

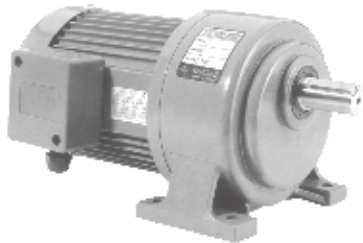


# GH型卧式单相、三相齿轮减速机

## GH Type: Horizontal gear speed reducer

### 1. GH系列型号规格表示方法举例

### 1. GH series model expressing example

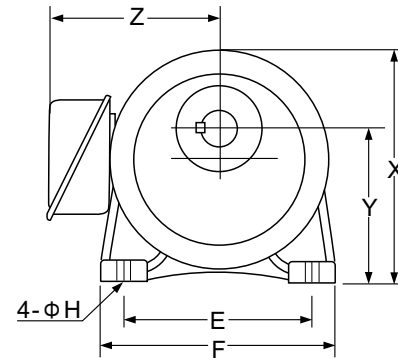
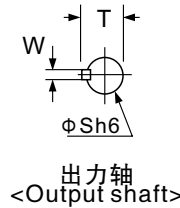
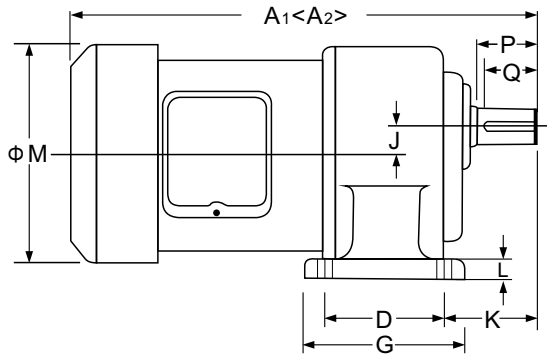


**GH - 22 - 200 - 60 - A - B**



### 2. 尺寸图表

### 2. Dimension sheets



Dimensions(mm)

| 马力<br>HP-4P     | 减速比<br>Gear Ratio | A1  | A2  | D   | E   | F   | G   | H  | L  | J    | K   | M   | X   | Y     | Z   | 出力轴<br>Output shaft |    |    |      |    | 重量<br>Kg |
|-----------------|-------------------|-----|-----|-----|-----|-----|-----|----|----|------|-----|-----|-----|-------|-----|---------------------|----|----|------|----|----------|
|                 |                   |     |     |     |     |     |     |    |    |      |     |     |     |       |     | P                   | Q  | S  | T    | W  |          |
| 75W<br>(1/10HP) | 3-200             | 250 | 250 | 40  | 110 | 135 | 65  | 9  | 10 | 16   | 50  | 127 | 138 | 88.5  | 110 | 30                  | 27 | 18 | 20   | 5  | 5.2      |
|                 | 250-1800          | 340 | 340 | 65  | 130 | 158 | 90  | 11 | 12 | 33.5 | 60  | 127 | 160 | 97.5  | 110 | 40                  | 35 | 22 | 25   | 7  | 6.8      |
| 100W<br>(1/8HP) | 3-50              | 250 | 270 | 40  | 110 | 135 | 65  | 9  | 10 | 16   | 50  | 127 | 138 | 88.5  | 110 | 30                  | 27 | 18 | 20   | 5  | 5.3      |
|                 | 60-200            | 280 | 300 | 65  | 130 | 158 | 90  | 11 | 12 | 17.5 | 60  | 127 | 160 | 97.5  | 110 | 40                  | 35 | 22 | 25   | 7  | 6.9      |
| 200W<br>(1/4HP) | 250-1800          | 370 | 390 | 90  | 140 | 180 | 120 | 11 | 15 | 39   | 68  | 127 | 180 | 116   | 110 | 45                  | 40 | 28 | 31   | 7  | 13       |
|                 | 3-10              | 270 | 290 | 40  | 110 | 135 | 65  | 9  | 10 | 16   | 50  | 127 | 138 | 88.5  | 110 | 30                  | 27 | 18 | 20   | 5  | 6.7      |
| 400W<br>(1/2HP) | 15-90             | 300 | 320 | 65  | 130 | 158 | 90  | 11 | 12 | 17.5 | 60  | 127 | 160 | 97.5  | 110 | 40                  | 35 | 22 | 25   | 7  | 8.6      |
|                 | 100-200           | 340 | 360 | 90  | 140 | 180 | 120 | 11 | 15 | 23   | 68  | 127 | 180 | 116   | 110 | 45                  | 40 | 28 | 31   | 7  | 11       |
|                 | 250-1800          | 460 | 480 | 130 | 170 | 210 | 160 | 13 | 20 | 47.5 | 70  | 127 | 210 | 138.5 | 110 | 55                  | 50 | 32 | 35.5 | 10 | 28       |
| 750W<br>(1HP)   | 3-10              | 320 | 330 | 65  | 130 | 158 | 90  | 11 | 12 | 17.5 | 60  | 127 | 160 | 97.5  | 110 | 40                  | 35 | 22 | 25   | 7  | 11       |
|                 | 15-90             | 350 | 360 | 90  | 140 | 180 | 120 | 11 | 15 | 23   | 68  | 127 | 180 | 116   | 110 | 45                  | 40 | 28 | 31   | 7  | 14       |
|                 | 100-200           | 380 | 390 | 130 | 170 | 210 | 160 | 13 | 20 | 30   | 70  | 127 | 210 | 138.5 | 110 | 55                  | 50 | 32 | 35.5 | 10 | 26       |
| 1500W<br>(2HP)  | 250-1800          | 510 | 520 | 150 | 210 | 260 | 200 | 15 | 23 | 59   | 85  | 127 | 250 | 160   | 110 | 65                  | 60 | 40 | 43.5 | 10 | 41       |
|                 | 3-25              | 380 | 410 | 90  | 140 | 180 | 120 | 11 | 15 | 23   | 68  | 165 | 180 | 116   | 125 | 45                  | 40 | 28 | 31   | 7  | 15       |
|                 | 30-120            | 410 | 430 | 130 | 170 | 210 | 160 | 13 | 20 | 30   | 70  | 165 | 210 | 138.5 | 125 | 55                  | 50 | 32 | 35.5 | 10 | 28       |
| 2200W<br>(3HP)  | 125-200           | 460 | 490 | 150 | 210 | 260 | 200 | 15 | 23 | 36   | 85  | 165 | 250 | 160   | 125 | 65                  | 60 | 40 | 43.5 | 10 | 42       |
|                 | 250-1800          | 630 | 660 | 170 | 265 | 330 | 230 | 19 | 30 | 74   | 116 | 165 | 306 | 200   | 125 | 80                  | 75 | 50 | 54   | 14 | 50       |
|                 | 3-25              | 440 | 490 | 130 | 170 | 210 | 160 | 13 | 20 | 30   | 70  | 190 | 210 | 138.5 | 135 | 55                  | 50 | 32 | 35.5 | 10 | 34       |
| 3700W<br>(5HP)  | 30-100            | 500 | 550 | 150 | 210 | 260 | 200 | 15 | 23 | 36   | 85  | 190 | 250 | 160   | 135 | 65                  | 60 | 40 | 43.5 | 10 | 47       |
|                 | 110-1800          | 550 | 600 | 170 | 265 | 330 | 230 | 19 | 30 | 51   | 116 | 190 | 306 | 200   | 135 | 80                  | 75 | 50 | 54   | 14 | 52       |
|                 | 3-60              | 510 |     | 150 | 210 | 260 | 200 | 15 | 23 | 36   | 85  | 210 | 250 | 160   | 150 | 65                  | 60 | 40 | 43.5 | 10 | 48       |
| 3700W<br>(5HP)  | 70-120            | 560 |     | 170 | 265 | 330 | 230 | 19 | 30 | 51   | 116 | 210 | 306 | 200   | 150 | 80                  | 75 | 50 | 54   | 14 | 55       |
|                 | 3-25              | 530 |     | 150 | 210 | 260 | 200 | 15 | 23 | 36   | 85  | 230 | 250 | 160   | 160 | 65                  | 60 | 40 | 43.5 | 10 | 50       |
| 3700W<br>(5HP)  | 30-60             | 580 |     | 170 | 265 | 330 | 230 | 19 | 30 | 51   | 116 | 230 | 306 | 200   | 160 | 80                  | 75 | 50 | 54   | 14 | 57       |

备注: A1: 三相马达尺寸 A1: 3-Phase Motor

A2: 单相马达尺寸 A2: 1-Phase Motor

\* 三相刹车马达尺寸同A1尺寸



# GV型立式单相、三相齿轮减速机

GV Type: Vertical gear speed reducer

## 1. GV系列型号规格表示方法举例

## 1. GV series model expressing example

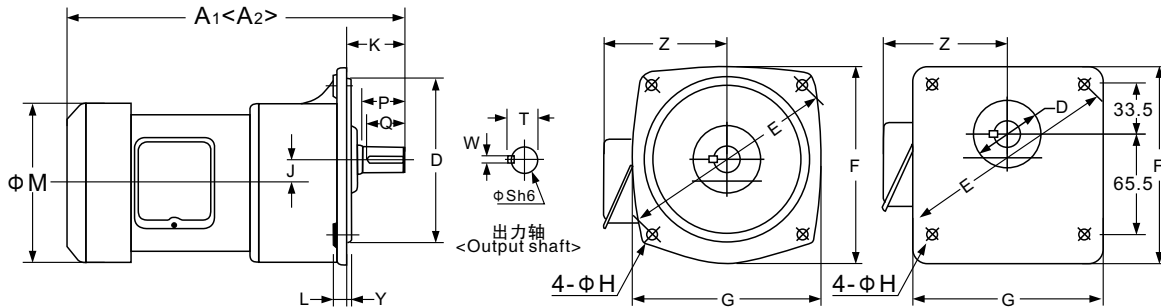


**GV - 22 - 200 - 90 - A - B**

- 刹车 (选用) BRAKE(Optional Function)
- A: 单相110/220V, 50/60HZ 1-Phase
- S: 三相220-380V, 50-60HZ 3-Phase
- 减速比: Gear Ratio 1:90
- 马力(W): 200 Watts 1/4HP
- 22: 出马轴22mm
- GV: 立式 Vertical Type

## 2. 尺寸图表

## 2. Dimension sheets



| 马力<br>HP-4P     | 减速比<br>Gear Ratio | A1  | A2  | D   | E   | F   | G   | H  | L  | J    | K  | M   | Y   | Z   | 出力轴<br>Output shaft |    |    |      |    | 重量<br>Kg |
|-----------------|-------------------|-----|-----|-----|-----|-----|-----|----|----|------|----|-----|-----|-----|---------------------|----|----|------|----|----------|
|                 |                   |     |     |     |     |     |     |    |    |      |    |     |     |     | P                   | Q  | S  | T    | W  |          |
| 75W<br>(1/10HP) | 3-200(A)          | 250 | 250 | 50  | 140 | 120 | 120 | 9  | 10 | 16   | 40 | 127 | 5   | 110 | 30                  | 27 | 18 | 20   | 5  | 5.2      |
|                 | 250-1800          | 340 | 340 | 148 | 185 | 165 | 165 | 11 | 12 | 33.5 | 50 | 127 | 3.5 | 110 | 40                  | 35 | 22 | 25   | 7  | 6.8      |
| 100W<br>(1/8HP) | 3-50(A)           | 250 | 270 | 50  | 140 | 142 | 120 | 9  | 10 | 16   | 40 | 127 | 5   | 110 | 30                  | 27 | 18 | 20   | 5  | 5.3      |
|                 | 60-200            | 280 | 300 | 148 | 185 | 165 | 165 | 11 | 12 | 17.5 | 50 | 127 | 3.5 | 110 | 40                  | 35 | 22 | 25   | 7  | 6.9      |
| 200W<br>(1/4HP) | 250-1800          | 370 | 390 | 170 | 220 | 195 | 195 | 11 | 13 | 39   | 60 | 127 | 4   | 110 | 45                  | 40 | 28 | 31   | 7  | 13       |
|                 | 3-10(A)           | 270 | 290 | 50  | 140 | 120 | 120 | 9  | 10 | 16   | 40 | 127 | 5   | 110 | 30                  | 27 | 18 | 20   | 5  | 6.7      |
|                 | 15-90             | 300 | 320 | 148 | 185 | 165 | 165 | 11 | 12 | 17.5 | 50 | 127 | 3.5 | 110 | 40                  | 35 | 22 | 25   | 7  | 8.6      |
| 400W<br>(1/2HP) | 100-200           | 340 | 360 | 170 | 220 | 195 | 195 | 11 | 13 | 23   | 60 | 127 | 4   | 110 | 45                  | 40 | 28 | 31   | 7  | 11       |
|                 | 250-1800          | 460 | 480 | 185 | 255 | 220 | 220 | 13 | 15 | 47.5 | 70 | 127 | 4   | 110 | 55                  | 50 | 32 | 35.5 | 10 | 28       |
|                 | 3-10              | 320 | 330 | 148 | 185 | 165 | 165 | 11 | 12 | 17.5 | 50 | 127 | 3.5 | 110 | 40                  | 35 | 22 | 25   | 7  | 11       |
| 750W<br>(1HP)   | 15-90             | 350 | 360 | 170 | 220 | 195 | 195 | 11 | 13 | 23   | 60 | 127 | 4   | 110 | 45                  | 40 | 28 | 31   | 7  | 14       |
|                 | 100-200           | 380 | 390 | 185 | 255 | 220 | 220 | 13 | 15 | 30   | 70 | 127 | 4   | 110 | 55                  | 50 | 32 | 35.5 | 10 | 26       |
|                 | 250-1800          | 510 | 520 | 230 | 310 | 265 | 265 | 15 | 20 | 59   | 85 | 127 | 5   | 110 | 65                  | 60 | 40 | 43.5 | 10 | 41       |
| 1500W<br>(2HP)  | 3-25              | 380 | 410 | 170 | 220 | 195 | 195 | 11 | 13 | 23   | 60 | 165 | 4   | 125 | 45                  | 40 | 28 | 31   | 7  | 15       |
|                 | 30-120            | 410 | 440 | 185 | 255 | 220 | 220 | 13 | 15 | 30   | 70 | 165 | 4   | 125 | 55                  | 50 | 32 | 35.5 | 10 | 28       |
|                 | 125-200           | 460 | 490 | 230 | 310 | 265 | 265 | 15 | 20 | 36   | 85 | 165 | 5   | 125 | 65                  | 60 | 40 | 43.5 | 10 | 42       |
| 2200W<br>(3HP)  | 250-1800          | 630 | 660 | 280 | 390 | 360 | 360 | 19 | 23 | 74   | 92 | 165 | 5   | 125 | 80                  | 75 | 50 | 54   | 14 | 50       |
|                 | 3-25              | 440 | 490 | 185 | 255 | 220 | 220 | 13 | 15 | 30   | 70 | 190 | 4   | 135 | 55                  | 50 | 32 | 35.5 | 10 | 34       |
|                 | 30-100            | 500 | 550 | 230 | 310 | 265 | 265 | 15 | 20 | 36   | 85 | 190 | 5   | 135 | 65                  | 60 | 40 | 43.5 | 10 | 47       |
| 3700W<br>(5HP)  | 110-1800          | 550 | 600 | 280 | 390 | 360 | 360 | 19 | 23 | 51   | 92 | 190 | 5   | 135 | 80                  | 75 | 50 | 54   | 14 | 52       |
|                 | 3-60              | 510 |     | 230 | 310 | 265 | 265 | 15 | 20 | 36   | 85 | 210 | 5   | 150 | 65                  | 60 | 40 | 43.5 | 10 | 48       |
|                 | 70-120            | 560 |     | 280 | 390 | 360 | 360 | 19 | 23 | 51   | 92 | 210 | 5   | 150 | 80                  | 75 | 50 | 54   | 14 | 55       |
| 3700W<br>(5HP)  | 3-25              | 530 |     | 230 | 310 | 260 | 260 | 15 | 20 | 36   | 85 | 210 | 5   | 160 | 65                  | 60 | 40 | 43.5 | 10 | 50       |
|                 | 30-60             | 580 |     | 280 | 390 | 360 | 360 | 19 | 23 | 51   | 92 | 210 | 5   | 160 | 80                  | 75 | 50 | 54   | 14 | 57       |

备注: A1: 三相马达尺寸 A1: 3-Phase Motor

A2: 单相马达尺寸 A2: 1-Phase Motor

\* 三相刹车马达尺寸同A1尺寸