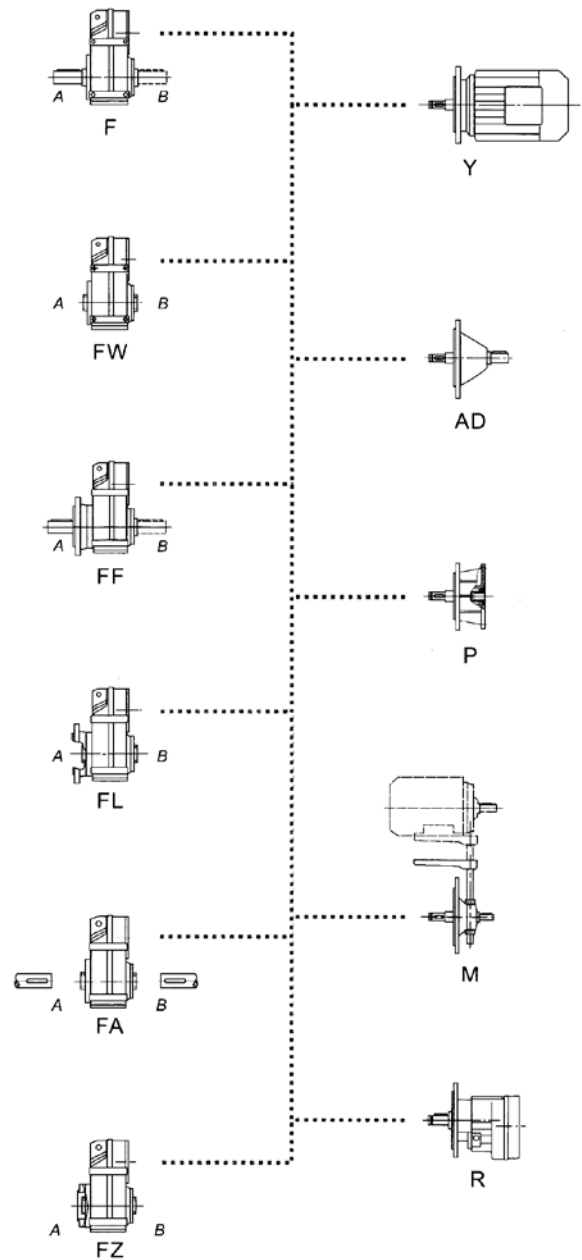
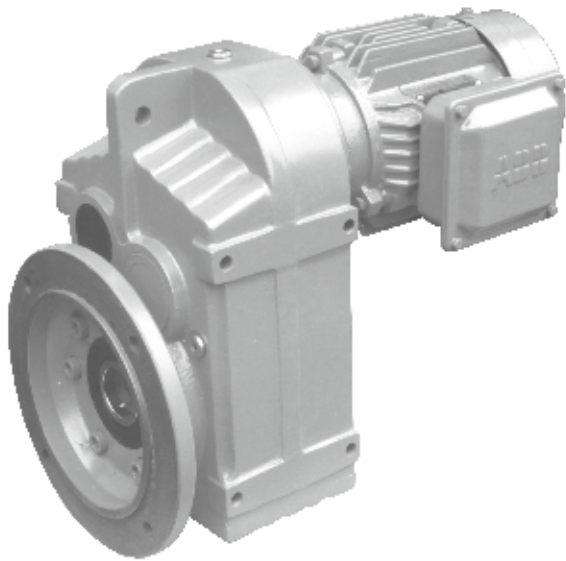




# F系列斜齿轮减速机

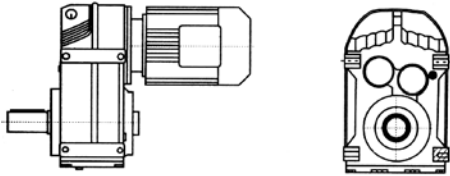
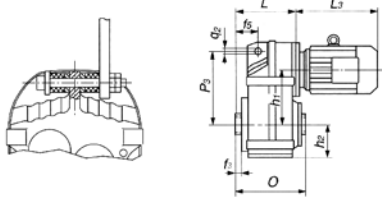
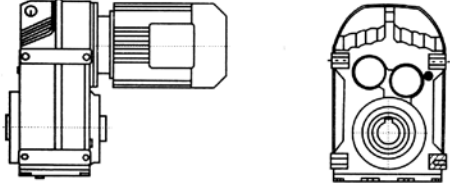
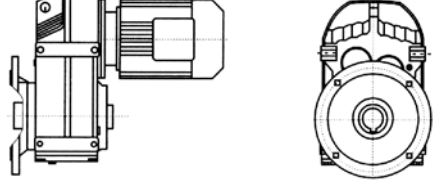
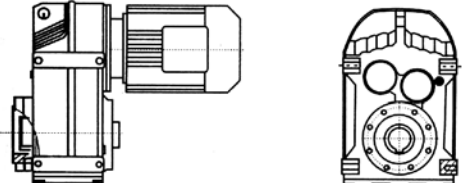
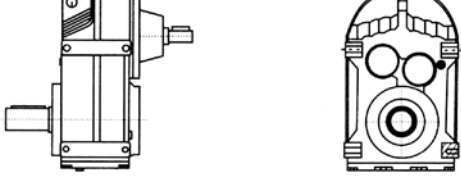
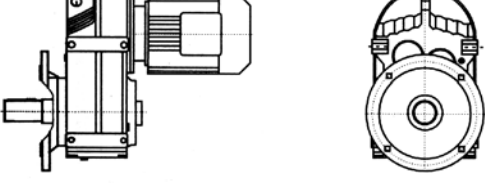
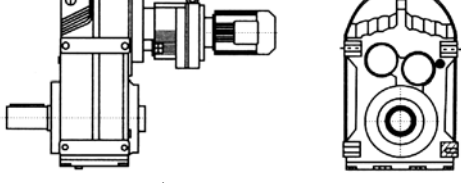

## F Series helical gear units





F系列组合设计方案

F series speed reducer has following design proposal

|  |   |
|--|---|
|  <p>F..Y..<br/>底脚轴伸式安装平行轴斜齿轮减速机<br/>The installation of parallel axis of feet stretched helical gear reducer.</p>                           |  <p>FA/T<br/>扭力臂式<br/>Torque arm</p>  |
|  <p>FW..Y..<br/>空心轴安装平行轴斜齿轮减速机<br/>Hollow shaft installed parallel axis inclined gear reducer.</p>  |  <p>FL..Y..<br/>法兰空心轴安装平行轴斜齿轮减速机<br/>Installation of flange hollow shafts parallel axis helical gear reducer.</p> |
|  <p>FAZ..Y..<br/>小法兰空心轴安装平行轴斜齿轮减速机<br/>Small flange hollow shaft installed helical gear reducer parallel axis.</p>                        |  <p>F(FF、FW、FL、FAZ)S..<br/>轴输入的平行轴斜齿轮减速机<br/>Axis parallel axis of the input helical gear reducer.</p>          |
|  <p>FF..Y..<br/>法兰轴伸式安装平行轴斜齿轮减速机<br/>Installation of flange axle stretch of parallel axis inclined gear reducer.</p>                      |  <p>F(FF、FW、FL、FAZ)..R..Y..<br/>组合式平行轴斜齿轮减速机<br/>Modular parallel axis inclined gear reducer.</p>               |
|  <p>F(FF、FW、FL、FAZ)...ZP(63, 71, 80...)<br/>电机用户自配或配特殊电机时需加联接法兰<br/>Motor with user or special motor connecting flange when required.</p> |   |



### 1. F系列三级斜齿轮减速机概述

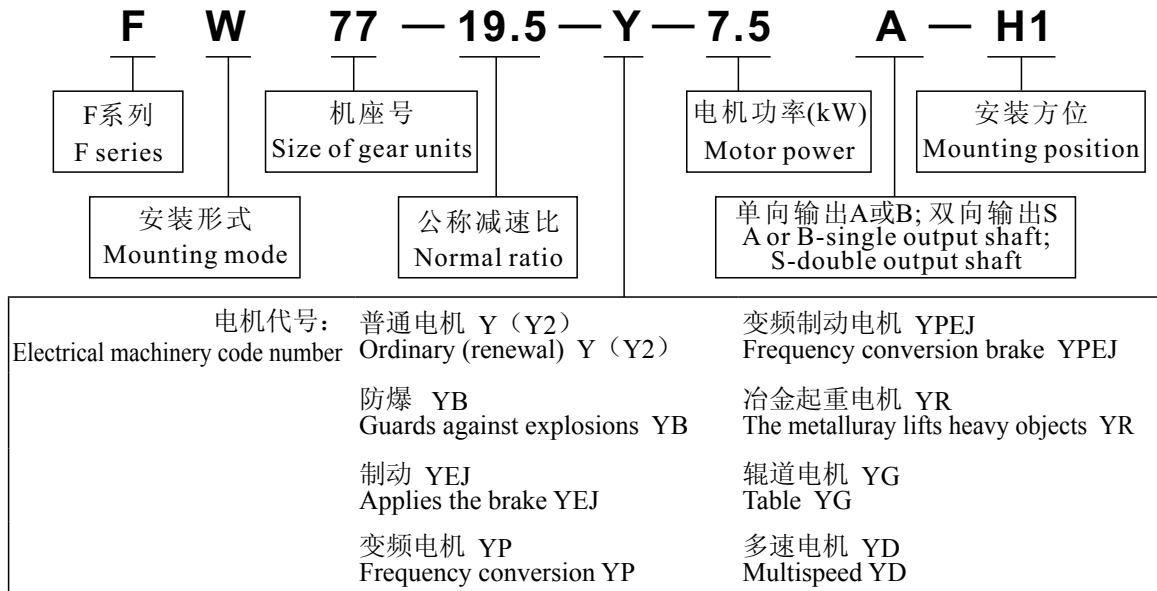
- 1.1 平行输出、结构紧凑、传递扭矩大、工作平稳、噪音低、寿命长。
- 1.2 安装方式：底座安装、法兰安装、扭力臂安装。
- 1.3 减速比：基本型二级4.3-25.3，三级28.2-273，组合至18509。
- 1.4 基本型二级输入输出旋转方向相同，三级相反；组合时另咨询。
- 1.5 输出方式：空心轴输出或实心轴输出。
- 1.6 平均效率：二级96%、三级94%、F/R平均效率85%。

### 1. F series Parallel shaft Helical gear units overview

- 1.1 Parallel output, structure compact, carrying greater torque, operation stable, voice low, lifetime long.
- 1.2 Mounting mode: foot-mounted, flange-mounted, torque arm-mounted.
- 1.3 Ratio: ratio of 2-stage is 8.1-9.1, ratio of 3-stage is 28.2-273, ratio of combination is up to 18509.
- 1.4 For 2-stage basic type geared, rotation direction of input shaft is the same that of output shaft; for 3-stage basic type geared, their directions are reverse; for combination, please contact Boneng.
- 1.5 Output mode: hollow shaft output or solid shaft output.
- 1.6 Average efficiency: 2-stage 96%, 3-stage 94%, F/R 85%.

### 2. F系列型号规格表示方法举例

### 2. F series model expressing example



### 3. 选型要点:

选择F系列斜齿轮减速电机的型号时，必须明确减速电机的使用系数 $f_B$ (见下表)、输出转速及电机功率。而使用系数 $f_B$ 则综合表达了工作母机的应用及工作状况。如果要使减速机的齿轮经久耐用，那么工作母机的实际使用系数 $f_{BL}$ (见下表)应小于 $f_B$

使用系数选择原则： $f_{BL} < f_B$   
 $f_B$  减速电机的最大允许使用系数  
 $f_{BL}$  工作母机的实际使用系数

$f_{BL}$

| 每天运行时间<br>Running hours per day    | 四小时<br>4 hours |        |      | 八小时<br>8 hours |        |      | 十六小时<br>16 hours |        |      | 二十四小时<br>24 hours |        |      |
|------------------------------------|----------------|--------|------|----------------|--------|------|------------------|--------|------|-------------------|--------|------|
| 每小时起停次数<br>Start-up times per hour | <10            | 10-200 | <200 | <10            | 10-200 | <200 | <10              | 10-200 | <200 | <10               | 10-200 | <200 |
| 均匀载荷 I<br>Even load I              | -              | 0.8    | 1    | 0.9            | 1      | 1.1  | 1                | 1.1    | 1.2  | 1.2               | 1.3    | 1.5  |
| 中等载荷 II<br>Moderate load II        | 1              | 1.1    | 1.3  | 1.1            | 1.2    | 1.3  | 1.2              | 1.4    | 1.5  | 1.4               | 1.5    | 1.6  |
| 强冲击载荷 III<br>Violent load III      | 1.3            | 1.4    | 1.5  | 1.4            | 1.5    | 1.6  | 1.5              | 1.6    | 1.7  | 1.6               | 1.7    | 1.8  |

### 3. Outline of type selection:

One must be clear about the usage parameters  $f_B$ (See combination type table), output speed and power of different types motor in selection. The usage parameters give a comprehensive explanation of machine tools' performance. The actual usage parameter of machine tools  $f_{BL}$  should be less than  $f_B$  in order to make the gear wear well.

The point of usage parameter selection:  $f_{BL} < f_B$   
 $f_B$ : the max permissible usage parameter of motor  
 $f_{BL}$ : the actual usage parameter of machine tools



#### 4. 选型参数表

#### 4. Type selection parameter table

| 输出转速<br>r/min | 输出扭矩<br>Nm | 传动比<br>i | 使用系数<br>f <sub>B</sub> | 机型号<br>Type | 极数<br>p | 输出转速<br>r/min | 输出扭矩<br>Nm | 传动比<br>i | 使用系数<br>f <sub>B</sub> | 机型号<br>Type | 极数<br>p |         |      |         |      |         |      |         |      |          |      |         |      |          |      |         |      |          |      |         |      |          |      |         |      |          |      |         |      |         |      |         |      |         |      |         |      |         |      |         |      |         |      |         |      |         |      |         |      |         |      |         |      |         |      |         |      |         |      |         |      |         |      |         |      |         |      |         |      |         |      |         |      |         |      |        |      |         |      |         |      |         |      |         |      |         |      |         |      |         |      |         |      |         |      |         |      |         |      |         |      |         |      |         |      |         |      |         |      |         |      |         |      |         |      |         |      |         |      |         |      |         |      |         |      |         |      |         |      |         |      |         |      |        |      |         |      |         |      |        |      |         |      |         |      |         |      |        |      |        |      |         |      |         |      |        |      |        |      |         |      |         |      |        |      |        |      |         |      |         |      |        |      |        |      |         |      |         |      |         |      |         |      |         |      |         |      |         |      |         |      |         |      |         |      |         |      |         |      |         |      |        |      |         |      |        |      |         |      |        |      |        |      |        |      |        |      |        |      |        |      |        |      |        |      |        |      |         |      |        |      |         |      |        |      |         |      |        |      |         |      |         |      |         |      |        |      |        |      |        |      |         |      |         |      |        |      |         |      |        |      |        |      |        |      |         |      |         |      |        |      |        |      |        |      |        |      |         |      |        |      |         |      |         |      |         |      |         |      |        |      |         |      |        |      |        |      |        |      |        |      |        |      |         |      |        |      |        |      |        |      |        |      |        |      |        |      |        |      |        |      |        |      |        |      |        |     |        |      |        |      |        |     |        |      |        |      |        |      |        |      |        |      |        |      |        |      |        |      |        |      |        |      |        |      |        |      |        |      |        |     |        |      |        |      |        |      |        |      |        |      |        |     |        |      |        |      |        |      |        |      |        |      |        |      |        |      |        |      |        |      |        |      |        |     |        |     |        |      |        |     |        |      |        |      |        |     |        |     |        |     |        |     |        |     |        |     |        |     |        |     |        |      |        |     |        |     |        |      |        |      |        |     |        |      |        |     |        |      |        |      |        |     |        |      |        |      |        |      |        |     |        |      |        |      |        |      |        |      |        |      |        |     |        |      |        |      |        |      |        |      |        |     |        |     |
|---------------|------------|----------|------------------------|-------------|---------|---------------|------------|----------|------------------------|-------------|---------|---------|------|---------|------|---------|------|---------|------|----------|------|---------|------|----------|------|---------|------|----------|------|---------|------|----------|------|---------|------|----------|------|---------|------|---------|------|---------|------|---------|------|---------|------|---------|------|---------|------|---------|------|---------|------|---------|------|---------|------|---------|------|---------|------|---------|------|---------|------|---------|------|---------|------|---------|------|---------|------|---------|------|---------|------|---------|------|---------|------|---------|------|--------|------|---------|------|---------|------|---------|------|---------|------|---------|------|---------|------|---------|------|---------|------|---------|------|---------|------|---------|------|---------|------|---------|------|---------|------|---------|------|---------|------|---------|------|---------|------|---------|------|---------|------|---------|------|---------|------|---------|------|---------|------|---------|------|---------|------|---------|------|---------|------|--------|------|---------|------|---------|------|--------|------|---------|------|---------|------|---------|------|--------|------|--------|------|---------|------|---------|------|--------|------|--------|------|---------|------|---------|------|--------|------|--------|------|---------|------|---------|------|--------|------|--------|------|---------|------|---------|------|---------|------|---------|------|---------|------|---------|------|---------|------|---------|------|---------|------|---------|------|---------|------|---------|------|---------|------|--------|------|---------|------|--------|------|---------|------|--------|------|--------|------|--------|------|--------|------|--------|------|--------|------|--------|------|--------|------|--------|------|---------|------|--------|------|---------|------|--------|------|---------|------|--------|------|---------|------|---------|------|---------|------|--------|------|--------|------|--------|------|---------|------|---------|------|--------|------|---------|------|--------|------|--------|------|--------|------|---------|------|---------|------|--------|------|--------|------|--------|------|--------|------|---------|------|--------|------|---------|------|---------|------|---------|------|---------|------|--------|------|---------|------|--------|------|--------|------|--------|------|--------|------|--------|------|---------|------|--------|------|--------|------|--------|------|--------|------|--------|------|--------|------|--------|------|--------|------|--------|------|--------|------|--------|-----|--------|------|--------|------|--------|-----|--------|------|--------|------|--------|------|--------|------|--------|------|--------|------|--------|------|--------|------|--------|------|--------|------|--------|------|--------|------|--------|------|--------|-----|--------|------|--------|------|--------|------|--------|------|--------|------|--------|-----|--------|------|--------|------|--------|------|--------|------|--------|------|--------|------|--------|------|--------|------|--------|------|--------|------|--------|-----|--------|-----|--------|------|--------|-----|--------|------|--------|------|--------|-----|--------|-----|--------|-----|--------|-----|--------|-----|--------|-----|--------|-----|--------|-----|--------|------|--------|-----|--------|-----|--------|------|--------|------|--------|-----|--------|------|--------|-----|--------|------|--------|------|--------|-----|--------|------|--------|------|--------|------|--------|-----|--------|------|--------|------|--------|------|--------|------|--------|------|--------|-----|--------|------|--------|------|--------|------|--------|------|--------|-----|--------|-----|
| <b>0.18kW</b> |            |          |                        |             |         | <b>0.18kW</b> |            |          |                        |             |         |         |      |         |      |         |      |         |      |          |      |         |      |          |      |         |      |          |      |         |      |          |      |         |      |          |      |         |      |         |      |         |      |         |      |         |      |         |      |         |      |         |      |         |      |         |      |         |      |         |      |         |      |         |      |         |      |         |      |         |      |         |      |         |      |         |      |         |      |         |      |         |      |         |      |        |      |         |      |         |      |         |      |         |      |         |      |         |      |         |      |         |      |         |      |         |      |         |      |         |      |         |      |         |      |         |      |         |      |         |      |         |      |         |      |         |      |         |      |         |      |         |      |         |      |         |      |         |      |         |      |         |      |        |      |         |      |         |      |        |      |         |      |         |      |         |      |        |      |        |      |         |      |         |      |        |      |        |      |         |      |         |      |        |      |        |      |         |      |         |      |        |      |        |      |         |      |         |      |         |      |         |      |         |      |         |      |         |      |         |      |         |      |         |      |         |      |         |      |         |      |        |      |         |      |        |      |         |      |        |      |        |      |        |      |        |      |        |      |        |      |        |      |        |      |        |      |         |      |        |      |         |      |        |      |         |      |        |      |         |      |         |      |         |      |        |      |        |      |        |      |         |      |         |      |        |      |         |      |        |      |        |      |        |      |         |      |         |      |        |      |        |      |        |      |        |      |         |      |        |      |         |      |         |      |         |      |         |      |        |      |         |      |        |      |        |      |        |      |        |      |        |      |         |      |        |      |        |      |        |      |        |      |        |      |        |      |        |      |        |      |        |      |        |      |        |     |        |      |        |      |        |     |        |      |        |      |        |      |        |      |        |      |        |      |        |      |        |      |        |      |        |      |        |      |        |      |        |      |        |     |        |      |        |      |        |      |        |      |        |      |        |     |        |      |        |      |        |      |        |      |        |      |        |      |        |      |        |      |        |      |        |      |        |     |        |     |        |      |        |     |        |      |        |      |        |     |        |     |        |     |        |     |        |     |        |     |        |     |        |     |        |      |        |     |        |     |        |      |        |      |        |     |        |      |        |     |        |      |        |      |        |     |        |      |        |      |        |      |        |     |        |      |        |      |        |      |        |      |        |      |        |     |        |      |        |      |        |      |        |      |        |     |        |     |
| 0.11          | 14324      | 13014    | 0.79                   | F 127R77    | 4       | 2.5           | 616        | 560      | 0.92                   | F 57R37     | 4       |         |      |         |      |         |      |         |      |          |      |         |      |          |      |         |      |          |      |         |      |          |      |         |      |          |      |         |      |         |      |         |      |         |      |         |      |         |      |         |      |         |      |         |      |         |      |         |      |         |      |         |      |         |      |         |      |         |      |         |      |         |      |         |      |         |      |         |      |         |      |         |      |         |      |        |      |         |      |         |      |         |      |         |      |         |      |         |      |         |      |         |      |         |      |         |      |         |      |         |      |         |      |         |      |         |      |         |      |         |      |         |      |         |      |         |      |         |      |         |      |         |      |         |      |         |      |         |      |         |      |         |      |        |      |         |      |         |      |        |      |         |      |         |      |         |      |        |      |        |      |         |      |         |      |        |      |        |      |         |      |         |      |        |      |        |      |         |      |         |      |        |      |        |      |         |      |         |      |         |      |         |      |         |      |         |      |         |      |         |      |         |      |         |      |         |      |         |      |         |      |        |      |         |      |        |      |         |      |        |      |        |      |        |      |        |      |        |      |        |      |        |      |        |      |        |      |         |      |        |      |         |      |        |      |         |      |        |      |         |      |         |      |         |      |        |      |        |      |        |      |         |      |         |      |        |      |         |      |        |      |        |      |        |      |         |      |         |      |        |      |        |      |        |      |        |      |         |      |        |      |         |      |         |      |         |      |         |      |        |      |         |      |        |      |        |      |        |      |        |      |        |      |         |      |        |      |        |      |        |      |        |      |        |      |        |      |        |      |        |      |        |      |        |      |        |     |        |      |        |      |        |     |        |      |        |      |        |      |        |      |        |      |        |      |        |      |        |      |        |      |        |      |        |      |        |      |        |      |        |     |        |      |        |      |        |      |        |      |        |      |        |     |        |      |        |      |        |      |        |      |        |      |        |      |        |      |        |      |        |      |        |      |        |     |        |     |        |      |        |     |        |      |        |      |        |     |        |     |        |     |        |     |        |     |        |     |        |     |        |     |        |      |        |     |        |     |        |      |        |      |        |     |        |      |        |     |        |      |        |      |        |     |        |      |        |      |        |      |        |     |        |      |        |      |        |      |        |      |        |      |        |     |        |      |        |      |        |      |        |      |        |     |        |     |
| 0.12          | 12930      | 11748    | 0.87                   |             |         | 0.14          | 11305      | 10271    | 1.00                   |             |         | 0.16    | 9797 | 8901    | 1.15 | 0.18    | 8478 | 7703    | 1.33 | 0.21     | 7449 | 6768    | 1.51 | 3.6      | 426  | 387     | 1.32 | 4.2      | 363  | 330     | 1.55 | 0.16     | 9408 | 8548    | 0.78 | F 107R77 | 4    | 3.3     | 469  | 426     | 1.20 | F 57R37 | 4    | 0.18    | 8448 | 7675    | 0.87 | 0.21    | 7281 | 6615    | 1.01 | 0.24    | 6406 | 5820    | 1.15 | 0.27    | 5749 | 5223    | 1.28 | 0.30    | 5027 | 4567    | 1.47 | 0.39    | 3875 | 3521    | 1.90 | 0.46    | 3343 | 3037    | 2.2  | 0.50    | 3033 | 2756    | 2.4  | 0.59    | 2607 | 2369    | 2.8  | 0.67    | 2276 | 2068    | 3.2  | 4.7     | 328  | 298    | 1.72 | 5.3     | 288  | 262     | 1.96 | 6.2     | 249  | 226     | 2.3  | 7.0     | 220  | 300     | 2.6  | 0.32    | 4815 | 4375    | 0.84 | F 97R57 | 4    | 4.1     | 371  | 337     | 1.01 | F 47R17 | 4    | 0.35    | 4343 | 3946    | 0.9  | 0.41    | 3743 | 3401    | 1.1  | 0.47    | 3246 | 2949    | 1.2  | 0.54    | 2851 | 2590    | 1.4  | 0.61    | 2495 | 2267    | 1.6  | 0.70    | 2189 | 1989    | 1.8  | 0.80    | 1914 | 1739    | 2.1  | 0.90    | 1697 | 1542    | 2.4  | 1.0    | 1475 | 1340    | 2.7  | 1.2     | 1301 | 1182   | 3.1  | 6.0     | 253  | 230     | 1.49 | 6.4     | 238  | 216    | 1.58 | 7.4    | 207  | 188     | 1.82 | 7.9     | 194  | 176    | 1.94 | 0.48   | 3171 | 2881    | 0.9  | F 87R57 | 4    | 8.2    | 187  | 170    | 1.00 | F 37R17 | 4    | 0.54    | 2834 | 2575   | 1.0  | 0.63   | 2420 | 2199    | 1.2  | 0.72    | 2124 | 1930    | 1.3  | 0.81    | 1881 | 1709    | 1.5  | 0.93    | 1643 | 1493    | 1.7  | 1.1     | 1431 | 1300    | 2.0  | 1.2     | 1264 | 1148    | 2.2  | 1.4     | 1112 | 1010    | 2.5  | 1.6    | 976  | 887     | 2.9  | 1.8    | 859  | 780     | 3.3  | 8.3    | 185  | 168    | 1.02 | 10     | 146  | 133    | 1.28 | 11     | 142  | 129    | 1.32 | 3.0    | 536  | 281.71 | 2.6  | F 77   | 6    | 3.2     | 500  | 262.93 | 2.8  | 3.8     | 429  | 225.79 | 3.3  | 0.8     | 1902 | 1728   | 0.7  | F 77R37 | 4    | 3.7     | 435  | 228.99  | 1.77 | F 67   | 6    | 0.9    | 1698 | 1543   | 0.8  | 1.0     | 1490 | 1354    | 0.9  | 1.2    | 1316 | 1196    | 1.1  | 1.3    | 1156 | 1050   | 1.2  | 1.5    | 998  | 907     | 1.4  | 1.7     | 892  | 810    | 1.6  | 2.0    | 781  | 710    | 1.8  | 2.3    | 660  | 600     | 2.1  | 4.4    | 371  | 195.39  | 2.1  | 5.0     | 325  | 170.85  | 2.4  | 6.1     | 266  | 228.99 | 2.9  | F 67    | 4    | 7.1    | 227  | 195.39 | 3.4  | 8.1    | 199  | 170.85 | 3.9  | 4.3    | 380  | 199.70  | 1.49 | F 57   | 6    | 4.6    | 349  | 183.60 | 1.62 | 5.4    | 299  | 157.09 | 1.89 | 6.2    | 259  | 136.16 | 2.2  | 6.7    | 242  | 127.27 | 2.3  | 7.7    | 209  | 110.01 | 2.7 | 7.0    | 232  | 199.70 | 2.4  | F 57   | 4   | 7.6    | 213  | 183.60 | 2.6  | 8.8    | 183  | 157.09 | 3.1  | 10     | 158  | 136.16 | 3.6  | 11     | 148  | 127.27 | 3.8  | 4.5    | 360  | 189.39 | 1.0  | F 47   | 6    | 4.9    | 331  | 174.13 | 1.1  | 5.7    | 283 | 148.98 | 1.3  | 6.6    | 245  | 129.14 | 1.5  | 7.0    | 229  | 120.70 | 2.5  | 7.3    | 220 | 189.39 | 1.71 | F 47   | 4    | 8.0    | 202  | 174.13 | 1.86 | 9.3    | 173  | 148.98 | 2.2  | 11     | 150  | 129.14 | 2.5  | 12     | 140  | 120.70 | 2.7  |        |     |        |     |        |      |        |     |        |      |        |      |        |     |        |     |        |     |        |     |        |     |        |     |        |     |        |     |        |      |        |     |        |     |        |      |        |      |        |     |        |      |        |     |        |      |        |      |        |     |        |      |        |      |        |      |        |     |        |      |        |      |        |      |        |      |        |      |        |     |        |      |        |      |        |      |        |      |        |     |        |     |
| 0.14          | 11305      | 10271    | 1.00                   |             |         | 0.16          | 9797       | 8901     | 1.15                   |             |         | 0.18    | 8478 | 7703    | 1.33 | 0.21    | 7449 | 6768    | 1.51 | 3.6      | 426  | 387     | 1.32 | 4.2      | 363  | 330     | 1.55 | 0.16     | 9408 | 8548    | 0.78 | F 107R77 | 4    | 3.3     | 469  |          |      | 426     | 1.20 | F 57R37 | 4    |         |      | 0.18    | 8448 | 7675    | 0.87 | 0.21    | 7281 | 6615    | 1.01 | 0.24    | 6406 | 5820    | 1.15 | 0.27    | 5749 | 5223    | 1.28 | 0.30    | 5027 | 4567    | 1.47 | 0.39    | 3875 | 3521    | 1.90 | 0.46    | 3343 | 3037    | 2.2  | 0.50    | 3033 | 2756    | 2.4  | 0.59    | 2607 | 2369    | 2.8  | 0.67    | 2276 | 2068    | 3.2  | 4.7     | 328  | 298    | 1.72 | 5.3     | 288  | 262     | 1.96 | 6.2     | 249  | 226     | 2.3  | 7.0     | 220  | 300     | 2.6  | 0.32    | 4815 | 4375    | 0.84 |         |      | F 97R57 | 4    | 4.1     | 371  |         |      | 337     | 1.01 | F 47R17 | 4    | 0.35    | 4343 | 3946    | 0.9  | 0.41    | 3743 | 3401    | 1.1  | 0.47    | 3246 | 2949    | 1.2  | 0.54    | 2851 | 2590    | 1.4  | 0.61    | 2495 | 2267    | 1.6  | 0.70    | 2189 | 1989    | 1.8  | 0.80    | 1914 | 1739    | 2.1  | 0.90   | 1697 | 1542    | 2.4  | 1.0     | 1475 | 1340   | 2.7  | 1.2     | 1301 | 1182    | 3.1  | 6.0     | 253  | 230    | 1.49 | 6.4    | 238  | 216     | 1.58 | 7.4     | 207  | 188    | 1.82 | 7.9    | 194  | 176     | 1.94 |         |      | 0.48   | 3171 | 2881   | 0.9  |         |      | F 87R57 | 4    | 8.2    | 187  | 170    | 1.00 | F 37R17 | 4    | 0.54    | 2834 | 2575    | 1.0  | 0.63    | 2420 | 2199    | 1.2  | 0.72    | 2124 | 1930    | 1.3  | 0.81    | 1881 | 1709    | 1.5  | 0.93    | 1643 | 1493    | 1.7  | 1.1     | 1431 | 1300    | 2.0  | 1.2    | 1264 | 1148    | 2.2  | 1.4    | 1112 | 1010    | 2.5  | 1.6    | 976  | 887    | 2.9  | 1.8    | 859  | 780    | 3.3  | 8.3    | 185  | 168    | 1.02 | 10     | 146  | 133    | 1.28 |        |      | 11      | 142  | 129    | 1.32 | 3.0     | 536  | 281.71 | 2.6  | F 77    | 6    | 3.2    | 500  |         |      | 262.93  | 2.8  | 3.8     | 429  |        |      | 225.79 | 3.3  | 0.8    | 1902 | 1728    | 0.7  | F 77R37 | 4    | 3.7    | 435  | 228.99  | 1.77 | F 67   | 6    | 0.9    | 1698 | 1543   | 0.8  | 1.0     | 1490 | 1354    | 0.9  | 1.2    | 1316 | 1196   | 1.1  | 1.3    | 1156 | 1050   | 1.2  | 1.5     | 998  | 907    | 1.4  | 1.7     | 892  | 810     | 1.6  | 2.0     | 781  | 710     | 1.8  | 2.3    | 660  |         |      | 600    | 2.1  | 4.4    | 371  | 195.39 | 2.1  | 5.0    | 325  | 170.85 | 2.4  | 6.1     | 266  |        |      | 228.99 | 2.9  | F 67   | 4    | 7.1    | 227  | 195.39 | 3.4  | 8.1    | 199  | 170.85 | 3.9  | 4.3    | 380  | 199.70 | 1.49 | F 57   | 6    | 4.6    | 349 | 183.60 | 1.62 | 5.4    | 299  |        |     | 157.09 | 1.89 | 6.2    | 259  | 136.16 | 2.2  | 6.7    | 242  | 127.27 | 2.3  | 7.7    | 209  | 110.01 | 2.7  | 7.0    | 232  | 199.70 | 2.4  | F 57   | 4    |        |      | 7.6    | 213  | 183.60 | 2.6  | 8.8    | 183 | 157.09 | 3.1  | 10     | 158  | 136.16 | 3.6  | 11     | 148  | 127.27 | 3.8  | 4.5    | 360 | 189.39 | 1.0  |        |      | F 47   | 6    | 4.9    | 331  | 174.13 | 1.1  | 5.7    | 283  | 148.98 | 1.3  | 6.6    | 245  | 129.14 | 1.5  | 7.0    | 229  | 120.70 | 2.5 | 7.3    | 220 | 189.39 | 1.71 | F 47   | 4   | 8.0    | 202  | 174.13 | 1.86 | 9.3    | 173 | 148.98 | 2.2 | 11     | 150 | 129.14 | 2.5 | 12     | 140 | 120.70 | 2.7 |        |     |        |     |        |      |        |     |        |     |        |      |        |      |        |     |        |      |        |     |        |      |        |      |        |     |        |      |        |      |        |      |        |     |        |      |        |      |        |      |        |      |        |      |        |     |        |      |        |      |        |      |        |      |        |     |        |     |
| 0.16          | 9797       | 8901     | 1.15                   |             |         | 0.18          | 8478       | 7703     | 1.33                   |             |         | 0.21    | 7449 | 6768    | 1.51 | 3.6     | 426  | 387     | 1.32 | 4.2      | 363  | 330     | 1.55 | 0.16     | 9408 | 8548    | 0.78 | F 107R77 | 4    | 3.3     | 469  |          |      | 426     | 1.20 |          |      | F 57R37 | 4    |         |      |         |      | 0.18    | 8448 | 7675    | 0.87 | 0.21    | 7281 | 6615    | 1.01 | 0.24    | 6406 | 5820    | 1.15 | 0.27    | 5749 | 5223    | 1.28 | 0.30    | 5027 | 4567    | 1.47 | 0.39    | 3875 | 3521    | 1.90 | 0.46    | 3343 | 3037    | 2.2  | 0.50    | 3033 | 2756    | 2.4  | 0.59    | 2607 | 2369    | 2.8  | 0.67    | 2276 | 2068    | 3.2  | 4.7     | 328  | 298    | 1.72 | 5.3     | 288  | 262     | 1.96 | 6.2     | 249  | 226     | 2.3  | 7.0     | 220  | 300     | 2.6  | 0.32    | 4815 | 4375    | 0.84 |         |      |         |      | F 97R57 | 4    |         |      | 4.1     | 371  |         |      | 337     | 1.01 | F 47R17 | 4    | 0.35    | 4343 | 3946    | 0.9  | 0.41    | 3743 | 3401    | 1.1  | 0.47    | 3246 | 2949    | 1.2  | 0.54    | 2851 | 2590    | 1.4  | 0.61    | 2495 | 2267    | 1.6  | 0.70    | 2189 | 1989    | 1.8  | 0.80   | 1914 | 1739    | 2.1  | 0.90    | 1697 | 1542   | 2.4  | 1.0     | 1475 | 1340    | 2.7  | 1.2     | 1301 | 1182   | 3.1  | 6.0    | 253  | 230     | 1.49 | 6.4     | 238  | 216    | 1.58 | 7.4    | 207  | 188     | 1.82 |         |      | 7.9    | 194  | 176    | 1.94 |         |      |         |      | 0.48   | 3171 | 2881   | 0.9  |         |      | F 87R57 | 4    | 8.2     | 187  | 170     | 1.00 | F 37R17 | 4    | 0.54    | 2834 | 2575    | 1.0  | 0.63    | 2420 | 2199    | 1.2  | 0.72    | 2124 | 1930    | 1.3  | 0.81    | 1881 | 1709    | 1.5  | 0.93   | 1643 | 1493    | 1.7  | 1.1    | 1431 | 1300    | 2.0  | 1.2    | 1264 | 1148   | 2.2  | 1.4    | 1112 | 1010   | 2.5  | 1.6    | 976  | 887    | 2.9  | 1.8    | 859  | 780    | 3.3  |        |      | 8.3     | 185  | 168    | 1.02 | 10      | 146  | 133    | 1.28 |         |      | 11     | 142  |         |      | 129     | 1.32 | 3.0     | 536  |        |      | 281.71 | 2.6  | F 77   | 6    | 3.2     | 500  |         |      | 262.93 | 2.8  | 3.8     | 429  |        |      | 225.79 | 3.3  | 0.8    | 1902 | 1728    | 0.7  | F 77R37 | 4    | 3.7    | 435  | 228.99 | 1.77 | F 67   | 6    | 0.9    | 1698 | 1543    | 0.8  | 1.0    | 1490 | 1354    | 0.9  | 1.2     | 1316 | 1196    | 1.1  | 1.3     | 1156 | 1050   | 1.2  |         |      | 1.5    | 998  | 907    | 1.4  | 1.7    | 892  | 810    | 1.6  | 2.0    | 781  | 710     | 1.8  |        |      | 2.3    | 660  |        |      | 600    | 2.1  | 4.4    | 371  | 195.39 | 2.1  | 5.0    | 325  | 170.85 | 2.4  | 6.1    | 266  |        |      | 228.99 | 2.9 | F 67   | 4    | 7.1    | 227  |        |     | 195.39 | 3.4  | 8.1    | 199  | 170.85 | 3.9  | 4.3    | 380  | 199.70 | 1.49 | F 57   | 6    | 4.6    | 349  | 183.60 | 1.62 | 5.4    | 299  |        |      |        |      | 157.09 | 1.89 | 6.2    | 259  | 136.16 | 2.2 | 6.7    | 242  | 127.27 | 2.3  | 7.7    | 209  | 110.01 | 2.7  | 7.0    | 232  | 199.70 | 2.4 | F 57   | 4    |        |      |        |      | 7.6    | 213  | 183.60 | 2.6  | 8.8    | 183  | 157.09 | 3.1  | 10     | 158  | 136.16 | 3.6  | 11     | 148  | 127.27 | 3.8 | 4.5    | 360 | 189.39 | 1.0  |        |     | F 47   | 6    | 4.9    | 331  | 174.13 | 1.1 | 5.7    | 283 | 148.98 | 1.3 | 6.6    | 245 | 129.14 | 1.5 | 7.0    | 229 | 120.70 | 2.5 | 7.3    | 220 | 189.39 | 1.71 | F 47   | 4   | 8.0    | 202 | 174.13 | 1.86 | 9.3    | 173  | 148.98 | 2.2 | 11     | 150  | 129.14 | 2.5 | 12     | 140  | 120.70 | 2.7  |        |     |        |      |        |      |        |      |        |     |        |      |        |      |        |      |        |      |        |      |        |     |        |      |        |      |        |      |        |      |        |     |        |     |
| 0.18          | 8478       | 7703     | 1.33                   |             |         | 0.21          | 7449       | 6768     | 1.51                   |             |         | 3.6     | 426  | 387     | 1.32 | 4.2     | 363  | 330     | 1.55 | 0.16     | 9408 | 8548    | 0.78 | F 107R77 | 4    | 3.3     | 469  |          |      | 426     | 1.20 |          |      | F 57R37 | 4    |          |      |         |      |         |      |         |      | 0.18    | 8448 | 7675    | 0.87 | 0.21    | 7281 | 6615    | 1.01 | 0.24    | 6406 | 5820    | 1.15 | 0.27    | 5749 | 5223    | 1.28 | 0.30    | 5027 | 4567    | 1.47 | 0.39    | 3875 | 3521    | 1.90 | 0.46    | 3343 | 3037    | 2.2  | 0.50    | 3033 | 2756    | 2.4  | 0.59    | 2607 | 2369    | 2.8  | 0.67    | 2276 | 2068    | 3.2  | 4.7     | 328  | 298    | 1.72 | 5.3     | 288  | 262     | 1.96 | 6.2     | 249  | 226     | 2.3  | 7.0     | 220  | 300     | 2.6  | 0.32    | 4815 | 4375    | 0.84 |         |      |         |      |         |      |         |      | F 97R57 | 4    |         |      | 4.1     | 371  |         |      | 337     | 1.01 | F 47R17 | 4    | 0.35    | 4343 | 3946    | 0.9  | 0.41    | 3743 | 3401    | 1.1  | 0.47    | 3246 | 2949    | 1.2  | 0.54    | 2851 | 2590    | 1.4  | 0.61    | 2495 | 2267    | 1.6  | 0.70   | 2189 | 1989    | 1.8  | 0.80    | 1914 | 1739   | 2.1  | 0.90    | 1697 | 1542    | 2.4  | 1.0     | 1475 | 1340   | 2.7  | 1.2    | 1301 | 1182    | 3.1  | 6.0     | 253  | 230    | 1.49 | 6.4    | 238  | 216     | 1.58 |         |      | 7.4    | 207  | 188    | 1.82 |         |      |         |      | 7.9    | 194  | 176    | 1.94 |         |      |         |      | 0.48    | 3171 | 2881    | 0.9  |         |      | F 87R57 | 4    | 8.2     | 187  | 170     | 1.00 | F 37R17 | 4    | 0.54    | 2834 | 2575    | 1.0  | 0.63    | 2420 | 2199    | 1.2  | 0.72   | 2124 | 1930    | 1.3  | 0.81   | 1881 | 1709    | 1.5  | 0.93   | 1643 | 1493   | 1.7  | 1.1    | 1431 | 1300   | 2.0  | 1.2    | 1264 | 1148   | 2.2  | 1.4    | 1112 | 1010   | 2.5  | 1.6    | 976  | 887     | 2.9  | 1.8    | 859  | 780     | 3.3  | 8.3    | 185  |         |      | 168    | 1.02 |         |      | 10      | 146  | 133     | 1.28 | 11     | 142  | 129    | 1.32 |        |      | 3.0     | 536  |         |      | 281.71 | 2.6  | F 77    | 6    |        |      | 3.2    | 500  | 262.93 | 2.8  | 3.8     | 429  |         |      | 225.79 | 3.3  | 0.8    | 1902 |        |      | 1728   | 0.7  | F 77R37 | 4    | 3.7    | 435  | 228.99  | 1.77 | F 67    | 6    | 0.9     | 1698 | 1543    | 0.8  | 1.0    | 1490 | 1354    | 0.9  | 1.2    | 1316 | 1196   | 1.1  | 1.3    | 1156 | 1050   | 1.2  | 1.5    | 998  | 907     | 1.4  |        |      | 1.7    | 892  |        |      | 810    | 1.6  | 2.0    | 781  | 710    | 1.8  | 2.3    | 660  | 600    | 2.1  | 4.4    | 371  |        |      | 195.39 | 2.1 |        |      | 5.0    | 325  |        |     | 170.85 | 2.4  | 6.1    | 266  | 228.99 | 2.9  | F 67   | 4    | 7.1    | 227  |        |      | 195.39 | 3.4  | 8.1    | 199  | 170.85 | 3.9  |        |      |        |      | 4.3    | 380  | 199.70 | 1.49 | F 57   | 6   | 4.6    | 349  | 183.60 | 1.62 | 5.4    | 299  | 157.09 | 1.89 | 6.2    | 259  | 136.16 | 2.2 |        |      |        |      |        |      | 6.7    | 242  | 127.27 | 2.3  | 7.7    | 209  | 110.01 | 2.7  | 7.0    | 232  | 199.70 | 2.4  | F 57   | 4    | 7.6    | 213 | 183.60 | 2.6 | 8.8    | 183  |        |     |        |      | 157.09 | 3.1  | 10     | 158 | 136.16 | 3.6 | 11     | 148 | 127.27 | 3.8 | 4.5    | 360 | 189.39 | 1.0 | F 47   | 6   | 4.9    | 331 | 174.13 | 1.1  |        |     | 5.7    | 283 | 148.98 | 1.3  | 6.6    | 245  | 129.14 | 1.5 | 7.0    | 229  | 120.70 | 2.5 | 7.3    | 220  | 189.39 | 1.71 | F 47   | 4   | 8.0    | 202  | 174.13 | 1.86 | 9.3    | 173  | 148.98 | 2.2 | 11     | 150  | 129.14 | 2.5  | 12     | 140  | 120.70 | 2.7  |        |      |        |     |        |      |        |      |        |      |        |      |        |     |        |     |
| 0.21          | 7449       | 6768     | 1.51                   |             |         | 3.6           | 426        | 387      | 1.32                   |             |         | 4.2     | 363  | 330     | 1.55 | 0.16    | 9408 | 8548    | 0.78 | F 107R77 | 4    | 3.3     | 469  |          |      | 426     | 1.20 |          |      | F 57R37 | 4    |          |      |         |      |          |      |         |      |         |      |         |      | 0.18    | 8448 | 7675    | 0.87 | 0.21    | 7281 | 6615    | 1.01 | 0.24    | 6406 | 5820    | 1.15 | 0.27    | 5749 | 5223    | 1.28 | 0.30    | 5027 | 4567    | 1.47 | 0.39    | 3875 | 3521    | 1.90 | 0.46    | 3343 | 3037    | 2.2  | 0.50    | 3033 | 2756    | 2.4  | 0.59    | 2607 | 2369    | 2.8  | 0.67    | 2276 | 2068    | 3.2  | 4.7     | 328  | 298    | 1.72 | 5.3     | 288  | 262     | 1.96 | 6.2     | 249  | 226     | 2.3  | 7.0     | 220  | 300     | 2.6  | 0.32    | 4815 | 4375    | 0.84 |         |      |         |      |         |      |         |      |         |      |         |      | F 97R57 | 4    |         |      | 4.1     | 371  |         |      | 337     | 1.01 | F 47R17 | 4    | 0.35    | 4343 | 3946    | 0.9  | 0.41    | 3743 | 3401    | 1.1  | 0.47    | 3246 | 2949    | 1.2  | 0.54    | 2851 | 2590    | 1.4  | 0.61   | 2495 | 2267    | 1.6  | 0.70    | 2189 | 1989   | 1.8  | 0.80    | 1914 | 1739    | 2.1  | 0.90    | 1697 | 1542   | 2.4  | 1.0    | 1475 | 1340    | 2.7  | 1.2     | 1301 | 1182   | 3.1  | 6.0    | 253  | 230     | 1.49 |         |      | 6.4    | 238  | 216    | 1.58 |         |      |         |      | 7.4    | 207  | 188    | 1.82 |         |      |         |      | 7.9     | 194  | 176     | 1.94 |         |      |         |      | 0.48    | 3171 | 2881    | 0.9  |         |      | F 87R57 | 4    | 8.2     | 187  | 170     | 1.00 | F 37R17 | 4    | 0.54   | 2834 | 2575    | 1.0  | 0.63   | 2420 | 2199    | 1.2  | 0.72   | 2124 | 1930   | 1.3  | 0.81   | 1881 | 1709   | 1.5  | 0.93   | 1643 | 1493   | 1.7  | 1.1    | 1431 | 1300   | 2.0  | 1.2    | 1264 | 1148    | 2.2  | 1.4    | 1112 | 1010    | 2.5  | 1.6    | 976  | 887     | 2.9  | 1.8    | 859  |         |      | 780     | 3.3  | 8.3     | 185  | 168    | 1.02 | 10     | 146  |        |      | 133     | 1.28 |         |      | 11     | 142  |         |      | 129    | 1.32 | 3.0    | 536  | 281.71 | 2.6  | F 77    | 6    |         |      | 3.2    | 500  | 262.93 | 2.8  |        |      | 3.8    | 429  |         |      | 225.79 | 3.3  | 0.8     | 1902 |         |      | 1728    | 0.7  | F 77R37 | 4    | 3.7    | 435  | 228.99  | 1.77 | F 67   | 6    | 0.9    | 1698 | 1543   | 0.8  | 1.0    | 1490 | 1354   | 0.9  | 1.2     | 1316 |        |      | 1196   | 1.1  | 1.3    | 1156 | 1050   | 1.2  | 1.5    | 998  | 907    | 1.4  | 1.7    | 892  | 810    | 1.6  | 2.0    | 781  |        |      | 710    | 1.8 |        |      | 2.3    | 660  |        |     | 600    | 2.1  | 4.4    | 371  | 195.39 | 2.1  |        |      | 5.0    | 325  |        |      | 170.85 | 2.4  | 6.1    | 266  | 228.99 | 2.9  |        |      |        |      | F 67   | 4    | 7.1    | 227  |        |     | 195.39 | 3.4  | 8.1    | 199  | 170.85 | 3.9  | 4.3    | 380  | 199.70 | 1.49 | F 57   | 6   |        |      |        |      |        |      | 4.6    | 349  | 183.60 | 1.62 | 5.4    | 299  | 157.09 | 1.89 | 6.2    | 259  | 136.16 | 2.2  |        |      | 6.7    | 242 | 127.27 | 2.3 | 7.7    | 209  |        |     |        |      | 110.01 | 2.7  | 7.0    | 232 | 199.70 | 2.4 | F 57   | 4   | 7.6    | 213 | 183.60 | 2.6 | 8.8    | 183 |        |     | 157.09 | 3.1 | 10     | 158  |        |     | 136.16 | 3.6 | 11     | 148  | 127.27 | 3.8  | 4.5    | 360 | 189.39 | 1.0  | F 47   | 6   | 4.9    | 331  | 174.13 | 1.1  |        |     | 5.7    | 283  | 148.98 | 1.3  | 6.6    | 245  | 129.14 | 1.5 | 7.0    | 229  | 120.70 | 2.5  | 7.3    | 220  | 189.39 | 1.71 | F 47   | 4    | 8.0    | 202 | 174.13 | 1.86 | 9.3    | 173  | 148.98 | 2.2  | 11     | 150  | 129.14 | 2.5 | 12     | 140 |
| 3.6           | 426        | 387      | 1.32                   |             |         |               |            |          |                        |             |         |         |      |         |      |         |      |         |      |          |      |         |      |          |      |         |      |          |      |         |      |          |      |         |      |          |      |         |      |         |      |         |      |         |      |         |      |         |      |         |      |         |      |         |      |         |      |         |      |         |      |         |      |         |      |         |      |         |      |         |      |         |      |         |      |         |      |         |      |         |      |         |      |         |      |        |      |         |      |         |      |         |      |         |      |         |      |         |      |         |      |         |      |         |      |         |      |         |      |         |      |         |      |         |      |         |      |         |      |         |      |         |      |         |      |         |      |         |      |         |      |         |      |         |      |         |      |         |      |         |      |         |      |        |      |         |      |         |      |        |      |         |      |         |      |         |      |        |      |        |      |         |      |         |      |        |      |        |      |         |      |         |      |        |      |        |      |         |      |         |      |        |      |        |      |         |      |         |      |         |      |         |      |         |      |         |      |         |      |         |      |         |      |         |      |         |      |         |      |         |      |        |      |         |      |        |      |         |      |        |      |        |      |        |      |        |      |        |      |        |      |        |      |        |      |        |      |         |      |        |      |         |      |        |      |         |      |        |      |         |      |         |      |         |      |        |      |        |      |        |      |         |      |         |      |        |      |         |      |        |      |        |      |        |      |         |      |         |      |        |      |        |      |        |      |        |      |         |      |        |      |         |      |         |      |         |      |         |      |        |      |         |      |        |      |        |      |        |      |        |      |        |      |         |      |        |      |        |      |        |      |        |      |        |      |        |      |        |      |        |      |        |      |        |      |        |     |        |      |        |      |        |     |        |      |        |      |        |      |        |      |        |      |        |      |        |      |        |      |        |      |        |      |        |      |        |      |        |      |        |     |        |      |        |      |        |      |        |      |        |      |        |     |        |      |        |      |        |      |        |      |        |      |        |      |        |      |        |      |        |      |        |      |        |     |        |     |        |      |        |     |        |      |        |      |        |     |        |     |        |     |        |     |        |     |        |     |        |     |        |     |        |      |        |     |        |     |        |      |        |      |        |     |        |      |        |     |        |      |        |      |        |     |        |      |        |      |        |      |        |     |        |      |        |      |        |      |        |      |        |      |        |     |        |      |        |      |        |      |        |      |        |     |        |     |
| 4.2           | 363        | 330      | 1.55                   | 0.16        | 9408    | 8548          | 0.78       | F 107R77 | 4                      | 3.3         | 469     | 426     | 1.20 | F 57R37 | 4    | 0.18    | 8448 | 7675    | 0.87 |          |      | 0.21    | 7281 |          |      | 6615    | 1.01 |          |      |         |      |          |      |         |      |          |      |         |      |         |      |         |      | 0.24    | 6406 | 5820    | 1.15 | 0.27    | 5749 | 5223    | 1.28 | 0.30    | 5027 | 4567    | 1.47 | 0.39    | 3875 | 3521    | 1.90 | 0.46    | 3343 | 3037    | 2.2  | 0.50    | 3033 | 2756    | 2.4  | 0.59    | 2607 | 2369    | 2.8  | 0.67    | 2276 | 2068    | 3.2  | 4.7     | 328  | 298     | 1.72 | 5.3     | 288  | 262     | 1.96 | 6.2     | 249  | 226    | 2.3  | 7.0     | 220  | 300     | 2.6  | 0.32    | 4815 | 4375    | 0.84 | F 97R57 | 4    | 4.1     | 371  | 337     | 1.01 | F 47R17 | 4    |         |      |         |      |         |      |         |      |         |      |         |      |         |      |         |      | 0.35    | 4343 |         |      | 3946    | 0.9  |         |      | 0.41    | 3743 | 3401    | 1.1  | 0.47    | 3246 | 2949    | 1.2  | 0.54    | 2851 | 2590    | 1.4  | 0.61    | 2495 | 2267    | 1.6  | 0.70   | 2189 | 1989    | 1.8  | 0.80    | 1914 | 1739   | 2.1  | 0.90    | 1697 | 1542    | 2.4  | 1.0     | 1475 | 1340   | 2.7  | 1.2    | 1301 | 1182    | 3.1  | 6.0     | 253  | 230    | 1.49 | 6.4    | 238  | 216     | 1.58 |         |      | 7.4    | 207  | 188    | 1.82 |         |      |         |      | 7.9    | 194  | 176    | 1.94 |         |      |         |      | 0.48    | 3171 | 2881    | 0.9  |         |      |         |      | F 87R57 | 4    | 8.2     | 187  |         |      |         |      | 170     | 1.00 | F 37R17 | 4    |         |      | 0.54   | 2834 | 2575    | 1.0  | 0.63   | 2420 | 2199    | 1.2  | 0.72   | 2124 | 1930   | 1.3  | 0.81   | 1881 | 1709   | 1.5  | 0.93   | 1643 | 1493   | 1.7  | 1.1    | 1431 | 1300   | 2.0  | 1.2    | 1264 | 1148    | 2.2  | 1.4    | 1112 | 1010    | 2.5  | 1.6    | 976  | 887     | 2.9  | 1.8    | 859  |         |      | 780     | 3.3  | 8.3     | 185  | 168    | 1.02 | 10     | 146  | 133    | 1.28 | 11      | 142  |         |      | 129    | 1.32 | 3.0     | 536  | 281.71 | 2.6  | F 77   | 6    | 3.2    | 500  |         |      |         |      | 262.93 | 2.8  | 3.8    | 429  | 225.79 | 3.3  | 0.8    | 1902 |         |      | 1728   | 0.7  | F 77R37 | 4    | 3.7     | 435  | 228.99  | 1.77 |         |      | F 67   | 6    | 0.9     | 1698 |        |      | 1543   | 0.8  | 1.0    | 1490 | 1354   | 0.9  | 1.2    | 1316 | 1196    | 1.1  |        |      | 1.3    | 1156 | 1050   | 1.2  | 1.5    | 998  | 907    | 1.4  | 1.7    | 892  | 810    | 1.6  | 2.0    | 781  | 710    | 1.8  |        |      | 2.3    | 660 | 600    | 2.1  | 4.4    | 371  | 195.39 | 2.1 | 5.0    | 325  | 170.85 | 2.4  | 6.1    | 266  | 228.99 | 2.9  | F 67   | 4    |        |      | 7.1    | 227  | 195.39 | 3.4  | 8.1    | 199  | 170.85 | 3.9  | 4.3    | 380  |        |      | 199.70 | 1.49 |        |     | F 57   | 6    | 4.6    | 349  | 183.60 | 1.62 | 5.4    | 299  | 157.09 | 1.89 |        |     |        |      | 6.2    | 259  |        |      | 136.16 | 2.2  | 6.7    | 242  | 127.27 | 2.3  | 7.7    | 209  | 110.01 | 2.7  | 7.0    | 232  |        |      | 199.70 | 2.4 | F 57   | 4   | 7.6    | 213  |        |     |        |      | 183.60 | 2.6  | 8.8    | 183 | 157.09 | 3.1 |        |     | 10     | 158 | 136.16 | 3.6 | 11     | 148 |        |     | 127.27 | 3.8 | 4.5    | 360  |        |     | 189.39 | 1.0 | F 47   | 6    | 4.9    | 331  | 174.13 | 1.1 | 5.7    | 283  |        |     | 148.98 | 1.3  | 6.6    | 245  |        |     | 129.14 | 1.5  | 7.0    | 229  | 120.70 | 2.5  | 7.3    | 220 | 189.39 | 1.71 | F 47   | 4    | 8.0    | 202  | 174.13 | 1.86 |        |      | 9.3    | 173 | 148.98 | 2.2  | 11     | 150  | 129.14 | 2.5  | 12     | 140  | 120.70 | 2.7 |        |     |
| 0.16          | 9408       | 8548     | 0.78                   | F 107R77    | 4       | 3.3           | 469        |          |                        | 426         | 1.20    | F 57R37 | 4    |         |      |         |      |         |      |          |      |         |      |          |      |         |      |          |      |         |      |          |      |         |      |          |      |         |      |         |      |         |      |         |      |         |      |         |      |         |      |         |      |         |      |         |      |         |      |         |      |         |      |         |      |         |      |         |      |         |      |         |      |         |      |         |      |         |      |         |      |         |      |         |      |        |      |         |      |         |      |         |      |         |      |         |      |         |      |         |      |         |      |         |      |         |      |         |      |         |      |         |      |         |      |         |      |         |      |         |      |         |      |         |      |         |      |         |      |         |      |         |      |         |      |         |      |         |      |         |      |         |      |        |      |         |      |         |      |        |      |         |      |         |      |         |      |        |      |        |      |         |      |         |      |        |      |        |      |         |      |         |      |        |      |        |      |         |      |         |      |        |      |        |      |         |      |         |      |         |      |         |      |         |      |         |      |         |      |         |      |         |      |         |      |         |      |         |      |         |      |        |      |         |      |        |      |         |      |        |      |        |      |        |      |        |      |        |      |        |      |        |      |        |      |        |      |         |      |        |      |         |      |        |      |         |      |        |      |         |      |         |      |         |      |        |      |        |      |        |      |         |      |         |      |        |      |         |      |        |      |        |      |        |      |         |      |         |      |        |      |        |      |        |      |        |      |         |      |        |      |         |      |         |      |         |      |         |      |        |      |         |      |        |      |        |      |        |      |        |      |        |      |         |      |        |      |        |      |        |      |        |      |        |      |        |      |        |      |        |      |        |      |        |      |        |     |        |      |        |      |        |     |        |      |        |      |        |      |        |      |        |      |        |      |        |      |        |      |        |      |        |      |        |      |        |      |        |      |        |     |        |      |        |      |        |      |        |      |        |      |        |     |        |      |        |      |        |      |        |      |        |      |        |      |        |      |        |      |        |      |        |      |        |     |        |     |        |      |        |     |        |      |        |      |        |     |        |     |        |     |        |     |        |     |        |     |        |     |        |     |        |      |        |     |        |     |        |      |        |      |        |     |        |      |        |     |        |      |        |      |        |     |        |      |        |      |        |      |        |     |        |      |        |      |        |      |        |      |        |      |        |     |        |      |        |      |        |      |        |      |        |     |        |     |
| 0.18          | 8448       | 7675     | 0.87                   |             |         | 0.21          | 7281       |          |                        | 6615        | 1.01    |         |      |         |      | 0.24    | 6406 | 5820    | 1.15 |          |      | 0.27    | 5749 |          |      | 5223    | 1.28 |          |      |         |      |          |      |         |      |          |      |         |      |         |      |         |      | 0.30    | 5027 | 4567    | 1.47 | 0.39    | 3875 | 3521    | 1.90 | 0.46    | 3343 | 3037    | 2.2  | 0.50    | 3033 | 2756    | 2.4  | 0.59    | 2607 | 2369    | 2.8  | 0.67    | 2276 | 2068    | 3.2  | 4.7     | 328  | 298     | 1.72 | 5.3     | 288  | 262     | 1.96 | 6.2     | 249  | 226     | 2.3  | 7.0     | 220  | 300     | 2.6  | 0.32    | 4815 | 4375   | 0.84 | F 97R57 | 4    | 4.1     | 371  | 337     | 1.01 | F 47R17 | 4    |         |      | 0.35    | 4343 | 3946    | 0.9  |         |      |         |      |         |      |         |      |         |      |         |      |         |      |         |      |         |      | 0.41    | 3743 |         |      | 3401    | 1.1  |         |      | 0.47    | 3246 | 2949    | 1.2  | 0.54    | 2851 | 2590    | 1.4  | 0.61    | 2495 | 2267    | 1.6  | 0.70    | 2189 | 1989    | 1.8  | 0.80   | 1914 | 1739    | 2.1  | 0.90    | 1697 | 1542   | 2.4  | 1.0     | 1475 | 1340    | 2.7  | 1.2     | 1301 | 1182   | 3.1  | 6.0    | 253  | 230     | 1.49 | 6.4     | 238  | 216    | 1.58 | 7.4    | 207  | 188     | 1.82 |         |      | 7.9    | 194  | 176    | 1.94 |         |      |         |      | 0.48   | 3171 | 2881   | 0.9  |         |      |         |      | F 87R57 | 4    | 8.2     | 187  |         |      |         |      |         |      | 170     | 1.00 |         |      |         |      | F 37R17 | 4    |         |      |         |      | 0.54   | 2834 | 2575    | 1.0  | 0.63   | 2420 | 2199    | 1.2  | 0.72   | 2124 | 1930   | 1.3  | 0.81   | 1881 | 1709   | 1.5  | 0.93   | 1643 | 1493   | 1.7  | 1.1    | 1431 | 1300   | 2.0  | 1.2    | 1264 | 1148    | 2.2  | 1.4    | 1112 | 1010    | 2.5  | 1.6    | 976  | 887     | 2.9  | 1.8    | 859  |         |      | 780     | 3.3  | 8.3     | 185  | 168    | 1.02 | 10     | 146  | 133    | 1.28 | 11      | 142  |         |      | 129    | 1.32 | 3.0     | 536  | 281.71 | 2.6  |        |      | F 77   | 6    | 3.2     | 500  |         |      | 262.93 | 2.8  | 3.8    | 429  | 225.79 | 3.3  | 0.8    | 1902 |         |      | 1728   | 0.7  |         |      | F 77R37 | 4    | 3.7     | 435  |         |      |        |      | 228.99  | 1.77 | F 67   | 6    | 0.9    | 1698 | 1543   | 0.8  | 1.0    | 1490 | 1354   | 0.9  | 1.2     | 1316 |        |      | 1196   | 1.1  | 1.3    | 1156 | 1050   | 1.2  | 1.5    | 998  | 907    | 1.4  | 1.7    | 892  | 810    | 1.6  | 2.0    | 781  |        |      | 710    | 1.8 | 2.3    | 660  | 600    | 2.1  | 4.4    | 371 | 195.39 | 2.1  | 5.0    | 325  | 170.85 | 2.4  | 6.1    | 266  |        |      |        |      | 228.99 | 2.9  | F 67   | 4    | 7.1    | 227  | 195.39 | 3.4  | 8.1    | 199  | 170.85 | 3.9  | 4.3    | 380  |        |     |        |      | 199.70 | 1.49 | F 57   | 6    | 4.6    | 349  | 183.60 | 1.62 |        |     | 5.4    | 299  | 157.09 | 1.89 | 6.2    | 259  | 136.16 | 2.2  | 6.7    | 242  | 127.27 | 2.3  | 7.7    | 209  | 110.01 | 2.7  | 7.0    | 232  | 199.70 | 2.4  | F 57   | 4   |        |     | 7.6    | 213  | 183.60 | 2.6 | 8.8    | 183  | 157.09 | 3.1  | 10     | 158 | 136.16 | 3.6 |        |     | 11     | 148 | 127.27 | 3.8 | 4.5    | 360 |        |     | 189.39 | 1.0 | F 47   | 6    | 4.9    | 331 | 174.13 | 1.1 |        |      | 5.7    | 283  | 148.98 | 1.3 | 6.6    | 245  |        |     | 129.14 | 1.5  | 7.0    | 229  |        |     | 120.70 | 2.5  | 7.3    | 220  | 189.39 | 1.71 | F 47   | 4   | 8.0    | 202  |        |      | 174.13 | 1.86 | 9.3    | 173  |        |      | 148.98 | 2.2 | 11     | 150  | 129.14 | 2.5  | 12     | 140  | 120.70 | 2.7  |        |     |        |     |
| 0.21          | 7281       | 6615     | 1.01                   |             |         | 0.24          | 6406       |          |                        | 5820        | 1.15    |         |      |         |      | 0.27    | 5749 | 5223    | 1.28 |          |      | 0.30    | 5027 |          |      | 4567    | 1.47 |          |      |         |      |          |      |         |      |          |      |         |      |         |      |         |      | 0.39    | 3875 | 3521    | 1.90 | 0.46    | 3343 | 3037    | 2.2  | 0.50    | 3033 | 2756    | 2.4  | 0.59    | 2607 | 2369    | 2.8  | 0.67    | 2276 | 2068    | 3.2  | 4.7     | 328  | 298     | 1.72 | 5.3     | 288  | 262     | 1.96 | 6.2     | 249  | 226     | 2.3  | 7.0     | 220  | 300     | 2.6  | 0.32    | 4815 | 4375    | 0.84 | F 97R57 | 4    | 4.1    | 371  |         |      | 337     | 1.01 | F 47R17 | 4    |         |      |         |      | 0.35    | 4343 | 3946    | 0.9  |         |      |         |      |         |      |         |      |         |      |         |      |         |      |         |      |         |      | 0.41    | 3743 |         |      | 3401    | 1.1  |         |      | 0.47    | 3246 | 2949    | 1.2  | 0.54    | 2851 | 2590    | 1.4  | 0.61    | 2495 | 2267    | 1.6  | 0.70    | 2189 | 1989    | 1.8  | 0.80   | 1914 | 1739    | 2.1  | 0.90    | 1697 | 1542   | 2.4  | 1.0     | 1475 | 1340    | 2.7  | 1.2     | 1301 | 1182   | 3.1  | 6.0    | 253  | 230     | 1.49 | 6.4     | 238  | 216    | 1.58 | 7.4    | 207  | 188     | 1.82 |         |      | 7.9    | 194  | 176    | 1.94 |         |      |         |      | 0.48   | 3171 | 2881   | 0.9  |         |      |         |      |         |      | F 87R57 | 4    |         |      |         |      |         |      | 8.2     | 187  |         |      |         |      |         |      |         |      |         |      | 170    | 1.00 | F 37R17 | 4    | 0.54   | 2834 | 2575    | 1.0  | 0.63   | 2420 | 2199   | 1.2  | 0.72   | 2124 | 1930   | 1.3  | 0.81   | 1881 | 1709   | 1.5  | 0.93   | 1643 | 1493   | 1.7  | 1.1    | 1431 | 1300    | 2.0  | 1.2    | 1264 | 1148    | 2.2  | 1.4    | 1112 | 1010    | 2.5  | 1.6    | 976  |         |      | 887     | 2.9  | 1.8     | 859  | 780    | 3.3  | 8.3    | 185  | 168    | 1.02 | 10      | 146  |         |      | 133    | 1.28 | 11      | 142  | 129    | 1.32 | 3.0    | 536  |        |      | 281.71  | 2.6  |         |      | F 77   | 6    | 3.2    | 500  | 262.93 | 2.8  | 3.8    | 429  |         |      | 225.79 | 3.3  |         |      |         |      | 0.8     | 1902 |         |      | 1728   | 0.7  | F 77R37 | 4    |        |      | 3.7    | 435  | 228.99 | 1.77 | F 67   | 6    | 0.9    | 1698 | 1543    | 0.8  |        |      | 1.0    | 1490 | 1354   | 0.9  | 1.2    | 1316 | 1196   | 1.1  | 1.3    | 1156 | 1050   | 1.2  | 1.5    | 998  | 907    | 1.4  |        |      | 1.7    | 892 | 810    | 1.6  | 2.0    | 781  | 710    | 1.8 | 2.3    | 660  | 600    | 2.1  | 4.4    | 371  | 195.39 | 2.1  | 5.0    | 325  |        |      | 170.85 | 2.4  |        |      | 6.1    | 266  | 228.99 | 2.9  | F 67   | 4    | 7.1    | 227  | 195.39 | 3.4  |        |     |        |      | 8.1    | 199  |        |      | 170.85 | 3.9  | 4.3    | 380  |        |     | 199.70 | 1.49 | F 57   | 6    | 4.6    | 349  | 183.60 | 1.62 | 5.4    | 299  | 157.09 | 1.89 | 6.2    | 259  | 136.16 | 2.2  | 6.7    | 242  | 127.27 | 2.3  |        |     |        |     | 7.7    | 209  | 110.01 | 2.7 | 7.0    | 232  | 199.70 | 2.4  | F 57   | 4   | 7.6    | 213 | 183.60 | 2.6 | 8.8    | 183 | 157.09 | 3.1 | 10     | 158 | 136.16 | 3.6 | 11     | 148 |        |      | 127.27 | 3.8 | 4.5    | 360 |        |      | 189.39 | 1.0  | F 47   | 6   | 4.9    | 331  |        |     | 174.13 | 1.1  | 5.7    | 283  | 148.98 | 1.3 | 6.6    | 245  | 129.14 | 1.5  | 7.0    | 229  |        |     | 120.70 | 2.5  |        |      | 7.3    | 220  | 189.39 | 1.71 |        |      | F 47   | 4   | 8.0    | 202  | 174.13 | 1.86 | 9.3    | 173  | 148.98 | 2.2  | 11     | 150 | 129.14 | 2.5 |
| 0.24          | 6406       | 5820     | 1.15                   |             |         | 0.27          | 5749       |          |                        | 5223        | 1.28    |         |      |         |      | 0.30    | 5027 | 4567    | 1.47 |          |      | 0.39    | 3875 |          |      | 3521    | 1.90 |          |      |         |      |          |      |         |      |          |      |         |      |         |      |         |      | 0.46    | 3343 | 3037    | 2.2  | 0.50    | 3033 | 2756    | 2.4  | 0.59    | 2607 | 2369    | 2.8  | 0.67    | 2276 | 2068    | 3.2  | 4.7     | 328  | 298     | 1.72 | 5.3     | 288  | 262     | 1.96 | 6.2     | 249  | 226     | 2.3  | 7.0     | 220  | 300     | 2.6  | 0.32    | 4815 | 4375    | 0.84 | F 97R57 | 4    | 4.1     | 371  |         |      | 337    | 1.01 |         |      | F 47R17 | 4    |         |      |         |      |         |      | 0.35    | 4343 | 3946    | 0.9  |         |      |         |      |         |      |         |      |         |      |         |      |         |      |         |      |         |      | 0.41    | 3743 |         |      | 3401    | 1.1  |         |      | 0.47    | 3246 | 2949    | 1.2  | 0.54    | 2851 | 2590    | 1.4  | 0.61    | 2495 | 2267    | 1.6  | 0.70    | 2189 | 1989    | 1.8  | 0.80   | 1914 | 1739    | 2.1  | 0.90    | 1697 | 1542   | 2.4  | 1.0     | 1475 | 1340    | 2.7  | 1.2     | 1301 | 1182   | 3.1  | 6.0    | 253  | 230     | 1.49 | 6.4     | 238  | 216    | 1.58 | 7.4    | 207  | 188     | 1.82 |         |      | 7.9    | 194  | 176    | 1.94 |         |      |         |      | 0.48   | 3171 | 2881   | 0.9  |         |      |         |      |         |      |         |      |         |      |         |      |         |      | F 87R57 | 4    |         |      |         |      |         |      |         |      |         |      | 8.2    | 187  |         |      | 170    | 1.00 | F 37R17 | 4    | 0.54   | 2834 | 2575   | 1.0  | 0.63   | 2420 | 2199   | 1.2  | 0.72   | 2124 | 1930   | 1.3  | 0.81   | 1881 | 1709   | 1.5  | 0.93   | 1643 | 1493    | 1.7  | 1.1    | 1431 | 1300    | 2.0  | 1.2    | 1264 | 1148    | 2.2  | 1.4    | 1112 |         |      | 1010    | 2.5  | 1.6     | 976  | 887    | 2.9  | 1.8    | 859  | 780    | 3.3  | 8.3     | 185  |         |      | 168    | 1.02 | 10      | 146  | 133    | 1.28 | 11     | 142  |        |      | 129     | 1.32 |         |      |        |      | 3.0    | 536  | 281.71 | 2.6  | F 77   | 6    |         |      | 3.2    | 500  |         |      |         |      | 262.93  | 2.8  |         |      | 3.8    | 429  |         |      |        |      | 225.79 | 3.3  | 0.8    | 1902 |        |      | 1728   | 0.7  | F 77R37 | 4    |        |      | 3.7    | 435  | 228.99 | 1.77 | F 67   | 6    | 0.9    | 1698 | 1543   | 0.8  | 1.0    | 1490 | 1354   | 0.9  | 1.2    | 1316 |        |      | 1196   | 1.1 | 1.3    | 1156 | 1050   | 1.2  | 1.5    | 998 | 907    | 1.4  | 1.7    | 892  | 810    | 1.6  | 2.0    | 781  | 710    | 1.8  |        |      | 2.3    | 660  |        |      | 600    | 2.1  | 4.4    | 371  |        |      | 195.39 | 2.1  | 5.0    | 325  |        |     |        |      | 170.85 | 2.4  |        |      | 6.1    | 266  | 228.99 | 2.9  |        |     | F 67   | 4    |        |      | 7.1    | 227  | 195.39 | 3.4  | 8.1    | 199  | 170.85 | 3.9  | 4.3    | 380  | 199.70 | 1.49 | F 57   | 6    | 4.6    | 349  |        |     |        |     | 183.60 | 1.62 | 5.4    | 299 | 157.09 | 1.89 | 6.2    | 259  |        |     | 136.16 | 2.2 | 6.7    | 242 | 127.27 | 2.3 | 7.7    | 209 | 110.01 | 2.7 | 7.0    | 232 | 199.70 | 2.4 |        |      | F 57   | 4   | 7.6    | 213 |        |      | 183.60 | 2.6  |        |     | 8.8    | 183  | 157.09 | 3.1 | 10     | 158  | 136.16 | 3.6  | 11     | 148 | 127.27 | 3.8  | 4.5    | 360  | 189.39 | 1.0  |        |     | F 47   | 6    |        |      | 4.9    | 331  | 174.13 | 1.1  | 5.7    | 283  |        |     | 148.98 | 1.3  | 6.6    | 245  | 129.14 | 1.5  | 7.0    | 229  | 120.70 | 2.5 | 7.3    | 220 |
| 0.27          | 5749       | 5223     | 1.28                   |             |         | 0.30          | 5027       |          |                        | 4567        | 1.47    |         |      |         |      | 0.39    | 3875 | 3521    | 1.90 |          |      | 0.46    | 3343 |          |      | 3037    | 2.2  |          |      |         |      |          |      |         |      | 0.50     | 3033 |         |      |         |      | 2756    | 2.4  | 0.59    | 2607 | 2369    | 2.8  | 0.67    | 2276 | 2068    | 3.2  | 4.7     | 328  | 298     | 1.72 | 5.3     | 288  | 262     | 1.96 | 6.2     | 249  | 226     | 2.3  | 7.0     | 220  | 300     | 2.6  | 0.32    | 4815 | 4375    | 0.84 | F 97R57 | 4    | 4.1     | 371  | 337     | 1.01 | F 47R17 | 4    |         |      | 0.35    | 4343 |         |      | 3946   | 0.9  |         |      |         |      |         |      |         |      |         |      | 0.41    | 3743 | 3401    | 1.1  |         |      | 0.47    | 3246 |         |      |         |      | 2949    | 1.2  |         |      |         |      |         |      |         |      | 0.54    | 2851 |         |      | 2590    | 1.4  |         |      | 0.61    | 2495 | 2267    | 1.6  | 0.70    | 2189 | 1989    | 1.8  | 0.80    | 1914 | 1739    | 2.1  | 0.90    | 1697 | 1542    | 2.4  | 1.0    | 1475 | 1340    | 2.7  | 1.2     | 1301 | 1182   | 3.1  | 6.0     | 253  | 230     | 1.49 | 6.4     | 238  | 216    | 1.58 | 7.4    | 207  | 188     | 1.82 | 7.9     | 194  | 176    | 1.94 | 0.48   | 3171 | 2881    | 0.9  | F 87R57 | 4    | 8.2    | 187  | 170    | 1.00 | F 37R17 | 4    |         |      | 0.54   | 2834 | 2575   | 1.0  |         |      |         |      |         |      |         |      |         |      |         |      |         |      |         |      |         |      |         |      |         |      |         |      |         |      | 0.63   | 2420 |         |      | 2199   | 1.2  |         |      | 0.72   | 2124 | 1930   | 1.3  | 0.81   | 1881 | 1709   | 1.5  | 0.93   | 1643 | 1493   | 1.7  | 1.1    | 1431 | 1300   | 2.0  | 1.2    | 1264 | 1148    | 2.2  | 1.4    | 1112 | 1010    | 2.5  | 1.6    | 976  | 887     | 2.9  | 1.8    | 859  | 780     | 3.3  | 8.3     | 185  | 168     | 1.02 | 10     | 146  | 133    | 1.28 | 11     | 142  | 129     | 1.32 |         |      | 3.0    | 536  | 281.71  | 2.6  | F 77   | 6    | 3.2    | 500  | 262.93 | 2.8  | 3.8     | 429  |         |      |        |      | 225.79 | 3.3  | 0.8    | 1902 |        |      |         |      | 1728   | 0.7  |         |      |         |      | F 77R37 | 4    |         |      | 3.7    | 435  |         |      | 228.99 | 1.77 | F 67   | 6    | 0.9    | 1698 |        |      | 1543   | 0.8  |         |      | 1.0    | 1490 | 1354   | 0.9  | 1.2    | 1316 |        |      | 1196   | 1.1  | 1.3    | 1156 | 1050   | 1.2  | 1.5    | 998  | 907    | 1.4  |        |      | 1.7    | 892 | 810    | 1.6  | 2.0    | 781  | 710    | 1.8 | 2.3    | 660  | 600    | 2.1  | 4.4    | 371  | 195.39 | 2.1  | 5.0    | 325  |        |      | 170.85 | 2.4  | 6.1    | 266  | 228.99 | 2.9  | F 67   | 4    |        |      | 7.1    | 227  | 195.39 | 3.4  |        |     |        |      | 8.1    | 199  |        |      | 170.85 | 3.9  | 4.3    | 380  |        |     |        |      |        |      | 199.70 | 1.49 | F 57   | 6    | 4.6    | 349  | 183.60 | 1.62 | 5.4    | 299  | 157.09 | 1.89 |        |      | 6.2    | 259  |        |     | 136.16 | 2.2 | 6.7    | 242  | 127.27 | 2.3 | 7.7    | 209  | 110.01 | 2.7  |        |     | 7.0    | 232 | 199.70 | 2.4 | F 57   | 4   | 7.6    | 213 | 183.60 | 2.6 | 8.8    | 183 | 157.09 | 3.1 |        |      |        |     | 10     | 158 |        |      | 136.16 | 3.6  |        |     | 11     | 148  | 127.27 | 3.8 | 4.5    | 360  | 189.39 | 1.0  | F 47   | 6   | 4.9    | 331  | 174.13 | 1.1  | 5.7    | 283  |        |     |        |      |        |      | 148.98 | 1.3  | 6.6    | 245  | 129.14 | 1.5  |        |     | 7.0    | 229  | 120.70 | 2.5  | 7.3    | 220  | 189.39 | 1.71 | F 47   | 4   | 8.0    | 202 |
| 0.30          | 5027       | 4567     | 1.47                   |             |         | 0.39          | 3875       |          |                        | 3521        | 1.90    |         |      |         |      | 0.46    | 3343 | 3037    | 2.2  |          |      | 0.50    | 3033 |          |      | 2756    | 2.4  |          |      |         |      | 0.59     | 2607 |         |      | 2369     | 2.8  |         |      | 0.67    | 2276 | 2068    | 3.2  | 4.7     | 328  | 298     | 1.72 | 5.3     | 288  | 262     | 1.96 | 6.2     | 249  | 226     | 2.3  | 7.0     | 220  | 300     | 2.6  | 0.32    | 4815 | 4375    | 0.84 | F 97R57 | 4    | 4.1     | 371  | 337     | 1.01 | F 47R17 | 4    |         |      | 0.35    | 4343 | 3946    | 0.9  |         |      |         |      | 0.41    | 3743 |         |      | 3401   | 1.1  |         |      |         |      |         |      |         |      |         |      | 0.47    | 3246 | 2949    | 1.2  |         |      | 0.54    | 2851 | 2590    | 1.4  |         |      | 0.61    | 2495 |         |      | 2267    | 1.6  |         |      |         |      | 0.70    | 2189 |         |      | 1989    | 1.8  |         |      | 0.80    | 1914 | 1739    | 2.1  | 0.90    | 1697 | 1542    | 2.4  | 1.0     | 1475 | 1340    | 2.7  | 1.2     | 1301 | 1182    | 3.1  | 6.0    | 253  | 230     | 1.49 | 6.4     | 238  | 216    | 1.58 | 7.4     | 207  | 188     | 1.82 | 7.9     | 194  | 176    | 1.94 | 0.48   | 3171 | 2881    | 0.9  | F 87R57 | 4    | 8.2    | 187  | 170    | 1.00 | F 37R17 | 4    |         |      | 0.54   | 2834 | 2575   | 1.0  |         |      | 0.63    | 2420 | 2199   | 1.2  | 0.72   | 2124 | 1930    | 1.3  |         |      |         |      |         |      |         |      |         |      |         |      |         |      |         |      |         |      |         |      |         |      |         |      | 0.81   | 1881 |         |      | 1709   | 1.5  |         |      | 0.93   | 1643 | 1493   | 1.7  | 1.1    | 1431 | 1300   | 2.0  | 1.2    | 1264 | 1148   | 2.2  | 1.4    | 1112 | 1010   | 2.5  | 1.6    | 976  | 887     | 2.9  | 1.8    | 859  | 780     | 3.3  | 8.3    | 185  | 168     | 1.02 | 10     | 146  | 133     | 1.28 | 11      | 142  | 129     | 1.32 | 3.0    | 536  | 281.71 | 2.6  | F 77   | 6    | 3.2     | 500  | 262.93  | 2.8  | 3.8    | 429  | 225.79  | 3.3  |        |      | 0.8    | 1902 | 1728   | 0.7  | F 77R37 | 4    |         |      | 3.7    | 435  | 228.99 | 1.77 | F 67   | 6    |        |      |         |      | 0.9    | 1698 |         |      |         |      |         |      |         |      | 1543   | 0.8  |         |      | 1.0    | 1490 |        |      | 1354   | 0.9  | 1.2    | 1316 | 1196   | 1.1  |         |      | 1.3    | 1156 | 1050   | 1.2  | 1.5    | 998  |        |      | 907    | 1.4  | 1.7    | 892  | 810    | 1.6  | 2.0    | 781  | 710    | 1.8  | 2.3    | 660  | 600    | 2.1 | 4.4    | 371  | 195.39 | 2.1  | 5.0    | 325 | 170.85 | 2.4  | 6.1    | 266  | 228.99 | 2.9  | F 67   | 4    | 7.1    | 227  |        |      | 195.39 | 3.4  | 8.1    | 199  | 170.85 | 3.9  |        |      | 4.3    | 380  | 199.70 | 1.49 | F 57   | 6    |        |     |        |      | 4.6    | 349  |        |      | 183.60 | 1.62 | 5.4    | 299  |        |     |        |      |        |      | 157.09 | 1.89 |        |      | 6.2    | 259  | 136.16 | 2.2  | 6.7    | 242  | 127.27 | 2.3  |        |      | 7.7    | 209  |        |     | 110.01 | 2.7 | 7.0    | 232  | 199.70 | 2.4 | F 57   | 4    | 7.6    | 213  |        |     | 183.60 | 2.6 | 8.8    | 183 |        |     | 157.09 | 3.1 | 10     | 158 | 136.16 | 3.6 | 11     | 148 |        |      |        |     | 127.27 | 3.8 | 4.5    | 360  | 189.39 | 1.0  |        |     | F 47   | 6    | 4.9    | 331 | 174.13 | 1.1  | 5.7    | 283  |        |     | 148.98 | 1.3  | 6.6    | 245  | 129.14 | 1.5  |        |     |        |      | 7.0    | 229  | 120.70 | 2.5  | 7.3    | 220  | 189.39 | 1.71 |        |     | F 47   | 4    | 8.0    | 202  | 174.13 | 1.86 | 9.3    | 173  |        |     | 148.98 | 2.2 |
| 0.39          | 3875       | 3521     | 1.90                   |             |         | 0.46          | 3343       |          |                        | 3037        | 2.2     |         |      |         |      | 0.50    | 3033 | 2756    | 2.4  |          |      | 0.59    | 2607 |          |      | 2369    | 2.8  | 0.67     | 2276 |         |      | 2068     | 3.2  |         |      | 4.7      | 328  | 298     | 1.72 | 5.3     | 288  | 262     | 1.96 | 6.2     | 249  | 226     | 2.3  | 7.0     | 220  | 300     | 2.6  | 0.32    | 4815 | 4375    | 0.84 | F 97R57 | 4    | 4.1     | 371  | 337     | 1.01 | F 47R17 | 4    |         |      | 0.35    | 4343 | 3946    | 0.9  |         |      |         |      | 0.41    | 3743 | 3401    | 1.1  |         |      |         |      | 0.47    | 3246 |         |      | 2949   | 1.2  |         |      |         |      |         |      |         |      |         |      | 0.54    | 2851 | 2590    | 1.4  |         |      | 0.61    | 2495 | 2267    | 1.6  | 0.70    | 2189 | 1989    | 1.8  |         |      | 0.80    | 1914 |         |      | 1739    | 2.1  | 0.90    | 1697 |         |      | 1542    | 2.4  |         |      | 1.0     | 1475 | 1340    | 2.7  | 1.2     | 1301 | 1182    | 3.1  | 6.0     | 253  | 230     | 1.49 | 6.4     | 238  | 216     | 1.58 | 7.4    | 207  | 188     | 1.82 | 7.9     | 194  | 176    | 1.94 | 0.48    | 3171 | 2881    | 0.9  | F 87R57 | 4    | 8.2    | 187  | 170    | 1.00 | F 37R17 | 4    |         |      | 0.54   | 2834 | 2575   | 1.0  |         |      |         |      | 0.63   | 2420 | 2199   | 1.2  |         |      | 0.72    | 2124 | 1930   | 1.3  | 0.81   | 1881 | 1709    | 1.5  | 0.93    | 1643 |         |      |         |      | 1493    | 1.7  |         |      |         |      |         |      |         |      |         |      |         |      |         |      |         |      | 1.1    | 1431 |         |      | 1300   | 2.0  |         |      | 1.2    | 1264 | 1148   | 2.2  | 1.4    | 1112 | 1010   | 2.5  | 1.6    | 976  | 887    | 2.9  | 1.8    | 859  | 780    | 3.3  | 8.3    | 185  | 168     | 1.02 | 10     | 146  | 133     | 1.28 | 11     | 142  | 129     | 1.32 | 3.0    | 536  | 281.71  | 2.6  | F 77    | 6    | 3.2     | 500  | 262.93 | 2.8  | 3.8    | 429  |        |      | 225.79  | 3.3  | 0.8     | 1902 | 1728   | 0.7  | F 77R37 | 4    |        |      | 3.7    | 435  | 228.99 | 1.77 |         |      | F 67    | 6    | 0.9    | 1698 | 1543   | 0.8  |        |      | 1.0    | 1490 |         |      | 1354   | 0.9  |         |      |         |      |         |      |         |      | 1.2    | 1316 |         |      | 1196   | 1.1  |        |      | 1.3    | 1156 | 1050   | 1.2  | 1.5    | 998  |         |      | 907    | 1.4  | 1.7    | 892  | 810    | 1.6  | 2.0    | 781  | 710    | 1.8  | 2.3    | 660  | 600    | 2.1  | 4.4    | 371  | 195.39 | 2.1  | 5.0    | 325  | 170.85 | 2.4 | 6.1    | 266  | 228.99 | 2.9  | F 67   | 4   | 7.1    | 227  | 195.39 | 3.4  | 8.1    | 199  |        |      | 170.85 | 3.9  | 4.3    | 380  | 199.70 | 1.49 | F 57   | 6    | 4.6    | 349  |        |      | 183.60 | 1.62 | 5.4    | 299  |        |      |        |     |        |      | 157.09 | 1.89 |        |      | 6.2    | 259  | 136.16 | 2.2  |        |     | 6.7    | 242  |        |      | 127.27 | 2.3  |        |      | 7.7    | 209  | 110.01 | 2.7  | 7.0    | 232  | 199.70 | 2.4  |        |      | F 57   | 4    | 7.6    | 213 | 183.60 | 2.6 | 8.8    | 183  | 157.09 | 3.1 |        |      | 10     | 158  |        |     | 136.16 | 3.6 | 11     | 148 |        |     | 127.27 | 3.8 | 4.5    | 360 | 189.39 | 1.0 | F 47   | 6   |        |      |        |     | 4.9    | 331 | 174.13 | 1.1  | 5.7    | 283  |        |     |        |      | 148.98 | 1.3 | 6.6    | 245  | 129.14 | 1.5  |        |     | 7.0    | 229  | 120.70 | 2.5  | 7.3    | 220  |        |     |        |      | 189.39 | 1.71 | F 47   | 4    | 8.0    | 202  | 174.13 | 1.86 |        |     |        |      | 9.3    | 173  | 148.98 | 2.2  | 11     | 150  |        |     | 129.14 | 2.5 |
| 0.46          | 3343       | 3037     | 2.2                    |             |         | 0.50          | 3033       |          |                        | 2756        | 2.4     |         |      |         |      | 0.59    | 2607 | 2369    | 2.8  |          |      | 0.67    | 2276 | 2068     | 3.2  | 4.7     | 328  | 298      | 1.72 |         |      | 5.3      | 288  | 262     | 1.96 | 6.2      | 249  | 226     | 2.3  | 7.0     | 220  | 300     | 2.6  | 0.32    | 4815 | 4375    | 0.84 | F 97R57 | 4    | 4.1     | 371  | 337     | 1.01 | F 47R17 | 4    |         |      | 0.35    | 4343 | 3946    | 0.9  |         |      |         |      | 0.41    | 3743 | 3401    | 1.1  |         |      |         |      | 0.47    | 3246 | 2949    | 1.2  |         |      |         |      | 0.54    | 2851 |         |      | 2590   | 1.4  |         |      |         |      |         |      |         |      |         |      | 0.61    | 2495 | 2267    | 1.6  |         |      | 0.70    | 2189 | 1989    | 1.8  | 0.80    | 1914 | 1739    | 2.1  | 0.90    | 1697 | 1542    | 2.4  |         |      | 1.0     | 1475 | 1340    | 2.7  | 1.2     | 1301 | 1182    | 3.1  |         |      | 6.0     | 253  | 230     | 1.49 | 6.4     | 238  | 216     | 1.58 | 7.4     | 207  | 188     | 1.82 | 7.9     | 194  | 176     | 1.94 | 0.48   | 3171 | 2881    | 0.9  | F 87R57 | 4    | 8.2    | 187  | 170     | 1.00 | F 37R17 | 4    |         |      | 0.54   | 2834 | 2575   | 1.0  |         |      |         |      | 0.63   | 2420 | 2199   | 1.2  |         |      |         |      | 0.72   | 2124 | 1930   | 1.3  |         |      | 0.81    | 1881 | 1709   | 1.5  | 0.93   | 1643 | 1493    | 1.7  | 1.1     | 1431 |         |      |         |      | 1300    | 2.0  | 1.2     | 1264 |         |      |         |      | 1148    | 2.2  |         |      |         |      |         |      |         |      | 1.4    | 1112 |         |      | 1010   | 2.5  |         |      | 1.6    | 976  | 887    | 2.9  | 1.8    | 859  | 780    | 3.3  | 8.3    | 185  | 168    | 1.02 | 10     | 146  | 133    | 1.28 | 11     | 142  | 129     | 1.32 | 3.0    | 536  | 281.71  | 2.6  | F 77   | 6    | 3.2     | 500  | 262.93 | 2.8  | 3.8     | 429  |         |      | 225.79  | 3.3  | 0.8    | 1902 | 1728   | 0.7  |        |      | F 77R37 | 4    | 3.7     | 435  | 228.99 | 1.77 |         |      | F 67   | 6    | 0.9    | 1698 | 1543   | 0.8  |         |      |         |      | 1.0    | 1490 | 1354   | 0.9  |        |      | 1.2    | 1316 | 1196    | 1.1  | 1.3    | 1156 |         |      |         |      |         |      |         |      | 1050   | 1.2  |         |      | 1.5    | 998  | 907    | 1.4  | 1.7    | 892  | 810    | 1.6  | 2.0    | 781  |         |      | 710    | 1.8  | 2.3    | 660  | 600    | 2.1  | 4.4    | 371  | 195.39 | 2.1  | 5.0    | 325  | 170.85 | 2.4  | 6.1    | 266  | 228.99 | 2.9  | F 67   | 4    | 7.1    | 227 | 195.39 | 3.4  | 8.1    | 199  |        |     | 170.85 | 3.9  | 4.3    | 380  | 199.70 | 1.49 |        |      | F 57   | 6    | 4.6    | 349  | 183.60 | 1.62 |        |      | 5.4    | 299  | 157.09 | 1.89 | 6.2    | 259  | 136.16 | 2.2  |        |      | 6.7    | 242 |        |      | 127.27 | 2.3  |        |      | 7.7    | 209  | 110.01 | 2.7  |        |     | 7.0    | 232  |        |      | 199.70 | 2.4  |        |      | F 57   | 4    | 7.6    | 213  | 183.60 | 2.6  | 8.8    | 183  |        |      |        |      | 157.09 | 3.1 | 10     | 158 | 136.16 | 3.6  | 11     | 148 |        |      | 127.27 | 3.8  | 4.5    | 360 | 189.39 | 1.0 | F 47   | 6   |        |     | 4.9    | 331 | 174.13 | 1.1 | 5.7    | 283 |        |     | 148.98 | 1.3  |        |     | 6.6    | 245 | 129.14 | 1.5  | 7.0    | 229  |        |     |        |      | 120.70 | 2.5 | 7.3    | 220  | 189.39 | 1.71 |        |     | F 47   | 4    | 8.0    | 202  | 174.13 | 1.86 | 9.3    | 173 |        |      | 148.98 | 2.2  |        |      | 11     | 150  | 129.14 | 2.5  |        |     |        |      | 12     | 140  | 120.70 | 2.7  |        |      |        |     |        |     |
| 0.50          | 3033       | 2756     | 2.4                    |             |         | 0.59          | 2607       |          |                        | 2369        | 2.8     |         |      |         |      | 0.67    | 2276 | 2068    | 3.2  | 4.7      | 328  | 298     | 1.72 | 5.3      | 288  | 262     | 1.96 | 6.2      | 249  | 226     | 2.3  | 7.0      | 220  | 300     | 2.6  | 0.32     | 4815 | 4375    | 0.84 | F 97R57 | 4    | 4.1     | 371  | 337     | 1.01 | F 47R17 | 4    |         |      | 0.35    | 4343 | 3946    | 0.9  |         |      |         |      | 0.41    | 3743 | 3401    | 1.1  |         |      |         |      | 0.47    | 3246 | 2949    | 1.2  |         |      |         |      | 0.54    | 2851 | 2590    | 1.4  |         |      |         |      | 0.61    | 2495 |         |      | 2267   | 1.6  |         |      |         |      |         |      |         |      |         |      | 0.70    | 2189 | 1989    | 1.8  |         |      | 0.80    | 1914 | 1739    | 2.1  | 0.90    | 1697 | 1542    | 2.4  | 1.0     | 1475 | 1340    | 2.7  | 1.2     | 1301 | 1182    | 3.1  | 6.0     | 253  | 230     | 1.49 | 6.4     | 238  | 216     | 1.58 | 7.4     | 207  | 188     | 1.82 | 7.9     | 194  | 176     | 1.94 | 0.48    | 3171 | 2881    | 0.9  | F 87R57 | 4    | 8.2     | 187  | 170    | 1.00 | F 37R17 | 4    |         |      | 0.54   | 2834 | 2575    | 1.0  |         |      |         |      | 0.63   | 2420 | 2199   | 1.2  |         |      |         |      | 0.72   | 2124 | 1930   | 1.3  |         |      |         |      | 0.81   | 1881 | 1709   | 1.5  |         |      | 0.93    | 1643 | 1493   | 1.7  | 1.1    | 1431 | 1300    | 2.0  | 1.2     | 1264 |         |      |         |      | 1148    | 2.2  | 1.4     | 1112 |         |      |         |      | 1010    | 2.5  | 1.6     | 976  |         |      |         |      | 887     | 2.9  | 1.8    | 859  |         |      | 780    | 3.3  |         |      | 8.3    | 185  | 168    | 1.02 | 10     | 146  | 133    | 1.28 | 11     | 142  | 129    | 1.32 | 3.0    | 536  | 281.71 | 2.6  | F 77   | 6    | 3.2     | 500  | 262.93 | 2.8  | 3.8     | 429  |        |      | 225.79  | 3.3  | 0.8    | 1902 | 1728    | 0.7  |         |      | F 77R37 | 4    | 3.7    | 435  | 228.99 | 1.77 | F 67   | 6    |         |      | 0.9     | 1698 | 1543   | 0.8  |         |      |        |      | 1.0    | 1490 | 1354   | 0.9  |         |      |         |      | 1.2    | 1316 | 1196   | 1.1  | 1.3    | 1156 | 1050   | 1.2  | 1.5     | 998  | 907    | 1.4  |         |      |         |      |         |      | 1.7     | 892  | 810    | 1.6  |         |      | 2.0    | 781  | 710    | 1.8  | 2.3    | 660  | 600    | 2.1  | 4.4    | 371  |         |      | 195.39 | 2.1  | 5.0    | 325  | 170.85 | 2.4  | 6.1    | 266  | 228.99 | 2.9  | F 67   | 4    | 7.1    | 227  | 195.39 | 3.4  | 8.1    | 199  |        |      | 170.85 | 3.9 | 4.3    | 380  | 199.70 | 1.49 |        |     | F 57   | 6    | 4.6    | 349  | 183.60 | 1.62 | 5.4    | 299  |        |      | 157.09 | 1.89 | 6.2    | 259  |        |      | 136.16 | 2.2  | 6.7    | 242  | 127.27 | 2.3  | 7.7    | 209  |        |      | 110.01 | 2.7 |        |      | 7.0    | 232  |        |      | 199.70 | 2.4  | F 57   | 4    | 7.6    | 213 | 183.60 | 2.6  |        |      | 8.8    | 183  |        |      |        |      | 157.09 | 3.1  | 10     | 158  | 136.16 | 3.6  |        |      |        |      | 11     | 148 | 127.27 | 3.8 | 4.5    | 360  | 189.39 | 1.0 |        |      | F 47   | 6    | 4.9    | 331 | 174.13 | 1.1 |        |     |        |     | 5.7    | 283 | 148.98 | 1.3 | 6.6    | 245 |        |     | 129.14 | 1.5  | 7.0    | 229 | 120.70 | 2.5 | 7.3    | 220  | 189.39 | 1.71 | F 47   | 4   |        |      | 8.0    | 202 | 174.13 | 1.86 | 9.3    | 173  |        |     |        |      | 148.98 | 2.2  | 11     | 150  | 129.14 | 2.5 |        |      | 12     | 140  |        |      | 120.70 | 2.7  |        |      |        |     |        |      |        |      |        |      |        |      |        |     |        |     |
| 0.59          | 2607       | 2369     | 2.8                    |             |         | 0.67          | 2276       |          |                        | 2068        | 3.2     |         |      |         |      | 4.7     | 328  | 298     | 1.72 | 5.3      | 288  | 262     | 1.96 | 6.2      | 249  | 226     | 2.3  | 7.0      | 220  | 300     | 2.6  | 0.32     | 4815 | 4375    | 0.84 | F 97R57  | 4    | 4.1     | 371  |         |      | 337     | 1.01 | F 47R17 | 4    |         |      |         |      | 0.35    | 4343 | 3946    | 0.9  |         |      |         |      | 0.41    | 3743 | 3401    | 1.1  |         |      |         |      | 0.47    | 3246 | 2949    | 1.2  |         |      |         |      | 0.54    | 2851 | 2590    | 1.4  |         |      |         |      | 0.61    | 2495 |         |      | 2267   | 1.6  |         |      |         |      |         |      |         |      |         |      | 0.70    | 2189 | 1989    | 1.8  |         |      | 0.80    | 1914 | 1739    | 2.1  | 0.90    | 1697 | 1542    | 2.4  | 1.0     | 1475 | 1340    | 2.7  | 1.2     | 1301 | 1182    | 3.1  | 6.0     | 253  | 230     | 1.49 | 6.4     | 238  | 216     | 1.58 | 7.4     | 207  | 188     | 1.82 | 7.9     | 194  | 176     | 1.94 | 0.48    | 3171 | 2881    | 0.9  |         |      | F 87R57 | 4    | 8.2    | 187  |         |      |         |      | 170    | 1.00 | F 37R17 | 4    |         |      |         |      | 0.54   | 2834 | 2575   | 1.0  |         |      |         |      | 0.63   | 2420 | 2199   | 1.2  |         |      |         |      | 0.72   | 2124 | 1930   | 1.3  |         |      | 0.81    | 1881 | 1709   | 1.5  | 0.93   | 1643 | 1493    | 1.7  | 1.1     | 1431 |         |      |         |      | 1300    | 2.0  | 1.2     | 1264 |         |      |         |      | 1148    | 2.2  | 1.4     | 1112 |         |      |         |      | 1010    | 2.5  | 1.6    | 976  |         |      | 887    | 2.9  |         |      | 1.8    | 859  | 780    | 3.3  | 8.3    | 185  | 168    | 1.02 | 10     | 146  | 133    | 1.28 | 11     | 142  | 129    | 1.32 |        |      | 3.0     | 536  | 281.71 | 2.6  | F 77    | 6    |        |      | 3.2     | 500  | 262.93 | 2.8  | 3.8     | 429  | 225.79  | 3.3  |         |      | 0.8    | 1902 | 1728   | 0.7  |        |      |         |      | F 77R37 | 4    | 3.7    | 435  |         |      |        |      | 228.99 | 1.77 | F 67   | 6    |         |      | 0.9     | 1698 | 1543   | 0.8  | 1.0    | 1490 | 1354   | 0.9  | 1.2    | 1316 | 1196    | 1.1  | 1.3    | 1156 |         |      |         |      |         |      | 1050    | 1.2  | 1.5    | 998  |         |      | 907    | 1.4  | 1.7    | 892  | 810    | 1.6  | 2.0    | 781  | 710    | 1.8  |         |      | 2.3    | 660  | 600    | 2.1  | 4.4    | 371  | 195.39 | 2.1  | 5.0    | 325  |        |      | 170.85 | 2.4  | 6.1    | 266  | 228.99 | 2.9  |        |      | F 67   | 4   | 7.1    | 227  | 195.39 | 3.4  | 8.1    | 199 |        |      | 170.85 | 3.9  | 4.3    | 380  | 199.70 | 1.49 |        |      | F 57   | 6    | 4.6    | 349  |        |      | 183.60 | 1.62 | 5.4    | 299  | 157.09 | 1.89 | 6.2    | 259  |        |      | 136.16 | 2.2 |        |      | 6.7    | 242  |        |      | 127.27 | 2.3  |        |      | 7.7    | 209 | 110.01 | 2.7  |        |      | 7.0    | 232  |        |      |        |      | 199.70 | 2.4  | F 57   | 4    | 7.6    | 213  |        |      |        |      | 183.60 | 2.6 | 8.8    | 183 | 157.09 | 3.1  | 10     | 158 |        |      |        |      | 136.16 | 3.6 | 11     | 148 |        |     | 127.27 | 3.8 | 4.5    | 360 | 189.39 | 1.0 | F 47   | 6   |        |     | 4.9    | 331  | 174.13 | 1.1 | 5.7    | 283 | 148.98 | 1.3  | 6.6    | 245  |        |     |        |      | 129.14 | 1.5 | 7.0    | 229  | 120.70 | 2.5  |        |     |        |      | 7.3    | 220  | 189.39 | 1.71 | F 47   | 4   | 8.0    | 202  | 174.13 | 1.86 |        |      | 9.3    | 173  | 148.98 | 2.2  | 11     | 150 |        |      | 129.14 | 2.5  | 12     | 140  | 120.70 | 2.7  |        |     |        |     |
| 0.67          | 2276       | 2068     | 3.2                    |             |         | 4.7           | 328        | 298      | 1.72                   | 5.3         | 288     |         |      | 262     | 1.96 | 6.2     | 249  | 226     | 2.3  | 7.0      | 220  | 300     | 2.6  | 0.32     | 4815 | 4375    | 0.84 | F 97R57  | 4    | 4.1     | 371  | 337      | 1.01 | F 47R17 | 4    |          |      | 0.35    | 4343 |         |      | 3946    | 0.9  |         |      |         |      |         |      | 0.41    | 3743 | 3401    | 1.1  |         |      |         |      | 0.47    | 3246 | 2949    | 1.2  |         |      |         |      | 0.54    | 2851 | 2590    | 1.4  |         |      |         |      | 0.61    | 2495 | 2267    | 1.6  |         |      |         |      | 0.70    | 2189 |         |      | 1989   | 1.8  |         |      |         |      |         |      |         |      | 0.80    | 1914 | 1739    | 2.1  | 0.90    | 1697 | 1542    | 2.4  | 1.0     | 1475 | 1340    | 2.7  | 1.2     | 1301 | 1182    | 3.1  | 6.0     | 253  | 230     | 1.49 | 6.4     | 238  | 216     | 1.58 | 7.4     | 207  | 188     | 1.82 | 7.9     | 194  | 176     | 1.94 | 0.48    | 3171 | 2881    | 0.9  | F 87R57 | 4    | 8.2     | 187  | 170     | 1.00 | F 37R17 | 4    |         |      |         |      | 0.54   | 2834 |         |      |         |      | 2575   | 1.0  |         |      |         |      |         |      | 0.63   | 2420 | 2199   | 1.2  |         |      |         |      | 0.72   | 2124 | 1930   | 1.3  |         |      |         |      | 0.81   | 1881 | 1709   | 1.5  |         |      | 0.93    | 1643 | 1493   | 1.7  | 1.1    | 1431 | 1300    | 2.0  | 1.2     | 1264 |         |      |         |      | 1148    | 2.2  | 1.4     | 1112 | 1010    | 2.5  |         |      | 1.6     | 976  | 887     | 2.9  |         |      | 1.8     | 859  | 780     | 3.3  | 8.3    | 185  |         |      | 168    | 1.02 |         |      | 10     | 146  | 133    | 1.28 | 11     | 142  | 129    | 1.32 | 3.0    | 536  | 281.71 | 2.6  | F 77   | 6    | 3.2    | 500  |        |      | 262.93  | 2.8  | 3.8    | 429  |         |      | 225.79 | 3.3  | 0.8     | 1902 | 1728   | 0.7  | F 77R37 | 4    | 3.7     | 435  |         |      | 228.99 | 1.77 | F 67   | 6    |        |      |         |      |         |      | 0.9    | 1698 |         |      | 1543   | 0.8  | 1.0    | 1490 |        |      |         |      | 1354    | 0.9  | 1.2    | 1316 | 1196   | 1.1  | 1.3    | 1156 | 1050   | 1.2  | 1.5     | 998  | 907    | 1.4  | 1.7     | 892  |         |      |         |      | 810     | 1.6  | 2.0    | 781  |         |      | 710    | 1.8  | 2.3    | 660  | 600    | 2.1  | 4.4    | 371  | 195.39 | 2.1  |         |      | 5.0    | 325  | 170.85 | 2.4  | 6.1    | 266  | 228.99 | 2.9  | F 67   | 4    |        |      | 7.1    | 227  | 195.39 | 3.4  | 8.1    | 199  | 170.85 | 3.9  |        |     | 4.3    | 380  | 199.70 | 1.49 | F 57   | 6   |        |      | 4.6    | 349  | 183.60 | 1.62 | 5.4    | 299  |        |      |        |      | 157.09 | 1.89 |        |      | 6.2    | 259  | 136.16 | 2.2  | 6.7    | 242  | 127.27 | 2.3  |        |      | 7.7    | 209 | 110.01 | 2.7  | 7.0    | 232  |        |      | 199.70 | 2.4  |        |      | F 57   | 4   | 7.6    | 213  |        |      | 183.60 | 2.6  |        |      |        |      | 8.8    | 183  |        |      | 157.09 | 3.1  |        |      |        |      | 10     | 158 | 136.16 | 3.6 | 11     | 148  | 127.27 | 3.8 | 4.5    | 360  |        |      | 189.39 | 1.0 | F 47   | 6   |        |     | 4.9    | 331 | 174.13 | 1.1 | 5.7    | 283 |        |     |        |     | 148.98 | 1.3  | 6.6    | 245 | 129.14 | 1.5 | 7.0    | 229  | 120.70 | 2.5  |        |     |        |      | 7.3    | 220 | 189.39 | 1.71 | F 47   | 4    | 8.0    | 202 |        |      | 174.13 | 1.86 | 9.3    | 173  |        |     | 148.98 | 2.2  | 11     | 150  |        |      | 129.14 | 2.5  | 12     | 140  | 120.70 | 2.7 |        |      |        |      |        |      |        |      |        |     |        |     |
| 4.7           | 328        | 298      | 1.72                   | 5.3         | 288     | 262           | 1.96       | 6.2      | 249                    | 226         | 2.3     | 7.0     | 220  | 300     | 2.6  | 0.32    | 4815 | 4375    | 0.84 | F 97R57  | 4    | 4.1     | 371  | 337      | 1.01 | F 47R17 | 4    |          |      | 0.35    | 4343 | 3946     | 0.9  |         |      |          |      | 0.41    | 3743 |         |      | 3401    | 1.1  |         |      |         |      |         |      | 0.47    | 3246 | 2949    | 1.2  |         |      |         |      | 0.54    | 2851 | 2590    | 1.4  |         |      |         |      | 0.61    | 2495 | 2267    | 1.6  |         |      |         |      | 0.70    | 2189 | 1989    | 1.8  |         |      |         |      | 0.80    | 1914 |         |      | 1739   | 2.1  |         |      |         |      |         |      |         |      | 0.90    | 1697 | 1542    | 2.4  | 1.0     | 1475 | 1340    | 2.7  | 1.2     | 1301 | 1182    | 3.1  | 6.0     | 253  | 230     | 1.49 | 6.4     | 238  | 216     | 1.58 | 7.4     | 207  | 188     | 1.82 | 7.9     | 194  | 176     | 1.94 | 0.48    | 3171 | 2881    | 0.9  | F 87R57 | 4    | 8.2     | 187  |         |      | 170     | 1.00 | F 37R17 | 4    |         |      |         |      |         |      | 0.54   | 2834 |         |      |         |      | 2575   | 1.0  |         |      |         |      |         |      | 0.63   | 2420 | 2199   | 1.2  |         |      |         |      | 0.72   | 2124 | 1930   | 1.3  |         |      |         |      | 0.81   | 1881 | 1709   | 1.5  |         |      | 0.93    | 1643 | 1493   | 1.7  | 1.1    | 1431 | 1300    | 2.0  | 1.2     | 1264 |         |      |         |      | 1148    | 2.2  | 1.4     | 1112 | 1010    | 2.5  |         |      | 1.6     | 976  | 887     | 2.9  |         |      | 1.8     | 859  | 780     | 3.3  | 8.3    | 185  |         |      | 168    | 1.02 |         |      | 10     | 146  | 133    | 1.28 | 11     | 142  | 129    | 1.32 | 3.0    | 536  | 281.71 | 2.6  |        |      | F 77   | 6    | 3.2    | 500  | 262.93  | 2.8  | 3.8    | 429  |         |      | 225.79 | 3.3  | 0.8     | 1902 | 1728   | 0.7  |         |      | F 77R37 | 4    |         |      | 3.7    | 435  |        |      | 228.99 | 1.77 |         |      |         |      | F 67   | 6    |         |      | 0.9    | 1698 | 1543   | 0.8  |        |      |         |      | 1.0     | 1490 | 1354   | 0.9  | 1.2    | 1316 | 1196   | 1.1  | 1.3    | 1156 | 1050    | 1.2  | 1.5    | 998  | 907     | 1.4  |         |      |         |      | 1.7     | 892  | 810    | 1.6  |         |      | 2.0    | 781  | 710    | 1.8  | 2.3    | 660  | 600    | 2.1  | 4.4    | 371  |         |      | 195.39 | 2.1  | 5.0    | 325  | 170.85 | 2.4  | 6.1    | 266  |        |      | 228.99 | 2.9  | F 67   | 4    | 7.1    | 227  | 195.39 | 3.4  | 8.1    | 199  |        |     | 170.85 | 3.9  | 4.3    | 380  |        |     |        |      | 199.70 | 1.49 | F 57   | 6    | 4.6    | 349  |        |      |        |      | 183.60 | 1.62 |        |      | 5.4    | 299  | 157.09 | 1.89 | 6.2    | 259  | 136.16 | 2.2  |        |      | 6.7    | 242 | 127.27 | 2.3  | 7.7    | 209  |        |      | 110.01 | 2.7  |        |      |        |     | 7.0    | 232  |        |      | 199.70 | 2.4  |        |      |        |      | F 57   | 4    |        |      | 7.6    | 213  |        |      | 183.60 | 2.6  | 8.8    | 183 | 157.09 | 3.1 | 10     | 158  | 136.16 | 3.6 | 11     | 148  |        |      | 127.27 | 3.8 |        |     |        |     | 4.5    | 360 | 189.39 | 1.0 | F 47   | 6   |        |     |        |     | 4.9    | 331  | 174.13 | 1.1 | 5.7    | 283 | 148.98 | 1.3  | 6.6    | 245  |        |     | 129.14 | 1.5  | 7.0    | 229 | 120.70 | 2.5  |        |      | 7.3    | 220 |        |      | 189.39 | 1.71 | F 47   | 4    |        |     | 8.0    | 202  | 174.13 | 1.86 |        |      | 9.3    | 173  | 148.98 | 2.2  | 11     | 150 | 129.14 | 2.5  | 12     | 140  | 120.70 | 2.7  |        |      |        |     |        |     |
| 5.3           | 288        | 262      | 1.96                   | 6.2         | 249     | 226           | 2.3        | 7.0      | 220                    | 300         | 2.6     | 0.32    | 4815 | 4375    | 0.84 | F 97R57 | 4    | 4.1     | 371  |          |      | 337     | 1.01 | F 47R17  | 4    |         |      |          |      | 0.35    | 4343 | 3946     | 0.9  |         |      |          |      | 0.41    | 3743 |         |      | 3401    | 1.1  |         |      |         |      |         |      | 0.47    | 3246 | 2949    | 1.2  |         |      |         |      | 0.54    | 2851 | 2590    | 1.4  |         |      |         |      | 0.61    | 2495 | 2267    | 1.6  |         |      |         |      | 0.70    | 2189 | 1989    | 1.8  |         |      |         |      | 0.80    | 1914 |         |      | 1739   | 2.1  | 0.90    | 1697 |         |      |         |      | 1542    | 2.4  | 1.0     | 1475 | 1340    | 2.7  | 1.2     | 1301 | 1182    | 3.1  | 6.0     | 253  | 230     | 1.49 | 6.4     | 238  | 216     | 1.58 | 7.4     | 207  | 188     | 1.82 | 7.9     | 194  | 176     | 1.94 | 0.48    | 3171 | 2881    | 0.9  | F 87R57 | 4    | 8.2     | 187  |         |      | 170     | 1.00 |         |      | F 37R17 | 4    |         |      |         |      |         |      |         |      | 0.54   | 2834 |         |      |         |      | 2575   | 1.0  |         |      |         |      |         |      | 0.63   | 2420 | 2199   | 1.2  |         |      |         |      | 0.72   | 2124 | 1930   | 1.3  |         |      |         |      | 0.81   | 1881 | 1709   | 1.5  |         |      | 0.93    | 1643 | 1493   | 1.7  | 1.1    | 1431 | 1300    | 2.0  | 1.2     | 1264 | 1148    | 2.2  |         |      | 1.4     | 1112 | 1010    | 2.5  | 1.6     | 976  |         |      | 887     | 2.9  | 1.8     | 859  | 780     | 3.3  | 8.3     | 185  | 168     | 1.02 | 10     | 146  |         |      | 133    | 1.28 |         |      | 11     | 142  | 129    | 1.32 | 3.0    | 536  | 281.71 | 2.6  | F 77   | 6    | 3.2    | 500  |        |      |        |      | 262.93 | 2.8  | 3.8     | 429  | 225.79 | 3.3  | 0.8     | 1902 | 1728   | 0.7  | F 77R37 | 4    | 3.7    | 435  |         |      |         |      |         |      | 228.99 | 1.77 |        |      | F 67   | 6    |         |      |         |      |        |      |         |      | 0.9    | 1698 | 1543   | 0.8  | 1.0    | 1490 |         |      | 1354    | 0.9  | 1.2    | 1316 | 1196   | 1.1  | 1.3    | 1156 | 1050   | 1.2  | 1.5     | 998  | 907    | 1.4  | 1.7     | 892  | 810     | 1.6  |         |      | 2.0     | 781  | 710    | 1.8  |         |      | 2.3    | 660  | 600    | 2.1  | 4.4    | 371  | 195.39 | 2.1  | 5.0    | 325  |         |      | 170.85 | 2.4  | 6.1    | 266  | 228.99 | 2.9  | F 67   | 4    |        |      | 7.1    | 227  |        |      | 195.39 | 3.4  | 8.1    | 199  | 170.85 | 3.9  | 4.3    | 380 | 199.70 | 1.49 | F 57   | 6    |        |     |        |      | 4.6    | 349  |        |      | 183.60 | 1.62 |        |      |        |      | 5.4    | 299  |        |      | 157.09 | 1.89 | 6.2    | 259  | 136.16 | 2.2  | 6.7    | 242  |        |      | 127.27 | 2.3 | 7.7    | 209  | 110.01 | 2.7  | 7.0    | 232  | 199.70 | 2.4  |        |      |        |     | F 57   | 4    |        |      | 7.6    | 213  |        |      | 183.60 | 2.6  |        |      |        |      | 8.8    | 183  |        |      | 157.09 | 3.1  | 10     | 158 | 136.16 | 3.6 | 11     | 148  | 127.27 | 3.8 | 4.5    | 360  |        |      | 189.39 | 1.0 |        |     |        |     | F 47   | 6   | 4.9    | 331 |        |     |        |     | 174.13 | 1.1 | 5.7    | 283  | 148.98 | 1.3 | 6.6    | 245 | 129.14 | 1.5  | 7.0    | 229  |        |     | 120.70 | 2.5  | 7.3    | 220 | 189.39 | 1.71 |        |      | F 47   | 4   |        |      | 8.0    | 202  |        |      |        |     | 174.13 | 1.86 | 9.3    | 173  | 148.98 | 2.2  | 11     | 150  | 129.14 | 2.5  | 12     | 140 | 120.70 | 2.7  |        |      |        |      |        |      |        |     |        |     |
| 6.2           | 249        | 226      | 2.3                    | 7.0         | 220     | 300           | 2.6        | 0.32     | 4815                   | 4375        | 0.84    | F 97R57 | 4    | 4.1     | 371  |         |      | 337     | 1.01 |          |      | F 47R17 | 4    |          |      |         |      |          |      | 0.35    | 4343 | 3946     | 0.9  |         |      |          |      | 0.41    | 3743 |         |      | 3401    | 1.1  |         |      |         |      |         |      | 0.47    | 3246 | 2949    | 1.2  |         |      |         |      | 0.54    | 2851 | 2590    | 1.4  |         |      |         |      | 0.61    | 2495 | 2267    | 1.6  |         |      |         |      | 0.70    | 2189 | 1989    | 1.8  |         |      |         |      | 0.80    | 1914 | 1739    | 2.1  | 0.90   | 1697 | 1542    | 2.4  |         |      | 1.0     | 1475 | 1340    | 2.7  | 1.2     | 1301 | 1182    | 3.1  | 6.0     | 253  | 230     | 1.49 | 6.4     | 238  | 216     | 1.58 | 7.4     | 207  | 188     | 1.82 | 7.9     | 194  | 176     | 1.94 | 0.48    | 3171 | 2881    | 0.9  | F 87R57 | 4    | 8.2     | 187  |         |      | 170     | 1.00 |         |      | F 37R17 | 4    |         |      |         |      |         |      |         |      |         |      |         |      | 0.54   | 2834 |         |      |         |      | 2575   | 1.0  |         |      |         |      |         |      | 0.63   | 2420 | 2199   | 1.2  |         |      |         |      | 0.72   | 2124 | 1930   | 1.3  |         |      |         |      | 0.81   | 1881 | 1709   | 1.5  |         |      | 0.93    | 1643 | 1493   | 1.7  | 1.1    | 1431 | 1300    | 2.0  | 1.2     | 1264 | 1148    | 2.2  | 1.4     | 1112 | 1010    | 2.5  | 1.6     | 976  | 887     | 2.9  |         |      | 1.8     | 859  | 780     | 3.3  | 8.3     | 185  | 168     | 1.02 | 10      | 146  | 133    | 1.28 | 11      | 142  | 129    | 1.32 |         |      | 3.0    | 536  | 281.71 | 2.6  | F 77   | 6    | 3.2    | 500  |        |      | 262.93 | 2.8  | 3.8    | 429  |        |      | 225.79 | 3.3  | 0.8     | 1902 | 1728   | 0.7  | F 77R37 | 4    | 3.7    | 435  |         |      | 228.99 | 1.77 |         |      |         |      |         |      | F 67   | 6    | 0.9    | 1698 |        |      |         |      |         |      |        |      |         |      | 1543   | 0.8  | 1.0    | 1490 | 1354   | 0.9  |         |      | 1.2     | 1316 | 1196   | 1.1  | 1.3    | 1156 | 1050   | 1.2  | 1.5    | 998  | 907     | 1.4  | 1.7    | 892  | 810     | 1.6  | 2.0     | 781  |         |      | 710     | 1.8  | 2.3    | 660  | 600     | 2.1  | 4.4    | 371  | 195.39 | 2.1  | 5.0    | 325  | 170.85 | 2.4  | 6.1    | 266  |         |      | 228.99 | 2.9  | F 67   | 4    | 7.1    | 227  |        |      | 195.39 | 3.4  | 8.1    | 199  |        |      | 170.85 | 3.9  | 4.3    | 380  | 199.70 | 1.49 | F 57   | 6   | 4.6    | 349  |        |      |        |     |        |      | 183.60 | 1.62 |        |      | 5.4    | 299  |        |      |        |      | 157.09 | 1.89 |        |      | 6.2    | 259  | 136.16 | 2.2  | 6.7    | 242  | 127.27 | 2.3  |        |      | 7.7    | 209 | 110.01 | 2.7  | 7.0    | 232  | 199.70 | 2.4  | F 57   | 4    | 7.6    | 213  |        |     |        |      | 183.60 | 2.6  | 8.8    | 183  |        |      | 157.09 | 3.1  |        |      |        |      | 10     | 158  |        |      | 136.16 | 3.6  | 11     | 148 | 127.27 | 3.8 | 4.5    | 360  | 189.39 | 1.0 | F 47   | 6    |        |      | 4.9    | 331 |        |     | 174.13 | 1.1 |        |     | 5.7    | 283 |        |     |        |     | 148.98 | 1.3 | 6.6    | 245  | 129.14 | 1.5 | 7.0    | 229 | 120.70 | 2.5  | 7.3    | 220  |        |     | 189.39 | 1.71 | F 47   | 4   | 8.0    | 202  |        |      |        |     | 174.13 | 1.86 | 9.3    | 173  |        |      |        |     | 148.98 | 2.2  | 11     | 150  | 129.14 | 2.5  | 12     | 140  | 120.70 | 2.7  |        |     |        |      |        |      |        |      |        |      |        |     |        |     |
| 7.0           | 220        | 300      | 2.6                    | 0.32        | 4815    | 4375          | 0.84       | F 97R57  | 4                      | 4.1         | 371     |         |      | 337     | 1.01 |         |      | F 47R17 | 4    |          |      |         |      |          |      |         |      |          |      | 0.35    | 4343 | 3946     | 0.9  |         |      |          |      | 0.41    | 3743 |         |      | 3401    | 1.1  |         |      |         |      |         |      | 0.47    | 3246 | 2949    | 1.2  |         |      |         |      | 0.54    | 2851 | 2590    | 1.4  |         |      |         |      | 0.61    | 2495 | 2267    | 1.6  |         |      |         |      | 0.70    | 2189 | 1989    | 1.8  |         |      | 0.80    | 1914 | 1739    | 2.1  | 0.90    | 1697 | 1542   | 2.4  | 1.0     | 1475 | 1340    | 2.7  | 1.2     | 1301 | 1182    | 3.1  | 6.0     | 253  | 230     | 1.49 | 6.4     | 238  | 216     | 1.58 | 7.4     | 207  | 188     | 1.82 | 7.9     | 194  | 176     | 1.94 | 0.48    | 3171 | 2881    | 0.9  | F 87R57 | 4    | 8.2     | 187  |         |      | 170     | 1.00 |         |      | F 37R17 | 4    |         |      |         |      |         |      |         |      |         |      |         |      |         |      |         |      | 0.54   | 2834 |         |      |         |      | 2575   | 1.0  |         |      |         |      |         |      | 0.63   | 2420 | 2199   | 1.2  |         |      |         |      | 0.72   | 2124 | 1930   | 1.3  |         |      |         |      | 0.81   | 1881 | 1709   | 1.5  |         |      | 0.93    | 1643 | 1493   | 1.7  | 1.1    | 1431 | 1300    | 2.0  | 1.2     | 1264 | 1148    | 2.2  | 1.4     | 1112 | 1010    | 2.5  | 1.6     | 976  | 887     | 2.9  | 1.8     | 859  | 780     | 3.3  | 8.3     | 185  | 168     | 1.02 | 10      | 146  | 133     | 1.28 | 11     | 142  | 129     | 1.32 | 3.0    | 536  | 281.71  | 2.6  | F 77   | 6    | 3.2    | 500  |        |      | 262.93 | 2.8  |        |      | 3.8    | 429  | 225.79 | 3.3  | 0.8    | 1902 | 1728   | 0.7  | F 77R37 | 4    | 3.7    | 435  |         |      | 228.99 | 1.77 |         |      | F 67   | 6    |         |      |         |      |         |      |        |      | 0.9    | 1698 |        |      |         |      |         |      | 1543   | 0.8  |         |      | 1.0    | 1490 | 1354   | 0.9  | 1.2    | 1316 |         |      | 1196    | 1.1  | 1.3    | 1156 | 1050   | 1.2  | 1.5    | 998  | 907    | 1.4  | 1.7     | 892  | 810    | 1.6  | 2.0     | 781  | 710     | 1.8  |         |      | 2.3     | 660  | 600    | 2.1  | 4.4     | 371  | 195.39 | 2.1  | 5.0    | 325  | 170.85 | 2.4  | 6.1    | 266  | 228.99 | 2.9  | F 67    | 4    | 7.1    | 227  |        |      | 195.39 | 3.4  |        |      | 8.1    | 199  | 170.85 | 3.9  | 4.3    | 380  | 199.70 | 1.49 | F 57   | 6    | 4.6    | 349  |        |     | 183.60 | 1.62 |        |      |        |     |        |      | 5.4    | 299  |        |      | 157.09 | 1.89 |        |      |        |      | 6.2    | 259  |        |      | 136.16 | 2.2  | 6.7    | 242  | 127.27 | 2.3  | 7.7    | 209  |        |      | 110.01 | 2.7 | 7.0    | 232  | 199.70 | 2.4  | F 57   | 4    |        |      | 7.6    | 213  |        |     |        |      | 183.60 | 2.6  | 8.8    | 183  |        |      | 157.09 | 3.1  |        |      | 10     | 158  | 136.16 | 3.6  | 11     | 148  | 127.27 | 3.8  | 4.5    | 360 | 189.39 | 1.0 | F 47   | 6    | 4.9    | 331 |        |      | 174.13 | 1.1  | 5.7    | 283 |        |     | 148.98 | 1.3 |        |     | 6.6    | 245 |        |     |        |     | 129.14 | 1.5 | 7.0    | 229  | 120.70 | 2.5 | 7.3    | 220 | 189.39 | 1.71 | F 47   | 4    | 8.0    | 202 | 174.13 | 1.86 |        |     | 9.3    | 173  |        |      |        |     | 148.98 | 2.2  | 11     | 150  |        |      |        |     | 129.14 | 2.5  | 12     | 140  | 120.70 | 2.7  |        |      |        |      |        |     |        |      |        |      |        |      |        |      |        |     |        |     |
| 0.32          | 4815       | 4375     | 0.84                   | F 97R57     | 4       | 4.1           | 371        |          |                        | 337         | 1.01    |         |      | F 47R17 | 4    |         |      |         |      |          |      |         |      |          |      |         |      |          |      |         |      |          |      |         |      |          |      |         |      |         |      |         |      |         |      |         |      |         |      |         |      |         |      |         |      |         |      |         |      |         |      |         |      |         |      |         |      |         |      |         |      |         |      |         |      |         |      |         |      |         |      |         |      |         |      |        |      |         |      |         |      |         |      |         |      |         |      |         |      |         |      |         |      |         |      |         |      |         |      |         |      |         |      |         |      |         |      |         |      |         |      |         |      |         |      |         |      |         |      |         |      |         |      |         |      |         |      |         |      |         |      |         |      |        |      |         |      |         |      |        |      |         |      |         |      |         |      |        |      |        |      |         |      |         |      |        |      |        |      |         |      |         |      |        |      |        |      |         |      |         |      |        |      |        |      |         |      |         |      |         |      |         |      |         |      |         |      |         |      |         |      |         |      |         |      |         |      |         |      |         |      |        |      |         |      |        |      |         |      |        |      |        |      |        |      |        |      |        |      |        |      |        |      |        |      |        |      |         |      |        |      |         |      |        |      |         |      |        |      |         |      |         |      |         |      |        |      |        |      |        |      |         |      |         |      |        |      |         |      |        |      |        |      |        |      |         |      |         |      |        |      |        |      |        |      |        |      |         |      |        |      |         |      |         |      |         |      |         |      |        |      |         |      |        |      |        |      |        |      |        |      |        |      |         |      |        |      |        |      |        |      |        |      |        |      |        |      |        |      |        |      |        |      |        |      |        |     |        |      |        |      |        |     |        |      |        |      |        |      |        |      |        |      |        |      |        |      |        |      |        |      |        |      |        |      |        |      |        |      |        |     |        |      |        |      |        |      |        |      |        |      |        |     |        |      |        |      |        |      |        |      |        |      |        |      |        |      |        |      |        |      |        |      |        |     |        |     |        |      |        |     |        |      |        |      |        |     |        |     |        |     |        |     |        |     |        |     |        |     |        |     |        |      |        |     |        |     |        |      |        |      |        |     |        |      |        |     |        |      |        |      |        |     |        |      |        |      |        |      |        |     |        |      |        |      |        |      |        |      |        |      |        |     |        |      |        |      |        |      |        |      |        |     |        |     |
| 0.35          | 4343       | 3946     | 0.9                    |             |         | 0.41          | 3743       |          |                        | 3401        | 1.1     |         |      |         |      |         |      |         |      |          |      |         |      |          |      |         |      |          |      | 0.47    | 3246 | 2949     | 1.2  |         |      |          |      | 0.54    | 2851 |         |      | 2590    | 1.4  |         |      |         |      |         |      | 0.61    | 2495 | 2267    | 1.6  |         |      |         |      | 0.70    | 2189 | 1989    | 1.8  |         |      | 0.80    | 1914 | 1739    | 2.1  | 0.90    | 1697 | 1542    | 2.4  | 1.0     | 1475 | 1340    | 2.7  | 1.2     | 1301 | 1182    | 3.1  | 6.0     | 253  | 230     | 1.49 | 6.4     | 238  | 216    | 1.58 | 7.4     | 207  | 188     | 1.82 | 7.9     | 194  | 176     | 1.94 | 0.48    | 3171 | 2881    | 0.9  | F 87R57 | 4    | 8.2     | 187  | 170     | 1.00 | F 37R17 | 4    | 0.54    | 2834 | 2575    | 1.0  | 0.63    | 2420 | 2199    | 1.2  |         |      | 0.72    | 2124 |         |      | 1930    | 1.3  |         |      |         |      |         |      |         |      |         |      |         |      |         |      |         |      |         |      |         |      | 0.81   | 1881 |         |      |         |      | 1709   | 1.5  |         |      |         |      |         |      | 0.93   | 1643 | 1493   | 1.7  |         |      | 1.1     | 1431 | 1300   | 2.0  | 1.2    | 1264 | 1148    | 2.2  | 1.4     | 1112 | 1010   | 2.5  | 1.6    | 976  | 887     | 2.9  | 1.8     | 859  | 780    | 3.3  | 8.3    | 185  | 168     | 1.02 | 10      | 146  | 133     | 1.28 | 11      | 142  | 129     | 1.32 | 3.0     | 536  | 281.71  | 2.6  | F 77    | 6    | 3.2     | 500  | 262.93  | 2.8  | 3.8     | 429  | 225.79  | 3.3  | 0.8     | 1902 | 1728   | 0.7  | F 77R37 | 4    | 3.7    | 435  | 228.99  | 1.77 |        |      | F 67   | 6    | 0.9    | 1698 | 1543   | 0.8  | 1.0    | 1490 | 1354   | 0.9  | 1.2    | 1316 | 1196   | 1.1  | 1.3    | 1156 |         |      | 1050   | 1.2  |         |      | 1.5    | 998  |         |      |        |      |         |      |         |      |         |      | 907    | 1.4  | 1.7    | 892  | 810    | 1.6  |         |      |         |      | 2.0    | 781  |         |      | 710    | 1.8  | 2.3    | 660  | 600    | 2.1  | 4.4     | 371  | 195.39  | 2.1  | 5.0    | 325  | 170.85 | 2.4  | 6.1    | 266  | 228.99 | 2.9  | F 67    | 4    | 7.1    | 227  | 195.39  | 3.4  | 8.1     | 199  | 170.85  | 3.9  | 4.3     | 380  | 199.70 | 1.49 | F 57    | 6    | 4.6    | 349  | 183.60 | 1.62 | 5.4    | 299  | 157.09 | 1.89 | 6.2    | 259  |         |      | 136.16 | 2.2  | 6.7    | 242  | 127.27 | 2.3  | 7.7    | 209  | 110.01 | 2.7  | 7.0    | 232  | 199.70 | 2.4  | F 57   | 4    |        |      | 7.6    | 213  |        |     | 183.60 | 2.6  |        |      |        |     |        |      | 8.8    | 183  |        |      | 157.09 | 3.1  |        |      |        |      | 10     | 158  |        |      | 136.16 | 3.6  | 11     | 148  | 127.27 | 3.8  | 4.5    | 360  | 189.39 | 1.0  | F 47   | 6   | 4.9    | 331  | 174.13 | 1.1  |        |      |        |      | 5.7    | 283  | 148.98 | 1.3 |        |      | 6.6    | 245  | 129.14 | 1.5  | 7.0    | 229  | 120.70 | 2.5  | 7.3    | 220  | 189.39 | 1.71 | F 47   | 4    | 8.0    | 202  | 174.13 | 1.86 | 9.3    | 173 | 148.98 | 2.2 |        |      | 11     | 150 |        |      | 129.14 | 2.5  | 12     | 140 | 120.70 | 2.7 |        |     |        |     |        |     |        |     |        |     |        |     |        |      |        |     |        |     |        |      |        |      |        |     |        |      |        |     |        |      |        |      |        |     |        |      |        |      |        |      |        |     |        |      |        |      |        |      |        |      |        |      |        |     |        |      |        |      |        |      |        |      |        |     |        |     |
| 0.41          | 3743       | 3401     | 1.1                    |             |         | 0.47          | 3246       |          |                        | 2949        | 1.2     |         |      |         |      |         |      |         |      |          |      |         |      |          |      |         |      |          |      | 0.54    | 2851 | 2590     | 1.4  |         |      |          |      | 0.61    | 2495 |         |      | 2267    | 1.6  |         |      |         |      |         |      | 0.70    | 2189 | 1989    | 1.8  |         |      | 0.80    | 1914 | 1739    | 2.1  | 0.90    | 1697 | 1542    | 2.4  | 1.0     | 1475 | 1340    | 2.7  | 1.2     | 1301 | 1182    | 3.1  | 6.0     | 253  | 230     | 1.49 | 6.4     | 238  | 216     | 1.58 | 7.4     | 207  | 188     | 1.82 | 7.9     | 194  | 176    | 1.94 | 0.48    | 3171 | 2881    | 0.9  | F 87R57 | 4    | 8.2     | 187  | 170     | 1.00 | F 37R17 | 4    |         |      | 0.54    | 2834 | 2575    | 1.0  |         |      | 0.63    | 2420 | 2199    | 1.2  | 0.72    | 2124 | 1930    | 1.3  |         |      | 0.81    | 1881 |         |      | 1709    | 1.5  |         |      |         |      |         |      |         |      |         |      |         |      |         |      |         |      |         |      |         |      | 0.93   | 1643 |         |      |         |      | 1493   | 1.7  |         |      |         |      | 1.1     | 1431 | 1300   | 2.0  | 1.2    | 1264 | 1148    | 2.2  | 1.4     | 1112 | 1010   | 2.5  | 1.6    | 976  | 887     | 2.9  | 1.8     | 859  | 780    | 3.3  | 8.3    | 185  | 168     | 1.02 | 10      | 146  | 133    | 1.28 | 11     | 142  | 129     | 1.32 | 3.0     | 536  | 281.71  | 2.6  | F 77    | 6    | 3.2     | 500  | 262.93  | 2.8  | 3.8     | 429  |         |      | 225.79  | 3.3  | 0.8     | 1902 | 1728    | 0.7  | F 77R37 | 4    | 3.7     | 435  | 228.99 | 1.77 |         |      | F 67   | 6    | 0.9     | 1698 | 1543   | 0.8  |        |      | 1.0    | 1490 | 1354   | 0.9  | 1.2    | 1316 | 1196   | 1.1  | 1.3    | 1156 | 1050   | 1.2  | 1.5    | 998  |         |      | 907    | 1.4  |         |      | 1.7    | 892  |         |      | 810    | 1.6  |         |      |         |      |         |      | 2.0    | 781  | 710    | 1.8  | 2.3    | 660  |         |      |         |      | 600    | 2.1  | 4.4     | 371  | 195.39 | 2.1  | 5.0    | 325  | 170.85 | 2.4  | 6.1     | 266  | 228.99  | 2.9  | F 67   | 4    | 7.1    | 227  | 195.39 | 3.4  | 8.1    | 199  |         |      | 170.85 | 3.9  | 4.3     | 380  | 199.70  | 1.49 | F 57    | 6    | 4.6     | 349  | 183.60 | 1.62 |         |      | 5.4    | 299  | 157.09 | 1.89 | 6.2    | 259  | 136.16 | 2.2  | 6.7    | 242  | 127.27  | 2.3  | 7.7    | 209  | 110.01 | 2.7  | 7.0    | 232  | 199.70 | 2.4  | F 57   | 4    | 7.6    | 213  | 183.60 | 2.6  |        |      |        |      | 8.8    | 183  |        |     | 157.09 | 3.1  |        |      |        |     |        |      | 10     | 158  |        |      | 136.16 | 3.6  |        |      |        |      | 11     | 148  | 127.27 | 3.8  | 4.5    | 360  | 189.39 | 1.0  | F 47   | 6    | 4.9    | 331  | 174.13 | 1.1  |        |     | 5.7    | 283  | 148.98 | 1.3  |        |      |        |      | 6.6    | 245  | 129.14 | 1.5 | 7.0    | 229  | 120.70 | 2.5  | 7.3    | 220  | 189.39 | 1.71 | F 47   | 4    | 8.0    | 202  | 174.13 | 1.86 |        |      | 9.3    | 173  | 148.98 | 2.2  | 11     | 150 | 129.14 | 2.5 |        |      | 12     | 140 |        |      | 120.70 | 2.7  |        |     |        |     |        |     |        |     |        |     |        |     |        |     |        |     |        |      |        |     |        |     |        |      |        |      |        |     |        |      |        |     |        |      |        |      |        |     |        |      |        |      |        |      |        |     |        |      |        |      |        |      |        |      |        |      |        |     |        |      |        |      |        |      |        |      |        |     |        |     |
| 0.47          | 3246       | 2949     | 1.2                    |             |         | 0.54          | 2851       |          |                        | 2590        | 1.4     |         |      |         |      |         |      |         |      |          |      |         |      |          |      |         |      |          |      | 0.61    | 2495 | 2267     | 1.6  |         |      |          |      | 0.70    | 2189 |         |      | 1989    | 1.8  |         |      |         |      | 0.80    | 1914 | 1739    | 2.1  | 0.90    | 1697 | 1542    | 2.4  | 1.0     | 1475 | 1340    | 2.7  | 1.2     | 1301 | 1182    | 3.1  | 6.0     | 253  | 230     | 1.49 | 6.4     | 238  | 216     | 1.58 | 7.4     | 207  | 188     | 1.82 | 7.9     | 194  | 176     | 1.94 | 0.48    | 3171 | 2881    | 0.9  | F 87R57 | 4    | 8.2    | 187  | 170     | 1.00 | F 37R17 | 4    |         |      | 0.54    | 2834 | 2575    | 1.0  |         |      |         |      | 0.63    | 2420 | 2199    | 1.2  |         |      | 0.72    | 2124 | 1930    | 1.3  | 0.81    | 1881 | 1709    | 1.5  |         |      | 0.93    | 1643 |         |      | 1493    | 1.7  |         |      |         |      |         |      |         |      |         |      |         |      |         |      |         |      |         |      |         |      | 1.1    | 1431 |         |      | 1300    | 2.0  | 1.2    | 1264 |         |      | 1148    | 2.2  | 1.4     | 1112 | 1010   | 2.5  | 1.6    | 976  | 887     | 2.9  | 1.8     | 859  | 780    | 3.3  | 8.3    | 185  | 168     | 1.02 | 10      | 146  | 133    | 1.28 | 11     | 142  | 129     | 1.32 | 3.0     | 536  | 281.71 | 2.6  | F 77   | 6    | 3.2     | 500  | 262.93  | 2.8  | 3.8     | 429  |         |      | 225.79  | 3.3  | 0.8     | 1902 | 1728    | 0.7  |         |      | F 77R37 | 4    | 3.7     | 435  | 228.99  | 1.77 |         |      | F 67    | 6    | 0.9    | 1698 |         |      |        |      | 1543    | 0.8  | 1.0    | 1490 |        |      | 1354   | 0.9  | 1.2    | 1316 | 1196   | 1.1  | 1.3    | 1156 | 1050   | 1.2  | 1.5    | 998  | 907    | 1.4  |         |      | 1.7    | 892  |         |      | 810    | 1.6  |         |      | 2.0    | 781  |         |      |         |      |         |      | 710    | 1.8  | 2.3    | 660  | 600    | 2.1  | 4.4     | 371  |         |      | 195.39 | 2.1  | 5.0     | 325  | 170.85 | 2.4  | 6.1    | 266  | 228.99 | 2.9  | F 67    | 4    | 7.1     | 227  |        |      | 195.39 | 3.4  | 8.1    | 199  | 170.85 | 3.9  |         |      | 4.3    | 380  | 199.70  | 1.49 | F 57    | 6    |         |      | 4.6     | 349  | 183.60 | 1.62 |         |      | 5.4    | 299  | 157.09 | 1.89 | 6.2    | 259  | 136.16 | 2.2  | 6.7    | 242  | 127.27  | 2.3  | 7.7    | 209  | 110.01 | 2.7  | 7.0    | 232  | 199.70 | 2.4  |        |      | F 57   | 4    | 7.6    | 213  |        |      |        |      | 183.60 | 2.6  |        |     | 8.8    | 183  |        |      |        |     |        |      | 157.09 | 3.1  |        |      | 10     | 158  | 136.16 | 3.6  |        |      | 11     | 148  | 127.27 | 3.8  | 4.5    | 360  | 189.39 | 1.0  |        |      | F 47   | 6    | 4.9    | 331  |        |     | 174.13 | 1.1  | 5.7    | 283  |        |      | 148.98 | 1.3  | 6.6    | 245  | 129.14 | 1.5 | 7.0    | 229  | 120.70 | 2.5  | 7.3    | 220  | 189.39 | 1.71 |        |      | F 47   | 4    | 8.0    | 202  |        |      | 174.13 | 1.86 | 9.3    | 173  | 148.98 | 2.2 | 11     | 150 |        |      | 129.14 | 2.5 |        |      | 12     | 140  | 120.70 | 2.7 |        |     |        |     |        |     |        |     |        |     |        |     |        |     |        |      |        |     |        |     |        |      |        |      |        |     |        |      |        |     |        |      |        |      |        |     |        |      |        |      |        |      |        |     |        |      |        |      |        |      |        |      |        |      |        |     |        |      |        |      |        |      |        |      |        |     |        |     |
| 0.54          | 2851       | 2590     | 1.4                    |             |         | 0.61          | 2495       |          |                        | 2267        | 1.6     |         |      |         |      |         |      |         |      |          |      |         |      |          |      |         |      |          |      | 0.70    | 2189 | 1989     | 1.8  |         |      |          |      | 0.80    | 1914 | 1739    | 2.1  | 0.90    | 1697 |         |      | 1542    | 2.4  | 1.0     | 1475 | 1340    | 2.7  | 1.2     | 1301 | 1182    | 3.1  | 6.0     | 253  | 230     | 1.49 | 6.4     | 238  | 216     | 1.58 | 7.4     | 207  | 188     | 1.82 | 7.9     | 194  | 176     | 1.94 | 0.48    | 3171 | 2881    | 0.9  | F 87R57 | 4    | 8.2     | 187  | 170     | 1.00 | F 37R17 | 4    |         |      | 0.54   | 2834 | 2575    | 1.0  |         |      |         |      | 0.63    | 2420 | 2199    | 1.2  |         |      |         |      | 0.72    | 2124 | 1930    | 1.3  |         |      | 0.81    | 1881 | 1709    | 1.5  | 0.93    | 1643 | 1493    | 1.7  |         |      | 1.1     | 1431 |         |      | 1300    | 2.0  |         |      |         |      |         |      |         |      |         |      |         |      |         |      |         |      | 1.2     | 1264 |         |      | 1148   | 2.2  | 1.4     | 1112 | 1010    | 2.5  | 1.6    | 976  |         |      | 887     | 2.9  | 1.8     | 859  | 780    | 3.3  | 8.3    | 185  | 168     | 1.02 | 10      | 146  | 133    | 1.28 | 11     | 142  | 129     | 1.32 | 3.0     | 536  | 281.71 | 2.6  | F 77   | 6    | 3.2     | 500  | 262.93  | 2.8  | 3.8    | 429  |        |      | 225.79  | 3.3  | 0.8     | 1902 | 1728    | 0.7  |         |      | F 77R37 | 4    | 3.7     | 435  | 228.99  | 1.77 | F 67    | 6    |         |      | 0.9     | 1698 | 1543    | 0.8  |         |      |         |      | 1.0    | 1490 |         |      |        |      | 1354    | 0.9  | 1.2    | 1316 | 1196   | 1.1  | 1.3    | 1156 | 1050   | 1.2  | 1.5    | 998  | 907    | 1.4  | 1.7    | 892  | 810    | 1.6  | 2.0    | 781  |         |      | 710    | 1.8  |         |      | 2.3    | 660  |         |      | 600    | 2.1  |         |      |         |      | 4.4     | 371  | 195.39 | 2.1  | 5.0    | 325  | 170.85 | 2.4  | 6.1     | 266  |         |      | 228.99 | 2.9  | F 67    | 4    | 7.1    | 227  | 195.39 | 3.4  | 8.1    | 199  |         |      | 170.85  | 3.9  |        |      | 4.3    | 380  | 199.70 | 1.49 | F 57   | 6    | 4.6     | 349  | 183.60 | 1.62 | 5.4     | 299  |         |      |         |      | 157.09  | 1.89 | 6.2    | 259  |         |      | 136.16 | 2.2  | 6.7    | 242  | 127.27 | 2.3  | 7.7    | 209  | 110.01 | 2.7  | 7.0     | 232  | 199.70 | 2.4  | F 57   | 4    | 7.6    | 213  | 183.60 | 2.6  |        |      |        |      | 8.8    | 183  |        |      |        |      | 157.09 | 3.1  |        |     | 10     | 158  |        |      |        |     | 136.16 | 3.6  | 11     | 148  |        |      | 127.27 | 3.8  | 4.5    | 360  |        |      | 189.39 | 1.0  | F 47   | 6    | 4.9    | 331  | 174.13 | 1.1  |        |      |        |      | 5.7    | 283  |        |     | 148.98 | 1.3  | 6.6    | 245  | 129.14 | 1.5  | 7.0    | 229  | 120.70 | 2.5  | 7.3    | 220 | 189.39 | 1.71 | F 47   | 4    | 8.0    | 202  | 174.13 | 1.86 |        |      |        |      | 9.3    | 173  |        |      | 148.98 | 2.2  | 11     | 150  | 129.14 | 2.5 | 12     | 140 |        |      | 120.70 | 2.7 |        |      |        |      |        |     |        |     |        |     |        |     |        |     |        |     |        |     |        |     |        |      |        |     |        |     |        |      |        |      |        |     |        |      |        |     |        |      |        |      |        |     |        |      |        |      |        |      |        |     |        |      |        |      |        |      |        |      |        |      |        |     |        |      |        |      |        |      |        |      |        |     |        |     |
| 0.61          | 2495       | 2267     | 1.6                    |             |         | 0.70          | 2189       |          |                        | 1989        | 1.8     |         |      |         |      |         |      |         |      |          |      |         |      |          |      |         |      |          |      | 0.80    | 1914 | 1739     | 2.1  |         |      | 0.90     | 1697 | 1542    | 2.4  | 1.0     | 1475 | 1340    | 2.7  | 1.2     | 1301 | 1182    | 3.1  | 6.0     | 253  | 230     | 1.49 | 6.4     | 238  | 216     | 1.58 | 7.4     | 207  | 188     | 1.82 | 7.9     | 194  | 176     | 1.94 | 0.48    | 3171 | 2881    | 0.9  | F 87R57 | 4    | 8.2     | 187  | 170     | 1.00 | F 37R17 | 4    |         |      | 0.54    | 2834 | 2575    | 1.0  |         |      |         |      | 0.63   | 2420 | 2199    | 1.2  |         |      |         |      | 0.72    | 2124 | 1930    | 1.3  |         |      |         |      | 0.81    | 1881 | 1709    | 1.5  |         |      | 0.93    | 1643 | 1493    | 1.7  | 1.1     | 1431 | 1300    | 2.0  |         |      | 1.2     | 1264 |         |      | 1148    | 2.2  |         |      |         |      |         |      |         |      |         |      |         |      |         |      |         |      | 1.4     | 1112 | 1010    | 2.5  | 1.6    | 976  | 887     | 2.9  | 1.8     | 859  | 780    | 3.3  | 8.3     | 185  | 168     | 1.02 | 10      | 146  | 133    | 1.28 | 11     | 142  | 129     | 1.32 | 3.0     | 536  | 281.71 | 2.6  | F 77   | 6    | 3.2     | 500  | 262.93  | 2.8  | 3.8    | 429  |        |      | 225.79  | 3.3  | 0.8     | 1902 | 1728   | 0.7  |        |      | F 77R37 | 4    | 3.7     | 435  | 228.99  | 1.77 | F 67    | 6    |         |      | 0.9     | 1698 | 1543    | 0.8  |         |      |         |      | 1.0     | 1490 | 1354    | 0.9  |         |      |         |      | 1.2    | 1316 |         |      | 1196   | 1.1  | 1.3     | 1156 | 1050   | 1.2  | 1.5    | 998  | 907    | 1.4  | 1.7    | 892  | 810    | 1.6  | 2.0    | 781  | 710    | 1.8  | 2.3    | 660  | 600    | 2.1  |         |      | 4.4    | 371  |         |      | 195.39 | 2.1  |         |      | 5.0    | 325  |         |      |         |      | 170.85  | 2.4  | 6.1    | 266  | 228.99 | 2.9  | F 67   | 4    | 7.1     | 227  | 195.39  | 3.4  | 8.1    | 199  |         |      | 170.85 | 3.9  | 4.3    | 380  | 199.70 | 1.49 |         |      | F 57    | 6    | 4.6    | 349  | 183.60 | 1.62 | 5.4    | 299  |        |      | 157.09  | 1.89 | 6.2    | 259  | 136.16  | 2.2  |         |      |         |      | 6.7     | 242  | 127.27 | 2.3  |         |      | 7.7    | 209  | 110.01 | 2.7  | 7.0    | 232  | 199.70 | 2.4  | F 57   | 4    | 7.6     | 213  | 183.60 | 2.6  |        |      | 8.8    | 183  | 157.09 | 3.1  |        |      |        |      | 10     | 158  |        |      |        |      | 136.16 | 3.6  |        |     | 11     | 148  |        |      |        |     | 127.27 | 3.8  | 4.5    | 360  |        |      | 189.39 | 1.0  | F 47   | 6    | 4.9    | 331  | 174.13 | 1.1  |        |      | 5.7    | 283  | 148.98 | 1.3  |        |      |        |      | 6.6    | 245  |        |     | 129.14 | 1.5  | 7.0    | 229  | 120.70 | 2.5  | 7.3    | 220  | 189.39 | 1.71 | F 47   | 4   | 8.0    | 202  |        |      | 174.13 | 1.86 | 9.3    | 173  |        |      |        |      | 148.98 | 2.2  |        |      | 11     | 150  | 129.14 | 2.5  | 12     | 140 | 120.70 | 2.7 |        |      |        |     |        |      |        |      |        |     |        |     |        |     |        |     |        |     |        |     |        |     |        |     |        |      |        |     |        |     |        |      |        |      |        |     |        |      |        |     |        |      |        |      |        |     |        |      |        |      |        |      |        |     |        |      |        |      |        |      |        |      |        |      |        |     |        |      |        |      |        |      |        |      |        |     |        |     |
| 0.70          | 2189       | 1989     | 1.8                    |             |         | 0.80          | 1914       |          |                        | 1739        | 2.1     |         |      |         |      |         |      |         |      |          |      |         |      |          |      |         |      | 0.90     | 1697 | 1542    | 2.4  | 1.0      | 1475 | 1340    | 2.7  | 1.2      | 1301 | 1182    | 3.1  | 6.0     | 253  | 230     | 1.49 | 6.4     | 238  | 216     | 1.58 | 7.4     | 207  | 188     | 1.82 | 7.9     | 194  | 176     | 1.94 | 0.48    | 3171 | 2881    | 0.9  | F 87R57 | 4    | 8.2     | 187  | 170     | 1.00 | F 37R17 | 4    |         |      | 0.54    | 2834 | 2575    | 1.0  |         |      |         |      | 0.63    | 2420 | 2199    | 1.2  |         |      |         |      | 0.72   | 2124 | 1930    | 1.3  |         |      |         |      | 0.81    | 1881 | 1709    | 1.5  |         |      |         |      | 0.93    | 1643 | 1493    | 1.7  |         |      | 1.1     | 1431 | 1300    | 2.0  | 1.2     | 1264 | 1148    | 2.2  |         |      | 1.4     | 1112 |         |      | 1010    | 2.5  |         |      |         |      |         |      |         |      | 1.6     | 976  |         |      |         |      | 887     | 2.9  | 1.8     | 859  | 780     | 3.3  | 8.3    | 185  | 168     | 1.02 | 10      | 146  | 133    | 1.28 | 11      | 142  | 129     | 1.32 | 3.0     | 536  | 281.71 | 2.6  | F 77   | 6    | 3.2     | 500  | 262.93  | 2.8  | 3.8    | 429  |        |      | 225.79  | 3.3  | 0.8     | 1902 | 1728   | 0.7  |        |      | F 77R37 | 4    | 3.7     | 435  | 228.99 | 1.77 | F 67   | 6    |         |      | 0.9     | 1698 | 1543    | 0.8  |         |      |         |      | 1.0     | 1490 | 1354    | 0.9  |         |      |         |      | 1.2     | 1316 | 1196    | 1.1  |         |      | 1.3     | 1156 | 1050   | 1.2  |         |      | 1.5    | 998  | 907     | 1.4  | 1.7    | 892  | 810    | 1.6  | 2.0    | 781  | 710    | 1.8  | 2.3    | 660  | 600    | 2.1  | 4.4    | 371  | 195.39 | 2.1  | 5.0    | 325  |         |      | 170.85 | 2.4  |         |      | 6.1    | 266  |         |      | 228.99 | 2.9  | F 67    | 4    |         |      | 7.1     | 227  | 195.39 | 3.4  | 8.1    | 199  |        |      | 170.85  | 3.9  | 4.3     | 380  | 199.70 | 1.49 |         |      | F 57   | 6    | 4.6    | 349  | 183.60 | 1.62 | 5.4     | 299  |         |      | 157.09 | 1.89 | 6.2    | 259  | 136.16 | 2.2  |        |      | 6.7     | 242  | 127.27 | 2.3  | 7.7     | 209  |         |      |         |      | 110.01  | 2.7  | 7.0    | 232  |         |      | 199.70 | 2.4  | F 57   | 4    | 7.6    | 213  | 183.60 | 2.6  |        |      | 8.8     | 183  | 157.09 | 3.1  |        |      | 10     | 158  | 136.16 | 3.6  |        |      |        |      | 11     | 148  | 127.27 | 3.8  |        |      | 4.5    | 360  |        |     | 189.39 | 1.0  |        |      | F 47   | 6   | 4.9    | 331  | 174.13 | 1.1  |        |      | 5.7    | 283  |        |      | 148.98 | 1.3  | 6.6    | 245  |        |      | 129.14 | 1.5  | 7.0    | 229  |        |      |        |      | 120.70 | 2.5  |        |     | 7.3    | 220  | 189.39 | 1.71 | F 47   | 4    | 8.0    | 202  | 174.13 | 1.86 |        |     | 9.3    | 173  |        |      | 148.98 | 2.2  | 11     | 150  |        |      |        |      | 129.14 | 2.5  |        |      | 12     | 140  | 120.70 | 2.7  |        |     |        |     |        |      |        |     |        |      |        |      |        |     |        |     |        |     |        |     |        |     |        |     |        |     |        |     |        |      |        |     |        |     |        |      |        |      |        |     |        |      |        |     |        |      |        |      |        |     |        |      |        |      |        |      |        |     |        |      |        |      |        |      |        |      |        |      |        |     |        |      |        |      |        |      |        |      |        |     |        |     |
| 0.80          | 1914       | 1739     | 2.1                    |             |         | 0.90          | 1697       |          |                        | 1542        | 2.4     |         |      |         |      |         |      |         |      | 1.0      | 1475 |         |      |          |      | 1340    | 2.7  | 1.2      | 1301 | 1182    | 3.1  | 6.0      | 253  | 230     | 1.49 | 6.4      | 238  | 216     | 1.58 | 7.4     | 207  | 188     | 1.82 | 7.9     | 194  | 176     | 1.94 | 0.48    | 3171 | 2881    | 0.9  | F 87R57 | 4    | 8.2     | 187  | 170     | 1.00 | F 37R17 | 4    |         |      | 0.54    | 2834 | 2575    | 1.0  |         |      |         |      | 0.63    | 2420 | 2199    | 1.2  |         |      |         |      | 0.72    | 2124 | 1930    | 1.3  |         |      |         |      | 0.81   | 1881 | 1709    | 1.5  |         |      |         |      | 0.93    | 1643 | 1493    | 1.7  |         |      |         |      | 1.1     | 1431 | 1300    | 2.0  |         |      | 1.2     | 1264 | 1148    | 2.2  | 1.4     | 1112 | 1010    | 2.5  |         |      | 1.6     | 976  |         |      | 887     | 2.9  |         |      |         |      | 1.8     | 859  |         |      | 780     | 3.3  |         |      | 8.3     | 185  | 168     | 1.02 | 10      | 146  | 133     | 1.28 | 11     | 142  | 129     | 1.32 | 3.0     | 536  | 281.71 | 2.6  | F 77    | 6    | 3.2     | 500  | 262.93  | 2.8  | 3.8    | 429  |        |      | 225.79  | 3.3  | 0.8     | 1902 | 1728   | 0.7  |        |      | F 77R37 | 4    | 3.7     | 435  | 228.99 | 1.77 | F 67   | 6    |         |      | 0.9     | 1698 | 1543   | 0.8  |        |      |         |      | 1.0     | 1490 | 1354    | 0.9  |         |      |         |      | 1.2     | 1316 | 1196    | 1.1  | 1.3     | 1156 |         |      | 1050    | 1.2  | 1.5     | 998  |         |      | 907     | 1.4  | 1.7    | 892  |         |      | 810    | 1.6  | 2.0     | 781  | 710    | 1.8  | 2.3    | 660  | 600    | 2.1  | 4.4    | 371  | 195.39 | 2.1  | 5.0    | 325  | 170.85 | 2.4  | 6.1    | 266  | 228.99 | 2.9  |         |      | F 67   | 4    |         |      | 7.1    | 227  |         |      | 195.39 | 3.4  |         |      | 8.1     | 199  | 170.85  | 3.9  | 4.3    | 380  | 199.70 | 1.49 |        |      | F 57    | 6    | 4.6     | 349  | 183.60 | 1.62 | 5.4     | 299  |        |      | 157.09 | 1.89 | 6.2    | 259  | 136.16  | 2.2  |         |      | 6.7    | 242  | 127.27 | 2.3  | 7.7    | 209  |        |      | 110.01  | 2.7  | 7.0    | 232  | 199.70  | 2.4  |         |      |         |      | F 57    | 4    | 7.6    | 213  |         |      | 183.60 | 2.6  |        |      | 8.8    | 183  | 157.09 | 3.1  |        |      | 10      | 158  | 136.16 | 3.6  |        |      | 11     | 148  | 127.27 | 3.8  | 4.5    | 360  |        |      | 189.39 | 1.0  | F 47   | 6    |        |      | 4.9    | 331  |        |     | 174.13 | 1.1  |        |      |        |     | 5.7    | 283  | 148.98 | 1.3  | 6.6    | 245  | 129.14 | 1.5  |        |      | 7.0    | 229  | 120.70 | 2.5  |        |      | 7.3    | 220  | 189.39 | 1.71 |        |      |        |      | F 47   | 4    | 8.0    | 202 | 174.13 | 1.86 | 9.3    | 173  |        |      | 148.98 | 2.2  | 11     | 150  |        |     | 129.14 | 2.5  |        |      | 12     | 140  | 120.70 | 2.7  |        |      |        |      |        |      |        |      |        |      |        |      |        |     |        |     |        |      |        |     |        |      |        |      |        |     |        |     |        |     |        |     |        |     |        |     |        |     |        |     |        |      |        |     |        |     |        |      |        |      |        |     |        |      |        |     |        |      |        |      |        |     |        |      |        |      |        |      |        |     |        |      |        |      |        |      |        |      |        |      |        |     |        |      |        |      |        |      |        |      |        |     |        |     |
| 0.90          | 1697       | 1542     | 2.4                    |             |         | 1.0           | 1475       |          |                        | 1340        | 2.7     |         |      |         |      | 1.2     | 1301 |         |      | 1182     | 3.1  |         |      | 6.0      | 253  | 230     | 1.49 | 6.4      | 238  | 216     | 1.58 | 7.4      | 207  | 188     | 1.82 | 7.9      | 194  | 176     | 1.94 | 0.48    | 3171 | 2881    | 0.9  | F 87R57 | 4    | 8.2     | 187  | 170     | 1.00 | F 37R17 | 4    |         |      | 0.54    | 2834 | 2575    | 1.0  |         |      |         |      | 0.63    | 2420 | 2199    | 1.2  |         |      |         |      | 0.72    | 2124 | 1930    | 1.3  |         |      |         |      | 0.81    | 1881 | 1709    | 1.5  |         |      |         |      | 0.93   | 1643 | 1493    | 1.7  |         |      |         |      | 1.1     | 1431 | 1300    | 2.0  |         |      |         |      | 1.2     | 1264 | 1148    | 2.2  |         |      | 1.4     | 1112 | 1010    | 2.5  | 1.6     | 976  | 887     | 2.9  |         |      | 1.8     | 859  |         |      | 780     | 3.3  | 8.3     | 185  |         |      | 168     | 1.02 |         |      | 10      | 146  | 133     | 1.28 | 11      | 142  | 129     | 1.32 | 3.0     | 536  | 281.71  | 2.6  | F 77   | 6    | 3.2     | 500  | 262.93  | 2.8  | 3.8    | 429  |         |      | 225.79  | 3.3  | 0.8     | 1902 | 1728   | 0.7  |        |      | F 77R37 | 4    | 3.7     | 435  | 228.99 | 1.77 | F 67   | 6    |         |      | 0.9     | 1698 | 1543   | 0.8  |        |      |         |      | 1.0     | 1490 | 1354   | 0.9  |        |      |         |      | 1.2     | 1316 | 1196    | 1.1  | 1.3     | 1156 |         |      | 1050    | 1.2  | 1.5     | 998  | 907     | 1.4  |         |      | 1.7     | 892  | 810     | 1.6  |         |      | 2.0     | 781  | 710    | 1.8  |         |      | 2.3    | 660  | 600     | 2.1  | 4.4    | 371  | 195.39 | 2.1  | 5.0    | 325  | 170.85 | 2.4  | 6.1    | 266  | 228.99 | 2.9  | F 67   | 4    | 7.1    | 227  | 195.39 | 3.4  |         |      |        |      |         |      | 8.1    | 199  | 170.85  | 3.9  | 4.3    | 380  |         |      | 199.70  | 1.49 | F 57    | 6    | 4.6    | 349  | 183.60 | 1.62 | 5.4    | 299  |         |      | 157.09  | 1.89 | 6.2    | 259  | 136.16  | 2.2  |        |      | 6.7    | 242  | 127.27 | 2.3  | 7.7     | 209  |         |      | 110.01 | 2.7  | 7.0    | 232  | 199.70 | 2.4  |        |      | F 57    | 4    | 7.6    | 213  | 183.60  | 2.6  |         |      |         |      |         |      | 8.8    | 183  |         |      | 157.09 | 3.1  |        |      | 10     | 158  | 136.16 | 3.6  |        |      | 11      | 148  | 127.27 | 3.8  |        |      | 4.5    | 360  | 189.39 | 1.0  | F 47   | 6    | 4.9    | 331  | 174.13 | 1.1  |        |      |        |      | 5.7    | 283  |        |     | 148.98 | 1.3  | 6.6    | 245  |        |     | 129.14 | 1.5  | 7.0    | 229  | 120.70 | 2.5  | 7.3    | 220  |        |      | 189.39 | 1.71 | F 47   | 4    |        |      | 8.0    | 202  | 174.13 | 1.86 | 9.3    | 173  |        |      |        |      | 148.98 | 2.2 | 11     | 150  | 129.14 | 2.5  |        |      | 12     | 140  | 120.70 | 2.7  |        |     |        |      |        |      |        |      |        |      |        |      |        |      |        |      |        |      |        |      |        |      |        |     |        |     |        |      |        |     |        |      |        |      |        |     |        |     |        |     |        |     |        |     |        |     |        |     |        |     |        |      |        |     |        |     |        |      |        |      |        |     |        |      |        |     |        |      |        |      |        |     |        |      |        |      |        |      |        |     |        |      |        |      |        |      |        |      |        |      |        |     |        |      |        |      |        |      |        |      |        |     |        |     |
| 1.0           | 1475       | 1340     | 2.7                    |             |         | 1.2           | 1301       |          |                        | 1182        | 3.1     | 6.0     | 253  |         |      | 230     | 1.49 |         |      | 6.4      | 238  | 216     | 1.58 | 7.4      | 207  | 188     | 1.82 | 7.9      | 194  | 176     | 1.94 | 0.48     | 3171 | 2881    | 0.9  | F 87R57  | 4    | 8.2     | 187  | 170     | 1.00 | F 37R17 | 4    |         |      | 0.54    | 2834 | 2575    | 1.0  |         |      |         |      | 0.63    | 2420 | 2199    | 1.2  |         |      |         |      | 0.72    | 2124 | 1930    | 1.3  |         |      |         |      | 0.81    | 1881 | 1709    | 1.5  |         |      |         |      | 0.93    | 1643 | 1493    | 1.7  |         |      |         |      | 1.1    | 1431 | 1300    | 2.0  |         |      |         |      | 1.2     | 1264 | 1148    | 2.2  |         |      |         |      | 1.4     | 1112 | 1010    | 2.5  |         |      | 1.6     | 976  | 887     | 2.9  | 1.8     | 859  | 780     | 3.3  |         |      | 8.3     | 185  | 168     | 1.02 | 10      | 146  | 133     | 1.28 |         |      | 11      | 142  | 129     | 1.32 | 3.0     | 536  | 281.71  | 2.6  | F 77    | 6    | 3.2     | 500  | 262.93  | 2.8  | 3.8     | 429  |        |      | 225.79  | 3.3  | 0.8     | 1902 | 1728   | 0.7  |         |      | F 77R37 | 4    | 3.7     | 435  | 228.99 | 1.77 | F 67   | 6    |         |      | 0.9     | 1698 | 1543   | 0.8  |        |      |         |      | 1.0     | 1490 | 1354   | 0.9  |        |      |         |      | 1.2     | 1316 | 1196   | 1.1  | 1.3    | 1156 |         |      | 1050    | 1.2  | 1.5     | 998  | 907     | 1.4  |         |      | 1.7     | 892  | 810     | 1.6  | 2.0     | 781  |         |      | 710     | 1.8  | 2.3     | 660  |         |      | 600     | 2.1  | 4.4    | 371  |         |      | 195.39 | 2.1  | 5.0     | 325  | 170.85 | 2.4  | 6.1    | 266  | 228.99 | 2.9  | F 67   | 4    | 7.1    | 227  | 195.39 | 3.4  |        |      | 8.1    | 199  | 170.85 | 3.9  |         |      |        |      | 4.3     | 380  | 199.70 | 1.49 | F 57    | 6    | 4.6    | 349  | 183.60  | 1.62 | 5.4     | 299  |         |      | 157.09 | 1.89 | 6.2    | 259  | 136.16 | 2.2  |         |      | 6.7     | 242  | 127.27 | 2.3  | 7.7     | 209  |        |      | 110.01 | 2.7  | 7.0    | 232  | 199.70  | 2.4  |         |      | F 57   | 4    | 7.6    | 213  | 183.60 | 2.6  |        |      |         |      | 8.8    | 183  | 157.09  | 3.1  |         |      |         |      |         |      | 10     | 158  |         |      | 136.16 | 3.6  |        |      | 11     | 148  | 127.27 | 3.8  |        |      | 4.5     | 360  | 189.39 | 1.0  | F 47   | 6    | 4.9    | 331  | 174.13 | 1.1  |        |      | 5.7    | 283  | 148.98 | 1.3  |        |      |        |      | 6.6    | 245  | 129.14 | 1.5 | 7.0    | 229  | 120.70 | 2.5  |        |     | 7.3    | 220  | 189.39 | 1.71 | F 47   | 4    | 8.0    | 202  |        |      | 174.13 | 1.86 |        |      |        |      | 9.3    | 173  | 148.98 | 2.2  | 11     | 150  | 129.14 | 2.5  |        |      | 12     | 140 | 120.70 | 2.7  |        |      |        |      |        |      |        |      |        |     |        |      |        |      |        |      |        |      |        |      |        |      |        |      |        |      |        |      |        |      |        |     |        |     |        |      |        |     |        |      |        |      |        |     |        |     |        |     |        |     |        |     |        |     |        |     |        |     |        |      |        |     |        |     |        |      |        |      |        |     |        |      |        |     |        |      |        |      |        |     |        |      |        |      |        |      |        |     |        |      |        |      |        |      |        |      |        |      |        |     |        |      |        |      |        |      |        |      |        |     |        |     |
| 1.2           | 1301       | 1182     | 3.1                    |             |         | 6.0           | 253        | 230      | 1.49                   | 6.4         | 238     | 216     | 1.58 |         |      | 7.4     | 207  | 188     | 1.82 | 7.9      | 194  | 176     | 1.94 | 0.48     | 3171 | 2881    | 0.9  | F 87R57  | 4    | 8.2     | 187  | 170      | 1.00 | F 37R17 | 4    |          |      | 0.54    | 2834 | 2575    | 1.0  |         |      |         |      | 0.63    | 2420 | 2199    | 1.2  |         |      |         |      | 0.72    | 2124 | 1930    | 1.3  |         |      |         |      | 0.81    | 1881 | 1709    | 1.5  |         |      |         |      | 0.93    | 1643 | 1493    | 1.7  |         |      |         |      | 1.1     | 1431 | 1300    | 2.0  |         |      |         |      | 1.2    | 1264 | 1148    | 2.2  |         |      |         |      | 1.4     | 1112 | 1010    | 2.5  |         |      |         |      | 1.6     | 976  | 887     | 2.9  |         |      | 1.8     | 859  | 780     | 3.3  | 8.3     | 185  | 168     | 1.02 | 10      | 146  | 133     | 1.28 | 11      | 142  | 129     | 1.32 | 3.0     | 536  | 281.71  | 2.6  | F 77    | 6    | 3.2     | 500  | 262.93  | 2.8  | 3.8     | 429  |         |      | 225.79  | 3.3  | 0.8     | 1902 | 1728    | 0.7  |        |      | F 77R37 | 4    | 3.7     | 435  | 228.99 | 1.77 | F 67    | 6    |         |      | 0.9     | 1698 | 1543   | 0.8  |        |      |         |      | 1.0     | 1490 | 1354   | 0.9  |        |      |         |      | 1.2     | 1316 | 1196   | 1.1  | 1.3    | 1156 |         |      | 1050    | 1.2  | 1.5    | 998  | 907    | 1.4  |         |      | 1.7     | 892  | 810     | 1.6  | 2.0     | 781  |         |      | 710     | 1.8  | 2.3     | 660  | 600     | 2.1  |         |      | 4.4     | 371  | 195.39  | 2.1  |         |      | 5.0     | 325  | 170.85 | 2.4  |         |      | 6.1    | 266  | 228.99  | 2.9  | F 67   | 4    | 7.1    | 227  | 195.39 | 3.4  |        |      | 8.1    | 199  | 170.85 | 3.9  |        |      | 4.3    | 380  | 199.70 | 1.49 | F 57    | 6    | 4.6    | 349  | 183.60  | 1.62 | 5.4    | 299  |         |      | 157.09 | 1.89 | 6.2     | 259  | 136.16  | 2.2  |         |      | 6.7    | 242  | 127.27 | 2.3  | 7.7    | 209  |         |      | 110.01  | 2.7  | 7.0    | 232  | 199.70  | 2.4  |        |      | F 57   | 4    | 7.6    | 213  | 183.60  | 2.6  |         |      |        |      | 8.8    | 183  | 157.09 | 3.1  |        |      |         |      | 10     | 158  | 136.16  | 3.6  |         |      |         |      |         |      | 11     | 148  |         |      | 127.27 | 3.8  |        |      | 4.5    | 360  | 189.39 | 1.0  | F 47   | 6    | 4.9     | 331  | 174.13 | 1.1  |        |      | 5.7    | 283  | 148.98 | 1.3  |        |      | 6.6    | 245  | 129.14 | 1.5  |        |      | 7.0    | 229  | 120.70 | 2.5  | 7.3    | 220 | 189.39 | 1.71 | F 47   | 4    |        |     | 8.0    | 202  | 174.13 | 1.86 |        |      | 9.3    | 173  |        |      | 148.98 | 2.2  |        |      | 11     | 150  | 129.14 | 2.5  | 12     | 140  | 120.70 | 2.7  |        |      |        |      |        |     |        |      |        |      |        |      |        |      |        |      |        |     |        |      |        |      |        |      |        |      |        |      |        |      |        |      |        |      |        |      |        |      |        |     |        |     |        |      |        |     |        |      |        |      |        |     |        |     |        |     |        |     |        |     |        |     |        |     |        |     |        |      |        |     |        |     |        |      |        |      |        |     |        |      |        |     |        |      |        |      |        |     |        |      |        |      |        |      |        |     |        |      |        |      |        |      |        |      |        |      |        |     |        |      |        |      |        |      |        |      |        |     |        |     |
| 6.0           | 253        | 230      | 1.49                   | 6.4         | 238     | 216           | 1.58       | 7.4      | 207                    | 188         | 1.82    | 7.9     | 194  | 176     | 1.94 | 0.48    | 3171 | 2881    | 0.9  | F 87R57  | 4    | 8.2     | 187  | 170      | 1.00 | F 37R17 | 4    |          |      | 0.54    | 2834 | 2575     | 1.0  |         |      |          |      | 0.63    | 2420 | 2199    | 1.2  |         |      |         |      | 0.72    | 2124 | 1930    | 1.3  |         |      |         |      | 0.81    | 1881 | 1709    | 1.5  |         |      |         |      | 0.93    | 1643 | 1493    | 1.7  |         |      |         |      | 1.1     | 1431 | 1300    | 2.0  |         |      |         |      | 1.2     | 1264 | 1148    | 2.2  |         |      |         |      | 1.4    | 1112 | 1010    | 2.5  |         |      |         |      | 1.6     | 976  | 887     | 2.9  |         |      |         |      | 1.8     | 859  | 780     | 3.3  |         |      | 8.3     | 185  | 168     | 1.02 | 10      | 146  | 133     | 1.28 | 11      | 142  | 129     | 1.32 | 3.0     | 536  | 281.71  | 2.6  | F 77    | 6    | 3.2     | 500  |         |      | 262.93  | 2.8  | 3.8     | 429  | 225.79  | 3.3  |         |      | 0.8     | 1902 | 1728    | 0.7  | F 77R37 | 4    | 3.7    | 435  |         |      | 228.99  | 1.77 | F 67   | 6    |         |      |         |      | 0.9     | 1698 | 1543   | 0.8  |        |      |         |      | 1.0     | 1490 | 1354   | 0.9  | 1.2    | 1316 |         |      | 1196    | 1.1  | 1.3    | 1156 | 1050   | 1.2  |         |      | 1.5     | 998  | 907    | 1.4  | 1.7    | 892  |         |      | 810     | 1.6  | 2.0     | 781  | 710     | 1.8  |         |      | 2.3     | 660  | 600     | 2.1  | 4.4     | 371  |         |      | 195.39  | 2.1  | 5.0     | 325  |         |      | 170.85  | 2.4  | 6.1    | 266  |         |      | 228.99 | 2.9  | F 67    | 4    |        |      | 7.1    | 227  | 195.39 | 3.4  |        |      | 8.1    | 199  | 170.85 | 3.9  | 4.3    | 380  | 199.70 | 1.49 | F 57   | 6    |         |      | 4.6    | 349  | 183.60  | 1.62 | 5.4    | 299  |         |      | 157.09 | 1.89 | 6.2     | 259  | 136.16  | 2.2  |         |      | 6.7    | 242  | 127.27 | 2.3  | 7.7    | 209  |         |      | 110.01  | 2.7  | 7.0    | 232  | 199.70  | 2.4  |        |      |        |      | F 57   | 4    | 7.6     | 213  |         |      |        |      | 183.60 | 2.6  | 8.8    | 183  |        |      |         |      | 157.09 | 3.1  | 10      | 158  |         |      |         |      |         |      | 136.16 | 3.6  |         |      | 11     | 148  | 127.27 | 3.8  | 4.5    | 360  | 189.39 | 1.0  |        |      | F 47    | 6    | 4.9    | 331  |        |      | 174.13 | 1.1  | 5.7    | 283  |        |      | 148.98 | 1.3  | 6.6    | 245  |        |      | 129.14 | 1.5  | 7.0    | 229  | 120.70 | 2.5 | 7.3    | 220  |        |      |        |     | 189.39 | 1.71 | F 47   | 4    |        |      | 8.0    | 202  | 174.13 | 1.86 | 9.3    | 173  |        |      | 148.98 | 2.2  | 11     | 150  | 129.14 | 2.5  | 12     | 140  | 120.70 | 2.7  |        |      |        |     |        |      |        |      |        |      |        |      |        |      |        |     |        |      |        |      |        |      |        |      |        |      |        |      |        |      |        |      |        |      |        |      |        |     |        |     |        |      |        |     |        |      |        |      |        |     |        |     |        |     |        |     |        |     |        |     |        |     |        |     |        |      |        |     |        |     |        |      |        |      |        |     |        |      |        |     |        |      |        |      |        |     |        |      |        |      |        |      |        |     |        |      |        |      |        |      |        |      |        |      |        |     |        |      |        |      |        |      |        |      |        |     |        |     |
| 6.4           | 238        | 216      | 1.58                   | 7.4         | 207     | 188           | 1.82       | 7.9      | 194                    | 176         | 1.94    | 0.48    | 3171 | 2881    | 0.9  | F 87R57 | 4    | 8.2     | 187  |          |      | 170     | 1.00 | F 37R17  | 4    |         |      |          |      | 0.54    | 2834 | 2575     | 1.0  |         |      |          |      | 0.63    | 2420 | 2199    | 1.2  |         |      |         |      | 0.72    | 2124 | 1930    | 1.3  |         |      |         |      | 0.81    | 1881 | 1709    | 1.5  |         |      |         |      | 0.93    | 1643 | 1493    | 1.7  |         |      |         |      | 1.1     | 1431 | 1300    | 2.0  |         |      |         |      | 1.2     | 1264 | 1148    | 2.2  |         |      |         |      | 1.4    | 1112 | 1010    | 2.5  |         |      |         |      | 1.6     | 976  | 887     | 2.9  |         |      | 1.8     | 859  | 780     | 3.3  | 8.3     | 185  | 168     | 1.02 | 10      | 146  | 133     | 1.28 | 11      | 142  | 129     | 1.32 | 3.0     | 536  | 281.71  | 2.6  | F 77    | 6    | 3.2     | 500  |         |      | 262.93  | 2.8  |         |      | 3.8     | 429  | 225.79  | 3.3  | 0.8     | 1902 | 1728    | 0.7  | F 77R37 | 4    | 3.7     | 435  |         |      | 228.99 | 1.77 |         |      | F 67    | 6    |        |      |         |      |         |      | 0.9     | 1698 | 1543   | 0.8  | 1.0    | 1490 |         |      | 1354    | 0.9  | 1.2    | 1316 | 1196   | 1.1  |         |      | 1.3     | 1156 | 1050   | 1.2  | 1.5    | 998  |         |      | 907     | 1.4  | 1.7    | 892  | 810    | 1.6  |         |      | 2.0     | 781  | 710     | 1.8  | 2.3     | 660  |         |      | 600     | 2.1  | 4.4     | 371  | 195.39  | 2.1  |         |      | 5.0     | 325  | 170.85  | 2.4  |         |      | 6.1     | 266  | 228.99 | 2.9  | F 67    | 4    | 7.1    | 227  |         |      |        |      | 195.39 | 3.4  | 8.1    | 199  | 170.85 | 3.9  | 4.3    | 380  | 199.70 | 1.49 | F 57   | 6    | 4.6    | 349  |        |      |         |      | 183.60 | 1.62 | 5.4     | 299  | 157.09 | 1.89 |         |      | 6.2    | 259  | 136.16  | 2.2  | 6.7     | 242  |         |      | 127.27 | 2.3  | 7.7    | 209  | 110.01 | 2.7  |         |      | 7.0     | 232  | 199.70 | 2.4  | F 57    | 4    |        |      |        |      |        |      | 7.6     | 213  |         |      |        |      | 183.60 | 2.6  | 8.8    | 183  |        |      |         |      | 157.09 | 3.1  | 10      | 158  |         |      |         |      | 136.16  | 3.6  | 11     | 148  | 127.27  | 3.8  | 4.5    | 360  | 189.39 | 1.0  | F 47   | 6    | 4.9    | 331  |        |      |         |      | 174.13 | 1.1  |        |      | 5.7    | 283  | 148.98 | 1.3  |        |      | 6.6    | 245  | 129.14 | 1.5  |        |      | 7.0    | 229  | 120.70 | 2.5  | 7.3    | 220 | 189.39 | 1.71 |        |      | F 47   | 4   | 8.0    | 202  |        |      |        |      | 174.13 | 1.86 | 9.3    | 173  | 148.98 | 2.2  |        |      | 11     | 150  | 129.14 | 2.5  | 12     | 140  | 120.70 | 2.7  |        |      |        |      |        |     |        |      |        |      |        |      |        |      |        |      |        |     |        |      |        |      |        |      |        |      |        |      |        |      |        |      |        |      |        |      |        |      |        |     |        |     |        |      |        |     |        |      |        |      |        |     |        |     |        |     |        |     |        |     |        |     |        |     |        |     |        |      |        |     |        |     |        |      |        |      |        |     |        |      |        |     |        |      |        |      |        |     |        |      |        |      |        |      |        |     |        |      |        |      |        |      |        |      |        |      |        |     |        |      |        |      |        |      |        |      |        |     |        |     |
| 7.4           | 207        | 188      | 1.82                   | 7.9         | 194     | 176           | 1.94       | 0.48     | 3171                   | 2881        | 0.9     | F 87R57 | 4    | 8.2     | 187  |         |      | 170     | 1.00 |          |      | F 37R17 | 4    |          |      |         |      |          |      | 0.54    | 2834 | 2575     | 1.0  |         |      |          |      | 0.63    | 2420 | 2199    | 1.2  |         |      |         |      | 0.72    | 2124 | 1930    | 1.3  |         |      |         |      | 0.81    | 1881 | 1709    | 1.5  |         |      |         |      | 0.93    | 1643 | 1493    | 1.7  |         |      |         |      | 1.1     | 1431 | 1300    | 2.0  |         |      |         |      | 1.2     | 1264 | 1148    | 2.2  |         |      |         |      | 1.4    | 1112 | 1010    | 2.5  |         |      | 1.6     | 976  | 887     | 2.9  | 1.8     | 859  | 780     | 3.3  | 8.3     | 185  | 168     | 1.02 | 10      | 146  | 133     | 1.28 | 11      | 142  | 129     | 1.32 | 3.0     | 536  | 281.71  | 2.6  | F 77    | 6    | 3.2     | 500  |         |      | 262.93  | 2.8  |         |      | 3.8     | 429  | 225.79  | 3.3  | 0.8     | 1902 | 1728    | 0.7  | F 77R37 | 4    | 3.7     | 435  |         |      | 228.99  | 1.77 |         |      | F 67   | 6    |         |      |         |      |        |      | 0.9     | 1698 |         |      | 1543    | 0.8  | 1.0    | 1490 | 1354   | 0.9  |         |      | 1.2     | 1316 | 1196   | 1.1  | 1.3    | 1156 |         |      | 1050    | 1.2  | 1.5    | 998  | 907    | 1.4  |         |      | 1.7     | 892  | 810    | 1.6  | 2.0    | 781  |         |      | 710     | 1.8  | 2.3     | 660  | 600     | 2.1  |         |      | 4.4     | 371  | 195.39  | 2.1  | 5.0     | 325  |         |      | 170.85  | 2.4  | 6.1     | 266  | 228.99  | 2.9  | F 67    | 4    | 7.1    | 227  |         |      | 195.39 | 3.4  |         |      | 8.1    | 199  | 170.85 | 3.9  | 4.3    | 380  | 199.70 | 1.49 | F 57   | 6    | 4.6    | 349  |        |      | 183.60 | 1.62 |        |      |         |      | 5.4    | 299  | 157.09  | 1.89 | 6.2    | 259  |         |      | 136.16 | 2.2  | 6.7     | 242  | 127.27  | 2.3  |         |      | 7.7    | 209  | 110.01 | 2.7  | 7.0    | 232  |         |      | 199.70  | 2.4  | F 57   | 4    |         |      |        |      |        |      |        |      | 7.6     | 213  |         |      |        |      | 183.60 | 2.6  | 8.8    | 183  |        |      | 157.09  | 3.1  | 10     | 158  | 136.16  | 3.6  |         |      | 11      | 148  | 127.27  | 3.8  | 4.5    | 360  | 189.39  | 1.0  | F 47   | 6    | 4.9    | 331  |        |      | 174.13 | 1.1  |        |      |         |      | 5.7    | 283  |        |      | 148.98 | 1.3  | 6.6    | 245  |        |      | 129.14 | 1.5  | 7.0    | 229  | 120.70 | 2.5  | 7.3    | 220  | 189.39 | 1.71 | F 47   | 4   | 8.0    | 202  |        |      |        |     | 174.13 | 1.86 |        |      |        |      | 9.3    | 173  | 148.98 | 2.2  | 11     | 150  |        |      | 129.14 | 2.5  | 12     | 140  | 120.70 | 2.7  |        |      |        |      |        |      |        |     |        |      |        |      |        |      |        |      |        |      |        |     |        |      |        |      |        |      |        |      |        |      |        |      |        |      |        |      |        |      |        |      |        |     |        |     |        |      |        |     |        |      |        |      |        |     |        |     |        |     |        |     |        |     |        |     |        |     |        |     |        |      |        |     |        |     |        |      |        |      |        |     |        |      |        |     |        |      |        |      |        |     |        |      |        |      |        |      |        |     |        |      |        |      |        |      |        |      |        |      |        |     |        |      |        |      |        |      |        |      |        |     |        |     |
| 7.9           | 194        | 176      | 1.94                   | 0.48        | 3171    | 2881          | 0.9        | F 87R57  | 4                      | 8.2         | 187     |         |      | 170     | 1.00 |         |      | F 37R17 | 4    |          |      |         |      |          |      |         |      |          |      | 0.54    | 2834 | 2575     | 1.0  |         |      |          |      | 0.63    | 2420 | 2199    | 1.2  |         |      |         |      | 0.72    | 2124 | 1930    | 1.3  |         |      |         |      | 0.81    | 1881 | 1709    | 1.5  |         |      |         |      | 0.93    | 1643 | 1493    | 1.7  |         |      |         |      | 1.1     | 1431 | 1300    | 2.0  |         |      |         |      | 1.2     | 1264 | 1148    | 2.2  |         |      | 1.4     | 1112 | 1010   | 2.5  | 1.6     | 976  | 887     | 2.9  | 1.8     | 859  | 780     | 3.3  | 8.3     | 185  | 168     | 1.02 | 10      | 146  | 133     | 1.28 | 11      | 142  | 129     | 1.32 | 3.0     | 536  | 281.71  | 2.6  | F 77    | 6    | 3.2     | 500  |         |      | 262.93  | 2.8  |         |      | 3.8     | 429  | 225.79  | 3.3  | 0.8     | 1902 | 1728    | 0.7  | F 77R37 | 4    | 3.7     | 435  |         |      | 228.99  | 1.77 |         |      | F 67    | 6    |         |      |        |      |         |      |         |      | 0.9    | 1698 | 1543    | 0.8  |         |      | 1.0     | 1490 | 1354   | 0.9  | 1.2    | 1316 |         |      | 1196    | 1.1  | 1.3    | 1156 | 1050   | 1.2  |         |      | 1.5     | 998  | 907    | 1.4  | 1.7    | 892  |         |      | 810     | 1.6  | 2.0    | 781  | 710    | 1.8  |         |      | 2.3     | 660  | 600     | 2.1  | 4.4     | 371  |         |      | 195.39  | 2.1  | 5.0     | 325  | 170.85  | 2.4  | 6.1     | 266  | 228.99  | 2.9  | F 67    | 4    | 7.1     | 227  |         |      | 195.39 | 3.4  |         |      | 8.1    | 199  | 170.85  | 3.9  | 4.3    | 380  | 199.70 | 1.49 | F 57   | 6    | 4.6    | 349  |        |      | 183.60 | 1.62 |        |      | 5.4    | 299  |        |      |         |      | 157.09 | 1.89 | 6.2     | 259  | 136.16 | 2.2  |         |      | 6.7    | 242  | 127.27  | 2.3  | 7.7     | 209  |         |      | 110.01 | 2.7  | 7.0    | 232  | 199.70 | 2.4  |         |      | F 57    | 4    |        |      |         |      |        |      |        |      |        |      | 7.6     | 213  |         |      | 183.60 | 2.6  | 8.8    | 183  | 157.09 | 3.1  |        |      | 10      | 158  | 136.16 | 3.6  | 11      | 148  | 127.27  | 3.8  | 4.5     | 360  | 189.39  | 1.0  | F 47   | 6    | 4.9     | 331  |        |      | 174.13 | 1.1  |        |      | 5.7    | 283  |        |      |         |      | 148.98 | 1.3  |        |      | 6.6    | 245  | 129.14 | 1.5  | 7.0    | 229  | 120.70 | 2.5  | 7.3    | 220  | 189.39 | 1.71 | F 47   | 4    | 8.0    | 202  |        |     | 174.13 | 1.86 |        |      |        |     | 9.3    | 173  |        |      |        |      | 148.98 | 2.2  | 11     | 150  | 129.14 | 2.5  | 12     | 140  | 120.70 | 2.7  |        |      |        |      |        |      |        |      |        |      |        |     |        |      |        |      |        |      |        |      |        |      |        |     |        |      |        |      |        |      |        |      |        |      |        |      |        |      |        |      |        |      |        |      |        |     |        |     |        |      |        |     |        |      |        |      |        |     |        |     |        |     |        |     |        |     |        |     |        |     |        |     |        |      |        |     |        |     |        |      |        |      |        |     |        |      |        |     |        |      |        |      |        |     |        |      |        |      |        |      |        |     |        |      |        |      |        |      |        |      |        |      |        |     |        |      |        |      |        |      |        |      |        |     |        |     |
| 0.48          | 3171       | 2881     | 0.9                    | F 87R57     | 4       | 8.2           | 187        |          |                        | 170         | 1.00    |         |      | F 37R17 | 4    |         |      |         |      |          |      |         |      |          |      |         |      |          |      |         |      |          |      |         |      |          |      |         |      |         |      |         |      |         |      |         |      |         |      |         |      |         |      |         |      |         |      |         |      |         |      |         |      |         |      |         |      |         |      |         |      |         |      |         |      |         |      |         |      |         |      |         |      |         |      |        |      |         |      |         |      |         |      |         |      |         |      |         |      |         |      |         |      |         |      |         |      |         |      |         |      |         |      |         |      |         |      |         |      |         |      |         |      |         |      |         |      |         |      |         |      |         |      |         |      |         |      |         |      |         |      |         |      |        |      |         |      |         |      |        |      |         |      |         |      |         |      |        |      |        |      |         |      |         |      |        |      |        |      |         |      |         |      |        |      |        |      |         |      |         |      |        |      |        |      |         |      |         |      |         |      |         |      |         |      |         |      |         |      |         |      |         |      |         |      |         |      |         |      |         |      |        |      |         |      |        |      |         |      |        |      |        |      |        |      |        |      |        |      |        |      |        |      |        |      |        |      |         |      |        |      |         |      |        |      |         |      |        |      |         |      |         |      |         |      |        |      |        |      |        |      |         |      |         |      |        |      |         |      |        |      |        |      |        |      |         |      |         |      |        |      |        |      |        |      |        |      |         |      |        |      |         |      |         |      |         |      |         |      |        |      |         |      |        |      |        |      |        |      |        |      |        |      |         |      |        |      |        |      |        |      |        |      |        |      |        |      |        |      |        |      |        |      |        |      |        |     |        |      |        |      |        |     |        |      |        |      |        |      |        |      |        |      |        |      |        |      |        |      |        |      |        |      |        |      |        |      |        |      |        |     |        |      |        |      |        |      |        |      |        |      |        |     |        |      |        |      |        |      |        |      |        |      |        |      |        |      |        |      |        |      |        |      |        |     |        |     |        |      |        |     |        |      |        |      |        |     |        |     |        |     |        |     |        |     |        |     |        |     |        |     |        |      |        |     |        |     |        |      |        |      |        |     |        |      |        |     |        |      |        |      |        |     |        |      |        |      |        |      |        |     |        |      |        |      |        |      |        |      |        |      |        |     |        |      |        |      |        |      |        |      |        |     |        |     |
| 0.54          | 2834       | 2575     | 1.0                    |             |         | 0.63          | 2420       |          |                        | 2199        | 1.2     |         |      |         |      |         |      |         |      |          |      |         |      |          |      |         |      |          |      | 0.72    | 2124 | 1930     | 1.3  |         |      |          |      | 0.81    | 1881 | 1709    | 1.5  |         |      |         |      | 0.93    | 1643 | 1493    | 1.7  |         |      |         |      | 1.1     | 1431 | 1300    | 2.0  |         |      |         |      | 1.2     | 1264 | 1148    | 2.2  |         |      | 1.4     | 1112 | 1010    | 2.5  | 1.6     | 976  | 887     | 2.9  | 1.8     | 859  | 780     | 3.3  | 8.3     | 185  | 168     | 1.02 | 10      | 146  | 133    | 1.28 | 11      | 142  | 129     | 1.32 | 3.0     | 536  | 281.71  | 2.6  | F 77    | 6    | 3.2     | 500  | 262.93  | 2.8  | 3.8     | 429  | 225.79  | 3.3  | 0.8     | 1902 | 1728    | 0.7  | F 77R37 | 4    |         |      | 3.7     | 435  | 228.99  | 1.77 | F 67    | 6    | 0.9     | 1698 | 1543    | 0.8  | 1.0     | 1490 | 1354    | 0.9  | 1.2     | 1316 |         |      | 1196    | 1.1  |         |      | 1.3     | 1156 |         |      |         |      |         |      | 1050   | 1.2  |         |      | 1.5     | 998  | 907    | 1.4  | 1.7     | 892  |         |      | 810     | 1.6  | 2.0    | 781  | 710    | 1.8  |         |      | 2.3     | 660  | 600    | 2.1  | 4.4    | 371  |         |      | 195.39  | 2.1  | 5.0    | 325  | 170.85 | 2.4  |         |      | 6.1     | 266  | 228.99 | 2.9  | F 67   | 4    | 7.1     | 227  | 195.39  | 3.4  | 8.1     | 199  | 170.85  | 3.9  | 4.3     | 380  | 199.70  | 1.49 | F 57    | 6    | 4.6     | 349  | 183.60  | 1.62 | 5.4     | 299  |         |      | 157.09  | 1.89 | 6.2     | 259  | 136.16 | 2.2  | 6.7     | 242  | 127.27 | 2.3  | 7.7     | 209  | 110.01 | 2.7  | 7.0    | 232  |        |      | 199.70 | 2.4  |        |      | F 57   | 4    |        |      | 7.6    | 213  |        |      |         |      | 183.60 | 2.6  | 8.8     | 183  | 157.09 | 3.1  |         |      | 10     | 158  | 136.16  | 3.6  | 11      | 148  |         |      | 127.27 | 3.8  | 4.5    | 360  | 189.39 | 1.0  |         |      |         |      |        |      |         |      |        |      | F 47   | 6    | 4.9    | 331  | 174.13  | 1.1  | 5.7     | 283  | 148.98 | 1.3  | 6.6    | 245  | 129.14 | 1.5  | 7.0    | 229  | 120.70  | 2.5  | 7.3    | 220  | 189.39  | 1.71 | F 47    | 4    | 8.0     | 202  | 174.13  | 1.86 |        |      | 9.3     | 173  |        |      | 148.98 | 2.2  |        |      | 11     | 150  | 129.14 | 2.5  |         |      | 12     | 140  | 120.70 | 2.7  |        |      |        |      |        |      |        |      |        |      |        |      |        |      |        |      |        |     |        |      |        |      |        |     |        |      |        |      |        |      |        |      |        |      |        |      |        |      |        |      |        |      |        |      |        |      |        |      |        |      |        |     |        |      |        |      |        |      |        |      |        |      |        |     |        |      |        |      |        |      |        |      |        |      |        |      |        |      |        |      |        |      |        |      |        |     |        |     |        |      |        |     |        |      |        |      |        |     |        |     |        |     |        |     |        |     |        |     |        |     |        |     |        |      |        |     |        |     |        |      |        |      |        |     |        |      |        |     |        |      |        |      |        |     |        |      |        |      |        |      |        |     |        |      |        |      |        |      |        |      |        |      |        |     |        |      |        |      |        |      |        |      |        |     |        |     |
| 0.63          | 2420       | 2199     | 1.2                    |             |         | 0.72          | 2124       |          |                        | 1930        | 1.3     |         |      |         |      |         |      |         |      |          |      |         |      |          |      |         |      |          |      | 0.81    | 1881 | 1709     | 1.5  |         |      |          |      | 0.93    | 1643 | 1493    | 1.7  |         |      |         |      | 1.1     | 1431 | 1300    | 2.0  |         |      |         |      | 1.2     | 1264 | 1148    | 2.2  |         |      | 1.4     | 1112 | 1010    | 2.5  | 1.6     | 976  | 887     | 2.9  | 1.8     | 859  | 780     | 3.3  | 8.3     | 185  | 168     | 1.02 | 10      | 146  | 133     | 1.28 | 11      | 142  | 129     | 1.32 | 3.0     | 536  | 281.71 | 2.6  | F 77    | 6    | 3.2     | 500  | 262.93  | 2.8  | 3.8     | 429  |         |      | 225.79  | 3.3  | 0.8     | 1902 | 1728    | 0.7  | F 77R37 | 4    | 3.7     | 435  | 228.99  | 1.77 |         |      | F 67    | 6    | 0.9     | 1698 | 1543    | 0.8  |         |      | 1.0     | 1490 | 1354    | 0.9  | 1.2     | 1316 | 1196    | 1.1  | 1.3     | 1156 |         |      | 1050    | 1.2  |         |      | 1.5     | 998  |         |      | 907     | 1.4  |         |      | 1.7    | 892  |         |      | 810     | 1.6  | 2.0    | 781  | 710     | 1.8  |         |      | 2.3     | 660  | 600    | 2.1  | 4.4    | 371  |         |      | 195.39  | 2.1  | 5.0    | 325  | 170.85 | 2.4  |         |      | 6.1     | 266  | 228.99 | 2.9  | F 67   | 4    | 7.1     | 227  | 195.39  | 3.4  | 8.1    | 199  |        |      | 170.85  | 3.9  | 4.3     | 380  | 199.70  | 1.49 | F 57    | 6    | 4.6     | 349  | 183.60  | 1.62 |         |      | 5.4     | 299  | 157.09  | 1.89 | 6.2     | 259  | 136.16  | 2.2  | 6.7     | 242  | 127.27  | 2.3  | 7.7    | 209  | 110.01  | 2.7  | 7.0    | 232  | 199.70  | 2.4  | F 57   | 4    | 7.6    | 213  |        |      | 183.60 | 2.6  |        |      |        |      |        |      | 8.8    | 183  |        |      |         |      | 157.09 | 3.1  | 10      | 158  | 136.16 | 3.6  |         |      | 11     | 148  | 127.27  | 3.8  | 4.5     | 360  |         |      | 189.39 | 1.0  | F 47   | 6    | 4.9    | 331  |         |      |         |      |        |      | 174.13  | 1.1  | 5.7    | 283  |        |      | 148.98 | 1.3  | 6.6     | 245  | 129.14  | 1.5  | 7.0    | 229  | 120.70 | 2.5  | 7.3    | 220  | 189.39 | 1.71 | F 47    | 4    | 8.0    | 202  | 174.13  | 1.86 |         |      | 9.3     | 173  | 148.98  | 2.2  |        |      | 11      | 150  |        |      | 129.14 | 2.5  |        |      | 12     | 140  | 120.70 | 2.7  |         |      |        |      |        |      |        |      |        |      |        |      |        |      |        |      |        |      |        |      |        |      |        |     |        |      |        |      |        |     |        |      |        |      |        |      |        |      |        |      |        |      |        |      |        |      |        |      |        |      |        |      |        |      |        |      |        |     |        |      |        |      |        |      |        |      |        |      |        |     |        |      |        |      |        |      |        |      |        |      |        |      |        |      |        |      |        |      |        |      |        |     |        |     |        |      |        |     |        |      |        |      |        |     |        |     |        |     |        |     |        |     |        |     |        |     |        |     |        |      |        |     |        |     |        |      |        |      |        |     |        |      |        |     |        |      |        |      |        |     |        |      |        |      |        |      |        |     |        |      |        |      |        |      |        |      |        |      |        |     |        |      |        |      |        |      |        |      |        |     |        |     |
| 0.72          | 2124       | 1930     | 1.3                    |             |         | 0.81          | 1881       |          |                        | 1709        | 1.5     |         |      |         |      |         |      |         |      |          |      |         |      |          |      |         |      |          |      | 0.93    | 1643 | 1493     | 1.7  |         |      |          |      | 1.1     | 1431 | 1300    | 2.0  |         |      |         |      | 1.2     | 1264 | 1148    | 2.2  |         |      | 1.4     | 1112 | 1010    | 2.5  | 1.6     | 976  | 887     | 2.9  | 1.8     | 859  | 780     | 3.3  | 8.3     | 185  | 168     | 1.02 | 10      | 146  | 133     | 1.28 | 11      | 142  | 129     | 1.32 | 3.0     | 536  | 281.71  | 2.6  | F 77    | 6    | 3.2     | 500  | 262.93  | 2.8  | 3.8    | 429  |         |      | 225.79  | 3.3  | 0.8     | 1902 | 1728    | 0.7  |         |      | F 77R37 | 4    | 3.7     | 435  | 228.99  | 1.77 |         |      | F 67    | 6    | 0.9     | 1698 |         |      |         |      | 1543    | 0.8  | 1.0     | 1490 |         |      | 1354    | 0.9  | 1.2     | 1316 | 1196    | 1.1  | 1.3     | 1156 | 1050    | 1.2  |         |      | 1.5     | 998  |         |      | 907     | 1.4  |         |      | 1.7     | 892  |         |      | 810    | 1.6  |         |      | 2.0     | 781  | 710    | 1.8  | 2.3     | 660  |         |      | 600     | 2.1  | 4.4    | 371  | 195.39 | 2.1  |         |      | 5.0     | 325  | 170.85 | 2.4  | 6.1    | 266  | 228.99  | 2.9  | F 67    | 4    | 7.1    | 227  |        |      | 195.39  | 3.4  | 8.1     | 199  | 170.85 | 3.9  |        |      | 4.3     | 380  | 199.70  | 1.49 | F 57    | 6    |         |      | 4.6     | 349  | 183.60  | 1.62 |         |      | 5.4     | 299  | 157.09  | 1.89 | 6.2     | 259  | 136.16  | 2.2  | 6.7     | 242  | 127.27  | 2.3  | 7.7    | 209  | 110.01  | 2.7  | 7.0    | 232  | 199.70  | 2.4  |        |      | F 57   | 4    |        |      | 7.6    | 213  |        |      |        |      |        |      | 183.60 | 2.6  |        |      |         |      | 8.8    | 183  | 157.09  | 3.1  | 10     | 158  |         |      | 136.16 | 3.6  | 11      | 148  | 127.27  | 3.8  |         |      | 4.5    | 360  |        |      | 189.39 | 1.0  | F 47    | 6    |         |      | 4.9    | 331  | 174.13  | 1.1  | 5.7    | 283  |        |      | 148.98 | 1.3  | 6.6     | 245  | 129.14  | 1.5  | 7.0    | 229  | 120.70 | 2.5  | 7.3    | 220  | 189.39 | 1.71 |         |      | F 47   | 4    | 8.0     | 202  |         |      | 174.13  | 1.86 | 9.3     | 173  |        |      | 148.98  | 2.2  |        |      | 11     | 150  | 129.14 | 2.5  | 12     | 140  | 120.70 | 2.7  |         |      |        |      |        |      |        |      |        |      |        |      |        |      |        |      |        |      |        |      |        |      |        |     |        |      |        |      |        |     |        |      |        |      |        |      |        |      |        |      |        |      |        |      |        |      |        |      |        |      |        |      |        |      |        |      |        |     |        |      |        |      |        |      |        |      |        |      |        |     |        |      |        |      |        |      |        |      |        |      |        |      |        |      |        |      |        |      |        |      |        |     |        |     |        |      |        |     |        |      |        |      |        |     |        |     |        |     |        |     |        |     |        |     |        |     |        |     |        |      |        |     |        |     |        |      |        |      |        |     |        |      |        |     |        |      |        |      |        |     |        |      |        |      |        |      |        |     |        |      |        |      |        |      |        |      |        |      |        |     |        |      |        |      |        |      |        |      |        |     |        |     |
| 0.81          | 1881       | 1709     | 1.5                    |             |         | 0.93          | 1643       |          |                        | 1493        | 1.7     |         |      |         |      |         |      |         |      |          |      |         |      |          |      |         |      |          |      | 1.1     | 1431 | 1300     | 2.0  |         |      |          |      | 1.2     | 1264 | 1148    | 2.2  |         |      | 1.4     | 1112 | 1010    | 2.5  | 1.6     | 976  | 887     | 2.9  | 1.8     | 859  | 780     | 3.3  | 8.3     | 185  | 168     | 1.02 | 10      | 146  | 133     | 1.28 | 11      | 142  | 129     | 1.32 | 3.0     | 536  | 281.71  | 2.6  | F 77    | 6    | 3.2     | 500  | 262.93  | 2.8  | 3.8     | 429  |         |      | 225.79  | 3.3  | 0.8     | 1902 | 1728   | 0.7  |         |      | F 77R37 | 4    | 3.7     | 435  | 228.99  | 1.77 | F 67    | 6    |         |      | 0.9     | 1698 | 1543    | 0.8  |         |      |         |      | 1.0     | 1490 |         |      |         |      | 1354    | 0.9  | 1.2     | 1316 | 1196    | 1.1  | 1.3     | 1156 | 1050    | 1.2  | 1.5     | 998  | 907     | 1.4  | 1.7     | 892  |         |      | 810     | 1.6  |         |      | 2.0     | 781  |         |      | 710     | 1.8  |         |      | 2.3    | 660  |         |      | 600     | 2.1  | 4.4    | 371  | 195.39  | 2.1  |         |      | 5.0     | 325  | 170.85 | 2.4  | 6.1    | 266  | 228.99  | 2.9  | F 67    | 4    | 7.1    | 227  | 195.39 | 3.4  | 8.1     | 199  |         |      | 170.85 | 3.9  |        |      | 4.3     | 380  | 199.70  | 1.49 | F 57   | 6    | 4.6    | 349  | 183.60  | 1.62 | 5.4     | 299  |         |      |         |      | 157.09  | 1.89 | 6.2     | 259  |         |      | 136.16  | 2.2  | 6.7     | 242  | 127.27  | 2.3  | 7.7     | 209  | 110.01  | 2.7  | 7.0     | 232  | 199.70 | 2.4  | F 57    | 4    | 7.6    | 213  | 183.60  | 2.6  |        |      |        |      |        |      | 8.8    | 183  |        |      |        |      |        |      | 157.09 | 3.1  |        |      |         |      | 10     | 158  | 136.16  | 3.6  | 11     | 148  |         |      | 127.27 | 3.8  | 4.5     | 360  | 189.39  | 1.0  | F 47    | 6    | 4.9    | 331  |        |      | 174.13 | 1.1  |         |      | 5.7     | 283  | 148.98 | 1.3  | 6.6     | 245  | 129.14 | 1.5  |        |      | 7.0    | 229  | 120.70  | 2.5  | 7.3     | 220  | 189.39 | 1.71 | F 47   | 4    | 8.0    | 202  | 174.13 | 1.86 |         |      |        |      | 9.3     | 173  |         |      | 148.98  | 2.2  | 11      | 150  |        |      | 129.14  | 2.5  | 12     | 140  | 120.70 | 2.7  |        |      |        |      |        |      |         |      |        |      |        |      |        |      |        |      |        |      |        |      |        |      |        |      |        |      |        |      |        |     |        |      |        |      |        |     |        |      |        |      |        |      |        |      |        |      |        |      |        |      |        |      |        |      |        |      |        |      |        |      |        |      |        |     |        |      |        |      |        |      |        |      |        |      |        |     |        |      |        |      |        |      |        |      |        |      |        |      |        |      |        |      |        |      |        |      |        |     |        |     |        |      |        |     |        |      |        |      |        |     |        |     |        |     |        |     |        |     |        |     |        |     |        |     |        |      |        |     |        |     |        |      |        |      |        |     |        |      |        |     |        |      |        |      |        |     |        |      |        |      |        |      |        |     |        |      |        |      |        |      |        |      |        |      |        |     |        |      |        |      |        |      |        |      |        |     |        |     |
| 0.93          | 1643       | 1493     | 1.7                    |             |         | 1.1           | 1431       |          |                        | 1300        | 2.0     |         |      |         |      |         |      |         |      |          |      |         |      |          |      |         |      |          |      | 1.2     | 1264 | 1148     | 2.2  |         |      | 1.4      | 1112 | 1010    | 2.5  | 1.6     | 976  | 887     | 2.9  | 1.8     | 859  | 780     | 3.3  | 8.3     | 185  | 168     | 1.02 | 10      | 146  | 133     | 1.28 | 11      | 142  | 129     | 1.32 | 3.0     | 536  | 281.71  | 2.6  | F 77    | 6    | 3.2     | 500  | 262.93  | 2.8  | 3.8     | 429  |         |      | 225.79  | 3.3  | 0.8     | 1902 | 1728    | 0.7  |         |      | F 77R37 | 4    | 3.7     | 435  | 228.99 | 1.77 | F 67    | 6    |         |      | 0.9     | 1698 | 1543    | 0.8  |         |      |         |      | 1.0     | 1490 | 1354    | 0.9  |         |      |         |      | 1.2     | 1316 |         |      | 1196    | 1.1  | 1.3     | 1156 | 1050    | 1.2  | 1.5     | 998  | 907     | 1.4  | 1.7     | 892  | 810     | 1.6  | 2.0     | 781  | 710     | 1.8  |         |      | 2.3     | 660  |         |      | 600     | 2.1  |         |      | 4.4     | 371  |         |      | 195.39 | 2.1  |         |      | 5.0     | 325  | 170.85 | 2.4  | 6.1     | 266  | 228.99  | 2.9  | F 67    | 4    | 7.1    | 227  | 195.39 | 3.4  | 8.1     | 199  |         |      | 170.85 | 3.9  | 4.3    | 380  | 199.70  | 1.49 |         |      | F 57   | 6    | 4.6    | 349  | 183.60  | 1.62 | 5.4     | 299  |        |      | 157.09 | 1.89 | 6.2     | 259  | 136.16  | 2.2  |         |      |         |      | 6.7     | 242  | 127.27  | 2.3  |         |      | 7.7     | 209  | 110.01  | 2.7  | 7.0     | 232  | 199.70  | 2.4  | F 57    | 4    | 7.6     | 213  | 183.60 | 2.6  |         |      | 8.8    | 183  | 157.09  | 3.1  |        |      |        |      |        |      | 10     | 158  |        |      |        |      |        |      | 136.16 | 3.6  |        |      |         |      | 11     | 148  | 127.27  | 3.8  | 4.5    | 360  | 189.39  | 1.0  | F 47   | 6    | 4.9     | 331  | 174.13  | 1.1  |         |      | 5.7    | 283  |        |      | 148.98 | 1.3  |         |      | 6.6     | 245  | 129.14 | 1.5  | 7.0     | 229  | 120.70 | 2.5  |        |      | 7.3    | 220  | 189.39  | 1.71 | F 47    | 4    | 8.0    | 202  |        |      | 174.13 | 1.86 | 9.3    | 173  |         |      |        |      | 148.98  | 2.2  |         |      | 11      | 150  | 129.14  | 2.5  | 12     | 140  | 120.70  | 2.7  |        |      |        |      |        |      |        |      |        |      |         |      |        |      |        |      |        |      |        |      |        |      |        |      |        |      |        |      |        |      |        |      |        |     |        |      |        |      |        |     |        |      |        |      |        |      |        |      |        |      |        |      |        |      |        |      |        |      |        |      |        |      |        |      |        |      |        |     |        |      |        |      |        |      |        |      |        |      |        |     |        |      |        |      |        |      |        |      |        |      |        |      |        |      |        |      |        |      |        |      |        |     |        |     |        |      |        |     |        |      |        |      |        |     |        |     |        |     |        |     |        |     |        |     |        |     |        |     |        |      |        |     |        |     |        |      |        |      |        |     |        |      |        |     |        |      |        |      |        |     |        |      |        |      |        |      |        |     |        |      |        |      |        |      |        |      |        |      |        |     |        |      |        |      |        |      |        |      |        |     |        |     |
| 1.1           | 1431       | 1300     | 2.0                    |             |         | 1.2           | 1264       |          |                        | 1148        | 2.2     |         |      |         |      |         |      |         |      |          |      |         |      |          |      |         |      | 1.4      | 1112 | 1010    | 2.5  | 1.6      | 976  | 887     | 2.9  | 1.8      | 859  | 780     | 3.3  | 8.3     | 185  | 168     | 1.02 | 10      | 146  | 133     | 1.28 | 11      | 142  | 129     | 1.32 | 3.0     | 536  | 281.71  | 2.6  | F 77    | 6    | 3.2     | 500  | 262.93  | 2.8  | 3.8     | 429  |         |      | 225.79  | 3.3  | 0.8     | 1902 | 1728    | 0.7  |         |      | F 77R37 | 4    | 3.7     | 435  | 228.99  | 1.77 | F 67    | 6    |         |      | 0.9     | 1698 | 1543   | 0.8  |         |      |         |      | 1.0     | 1490 | 1354    | 0.9  |         |      |         |      | 1.2     | 1316 | 1196    | 1.1  |         |      | 1.3     | 1156 | 1050    | 1.2  |         |      | 1.5     | 998  | 907     | 1.4  | 1.7     | 892  | 810     | 1.6  | 2.0     | 781  | 710     | 1.8  | 2.3     | 660  | 600     | 2.1  | 4.4     | 371  |         |      | 195.39  | 2.1  |         |      | 5.0     | 325  |         |      | 170.85  | 2.4  |         |      | 6.1    | 266  | 228.99  | 2.9  | F 67    | 4    | 7.1    | 227  | 195.39  | 3.4  | 8.1     | 199  |         |      | 170.85 | 3.9  | 4.3    | 380  | 199.70  | 1.49 |         |      | F 57   | 6    | 4.6    | 349  | 183.60  | 1.62 | 5.4     | 299  |        |      | 157.09 | 1.89 | 6.2     | 259  | 136.16  | 2.2  |        |      | 6.7    | 242  | 127.27  | 2.3  | 7.7     | 209  |         |      |         |      | 110.01  | 2.7  | 7.0     | 232  |         |      | 199.70  | 2.4  | F 57    | 4    | 7.6     | 213  | 183.60  | 2.6  |         |      | 8.8     | 183  | 157.09 | 3.1  |         |      | 10     | 158  | 136.16  | 3.6  |        |      |        |      |        |      | 11     | 148  |        |      | 127.27 | 3.8  |        |      | 4.5    | 360  |        |      | 189.39  | 1.0  | F 47   | 6    | 4.9     | 331  | 174.13 | 1.1  | 5.7     | 283  |        |      | 148.98  | 1.3  | 6.6     | 245  |         |      | 129.14 | 1.5  |        |      | 7.0    | 229  |         |      | 120.70  | 2.5  | 7.3    | 220  | 189.39  | 1.71 | F 47   | 4    |        |      | 8.0    | 202  | 174.13  | 1.86 |         |      | 9.3    | 173  |        |      | 148.98 | 2.2  | 11     | 150  |         |      |        |      | 129.14  | 2.5  |         |      | 12      | 140  | 120.70  | 2.7  |        |      |         |      |        |      |        |      |        |      |        |      |        |      |         |      |        |      |        |      |        |      |        |      |        |      |        |      |        |      |        |      |        |      |        |      |        |     |        |      |        |      |        |     |        |      |        |      |        |      |        |      |        |      |        |      |        |      |        |      |        |      |        |      |        |      |        |      |        |      |        |     |        |      |        |      |        |      |        |      |        |      |        |     |        |      |        |      |        |      |        |      |        |      |        |      |        |      |        |      |        |      |        |      |        |     |        |     |        |      |        |     |        |      |        |      |        |     |        |     |        |     |        |     |        |     |        |     |        |     |        |     |        |      |        |     |        |     |        |      |        |      |        |     |        |      |        |     |        |      |        |      |        |     |        |      |        |      |        |      |        |     |        |      |        |      |        |      |        |      |        |      |        |     |        |      |        |      |        |      |        |      |        |     |        |     |
| 1.2           | 1264       | 1148     | 2.2                    |             |         | 1.4           | 1112       |          |                        | 1010        | 2.5     |         |      |         |      |         |      |         |      | 1.6      | 976  |         |      |          |      | 887     | 2.9  | 1.8      | 859  | 780     | 3.3  | 8.3      | 185  | 168     | 1.02 | 10       | 146  | 133     | 1.28 | 11      | 142  | 129     | 1.32 | 3.0     | 536  | 281.71  | 2.6  | F 77    | 6    | 3.2     | 500  | 262.93  | 2.8  | 3.8     | 429  |         |      | 225.79  | 3.3  | 0.8     | 1902 | 1728    | 0.7  |         |      | F 77R37 | 4    | 3.7     | 435  | 228.99  | 1.77 | F 67    | 6    |         |      | 0.9     | 1698 | 1543    | 0.8  |         |      |         |      | 1.0     | 1490 | 1354   | 0.9  |         |      |         |      | 1.2     | 1316 | 1196    | 1.1  | 1.3     | 1156 |         |      | 1050    | 1.2  | 1.5     | 998  |         |      | 907     | 1.4  | 1.7     | 892  |         |      | 810     | 1.6  | 2.0     | 781  | 710     | 1.8  | 2.3     | 660  | 600     | 2.1  | 4.4     | 371  | 195.39  | 2.1  | 5.0     | 325  | 170.85  | 2.4  |         |      | 6.1     | 266  |         |      | 228.99  | 2.9  |         |      | F 67    | 4    | 7.1     | 227  | 195.39 | 3.4  | 8.1     | 199  |         |      | 170.85 | 3.9  | 4.3     | 380  | 199.70  | 1.49 |         |      | F 57   | 6    | 4.6    | 349  | 183.60  | 1.62 | 5.4     | 299  |        |      | 157.09 | 1.89 | 6.2     | 259  | 136.16  | 2.2  |        |      | 6.7    | 242  | 127.27  | 2.3  | 7.7     | 209  |        |      | 110.01 | 2.7  | 7.0     | 232  | 199.70  | 2.4  |         |      |         |      | F 57    | 4    | 7.6     | 213  |         |      | 183.60  | 2.6  |         |      | 8.8     | 183  | 157.09  | 3.1  |         |      | 10      | 158  | 136.16 | 3.6  |         |      | 11     | 148  | 127.27  | 3.8  | 4.5    | 360  |        |      |        |      | 189.39 | 1.0  |        |      | F 47   | 6    |        |      | 4.9    | 331  | 174.13 | 1.1  | 5.7     | 283  |        |      | 148.98  | 1.3  | 6.6    | 245  | 129.14  | 1.5  |        |      | 7.0     | 229  | 120.70  | 2.5  |         |      | 7.3    | 220  |        |      | 189.39 | 1.71 |         |      | F 47    | 4    | 8.0    | 202  | 174.13  | 1.86 |        |      | 9.3    | 173  | 148.98 | 2.2  | 11      | 150  |         |      | 129.14 | 2.5  |        |      | 12     | 140  | 120.70 | 2.7  |         |      |        |      |         |      |         |      |         |      |         |      |        |      |         |      |        |      |        |      |        |      |        |      |        |      |         |      |        |      |        |      |        |      |        |      |        |      |        |      |        |      |        |      |        |      |        |      |        |     |        |      |        |      |        |     |        |      |        |      |        |      |        |      |        |      |        |      |        |      |        |      |        |      |        |      |        |      |        |      |        |      |        |     |        |      |        |      |        |      |        |      |        |      |        |     |        |      |        |      |        |      |        |      |        |      |        |      |        |      |        |      |        |      |        |      |        |     |        |     |        |      |        |     |        |      |        |      |        |     |        |     |        |     |        |     |        |     |        |     |        |     |        |     |        |      |        |     |        |     |        |      |        |      |        |     |        |      |        |     |        |      |        |      |        |     |        |      |        |      |        |      |        |     |        |      |        |      |        |      |        |      |        |      |        |     |        |      |        |      |        |      |        |      |        |     |        |     |
| 1.4           | 1112       | 1010     | 2.5                    |             |         | 1.6           | 976        |          |                        | 887         | 2.9     |         |      |         |      | 1.8     | 859  |         |      | 780      | 3.3  |         |      | 8.3      | 185  | 168     | 1.02 | 10       | 146  | 133     | 1.28 | 11       | 142  | 129     | 1.32 | 3.0      | 536  | 281.71  | 2.6  | F 77    | 6    | 3.2     | 500  | 262.93  | 2.8  | 3.8     | 429  |         |      | 225.79  | 3.3  | 0.8     | 1902 | 1728    | 0.7  |         |      | F 77R37 | 4    | 3.7     | 435  | 228.99  | 1.77 | F 67    | 6    |         |      | 0.9     | 1698 | 1543    | 0.8  |         |      |         |      | 1.0     | 1490 | 1354    | 0.9  |         |      |         |      | 1.2     | 1316 | 1196   | 1.1  | 1.3     | 1156 |         |      | 1050    | 1.2  | 1.5     | 998  | 907     | 1.4  |         |      | 1.7     | 892  | 810     | 1.6  |         |      | 2.0     | 781  | 710     | 1.8  |         |      | 2.3     | 660  | 600     | 2.1  | 4.4     | 371  | 195.39  | 2.1  | 5.0     | 325  | 170.85  | 2.4  | 6.1     | 266  | 228.99  | 2.9  | F 67    | 4    |         |      | 7.1     | 227  |         |      | 195.39  | 3.4  | 8.1     | 199  |         |      | 170.85  | 3.9  | 4.3    | 380  | 199.70  | 1.49 |         |      | F 57   | 6    | 4.6     | 349  | 183.60  | 1.62 | 5.4     | 299  |        |      | 157.09 | 1.89 | 6.2     | 259  | 136.16  | 2.2  |        |      | 6.7    | 242  | 127.27  | 2.3  | 7.7     | 209  |        |      | 110.01 | 2.7  | 7.0     | 232  | 199.70  | 2.4  |        |      | F 57   | 4    | 7.6     | 213  | 183.60  | 2.6  |         |      |         |      |         |      | 8.8     | 183  |         |      | 157.09  | 3.1  |         |      | 10      | 158  | 136.16  | 3.6  |         |      | 11      | 148  | 127.27 | 3.8  |         |      | 4.5    | 360  | 189.39  | 1.0  | F 47   | 6    | 4.9    | 331  |        |      | 174.13 | 1.1  |        |      |        |      | 5.7    | 283  | 148.98 | 1.3  | 6.6    | 245  | 129.14  | 1.5  |        |      | 7.0     | 229  | 120.70 | 2.5  | 7.3     | 220  |        |      | 189.39  | 1.71 | F 47    | 4    |         |      | 8.0    | 202  | 174.13 | 1.86 | 9.3    | 173  |         |      |         |      | 148.98 | 2.2  | 11      | 150  |        |      | 129.14 | 2.5  | 12     | 140  | 120.70  | 2.7  |         |      |        |      |        |      |        |      |        |      |         |      |        |      |         |      |         |      |         |      |         |      |        |      |         |      |        |      |        |      |        |      |        |      |        |      |         |      |        |      |        |      |        |      |        |      |        |      |        |      |        |      |        |      |        |      |        |      |        |     |        |      |        |      |        |     |        |      |        |      |        |      |        |      |        |      |        |      |        |      |        |      |        |      |        |      |        |      |        |      |        |      |        |     |        |      |        |      |        |      |        |      |        |      |        |     |        |      |        |      |        |      |        |      |        |      |        |      |        |      |        |      |        |      |        |      |        |     |        |     |        |      |        |     |        |      |        |      |        |     |        |     |        |     |        |     |        |     |        |     |        |     |        |     |        |      |        |     |        |     |        |      |        |      |        |     |        |      |        |     |        |      |        |      |        |     |        |      |        |      |        |      |        |     |        |      |        |      |        |      |        |      |        |      |        |     |        |      |        |      |        |      |        |      |        |     |        |     |
| 1.6           | 976        | 887      | 2.9                    |             |         | 1.8           | 859        |          |                        | 780         | 3.3     | 8.3     | 185  |         |      | 168     | 1.02 |         |      | 10       | 146  | 133     | 1.28 | 11       | 142  | 129     | 1.32 | 3.0      | 536  | 281.71  | 2.6  | F 77     | 6    | 3.2     | 500  | 262.93   | 2.8  | 3.8     | 429  |         |      | 225.79  | 3.3  | 0.8     | 1902 | 1728    | 0.7  |         |      | F 77R37 | 4    | 3.7     | 435  | 228.99  | 1.77 | F 67    | 6    |         |      | 0.9     | 1698 | 1543    | 0.8  |         |      |         |      | 1.0     | 1490 | 1354    | 0.9  |         |      |         |      | 1.2     | 1316 | 1196    | 1.1  | 1.3     | 1156 |         |      | 1050    | 1.2  | 1.5    | 998  | 907     | 1.4  |         |      | 1.7     | 892  | 810     | 1.6  | 2.0     | 781  |         |      | 710     | 1.8  | 2.3     | 660  |         |      | 600     | 2.1  | 4.4     | 371  |         |      | 195.39  | 2.1  | 5.0     | 325  | 170.85  | 2.4  | 6.1     | 266  | 228.99  | 2.9  | F 67    | 4    | 7.1     | 227  | 195.39  | 3.4  |         |      |         |      | 8.1     | 199  | 170.85  | 3.9  | 4.3     | 380  | 199.70  | 1.49 |         |      | F 57    | 6    | 4.6    | 349  | 183.60  | 1.62 | 5.4     | 299  |        |      | 157.09  | 1.89 | 6.2     | 259  | 136.16  | 2.2  |        |      | 6.7    | 242  | 127.27  | 2.3  | 7.7     | 209  |        |      | 110.01 | 2.7  | 7.0     | 232  | 199.70  | 2.4  |        |      | F 57   | 4    | 7.6     | 213  | 183.60  | 2.6  |        |      |        |      | 8.8     | 183  | 157.09  | 3.1  |         |      |         |      |         |      | 10      | 158  |         |      | 136.16  | 3.6  |         |      | 11      | 148  | 127.27  | 3.8  |         |      | 4.5     | 360  | 189.39 | 1.0  | F 47    | 6    | 4.9    | 331  | 174.13  | 1.1  |        |      | 5.7    | 283  |        |      | 148.98 | 1.3  | 6.6    | 245  |        |      | 129.14 | 1.5  | 7.0    | 229  | 120.70 | 2.5  | 7.3     | 220  |        |      | 189.39  | 1.71 | F 47   | 4    | 8.0     | 202  |        |      | 174.13  | 1.86 |         |      |         |      | 9.3    | 173  | 148.98 | 2.2  | 11     | 150  | 129.14  | 2.5  |         |      | 12     | 140  | 120.70  | 2.7  |        |      |        |      |        |      |         |      |         |      |        |      |        |      |        |      |        |      |         |      |        |      |         |      |         |      |         |      |         |      |        |      |         |      |        |      |        |      |        |      |        |      |        |      |         |      |        |      |        |      |        |      |        |      |        |      |        |      |        |      |        |      |        |      |        |      |        |     |        |      |        |      |        |     |        |      |        |      |        |      |        |      |        |      |        |      |        |      |        |      |        |      |        |      |        |      |        |      |        |      |        |     |        |      |        |      |        |      |        |      |        |      |        |     |        |      |        |      |        |      |        |      |        |      |        |      |        |      |        |      |        |      |        |      |        |     |        |     |        |      |        |     |        |      |        |      |        |     |        |     |        |     |        |     |        |     |        |     |        |     |        |     |        |      |        |     |        |     |        |      |        |      |        |     |        |      |        |     |        |      |        |      |        |     |        |      |        |      |        |      |        |     |        |      |        |      |        |      |        |      |        |      |        |     |        |      |        |      |        |      |        |      |        |     |        |     |
| 1.8           | 859        | 780      | 3.3                    |             |         | 8.3           | 185        | 168      | 1.02                   | 10          | 146     | 133     | 1.28 |         |      | 11      | 142  | 129     | 1.32 | 3.0      | 536  | 281.71  | 2.6  | F 77     | 6    | 3.2     | 500  | 262.93   | 2.8  | 3.8     | 429  |          |      | 225.79  | 3.3  | 0.8      | 1902 | 1728    | 0.7  |         |      | F 77R37 | 4    | 3.7     | 435  | 228.99  | 1.77 | F 67    | 6    |         |      | 0.9     | 1698 | 1543    | 0.8  |         |      |         |      | 1.0     | 1490 | 1354    | 0.9  |         |      |         |      | 1.2     | 1316 | 1196    | 1.1  | 1.3     | 1156 |         |      | 1050    | 1.2  | 1.5     | 998  | 907     | 1.4  |         |      | 1.7     | 892  | 810    | 1.6  | 2.0     | 781  |         |      | 710     | 1.8  | 2.3     | 660  | 600     | 2.1  |         |      | 4.4     | 371  | 195.39  | 2.1  |         |      | 5.0     | 325  | 170.85  | 2.4  |         |      | 6.1     | 266  | 228.99  | 2.9  | F 67    | 4    | 7.1     | 227  | 195.39  | 3.4  |         |      | 8.1     | 199  | 170.85  | 3.9  |         |      | 4.3     | 380  | 199.70  | 1.49 | F 57    | 6    | 4.6     | 349  | 183.60  | 1.62 | 5.4     | 299  |         |      | 157.09 | 1.89 | 6.2     | 259  | 136.16  | 2.2  |        |      | 6.7     | 242  | 127.27  | 2.3  | 7.7     | 209  |        |      | 110.01 | 2.7  | 7.0     | 232  | 199.70  | 2.4  |        |      | F 57   | 4    | 7.6     | 213  | 183.60  | 2.6  |        |      |        |      | 8.8     | 183  | 157.09  | 3.1  |        |      |        |      | 10      | 158  | 136.16  | 3.6  |         |      |         |      |         |      | 11      | 148  |         |      | 127.27  | 3.8  |         |      | 4.5     | 360  | 189.39  | 1.0  | F 47    | 6    | 4.9     | 331  | 174.13 | 1.1  |         |      | 5.7    | 283  | 148.98  | 1.3  |        |      | 6.6    | 245  | 129.14 | 1.5  | 7.0    | 229  | 120.70 | 2.5  |        |      | 7.3    | 220  | 189.39 | 1.71 | F 47   | 4    | 8.0     | 202  |        |      | 174.13  | 1.86 |        |      | 9.3     | 173  |        |      | 148.98  | 2.2  |         |      | 11      | 150  | 129.14 | 2.5  | 12     | 140  | 120.70 | 2.7  |         |      |         |      |        |      |         |      |        |      |        |      |        |      |         |      |         |      |        |      |        |      |        |      |        |      |         |      |        |      |         |      |         |      |         |      |         |      |        |      |         |      |        |      |        |      |        |      |        |      |        |      |         |      |        |      |        |      |        |      |        |      |        |      |        |      |        |      |        |      |        |      |        |      |        |     |        |      |        |      |        |     |        |      |        |      |        |      |        |      |        |      |        |      |        |      |        |      |        |      |        |      |        |      |        |      |        |      |        |     |        |      |        |      |        |      |        |      |        |      |        |     |        |      |        |      |        |      |        |      |        |      |        |      |        |      |        |      |        |      |        |      |        |     |        |     |        |      |        |     |        |      |        |      |        |     |        |     |        |     |        |     |        |     |        |     |        |     |        |     |        |      |        |     |        |     |        |      |        |      |        |     |        |      |        |     |        |      |        |      |        |     |        |      |        |      |        |      |        |     |        |      |        |      |        |      |        |      |        |      |        |     |        |      |        |      |        |      |        |      |        |     |        |     |
| 8.3           | 185        | 168      | 1.02                   | 10          | 146     | 133           | 1.28       | 11       | 142                    | 129         | 1.32    | 3.0     | 536  | 281.71  | 2.6  | F 77    | 6    | 3.2     | 500  | 262.93   | 2.8  | 3.8     | 429  |          |      | 225.79  | 3.3  | 0.8      | 1902 | 1728    | 0.7  |          |      | F 77R37 | 4    | 3.7      | 435  | 228.99  | 1.77 | F 67    | 6    |         |      | 0.9     | 1698 | 1543    | 0.8  |         |      |         |      | 1.0     | 1490 | 1354    | 0.9  |         |      |         |      | 1.2     | 1316 | 1196    | 1.1  | 1.3     | 1156 |         |      | 1050    | 1.2  | 1.5     | 998  | 907     | 1.4  |         |      | 1.7     | 892  | 810     | 1.6  | 2.0     | 781  |         |      | 710     | 1.8  | 2.3    | 660  | 600     | 2.1  |         |      | 4.4     | 371  | 195.39  | 2.1  | 5.0     | 325  |         |      | 170.85  | 2.4  | 6.1     | 266  |         |      | 228.99  | 2.9  | F 67    | 4    |         |      | 7.1     | 227  | 195.39  | 3.4  |         |      | 8.1     | 199  | 170.85  | 3.9  |         |      | 4.3     | 380  | 199.70  | 1.49 | F 57    | 6    | 4.6     | 349  | 183.60  | 1.62 |         |      | 5.4     | 299  | 157.09  | 1.89 | 6.2     | 259  |         |      | 136.16 | 2.2  | 6.7     | 242  | 127.27  | 2.3  |        |      | 7.7     | 209  | 110.01  | 2.7  | 7.0     | 232  |        |      | 199.70 | 2.4  | F 57    | 4    | 7.6     | 213  |        |      |        |      | 183.60  | 2.6  | 8.8     | 183  |        |      |        |      | 157.09  | 3.1  | 10      | 158  |        |      |        |      | 136.16  | 3.6  | 11      | 148  |         |      |         |      |         |      | 127.27  | 3.8  |         |      | 4.5     | 360  | 189.39  | 1.0  | F 47    | 6    | 4.9     | 331  |         |      | 174.13  | 1.1  | 5.7    | 283  |         |      | 148.98 | 1.3  | 6.6     | 245  |        |      | 129.14 | 1.5  | 7.0    | 229  | 120.70 | 2.5  | 7.3    | 220  |        |      | 189.39 | 1.71 | F 47   | 4    |        |      | 8.0     | 202  |        |      | 174.13  | 1.86 |        |      | 9.3     | 173  | 148.98 | 2.2  | 11      | 150  |         |      | 129.14  | 2.5  | 12     | 140  | 120.70 | 2.7  |        |      |         |      |         |      |        |      |         |      |        |      |        |      |        |      |         |      |         |      |        |      |        |      |        |      |        |      |         |      |        |      |         |      |         |      |         |      |         |      |        |      |         |      |        |      |        |      |        |      |        |      |        |      |         |      |        |      |        |      |        |      |        |      |        |      |        |      |        |      |        |      |        |      |        |      |        |     |        |      |        |      |        |     |        |      |        |      |        |      |        |      |        |      |        |      |        |      |        |      |        |      |        |      |        |      |        |      |        |      |        |     |        |      |        |      |        |      |        |      |        |      |        |     |        |      |        |      |        |      |        |      |        |      |        |      |        |      |        |      |        |      |        |      |        |     |        |     |        |      |        |     |        |      |        |      |        |     |        |     |        |     |        |     |        |     |        |     |        |     |        |     |        |      |        |     |        |     |        |      |        |      |        |     |        |      |        |     |        |      |        |      |        |     |        |      |        |      |        |      |        |     |        |      |        |      |        |      |        |      |        |      |        |     |        |      |        |      |        |      |        |      |        |     |        |     |
| 10            | 146        | 133      | 1.28                   | 11          | 142     | 129           | 1.32       | 3.0      | 536                    | 281.71      | 2.6     | F 77    | 6    | 3.2     | 500  |         |      | 262.93  | 2.8  | 3.8      | 429  | 225.79  | 3.3  |          |      | 0.8     | 1902 | 1728     | 0.7  | F 77R37 | 4    | 3.7      | 435  |         |      | 228.99   | 1.77 | F 67    | 6    |         |      |         |      | 0.9     | 1698 | 1543    | 0.8  |         |      |         |      | 1.0     | 1490 | 1354    | 0.9  | 1.2     | 1316 |         |      | 1196    | 1.1  | 1.3     | 1156 | 1050    | 1.2  |         |      | 1.5     | 998  | 907     | 1.4  | 1.7     | 892  |         |      | 810     | 1.6  | 2.0     | 781  | 710     | 1.8  |         |      | 2.3     | 660  | 600    | 2.1  | 4.4     | 371  |         |      | 195.39  | 2.1  | 5.0     | 325  | 170.85  | 2.4  |         |      | 6.1     | 266  | 228.99  | 2.9  |         |      | F 67    | 4    |         |      | 7.1     | 227  | 195.39  | 3.4  | 8.1     | 199  |         |      | 170.85  | 3.9  | 4.3     | 380  | 199.70  | 1.49 | F 57    | 6    | 4.6     | 349  |         |      | 183.60  | 1.62 | 5.4     | 299  |         |      | 157.09  | 1.89 | 6.2     | 259  | 136.16  | 2.2  |         |      | 6.7    | 242  | 127.27  | 2.3  | 7.7     | 209  |        |      | 110.01  | 2.7  | 7.0     | 232  | 199.70  | 2.4  |        |      | F 57   | 4    |         |      | 7.6     | 213  |        |      |        |      | 183.60  | 2.6  | 8.8     | 183  |        |      |        |      | 157.09  | 3.1  | 10      | 158  |        |      |        |      | 136.16  | 3.6  | 11      | 148  |         |      |         |      | 127.27  | 3.8  | 4.5     | 360  | 189.39  | 1.0  | F 47    | 6    | 4.9     | 331  |         |      | 174.13  | 1.1  |         |      | 5.7     | 283  | 148.98 | 1.3  |         |      | 6.6    | 245  | 129.14  | 1.5  |        |      | 7.0    | 229  | 120.70 | 2.5  | 7.3    | 220  | 189.39 | 1.71 |        |      | F 47   | 4    |        |      |        |      | 8.0     | 202  | 174.13 | 1.86 | 9.3     | 173  |        |      | 148.98  | 2.2  | 11     | 150  | 129.14  | 2.5  |         |      | 12      | 140  | 120.70 | 2.7  |        |      |        |      |         |      |         |      |        |      |         |      |        |      |        |      |        |      |         |      |         |      |        |      |        |      |        |      |        |      |         |      |        |      |         |      |         |      |         |      |         |      |        |      |         |      |        |      |        |      |        |      |        |      |        |      |         |      |        |      |        |      |        |      |        |      |        |      |        |      |        |      |        |      |        |      |        |      |        |     |        |      |        |      |        |     |        |      |        |      |        |      |        |      |        |      |        |      |        |      |        |      |        |      |        |      |        |      |        |      |        |      |        |     |        |      |        |      |        |      |        |      |        |      |        |     |        |      |        |      |        |      |        |      |        |      |        |      |        |      |        |      |        |      |        |      |        |     |        |     |        |      |        |     |        |      |        |      |        |     |        |     |        |     |        |     |        |     |        |     |        |     |        |     |        |      |        |     |        |     |        |      |        |      |        |     |        |      |        |     |        |      |        |      |        |     |        |      |        |      |        |      |        |     |        |      |        |      |        |      |        |      |        |      |        |     |        |      |        |      |        |      |        |      |        |     |        |     |
| 11            | 142        | 129      | 1.32                   | 3.0         | 536     | 281.71        | 2.6        | F 77     | 6                      | 3.2         | 500     |         |      | 262.93  | 2.8  |         |      | 3.8     | 429  | 225.79   | 3.3  | 0.8     | 1902 | 1728     | 0.7  | F 77R37 | 4    | 3.7      | 435  |         |      | 228.99   | 1.77 |         |      | F 67     | 6    |         |      |         |      |         |      | 0.9     | 1698 | 1543    | 0.8  | 1.0     | 1490 |         |      | 1354    | 0.9  | 1.2     | 1316 | 1196    | 1.1  |         |      | 1.3     | 1156 | 1050    | 1.2  | 1.5     | 998  |         |      | 907     | 1.4  | 1.7     | 892  | 810     | 1.6  |         |      | 2.0     | 781  | 710     | 1.8  | 2.3     | 660  |         |      | 600     | 2.1  | 4.4    | 371  | 195.39  | 2.1  |         |      | 5.0     | 325  | 170.85  | 2.4  | 6.1     | 266  |         |      | 228.99  | 2.9  | F 67    | 4    | 7.1     | 227  |         |      |         |      | 195.39  | 3.4  | 8.1     | 199  | 170.85  | 3.9  | 4.3     | 380  | 199.70  | 1.49 | F 57    | 6    | 4.6     | 349  |         |      | 183.60  | 1.62 |         |      | 5.4     | 299  | 157.09  | 1.89 |         |      | 6.2     | 259  | 136.16  | 2.2  | 6.7     | 242  |         |      | 127.27 | 2.3  | 7.7     | 209  | 110.01  | 2.7  |        |      | 7.0     | 232  | 199.70  | 2.4  | F 57    | 4    |        |      |        |      |         |      | 7.6     | 213  |        |      |        |      | 183.60  | 2.6  | 8.8     | 183  |        |      |        |      | 157.09  | 3.1  | 10      | 158  |        |      | 136.16 | 3.6  | 11      | 148  | 127.27  | 3.8  |         |      | 4.5     | 360  | 189.39  | 1.0  | F 47    | 6    | 4.9     | 331  |         |      | 174.13  | 1.1  |         |      | 5.7     | 283  |         |      | 148.98  | 1.3  | 6.6    | 245  |         |      | 129.14 | 1.5  | 7.0     | 229  |        |      | 120.70 | 2.5  | 7.3    | 220  | 189.39 | 1.71 | F 47   | 4    | 8.0    | 202  |        |      |        |      |        |      | 174.13  | 1.86 | 9.3    | 173  | 148.98  | 2.2  |        |      | 11      | 150  | 129.14 | 2.5  | 12      | 140  |         |      | 120.70  | 2.7  |        |      |        |      |        |      |         |      |         |      |        |      |         |      |        |      |        |      |        |      |         |      |         |      |        |      |        |      |        |      |        |      |         |      |        |      |         |      |         |      |         |      |         |      |        |      |         |      |        |      |        |      |        |      |        |      |        |      |         |      |        |      |        |      |        |      |        |      |        |      |        |      |        |      |        |      |        |      |        |      |        |     |        |      |        |      |        |     |        |      |        |      |        |      |        |      |        |      |        |      |        |      |        |      |        |      |        |      |        |      |        |      |        |      |        |     |        |      |        |      |        |      |        |      |        |      |        |     |        |      |        |      |        |      |        |      |        |      |        |      |        |      |        |      |        |      |        |      |        |     |        |     |        |      |        |     |        |      |        |      |        |     |        |     |        |     |        |     |        |     |        |     |        |     |        |     |        |      |        |     |        |     |        |      |        |      |        |     |        |      |        |     |        |      |        |      |        |     |        |      |        |      |        |      |        |     |        |      |        |      |        |      |        |      |        |      |        |     |        |      |        |      |        |      |        |      |        |     |        |     |
| 3.0           | 536        | 281.71   | 2.6                    | F 77        | 6       |               |            |          |                        |             |         |         |      |         |      |         |      |         |      |          |      |         |      |          |      |         |      |          |      |         |      |          |      |         |      |          |      |         |      |         |      |         |      |         |      |         |      |         |      |         |      |         |      |         |      |         |      |         |      |         |      |         |      |         |      |         |      |         |      |         |      |         |      |         |      |         |      |         |      |         |      |         |      |         |      |        |      |         |      |         |      |         |      |         |      |         |      |         |      |         |      |         |      |         |      |         |      |         |      |         |      |         |      |         |      |         |      |         |      |         |      |         |      |         |      |         |      |         |      |         |      |         |      |         |      |         |      |         |      |         |      |         |      |        |      |         |      |         |      |        |      |         |      |         |      |         |      |        |      |        |      |         |      |         |      |        |      |        |      |         |      |         |      |        |      |        |      |         |      |         |      |        |      |        |      |         |      |         |      |         |      |         |      |         |      |         |      |         |      |         |      |         |      |         |      |         |      |         |      |         |      |        |      |         |      |        |      |         |      |        |      |        |      |        |      |        |      |        |      |        |      |        |      |        |      |        |      |         |      |        |      |         |      |        |      |         |      |        |      |         |      |         |      |         |      |        |      |        |      |        |      |         |      |         |      |        |      |         |      |        |      |        |      |        |      |         |      |         |      |        |      |        |      |        |      |        |      |         |      |        |      |         |      |         |      |         |      |         |      |        |      |         |      |        |      |        |      |        |      |        |      |        |      |         |      |        |      |        |      |        |      |        |      |        |      |        |      |        |      |        |      |        |      |        |      |        |     |        |      |        |      |        |     |        |      |        |      |        |      |        |      |        |      |        |      |        |      |        |      |        |      |        |      |        |      |        |      |        |      |        |     |        |      |        |      |        |      |        |      |        |      |        |     |        |      |        |      |        |      |        |      |        |      |        |      |        |      |        |      |        |      |        |      |        |     |        |     |        |      |        |     |        |      |        |      |        |     |        |     |        |     |        |     |        |     |        |     |        |     |        |     |        |      |        |     |        |     |        |      |        |      |        |     |        |      |        |     |        |      |        |      |        |     |        |      |        |      |        |      |        |     |        |      |        |      |        |      |        |      |        |      |        |     |        |      |        |      |        |      |        |      |        |     |        |     |
| 3.2           | 500        | 262.93   | 2.8                    |             |         |               |            |          |                        |             |         |         |      |         |      |         |      |         |      |          |      |         |      |          |      |         |      |          |      |         |      |          |      |         |      |          |      |         |      |         |      |         |      |         |      |         |      |         |      |         |      |         |      |         |      |         |      |         |      |         |      |         |      |         |      |         |      |         |      |         |      |         |      |         |      |         |      |         |      |         |      |         |      |         |      |        |      |         |      |         |      |         |      |         |      |         |      |         |      |         |      |         |      |         |      |         |      |         |      |         |      |         |      |         |      |         |      |         |      |         |      |         |      |         |      |         |      |         |      |         |      |         |      |         |      |         |      |         |      |         |      |         |      |        |      |         |      |         |      |        |      |         |      |         |      |         |      |        |      |        |      |         |      |         |      |        |      |        |      |         |      |         |      |        |      |        |      |         |      |         |      |        |      |        |      |         |      |         |      |         |      |         |      |         |      |         |      |         |      |         |      |         |      |         |      |         |      |         |      |         |      |        |      |         |      |        |      |         |      |        |      |        |      |        |      |        |      |        |      |        |      |        |      |        |      |        |      |         |      |        |      |         |      |        |      |         |      |        |      |         |      |         |      |         |      |        |      |        |      |        |      |         |      |         |      |        |      |         |      |        |      |        |      |        |      |         |      |         |      |        |      |        |      |        |      |        |      |         |      |        |      |         |      |         |      |         |      |         |      |        |      |         |      |        |      |        |      |        |      |        |      |        |      |         |      |        |      |        |      |        |      |        |      |        |      |        |      |        |      |        |      |        |      |        |      |        |     |        |      |        |      |        |     |        |      |        |      |        |      |        |      |        |      |        |      |        |      |        |      |        |      |        |      |        |      |        |      |        |      |        |     |        |      |        |      |        |      |        |      |        |      |        |     |        |      |        |      |        |      |        |      |        |      |        |      |        |      |        |      |        |      |        |      |        |     |        |     |        |      |        |     |        |      |        |      |        |     |        |     |        |     |        |     |        |     |        |     |        |     |        |     |        |      |        |     |        |     |        |      |        |      |        |     |        |      |        |     |        |      |        |      |        |     |        |      |        |      |        |      |        |     |        |      |        |      |        |      |        |      |        |      |        |     |        |      |        |      |        |      |        |      |        |     |        |     |
| 3.8           | 429        | 225.79   | 3.3                    |             |         | 0.8           | 1902       | 1728     | 0.7                    | F 77R37     | 4       | 3.7     | 435  | 228.99  | 1.77 | F 67    | 6    | 0.9     | 1698 | 1543     | 0.8  | 1.0     | 1490 | 1354     | 0.9  |         |      | 1.2      | 1316 |         |      | 1196     | 1.1  |         |      | 1.3      | 1156 | 1050    | 1.2  | 1.5     | 998  |         |      | 907     | 1.4  | 1.7     | 892  | 810     | 1.6  |         |      | 2.0     | 781  | 710     | 1.8  | 2.3     | 660  |         |      | 600     | 2.1  | 4.4     | 371  | 195.39  | 2.1  |         |      | 5.0     | 325  | 170.85  | 2.4  | 6.1     | 266  |         |      | 228.99  | 2.9  | F 67    | 4    | 7.1     | 227  | 195.39  | 3.4  | 8.1     | 199  | 170.85 | 3.9  | 4.3     | 380  | 199.70  | 1.49 | F 57    | 6    | 4.6     | 349  | 183.60  | 1.62 | 5.4     | 299  | 157.09  | 1.89 | 6.2     | 259  | 136.16  | 2.2  | 6.7     | 242  | 127.27  | 2.3  | 7.7     | 209  | 110.01  | 2.7  | 7.0     | 232  | 199.70  | 2.4  | F 57    | 4    |         |      | 7.6     | 213  |         |      | 183.60  | 2.6  |         |      | 8.8     | 183  | 157.09  | 3.1  |         |      | 10      | 158  | 136.16  | 3.6  | 11      | 148  |         |      | 127.27 | 3.8  | 4.5     | 360  | 189.39  | 1.0  |        |      | F 47    | 6    | 4.9     | 331  |         |      |        |      |        |      | 174.13  | 1.1  | 5.7     | 283  |        |      | 148.98 | 1.3  | 6.6     | 245  | 129.14  | 1.5  | 7.0    | 229  | 120.70 | 2.5  | 7.3     | 220  | 189.39  | 1.71 | F 47   | 4    | 8.0    | 202  | 174.13  | 1.86 | 9.3     | 173  | 148.98  | 2.2  | 11      | 150  | 129.14  | 2.5  |         |      | 12      | 140  |         |      | 120.70  | 2.7  |         |      |         |      |         |      |         |      |        |      |         |      |        |      |         |      |        |      |        |      |        |      |        |      |        |      |        |      |        |      |        |      |        |      |         |      |        |      |         |      |        |      |         |      |        |      |         |      |         |      |         |      |        |      |        |      |        |      |         |      |         |      |        |      |         |      |        |      |        |      |        |      |         |      |         |      |        |      |        |      |        |      |        |      |         |      |        |      |         |      |         |      |         |      |         |      |        |      |         |      |        |      |        |      |        |      |        |      |        |      |         |      |        |      |        |      |        |      |        |      |        |      |        |      |        |      |        |      |        |      |        |      |        |     |        |      |        |      |        |     |        |      |        |      |        |      |        |      |        |      |        |      |        |      |        |      |        |      |        |      |        |      |        |      |        |      |        |     |        |      |        |      |        |      |        |      |        |      |        |     |        |      |        |      |        |      |        |      |        |      |        |      |        |      |        |      |        |      |        |      |        |     |        |     |        |      |        |     |        |      |        |      |        |     |        |     |        |     |        |     |        |     |        |     |        |     |        |     |        |      |        |     |        |     |        |      |        |      |        |     |        |      |        |     |        |      |        |      |        |     |        |      |        |      |        |      |        |     |        |      |        |      |        |      |        |      |        |      |        |     |        |      |        |      |        |      |        |      |        |     |        |     |
| 0.8           | 1902       | 1728     | 0.7                    | F 77R37     | 4       | 3.7           | 435        | 228.99   | 1.77                   |             |         | F 67    | 6    |         |      |         |      |         |      |          |      |         |      |          |      |         |      |          |      |         |      |          |      |         |      |          |      |         |      |         |      |         |      |         |      |         |      |         |      |         |      |         |      |         |      |         |      |         |      |         |      |         |      |         |      |         |      |         |      |         |      |         |      |         |      |         |      |         |      |         |      |         |      |         |      |        |      |         |      |         |      |         |      |         |      |         |      |         |      |         |      |         |      |         |      |         |      |         |      |         |      |         |      |         |      |         |      |         |      |         |      |         |      |         |      |         |      |         |      |         |      |         |      |         |      |         |      |         |      |         |      |         |      |        |      |         |      |         |      |        |      |         |      |         |      |         |      |        |      |        |      |         |      |         |      |        |      |        |      |         |      |         |      |        |      |        |      |         |      |         |      |        |      |        |      |         |      |         |      |         |      |         |      |         |      |         |      |         |      |         |      |         |      |         |      |         |      |         |      |         |      |        |      |         |      |        |      |         |      |        |      |        |      |        |      |        |      |        |      |        |      |        |      |        |      |        |      |         |      |        |      |         |      |        |      |         |      |        |      |         |      |         |      |         |      |        |      |        |      |        |      |         |      |         |      |        |      |         |      |        |      |        |      |        |      |         |      |         |      |        |      |        |      |        |      |        |      |         |      |        |      |         |      |         |      |         |      |         |      |        |      |         |      |        |      |        |      |        |      |        |      |        |      |         |      |        |      |        |      |        |      |        |      |        |      |        |      |        |      |        |      |        |      |        |      |        |     |        |      |        |      |        |     |        |      |        |      |        |      |        |      |        |      |        |      |        |      |        |      |        |      |        |      |        |      |        |      |        |      |        |     |        |      |        |      |        |      |        |      |        |      |        |     |        |      |        |      |        |      |        |      |        |      |        |      |        |      |        |      |        |      |        |      |        |     |        |     |        |      |        |     |        |      |        |      |        |     |        |     |        |     |        |     |        |     |        |     |        |     |        |     |        |      |        |     |        |     |        |      |        |      |        |     |        |      |        |     |        |      |        |      |        |     |        |      |        |      |        |      |        |     |        |      |        |      |        |      |        |      |        |      |        |     |        |      |        |      |        |      |        |      |        |     |        |     |
| 0.9           | 1698       | 1543     | 0.8                    |             |         | 1.0           | 1490       | 1354     | 0.9                    |             |         |         |      | 1.2     | 1316 |         |      | 1196    | 1.1  | 1.3      | 1156 | 1050    | 1.2  | 1.5      | 998  |         |      | 907      | 1.4  |         |      | 1.7      | 892  |         |      | 810      | 1.6  | 2.0     | 781  | 710     | 1.8  |         |      | 2.3     | 660  | 600     | 2.1  | 4.4     | 371  |         |      | 195.39  | 2.1  | 5.0     | 325  | 170.85  | 2.4  |         |      | 6.1     | 266  | 228.99  | 2.9  | F 67    | 4    | 7.1     | 227  | 195.39  | 3.4  | 8.1     | 199  | 170.85  | 3.9  | 4.3     | 380  | 199.70  | 1.49 |         |      | F 57    | 6    | 4.6     | 349  | 183.60  | 1.62 | 5.4    | 299  | 157.09  | 1.89 | 6.2     | 259  |         |      | 136.16  | 2.2  | 6.7     | 242  | 127.27  | 2.3  | 7.7     | 209  | 110.01  | 2.7  | 7.0     | 232  | 199.70  | 2.4  | F 57    | 4    | 7.6     | 213  | 183.60  | 2.6  | 8.8     | 183  | 157.09  | 3.1  |         |      |         |      | 10      | 158  |         |      | 136.16  | 3.6  |         |      | 11      | 148  | 127.27  | 3.8  |         |      | 4.5     | 360  | 189.39  | 1.0  | F 47    | 6    |         |      | 4.9    | 331  | 174.13  | 1.1  | 5.7     | 283  |        |      |         |      | 148.98  | 1.3  | 6.6     | 245  | 129.14 | 1.5  | 7.0    | 229  | 120.70  | 2.5  | 7.3     | 220  | 189.39 | 1.71 | F 47   | 4    | 8.0     | 202  | 174.13  | 1.86 | 9.3    | 173  | 148.98 | 2.2  | 11      | 150  | 129.14  | 2.5  |        |      | 12     | 140  | 120.70  | 2.7  |         |      |         |      |         |      |         |      |         |      |         |      |         |      |         |      |         |      |         |      |         |      |         |      |        |      |         |      |        |      |         |      |        |      |        |      |        |      |        |      |        |      |        |      |        |      |        |      |        |      |         |      |        |      |         |      |        |      |         |      |        |      |         |      |         |      |         |      |        |      |        |      |        |      |         |      |         |      |        |      |         |      |        |      |        |      |        |      |         |      |         |      |        |      |        |      |        |      |        |      |         |      |        |      |         |      |         |      |         |      |         |      |        |      |         |      |        |      |        |      |        |      |        |      |        |      |         |      |        |      |        |      |        |      |        |      |        |      |        |      |        |      |        |      |        |      |        |      |        |     |        |      |        |      |        |     |        |      |        |      |        |      |        |      |        |      |        |      |        |      |        |      |        |      |        |      |        |      |        |      |        |      |        |     |        |      |        |      |        |      |        |      |        |      |        |     |        |      |        |      |        |      |        |      |        |      |        |      |        |      |        |      |        |      |        |      |        |     |        |     |        |      |        |     |        |      |        |      |        |     |        |     |        |     |        |     |        |     |        |     |        |     |        |     |        |      |        |     |        |     |        |      |        |      |        |     |        |      |        |     |        |      |        |      |        |     |        |      |        |      |        |      |        |     |        |      |        |      |        |      |        |      |        |      |        |     |        |      |        |      |        |      |        |      |        |     |        |     |
| 1.0           | 1490       | 1354     | 0.9                    |             |         | 1.2           | 1316       | 1196     | 1.1                    |             |         |         |      | 1.3     | 1156 | 1050    | 1.2  | 1.5     | 998  | 907      | 1.4  | 1.7     | 892  | 810      | 1.6  |         |      | 2.0      | 781  |         |      | 710      | 1.8  |         |      | 2.3      | 660  | 600     | 2.1  | 4.4     | 371  |         |      | 195.39  | 2.1  | 5.0     | 325  | 170.85  | 2.4  |         |      | 6.1     | 266  | 228.99  | 2.9  | F 67    | 4    | 7.1     | 227  | 195.39  | 3.4  | 8.1     | 199  |         |      | 170.85  | 3.9  | 4.3     | 380  | 199.70  | 1.49 | F 57    | 6    | 4.6     | 349  | 183.60  | 1.62 | 5.4     | 299  |         |      | 157.09  | 1.89 | 6.2     | 259  | 136.16 | 2.2  | 6.7     | 242  | 127.27  | 2.3  |         |      | 7.7     | 209  | 110.01  | 2.7  | 7.0     | 232  | 199.70  | 2.4  | F 57    | 4    | 7.6     | 213  | 183.60  | 2.6  |         |      | 8.8     | 183  | 157.09  | 3.1  | 10      | 158  | 136.16  | 3.6  |         |      |         |      | 11      | 148  |         |      | 127.27  | 3.8  |         |      | 4.5     | 360  | 189.39  | 1.0  |         |      | F 47    | 6    | 4.9     | 331  |         |      |         |      | 174.13 | 1.1  | 5.7     | 283  | 148.98  | 1.3  | 6.6    | 245  |         |      | 129.14  | 1.5  | 7.0     | 229  | 120.70 | 2.5  | 7.3    | 220  | 189.39  | 1.71 | F 47    | 4    | 8.0    | 202  |        |      | 174.13  | 1.86 | 9.3     | 173  | 148.98 | 2.2  | 11     | 150  | 129.14  | 2.5  | 12      | 140  |        |      | 120.70 | 2.7  |         |      |         |      |         |      |         |      |         |      |         |      |         |      |         |      |         |      |         |      |         |      |         |      |         |      |        |      |         |      |        |      |         |      |        |      |        |      |        |      |        |      |        |      |        |      |        |      |        |      |        |      |         |      |        |      |         |      |        |      |         |      |        |      |         |      |         |      |         |      |        |      |        |      |        |      |         |      |         |      |        |      |         |      |        |      |        |      |        |      |         |      |         |      |        |      |        |      |        |      |        |      |         |      |        |      |         |      |         |      |         |      |         |      |        |      |         |      |        |      |        |      |        |      |        |      |        |      |         |      |        |      |        |      |        |      |        |      |        |      |        |      |        |      |        |      |        |      |        |      |        |     |        |      |        |      |        |     |        |      |        |      |        |      |        |      |        |      |        |      |        |      |        |      |        |      |        |      |        |      |        |      |        |      |        |     |        |      |        |      |        |      |        |      |        |      |        |     |        |      |        |      |        |      |        |      |        |      |        |      |        |      |        |      |        |      |        |      |        |     |        |     |        |      |        |     |        |      |        |      |        |     |        |     |        |     |        |     |        |     |        |     |        |     |        |     |        |      |        |     |        |     |        |      |        |      |        |     |        |      |        |     |        |      |        |      |        |     |        |      |        |      |        |      |        |     |        |      |        |      |        |      |        |      |        |      |        |     |        |      |        |      |        |      |        |      |        |     |        |     |
| 1.2           | 1316       | 1196     | 1.1                    |             |         | 1.3           | 1156       | 1050     | 1.2                    |             |         | 1.5     | 998  | 907     | 1.4  | 1.7     | 892  | 810     | 1.6  | 2.0      | 781  | 710     | 1.8  | 2.3      | 660  |         |      | 600      | 2.1  |         |      | 4.4      | 371  |         |      | 195.39   | 2.1  | 5.0     | 325  | 170.85  | 2.4  |         |      | 6.1     | 266  | 228.99  | 2.9  | F 67    | 4    | 7.1     | 227  | 195.39  | 3.4  | 8.1     | 199  |         |      | 170.85  | 3.9  | 4.3     | 380  | 199.70  | 1.49 |         |      | F 57    | 6    | 4.6     | 349  | 183.60  | 1.62 |         |      | 5.4     | 299  | 157.09  | 1.89 | 6.2     | 259  |         |      | 136.16  | 2.2  | 6.7     | 242  | 127.27 | 2.3  | 7.7     | 209  | 110.01  | 2.7  |         |      | 7.0     | 232  | 199.70  | 2.4  | F 57    | 4    | 7.6     | 213  |         |      | 183.60  | 2.6  | 8.8     | 183  |         |      | 157.09  | 3.1  | 10      | 158  | 136.16  | 3.6  | 11      | 148  |         |      |         |      | 127.27  | 3.8  |         |      | 4.5     | 360  |         |      | 189.39  | 1.0  | F 47    | 6    |         |      |         |      | 4.9     | 331  |         |      | 174.13  | 1.1  | 5.7    | 283  | 148.98  | 1.3  | 6.6     | 245  | 129.14 | 1.5  |         |      | 7.0     | 229  | 120.70  | 2.5  | 7.3    | 220  | 189.39 | 1.71 | F 47    | 4    |         |      | 8.0    | 202  |        |      | 174.13  | 1.86 | 9.3     | 173  | 148.98 | 2.2  | 11     | 150  | 129.14  | 2.5  | 12      | 140  |        |      | 120.70 | 2.7  |         |      |         |      |         |      |         |      |         |      |         |      |         |      |         |      |         |      |         |      |         |      |         |      |         |      |        |      |         |      |        |      |         |      |        |      |        |      |        |      |        |      |        |      |        |      |        |      |        |      |        |      |         |      |        |      |         |      |        |      |         |      |        |      |         |      |         |      |         |      |        |      |        |      |        |      |         |      |         |      |        |      |         |      |        |      |        |      |        |      |         |      |         |      |        |      |        |      |        |      |        |      |         |      |        |      |         |      |         |      |         |      |         |      |        |      |         |      |        |      |        |      |        |      |        |      |        |      |         |      |        |      |        |      |        |      |        |      |        |      |        |      |        |      |        |      |        |      |        |      |        |     |        |      |        |      |        |     |        |      |        |      |        |      |        |      |        |      |        |      |        |      |        |      |        |      |        |      |        |      |        |      |        |      |        |     |        |      |        |      |        |      |        |      |        |      |        |     |        |      |        |      |        |      |        |      |        |      |        |      |        |      |        |      |        |      |        |      |        |     |        |     |        |      |        |     |        |      |        |      |        |     |        |     |        |     |        |     |        |     |        |     |        |     |        |     |        |      |        |     |        |     |        |      |        |      |        |     |        |      |        |     |        |      |        |      |        |     |        |      |        |      |        |      |        |     |        |      |        |      |        |      |        |      |        |      |        |     |        |      |        |      |        |      |        |      |        |     |        |     |
| 1.3           | 1156       | 1050     | 1.2                    |             |         | 1.5           | 998        | 907      | 1.4                    |             |         | 1.7     | 892  | 810     | 1.6  | 2.0     | 781  | 710     | 1.8  | 2.3      | 660  | 600     | 2.1  | 4.4      | 371  |         |      | 195.39   | 2.1  |         |      | 5.0      | 325  |         |      | 170.85   | 2.4  | 6.1     | 266  | 228.99  | 2.9  | F 67    | 4    | 7.1     | 227  | 195.39  | 3.4  |         |      | 8.1     | 199  | 170.85  | 3.9  | 4.3     | 380  |         |      | 199.70  | 1.49 | F 57    | 6    | 4.6     | 349  | 183.60  | 1.62 |         |      | 5.4     | 299  | 157.09  | 1.89 |         |      | 6.2     | 259  | 136.16  | 2.2  | 6.7     | 242  |         |      | 127.27  | 2.3  | 7.7     | 209  | 110.01 | 2.7  | 7.0     | 232  | 199.70  | 2.4  |         |      | F 57    | 4    | 7.6     | 213  |         |      | 183.60  | 2.6  |         |      | 8.8     | 183  | 157.09  | 3.1  |         |      | 10      | 158  | 136.16  | 3.6  | 11      | 148  | 127.27  | 3.8  | 4.5     | 360  |         |      | 189.39  | 1.0  |         |      | F 47    | 6    |         |      | 4.9     | 331  |         |      | 174.13  | 1.1  |         |      | 5.7     | 283  |         |      | 148.98  | 1.3  | 6.6    | 245  | 129.14  | 1.5  | 7.0     | 229  | 120.70 | 2.5  |         |      | 7.3     | 220  | 189.39  | 1.71 | F 47   | 4    | 8.0    | 202  |         |      |         |      | 174.13 | 1.86 |        |      | 9.3     | 173  | 148.98  | 2.2  | 11     | 150  | 129.14 | 2.5  | 12      | 140  | 120.70  | 2.7  |        |      |        |      |         |      |         |      |         |      |         |      |         |      |         |      |         |      |         |      |         |      |         |      |         |      |         |      |         |      |        |      |         |      |        |      |         |      |        |      |        |      |        |      |        |      |        |      |        |      |        |      |        |      |        |      |         |      |        |      |         |      |        |      |         |      |        |      |         |      |         |      |         |      |        |      |        |      |        |      |         |      |         |      |        |      |         |      |        |      |        |      |        |      |         |      |         |      |        |      |        |      |        |      |        |      |         |      |        |      |         |      |         |      |         |      |         |      |        |      |         |      |        |      |        |      |        |      |        |      |        |      |         |      |        |      |        |      |        |      |        |      |        |      |        |      |        |      |        |      |        |      |        |      |        |     |        |      |        |      |        |     |        |      |        |      |        |      |        |      |        |      |        |      |        |      |        |      |        |      |        |      |        |      |        |      |        |      |        |     |        |      |        |      |        |      |        |      |        |      |        |     |        |      |        |      |        |      |        |      |        |      |        |      |        |      |        |      |        |      |        |      |        |     |        |     |        |      |        |     |        |      |        |      |        |     |        |     |        |     |        |     |        |     |        |     |        |     |        |     |        |      |        |     |        |     |        |      |        |      |        |     |        |      |        |     |        |      |        |      |        |     |        |      |        |      |        |      |        |     |        |      |        |      |        |      |        |      |        |      |        |     |        |      |        |      |        |      |        |      |        |     |        |     |
| 1.5           | 998        | 907      | 1.4                    |             |         | 1.7           | 892        | 810      | 1.6                    |             |         | 2.0     | 781  | 710     | 1.8  | 2.3     | 660  | 600     | 2.1  | 4.4      | 371  | 195.39  | 2.1  | 5.0      | 325  |         |      | 170.85   | 2.4  |         |      | 6.1      | 266  | 228.99  | 2.9  | F 67     | 4    | 7.1     | 227  | 195.39  | 3.4  |         |      | 8.1     | 199  | 170.85  | 3.9  |         |      | 4.3     | 380  | 199.70  | 1.49 | F 57    | 6    | 4.6     | 349  | 183.60  | 1.62 |         |      | 5.4     | 299  | 157.09  | 1.89 |         |      | 6.2     | 259  | 136.16  | 2.2  |         |      | 6.7     | 242  | 127.27  | 2.3  | 7.7     | 209  |         |      | 110.01  | 2.7  | 7.0     | 232  | 199.70 | 2.4  | F 57    | 4    | 7.6     | 213  |         |      |         |      | 183.60  | 2.6  |         |      | 8.8     | 183  |         |      | 157.09  | 3.1  | 10      | 158  |         |      | 136.16  | 3.6  | 11      | 148  | 127.27  | 3.8  | 4.5     | 360  | 189.39  | 1.0  |         |      | F 47    | 6    |         |      |         |      | 4.9     | 331  | 174.13  | 1.1  |         |      | 5.7     | 283  |         |      | 148.98  | 1.3  |         |      | 6.6     | 245  | 129.14 | 1.5  | 7.0     | 229  | 120.70  | 2.5  | 7.3    | 220  | 189.39  | 1.71 | F 47    | 4    | 8.0     | 202  |        |      | 174.13 | 1.86 |         |      |         |      | 9.3    | 173  |        |      | 148.98  | 2.2  | 11      | 150  | 129.14 | 2.5  | 12     | 140  | 120.70  | 2.7  |         |      |        |      |        |      |         |      |         |      |         |      |         |      |         |      |         |      |         |      |         |      |         |      |         |      |         |      |         |      |         |      |        |      |         |      |        |      |         |      |        |      |        |      |        |      |        |      |        |      |        |      |        |      |        |      |        |      |         |      |        |      |         |      |        |      |         |      |        |      |         |      |         |      |         |      |        |      |        |      |        |      |         |      |         |      |        |      |         |      |        |      |        |      |        |      |         |      |         |      |        |      |        |      |        |      |        |      |         |      |        |      |         |      |         |      |         |      |         |      |        |      |         |      |        |      |        |      |        |      |        |      |        |      |         |      |        |      |        |      |        |      |        |      |        |      |        |      |        |      |        |      |        |      |        |      |        |     |        |      |        |      |        |     |        |      |        |      |        |      |        |      |        |      |        |      |        |      |        |      |        |      |        |      |        |      |        |      |        |      |        |     |        |      |        |      |        |      |        |      |        |      |        |     |        |      |        |      |        |      |        |      |        |      |        |      |        |      |        |      |        |      |        |      |        |     |        |     |        |      |        |     |        |      |        |      |        |     |        |     |        |     |        |     |        |     |        |     |        |     |        |     |        |      |        |     |        |     |        |      |        |      |        |     |        |      |        |     |        |      |        |      |        |     |        |      |        |      |        |      |        |     |        |      |        |      |        |      |        |      |        |      |        |     |        |      |        |      |        |      |        |      |        |     |        |     |
| 1.7           | 892        | 810      | 1.6                    |             |         | 2.0           | 781        | 710      | 1.8                    |             |         | 2.3     | 660  | 600     | 2.1  | 4.4     | 371  | 195.39  | 2.1  | 5.0      | 325  | 170.85  | 2.4  | 6.1      | 266  |         |      | 228.99   | 2.9  | F 67    | 4    | 7.1      | 227  | 195.39  | 3.4  |          |      | 8.1     | 199  | 170.85  | 3.9  |         |      | 4.3     | 380  | 199.70  | 1.49 | F 57    | 6    | 4.6     | 349  | 183.60  | 1.62 |         |      | 5.4     | 299  | 157.09  | 1.89 |         |      | 6.2     | 259  | 136.16  | 2.2  |         |      | 6.7     | 242  | 127.27  | 2.3  |         |      | 7.7     | 209  | 110.01  | 2.7  | 7.0     | 232  |         |      | 199.70  | 2.4  | F 57    | 4    | 7.6    | 213  |         |      | 183.60  | 2.6  |         |      |         |      | 8.8     | 183  |         |      | 157.09  | 3.1  |         |      | 10      | 158  | 136.16  | 3.6  | 11      | 148  | 127.27  | 3.8  | 4.5     | 360  | 189.39  | 1.0  | F 47    | 6    | 4.9     | 331  |         |      |         |      | 174.13  | 1.1  |         |      | 5.7     | 283  | 148.98  | 1.3  |         |      | 6.6     | 245  |         |      | 129.14  | 1.5  |         |      | 7.0     | 229  | 120.70 | 2.5  | 7.3     | 220  | 189.39  | 1.71 | F 47   | 4    | 8.0     | 202  |         |      | 174.13  | 1.86 |        |      | 9.3    | 173  |         |      |         |      | 148.98 | 2.2  |        |      | 11      | 150  | 129.14  | 2.5  | 12     | 140  | 120.70 | 2.7  |         |      |         |      |        |      |        |      |         |      |         |      |         |      |         |      |         |      |         |      |         |      |         |      |         |      |         |      |         |      |         |      |         |      |        |      |         |      |        |      |         |      |        |      |        |      |        |      |        |      |        |      |        |      |        |      |        |      |        |      |         |      |        |      |         |      |        |      |         |      |        |      |         |      |         |      |         |      |        |      |        |      |        |      |         |      |         |      |        |      |         |      |        |      |        |      |        |      |         |      |         |      |        |      |        |      |        |      |        |      |         |      |        |      |         |      |         |      |         |      |         |      |        |      |         |      |        |      |        |      |        |      |        |      |        |      |         |      |        |      |        |      |        |      |        |      |        |      |        |      |        |      |        |      |        |      |        |      |        |     |        |      |        |      |        |     |        |      |        |      |        |      |        |      |        |      |        |      |        |      |        |      |        |      |        |      |        |      |        |      |        |      |        |     |        |      |        |      |        |      |        |      |        |      |        |     |        |      |        |      |        |      |        |      |        |      |        |      |        |      |        |      |        |      |        |      |        |     |        |     |        |      |        |     |        |      |        |      |        |     |        |     |        |     |        |     |        |     |        |     |        |     |        |     |        |      |        |     |        |     |        |      |        |      |        |     |        |      |        |     |        |      |        |      |        |     |        |      |        |      |        |      |        |     |        |      |        |      |        |      |        |      |        |      |        |     |        |      |        |      |        |      |        |      |        |     |        |     |
| 2.0           | 781        | 710      | 1.8                    |             |         | 2.3           | 660        | 600      | 2.1                    |             |         | 4.4     | 371  | 195.39  | 2.1  | 5.0     | 325  | 170.85  | 2.4  | 6.1      | 266  | 228.99  | 2.9  | F 67     | 4    | 7.1     | 227  | 195.39   | 3.4  |         |      | 8.1      | 199  | 170.85  | 3.9  |          |      | 4.3     | 380  | 199.70  | 1.49 | F 57    | 6    | 4.6     | 349  | 183.60  | 1.62 |         |      | 5.4     | 299  | 157.09  | 1.89 |         |      | 6.2     | 259  | 136.16  | 2.2  |         |      | 6.7     | 242  | 127.27  | 2.3  |         |      | 7.7     | 209  | 110.01  | 2.7  |         |      | 7.0     | 232  | 199.70  | 2.4  | F 57    | 4    |         |      | 7.6     | 213  |         |      | 183.60 | 2.6  |         |      | 8.8     | 183  |         |      |         |      | 157.09  | 3.1  |         |      | 10      | 158  | 136.16  | 3.6  | 11      | 148  | 127.27  | 3.8  | 4.5     | 360  | 189.39  | 1.0  | F 47    | 6    | 4.9     | 331  |         |      | 174.13  | 1.1  | 5.7     | 283  |         |      | 148.98  | 1.3  |         |      | 6.6     | 245  | 129.14  | 1.5  |         |      | 7.0     | 229  |         |      | 120.70  | 2.5  | 7.3     | 220  | 189.39  | 1.71 | F 47   | 4    | 8.0     | 202  | 174.13  | 1.86 |        |      | 9.3     | 173  |         |      | 148.98  | 2.2  |        |      | 11     | 150  |         |      |         |      | 129.14 | 2.5  | 12     | 140  | 120.70  | 2.7  |         |      |        |      |        |      |         |      |         |      |        |      |        |      |         |      |         |      |         |      |         |      |         |      |         |      |         |      |         |      |         |      |         |      |         |      |         |      |         |      |        |      |         |      |        |      |         |      |        |      |        |      |        |      |        |      |        |      |        |      |        |      |        |      |        |      |         |      |        |      |         |      |        |      |         |      |        |      |         |      |         |      |         |      |        |      |        |      |        |      |         |      |         |      |        |      |         |      |        |      |        |      |        |      |         |      |         |      |        |      |        |      |        |      |        |      |         |      |        |      |         |      |         |      |         |      |         |      |        |      |         |      |        |      |        |      |        |      |        |      |        |      |         |      |        |      |        |      |        |      |        |      |        |      |        |      |        |      |        |      |        |      |        |      |        |     |        |      |        |      |        |     |        |      |        |      |        |      |        |      |        |      |        |      |        |      |        |      |        |      |        |      |        |      |        |      |        |      |        |     |        |      |        |      |        |      |        |      |        |      |        |     |        |      |        |      |        |      |        |      |        |      |        |      |        |      |        |      |        |      |        |      |        |     |        |     |        |      |        |     |        |      |        |      |        |     |        |     |        |     |        |     |        |     |        |     |        |     |        |     |        |      |        |     |        |     |        |      |        |      |        |     |        |      |        |     |        |      |        |      |        |     |        |      |        |      |        |      |        |     |        |      |        |      |        |      |        |      |        |      |        |     |        |      |        |      |        |      |        |      |        |     |        |     |
| 2.3           | 660        | 600      | 2.1                    |             |         | 4.4           | 371        | 195.39   | 2.1                    |             |         | 5.0     | 325  | 170.85  | 2.4  | 6.1     | 266  | 228.99  | 2.9  | F 67     | 4    | 7.1     | 227  |          |      | 195.39  | 3.4  | 8.1      | 199  |         |      | 170.85   | 3.9  | 4.3     | 380  | 199.70   | 1.49 | F 57    | 6    | 4.6     | 349  |         |      | 183.60  | 1.62 | 5.4     | 299  |         |      | 157.09  | 1.89 | 6.2     | 259  |         |      | 136.16  | 2.2  | 6.7     | 242  |         |      | 127.27  | 2.3  | 7.7     | 209  |         |      | 110.01  | 2.7  | 7.0     | 232  |         |      | 199.70  | 2.4  | F 57    | 4    |         |      |         |      | 7.6     | 213  |         |      | 183.60 | 2.6  |         |      | 8.8     | 183  |         |      |         |      | 157.09  | 3.1  | 10      | 158  | 136.16  | 3.6  | 11      | 148  | 127.27  | 3.8  | 4.5     | 360  | 189.39  | 1.0  | F 47    | 6    |         |      | 4.9     | 331  |         |      | 174.13  | 1.1  | 5.7     | 283  |         |      | 148.98  | 1.3  |         |      | 6.6     | 245  | 129.14  | 1.5  |         |      | 7.0     | 229  | 120.70  | 2.5  | 7.3     | 220  | 189.39  | 1.71 | F 47    | 4    |        |      | 8.0     | 202  | 174.13  | 1.86 |        |      | 9.3     | 173  |         |      | 148.98  | 2.2  |        |      | 11     | 150  |         |      | 129.14  | 2.5  | 12     | 140  | 120.70 | 2.7  |         |      |         |      |        |      |        |      |         |      |         |      |        |      |        |      |         |      |         |      |         |      |         |      |         |      |         |      |         |      |         |      |         |      |         |      |         |      |         |      |         |      |        |      |         |      |        |      |         |      |        |      |        |      |        |      |        |      |        |      |        |      |        |      |        |      |        |      |         |      |        |      |         |      |        |      |         |      |        |      |         |      |         |      |         |      |        |      |        |      |        |      |         |      |         |      |        |      |         |      |        |      |        |      |        |      |         |      |         |      |        |      |        |      |        |      |        |      |         |      |        |      |         |      |         |      |         |      |         |      |        |      |         |      |        |      |        |      |        |      |        |      |        |      |         |      |        |      |        |      |        |      |        |      |        |      |        |      |        |      |        |      |        |      |        |      |        |     |        |      |        |      |        |     |        |      |        |      |        |      |        |      |        |      |        |      |        |      |        |      |        |      |        |      |        |      |        |      |        |      |        |     |        |      |        |      |        |      |        |      |        |      |        |     |        |      |        |      |        |      |        |      |        |      |        |      |        |      |        |      |        |      |        |      |        |     |        |     |        |      |        |     |        |      |        |      |        |     |        |     |        |     |        |     |        |     |        |     |        |     |        |     |        |      |        |     |        |     |        |      |        |      |        |     |        |      |        |     |        |      |        |      |        |     |        |      |        |      |        |      |        |     |        |      |        |      |        |      |        |      |        |      |        |     |        |      |        |      |        |      |        |      |        |     |        |     |
| 4.4           | 371        | 195.39   | 2.1                    |             |         | 5.0           | 325        | 170.85   | 2.4                    |             |         | 6.1     | 266  | 228.99  | 2.9  | F 67    | 4    | 7.1     | 227  |          |      | 195.39  | 3.4  |          |      | 8.1     | 199  | 170.85   | 3.9  | 4.3     | 380  | 199.70   | 1.49 | F 57    | 6    | 4.6      | 349  |         |      | 183.60  | 1.62 |         |      | 5.4     | 299  | 157.09  | 1.89 |         |      | 6.2     | 259  | 136.16  | 2.2  |         |      | 6.7     | 242  | 127.27  | 2.3  |         |      | 7.7     | 209  | 110.01  | 2.7  |         |      | 7.0     | 232  | 199.70  | 2.4  |         |      | F 57    | 4    |         |      |         |      |         |      | 7.6     | 213  |         |      | 183.60 | 2.6  |         |      | 8.8     | 183  |         |      | 157.09  | 3.1  | 10      | 158  | 136.16  | 3.6  | 11      | 148  | 127.27  | 3.8  | 4.5     | 360  | 189.39  | 1.0  | F 47    | 6    |         |      |         |      | 4.9     | 331  |         |      | 174.13  | 1.1  | 5.7     | 283  |         |      | 148.98  | 1.3  |         |      | 6.6     | 245  | 129.14  | 1.5  | 7.0     | 229  | 120.70  | 2.5  | 7.3     | 220  | 189.39  | 1.71 | F 47    | 4    |         |      |        |      | 8.0     | 202  | 174.13  | 1.86 |        |      | 9.3     | 173  |         |      | 148.98  | 2.2  |        |      | 11     | 150  | 129.14  | 2.5  | 12      | 140  | 120.70 | 2.7  |        |      |         |      |         |      |        |      |        |      |         |      |         |      |        |      |        |      |         |      |         |      |         |      |         |      |         |      |         |      |         |      |         |      |         |      |         |      |         |      |         |      |         |      |        |      |         |      |        |      |         |      |        |      |        |      |        |      |        |      |        |      |        |      |        |      |        |      |        |      |         |      |        |      |         |      |        |      |         |      |        |      |         |      |         |      |         |      |        |      |        |      |        |      |         |      |         |      |        |      |         |      |        |      |        |      |        |      |         |      |         |      |        |      |        |      |        |      |        |      |         |      |        |      |         |      |         |      |         |      |         |      |        |      |         |      |        |      |        |      |        |      |        |      |        |      |         |      |        |      |        |      |        |      |        |      |        |      |        |      |        |      |        |      |        |      |        |      |        |     |        |      |        |      |        |     |        |      |        |      |        |      |        |      |        |      |        |      |        |      |        |      |        |      |        |      |        |      |        |      |        |      |        |     |        |      |        |      |        |      |        |      |        |      |        |     |        |      |        |      |        |      |        |      |        |      |        |      |        |      |        |      |        |      |        |      |        |     |        |     |        |      |        |     |        |      |        |      |        |     |        |     |        |     |        |     |        |     |        |     |        |     |        |     |        |      |        |     |        |     |        |      |        |      |        |     |        |      |        |     |        |      |        |      |        |     |        |      |        |      |        |      |        |     |        |      |        |      |        |      |        |      |        |      |        |     |        |      |        |      |        |      |        |      |        |     |        |     |
| 5.0           | 325        | 170.85   | 2.4                    |             |         | 6.1           | 266        | 228.99   | 2.9                    | F 67        | 4       | 7.1     | 227  | 195.39  | 3.4  |         |      | 8.1     | 199  |          |      | 170.85  | 3.9  | 4.3      | 380  | 199.70  | 1.49 | F 57     | 6    | 4.6     | 349  | 183.60   | 1.62 |         |      | 5.4      | 299  |         |      | 157.09  | 1.89 |         |      | 6.2     | 259  | 136.16  | 2.2  |         |      | 6.7     | 242  | 127.27  | 2.3  |         |      | 7.7     | 209  | 110.01  | 2.7  |         |      | 7.0     | 232  | 199.70  | 2.4  |         |      | F 57    | 4    | 7.6     | 213  |         |      |         |      |         |      |         |      |         |      | 183.60  | 2.6  |         |      | 8.8    | 183  | 157.09  | 3.1  | 10      | 158  | 136.16  | 3.6  | 11      | 148  | 127.27  | 3.8  | 4.5     | 360  | 189.39  | 1.0  | F 47    | 6    | 4.9     | 331  | 174.13  | 1.1  |         |      |         |      |         |      | 5.7     | 283  |         |      | 148.98  | 1.3  | 6.6     | 245  |         |      | 129.14  | 1.5  | 7.0     | 229  | 120.70  | 2.5  | 7.3     | 220  | 189.39  | 1.71 | F 47    | 4    | 8.0     | 202  | 174.13  | 1.86 |         |      |         |      |        |      | 9.3     | 173  | 148.98  | 2.2  |        |      | 11      | 150  |         |      | 129.14  | 2.5  | 12     | 140  | 120.70 | 2.7  |         |      |         |      |        |      |        |      |         |      |         |      |        |      |        |      |         |      |         |      |        |      |        |      |         |      |         |      |         |      |         |      |         |      |         |      |         |      |         |      |         |      |         |      |         |      |         |      |         |      |        |      |         |      |        |      |         |      |        |      |        |      |        |      |        |      |        |      |        |      |        |      |        |      |        |      |         |      |        |      |         |      |        |      |         |      |        |      |         |      |         |      |         |      |        |      |        |      |        |      |         |      |         |      |        |      |         |      |        |      |        |      |        |      |         |      |         |      |        |      |        |      |        |      |        |      |         |      |        |      |         |      |         |      |         |      |         |      |        |      |         |      |        |      |        |      |        |      |        |      |        |      |         |      |        |      |        |      |        |      |        |      |        |      |        |      |        |      |        |      |        |      |        |      |        |     |        |      |        |      |        |     |        |      |        |      |        |      |        |      |        |      |        |      |        |      |        |      |        |      |        |      |        |      |        |      |        |      |        |     |        |      |        |      |        |      |        |      |        |      |        |     |        |      |        |      |        |      |        |      |        |      |        |      |        |      |        |      |        |      |        |      |        |     |        |     |        |      |        |     |        |      |        |      |        |     |        |     |        |     |        |     |        |     |        |     |        |     |        |     |        |      |        |     |        |     |        |      |        |      |        |     |        |      |        |     |        |      |        |      |        |     |        |      |        |      |        |      |        |     |        |      |        |      |        |      |        |      |        |      |        |     |        |      |        |      |        |      |        |      |        |     |        |     |
| 6.1           | 266        | 228.99   | 2.9                    | F 67        | 4       |               |            |          |                        |             |         |         |      |         |      |         |      |         |      |          |      |         |      |          |      |         |      |          |      |         |      |          |      |         |      |          |      |         |      |         |      |         |      |         |      |         |      |         |      |         |      |         |      |         |      |         |      |         |      |         |      |         |      |         |      |         |      |         |      |         |      |         |      |         |      |         |      |         |      |         |      |         |      |         |      |        |      |         |      |         |      |         |      |         |      |         |      |         |      |         |      |         |      |         |      |         |      |         |      |         |      |         |      |         |      |         |      |         |      |         |      |         |      |         |      |         |      |         |      |         |      |         |      |         |      |         |      |         |      |         |      |         |      |        |      |         |      |         |      |        |      |         |      |         |      |         |      |        |      |        |      |         |      |         |      |        |      |        |      |         |      |         |      |        |      |        |      |         |      |         |      |        |      |        |      |         |      |         |      |         |      |         |      |         |      |         |      |         |      |         |      |         |      |         |      |         |      |         |      |         |      |        |      |         |      |        |      |         |      |        |      |        |      |        |      |        |      |        |      |        |      |        |      |        |      |        |      |         |      |        |      |         |      |        |      |         |      |        |      |         |      |         |      |         |      |        |      |        |      |        |      |         |      |         |      |        |      |         |      |        |      |        |      |        |      |         |      |         |      |        |      |        |      |        |      |        |      |         |      |        |      |         |      |         |      |         |      |         |      |        |      |         |      |        |      |        |      |        |      |        |      |        |      |         |      |        |      |        |      |        |      |        |      |        |      |        |      |        |      |        |      |        |      |        |      |        |     |        |      |        |      |        |     |        |      |        |      |        |      |        |      |        |      |        |      |        |      |        |      |        |      |        |      |        |      |        |      |        |      |        |     |        |      |        |      |        |      |        |      |        |      |        |     |        |      |        |      |        |      |        |      |        |      |        |      |        |      |        |      |        |      |        |      |        |     |        |     |        |      |        |     |        |      |        |      |        |     |        |     |        |     |        |     |        |     |        |     |        |     |        |     |        |      |        |     |        |     |        |      |        |      |        |     |        |      |        |     |        |      |        |      |        |     |        |      |        |      |        |      |        |     |        |      |        |      |        |      |        |      |        |      |        |     |        |      |        |      |        |      |        |      |        |     |        |     |
| 7.1           | 227        | 195.39   | 3.4                    |             |         |               |            |          |                        |             |         |         |      |         |      |         |      |         |      |          |      |         |      |          |      |         |      |          |      |         |      |          |      |         |      |          |      |         |      |         |      |         |      |         |      |         |      |         |      |         |      |         |      |         |      |         |      |         |      |         |      |         |      |         |      |         |      |         |      |         |      |         |      |         |      |         |      |         |      |         |      |         |      |         |      |        |      |         |      |         |      |         |      |         |      |         |      |         |      |         |      |         |      |         |      |         |      |         |      |         |      |         |      |         |      |         |      |         |      |         |      |         |      |         |      |         |      |         |      |         |      |         |      |         |      |         |      |         |      |         |      |         |      |        |      |         |      |         |      |        |      |         |      |         |      |         |      |        |      |        |      |         |      |         |      |        |      |        |      |         |      |         |      |        |      |        |      |         |      |         |      |        |      |        |      |         |      |         |      |         |      |         |      |         |      |         |      |         |      |         |      |         |      |         |      |         |      |         |      |         |      |        |      |         |      |        |      |         |      |        |      |        |      |        |      |        |      |        |      |        |      |        |      |        |      |        |      |         |      |        |      |         |      |        |      |         |      |        |      |         |      |         |      |         |      |        |      |        |      |        |      |         |      |         |      |        |      |         |      |        |      |        |      |        |      |         |      |         |      |        |      |        |      |        |      |        |      |         |      |        |      |         |      |         |      |         |      |         |      |        |      |         |      |        |      |        |      |        |      |        |      |        |      |         |      |        |      |        |      |        |      |        |      |        |      |        |      |        |      |        |      |        |      |        |      |        |     |        |      |        |      |        |     |        |      |        |      |        |      |        |      |        |      |        |      |        |      |        |      |        |      |        |      |        |      |        |      |        |      |        |     |        |      |        |      |        |      |        |      |        |      |        |     |        |      |        |      |        |      |        |      |        |      |        |      |        |      |        |      |        |      |        |      |        |     |        |     |        |      |        |     |        |      |        |      |        |     |        |     |        |     |        |     |        |     |        |     |        |     |        |     |        |      |        |     |        |     |        |      |        |      |        |     |        |      |        |     |        |      |        |      |        |     |        |      |        |      |        |      |        |     |        |      |        |      |        |      |        |      |        |      |        |     |        |      |        |      |        |      |        |      |        |     |        |     |
| 8.1           | 199        | 170.85   | 3.9                    |             |         | 4.3           | 380        | 199.70   | 1.49                   | F 57        | 6       | 4.6     | 349  | 183.60  | 1.62 | 5.4     | 299  | 157.09  | 1.89 | 6.2      | 259  | 136.16  | 2.2  | 6.7      | 242  | 127.27  | 2.3  |          |      | 7.7     | 209  | 110.01   | 2.7  |         |      | 7.0      | 232  |         |      | 199.70  | 2.4  |         |      | F 57    | 4    | 7.6     | 213  |         |      | 183.60  | 2.6  | 8.8     | 183  |         |      | 157.09  | 3.1  | 10      | 158  |         |      | 136.16  | 3.6  | 11      | 148  |         |      |         |      | 127.27  | 3.8  | 4.5     | 360  |         |      | 189.39  | 1.0  | F 47    | 6    | 4.9     | 331  | 174.13  | 1.1  | 5.7     | 283  | 148.98 | 1.3  | 6.6     | 245  | 129.14  | 1.5  | 7.0     | 229  | 120.70  | 2.5  | 7.3     | 220  | 189.39  | 1.71 | F 47    | 4    |         |      | 8.0     | 202  | 174.13  | 1.86 |         |      |         |      | 9.3     | 173  | 148.98  | 2.2  | 11      | 150  | 129.14  | 2.5  | 12      | 140  | 120.70  | 2.7  |         |      |         |      |         |      |         |      |         |      |         |      |         |      |         |      |         |      |         |      |        |      |         |      |         |      |        |      |         |      |         |      |         |      |        |      |        |      |         |      |         |      |        |      |        |      |         |      |         |      |        |      |        |      |         |      |         |      |        |      |        |      |         |      |         |      |         |      |         |      |         |      |         |      |         |      |         |      |         |      |         |      |         |      |         |      |         |      |        |      |         |      |        |      |         |      |        |      |        |      |        |      |        |      |        |      |        |      |        |      |        |      |        |      |         |      |        |      |         |      |        |      |         |      |        |      |         |      |         |      |         |      |        |      |        |      |        |      |         |      |         |      |        |      |         |      |        |      |        |      |        |      |         |      |         |      |        |      |        |      |        |      |        |      |         |      |        |      |         |      |         |      |         |      |         |      |        |      |         |      |        |      |        |      |        |      |        |      |        |      |         |      |        |      |        |      |        |      |        |      |        |      |        |      |        |      |        |      |        |      |        |      |        |     |        |      |        |      |        |     |        |      |        |      |        |      |        |      |        |      |        |      |        |      |        |      |        |      |        |      |        |      |        |      |        |      |        |     |        |      |        |      |        |      |        |      |        |      |        |     |        |      |        |      |        |      |        |      |        |      |        |      |        |      |        |      |        |      |        |      |        |     |        |     |        |      |        |     |        |      |        |      |        |     |        |     |        |     |        |     |        |     |        |     |        |     |        |     |        |      |        |     |        |     |        |      |        |      |        |     |        |      |        |     |        |      |        |      |        |     |        |      |        |      |        |      |        |     |        |      |        |      |        |      |        |      |        |      |        |     |        |      |        |      |        |      |        |      |        |     |        |     |
| 4.3           | 380        | 199.70   | 1.49                   | F 57        | 6       |               |            |          |                        |             |         |         |      |         |      |         |      |         |      |          |      |         |      |          |      |         |      |          |      |         |      |          |      |         |      |          |      |         |      |         |      |         |      |         |      |         |      |         |      |         |      |         |      |         |      |         |      |         |      |         |      |         |      |         |      |         |      |         |      |         |      |         |      |         |      |         |      |         |      |         |      |         |      |         |      |        |      |         |      |         |      |         |      |         |      |         |      |         |      |         |      |         |      |         |      |         |      |         |      |         |      |         |      |         |      |         |      |         |      |         |      |         |      |         |      |         |      |         |      |         |      |         |      |         |      |         |      |         |      |         |      |         |      |        |      |         |      |         |      |        |      |         |      |         |      |         |      |        |      |        |      |         |      |         |      |        |      |        |      |         |      |         |      |        |      |        |      |         |      |         |      |        |      |        |      |         |      |         |      |         |      |         |      |         |      |         |      |         |      |         |      |         |      |         |      |         |      |         |      |         |      |        |      |         |      |        |      |         |      |        |      |        |      |        |      |        |      |        |      |        |      |        |      |        |      |        |      |         |      |        |      |         |      |        |      |         |      |        |      |         |      |         |      |         |      |        |      |        |      |        |      |         |      |         |      |        |      |         |      |        |      |        |      |        |      |         |      |         |      |        |      |        |      |        |      |        |      |         |      |        |      |         |      |         |      |         |      |         |      |        |      |         |      |        |      |        |      |        |      |        |      |        |      |         |      |        |      |        |      |        |      |        |      |        |      |        |      |        |      |        |      |        |      |        |      |        |     |        |      |        |      |        |     |        |      |        |      |        |      |        |      |        |      |        |      |        |      |        |      |        |      |        |      |        |      |        |      |        |      |        |     |        |      |        |      |        |      |        |      |        |      |        |     |        |      |        |      |        |      |        |      |        |      |        |      |        |      |        |      |        |      |        |      |        |     |        |     |        |      |        |     |        |      |        |      |        |     |        |     |        |     |        |     |        |     |        |     |        |     |        |     |        |      |        |     |        |     |        |      |        |      |        |     |        |      |        |     |        |      |        |      |        |     |        |      |        |      |        |      |        |     |        |      |        |      |        |      |        |      |        |      |        |     |        |      |        |      |        |      |        |      |        |     |        |     |
| 4.6           | 349        | 183.60   | 1.62                   |             |         | 5.4           | 299        | 157.09   | 1.89                   |             |         | 6.2     | 259  | 136.16  | 2.2  | 6.7     | 242  | 127.27  | 2.3  | 7.7      | 209  | 110.01  | 2.7  | 7.0      | 232  | 199.70  | 2.4  |          |      | F 57    | 4    | 7.6      | 213  |         |      | 183.60   | 2.6  |         |      | 8.8     | 183  |         |      |         |      | 157.09  | 3.1  |         |      | 10      | 158  | 136.16  | 3.6  |         |      | 11      | 148  | 127.27  | 3.8  | 4.5     | 360  | 189.39  | 1.0  | F 47    | 6    | 4.9     | 331  | 174.13  | 1.1  | 5.7     | 283  | 148.98  | 1.3  | 6.6     | 245  | 129.14  | 1.5  |         |      | 7.0     | 229  | 120.70  | 2.5  | 7.3     | 220  | 189.39 | 1.71 | F 47    | 4    | 8.0     | 202  | 174.13  | 1.86 | 9.3     | 173  | 148.98  | 2.2  | 11      | 150  |         |      |         |      | 129.14  | 2.5  | 12      | 140  | 120.70  | 2.7  |         |      |         |      |         |      |         |      |         |      |         |      |         |      |         |      |         |      |         |      |         |      |         |      |         |      |         |      |         |      |         |      |         |      |        |      |         |      |         |      |        |      |         |      |         |      |         |      |        |      |        |      |         |      |         |      |        |      |        |      |         |      |         |      |        |      |        |      |         |      |         |      |        |      |        |      |         |      |         |      |         |      |         |      |         |      |         |      |         |      |         |      |         |      |         |      |         |      |         |      |         |      |        |      |         |      |        |      |         |      |        |      |        |      |        |      |        |      |        |      |        |      |        |      |        |      |        |      |         |      |        |      |         |      |        |      |         |      |        |      |         |      |         |      |         |      |        |      |        |      |        |      |         |      |         |      |        |      |         |      |        |      |        |      |        |      |         |      |         |      |        |      |        |      |        |      |        |      |         |      |        |      |         |      |         |      |         |      |         |      |        |      |         |      |        |      |        |      |        |      |        |      |        |      |         |      |        |      |        |      |        |      |        |      |        |      |        |      |        |      |        |      |        |      |        |      |        |     |        |      |        |      |        |     |        |      |        |      |        |      |        |      |        |      |        |      |        |      |        |      |        |      |        |      |        |      |        |      |        |      |        |     |        |      |        |      |        |      |        |      |        |      |        |     |        |      |        |      |        |      |        |      |        |      |        |      |        |      |        |      |        |      |        |      |        |     |        |     |        |      |        |     |        |      |        |      |        |     |        |     |        |     |        |     |        |     |        |     |        |     |        |     |        |      |        |     |        |     |        |      |        |      |        |     |        |      |        |     |        |      |        |      |        |     |        |      |        |      |        |      |        |     |        |      |        |      |        |      |        |      |        |      |        |     |        |      |        |      |        |      |        |      |        |     |        |     |
| 5.4           | 299        | 157.09   | 1.89                   |             |         | 6.2           | 259        | 136.16   | 2.2                    |             |         | 6.7     | 242  | 127.27  | 2.3  | 7.7     | 209  | 110.01  | 2.7  | 7.0      | 232  | 199.70  | 2.4  | F 57     | 4    | 7.6     | 213  |          |      |         |      | 183.60   | 2.6  |         |      | 8.8      | 183  |         |      | 157.09  | 3.1  |         |      |         |      | 10      | 158  |         |      | 136.16  | 3.6  | 11      | 148  | 127.27  | 3.8  | 4.5     | 360  | 189.39  | 1.0  | F 47    | 6    | 4.9     | 331  |         |      | 174.13  | 1.1  | 5.7     | 283  | 148.98  | 1.3  | 6.6     | 245  | 129.14  | 1.5  | 7.0     | 229  |         |      | 120.70  | 2.5  | 7.3     | 220  | 189.39  | 1.71 | F 47   | 4    |         |      | 8.0     | 202  | 174.13  | 1.86 | 9.3     | 173  | 148.98  | 2.2  | 11      | 150  |         |      | 129.14  | 2.5  | 12      | 140  | 120.70  | 2.7  |         |      |         |      |         |      |         |      |         |      |         |      |         |      |         |      |         |      |         |      |         |      |         |      |         |      |         |      |         |      |         |      |         |      |         |      |        |      |         |      |         |      |        |      |         |      |         |      |         |      |        |      |        |      |         |      |         |      |        |      |        |      |         |      |         |      |        |      |        |      |         |      |         |      |        |      |        |      |         |      |         |      |         |      |         |      |         |      |         |      |         |      |         |      |         |      |         |      |         |      |         |      |         |      |        |      |         |      |        |      |         |      |        |      |        |      |        |      |        |      |        |      |        |      |        |      |        |      |        |      |         |      |        |      |         |      |        |      |         |      |        |      |         |      |         |      |         |      |        |      |        |      |        |      |         |      |         |      |        |      |         |      |        |      |        |      |        |      |         |      |         |      |        |      |        |      |        |      |        |      |         |      |        |      |         |      |         |      |         |      |         |      |        |      |         |      |        |      |        |      |        |      |        |      |        |      |         |      |        |      |        |      |        |      |        |      |        |      |        |      |        |      |        |      |        |      |        |      |        |     |        |      |        |      |        |     |        |      |        |      |        |      |        |      |        |      |        |      |        |      |        |      |        |      |        |      |        |      |        |      |        |      |        |     |        |      |        |      |        |      |        |      |        |      |        |     |        |      |        |      |        |      |        |      |        |      |        |      |        |      |        |      |        |      |        |      |        |     |        |     |        |      |        |     |        |      |        |      |        |     |        |     |        |     |        |     |        |     |        |     |        |     |        |     |        |      |        |     |        |     |        |      |        |      |        |     |        |      |        |     |        |      |        |      |        |     |        |      |        |      |        |      |        |     |        |      |        |      |        |      |        |      |        |      |        |     |        |      |        |      |        |      |        |      |        |     |        |     |
| 6.2           | 259        | 136.16   | 2.2                    |             |         | 6.7           | 242        | 127.27   | 2.3                    |             |         | 7.7     | 209  | 110.01  | 2.7  | 7.0     | 232  | 199.70  | 2.4  | F 57     | 4    | 7.6     | 213  |          |      | 183.60  | 2.6  |          |      |         |      | 8.8      | 183  |         |      | 157.09   | 3.1  |         |      | 10      | 158  |         |      |         |      | 136.16  | 3.6  | 11      | 148  | 127.27  | 3.8  | 4.5     | 360  | 189.39  | 1.0  | F 47    | 6    | 4.9     | 331  |         |      | 174.13  | 1.1  |         |      | 5.7     | 283  | 148.98  | 1.3  | 6.6     | 245  | 129.14  | 1.5  | 7.0     | 229  | 120.70  | 2.5  |         |      | 7.3     | 220  | 189.39  | 1.71 | F 47    | 4    |        |      |         |      | 8.0     | 202  | 174.13  | 1.86 | 9.3     | 173  | 148.98  | 2.2  | 11      | 150  |         |      | 129.14  | 2.5  | 12      | 140  | 120.70  | 2.7  |         |      |         |      |         |      |         |      |         |      |         |      |         |      |         |      |         |      |         |      |         |      |         |      |         |      |         |      |         |      |         |      |         |      |         |      |        |      |         |      |         |      |        |      |         |      |         |      |         |      |        |      |        |      |         |      |         |      |        |      |        |      |         |      |         |      |        |      |        |      |         |      |         |      |        |      |        |      |         |      |         |      |         |      |         |      |         |      |         |      |         |      |         |      |         |      |         |      |         |      |         |      |         |      |        |      |         |      |        |      |         |      |        |      |        |      |        |      |        |      |        |      |        |      |        |      |        |      |        |      |         |      |        |      |         |      |        |      |         |      |        |      |         |      |         |      |         |      |        |      |        |      |        |      |         |      |         |      |        |      |         |      |        |      |        |      |        |      |         |      |         |      |        |      |        |      |        |      |        |      |         |      |        |      |         |      |         |      |         |      |         |      |        |      |         |      |        |      |        |      |        |      |        |      |        |      |         |      |        |      |        |      |        |      |        |      |        |      |        |      |        |      |        |      |        |      |        |      |        |     |        |      |        |      |        |     |        |      |        |      |        |      |        |      |        |      |        |      |        |      |        |      |        |      |        |      |        |      |        |      |        |      |        |     |        |      |        |      |        |      |        |      |        |      |        |     |        |      |        |      |        |      |        |      |        |      |        |      |        |      |        |      |        |      |        |      |        |     |        |     |        |      |        |     |        |      |        |      |        |     |        |     |        |     |        |     |        |     |        |     |        |     |        |     |        |      |        |     |        |     |        |      |        |      |        |     |        |      |        |     |        |      |        |      |        |     |        |      |        |      |        |      |        |     |        |      |        |      |        |      |        |      |        |      |        |     |        |      |        |      |        |      |        |      |        |     |        |     |
| 6.7           | 242        | 127.27   | 2.3                    |             |         | 7.7           | 209        | 110.01   | 2.7                    |             |         | 7.0     | 232  | 199.70  | 2.4  | F 57    | 4    | 7.6     | 213  |          |      | 183.60  | 2.6  |          |      | 8.8     | 183  |          |      |         |      | 157.09   | 3.1  |         |      | 10       | 158  |         |      | 136.16  | 3.6  | 11      | 148  | 127.27  | 3.8  | 4.5     | 360  | 189.39  | 1.0  | F 47    | 6    | 4.9     | 331  | 174.13  | 1.1  |         |      | 5.7     | 283  |         |      | 148.98  | 1.3  |         |      | 6.6     | 245  | 129.14  | 1.5  | 7.0     | 229  | 120.70  | 2.5  | 7.3     | 220  | 189.39  | 1.71 |         |      | F 47    | 4    | 8.0     | 202  |         |      |        |      |         |      | 174.13  | 1.86 | 9.3     | 173  | 148.98  | 2.2  | 11      | 150  | 129.14  | 2.5  |         |      | 12      | 140  | 120.70  | 2.7  |         |      |         |      |         |      |         |      |         |      |         |      |         |      |         |      |         |      |         |      |         |      |         |      |         |      |         |      |         |      |         |      |         |      |         |      |         |      |        |      |         |      |         |      |        |      |         |      |         |      |         |      |        |      |        |      |         |      |         |      |        |      |        |      |         |      |         |      |        |      |        |      |         |      |         |      |        |      |        |      |         |      |         |      |         |      |         |      |         |      |         |      |         |      |         |      |         |      |         |      |         |      |         |      |         |      |        |      |         |      |        |      |         |      |        |      |        |      |        |      |        |      |        |      |        |      |        |      |        |      |        |      |         |      |        |      |         |      |        |      |         |      |        |      |         |      |         |      |         |      |        |      |        |      |        |      |         |      |         |      |        |      |         |      |        |      |        |      |        |      |         |      |         |      |        |      |        |      |        |      |        |      |         |      |        |      |         |      |         |      |         |      |         |      |        |      |         |      |        |      |        |      |        |      |        |      |        |      |         |      |        |      |        |      |        |      |        |      |        |      |        |      |        |      |        |      |        |      |        |      |        |     |        |      |        |      |        |     |        |      |        |      |        |      |        |      |        |      |        |      |        |      |        |      |        |      |        |      |        |      |        |      |        |      |        |     |        |      |        |      |        |      |        |      |        |      |        |     |        |      |        |      |        |      |        |      |        |      |        |      |        |      |        |      |        |      |        |      |        |     |        |     |        |      |        |     |        |      |        |      |        |     |        |     |        |     |        |     |        |     |        |     |        |     |        |     |        |      |        |     |        |     |        |      |        |      |        |     |        |      |        |     |        |      |        |      |        |     |        |      |        |      |        |      |        |     |        |      |        |      |        |      |        |      |        |      |        |     |        |      |        |      |        |      |        |      |        |     |        |     |
| 7.7           | 209        | 110.01   | 2.7                    |             |         | 7.0           | 232        | 199.70   | 2.4                    |             |         | F 57    | 4    | 7.6     | 213  |         |      | 183.60  | 2.6  |          |      | 8.8     | 183  |          |      | 157.09  | 3.1  |          |      |         |      | 10       | 158  |         |      | 136.16   | 3.6  | 11      | 148  | 127.27  | 3.8  | 4.5     | 360  | 189.39  | 1.0  | F 47    | 6    | 4.9     | 331  |         |      | 174.13  | 1.1  | 5.7     | 283  |         |      | 148.98  | 1.3  |         |      | 6.6     | 245  |         |      | 129.14  | 1.5  | 7.0     | 229  | 120.70  | 2.5  | 7.3     | 220  | 189.39  | 1.71 | F 47    | 4    | 8.0     | 202  |         |      | 174.13  | 1.86 |         |      |        |      |         |      | 9.3     | 173  | 148.98  | 2.2  | 11      | 150  | 129.14  | 2.5  | 12      | 140  | 120.70  | 2.7  |         |      |         |      |         |      |         |      |         |      |         |      |         |      |         |      |         |      |         |      |         |      |         |      |         |      |         |      |         |      |         |      |         |      |         |      |         |      |         |      |         |      |        |      |         |      |         |      |        |      |         |      |         |      |         |      |        |      |        |      |         |      |         |      |        |      |        |      |         |      |         |      |        |      |        |      |         |      |         |      |        |      |        |      |         |      |         |      |         |      |         |      |         |      |         |      |         |      |         |      |         |      |         |      |         |      |         |      |         |      |        |      |         |      |        |      |         |      |        |      |        |      |        |      |        |      |        |      |        |      |        |      |        |      |        |      |         |      |        |      |         |      |        |      |         |      |        |      |         |      |         |      |         |      |        |      |        |      |        |      |         |      |         |      |        |      |         |      |        |      |        |      |        |      |         |      |         |      |        |      |        |      |        |      |        |      |         |      |        |      |         |      |         |      |         |      |         |      |        |      |         |      |        |      |        |      |        |      |        |      |        |      |         |      |        |      |        |      |        |      |        |      |        |      |        |      |        |      |        |      |        |      |        |      |        |     |        |      |        |      |        |     |        |      |        |      |        |      |        |      |        |      |        |      |        |      |        |      |        |      |        |      |        |      |        |      |        |      |        |     |        |      |        |      |        |      |        |      |        |      |        |     |        |      |        |      |        |      |        |      |        |      |        |      |        |      |        |      |        |      |        |      |        |     |        |     |        |      |        |     |        |      |        |      |        |     |        |     |        |     |        |     |        |     |        |     |        |     |        |     |        |      |        |     |        |     |        |      |        |      |        |     |        |      |        |     |        |      |        |      |        |     |        |      |        |      |        |      |        |     |        |      |        |      |        |      |        |      |        |      |        |     |        |      |        |      |        |      |        |      |        |     |        |     |
| 7.0           | 232        | 199.70   | 2.4                    |             |         | F 57          | 4          |          |                        |             |         |         |      |         |      |         |      |         |      |          |      |         |      |          |      |         |      |          |      |         |      |          |      |         |      |          |      |         |      |         |      |         |      |         |      |         |      |         |      |         |      |         |      |         |      |         |      |         |      |         |      |         |      |         |      |         |      |         |      |         |      |         |      |         |      |         |      |         |      |         |      |         |      |         |      |        |      |         |      |         |      |         |      |         |      |         |      |         |      |         |      |         |      |         |      |         |      |         |      |         |      |         |      |         |      |         |      |         |      |         |      |         |      |         |      |         |      |         |      |         |      |         |      |         |      |         |      |         |      |         |      |         |      |        |      |         |      |         |      |        |      |         |      |         |      |         |      |        |      |        |      |         |      |         |      |        |      |        |      |         |      |         |      |        |      |        |      |         |      |         |      |        |      |        |      |         |      |         |      |         |      |         |      |         |      |         |      |         |      |         |      |         |      |         |      |         |      |         |      |         |      |        |      |         |      |        |      |         |      |        |      |        |      |        |      |        |      |        |      |        |      |        |      |        |      |        |      |         |      |        |      |         |      |        |      |         |      |        |      |         |      |         |      |         |      |        |      |        |      |        |      |         |      |         |      |        |      |         |      |        |      |        |      |        |      |         |      |         |      |        |      |        |      |        |      |        |      |         |      |        |      |         |      |         |      |         |      |         |      |        |      |         |      |        |      |        |      |        |      |        |      |        |      |         |      |        |      |        |      |        |      |        |      |        |      |        |      |        |      |        |      |        |      |        |      |        |     |        |      |        |      |        |     |        |      |        |      |        |      |        |      |        |      |        |      |        |      |        |      |        |      |        |      |        |      |        |      |        |      |        |     |        |      |        |      |        |      |        |      |        |      |        |     |        |      |        |      |        |      |        |      |        |      |        |      |        |      |        |      |        |      |        |      |        |     |        |     |        |      |        |     |        |      |        |      |        |     |        |     |        |     |        |     |        |     |        |     |        |     |        |     |        |      |        |     |        |     |        |      |        |      |        |     |        |      |        |     |        |      |        |      |        |     |        |      |        |      |        |      |        |     |        |      |        |      |        |      |        |      |        |      |        |     |        |      |        |      |        |      |        |      |        |     |        |     |
| 7.6           | 213        | 183.60   | 2.6                    |             |         |               |            | 8.8      | 183                    |             |         |         |      | 157.09  | 3.1  |         |      | 10      | 158  |          |      | 136.16  | 3.6  | 11       | 148  | 127.27  | 3.8  | 4.5      | 360  | 189.39  | 1.0  | F 47     | 6    | 4.9     | 331  | 174.13   | 1.1  | 5.7     | 283  | 148.98  | 1.3  | 6.6     | 245  | 129.14  | 1.5  |         |      | 7.0     | 229  |         |      | 120.70  | 2.5  | 7.3     | 220  |         |      | 189.39  | 1.71 |         |      | F 47    | 4    | 8.0     | 202  | 174.13  | 1.86 | 9.3     | 173  | 148.98  | 2.2  | 11      | 150  | 129.14  | 2.5  |         |      | 12      | 140  |         |      | 120.70  | 2.7  |         |      |        |      |         |      |         |      |         |      |         |      |         |      |         |      |         |      |         |      |         |      |         |      |         |      |         |      |         |      |         |      |         |      |         |      |         |      |         |      |         |      |         |      |         |      |         |      |         |      |         |      |         |      |         |      |         |      |         |      |        |      |         |      |         |      |        |      |         |      |         |      |         |      |        |      |        |      |         |      |         |      |        |      |        |      |         |      |         |      |        |      |        |      |         |      |         |      |        |      |        |      |         |      |         |      |         |      |         |      |         |      |         |      |         |      |         |      |         |      |         |      |         |      |         |      |         |      |        |      |         |      |        |      |         |      |        |      |        |      |        |      |        |      |        |      |        |      |        |      |        |      |        |      |         |      |        |      |         |      |        |      |         |      |        |      |         |      |         |      |         |      |        |      |        |      |        |      |         |      |         |      |        |      |         |      |        |      |        |      |        |      |         |      |         |      |        |      |        |      |        |      |        |      |         |      |        |      |         |      |         |      |         |      |         |      |        |      |         |      |        |      |        |      |        |      |        |      |        |      |         |      |        |      |        |      |        |      |        |      |        |      |        |      |        |      |        |      |        |      |        |      |        |     |        |      |        |      |        |     |        |      |        |      |        |      |        |      |        |      |        |      |        |      |        |      |        |      |        |      |        |      |        |      |        |      |        |     |        |      |        |      |        |      |        |      |        |      |        |     |        |      |        |      |        |      |        |      |        |      |        |      |        |      |        |      |        |      |        |      |        |     |        |     |        |      |        |     |        |      |        |      |        |     |        |     |        |     |        |     |        |     |        |     |        |     |        |     |        |      |        |     |        |     |        |      |        |      |        |     |        |      |        |     |        |      |        |      |        |     |        |      |        |      |        |      |        |     |        |      |        |      |        |      |        |      |        |      |        |     |        |      |        |      |        |      |        |      |        |     |        |     |
| 8.8           | 183        | 157.09   | 3.1                    |             |         |               |            | 10       | 158                    |             |         |         |      | 136.16  | 3.6  |         |      | 11      | 148  | 127.27   | 3.8  | 4.5     | 360  | 189.39   | 1.0  | F 47    | 6    | 4.9      | 331  | 174.13  | 1.1  |          |      | 5.7     | 283  | 148.98   | 1.3  | 6.6     | 245  | 129.14  | 1.5  | 7.0     | 229  | 120.70  | 2.5  |         |      | 7.3     | 220  |         |      | 189.39  | 1.71 | F 47    | 4    |         |      | 8.0     | 202  | 174.13  | 1.86 |         |      | 9.3     | 173  | 148.98  | 2.2  | 11      | 150  | 129.14  | 2.5  | 12      | 140  | 120.70  | 2.7  |         |      |         |      |         |      |         |      |         |      |        |      |         |      |         |      |         |      |         |      |         |      |         |      |         |      |         |      |         |      |         |      |         |      |         |      |         |      |         |      |         |      |         |      |         |      |         |      |         |      |         |      |         |      |         |      |         |      |         |      |         |      |         |      |         |      |         |      |        |      |         |      |         |      |        |      |         |      |         |      |         |      |        |      |        |      |         |      |         |      |        |      |        |      |         |      |         |      |        |      |        |      |         |      |         |      |        |      |        |      |         |      |         |      |         |      |         |      |         |      |         |      |         |      |         |      |         |      |         |      |         |      |         |      |         |      |        |      |         |      |        |      |         |      |        |      |        |      |        |      |        |      |        |      |        |      |        |      |        |      |        |      |         |      |        |      |         |      |        |      |         |      |        |      |         |      |         |      |         |      |        |      |        |      |        |      |         |      |         |      |        |      |         |      |        |      |        |      |        |      |         |      |         |      |        |      |        |      |        |      |        |      |         |      |        |      |         |      |         |      |         |      |         |      |        |      |         |      |        |      |        |      |        |      |        |      |        |      |         |      |        |      |        |      |        |      |        |      |        |      |        |      |        |      |        |      |        |      |        |      |        |     |        |      |        |      |        |     |        |      |        |      |        |      |        |      |        |      |        |      |        |      |        |      |        |      |        |      |        |      |        |      |        |      |        |     |        |      |        |      |        |      |        |      |        |      |        |     |        |      |        |      |        |      |        |      |        |      |        |      |        |      |        |      |        |      |        |      |        |     |        |     |        |      |        |     |        |      |        |      |        |     |        |     |        |     |        |     |        |     |        |     |        |     |        |     |        |      |        |     |        |     |        |      |        |      |        |     |        |      |        |     |        |      |        |      |        |     |        |      |        |      |        |      |        |     |        |      |        |      |        |      |        |      |        |      |        |     |        |      |        |      |        |      |        |      |        |     |        |     |
| 10            | 158        | 136.16   | 3.6                    |             |         |               |            | 11       | 148                    |             |         |         |      | 127.27  | 3.8  | 4.5     | 360  | 189.39  | 1.0  | F 47     | 6    | 4.9     | 331  | 174.13   | 1.1  |         |      | 5.7      | 283  | 148.98  | 1.3  |          |      | 6.6     | 245  | 129.14   | 1.5  | 7.0     | 229  | 120.70  | 2.5  | 7.3     | 220  | 189.39  | 1.71 |         |      | F 47    | 4    |         |      | 8.0     | 202  |         |      | 174.13  | 1.86 | 9.3     | 173  | 148.98  | 2.2  |         |      | 11      | 150  | 129.14  | 2.5  | 12      | 140  | 120.70  | 2.7  |         |      |         |      |         |      |         |      |         |      |         |      |         |      |        |      |         |      |         |      |         |      |         |      |         |      |         |      |         |      |         |      |         |      |         |      |         |      |         |      |         |      |         |      |         |      |         |      |         |      |         |      |         |      |         |      |         |      |         |      |         |      |         |      |         |      |         |      |         |      |         |      |        |      |         |      |         |      |        |      |         |      |         |      |         |      |        |      |        |      |         |      |         |      |        |      |        |      |         |      |         |      |        |      |        |      |         |      |         |      |        |      |        |      |         |      |         |      |         |      |         |      |         |      |         |      |         |      |         |      |         |      |         |      |         |      |         |      |         |      |        |      |         |      |        |      |         |      |        |      |        |      |        |      |        |      |        |      |        |      |        |      |        |      |        |      |         |      |        |      |         |      |        |      |         |      |        |      |         |      |         |      |         |      |        |      |        |      |        |      |         |      |         |      |        |      |         |      |        |      |        |      |        |      |         |      |         |      |        |      |        |      |        |      |        |      |         |      |        |      |         |      |         |      |         |      |         |      |        |      |         |      |        |      |        |      |        |      |        |      |        |      |         |      |        |      |        |      |        |      |        |      |        |      |        |      |        |      |        |      |        |      |        |      |        |     |        |      |        |      |        |     |        |      |        |      |        |      |        |      |        |      |        |      |        |      |        |      |        |      |        |      |        |      |        |      |        |      |        |     |        |      |        |      |        |      |        |      |        |      |        |     |        |      |        |      |        |      |        |      |        |      |        |      |        |      |        |      |        |      |        |      |        |     |        |     |        |      |        |     |        |      |        |      |        |     |        |     |        |     |        |     |        |     |        |     |        |     |        |     |        |      |        |     |        |     |        |      |        |      |        |     |        |      |        |     |        |      |        |      |        |     |        |      |        |      |        |      |        |     |        |      |        |      |        |      |        |      |        |      |        |     |        |      |        |      |        |      |        |      |        |     |        |     |
| 11            | 148        | 127.27   | 3.8                    |             |         |               |            | 4.5      | 360                    | 189.39      | 1.0     | F 47    | 6    | 4.9     | 331  | 174.13  | 1.1  | 5.7     | 283  |          |      | 148.98  | 1.3  | 6.6      | 245  |         |      | 129.14   | 1.5  | 7.0     | 229  |          |      | 120.70  | 2.5  | 7.3      | 220  | 189.39  | 1.71 | F 47    | 4    | 8.0     | 202  | 174.13  | 1.86 |         |      |         |      | 9.3     | 173  | 148.98  | 2.2  |         |      | 11      | 150  | 129.14  | 2.5  | 12      | 140  |         |      | 120.70  | 2.7  |         |      |         |      |         |      |         |      |         |      |         |      |         |      |         |      |         |      |         |      |        |      |         |      |         |      |         |      |         |      |         |      |         |      |         |      |         |      |         |      |         |      |         |      |         |      |         |      |         |      |         |      |         |      |         |      |         |      |         |      |         |      |         |      |         |      |         |      |         |      |         |      |         |      |         |      |         |      |        |      |         |      |         |      |        |      |         |      |         |      |         |      |        |      |        |      |         |      |         |      |        |      |        |      |         |      |         |      |        |      |        |      |         |      |         |      |        |      |        |      |         |      |         |      |         |      |         |      |         |      |         |      |         |      |         |      |         |      |         |      |         |      |         |      |         |      |        |      |         |      |        |      |         |      |        |      |        |      |        |      |        |      |        |      |        |      |        |      |        |      |        |      |         |      |        |      |         |      |        |      |         |      |        |      |         |      |         |      |         |      |        |      |        |      |        |      |         |      |         |      |        |      |         |      |        |      |        |      |        |      |         |      |         |      |        |      |        |      |        |      |        |      |         |      |        |      |         |      |         |      |         |      |         |      |        |      |         |      |        |      |        |      |        |      |        |      |        |      |         |      |        |      |        |      |        |      |        |      |        |      |        |      |        |      |        |      |        |      |        |      |        |     |        |      |        |      |        |     |        |      |        |      |        |      |        |      |        |      |        |      |        |      |        |      |        |      |        |      |        |      |        |      |        |      |        |     |        |      |        |      |        |      |        |      |        |      |        |     |        |      |        |      |        |      |        |      |        |      |        |      |        |      |        |      |        |      |        |      |        |     |        |     |        |      |        |     |        |      |        |      |        |     |        |     |        |     |        |     |        |     |        |     |        |     |        |     |        |      |        |     |        |     |        |      |        |      |        |     |        |      |        |     |        |      |        |      |        |     |        |      |        |      |        |      |        |     |        |      |        |      |        |      |        |      |        |      |        |     |        |      |        |      |        |      |        |      |        |     |        |     |
| 4.5           | 360        | 189.39   | 1.0                    | F 47        | 6       |               |            |          |                        |             |         |         |      |         |      |         |      |         |      |          |      |         |      |          |      |         |      |          |      |         |      |          |      |         |      |          |      |         |      |         |      |         |      |         |      |         |      |         |      |         |      |         |      |         |      |         |      |         |      |         |      |         |      |         |      |         |      |         |      |         |      |         |      |         |      |         |      |         |      |         |      |         |      |         |      |        |      |         |      |         |      |         |      |         |      |         |      |         |      |         |      |         |      |         |      |         |      |         |      |         |      |         |      |         |      |         |      |         |      |         |      |         |      |         |      |         |      |         |      |         |      |         |      |         |      |         |      |         |      |         |      |         |      |        |      |         |      |         |      |        |      |         |      |         |      |         |      |        |      |        |      |         |      |         |      |        |      |        |      |         |      |         |      |        |      |        |      |         |      |         |      |        |      |        |      |         |      |         |      |         |      |         |      |         |      |         |      |         |      |         |      |         |      |         |      |         |      |         |      |         |      |        |      |         |      |        |      |         |      |        |      |        |      |        |      |        |      |        |      |        |      |        |      |        |      |        |      |         |      |        |      |         |      |        |      |         |      |        |      |         |      |         |      |         |      |        |      |        |      |        |      |         |      |         |      |        |      |         |      |        |      |        |      |        |      |         |      |         |      |        |      |        |      |        |      |        |      |         |      |        |      |         |      |         |      |         |      |         |      |        |      |         |      |        |      |        |      |        |      |        |      |        |      |         |      |        |      |        |      |        |      |        |      |        |      |        |      |        |      |        |      |        |      |        |      |        |     |        |      |        |      |        |     |        |      |        |      |        |      |        |      |        |      |        |      |        |      |        |      |        |      |        |      |        |      |        |      |        |      |        |     |        |      |        |      |        |      |        |      |        |      |        |     |        |      |        |      |        |      |        |      |        |      |        |      |        |      |        |      |        |      |        |      |        |     |        |     |        |      |        |     |        |      |        |      |        |     |        |     |        |     |        |     |        |     |        |     |        |     |        |     |        |      |        |     |        |     |        |      |        |      |        |     |        |      |        |     |        |      |        |      |        |     |        |      |        |      |        |      |        |     |        |      |        |      |        |      |        |      |        |      |        |     |        |      |        |      |        |      |        |      |        |     |        |     |
| 4.9           | 331        | 174.13   | 1.1                    |             |         | 5.7           | 283        | 148.98   | 1.3                    | 6.6         | 245     |         |      | 129.14  | 1.5  | 7.0     | 229  | 120.70  | 2.5  |          |      | 7.3     | 220  | 189.39   | 1.71 |         |      | F 47     | 4    | 8.0     | 202  |          |      | 174.13  | 1.86 | 9.3      | 173  | 148.98  | 2.2  |         |      | 11      | 150  | 129.14  | 2.5  | 12      | 140  |         |      | 120.70  | 2.7  |         |      |         |      |         |      |         |      |         |      |         |      |         |      |         |      |         |      |         |      |         |      |         |      |         |      |         |      |         |      |         |      |         |      |        |      |         |      |         |      |         |      |         |      |         |      |         |      |         |      |         |      |         |      |         |      |         |      |         |      |         |      |         |      |         |      |         |      |         |      |         |      |         |      |         |      |         |      |         |      |         |      |         |      |         |      |         |      |         |      |         |      |        |      |         |      |         |      |        |      |         |      |         |      |         |      |        |      |        |      |         |      |         |      |        |      |        |      |         |      |         |      |        |      |        |      |         |      |         |      |        |      |        |      |         |      |         |      |         |      |         |      |         |      |         |      |         |      |         |      |         |      |         |      |         |      |         |      |         |      |        |      |         |      |        |      |         |      |        |      |        |      |        |      |        |      |        |      |        |      |        |      |        |      |        |      |         |      |        |      |         |      |        |      |         |      |        |      |         |      |         |      |         |      |        |      |        |      |        |      |         |      |         |      |        |      |         |      |        |      |        |      |        |      |         |      |         |      |        |      |        |      |        |      |        |      |         |      |        |      |         |      |         |      |         |      |         |      |        |      |         |      |        |      |        |      |        |      |        |      |        |      |         |      |        |      |        |      |        |      |        |      |        |      |        |      |        |      |        |      |        |      |        |      |        |     |        |      |        |      |        |     |        |      |        |      |        |      |        |      |        |      |        |      |        |      |        |      |        |      |        |      |        |      |        |      |        |      |        |     |        |      |        |      |        |      |        |      |        |      |        |     |        |      |        |      |        |      |        |      |        |      |        |      |        |      |        |      |        |      |        |      |        |     |        |     |        |      |        |     |        |      |        |      |        |     |        |     |        |     |        |     |        |     |        |     |        |     |        |     |        |      |        |     |        |     |        |      |        |      |        |     |        |      |        |     |        |      |        |      |        |     |        |      |        |      |        |      |        |     |        |      |        |      |        |      |        |      |        |      |        |     |        |      |        |      |        |      |        |      |        |     |        |     |
| 5.7           | 283        | 148.98   | 1.3                    |             |         | 6.6           | 245        | 129.14   | 1.5                    | 7.0         | 229     |         |      | 120.70  | 2.5  | 7.3     | 220  | 189.39  | 1.71 |          |      | F 47    | 4    | 8.0      | 202  |         |      |          |      | 174.13  | 1.86 | 9.3      | 173  | 148.98  | 2.2  | 11       | 150  | 129.14  | 2.5  |         |      | 12      | 140  | 120.70  | 2.7  |         |      |         |      |         |      |         |      |         |      |         |      |         |      |         |      |         |      |         |      |         |      |         |      |         |      |         |      |         |      |         |      |         |      |         |      |         |      |         |      |        |      |         |      |         |      |         |      |         |      |         |      |         |      |         |      |         |      |         |      |         |      |         |      |         |      |         |      |         |      |         |      |         |      |         |      |         |      |         |      |         |      |         |      |         |      |         |      |         |      |         |      |         |      |         |      |         |      |        |      |         |      |         |      |        |      |         |      |         |      |         |      |        |      |        |      |         |      |         |      |        |      |        |      |         |      |         |      |        |      |        |      |         |      |         |      |        |      |        |      |         |      |         |      |         |      |         |      |         |      |         |      |         |      |         |      |         |      |         |      |         |      |         |      |         |      |        |      |         |      |        |      |         |      |        |      |        |      |        |      |        |      |        |      |        |      |        |      |        |      |        |      |         |      |        |      |         |      |        |      |         |      |        |      |         |      |         |      |         |      |        |      |        |      |        |      |         |      |         |      |        |      |         |      |        |      |        |      |        |      |         |      |         |      |        |      |        |      |        |      |        |      |         |      |        |      |         |      |         |      |         |      |         |      |        |      |         |      |        |      |        |      |        |      |        |      |        |      |         |      |        |      |        |      |        |      |        |      |        |      |        |      |        |      |        |      |        |      |        |      |        |     |        |      |        |      |        |     |        |      |        |      |        |      |        |      |        |      |        |      |        |      |        |      |        |      |        |      |        |      |        |      |        |      |        |     |        |      |        |      |        |      |        |      |        |      |        |     |        |      |        |      |        |      |        |      |        |      |        |      |        |      |        |      |        |      |        |      |        |     |        |     |        |      |        |     |        |      |        |      |        |     |        |     |        |     |        |     |        |     |        |     |        |     |        |     |        |      |        |     |        |     |        |      |        |      |        |     |        |      |        |     |        |      |        |      |        |     |        |      |        |      |        |      |        |     |        |      |        |      |        |      |        |      |        |      |        |     |        |      |        |      |        |      |        |      |        |     |        |     |
| 6.6           | 245        | 129.14   | 1.5                    |             |         | 7.0           | 229        | 120.70   | 2.5                    | 7.3         | 220     |         |      | 189.39  | 1.71 | F 47    | 4    | 8.0     | 202  |          |      |         |      | 174.13   | 1.86 | 9.3     | 173  |          |      | 148.98  | 2.2  | 11       | 150  | 129.14  | 2.5  | 12       | 140  | 120.70  | 2.7  |         |      |         |      |         |      |         |      |         |      |         |      |         |      |         |      |         |      |         |      |         |      |         |      |         |      |         |      |         |      |         |      |         |      |         |      |         |      |         |      |         |      |         |      |         |      |        |      |         |      |         |      |         |      |         |      |         |      |         |      |         |      |         |      |         |      |         |      |         |      |         |      |         |      |         |      |         |      |         |      |         |      |         |      |         |      |         |      |         |      |         |      |         |      |         |      |         |      |         |      |         |      |         |      |        |      |         |      |         |      |        |      |         |      |         |      |         |      |        |      |        |      |         |      |         |      |        |      |        |      |         |      |         |      |        |      |        |      |         |      |         |      |        |      |        |      |         |      |         |      |         |      |         |      |         |      |         |      |         |      |         |      |         |      |         |      |         |      |         |      |         |      |        |      |         |      |        |      |         |      |        |      |        |      |        |      |        |      |        |      |        |      |        |      |        |      |        |      |         |      |        |      |         |      |        |      |         |      |        |      |         |      |         |      |         |      |        |      |        |      |        |      |         |      |         |      |        |      |         |      |        |      |        |      |        |      |         |      |         |      |        |      |        |      |        |      |        |      |         |      |        |      |         |      |         |      |         |      |         |      |        |      |         |      |        |      |        |      |        |      |        |      |        |      |         |      |        |      |        |      |        |      |        |      |        |      |        |      |        |      |        |      |        |      |        |      |        |     |        |      |        |      |        |     |        |      |        |      |        |      |        |      |        |      |        |      |        |      |        |      |        |      |        |      |        |      |        |      |        |      |        |     |        |      |        |      |        |      |        |      |        |      |        |     |        |      |        |      |        |      |        |      |        |      |        |      |        |      |        |      |        |      |        |      |        |     |        |     |        |      |        |     |        |      |        |      |        |     |        |     |        |     |        |     |        |     |        |     |        |     |        |     |        |      |        |     |        |     |        |      |        |      |        |     |        |      |        |     |        |      |        |      |        |     |        |      |        |      |        |      |        |     |        |      |        |      |        |      |        |      |        |      |        |     |        |      |        |      |        |      |        |      |        |     |        |     |
| 7.0           | 229        | 120.70   | 2.5                    |             |         | 7.3           | 220        | 189.39   | 1.71                   | F 47        | 4       |         |      | 8.0     | 202  |         |      | 174.13  | 1.86 | 9.3      | 173  |         |      | 148.98   | 2.2  | 11      | 150  |          |      | 129.14  | 2.5  | 12       | 140  | 120.70  | 2.7  |          |      |         |      |         |      |         |      |         |      |         |      |         |      |         |      |         |      |         |      |         |      |         |      |         |      |         |      |         |      |         |      |         |      |         |      |         |      |         |      |         |      |         |      |         |      |         |      |         |      |        |      |         |      |         |      |         |      |         |      |         |      |         |      |         |      |         |      |         |      |         |      |         |      |         |      |         |      |         |      |         |      |         |      |         |      |         |      |         |      |         |      |         |      |         |      |         |      |         |      |         |      |         |      |         |      |         |      |        |      |         |      |         |      |        |      |         |      |         |      |         |      |        |      |        |      |         |      |         |      |        |      |        |      |         |      |         |      |        |      |        |      |         |      |         |      |        |      |        |      |         |      |         |      |         |      |         |      |         |      |         |      |         |      |         |      |         |      |         |      |         |      |         |      |         |      |        |      |         |      |        |      |         |      |        |      |        |      |        |      |        |      |        |      |        |      |        |      |        |      |        |      |         |      |        |      |         |      |        |      |         |      |        |      |         |      |         |      |         |      |        |      |        |      |        |      |         |      |         |      |        |      |         |      |        |      |        |      |        |      |         |      |         |      |        |      |        |      |        |      |        |      |         |      |        |      |         |      |         |      |         |      |         |      |        |      |         |      |        |      |        |      |        |      |        |      |        |      |         |      |        |      |        |      |        |      |        |      |        |      |        |      |        |      |        |      |        |      |        |      |        |     |        |      |        |      |        |     |        |      |        |      |        |      |        |      |        |      |        |      |        |      |        |      |        |      |        |      |        |      |        |      |        |      |        |     |        |      |        |      |        |      |        |      |        |      |        |     |        |      |        |      |        |      |        |      |        |      |        |      |        |      |        |      |        |      |        |      |        |     |        |     |        |      |        |     |        |      |        |      |        |     |        |     |        |     |        |     |        |     |        |     |        |     |        |     |        |      |        |     |        |     |        |      |        |      |        |     |        |      |        |     |        |      |        |      |        |     |        |      |        |      |        |      |        |     |        |      |        |      |        |      |        |      |        |      |        |     |        |      |        |      |        |      |        |      |        |     |        |     |
| 7.3           | 220        | 189.39   | 1.71                   |             |         | F 47          | 4          |          |                        |             |         |         |      |         |      |         |      |         |      |          |      |         |      |          |      |         |      |          |      |         |      |          |      |         |      |          |      |         |      |         |      |         |      |         |      |         |      |         |      |         |      |         |      |         |      |         |      |         |      |         |      |         |      |         |      |         |      |         |      |         |      |         |      |         |      |         |      |         |      |         |      |         |      |         |      |        |      |         |      |         |      |         |      |         |      |         |      |         |      |         |      |         |      |         |      |         |      |         |      |         |      |         |      |         |      |         |      |         |      |         |      |         |      |         |      |         |      |         |      |         |      |         |      |         |      |         |      |         |      |         |      |         |      |        |      |         |      |         |      |        |      |         |      |         |      |         |      |        |      |        |      |         |      |         |      |        |      |        |      |         |      |         |      |        |      |        |      |         |      |         |      |        |      |        |      |         |      |         |      |         |      |         |      |         |      |         |      |         |      |         |      |         |      |         |      |         |      |         |      |         |      |        |      |         |      |        |      |         |      |        |      |        |      |        |      |        |      |        |      |        |      |        |      |        |      |        |      |         |      |        |      |         |      |        |      |         |      |        |      |         |      |         |      |         |      |        |      |        |      |        |      |         |      |         |      |        |      |         |      |        |      |        |      |        |      |         |      |         |      |        |      |        |      |        |      |        |      |         |      |        |      |         |      |         |      |         |      |         |      |        |      |         |      |        |      |        |      |        |      |        |      |        |      |         |      |        |      |        |      |        |      |        |      |        |      |        |      |        |      |        |      |        |      |        |      |        |     |        |      |        |      |        |     |        |      |        |      |        |      |        |      |        |      |        |      |        |      |        |      |        |      |        |      |        |      |        |      |        |      |        |     |        |      |        |      |        |      |        |      |        |      |        |     |        |      |        |      |        |      |        |      |        |      |        |      |        |      |        |      |        |      |        |      |        |     |        |     |        |      |        |     |        |      |        |      |        |     |        |     |        |     |        |     |        |     |        |     |        |     |        |     |        |      |        |     |        |     |        |      |        |      |        |     |        |      |        |     |        |      |        |      |        |     |        |      |        |      |        |      |        |     |        |      |        |      |        |      |        |      |        |      |        |     |        |      |        |      |        |      |        |      |        |     |        |     |
| 8.0           | 202        | 174.13   | 1.86                   | 9.3         | 173     |               |            | 148.98   | 2.2                    |             |         | 11      | 150  | 129.14  | 2.5  |         |      | 12      | 140  | 120.70   | 2.7  |         |      |          |      |         |      |          |      |         |      |          |      |         |      |          |      |         |      |         |      |         |      |         |      |         |      |         |      |         |      |         |      |         |      |         |      |         |      |         |      |         |      |         |      |         |      |         |      |         |      |         |      |         |      |         |      |         |      |         |      |         |      |         |      |        |      |         |      |         |      |         |      |         |      |         |      |         |      |         |      |         |      |         |      |         |      |         |      |         |      |         |      |         |      |         |      |         |      |         |      |         |      |         |      |         |      |         |      |         |      |         |      |         |      |         |      |         |      |         |      |         |      |        |      |         |      |         |      |        |      |         |      |         |      |         |      |        |      |        |      |         |      |         |      |        |      |        |      |         |      |         |      |        |      |        |      |         |      |         |      |        |      |        |      |         |      |         |      |         |      |         |      |         |      |         |      |         |      |         |      |         |      |         |      |         |      |         |      |         |      |        |      |         |      |        |      |         |      |        |      |        |      |        |      |        |      |        |      |        |      |        |      |        |      |        |      |         |      |        |      |         |      |        |      |         |      |        |      |         |      |         |      |         |      |        |      |        |      |        |      |         |      |         |      |        |      |         |      |        |      |        |      |        |      |         |      |         |      |        |      |        |      |        |      |        |      |         |      |        |      |         |      |         |      |         |      |         |      |        |      |         |      |        |      |        |      |        |      |        |      |        |      |         |      |        |      |        |      |        |      |        |      |        |      |        |      |        |      |        |      |        |      |        |      |        |     |        |      |        |      |        |     |        |      |        |      |        |      |        |      |        |      |        |      |        |      |        |      |        |      |        |      |        |      |        |      |        |      |        |     |        |      |        |      |        |      |        |      |        |      |        |     |        |      |        |      |        |      |        |      |        |      |        |      |        |      |        |      |        |      |        |      |        |     |        |     |        |      |        |     |        |      |        |      |        |     |        |     |        |     |        |     |        |     |        |     |        |     |        |     |        |      |        |     |        |     |        |      |        |      |        |     |        |      |        |     |        |      |        |      |        |     |        |      |        |      |        |      |        |     |        |      |        |      |        |      |        |      |        |      |        |     |        |      |        |      |        |      |        |      |        |     |        |     |
| 9.3           | 173        | 148.98   | 2.2                    | 11          | 150     |               |            | 129.14   | 2.5                    |             |         | 12      | 140  | 120.70  | 2.7  |         |      |         |      |          |      |         |      |          |      |         |      |          |      |         |      |          |      |         |      |          |      |         |      |         |      |         |      |         |      |         |      |         |      |         |      |         |      |         |      |         |      |         |      |         |      |         |      |         |      |         |      |         |      |         |      |         |      |         |      |         |      |         |      |         |      |         |      |         |      |        |      |         |      |         |      |         |      |         |      |         |      |         |      |         |      |         |      |         |      |         |      |         |      |         |      |         |      |         |      |         |      |         |      |         |      |         |      |         |      |         |      |         |      |         |      |         |      |         |      |         |      |         |      |         |      |         |      |        |      |         |      |         |      |        |      |         |      |         |      |         |      |        |      |        |      |         |      |         |      |        |      |        |      |         |      |         |      |        |      |        |      |         |      |         |      |        |      |        |      |         |      |         |      |         |      |         |      |         |      |         |      |         |      |         |      |         |      |         |      |         |      |         |      |         |      |        |      |         |      |        |      |         |      |        |      |        |      |        |      |        |      |        |      |        |      |        |      |        |      |        |      |         |      |        |      |         |      |        |      |         |      |        |      |         |      |         |      |         |      |        |      |        |      |        |      |         |      |         |      |        |      |         |      |        |      |        |      |        |      |         |      |         |      |        |      |        |      |        |      |        |      |         |      |        |      |         |      |         |      |         |      |         |      |        |      |         |      |        |      |        |      |        |      |        |      |        |      |         |      |        |      |        |      |        |      |        |      |        |      |        |      |        |      |        |      |        |      |        |      |        |     |        |      |        |      |        |     |        |      |        |      |        |      |        |      |        |      |        |      |        |      |        |      |        |      |        |      |        |      |        |      |        |      |        |     |        |      |        |      |        |      |        |      |        |      |        |     |        |      |        |      |        |      |        |      |        |      |        |      |        |      |        |      |        |      |        |      |        |     |        |     |        |      |        |     |        |      |        |      |        |     |        |     |        |     |        |     |        |     |        |     |        |     |        |     |        |      |        |     |        |     |        |      |        |      |        |     |        |      |        |     |        |      |        |      |        |     |        |      |        |      |        |      |        |     |        |      |        |      |        |      |        |      |        |      |        |     |        |      |        |      |        |      |        |      |        |     |        |     |
| 11            | 150        | 129.14   | 2.5                    | 12          | 140     |               |            | 120.70   | 2.7                    |             |         |         |      |         |      |         |      |         |      |          |      |         |      |          |      |         |      |          |      |         |      |          |      |         |      |          |      |         |      |         |      |         |      |         |      |         |      |         |      |         |      |         |      |         |      |         |      |         |      |         |      |         |      |         |      |         |      |         |      |         |      |         |      |         |      |         |      |         |      |         |      |         |      |         |      |        |      |         |      |         |      |         |      |         |      |         |      |         |      |         |      |         |      |         |      |         |      |         |      |         |      |         |      |         |      |         |      |         |      |         |      |         |      |         |      |         |      |         |      |         |      |         |      |         |      |         |      |         |      |         |      |         |      |        |      |         |      |         |      |        |      |         |      |         |      |         |      |        |      |        |      |         |      |         |      |        |      |        |      |         |      |         |      |        |      |        |      |         |      |         |      |        |      |        |      |         |      |         |      |         |      |         |      |         |      |         |      |         |      |         |      |         |      |         |      |         |      |         |      |         |      |        |      |         |      |        |      |         |      |        |      |        |      |        |      |        |      |        |      |        |      |        |      |        |      |        |      |         |      |        |      |         |      |        |      |         |      |        |      |         |      |         |      |         |      |        |      |        |      |        |      |         |      |         |      |        |      |         |      |        |      |        |      |        |      |         |      |         |      |        |      |        |      |        |      |        |      |         |      |        |      |         |      |         |      |         |      |         |      |        |      |         |      |        |      |        |      |        |      |        |      |        |      |         |      |        |      |        |      |        |      |        |      |        |      |        |      |        |      |        |      |        |      |        |      |        |     |        |      |        |      |        |     |        |      |        |      |        |      |        |      |        |      |        |      |        |      |        |      |        |      |        |      |        |      |        |      |        |      |        |     |        |      |        |      |        |      |        |      |        |      |        |     |        |      |        |      |        |      |        |      |        |      |        |      |        |      |        |      |        |      |        |      |        |     |        |     |        |      |        |     |        |      |        |      |        |     |        |     |        |     |        |     |        |     |        |     |        |     |        |     |        |      |        |     |        |     |        |      |        |      |        |     |        |      |        |     |        |      |        |      |        |     |        |      |        |      |        |      |        |     |        |      |        |      |        |      |        |      |        |      |        |     |        |      |        |      |        |      |        |      |        |     |        |     |
| 12            | 140        | 120.70   | 2.7                    |             |         |               |            |          |                        |             |         |         |      |         |      |         |      |         |      |          |      |         |      |          |      |         |      |          |      |         |      |          |      |         |      |          |      |         |      |         |      |         |      |         |      |         |      |         |      |         |      |         |      |         |      |         |      |         |      |         |      |         |      |         |      |         |      |         |      |         |      |         |      |         |      |         |      |         |      |         |      |         |      |         |      |        |      |         |      |         |      |         |      |         |      |         |      |         |      |         |      |         |      |         |      |         |      |         |      |         |      |         |      |         |      |         |      |         |      |         |      |         |      |         |      |         |      |         |      |         |      |         |      |         |      |         |      |         |      |         |      |         |      |        |      |         |      |         |      |        |      |         |      |         |      |         |      |        |      |        |      |         |      |         |      |        |      |        |      |         |      |         |      |        |      |        |      |         |      |         |      |        |      |        |      |         |      |         |      |         |      |         |      |         |      |         |      |         |      |         |      |         |      |         |      |         |      |         |      |         |      |        |      |         |      |        |      |         |      |        |      |        |      |        |      |        |      |        |      |        |      |        |      |        |      |        |      |         |      |        |      |         |      |        |      |         |      |        |      |         |      |         |      |         |      |        |      |        |      |        |      |         |      |         |      |        |      |         |      |        |      |        |      |        |      |         |      |         |      |        |      |        |      |        |      |        |      |         |      |        |      |         |      |         |      |         |      |         |      |        |      |         |      |        |      |        |      |        |      |        |      |        |      |         |      |        |      |        |      |        |      |        |      |        |      |        |      |        |      |        |      |        |      |        |      |        |     |        |      |        |      |        |     |        |      |        |      |        |      |        |      |        |      |        |      |        |      |        |      |        |      |        |      |        |      |        |      |        |      |        |     |        |      |        |      |        |      |        |      |        |      |        |     |        |      |        |      |        |      |        |      |        |      |        |      |        |      |        |      |        |      |        |      |        |     |        |     |        |      |        |     |        |      |        |      |        |     |        |     |        |     |        |     |        |     |        |     |        |     |        |     |        |      |        |     |        |     |        |      |        |      |        |     |        |      |        |     |        |      |        |      |        |     |        |      |        |      |        |      |        |     |        |      |        |      |        |      |        |      |        |      |        |     |        |      |        |      |        |      |        |      |        |     |        |     |

减速机的外形安装尺寸在95页到101页里查找。The appearance of reducer installation dimensions in 95 to 101 page search page.



| 输出转速<br>r/min | 输出扭矩<br>Nm | 传动比<br>i | 使用系数<br>f <sub>B</sub> | 机型号<br>Type | 极数<br>p | 输出转速<br>r/min | 输出扭矩<br>Nm | 传动比<br>i | 使用系数<br>f <sub>B</sub> | 机型号<br>Type | 极数<br>p |          |       |          |      |          |       |          |      |          |       |          |      |          |       |          |      |          |       |          |      |          |       |          |      |          |       |          |      |          |       |          |      |          |       |          |      |          |       |          |      |          |       |          |      |          |       |          |      |          |       |          |      |          |       |          |      |          |       |          |      |          |       |          |      |          |       |          |      |          |       |          |      |          |       |          |      |          |       |          |      |          |       |          |      |          |       |          |      |          |       |          |      |          |       |          |      |          |       |          |      |          |       |          |      |          |       |          |      |          |       |          |      |          |       |          |      |          |       |          |      |          |       |          |      |          |       |          |      |          |       |          |      |          |       |          |      |          |       |          |      |          |       |          |      |          |       |          |      |          |       |          |      |          |       |          |      |          |       |          |      |          |       |          |      |          |       |          |      |          |       |          |      |          |       |          |      |          |       |          |      |          |       |          |      |          |       |          |      |          |       |          |      |          |       |          |      |          |       |          |      |          |       |          |      |          |       |          |      |          |       |          |      |          |       |          |      |          |       |          |      |          |       |          |      |          |       |          |      |          |       |          |      |          |       |          |      |          |       |          |      |          |       |          |      |          |       |          |      |          |       |          |      |          |       |          |      |          |       |          |      |          |       |          |      |          |       |          |      |          |       |          |      |          |       |          |      |          |       |          |      |          |       |          |      |          |       |          |      |          |       |          |      |          |       |          |      |          |       |          |      |          |       |          |       |          |       |          |       |          |      |          |       |          |      |          |       |          |      |          |       |          |      |          |       |          |       |          |       |          |       |          |      |          |       |          |      |          |       |          |      |          |       |          |      |          |       |          |      |          |      |          |      |          |      |          |      |          |      |          |      |          |      |          |      |          |      |          |      |          |      |          |      |          |      |          |      |          |      |          |      |          |      |          |      |          |      |          |      |          |      |          |      |          |      |          |      |          |      |          |      |          |      |          |      |          |      |          |      |          |      |          |      |          |      |          |      |          |      |          |      |         |      |          |      |         |      |          |      |          |      |          |      |          |      |          |      |          |      |          |      |          |      |         |      |          |      |         |     |          |      |          |     |          |      |          |     |          |   |          |   |         |   |          |   |         |   |      |   |         |   |      |   |  |   |      |   |  |  |  |   |
|---------------|------------|----------|------------------------|-------------|---------|---------------|------------|----------|------------------------|-------------|---------|----------|-------|----------|------|----------|-------|----------|------|----------|-------|----------|------|----------|-------|----------|------|----------|-------|----------|------|----------|-------|----------|------|----------|-------|----------|------|----------|-------|----------|------|----------|-------|----------|------|----------|-------|----------|------|----------|-------|----------|------|----------|-------|----------|------|----------|-------|----------|------|----------|-------|----------|------|----------|-------|----------|------|----------|-------|----------|------|----------|-------|----------|------|----------|-------|----------|------|----------|-------|----------|------|----------|-------|----------|------|----------|-------|----------|------|----------|-------|----------|------|----------|-------|----------|------|----------|-------|----------|------|----------|-------|----------|------|----------|-------|----------|------|----------|-------|----------|------|----------|-------|----------|------|----------|-------|----------|------|----------|-------|----------|------|----------|-------|----------|------|----------|-------|----------|------|----------|-------|----------|------|----------|-------|----------|------|----------|-------|----------|------|----------|-------|----------|------|----------|-------|----------|------|----------|-------|----------|------|----------|-------|----------|------|----------|-------|----------|------|----------|-------|----------|------|----------|-------|----------|------|----------|-------|----------|------|----------|-------|----------|------|----------|-------|----------|------|----------|-------|----------|------|----------|-------|----------|------|----------|-------|----------|------|----------|-------|----------|------|----------|-------|----------|------|----------|-------|----------|------|----------|-------|----------|------|----------|-------|----------|------|----------|-------|----------|------|----------|-------|----------|------|----------|-------|----------|------|----------|-------|----------|------|----------|-------|----------|------|----------|-------|----------|------|----------|-------|----------|------|----------|-------|----------|------|----------|-------|----------|------|----------|-------|----------|------|----------|-------|----------|------|----------|-------|----------|------|----------|-------|----------|------|----------|-------|----------|------|----------|-------|----------|------|----------|-------|----------|------|----------|-------|----------|------|----------|-------|----------|------|----------|-------|----------|------|----------|-------|----------|------|----------|-------|----------|------|----------|-------|----------|------|----------|-------|----------|-------|----------|-------|----------|-------|----------|------|----------|-------|----------|------|----------|-------|----------|------|----------|-------|----------|------|----------|-------|----------|-------|----------|-------|----------|-------|----------|------|----------|-------|----------|------|----------|-------|----------|------|----------|-------|----------|------|----------|-------|----------|------|----------|------|----------|------|----------|------|----------|------|----------|------|----------|------|----------|------|----------|------|----------|------|----------|------|----------|------|----------|------|----------|------|----------|------|----------|------|----------|------|----------|------|----------|------|----------|------|----------|------|----------|------|----------|------|----------|------|----------|------|----------|------|----------|------|----------|------|----------|------|----------|------|----------|------|----------|------|----------|------|----------|------|----------|------|----------|------|----------|------|---------|------|----------|------|---------|------|----------|------|----------|------|----------|------|----------|------|----------|------|----------|------|----------|------|----------|------|---------|------|----------|------|---------|-----|----------|------|----------|-----|----------|------|----------|-----|----------|---|----------|---|---------|---|----------|---|---------|---|------|---|---------|---|------|---|--|---|------|---|--|--|--|---|
| <b>0.18kW</b> |            |          |                        |             |         | <b>0.25kW</b> |            |          |                        |             |         |          |       |          |      |          |       |          |      |          |       |          |      |          |       |          |      |          |       |          |      |          |       |          |      |          |       |          |      |          |       |          |      |          |       |          |      |          |       |          |      |          |       |          |      |          |       |          |      |          |       |          |      |          |       |          |      |          |       |          |      |          |       |          |      |          |       |          |      |          |       |          |      |          |       |          |      |          |       |          |      |          |       |          |      |          |       |          |      |          |       |          |      |          |       |          |      |          |       |          |      |          |       |          |      |          |       |          |      |          |       |          |      |          |       |          |      |          |       |          |      |          |       |          |      |          |       |          |      |          |       |          |      |          |       |          |      |          |       |          |      |          |       |          |      |          |       |          |      |          |       |          |      |          |       |          |      |          |       |          |      |          |       |          |      |          |       |          |      |          |       |          |      |          |       |          |      |          |       |          |      |          |       |          |      |          |       |          |      |          |       |          |      |          |       |          |      |          |       |          |      |          |       |          |      |          |       |          |      |          |       |          |      |          |       |          |      |          |       |          |      |          |       |          |      |          |       |          |      |          |       |          |      |          |       |          |      |          |       |          |      |          |       |          |      |          |       |          |      |          |       |          |      |          |       |          |      |          |       |          |      |          |       |          |      |          |       |          |      |          |       |          |      |          |       |          |      |          |       |          |      |          |       |          |      |          |       |          |      |          |       |          |      |          |       |          |      |          |       |          |      |          |       |          |       |          |       |          |       |          |      |          |       |          |      |          |       |          |      |          |       |          |      |          |       |          |       |          |       |          |       |          |      |          |       |          |      |          |       |          |      |          |       |          |      |          |       |          |      |          |      |          |      |          |      |          |      |          |      |          |      |          |      |          |      |          |      |          |      |          |      |          |      |          |      |          |      |          |      |          |      |          |      |          |      |          |      |          |      |          |      |          |      |          |      |          |      |          |      |          |      |          |      |          |      |          |      |          |      |          |      |          |      |          |      |          |      |          |      |          |      |         |      |          |      |         |      |          |      |          |      |          |      |          |      |          |      |          |      |          |      |          |      |         |      |          |      |         |     |          |      |          |     |          |      |          |     |          |   |          |   |         |   |          |   |         |   |      |   |         |   |      |   |  |   |      |   |  |  |  |   |
| 7.2           | 224        | 117.88   | 0.84                   | F 37        | 6       | 0.72          | 2950       | 1930     | 1.0                    | F 87R57     | 4       |          |       |          |      |          |       |          |      |          |       |          |      |          |       |          |      |          |       |          |      |          |       |          |      |          |       |          |      |          |       |          |      |          |       |          |      |          |       |          |      |          |       |          |      |          |       |          |      |          |       |          |      |          |       |          |      |          |       |          |      |          |       |          |      |          |       |          |      |          |       |          |      |          |       |          |      |          |       |          |      |          |       |          |      |          |       |          |      |          |       |          |      |          |       |          |      |          |       |          |      |          |       |          |      |          |       |          |      |          |       |          |      |          |       |          |      |          |       |          |      |          |       |          |      |          |       |          |      |          |       |          |      |          |       |          |      |          |       |          |      |          |       |          |      |          |       |          |      |          |       |          |      |          |       |          |      |          |       |          |      |          |       |          |      |          |       |          |      |          |       |          |      |          |       |          |      |          |       |          |      |          |       |          |      |          |       |          |      |          |       |          |      |          |       |          |      |          |       |          |      |          |       |          |      |          |       |          |      |          |       |          |      |          |       |          |      |          |       |          |      |          |       |          |      |          |       |          |      |          |       |          |      |          |       |          |      |          |       |          |      |          |       |          |      |          |       |          |      |          |       |          |      |          |       |          |      |          |       |          |      |          |       |          |      |          |       |          |      |          |       |          |      |          |       |          |      |          |       |          |      |          |       |          |      |          |       |          |      |          |       |          |      |          |       |          |      |          |       |          |      |          |       |          |       |          |       |          |       |          |      |          |       |          |      |          |       |          |      |          |       |          |      |          |       |          |       |          |       |          |       |          |      |          |       |          |      |          |       |          |      |          |       |          |      |          |       |          |      |          |      |          |      |          |      |          |      |          |      |          |      |          |      |          |      |          |      |          |      |          |      |          |      |          |      |          |      |          |      |          |      |          |      |          |      |          |      |          |      |          |      |          |      |          |      |          |      |          |      |          |      |          |      |          |      |          |      |          |      |          |      |          |      |          |      |          |      |          |      |          |      |         |      |          |      |         |      |          |      |          |      |          |      |          |      |          |      |          |      |          |      |          |      |         |      |          |      |         |     |          |      |          |     |          |      |          |     |          |   |          |   |         |   |          |   |         |   |      |   |         |   |      |   |  |   |      |   |  |  |  |   |
| 8.5           | 191        | 100.36   | 0.99                   |             |         | 9.8           | 164        | 86.53    | 1.14                   |             |         | 11       | 153   | 80.65    | 1.23 | 12       | 134   | 70.50    | 1.40 | 1.2      | 1755  | 1148     | 1.6  | 1.4      | 1544  | 1010     | 1.8  | 1.6      | 1356  | 887      | 2.1  | 1.8      | 1192  | 780      | 2.4  | 2.1      | 1030  | 674      | 2.7  | 11       | 149   | 128.51   | 1.26 | 12       | 137   | 117.88   | 1.37 | 14       | 117   | 100.36   | 1.61 | 16       | 101   | 86.53    | 1.87 | 17       | 94    | 80.65    | 2.0  | 20       | 82    | 70.50    | 2.3  | 21       | 77    | 66.09    | 2.4  | 24       | 68    | 58.32    | 2.8  | 25       | 63    | 54.54    | 3.0  | 27       | 60    | 51.70    | 3.1  | 30       | 55    | 47.02    | 3.4  | 32       | 51    | 43.83    | 3.7  | 36       | 45    | 38.31    | 4.2  | 39       | 42    | 35.91    | 4.5  | 44       | 37    | 31.69    | 5.1  | 49       | 33    | 28.09    | 5.8  | 58       | 28    | 23.88    | 6.8  | 59       | 27    | 23.63    | 6.8  | 68       | 24    | 20.57    | 7.9  | 72       | 22    | 19.27    | 8.4  | 82       | 20    | 17.03    | 9.5  | 88       | 18    | 15.81    | 10.2 | 97       | 17    | 14.33    | 11   | 108      | 15    | 12.87    | 13   | 125      | 13    | 11.08    | 14   | 133      | 12    | 10.42    | 14   | 155      | 10    | 8.97     | 16   | 185      | 8.7   | 7.51     | 16   | 204      | 7.9   | 6.81     | 17   | 227      | 7.1   | 6.11     | 18   | 264      | 6.1   | 5.27     | 19   | 281      | 5.8   | 4.95     | 20   | 326      | 5.0   | 4.26     | 21   | 1.3      | 1605  | 1050     | 0.88 | 1.5      | 1387  | 907      | 1.02 | 1.7      | 1238  | 810      | 1.14 | 2.0      | 1085  | 710      | 1.30 | 2.3      | 917   | 600      | 1.54 | 2.6      | 803   | 525      | 1.76 | 3.0      | 717   | 469      | 1.97 | 3.4      | 630   | 412      | 2.2  | 2.2      | 980   | 641      | 0.79 | 2.4      | 874   | 572      | 0.88 | 2.7      | 778   | 509      | 0.99 | 3.2      | 668   | 437      | 1.15 | 2.8      | 764   | 500      | 1.01 | 3.1      | 694   | 454      | 1.11 | 3.5      | 599   | 392      | 1.29 | 4.2      | 509   | 333      | 1.51 | 4.7      | 454   | 297      | 1.70 | 5.3      | 399   | 261      | 1.93 | 5.8      | 364   | 238      | 2.1  | 3.6      | 582   | 387      | 0.95 | 4.2      | 504   | 330      | 1.12 | 5.6      | 381   | 249      | 1.48 | 3.6      | 584   | 382      | 0.97 | 4.2      | 505   | 330      | 1.12 | 4.7      | 456   | 298      | 1.24 | 5.3      | 401   | 262      | 1.41 | 6.2      | 345   | 226      | 1.63 | 7.0      | 306   | 200      | 1.84 | 8.4      | 254   | 166      | 2.2  | 6.1      | 347   | 227      | 1.08 | 6.4      | 330   | 216      | 1.14 | 7.2      | 294   | 192      | 1.28 | 8.0      | 264   | 173      | 1.42 | 6.0      | 352   | 230      | 1.07 | 6.4      | 330   | 216      | 1.14 | 7.4      | 287   | 188      | 1.31  | 7.9      | 269   | 176      | 1.40  | 9.4      | 226  | 148      | 1.66  | 11       | 199  | 130      | 1.89  | 10       | 203  | 133      | 0.92  | 11       | 197  | 129      | 0.95  | 12       | 180   | 118      | 1.04  | 14       | 150   | 98       | 1.25 | 16       | 133   | 87       | 1.41 | 0.16     | 13607 | 8901     | 0.83 | 0.18     | 11775 | 7703     | 0.96 | 0.21     | 10346 | 6768     | 1.09 | 0.23     | 9131 | 5973     | 1.24 | 0.27     | 7760 | 5076     | 1.45 | 0.31     | 6827 | 4466     | 1.7  | 0.24     | 8897 | 5820     | 0.83 | 0.27     | 7984 | 5223     | 0.92 | 0.30     | 6982 | 4567     | 1.06 | 0.40     | 5262 | 3442     | 1.40 | 0.46     | 4643 | 3037     | 1.59 | 0.50     | 4213 | 2756     | 1.75 | 0.59     | 3621 | 2369     | 2.0  | 0.67     | 3161 | 2068     | 2.3  | 0.87     | 2441 | 1597     | 3.0  | 0.99     | 2142 | 1401     | 3.4  | 3.0      | 744  | 281.71   | 1.9  | 3.2      | 694  | 262.93   | 2.0  | 3.8      | 596  | 225.79   | 2.4  | 4.3      | 524  | 198.31   | 2.7  | 4.5      | 497  | 188.40   | 2.8  | 0.47    | 4508 | 2949     | 0.90 | 0.54    | 3959 | 2590     | 1.02 | 0.61     | 3466 | 2267     | 1.17 | 0.63     | 3362 | 2199     | 1.20 | 0.80     | 2658 | 1739     | 1.52 | 0.90     | 2357 | 1542    | 1.71 | 1.0      | 2032 | 1329    | 2.0 | 1.2      | 1807 | 1182     | 2.2 | 1.3      | 1578 | 1032     | 2.6 | F 127R77 |   |          |   |         | 4 | F 107R77 |   |         |   |      | 4 | F 97R57 |   |      |   |  | 4 | F 77 |   |  |  |  | 6 |
| 9.8           | 164        | 86.53    | 1.14                   |             |         | 11            | 153        | 80.65    | 1.23                   |             |         | 12       | 134   | 70.50    | 1.40 | 1.2      | 1755  | 1148     | 1.6  | 1.4      | 1544  | 1010     | 1.8  | 1.6      | 1356  | 887      | 2.1  | 1.8      | 1192  | 780      | 2.4  | 2.1      | 1030  | 674      | 2.7  | 11       | 149   | 128.51   | 1.26 | 12       | 137   | 117.88   | 1.37 | 14       | 117   | 100.36   | 1.61 | 16       | 101   | 86.53    | 1.87 | 17       | 94    | 80.65    | 2.0  | 20       | 82    | 70.50    | 2.3  | 21       | 77    | 66.09    | 2.4  | 24       | 68    | 58.32    | 2.8  | 25       | 63    | 54.54    | 3.0  | 27       | 60    | 51.70    | 3.1  | 30       | 55    | 47.02    | 3.4  | 32       | 51    | 43.83    | 3.7  | 36       | 45    | 38.31    | 4.2  | 39       | 42    | 35.91    | 4.5  | 44       | 37    | 31.69    | 5.1  | 49       | 33    | 28.09    | 5.8  | 58       | 28    | 23.88    | 6.8  | 59       | 27    | 23.63    | 6.8  | 68       | 24    | 20.57    | 7.9  | 72       | 22    | 19.27    | 8.4  | 82       | 20    | 17.03    | 9.5  | 88       | 18    | 15.81    | 10.2 | 97       | 17    | 14.33    | 11   | 108      | 15    | 12.87    | 13   | 125      | 13    | 11.08    | 14   | 133      | 12    | 10.42    | 14   | 155      | 10    | 8.97     | 16   | 185      | 8.7   | 7.51     | 16   | 204      | 7.9   | 6.81     | 17   | 227      | 7.1   | 6.11     | 18   | 264      | 6.1   | 5.27     | 19   | 281      | 5.8   | 4.95     | 20   | 326      | 5.0   | 4.26     | 21   | 1.3      | 1605  | 1050     | 0.88 | 1.5      | 1387  | 907      | 1.02 | 1.7      | 1238  | 810      | 1.14 | 2.0      | 1085  | 710      | 1.30 | 2.3      | 917   | 600      | 1.54 | 2.6      | 803   | 525      | 1.76 | 3.0      | 717   | 469      | 1.97 | 3.4      | 630   | 412      | 2.2  | 2.2      | 980   | 641      | 0.79 | 2.4      | 874   | 572      | 0.88 | 2.7      | 778   | 509      | 0.99 | 3.2      | 668   | 437      | 1.15 | 2.8      | 764   | 500      | 1.01 | 3.1      | 694   | 454      | 1.11 | 3.5      | 599   | 392      | 1.29 | 4.2      | 509   | 333      | 1.51 | 4.7      | 454   | 297      | 1.70 | 5.3      | 399   | 261      | 1.93 | 5.8      | 364   | 238      | 2.1  | 3.6      | 582   | 387      | 0.95 | 4.2      | 504   | 330      | 1.12 | 5.6      | 381   | 249      | 1.48 | 3.6      | 584   | 382      | 0.97 | 4.2      | 505   | 330      | 1.12 | 4.7      | 456   | 298      | 1.24 | 5.3      | 401   | 262      | 1.41 | 6.2      | 345   | 226      | 1.63 | 7.0      | 306   | 200      | 1.84 | 8.4      | 254   | 166      | 2.2  | 6.1      | 347   | 227      | 1.08 | 6.4      | 330   | 216      | 1.14 | 7.2      | 294   | 192      | 1.28 | 8.0      | 264   | 173      | 1.42 | 6.0      | 352   | 230      | 1.07 | 6.4      | 330   | 216      | 1.14 | 7.4      | 287   | 188      | 1.31 | 7.9      | 269   | 176      | 1.40  | 9.4      | 226   | 148      | 1.66  | 11       | 199  | 130      | 1.89  | 10       | 203  | 133      | 0.92  | 11       | 197  | 129      | 0.95  | 12       | 180  | 118      | 1.04  | 14       | 150   | 98       | 1.25  | 16       | 133   | 87       | 1.41 | 0.16     | 13607 | 8901     | 0.83 | 0.18     | 11775 | 7703     | 0.96 | 0.21     | 10346 | 6768     | 1.09 | 0.23     | 9131  | 5973     | 1.24 | 0.27     | 7760 | 5076     | 1.45 | 0.31     | 6827 | 4466     | 1.7  | 0.24     | 8897 | 5820     | 0.83 | 0.27     | 7984 | 5223     | 0.92 | 0.30     | 6982 | 4567     | 1.06 | 0.40     | 5262 | 3442     | 1.40 | 0.46     | 4643 | 3037     | 1.59 | 0.50     | 4213 | 2756     | 1.75 | 0.59     | 3621 | 2369     | 2.0  | 0.67     | 3161 | 2068     | 2.3  | 0.87     | 2441 | 1597     | 3.0  | 0.99     | 2142 | 1401     | 3.4  | 3.0      | 744  | 281.71   | 1.9  | 3.2      | 694  | 262.93   | 2.0  | 3.8      | 596  | 225.79   | 2.4  | 4.3      | 524  | 198.31   | 2.7  | 4.5      | 497  | 188.40   | 2.8  | 0.47     | 4508 | 2949     | 0.90 | 0.54    | 3959 | 2590     | 1.02 | 0.61    | 3466 | 2267     | 1.17 | 0.63     | 3362 | 2199     | 1.20 | 0.80     | 2658 | 1739     | 1.52 | 0.90     | 2357 | 1542     | 1.71 | 1.0      | 2032 | 1329    | 2.0  | 1.2      | 1807 | 1182    | 2.2 | 1.3      | 1578 | 1032     | 2.6 | F 127R77 |      |          |     |          | 4 | F 107R77 |   |         |   |          | 4 | F 97R57 |   |      |   |         | 4 | F 77 |   |  |   |      | 6 |  |  |  |   |
| 11            | 153        | 80.65    | 1.23                   |             |         | 12            | 134        | 70.50    | 1.40                   |             |         | 1.2      | 1755  | 1148     | 1.6  | 1.4      | 1544  | 1010     | 1.8  | 1.6      | 1356  | 887      | 2.1  | 1.8      | 1192  | 780      | 2.4  | 2.1      | 1030  | 674      | 2.7  | 11       | 149   | 128.51   | 1.26 | 12       | 137   | 117.88   | 1.37 | 14       | 117   | 100.36   | 1.61 | 16       | 101   | 86.53    | 1.87 | 17       | 94    | 80.65    | 2.0  | 20       | 82    | 70.50    | 2.3  | 21       | 77    | 66.09    | 2.4  | 24       | 68    | 58.32    | 2.8  | 25       | 63    | 54.54    | 3.0  | 27       | 60    | 51.70    | 3.1  | 30       | 55    | 47.02    | 3.4  | 32       | 51    | 43.83    | 3.7  | 36       | 45    | 38.31    | 4.2  | 39       | 42    | 35.91    | 4.5  | 44       | 37    | 31.69    | 5.1  | 49       | 33    | 28.09    | 5.8  | 58       | 28    | 23.88    | 6.8  | 59       | 27    | 23.63    | 6.8  | 68       | 24    | 20.57    | 7.9  | 72       | 22    | 19.27    | 8.4  | 82       | 20    | 17.03    | 9.5  | 88       | 18    | 15.81    | 10.2 | 97       | 17    | 14.33    | 11   | 108      | 15    | 12.87    | 13   | 125      | 13    | 11.08    | 14   | 133      | 12    | 10.42    | 14   | 155      | 10    | 8.97     | 16   | 185      | 8.7   | 7.51     | 16   | 204      | 7.9   | 6.81     | 17   | 227      | 7.1   | 6.11     | 18   | 264      | 6.1   | 5.27     | 19   | 281      | 5.8   | 4.95     | 20   | 326      | 5.0   | 4.26     | 21   | 1.3      | 1605  | 1050     | 0.88 | 1.5      | 1387  | 907      | 1.02 | 1.7      | 1238  | 810      | 1.14 | 2.0      | 1085  | 710      | 1.30 | 2.3      | 917   | 600      | 1.54 | 2.6      | 803   | 525      | 1.76 | 3.0      | 717   | 469      | 1.97 | 3.4      | 630   | 412      | 2.2  | 2.2      | 980   | 641      | 0.79 | 2.4      | 874   | 572      | 0.88 | 2.7      | 778   | 509      | 0.99 | 3.2      | 668   | 437      | 1.15 | 2.8      | 764   | 500      | 1.01 | 3.1      | 694   | 454      | 1.11 | 3.5      | 599   | 392      | 1.29 | 4.2      | 509   | 333      | 1.51 | 4.7      | 454   | 297      | 1.70 | 5.3      | 399   | 261      | 1.93 | 5.8      | 364   | 238      | 2.1  | 3.6      | 582   | 387      | 0.95 | 4.2      | 504   | 330      | 1.12 | 5.6      | 381   | 249      | 1.48 | 3.6      | 584   | 382      | 0.97 | 4.2      | 505   | 330      | 1.12 | 4.7      | 456   | 298      | 1.24 | 5.3      | 401   | 262      | 1.41 | 6.2      | 345   | 226      | 1.63 | 7.0      | 306   | 200      | 1.84 | 8.4      | 254   | 166      | 2.2  | 6.1      | 347   | 227      | 1.08 | 6.4      | 330   | 216      | 1.14 | 7.2      | 294   | 192      | 1.28 | 8.0      | 264   | 173      | 1.42 | 6.0      | 352   | 230      | 1.07 | 6.4      | 330   | 216      | 1.14 | 7.4      | 287   | 188      | 1.31 | 7.9      | 269   | 176      | 1.40 | 9.4      | 226   | 148      | 1.66  | 11       | 199   | 130      | 1.89  | 10       | 203  | 133      | 0.92  | 11       | 197  | 129      | 0.95  | 12       | 180  | 118      | 1.04  | 14       | 150  | 98       | 1.25  | 16       | 133   | 87       | 1.41  | 0.16     | 13607 | 8901     | 0.83 | 0.18     | 11775 | 7703     | 0.96 | 0.21     | 10346 | 6768     | 1.09 | 0.23     | 9131  | 5973     | 1.24 | 0.27     | 7760  | 5076     | 1.45 | 0.31     | 6827 | 4466     | 1.7  | 0.24     | 8897 | 5820     | 0.83 | 0.27     | 7984 | 5223     | 0.92 | 0.30     | 6982 | 4567     | 1.06 | 0.40     | 5262 | 3442     | 1.40 | 0.46     | 4643 | 3037     | 1.59 | 0.50     | 4213 | 2756     | 1.75 | 0.59     | 3621 | 2369     | 2.0  | 0.67     | 3161 | 2068     | 2.3  | 0.87     | 2441 | 1597     | 3.0  | 0.99     | 2142 | 1401     | 3.4  | 3.0      | 744  | 281.71   | 1.9  | 3.2      | 694  | 262.93   | 2.0  | 3.8      | 596  | 225.79   | 2.4  | 4.3      | 524  | 198.31   | 2.7  | 4.5      | 497  | 188.40   | 2.8  | 0.47     | 4508 | 2949     | 0.90 | 0.54     | 3959 | 2590     | 1.02 | 0.61    | 3466 | 2267     | 1.17 | 0.63    | 3362 | 2199     | 1.20 | 0.80     | 2658 | 1739     | 1.52 | 0.90     | 2357 | 1542     | 1.71 | 1.0      | 2032 | 1329     | 2.0  | 1.2      | 1807 | 1182    | 2.2  | 1.3      | 1578 | 1032    | 2.6 | F 127R77 |      |          |     |          | 4    | F 107R77 |     |          |   |          | 4 | F 97R57 |   |          |   |         | 4 | F 77 |   |         |   |      | 6 |  |   |      |   |  |  |  |   |
| 12            | 134        | 70.50    | 1.40                   |             |         | 1.2           | 1755       | 1148     | 1.6                    |             |         | 1.4      | 1544  | 1010     | 1.8  | 1.6      | 1356  | 887      | 2.1  | 1.8      | 1192  | 780      | 2.4  | 2.1      | 1030  | 674      | 2.7  | 11       | 149   | 128.51   | 1.26 | 12       | 137   | 117.88   | 1.37 | 14       | 117   | 100.36   | 1.61 | 16       | 101   | 86.53    | 1.87 | 17       | 94    | 80.65    | 2.0  | 20       | 82    | 70.50    | 2.3  | 21       | 77    | 66.09    | 2.4  | 24       | 68    | 58.32    | 2.8  | 25       | 63    | 54.54    | 3.0  | 27       | 60    | 51.70    | 3.1  | 30       | 55    | 47.02    | 3.4  | 32       | 51    | 43.83    | 3.7  | 36       | 45    | 38.31    | 4.2  | 39       | 42    | 35.91    | 4.5  | 44       | 37    | 31.69    | 5.1  | 49       | 33    | 28.09    | 5.8  | 58       | 28    | 23.88    | 6.8  | 59       | 27    | 23.63    | 6.8  | 68       | 24    | 20.57    | 7.9  | 72       | 22    | 19.27    | 8.4  | 82       | 20    | 17.03    | 9.5  | 88       | 18    | 15.81    | 10.2 | 97       | 17    | 14.33    | 11   | 108      | 15    | 12.87    | 13   | 125      | 13    | 11.08    | 14   | 133      | 12    | 10.42    | 14   | 155      | 10    | 8.97     | 16   | 185      | 8.7   | 7.51     | 16   | 204      | 7.9   | 6.81     | 17   | 227      | 7.1   | 6.11     | 18   | 264      | 6.1   | 5.27     | 19   | 281      | 5.8   | 4.95     | 20   | 326      | 5.0   | 4.26     | 21   | 1.3      | 1605  | 1050     | 0.88 | 1.5      | 1387  | 907      | 1.02 | 1.7      | 1238  | 810      | 1.14 | 2.0      | 1085  | 710      | 1.30 | 2.3      | 917   | 600      | 1.54 | 2.6      | 803   | 525      | 1.76 | 3.0      | 717   | 469      | 1.97 | 3.4      | 630   | 412      | 2.2  | 2.2      | 980   | 641      | 0.79 | 2.4      | 874   | 572      | 0.88 | 2.7      | 778   | 509      | 0.99 | 3.2      | 668   | 437      | 1.15 | 2.8      | 764   | 500      | 1.01 | 3.1      | 694   | 454      | 1.11 | 3.5      | 599   | 392      | 1.29 | 4.2      | 509   | 333      | 1.51 | 4.7      | 454   | 297      | 1.70 | 5.3      | 399   | 261      | 1.93 | 5.8      | 364   | 238      | 2.1  | 3.6      | 582   | 387      | 0.95 | 4.2      | 504   | 330      | 1.12 | 5.6      | 381   | 249      | 1.48 | 3.6      | 584   | 382      | 0.97 | 4.2      | 505   | 330      | 1.12 | 4.7      | 456   | 298      | 1.24 | 5.3      | 401   | 262      | 1.41 | 6.2      | 345   | 226      | 1.63 | 7.0      | 306   | 200      | 1.84 | 8.4      | 254   | 166      | 2.2  | 6.1      | 347   | 227      | 1.08 | 6.4      | 330   | 216      | 1.14 | 7.2      | 294   | 192      | 1.28 | 8.0      | 264   | 173      | 1.42 | 6.0      | 352   | 230      | 1.07 | 6.4      | 330   | 216      | 1.14 | 7.4      | 287   | 188      | 1.31 | 7.9      | 269   | 176      | 1.40 | 9.4      | 226   | 148      | 1.66 | 11       | 199   | 130      | 1.89  | 10       | 203   | 133      | 0.92  | 11       | 197  | 129      | 0.95  | 12       | 180  | 118      | 1.04  | 14       | 150  | 98       | 1.25  | 16       | 133  | 87       | 1.41  | 0.16     | 13607 | 8901     | 0.83  | 0.18     | 11775 | 7703     | 0.96 | 0.21     | 10346 | 6768     | 1.09 | 0.23     | 9131  | 5973     | 1.24 | 0.27     | 7760  | 5076     | 1.45 | 0.31     | 6827  | 4466     | 1.7  | 0.24     | 8897 | 5820     | 0.83 | 0.27     | 7984 | 5223     | 0.92 | 0.30     | 6982 | 4567     | 1.06 | 0.40     | 5262 | 3442     | 1.40 | 0.46     | 4643 | 3037     | 1.59 | 0.50     | 4213 | 2756     | 1.75 | 0.59     | 3621 | 2369     | 2.0  | 0.67     | 3161 | 2068     | 2.3  | 0.87     | 2441 | 1597     | 3.0  | 0.99     | 2142 | 1401     | 3.4  | 3.0      | 744  | 281.71   | 1.9  | 3.2      | 694  | 262.93   | 2.0  | 3.8      | 596  | 225.79   | 2.4  | 4.3      | 524  | 198.31   | 2.7  | 4.5      | 497  | 188.40   | 2.8  | 0.47     | 4508 | 2949     | 0.90 | 0.54     | 3959 | 2590     | 1.02 | 0.61     | 3466 | 2267     | 1.17 | 0.63    | 3362 | 2199     | 1.20 | 0.80    | 2658 | 1739     | 1.52 | 0.90     | 2357 | 1542     | 1.71 | 1.0      | 2032 | 1329     | 2.0  | 1.2      | 1807 | 1182     | 2.2  | 1.3      | 1578 | 1032    | 2.6  | F 127R77 |      |         |     |          | 4    | F 107R77 |     |          |      |          | 4   | F 97R57  |   |          |   |         | 4 | F 77     |   |         |   |      | 6 |         |   |      |   |  |   |      |   |  |  |  |   |
| 1.2           | 1755       | 1148     | 1.6                    | 1.4         | 1544    | 1010          | 1.8        | 1.6      | 1356                   |             |         | 887      | 2.1   | 1.8      | 1192 | 780      | 2.4   | 2.1      | 1030 | 674      | 2.7   | 11       | 149  | 128.51   | 1.26  | 12       | 137  | 117.88   | 1.37  | 14       | 117  | 100.36   | 1.61  | 16       | 101  | 86.53    | 1.87  | 17       | 94   | 80.65    | 2.0   | 20       | 82   | 70.50    | 2.3   | 21       | 77   | 66.09    | 2.4   | 24       | 68   | 58.32    | 2.8   | 25       | 63   | 54.54    | 3.0   | 27       | 60   | 51.70    | 3.1   | 30       | 55   | 47.02    | 3.4   | 32       | 51   | 43.83    | 3.7   | 36       | 45   | 38.31    | 4.2   | 39       | 42   | 35.91    | 4.5   | 44       | 37   | 31.69    | 5.1   | 49       | 33   | 28.09    | 5.8   | 58       | 28   | 23.88    | 6.8   | 59       | 27   | 23.63    | 6.8   | 68       | 24   | 20.57    | 7.9   | 72       | 22   | 19.27    | 8.4   | 82       | 20   | 17.03    | 9.5   | 88       | 18   | 15.81    | 10.2  | 97       | 17   | 14.33    | 11    | 108      | 15   | 12.87    | 13    | 125      | 13   | 11.08    | 14    | 133      | 12   | 10.42    | 14    | 155      | 10   | 8.97     | 16    | 185      | 8.7  | 7.51     | 16    | 204      | 7.9  | 6.81     | 17    | 227      | 7.1  | 6.11     | 18    | 264      | 6.1  | 5.27     | 19    | 281      | 5.8  | 4.95     | 20    | 326      | 5.0  | 4.26     | 21    | 1.3      | 1605 | 1050     | 0.88  | 1.5      | 1387 | 907      | 1.02  | 1.7      | 1238 | 810      | 1.14  | 2.0      | 1085 | 710      | 1.30  | 2.3      | 917  | 600      | 1.54  | 2.6      | 803  | 525      | 1.76  | 3.0      | 717  | 469      | 1.97  | 3.4      | 630  | 412      | 2.2   | 2.2      | 980  | 641      | 0.79  | 2.4      | 874  | 572      | 0.88  | 2.7      | 778  | 509      | 0.99  | 3.2      | 668  | 437      | 1.15  | 2.8      | 764  | 500      | 1.01  | 3.1      | 694  | 454      | 1.11  | 3.5      | 599  | 392      | 1.29  | 4.2      | 509  | 333      | 1.51  | 4.7      | 454  | 297      | 1.70  | 5.3      | 399  | 261      | 1.93  | 5.8      | 364  | 238      | 2.1   | 3.6      | 582  | 387      | 0.95  | 4.2      | 504  | 330      | 1.12  | 5.6      | 381  | 249      | 1.48  | 3.6      | 584  | 382      | 0.97  | 4.2      | 505  | 330      | 1.12  | 4.7      | 456  | 298      | 1.24  | 5.3      | 401  | 262      | 1.41  | 6.2      | 345  | 226      | 1.63  | 7.0      | 306  | 200      | 1.84  | 8.4      | 254  | 166      | 2.2   | 6.1      | 347  | 227      | 1.08  | 6.4      | 330  | 216      | 1.14  | 7.2      | 294  | 192      | 1.28  | 8.0      | 264  | 173      | 1.42  | 6.0      | 352  | 230      | 1.07  | 6.4      | 330  | 216      | 1.14  | 7.4      | 287  | 188      | 1.31  | 7.9      | 269  | 176      | 1.40  | 9.4      | 226  | 148      | 1.66  | 11       | 199  | 130      | 1.89  | 10       | 203  | 133      | 0.92  | 11       | 197   | 129      | 0.95  | 12       | 180   | 118      | 1.04 | 14       | 150   | 98       | 1.25 | 16       | 133   | 87       | 1.41 | 0.16     | 13607 | 8901     | 0.83 | 0.18     | 11775 | 7703     | 0.96  | 0.21     | 10346 | 6768     | 1.09  | 0.23     | 9131 | 5973     | 1.24  | 0.27     | 7760 | 5076     | 1.45  | 0.31     | 6827 | 4466     | 1.7   | 0.24     | 8897 | 5820     | 0.83  | 0.27     | 7984 | 5223     | 0.92 | 0.30     | 6982 | 4567     | 1.06 | 0.40     | 5262 | 3442     | 1.40 | 0.46     | 4643 | 3037     | 1.59 | 0.50     | 4213 | 2756     | 1.75 | 0.59     | 3621 | 2369     | 2.0  | 0.67     | 3161 | 2068     | 2.3  | 0.87     | 2441 | 1597     | 3.0  | 0.99     | 2142 | 1401     | 3.4  | 3.0      | 744  | 281.71   | 1.9  | 3.2      | 694  | 262.93   | 2.0  | 3.8      | 596  | 225.79   | 2.4  | 4.3      | 524  | 198.31   | 2.7  | 4.5      | 497  | 188.40   | 2.8  | 0.47     | 4508 | 2949     | 0.90 | 0.54     | 3959 | 2590     | 1.02 | 0.61     | 3466 | 2267     | 1.17 | 0.63     | 3362 | 2199     | 1.20 | 0.80     | 2658 | 1739    | 1.52 | 0.90     | 2357 | 1542    | 1.71 | 1.0      | 2032 | 1329     | 2.0  | 1.2      | 1807 | 1182     | 2.2  | 1.3      | 1578 | 1032     | 2.6  | F 127R77 |      |          |      |         | 4    | F 107R77 |      |         |     |          | 4    | F 97R57  |     |          |      |          | 4   | F 77     |   |          |   |         | 6 |          |   |         |   |      |   |         |   |      |   |  |   |      |   |  |  |  |   |
| 1.4           | 1544       | 1010     | 1.8                    | 1.6         | 1356    | 887           | 2.1        | 1.8      | 1192                   |             |         | 780      | 2.4   | 2.1      | 1030 | 674      | 2.7   | 11       | 149  | 128.51   | 1.26  | 12       | 137  | 117.88   | 1.37  | 14       | 117  | 100.36   | 1.61  | 16       | 101  | 86.53    | 1.87  | 17       | 94   | 80.65    | 2.0   | 20       | 82   | 70.50    | 2.3   | 21       | 77   | 66.09    | 2.4   | 24       | 68   | 58.32    | 2.8   | 25       | 63   | 54.54    | 3.0   | 27       | 60   | 51.70    | 3.1   | 30       | 55   | 47.02    | 3.4   | 32       | 51   | 43.83    | 3.7   | 36       | 45   | 38.31    | 4.2   | 39       | 42   | 35.91    | 4.5   | 44       | 37   | 31.69    | 5.1   | 49       | 33   | 28.09    | 5.8   | 58       | 28   | 23.88    | 6.8   | 59       | 27   | 23.63    | 6.8   | 68       | 24   | 20.57    | 7.9   | 72       | 22   | 19.27    | 8.4   | 82       | 20   | 17.03    | 9.5   | 88       | 18   | 15.81    | 10.2  | 97       | 17   | 14.33    | 11    | 108      | 15   | 12.87    | 13    | 125      | 13   | 11.08    | 14    | 133      | 12   | 10.42    | 14    | 155      | 10   | 8.97     | 16    | 185      | 8.7  | 7.51     | 16    | 204      | 7.9  | 6.81     | 17    | 227      | 7.1  | 6.11     | 18    | 264      | 6.1  | 5.27     | 19    | 281      | 5.8  | 4.95     | 20    | 326      | 5.0  | 4.26     | 21    | 1.3      | 1605 | 1050     | 0.88  | 1.5      | 1387 | 907      | 1.02  | 1.7      | 1238 | 810      | 1.14  | 2.0      | 1085 | 710      | 1.30  | 2.3      | 917  | 600      | 1.54  | 2.6      | 803  | 525      | 1.76  | 3.0      | 717  | 469      | 1.97  | 3.4      | 630  | 412      | 2.2   | 2.2      | 980  | 641      | 0.79  | 2.4      | 874  | 572      | 0.88  | 2.7      | 778  | 509      | 0.99  | 3.2      | 668  | 437      | 1.15  | 2.8      | 764  | 500      | 1.01  | 3.1      | 694  | 454      | 1.11  | 3.5      | 599  | 392      | 1.29  | 4.2      | 509  | 333      | 1.51  | 4.7      | 454  | 297      | 1.70  | 5.3      | 399  | 261      | 1.93  | 5.8      | 364  | 238      | 2.1   | 3.6      | 582  | 387      | 0.95  | 4.2      | 504  | 330      | 1.12  | 5.6      | 381  | 249      | 1.48  | 3.6      | 584  | 382      | 0.97  | 4.2      | 505  | 330      | 1.12  | 4.7      | 456  | 298      | 1.24  | 5.3      | 401  | 262      | 1.41  | 6.2      | 345  | 226      | 1.63  | 7.0      | 306  | 200      | 1.84  | 8.4      | 254  | 166      | 2.2   | 6.1      | 347  | 227      | 1.08  | 6.4      | 330  | 216      | 1.14  | 7.2      | 294  | 192      | 1.28  | 8.0      | 264  | 173      | 1.42  | 6.0      | 352  | 230      | 1.07  | 6.4      | 330  | 216      | 1.14  | 7.4      | 287  | 188      | 1.31  | 7.9      | 269  | 176      | 1.40  | 9.4      | 226  | 148      | 1.66  | 11       | 199  | 130      | 1.89  | 10       | 203  | 133      | 0.92  | 11       | 197  | 129      | 0.95  | 12       | 180   | 118      | 1.04  | 14       | 150   | 98       | 1.25 | 16       | 133   | 87       | 1.41 | 0.16     | 13607 | 8901     | 0.83 | 0.18     | 11775 | 7703     | 0.96 | 0.21     | 10346 | 6768     | 1.09  | 0.23     | 9131  | 5973     | 1.24  | 0.27     | 7760 | 5076     | 1.45  | 0.31     | 6827 | 4466     | 1.7   | 0.24     | 8897 | 5820     | 0.83  | 0.27     | 7984 | 5223     | 0.92  | 0.30     | 6982 | 4567     | 1.06 | 0.40     | 5262 | 3442     | 1.40 | 0.46     | 4643 | 3037     | 1.59 | 0.50     | 4213 | 2756     | 1.75 | 0.59     | 3621 | 2369     | 2.0  | 0.67     | 3161 | 2068     | 2.3  | 0.87     | 2441 | 1597     | 3.0  | 0.99     | 2142 | 1401     | 3.4  | 3.0      | 744  | 281.71   | 1.9  | 3.2      | 694  | 262.93   | 2.0  | 3.8      | 596  | 225.79   | 2.4  | 4.3      | 524  | 198.31   | 2.7  | 4.5      | 497  | 188.40   | 2.8  | 0.47     | 4508 | 2949     | 0.90 | 0.54     | 3959 | 2590     | 1.02 | 0.61     | 3466 | 2267     | 1.17 | 0.63     | 3362 | 2199     | 1.20 | 0.80     | 2658 | 1739     | 1.52 | 0.90     | 2357 | 1542    | 1.71 | 1.0      | 2032 | 1329    | 2.0  | 1.2      | 1807 | 1182     | 2.2  | 1.3      | 1578 | 1032     | 2.6  | F 127R77 |      |          |      |          | 4    | F 107R77 |      |         |      |          | 4    | F 97R57 |     |          |      |          | 4   | F 77     |      |          |     |          | 6 |          |   |         |   |          |   |         |   |      |   |         |   |      |   |  |   |      |   |  |  |  |   |
| 1.6           | 1356       | 887      | 2.1                    | 1.8         | 1192    | 780           | 2.4        | 2.1      | 1030                   |             |         | 674      | 2.7   | 11       | 149  | 128.51   | 1.26  | 12       | 137  | 117.88   | 1.37  | 14       | 117  | 100.36   | 1.61  | 16       | 101  | 86.53    | 1.87  | 17       | 94   | 80.65    | 2.0   | 20       | 82   | 70.50    | 2.3   | 21       | 77   | 66.09    | 2.4   | 24       | 68   | 58.32    | 2.8   | 25       | 63   | 54.54    | 3.0   | 27       | 60   | 51.70    | 3.1   | 30       | 55   | 47.02    | 3.4   | 32       | 51   | 43.83    | 3.7   | 36       | 45   | 38.31    | 4.2   | 39       | 42   | 35.91    | 4.5   | 44       | 37   | 31.69    | 5.1   | 49       | 33   | 28.09    | 5.8   | 58       | 28   | 23.88    | 6.8   | 59       | 27   | 23.63    | 6.8   | 68       | 24   | 20.57    | 7.9   | 72       | 22   | 19.27    | 8.4   | 82       | 20   | 17.03    | 9.5   | 88       | 18   | 15.81    | 10.2  | 97       | 17   | 14.33    | 11    | 108      | 15   | 12.87    | 13    | 125      | 13   | 11.08    | 14    | 133      | 12   | 10.42    | 14    | 155      | 10   | 8.97     | 16    | 185      | 8.7  | 7.51     | 16    | 204      | 7.9  | 6.81     | 17    | 227      | 7.1  | 6.11     | 18    | 264      | 6.1  | 5.27     | 19    | 281      | 5.8  | 4.95     | 20    | 326      | 5.0  | 4.26     | 21    | 1.3      | 1605 | 1050     | 0.88  | 1.5      | 1387 | 907      | 1.02  | 1.7      | 1238 | 810      | 1.14  | 2.0      | 1085 | 710      | 1.30  | 2.3      | 917  | 600      | 1.54  | 2.6      | 803  | 525      | 1.76  | 3.0      | 717  | 469      | 1.97  | 3.4      | 630  | 412      | 2.2   | 2.2      | 980  | 641      | 0.79  | 2.4      | 874  | 572      | 0.88  | 2.7      | 778  | 509      | 0.99  | 3.2      | 668  | 437      | 1.15  | 2.8      | 764  | 500      | 1.01  | 3.1      | 694  | 454      | 1.11  | 3.5      | 599  | 392      | 1.29  | 4.2      | 509  | 333      | 1.51  | 4.7      | 454  | 297      | 1.70  | 5.3      | 399  | 261      | 1.93  | 5.8      | 364  | 238      | 2.1   | 3.6      | 582  | 387      | 0.95  | 4.2      | 504  | 330      | 1.12  | 5.6      | 381  | 249      | 1.48  | 3.6      | 584  | 382      | 0.97  | 4.2      | 505  | 330      | 1.12  | 4.7      | 456  | 298      | 1.24  | 5.3      | 401  | 262      | 1.41  | 6.2      | 345  | 226      | 1.63  | 7.0      | 306  | 200      | 1.84  | 8.4      | 254  | 166      | 2.2   | 6.1      | 347  | 227      | 1.08  | 6.4      | 330  | 216      | 1.14  | 7.2      | 294  | 192      | 1.28  | 8.0      | 264  | 173      | 1.42  | 6.0      | 352  | 230      | 1.07  | 6.4      | 330  | 216      | 1.14  | 7.4      | 287  | 188      | 1.31  | 7.9      | 269  | 176      | 1.40  | 9.4      | 226  | 148      | 1.66  | 11       | 199  | 130      | 1.89  | 10       | 203  | 133      | 0.92  | 11       | 197  | 129      | 0.95  | 12       | 180  | 118      | 1.04  | 14       | 150   | 98       | 1.25  | 16       | 133   | 87       | 1.41 | 0.16     | 13607 | 8901     | 0.83 | 0.18     | 11775 | 7703     | 0.96 | 0.21     | 10346 | 6768     | 1.09 | 0.23     | 9131  | 5973     | 1.24  | 0.27     | 7760  | 5076     | 1.45  | 0.31     | 6827 | 4466     | 1.7   | 0.24     | 8897 | 5820     | 0.83  | 0.27     | 7984 | 5223     | 0.92  | 0.30     | 6982 | 4567     | 1.06  | 0.40     | 5262 | 3442     | 1.40 | 0.46     | 4643 | 3037     | 1.59 | 0.50     | 4213 | 2756     | 1.75 | 0.59     | 3621 | 2369     | 2.0  | 0.67     | 3161 | 2068     | 2.3  | 0.87     | 2441 | 1597     | 3.0  | 0.99     | 2142 | 1401     | 3.4  | 3.0      | 744  | 281.71   | 1.9  | 3.2      | 694  | 262.93   | 2.0  | 3.8      | 596  | 225.79   | 2.4  | 4.3      | 524  | 198.31   | 2.7  | 4.5      | 497  | 188.40   | 2.8  | 0.47     | 4508 | 2949     | 0.90 | 0.54     | 3959 | 2590     | 1.02 | 0.61     | 3466 | 2267     | 1.17 | 0.63     | 3362 | 2199     | 1.20 | 0.80     | 2658 | 1739     | 1.52 | 0.90     | 2357 | 1542     | 1.71 | 1.0      | 2032 | 1329    | 2.0  | 1.2      | 1807 | 1182    | 2.2  | 1.3      | 1578 | 1032     | 2.6  | F 127R77 |      |          |      |          | 4    | F 107R77 |      |          |      |          | 4    | F 97R57 |      |          |      |         | 4   | F 77     |      |          |     |          | 6    |          |     |          |   |          |   |         |   |          |   |         |   |      |   |         |   |      |   |  |   |      |   |  |  |  |   |
| 1.8           | 1192       | 780      | 2.4                    | 2.1         | 1030    | 674           | 2.7        | 11       | 149                    |             |         | 128.51   | 1.26  | 12       | 137  | 117.88   | 1.37  | 14       | 117  | 100.36   | 1.61  | 16       | 101  | 86.53    | 1.87  | 17       | 94   | 80.65    | 2.0   | 20       | 82   | 70.50    | 2.3   | 21       | 77   | 66.09    | 2.4   | 24       | 68   | 58.32    | 2.8   | 25       | 63   | 54.54    | 3.0   | 27       | 60   | 51.70    | 3.1   | 30       | 55   | 47.02    | 3.4   | 32       | 51   | 43.83    | 3.7   | 36       | 45   | 38.31    | 4.2   | 39       | 42   | 35.91    | 4.5   | 44       | 37   | 31.69    | 5.1   | 49       | 33   | 28.09    | 5.8   | 58       | 28   | 23.88    | 6.8   | 59       | 27   | 23.63    | 6.8   | 68       | 24   | 20.57    | 7.9   | 72       | 22   | 19.27    | 8.4   | 82       | 20   | 17.03    | 9.5   | 88       | 18   | 15.81    | 10.2  | 97       | 17   | 14.33    | 11    | 108      | 15   | 12.87    | 13    | 125      | 13   | 11.08    | 14    | 133      | 12   | 10.42    | 14    | 155      | 10   | 8.97     | 16    | 185      | 8.7  | 7.51     | 16    | 204      | 7.9  | 6.81     | 17    | 227      | 7.1  | 6.11     | 18    | 264      | 6.1  | 5.27     | 19    | 281      | 5.8  | 4.95     | 20    | 326      | 5.0  | 4.26     | 21    | 1.3      | 1605 | 1050     | 0.88  | 1.5      | 1387 | 907      | 1.02  | 1.7      | 1238 | 810      | 1.14  | 2.0      | 1085 | 710      | 1.30  | 2.3      | 917  | 600      | 1.54  | 2.6      | 803  | 525      | 1.76  | 3.0      | 717  | 469      | 1.97  | 3.4      | 630  | 412      | 2.2   | 2.2      | 980  | 641      | 0.79  | 2.4      | 874  | 572      | 0.88  | 2.7      | 778  | 509      | 0.99  | 3.2      | 668  | 437      | 1.15  | 2.8      | 764  | 500      | 1.01  | 3.1      | 694  | 454      | 1.11  | 3.5      | 599  | 392      | 1.29  | 4.2      | 509  | 333      | 1.51  | 4.7      | 454  | 297      | 1.70  | 5.3      | 399  | 261      | 1.93  | 5.8      | 364  | 238      | 2.1   | 3.6      | 582  | 387      | 0.95  | 4.2      | 504  | 330      | 1.12  | 5.6      | 381  | 249      | 1.48  | 3.6      | 584  | 382      | 0.97  | 4.2      | 505  | 330      | 1.12  | 4.7      | 456  | 298      | 1.24  | 5.3      | 401  | 262      | 1.41  | 6.2      | 345  | 226      | 1.63  | 7.0      | 306  | 200      | 1.84  | 8.4      | 254  | 166      | 2.2   | 6.1      | 347  | 227      | 1.08  | 6.4      | 330  | 216      | 1.14  | 7.2      | 294  | 192      | 1.28  | 8.0      | 264  | 173      | 1.42  | 6.0      | 352  | 230      | 1.07  | 6.4      | 330  | 216      | 1.14  | 7.4      | 287  | 188      | 1.31  | 7.9      | 269  | 176      | 1.40  | 9.4      | 226  | 148      | 1.66  | 11       | 199  | 130      | 1.89  | 10       | 203  | 133      | 0.92  | 11       | 197  | 129      | 0.95  | 12       | 180  | 118      | 1.04  | 14       | 150  | 98       | 1.25  | 16       | 133   | 87       | 1.41  | 0.16     | 13607 | 8901     | 0.83 | 0.18     | 11775 | 7703     | 0.96 | 0.21     | 10346 | 6768     | 1.09 | 0.23     | 9131  | 5973     | 1.24 | 0.27     | 7760  | 5076     | 1.45  | 0.31     | 6827  | 4466     | 1.7   | 0.24     | 8897 | 5820     | 0.83  | 0.27     | 7984 | 5223     | 0.92  | 0.30     | 6982 | 4567     | 1.06  | 0.40     | 5262 | 3442     | 1.40  | 0.46     | 4643 | 3037     | 1.59 | 0.50     | 4213 | 2756     | 1.75 | 0.59     | 3621 | 2369     | 2.0  | 0.67     | 3161 | 2068     | 2.3  | 0.87     | 2441 | 1597     | 3.0  | 0.99     | 2142 | 1401     | 3.4  | 3.0      | 744  | 281.71   | 1.9  | 3.2      | 694  | 262.93   | 2.0  | 3.8      | 596  | 225.79   | 2.4  | 4.3      | 524  | 198.31   | 2.7  | 4.5      | 497  | 188.40   | 2.8  | 0.47     | 4508 | 2949     | 0.90 | 0.54     | 3959 | 2590     | 1.02 | 0.61     | 3466 | 2267     | 1.17 | 0.63     | 3362 | 2199     | 1.20 | 0.80     | 2658 | 1739     | 1.52 | 0.90     | 2357 | 1542     | 1.71 | 1.0      | 2032 | 1329     | 2.0  | 1.2      | 1807 | 1182    | 2.2  | 1.3      | 1578 | 1032    | 2.6  | F 127R77 |      |          |      |          | 4    | F 107R77 |      |          |      |          | 4    | F 97R57  |      |          |      |         | 4    | F 77     |      |         |     |          | 6    |          |     |          |      |          |     |          |   |          |   |         |   |          |   |         |   |      |   |         |   |      |   |  |   |      |   |  |  |  |   |
| 2.1           | 1030       | 674      | 2.7                    | 11          | 149     | 128.51        | 1.26       | 12       | 137                    |             |         | 117.88   | 1.37  | 14       | 117  | 100.36   | 1.61  | 16       | 101  | 86.53    | 1.87  | 17       | 94   | 80.65    | 2.0   | 20       | 82   | 70.50    | 2.3   | 21       | 77   | 66.09    | 2.4   | 24       | 68   | 58.32    | 2.8   | 25       | 63   | 54.54    | 3.0   | 27       | 60   | 51.70    | 3.1   | 30       | 55   | 47.02    | 3.4   | 32       | 51   | 43.83    | 3.7   | 36       | 45   | 38.31    | 4.2   | 39       | 42   | 35.91    | 4.5   | 44       | 37   | 31.69    | 5.1   | 49       | 33   | 28.09    | 5.8   | 58       | 28   | 23.88    | 6.8   | 59       | 27   | 23.63    | 6.8   | 68       | 24   | 20.57    | 7.9   | 72       | 22   | 19.27    | 8.4   | 82       | 20   | 17.03    | 9.5   | 88       | 18   | 15.81    | 10.2  | 97       | 17   | 14.33    | 11    | 108      | 15   | 12.87    | 13    | 125      | 13   | 11.08    | 14    | 133      | 12   | 10.42    | 14    | 155      | 10   | 8.97     | 16    | 185      | 8.7  | 7.51     | 16    | 204      | 7.9  | 6.81     | 17    | 227      | 7.1  | 6.11     | 18    | 264      | 6.1  | 5.27     | 19    | 281      | 5.8  | 4.95     | 20    | 326      | 5.0  | 4.26     | 21    | 1.3      | 1605 | 1050     | 0.88  | 1.5      | 1387 | 907      | 1.02  | 1.7      | 1238 | 810      | 1.14  | 2.0      | 1085 | 710      | 1.30  | 2.3      | 917  | 600      | 1.54  | 2.6      | 803  | 525      | 1.76  | 3.0      | 717  | 469      | 1.97  | 3.4      | 630  | 412      | 2.2   | 2.2      | 980  | 641      | 0.79  | 2.4      | 874  | 572      | 0.88  | 2.7      | 778  | 509      | 0.99  | 3.2      | 668  | 437      | 1.15  | 2.8      | 764  | 500      | 1.01  | 3.1      | 694  | 454      | 1.11  | 3.5      | 599  | 392      | 1.29  | 4.2      | 509  | 333      | 1.51  | 4.7      | 454  | 297      | 1.70  | 5.3      | 399  | 261      | 1.93  | 5.8      | 364  | 238      | 2.1   | 3.6      | 582  | 387      | 0.95  | 4.2      | 504  | 330      | 1.12  | 5.6      | 381  | 249      | 1.48  | 3.6      | 584  | 382      | 0.97  | 4.2      | 505  | 330      | 1.12  | 4.7      | 456  | 298      | 1.24  | 5.3      | 401  | 262      | 1.41  | 6.2      | 345  | 226      | 1.63  | 7.0      | 306  | 200      | 1.84  | 8.4      | 254  | 166      | 2.2   | 6.1      | 347  | 227      | 1.08  | 6.4      | 330  | 216      | 1.14  | 7.2      | 294  | 192      | 1.28  | 8.0      | 264  | 173      | 1.42  | 6.0      | 352  | 230      | 1.07  | 6.4      | 330  | 216      | 1.14  | 7.4      | 287  | 188      | 1.31  | 7.9      | 269  | 176      | 1.40  | 9.4      | 226  | 148      | 1.66  | 11       | 199  | 130      | 1.89  | 10       | 203  | 133      | 0.92  | 11       | 197  | 129      | 0.95  | 12       | 180  | 118      | 1.04  | 14       | 150  | 98       | 1.25  | 16       | 133  | 87       | 1.41  | 0.16     | 13607 | 8901     | 0.83  | 0.18     | 11775 | 7703     | 0.96 | 0.21     | 10346 | 6768     | 1.09 | 0.23     | 9131  | 5973     | 1.24 | 0.27     | 7760  | 5076     | 1.45 | 0.31     | 6827  | 4466     | 1.7   | 0.24     | 8897  | 5820     | 0.83  | 0.27     | 7984 | 5223     | 0.92  | 0.30     | 6982 | 4567     | 1.06  | 0.40     | 5262 | 3442     | 1.40  | 0.46     | 4643 | 3037     | 1.59  | 0.50     | 4213 | 2756     | 1.75 | 0.59     | 3621 | 2369     | 2.0  | 0.67     | 3161 | 2068     | 2.3  | 0.87     | 2441 | 1597     | 3.0  | 0.99     | 2142 | 1401     | 3.4  | 3.0      | 744  | 281.71   | 1.9  | 3.2      | 694  | 262.93   | 2.0  | 3.8      | 596  | 225.79   | 2.4  | 4.3      | 524  | 198.31   | 2.7  | 4.5      | 497  | 188.40   | 2.8  | 0.47     | 4508 | 2949     | 0.90 | 0.54     | 3959 | 2590     | 1.02 | 0.61     | 3466 | 2267     | 1.17 | 0.63     | 3362 | 2199     | 1.20 | 0.80     | 2658 | 1739     | 1.52 | 0.90     | 2357 | 1542     | 1.71 | 1.0      | 2032 | 1329     | 2.0  | 1.2      | 1807 | 1182     | 2.2  | 1.3      | 1578 | 1032    | 2.6  | F 127R77 |      |         |      |          | 4    | F 107R77 |      |          |      |          | 4    | F 97R57  |      |          |      |          | 4    | F 77     |      |         |      |          | 6    |         |     |          |      |          |     |          |      |          |     |          |   |          |   |         |   |          |   |         |   |      |   |         |   |      |   |  |   |      |   |  |  |  |   |
| 11            | 149        | 128.51   | 1.26                   | 12          | 137     | 117.88        | 1.37       | 14       | 117                    | 100.36      | 1.61    | 16       | 101   | 86.53    | 1.87 | 17       | 94    | 80.65    | 2.0  | 20       | 82    | 70.50    | 2.3  | 21       | 77    | 66.09    | 2.4  | 24       | 68    | 58.32    | 2.8  | 25       | 63    | 54.54    | 3.0  | 27       | 60    | 51.70    | 3.1  | 30       | 55    | 47.02    | 3.4  | 32       | 51    | 43.83    | 3.7  | 36       | 45    | 38.31    | 4.2  | 39       | 42    | 35.91    | 4.5  | 44       | 37    | 31.69    | 5.1  | 49       | 33    | 28.09    | 5.8  | 58       | 28    | 23.88    | 6.8  | 59       | 27    | 23.63    | 6.8  | 68       | 24    | 20.57    | 7.9  | 72       | 22    | 19.27    | 8.4  | 82       | 20    | 17.03    | 9.5  | 88       | 18    | 15.81    | 10.2 | 97       | 17    | 14.33    | 11   | 108      | 15    | 12.87    | 13   | 125      | 13    | 11.08    | 14   | 133      | 12    | 10.42    | 14   | 155      | 10    | 8.97     | 16   | 185      | 8.7   | 7.51     | 16   | 204      | 7.9   | 6.81     | 17   | 227      | 7.1   | 6.11     | 18   | 264      | 6.1   | 5.27     | 19   | 281      | 5.8   | 4.95     | 20   | 326      | 5.0   | 4.26     | 21   | 1.3      | 1605  | 1050     | 0.88 | 1.5      | 1387  | 907      | 1.02 | 1.7      | 1238  | 810      | 1.14 | 2.0      | 1085  | 710      | 1.30 | 2.3      | 917   | 600      | 1.54 | 2.6      | 803   | 525      | 1.76 | 3.0      | 717   | 469      | 1.97 | 3.4      | 630   | 412      | 2.2  | 2.2      | 980   | 641      | 0.79 | 2.4      | 874   | 572      | 0.88 | 2.7      | 778   | 509      | 0.99 | 3.2      | 668   | 437      | 1.15 | 2.8      | 764   | 500      | 1.01 | 3.1      | 694   | 454      | 1.11 | 3.5      | 599   | 392      | 1.29 | 4.2      | 509   | 333      | 1.51 | 4.7      | 454   | 297      | 1.70 | 5.3      | 399   | 261      | 1.93 | 5.8      | 364   | 238      | 2.1  | 3.6      | 582   | 387      | 0.95 | 4.2      | 504   | 330      | 1.12 | 5.6      | 381   | 249      | 1.48 | 3.6      | 584   | 382      | 0.97 | 4.2      | 505   | 330      | 1.12 | 4.7      | 456   | 298      | 1.24 | 5.3      | 401   | 262      | 1.41 | 6.2      | 345   | 226      | 1.63 | 7.0      | 306   | 200      | 1.84 | 8.4      | 254   | 166      | 2.2  | 6.1      | 347   | 227      | 1.08 | 6.4      | 330   | 216      | 1.14 | 7.2      | 294   | 192      | 1.28 | 8.0      | 264   | 173      | 1.42 | 6.0      | 352   | 230      | 1.07 | 6.4      | 330   | 216      | 1.14 | 7.4      | 287   | 188      | 1.31 | 7.9      | 269   | 176      | 1.40 | 9.4      | 226   | 148      | 1.66 | 11       | 199   | 130      | 1.89 | 10       | 203   | 133      | 0.92 | 11       | 197   | 129      | 0.95 | 12       | 180   | 118      | 1.04 | 14       | 150   | 98       | 1.25 | 16       | 133   | 87       | 1.41 | 0.16     | 13607 | 8901     | 0.83 | 0.18     | 11775 | 7703     | 0.96  | 0.21     | 10346 | 6768     | 1.09  | 0.23     | 9131 | 5973     | 1.24  | 0.27     | 7760 | 5076     | 1.45  | 0.31     | 6827 | 4466     | 1.7   | 0.24     | 8897 | 5820     | 0.83  | 0.27     | 7984  | 5223     | 0.92  | 0.30     | 6982  | 4567     | 1.06 | 0.40     | 5262  | 3442     | 1.40 | 0.46     | 4643  | 3037     | 1.59 | 0.50     | 4213  | 2756     | 1.75 | 0.59     | 3621  | 2369     | 2.0  | 0.67     | 3161 | 2068     | 2.3  | 0.87     | 2441 | 1597     | 3.0  | 0.99     | 2142 | 1401     | 3.4  | 3.0      | 744  | 281.71   | 1.9  | 3.2      | 694  | 262.93   | 2.0  | 3.8      | 596  | 225.79   | 2.4  | 4.3      | 524  | 198.31   | 2.7  | 4.5      | 497  | 188.40   | 2.8  | 0.47     | 4508 | 2949     | 0.90 | 0.54     | 3959 | 2590     | 1.02 | 0.61     | 3466 | 2267     | 1.17 | 0.63     | 3362 | 2199     | 1.20 | 0.80     | 2658 | 1739     | 1.52 | 0.90     | 2357 | 1542     | 1.71 | 1.0      | 2032 | 1329     | 2.0  | 1.2      | 1807 | 1182     | 2.2  | 1.3      | 1578 | 1032     | 2.6  | F 127R77 |      |          |      |         | 4    | F 107R77 |      |         |      |          | 4    | F 97R57  |      |          |      |          | 4    | F 77     |      |          |      |          | 6    |          |      |         |      |          |      |         |     |          |      |          |     |          |      |          |     |          |   |          |   |         |   |          |   |         |   |      |   |         |   |      |   |  |   |      |   |  |  |  |   |
| 12            | 137        | 117.88   | 1.37                   | 14          | 117     | 100.36        | 1.61       | 16       | 101                    | 86.53       | 1.87    | 17       | 94    | 80.65    | 2.0  | 20       | 82    | 70.50    | 2.3  | 21       | 77    | 66.09    | 2.4  | 24       | 68    | 58.32    | 2.8  | 25       | 63    | 54.54    | 3.0  | 27       | 60    | 51.70    | 3.1  | 30       | 55    | 47.02    | 3.4  | 32       | 51    | 43.83    | 3.7  | 36       | 45    | 38.31    | 4.2  | 39       | 42    | 35.91    | 4.5  | 44       | 37    | 31.69    | 5.1  | 49       | 33    | 28.09    | 5.8  | 58       | 28    | 23.88    | 6.8  | 59       | 27    | 23.63    | 6.8  | 68       | 24    | 20.57    | 7.9  | 72       | 22    | 19.27    | 8.4  | 82       | 20    | 17.03    | 9.5  | 88       | 18    | 15.81    | 10.2 | 97       | 17    | 14.33    | 11   | 108      | 15    | 12.87    | 13   | 125      | 13    | 11.08    | 14   | 133      | 12    | 10.42    | 14   | 155      | 10    | 8.97     | 16   | 185      | 8.7   | 7.51     | 16   | 204      | 7.9   | 6.81     | 17   | 227      | 7.1   | 6.11     | 18   | 264      | 6.1   | 5.27     | 19   | 281      | 5.8   | 4.95     | 20   | 326      | 5.0   | 4.26     | 21   | 1.3      | 1605  | 1050     | 0.88 | 1.5      | 1387  | 907      | 1.02 | 1.7      | 1238  | 810      | 1.14 | 2.0      | 1085  | 710      | 1.30 | 2.3      | 917   | 600      | 1.54 | 2.6      | 803   | 525      | 1.76 | 3.0      | 717   | 469      | 1.97 | 3.4      | 630   | 412      | 2.2  | 2.2      | 980   | 641      | 0.79 | 2.4      | 874   | 572      | 0.88 | 2.7      | 778   | 509      | 0.99 | 3.2      | 668   | 437      | 1.15 | 2.8      | 764   | 500      | 1.01 | 3.1      | 694   | 454      | 1.11 | 3.5      | 599   | 392      | 1.29 | 4.2      | 509   | 333      | 1.51 | 4.7      | 454   | 297      | 1.70 | 5.3      | 399   | 261      | 1.93 | 5.8      | 364   | 238      | 2.1  | 3.6      | 582   | 387      | 0.95 | 4.2      | 504   | 330      | 1.12 | 5.6      | 381   | 249      | 1.48 | 3.6      | 584   | 382      | 0.97 | 4.2      | 505   | 330      | 1.12 | 4.7      | 456   | 298      | 1.24 | 5.3      | 401   | 262      | 1.41 | 6.2      | 345   | 226      | 1.63 | 7.0      | 306   | 200      | 1.84 | 8.4      | 254   | 166      | 2.2  | 6.1      | 347   | 227      | 1.08 | 6.4      | 330   | 216      | 1.14 | 7.2      | 294   | 192      | 1.28 | 8.0      | 264   | 173      | 1.42 | 6.0      | 352   | 230      | 1.07 | 6.4      | 330   | 216      | 1.14 | 7.4      | 287   | 188      | 1.31 | 7.9      | 269   | 176      | 1.40 | 9.4      | 226   | 148      | 1.66 | 11       | 199   | 130      | 1.89 | 10       | 203   | 133      | 0.92 | 11       | 197   | 129      | 0.95 | 12       | 180   | 118      | 1.04 | 14       | 150   | 98       | 1.25 | 16       | 133   | 87       | 1.41 | 0.16     | 13607 | 8901     | 0.83 | 0.18     | 11775 | 7703     | 0.96 | 0.21     | 10346 | 6768     | 1.09  | 0.23     | 9131  | 5973     | 1.24  | 0.27     | 7760 | 5076     | 1.45  | 0.31     | 6827 | 4466     | 1.7   | 0.24     | 8897 | 5820     | 0.83  | 0.27     | 7984 | 5223     | 0.92  | 0.30     | 6982  | 4567     | 1.06  | 0.40     | 5262  | 3442     | 1.40 | 0.46     | 4643  | 3037     | 1.59 | 0.50     | 4213  | 2756     | 1.75 | 0.59     | 3621  | 2369     | 2.0  | 0.67     | 3161  | 2068     | 2.3  | 0.87     | 2441 | 1597     | 3.0  | 0.99     | 2142 | 1401     | 3.4  | 3.0      | 744  | 281.71   | 1.9  | 3.2      | 694  | 262.93   | 2.0  | 3.8      | 596  | 225.79   | 2.4  | 4.3      | 524  | 198.31   | 2.7  | 4.5      | 497  | 188.40   | 2.8  | 0.47     | 4508 | 2949     | 0.90 | 0.54     | 3959 | 2590     | 1.02 | 0.61     | 3466 | 2267     | 1.17 | 0.63     | 3362 | 2199     | 1.20 | 0.80     | 2658 | 1739     | 1.52 | 0.90     | 2357 | 1542     | 1.71 | 1.0      | 2032 | 1329     | 2.0  | 1.2      | 1807 | 1182     | 2.2  | 1.3      | 1578 | 1032     | 2.6  | F 127R77 |      |          |      |          | 4    | F 107R77 |      |         |      |          | 4    | F 97R57 |      |          |      |          | 4    | F 77     |      |          |      |          | 6    |          |      |          |      |          |      |         |      |          |      |         |     |          |      |          |     |          |      |          |     |          |   |          |   |         |   |          |   |         |   |      |   |         |   |      |   |  |   |      |   |  |  |  |   |
| 14            | 117        | 100.36   | 1.61                   | 16          | 101     | 86.53         | 1.87       | 17       | 94                     | 80.65       | 2.0     | 20       | 82    | 70.50    | 2.3  | 21       | 77    | 66.09    | 2.4  | 24       | 68    | 58.32    | 2.8  | 25       | 63    | 54.54    | 3.0  | 27       | 60    | 51.70    | 3.1  | 30       | 55    | 47.02    | 3.4  | 32       | 51    | 43.83    | 3.7  | 36       | 45    | 38.31    | 4.2  | 39       | 42    | 35.91    | 4.5  | 44       | 37    | 31.69    | 5.1  | 49       | 33    | 28.09    | 5.8  | 58       | 28    | 23.88    | 6.8  | 59       | 27    | 23.63    | 6.8  | 68       | 24    | 20.57    | 7.9  | 72       | 22    | 19.27    | 8.4  | 82       | 20    | 17.03    | 9.5  | 88       | 18    | 15.81    | 10.2 | 97       | 17    | 14.33    | 11   | 108      | 15    | 12.87    | 13   | 125      | 13    | 11.08    | 14   | 133      | 12    | 10.42    | 14   | 155      | 10    | 8.97     | 16   | 185      | 8.7   | 7.51     | 16   | 204      | 7.9   | 6.81     | 17   | 227      | 7.1   | 6.11     | 18   | 264      | 6.1   | 5.27     | 19   | 281      | 5.8   | 4.95     | 20   | 326      | 5.0   | 4.26     | 21   | 1.3      | 1605  | 1050     | 0.88 | 1.5      | 1387  | 907      | 1.02 | 1.7      | 1238  | 810      | 1.14 | 2.0      | 1085  | 710      | 1.30 | 2.3      | 917   | 600      | 1.54 | 2.6      | 803   | 525      | 1.76 | 3.0      | 717   | 469      | 1.97 | 3.4      | 630   | 412      | 2.2  | 2.2      | 980   | 641      | 0.79 | 2.4      | 874   | 572      | 0.88 | 2.7      | 778   | 509      | 0.99 | 3.2      | 668   | 437      | 1.15 | 2.8      | 764   | 500      | 1.01 | 3.1      | 694   | 454      | 1.11 | 3.5      | 599   | 392      | 1.29 | 4.2      | 509   | 333      | 1.51 | 4.7      | 454   | 297      | 1.70 | 5.3      | 399   | 261      | 1.93 | 5.8      | 364   | 238      | 2.1  | 3.6      | 582   | 387      | 0.95 | 4.2      | 504   | 330      | 1.12 | 5.6      | 381   | 249      | 1.48 | 3.6      | 584   | 382      | 0.97 | 4.2      | 505   | 330      | 1.12 | 4.7      | 456   | 298      | 1.24 | 5.3      | 401   | 262      | 1.41 | 6.2      | 345   | 226      | 1.63 | 7.0      | 306   | 200      | 1.84 | 8.4      | 254   | 166      | 2.2  | 6.1      | 347   | 227      | 1.08 | 6.4      | 330   | 216      | 1.14 | 7.2      | 294   | 192      | 1.28 | 8.0      | 264   | 173      | 1.42 | 6.0      | 352   | 230      | 1.07 | 6.4      | 330   | 216      | 1.14 | 7.4      | 287   | 188      | 1.31 | 7.9      | 269   | 176      | 1.40 | 9.4      | 226   | 148      | 1.66 | 11       | 199   | 130      | 1.89 | 10       | 203   | 133      | 0.92 | 11       | 197   | 129      | 0.95 | 12       | 180   | 118      | 1.04 | 14       | 150   | 98       | 1.25 | 16       | 133   | 87       | 1.41 | 0.16     | 13607 | 8901     | 0.83 | 0.18     | 11775 | 7703     | 0.96 | 0.21     | 10346 | 6768     | 1.09 | 0.23     | 9131  | 5973     | 1.24  | 0.27     | 7760  | 5076     | 1.45  | 0.31     | 6827 | 4466     | 1.7   | 0.24     | 8897 | 5820     | 0.83  | 0.27     | 7984 | 5223     | 0.92  | 0.30     | 6982 | 4567     | 1.06  | 0.40     | 5262  | 3442     | 1.40  | 0.46     | 4643  | 3037     | 1.59 | 0.50     | 4213  | 2756     | 1.75 | 0.59     | 3621  | 2369     | 2.0  | 0.67     | 3161  | 2068     | 2.3  | 0.87     | 2441  | 1597     | 3.0  | 0.99     | 2142 | 1401     | 3.4  | 3.0      | 744  | 281.71   | 1.9  | 3.2      | 694  | 262.93   | 2.0  | 3.8      | 596  | 225.79   | 2.4  | 4.3      | 524  | 198.31   | 2.7  | 4.5      | 497  | 188.40   | 2.8  | 0.47     | 4508 | 2949     | 0.90 | 0.54     | 3959 | 2590     | 1.02 | 0.61     | 3466 | 2267     | 1.17 | 0.63     | 3362 | 2199     | 1.20 | 0.80     | 2658 | 1739     | 1.52 | 0.90     | 2357 | 1542     | 1.71 | 1.0      | 2032 | 1329     | 2.0  | 1.2      | 1807 | 1182     | 2.2  | 1.3      | 1578 | 1032     | 2.6  | F 127R77 |      |          |      |          | 4    | F 107R77 |      |          |      |          | 4    | F 97R57 |      |          |      |         | 4    | F 77     |      |          |      |          | 6    |          |      |          |      |          |      |          |      |          |      |         |      |          |      |         |     |          |      |          |     |          |      |          |     |          |   |          |   |         |   |          |   |         |   |      |   |         |   |      |   |  |   |      |   |  |  |  |   |
| 16            | 101        | 86.53    | 1.87                   | 17          | 94      | 80.65         | 2.0        | 20       | 82                     | 70.50       | 2.3     | 21       | 77    | 66.09    | 2.4  | 24       | 68    | 58.32    | 2.8  | 25       | 63    | 54.54    | 3.0  | 27       | 60    | 51.70    | 3.1  | 30       | 55    | 47.02    | 3.4  | 32       | 51    | 43.83    | 3.7  | 36       | 45    | 38.31    | 4.2  | 39       | 42    | 35.91    | 4.5  | 44       | 37    | 31.69    | 5.1  | 49       | 33    | 28.09    | 5.8  | 58       | 28    | 23.88    | 6.8  | 59       | 27    | 23.63    | 6.8  | 68       | 24    | 20.57    | 7.9  | 72       | 22    | 19.27    | 8.4  | 82       | 20    | 17.03    | 9.5  | 88       | 18    | 15.81    | 10.2 | 97       | 17    | 14.33    | 11   | 108      | 15    | 12.87    | 13   | 125      | 13    | 11.08    | 14   | 133      | 12    | 10.42    | 14   | 155      | 10    | 8.97     | 16   | 185      | 8.7   | 7.51     | 16   | 204      | 7.9   | 6.81     | 17   | 227      | 7.1   | 6.11     | 18   | 264      | 6.1   | 5.27     | 19   | 281      | 5.8   | 4.95     | 20   | 326      | 5.0   | 4.26     | 21   | 1.3      | 1605  | 1050     | 0.88 | 1.5      | 1387  | 907      | 1.02 | 1.7      | 1238  | 810      | 1.14 | 2.0      | 1085  | 710      | 1.30 | 2.3      | 917   | 600      | 1.54 | 2.6      | 803   | 525      | 1.76 | 3.0      | 717   | 469      | 1.97 | 3.4      | 630   | 412      | 2.2  | 2.2      | 980   | 641      | 0.79 | 2.4      | 874   | 572      | 0.88 | 2.7      | 778   | 509      | 0.99 | 3.2      | 668   | 437      | 1.15 | 2.8      | 764   | 500      | 1.01 | 3.1      | 694   | 454      | 1.11 | 3.5      | 599   | 392      | 1.29 | 4.2      | 509   | 333      | 1.51 | 4.7      | 454   | 297      | 1.70 | 5.3      | 399   | 261      | 1.93 | 5.8      | 364   | 238      | 2.1  | 3.6      | 582   | 387      | 0.95 | 4.2      | 504   | 330      | 1.12 | 5.6      | 381   | 249      | 1.48 | 3.6      | 584   | 382      | 0.97 | 4.2      | 505   | 330      | 1.12 | 4.7      | 456   | 298      | 1.24 | 5.3      | 401   | 262      | 1.41 | 6.2      | 345   | 226      | 1.63 | 7.0      | 306   | 200      | 1.84 | 8.4      | 254   | 166      | 2.2  | 6.1      | 347   | 227      | 1.08 | 6.4      | 330   | 216      | 1.14 | 7.2      | 294   | 192      | 1.28 | 8.0      | 264   | 173      | 1.42 | 6.0      | 352   | 230      | 1.07 | 6.4      | 330   | 216      | 1.14 | 7.4      | 287   | 188      | 1.31 | 7.9      | 269   | 176      | 1.40 | 9.4      | 226   | 148      | 1.66 | 11       | 199   | 130      | 1.89 | 10       | 203   | 133      | 0.92 | 11       | 197   | 129      | 0.95 | 12       | 180   | 118      | 1.04 | 14       | 150   | 98       | 1.25 | 16       | 133   | 87       | 1.41 | 0.16     | 13607 | 8901     | 0.83 | 0.18     | 11775 | 7703     | 0.96 | 0.21     | 10346 | 6768     | 1.09 | 0.23     | 9131  | 5973     | 1.24 | 0.27     | 7760  | 5076     | 1.45  | 0.31     | 6827  | 4466     | 1.7   | 0.24     | 8897 | 5820     | 0.83  | 0.27     | 7984 | 5223     | 0.92  | 0.30     | 6982 | 4567     | 1.06  | 0.40     | 5262 | 3442     | 1.40  | 0.46     | 4643  | 3037     | 1.59  | 0.50     | 4213  | 2756     | 1.75 | 0.59     | 3621  | 2369     | 2.0  | 0.67     | 3161  | 2068     | 2.3  | 0.87     | 2441  | 1597     | 3.0  | 0.99     | 2142  | 1401     | 3.4  | 3.0      | 744  | 281.71   | 1.9  | 3.2      | 694  | 262.93   | 2.0  | 3.8      | 596  | 225.79   | 2.4  | 4.3      | 524  | 198.31   | 2.7  | 4.5      | 497  | 188.40   | 2.8  | 0.47     | 4508 | 2949     | 0.90 | 0.54     | 3959 | 2590     | 1.02 | 0.61     | 3466 | 2267     | 1.17 | 0.63     | 3362 | 2199     | 1.20 | 0.80     | 2658 | 1739     | 1.52 | 0.90     | 2357 | 1542     | 1.71 | 1.0      | 2032 | 1329     | 2.0  | 1.2      | 1807 | 1182     | 2.2  | 1.3      | 1578 | 1032     | 2.6  | F 127R77 |      |          |      |          | 4    | F 107R77 |      |          |      |          | 4    | F 97R57  |      |          |      |         | 4    | F 77     |      |         |      |          | 6    |          |      |          |      |          |      |          |      |          |      |          |      |          |      |         |      |          |      |         |     |          |      |          |     |          |      |          |     |          |   |          |   |         |   |          |   |         |   |      |   |         |   |      |   |  |   |      |   |  |  |  |   |
| 17            | 94         | 80.65    | 2.0                    | 20          | 82      | 70.50         | 2.3        | 21       | 77                     | 66.09       | 2.4     | 24       | 68    | 58.32    | 2.8  | 25       | 63    | 54.54    | 3.0  | 27       | 60    | 51.70    | 3.1  | 30       | 55    | 47.02    | 3.4  | 32       | 51    | 43.83    | 3.7  | 36       | 45    | 38.31    | 4.2  | 39       | 42    | 35.91    | 4.5  | 44       | 37    | 31.69    | 5.1  | 49       | 33    | 28.09    | 5.8  | 58       | 28    | 23.88    | 6.8  | 59       | 27    | 23.63    | 6.8  | 68       | 24    | 20.57    | 7.9  | 72       | 22    | 19.27    | 8.4  | 82       | 20    | 17.03    | 9.5  | 88       | 18    | 15.81    | 10.2 | 97       | 17    | 14.33    | 11   | 108      | 15    | 12.87    | 13   | 125      | 13    | 11.08    | 14   | 133      | 12    | 10.42    | 14   | 155      | 10    | 8.97     | 16   | 185      | 8.7   | 7.51     | 16   | 204      | 7.9   | 6.81     | 17   | 227      | 7.1   | 6.11     | 18   | 264      | 6.1   | 5.27     | 19   | 281      | 5.8   | 4.95     | 20   | 326      | 5.0   | 4.26     | 21   | 1.3      | 1605  | 1050     | 0.88 | 1.5      | 1387  | 907      | 1.02 | 1.7      | 1238  | 810      | 1.14 | 2.0      | 1085  | 710      | 1.30 | 2.3      | 917   | 600      | 1.54 | 2.6      | 803   | 525      | 1.76 | 3.0      | 717   | 469      | 1.97 | 3.4      | 630   | 412      | 2.2  | 2.2      | 980   | 641      | 0.79 | 2.4      | 874   | 572      | 0.88 | 2.7      | 778   | 509      | 0.99 | 3.2      | 668   | 437      | 1.15 | 2.8      | 764   | 500      | 1.01 | 3.1      | 694   | 454      | 1.11 | 3.5      | 599   | 392      | 1.29 | 4.2      | 509   | 333      | 1.51 | 4.7      | 454   | 297      | 1.70 | 5.3      | 399   | 261      | 1.93 | 5.8      | 364   | 238      | 2.1  | 3.6      | 582   | 387      | 0.95 | 4.2      | 504   | 330      | 1.12 | 5.6      | 381   | 249      | 1.48 | 3.6      | 584   | 382      | 0.97 | 4.2      | 505   | 330      | 1.12 | 4.7      | 456   | 298      | 1.24 | 5.3      | 401   | 262      | 1.41 | 6.2      | 345   | 226      | 1.63 | 7.0      | 306   | 200      | 1.84 | 8.4      | 254   | 166      | 2.2  | 6.1      | 347   | 227      | 1.08 | 6.4      | 330   | 216      | 1.14 | 7.2      | 294   | 192      | 1.28 | 8.0      | 264   | 173      | 1.42 | 6.0      | 352   | 230      | 1.07 | 6.4      | 330   | 216      | 1.14 | 7.4      | 287   | 188      | 1.31 | 7.9      | 269   | 176      | 1.40 | 9.4      | 226   | 148      | 1.66 | 11       | 199   | 130      | 1.89 | 10       | 203   | 133      | 0.92 | 11       | 197   | 129      | 0.95 | 12       | 180   | 118      | 1.04 | 14       | 150   | 98       | 1.25 | 16       | 133   | 87       | 1.41 | 0.16     | 13607 | 8901     | 0.83 | 0.18     | 11775 | 7703     | 0.96 | 0.21     | 10346 | 6768     | 1.09 | 0.23     | 9131  | 5973     | 1.24 | 0.27     | 7760  | 5076     | 1.45 | 0.31     | 6827  | 4466     | 1.7   | 0.24     | 8897  | 5820     | 0.83  | 0.27     | 7984 | 5223     | 0.92  | 0.30     | 6982 | 4567     | 1.06  | 0.40     | 5262 | 3442     | 1.40  | 0.46     | 4643 | 3037     | 1.59  | 0.50     | 4213  | 2756     | 1.75  | 0.59     | 3621  | 2369     | 2.0  | 0.67     | 3161  | 2068     | 2.3  | 0.87     | 2441  | 1597     | 3.0  | 0.99     | 2142  | 1401     | 3.4  | 3.0      | 744   | 281.71   | 1.9  | 3.2      | 694  | 262.93   | 2.0  | 3.8      | 596  | 225.79   | 2.4  | 4.3      | 524  | 198.31   | 2.7  | 4.5      | 497  | 188.40   | 2.8  | 0.47     | 4508 | 2949     | 0.90 | 0.54     | 3959 | 2590     | 1.02 | 0.61     | 3466 | 2267     | 1.17 | 0.63     | 3362 | 2199     | 1.20 | 0.80     | 2658 | 1739     | 1.52 | 0.90     | 2357 | 1542     | 1.71 | 1.0      | 2032 | 1329     | 2.0  | 1.2      | 1807 | 1182     | 2.2  | 1.3      | 1578 | 1032     | 2.6  | F 127R77 |      |          |      |          | 4    | F 107R77 |      |          |      |          | 4    | F 97R57  |      |          |      |          | 4    | F 77     |      |         |      |          | 6    |         |      |          |      |          |      |          |      |          |      |          |      |          |      |          |      |          |      |         |      |          |      |         |     |          |      |          |     |          |      |          |     |          |   |          |   |         |   |          |   |         |   |      |   |         |   |      |   |  |   |      |   |  |  |  |   |
| 20            | 82         | 70.50    | 2.3                    | 21          | 77      | 66.09         | 2.4        | 24       | 68                     | 58.32       | 2.8     | 25       | 63    | 54.54    | 3.0  | 27       | 60    | 51.70    | 3.1  | 30       | 55    | 47.02    | 3.4  | 32       | 51    | 43.83    | 3.7  | 36       | 45    | 38.31    | 4.2  | 39       | 42    | 35.91    | 4.5  | 44       | 37    | 31.69    | 5.1  | 49       | 33    | 28.09    | 5.8  | 58       | 28    | 23.88    | 6.8  | 59       | 27    | 23.63    | 6.8  | 68       | 24    | 20.57    | 7.9  | 72       | 22    | 19.27    | 8.4  | 82       | 20    | 17.03    | 9.5  | 88       | 18    | 15.81    | 10.2 | 97       | 17    | 14.33    | 11   | 108      | 15    | 12.87    | 13   | 125      | 13    | 11.08    | 14   | 133      | 12    | 10.42    | 14   | 155      | 10    | 8.97     | 16   | 185      | 8.7   | 7.51     | 16   | 204      | 7.9   | 6.81     | 17   | 227      | 7.1   | 6.11     | 18   | 264      | 6.1   | 5.27     | 19   | 281      | 5.8   | 4.95     | 20   | 326      | 5.0   | 4.26     | 21   | 1.3      | 1605  | 1050     | 0.88 | 1.5      | 1387  | 907      | 1.02 | 1.7      | 1238  | 810      | 1.14 | 2.0      | 1085  | 710      | 1.30 | 2.3      | 917   | 600      | 1.54 | 2.6      | 803   | 525      | 1.76 | 3.0      | 717   | 469      | 1.97 | 3.4      | 630   | 412      | 2.2  | 2.2      | 980   | 641      | 0.79 | 2.4      | 874   | 572      | 0.88 | 2.7      | 778   | 509      | 0.99 | 3.2      | 668   | 437      | 1.15 | 2.8      | 764   | 500      | 1.01 | 3.1      | 694   | 454      | 1.11 | 3.5      | 599   | 392      | 1.29 | 4.2      | 509   | 333      | 1.51 | 4.7      | 454   | 297      | 1.70 | 5.3      | 399   | 261      | 1.93 | 5.8      | 364   | 238      | 2.1  | 3.6      | 582   | 387      | 0.95 | 4.2      | 504   | 330      | 1.12 | 5.6      | 381   | 249      | 1.48 | 3.6      | 584   | 382      | 0.97 | 4.2      | 505   | 330      | 1.12 | 4.7      | 456   | 298      | 1.24 | 5.3      | 401   | 262      | 1.41 | 6.2      | 345   | 226      | 1.63 | 7.0      | 306   | 200      | 1.84 | 8.4      | 254   | 166      | 2.2  | 6.1      | 347   | 227      | 1.08 | 6.4      | 330   | 216      | 1.14 | 7.2      | 294   | 192      | 1.28 | 8.0      | 264   | 173      | 1.42 | 6.0      | 352   | 230      | 1.07 | 6.4      | 330   | 216      | 1.14 | 7.4      | 287   | 188      | 1.31 | 7.9      | 269   | 176      | 1.40 | 9.4      | 226   | 148      | 1.66 | 11       | 199   | 130      | 1.89 | 10       | 203   | 133      | 0.92 | 11       | 197   | 129      | 0.95 | 12       | 180   | 118      | 1.04 | 14       | 150   | 98       | 1.25 | 16       | 133   | 87       | 1.41 | 0.16     | 13607 | 8901     | 0.83 | 0.18     | 11775 | 7703     | 0.96 | 0.21     | 10346 | 6768     | 1.09 | 0.23     | 9131  | 5973     | 1.24 | 0.27     | 7760  | 5076     | 1.45 | 0.31     | 6827  | 4466     | 1.7  | 0.24     | 8897  | 5820     | 0.83  | 0.27     | 7984  | 5223     | 0.92  | 0.30     | 6982 | 4567     | 1.06  | 0.40     | 5262 | 3442     | 1.40  | 0.46     | 4643 | 3037     | 1.59  | 0.50     | 4213 | 2756     | 1.75  | 0.59     | 3621  | 2369     | 2.0   | 0.67     | 3161  | 2068     | 2.3  | 0.87     | 2441  | 1597     | 3.0  | 0.99     | 2142  | 1401     | 3.4  | 3.0      | 744   | 281.71   | 1.9  | 3.2      | 694   | 262.93   | 2.0  | 3.8      | 596  | 225.79   | 2.4  | 4.3      | 524  | 198.31   | 2.7  | 4.5      | 497  | 188.40   | 2.8  | 0.47     | 4508 | 2949     | 0.90 | 0.54     | 3959 | 2590     | 1.02 | 0.61     | 3466 | 2267     | 1.17 | 0.63     | 3362 | 2199     | 1.20 | 0.80     | 2658 | 1739     | 1.52 | 0.90     | 2357 | 1542     | 1.71 | 1.0      | 2032 | 1329     | 2.0  | 1.2      | 1807 | 1182     | 2.2  | 1.3      | 1578 | 1032     | 2.6  | F 127R77 |      |          |      |          | 4    | F 107R77 |      |          |      |          | 4    | F 97R57  |      |          |      |          | 4    | F 77     |      |          |      |          | 6    |         |      |          |      |         |      |          |      |          |      |          |      |          |      |          |      |          |      |          |      |          |      |         |      |          |      |         |     |          |      |          |     |          |      |          |     |          |   |          |   |         |   |          |   |         |   |      |   |         |   |      |   |  |   |      |   |  |  |  |   |
| 21            | 77         | 66.09    | 2.4                    | 24          | 68      | 58.32         | 2.8        | 25       | 63                     | 54.54       | 3.0     | 27       | 60    | 51.70    | 3.1  | 30       | 55    | 47.02    | 3.4  | 32       | 51    | 43.83    | 3.7  | 36       | 45    | 38.31    | 4.2  | 39       | 42    | 35.91    | 4.5  | 44       | 37    | 31.69    | 5.1  | 49       | 33    | 28.09    | 5.8  | 58       | 28    | 23.88    | 6.8  | 59       | 27    | 23.63    | 6.8  | 68       | 24    | 20.57    | 7.9  | 72       | 22    | 19.27    | 8.4  | 82       | 20    | 17.03    | 9.5  | 88       | 18    | 15.81    | 10.2 | 97       | 17    | 14.33    | 11   | 108      | 15    | 12.87    | 13   | 125      | 13    | 11.08    | 14   | 133      | 12    | 10.42    | 14   | 155      | 10    | 8.97     | 16   | 185      | 8.7   | 7.51     | 16   | 204      | 7.9   | 6.81     | 17   | 227      | 7.1   | 6.11     | 18   | 264      | 6.1   | 5.27     | 19   | 281      | 5.8   | 4.95     | 20   | 326      | 5.0   | 4.26     | 21   | 1.3      | 1605  | 1050     | 0.88 | 1.5      | 1387  | 907      | 1.02 | 1.7      | 1238  | 810      | 1.14 | 2.0      | 1085  | 710      | 1.30 | 2.3      | 917   | 600      | 1.54 | 2.6      | 803   | 525      | 1.76 | 3.0      | 717   | 469      | 1.97 | 3.4      | 630   | 412      | 2.2  | 2.2      | 980   | 641      | 0.79 | 2.4      | 874   | 572      | 0.88 | 2.7      | 778   | 509      | 0.99 | 3.2      | 668   | 437      | 1.15 | 2.8      | 764   | 500      | 1.01 | 3.1      | 694   | 454      | 1.11 | 3.5      | 599   | 392      | 1.29 | 4.2      | 509   | 333      | 1.51 | 4.7      | 454   | 297      | 1.70 | 5.3      | 399   | 261      | 1.93 | 5.8      | 364   | 238      | 2.1  | 3.6      | 582   | 387      | 0.95 | 4.2      | 504   | 330      | 1.12 | 5.6      | 381   | 249      | 1.48 | 3.6      | 584   | 382      | 0.97 | 4.2      | 505   | 330      | 1.12 | 4.7      | 456   | 298      | 1.24 | 5.3      | 401   | 262      | 1.41 | 6.2      | 345   | 226      | 1.63 | 7.0      | 306   | 200      | 1.84 | 8.4      | 254   | 166      | 2.2  | 6.1      | 347   | 227      | 1.08 | 6.4      | 330   | 216      | 1.14 | 7.2      | 294   | 192      | 1.28 | 8.0      | 264   | 173      | 1.42 | 6.0      | 352   | 230      | 1.07 | 6.4      | 330   | 216      | 1.14 | 7.4      | 287   | 188      | 1.31 | 7.9      | 269   | 176      | 1.40 | 9.4      | 226   | 148      | 1.66 | 11       | 199   | 130      | 1.89 | 10       | 203   | 133      | 0.92 | 11       | 197   | 129      | 0.95 | 12       | 180   | 118      | 1.04 | 14       | 150   | 98       | 1.25 | 16       | 133   | 87       | 1.41 | 0.16     | 13607 | 8901     | 0.83 | 0.18     | 11775 | 7703     | 0.96 | 0.21     | 10346 | 6768     | 1.09 | 0.23     | 9131  | 5973     | 1.24 | 0.27     | 7760  | 5076     | 1.45 | 0.31     | 6827  | 4466     | 1.7  | 0.24     | 8897  | 5820     | 0.83 | 0.27     | 7984  | 5223     | 0.92  | 0.30     | 6982  | 4567     | 1.06  | 0.40     | 5262 | 3442     | 1.40  | 0.46     | 4643 | 3037     | 1.59  | 0.50     | 4213 | 2756     | 1.75  | 0.59     | 3621 | 2369     | 2.0   | 0.67     | 3161  | 2068     | 2.3   | 0.87     | 2441  | 1597     | 3.0  | 0.99     | 2142  | 1401     | 3.4  | 3.0      | 744   | 281.71   | 1.9  | 3.2      | 694   | 262.93   | 2.0  | 3.8      | 596   | 225.79   | 2.4  | 4.3      | 524  | 198.31   | 2.7  | 4.5      | 497  | 188.40   | 2.8  | 0.47     | 4508 | 2949     | 0.90 | 0.54     | 3959 | 2590     | 1.02 | 0.61     | 3466 | 2267     | 1.17 | 0.63     | 3362 | 2199     | 1.20 | 0.80     | 2658 | 1739     | 1.52 | 0.90     | 2357 | 1542     | 1.71 | 1.0      | 2032 | 1329     | 2.0  | 1.2      | 1807 | 1182     | 2.2  | 1.3      | 1578 | 1032     | 2.6  | F 127R77 |      |          |      |          | 4    | F 107R77 |      |          |      |          | 4    | F 97R57  |      |          |      |          | 4    | F 77     |      |          |      |          | 6    |          |      |          |      |         |      |          |      |         |      |          |      |          |      |          |      |          |      |          |      |          |      |          |      |          |      |         |      |          |      |         |     |          |      |          |     |          |      |          |     |          |   |          |   |         |   |          |   |         |   |      |   |         |   |      |   |  |   |      |   |  |  |  |   |
| 24            | 68         | 58.32    | 2.8                    | 25          | 63      | 54.54         | 3.0        | 27       | 60                     | 51.70       | 3.1     | 30       | 55    | 47.02    | 3.4  | 32       | 51    | 43.83    | 3.7  | 36       | 45    | 38.31    | 4.2  | 39       | 42    | 35.91    | 4.5  | 44       | 37    | 31.69    | 5.1  | 49       | 33    | 28.09    | 5.8  | 58       | 28    | 23.88    | 6.8  | 59       | 27    | 23.63    | 6.8  | 68       | 24    | 20.57    | 7.9  | 72       | 22    | 19.27    | 8.4  | 82       | 20    | 17.03    | 9.5  | 88       | 18    | 15.81    | 10.2 | 97       | 17    | 14.33    | 11   | 108      | 15    | 12.87    | 13   | 125      | 13    | 11.08    | 14   | 133      | 12    | 10.42    | 14   | 155      | 10    | 8.97     | 16   | 185      | 8.7   | 7.51     | 16   | 204      | 7.9   | 6.81     | 17   | 227      | 7.1   | 6.11     | 18   | 264      | 6.1   | 5.27     | 19   | 281      | 5.8   | 4.95     | 20   | 326      | 5.0   | 4.26     | 21   | 1.3      | 1605  | 1050     | 0.88 | 1.5      | 1387  | 907      | 1.02 | 1.7      | 1238  | 810      | 1.14 | 2.0      | 1085  | 710      | 1.30 | 2.3      | 917   | 600      | 1.54 | 2.6      | 803   | 525      | 1.76 | 3.0      | 717   | 469      | 1.97 | 3.4      | 630   | 412      | 2.2  | 2.2      | 980   | 641      | 0.79 | 2.4      | 874   | 572      | 0.88 | 2.7      | 778   | 509      | 0.99 | 3.2      | 668   | 437      | 1.15 | 2.8      | 764   | 500      | 1.01 | 3.1      | 694   | 454      | 1.11 | 3.5      | 599   | 392      | 1.29 | 4.2      | 509   | 333      | 1.51 | 4.7      | 454   | 297      | 1.70 | 5.3      | 399   | 261      | 1.93 | 5.8      | 364   | 238      | 2.1  | 3.6      | 582   | 387      | 0.95 | 4.2      | 504   | 330      | 1.12 | 5.6      | 381   | 249      | 1.48 | 3.6      | 584   | 382      | 0.97 | 4.2      | 505   | 330      | 1.12 | 4.7      | 456   | 298      | 1.24 | 5.3      | 401   | 262      | 1.41 | 6.2      | 345   | 226      | 1.63 | 7.0      | 306   | 200      | 1.84 | 8.4      | 254   | 166      | 2.2  | 6.1      | 347   | 227      | 1.08 | 6.4      | 330   | 216      | 1.14 | 7.2      | 294   | 192      | 1.28 | 8.0      | 264   | 173      | 1.42 | 6.0      | 352   | 230      | 1.07 | 6.4      | 330   | 216      | 1.14 | 7.4      | 287   | 188      | 1.31 | 7.9      | 269   | 176      | 1.40 | 9.4      | 226   | 148      | 1.66 | 11       | 199   | 130      | 1.89 | 10       | 203   | 133      | 0.92 | 11       | 197   | 129      | 0.95 | 12       | 180   | 118      | 1.04 | 14       | 150   | 98       | 1.25 | 16       | 133   | 87       | 1.41 | 0.16     | 13607 | 8901     | 0.83 | 0.18     | 11775 | 7703     | 0.96 | 0.21     | 10346 | 6768     | 1.09 | 0.23     | 9131  | 5973     | 1.24 | 0.27     | 7760  | 5076     | 1.45 | 0.31     | 6827  | 4466     | 1.7  | 0.24     | 8897  | 5820     | 0.83 | 0.27     | 7984  | 5223     | 0.92 | 0.30     | 6982  | 4567     | 1.06  | 0.40     | 5262  | 3442     | 1.40  | 0.46     | 4643 | 3037     | 1.59  | 0.50     | 4213 | 2756     | 1.75  | 0.59     | 3621 | 2369     | 2.0   | 0.67     | 3161 | 2068     | 2.3   | 0.87     | 2441  | 1597     | 3.0   | 0.99     | 2142  | 1401     | 3.4  | 3.0      | 744   | 281.71   | 1.9  | 3.2      | 694   | 262.93   | 2.0  | 3.8      | 596   | 225.79   | 2.4  | 4.3      | 524   | 198.31   | 2.7  | 4.5      | 497  | 188.40   | 2.8  | 0.47     | 4508 | 2949     | 0.90 | 0.54     | 3959 | 2590     | 1.02 | 0.61     | 3466 | 2267     | 1.17 | 0.63     | 3362 | 2199     | 1.20 | 0.80     | 2658 | 1739     | 1.52 | 0.90     | 2357 | 1542     | 1.71 | 1.0      | 2032 | 1329     | 2.0  | 1.2      | 1807 | 1182     | 2.2  | 1.3      | 1578 | 1032     | 2.6  | F 127R77 |      |          |      |          | 4    | F 107R77 |      |          |      |          | 4    | F 97R57  |      |          |      |          | 4    | F 77     |      |          |      |          | 6    |          |      |          |      |          |      |          |      |         |      |          |      |         |      |          |      |          |      |          |      |          |      |          |      |          |      |          |      |          |      |         |      |          |      |         |     |          |      |          |     |          |      |          |     |          |   |          |   |         |   |          |   |         |   |      |   |         |   |      |   |  |   |      |   |  |  |  |   |
| 25            | 63         | 54.54    | 3.0                    | 27          | 60      | 51.70         | 3.1        | 30       | 55                     | 47.02       | 3.4     | 32       | 51    | 43.83    | 3.7  | 36       | 45    | 38.31    | 4.2  | 39       | 42    | 35.91    | 4.5  | 44       | 37    | 31.69    | 5.1  | 49       | 33    | 28.09    | 5.8  | 58       | 28    | 23.88    | 6.8  | 59       | 27    | 23.63    | 6.8  | 68       | 24    | 20.57    | 7.9  | 72       | 22    | 19.27    | 8.4  | 82       | 20    | 17.03    | 9.5  | 88       | 18    | 15.81    | 10.2 | 97       | 17    | 14.33    | 11   | 108      | 15    | 12.87    | 13   | 125      | 13    | 11.08    | 14   | 133      | 12    | 10.42    | 14   | 155      | 10    | 8.97     | 16   | 185      | 8.7   | 7.51     | 16   | 204      | 7.9   | 6.81     | 17   | 227      | 7.1   | 6.11     | 18   | 264      | 6.1   | 5.27     | 19   | 281      | 5.8   | 4.95     | 20   | 326      | 5.0   | 4.26     | 21   | 1.3      | 1605  | 1050     | 0.88 | 1.5      | 1387  | 907      | 1.02 | 1.7      | 1238  | 810      | 1.14 | 2.0      | 1085  | 710      | 1.30 | 2.3      | 917   | 600      | 1.54 | 2.6      | 803   | 525      | 1.76 | 3.0      | 717   | 469      | 1.97 | 3.4      | 630   | 412      | 2.2  | 2.2      | 980   | 641      | 0.79 | 2.4      | 874   | 572      | 0.88 | 2.7      | 778   | 509      | 0.99 | 3.2      | 668   | 437      | 1.15 | 2.8      | 764   | 500      | 1.01 | 3.1      | 694   | 454      | 1.11 | 3.5      | 599   | 392      | 1.29 | 4.2      | 509   | 333      | 1.51 | 4.7      | 454   | 297      | 1.70 | 5.3      | 399   | 261      | 1.93 | 5.8      | 364   | 238      | 2.1  | 3.6      | 582   | 387      | 0.95 | 4.2      | 504   | 330      | 1.12 | 5.6      | 381   | 249      | 1.48 | 3.6      | 584   | 382      | 0.97 | 4.2      | 505   | 330      | 1.12 | 4.7      | 456   | 298      | 1.24 | 5.3      | 401   | 262      | 1.41 | 6.2      | 345   | 226      | 1.63 | 7.0      | 306   | 200      | 1.84 | 8.4      | 254   | 166      | 2.2  | 6.1      | 347   | 227      | 1.08 | 6.4      | 330   | 216      | 1.14 | 7.2      | 294   | 192      | 1.28 | 8.0      | 264   | 173      | 1.42 | 6.0      | 352   | 230      | 1.07 | 6.4      | 330   | 216      | 1.14 | 7.4      | 287   | 188      | 1.31 | 7.9      | 269   | 176      | 1.40 | 9.4      | 226   | 148      | 1.66 | 11       | 199   | 130      | 1.89 | 10       | 203   | 133      | 0.92 | 11       | 197   | 129      | 0.95 | 12       | 180   | 118      | 1.04 | 14       | 150   | 98       | 1.25 | 16       | 133   | 87       | 1.41 | 0.16     | 13607 | 8901     | 0.83 | 0.18     | 11775 | 7703     | 0.96 | 0.21     | 10346 | 6768     | 1.09 | 0.23     | 9131  | 5973     | 1.24 | 0.27     | 7760  | 5076     | 1.45 | 0.31     | 6827  | 4466     | 1.7  | 0.24     | 8897  | 5820     | 0.83 | 0.27     | 7984  | 5223     | 0.92 | 0.30     | 6982  | 4567     | 1.06 | 0.40     | 5262  | 3442     | 1.40  | 0.46     | 4643  | 3037     | 1.59  | 0.50     | 4213 | 2756     | 1.75  | 0.59     | 3621 | 2369     | 2.0   | 0.67     | 3161 | 2068     | 2.3   | 0.87     | 2441 | 1597     | 3.0   | 0.99     | 2142  | 1401     | 3.4   | 3.0      | 744   | 281.71   | 1.9  | 3.2      | 694   | 262.93   | 2.0  | 3.8      | 596   | 225.79   | 2.4  | 4.3      | 524   | 198.31   | 2.7  | 4.5      | 497   | 188.40   | 2.8  | 0.47     | 4508 | 2949     | 0.90 | 0.54     | 3959 | 2590     | 1.02 | 0.61     | 3466 | 2267     | 1.17 | 0.63     | 3362 | 2199     | 1.20 | 0.80     | 2658 | 1739     | 1.52 | 0.90     | 2357 | 1542     | 1.71 | 1.0      | 2032 | 1329     | 2.0  | 1.2      | 1807 | 1182     | 2.2  | 1.3      | 1578 | 1032     | 2.6  | F 127R77 |      |          |      |          | 4    | F 107R77 |      |          |      |          | 4    | F 97R57  |      |          |      |          | 4    | F 77     |      |          |      |          | 6    |          |      |          |      |          |      |          |      |          |      |          |      |         |      |          |      |         |      |          |      |          |      |          |      |          |      |          |      |          |      |          |      |          |      |         |      |          |      |         |     |          |      |          |     |          |      |          |     |          |   |          |   |         |   |          |   |         |   |      |   |         |   |      |   |  |   |      |   |  |  |  |   |
| 27            | 60         | 51.70    | 3.1                    | 30          | 55      | 47.02         | 3.4        | 32       | 51                     | 43.83       | 3.7     | 36       | 45    | 38.31    | 4.2  | 39       | 42    | 35.91    | 4.5  | 44       | 37    | 31.69    | 5.1  | 49       | 33    | 28.09    | 5.8  | 58       | 28    | 23.88    | 6.8  | 59       | 27    | 23.63    | 6.8  | 68       | 24    | 20.57    | 7.9  | 72       | 22    | 19.27    | 8.4  | 82       | 20    | 17.03    | 9.5  | 88       | 18    | 15.81    | 10.2 | 97       | 17    | 14.33    | 11   | 108      | 15    | 12.87    | 13   | 125      | 13    | 11.08    | 14   | 133      | 12    | 10.42    | 14   | 155      | 10    | 8.97     | 16   | 185      | 8.7   | 7.51     | 16   | 204      | 7.9   | 6.81     | 17   | 227      | 7.1   | 6.11     | 18   | 264      | 6.1   | 5.27     | 19   | 281      | 5.8   | 4.95     | 20   | 326      | 5.0   | 4.26     | 21   | 1.3      | 1605  | 1050     | 0.88 | 1.5      | 1387  | 907      | 1.02 | 1.7      | 1238  | 810      | 1.14 | 2.0      | 1085  | 710      | 1.30 | 2.3      | 917   | 600      | 1.54 | 2.6      | 803   | 525      | 1.76 | 3.0      | 717   | 469      | 1.97 | 3.4      | 630   | 412      | 2.2  | 2.2      | 980   | 641      | 0.79 | 2.4      | 874   | 572      | 0.88 | 2.7      | 778   | 509      | 0.99 | 3.2      | 668   | 437      | 1.15 | 2.8      | 764   | 500      | 1.01 | 3.1      | 694   | 454      | 1.11 | 3.5      | 599   | 392      | 1.29 | 4.2      | 509   | 333      | 1.51 | 4.7      | 454   | 297      | 1.70 | 5.3      | 399   | 261      | 1.93 | 5.8      | 364   | 238      | 2.1  | 3.6      | 582   | 387      | 0.95 | 4.2      | 504   | 330      | 1.12 | 5.6      | 381   | 249      | 1.48 | 3.6      | 584   | 382      | 0.97 | 4.2      | 505   | 330      | 1.12 | 4.7      | 456   | 298      | 1.24 | 5.3      | 401   | 262      | 1.41 | 6.2      | 345   | 226      | 1.63 | 7.0      | 306   | 200      | 1.84 | 8.4      | 254   | 166      | 2.2  | 6.1      | 347   | 227      | 1.08 | 6.4      | 330   | 216      | 1.14 | 7.2      | 294   | 192      | 1.28 | 8.0      | 264   | 173      | 1.42 | 6.0      | 352   | 230      | 1.07 | 6.4      | 330   | 216      | 1.14 | 7.4      | 287   | 188      | 1.31 | 7.9      | 269   | 176      | 1.40 | 9.4      | 226   | 148      | 1.66 | 11       | 199   | 130      | 1.89 | 10       | 203   | 133      | 0.92 | 11       | 197   | 129      | 0.95 | 12       | 180   | 118      | 1.04 | 14       | 150   | 98       | 1.25 | 16       | 133   | 87       | 1.41 | 0.16     | 13607 | 8901     | 0.83 | 0.18     | 11775 | 7703     | 0.96 | 0.21     | 10346 | 6768     | 1.09 | 0.23     | 9131  | 5973     | 1.24 | 0.27     | 7760  | 5076     | 1.45 | 0.31     | 6827  | 4466     | 1.7  | 0.24     | 8897  | 5820     | 0.83 | 0.27     | 7984  | 5223     | 0.92 | 0.30     | 6982  | 4567     | 1.06 | 0.40     | 5262  | 3442     | 1.40 | 0.46     | 4643  | 3037     | 1.59  | 0.50     | 4213  | 2756     | 1.75  | 0.59     | 3621 | 2369     | 2.0   | 0.67     | 3161 | 2068     | 2.3   | 0.87     | 2441 | 1597     | 3.0   | 0.99     | 2142 | 1401     | 3.4   | 3.0      | 744   | 281.71   | 1.9   | 3.2      | 694   | 262.93   | 2.0  | 3.8      | 596   | 225.79   | 2.4  | 4.3      | 524   | 198.31   | 2.7  | 4.5      | 497   | 188.40   | 2.8  | 0.47     | 4508  | 2949     | 0.90 | 0.54     | 3959 | 2590     | 1.02 | 0.61     | 3466 | 2267     | 1.17 | 0.63     | 3362 | 2199     | 1.20 | 0.80     | 2658 | 1739     | 1.52 | 0.90     | 2357 | 1542     | 1.71 | 1.0      | 2032 | 1329     | 2.0  | 1.2      | 1807 | 1182     | 2.2  | 1.3      | 1578 | 1032     | 2.6  | F 127R77 |      |          |      |          | 4    | F 107R77 |      |          |      |          | 4    | F 97R57  |      |          |      |          | 4    | F 77     |      |          |      |          | 6    |          |      |          |      |          |      |          |      |          |      |          |      |          |      |          |      |         |      |          |      |         |      |          |      |          |      |          |      |          |      |          |      |          |      |          |      |          |      |         |      |          |      |         |     |          |      |          |     |          |      |          |     |          |   |          |   |         |   |          |   |         |   |      |   |         |   |      |   |  |   |      |   |  |  |  |   |
| 30            | 55         | 47.02    | 3.4                    | 32          | 51      | 43.83         | 3.7        | 36       | 45                     | 38.31       | 4.2     | 39       | 42    | 35.91    | 4.5  | 44       | 37    | 31.69    | 5.1  | 49       | 33    | 28.09    | 5.8  | 58       | 28    | 23.88    | 6.8  | 59       | 27    | 23.63    | 6.8  | 68       | 24    | 20.57    | 7.9  | 72       | 22    | 19.27    | 8.4  | 82       | 20    | 17.03    | 9.5  | 88       | 18    | 15.81    | 10.2 | 97       | 17    | 14.33    | 11   | 108      | 15    | 12.87    | 13   | 125      | 13    | 11.08    | 14   | 133      | 12    | 10.42    | 14   | 155      | 10    | 8.97     | 16   | 185      | 8.7   | 7.51     | 16   | 204      | 7.9   | 6.81     | 17   | 227      | 7.1   | 6.11     | 18   | 264      | 6.1   | 5.27     | 19   | 281      | 5.8   | 4.95     | 20   | 326      | 5.0   | 4.26     | 21   | 1.3      | 1605  | 1050     | 0.88 | 1.5      | 1387  | 907      | 1.02 | 1.7      | 1238  | 810      | 1.14 | 2.0      | 1085  | 710      | 1.30 | 2.3      | 917   | 600      | 1.54 | 2.6      | 803   | 525      | 1.76 | 3.0      | 717   | 469      | 1.97 | 3.4      | 630   | 412      | 2.2  | 2.2      | 980   | 641      | 0.79 | 2.4      | 874   | 572      | 0.88 | 2.7      | 778   | 509      | 0.99 | 3.2      | 668   | 437      | 1.15 | 2.8      | 764   | 500      | 1.01 | 3.1      | 694   | 454      | 1.11 | 3.5      | 599   | 392      | 1.29 | 4.2      | 509   | 333      | 1.51 | 4.7      | 454   | 297      | 1.70 | 5.3      | 399   | 261      | 1.93 | 5.8      | 364   | 238      | 2.1  | 3.6      | 582   | 387      | 0.95 | 4.2      | 504   | 330      | 1.12 | 5.6      | 381   | 249      | 1.48 | 3.6      | 584   | 382      | 0.97 | 4.2      | 505   | 330      | 1.12 | 4.7      | 456   | 298      | 1.24 | 5.3      | 401   | 262      | 1.41 | 6.2      | 345   | 226      | 1.63 | 7.0      | 306   | 200      | 1.84 | 8.4      | 254   | 166      | 2.2  | 6.1      | 347   | 227      | 1.08 | 6.4      | 330   | 216      | 1.14 | 7.2      | 294   | 192      | 1.28 | 8.0      | 264   | 173      | 1.42 | 6.0      | 352   | 230      | 1.07 | 6.4      | 330   | 216      | 1.14 | 7.4      | 287   | 188      | 1.31 | 7.9      | 269   | 176      | 1.40 | 9.4      | 226   | 148      | 1.66 | 11       | 199   | 130      | 1.89 | 10       | 203   | 133      | 0.92 | 11       | 197   | 129      | 0.95 | 12       | 180   | 118      | 1.04 | 14       | 150   | 98       | 1.25 | 16       | 133   | 87       | 1.41 | 0.16     | 13607 | 8901     | 0.83 | 0.18     | 11775 | 7703     | 0.96 | 0.21     | 10346 | 6768     | 1.09 | 0.23     | 9131  | 5973     | 1.24 | 0.27     | 7760  | 5076     | 1.45 | 0.31     | 6827  | 4466     | 1.7  | 0.24     | 8897  | 5820     | 0.83 | 0.27     | 7984  | 5223     | 0.92 | 0.30     | 6982  | 4567     | 1.06 | 0.40     | 5262  | 3442     | 1.40 | 0.46     | 4643  | 3037     | 1.59 | 0.50     | 4213  | 2756     | 1.75  | 0.59     | 3621  | 2369     | 2.0   | 0.67     | 3161 | 2068     | 2.3   | 0.87     | 2441 | 1597     | 3.0   | 0.99     | 2142 | 1401     | 3.4   | 3.0      | 744  | 281.71   | 1.9   | 3.2      | 694   | 262.93   | 2.0   | 3.8      | 596   | 225.79   | 2.4  | 4.3      | 524   | 198.31   | 2.7  | 4.5      | 497   | 188.40   | 2.8  | 0.47     | 4508  | 2949     | 0.90 | 0.54     | 3959  | 2590     | 1.02 | 0.61     | 3466 | 2267     | 1.17 | 0.63     | 3362 | 2199     | 1.20 | 0.80     | 2658 | 1739     | 1.52 | 0.90     | 2357 | 1542     | 1.71 | 1.0      | 2032 | 1329     | 2.0  | 1.2      | 1807 | 1182     | 2.2  | 1.3      | 1578 | 1032     | 2.6  | F 127R77 |      |          |      |          | 4    | F 107R77 |      |          |      |          | 4    | F 97R57  |      |          |      |          | 4    | F 77     |      |          |      |          | 6    |          |      |          |      |          |      |          |      |          |      |          |      |          |      |          |      |          |      |          |      |         |      |          |      |         |      |          |      |          |      |          |      |          |      |          |      |          |      |          |      |          |      |         |      |          |      |         |     |          |      |          |     |          |      |          |     |          |   |          |   |         |   |          |   |         |   |      |   |         |   |      |   |  |   |      |   |  |  |  |   |
| 32            | 51         | 43.83    | 3.7                    | 36          | 45      | 38.31         | 4.2        | 39       | 42                     | 35.91       | 4.5     | 44       | 37    | 31.69    | 5.1  | 49       | 33    | 28.09    | 5.8  | 58       | 28    | 23.88    | 6.8  | 59       | 27    | 23.63    | 6.8  | 68       | 24    | 20.57    | 7.9  | 72       | 22    | 19.27    | 8.4  | 82       | 20    | 17.03    | 9.5  | 88       | 18    | 15.81    | 10.2 | 97       | 17    | 14.33    | 11   | 108      | 15    | 12.87    | 13   | 125      | 13    | 11.08    | 14   | 133      | 12    | 10.42    | 14   | 155      | 10    | 8.97     | 16   | 185      | 8.7   | 7.51     | 16   | 204      | 7.9   | 6.81     | 17   | 227      | 7.1   | 6.11     | 18   | 264      | 6.1   | 5.27     | 19   | 281      | 5.8   | 4.95     | 20   | 326      | 5.0   | 4.26     | 21   | 1.3      | 1605  | 1050     | 0.88 | 1.5      | 1387  | 907      | 1.02 | 1.7      | 1238  | 810      | 1.14 | 2.0      | 1085  | 710      | 1.30 | 2.3      | 917   | 600      | 1.54 | 2.6      | 803   | 525      | 1.76 | 3.0      | 717   | 469      | 1.97 | 3.4      | 630   | 412      | 2.2  | 2.2      | 980   | 641      | 0.79 | 2.4      | 874   | 572      | 0.88 | 2.7      | 778   | 509      | 0.99 | 3.2      | 668   | 437      | 1.15 | 2.8      | 764   | 500      | 1.01 | 3.1      | 694   | 454      | 1.11 | 3.5      | 599   | 392      | 1.29 | 4.2      | 509   | 333      | 1.51 | 4.7      | 454   | 297      | 1.70 | 5.3      | 399   | 261      | 1.93 | 5.8      | 364   | 238      | 2.1  | 3.6      | 582   | 387      | 0.95 | 4.2      | 504   | 330      | 1.12 | 5.6      | 381   | 249      | 1.48 | 3.6      | 584   | 382      | 0.97 | 4.2      | 505   | 330      | 1.12 | 4.7      | 456   | 298      | 1.24 | 5.3      | 401   | 262      | 1.41 | 6.2      | 345   | 226      | 1.63 | 7.0      | 306   | 200      | 1.84 | 8.4      | 254   | 166      | 2.2  | 6.1      | 347   | 227      | 1.08 | 6.4      | 330   | 216      | 1.14 | 7.2      | 294   | 192      | 1.28 | 8.0      | 264   | 173      | 1.42 | 6.0      | 352   | 230      | 1.07 | 6.4      | 330   | 216      | 1.14 | 7.4      | 287   | 188      | 1.31 | 7.9      | 269   | 176      | 1.40 | 9.4      | 226   | 148      | 1.66 | 11       | 199   | 130      | 1.89 | 10       | 203   | 133      | 0.92 | 11       | 197   | 129      | 0.95 | 12       | 180   | 118      | 1.04 | 14       | 150   | 98       | 1.25 | 16       | 133   | 87       | 1.41 | 0.16     | 13607 | 8901     | 0.83 | 0.18     | 11775 | 7703     | 0.96 | 0.21     | 10346 | 6768     | 1.09 | 0.23     | 9131  | 5973     | 1.24 | 0.27     | 7760  | 5076     | 1.45 | 0.31     | 6827  | 4466     | 1.7  | 0.24     | 8897  | 5820     | 0.83 | 0.27     | 7984  | 5223     | 0.92 | 0.30     | 6982  | 4567     | 1.06 | 0.40     | 5262  | 3442     | 1.40 | 0.46     | 4643  | 3037     | 1.59 | 0.50     | 4213  | 2756     | 1.75 | 0.59     | 3621  | 2369     | 2.0   | 0.67     | 3161  | 2068     | 2.3   | 0.87     | 2441 | 1597     | 3.0   | 0.99     | 2142 | 1401     | 3.4   | 3.0      | 744  | 281.71   | 1.9   | 3.2      | 694  | 262.93   | 2.0   | 3.8      | 596   | 225.79   | 2.4   | 4.3      | 524   | 198.31   | 2.7  | 4.5      | 497   | 188.40   | 2.8  | 0.47     | 4508  | 2949     | 0.90 | 0.54     | 3959  | 2590     | 1.02 | 0.61     | 3466  | 2267     | 1.17 | 0.63     | 3362 | 2199     | 1.20 | 0.80     | 2658 | 1739     | 1.52 | 0.90     | 2357 | 1542     | 1.71 | 1.0      | 2032 | 1329     | 2.0  | 1.2      | 1807 | 1182     | 2.2  | 1.3      | 1578 | 1032     | 2.6  | F 127R77 |      |          |      |          | 4    | F 107R77 |      |          |      |          | 4    | F 97R57  |      |          |      |          | 4    | F 77     |      |          |      |          | 6    |          |      |          |      |          |      |          |      |          |      |          |      |          |      |          |      |          |      |          |      |          |      |          |      |         |      |          |      |         |      |          |      |          |      |          |      |          |      |          |      |          |      |          |      |          |      |         |      |          |      |         |     |          |      |          |     |          |      |          |     |          |   |          |   |         |   |          |   |         |   |      |   |         |   |      |   |  |   |      |   |  |  |  |   |
| 36            | 45         | 38.31    | 4.2                    | 39          | 42      | 35.91         | 4.5        | 44       | 37                     | 31.69       | 5.1     | 49       | 33    | 28.09    | 5.8  | 58       | 28    | 23.88    | 6.8  | 59       | 27    | 23.63    | 6.8  | 68       | 24    | 20.57    | 7.9  | 72       | 22    | 19.27    | 8.4  | 82       | 20    | 17.03    | 9.5  | 88       | 18    | 15.81    | 10.2 | 97       | 17    | 14.33    | 11   | 108      | 15    | 12.87    | 13   | 125      | 13    | 11.08    | 14   | 133      | 12    | 10.42    | 14   | 155      | 10    | 8.97     | 16   | 185      | 8.7   | 7.51     | 16   | 204      | 7.9   | 6.81     | 17   | 227      | 7.1   | 6.11     | 18   | 264      | 6.1   | 5.27     | 19   | 281      | 5.8   | 4.95     | 20   | 326      | 5.0   | 4.26     | 21   | 1.3      | 1605  | 1050     | 0.88 | 1.5      | 1387  | 907      | 1.02 | 1.7      | 1238  | 810      | 1.14 | 2.0      | 1085  | 710      | 1.30 | 2.3      | 917   | 600      | 1.54 | 2.6      | 803   | 525      | 1.76 | 3.0      | 717   | 469      | 1.97 | 3.4      | 630   | 412      | 2.2  | 2.2      | 980   | 641      | 0.79 | 2.4      | 874   | 572      | 0.88 | 2.7      | 778   | 509      | 0.99 | 3.2      | 668   | 437      | 1.15 | 2.8      | 764   | 500      | 1.01 | 3.1      | 694   | 454      | 1.11 | 3.5      | 599   | 392      | 1.29 | 4.2      | 509   | 333      | 1.51 | 4.7      | 454   | 297      | 1.70 | 5.3      | 399   | 261      | 1.93 | 5.8      | 364   | 238      | 2.1  | 3.6      | 582   | 387      | 0.95 | 4.2      | 504   | 330      | 1.12 | 5.6      | 381   | 249      | 1.48 | 3.6      | 584   | 382      | 0.97 | 4.2      | 505   | 330      | 1.12 | 4.7      | 456   | 298      | 1.24 | 5.3      | 401   | 262      | 1.41 | 6.2      | 345   | 226      | 1.63 | 7.0      | 306   | 200      | 1.84 | 8.4      | 254   | 166      | 2.2  | 6.1      | 347   | 227      | 1.08 | 6.4      | 330   | 216      | 1.14 | 7.2      | 294   | 192      | 1.28 | 8.0      | 264   | 173      | 1.42 | 6.0      | 352   | 230      | 1.07 | 6.4      | 330   | 216      | 1.14 | 7.4      | 287   | 188      | 1.31 | 7.9      | 269   | 176      | 1.40 | 9.4      | 226   | 148      | 1.66 | 11       | 199   | 130      | 1.89 | 10       | 203   | 133      | 0.92 | 11       | 197   | 129      | 0.95 | 12       | 180   | 118      | 1.04 | 14       | 150   | 98       | 1.25 | 16       | 133   | 87       | 1.41 | 0.16     | 13607 | 8901     | 0.83 | 0.18     | 11775 | 7703     | 0.96 | 0.21     | 10346 | 6768     | 1.09 | 0.23     | 9131  | 5973     | 1.24 | 0.27     | 7760  | 5076     | 1.45 | 0.31     | 6827  | 4466     | 1.7  | 0.24     | 8897  | 5820     | 0.83 | 0.27     | 7984  | 5223     | 0.92 | 0.30     | 6982  | 4567     | 1.06 | 0.40     | 5262  | 3442     | 1.40 | 0.46     | 4643  | 3037     | 1.59 | 0.50     | 4213  | 2756     | 1.75 | 0.59     | 3621  | 2369     | 2.0  | 0.67     | 3161  | 2068     | 2.3   | 0.87     | 2441  | 1597     | 3.0   | 0.99     | 2142 | 1401     | 3.4   | 3.0      | 744  | 281.71   | 1.9   | 3.2      | 694  | 262.93   | 2.0   | 3.8      | 596  | 225.79   | 2.4   | 4.3      | 524   | 198.31   | 2.7   | 4.5      | 497   | 188.40   | 2.8  | 0.47     | 4508  | 2949     | 0.90 | 0.54     | 3959  | 2590     | 1.02 | 0.61     | 3466  | 2267     | 1.17 | 0.63     | 3362  | 2199     | 1.20 | 0.80     | 2658 | 1739     | 1.52 | 0.90     | 2357 | 1542     | 1.71 | 1.0      | 2032 | 1329     | 2.0  | 1.2      | 1807 | 1182     | 2.2  | 1.3      | 1578 | 1032     | 2.6  | F 127R77 |      |          |      |          | 4    | F 107R77 |      |          |      |          | 4    | F 97R57  |      |          |      |          | 4    | F 77     |      |          |      |          | 6    |          |      |          |      |          |      |          |      |          |      |          |      |          |      |          |      |          |      |          |      |          |      |          |      |          |      |          |      |         |      |          |      |         |      |          |      |          |      |          |      |          |      |          |      |          |      |          |      |          |      |         |      |          |      |         |     |          |      |          |     |          |      |          |     |          |   |          |   |         |   |          |   |         |   |      |   |         |   |      |   |  |   |      |   |  |  |  |   |
| 39            | 42         | 35.91    | 4.5                    | 44          | 37      | 31.69         | 5.1        | 49       | 33                     | 28.09       | 5.8     | 58       | 28    | 23.88    | 6.8  | 59       | 27    | 23.63    | 6.8  | 68       | 24    | 20.57    | 7.9  | 72       | 22    | 19.27    | 8.4  | 82       | 20    | 17.03    | 9.5  | 88       | 18    | 15.81    | 10.2 | 97       | 17    | 14.33    | 11   | 108      | 15    | 12.87    | 13   | 125      | 13    | 11.08    | 14   | 133      | 12    | 10.42    | 14   | 155      | 10    | 8.97     | 16   | 185      | 8.7   | 7.51     | 16   | 204      | 7.9   | 6.81     | 17   | 227      | 7.1   | 6.11     | 18   | 264      | 6.1   | 5.27     | 19   | 281      | 5.8   | 4.95     | 20   | 326      | 5.0   | 4.26     | 21   | 1.3      | 1605  | 1050     | 0.88 | 1.5      | 1387  | 907      | 1.02 | 1.7      | 1238  | 810      | 1.14 | 2.0      | 1085  | 710      | 1.30 | 2.3      | 917   | 600      | 1.54 | 2.6      | 803   | 525      | 1.76 | 3.0      | 717   | 469      | 1.97 | 3.4      | 630   | 412      | 2.2  | 2.2      | 980   | 641      | 0.79 | 2.4      | 874   | 572      | 0.88 | 2.7      | 778   | 509      | 0.99 | 3.2      | 668   | 437      | 1.15 | 2.8      | 764   | 500      | 1.01 | 3.1      | 694   | 454      | 1.11 | 3.5      | 599   | 392      | 1.29 | 4.2      | 509   | 333      | 1.51 | 4.7      | 454   | 297      | 1.70 | 5.3      | 399   | 261      | 1.93 | 5.8      | 364   | 238      | 2.1  | 3.6      | 582   | 387      | 0.95 | 4.2      | 504   | 330      | 1.12 | 5.6      | 381   | 249      | 1.48 | 3.6      | 584   | 382      | 0.97 | 4.2      | 505   | 330      | 1.12 | 4.7      | 456   | 298      | 1.24 | 5.3      | 401   | 262      | 1.41 | 6.2      | 345   | 226      | 1.63 | 7.0      | 306   | 200      | 1.84 | 8.4      | 254   | 166      | 2.2  | 6.1      | 347   | 227      | 1.08 | 6.4      | 330   | 216      | 1.14 | 7.2      | 294   | 192      | 1.28 | 8.0      | 264   | 173      | 1.42 | 6.0      | 352   | 230      | 1.07 | 6.4      | 330   | 216      | 1.14 | 7.4      | 287   | 188      | 1.31 | 7.9      | 269   | 176      | 1.40 | 9.4      | 226   | 148      | 1.66 | 11       | 199   | 130      | 1.89 | 10       | 203   | 133      | 0.92 | 11       | 197   | 129      | 0.95 | 12       | 180   | 118      | 1.04 | 14       | 150   | 98       | 1.25 | 16       | 133   | 87       | 1.41 | 0.16     | 13607 | 8901     | 0.83 | 0.18     | 11775 | 7703     | 0.96 | 0.21     | 10346 | 6768     | 1.09 | 0.23     | 9131  | 5973     | 1.24 | 0.27     | 7760  | 5076     | 1.45 | 0.31     | 6827  | 4466     | 1.7  | 0.24     | 8897  | 5820     | 0.83 | 0.27     | 7984  | 5223     | 0.92 | 0.30     | 6982  | 4567     | 1.06 | 0.40     | 5262  | 3442     | 1.40 | 0.46     | 4643  | 3037     | 1.59 | 0.50     | 4213  | 2756     | 1.75 | 0.59     | 3621  | 2369     | 2.0  | 0.67     | 3161  | 2068     | 2.3  | 0.87     | 2441  | 1597     | 3.0   | 0.99     | 2142  | 1401     | 3.4   | 3.0      | 744  | 281.71   | 1.9   | 3.2      | 694  | 262.93   | 2.0   | 3.8      | 596  | 225.79   | 2.4   | 4.3      | 524  | 198.31   | 2.7   | 4.5      | 497   | 188.40   | 2.8   | 0.47     | 4508  | 2949     | 0.90 | 0.54     | 3959  | 2590     | 1.02 | 0.61     | 3466  | 2267     | 1.17 | 0.63     | 3362  | 2199     | 1.20 | 0.80     | 2658  | 1739     | 1.52 | 0.90     | 2357 | 1542     | 1.71 | 1.0      | 2032 | 1329     | 2.0  | 1.2      | 1807 | 1182     | 2.2  | 1.3      | 1578 | 1032     | 2.6  | F 127R77 |      |          |      |          | 4    | F 107R77 |      |          |      |          | 4    | F 97R57  |      |          |      |          | 4    | F 77     |      |          |      |          | 6    |          |      |          |      |          |      |          |      |          |      |          |      |          |      |          |      |          |      |          |      |          |      |          |      |          |      |          |      |          |      |          |      |         |      |          |      |         |      |          |      |          |      |          |      |          |      |          |      |          |      |          |      |          |      |         |      |          |      |         |     |          |      |          |     |          |      |          |     |          |   |          |   |         |   |          |   |         |   |      |   |         |   |      |   |  |   |      |   |  |  |  |   |
| 44            | 37         | 31.69    | 5.1                    | 49          | 33      | 28.09         | 5.8        | 58       | 28                     | 23.88       | 6.8     | 59       | 27    | 23.63    | 6.8  | 68       | 24    | 20.57    | 7.9  | 72       | 22    | 19.27    | 8.4  | 82       | 20    | 17.03    | 9.5  | 88       | 18    | 15.81    | 10.2 | 97       | 17    | 14.33    | 11   | 108      | 15    | 12.87    | 13   | 125      | 13    | 11.08    | 14   | 133      | 12    | 10.42    | 14   | 155      | 10    | 8.97     | 16   | 185      | 8.7   | 7.51     | 16   | 204      | 7.9   | 6.81     | 17   | 227      | 7.1   | 6.11     | 18   | 264      | 6.1   | 5.27     | 19   | 281      | 5.8   | 4.95     | 20   | 326      | 5.0   | 4.26     | 21   | 1.3      | 1605  | 1050     | 0.88 | 1.5      | 1387  | 907      | 1.02 | 1.7      | 1238  | 810      | 1.14 | 2.0      | 1085  | 710      | 1.30 | 2.3      | 917   | 600      | 1.54 | 2.6      | 803   | 525      | 1.76 | 3.0      | 717   | 469      | 1.97 | 3.4      | 630   | 412      | 2.2  | 2.2      | 980   | 641      | 0.79 | 2.4      | 874   | 572      | 0.88 | 2.7      | 778   | 509      | 0.99 | 3.2      | 668   | 437      | 1.15 | 2.8      | 764   | 500      | 1.01 | 3.1      | 694   | 454      | 1.11 | 3.5      | 599   | 392      | 1.29 | 4.2      | 509   | 333      | 1.51 | 4.7      | 454   | 297      | 1.70 | 5.3      | 399   | 261      | 1.93 | 5.8      | 364   | 238      | 2.1  | 3.6      | 582   | 387      | 0.95 | 4.2      | 504   | 330      | 1.12 | 5.6      | 381   | 249      | 1.48 | 3.6      | 584   | 382      | 0.97 | 4.2      | 505   | 330      | 1.12 | 4.7      | 456   | 298      | 1.24 | 5.3      | 401   | 262      | 1.41 | 6.2      | 345   | 226      | 1.63 | 7.0      | 306   | 200      | 1.84 | 8.4      | 254   | 166      | 2.2  | 6.1      | 347   | 227      | 1.08 | 6.4      | 330   | 216      | 1.14 | 7.2      | 294   | 192      | 1.28 | 8.0      | 264   | 173      | 1.42 | 6.0      | 352   | 230      | 1.07 | 6.4      | 330   | 216      | 1.14 | 7.4      | 287   | 188      | 1.31 | 7.9      | 269   | 176      | 1.40 | 9.4      | 226   | 148      | 1.66 | 11       | 199   | 130      | 1.89 | 10       | 203   | 133      | 0.92 | 11       | 197   | 129      | 0.95 | 12       | 180   | 118      | 1.04 | 14       | 150   | 98       | 1.25 | 16       | 133   | 87       | 1.41 | 0.16     | 13607 | 8901     | 0.83 | 0.18     | 11775 | 7703     | 0.96 | 0.21     | 10346 | 6768     | 1.09 | 0.23     | 9131  | 5973     | 1.24 | 0.27     | 7760  | 5076     | 1.45 | 0.31     | 6827  | 4466     | 1.7  | 0.24     | 8897  | 5820     | 0.83 | 0.27     | 7984  | 5223     | 0.92 | 0.30     | 6982  | 4567     | 1.06 | 0.40     | 5262  | 3442     | 1.40 | 0.46     | 4643  | 3037     | 1.59 | 0.50     | 4213  | 2756     | 1.75 | 0.59     | 3621  | 2369     | 2.0  | 0.67     | 3161  | 2068     | 2.3  | 0.87     | 2441  | 1597     | 3.0  | 0.99     | 2142  | 1401     | 3.4   | 3.0      | 744   | 281.71   | 1.9   | 3.2      | 694  | 262.93   | 2.0   | 3.8      | 596  | 225.79   | 2.4   | 4.3      | 524  | 198.31   | 2.7   | 4.5      | 497  | 188.40   | 2.8   | 0.47     | 4508  | 2949     | 0.90  | 0.54     | 3959  | 2590     | 1.02 | 0.61     | 3466  | 2267     | 1.17 | 0.63     | 3362  | 2199     | 1.20 | 0.80     | 2658  | 1739     | 1.52 | 0.90     | 2357  | 1542     | 1.71 | 1.0      | 2032 | 1329     | 2.0  | 1.2      | 1807 | 1182     | 2.2  | 1.3      | 1578 | 1032     | 2.6  | F 127R77 |      |          |      |          | 4    | F 107R77 |      |          |      |          | 4    | F 97R57  |      |          |      |          | 4    | F 77     |      |          |      |          | 6    |          |      |          |      |          |      |          |      |          |      |          |      |          |      |          |      |          |      |          |      |          |      |          |      |          |      |          |      |          |      |          |      |          |      |          |      |         |      |          |      |         |      |          |      |          |      |          |      |          |      |          |      |          |      |          |      |          |      |         |      |          |      |         |     |          |      |          |     |          |      |          |     |          |   |          |   |         |   |          |   |         |   |      |   |         |   |      |   |  |   |      |   |  |  |  |   |
| 49            | 33         | 28.09    | 5.8                    | 58          | 28      | 23.88         | 6.8        | 59       | 27                     | 23.63       | 6.8     | 68       | 24    | 20.57    | 7.9  | 72       | 22    | 19.27    | 8.4  | 82       | 20    | 17.03    | 9.5  | 88       | 18    | 15.81    | 10.2 | 97       | 17    | 14.33    | 11   | 108      | 15    | 12.87    | 13   | 125      | 13    | 11.08    | 14   | 133      | 12    | 10.42    | 14   | 155      | 10    | 8.97     | 16   | 185      | 8.7   | 7.51     | 16   | 204      | 7.9   | 6.81     | 17   | 227      | 7.1   | 6.11     | 18   | 264      | 6.1   | 5.27     | 19   | 281      | 5.8   | 4.95     | 20   | 326      | 5.0   | 4.26     | 21   | 1.3      | 1605  | 1050     | 0.88 | 1.5      | 1387  | 907      | 1.02 | 1.7      | 1238  | 810      | 1.14 | 2.0      | 1085  | 710      | 1.30 | 2.3      | 917   | 600      | 1.54 | 2.6      | 803   | 525      | 1.76 | 3.0      | 717   | 469      | 1.97 | 3.4      | 630   | 412      | 2.2  | 2.2      | 980   | 641      | 0.79 | 2.4      | 874   | 572      | 0.88 | 2.7      | 778   | 509      | 0.99 | 3.2      | 668   | 437      | 1.15 | 2.8      | 764   | 500      | 1.01 | 3.1      | 694   | 454      | 1.11 | 3.5      | 599   | 392      | 1.29 | 4.2      | 509   | 333      | 1.51 | 4.7      | 454   | 297      | 1.70 | 5.3      | 399   | 261      | 1.93 | 5.8      | 364   | 238      | 2.1  | 3.6      | 582   | 387      | 0.95 | 4.2      | 504   | 330      | 1.12 | 5.6      | 381   | 249      | 1.48 | 3.6      | 584   | 382      | 0.97 | 4.2      | 505   | 330      | 1.12 | 4.7      | 456   | 298      | 1.24 | 5.3      | 401   | 262      | 1.41 | 6.2      | 345   | 226      | 1.63 | 7.0      | 306   | 200      | 1.84 | 8.4      | 254   | 166      | 2.2  | 6.1      | 347   | 227      | 1.08 | 6.4      | 330   | 216      | 1.14 | 7.2      | 294   | 192      | 1.28 | 8.0      | 264   | 173      | 1.42 | 6.0      | 352   | 230      | 1.07 | 6.4      | 330   | 216      | 1.14 | 7.4      | 287   | 188      | 1.31 | 7.9      | 269   | 176      | 1.40 | 9.4      | 226   | 148      | 1.66 | 11       | 199   | 130      | 1.89 | 10       | 203   | 133      | 0.92 | 11       | 197   | 129      | 0.95 | 12       | 180   | 118      | 1.04 | 14       | 150   | 98       | 1.25 | 16       | 133   | 87       | 1.41 | 0.16     | 13607 | 8901     | 0.83 | 0.18     | 11775 | 7703     | 0.96 | 0.21     | 10346 | 6768     | 1.09 | 0.23     | 9131  | 5973     | 1.24 | 0.27     | 7760  | 5076     | 1.45 | 0.31     | 6827  | 4466     | 1.7  | 0.24     | 8897  | 5820     | 0.83 | 0.27     | 7984  | 5223     | 0.92 | 0.30     | 6982  | 4567     | 1.06 | 0.40     | 5262  | 3442     | 1.40 | 0.46     | 4643  | 3037     | 1.59 | 0.50     | 4213  | 2756     | 1.75 | 0.59     | 3621  | 2369     | 2.0  | 0.67     | 3161  | 2068     | 2.3  | 0.87     | 2441  | 1597     | 3.0  | 0.99     | 2142  | 1401     | 3.4  | 3.0      | 744   | 281.71   | 1.9   | 3.2      | 694   | 262.93   | 2.0   | 3.8      | 596  | 225.79   | 2.4   | 4.3      | 524  | 198.31   | 2.7   | 4.5      | 497  | 188.40   | 2.8   | 0.47     | 4508 | 2949     | 0.90  | 0.54     | 3959  | 2590     | 1.02  | 0.61     | 3466  | 2267     | 1.17 | 0.63     | 3362  | 2199     | 1.20 | 0.80     | 2658  | 1739     | 1.52 | 0.90     | 2357  | 1542     | 1.71 | 1.0      | 2032  | 1329     | 2.0  | 1.2      | 1807 | 1182     | 2.2  | 1.3      | 1578 | 1032     | 2.6  | F 127R77 |      |          |      |          | 4    | F 107R77 |      |          |      |          | 4    | F 97R57  |      |          |      |          | 4    | F 77     |      |          |      |          | 6    |          |      |          |      |          |      |          |      |          |      |          |      |          |      |          |      |          |      |          |      |          |      |          |      |          |      |          |      |          |      |          |      |          |      |          |      |          |      |          |      |         |      |          |      |         |      |          |      |          |      |          |      |          |      |          |      |          |      |          |      |          |      |         |      |          |      |         |     |          |      |          |     |          |      |          |     |          |   |          |   |         |   |          |   |         |   |      |   |         |   |      |   |  |   |      |   |  |  |  |   |
| 58            | 28         | 23.88    | 6.8                    | 59          | 27      | 23.63         | 6.8        | 68       | 24                     | 20.57       | 7.9     | 72       | 22    | 19.27    | 8.4  | 82       | 20    | 17.03    | 9.5  | 88       | 18    | 15.81    | 10.2 | 97       | 17    | 14.33    | 11   | 108      | 15    | 12.87    | 13   | 125      | 13    | 11.08    | 14   | 133      | 12    | 10.42    | 14   | 155      | 10    | 8.97     | 16   | 185      | 8.7   | 7.51     | 16   | 204      | 7.9   | 6.81     | 17   | 227      | 7.1   | 6.11     | 18   | 264      | 6.1   | 5.27     | 19   | 281      | 5.8   | 4.95     | 20   | 326      | 5.0   | 4.26     | 21   | 1.3      | 1605  | 1050     | 0.88 | 1.5      | 1387  | 907      | 1.02 | 1.7      | 1238  | 810      | 1.14 | 2.0      | 1085  | 710      | 1.30 | 2.3      | 917   | 600      | 1.54 | 2.6      | 803   | 525      | 1.76 | 3.0      | 717   | 469      | 1.97 | 3.4      | 630   | 412      | 2.2  | 2.2      | 980   | 641      | 0.79 | 2.4      | 874   | 572      | 0.88 | 2.7      | 778   | 509      | 0.99 | 3.2      | 668   | 437      | 1.15 | 2.8      | 764   | 500      | 1.01 | 3.1      | 694   | 454      | 1.11 | 3.5      | 599   | 392      | 1.29 | 4.2      | 509   | 333      | 1.51 | 4.7      | 454   | 297      | 1.70 | 5.3      | 399   | 261      | 1.93 | 5.8      | 364   | 238      | 2.1  | 3.6      | 582   | 387      | 0.95 | 4.2      | 504   | 330      | 1.12 | 5.6      | 381   | 249      | 1.48 | 3.6      | 584   | 382      | 0.97 | 4.2      | 505   | 330      | 1.12 | 4.7      | 456   | 298      | 1.24 | 5.3      | 401   | 262      | 1.41 | 6.2      | 345   | 226      | 1.63 | 7.0      | 306   | 200      | 1.84 | 8.4      | 254   | 166      | 2.2  | 6.1      | 347   | 227      | 1.08 | 6.4      | 330   | 216      | 1.14 | 7.2      | 294   | 192      | 1.28 | 8.0      | 264   | 173      | 1.42 | 6.0      | 352   | 230      | 1.07 | 6.4      | 330   | 216      | 1.14 | 7.4      | 287   | 188      | 1.31 | 7.9      | 269   | 176      | 1.40 | 9.4      | 226   | 148      | 1.66 | 11       | 199   | 130      | 1.89 | 10       | 203   | 133      | 0.92 | 11       | 197   | 129      | 0.95 | 12       | 180   | 118      | 1.04 | 14       | 150   | 98       | 1.25 | 16       | 133   | 87       | 1.41 | 0.16     | 13607 | 8901     | 0.83 | 0.18     | 11775 | 7703     | 0.96 | 0.21     | 10346 | 6768     | 1.09 | 0.23     | 9131  | 5973     | 1.24 | 0.27     | 7760  | 5076     | 1.45 | 0.31     | 6827  | 4466     | 1.7  | 0.24     | 8897  | 5820     | 0.83 | 0.27     | 7984  | 5223     | 0.92 | 0.30     | 6982  | 4567     | 1.06 | 0.40     | 5262  | 3442     | 1.40 | 0.46     | 4643  | 3037     | 1.59 | 0.50     | 4213  | 2756     | 1.75 | 0.59     | 3621  | 2369     | 2.0  | 0.67     | 3161  | 2068     | 2.3  | 0.87     | 2441  | 1597     | 3.0  | 0.99     | 2142  | 1401     | 3.4  | 3.0      | 744   | 281.71   | 1.9  | 3.2      | 694   | 262.93   | 2.0   | 3.8      | 596   | 225.79   | 2.4   | 4.3      | 524  | 198.31   | 2.7   | 4.5      | 497  | 188.40   | 2.8   | 0.47     | 4508 | 2949     | 0.90  | 0.54     | 3959 | 2590     | 1.02  | 0.61     | 3466  | 2267     | 1.17  | 0.63     | 3362  | 2199     | 1.20 | 0.80     | 2658  | 1739     | 1.52 | 0.90     | 2357  | 1542     | 1.71 | 1.0      | 2032  | 1329     | 2.0  | 1.2      | 1807  | 1182     | 2.2  | 1.3      | 1578 | 1032     | 2.6  | F 127R77 |      |          |      |          | 4    | F 107R77 |      |          |      |          | 4    | F 97R57  |      |          |      |          | 4    | F 77     |      |          |      |          | 6    |          |      |          |      |          |      |          |      |          |      |          |      |          |      |          |      |          |      |          |      |          |      |          |      |          |      |          |      |          |      |          |      |          |      |          |      |          |      |          |      |          |      |          |      |         |      |          |      |         |      |          |      |          |      |          |      |          |      |          |      |          |      |          |      |          |      |         |      |          |      |         |     |          |      |          |     |          |      |          |     |          |   |          |   |         |   |          |   |         |   |      |   |         |   |      |   |  |   |      |   |  |  |  |   |
| 59            | 27         | 23.63    | 6.8                    | 68          | 24      | 20.57         | 7.9        | 72       | 22                     | 19.27       | 8.4     | 82       | 20    | 17.03    | 9.5  | 88       | 18    | 15.81    | 10.2 | 97       | 17    | 14.33    | 11   | 108      | 15    | 12.87    | 13   | 125      | 13    | 11.08    | 14   | 133      | 12    | 10.42    | 14   | 155      | 10    | 8.97     | 16   | 185      | 8.7   | 7.51     | 16   | 204      | 7.9   | 6.81     | 17   | 227      | 7.1   | 6.11     | 18   | 264      | 6.1   | 5.27     | 19   | 281      | 5.8   | 4.95     | 20   | 326      | 5.0   | 4.26     | 21   | 1.3      | 1605  | 1050     | 0.88 | 1.5      | 1387  | 907      | 1.02 | 1.7      | 1238  | 810      | 1.14 | 2.0      | 1085  | 710      | 1.30 | 2.3      | 917   | 600      | 1.54 | 2.6      | 803   | 525      | 1.76 | 3.0      | 717   | 469      | 1.97 | 3.4      | 630   | 412      | 2.2  | 2.2      | 980   | 641      | 0.79 | 2.4      | 874   | 572      | 0.88 | 2.7      | 778   | 509      | 0.99 | 3.2      | 668   | 437      | 1.15 | 2.8      | 764   | 500      | 1.01 | 3.1      | 694   | 454      | 1.11 | 3.5      | 599   | 392      | 1.29 | 4.2      | 509   | 333      | 1.51 | 4.7      | 454   | 297      | 1.70 | 5.3      | 399   | 261      | 1.93 | 5.8      | 364   | 238      | 2.1  | 3.6      | 582   | 387      | 0.95 | 4.2      | 504   | 330      | 1.12 | 5.6      | 381   | 249      | 1.48 | 3.6      | 584   | 382      | 0.97 | 4.2      | 505   | 330      | 1.12 | 4.7      | 456   | 298      | 1.24 | 5.3      | 401   | 262      | 1.41 | 6.2      | 345   | 226      | 1.63 | 7.0      | 306   | 200      | 1.84 | 8.4      | 254   | 166      | 2.2  | 6.1      | 347   | 227      | 1.08 | 6.4      | 330   | 216      | 1.14 | 7.2      | 294   | 192      | 1.28 | 8.0      | 264   | 173      | 1.42 | 6.0      | 352   | 230      | 1.07 | 6.4      | 330   | 216      | 1.14 | 7.4      | 287   | 188      | 1.31 | 7.9      | 269   | 176      | 1.40 | 9.4      | 226   | 148      | 1.66 | 11       | 199   | 130      | 1.89 | 10       | 203   | 133      | 0.92 | 11       | 197   | 129      | 0.95 | 12       | 180   | 118      | 1.04 | 14       | 150   | 98       | 1.25 | 16       | 133   | 87       | 1.41 | 0.16     | 13607 | 8901     | 0.83 | 0.18     | 11775 | 7703     | 0.96 | 0.21     | 10346 | 6768     | 1.09 | 0.23     | 9131  | 5973     | 1.24 | 0.27     | 7760  | 5076     | 1.45 | 0.31     | 6827  | 4466     | 1.7  | 0.24     | 8897  | 5820     | 0.83 | 0.27     | 7984  | 5223     | 0.92 | 0.30     | 6982  | 4567     | 1.06 | 0.40     | 5262  | 3442     | 1.40 | 0.46     | 4643  | 3037     | 1.59 | 0.50     | 4213  | 2756     | 1.75 | 0.59     | 3621  | 2369     | 2.0  | 0.67     | 3161  | 2068     | 2.3  | 0.87     | 2441  | 1597     | 3.0  | 0.99     | 2142  | 1401     | 3.4  | 3.0      | 744   | 281.71   | 1.9  | 3.2      | 694   | 262.93   | 2.0  | 3.8      | 596   | 225.79   | 2.4   | 4.3      | 524   | 198.31   | 2.7   | 4.5      | 497  | 188.40   | 2.8   | 0.47     | 4508 | 2949     | 0.90  | 0.54     | 3959 | 2590     | 1.02  | 0.61     | 3466 | 2267     | 1.17  | 0.63     | 3362  | 2199     | 1.20  | 0.80     | 2658  | 1739     | 1.52 | 0.90     | 2357  | 1542     | 1.71 | 1.0      | 2032  | 1329     | 2.0  | 1.2      | 1807  | 1182     | 2.2  | 1.3      | 1578  | 1032     | 2.6  | F 127R77 |      |          |      |          | 4    | F 107R77 |      |          |      |          | 4    | F 97R57  |      |          |      |          | 4    | F 77     |      |          |      |          | 6    |          |      |          |      |          |      |          |      |          |      |          |      |          |      |          |      |          |      |          |      |          |      |          |      |          |      |          |      |          |      |          |      |          |      |          |      |          |      |          |      |          |      |          |      |          |      |          |      |         |      |          |      |         |      |          |      |          |      |          |      |          |      |          |      |          |      |          |      |          |      |         |      |          |      |         |     |          |      |          |     |          |      |          |     |          |   |          |   |         |   |          |   |         |   |      |   |         |   |      |   |  |   |      |   |  |  |  |   |
| 68            | 24         | 20.57    | 7.9                    | 72          | 22      | 19.27         | 8.4        | 82       | 20                     | 17.03       | 9.5     | 88       | 18    | 15.81    | 10.2 | 97       | 17    | 14.33    | 11   | 108      | 15    | 12.87    | 13   | 125      | 13    | 11.08    | 14   | 133      | 12    | 10.42    | 14   | 155      | 10    | 8.97     | 16   | 185      | 8.7   | 7.51     | 16   | 204      | 7.9   | 6.81     | 17   | 227      | 7.1   | 6.11     | 18   | 264      | 6.1   | 5.27     | 19   | 281      | 5.8   | 4.95     | 20   | 326      | 5.0   | 4.26     | 21   | 1.3      | 1605  | 1050     | 0.88 | 1.5      | 1387  | 907      | 1.02 | 1.7      | 1238  | 810      | 1.14 | 2.0      | 1085  | 710      | 1.30 | 2.3      | 917   | 600      | 1.54 | 2.6      | 803   | 525      | 1.76 | 3.0      | 717   | 469      | 1.97 | 3.4      | 630   | 412      | 2.2  | 2.2      | 980   | 641      | 0.79 | 2.4      | 874   | 572      | 0.88 | 2.7      | 778   | 509      | 0.99 | 3.2      | 668   | 437      | 1.15 | 2.8      | 764   | 500      | 1.01 | 3.1      | 694   | 454      | 1.11 | 3.5      | 599   | 392      | 1.29 | 4.2      | 509   | 333      | 1.51 | 4.7      | 454   | 297      | 1.70 | 5.3      | 399   | 261      | 1.93 | 5.8      | 364   | 238      | 2.1  | 3.6      | 582   | 387      | 0.95 | 4.2      | 504   | 330      | 1.12 | 5.6      | 381   | 249      | 1.48 | 3.6      | 584   | 382      | 0.97 | 4.2      | 505   | 330      | 1.12 | 4.7      | 456   | 298      | 1.24 | 5.3      | 401   | 262      | 1.41 | 6.2      | 345   | 226      | 1.63 | 7.0      | 306   | 200      | 1.84 | 8.4      | 254   | 166      | 2.2  | 6.1      | 347   | 227      | 1.08 | 6.4      | 330   | 216      | 1.14 | 7.2      | 294   | 192      | 1.28 | 8.0      | 264   | 173      | 1.42 | 6.0      | 352   | 230      | 1.07 | 6.4      | 330   | 216      | 1.14 | 7.4      | 287   | 188      | 1.31 | 7.9      | 269   | 176      | 1.40 | 9.4      | 226   | 148      | 1.66 | 11       | 199   | 130      | 1.89 | 10       | 203   | 133      | 0.92 | 11       | 197   | 129      | 0.95 | 12       | 180   | 118      | 1.04 | 14       | 150   | 98       | 1.25 | 16       | 133   | 87       | 1.41 | 0.16     | 13607 | 8901     | 0.83 | 0.18     | 11775 | 7703     | 0.96 | 0.21     | 10346 | 6768     | 1.09 | 0.23     | 9131  | 5973     | 1.24 | 0.27     | 7760  | 5076     | 1.45 | 0.31     | 6827  | 4466     | 1.7  | 0.24     | 8897  | 5820     | 0.83 | 0.27     | 7984  | 5223     | 0.92 | 0.30     | 6982  | 4567     | 1.06 | 0.40     | 5262  | 3442     | 1.40 | 0.46     | 4643  | 3037     | 1.59 | 0.50     | 4213  | 2756     | 1.75 | 0.59     | 3621  | 2369     | 2.0  | 0.67     | 3161  | 2068     | 2.3  | 0.87     | 2441  | 1597     | 3.0  | 0.99     | 2142  | 1401     | 3.4  | 3.0      | 744   | 281.71   | 1.9  | 3.2      | 694   | 262.93   | 2.0  | 3.8      | 596   | 225.79   | 2.4  | 4.3      | 524   | 198.31   | 2.7   | 4.5      | 497   | 188.40   | 2.8   | 0.47     | 4508 | 2949     | 0.90  | 0.54     | 3959 | 2590     | 1.02  | 0.61     | 3466 | 2267     | 1.17  | 0.63     | 3362 | 2199     | 1.20  | 0.80     | 2658  | 1739     | 1.52  | 0.90     | 2357  | 1542     | 1.71 | 1.0      | 2032  | 1329     | 2.0  | 1.2      | 1807  | 1182     | 2.2  | 1.3      | 1578  | 1032     | 2.6  | F 127R77 |       |          |      |          | 4    | F 107R77 |      |          |      |          | 4    | F 97R57  |      |          |      |          | 4    | F 77     |      |          |      |          | 6    |          |      |          |      |          |      |          |      |          |      |          |      |          |      |          |      |          |      |          |      |          |      |          |      |          |      |          |      |          |      |          |      |          |      |          |      |          |      |          |      |          |      |          |      |          |      |          |      |          |      |          |      |         |      |          |      |         |      |          |      |          |      |          |      |          |      |          |      |          |      |          |      |          |      |         |      |          |      |         |     |          |      |          |     |          |      |          |     |          |   |          |   |         |   |          |   |         |   |      |   |         |   |      |   |  |   |      |   |  |  |  |   |
| 72            | 22         | 19.27    | 8.4                    | 82          | 20      | 17.03         | 9.5        | 88       | 18                     | 15.81       | 10.2    | 97       | 17    | 14.33    | 11   | 108      | 15    | 12.87    | 13   | 125      | 13    | 11.08    | 14   | 133      | 12    | 10.42    | 14   | 155      | 10    | 8.97     | 16   | 185      | 8.7   | 7.51     | 16   | 204      | 7.9   | 6.81     | 17   | 227      | 7.1   | 6.11     | 18   | 264      | 6.1   | 5.27     | 19   | 281      | 5.8   | 4.95     | 20   | 326      | 5.0   | 4.26     | 21   | 1.3      | 1605  | 1050     | 0.88 | 1.5      | 1387  | 907      | 1.02 | 1.7      | 1238  | 810      | 1.14 | 2.0      | 1085  | 710      | 1.30 | 2.3      | 917   | 600      | 1.54 | 2.6      | 803   | 525      | 1.76 | 3.0      | 717   | 469      | 1.97 | 3.4      | 630   | 412      | 2.2  | 2.2      | 980   | 641      | 0.79 | 2.4      | 874   | 572      | 0.88 | 2.7      | 778   | 509      | 0.99 | 3.2      | 668   | 437      | 1.15 | 2.8      | 764   | 500      | 1.01 | 3.1      | 694   | 454      | 1.11 | 3.5      | 599   | 392      | 1.29 | 4.2      | 509   | 333      | 1.51 | 4.7      | 454   | 297      | 1.70 | 5.3      | 399   | 261      | 1.93 | 5.8      | 364   | 238      | 2.1  | 3.6      | 582   | 387      | 0.95 | 4.2      | 504   | 330      | 1.12 | 5.6      | 381   | 249      | 1.48 | 3.6      | 584   | 382      | 0.97 | 4.2      | 505   | 330      | 1.12 | 4.7      | 456   | 298      | 1.24 | 5.3      | 401   | 262      | 1.41 | 6.2      | 345   | 226      | 1.63 | 7.0      | 306   | 200      | 1.84 | 8.4      | 254   | 166      | 2.2  | 6.1      | 347   | 227      | 1.08 | 6.4      | 330   | 216      | 1.14 | 7.2      | 294   | 192      | 1.28 | 8.0      | 264   | 173      | 1.42 | 6.0      | 352   | 230      | 1.07 | 6.4      | 330   | 216      | 1.14 | 7.4      | 287   | 188      | 1.31 | 7.9      | 269   | 176      | 1.40 | 9.4      | 226   | 148      | 1.66 | 11       | 199   | 130      | 1.89 | 10       | 203   | 133      | 0.92 | 11       | 197   | 129      | 0.95 | 12       | 180   | 118      | 1.04 | 14       | 150   | 98       | 1.25 | 16       | 133   | 87       | 1.41 | 0.16     | 13607 | 8901     | 0.83 | 0.18     | 11775 | 7703     | 0.96 | 0.21     | 10346 | 6768     | 1.09 | 0.23     | 9131  | 5973     | 1.24 | 0.27     | 7760  | 5076     | 1.45 | 0.31     | 6827  | 4466     | 1.7  | 0.24     | 8897  | 5820     | 0.83 | 0.27     | 7984  | 5223     | 0.92 | 0.30     | 6982  | 4567     | 1.06 | 0.40     | 5262  | 3442     | 1.40 | 0.46     | 4643  | 3037     | 1.59 | 0.50     | 4213  | 2756     | 1.75 | 0.59     | 3621  | 2369     | 2.0  | 0.67     | 3161  | 2068     | 2.3  | 0.87     | 2441  | 1597     | 3.0  | 0.99     | 2142  | 1401     | 3.4  | 3.0      | 744   | 281.71   | 1.9  | 3.2      | 694   | 262.93   | 2.0  | 3.8      | 596   | 225.79   | 2.4  | 4.3      | 524   | 198.31   | 2.7  | 4.5      | 497   | 188.40   | 2.8   | 0.47     | 4508  | 2949     | 0.90  | 0.54     | 3959 | 2590     | 1.02  | 0.61     | 3466 | 2267     | 1.17  | 0.63     | 3362 | 2199     | 1.20  | 0.80     | 2658 | 1739     | 1.52  | 0.90     | 2357  | 1542     | 1.71  | 1.0      | 2032  | 1329     | 2.0  | 1.2      | 1807  | 1182     | 2.2  | 1.3      | 1578  | 1032     | 2.6  | F 127R77 |       |          |      |          | 4     | F 107R77 |      |          |      |          | 4    | F 97R57  |      |          |      |          | 4    | F 77     |      |          |      |          | 6    |          |      |          |      |          |      |          |      |          |      |          |      |          |      |          |      |          |      |          |      |          |      |          |      |          |      |          |      |          |      |          |      |          |      |          |      |          |      |          |      |          |      |          |      |          |      |          |      |          |      |          |      |          |      |          |      |         |      |          |      |         |      |          |      |          |      |          |      |          |      |          |      |          |      |          |      |          |      |         |      |          |      |         |     |          |      |          |     |          |      |          |     |          |   |          |   |         |   |          |   |         |   |      |   |         |   |      |   |  |   |      |   |  |  |  |   |
| 82            | 20         | 17.03    | 9.5                    | 88          | 18      | 15.81         | 10.2       | 97       | 17                     | 14.33       | 11      | 108      | 15    | 12.87    | 13   | 125      | 13    | 11.08    | 14   | 133      | 12    | 10.42    | 14   | 155      | 10    | 8.97     | 16   | 185      | 8.7   | 7.51     | 16   | 204      | 7.9   | 6.81     | 17   | 227      | 7.1   | 6.11     | 18   | 264      | 6.1   | 5.27     | 19   | 281      | 5.8   | 4.95     | 20   | 326      | 5.0   | 4.26     | 21   | 1.3      | 1605  | 1050     | 0.88 | 1.5      | 1387  | 907      | 1.02 | 1.7      | 1238  | 810      | 1.14 | 2.0      | 1085  | 710      | 1.30 | 2.3      | 917   | 600      | 1.54 | 2.6      | 803   | 525      | 1.76 | 3.0      | 717   | 469      | 1.97 | 3.4      | 630   | 412      | 2.2  | 2.2      | 980   | 641      | 0.79 | 2.4      | 874   | 572      | 0.88 | 2.7      | 778   | 509      | 0.99 | 3.2      | 668   | 437      | 1.15 | 2.8      | 764   | 500      | 1.01 | 3.1      | 694   | 454      | 1.11 | 3.5      | 599   | 392      | 1.29 | 4.2      | 509   | 333      | 1.51 | 4.7      | 454   | 297      | 1.70 | 5.3      | 399   | 261      | 1.93 | 5.8      | 364   | 238      | 2.1  | 3.6      | 582   | 387      | 0.95 | 4.2      | 504   | 330      | 1.12 | 5.6      | 381   | 249      | 1.48 | 3.6      | 584   | 382      | 0.97 | 4.2      | 505   | 330      | 1.12 | 4.7      | 456   | 298      | 1.24 | 5.3      | 401   | 262      | 1.41 | 6.2      | 345   | 226      | 1.63 | 7.0      | 306   | 200      | 1.84 | 8.4      | 254   | 166      | 2.2  | 6.1      | 347   | 227      | 1.08 | 6.4      | 330   | 216      | 1.14 | 7.2      | 294   | 192      | 1.28 | 8.0      | 264   | 173      | 1.42 | 6.0      | 352   | 230      | 1.07 | 6.4      | 330   | 216      | 1.14 | 7.4      | 287   | 188      | 1.31 | 7.9      | 269   | 176      | 1.40 | 9.4      | 226   | 148      | 1.66 | 11       | 199   | 130      | 1.89 | 10       | 203   | 133      | 0.92 | 11       | 197   | 129      | 0.95 | 12       | 180   | 118      | 1.04 | 14       | 150   | 98       | 1.25 | 16       | 133   | 87       | 1.41 | 0.16     | 13607 | 8901     | 0.83 | 0.18     | 11775 | 7703     | 0.96 | 0.21     | 10346 | 6768     | 1.09 | 0.23     | 9131  | 5973     | 1.24 | 0.27     | 7760  | 5076     | 1.45 | 0.31     | 6827  | 4466     | 1.7  | 0.24     | 8897  | 5820     | 0.83 | 0.27     | 7984  | 5223     | 0.92 | 0.30     | 6982  | 4567     | 1.06 | 0.40     | 5262  | 3442     | 1.40 | 0.46     | 4643  | 3037     | 1.59 | 0.50     | 4213  | 2756     | 1.75 | 0.59     | 3621  | 2369     | 2.0  | 0.67     | 3161  | 2068     | 2.3  | 0.87     | 2441  | 1597     | 3.0  | 0.99     | 2142  | 1401     | 3.4  | 3.0      | 744   | 281.71   | 1.9  | 3.2      | 694   | 262.93   | 2.0  | 3.8      | 596   | 225.79   | 2.4  | 4.3      | 524   | 198.31   | 2.7  | 4.5      | 497   | 188.40   | 2.8  | 0.47     | 4508  | 2949     | 0.90  | 0.54     | 3959  | 2590     | 1.02  | 0.61     | 3466 | 2267     | 1.17  | 0.63     | 3362 | 2199     | 1.20  | 0.80     | 2658 | 1739     | 1.52  | 0.90     | 2357 | 1542     | 1.71  | 1.0      | 2032  | 1329     | 2.0   | 1.2      | 1807  | 1182     | 2.2  | 1.3      | 1578  | 1032     | 2.6  | F 127R77 |       |          |      |          | 4     | F 107R77 |      |          |       |          | 4    | F 97R57  |      |          |      |          | 4    | F 77     |      |          |      |          | 6    |          |      |          |      |          |      |          |      |          |      |          |      |          |      |          |      |          |      |          |      |          |      |          |      |          |      |          |      |          |      |          |      |          |      |          |      |          |      |          |      |          |      |          |      |          |      |          |      |          |      |          |      |          |      |          |      |          |      |          |      |         |      |          |      |         |      |          |      |          |      |          |      |          |      |          |      |          |      |          |      |          |      |         |      |          |      |         |     |          |      |          |     |          |      |          |     |          |   |          |   |         |   |          |   |         |   |      |   |         |   |      |   |  |   |      |   |  |  |  |   |
| 88            | 18         | 15.81    | 10.2                   | 97          | 17      | 14.33         | 11         | 108      | 15                     | 12.87       | 13      | 125      | 13    | 11.08    | 14   | 133      | 12    | 10.42    | 14   | 155      | 10    | 8.97     | 16   | 185      | 8.7   | 7.51     | 16   | 204      | 7.9   | 6.81     | 17   | 227      | 7.1   | 6.11     | 18   | 264      | 6.1   | 5.27     | 19   | 281      | 5.8   | 4.95     | 20   | 326      | 5.0   | 4.26     | 21   | 1.3      | 1605  | 1050     | 0.88 | 1.5      | 1387  | 907      | 1.02 | 1.7      | 1238  | 810      | 1.14 | 2.0      | 1085  | 710      | 1.30 | 2.3      | 917   | 600      | 1.54 | 2.6      | 803   | 525      | 1.76 | 3.0      | 717   | 469      | 1.97 | 3.4      | 630   | 412      | 2.2  | 2.2      | 980   | 641      | 0.79 | 2.4      | 874   | 572      | 0.88 | 2.7      | 778   | 509      | 0.99 | 3.2      | 668   | 437      | 1.15 | 2.8      | 764   | 500      | 1.01 | 3.1      | 694   | 454      | 1.11 | 3.5      | 599   | 392      | 1.29 | 4.2      | 509   | 333      | 1.51 | 4.7      | 454   | 297      | 1.70 | 5.3      | 399   | 261      | 1.93 | 5.8      | 364   | 238      | 2.1  | 3.6      | 582   | 387      | 0.95 | 4.2      | 504   | 330      | 1.12 | 5.6      | 381   | 249      | 1.48 | 3.6      | 584   | 382      | 0.97 | 4.2      | 505   | 330      | 1.12 | 4.7      | 456   | 298      | 1.24 | 5.3      | 401   | 262      | 1.41 | 6.2      | 345   | 226      | 1.63 | 7.0      | 306   | 200      | 1.84 | 8.4      | 254   | 166      | 2.2  | 6.1      | 347   | 227      | 1.08 | 6.4      | 330   | 216      | 1.14 | 7.2      | 294   | 192      | 1.28 | 8.0      | 264   | 173      | 1.42 | 6.0      | 352   | 230      | 1.07 | 6.4      | 330   | 216      | 1.14 | 7.4      | 287   | 188      | 1.31 | 7.9      | 269   | 176      | 1.40 | 9.4      | 226   | 148      | 1.66 | 11       | 199   | 130      | 1.89 | 10       | 203   | 133      | 0.92 | 11       | 197   | 129      | 0.95 | 12       | 180   | 118      | 1.04 | 14       | 150   | 98       | 1.25 | 16       | 133   | 87       | 1.41 | 0.16     | 13607 | 8901     | 0.83 | 0.18     | 11775 | 7703     | 0.96 | 0.21     | 10346 | 6768     | 1.09 | 0.23     | 9131  | 5973     | 1.24 | 0.27     | 7760  | 5076     | 1.45 | 0.31     | 6827  | 4466     | 1.7  | 0.24     | 8897  | 5820     | 0.83 | 0.27     | 7984  | 5223     | 0.92 | 0.30     | 6982  | 4567     | 1.06 | 0.40     | 5262  | 3442     | 1.40 | 0.46     | 4643  | 3037     | 1.59 | 0.50     | 4213  | 2756     | 1.75 | 0.59     | 3621  | 2369     | 2.0  | 0.67     | 3161  | 2068     | 2.3  | 0.87     | 2441  | 1597     | 3.0  | 0.99     | 2142  | 1401     | 3.4  | 3.0      | 744   | 281.71   | 1.9  | 3.2      | 694   | 262.93   | 2.0  | 3.8      | 596   | 225.79   | 2.4  | 4.3      | 524   | 198.31   | 2.7  | 4.5      | 497   | 188.40   | 2.8  | 0.47     | 4508  | 2949     | 0.90 | 0.54     | 3959  | 2590     | 1.02  | 0.61     | 3466  | 2267     | 1.17  | 0.63     | 3362 | 2199     | 1.20  | 0.80     | 2658 | 1739     | 1.52  | 0.90     | 2357 | 1542     | 1.71  | 1.0      | 2032 | 1329     | 2.0   | 1.2      | 1807  | 1182     | 2.2   | 1.3      | 1578  | 1032     | 2.6  | F 127R77 |       |          |      |          | 4     | F 107R77 |      |          |       |          | 4    | F 97R57  |       |          |      |          | 4    | F 77     |      |          |      |          | 6    |          |      |          |      |          |      |          |      |          |      |          |      |          |      |          |      |          |      |          |      |          |      |          |      |          |      |          |      |          |      |          |      |          |      |          |      |          |      |          |      |          |      |          |      |          |      |          |      |          |      |          |      |          |      |          |      |          |      |          |      |          |      |          |      |         |      |          |      |         |      |          |      |          |      |          |      |          |      |          |      |          |      |          |      |          |      |         |      |          |      |         |     |          |      |          |     |          |      |          |     |          |   |          |   |         |   |          |   |         |   |      |   |         |   |      |   |  |   |      |   |  |  |  |   |
| 97            | 17         | 14.33    | 11                     | 108         | 15      | 12.87         | 13         | 125      | 13                     | 11.08       | 14      | 133      | 12    | 10.42    | 14   | 155      | 10    | 8.97     | 16   | 185      | 8.7   | 7.51     | 16   | 204      | 7.9   | 6.81     | 17   | 227      | 7.1   | 6.11     | 18   | 264      | 6.1   | 5.27     | 19   | 281      | 5.8   | 4.95     | 20   | 326      | 5.0   | 4.26     | 21   | 1.3      | 1605  | 1050     | 0.88 | 1.5      | 1387  | 907      | 1.02 | 1.7      | 1238  | 810      | 1.14 | 2.0      | 1085  | 710      | 1.30 | 2.3      | 917   | 600      | 1.54 | 2.6      | 803   | 525      | 1.76 | 3.0      | 717   | 469      | 1.97 | 3.4      | 630   | 412      | 2.2  | 2.2      | 980   | 641      | 0.79 | 2.4      | 874   | 572      | 0.88 | 2.7      | 778   | 509      | 0.99 | 3.2      | 668   | 437      | 1.15 | 2.8      | 764   | 500      | 1.01 | 3.1      | 694   | 454      | 1.11 | 3.5      | 599   | 392      | 1.29 | 4.2      | 509   | 333      | 1.51 | 4.7      | 454   | 297      | 1.70 | 5.3      | 399   | 261      | 1.93 | 5.8      | 364   | 238      | 2.1  | 3.6      | 582   | 387      | 0.95 | 4.2      | 504   | 330      | 1.12 | 5.6      | 381   | 249      | 1.48 | 3.6      | 584   | 382      | 0.97 | 4.2      | 505   | 330      | 1.12 | 4.7      | 456   | 298      | 1.24 | 5.3      | 401   | 262      | 1.41 | 6.2      | 345   | 226      | 1.63 | 7.0      | 306   | 200      | 1.84 | 8.4      | 254   | 166      | 2.2  | 6.1      | 347   | 227      | 1.08 | 6.4      | 330   | 216      | 1.14 | 7.2      | 294   | 192      | 1.28 | 8.0      | 264   | 173      | 1.42 | 6.0      | 352   | 230      | 1.07 | 6.4      | 330   | 216      | 1.14 | 7.4      | 287   | 188      | 1.31 | 7.9      | 269   | 176      | 1.40 | 9.4      | 226   | 148      | 1.66 | 11       | 199   | 130      | 1.89 | 10       | 203   | 133      | 0.92 | 11       | 197   | 129      | 0.95 | 12       | 180   | 118      | 1.04 | 14       | 150   | 98       | 1.25 | 16       | 133   | 87       | 1.41 | 0.16     | 13607 | 8901     | 0.83 | 0.18     | 11775 | 7703     | 0.96 | 0.21     | 10346 | 6768     | 1.09 | 0.23     | 9131  | 5973     | 1.24 | 0.27     | 7760  | 5076     | 1.45 | 0.31     | 6827  | 4466     | 1.7  | 0.24     | 8897  | 5820     | 0.83 | 0.27     | 7984  | 5223     | 0.92 | 0.30     | 6982  | 4567     | 1.06 | 0.40     | 5262  | 3442     | 1.40 | 0.46     | 4643  | 3037     | 1.59 | 0.50     | 4213  | 2756     | 1.75 | 0.59     | 3621  | 2369     | 2.0  | 0.67     | 3161  | 2068     | 2.3  | 0.87     | 2441  | 1597     | 3.0  | 0.99     | 2142  | 1401     | 3.4  | 3.0      | 744   | 281.71   | 1.9  | 3.2      | 694   | 262.93   | 2.0  | 3.8      | 596   | 225.79   | 2.4  | 4.3      | 524   | 198.31   | 2.7  | 4.5      | 497   | 188.40   | 2.8  | 0.47     | 4508  | 2949     | 0.90 | 0.54     | 3959  | 2590     | 1.02 | 0.61     | 3466  | 2267     | 1.17  | 0.63     | 3362  | 2199     | 1.20  | 0.80     | 2658 | 1739     | 1.52  | 0.90     | 2357 | 1542     | 1.71  | 1.0      | 2032 | 1329     | 2.0   | 1.2      | 1807 | 1182     | 2.2   | 1.3      | 1578  | 1032     | 2.6   | F 127R77 |       |          |      |          | 4     | F 107R77 |      |          |       |          | 4    | F 97R57  |       |          |      |          | 4     | F 77     |      |          |      |          | 6    |          |      |          |      |          |      |          |      |          |      |          |      |          |      |          |      |          |      |          |      |          |      |          |      |          |      |          |      |          |      |          |      |          |      |          |      |          |      |          |      |          |      |          |      |          |      |          |      |          |      |          |      |          |      |          |      |          |      |          |      |          |      |          |      |          |      |          |      |         |      |          |      |         |      |          |      |          |      |          |      |          |      |          |      |          |      |          |      |          |      |         |      |          |      |         |     |          |      |          |     |          |      |          |     |          |   |          |   |         |   |          |   |         |   |      |   |         |   |      |   |  |   |      |   |  |  |  |   |
| 108           | 15         | 12.87    | 13                     | 125         | 13      | 11.08         | 14         | 133      | 12                     | 10.42       | 14      | 155      | 10    | 8.97     | 16   | 185      | 8.7   | 7.51     | 16   | 204      | 7.9   | 6.81     | 17   | 227      | 7.1   | 6.11     | 18   | 264      | 6.1   | 5.27     | 19   | 281      | 5.8   | 4.95     | 20   | 326      | 5.0   | 4.26     | 21   | 1.3      | 1605  | 1050     | 0.88 | 1.5      | 1387  | 907      | 1.02 | 1.7      | 1238  | 810      | 1.14 | 2.0      | 1085  | 710      | 1.30 | 2.3      | 917   | 600      | 1.54 | 2.6      | 803   | 525      | 1.76 | 3.0      | 717   | 469      | 1.97 | 3.4      | 630   | 412      | 2.2  | 2.2      | 980   | 641      | 0.79 | 2.4      | 874   | 572      | 0.88 | 2.7      | 778   | 509      | 0.99 | 3.2      | 668   | 437      | 1.15 | 2.8      | 764   | 500      | 1.01 | 3.1      | 694   | 454      | 1.11 | 3.5      | 599   | 392      | 1.29 | 4.2      | 509   | 333      | 1.51 | 4.7      | 454   | 297      | 1.70 | 5.3      | 399   | 261      | 1.93 | 5.8      | 364   | 238      | 2.1  | 3.6      | 582   | 387      | 0.95 | 4.2      | 504   | 330      | 1.12 | 5.6      | 381   | 249      | 1.48 | 3.6      | 584   | 382      | 0.97 | 4.2      | 505   | 330      | 1.12 | 4.7      | 456   | 298      | 1.24 | 5.3      | 401   | 262      | 1.41 | 6.2      | 345   | 226      | 1.63 | 7.0      | 306   | 200      | 1.84 | 8.4      | 254   | 166      | 2.2  | 6.1      | 347   | 227      | 1.08 | 6.4      | 330   | 216      | 1.14 | 7.2      | 294   | 192      | 1.28 | 8.0      | 264   | 173      | 1.42 | 6.0      | 352   | 230      | 1.07 | 6.4      | 330   | 216      | 1.14 | 7.4      | 287   | 188      | 1.31 | 7.9      | 269   | 176      | 1.40 | 9.4      | 226   | 148      | 1.66 | 11       | 199   | 130      | 1.89 | 10       | 203   | 133      | 0.92 | 11       | 197   | 129      | 0.95 | 12       | 180   | 118      | 1.04 | 14       | 150   | 98       | 1.25 | 16       | 133   | 87       | 1.41 | 0.16     | 13607 | 8901     | 0.83 | 0.18     | 11775 | 7703     | 0.96 | 0.21     | 10346 | 6768     | 1.09 | 0.23     | 9131  | 5973     | 1.24 | 0.27     | 7760  | 5076     | 1.45 | 0.31     | 6827  | 4466     | 1.7  | 0.24     | 8897  | 5820     | 0.83 | 0.27     | 7984  | 5223     | 0.92 | 0.30     | 6982  | 4567     | 1.06 | 0.40     | 5262  | 3442     | 1.40 | 0.46     | 4643  | 3037     | 1.59 | 0.50     | 4213  | 2756     | 1.75 | 0.59     | 3621  | 2369     | 2.0  | 0.67     | 3161  | 2068     | 2.3  | 0.87     | 2441  | 1597     | 3.0  | 0.99     | 2142  | 1401     | 3.4  | 3.0      | 744   | 281.71   | 1.9  | 3.2      | 694   | 262.93   | 2.0  | 3.8      | 596   | 225.79   | 2.4  | 4.3      | 524   | 198.31   | 2.7  | 4.5      | 497   | 188.40   | 2.8  | 0.47     | 4508  | 2949     | 0.90 | 0.54     | 3959  | 2590     | 1.02 | 0.61     | 3466  | 2267     | 1.17 | 0.63     | 3362  | 2199     | 1.20  | 0.80     | 2658  | 1739     | 1.52  | 0.90     | 2357 | 1542     | 1.71  | 1.0      | 2032 | 1329     | 2.0   | 1.2      | 1807 | 1182     | 2.2   | 1.3      | 1578 | 1032     | 2.6   | F 127R77 |       |          |       |          | 4     | F 107R77 |      |          |       |          | 4    | F 97R57  |       |          |      |          | 4     | F 77     |      |          |       |          | 6    |          |      |          |      |          |      |          |      |          |      |          |      |          |      |          |      |          |      |          |      |          |      |          |      |          |      |          |      |          |      |          |      |          |      |          |      |          |      |          |      |          |      |          |      |          |      |          |      |          |      |          |      |          |      |          |      |          |      |          |      |          |      |          |      |          |      |          |      |          |      |          |      |         |      |          |      |         |      |          |      |          |      |          |      |          |      |          |      |          |      |          |      |          |      |         |      |          |      |         |     |          |      |          |     |          |      |          |     |          |   |          |   |         |   |          |   |         |   |      |   |         |   |      |   |  |   |      |   |  |  |  |   |
| 125           | 13         | 11.08    | 14                     | 133         | 12      | 10.42         | 14         | 155      | 10                     | 8.97        | 16      | 185      | 8.7   | 7.51     | 16   | 204      | 7.9   | 6.81     | 17   | 227      | 7.1   | 6.11     | 18   | 264      | 6.1   | 5.27     | 19   | 281      | 5.8   | 4.95     | 20   | 326      | 5.0   | 4.26     | 21   | 1.3      | 1605  | 1050     | 0.88 | 1.5      | 1387  | 907      | 1.02 | 1.7      | 1238  | 810      | 1.14 | 2.0      | 1085  | 710      | 1.30 | 2.3      | 917   | 600      | 1.54 | 2.6      | 803   | 525      | 1.76 | 3.0      | 717   | 469      | 1.97 | 3.4      | 630   | 412      | 2.2  | 2.2      | 980   | 641      | 0.79 | 2.4      | 874   | 572      | 0.88 | 2.7      | 778   | 509      | 0.99 | 3.2      | 668   | 437      | 1.15 | 2.8      | 764   | 500      | 1.01 | 3.1      | 694   | 454      | 1.11 | 3.5      | 599   | 392      | 1.29 | 4.2      | 509   | 333      | 1.51 | 4.7      | 454   | 297      | 1.70 | 5.3      | 399   | 261      | 1.93 | 5.8      | 364   | 238      | 2.1  | 3.6      | 582   | 387      | 0.95 | 4.2      | 504   | 330      | 1.12 | 5.6      | 381   | 249      | 1.48 | 3.6      | 584   | 382      | 0.97 | 4.2      | 505   | 330      | 1.12 | 4.7      | 456   | 298      | 1.24 | 5.3      | 401   | 262      | 1.41 | 6.2      | 345   | 226      | 1.63 | 7.0      | 306   | 200      | 1.84 | 8.4      | 254   | 166      | 2.2  | 6.1      | 347   | 227      | 1.08 | 6.4      | 330   | 216      | 1.14 | 7.2      | 294   | 192      | 1.28 | 8.0      | 264   | 173      | 1.42 | 6.0      | 352   | 230      | 1.07 | 6.4      | 330   | 216      | 1.14 | 7.4      | 287   | 188      | 1.31 | 7.9      | 269   | 176      | 1.40 | 9.4      | 226   | 148      | 1.66 | 11       | 199   | 130      | 1.89 | 10       | 203   | 133      | 0.92 | 11       | 197   | 129      | 0.95 | 12       | 180   | 118      | 1.04 | 14       | 150   | 98       | 1.25 | 16       | 133   | 87       | 1.41 | 0.16     | 13607 | 8901     | 0.83 | 0.18     | 11775 | 7703     | 0.96 | 0.21     | 10346 | 6768     | 1.09 | 0.23     | 9131  | 5973     | 1.24 | 0.27     | 7760  | 5076     | 1.45 | 0.31     | 6827  | 4466     | 1.7  | 0.24     | 8897  | 5820     | 0.83 | 0.27     | 7984  | 5223     | 0.92 | 0.30     | 6982  | 4567     | 1.06 | 0.40     | 5262  | 3442     | 1.40 | 0.46     | 4643  | 3037     | 1.59 | 0.50     | 4213  | 2756     | 1.75 | 0.59     | 3621  | 2369     | 2.0  | 0.67     | 3161  | 2068     | 2.3  | 0.87     | 2441  | 1597     | 3.0  | 0.99     | 2142  | 1401     | 3.4  | 3.0      | 744   | 281.71   | 1.9  | 3.2      | 694   | 262.93   | 2.0  | 3.8      | 596   | 225.79   | 2.4  | 4.3      | 524   | 198.31   | 2.7  | 4.5      | 497   | 188.40   | 2.8  | 0.47     | 4508  | 2949     | 0.90 | 0.54     | 3959  | 2590     | 1.02 | 0.61     | 3466  | 2267     | 1.17 | 0.63     | 3362  | 2199     | 1.20 | 0.80     | 2658  | 1739     | 1.52  | 0.90     | 2357  | 1542     | 1.71  | 1.0      | 2032 | 1329     | 2.0   | 1.2      | 1807 | 1182     | 2.2   | 1.3      | 1578 | 1032     | 2.6   | F 127R77 |      |          |       |          | 4     | F 107R77 |       |          |       |          | 4    | F 97R57  |       |          |      |          | 4     | F 77     |      |          |       |          | 6    |          |       |          |      |          |      |          |      |          |      |          |      |          |      |          |      |          |      |          |      |          |      |          |      |          |      |          |      |          |      |          |      |          |      |          |      |          |      |          |      |          |      |          |      |          |      |          |      |          |      |          |      |          |      |          |      |          |      |          |      |          |      |          |      |          |      |          |      |          |      |          |      |          |      |          |      |         |      |          |      |         |      |          |      |          |      |          |      |          |      |          |      |          |      |          |      |          |      |         |      |          |      |         |     |          |      |          |     |          |      |          |     |          |   |          |   |         |   |          |   |         |   |      |   |         |   |      |   |  |   |      |   |  |  |  |   |
| 133           | 12         | 10.42    | 14                     | 155         | 10      | 8.97          | 16         | 185      | 8.7                    | 7.51        | 16      | 204      | 7.9   | 6.81     | 17   | 227      | 7.1   | 6.11     | 18   | 264      | 6.1   | 5.27     | 19   | 281      | 5.8   | 4.95     | 20   | 326      | 5.0   | 4.26     | 21   | 1.3      | 1605  | 1050     | 0.88 | 1.5      | 1387  | 907      | 1.02 | 1.7      | 1238  | 810      | 1.14 | 2.0      | 1085  | 710      | 1.30 | 2.3      | 917   | 600      | 1.54 | 2.6      | 803   | 525      | 1.76 | 3.0      | 717   | 469      | 1.97 | 3.4      | 630   | 412      | 2.2  | 2.2      | 980   | 641      | 0.79 | 2.4      | 874   | 572      | 0.88 | 2.7      | 778   | 509      | 0.99 | 3.2      | 668   | 437      | 1.15 | 2.8      | 764   | 500      | 1.01 | 3.1      | 694   | 454      | 1.11 | 3.5      | 599   | 392      | 1.29 | 4.2      | 509   | 333      | 1.51 | 4.7      | 454   | 297      | 1.70 | 5.3      | 399   | 261      | 1.93 | 5.8      | 364   | 238      | 2.1  | 3.6      | 582   | 387      | 0.95 | 4.2      | 504   | 330      | 1.12 | 5.6      | 381   | 249      | 1.48 | 3.6      | 584   | 382      | 0.97 | 4.2      | 505   | 330      | 1.12 | 4.7      | 456   | 298      | 1.24 | 5.3      | 401   | 262      | 1.41 | 6.2      | 345   | 226      | 1.63 | 7.0      | 306   | 200      | 1.84 | 8.4      | 254   | 166      | 2.2  | 6.1      | 347   | 227      | 1.08 | 6.4      | 330   | 216      | 1.14 | 7.2      | 294   | 192      | 1.28 | 8.0      | 264   | 173      | 1.42 | 6.0      | 352   | 230      | 1.07 | 6.4      | 330   | 216      | 1.14 | 7.4      | 287   | 188      | 1.31 | 7.9      | 269   | 176      | 1.40 | 9.4      | 226   | 148      | 1.66 | 11       | 199   | 130      | 1.89 | 10       | 203   | 133      | 0.92 | 11       | 197   | 129      | 0.95 | 12       | 180   | 118      | 1.04 | 14       | 150   | 98       | 1.25 | 16       | 133   | 87       | 1.41 | 0.16     | 13607 | 8901     | 0.83 | 0.18     | 11775 | 7703     | 0.96 | 0.21     | 10346 | 6768     | 1.09 | 0.23     | 9131  | 5973     | 1.24 | 0.27     | 7760  | 5076     | 1.45 | 0.31     | 6827  | 4466     | 1.7  | 0.24     | 8897  | 5820     | 0.83 | 0.27     | 7984  | 5223     | 0.92 | 0.30     | 6982  | 4567     | 1.06 | 0.40     | 5262  | 3442     | 1.40 | 0.46     | 4643  | 3037     | 1.59 | 0.50     | 4213  | 2756     | 1.75 | 0.59     | 3621  | 2369     | 2.0  | 0.67     | 3161  | 2068     | 2.3  | 0.87     | 2441  | 1597     | 3.0  | 0.99     | 2142  | 1401     | 3.4  | 3.0      | 744   | 281.71   | 1.9  | 3.2      | 694   | 262.93   | 2.0  | 3.8      | 596   | 225.79   | 2.4  | 4.3      | 524   | 198.31   | 2.7  | 4.5      | 497   | 188.40   | 2.8  | 0.47     | 4508  | 2949     | 0.90 | 0.54     | 3959  | 2590     | 1.02 | 0.61     | 3466  | 2267     | 1.17 | 0.63     | 3362  | 2199     | 1.20 | 0.80     | 2658  | 1739     | 1.52 | 0.90     | 2357  | 1542     | 1.71  | 1.0      | 2032  | 1329     | 2.0   | 1.2      | 1807 | 1182     | 2.2   | 1.3      | 1578 | 1032     | 2.6   | F 127R77 |      |          |       |          | 4    | F 107R77 |       |          |       |          | 4     | F 97R57  |       |          |      |          | 4     | F 77     |      |          |       |          | 6    |          |       |          |      |          |       |          |      |          |      |          |      |          |      |          |      |          |      |          |      |          |      |          |      |          |      |          |      |          |      |          |      |          |      |          |      |          |      |          |      |          |      |          |      |          |      |          |      |          |      |          |      |          |      |          |      |          |      |          |      |          |      |          |      |          |      |          |      |          |      |          |      |          |      |          |      |          |      |          |      |         |      |          |      |         |      |          |      |          |      |          |      |          |      |          |      |          |      |          |      |          |      |         |      |          |      |         |     |          |      |          |     |          |      |          |     |          |   |          |   |         |   |          |   |         |   |      |   |         |   |      |   |  |   |      |   |  |  |  |   |
| 155           | 10         | 8.97     | 16                     | 185         | 8.7     | 7.51          | 16         | 204      | 7.9                    | 6.81        | 17      | 227      | 7.1   | 6.11     | 18   | 264      | 6.1   | 5.27     | 19   | 281      | 5.8   | 4.95     | 20   | 326      | 5.0   | 4.26     | 21   | 1.3      | 1605  | 1050     | 0.88 | 1.5      | 1387  | 907      | 1.02 | 1.7      | 1238  | 810      | 1.14 | 2.0      | 1085  | 710      | 1.30 | 2.3      | 917   | 600      | 1.54 | 2.6      | 803   | 525      | 1.76 | 3.0      | 717   | 469      | 1.97 | 3.4      | 630   | 412      | 2.2  | 2.2      | 980   | 641      | 0.79 | 2.4      | 874   | 572      | 0.88 | 2.7      | 778   | 509      | 0.99 | 3.2      | 668   | 437      | 1.15 | 2.8      | 764   | 500      | 1.01 | 3.1      | 694   | 454      | 1.11 | 3.5      | 599   | 392      | 1.29 | 4.2      | 509   | 333      | 1.51 | 4.7      | 454   | 297      | 1.70 | 5.3      | 399   | 261      | 1.93 | 5.8      | 364   | 238      | 2.1  | 3.6      | 582   | 387      | 0.95 | 4.2      | 504   | 330      | 1.12 | 5.6      | 381   | 249      | 1.48 | 3.6      | 584   | 382      | 0.97 | 4.2      | 505   | 330      | 1.12 | 4.7      | 456   | 298      | 1.24 | 5.3      | 401   | 262      | 1.41 | 6.2      | 345   | 226      | 1.63 | 7.0      | 306   | 200      | 1.84 | 8.4      | 254   | 166      | 2.2  | 6.1      | 347   | 227      | 1.08 | 6.4      | 330   | 216      | 1.14 | 7.2      | 294   | 192      | 1.28 | 8.0      | 264   | 173      | 1.42 | 6.0      | 352   | 230      | 1.07 | 6.4      | 330   | 216      | 1.14 | 7.4      | 287   | 188      | 1.31 | 7.9      | 269   | 176      | 1.40 | 9.4      | 226   | 148      | 1.66 | 11       | 199   | 130      | 1.89 | 10       | 203   | 133      | 0.92 | 11       | 197   | 129      | 0.95 | 12       | 180   | 118      | 1.04 | 14       | 150   | 98       | 1.25 | 16       | 133   | 87       | 1.41 | 0.16     | 13607 | 8901     | 0.83 | 0.18     | 11775 | 7703     | 0.96 | 0.21     | 10346 | 6768     | 1.09 | 0.23     | 9131  | 5973     | 1.24 | 0.27     | 7760  | 5076     | 1.45 | 0.31     | 6827  | 4466     | 1.7  | 0.24     | 8897  | 5820     | 0.83 | 0.27     | 7984  | 5223     | 0.92 | 0.30     | 6982  | 4567     | 1.06 | 0.40     | 5262  | 3442     | 1.40 | 0.46     | 4643  | 3037     | 1.59 | 0.50     | 4213  | 2756     | 1.75 | 0.59     | 3621  | 2369     | 2.0  | 0.67     | 3161  | 2068     | 2.3  | 0.87     | 2441  | 1597     | 3.0  | 0.99     | 2142  | 1401     | 3.4  | 3.0      | 744   | 281.71   | 1.9  | 3.2      | 694   | 262.93   | 2.0  | 3.8      | 596   | 225.79   | 2.4  | 4.3      | 524   | 198.31   | 2.7  | 4.5      | 497   | 188.40   | 2.8  | 0.47     | 4508  | 2949     | 0.90 | 0.54     | 3959  | 2590     | 1.02 | 0.61     | 3466  | 2267     | 1.17 | 0.63     | 3362  | 2199     | 1.20 | 0.80     | 2658  | 1739     | 1.52 | 0.90     | 2357  | 1542     | 1.71 | 1.0      | 2032  | 1329     | 2.0   | 1.2      | 1807  | 1182     | 2.2   | 1.3      | 1578 | 1032     | 2.6   | F 127R77 |      |          |       |          | 4    | F 107R77 |       |          |      |          | 4     | F 97R57  |       |          |       |          | 4     | F 77     |      |          |       |          | 6    |          |       |          |      |          |       |          |      |          |       |          |      |          |      |          |      |          |      |          |      |          |      |          |      |          |      |          |      |          |      |          |      |          |      |          |      |          |      |          |      |          |      |          |      |          |      |          |      |          |      |          |      |          |      |          |      |          |      |          |      |          |      |          |      |          |      |          |      |          |      |          |      |          |      |          |      |          |      |          |      |          |      |          |      |         |      |          |      |         |      |          |      |          |      |          |      |          |      |          |      |          |      |          |      |          |      |         |      |          |      |         |     |          |      |          |     |          |      |          |     |          |   |          |   |         |   |          |   |         |   |      |   |         |   |      |   |  |   |      |   |  |  |  |   |
| 185           | 8.7        | 7.51     | 16                     | 204         | 7.9     | 6.81          | 17         | 227      | 7.1                    | 6.11        | 18      | 264      | 6.1   | 5.27     | 19   | 281      | 5.8   | 4.95     | 20   | 326      | 5.0   | 4.26     | 21   | 1.3      | 1605  | 1050     | 0.88 | 1.5      | 1387  | 907      | 1.02 | 1.7      | 1238  | 810      | 1.14 | 2.0      | 1085  | 710      | 1.30 | 2.3      | 917   | 600      | 1.54 | 2.6      | 803   | 525      | 1.76 | 3.0      | 717   | 469      | 1.97 | 3.4      | 630   | 412      | 2.2  | 2.2      | 980   | 641      | 0.79 | 2.4      | 874   | 572      | 0.88 | 2.7      | 778   | 509      | 0.99 | 3.2      | 668   | 437      | 1.15 | 2.8      | 764   | 500      | 1.01 | 3.1      | 694   | 454      | 1.11 | 3.5      | 599   | 392      | 1.29 | 4.2      | 509   | 333      | 1.51 | 4.7      | 454   | 297      | 1.70 | 5.3      | 399   | 261      | 1.93 | 5.8      | 364   | 238      | 2.1  | 3.6      | 582   | 387      | 0.95 | 4.2      | 504   | 330      | 1.12 | 5.6      | 381   | 249      | 1.48 | 3.6      | 584   | 382      | 0.97 | 4.2      | 505   | 330      | 1.12 | 4.7      | 456   | 298      | 1.24 | 5.3      | 401   | 262      | 1.41 | 6.2      | 345   | 226      | 1.63 | 7.0      | 306   | 200      | 1.84 | 8.4      | 254   | 166      | 2.2  | 6.1      | 347   | 227      | 1.08 | 6.4      | 330   | 216      | 1.14 | 7.2      | 294   | 192      | 1.28 | 8.0      | 264   | 173      | 1.42 | 6.0      | 352   | 230      | 1.07 | 6.4      | 330   | 216      | 1.14 | 7.4      | 287   | 188      | 1.31 | 7.9      | 269   | 176      | 1.40 | 9.4      | 226   | 148      | 1.66 | 11       | 199   | 130      | 1.89 | 10       | 203   | 133      | 0.92 | 11       | 197   | 129      | 0.95 | 12       | 180   | 118      | 1.04 | 14       | 150   | 98       | 1.25 | 16       | 133   | 87       | 1.41 | 0.16     | 13607 | 8901     | 0.83 | 0.18     | 11775 | 7703     | 0.96 | 0.21     | 10346 | 6768     | 1.09 | 0.23     | 9131  | 5973     | 1.24 | 0.27     | 7760  | 5076     | 1.45 | 0.31     | 6827  | 4466     | 1.7  | 0.24     | 8897  | 5820     | 0.83 | 0.27     | 7984  | 5223     | 0.92 | 0.30     | 6982  | 4567     | 1.06 | 0.40     | 5262  | 3442     | 1.40 | 0.46     | 4643  | 3037     | 1.59 | 0.50     | 4213  | 2756     | 1.75 | 0.59     | 3621  | 2369     | 2.0  | 0.67     | 3161  | 2068     | 2.3  | 0.87     | 2441  | 1597     | 3.0  | 0.99     | 2142  | 1401     | 3.4  | 3.0      | 744   | 281.71   | 1.9  | 3.2      | 694   | 262.93   | 2.0  | 3.8      | 596   | 225.79   | 2.4  | 4.3      | 524   | 198.31   | 2.7  | 4.5      | 497   | 188.40   | 2.8  | 0.47     | 4508  | 2949     | 0.90 | 0.54     | 3959  | 2590     | 1.02 | 0.61     | 3466  | 2267     | 1.17 | 0.63     | 3362  | 2199     | 1.20 | 0.80     | 2658  | 1739     | 1.52 | 0.90     | 2357  | 1542     | 1.71 | 1.0      | 2032  | 1329     | 2.0  | 1.2      | 1807  | 1182     | 2.2   | 1.3      | 1578  | 1032     | 2.6   | F 127R77 |      |          |       |          | 4    | F 107R77 |       |          |      |          | 4     | F 97R57  |      |          |       |          | 4     | F 77     |       |          |       |          | 6    |          |       |          |      |          |       |          |      |          |       |          |      |          |       |          |      |          |      |          |      |          |      |          |      |          |      |          |      |          |      |          |      |          |      |          |      |          |      |          |      |          |      |          |      |          |      |          |      |          |      |          |      |          |      |          |      |          |      |          |      |          |      |          |      |          |      |          |      |          |      |          |      |          |      |          |      |          |      |          |      |          |      |          |      |          |      |          |      |         |      |          |      |         |      |          |      |          |      |          |      |          |      |          |      |          |      |          |      |          |      |         |      |          |      |         |     |          |      |          |     |          |      |          |     |          |   |          |   |         |   |          |   |         |   |      |   |         |   |      |   |  |   |      |   |  |  |  |   |
| 204           | 7.9        | 6.81     | 17                     | 227         | 7.1     | 6.11          | 18         | 264      | 6.1                    | 5.27        | 19      | 281      | 5.8   | 4.95     | 20   | 326      | 5.0   | 4.26     | 21   | 1.3      | 1605  | 1050     | 0.88 | 1.5      | 1387  | 907      | 1.02 | 1.7      | 1238  | 810      | 1.14 | 2.0      | 1085  | 710      | 1.30 | 2.3      | 917   | 600      | 1.54 | 2.6      | 803   | 525      | 1.76 | 3.0      | 717   | 469      | 1.97 | 3.4      | 630   | 412      | 2.2  | 2.2      | 980   | 641      | 0.79 | 2.4      | 874   | 572      | 0.88 | 2.7      | 778   | 509      | 0.99 | 3.2      | 668   | 437      | 1.15 | 2.8      | 764   | 500      | 1.01 | 3.1      | 694   | 454      | 1.11 | 3.5      | 599   | 392      | 1.29 | 4.2      | 509   | 333      | 1.51 | 4.7      | 454   | 297      | 1.70 | 5.3      | 399   | 261      | 1.93 | 5.8      | 364   | 238      | 2.1  | 3.6      | 582   | 387      | 0.95 | 4.2      | 504   | 330      | 1.12 | 5.6      | 381   | 249      | 1.48 | 3.6      | 584   | 382      | 0.97 | 4.2      | 505   | 330      | 1.12 | 4.7      | 456   | 298      | 1.24 | 5.3      | 401   | 262      | 1.41 | 6.2      | 345   | 226      | 1.63 | 7.0      | 306   | 200      | 1.84 | 8.4      | 254   | 166      | 2.2  | 6.1      | 347   | 227      | 1.08 | 6.4      | 330   | 216      | 1.14 | 7.2      | 294   | 192      | 1.28 | 8.0      | 264   | 173      | 1.42 | 6.0      | 352   | 230      | 1.07 | 6.4      | 330   | 216      | 1.14 | 7.4      | 287   | 188      | 1.31 | 7.9      | 269   | 176      | 1.40 | 9.4      | 226   | 148      | 1.66 | 11       | 199   | 130      | 1.89 | 10       | 203   | 133      | 0.92 | 11       | 197   | 129      | 0.95 | 12       | 180   | 118      | 1.04 | 14       | 150   | 98       | 1.25 | 16       | 133   | 87       | 1.41 | 0.16     | 13607 | 8901     | 0.83 | 0.18     | 11775 | 7703     | 0.96 | 0.21     | 10346 | 6768     | 1.09 | 0.23     | 9131  | 5973     | 1.24 | 0.27     | 7760  | 5076     | 1.45 | 0.31     | 6827  | 4466     | 1.7  | 0.24     | 8897  | 5820     | 0.83 | 0.27     | 7984  | 5223     | 0.92 | 0.30     | 6982  | 4567     | 1.06 | 0.40     | 5262  | 3442     | 1.40 | 0.46     | 4643  | 3037     | 1.59 | 0.50     | 4213  | 2756     | 1.75 | 0.59     | 3621  | 2369     | 2.0  | 0.67     | 3161  | 2068     | 2.3  | 0.87     | 2441  | 1597     | 3.0  | 0.99     | 2142  | 1401     | 3.4  | 3.0      | 744   | 281.71   | 1.9  | 3.2      | 694   | 262.93   | 2.0  | 3.8      | 596   | 225.79   | 2.4  | 4.3      | 524   | 198.31   | 2.7  | 4.5      | 497   | 188.40   | 2.8  | 0.47     | 4508  | 2949     | 0.90 | 0.54     | 3959  | 2590     | 1.02 | 0.61     | 3466  | 2267     | 1.17 | 0.63     | 3362  | 2199     | 1.20 | 0.80     | 2658  | 1739     | 1.52 | 0.90     | 2357  | 1542     | 1.71 | 1.0      | 2032  | 1329     | 2.0  | 1.2      | 1807  | 1182     | 2.2  | 1.3      | 1578  | 1032     | 2.6   | F 127R77 |       |          |       |          | 4    | F 107R77 |       |          |      |          | 4     | F 97R57  |      |          |       |          | 4    | F 77     |       |          |       |          | 6     |          |       |          |      |          |       |          |      |          |       |          |      |          |       |          |      |          |       |          |      |          |      |          |      |          |      |          |      |          |      |          |      |          |      |          |      |          |      |          |      |          |      |          |      |          |      |          |      |          |      |          |      |          |      |          |      |          |      |          |      |          |      |          |      |          |      |          |      |          |      |          |      |          |      |          |      |          |      |          |      |          |      |          |      |          |      |          |      |          |      |          |      |         |      |          |      |         |      |          |      |          |      |          |      |          |      |          |      |          |      |          |      |          |      |         |      |          |      |         |     |          |      |          |     |          |      |          |     |          |   |          |   |         |   |          |   |         |   |      |   |         |   |      |   |  |   |      |   |  |  |  |   |
| 227           | 7.1        | 6.11     | 18                     | 264         | 6.1     | 5.27          | 19         | 281      | 5.8                    | 4.95        | 20      | 326      | 5.0   | 4.26     | 21   | 1.3      | 1605  | 1050     | 0.88 | 1.5      | 1387  | 907      | 1.02 | 1.7      | 1238  | 810      | 1.14 | 2.0      | 1085  | 710      | 1.30 | 2.3      | 917   | 600      | 1.54 | 2.6      | 803   | 525      | 1.76 | 3.0      | 717   | 469      | 1.97 | 3.4      | 630   | 412      | 2.2  | 2.2      | 980   | 641      | 0.79 | 2.4      | 874   | 572      | 0.88 | 2.7      | 778   | 509      | 0.99 | 3.2      | 668   | 437      | 1.15 | 2.8      | 764   | 500      | 1.01 | 3.1      | 694   | 454      | 1.11 | 3.5      | 599   | 392      | 1.29 | 4.2      | 509   | 333      | 1.51 | 4.7      | 454   | 297      | 1.70 | 5.3      | 399   | 261      | 1.93 | 5.8      | 364   | 238      | 2.1  | 3.6      | 582   | 387      | 0.95 | 4.2      | 504   | 330      | 1.12 | 5.6      | 381   | 249      | 1.48 | 3.6      | 584   | 382      | 0.97 | 4.2      | 505   | 330      | 1.12 | 4.7      | 456   | 298      | 1.24 | 5.3      | 401   | 262      | 1.41 | 6.2      | 345   | 226      | 1.63 | 7.0      | 306   | 200      | 1.84 | 8.4      | 254   | 166      | 2.2  | 6.1      | 347   | 227      | 1.08 | 6.4      | 330   | 216      | 1.14 | 7.2      | 294   | 192      | 1.28 | 8.0      | 264   | 173      | 1.42 | 6.0      | 352   | 230      | 1.07 | 6.4      | 330   | 216      | 1.14 | 7.4      | 287   | 188      | 1.31 | 7.9      | 269   | 176      | 1.40 | 9.4      | 226   | 148      | 1.66 | 11       | 199   | 130      | 1.89 | 10       | 203   | 133      | 0.92 | 11       | 197   | 129      | 0.95 | 12       | 180   | 118      | 1.04 | 14       | 150   | 98       | 1.25 | 16       | 133   | 87       | 1.41 | 0.16     | 13607 | 8901     | 0.83 | 0.18     | 11775 | 7703     | 0.96 | 0.21     | 10346 | 6768     | 1.09 | 0.23     | 9131  | 5973     | 1.24 | 0.27     | 7760  | 5076     | 1.45 | 0.31     | 6827  | 4466     | 1.7  | 0.24     | 8897  | 5820     | 0.83 | 0.27     | 7984  | 5223     | 0.92 | 0.30     | 6982  | 4567     | 1.06 | 0.40     | 5262  | 3442     | 1.40 | 0.46     | 4643  | 3037     | 1.59 | 0.50     | 4213  | 2756     | 1.75 | 0.59     | 3621  | 2369     | 2.0  | 0.67     | 3161  | 2068     | 2.3  | 0.87     | 2441  | 1597     | 3.0  | 0.99     | 2142  | 1401     | 3.4  | 3.0      | 744   | 281.71   | 1.9  | 3.2      | 694   | 262.93   | 2.0  | 3.8      | 596   | 225.79   | 2.4  | 4.3      | 524   | 198.31   | 2.7  | 4.5      | 497   | 188.40   | 2.8  | 0.47     | 4508  | 2949     | 0.90 | 0.54     | 3959  | 2590     | 1.02 | 0.61     | 3466  | 2267     | 1.17 | 0.63     | 3362  | 2199     | 1.20 | 0.80     | 2658  | 1739     | 1.52 | 0.90     | 2357  | 1542     | 1.71 | 1.0      | 2032  | 1329     | 2.0  | 1.2      | 1807  | 1182     | 2.2  | 1.3      | 1578  | 1032     | 2.6  | F 127R77 |       |          |       |          | 4     | F 107R77 |       |          |      |          | 4     | F 97R57  |      |          |       |          | 4    | F 77     |       |          |      |          | 6     |          |       |          |       |          |       |          |      |          |       |          |      |          |       |          |      |          |       |          |      |          |       |          |      |          |      |          |      |          |      |          |      |          |      |          |      |          |      |          |      |          |      |          |      |          |      |          |      |          |      |          |      |          |      |          |      |          |      |          |      |          |      |          |      |          |      |          |      |          |      |          |      |          |      |          |      |          |      |          |      |          |      |          |      |          |      |          |      |          |      |          |      |          |      |          |      |         |      |          |      |         |      |          |      |          |      |          |      |          |      |          |      |          |      |          |      |          |      |         |      |          |      |         |     |          |      |          |     |          |      |          |     |          |   |          |   |         |   |          |   |         |   |      |   |         |   |      |   |  |   |      |   |  |  |  |   |
| 264           | 6.1        | 5.27     | 19                     | 281         | 5.8     | 4.95          | 20         | 326      | 5.0                    | 4.26        | 21      | 1.3      | 1605  | 1050     | 0.88 | 1.5      | 1387  | 907      | 1.02 | 1.7      | 1238  | 810      | 1.14 | 2.0      | 1085  | 710      | 1.30 | 2.3      | 917   | 600      | 1.54 | 2.6      | 803   | 525      | 1.76 | 3.0      | 717   | 469      | 1.97 | 3.4      | 630   | 412      | 2.2  | 2.2      | 980   | 641      | 0.79 | 2.4      | 874   | 572      | 0.88 | 2.7      | 778   | 509      | 0.99 | 3.2      | 668   | 437      | 1.15 | 2.8      | 764   | 500      | 1.01 | 3.1      | 694   | 454      | 1.11 | 3.5      | 599   | 392      | 1.29 | 4.2      | 509   | 333      | 1.51 | 4.7      | 454   | 297      | 1.70 | 5.3      | 399   | 261      | 1.93 | 5.8      | 364   | 238      | 2.1  | 3.6      | 582   | 387      | 0.95 | 4.2      | 504   | 330      | 1.12 | 5.6      | 381   | 249      | 1.48 | 3.6      | 584   | 382      | 0.97 | 4.2      | 505   | 330      | 1.12 | 4.7      | 456   | 298      | 1.24 | 5.3      | 401   | 262      | 1.41 | 6.2      | 345   | 226      | 1.63 | 7.0      | 306   | 200      | 1.84 | 8.4      | 254   | 166      | 2.2  | 6.1      | 347   | 227      | 1.08 | 6.4      | 330   | 216      | 1.14 | 7.2      | 294   | 192      | 1.28 | 8.0      | 264   | 173      | 1.42 | 6.0      | 352   | 230      | 1.07 | 6.4      | 330   | 216      | 1.14 | 7.4      | 287   | 188      | 1.31 | 7.9      | 269   | 176      | 1.40 | 9.4      | 226   | 148      | 1.66 | 11       | 199   | 130      | 1.89 | 10       | 203   | 133      | 0.92 | 11       | 197   | 129      | 0.95 | 12       | 180   | 118      | 1.04 | 14       | 150   | 98       | 1.25 | 16       | 133   | 87       | 1.41 | 0.16     | 13607 | 8901     | 0.83 | 0.18     | 11775 | 7703     | 0.96 | 0.21     | 10346 | 6768     | 1.09 | 0.23     | 9131  | 5973     | 1.24 | 0.27     | 7760  | 5076     | 1.45 | 0.31     | 6827  | 4466     | 1.7  | 0.24     | 8897  | 5820     | 0.83 | 0.27     | 7984  | 5223     | 0.92 | 0.30     | 6982  | 4567     | 1.06 | 0.40     | 5262  | 3442     | 1.40 | 0.46     | 4643  | 3037     | 1.59 | 0.50     | 4213  | 2756     | 1.75 | 0.59     | 3621  | 2369     | 2.0  | 0.67     | 3161  | 2068     | 2.3  | 0.87     | 2441  | 1597     | 3.0  | 0.99     | 2142  | 1401     | 3.4  | 3.0      | 744   | 281.71   | 1.9  | 3.2      | 694   | 262.93   | 2.0  | 3.8      | 596   | 225.79   | 2.4  | 4.3      | 524   | 198.31   | 2.7  | 4.5      | 497   | 188.40   | 2.8  | 0.47     | 4508  | 2949     | 0.90 | 0.54     | 3959  | 2590     | 1.02 | 0.61     | 3466  | 2267     | 1.17 | 0.63     | 3362  | 2199     | 1.20 | 0.80     | 2658  | 1739     | 1.52 | 0.90     | 2357  | 1542     | 1.71 | 1.0      | 2032  | 1329     | 2.0  | 1.2      | 1807  | 1182     | 2.2  | 1.3      | 1578  | 1032     | 2.6  | F 127R77 |       |          |      |          | 4     | F 107R77 |       |          |       |          | 4     | F 97R57  |      |          |       |          | 4    | F 77     |       |          |      |          | 6     |          |      |          |       |          |       |          |       |          |       |          |      |          |       |          |      |          |       |          |      |          |       |          |      |          |       |          |      |          |      |          |      |          |      |          |      |          |      |          |      |          |      |          |      |          |      |          |      |          |      |          |      |          |      |          |      |          |      |          |      |          |      |          |      |          |      |          |      |          |      |          |      |          |      |          |      |          |      |          |      |          |      |          |      |          |      |          |      |          |      |          |      |          |      |          |      |          |      |          |      |         |      |          |      |         |      |          |      |          |      |          |      |          |      |          |      |          |      |          |      |          |      |         |      |          |      |         |     |          |      |          |     |          |      |          |     |          |   |          |   |         |   |          |   |         |   |      |   |         |   |      |   |  |   |      |   |  |  |  |   |
| 281           | 5.8        | 4.95     | 20                     | 326         | 5.0     | 4.26          | 21         | 1.3      | 1605                   | 1050        | 0.88    | 1.5      | 1387  | 907      | 1.02 | 1.7      | 1238  | 810      | 1.14 | 2.0      | 1085  | 710      | 1.30 | 2.3      | 917   | 600      | 1.54 | 2.6      | 803   | 525      | 1.76 | 3.0      | 717   | 469      | 1.97 | 3.4      | 630   | 412      | 2.2  | 2.2      | 980   | 641      | 0.79 | 2.4      | 874   | 572      | 0.88 | 2.7      | 778   | 509      | 0.99 | 3.2      | 668   | 437      | 1.15 | 2.8      | 764   | 500      | 1.01 | 3.1      | 694   | 454      | 1.11 | 3.5      | 599   | 392      | 1.29 | 4.2      | 509   | 333      | 1.51 | 4.7      | 454   | 297      | 1.70 | 5.3      | 399   | 261      | 1.93 | 5.8      | 364   | 238      | 2.1  | 3.6      | 582   | 387      | 0.95 | 4.2      | 504   | 330      | 1.12 | 5.6      | 381   | 249      | 1.48 | 3.6      | 584   | 382      | 0.97 | 4.2      | 505   | 330      | 1.12 | 4.7      | 456   | 298      | 1.24 | 5.3      | 401   | 262      | 1.41 | 6.2      | 345   | 226      | 1.63 | 7.0      | 306   | 200      | 1.84 | 8.4      | 254   | 166      | 2.2  | 6.1      | 347   | 227      | 1.08 | 6.4      | 330   | 216      | 1.14 | 7.2      | 294   | 192      | 1.28 | 8.0      | 264   | 173      | 1.42 | 6.0      | 352   | 230      | 1.07 | 6.4      | 330   | 216      | 1.14 | 7.4      | 287   | 188      | 1.31 | 7.9      | 269   | 176      | 1.40 | 9.4      | 226   | 148      | 1.66 | 11       | 199   | 130      | 1.89 | 10       | 203   | 133      | 0.92 | 11       | 197   | 129      | 0.95 | 12       | 180   | 118      | 1.04 | 14       | 150   | 98       | 1.25 | 16       | 133   | 87       | 1.41 | 0.16     | 13607 | 8901     | 0.83 | 0.18     | 11775 | 7703     | 0.96 | 0.21     | 10346 | 6768     | 1.09 | 0.23     | 9131  | 5973     | 1.24 | 0.27     | 7760  | 5076     | 1.45 | 0.31     | 6827  | 4466     | 1.7  | 0.24     | 8897  | 5820     | 0.83 | 0.27     | 7984  | 5223     | 0.92 | 0.30     | 6982  | 4567     | 1.06 | 0.40     | 5262  | 3442     | 1.40 | 0.46     | 4643  | 3037     | 1.59 | 0.50     | 4213  | 2756     | 1.75 | 0.59     | 3621  | 2369     | 2.0  | 0.67     | 3161  | 2068     | 2.3  | 0.87     | 2441  | 1597     | 3.0  | 0.99     | 2142  | 1401     | 3.4  | 3.0      | 744   | 281.71   | 1.9  | 3.2      | 694   | 262.93   | 2.0  | 3.8      | 596   | 225.79   | 2.4  | 4.3      | 524   | 198.31   | 2.7  | 4.5      | 497   | 188.40   | 2.8  | 0.47     | 4508  | 2949     | 0.90 | 0.54     | 3959  | 2590     | 1.02 | 0.61     | 3466  | 2267     | 1.17 | 0.63     | 3362  | 2199     | 1.20 | 0.80     | 2658  | 1739     | 1.52 | 0.90     | 2357  | 1542     | 1.71 | 1.0      | 2032  | 1329     | 2.0  | 1.2      | 1807  | 1182     | 2.2  | 1.3      | 1578  | 1032     | 2.6  | F 127R77 |       |          |      |          | 4     | F 107R77 |      |          |       |          | 4     | F 97R57  |       |          |       |          | 4    | F 77     |       |          |      |          | 6     |          |      |          |       |          |      |          |       |          |       |          |       |          |       |          |      |          |       |          |      |          |       |          |      |          |       |          |      |          |       |          |      |          |      |          |      |          |      |          |      |          |      |          |      |          |      |          |      |          |      |          |      |          |      |          |      |          |      |          |      |          |      |          |      |          |      |          |      |          |      |          |      |          |      |          |      |          |      |          |      |          |      |          |      |          |      |          |      |          |      |          |      |          |      |          |      |          |      |          |      |          |      |          |      |         |      |          |      |         |      |          |      |          |      |          |      |          |      |          |      |          |      |          |      |          |      |         |      |          |      |         |     |          |      |          |     |          |      |          |     |          |   |          |   |         |   |          |   |         |   |      |   |         |   |      |   |  |   |      |   |  |  |  |   |
| 326           | 5.0        | 4.26     | 21                     | 1.3         | 1605    | 1050          | 0.88       | 1.5      | 1387                   | 907         | 1.02    | 1.7      | 1238  | 810      | 1.14 | 2.0      | 1085  | 710      | 1.30 | 2.3      | 917   | 600      | 1.54 | 2.6      | 803   | 525      | 1.76 | 3.0      | 717   | 469      | 1.97 | 3.4      | 630   | 412      | 2.2  | 2.2      | 980   | 641      | 0.79 | 2.4      | 874   | 572      | 0.88 | 2.7      | 778   | 509      | 0.99 | 3.2      | 668   | 437      | 1.15 | 2.8      | 764   | 500      | 1.01 | 3.1      | 694   | 454      | 1.11 | 3.5      | 599   | 392      | 1.29 | 4.2      | 509   | 333      | 1.51 | 4.7      | 454   | 297      | 1.70 | 5.3      | 399   | 261      | 1.93 | 5.8      | 364   | 238      | 2.1  | 3.6      | 582   | 387      | 0.95 | 4.2      | 504   | 330      | 1.12 | 5.6      | 381   | 249      | 1.48 | 3.6      | 584   | 382      | 0.97 | 4.2      | 505   | 330      | 1.12 | 4.7      | 456   | 298      | 1.24 | 5.3      | 401   | 262      | 1.41 | 6.2      | 345   | 226      | 1.63 | 7.0      | 306   | 200      | 1.84 | 8.4      | 254   | 166      | 2.2  | 6.1      | 347   | 227      | 1.08 | 6.4      | 330   | 216      | 1.14 | 7.2      | 294   | 192      | 1.28 | 8.0      | 264   | 173      | 1.42 | 6.0      | 352   | 230      | 1.07 | 6.4      | 330   | 216      | 1.14 | 7.4      | 287   | 188      | 1.31 | 7.9      | 269   | 176      | 1.40 | 9.4      | 226   | 148      | 1.66 | 11       | 199   | 130      | 1.89 | 10       | 203   | 133      | 0.92 | 11       | 197   | 129      | 0.95 | 12       | 180   | 118      | 1.04 | 14       | 150   | 98       | 1.25 | 16       | 133   | 87       | 1.41 | 0.16     | 13607 | 8901     | 0.83 | 0.18     | 11775 | 7703     | 0.96 | 0.21     | 10346 | 6768     | 1.09 | 0.23     | 9131  | 5973     | 1.24 | 0.27     | 7760  | 5076     | 1.45 | 0.31     | 6827  | 4466     | 1.7  | 0.24     | 8897  | 5820     | 0.83 | 0.27     | 7984  | 5223     | 0.92 | 0.30     | 6982  | 4567     | 1.06 | 0.40     | 5262  | 3442     | 1.40 | 0.46     | 4643  | 3037     | 1.59 | 0.50     | 4213  | 2756     | 1.75 | 0.59     | 3621  | 2369     | 2.0  | 0.67     | 3161  | 2068     | 2.3  | 0.87     | 2441  | 1597     | 3.0  | 0.99     | 2142  | 1401     | 3.4  | 3.0      | 744   | 281.71   | 1.9  | 3.2      | 694   | 262.93   | 2.0  | 3.8      | 596   | 225.79   | 2.4  | 4.3      | 524   | 198.31   | 2.7  | 4.5      | 497   | 188.40   | 2.8  | 0.47     | 4508  | 2949     | 0.90 | 0.54     | 3959  | 2590     | 1.02 | 0.61     | 3466  | 2267     | 1.17 | 0.63     | 3362  | 2199     | 1.20 | 0.80     | 2658  | 1739     | 1.52 | 0.90     | 2357  | 1542     | 1.71 | 1.0      | 2032  | 1329     | 2.0  | 1.2      | 1807  | 1182     | 2.2  | 1.3      | 1578  | 1032     | 2.6  | F 127R77 |       |          |      |          | 4     | F 107R77 |      |          |       |          | 4    | F 97R57  |       |          |       |          | 4     | F 77     |       |          |      |          | 6     |          |      |          |       |          |      |          |       |          |      |          |       |          |       |          |       |          |       |          |      |          |       |          |      |          |       |          |      |          |       |          |      |          |       |          |      |          |      |          |      |          |      |          |      |          |      |          |      |          |      |          |      |          |      |          |      |          |      |          |      |          |      |          |      |          |      |          |      |          |      |          |      |          |      |          |      |          |      |          |      |          |      |          |      |          |      |          |      |          |      |          |      |          |      |          |      |          |      |          |      |          |      |          |      |          |      |          |      |         |      |          |      |         |      |          |      |          |      |          |      |          |      |          |      |          |      |          |      |          |      |         |      |          |      |         |     |          |      |          |     |          |      |          |     |          |   |          |   |         |   |          |   |         |   |      |   |         |   |      |   |  |   |      |   |  |  |  |   |
| 1.3           | 1605       | 1050     | 0.88                   | 1.5         | 1387    | 907           | 1.02       | 1.7      | 1238                   | 810         | 1.14    | 2.0      | 1085  | 710      | 1.30 | 2.3      | 917   | 600      | 1.54 | 2.6      | 803   | 525      | 1.76 | 3.0      | 717   | 469      | 1.97 | 3.4      | 630   | 412      | 2.2  | 2.2      | 980   | 641      | 0.79 | 2.4      | 874   | 572      | 0.88 | 2.7      | 778   | 509      | 0.99 | 3.2      | 668   | 437      | 1.15 | 2.8      | 764   | 500      | 1.01 | 3.1      | 694   | 454      | 1.11 | 3.5      | 599   | 392      | 1.29 | 4.2      | 509   | 333      | 1.51 | 4.7      | 454   | 297      | 1.70 | 5.3      | 399   | 261      | 1.93 | 5.8      | 364   | 238      | 2.1  | 3.6      | 582   | 387      | 0.95 | 4.2      | 504   | 330      | 1.12 | 5.6      | 381   | 249      | 1.48 | 3.6      | 584   | 382      | 0.97 | 4.2      | 505   | 330      | 1.12 | 4.7      | 456   | 298      | 1.24 | 5.3      | 401   | 262      | 1.41 | 6.2      | 345   | 226      | 1.63 | 7.0      | 306   | 200      | 1.84 | 8.4      | 254   | 166      | 2.2  | 6.1      | 347   | 227      | 1.08 | 6.4      | 330   | 216      | 1.14 | 7.2      | 294   | 192      | 1.28 | 8.0      | 264   | 173      | 1.42 | 6.0      | 352   | 230      | 1.07 | 6.4      | 330   | 216      | 1.14 | 7.4      | 287   | 188      | 1.31 | 7.9      | 269   | 176      | 1.40 | 9.4      | 226   | 148      | 1.66 | 11       | 199   | 130      | 1.89 | 10       | 203   | 133      | 0.92 | 11       | 197   | 129      | 0.95 | 12       | 180   | 118      | 1.04 | 14       | 150   | 98       | 1.25 | 16       | 133   | 87       | 1.41 | 0.16     | 13607 | 8901     | 0.83 | 0.18     | 11775 | 7703     | 0.96 | 0.21     | 10346 | 6768     | 1.09 | 0.23     | 9131  | 5973     | 1.24 | 0.27     | 7760  | 5076     | 1.45 | 0.31     | 6827  | 4466     | 1.7  | 0.24     | 8897  | 5820     | 0.83 | 0.27     | 7984  | 5223     | 0.92 | 0.30     | 6982  | 4567     | 1.06 | 0.40     | 5262  | 3442     | 1.40 | 0.46     | 4643  | 3037     | 1.59 | 0.50     | 4213  | 2756     | 1.75 | 0.59     | 3621  | 2369     | 2.0  | 0.67     | 3161  | 2068     | 2.3  | 0.87     | 2441  | 1597     | 3.0  | 0.99     | 2142  | 1401     | 3.4  | 3.0      | 744   | 281.71   | 1.9  | 3.2      | 694   | 262.93   | 2.0  | 3.8      | 596   | 225.79   | 2.4  | 4.3      | 524   | 198.31   | 2.7  | 4.5      | 497   | 188.40   | 2.8  | 0.47     | 4508  | 2949     | 0.90 | 0.54     | 3959  | 2590     | 1.02 | 0.61     | 3466  | 2267     | 1.17 | 0.63     | 3362  | 2199     | 1.20 | 0.80     | 2658  | 1739     | 1.52 | 0.90     | 2357  | 1542     | 1.71 | 1.0      | 2032  | 1329     | 2.0  | 1.2      | 1807  | 1182     | 2.2  | 1.3      | 1578  | 1032     | 2.6  | F 127R77 |       |          |      |          | 4     | F 107R77 |      |          |       |          | 4    | F 97R57  |       |          |      |          | 4     | F 77     |       |          |       |          | 6     |          |      |          |       |          |      |          |       |          |      |          |       |          |      |          |       |          |       |          |       |          |       |          |      |          |       |          |      |          |       |          |      |          |       |          |      |          |       |          |      |          |      |          |      |          |      |          |      |          |      |          |      |          |      |          |      |          |      |          |      |          |      |          |      |          |      |          |      |          |      |          |      |          |      |          |      |          |      |          |      |          |      |          |      |          |      |          |      |          |      |          |      |          |      |          |      |          |      |          |      |          |      |          |      |          |      |          |      |          |      |          |      |         |      |          |      |         |      |          |      |          |      |          |      |          |      |          |      |          |      |          |      |          |      |         |      |          |      |         |     |          |      |          |     |          |      |          |     |          |   |          |   |         |   |          |   |         |   |      |   |         |   |      |   |  |   |      |   |  |  |  |   |
| 1.5           | 1387       | 907      | 1.02                   | 1.7         | 1238    | 810           | 1.14       | 2.0      | 1085                   | 710         | 1.30    | 2.3      | 917   | 600      | 1.54 | 2.6      | 803   | 525      | 1.76 | 3.0      | 717   | 469      | 1.97 | 3.4      | 630   | 412      | 2.2  | 2.2      | 980   | 641      | 0.79 | 2.4      | 874   | 572      | 0.88 | 2.7      | 778   | 509      | 0.99 | 3.2      | 668   | 437      | 1.15 | 2.8      | 764   | 500      | 1.01 | 3.1      | 694   | 454      | 1.11 | 3.5      | 599   | 392      | 1.29 | 4.2      | 509   | 333      | 1.51 | 4.7      | 454   | 297      | 1.70 | 5.3      | 399   | 261      | 1.93 | 5.8      | 364   | 238      | 2.1  | 3.6      | 582   | 387      | 0.95 | 4.2      | 504   | 330      | 1.12 | 5.6      | 381   | 249      | 1.48 | 3.6      | 584   | 382      | 0.97 | 4.2      | 505   | 330      | 1.12 | 4.7      | 456   | 298      | 1.24 | 5.3      | 401   | 262      | 1.41 | 6.2      | 345   | 226      | 1.63 | 7.0      | 306   | 200      | 1.84 | 8.4      | 254   | 166      | 2.2  | 6.1      | 347   | 227      | 1.08 | 6.4      | 330   | 216      | 1.14 | 7.2      | 294   | 192      | 1.28 | 8.0      | 264   | 173      | 1.42 | 6.0      | 352   | 230      | 1.07 | 6.4      | 330   | 216      | 1.14 | 7.4      | 287   | 188      | 1.31 | 7.9      | 269   | 176      | 1.40 | 9.4      | 226   | 148      | 1.66 | 11       | 199   | 130      | 1.89 | 10       | 203   | 133      | 0.92 | 11       | 197   | 129      | 0.95 | 12       | 180   | 118      | 1.04 | 14       | 150   | 98       | 1.25 | 16       | 133   | 87       | 1.41 | 0.16     | 13607 | 8901     | 0.83 | 0.18     | 11775 | 7703     | 0.96 | 0.21     | 10346 | 6768     | 1.09 | 0.23     | 9131  | 5973     | 1.24 | 0.27     | 7760  | 5076     | 1.45 | 0.31     | 6827  | 4466     | 1.7  | 0.24     | 8897  | 5820     | 0.83 | 0.27     | 7984  | 5223     | 0.92 | 0.30     | 6982  | 4567     | 1.06 | 0.40     | 5262  | 3442     | 1.40 | 0.46     | 4643  | 3037     | 1.59 | 0.50     | 4213  | 2756     | 1.75 | 0.59     | 3621  | 2369     | 2.0  | 0.67     | 3161  | 2068     | 2.3  | 0.87     | 2441  | 1597     | 3.0  | 0.99     | 2142  | 1401     | 3.4  | 3.0      | 744   | 281.71   | 1.9  | 3.2      | 694   | 262.93   | 2.0  | 3.8      | 596   | 225.79   | 2.4  | 4.3      | 524   | 198.31   | 2.7  | 4.5      | 497   | 188.40   | 2.8  | 0.47     | 4508  | 2949     | 0.90 | 0.54     | 3959  | 2590     | 1.02 | 0.61     | 3466  | 2267     | 1.17 | 0.63     | 3362  | 2199     | 1.20 | 0.80     | 2658  | 1739     | 1.52 | 0.90     | 2357  | 1542     | 1.71 | 1.0      | 2032  | 1329     | 2.0  | 1.2      | 1807  | 1182     | 2.2  | 1.3      | 1578  | 1032     | 2.6  | F 127R77 |       |          |      |          | 4     | F 107R77 |      |          |       |          | 4    | F 97R57  |       |          |      |          | 4     | F 77     |      |          |       |          | 6     |          |       |          |       |          |      |          |       |          |      |          |       |          |      |          |       |          |      |          |       |          |       |          |       |          |       |          |      |          |       |          |      |          |       |          |      |          |       |          |      |          |       |          |      |          |      |          |      |          |      |          |      |          |      |          |      |          |      |          |      |          |      |          |      |          |      |          |      |          |      |          |      |          |      |          |      |          |      |          |      |          |      |          |      |          |      |          |      |          |      |          |      |          |      |          |      |          |      |          |      |          |      |          |      |          |      |          |      |          |      |          |      |          |      |          |      |         |      |          |      |         |      |          |      |          |      |          |      |          |      |          |      |          |      |          |      |          |      |         |      |          |      |         |     |          |      |          |     |          |      |          |     |          |   |          |   |         |   |          |   |         |   |      |   |         |   |      |   |  |   |      |   |  |  |  |   |
| 1.7           | 1238       | 810      | 1.14                   | 2.0         | 1085    | 710           | 1.30       | 2.3      | 917                    | 600         | 1.54    | 2.6      | 803   | 525      | 1.76 | 3.0      | 717   | 469      | 1.97 | 3.4      | 630   | 412      | 2.2  | 2.2      | 980   | 641      | 0.79 | 2.4      | 874   | 572      | 0.88 | 2.7      | 778   | 509      | 0.99 | 3.2      | 668   | 437      | 1.15 | 2.8      | 764   | 500      | 1.01 | 3.1      | 694   | 454      | 1.11 | 3.5      | 599   | 392      | 1.29 | 4.2      | 509   | 333      | 1.51 | 4.7      | 454   | 297      | 1.70 | 5.3      | 399   | 261      | 1.93 | 5.8      | 364   | 238      | 2.1  | 3.6      | 582   | 387      | 0.95 | 4.2      | 504   | 330      | 1.12 | 5.6      | 381   | 249      | 1.48 | 3.6      | 584   | 382      | 0.97 | 4.2      | 505   | 330      | 1.12 | 4.7      | 456   | 298      | 1.24 | 5.3      | 401   | 262      | 1.41 | 6.2      | 345   | 226      | 1.63 | 7.0      | 306   | 200      | 1.84 | 8.4      | 254   | 166      | 2.2  | 6.1      | 347   | 227      | 1.08 | 6.4      | 330   | 216      | 1.14 | 7.2      | 294   | 192      | 1.28 | 8.0      | 264   | 173      | 1.42 | 6.0      | 352   | 230      | 1.07 | 6.4      | 330   | 216      | 1.14 | 7.4      | 287   | 188      | 1.31 | 7.9      | 269   | 176      | 1.40 | 9.4      | 226   | 148      | 1.66 | 11       | 199   | 130      | 1.89 | 10       | 203   | 133      | 0.92 | 11       | 197   | 129      | 0.95 | 12       | 180   | 118      | 1.04 | 14       | 150   | 98       | 1.25 | 16       | 133   | 87       | 1.41 | 0.16     | 13607 | 8901     | 0.83 | 0.18     | 11775 | 7703     | 0.96 | 0.21     | 10346 | 6768     | 1.09 | 0.23     | 9131  | 5973     | 1.24 | 0.27     | 7760  | 5076     | 1.45 | 0.31     | 6827  | 4466     | 1.7  | 0.24     | 8897  | 5820     | 0.83 | 0.27     | 7984  | 5223     | 0.92 | 0.30     | 6982  | 4567     | 1.06 | 0.40     | 5262  | 3442     | 1.40 | 0.46     | 4643  | 3037     | 1.59 | 0.50     | 4213  | 2756     | 1.75 | 0.59     | 3621  | 2369     | 2.0  | 0.67     | 3161  | 2068     | 2.3  | 0.87     | 2441  | 1597     | 3.0  | 0.99     | 2142  | 1401     | 3.4  | 3.0      | 744   | 281.71   | 1.9  | 3.2      | 694   | 262.93   | 2.0  | 3.8      | 596   | 225.79   | 2.4  | 4.3      | 524   | 198.31   | 2.7  | 4.5      | 497   | 188.40   | 2.8  | 0.47     | 4508  | 2949     | 0.90 | 0.54     | 3959  | 2590     | 1.02 | 0.61     | 3466  | 2267     | 1.17 | 0.63     | 3362  | 2199     | 1.20 | 0.80     | 2658  | 1739     | 1.52 | 0.90     | 2357  | 1542     | 1.71 | 1.0      | 2032  | 1329     | 2.0  | 1.2      | 1807  | 1182     | 2.2  | 1.3      | 1578  | 1032     | 2.6  | F 127R77 |       |          |      |          | 4     | F 107R77 |      |          |       |          | 4    | F 97R57  |       |          |      |          | 4     | F 77     |      |          |       |          | 6    |          |       |          |       |          |       |          |       |          |      |          |       |          |      |          |       |          |      |          |       |          |      |          |       |          |       |          |       |          |       |          |      |          |       |          |      |          |       |          |      |          |       |          |      |          |       |          |      |          |      |          |      |          |      |          |      |          |      |          |      |          |      |          |      |          |      |          |      |          |      |          |      |          |      |          |      |          |      |          |      |          |      |          |      |          |      |          |      |          |      |          |      |          |      |          |      |          |      |          |      |          |      |          |      |          |      |          |      |          |      |          |      |          |      |          |      |          |      |          |      |         |      |          |      |         |      |          |      |          |      |          |      |          |      |          |      |          |      |          |      |          |      |         |      |          |      |         |     |          |      |          |     |          |      |          |     |          |   |          |   |         |   |          |   |         |   |      |   |         |   |      |   |  |   |      |   |  |  |  |   |
| 2.0           | 1085       | 710      | 1.30                   | 2.3         | 917     | 600           | 1.54       | 2.6      | 803                    | 525         | 1.76    | 3.0      | 717   | 469      | 1.97 | 3.4      | 630   | 412      | 2.2  | 2.2      | 980   | 641      | 0.79 | 2.4      | 874   | 572      | 0.88 | 2.7      | 778   | 509      | 0.99 | 3.2      | 668   | 437      | 1.15 | 2.8      | 764   | 500      | 1.01 | 3.1      | 694   | 454      | 1.11 | 3.5      | 599   | 392      | 1.29 | 4.2      | 509   | 333      | 1.51 | 4.7      | 454   | 297      | 1.70 | 5.3      | 399   | 261      | 1.93 | 5.8      | 364   | 238      | 2.1  | 3.6      | 582   | 387      | 0.95 | 4.2      | 504   | 330      | 1.12 | 5.6      | 381   | 249      | 1.48 | 3.6      | 584   | 382      | 0.97 | 4.2      | 505   | 330      | 1.12 | 4.7      | 456   | 298      | 1.24 | 5.3      | 401   | 262      | 1.41 | 6.2      | 345   | 226      | 1.63 | 7.0      | 306   | 200      | 1.84 | 8.4      | 254   | 166      | 2.2  | 6.1      | 347   | 227      | 1.08 | 6.4      | 330   | 216      | 1.14 | 7.2      | 294   | 192      | 1.28 | 8.0      | 264   | 173      | 1.42 | 6.0      | 352   | 230      | 1.07 | 6.4      | 330   | 216      | 1.14 | 7.4      | 287   | 188      | 1.31 | 7.9      | 269   | 176      | 1.40 | 9.4      | 226   | 148      | 1.66 | 11       | 199   | 130      | 1.89 | 10       | 203   | 133      | 0.92 | 11       | 197   | 129      | 0.95 | 12       | 180   | 118      | 1.04 | 14       | 150   | 98       | 1.25 | 16       | 133   | 87       | 1.41 | 0.16     | 13607 | 8901     | 0.83 | 0.18     | 11775 | 7703     | 0.96 | 0.21     | 10346 | 6768     | 1.09 | 0.23     | 9131  | 5973     | 1.24 | 0.27     | 7760  | 5076     | 1.45 | 0.31     | 6827  | 4466     | 1.7  | 0.24     | 8897  | 5820     | 0.83 | 0.27     | 7984  | 5223     | 0.92 | 0.30     | 6982  | 4567     | 1.06 | 0.40     | 5262  | 3442     | 1.40 | 0.46     | 4643  | 3037     | 1.59 | 0.50     | 4213  | 2756     | 1.75 | 0.59     | 3621  | 2369     | 2.0  | 0.67     | 3161  | 2068     | 2.3  | 0.87     | 2441  | 1597     | 3.0  | 0.99     | 2142  | 1401     | 3.4  | 3.0      | 744   | 281.71   | 1.9  | 3.2      | 694   | 262.93   | 2.0  | 3.8      | 596   | 225.79   | 2.4  | 4.3      | 524   | 198.31   | 2.7  | 4.5      | 497   | 188.40   | 2.8  | 0.47     | 4508  | 2949     | 0.90 | 0.54     | 3959  | 2590     | 1.02 | 0.61     | 3466  | 2267     | 1.17 | 0.63     | 3362  | 2199     | 1.20 | 0.80     | 2658  | 1739     | 1.52 | 0.90     | 2357  | 1542     | 1.71 | 1.0      | 2032  | 1329     | 2.0  | 1.2      | 1807  | 1182     | 2.2  | 1.3      | 1578  | 1032     | 2.6  | F 127R77 |       |          |      |          | 4     | F 107R77 |      |          |       |          | 4    | F 97R57  |       |          |      |          | 4     | F 77     |      |          |       |          | 6    |          |       |          |      |          |       |          |       |          |       |          |       |          |      |          |       |          |      |          |       |          |      |          |       |          |      |          |       |          |       |          |       |          |       |          |      |          |       |          |      |          |       |          |      |          |       |          |      |          |       |          |      |          |      |          |      |          |      |          |      |          |      |          |      |          |      |          |      |          |      |          |      |          |      |          |      |          |      |          |      |          |      |          |      |          |      |          |      |          |      |          |      |          |      |          |      |          |      |          |      |          |      |          |      |          |      |          |      |          |      |          |      |          |      |          |      |          |      |          |      |          |      |          |      |         |      |          |      |         |      |          |      |          |      |          |      |          |      |          |      |          |      |          |      |          |      |         |      |          |      |         |     |          |      |          |     |          |      |          |     |          |   |          |   |         |   |          |   |         |   |      |   |         |   |      |   |  |   |      |   |  |  |  |   |
| 2.3           | 917        | 600      | 1.54                   | 2.6         | 803     | 525           | 1.76       | 3.0      | 717                    | 469         | 1.97    | 3.4      | 630   | 412      | 2.2  | 2.2      | 980   | 641      | 0.79 | 2.4      | 874   | 572      | 0.88 | 2.7      | 778   | 509      | 0.99 | 3.2      | 668   | 437      | 1.15 | 2.8      | 764   | 500      | 1.01 | 3.1      | 694   | 454      | 1.11 | 3.5      | 599   | 392      | 1.29 | 4.2      | 509   | 333      | 1.51 | 4.7      | 454   | 297      | 1.70 | 5.3      | 399   | 261      | 1.93 | 5.8      | 364   | 238      | 2.1  | 3.6      | 582   | 387      | 0.95 | 4.2      | 504   | 330      | 1.12 | 5.6      | 381   | 249      | 1.48 | 3.6      | 584   | 382      | 0.97 | 4.2      | 505   | 330      | 1.12 | 4.7      | 456   | 298      | 1.24 | 5.3      | 401   | 262      | 1.41 | 6.2      | 345   | 226      | 1.63 | 7.0      | 306   | 200      | 1.84 | 8.4      | 254   | 166      | 2.2  | 6.1      | 347   | 227      | 1.08 | 6.4      | 330   | 216      | 1.14 | 7.2      | 294   | 192      | 1.28 | 8.0      | 264   | 173      | 1.42 | 6.0      | 352   | 230      | 1.07 | 6.4      | 330   | 216      | 1.14 | 7.4      | 287   | 188      | 1.31 | 7.9      | 269   | 176      | 1.40 | 9.4      | 226   | 148      | 1.66 | 11       | 199   | 130      | 1.89 | 10       | 203   | 133      | 0.92 | 11       | 197   | 129      | 0.95 | 12       | 180   | 118      | 1.04 | 14       | 150   | 98       | 1.25 | 16       | 133   | 87       | 1.41 | 0.16     | 13607 | 8901     | 0.83 | 0.18     | 11775 | 7703     | 0.96 | 0.21     | 10346 | 6768     | 1.09 | 0.23     | 9131  | 5973     | 1.24 | 0.27     | 7760  | 5076     | 1.45 | 0.31     | 6827  | 4466     | 1.7  | 0.24     | 8897  | 5820     | 0.83 | 0.27     | 7984  | 5223     | 0.92 | 0.30     | 6982  | 4567     | 1.06 | 0.40     | 5262  | 3442     | 1.40 | 0.46     | 4643  | 3037     | 1.59 | 0.50     | 4213  | 2756     | 1.75 | 0.59     | 3621  | 2369     | 2.0  | 0.67     | 3161  | 2068     | 2.3  | 0.87     | 2441  | 1597     | 3.0  | 0.99     | 2142  | 1401     | 3.4  | 3.0      | 744   | 281.71   | 1.9  | 3.2      | 694   | 262.93   | 2.0  | 3.8      | 596   | 225.79   | 2.4  | 4.3      | 524   | 198.31   | 2.7  | 4.5      | 497   | 188.40   | 2.8  | 0.47     | 4508  | 2949     | 0.90 | 0.54     | 3959  | 2590     | 1.02 | 0.61     | 3466  | 2267     | 1.17 | 0.63     | 3362  | 2199     | 1.20 | 0.80     | 2658  | 1739     | 1.52 | 0.90     | 2357  | 1542     | 1.71 | 1.0      | 2032  | 1329     | 2.0  | 1.2      | 1807  | 1182     | 2.2  | 1.3      | 1578  | 1032     | 2.6  | F 127R77 |       |          |      |          | 4     | F 107R77 |      |          |       |          | 4    | F 97R57  |       |          |      |          | 4     | F 77     |      |          |       |          | 6    |          |       |          |      |          |       |          |      |          |       |          |       |          |       |          |       |          |      |          |       |          |      |          |       |          |      |          |       |          |      |          |       |          |       |          |       |          |       |          |      |          |       |          |      |          |       |          |      |          |       |          |      |          |       |          |      |          |      |          |      |          |      |          |      |          |      |          |      |          |      |          |      |          |      |          |      |          |      |          |      |          |      |          |      |          |      |          |      |          |      |          |      |          |      |          |      |          |      |          |      |          |      |          |      |          |      |          |      |          |      |          |      |          |      |          |      |          |      |          |      |          |      |          |      |          |      |          |      |         |      |          |      |         |      |          |      |          |      |          |      |          |      |          |      |          |      |          |      |          |      |         |      |          |      |         |     |          |      |          |     |          |      |          |     |          |   |          |   |         |   |          |   |         |   |      |   |         |   |      |   |  |   |      |   |  |  |  |   |
| 2.6           | 803        | 525      | 1.76                   | 3.0         | 717     | 469           | 1.97       | 3.4      | 630                    | 412         | 2.2     | 2.2      | 980   | 641      | 0.79 | 2.4      | 874   | 572      | 0.88 | 2.7      | 778   | 509      | 0.99 | 3.2      | 668   | 437      | 1.15 | 2.8      | 764   | 500      | 1.01 | 3.1      | 694   | 454      | 1.11 | 3.5      | 599   | 392      | 1.29 | 4.2      | 509   | 333      | 1.51 | 4.7      | 454   | 297      | 1.70 | 5.3      | 399   | 261      | 1.93 | 5.8      | 364   | 238      | 2.1  | 3.6      | 582   | 387      | 0.95 | 4.2      | 504   | 330      | 1.12 | 5.6      | 381   | 249      | 1.48 | 3.6      | 584   | 382      | 0.97 | 4.2      | 505   | 330      | 1.12 | 4.7      | 456   | 298      | 1.24 | 5.3      | 401   | 262      | 1.41 | 6.2      | 345   | 226      | 1.63 | 7.0      | 306   | 200      | 1.84 | 8.4      | 254   | 166      | 2.2  | 6.1      | 347   | 227      | 1.08 | 6.4      | 330   | 216      | 1.14 | 7.2      | 294   | 192      | 1.28 | 8.0      | 264   | 173      | 1.42 | 6.0      | 352   | 230      | 1.07 | 6.4      | 330   | 216      | 1.14 | 7.4      | 287   | 188      | 1.31 | 7.9      | 269   | 176      | 1.40 | 9.4      | 226   | 148      | 1.66 | 11       | 199   | 130      | 1.89 | 10       | 203   | 133      | 0.92 | 11       | 197   | 129      | 0.95 | 12       | 180   | 118      | 1.04 | 14       | 150   | 98       | 1.25 | 16       | 133   | 87       | 1.41 | 0.16     | 13607 | 8901     | 0.83 | 0.18     | 11775 | 7703     | 0.96 | 0.21     | 10346 | 6768     | 1.09 | 0.23     | 9131  | 5973     | 1.24 | 0.27     | 7760  | 5076     | 1.45 | 0.31     | 6827  | 4466     | 1.7  | 0.24     | 8897  | 5820     | 0.83 | 0.27     | 7984  | 5223     | 0.92 | 0.30     | 6982  | 4567     | 1.06 | 0.40     | 5262  | 3442     | 1.40 | 0.46     | 4643  | 3037     | 1.59 | 0.50     | 4213  | 2756     | 1.75 | 0.59     | 3621  | 2369     | 2.0  | 0.67     | 3161  | 2068     | 2.3  | 0.87     | 2441  | 1597     | 3.0  | 0.99     | 2142  | 1401     | 3.4  | 3.0      | 744   | 281.71   | 1.9  | 3.2      | 694   | 262.93   | 2.0  | 3.8      | 596   | 225.79   | 2.4  | 4.3      | 524   | 198.31   | 2.7  | 4.5      | 497   | 188.40   | 2.8  | 0.47     | 4508  | 2949     | 0.90 | 0.54     | 3959  | 2590     | 1.02 | 0.61     | 3466  | 2267     | 1.17 | 0.63     | 3362  | 2199     | 1.20 | 0.80     | 2658  | 1739     | 1.52 | 0.90     | 2357  | 1542     | 1.71 | 1.0      | 2032  | 1329     | 2.0  | 1.2      | 1807  | 1182     | 2.2  | 1.3      | 1578  | 1032     | 2.6  | F 127R77 |       |          |      |          | 4     | F 107R77 |      |          |       |          | 4    | F 97R57  |       |          |      |          | 4     | F 77     |      |          |       |          | 6    |          |       |          |      |          |       |          |      |          |       |          |      |          |       |          |       |          |       |          |       |          |      |          |       |          |      |          |       |          |      |          |       |          |      |          |       |          |       |          |       |          |       |          |      |          |       |          |      |          |       |          |      |          |       |          |      |          |       |          |      |          |      |          |      |          |      |          |      |          |      |          |      |          |      |          |      |          |      |          |      |          |      |          |      |          |      |          |      |          |      |          |      |          |      |          |      |          |      |          |      |          |      |          |      |          |      |          |      |          |      |          |      |          |      |          |      |          |      |          |      |          |      |          |      |          |      |          |      |          |      |          |      |         |      |          |      |         |      |          |      |          |      |          |      |          |      |          |      |          |      |          |      |          |      |         |      |          |      |         |     |          |      |          |     |          |      |          |     |          |   |          |   |         |   |          |   |         |   |      |   |         |   |      |   |  |   |      |   |  |  |  |   |
| 3.0           | 717        | 469      | 1.97                   | 3.4         | 630     | 412           | 2.2        | 2.2      | 980                    | 641         | 0.79    | 2.4      | 874   | 572      | 0.88 | 2.7      | 778   | 509      | 0.99 | 3.2      | 668   | 437      | 1.15 | 2.8      | 764   | 500      | 1.01 | 3.1      | 694   | 454      | 1.11 | 3.5      | 599   | 392      | 1.29 | 4.2      | 509   | 333      | 1.51 | 4.7      | 454   | 297      | 1.70 | 5.3      | 399   | 261      | 1.93 | 5.8      | 364   | 238      | 2.1  | 3.6      | 582   | 387      | 0.95 | 4.2      | 504   | 330      | 1.12 | 5.6      | 381   | 249      | 1.48 | 3.6      | 584   | 382      | 0.97 | 4.2      | 505   | 330      | 1.12 | 4.7      | 456   | 298      | 1.24 | 5.3      | 401   | 262      | 1.41 | 6.2      | 345   | 226      | 1.63 | 7.0      | 306   | 200      | 1.84 | 8.4      | 254   | 166      | 2.2  | 6.1      | 347   | 227      | 1.08 | 6.4      | 330   | 216      | 1.14 | 7.2      | 294   | 192      | 1.28 | 8.0      | 264   | 173      | 1.42 | 6.0      | 352   | 230      | 1.07 | 6.4      | 330   | 216      | 1.14 | 7.4      | 287   | 188      | 1.31 | 7.9      | 269   | 176      | 1.40 | 9.4      | 226   | 148      | 1.66 | 11       | 199   | 130      | 1.89 | 10       | 203   | 133      | 0.92 | 11       | 197   | 129      | 0.95 | 12       | 180   | 118      | 1.04 | 14       | 150   | 98       | 1.25 | 16       | 133   | 87       | 1.41 | 0.16     | 13607 | 8901     | 0.83 | 0.18     | 11775 | 7703     | 0.96 | 0.21     | 10346 | 6768     | 1.09 | 0.23     | 9131  | 5973     | 1.24 | 0.27     | 7760  | 5076     | 1.45 | 0.31     | 6827  | 4466     | 1.7  | 0.24     | 8897  | 5820     | 0.83 | 0.27     | 7984  | 5223     | 0.92 | 0.30     | 6982  | 4567     | 1.06 | 0.40     | 5262  | 3442     | 1.40 | 0.46     | 4643  | 3037     | 1.59 | 0.50     | 4213  | 2756     | 1.75 | 0.59     | 3621  | 2369     | 2.0  | 0.67     | 3161  | 2068     | 2.3  | 0.87     | 2441  | 1597     | 3.0  | 0.99     | 2142  | 1401     | 3.4  | 3.0      | 744   | 281.71   | 1.9  | 3.2      | 694   | 262.93   | 2.0  | 3.8      | 596   | 225.79   | 2.4  | 4.3      | 524   | 198.31   | 2.7  | 4.5      | 497   | 188.40   | 2.8  | 0.47     | 4508  | 2949     | 0.90 | 0.54     | 3959  | 2590     | 1.02 | 0.61     | 3466  | 2267     | 1.17 | 0.63     | 3362  | 2199     | 1.20 | 0.80     | 2658  | 1739     | 1.52 | 0.90     | 2357  | 1542     | 1.71 | 1.0      | 2032  | 1329     | 2.0  | 1.2      | 1807  | 1182     | 2.2  | 1.3      | 1578  | 1032     | 2.6  | F 127R77 |       |          |      |          | 4     | F 107R77 |      |          |       |          | 4    | F 97R57  |       |          |      |          | 4     | F 77     |      |          |       |          | 6    |          |       |          |      |          |       |          |      |          |       |          |      |          |       |          |      |          |       |          |       |          |       |          |       |          |      |          |       |          |      |          |       |          |      |          |       |          |      |          |       |          |       |          |       |          |       |          |      |          |       |          |      |          |       |          |      |          |       |          |      |          |       |          |      |          |      |          |      |          |      |          |      |          |      |          |      |          |      |          |      |          |      |          |      |          |      |          |      |          |      |          |      |          |      |          |      |          |      |          |      |          |      |          |      |          |      |          |      |          |      |          |      |          |      |          |      |          |      |          |      |          |      |          |      |          |      |          |      |          |      |          |      |          |      |          |      |         |      |          |      |         |      |          |      |          |      |          |      |          |      |          |      |          |      |          |      |          |      |         |      |          |      |         |     |          |      |          |     |          |      |          |     |          |   |          |   |         |   |          |   |         |   |      |   |         |   |      |   |  |   |      |   |  |  |  |   |
| 3.4           | 630        | 412      | 2.2                    | 2.2         | 980     | 641           | 0.79       | 2.4      | 874                    | 572         | 0.88    | 2.7      | 778   | 509      | 0.99 | 3.2      | 668   | 437      | 1.15 | 2.8      | 764   | 500      | 1.01 | 3.1      | 694   | 454      | 1.11 | 3.5      | 599   | 392      | 1.29 | 4.2      | 509   | 333      | 1.51 | 4.7      | 454   | 297      | 1.70 | 5.3      | 399   | 261      | 1.93 | 5.8      | 364   | 238      | 2.1  | 3.6      | 582   | 387      | 0.95 | 4.2      | 504   | 330      | 1.12 | 5.6      | 381   | 249      | 1.48 | 3.6      | 584   | 382      | 0.97 | 4.2      | 505   | 330      | 1.12 | 4.7      | 456   | 298      | 1.24 | 5.3      | 401   | 262      | 1.41 | 6.2      | 345   | 226      | 1.63 | 7.0      | 306   | 200      | 1.84 | 8.4      | 254   | 166      | 2.2  | 6.1      | 347   | 227      | 1.08 | 6.4      | 330   | 216      | 1.14 | 7.2      | 294   | 192      | 1.28 | 8.0      | 264   | 173      | 1.42 | 6.0      | 352   | 230      | 1.07 | 6.4      | 330   | 216      | 1.14 | 7.4      | 287   | 188      | 1.31 | 7.9      | 269   | 176      | 1.40 | 9.4      | 226   | 148      | 1.66 | 11       | 199   | 130      | 1.89 | 10       | 203   | 133      | 0.92 | 11       | 197   | 129      | 0.95 | 12       | 180   | 118      | 1.04 | 14       | 150   | 98       | 1.25 | 16       | 133   | 87       | 1.41 | 0.16     | 13607 | 8901     | 0.83 | 0.18     | 11775 | 7703     | 0.96 | 0.21     | 10346 | 6768     | 1.09 | 0.23     | 9131  | 5973     | 1.24 | 0.27     | 7760  | 5076     | 1.45 | 0.31     | 6827  | 4466     | 1.7  | 0.24     | 8897  | 5820     | 0.83 | 0.27     | 7984  | 5223     | 0.92 | 0.30     | 6982  | 4567     | 1.06 | 0.40     | 5262  | 3442     | 1.40 | 0.46     | 4643  | 3037     | 1.59 | 0.50     | 4213  | 2756     | 1.75 | 0.59     | 3621  | 2369     | 2.0  | 0.67     | 3161  | 2068     | 2.3  | 0.87     | 2441  | 1597     | 3.0  | 0.99     | 2142  | 1401     | 3.4  | 3.0      | 744   | 281.71   | 1.9  | 3.2      | 694   | 262.93   | 2.0  | 3.8      | 596   | 225.79   | 2.4  | 4.3      | 524   | 198.31   | 2.7  | 4.5      | 497   | 188.40   | 2.8  | 0.47     | 4508  | 2949     | 0.90 | 0.54     | 3959  | 2590     | 1.02 | 0.61     | 3466  | 2267     | 1.17 | 0.63     | 3362  | 2199     | 1.20 | 0.80     | 2658  | 1739     | 1.52 | 0.90     | 2357  | 1542     | 1.71 | 1.0      | 2032  | 1329     | 2.0  | 1.2      | 1807  | 1182     | 2.2  | 1.3      | 1578  | 1032     | 2.6  | F 127R77 |       |          |      |          | 4     | F 107R77 |      |          |       |          | 4    | F 97R57  |       |          |      |          | 4     | F 77     |      |          |       |          | 6    |          |       |          |      |          |       |          |      |          |       |          |      |          |       |          |      |          |       |          |      |          |       |          |       |          |       |          |       |          |      |          |       |          |      |          |       |          |      |          |       |          |      |          |       |          |       |          |       |          |       |          |      |          |       |          |      |          |       |          |      |          |       |          |      |          |       |          |      |          |      |          |      |          |      |          |      |          |      |          |      |          |      |          |      |          |      |          |      |          |      |          |      |          |      |          |      |          |      |          |      |          |      |          |      |          |      |          |      |          |      |          |      |          |      |          |      |          |      |          |      |          |      |          |      |          |      |          |      |          |      |          |      |          |      |          |      |          |      |          |      |         |      |          |      |         |      |          |      |          |      |          |      |          |      |          |      |          |      |          |      |          |      |         |      |          |      |         |     |          |      |          |     |          |      |          |     |          |   |          |   |         |   |          |   |         |   |      |   |         |   |      |   |  |   |      |   |  |  |  |   |
| 2.2           | 980        | 641      | 0.79                   | 2.4         | 874     | 572           | 0.88       | 2.7      | 778                    | 509         | 0.99    | 3.2      | 668   | 437      | 1.15 | 2.8      | 764   | 500      | 1.01 | 3.1      | 694   | 454      | 1.11 | 3.5      | 599   | 392      | 1.29 | 4.2      | 509   | 333      | 1.51 | 4.7      | 454   | 297      | 1.70 | 5.3      | 399   | 261      | 1.93 | 5.8      | 364   | 238      | 2.1  | 3.6      | 582   | 387      | 0.95 | 4.2      | 504   | 330      | 1.12 | 5.6      | 381   | 249      | 1.48 | 3.6      | 584   | 382      | 0.97 | 4.2      | 505   | 330      | 1.12 | 4.7      | 456   | 298      | 1.24 | 5.3      | 401   | 262      | 1.41 | 6.2      | 345   | 226      | 1.63 | 7.0      | 306   | 200      | 1.84 | 8.4      | 254   | 166      | 2.2  | 6.1      | 347   | 227      | 1.08 | 6.4      | 330   | 216      | 1.14 | 7.2      | 294   | 192      | 1.28 | 8.0      | 264   | 173      | 1.42 | 6.0      | 352   | 230      | 1.07 | 6.4      | 330   | 216      | 1.14 | 7.4      | 287   | 188      | 1.31 | 7.9      | 269   | 176      | 1.40 | 9.4      | 226   | 148      | 1.66 | 11       | 199   | 130      | 1.89 | 10       | 203   | 133      | 0.92 | 11       | 197   | 129      | 0.95 | 12       | 180   | 118      | 1.04 | 14       | 150   | 98       | 1.25 | 16       | 133   | 87       | 1.41 | 0.16     | 13607 | 8901     | 0.83 | 0.18     | 11775 | 7703     | 0.96 | 0.21     | 10346 | 6768     | 1.09 | 0.23     | 9131  | 5973     | 1.24 | 0.27     | 7760  | 5076     | 1.45 | 0.31     | 6827  | 4466     | 1.7  | 0.24     | 8897  | 5820     | 0.83 | 0.27     | 7984  | 5223     | 0.92 | 0.30     | 6982  | 4567     | 1.06 | 0.40     | 5262  | 3442     | 1.40 | 0.46     | 4643  | 3037     | 1.59 | 0.50     | 4213  | 2756     | 1.75 | 0.59     | 3621  | 2369     | 2.0  | 0.67     | 3161  | 2068     | 2.3  | 0.87     | 2441  | 1597     | 3.0  | 0.99     | 2142  | 1401     | 3.4  | 3.0      | 744   | 281.71   | 1.9  | 3.2      | 694   | 262.93   | 2.0  | 3.8      | 596   | 225.79   | 2.4  | 4.3      | 524   | 198.31   | 2.7  | 4.5      | 497   | 188.40   | 2.8  | 0.47     | 4508  | 2949     | 0.90 | 0.54     | 3959  | 2590     | 1.02 | 0.61     | 3466  | 2267     | 1.17 | 0.63     | 3362  | 2199     | 1.20 | 0.80     | 2658  | 1739     | 1.52 | 0.90     | 2357  | 1542     | 1.71 | 1.0      | 2032  | 1329     | 2.0  | 1.2      | 1807  | 1182     | 2.2  | 1.3      | 1578  | 1032     | 2.6  | F 127R77 |       |          |      |          | 4     | F 107R77 |      |          |       |          | 4    | F 97R57  |       |          |      |          | 4     | F 77     |      |          |       |          | 6    |          |       |          |      |          |       |          |      |          |       |          |      |          |       |          |      |          |       |          |      |          |       |          |      |          |       |          |       |          |       |          |       |          |      |          |       |          |      |          |       |          |      |          |       |          |      |          |       |          |       |          |       |          |       |          |      |          |       |          |      |          |       |          |      |          |       |          |      |          |       |          |      |          |      |          |      |          |      |          |      |          |      |          |      |          |      |          |      |          |      |          |      |          |      |          |      |          |      |          |      |          |      |          |      |          |      |          |      |          |      |          |      |          |      |          |      |          |      |          |      |          |      |          |      |          |      |          |      |          |      |          |      |          |      |          |      |          |      |          |      |          |      |          |      |         |      |          |      |         |      |          |      |          |      |          |      |          |      |          |      |          |      |          |      |          |      |         |      |          |      |         |     |          |      |          |     |          |      |          |     |          |   |          |   |         |   |          |   |         |   |      |   |         |   |      |   |  |   |      |   |  |  |  |   |
| 2.4           | 874        | 572      | 0.88                   | 2.7         | 778     | 509           | 0.99       | 3.2      | 668                    | 437         | 1.15    | 2.8      | 764   | 500      | 1.01 | 3.1      | 694   | 454      | 1.11 | 3.5      | 599   | 392      | 1.29 | 4.2      | 509   | 333      | 1.51 | 4.7      | 454   | 297      | 1.70 | 5.3      | 399   | 261      | 1.93 | 5.8      | 364   | 238      | 2.1  | 3.6      | 582   | 387      | 0.95 | 4.2      | 504   | 330      | 1.12 | 5.6      | 381   | 249      | 1.48 | 3.6      | 584   | 382      | 0.97 | 4.2      | 505   | 330      | 1.12 | 4.7      | 456   | 298      | 1.24 | 5.3      | 401   | 262      | 1.41 | 6.2      | 345   | 226      | 1.63 | 7.0      | 306   | 200      | 1.84 | 8.4      | 254   | 166      | 2.2  | 6.1      | 347   | 227      | 1.08 | 6.4      | 330   | 216      | 1.14 | 7.2      | 294   | 192      | 1.28 | 8.0      | 264   | 173      | 1.42 | 6.0      | 352   | 230      | 1.07 | 6.4      | 330   | 216      | 1.14 | 7.4      | 287   | 188      | 1.31 | 7.9      | 269   | 176      | 1.40 | 9.4      | 226   | 148      | 1.66 | 11       | 199   | 130      | 1.89 | 10       | 203   | 133      | 0.92 | 11       | 197   | 129      | 0.95 | 12       | 180   | 118      | 1.04 | 14       | 150   | 98       | 1.25 | 16       | 133   | 87       | 1.41 | 0.16     | 13607 | 8901     | 0.83 | 0.18     | 11775 | 7703     | 0.96 | 0.21     | 10346 | 6768     | 1.09 | 0.23     | 9131  | 5973     | 1.24 | 0.27     | 7760  | 5076     | 1.45 | 0.31     | 6827  | 4466     | 1.7  | 0.24     | 8897  | 5820     | 0.83 | 0.27     | 7984  | 5223     | 0.92 | 0.30     | 6982  | 4567     | 1.06 | 0.40     | 5262  | 3442     | 1.40 | 0.46     | 4643  | 3037     | 1.59 | 0.50     | 4213  | 2756     | 1.75 | 0.59     | 3621  | 2369     | 2.0  | 0.67     | 3161  | 2068     | 2.3  | 0.87     | 2441  | 1597     | 3.0  | 0.99     | 2142  | 1401     | 3.4  | 3.0      | 744   | 281.71   | 1.9  | 3.2      | 694   | 262.93   | 2.0  | 3.8      | 596   | 225.79   | 2.4  | 4.3      | 524   | 198.31   | 2.7  | 4.5      | 497   | 188.40   | 2.8  | 0.47     | 4508  | 2949     | 0.90 | 0.54     | 3959  | 2590     | 1.02 | 0.61     | 3466  | 2267     | 1.17 | 0.63     | 3362  | 2199     | 1.20 | 0.80     | 2658  | 1739     | 1.52 | 0.90     | 2357  | 1542     | 1.71 | 1.0      | 2032  | 1329     | 2.0  | 1.2      | 1807  | 1182     | 2.2  | 1.3      | 1578  | 1032     | 2.6  | F 127R77 |       |          |      |          | 4     | F 107R77 |      |          |       |          | 4    | F 97R57  |       |          |      |          | 4     | F 77     |      |          |       |          | 6    |          |       |          |      |          |       |          |      |          |       |          |      |          |       |          |      |          |       |          |      |          |       |          |      |          |       |          |      |          |       |          |       |          |       |          |       |          |      |          |       |          |      |          |       |          |      |          |       |          |      |          |       |          |       |          |       |          |       |          |      |          |       |          |      |          |       |          |      |          |       |          |      |          |       |          |      |          |      |          |      |          |      |          |      |          |      |          |      |          |      |          |      |          |      |          |      |          |      |          |      |          |      |          |      |          |      |          |      |          |      |          |      |          |      |          |      |          |      |          |      |          |      |          |      |          |      |          |      |          |      |          |      |          |      |          |      |          |      |          |      |          |      |          |      |          |      |          |      |         |      |          |      |         |      |          |      |          |      |          |      |          |      |          |      |          |      |          |      |          |      |         |      |          |      |         |     |          |      |          |     |          |      |          |     |          |   |          |   |         |   |          |   |         |   |      |   |         |   |      |   |  |   |      |   |  |  |  |   |
| 2.7           | 778        | 509      | 0.99                   | 3.2         | 668     | 437           | 1.15       | 2.8      | 764                    | 500         | 1.01    | 3.1      | 694   | 454      | 1.11 | 3.5      | 599   | 392      | 1.29 | 4.2      | 509   | 333      | 1.51 | 4.7      | 454   | 297      | 1.70 | 5.3      | 399   | 261      | 1.93 | 5.8      | 364   | 238      | 2.1  | 3.6      | 582   | 387      | 0.95 | 4.2      | 504   | 330      | 1.12 | 5.6      | 381   | 249      | 1.48 | 3.6      | 584   | 382      | 0.97 | 4.2      | 505   | 330      | 1.12 | 4.7      | 456   | 298      | 1.24 | 5.3      | 401   | 262      | 1.41 | 6.2      | 345   | 226      | 1.63 | 7.0      | 306   | 200      | 1.84 | 8.4      | 254   | 166      | 2.2  | 6.1      | 347   | 227      | 1.08 | 6.4      | 330   | 216      | 1.14 | 7.2      | 294   | 192      | 1.28 | 8.0      | 264   | 173      | 1.42 | 6.0      | 352   | 230      | 1.07 | 6.4      | 330   | 216      | 1.14 | 7.4      | 287   | 188      | 1.31 | 7.9      | 269   | 176      | 1.40 | 9.4      | 226   | 148      | 1.66 | 11       | 199   | 130      | 1.89 | 10       | 203   | 133      | 0.92 | 11       | 197   | 129      | 0.95 | 12       | 180   | 118      | 1.04 | 14       | 150   | 98       | 1.25 | 16       | 133   | 87       | 1.41 | 0.16     | 13607 | 8901     | 0.83 | 0.18     | 11775 | 7703     | 0.96 | 0.21     | 10346 | 6768     | 1.09 | 0.23     | 9131  | 5973     | 1.24 | 0.27     | 7760  | 5076     | 1.45 | 0.31     | 6827  | 4466     | 1.7  | 0.24     | 8897  | 5820     | 0.83 | 0.27     | 7984  | 5223     | 0.92 | 0.30     | 6982  | 4567     | 1.06 | 0.40     | 5262  | 3442     | 1.40 | 0.46     | 4643  | 3037     | 1.59 | 0.50     | 4213  | 2756     | 1.75 | 0.59     | 3621  | 2369     | 2.0  | 0.67     | 3161  | 2068     | 2.3  | 0.87     | 2441  | 1597     | 3.0  | 0.99     | 2142  | 1401     | 3.4  | 3.0      | 744   | 281.71   | 1.9  | 3.2      | 694   | 262.93   | 2.0  | 3.8      | 596   | 225.79   | 2.4  | 4.3      | 524   | 198.31   | 2.7  | 4.5      | 497   | 188.40   | 2.8  | 0.47     | 4508  | 2949     | 0.90 | 0.54     | 3959  | 2590     | 1.02 | 0.61     | 3466  | 2267     | 1.17 | 0.63     | 3362  | 2199     | 1.20 | 0.80     | 2658  | 1739     | 1.52 | 0.90     | 2357  | 1542     | 1.71 | 1.0      | 2032  | 1329     | 2.0  | 1.2      | 1807  | 1182     | 2.2  | 1.3      | 1578  | 1032     | 2.6  | F 127R77 |       |          |      |          | 4     | F 107R77 |      |          |       |          | 4    | F 97R57  |       |          |      |          | 4     | F 77     |      |          |       |          | 6    |          |       |          |      |          |       |          |      |          |       |          |      |          |       |          |      |          |       |          |      |          |       |          |      |          |       |          |      |          |       |          |      |          |       |          |       |          |       |          |       |          |      |          |       |          |      |          |       |          |      |          |       |          |      |          |       |          |       |          |       |          |       |          |      |          |       |          |      |          |       |          |      |          |       |          |      |          |       |          |      |          |      |          |      |          |      |          |      |          |      |          |      |          |      |          |      |          |      |          |      |          |      |          |      |          |      |          |      |          |      |          |      |          |      |          |      |          |      |          |      |          |      |          |      |          |      |          |      |          |      |          |      |          |      |          |      |          |      |          |      |          |      |          |      |          |      |          |      |          |      |          |      |         |      |          |      |         |      |          |      |          |      |          |      |          |      |          |      |          |      |          |      |          |      |         |      |          |      |         |     |          |      |          |     |          |      |          |     |          |   |          |   |         |   |          |   |         |   |      |   |         |   |      |   |  |   |      |   |  |  |  |   |
| 3.2           | 668        | 437      | 1.15                   | 2.8         | 764     | 500           | 1.01       | 3.1      | 694                    | 454         | 1.11    | 3.5      | 599   | 392      | 1.29 | 4.2      | 509   | 333      | 1.51 | 4.7      | 454   | 297      | 1.70 | 5.3      | 399   | 261      | 1.93 | 5.8      | 364   | 238      | 2.1  | 3.6      | 582   | 387      | 0.95 | 4.2      | 504   | 330      | 1.12 | 5.6      | 381   | 249      | 1.48 | 3.6      | 584   | 382      | 0.97 | 4.2      | 505   | 330      | 1.12 | 4.7      | 456   | 298      | 1.24 | 5.3      | 401   | 262      | 1.41 | 6.2      | 345   | 226      | 1.63 | 7.0      | 306   | 200      | 1.84 | 8.4      | 254   | 166      | 2.2  | 6.1      | 347   | 227      | 1.08 | 6.4      | 330   | 216      | 1.14 | 7.2      | 294   | 192      | 1.28 | 8.0      | 264   | 173      | 1.42 | 6.0      | 352   | 230      | 1.07 | 6.4      | 330   | 216      | 1.14 | 7.4      | 287   | 188      | 1.31 | 7.9      | 269   | 176      | 1.40 | 9.4      | 226   | 148      | 1.66 | 11       | 199   | 130      | 1.89 | 10       | 203   | 133      | 0.92 | 11       | 197   | 129      | 0.95 | 12       | 180   | 118      | 1.04 | 14       | 150   | 98       | 1.25 | 16       | 133   | 87       | 1.41 | 0.16     | 13607 | 8901     | 0.83 | 0.18     | 11775 | 7703     | 0.96 | 0.21     | 10346 | 6768     | 1.09 | 0.23     | 9131  | 5973     | 1.24 | 0.27     | 7760  | 5076     | 1.45 | 0.31     | 6827  | 4466     | 1.7  | 0.24     | 8897  | 5820     | 0.83 | 0.27     | 7984  | 5223     | 0.92 | 0.30     | 6982  | 4567     | 1.06 | 0.40     | 5262  | 3442     | 1.40 | 0.46     | 4643  | 3037     | 1.59 | 0.50     | 4213  | 2756     | 1.75 | 0.59     | 3621  | 2369     | 2.0  | 0.67     | 3161  | 2068     | 2.3  | 0.87     | 2441  | 1597     | 3.0  | 0.99     | 2142  | 1401     | 3.4  | 3.0      | 744   | 281.71   | 1.9  | 3.2      | 694   | 262.93   | 2.0  | 3.8      | 596   | 225.79   | 2.4  | 4.3      | 524   | 198.31   | 2.7  | 4.5      | 497   | 188.40   | 2.8  | 0.47     | 4508  | 2949     | 0.90 | 0.54     | 3959  | 2590     | 1.02 | 0.61     | 3466  | 2267     | 1.17 | 0.63     | 3362  | 2199     | 1.20 | 0.80     | 2658  | 1739     | 1.52 | 0.90     | 2357  | 1542     | 1.71 | 1.0      | 2032  | 1329     | 2.0  | 1.2      | 1807  | 1182     | 2.2  | 1.3      | 1578  | 1032     | 2.6  | F 127R77 |       |          |      |          | 4     | F 107R77 |      |          |       |          | 4    | F 97R57  |       |          |      |          | 4     | F 77     |      |          |       |          | 6    |          |       |          |      |          |       |          |      |          |       |          |      |          |       |          |      |          |       |          |      |          |       |          |      |          |       |          |      |          |       |          |      |          |       |          |      |          |       |          |       |          |       |          |       |          |      |          |       |          |      |          |       |          |      |          |       |          |      |          |       |          |       |          |       |          |       |          |      |          |       |          |      |          |       |          |      |          |       |          |      |          |       |          |      |          |      |          |      |          |      |          |      |          |      |          |      |          |      |          |      |          |      |          |      |          |      |          |      |          |      |          |      |          |      |          |      |          |      |          |      |          |      |          |      |          |      |          |      |          |      |          |      |          |      |          |      |          |      |          |      |          |      |          |      |          |      |          |      |          |      |          |      |          |      |          |      |         |      |          |      |         |      |          |      |          |      |          |      |          |      |          |      |          |      |          |      |          |      |         |      |          |      |         |     |          |      |          |     |          |      |          |     |          |   |          |   |         |   |          |   |         |   |      |   |         |   |      |   |  |   |      |   |  |  |  |   |
| 2.8           | 764        | 500      | 1.01                   | 3.1         | 694     | 454           | 1.11       | 3.5      | 599                    | 392         | 1.29    | 4.2      | 509   | 333      | 1.51 | 4.7      | 454   | 297      | 1.70 | 5.3      | 399   | 261      | 1.93 | 5.8      | 364   | 238      | 2.1  | 3.6      | 582   | 387      | 0.95 | 4.2      | 504   | 330      | 1.12 | 5.6      | 381   | 249      | 1.48 | 3.6      | 584   | 382      | 0.97 | 4.2      | 505   | 330      | 1.12 | 4.7      | 456   | 298      | 1.24 | 5.3      | 401   | 262      | 1.41 | 6.2      | 345   | 226      | 1.63 | 7.0      | 306   | 200      | 1.84 | 8.4      | 254   | 166      | 2.2  | 6.1      | 347   | 227      | 1.08 | 6.4      | 330   | 216      | 1.14 | 7.2      | 294   | 192      | 1.28 | 8.0      | 264   | 173      | 1.42 | 6.0      | 352   | 230      | 1.07 | 6.4      | 330   | 216      | 1.14 | 7.4      | 287   | 188      | 1.31 | 7.9      | 269   | 176      | 1.40 | 9.4      | 226   | 148      | 1.66 | 11       | 199   | 130      | 1.89 | 10       | 203   | 133      | 0.92 | 11       | 197   | 129      | 0.95 | 12       | 180   | 118      | 1.04 | 14       | 150   | 98       | 1.25 | 16       | 133   | 87       | 1.41 | 0.16     | 13607 | 8901     | 0.83 | 0.18     | 11775 | 7703     | 0.96 | 0.21     | 10346 | 6768     | 1.09 | 0.23     | 9131  | 5973     | 1.24 | 0.27     | 7760  | 5076     | 1.45 | 0.31     | 6827  | 4466     | 1.7  | 0.24     | 8897  | 5820     | 0.83 | 0.27     | 7984  | 5223     | 0.92 | 0.30     | 6982  | 4567     | 1.06 | 0.40     | 5262  | 3442     | 1.40 | 0.46     | 4643  | 3037     | 1.59 | 0.50     | 4213  | 2756     | 1.75 | 0.59     | 3621  | 2369     | 2.0  | 0.67     | 3161  | 2068     | 2.3  | 0.87     | 2441  | 1597     | 3.0  | 0.99     | 2142  | 1401     | 3.4  | 3.0      | 744   | 281.71   | 1.9  | 3.2      | 694   | 262.93   | 2.0  | 3.8      | 596   | 225.79   | 2.4  | 4.3      | 524   | 198.31   | 2.7  | 4.5      | 497   | 188.40   | 2.8  | 0.47     | 4508  | 2949     | 0.90 | 0.54     | 3959  | 2590     | 1.02 | 0.61     | 3466  | 2267     | 1.17 | 0.63     | 3362  | 2199     | 1.20 | 0.80     | 2658  | 1739     | 1.52 | 0.90     | 2357  | 1542     | 1.71 | 1.0      | 2032  | 1329     | 2.0  | 1.2      | 1807  | 1182     | 2.2  | 1.3      | 1578  | 1032     | 2.6  | F 127R77 |       |          |      |          | 4     | F 107R77 |      |          |       |          | 4    | F 97R57  |       |          |      |          | 4     | F 77     |      |          |       |          | 6    |          |       |          |      |          |       |          |      |          |       |          |      |          |       |          |      |          |       |          |      |          |       |          |      |          |       |          |      |          |       |          |      |          |       |          |      |          |       |          |      |          |       |          |       |          |       |          |       |          |      |          |       |          |      |          |       |          |      |          |       |          |      |          |       |          |       |          |       |          |       |          |      |          |       |          |      |          |       |          |      |          |       |          |      |          |       |          |      |          |      |          |      |          |      |          |      |          |      |          |      |          |      |          |      |          |      |          |      |          |      |          |      |          |      |          |      |          |      |          |      |          |      |          |      |          |      |          |      |          |      |          |      |          |      |          |      |          |      |          |      |          |      |          |      |          |      |          |      |          |      |          |      |          |      |          |      |          |      |          |      |         |      |          |      |         |      |          |      |          |      |          |      |          |      |          |      |          |      |          |      |          |      |         |      |          |      |         |     |          |      |          |     |          |      |          |     |          |   |          |   |         |   |          |   |         |   |      |   |         |   |      |   |  |   |      |   |  |  |  |   |
| 3.1           | 694        | 454      | 1.11                   | 3.5         | 599     | 392           | 1.29       | 4.2      | 509                    | 333         | 1.51    | 4.7      | 454   | 297      | 1.70 | 5.3      | 399   | 261      | 1.93 | 5.8      | 364   | 238      | 2.1  | 3.6      | 582   | 387      | 0.95 | 4.2      | 504   | 330      | 1.12 | 5.6      | 381   | 249      | 1.48 | 3.6      | 584   | 382      | 0.97 | 4.2      | 505   | 330      | 1.12 | 4.7      | 456   | 298      | 1.24 | 5.3      | 401   | 262      | 1.41 | 6.2      | 345   | 226      | 1.63 | 7.0      | 306   | 200      | 1.84 | 8.4      | 254   | 166      | 2.2  | 6.1      | 347   | 227      | 1.08 | 6.4      | 330   | 216      | 1.14 | 7.2      | 294   | 192      | 1.28 | 8.0      | 264   | 173      | 1.42 | 6.0      | 352   | 230      | 1.07 | 6.4      | 330   | 216      | 1.14 | 7.4      | 287   | 188      | 1.31 | 7.9      | 269   | 176      | 1.40 | 9.4      | 226   | 148      | 1.66 | 11       | 199   | 130      | 1.89 | 10       | 203   | 133      | 0.92 | 11       | 197   | 129      | 0.95 | 12       | 180   | 118      | 1.04 | 14       | 150   | 98       | 1.25 | 16       | 133   | 87       | 1.41 | 0.16     | 13607 | 8901     | 0.83 | 0.18     | 11775 | 7703     | 0.96 | 0.21     | 10346 | 6768     | 1.09 | 0.23     | 9131  | 5973     | 1.24 | 0.27     | 7760  | 5076     | 1.45 | 0.31     | 6827  | 4466     | 1.7  | 0.24     | 8897  | 5820     | 0.83 | 0.27     | 7984  | 5223     | 0.92 | 0.30     | 6982  | 4567     | 1.06 | 0.40     | 5262  | 3442     | 1.40 | 0.46     | 4643  | 3037     | 1.59 | 0.50     | 4213  | 2756     | 1.75 | 0.59     | 3621  | 2369     | 2.0  | 0.67     | 3161  | 2068     | 2.3  | 0.87     | 2441  | 1597     | 3.0  | 0.99     | 2142  | 1401     | 3.4  | 3.0      | 744   | 281.71   | 1.9  | 3.2      | 694   | 262.93   | 2.0  | 3.8      | 596   | 225.79   | 2.4  | 4.3      | 524   | 198.31   | 2.7  | 4.5      | 497   | 188.40   | 2.8  | 0.47     | 4508  | 2949     | 0.90 | 0.54     | 3959  | 2590     | 1.02 | 0.61     | 3466  | 2267     | 1.17 | 0.63     | 3362  | 2199     | 1.20 | 0.80     | 2658  | 1739     | 1.52 | 0.90     | 2357  | 1542     | 1.71 | 1.0      | 2032  | 1329     | 2.0  | 1.2      | 1807  | 1182     | 2.2  | 1.3      | 1578  | 1032     | 2.6  | F 127R77 |       |          |      |          | 4     | F 107R77 |      |          |       |          | 4    | F 97R57  |       |          |      |          | 4     | F 77     |      |          |       |          | 6    |          |       |          |      |          |       |          |      |          |       |          |      |          |       |          |      |          |       |          |      |          |       |          |      |          |       |          |      |          |       |          |      |          |       |          |      |          |       |          |      |          |       |          |      |          |       |          |       |          |       |          |       |          |      |          |       |          |      |          |       |          |      |          |       |          |      |          |       |          |       |          |       |          |       |          |      |          |       |          |      |          |       |          |      |          |       |          |      |          |       |          |      |          |      |          |      |          |      |          |      |          |      |          |      |          |      |          |      |          |      |          |      |          |      |          |      |          |      |          |      |          |      |          |      |          |      |          |      |          |      |          |      |          |      |          |      |          |      |          |      |          |      |          |      |          |      |          |      |          |      |          |      |          |      |          |      |          |      |          |      |          |      |          |      |         |      |          |      |         |      |          |      |          |      |          |      |          |      |          |      |          |      |          |      |          |      |         |      |          |      |         |     |          |      |          |     |          |      |          |     |          |   |          |   |         |   |          |   |         |   |      |   |         |   |      |   |  |   |      |   |  |  |  |   |
| 3.5           | 599        | 392      | 1.29                   | 4.2         | 509     | 333           | 1.51       | 4.7      | 454                    | 297         | 1.70    | 5.3      | 399   | 261      | 1.93 | 5.8      | 364   | 238      | 2.1  | 3.6      | 582   | 387      | 0.95 | 4.2      | 504   | 330      | 1.12 | 5.6      | 381   | 249      | 1.48 | 3.6      | 584   | 382      | 0.97 | 4.2      | 505   | 330      | 1.12 | 4.7      | 456   | 298      | 1.24 | 5.3      | 401   | 262      | 1.41 | 6.2      | 345   | 226      | 1.63 | 7.0      | 306   | 200      | 1.84 | 8.4      | 254   | 166      | 2.2  | 6.1      | 347   | 227      | 1.08 | 6.4      | 330   | 216      | 1.14 | 7.2      | 294   | 192      | 1.28 | 8.0      | 264   | 173      | 1.42 | 6.0      | 352   | 230      | 1.07 | 6.4      | 330   | 216      | 1.14 | 7.4      | 287   | 188      | 1.31 | 7.9      | 269   | 176      | 1.40 | 9.4      | 226   | 148      | 1.66 | 11       | 199   | 130      | 1.89 | 10       | 203   | 133      | 0.92 | 11       | 197   | 129      | 0.95 | 12       | 180   | 118      | 1.04 | 14       | 150   | 98       | 1.25 | 16       | 133   | 87       | 1.41 | 0.16     | 13607 | 8901     | 0.83 | 0.18     | 11775 | 7703     | 0.96 | 0.21     | 10346 | 6768     | 1.09 | 0.23     | 9131  | 5973     | 1.24 | 0.27     | 7760  | 5076     | 1.45 | 0.31     | 6827  | 4466     | 1.7  | 0.24     | 8897  | 5820     | 0.83 | 0.27     | 7984  | 5223     | 0.92 | 0.30     | 6982  | 4567     | 1.06 | 0.40     | 5262  | 3442     | 1.40 | 0.46     | 4643  | 3037     | 1.59 | 0.50     | 4213  | 2756     | 1.75 | 0.59     | 3621  | 2369     | 2.0  | 0.67     | 3161  | 2068     | 2.3  | 0.87     | 2441  | 1597     | 3.0  | 0.99     | 2142  | 1401     | 3.4  | 3.0      | 744   | 281.71   | 1.9  | 3.2      | 694   | 262.93   | 2.0  | 3.8      | 596   | 225.79   | 2.4  | 4.3      | 524   | 198.31   | 2.7  | 4.5      | 497   | 188.40   | 2.8  | 0.47     | 4508  | 2949     | 0.90 | 0.54     | 3959  | 2590     | 1.02 | 0.61     | 3466  | 2267     | 1.17 | 0.63     | 3362  | 2199     | 1.20 | 0.80     | 2658  | 1739     | 1.52 | 0.90     | 2357  | 1542     | 1.71 | 1.0      | 2032  | 1329     | 2.0  | 1.2      | 1807  | 1182     | 2.2  | 1.3      | 1578  | 1032     | 2.6  | F 127R77 |       |          |      |          | 4     | F 107R77 |      |          |       |          | 4    | F 97R57  |       |          |      |          | 4     | F 77     |      |          |       |          | 6    |          |       |          |      |          |       |          |      |          |       |          |      |          |       |          |      |          |       |          |      |          |       |          |      |          |       |          |      |          |       |          |      |          |       |          |      |          |       |          |      |          |       |          |      |          |       |          |      |          |       |          |       |          |       |          |       |          |      |          |       |          |      |          |       |          |      |          |       |          |      |          |       |          |       |          |       |          |       |          |      |          |       |          |      |          |       |          |      |          |       |          |      |          |       |          |      |          |      |          |      |          |      |          |      |          |      |          |      |          |      |          |      |          |      |          |      |          |      |          |      |          |      |          |      |          |      |          |      |          |      |          |      |          |      |          |      |          |      |          |      |          |      |          |      |          |      |          |      |          |      |          |      |          |      |          |      |          |      |          |      |          |      |          |      |          |      |          |      |         |      |          |      |         |      |          |      |          |      |          |      |          |      |          |      |          |      |          |      |          |      |         |      |          |      |         |     |          |      |          |     |          |      |          |     |          |   |          |   |         |   |          |   |         |   |      |   |         |   |      |   |  |   |      |   |  |  |  |   |
| 4.2           | 509        | 333      | 1.51                   | 4.7         | 454     | 297           | 1.70       | 5.3      | 399                    | 261         | 1.93    | 5.8      | 364   | 238      | 2.1  | 3.6      | 582   | 387      | 0.95 | 4.2      | 504   | 330      | 1.12 | 5.6      | 381   | 249      | 1.48 | 3.6      | 584   | 382      | 0.97 | 4.2      | 505   | 330      | 1.12 | 4.7      | 456   | 298      | 1.24 | 5.3      | 401   | 262      | 1.41 | 6.2      | 345   | 226      | 1.63 | 7.0      | 306   | 200      | 1.84 | 8.4      | 254   | 166      | 2.2  | 6.1      | 347   | 227      | 1.08 | 6.4      | 330   | 216      | 1.14 | 7.2      | 294   | 192      | 1.28 | 8.0      | 264   | 173      | 1.42 | 6.0      | 352   | 230      | 1.07 | 6.4      | 330   | 216      | 1.14 | 7.4      | 287   | 188      | 1.31 | 7.9      | 269   | 176      | 1.40 | 9.4      | 226   | 148      | 1.66 | 11       | 199   | 130      | 1.89 | 10       | 203   | 133      | 0.92 | 11       | 197   | 129      | 0.95 | 12       | 180   | 118      | 1.04 | 14       | 150   | 98       | 1.25 | 16       | 133   | 87       | 1.41 | 0.16     | 13607 | 8901     | 0.83 | 0.18     | 11775 | 7703     | 0.96 | 0.21     | 10346 | 6768     | 1.09 | 0.23     | 9131  | 5973     | 1.24 | 0.27     | 7760  | 5076     | 1.45 | 0.31     | 6827  | 4466     | 1.7  | 0.24     | 8897  | 5820     | 0.83 | 0.27     | 7984  | 5223     | 0.92 | 0.30     | 6982  | 4567     | 1.06 | 0.40     | 5262  | 3442     | 1.40 | 0.46     | 4643  | 3037     | 1.59 | 0.50     | 4213  | 2756     | 1.75 | 0.59     | 3621  | 2369     | 2.0  | 0.67     | 3161  | 2068     | 2.3  | 0.87     | 2441  | 1597     | 3.0  | 0.99     | 2142  | 1401     | 3.4  | 3.0      | 744   | 281.71   | 1.9  | 3.2      | 694   | 262.93   | 2.0  | 3.8      | 596   | 225.79   | 2.4  | 4.3      | 524   | 198.31   | 2.7  | 4.5      | 497   | 188.40   | 2.8  | 0.47     | 4508  | 2949     | 0.90 | 0.54     | 3959  | 2590     | 1.02 | 0.61     | 3466  | 2267     | 1.17 | 0.63     | 3362  | 2199     | 1.20 | 0.80     | 2658  | 1739     | 1.52 | 0.90     | 2357  | 1542     | 1.71 | 1.0      | 2032  | 1329     | 2.0  | 1.2      | 1807  | 1182     | 2.2  | 1.3      | 1578  | 1032     | 2.6  | F 127R77 |       |          |      |          | 4     | F 107R77 |      |          |       |          | 4    | F 97R57  |       |          |      |          | 4     | F 77     |      |          |       |          | 6    |          |       |          |      |          |       |          |      |          |       |          |      |          |       |          |      |          |       |          |      |          |       |          |      |          |       |          |      |          |       |          |      |          |       |          |      |          |       |          |      |          |       |          |      |          |       |          |      |          |       |          |      |          |       |          |       |          |       |          |       |          |      |          |       |          |      |          |       |          |      |          |       |          |      |          |       |          |       |          |       |          |       |          |      |          |       |          |      |          |       |          |      |          |       |          |      |          |       |          |      |          |      |          |      |          |      |          |      |          |      |          |      |          |      |          |      |          |      |          |      |          |      |          |      |          |      |          |      |          |      |          |      |          |      |          |      |          |      |          |      |          |      |          |      |          |      |          |      |          |      |          |      |          |      |          |      |          |      |          |      |          |      |          |      |          |      |          |      |          |      |          |      |         |      |          |      |         |      |          |      |          |      |          |      |          |      |          |      |          |      |          |      |          |      |         |      |          |      |         |     |          |      |          |     |          |      |          |     |          |   |          |   |         |   |          |   |         |   |      |   |         |   |      |   |  |   |      |   |  |  |  |   |
| 4.7           | 454        | 297      | 1.70                   | 5.3         | 399     | 261           | 1.93       | 5.8      | 364                    | 238         | 2.1     | 3.6      | 582   | 387      | 0.95 | 4.2      | 504   | 330      | 1.12 | 5.6      | 381   | 249      | 1.48 | 3.6      | 584   | 382      | 0.97 | 4.2      | 505   | 330      | 1.12 | 4.7      | 456   | 298      | 1.24 | 5.3      | 401   | 262      | 1.41 | 6.2      | 345   | 226      | 1.63 | 7.0      | 306   | 200      | 1.84 | 8.4      | 254   | 166      | 2.2  | 6.1      | 347   | 227      | 1.08 | 6.4      | 330   | 216      | 1.14 | 7.2      | 294   | 192      | 1.28 | 8.0      | 264   | 173      | 1.42 | 6.0      | 352   | 230      | 1.07 | 6.4      | 330   | 216      | 1.14 | 7.4      | 287   | 188      | 1.31 | 7.9      | 269   | 176      | 1.40 | 9.4      | 226   | 148      | 1.66 | 11       | 199   | 130      | 1.89 | 10       | 203   | 133      | 0.92 | 11       | 197   | 129      | 0.95 | 12       | 180   | 118      | 1.04 | 14       | 150   | 98       | 1.25 | 16       | 133   | 87       | 1.41 | 0.16     | 13607 | 8901     | 0.83 | 0.18     | 11775 | 7703     | 0.96 | 0.21     | 10346 | 6768     | 1.09 | 0.23     | 9131  | 5973     | 1.24 | 0.27     | 7760  | 5076     | 1.45 | 0.31     | 6827  | 4466     | 1.7  | 0.24     | 8897  | 5820     | 0.83 | 0.27     | 7984  | 5223     | 0.92 | 0.30     | 6982  | 4567     | 1.06 | 0.40     | 5262  | 3442     | 1.40 | 0.46     | 4643  | 3037     | 1.59 | 0.50     | 4213  | 2756     | 1.75 | 0.59     | 3621  | 2369     | 2.0  | 0.67     | 3161  | 2068     | 2.3  | 0.87     | 2441  | 1597     | 3.0  | 0.99     | 2142  | 1401     | 3.4  | 3.0      | 744   | 281.71   | 1.9  | 3.2      | 694   | 262.93   | 2.0  | 3.8      | 596   | 225.79   | 2.4  | 4.3      | 524   | 198.31   | 2.7  | 4.5      | 497   | 188.40   | 2.8  | 0.47     | 4508  | 2949     | 0.90 | 0.54     | 3959  | 2590     | 1.02 | 0.61     | 3466  | 2267     | 1.17 | 0.63     | 3362  | 2199     | 1.20 | 0.80     | 2658  | 1739     | 1.52 | 0.90     | 2357  | 1542     | 1.71 | 1.0      | 2032  | 1329     | 2.0  | 1.2      | 1807  | 1182     | 2.2  | 1.3      | 1578  | 1032     | 2.6  | F 127R77 |       |          |      |          | 4     | F 107R77 |      |          |       |          | 4    | F 97R57  |       |          |      |          | 4     | F 77     |      |          |       |          | 6    |          |       |          |      |          |       |          |      |          |       |          |      |          |       |          |      |          |       |          |      |          |       |          |      |          |       |          |      |          |       |          |      |          |       |          |      |          |       |          |      |          |       |          |      |          |       |          |      |          |       |          |      |          |       |          |      |          |       |          |       |          |       |          |       |          |      |          |       |          |      |          |       |          |      |          |       |          |      |          |       |          |       |          |       |          |       |          |      |          |       |          |      |          |       |          |      |          |       |          |      |          |       |          |      |          |      |          |      |          |      |          |      |          |      |          |      |          |      |          |      |          |      |          |      |          |      |          |      |          |      |          |      |          |      |          |      |          |      |          |      |          |      |          |      |          |      |          |      |          |      |          |      |          |      |          |      |          |      |          |      |          |      |          |      |          |      |          |      |          |      |          |      |          |      |          |      |         |      |          |      |         |      |          |      |          |      |          |      |          |      |          |      |          |      |          |      |          |      |         |      |          |      |         |     |          |      |          |     |          |      |          |     |          |   |          |   |         |   |          |   |         |   |      |   |         |   |      |   |  |   |      |   |  |  |  |   |
| 5.3           | 399        | 261      | 1.93                   | 5.8         | 364     | 238           | 2.1        | 3.6      | 582                    | 387         | 0.95    | 4.2      | 504   | 330      | 1.12 | 5.6      | 381   | 249      | 1.48 | 3.6      | 584   | 382      | 0.97 | 4.2      | 505   | 330      | 1.12 | 4.7      | 456   | 298      | 1.24 | 5.3      | 401   | 262      | 1.41 | 6.2      | 345   | 226      | 1.63 | 7.0      | 306   | 200      | 1.84 | 8.4      | 254   | 166      | 2.2  | 6.1      | 347   | 227      | 1.08 | 6.4      | 330   | 216      | 1.14 | 7.2      | 294   | 192      | 1.28 | 8.0      | 264   | 173      | 1.42 | 6.0      | 352   | 230      | 1.07 | 6.4      | 330   | 216      | 1.14 | 7.4      | 287   | 188      | 1.31 | 7.9      | 269   | 176      | 1.40 | 9.4      | 226   | 148      | 1.66 | 11       | 199   | 130      | 1.89 | 10       | 203   | 133      | 0.92 | 11       | 197   | 129      | 0.95 | 12       | 180   | 118      | 1.04 | 14       | 150   | 98       | 1.25 | 16       | 133   | 87       | 1.41 | 0.16     | 13607 | 8901     | 0.83 | 0.18     | 11775 | 7703     | 0.96 | 0.21     | 10346 | 6768     | 1.09 | 0.23     | 9131  | 5973     | 1.24 | 0.27     | 7760  | 5076     | 1.45 | 0.31     | 6827  | 4466     | 1.7  | 0.24     | 8897  | 5820     | 0.83 | 0.27     | 7984  | 5223     | 0.92 | 0.30     | 6982  | 4567     | 1.06 | 0.40     | 5262  | 3442     | 1.40 | 0.46     | 4643  | 3037     | 1.59 | 0.50     | 4213  | 2756     | 1.75 | 0.59     | 3621  | 2369     | 2.0  | 0.67     | 3161  | 2068     | 2.3  | 0.87     | 2441  | 1597     | 3.0  | 0.99     | 2142  | 1401     | 3.4  | 3.0      | 744   | 281.71   | 1.9  | 3.2      | 694   | 262.93   | 2.0  | 3.8      | 596   | 225.79   | 2.4  | 4.3      | 524   | 198.31   | 2.7  | 4.5      | 497   | 188.40   | 2.8  | 0.47     | 4508  | 2949     | 0.90 | 0.54     | 3959  | 2590     | 1.02 | 0.61     | 3466  | 2267     | 1.17 | 0.63     | 3362  | 2199     | 1.20 | 0.80     | 2658  | 1739     | 1.52 | 0.90     | 2357  | 1542     | 1.71 | 1.0      | 2032  | 1329     | 2.0  | 1.2      | 1807  | 1182     | 2.2  | 1.3      | 1578  | 1032     | 2.6  | F 127R77 |       |          |      |          | 4     | F 107R77 |      |          |       |          | 4    | F 97R57  |       |          |      |          | 4     | F 77     |      |          |       |          | 6    |          |       |          |      |          |       |          |      |          |       |          |      |          |       |          |      |          |       |          |      |          |       |          |      |          |       |          |      |          |       |          |      |          |       |          |      |          |       |          |      |          |       |          |      |          |       |          |      |          |       |          |      |          |       |          |      |          |       |          |      |          |       |          |       |          |       |          |       |          |      |          |       |          |      |          |       |          |      |          |       |          |      |          |       |          |       |          |       |          |       |          |      |          |       |          |      |          |       |          |      |          |       |          |      |          |       |          |      |          |      |          |      |          |      |          |      |          |      |          |      |          |      |          |      |          |      |          |      |          |      |          |      |          |      |          |      |          |      |          |      |          |      |          |      |          |      |          |      |          |      |          |      |          |      |          |      |          |      |          |      |          |      |          |      |          |      |          |      |          |      |          |      |          |      |          |      |          |      |          |      |         |      |          |      |         |      |          |      |          |      |          |      |          |      |          |      |          |      |          |      |          |      |         |      |          |      |         |     |          |      |          |     |          |      |          |     |          |   |          |   |         |   |          |   |         |   |      |   |         |   |      |   |  |   |      |   |  |  |  |   |
| 5.8           | 364        | 238      | 2.1                    | 3.6         | 582     | 387           | 0.95       | 4.2      | 504                    | 330         | 1.12    | 5.6      | 381   | 249      | 1.48 | 3.6      | 584   | 382      | 0.97 | 4.2      | 505   | 330      | 1.12 | 4.7      | 456   | 298      | 1.24 | 5.3      | 401   | 262      | 1.41 | 6.2      | 345   | 226      | 1.63 | 7.0      | 306   | 200      | 1.84 | 8.4      | 254   | 166      | 2.2  | 6.1      | 347   | 227      | 1.08 | 6.4      | 330   | 216      | 1.14 | 7.2      | 294   | 192      | 1.28 | 8.0      | 264   | 173      | 1.42 | 6.0      | 352   | 230      | 1.07 | 6.4      | 330   | 216      | 1.14 | 7.4      | 287   | 188      | 1.31 | 7.9      | 269   | 176      | 1.40 | 9.4      | 226   | 148      | 1.66 | 11       | 199   | 130      | 1.89 | 10       | 203   | 133      | 0.92 | 11       | 197   | 129      | 0.95 | 12       | 180   | 118      | 1.04 | 14       | 150   | 98       | 1.25 | 16       | 133   | 87       | 1.41 | 0.16     | 13607 | 8901     | 0.83 | 0.18     | 11775 | 7703     | 0.96 | 0.21     | 10346 | 6768     | 1.09 | 0.23     | 9131  | 5973     | 1.24 | 0.27     | 7760  | 5076     | 1.45 | 0.31     | 6827  | 4466     | 1.7  | 0.24     | 8897  | 5820     | 0.83 | 0.27     | 7984  | 5223     | 0.92 | 0.30     | 6982  | 4567     | 1.06 | 0.40     | 5262  | 3442     | 1.40 | 0.46     | 4643  | 3037     | 1.59 | 0.50     | 4213  | 2756     | 1.75 | 0.59     | 3621  | 2369     | 2.0  | 0.67     | 3161  | 2068     | 2.3  | 0.87     | 2441  | 1597     | 3.0  | 0.99     | 2142  | 1401     | 3.4  | 3.0      | 744   | 281.71   | 1.9  | 3.2      | 694   | 262.93   | 2.0  | 3.8      | 596   | 225.79   | 2.4  | 4.3      | 524   | 198.31   | 2.7  | 4.5      | 497   | 188.40   | 2.8  | 0.47     | 4508  | 2949     | 0.90 | 0.54     | 3959  | 2590     | 1.02 | 0.61     | 3466  | 2267     | 1.17 | 0.63     | 3362  | 2199     | 1.20 | 0.80     | 2658  | 1739     | 1.52 | 0.90     | 2357  | 1542     | 1.71 | 1.0      | 2032  | 1329     | 2.0  | 1.2      | 1807  | 1182     | 2.2  | 1.3      | 1578  | 1032     | 2.6  | F 127R77 |       |          |      |          | 4     | F 107R77 |      |          |       |          | 4    | F 97R57  |       |          |      |          | 4     | F 77     |      |          |       |          | 6    |          |       |          |      |          |       |          |      |          |       |          |      |          |       |          |      |          |       |          |      |          |       |          |      |          |       |          |      |          |       |          |      |          |       |          |      |          |       |          |      |          |       |          |      |          |       |          |      |          |       |          |      |          |       |          |      |          |       |          |      |          |       |          |      |          |       |          |       |          |       |          |       |          |      |          |       |          |      |          |       |          |      |          |       |          |      |          |       |          |       |          |       |          |       |          |      |          |       |          |      |          |       |          |      |          |       |          |      |          |       |          |      |          |      |          |      |          |      |          |      |          |      |          |      |          |      |          |      |          |      |          |      |          |      |          |      |          |      |          |      |          |      |          |      |          |      |          |      |          |      |          |      |          |      |          |      |          |      |          |      |          |      |          |      |          |      |          |      |          |      |          |      |          |      |          |      |          |      |          |      |          |      |          |      |         |      |          |      |         |      |          |      |          |      |          |      |          |      |          |      |          |      |          |      |          |      |         |      |          |      |         |     |          |      |          |     |          |      |          |     |          |   |          |   |         |   |          |   |         |   |      |   |         |   |      |   |  |   |      |   |  |  |  |   |
| 3.6           | 582        | 387      | 0.95                   | 4.2         | 504     | 330           | 1.12       | 5.6      | 381                    | 249         | 1.48    | 3.6      | 584   | 382      | 0.97 | 4.2      | 505   | 330      | 1.12 | 4.7      | 456   | 298      | 1.24 | 5.3      | 401   | 262      | 1.41 | 6.2      | 345   | 226      | 1.63 | 7.0      | 306   | 200      | 1.84 | 8.4      | 254   | 166      | 2.2  | 6.1      | 347   | 227      | 1.08 | 6.4      | 330   | 216      | 1.14 | 7.2      | 294   | 192      | 1.28 | 8.0      | 264   | 173      | 1.42 | 6.0      | 352   | 230      | 1.07 | 6.4      | 330   | 216      | 1.14 | 7.4      | 287   | 188      | 1.31 | 7.9      | 269   | 176      | 1.40 | 9.4      | 226   | 148      | 1.66 | 11       | 199   | 130      | 1.89 | 10       | 203   | 133      | 0.92 | 11       | 197   | 129      | 0.95 | 12       | 180   | 118      | 1.04 | 14       | 150   | 98       | 1.25 | 16       | 133   | 87       | 1.41 | 0.16     | 13607 | 8901     | 0.83 | 0.18     | 11775 | 7703     | 0.96 | 0.21     | 10346 | 6768     | 1.09 | 0.23     | 9131  | 5973     | 1.24 | 0.27     | 7760  | 5076     | 1.45 | 0.31     | 6827  | 4466     | 1.7  | 0.24     | 8897  | 5820     | 0.83 | 0.27     | 7984  | 5223     | 0.92 | 0.30     | 6982  | 4567     | 1.06 | 0.40     | 5262  | 3442     | 1.40 | 0.46     | 4643  | 3037     | 1.59 | 0.50     | 4213  | 2756     | 1.75 | 0.59     | 3621  | 2369     | 2.0  | 0.67     | 3161  | 2068     | 2.3  | 0.87     | 2441  | 1597     | 3.0  | 0.99     | 2142  | 1401     | 3.4  | 3.0      | 744   | 281.71   | 1.9  | 3.2      | 694   | 262.93   | 2.0  | 3.8      | 596   | 225.79   | 2.4  | 4.3      | 524   | 198.31   | 2.7  | 4.5      | 497   | 188.40   | 2.8  | 0.47     | 4508  | 2949     | 0.90 | 0.54     | 3959  | 2590     | 1.02 | 0.61     | 3466  | 2267     | 1.17 | 0.63     | 3362  | 2199     | 1.20 | 0.80     | 2658  | 1739     | 1.52 | 0.90     | 2357  | 1542     | 1.71 | 1.0      | 2032  | 1329     | 2.0  | 1.2      | 1807  | 1182     | 2.2  | 1.3      | 1578  | 1032     | 2.6  | F 127R77 |       |          |      |          | 4     | F 107R77 |      |          |       |          | 4    | F 97R57  |       |          |      |          | 4     | F 77     |      |          |       |          | 6    |          |       |          |      |          |       |          |      |          |       |          |      |          |       |          |      |          |       |          |      |          |       |          |      |          |       |          |      |          |       |          |      |          |       |          |      |          |       |          |      |          |       |          |      |          |       |          |      |          |       |          |      |          |       |          |      |          |       |          |      |          |       |          |      |          |       |          |      |          |       |          |       |          |       |          |       |          |      |          |       |          |      |          |       |          |      |          |       |          |      |          |       |          |       |          |       |          |       |          |      |          |       |          |      |          |       |          |      |          |       |          |      |          |       |          |      |          |      |          |      |          |      |          |      |          |      |          |      |          |      |          |      |          |      |          |      |          |      |          |      |          |      |          |      |          |      |          |      |          |      |          |      |          |      |          |      |          |      |          |      |          |      |          |      |          |      |          |      |          |      |          |      |          |      |          |      |          |      |          |      |          |      |          |      |          |      |          |      |         |      |          |      |         |      |          |      |          |      |          |      |          |      |          |      |          |      |          |      |          |      |         |      |          |      |         |     |          |      |          |     |          |      |          |     |          |   |          |   |         |   |          |   |         |   |      |   |         |   |      |   |  |   |      |   |  |  |  |   |
| 4.2           | 504        | 330      | 1.12                   | 5.6         | 381     | 249           | 1.48       | 3.6      | 584                    | 382         | 0.97    | 4.2      | 505   | 330      | 1.12 | 4.7      | 456   | 298      | 1.24 | 5.3      | 401   | 262      | 1.41 | 6.2      | 345   | 226      | 1.63 | 7.0      | 306   | 200      | 1.84 | 8.4      | 254   | 166      | 2.2  | 6.1      | 347   | 227      | 1.08 | 6.4      | 330   | 216      | 1.14 | 7.2      | 294   | 192      | 1.28 | 8.0      | 264   | 173      | 1.42 | 6.0      | 352   | 230      | 1.07 | 6.4      | 330   | 216      | 1.14 | 7.4      | 287   | 188      | 1.31 | 7.9      | 269   | 176      | 1.40 | 9.4      | 226   | 148      | 1.66 | 11       | 199   | 130      | 1.89 | 10       | 203   | 133      | 0.92 | 11       | 197   | 129      | 0.95 | 12       | 180   | 118      | 1.04 | 14       | 150   | 98       | 1.25 | 16       | 133   | 87       | 1.41 | 0.16     | 13607 | 8901     | 0.83 | 0.18     | 11775 | 7703     | 0.96 | 0.21     | 10346 | 6768     | 1.09 | 0.23     | 9131  | 5973     | 1.24 | 0.27     | 7760  | 5076     | 1.45 | 0.31     | 6827  | 4466     | 1.7  | 0.24     | 8897  | 5820     | 0.83 | 0.27     | 7984  | 5223     | 0.92 | 0.30     | 6982  | 4567     | 1.06 | 0.40     | 5262  | 3442     | 1.40 | 0.46     | 4643  | 3037     | 1.59 | 0.50     | 4213  | 2756     | 1.75 | 0.59     | 3621  | 2369     | 2.0  | 0.67     | 3161  | 2068     | 2.3  | 0.87     | 2441  | 1597     | 3.0  | 0.99     | 2142  | 1401     | 3.4  | 3.0      | 744   | 281.71   | 1.9  | 3.2      | 694   | 262.93   | 2.0  | 3.8      | 596   | 225.79   | 2.4  | 4.3      | 524   | 198.31   | 2.7  | 4.5      | 497   | 188.40   | 2.8  | 0.47     | 4508  | 2949     | 0.90 | 0.54     | 3959  | 2590     | 1.02 | 0.61     | 3466  | 2267     | 1.17 | 0.63     | 3362  | 2199     | 1.20 | 0.80     | 2658  | 1739     | 1.52 | 0.90     | 2357  | 1542     | 1.71 | 1.0      | 2032  | 1329     | 2.0  | 1.2      | 1807  | 1182     | 2.2  | 1.3      | 1578  | 1032     | 2.6  | F 127R77 |       |          |      |          | 4     | F 107R77 |      |          |       |          | 4    | F 97R57  |       |          |      |          | 4     | F 77     |      |          |       |          | 6    |          |       |          |      |          |       |          |      |          |       |          |      |          |       |          |      |          |       |          |      |          |       |          |      |          |       |          |      |          |       |          |      |          |       |          |      |          |       |          |      |          |       |          |      |          |       |          |      |          |       |          |      |          |       |          |      |          |       |          |      |          |       |          |      |          |       |          |      |          |       |          |      |          |       |          |       |          |       |          |       |          |      |          |       |          |      |          |       |          |      |          |       |          |      |          |       |          |       |          |       |          |       |          |      |          |       |          |      |          |       |          |      |          |       |          |      |          |       |          |      |          |      |          |      |          |      |          |      |          |      |          |      |          |      |          |      |          |      |          |      |          |      |          |      |          |      |          |      |          |      |          |      |          |      |          |      |          |      |          |      |          |      |          |      |          |      |          |      |          |      |          |      |          |      |          |      |          |      |          |      |          |      |          |      |          |      |          |      |          |      |          |      |         |      |          |      |         |      |          |      |          |      |          |      |          |      |          |      |          |      |          |      |          |      |         |      |          |      |         |     |          |      |          |     |          |      |          |     |          |   |          |   |         |   |          |   |         |   |      |   |         |   |      |   |  |   |      |   |  |  |  |   |
| 5.6           | 381        | 249      | 1.48                   | 3.6         | 584     | 382           | 0.97       | 4.2      | 505                    | 330         | 1.12    | 4.7      | 456   | 298      | 1.24 | 5.3      | 401   | 262      | 1.41 | 6.2      | 345   | 226      | 1.63 | 7.0      | 306   | 200      | 1.84 | 8.4      | 254   | 166      | 2.2  | 6.1      | 347   | 227      | 1.08 | 6.4      | 330   | 216      | 1.14 | 7.2      | 294   | 192      | 1.28 | 8.0      | 264   | 173      | 1.42 | 6.0      | 352   | 230      | 1.07 | 6.4      | 330   | 216      | 1.14 | 7.4      | 287   | 188      | 1.31 | 7.9      | 269   | 176      | 1.40 | 9.4      | 226   | 148      | 1.66 | 11       | 199   | 130      | 1.89 | 10       | 203   | 133      | 0.92 | 11       | 197   | 129      | 0.95 | 12       | 180   | 118      | 1.04 | 14       | 150   | 98       | 1.25 | 16       | 133   | 87       | 1.41 | 0.16     | 13607 | 8901     | 0.83 | 0.18     | 11775 | 7703     | 0.96 | 0.21     | 10346 | 6768     | 1.09 | 0.23     | 9131  | 5973     | 1.24 | 0.27     | 7760  | 5076     | 1.45 | 0.31     | 6827  | 4466     | 1.7  | 0.24     | 8897  | 5820     | 0.83 | 0.27     | 7984  | 5223     | 0.92 | 0.30     | 6982  | 4567     | 1.06 | 0.40     | 5262  | 3442     | 1.40 | 0.46     | 4643  | 3037     | 1.59 | 0.50     | 4213  | 2756     | 1.75 | 0.59     | 3621  | 2369     | 2.0  | 0.67     | 3161  | 2068     | 2.3  | 0.87     | 2441  | 1597     | 3.0  | 0.99     | 2142  | 1401     | 3.4  | 3.0      | 744   | 281.71   | 1.9  | 3.2      | 694   | 262.93   | 2.0  | 3.8      | 596   | 225.79   | 2.4  | 4.3      | 524   | 198.31   | 2.7  | 4.5      | 497   | 188.40   | 2.8  | 0.47     | 4508  | 2949     | 0.90 | 0.54     | 3959  | 2590     | 1.02 | 0.61     | 3466  | 2267     | 1.17 | 0.63     | 3362  | 2199     | 1.20 | 0.80     | 2658  | 1739     | 1.52 | 0.90     | 2357  | 1542     | 1.71 | 1.0      | 2032  | 1329     | 2.0  | 1.2      | 1807  | 1182     | 2.2  | 1.3      | 1578  | 1032     | 2.6  | F 127R77 |       |          |      |          | 4     | F 107R77 |      |          |       |          | 4    | F 97R57  |       |          |      |          | 4     | F 77     |      |          |       |          | 6    |          |       |          |      |          |       |          |      |          |       |          |      |          |       |          |      |          |       |          |      |          |       |          |      |          |       |          |      |          |       |          |      |          |       |          |      |          |       |          |      |          |       |          |      |          |       |          |      |          |       |          |      |          |       |          |      |          |       |          |      |          |       |          |      |          |       |          |      |          |       |          |      |          |       |          |      |          |       |          |       |          |       |          |       |          |      |          |       |          |      |          |       |          |      |          |       |          |      |          |       |          |       |          |       |          |       |          |      |          |       |          |      |          |       |          |      |          |       |          |      |          |       |          |      |          |      |          |      |          |      |          |      |          |      |          |      |          |      |          |      |          |      |          |      |          |      |          |      |          |      |          |      |          |      |          |      |          |      |          |      |          |      |          |      |          |      |          |      |          |      |          |      |          |      |          |      |          |      |          |      |          |      |          |      |          |      |          |      |          |      |          |      |          |      |          |      |         |      |          |      |         |      |          |      |          |      |          |      |          |      |          |      |          |      |          |      |          |      |         |      |          |      |         |     |          |      |          |     |          |      |          |     |          |   |          |   |         |   |          |   |         |   |      |   |         |   |      |   |  |   |      |   |  |  |  |   |
| 3.6           | 584        | 382      | 0.97                   | 4.2         | 505     | 330           | 1.12       | 4.7      | 456                    | 298         | 1.24    | 5.3      | 401   | 262      | 1.41 | 6.2      | 345   | 226      | 1.63 | 7.0      | 306   | 200      | 1.84 | 8.4      | 254   | 166      | 2.2  | 6.1      | 347   | 227      | 1.08 | 6.4      | 330   | 216      | 1.14 | 7.2      | 294   | 192      | 1.28 | 8.0      | 264   | 173      | 1.42 | 6.0      | 352   | 230      | 1.07 | 6.4      | 330   | 216      | 1.14 | 7.4      | 287   | 188      | 1.31 | 7.9      | 269   | 176      | 1.40 | 9.4      | 226   | 148      | 1.66 | 11       | 199   | 130      | 1.89 | 10       | 203   | 133      | 0.92 | 11       | 197   | 129      | 0.95 | 12       | 180   | 118      | 1.04 | 14       | 150   | 98       | 1.25 | 16       | 133   | 87       | 1.41 | 0.16     | 13607 | 8901     | 0.83 | 0.18     | 11775 | 7703     | 0.96 | 0.21     | 10346 | 6768     | 1.09 | 0.23     | 9131  | 5973     | 1.24 | 0.27     | 7760  | 5076     | 1.45 | 0.31     | 6827  | 4466     | 1.7  | 0.24     | 8897  | 5820     | 0.83 | 0.27     | 7984  | 5223     | 0.92 | 0.30     | 6982  | 4567     | 1.06 | 0.40     | 5262  | 3442     | 1.40 | 0.46     | 4643  | 3037     | 1.59 | 0.50     | 4213  | 2756     | 1.75 | 0.59     | 3621  | 2369     | 2.0  | 0.67     | 3161  | 2068     | 2.3  | 0.87     | 2441  | 1597     | 3.0  | 0.99     | 2142  | 1401     | 3.4  | 3.0      | 744   | 281.71   | 1.9  | 3.2      | 694   | 262.93   | 2.0  | 3.8      | 596   | 225.79   | 2.4  | 4.3      | 524   | 198.31   | 2.7  | 4.5      | 497   | 188.40   | 2.8  | 0.47     | 4508  | 2949     | 0.90 | 0.54     | 3959  | 2590     | 1.02 | 0.61     | 3466  | 2267     | 1.17 | 0.63     | 3362  | 2199     | 1.20 | 0.80     | 2658  | 1739     | 1.52 | 0.90     | 2357  | 1542     | 1.71 | 1.0      | 2032  | 1329     | 2.0  | 1.2      | 1807  | 1182     | 2.2  | 1.3      | 1578  | 1032     | 2.6  | F 127R77 |       |          |      |          | 4     | F 107R77 |      |          |       |          | 4    | F 97R57  |       |          |      |          | 4     | F 77     |      |          |       |          | 6    |          |       |          |      |          |       |          |      |          |       |          |      |          |       |          |      |          |       |          |      |          |       |          |      |          |       |          |      |          |       |          |      |          |       |          |      |          |       |          |      |          |       |          |      |          |       |          |      |          |       |          |      |          |       |          |      |          |       |          |      |          |       |          |      |          |       |          |      |          |       |          |      |          |       |          |      |          |       |          |      |          |       |          |       |          |       |          |       |          |      |          |       |          |      |          |       |          |      |          |       |          |      |          |       |          |       |          |       |          |       |          |      |          |       |          |      |          |       |          |      |          |       |          |      |          |       |          |      |          |      |          |      |          |      |          |      |          |      |          |      |          |      |          |      |          |      |          |      |          |      |          |      |          |      |          |      |          |      |          |      |          |      |          |      |          |      |          |      |          |      |          |      |          |      |          |      |          |      |          |      |          |      |          |      |          |      |          |      |          |      |          |      |          |      |          |      |          |      |          |      |         |      |          |      |         |      |          |      |          |      |          |      |          |      |          |      |          |      |          |      |          |      |         |      |          |      |         |     |          |      |          |     |          |      |          |     |          |   |          |   |         |   |          |   |         |   |      |   |         |   |      |   |  |   |      |   |  |  |  |   |
| 4.2           | 505        | 330      | 1.12                   | 4.7         | 456     | 298           | 1.24       | 5.3      | 401                    | 262         | 1.41    | 6.2      | 345   | 226      | 1.63 | 7.0      | 306   | 200      | 1.84 | 8.4      | 254   | 166      | 2.2  | 6.1      | 347   | 227      | 1.08 | 6.4      | 330   | 216      | 1.14 | 7.2      | 294   | 192      | 1.28 | 8.0      | 264   | 173      | 1.42 | 6.0      | 352   | 230      | 1.07 | 6.4      | 330   | 216      | 1.14 | 7.4      | 287   | 188      | 1.31 | 7.9      | 269   | 176      | 1.40 | 9.4      | 226   | 148      | 1.66 | 11       | 199   | 130      | 1.89 | 10       | 203   | 133      | 0.92 | 11       | 197   | 129      | 0.95 | 12       | 180   | 118      | 1.04 | 14       | 150   | 98       | 1.25 | 16       | 133   | 87       | 1.41 | 0.16     | 13607 | 8901     | 0.83 | 0.18     | 11775 | 7703     | 0.96 | 0.21     | 10346 | 6768     | 1.09 | 0.23     | 9131  | 5973     | 1.24 | 0.27     | 7760  | 5076     | 1.45 | 0.31     | 6827  | 4466     | 1.7  | 0.24     | 8897  | 5820     | 0.83 | 0.27     | 7984  | 5223     | 0.92 | 0.30     | 6982  | 4567     | 1.06 | 0.40     | 5262  | 3442     | 1.40 | 0.46     | 4643  | 3037     | 1.59 | 0.50     | 4213  | 2756     | 1.75 | 0.59     | 3621  | 2369     | 2.0  | 0.67     | 3161  | 2068     | 2.3  | 0.87     | 2441  | 1597     | 3.0  | 0.99     | 2142  | 1401     | 3.4  | 3.0      | 744   | 281.71   | 1.9  | 3.2      | 694   | 262.93   | 2.0  | 3.8      | 596   | 225.79   | 2.4  | 4.3      | 524   | 198.31   | 2.7  | 4.5      | 497   | 188.40   | 2.8  | 0.47     | 4508  | 2949     | 0.90 | 0.54     | 3959  | 2590     | 1.02 | 0.61     | 3466  | 2267     | 1.17 | 0.63     | 3362  | 2199     | 1.20 | 0.80     | 2658  | 1739     | 1.52 | 0.90     | 2357  | 1542     | 1.71 | 1.0      | 2032  | 1329     | 2.0  | 1.2      | 1807  | 1182     | 2.2  | 1.3      | 1578  | 1032     | 2.6  | F 127R77 |       |          |      |          | 4     | F 107R77 |      |          |       |          | 4    | F 97R57  |       |          |      |          | 4     | F 77     |      |          |       |          | 6    |          |       |          |      |          |       |          |      |          |       |          |      |          |       |          |      |          |       |          |      |          |       |          |      |          |       |          |      |          |       |          |      |          |       |          |      |          |       |          |      |          |       |          |      |          |       |          |      |          |       |          |      |          |       |          |      |          |       |          |      |          |       |          |      |          |       |          |      |          |       |          |      |          |       |          |      |          |       |          |      |          |       |          |      |          |       |          |       |          |       |          |       |          |      |          |       |          |      |          |       |          |      |          |       |          |      |          |       |          |       |          |       |          |       |          |      |          |       |          |      |          |       |          |      |          |       |          |      |          |       |          |      |          |      |          |      |          |      |          |      |          |      |          |      |          |      |          |      |          |      |          |      |          |      |          |      |          |      |          |      |          |      |          |      |          |      |          |      |          |      |          |      |          |      |          |      |          |      |          |      |          |      |          |      |          |      |          |      |          |      |          |      |          |      |          |      |          |      |          |      |          |      |          |      |         |      |          |      |         |      |          |      |          |      |          |      |          |      |          |      |          |      |          |      |          |      |         |      |          |      |         |     |          |      |          |     |          |      |          |     |          |   |          |   |         |   |          |   |         |   |      |   |         |   |      |   |  |   |      |   |  |  |  |   |
| 4.7           | 456        | 298      | 1.24                   | 5.3         | 401     | 262           | 1.41       | 6.2      | 345                    | 226         | 1.63    | 7.0      | 306   | 200      | 1.84 | 8.4      | 254   | 166      | 2.2  | 6.1      | 347   | 227      | 1.08 | 6.4      | 330   | 216      | 1.14 | 7.2      | 294   | 192      | 1.28 | 8.0      | 264   | 173      | 1.42 | 6.0      | 352   | 230      | 1.07 | 6.4      | 330   | 216      | 1.14 | 7.4      | 287   | 188      | 1.31 | 7.9      | 269   | 176      | 1.40 | 9.4      | 226   | 148      | 1.66 | 11       | 199   | 130      | 1.89 | 10       | 203   | 133      | 0.92 | 11       | 197   | 129      | 0.95 | 12       | 180   | 118      | 1.04 | 14       | 150   | 98       | 1.25 | 16       | 133   | 87       | 1.41 | 0.16     | 13607 | 8901     | 0.83 | 0.18     | 11775 | 7703     | 0.96 | 0.21     | 10346 | 6768     | 1.09 | 0.23     | 9131  | 5973     | 1.24 | 0.27     | 7760  | 5076     | 1.45 | 0.31     | 6827  | 4466     | 1.7  | 0.24     | 8897  | 5820     | 0.83 | 0.27     | 7984  | 5223     | 0.92 | 0.30     | 6982  | 4567     | 1.06 | 0.40     | 5262  | 3442     | 1.40 | 0.46     | 4643  | 3037     | 1.59 | 0.50     | 4213  | 2756     | 1.75 | 0.59     | 3621  | 2369     | 2.0  | 0.67     | 3161  | 2068     | 2.3  | 0.87     | 2441  | 1597     | 3.0  | 0.99     | 2142  | 1401     | 3.4  | 3.0      | 744   | 281.71   | 1.9  | 3.2      | 694   | 262.93   | 2.0  | 3.8      | 596   | 225.79   | 2.4  | 4.3      | 524   | 198.31   | 2.7  | 4.5      | 497   | 188.40   | 2.8  | 0.47     | 4508  | 2949     | 0.90 | 0.54     | 3959  | 2590     | 1.02 | 0.61     | 3466  | 2267     | 1.17 | 0.63     | 3362  | 2199     | 1.20 | 0.80     | 2658  | 1739     | 1.52 | 0.90     | 2357  | 1542     | 1.71 | 1.0      | 2032  | 1329     | 2.0  | 1.2      | 1807  | 1182     | 2.2  | 1.3      | 1578  | 1032     | 2.6  | F 127R77 |       |          |      |          | 4     | F 107R77 |      |          |       |          | 4    | F 97R57  |       |          |      |          | 4     | F 77     |      |          |       |          | 6    |          |       |          |      |          |       |          |      |          |       |          |      |          |       |          |      |          |       |          |      |          |       |          |      |          |       |          |      |          |       |          |      |          |       |          |      |          |       |          |      |          |       |          |      |          |       |          |      |          |       |          |      |          |       |          |      |          |       |          |      |          |       |          |      |          |       |          |      |          |       |          |      |          |       |          |      |          |       |          |      |          |       |          |      |          |       |          |      |          |       |          |       |          |       |          |       |          |      |          |       |          |      |          |       |          |      |          |       |          |      |          |       |          |       |          |       |          |       |          |      |          |       |          |      |          |       |          |      |          |       |          |      |          |       |          |      |          |      |          |      |          |      |          |      |          |      |          |      |          |      |          |      |          |      |          |      |          |      |          |      |          |      |          |      |          |      |          |      |          |      |          |      |          |      |          |      |          |      |          |      |          |      |          |      |          |      |          |      |          |      |          |      |          |      |          |      |          |      |          |      |          |      |          |      |          |      |          |      |         |      |          |      |         |      |          |      |          |      |          |      |          |      |          |      |          |      |          |      |          |      |         |      |          |      |         |     |          |      |          |     |          |      |          |     |          |   |          |   |         |   |          |   |         |   |      |   |         |   |      |   |  |   |      |   |  |  |  |   |
| 5.3           | 401        | 262      | 1.41                   | 6.2         | 345     | 226           | 1.63       | 7.0      | 306                    | 200         | 1.84    | 8.4      | 254   | 166      | 2.2  | 6.1      | 347   | 227      | 1.08 | 6.4      | 330   | 216      | 1.14 | 7.2      | 294   | 192      | 1.28 | 8.0      | 264   | 173      | 1.42 | 6.0      | 352   | 230      | 1.07 | 6.4      | 330   | 216      | 1.14 | 7.4      | 287   | 188      | 1.31 | 7.9      | 269   | 176      | 1.40 | 9.4      | 226   | 148      | 1.66 | 11       | 199   | 130      | 1.89 | 10       | 203   | 133      | 0.92 | 11       | 197   | 129      | 0.95 | 12       | 180   | 118      | 1.04 | 14       | 150   | 98       | 1.25 | 16       | 133   | 87       | 1.41 | 0.16     | 13607 | 8901     | 0.83 | 0.18     | 11775 | 7703     | 0.96 | 0.21     | 10346 | 6768     | 1.09 | 0.23     | 9131  | 5973     | 1.24 | 0.27     | 7760  | 5076     | 1.45 | 0.31     | 6827  | 4466     | 1.7  | 0.24     | 8897  | 5820     | 0.83 | 0.27     | 7984  | 5223     | 0.92 | 0.30     | 6982  | 4567     | 1.06 | 0.40     | 5262  | 3442     | 1.40 | 0.46     | 4643  | 3037     | 1.59 | 0.50     | 4213  | 2756     | 1.75 | 0.59     | 3621  | 2369     | 2.0  | 0.67     | 3161  | 2068     | 2.3  | 0.87     | 2441  | 1597     | 3.0  | 0.99     | 2142  | 1401     | 3.4  | 3.0      | 744   | 281.71   | 1.9  | 3.2      | 694   | 262.93   | 2.0  | 3.8      | 596   | 225.79   | 2.4  | 4.3      | 524   | 198.31   | 2.7  | 4.5      | 497   | 188.40   | 2.8  | 0.47     | 4508  | 2949     | 0.90 | 0.54     | 3959  | 2590     | 1.02 | 0.61     | 3466  | 2267     | 1.17 | 0.63     | 3362  | 2199     | 1.20 | 0.80     | 2658  | 1739     | 1.52 | 0.90     | 2357  | 1542     | 1.71 | 1.0      | 2032  | 1329     | 2.0  | 1.2      | 1807  | 1182     | 2.2  | 1.3      | 1578  | 1032     | 2.6  | F 127R77 |       |          |      |          | 4     | F 107R77 |      |          |       |          | 4    | F 97R57  |       |          |      |          | 4     | F 77     |      |          |       |          | 6    |          |       |          |      |          |       |          |      |          |       |          |      |          |       |          |      |          |       |          |      |          |       |          |      |          |       |          |      |          |       |          |      |          |       |          |      |          |       |          |      |          |       |          |      |          |       |          |      |          |       |          |      |          |       |          |      |          |       |          |      |          |       |          |      |          |       |          |      |          |       |          |      |          |       |          |      |          |       |          |      |          |       |          |      |          |       |          |      |          |       |          |      |          |       |          |       |          |       |          |       |          |      |          |       |          |      |          |       |          |      |          |       |          |      |          |       |          |       |          |       |          |       |          |      |          |       |          |      |          |       |          |      |          |       |          |      |          |       |          |      |          |      |          |      |          |      |          |      |          |      |          |      |          |      |          |      |          |      |          |      |          |      |          |      |          |      |          |      |          |      |          |      |          |      |          |      |          |      |          |      |          |      |          |      |          |      |          |      |          |      |          |      |          |      |          |      |          |      |          |      |          |      |          |      |          |      |          |      |          |      |          |      |         |      |          |      |         |      |          |      |          |      |          |      |          |      |          |      |          |      |          |      |          |      |         |      |          |      |         |     |          |      |          |     |          |      |          |     |          |   |          |   |         |   |          |   |         |   |      |   |         |   |      |   |  |   |      |   |  |  |  |   |
| 6.2           | 345        | 226      | 1.63                   | 7.0         | 306     | 200           | 1.84       | 8.4      | 254                    | 166         | 2.2     | 6.1      | 347   | 227      | 1.08 | 6.4      | 330   | 216      | 1.14 | 7.2      | 294   | 192      | 1.28 | 8.0      | 264   | 173      | 1.42 | 6.0      | 352   | 230      | 1.07 | 6.4      | 330   | 216      | 1.14 | 7.4      | 287   | 188      | 1.31 | 7.9      | 269   | 176      | 1.40 | 9.4      | 226   | 148      | 1.66 | 11       | 199   | 130      | 1.89 | 10       | 203   | 133      | 0.92 | 11       | 197   | 129      | 0.95 | 12       | 180   | 118      | 1.04 | 14       | 150   | 98       | 1.25 | 16       | 133   | 87       | 1.41 | 0.16     | 13607 | 8901     | 0.83 | 0.18     | 11775 | 7703     | 0.96 | 0.21     | 10346 | 6768     | 1.09 | 0.23     | 9131  | 5973     | 1.24 | 0.27     | 7760  | 5076     | 1.45 | 0.31     | 6827  | 4466     | 1.7  | 0.24     | 8897  | 5820     | 0.83 | 0.27     | 7984  | 5223     | 0.92 | 0.30     | 6982  | 4567     | 1.06 | 0.40     | 5262  | 3442     | 1.40 | 0.46     | 4643  | 3037     | 1.59 | 0.50     | 4213  | 2756     | 1.75 | 0.59     | 3621  | 2369     | 2.0  | 0.67     | 3161  | 2068     | 2.3  | 0.87     | 2441  | 1597     | 3.0  | 0.99     | 2142  | 1401     | 3.4  | 3.0      | 744   | 281.71   | 1.9  | 3.2      | 694   | 262.93   | 2.0  | 3.8      | 596   | 225.79   | 2.4  | 4.3      | 524   | 198.31   | 2.7  | 4.5      | 497   | 188.40   | 2.8  | 0.47     | 4508  | 2949     | 0.90 | 0.54     | 3959  | 2590     | 1.02 | 0.61     | 3466  | 2267     | 1.17 | 0.63     | 3362  | 2199     | 1.20 | 0.80     | 2658  | 1739     | 1.52 | 0.90     | 2357  | 1542     | 1.71 | 1.0      | 2032  | 1329     | 2.0  | 1.2      | 1807  | 1182     | 2.2  | 1.3      | 1578  | 1032     | 2.6  | F 127R77 |       |          |      |          | 4     | F 107R77 |      |          |       |          | 4    | F 97R57  |       |          |      |          | 4     | F 77     |      |          |       |          | 6    |          |       |          |      |          |       |          |      |          |       |          |      |          |       |          |      |          |       |          |      |          |       |          |      |          |       |          |      |          |       |          |      |          |       |          |      |          |       |          |      |          |       |          |      |          |       |          |      |          |       |          |      |          |       |          |      |          |       |          |      |          |       |          |      |          |       |          |      |          |       |          |      |          |       |          |      |          |       |          |      |          |       |          |      |          |       |          |      |          |       |          |      |          |       |          |      |          |       |          |       |          |       |          |       |          |      |          |       |          |      |          |       |          |      |          |       |          |      |          |       |          |       |          |       |          |       |          |      |          |       |          |      |          |       |          |      |          |       |          |      |          |       |          |      |          |      |          |      |          |      |          |      |          |      |          |      |          |      |          |      |          |      |          |      |          |      |          |      |          |      |          |      |          |      |          |      |          |      |          |      |          |      |          |      |          |      |          |      |          |      |          |      |          |      |          |      |          |      |          |      |          |      |          |      |          |      |          |      |          |      |          |      |          |      |          |      |         |      |          |      |         |      |          |      |          |      |          |      |          |      |          |      |          |      |          |      |          |      |         |      |          |      |         |     |          |      |          |     |          |      |          |     |          |   |          |   |         |   |          |   |         |   |      |   |         |   |      |   |  |   |      |   |  |  |  |   |
| 7.0           | 306        | 200      | 1.84                   | 8.4         | 254     | 166           | 2.2        | 6.1      | 347                    | 227         | 1.08    | 6.4      | 330   | 216      | 1.14 | 7.2      | 294   | 192      | 1.28 | 8.0      | 264   | 173      | 1.42 | 6.0      | 352   | 230      | 1.07 | 6.4      | 330   | 216      | 1.14 | 7.4      | 287   | 188      | 1.31 | 7.9      | 269   | 176      | 1.40 | 9.4      | 226   | 148      | 1.66 | 11       | 199   | 130      | 1.89 | 10       | 203   | 133      | 0.92 | 11       | 197   | 129      | 0.95 | 12       | 180   | 118      | 1.04 | 14       | 150   | 98       | 1.25 | 16       | 133   | 87       | 1.41 | 0.16     | 13607 | 8901     | 0.83 | 0.18     | 11775 | 7703     | 0.96 | 0.21     | 10346 | 6768     | 1.09 | 0.23     | 9131  | 5973     | 1.24 | 0.27     | 7760  | 5076     | 1.45 | 0.31     | 6827  | 4466     | 1.7  | 0.24     | 8897  | 5820     | 0.83 | 0.27     | 7984  | 5223     | 0.92 | 0.30     | 6982  | 4567     | 1.06 | 0.40     | 5262  | 3442     | 1.40 | 0.46     | 4643  | 3037     | 1.59 | 0.50     | 4213  | 2756     | 1.75 | 0.59     | 3621  | 2369     | 2.0  | 0.67     | 3161  | 2068     | 2.3  | 0.87     | 2441  | 1597     | 3.0  | 0.99     | 2142  | 1401     | 3.4  | 3.0      | 744   | 281.71   | 1.9  | 3.2      | 694   | 262.93   | 2.0  | 3.8      | 596   | 225.79   | 2.4  | 4.3      | 524   | 198.31   | 2.7  | 4.5      | 497   | 188.40   | 2.8  | 0.47     | 4508  | 2949     | 0.90 | 0.54     | 3959  | 2590     | 1.02 | 0.61     | 3466  | 2267     | 1.17 | 0.63     | 3362  | 2199     | 1.20 | 0.80     | 2658  | 1739     | 1.52 | 0.90     | 2357  | 1542     | 1.71 | 1.0      | 2032  | 1329     | 2.0  | 1.2      | 1807  | 1182     | 2.2  | 1.3      | 1578  | 1032     | 2.6  | F 127R77 |       |          |      |          | 4     | F 107R77 |      |          |       |          | 4    | F 97R57  |       |          |      |          | 4     | F 77     |      |          |       |          | 6    |          |       |          |      |          |       |          |      |          |       |          |      |          |       |          |      |          |       |          |      |          |       |          |      |          |       |          |      |          |       |          |      |          |       |          |      |          |       |          |      |          |       |          |      |          |       |          |      |          |       |          |      |          |       |          |      |          |       |          |      |          |       |          |      |          |       |          |      |          |       |          |      |          |       |          |      |          |       |          |      |          |       |          |      |          |       |          |      |          |       |          |      |          |       |          |      |          |       |          |      |          |       |          |       |          |       |          |       |          |      |          |       |          |      |          |       |          |      |          |       |          |      |          |       |          |       |          |       |          |       |          |      |          |       |          |      |          |       |          |      |          |       |          |      |          |       |          |      |          |      |          |      |          |      |          |      |          |      |          |      |          |      |          |      |          |      |          |      |          |      |          |      |          |      |          |      |          |      |          |      |          |      |          |      |          |      |          |      |          |      |          |      |          |      |          |      |          |      |          |      |          |      |          |      |          |      |          |      |          |      |          |      |          |      |          |      |          |      |          |      |         |      |          |      |         |      |          |      |          |      |          |      |          |      |          |      |          |      |          |      |          |      |         |      |          |      |         |     |          |      |          |     |          |      |          |     |          |   |          |   |         |   |          |   |         |   |      |   |         |   |      |   |  |   |      |   |  |  |  |   |
| 8.4           | 254        | 166      | 2.2                    | 6.1         | 347     | 227           | 1.08       | 6.4      | 330                    | 216         | 1.14    | 7.2      | 294   | 192      | 1.28 | 8.0      | 264   | 173      | 1.42 | 6.0      | 352   | 230      | 1.07 | 6.4      | 330   | 216      | 1.14 | 7.4      | 287   | 188      | 1.31 | 7.9      | 269   | 176      | 1.40 | 9.4      | 226   | 148      | 1.66 | 11       | 199   | 130      | 1.89 | 10       | 203   | 133      | 0.92 | 11       | 197   | 129      | 0.95 | 12       | 180   | 118      | 1.04 | 14       | 150   | 98       | 1.25 | 16       | 133   | 87       | 1.41 | 0.16     | 13607 | 8901     | 0.83 | 0.18     | 11775 | 7703     | 0.96 | 0.21     | 10346 | 6768     | 1.09 | 0.23     | 9131  | 5973     | 1.24 | 0.27     | 7760  | 5076     | 1.45 | 0.31     | 6827  | 4466     | 1.7  | 0.24     | 8897  | 5820     | 0.83 | 0.27     | 7984  | 5223     | 0.92 | 0.30     | 6982  | 4567     | 1.06 | 0.40     | 5262  | 3442     | 1.40 | 0.46     | 4643  | 3037     | 1.59 | 0.50     | 4213  | 2756     | 1.75 | 0.59     | 3621  | 2369     | 2.0  | 0.67     | 3161  | 2068     | 2.3  | 0.87     | 2441  | 1597     | 3.0  | 0.99     | 2142  | 1401     | 3.4  | 3.0      | 744   | 281.71   | 1.9  | 3.2      | 694   | 262.93   | 2.0  | 3.8      | 596   | 225.79   | 2.4  | 4.3      | 524   | 198.31   | 2.7  | 4.5      | 497   | 188.40   | 2.8  | 0.47     | 4508  | 2949     | 0.90 | 0.54     | 3959  | 2590     | 1.02 | 0.61     | 3466  | 2267     | 1.17 | 0.63     | 3362  | 2199     | 1.20 | 0.80     | 2658  | 1739     | 1.52 | 0.90     | 2357  | 1542     | 1.71 | 1.0      | 2032  | 1329     | 2.0  | 1.2      | 1807  | 1182     | 2.2  | 1.3      | 1578  | 1032     | 2.6  | F 127R77 |       |          |      |          | 4     | F 107R77 |      |          |       |          | 4    | F 97R57  |       |          |      |          | 4     | F 77     |      |          |       |          | 6    |          |       |          |      |          |       |          |      |          |       |          |      |          |       |          |      |          |       |          |      |          |       |          |      |          |       |          |      |          |       |          |      |          |       |          |      |          |       |          |      |          |       |          |      |          |       |          |      |          |       |          |      |          |       |          |      |          |       |          |      |          |       |          |      |          |       |          |      |          |       |          |      |          |       |          |      |          |       |          |      |          |       |          |      |          |       |          |      |          |       |          |      |          |       |          |      |          |       |          |      |          |       |          |      |          |       |          |       |          |       |          |       |          |      |          |       |          |      |          |       |          |      |          |       |          |      |          |       |          |       |          |       |          |       |          |      |          |       |          |      |          |       |          |      |          |       |          |      |          |       |          |      |          |      |          |      |          |      |          |      |          |      |          |      |          |      |          |      |          |      |          |      |          |      |          |      |          |      |          |      |          |      |          |      |          |      |          |      |          |      |          |      |          |      |          |      |          |      |          |      |          |      |          |      |          |      |          |      |          |      |          |      |          |      |          |      |          |      |          |      |          |      |          |      |         |      |          |      |         |      |          |      |          |      |          |      |          |      |          |      |          |      |          |      |          |      |         |      |          |      |         |     |          |      |          |     |          |      |          |     |          |   |          |   |         |   |          |   |         |   |      |   |         |   |      |   |  |   |      |   |  |  |  |   |
| 6.1           | 347        | 227      | 1.08                   | 6.4         | 330     | 216           | 1.14       | 7.2      | 294                    | 192         | 1.28    | 8.0      | 264   | 173      | 1.42 | 6.0      | 352   | 230      | 1.07 | 6.4      | 330   | 216      | 1.14 | 7.4      | 287   | 188      | 1.31 | 7.9      | 269   | 176      | 1.40 | 9.4      | 226   | 148      | 1.66 | 11       | 199   | 130      | 1.89 | 10       | 203   | 133      | 0.92 | 11       | 197   | 129      | 0.95 | 12       | 180   | 118      | 1.04 | 14       | 150   | 98       | 1.25 | 16       | 133   | 87       | 1.41 | 0.16     | 13607 | 8901     | 0.83 | 0.18     | 11775 | 7703     | 0.96 | 0.21     | 10346 | 6768     | 1.09 | 0.23     | 9131  | 5973     | 1.24 | 0.27     | 7760  | 5076     | 1.45 | 0.31     | 6827  | 4466     | 1.7  | 0.24     | 8897  | 5820     | 0.83 | 0.27     | 7984  | 5223     | 0.92 | 0.30     | 6982  | 4567     | 1.06 | 0.40     | 5262  | 3442     | 1.40 | 0.46     | 4643  | 3037     | 1.59 | 0.50     | 4213  | 2756     | 1.75 | 0.59     | 3621  | 2369     | 2.0  | 0.67     | 3161  | 2068     | 2.3  | 0.87     | 2441  | 1597     | 3.0  | 0.99     | 2142  | 1401     | 3.4  | 3.0      | 744   | 281.71   | 1.9  | 3.2      | 694   | 262.93   | 2.0  | 3.8      | 596   | 225.79   | 2.4  | 4.3      | 524   | 198.31   | 2.7  | 4.5      | 497   | 188.40   | 2.8  | 0.47     | 4508  | 2949     | 0.90 | 0.54     | 3959  | 2590     | 1.02 | 0.61     | 3466  | 2267     | 1.17 | 0.63     | 3362  | 2199     | 1.20 | 0.80     | 2658  | 1739     | 1.52 | 0.90     | 2357  | 1542     | 1.71 | 1.0      | 2032  | 1329     | 2.0  | 1.2      | 1807  | 1182     | 2.2  | 1.3      | 1578  | 1032     | 2.6  | F 127R77 |       |          |      |          | 4     | F 107R77 |      |          |       |          | 4    | F 97R57  |       |          |      |          | 4     | F 77     |      |          |       |          | 6    |          |       |          |      |          |       |          |      |          |       |          |      |          |       |          |      |          |       |          |      |          |       |          |      |          |       |          |      |          |       |          |      |          |       |          |      |          |       |          |      |          |       |          |      |          |       |          |      |          |       |          |      |          |       |          |      |          |       |          |      |          |       |          |      |          |       |          |      |          |       |          |      |          |       |          |      |          |       |          |      |          |       |          |      |          |       |          |      |          |       |          |      |          |       |          |      |          |       |          |      |          |       |          |      |          |       |          |      |          |       |          |       |          |       |          |       |          |      |          |       |          |      |          |       |          |      |          |       |          |      |          |       |          |       |          |       |          |       |          |      |          |       |          |      |          |       |          |      |          |       |          |      |          |       |          |      |          |      |          |      |          |      |          |      |          |      |          |      |          |      |          |      |          |      |          |      |          |      |          |      |          |      |          |      |          |      |          |      |          |      |          |      |          |      |          |      |          |      |          |      |          |      |          |      |          |      |          |      |          |      |          |      |          |      |          |      |          |      |          |      |          |      |          |      |          |      |          |      |         |      |          |      |         |      |          |      |          |      |          |      |          |      |          |      |          |      |          |      |          |      |         |      |          |      |         |     |          |      |          |     |          |      |          |     |          |   |          |   |         |   |          |   |         |   |      |   |         |   |      |   |  |   |      |   |  |  |  |   |
| 6.4           | 330        | 216      | 1.14                   | 7.2         | 294     | 192           | 1.28       | 8.0      | 264                    | 173         | 1.42    | 6.0      | 352   | 230      | 1.07 | 6.4      | 330   | 216      | 1.14 | 7.4      | 287   | 188      | 1.31 | 7.9      | 269   | 176      | 1.40 | 9.4      | 226   | 148      | 1.66 | 11       | 199   | 130      | 1.89 | 10       | 203   | 133      | 0.92 | 11       | 197   | 129      | 0.95 | 12       | 180   | 118      | 1.04 | 14       | 150   | 98       | 1.25 | 16       | 133   | 87       | 1.41 | 0.16     | 13607 | 8901     | 0.83 | 0.18     | 11775 | 7703     | 0.96 | 0.21     | 10346 | 6768     | 1.09 | 0.23     | 9131  | 5973     | 1.24 | 0.27     | 7760  | 5076     | 1.45 | 0.31     | 6827  | 4466     | 1.7  | 0.24     | 8897  | 5820     | 0.83 | 0.27     | 7984  | 5223     | 0.92 | 0.30     | 6982  | 4567     | 1.06 | 0.40     | 5262  | 3442     | 1.40 | 0.46     | 4643  | 3037     | 1.59 | 0.50     | 4213  | 2756     | 1.75 | 0.59     | 3621  | 2369     | 2.0  | 0.67     | 3161  | 2068     | 2.3  | 0.87     | 2441  | 1597     | 3.0  | 0.99     | 2142  | 1401     | 3.4  | 3.0      | 744   | 281.71   | 1.9  | 3.2      | 694   | 262.93   | 2.0  | 3.8      | 596   | 225.79   | 2.4  | 4.3      | 524   | 198.31   | 2.7  | 4.5      | 497   | 188.40   | 2.8  | 0.47     | 4508  | 2949     | 0.90 | 0.54     | 3959  | 2590     | 1.02 | 0.61     | 3466  | 2267     | 1.17 | 0.63     | 3362  | 2199     | 1.20 | 0.80     | 2658  | 1739     | 1.52 | 0.90     | 2357  | 1542     | 1.71 | 1.0      | 2032  | 1329     | 2.0  | 1.2      | 1807  | 1182     | 2.2  | 1.3      | 1578  | 1032     | 2.6  | F 127R77 |       |          |      |          | 4     | F 107R77 |      |          |       |          | 4    | F 97R57  |       |          |      |          | 4     | F 77     |      |          |       |          | 6    |          |       |          |      |          |       |          |      |          |       |          |      |          |       |          |      |          |       |          |      |          |       |          |      |          |       |          |      |          |       |          |      |          |       |          |      |          |       |          |      |          |       |          |      |          |       |          |      |          |       |          |      |          |       |          |      |          |       |          |      |          |       |          |      |          |       |          |      |          |       |          |      |          |       |          |      |          |       |          |      |          |       |          |      |          |       |          |      |          |       |          |      |          |       |          |      |          |       |          |      |          |       |          |      |          |       |          |      |          |       |          |      |          |       |          |       |          |       |          |       |          |      |          |       |          |      |          |       |          |      |          |       |          |      |          |       |          |       |          |       |          |       |          |      |          |       |          |      |          |       |          |      |          |       |          |      |          |       |          |      |          |      |          |      |          |      |          |      |          |      |          |      |          |      |          |      |          |      |          |      |          |      |          |      |          |      |          |      |          |      |          |      |          |      |          |      |          |      |          |      |          |      |          |      |          |      |          |      |          |      |          |      |          |      |          |      |          |      |          |      |          |      |          |      |          |      |          |      |          |      |          |      |         |      |          |      |         |      |          |      |          |      |          |      |          |      |          |      |          |      |          |      |          |      |         |      |          |      |         |     |          |      |          |     |          |      |          |     |          |   |          |   |         |   |          |   |         |   |      |   |         |   |      |   |  |   |      |   |  |  |  |   |
| 7.2           | 294        | 192      | 1.28                   | 8.0         | 264     | 173           | 1.42       | 6.0      | 352                    | 230         | 1.07    | 6.4      | 330   | 216      | 1.14 | 7.4      | 287   | 188      | 1.31 | 7.9      | 269   | 176      | 1.40 | 9.4      | 226   | 148      | 1.66 | 11       | 199   | 130      | 1.89 | 10       | 203   | 133      | 0.92 | 11       | 197   | 129      | 0.95 | 12       | 180   | 118      | 1.04 | 14       | 150   | 98       | 1.25 | 16       | 133   | 87       | 1.41 | 0.16     | 13607 | 8901     | 0.83 | 0.18     | 11775 | 7703     | 0.96 | 0.21     | 10346 | 6768     | 1.09 | 0.23     | 9131  | 5973     | 1.24 | 0.27     | 7760  | 5076     | 1.45 | 0.31     | 6827  | 4466     | 1.7  | 0.24     | 8897  | 5820     | 0.83 | 0.27     | 7984  | 5223     | 0.92 | 0.30     | 6982  | 4567     | 1.06 | 0.40     | 5262  | 3442     | 1.40 | 0.46     | 4643  | 3037     | 1.59 | 0.50     | 4213  | 2756     | 1.75 | 0.59     | 3621  | 2369     | 2.0  | 0.67     | 3161  | 2068     | 2.3  | 0.87     | 2441  | 1597     | 3.0  | 0.99     | 2142  | 1401     | 3.4  | 3.0      | 744   | 281.71   | 1.9  | 3.2      | 694   | 262.93   | 2.0  | 3.8      | 596   | 225.79   | 2.4  | 4.3      | 524   | 198.31   | 2.7  | 4.5      | 497   | 188.40   | 2.8  | 0.47     | 4508  | 2949     | 0.90 | 0.54     | 3959  | 2590     | 1.02 | 0.61     | 3466  | 2267     | 1.17 | 0.63     | 3362  | 2199     | 1.20 | 0.80     | 2658  | 1739     | 1.52 | 0.90     | 2357  | 1542     | 1.71 | 1.0      | 2032  | 1329     | 2.0  | 1.2      | 1807  | 1182     | 2.2  | 1.3      | 1578  | 1032     | 2.6  | F 127R77 |       |          |      |          | 4     | F 107R77 |      |          |       |          | 4    | F 97R57  |       |          |      |          | 4     | F 77     |      |          |       |          | 6    |          |       |          |      |          |       |          |      |          |       |          |      |          |       |          |      |          |       |          |      |          |       |          |      |          |       |          |      |          |       |          |      |          |       |          |      |          |       |          |      |          |       |          |      |          |       |          |      |          |       |          |      |          |       |          |      |          |       |          |      |          |       |          |      |          |       |          |      |          |       |          |      |          |       |          |      |          |       |          |      |          |       |          |      |          |       |          |      |          |       |          |      |          |       |          |      |          |       |          |      |          |       |          |      |          |       |          |      |          |       |          |      |          |       |          |      |          |       |          |       |          |       |          |       |          |      |          |       |          |      |          |       |          |      |          |       |          |      |          |       |          |       |          |       |          |       |          |      |          |       |          |      |          |       |          |      |          |       |          |      |          |       |          |      |          |      |          |      |          |      |          |      |          |      |          |      |          |      |          |      |          |      |          |      |          |      |          |      |          |      |          |      |          |      |          |      |          |      |          |      |          |      |          |      |          |      |          |      |          |      |          |      |          |      |          |      |          |      |          |      |          |      |          |      |          |      |          |      |          |      |          |      |          |      |          |      |         |      |          |      |         |      |          |      |          |      |          |      |          |      |          |      |          |      |          |      |          |      |         |      |          |      |         |     |          |      |          |     |          |      |          |     |          |   |          |   |         |   |          |   |         |   |      |   |         |   |      |   |  |   |      |   |  |  |  |   |
| 8.0           | 264        | 173      | 1.42                   | 6.0         | 352     | 230           | 1.07       | 6.4      | 330                    | 216         | 1.14    | 7.4      | 287   | 188      | 1.31 | 7.9      | 269   | 176      | 1.40 | 9.4      | 226   | 148      | 1.66 | 11       | 199   | 130      | 1.89 | 10       | 203   | 133      | 0.92 | 11       | 197   | 129      | 0.95 | 12       | 180   | 118      | 1.04 | 14       | 150   | 98       | 1.25 | 16       | 133   | 87       | 1.41 | 0.16     | 13607 | 8901     | 0.83 | 0.18     | 11775 | 7703     | 0.96 | 0.21     | 10346 | 6768     | 1.09 | 0.23     | 9131  | 5973     | 1.24 | 0.27     | 7760  | 5076     | 1.45 | 0.31     | 6827  | 4466     | 1.7  | 0.24     | 8897  | 5820     | 0.83 | 0.27     | 7984  | 5223     | 0.92 | 0.30     | 6982  | 4567     | 1.06 | 0.40     | 5262  | 3442     | 1.40 | 0.46     | 4643  | 3037     | 1.59 | 0.50     | 4213  | 2756     | 1.75 | 0.59     | 3621  | 2369     | 2.0  | 0.67     | 3161  | 2068     | 2.3  | 0.87     | 2441  | 1597     | 3.0  | 0.99     | 2142  | 1401     | 3.4  | 3.0      | 744   | 281.71   | 1.9  | 3.2      | 694   | 262.93   | 2.0  | 3.8      | 596   | 225.79   | 2.4  | 4.3      | 524   | 198.31   | 2.7  | 4.5      | 497   | 188.40   | 2.8  | 0.47     | 4508  | 2949     | 0.90 | 0.54     | 3959  | 2590     | 1.02 | 0.61     | 3466  | 2267     | 1.17 | 0.63     | 3362  | 2199     | 1.20 | 0.80     | 2658  | 1739     | 1.52 | 0.90     | 2357  | 1542     | 1.71 | 1.0      | 2032  | 1329     | 2.0  | 1.2      | 1807  | 1182     | 2.2  | 1.3      | 1578  | 1032     | 2.6  | F 127R77 |       |          |      |          | 4     | F 107R77 |      |          |       |          | 4    | F 97R57  |       |          |      |          | 4     | F 77     |      |          |       |          | 6    |          |       |          |      |          |       |          |      |          |       |          |      |          |       |          |      |          |       |          |      |          |       |          |      |          |       |          |      |          |       |          |      |          |       |          |      |          |       |          |      |          |       |          |      |          |       |          |      |          |       |          |      |          |       |          |      |          |       |          |      |          |       |          |      |          |       |          |      |          |       |          |      |          |       |          |      |          |       |          |      |          |       |          |      |          |       |          |      |          |       |          |      |          |       |          |      |          |       |          |      |          |       |          |      |          |       |          |      |          |       |          |      |          |       |          |      |          |       |          |      |          |       |          |       |          |       |          |       |          |      |          |       |          |      |          |       |          |      |          |       |          |      |          |       |          |       |          |       |          |       |          |      |          |       |          |      |          |       |          |      |          |       |          |      |          |       |          |      |          |      |          |      |          |      |          |      |          |      |          |      |          |      |          |      |          |      |          |      |          |      |          |      |          |      |          |      |          |      |          |      |          |      |          |      |          |      |          |      |          |      |          |      |          |      |          |      |          |      |          |      |          |      |          |      |          |      |          |      |          |      |          |      |          |      |          |      |          |      |          |      |         |      |          |      |         |      |          |      |          |      |          |      |          |      |          |      |          |      |          |      |          |      |         |      |          |      |         |     |          |      |          |     |          |      |          |     |          |   |          |   |         |   |          |   |         |   |      |   |         |   |      |   |  |   |      |   |  |  |  |   |
| 6.0           | 352        | 230      | 1.07                   | 6.4         | 330     | 216           | 1.14       | 7.4      | 287                    | 188         | 1.31    | 7.9      | 269   | 176      | 1.40 | 9.4      | 226   | 148      | 1.66 | 11       | 199   | 130      | 1.89 | 10       | 203   | 133      | 0.92 | 11       | 197   | 129      | 0.95 | 12       | 180   | 118      | 1.04 | 14       | 150   | 98       | 1.25 | 16       | 133   | 87       | 1.41 | 0.16     | 13607 | 8901     | 0.83 | 0.18     | 11775 | 7703     | 0.96 | 0.21     | 10346 | 6768     | 1.09 | 0.23     | 9131  | 5973     | 1.24 | 0.27     | 7760  | 5076     | 1.45 | 0.31     | 6827  | 4466     | 1.7  | 0.24     | 8897  | 5820     | 0.83 | 0.27     | 7984  | 5223     | 0.92 | 0.30     | 6982  | 4567     | 1.06 | 0.40     | 5262  | 3442     | 1.40 | 0.46     | 4643  | 3037     | 1.59 | 0.50     | 4213  | 2756     | 1.75 | 0.59     | 3621  | 2369     | 2.0  | 0.67     | 3161  | 2068     | 2.3  | 0.87     | 2441  | 1597     | 3.0  | 0.99     | 2142  | 1401     | 3.4  | 3.0      | 744   | 281.71   | 1.9  | 3.2      | 694   | 262.93   | 2.0  | 3.8      | 596   | 225.79   | 2.4  | 4.3      | 524   | 198.31   | 2.7  | 4.5      | 497   | 188.40   | 2.8  | 0.47     | 4508  | 2949     | 0.90 | 0.54     | 3959  | 2590     | 1.02 | 0.61     | 3466  | 2267     | 1.17 | 0.63     | 3362  | 2199     | 1.20 | 0.80     | 2658  | 1739     | 1.52 | 0.90     | 2357  | 1542     | 1.71 | 1.0      | 2032  | 1329     | 2.0  | 1.2      | 1807  | 1182     | 2.2  | 1.3      | 1578  | 1032     | 2.6  | F 127R77 |       |          |      |          | 4     | F 107R77 |      |          |       |          | 4    | F 97R57  |       |          |      |          | 4     | F 77     |      |          |       |          | 6    |          |       |          |      |          |       |          |      |          |       |          |      |          |       |          |      |          |       |          |      |          |       |          |      |          |       |          |      |          |       |          |      |          |       |          |      |          |       |          |      |          |       |          |      |          |       |          |      |          |       |          |      |          |       |          |      |          |       |          |      |          |       |          |      |          |       |          |      |          |       |          |      |          |       |          |      |          |       |          |      |          |       |          |      |          |       |          |      |          |       |          |      |          |       |          |      |          |       |          |      |          |       |          |      |          |       |          |      |          |       |          |      |          |       |          |      |          |       |          |      |          |       |          |      |          |       |          |       |          |       |          |       |          |      |          |       |          |      |          |       |          |      |          |       |          |      |          |       |          |       |          |       |          |       |          |      |          |       |          |      |          |       |          |      |          |       |          |      |          |       |          |      |          |      |          |      |          |      |          |      |          |      |          |      |          |      |          |      |          |      |          |      |          |      |          |      |          |      |          |      |          |      |          |      |          |      |          |      |          |      |          |      |          |      |          |      |          |      |          |      |          |      |          |      |          |      |          |      |          |      |          |      |          |      |          |      |          |      |          |      |          |      |          |      |         |      |          |      |         |      |          |      |          |      |          |      |          |      |          |      |          |      |          |      |          |      |         |      |          |      |         |     |          |      |          |     |          |      |          |     |          |   |          |   |         |   |          |   |         |   |      |   |         |   |      |   |  |   |      |   |  |  |  |   |
| 6.4           | 330        | 216      | 1.14                   | 7.4         | 287     | 188           | 1.31       | 7.9      | 269                    | 176         | 1.40    | 9.4      | 226   | 148      | 1.66 | 11       | 199   | 130      | 1.89 | 10       | 203   | 133      | 0.92 | 11       | 197   | 129      | 0.95 | 12       | 180   | 118      | 1.04 | 14       | 150   | 98       | 1.25 | 16       | 133   | 87       | 1.41 | 0.16     | 13607 | 8901     | 0.83 | 0.18     | 11775 | 7703     | 0.96 | 0.21     | 10346 | 6768     | 1.09 | 0.23     | 9131  | 5973     | 1.24 | 0.27     | 7760  | 5076     | 1.45 | 0.31     | 6827  | 4466     | 1.7  | 0.24     | 8897  | 5820     | 0.83 | 0.27     | 7984  | 5223     | 0.92 | 0.30     | 6982  | 4567     | 1.06 | 0.40     | 5262  | 3442     | 1.40 | 0.46     | 4643  | 3037     | 1.59 | 0.50     | 4213  | 2756     | 1.75 | 0.59     | 3621  | 2369     | 2.0  | 0.67     | 3161  | 2068     | 2.3  | 0.87     | 2441  | 1597     | 3.0  | 0.99     | 2142  | 1401     | 3.4  | 3.0      | 744   | 281.71   | 1.9  | 3.2      | 694   | 262.93   | 2.0  | 3.8      | 596   | 225.79   | 2.4  | 4.3      | 524   | 198.31   | 2.7  | 4.5      | 497   | 188.40   | 2.8  | 0.47     | 4508  | 2949     | 0.90 | 0.54     | 3959  | 2590     | 1.02 | 0.61     | 3466  | 2267     | 1.17 | 0.63     | 3362  | 2199     | 1.20 | 0.80     | 2658  | 1739     | 1.52 | 0.90     | 2357  | 1542     | 1.71 | 1.0      | 2032  | 1329     | 2.0  | 1.2      | 1807  | 1182     | 2.2  | 1.3      | 1578  | 1032     | 2.6  | F 127R77 |       |          |      |          | 4     | F 107R77 |      |          |       |          | 4    | F 97R57  |       |          |      |          | 4     | F 77     |      |          |       |          | 6    |          |       |          |      |          |       |          |      |          |       |          |      |          |       |          |      |          |       |          |      |          |       |          |      |          |       |          |      |          |       |          |      |          |       |          |      |          |       |          |      |          |       |          |      |          |       |          |      |          |       |          |      |          |       |          |      |          |       |          |      |          |       |          |      |          |       |          |      |          |       |          |      |          |       |          |      |          |       |          |      |          |       |          |      |          |       |          |      |          |       |          |      |          |       |          |      |          |       |          |      |          |       |          |      |          |       |          |      |          |       |          |      |          |       |          |      |          |       |          |      |          |       |          |      |          |       |          |      |          |       |          |       |          |       |          |       |          |      |          |       |          |      |          |       |          |      |          |       |          |      |          |       |          |       |          |       |          |       |          |      |          |       |          |      |          |       |          |      |          |       |          |      |          |       |          |      |          |      |          |      |          |      |          |      |          |      |          |      |          |      |          |      |          |      |          |      |          |      |          |      |          |      |          |      |          |      |          |      |          |      |          |      |          |      |          |      |          |      |          |      |          |      |          |      |          |      |          |      |          |      |          |      |          |      |          |      |          |      |          |      |          |      |          |      |          |      |          |      |         |      |          |      |         |      |          |      |          |      |          |      |          |      |          |      |          |      |          |      |          |      |         |      |          |      |         |     |          |      |          |     |          |      |          |     |          |   |          |   |         |   |          |   |         |   |      |   |         |   |      |   |  |   |      |   |  |  |  |   |
| 7.4           | 287        | 188      | 1.31                   | 7.9         | 269     | 176           | 1.40       | 9.4      | 226                    | 148         | 1.66    | 11       | 199   | 130      | 1.89 | 10       | 203   | 133      | 0.92 | 11       | 197   | 129      | 0.95 | 12       | 180   | 118      | 1.04 | 14       | 150   | 98       | 1.25 | 16       | 133   | 87       | 1.41 | 0.16     | 13607 | 8901     | 0.83 | 0.18     | 11775 | 7703     | 0.96 | 0.21     | 10346 | 6768     | 1.09 | 0.23     | 9131  | 5973     | 1.24 | 0.27     | 7760  | 5076     | 1.45 | 0.31     | 6827  | 4466     | 1.7  | 0.24     | 8897  | 5820     | 0.83 | 0.27     | 7984  | 5223     | 0.92 | 0.30     | 6982  | 4567     | 1.06 | 0.40     | 5262  | 3442     | 1.40 | 0.46     | 4643  | 3037     | 1.59 | 0.50     | 4213  | 2756     | 1.75 | 0.59     | 3621  | 2369     | 2.0  | 0.67     | 3161  | 2068     | 2.3  | 0.87     | 2441  | 1597     | 3.0  | 0.99     | 2142  | 1401     | 3.4  | 3.0      | 744   | 281.71   | 1.9  | 3.2      | 694   | 262.93   | 2.0  | 3.8      | 596   | 225.79   | 2.4  | 4.3      | 524   | 198.31   | 2.7  | 4.5      | 497   | 188.40   | 2.8  | 0.47     | 4508  | 2949     | 0.90 | 0.54     | 3959  | 2590     | 1.02 | 0.61     | 3466  | 2267     | 1.17 | 0.63     | 3362  | 2199     | 1.20 | 0.80     | 2658  | 1739     | 1.52 | 0.90     | 2357  | 1542     | 1.71 | 1.0      | 2032  | 1329     | 2.0  | 1.2      | 1807  | 1182     | 2.2  | 1.3      | 1578  | 1032     | 2.6  | F 127R77 |       |          |      |          | 4     | F 107R77 |      |          |       |          | 4    | F 97R57  |       |          |      |          | 4     | F 77     |      |          |       |          | 6    |          |       |          |      |          |       |          |      |          |       |          |      |          |       |          |      |          |       |          |      |          |       |          |      |          |       |          |      |          |       |          |      |          |       |          |      |          |       |          |      |          |       |          |      |          |       |          |      |          |       |          |      |          |       |          |      |          |       |          |      |          |       |          |      |          |       |          |      |          |       |          |      |          |       |          |      |          |       |          |      |          |       |          |      |          |       |          |      |          |       |          |      |          |       |          |      |          |       |          |      |          |       |          |      |          |       |          |      |          |       |          |      |          |       |          |      |          |       |          |      |          |       |          |      |          |       |          |      |          |       |          |      |          |       |          |       |          |       |          |       |          |      |          |       |          |      |          |       |          |      |          |       |          |      |          |       |          |       |          |       |          |       |          |      |          |       |          |      |          |       |          |      |          |       |          |      |          |       |          |      |          |      |          |      |          |      |          |      |          |      |          |      |          |      |          |      |          |      |          |      |          |      |          |      |          |      |          |      |          |      |          |      |          |      |          |      |          |      |          |      |          |      |          |      |          |      |          |      |          |      |          |      |          |      |          |      |          |      |          |      |          |      |          |      |          |      |          |      |          |      |          |      |         |      |          |      |         |      |          |      |          |      |          |      |          |      |          |      |          |      |          |      |          |      |         |      |          |      |         |     |          |      |          |     |          |      |          |     |          |   |          |   |         |   |          |   |         |   |      |   |         |   |      |   |  |   |      |   |  |  |  |   |
| 7.9           | 269        | 176      | 1.40                   | 9.4         | 226     | 148           | 1.66       | 11       | 199                    | 130         | 1.89    | 10       | 203   | 133      | 0.92 | 11       | 197   | 129      | 0.95 | 12       | 180   | 118      | 1.04 | 14       | 150   | 98       | 1.25 | 16       | 133   | 87       | 1.41 | 0.16     | 13607 | 8901     | 0.83 | 0.18     | 11775 | 7703     | 0.96 | 0.21     | 10346 | 6768     | 1.09 | 0.23     | 9131  | 5973     | 1.24 | 0.27     | 7760  | 5076     | 1.45 | 0.31     | 6827  | 4466     | 1.7  | 0.24     | 8897  | 5820     | 0.83 | 0.27     | 7984  | 5223     | 0.92 | 0.30     | 6982  | 4567     | 1.06 | 0.40     | 5262  | 3442     | 1.40 | 0.46     | 4643  | 3037     | 1.59 | 0.50     | 4213  | 2756     | 1.75 | 0.59     | 3621  | 2369     | 2.0  | 0.67     | 3161  | 2068     | 2.3  | 0.87     | 2441  | 1597     | 3.0  | 0.99     | 2142  | 1401     | 3.4  | 3.0      | 744   | 281.71   | 1.9  | 3.2      | 694   | 262.93   | 2.0  | 3.8      | 596   | 225.79   | 2.4  | 4.3      | 524   | 198.31   | 2.7  | 4.5      | 497   | 188.40   | 2.8  | 0.47     | 4508  | 2949     | 0.90 | 0.54     | 3959  | 2590     | 1.02 | 0.61     | 3466  | 2267     | 1.17 | 0.63     | 3362  | 2199     | 1.20 | 0.80     | 2658  | 1739     | 1.52 | 0.90     | 2357  | 1542     | 1.71 | 1.0      | 2032  | 1329     | 2.0  | 1.2      | 1807  | 1182     | 2.2  | 1.3      | 1578  | 1032     | 2.6  | F 127R77 |       |          |      |          | 4     | F 107R77 |      |          |       |          | 4    | F 97R57  |       |          |      |          | 4     | F 77     |      |          |       |          | 6    |          |       |          |      |          |       |          |      |          |       |          |      |          |       |          |      |          |       |          |      |          |       |          |      |          |       |          |      |          |       |          |      |          |       |          |      |          |       |          |      |          |       |          |      |          |       |          |      |          |       |          |      |          |       |          |      |          |       |          |      |          |       |          |      |          |       |          |      |          |       |          |      |          |       |          |      |          |       |          |      |          |       |          |      |          |       |          |      |          |       |          |      |          |       |          |      |          |       |          |      |          |       |          |      |          |       |          |      |          |       |          |      |          |       |          |      |          |       |          |      |          |       |          |      |          |       |          |      |          |       |          |      |          |       |          |      |          |       |          |       |          |       |          |       |          |      |          |       |          |      |          |       |          |      |          |       |          |      |          |       |          |       |          |       |          |       |          |      |          |       |          |      |          |       |          |      |          |       |          |      |          |       |          |      |          |      |          |      |          |      |          |      |          |      |          |      |          |      |          |      |          |      |          |      |          |      |          |      |          |      |          |      |          |      |          |      |          |      |          |      |          |      |          |      |          |      |          |      |          |      |          |      |          |      |          |      |          |      |          |      |          |      |          |      |          |      |          |      |          |      |          |      |          |      |          |      |         |      |          |      |         |      |          |      |          |      |          |      |          |      |          |      |          |      |          |      |          |      |         |      |          |      |         |     |          |      |          |     |          |      |          |     |          |   |          |   |         |   |          |   |         |   |      |   |         |   |      |   |  |   |      |   |  |  |  |   |
| 9.4           | 226        | 148      | 1.66                   | 11          | 199     | 130           | 1.89       | 10       | 203                    | 133         | 0.92    | 11       | 197   | 129      | 0.95 | 12       | 180   | 118      | 1.04 | 14       | 150   | 98       | 1.25 | 16       | 133   | 87       | 1.41 | 0.16     | 13607 | 8901     | 0.83 | 0.18     | 11775 | 7703     | 0.96 | 0.21     | 10346 | 6768     | 1.09 | 0.23     | 9131  | 5973     | 1.24 | 0.27     | 7760  | 5076     | 1.45 | 0.31     | 6827  | 4466     | 1.7  | 0.24     | 8897  | 5820     | 0.83 | 0.27     | 7984  | 5223     | 0.92 | 0.30     | 6982  | 4567     | 1.06 | 0.40     | 5262  | 3442     | 1.40 | 0.46     | 4643  | 3037     | 1.59 | 0.50     | 4213  | 2756     | 1.75 | 0.59     | 3621  | 2369     | 2.0  | 0.67     | 3161  | 2068     | 2.3  | 0.87     | 2441  | 1597     | 3.0  | 0.99     | 2142  | 1401     | 3.4  | 3.0      | 744   | 281.71   | 1.9  | 3.2      | 694   | 262.93   | 2.0  | 3.8      | 596   | 225.79   | 2.4  | 4.3      | 524   | 198.31   | 2.7  | 4.5      | 497   | 188.40   | 2.8  | 0.47     | 4508  | 2949     | 0.90 | 0.54     | 3959  | 2590     | 1.02 | 0.61     | 3466  | 2267     | 1.17 | 0.63     | 3362  | 2199     | 1.20 | 0.80     | 2658  | 1739     | 1.52 | 0.90     | 2357  | 1542     | 1.71 | 1.0      | 2032  | 1329     | 2.0  | 1.2      | 1807  | 1182     | 2.2  | 1.3      | 1578  | 1032     | 2.6  | F 127R77 |       |          |      |          | 4     | F 107R77 |      |          |       |          | 4    | F 97R57  |       |          |      |          | 4     | F 77     |      |          |       |          | 6    |          |       |          |      |          |       |          |      |          |       |          |      |          |       |          |      |          |       |          |      |          |       |          |      |          |       |          |      |          |       |          |      |          |       |          |      |          |       |          |      |          |       |          |      |          |       |          |      |          |       |          |      |          |       |          |      |          |       |          |      |          |       |          |      |          |       |          |      |          |       |          |      |          |       |          |      |          |       |          |      |          |       |          |      |          |       |          |      |          |       |          |      |          |       |          |      |          |       |          |      |          |       |          |      |          |       |          |      |          |       |          |      |          |       |          |      |          |       |          |      |          |       |          |      |          |       |          |      |          |       |          |      |          |       |          |      |          |       |          |      |          |       |          |       |          |       |          |       |          |      |          |       |          |      |          |       |          |      |          |       |          |      |          |       |          |       |          |       |          |       |          |      |          |       |          |      |          |       |          |      |          |       |          |      |          |       |          |      |          |      |          |      |          |      |          |      |          |      |          |      |          |      |          |      |          |      |          |      |          |      |          |      |          |      |          |      |          |      |          |      |          |      |          |      |          |      |          |      |          |      |          |      |          |      |          |      |          |      |          |      |          |      |          |      |          |      |          |      |          |      |          |      |          |      |          |      |          |      |          |      |         |      |          |      |         |      |          |      |          |      |          |      |          |      |          |      |          |      |          |      |          |      |         |      |          |      |         |     |          |      |          |     |          |      |          |     |          |   |          |   |         |   |          |   |         |   |      |   |         |   |      |   |  |   |      |   |  |  |  |   |
| 11            | 199        | 130      | 1.89                   | 10          | 203     | 133           | 0.92       | 11       | 197                    | 129         | 0.95    | 12       | 180   | 118      | 1.04 | 14       | 150   | 98       | 1.25 | 16       | 133   | 87       | 1.41 | 0.16     | 13607 | 8901     | 0.83 | 0.18     | 11775 | 7703     | 0.96 | 0.21     | 10346 | 6768     | 1.09 | 0.23     | 9131  | 5973     | 1.24 | 0.27     | 7760  | 5076     | 1.45 | 0.31     | 6827  | 4466     | 1.7  | 0.24     | 8897  | 5820     | 0.83 | 0.27     | 7984  | 5223     | 0.92 | 0.30     | 6982  | 4567     | 1.06 | 0.40     | 5262  | 3442     | 1.40 | 0.46     | 4643  | 3037     | 1.59 | 0.50     | 4213  | 2756     | 1.75 | 0.59     | 3621  | 2369     | 2.0  | 0.67     | 3161  | 2068     | 2.3  | 0.87     | 2441  | 1597     | 3.0  | 0.99     | 2142  | 1401     | 3.4  | 3.0      | 744   | 281.71   | 1.9  | 3.2      | 694   | 262.93   | 2.0  | 3.8      | 596   | 225.79   | 2.4  | 4.3      | 524   | 198.31   | 2.7  | 4.5      | 497   | 188.40   | 2.8  | 0.47     | 4508  | 2949     | 0.90 | 0.54     | 3959  | 2590     | 1.02 | 0.61     | 3466  | 2267     | 1.17 | 0.63     | 3362  | 2199     | 1.20 | 0.80     | 2658  | 1739     | 1.52 | 0.90     | 2357  | 1542     | 1.71 | 1.0      | 2032  | 1329     | 2.0  | 1.2      | 1807  | 1182     | 2.2  | 1.3      | 1578  | 1032     | 2.6  | F 127R77 |       |          |      |          | 4     | F 107R77 |      |          |       |          | 4    | F 97R57  |       |          |      |          | 4     | F 77     |      |          |       |          | 6    |          |       |          |      |          |       |          |      |          |       |          |      |          |       |          |      |          |       |          |      |          |       |          |      |          |       |          |      |          |       |          |      |          |       |          |      |          |       |          |      |          |       |          |      |          |       |          |      |          |       |          |      |          |       |          |      |          |       |          |      |          |       |          |      |          |       |          |      |          |       |          |      |          |       |          |      |          |       |          |      |          |       |          |      |          |       |          |      |          |       |          |      |          |       |          |      |          |       |          |      |          |       |          |      |          |       |          |      |          |       |          |      |          |       |          |      |          |       |          |      |          |       |          |      |          |       |          |      |          |       |          |      |          |       |          |      |          |       |          |      |          |       |          |      |          |       |          |       |          |       |          |       |          |      |          |       |          |      |          |       |          |      |          |       |          |      |          |       |          |       |          |       |          |       |          |      |          |       |          |      |          |       |          |      |          |       |          |      |          |       |          |      |          |      |          |      |          |      |          |      |          |      |          |      |          |      |          |      |          |      |          |      |          |      |          |      |          |      |          |      |          |      |          |      |          |      |          |      |          |      |          |      |          |      |          |      |          |      |          |      |          |      |          |      |          |      |          |      |          |      |          |      |          |      |          |      |          |      |          |      |          |      |          |      |         |      |          |      |         |      |          |      |          |      |          |      |          |      |          |      |          |      |          |      |          |      |         |      |          |      |         |     |          |      |          |     |          |      |          |     |          |   |          |   |         |   |          |   |         |   |      |   |         |   |      |   |  |   |      |   |  |  |  |   |
| 10            | 203        | 133      | 0.92                   | 11          | 197     | 129           | 0.95       | 12       | 180                    | 118         | 1.04    | 14       | 150   | 98       | 1.25 | 16       | 133   | 87       | 1.41 | 0.16     | 13607 | 8901     | 0.83 | 0.18     | 11775 | 7703     | 0.96 | 0.21     | 10346 | 6768     | 1.09 | 0.23     | 9131  | 5973     | 1.24 | 0.27     | 7760  | 5076     | 1.45 | 0.31     | 6827  | 4466     | 1.7  | 0.24     | 8897  | 5820     | 0.83 | 0.27     | 7984  | 5223     | 0.92 | 0.30     | 6982  | 4567     | 1.06 | 0.40     | 5262  | 3442     | 1.40 | 0.46     | 4643  | 3037     | 1.59 | 0.50     | 4213  | 2756     | 1.75 | 0.59     | 3621  | 2369     | 2.0  | 0.67     | 3161  | 2068     | 2.3  | 0.87     | 2441  | 1597     | 3.0  | 0.99     | 2142  | 1401     | 3.4  | 3.0      | 744   | 281.71   | 1.9  | 3.2      | 694   | 262.93   | 2.0  | 3.8      | 596   | 225.79   | 2.4  | 4.3      | 524   | 198.31   | 2.7  | 4.5      | 497   | 188.40   | 2.8  | 0.47     | 4508  | 2949     | 0.90 | 0.54     | 3959  | 2590     | 1.02 | 0.61     | 3466  | 2267     | 1.17 | 0.63     | 3362  | 2199     | 1.20 | 0.80     | 2658  | 1739     | 1.52 | 0.90     | 2357  | 1542     | 1.71 | 1.0      | 2032  | 1329     | 2.0  | 1.2      | 1807  | 1182     | 2.2  | 1.3      | 1578  | 1032     | 2.6  | F 127R77 |       |          |      |          | 4     | F 107R77 |      |          |       |          | 4    | F 97R57  |       |          |      |          | 4     | F 77     |      |          |       |          | 6    |          |       |          |      |          |       |          |      |          |       |          |      |          |       |          |      |          |       |          |      |          |       |          |      |          |       |          |      |          |       |          |      |          |       |          |      |          |       |          |      |          |       |          |      |          |       |          |      |          |       |          |      |          |       |          |      |          |       |          |      |          |       |          |      |          |       |          |      |          |       |          |      |          |       |          |      |          |       |          |      |          |       |          |      |          |       |          |      |          |       |          |      |          |       |          |      |          |       |          |      |          |       |          |      |          |       |          |      |          |       |          |      |          |       |          |      |          |       |          |      |          |       |          |      |          |       |          |      |          |       |          |      |          |       |          |      |          |       |          |      |          |       |          |      |          |       |          |      |          |       |          |       |          |       |          |       |          |      |          |       |          |      |          |       |          |      |          |       |          |      |          |       |          |       |          |       |          |       |          |      |          |       |          |      |          |       |          |      |          |       |          |      |          |       |          |      |          |      |          |      |          |      |          |      |          |      |          |      |          |      |          |      |          |      |          |      |          |      |          |      |          |      |          |      |          |      |          |      |          |      |          |      |          |      |          |      |          |      |          |      |          |      |          |      |          |      |          |      |          |      |          |      |          |      |          |      |          |      |          |      |          |      |          |      |          |      |          |      |         |      |          |      |         |      |          |      |          |      |          |      |          |      |          |      |          |      |          |      |          |      |         |      |          |      |         |     |          |      |          |     |          |      |          |     |          |   |          |   |         |   |          |   |         |   |      |   |         |   |      |   |  |   |      |   |  |  |  |   |
| 11            | 197        | 129      | 0.95                   | 12          | 180     | 118           | 1.04       | 14       | 150                    | 98          | 1.25    | 16       | 133   | 87       | 1.41 | 0.16     | 13607 | 8901     | 0.83 | 0.18     | 11775 | 7703     | 0.96 | 0.21     | 10346 | 6768     | 1.09 | 0.23     | 9131  | 5973     | 1.24 | 0.27     | 7760  | 5076     | 1.45 | 0.31     | 6827  | 4466     | 1.7  | 0.24     | 8897  | 5820     | 0.83 | 0.27     | 7984  | 5223     | 0.92 | 0.30     | 6982  | 4567     | 1.06 | 0.40     | 5262  | 3442     | 1.40 | 0.46     | 4643  | 3037     | 1.59 | 0.50     | 4213  | 2756     | 1.75 | 0.59     | 3621  | 2369     | 2.0  | 0.67     | 3161  | 2068     | 2.3  | 0.87     | 2441  | 1597     | 3.0  | 0.99     | 2142  | 1401     | 3.4  | 3.0      | 744   | 281.71   | 1.9  | 3.2      | 694   | 262.93   | 2.0  | 3.8      | 596   | 225.79   | 2.4  | 4.3      | 524   | 198.31   | 2.7  | 4.5      | 497   | 188.40   | 2.8  | 0.47     | 4508  | 2949     | 0.90 | 0.54     | 3959  | 2590     | 1.02 | 0.61     | 3466  | 2267     | 1.17 | 0.63     | 3362  | 2199     | 1.20 | 0.80     | 2658  | 1739     | 1.52 | 0.90     | 2357  | 1542     | 1.71 | 1.0      | 2032  | 1329     | 2.0  | 1.2      | 1807  | 1182     | 2.2  | 1.3      | 1578  | 1032     | 2.6  | F 127R77 |       |          |      |          | 4     | F 107R77 |      |          |       |          | 4    | F 97R57  |       |          |      |          | 4     | F 77     |      |          |       |          | 6    |          |       |          |      |          |       |          |      |          |       |          |      |          |       |          |      |          |       |          |      |          |       |          |      |          |       |          |      |          |       |          |      |          |       |          |      |          |       |          |      |          |       |          |      |          |       |          |      |          |       |          |      |          |       |          |      |          |       |          |      |          |       |          |      |          |       |          |      |          |       |          |      |          |       |          |      |          |       |          |      |          |       |          |      |          |       |          |      |          |       |          |      |          |       |          |      |          |       |          |      |          |       |          |      |          |       |          |      |          |       |          |      |          |       |          |      |          |       |          |      |          |       |          |      |          |       |          |      |          |       |          |      |          |       |          |      |          |       |          |      |          |       |          |      |          |       |          |      |          |       |          |      |          |       |          |       |          |       |          |       |          |      |          |       |          |      |          |       |          |      |          |       |          |      |          |       |          |       |          |       |          |       |          |      |          |       |          |      |          |       |          |      |          |       |          |      |          |       |          |      |          |      |          |      |          |      |          |      |          |      |          |      |          |      |          |      |          |      |          |      |          |      |          |      |          |      |          |      |          |      |          |      |          |      |          |      |          |      |          |      |          |      |          |      |          |      |          |      |          |      |          |      |          |      |          |      |          |      |          |      |          |      |          |      |          |      |          |      |          |      |          |      |         |      |          |      |         |      |          |      |          |      |          |      |          |      |          |      |          |      |          |      |          |      |         |      |          |      |         |     |          |      |          |     |          |      |          |     |          |   |          |   |         |   |          |   |         |   |      |   |         |   |      |   |  |   |      |   |  |  |  |   |
| 12            | 180        | 118      | 1.04                   | 14          | 150     | 98            | 1.25       | 16       | 133                    | 87          | 1.41    | 0.16     | 13607 | 8901     | 0.83 | 0.18     | 11775 | 7703     | 0.96 | 0.21     | 10346 | 6768     | 1.09 | 0.23     | 9131  | 5973     | 1.24 | 0.27     | 7760  | 5076     | 1.45 | 0.31     | 6827  | 4466     | 1.7  | 0.24     | 8897  | 5820     | 0.83 | 0.27     | 7984  | 5223     | 0.92 | 0.30     | 6982  | 4567     | 1.06 | 0.40     | 5262  | 3442     | 1.40 | 0.46     | 4643  | 3037     | 1.59 | 0.50     | 4213  | 2756     | 1.75 | 0.59     | 3621  | 2369     | 2.0  | 0.67     | 3161  | 2068     | 2.3  | 0.87     | 2441  | 1597     | 3.0  | 0.99     | 2142  | 1401     | 3.4  | 3.0      | 744   | 281.71   | 1.9  | 3.2      | 694   | 262.93   | 2.0  | 3.8      | 596   | 225.79   | 2.4  | 4.3      | 524   | 198.31   | 2.7  | 4.5      | 497   | 188.40   | 2.8  | 0.47     | 4508  | 2949     | 0.90 | 0.54     | 3959  | 2590     | 1.02 | 0.61     | 3466  | 2267     | 1.17 | 0.63     | 3362  | 2199     | 1.20 | 0.80     | 2658  | 1739     | 1.52 | 0.90     | 2357  | 1542     | 1.71 | 1.0      | 2032  | 1329     | 2.0  | 1.2      | 1807  | 1182     | 2.2  | 1.3      | 1578  | 1032     | 2.6  | F 127R77 |       |          |      |          | 4     | F 107R77 |      |          |       |          | 4    | F 97R57  |       |          |      |          | 4     | F 77     |      |          |       |          | 6    |          |       |          |      |          |       |          |      |          |       |          |      |          |       |          |      |          |       |          |      |          |       |          |      |          |       |          |      |          |       |          |      |          |       |          |      |          |       |          |      |          |       |          |      |          |       |          |      |          |       |          |      |          |       |          |      |          |       |          |      |          |       |          |      |          |       |          |      |          |       |          |      |          |       |          |      |          |       |          |      |          |       |          |      |          |       |          |      |          |       |          |      |          |       |          |      |          |       |          |      |          |       |          |      |          |       |          |      |          |       |          |      |          |       |          |      |          |       |          |      |          |       |          |      |          |       |          |      |          |       |          |      |          |       |          |      |          |       |          |      |          |       |          |      |          |       |          |      |          |       |          |      |          |       |          |      |          |       |          |       |          |       |          |       |          |      |          |       |          |      |          |       |          |      |          |       |          |      |          |       |          |       |          |       |          |       |          |      |          |       |          |      |          |       |          |      |          |       |          |      |          |       |          |      |          |      |          |      |          |      |          |      |          |      |          |      |          |      |          |      |          |      |          |      |          |      |          |      |          |      |          |      |          |      |          |      |          |      |          |      |          |      |          |      |          |      |          |      |          |      |          |      |          |      |          |      |          |      |          |      |          |      |          |      |          |      |          |      |          |      |          |      |          |      |          |      |         |      |          |      |         |      |          |      |          |      |          |      |          |      |          |      |          |      |          |      |          |      |         |      |          |      |         |     |          |      |          |     |          |      |          |     |          |   |          |   |         |   |          |   |         |   |      |   |         |   |      |   |  |   |      |   |  |  |  |   |
| 14            | 150        | 98       | 1.25                   | 16          | 133     | 87            | 1.41       | 0.16     | 13607                  | 8901        | 0.83    | 0.18     | 11775 | 7703     | 0.96 | 0.21     | 10346 | 6768     | 1.09 | 0.23     | 9131  | 5973     | 1.24 | 0.27     | 7760  | 5076     | 1.45 | 0.31     | 6827  | 4466     | 1.7  | 0.24     | 8897  | 5820     | 0.83 | 0.27     | 7984  | 5223     | 0.92 | 0.30     | 6982  | 4567     | 1.06 | 0.40     | 5262  | 3442     | 1.40 | 0.46     | 4643  | 3037     | 1.59 | 0.50     | 4213  | 2756     | 1.75 | 0.59     | 3621  | 2369     | 2.0  | 0.67     | 3161  | 2068     | 2.3  | 0.87     | 2441  | 1597     | 3.0  | 0.99     | 2142  | 1401     | 3.4  | 3.0      | 744   | 281.71   | 1.9  | 3.2      | 694   | 262.93   | 2.0  | 3.8      | 596   | 225.79   | 2.4  | 4.3      | 524   | 198.31   | 2.7  | 4.5      | 497   | 188.40   | 2.8  | 0.47     | 4508  | 2949     | 0.90 | 0.54     | 3959  | 2590     | 1.02 | 0.61     | 3466  | 2267     | 1.17 | 0.63     | 3362  | 2199     | 1.20 | 0.80     | 2658  | 1739     | 1.52 | 0.90     | 2357  | 1542     | 1.71 | 1.0      | 2032  | 1329     | 2.0  | 1.2      | 1807  | 1182     | 2.2  | 1.3      | 1578  | 1032     | 2.6  | F 127R77 |       |          |      |          | 4     | F 107R77 |      |          |       |          | 4    | F 97R57  |       |          |      |          | 4     | F 77     |      |          |       |          | 6    |          |       |          |      |          |       |          |      |          |       |          |      |          |       |          |      |          |       |          |      |          |       |          |      |          |       |          |      |          |       |          |      |          |       |          |      |          |       |          |      |          |       |          |      |          |       |          |      |          |       |          |      |          |       |          |      |          |       |          |      |          |       |          |      |          |       |          |      |          |       |          |      |          |       |          |      |          |       |          |      |          |       |          |      |          |       |          |      |          |       |          |      |          |       |          |      |          |       |          |      |          |       |          |      |          |       |          |      |          |       |          |      |          |       |          |      |          |       |          |      |          |       |          |      |          |       |          |      |          |       |          |      |          |       |          |      |          |       |          |      |          |       |          |      |          |       |          |      |          |       |          |      |          |       |          |      |          |       |          |      |          |       |          |       |          |       |          |       |          |      |          |       |          |      |          |       |          |      |          |       |          |      |          |       |          |       |          |       |          |       |          |      |          |       |          |      |          |       |          |      |          |       |          |      |          |       |          |      |          |      |          |      |          |      |          |      |          |      |          |      |          |      |          |      |          |      |          |      |          |      |          |      |          |      |          |      |          |      |          |      |          |      |          |      |          |      |          |      |          |      |          |      |          |      |          |      |          |      |          |      |          |      |          |      |          |      |          |      |          |      |          |      |          |      |          |      |          |      |          |      |         |      |          |      |         |      |          |      |          |      |          |      |          |      |          |      |          |      |          |      |          |      |         |      |          |      |         |     |          |      |          |     |          |      |          |     |          |   |          |   |         |   |          |   |         |   |      |   |         |   |      |   |  |   |      |   |  |  |  |   |
| 16            | 133        | 87       | 1.41                   | 0.16        | 13607   | 8901          | 0.83       | 0.18     | 11775                  | 7703        | 0.96    | 0.21     | 10346 | 6768     | 1.09 | 0.23     | 9131  | 5973     | 1.24 | 0.27     | 7760  | 5076     | 1.45 | 0.31     | 6827  | 4466     | 1.7  | 0.24     | 8897  | 5820     | 0.83 | 0.27     | 7984  | 5223     | 0.92 | 0.30     | 6982  | 4567     | 1.06 | 0.40     | 5262  | 3442     | 1.40 | 0.46     | 4643  | 3037     | 1.59 | 0.50     | 4213  | 2756     | 1.75 | 0.59     | 3621  | 2369     | 2.0  | 0.67     | 3161  | 2068     | 2.3  | 0.87     | 2441  | 1597     | 3.0  | 0.99     | 2142  | 1401     | 3.4  | 3.0      | 744   | 281.71   | 1.9  | 3.2      | 694   | 262.93   | 2.0  | 3.8      | 596   | 225.79   | 2.4  | 4.3      | 524   | 198.31   | 2.7  | 4.5      | 497   | 188.40   | 2.8  | 0.47     | 4508  | 2949     | 0.90 | 0.54     | 3959  | 2590     | 1.02 | 0.61     | 3466  | 2267     | 1.17 | 0.63     | 3362  | 2199     | 1.20 | 0.80     | 2658  | 1739     | 1.52 | 0.90     | 2357  | 1542     | 1.71 | 1.0      | 2032  | 1329     | 2.0  | 1.2      | 1807  | 1182     | 2.2  | 1.3      | 1578  | 1032     | 2.6  | F 127R77 |       |          |      |          | 4     | F 107R77 |      |          |       |          | 4    | F 97R57  |       |          |      |          | 4     | F 77     |      |          |       |          | 6    |          |       |          |      |          |       |          |      |          |       |          |      |          |       |          |      |          |       |          |      |          |       |          |      |          |       |          |      |          |       |          |      |          |       |          |      |          |       |          |      |          |       |          |      |          |       |          |      |          |       |          |      |          |       |          |      |          |       |          |      |          |       |          |      |          |       |          |      |          |       |          |      |          |       |          |      |          |       |          |      |          |       |          |      |          |       |          |      |          |       |          |      |          |       |          |      |          |       |          |      |          |       |          |      |          |       |          |      |          |       |          |      |          |       |          |      |          |       |          |      |          |       |          |      |          |       |          |      |          |       |          |      |          |       |          |      |          |       |          |      |          |       |          |      |          |       |          |      |          |       |          |      |          |       |          |      |          |       |          |      |          |       |          |      |          |       |          |       |          |       |          |       |          |      |          |       |          |      |          |       |          |      |          |       |          |      |          |       |          |       |          |       |          |       |          |      |          |       |          |      |          |       |          |      |          |       |          |      |          |       |          |      |          |      |          |      |          |      |          |      |          |      |          |      |          |      |          |      |          |      |          |      |          |      |          |      |          |      |          |      |          |      |          |      |          |      |          |      |          |      |          |      |          |      |          |      |          |      |          |      |          |      |          |      |          |      |          |      |          |      |          |      |          |      |          |      |          |      |          |      |          |      |          |      |         |      |          |      |         |      |          |      |          |      |          |      |          |      |          |      |          |      |          |      |          |      |         |      |          |      |         |     |          |      |          |     |          |      |          |     |          |   |          |   |         |   |          |   |         |   |      |   |         |   |      |   |  |   |      |   |  |  |  |   |
| 0.16          | 13607      | 8901     | 0.83                   | 0.18        | 11775   | 7703          | 0.96       | 0.21     | 10346                  | 6768        | 1.09    | 0.23     | 9131  | 5973     | 1.24 | 0.27     | 7760  | 5076     | 1.45 | 0.31     | 6827  | 4466     | 1.7  | 0.24     | 8897  | 5820     | 0.83 | 0.27     | 7984  | 5223     | 0.92 | 0.30     | 6982  | 4567     | 1.06 | 0.40     | 5262  | 3442     | 1.40 | 0.46     | 4643  | 3037     | 1.59 | 0.50     | 4213  | 2756     | 1.75 | 0.59     | 3621  | 2369     | 2.0  | 0.67     | 3161  | 2068     | 2.3  | 0.87     | 2441  | 1597     | 3.0  | 0.99     | 2142  | 1401     | 3.4  | 3.0      | 744   | 281.71   | 1.9  | 3.2      | 694   | 262.93   | 2.0  | 3.8      | 596   | 225.79   | 2.4  | 4.3      | 524   | 198.31   | 2.7  | 4.5      | 497   | 188.40   | 2.8  | 0.47     | 4508  | 2949     | 0.90 | 0.54     | 3959  | 2590     | 1.02 | 0.61     | 3466  | 2267     | 1.17 | 0.63     | 3362  | 2199     | 1.20 | 0.80     | 2658  | 1739     | 1.52 | 0.90     | 2357  | 1542     | 1.71 | 1.0      | 2032  | 1329     | 2.0  | 1.2      | 1807  | 1182     | 2.2  | 1.3      | 1578  | 1032     | 2.6  | F 127R77 |       |          |      |          | 4     | F 107R77 |      |          |       |          | 4    | F 97R57  |       |          |      |          | 4     | F 77     |      |          |       |          | 6    |          |       |          |      |          |       |          |      |          |       |          |      |          |       |          |      |          |       |          |      |          |       |          |      |          |       |          |      |          |       |          |      |          |       |          |      |          |       |          |      |          |       |          |      |          |       |          |      |          |       |          |      |          |       |          |      |          |       |          |      |          |       |          |      |          |       |          |      |          |       |          |      |          |       |          |      |          |       |          |      |          |       |          |      |          |       |          |      |          |       |          |      |          |       |          |      |          |       |          |      |          |       |          |      |          |       |          |      |          |       |          |      |          |       |          |      |          |       |          |      |          |       |          |      |          |       |          |      |          |       |          |      |          |       |          |      |          |       |          |      |          |       |          |      |          |       |          |      |          |       |          |      |          |       |          |      |          |       |          |      |          |       |          |      |          |       |          |      |          |       |          |       |          |       |          |       |          |      |          |       |          |      |          |       |          |      |          |       |          |      |          |       |          |       |          |       |          |       |          |      |          |       |          |      |          |       |          |      |          |       |          |      |          |       |          |      |          |      |          |      |          |      |          |      |          |      |          |      |          |      |          |      |          |      |          |      |          |      |          |      |          |      |          |      |          |      |          |      |          |      |          |      |          |      |          |      |          |      |          |      |          |      |          |      |          |      |          |      |          |      |          |      |          |      |          |      |          |      |          |      |          |      |          |      |          |      |          |      |         |      |          |      |         |      |          |      |          |      |          |      |          |      |          |      |          |      |          |      |          |      |         |      |          |      |         |     |          |      |          |     |          |      |          |     |          |   |          |   |         |   |          |   |         |   |      |   |         |   |      |   |  |   |      |   |  |  |  |   |
| 0.18          | 11775      | 7703     | 0.96                   | 0.21        | 10346   | 6768          | 1.09       | 0.23     | 9131                   | 5973        | 1.24    | 0.27     | 7760  | 5076     | 1.45 | 0.31     | 6827  | 4466     | 1.7  | 0.24     | 8897  | 5820     | 0.83 | 0.27     | 7984  | 5223     | 0.92 | 0.30     | 6982  | 4567     | 1.06 | 0.40     | 5262  | 3442     | 1.40 | 0.46     | 4643  | 3037     | 1.59 | 0.50     | 4213  | 2756     | 1.75 | 0.59     | 3621  | 2369     | 2.0  | 0.67     | 3161  | 2068     | 2.3  | 0.87     | 2441  | 1597     | 3.0  | 0.99     | 2142  | 1401     | 3.4  | 3.0      | 744   | 281.71   | 1.9  | 3.2      | 694   | 262.93   | 2.0  | 3.8      | 596   | 225.79   | 2.4  | 4.3      | 524   | 198.31   | 2.7  | 4.5      | 497   | 188.40   | 2.8  | 0.47     | 4508  | 2949     | 0.90 | 0.54     | 3959  | 2590     | 1.02 | 0.61     | 3466  | 2267     | 1.17 | 0.63     | 3362  | 2199     | 1.20 | 0.80     | 2658  | 1739     | 1.52 | 0.90     | 2357  | 1542     | 1.71 | 1.0      | 2032  | 1329     | 2.0  | 1.2      | 1807  | 1182     | 2.2  | 1.3      | 1578  | 1032     | 2.6  | F 127R77 |       |          |      |          | 4     | F 107R77 |      |          |       |          | 4    | F 97R57  |       |          |      |          | 4     | F 77     |      |          |       |          | 6    |          |       |          |      |          |       |          |      |          |       |          |      |          |       |          |      |          |       |          |      |          |       |          |      |          |       |          |      |          |       |          |      |          |       |          |      |          |       |          |      |          |       |          |      |          |       |          |      |          |       |          |      |          |       |          |      |          |       |          |      |          |       |          |      |          |       |          |      |          |       |          |      |          |       |          |      |          |       |          |      |          |       |          |      |          |       |          |      |          |       |          |      |          |       |          |      |          |       |          |      |          |       |          |      |          |       |          |      |          |       |          |      |          |       |          |      |          |       |          |      |          |       |          |      |          |       |          |      |          |       |          |      |          |       |          |      |          |       |          |      |          |       |          |      |          |       |          |      |          |       |          |      |          |       |          |      |          |       |          |      |          |       |          |      |          |       |          |      |          |       |          |      |          |       |          |       |          |       |          |       |          |      |          |       |          |      |          |       |          |      |          |       |          |      |          |       |          |       |          |       |          |       |          |      |          |       |          |      |          |       |          |      |          |       |          |      |          |       |          |      |          |      |          |      |          |      |          |      |          |      |          |      |          |      |          |      |          |      |          |      |          |      |          |      |          |      |          |      |          |      |          |      |          |      |          |      |          |      |          |      |          |      |          |      |          |      |          |      |          |      |          |      |          |      |          |      |          |      |          |      |          |      |          |      |          |      |          |      |          |      |          |      |         |      |          |      |         |      |          |      |          |      |          |      |          |      |          |      |          |      |          |      |          |      |         |      |          |      |         |     |          |      |          |     |          |      |          |     |          |   |          |   |         |   |          |   |         |   |      |   |         |   |      |   |  |   |      |   |  |  |  |   |
| 0.21          | 10346      | 6768     | 1.09                   | 0.23        | 9131    | 5973          | 1.24       | 0.27     | 7760                   | 5076        | 1.45    | 0.31     | 6827  | 4466     | 1.7  | 0.24     | 8897  | 5820     | 0.83 | 0.27     | 7984  | 5223     | 0.92 | 0.30     | 6982  | 4567     | 1.06 | 0.40     | 5262  | 3442     | 1.40 | 0.46     | 4643  | 3037     | 1.59 | 0.50     | 4213  | 2756     | 1.75 | 0.59     | 3621  | 2369     | 2.0  | 0.67     | 3161  | 2068     | 2.3  | 0.87     | 2441  | 1597     | 3.0  | 0.99     | 2142  | 1401     | 3.4  | 3.0      | 744   | 281.71   | 1.9  | 3.2      | 694   | 262.93   | 2.0  | 3.8      | 596   | 225.79   | 2.4  | 4.3      | 524   | 198.31   | 2.7  | 4.5      | 497   | 188.40   | 2.8  | 0.47     | 4508  | 2949     | 0.90 | 0.54     | 3959  | 2590     | 1.02 | 0.61     | 3466  | 2267     | 1.17 | 0.63     | 3362  | 2199     | 1.20 | 0.80     | 2658  | 1739     | 1.52 | 0.90     | 2357  | 1542     | 1.71 | 1.0      | 2032  | 1329     | 2.0  | 1.2      | 1807  | 1182     | 2.2  | 1.3      | 1578  | 1032     | 2.6  | F 127R77 |       |          |      |          | 4     | F 107R77 |      |          |       |          | 4    | F 97R57  |       |          |      |          | 4     | F 77     |      |          |       |          | 6    |          |       |          |      |          |       |          |      |          |       |          |      |          |       |          |      |          |       |          |      |          |       |          |      |          |       |          |      |          |       |          |      |          |       |          |      |          |       |          |      |          |       |          |      |          |       |          |      |          |       |          |      |          |       |          |      |          |       |          |      |          |       |          |      |          |       |          |      |          |       |          |      |          |       |          |      |          |       |          |      |          |       |          |      |          |       |          |      |          |       |          |      |          |       |          |      |          |       |          |      |          |       |          |      |          |       |          |      |          |       |          |      |          |       |          |      |          |       |          |      |          |       |          |      |          |       |          |      |          |       |          |      |          |       |          |      |          |       |          |      |          |       |          |      |          |       |          |      |          |       |          |      |          |       |          |      |          |       |          |      |          |       |          |      |          |       |          |      |          |       |          |      |          |       |          |      |          |       |          |       |          |       |          |       |          |      |          |       |          |      |          |       |          |      |          |       |          |      |          |       |          |       |          |       |          |       |          |      |          |       |          |      |          |       |          |      |          |       |          |      |          |       |          |      |          |      |          |      |          |      |          |      |          |      |          |      |          |      |          |      |          |      |          |      |          |      |          |      |          |      |          |      |          |      |          |      |          |      |          |      |          |      |          |      |          |      |          |      |          |      |          |      |          |      |          |      |          |      |          |      |          |      |          |      |          |      |          |      |          |      |          |      |          |      |          |      |         |      |          |      |         |      |          |      |          |      |          |      |          |      |          |      |          |      |          |      |          |      |         |      |          |      |         |     |          |      |          |     |          |      |          |     |          |   |          |   |         |   |          |   |         |   |      |   |         |   |      |   |  |   |      |   |  |  |  |   |
| 0.23          | 9131       | 5973     | 1.24                   | 0.27        | 7760    | 5076          | 1.45       | 0.31     | 6827                   | 4466        | 1.7     | 0.24     | 8897  | 5820     | 0.83 | 0.27     | 7984  | 5223     | 0.92 | 0.30     | 6982  | 4567     | 1.06 | 0.40     | 5262  | 3442     | 1.40 | 0.46     | 4643  | 3037     | 1.59 | 0.50     | 4213  | 2756     | 1.75 | 0.59     | 3621  | 2369     | 2.0  | 0.67     | 3161  | 2068     | 2.3  | 0.87     | 2441  | 1597     | 3.0  | 0.99     | 2142  | 1401     | 3.4  | 3.0      | 744   | 281.71   | 1.9  | 3.2      | 694   | 262.93   | 2.0  | 3.8      | 596   | 225.79   | 2.4  | 4.3      | 524   | 198.31   | 2.7  | 4.5      | 497   | 188.40   | 2.8  | 0.47     | 4508  | 2949     | 0.90 | 0.54     | 3959  | 2590     | 1.02 | 0.61     | 3466  | 2267     | 1.17 | 0.63     | 3362  | 2199     | 1.20 | 0.80     | 2658  | 1739     | 1.52 | 0.90     | 2357  | 1542     | 1.71 | 1.0      | 2032  | 1329     | 2.0  | 1.2      | 1807  | 1182     | 2.2  | 1.3      | 1578  | 1032     | 2.6  | F 127R77 |       |          |      |          | 4     | F 107R77 |      |          |       |          | 4    | F 97R57  |       |          |      |          | 4     | F 77     |      |          |       |          | 6    |          |       |          |      |          |       |          |      |          |       |          |      |          |       |          |      |          |       |          |      |          |       |          |      |          |       |          |      |          |       |          |      |          |       |          |      |          |       |          |      |          |       |          |      |          |       |          |      |          |       |          |      |          |       |          |      |          |       |          |      |          |       |          |      |          |       |          |      |          |       |          |      |          |       |          |      |          |       |          |      |          |       |          |      |          |       |          |      |          |       |          |      |          |       |          |      |          |       |          |      |          |       |          |      |          |       |          |      |          |       |          |      |          |       |          |      |          |       |          |      |          |       |          |      |          |       |          |      |          |       |          |      |          |       |          |      |          |       |          |      |          |       |          |      |          |       |          |      |          |       |          |      |          |       |          |      |          |       |          |      |          |       |          |      |          |       |          |      |          |       |          |      |          |       |          |      |          |       |          |      |          |       |          |       |          |       |          |       |          |      |          |       |          |      |          |       |          |      |          |       |          |      |          |       |          |       |          |       |          |       |          |      |          |       |          |      |          |       |          |      |          |       |          |      |          |       |          |      |          |      |          |      |          |      |          |      |          |      |          |      |          |      |          |      |          |      |          |      |          |      |          |      |          |      |          |      |          |      |          |      |          |      |          |      |          |      |          |      |          |      |          |      |          |      |          |      |          |      |          |      |          |      |          |      |          |      |          |      |          |      |          |      |          |      |          |      |          |      |          |      |         |      |          |      |         |      |          |      |          |      |          |      |          |      |          |      |          |      |          |      |          |      |         |      |          |      |         |     |          |      |          |     |          |      |          |     |          |   |          |   |         |   |          |   |         |   |      |   |         |   |      |   |  |   |      |   |  |  |  |   |
| 0.27          | 7760       | 5076     | 1.45                   | 0.31        | 6827    | 4466          | 1.7        | 0.24     | 8897                   | 5820        | 0.83    | 0.27     | 7984  | 5223     | 0.92 | 0.30     | 6982  | 4567     | 1.06 | 0.40     | 5262  | 3442     | 1.40 | 0.46     | 4643  | 3037     | 1.59 | 0.50     | 4213  | 2756     | 1.75 | 0.59     | 3621  | 2369     | 2.0  | 0.67     | 3161  | 2068     | 2.3  | 0.87     | 2441  | 1597     | 3.0  | 0.99     | 2142  | 1401     | 3.4  | 3.0      | 744   | 281.71   | 1.9  | 3.2      | 694   | 262.93   | 2.0  | 3.8      | 596   | 225.79   | 2.4  | 4.3      | 524   | 198.31   | 2.7  | 4.5      | 497   | 188.40   | 2.8  | 0.47     | 4508  | 2949     | 0.90 | 0.54     | 3959  | 2590     | 1.02 | 0.61     | 3466  | 2267     | 1.17 | 0.63     | 3362  | 2199     | 1.20 | 0.80     | 2658  | 1739     | 1.52 | 0.90     | 2357  | 1542     | 1.71 | 1.0      | 2032  | 1329     | 2.0  | 1.2      | 1807  | 1182     | 2.2  | 1.3      | 1578  | 1032     | 2.6  | F 127R77 |       |          |      |          | 4     | F 107R77 |      |          |       |          | 4    | F 97R57  |       |          |      |          | 4     | F 77     |      |          |       |          | 6    |          |       |          |      |          |       |          |      |          |       |          |      |          |       |          |      |          |       |          |      |          |       |          |      |          |       |          |      |          |       |          |      |          |       |          |      |          |       |          |      |          |       |          |      |          |       |          |      |          |       |          |      |          |       |          |      |          |       |          |      |          |       |          |      |          |       |          |      |          |       |          |      |          |       |          |      |          |       |          |      |          |       |          |      |          |       |          |      |          |       |          |      |          |       |          |      |          |       |          |      |          |       |          |      |          |       |          |      |          |       |          |      |          |       |          |      |          |       |          |      |          |       |          |      |          |       |          |      |          |       |          |      |          |       |          |      |          |       |          |      |          |       |          |      |          |       |          |      |          |       |          |      |          |       |          |      |          |       |          |      |          |       |          |      |          |       |          |      |          |       |          |      |          |       |          |      |          |       |          |      |          |       |          |      |          |       |          |       |          |       |          |       |          |      |          |       |          |      |          |       |          |      |          |       |          |      |          |       |          |       |          |       |          |       |          |      |          |       |          |      |          |       |          |      |          |       |          |      |          |       |          |      |          |      |          |      |          |      |          |      |          |      |          |      |          |      |          |      |          |      |          |      |          |      |          |      |          |      |          |      |          |      |          |      |          |      |          |      |          |      |          |      |          |      |          |      |          |      |          |      |          |      |          |      |          |      |          |      |          |      |          |      |          |      |          |      |          |      |          |      |          |      |          |      |         |      |          |      |         |      |          |      |          |      |          |      |          |      |          |      |          |      |          |      |          |      |         |      |          |      |         |     |          |      |          |     |          |      |          |     |          |   |          |   |         |   |          |   |         |   |      |   |         |   |      |   |  |   |      |   |  |  |  |   |
| 0.31          | 6827       | 4466     | 1.7                    | 0.24        | 8897    | 5820          | 0.83       | 0.27     | 7984                   | 5223        | 0.92    | 0.30     | 6982  | 4567     | 1.06 | 0.40     | 5262  | 3442     | 1.40 | 0.46     | 4643  | 3037     | 1.59 | 0.50     | 4213  | 2756     | 1.75 | 0.59     | 3621  | 2369     | 2.0  | 0.67     | 3161  | 2068     | 2.3  | 0.87     | 2441  | 1597     | 3.0  | 0.99     | 2142  | 1401     | 3.4  | 3.0      | 744   | 281.71   | 1.9  | 3.2      | 694   | 262.93   | 2.0  | 3.8      | 596   | 225.79   | 2.4  | 4.3      | 524   | 198.31   | 2.7  | 4.5      | 497   | 188.40   | 2.8  | 0.47     | 4508  | 2949     | 0.90 | 0.54     | 3959  | 2590     | 1.02 | 0.61     | 3466  | 2267     | 1.17 | 0.63     | 3362  | 2199     | 1.20 | 0.80     | 2658  | 1739     | 1.52 | 0.90     | 2357  | 1542     | 1.71 | 1.0      | 2032  | 1329     | 2.0  | 1.2      | 1807  | 1182     | 2.2  | 1.3      | 1578  | 1032     | 2.6  | F 127R77 |       |          |      |          | 4     | F 107R77 |      |          |       |          | 4    | F 97R57  |       |          |      |          | 4     | F 77     |      |          |       |          | 6    |          |       |          |      |          |       |          |      |          |       |          |      |          |       |          |      |          |       |          |      |          |       |          |      |          |       |          |      |          |       |          |      |          |       |          |      |          |       |          |      |          |       |          |      |          |       |          |      |          |       |          |      |          |       |          |      |          |       |          |      |          |       |          |      |          |       |          |      |          |       |          |      |          |       |          |      |          |       |          |      |          |       |          |      |          |       |          |      |          |       |          |      |          |       |          |      |          |       |          |      |          |       |          |      |          |       |          |      |          |       |          |      |          |       |          |      |          |       |          |      |          |       |          |      |          |       |          |      |          |       |          |      |          |       |          |      |          |       |          |      |          |       |          |      |          |       |          |      |          |       |          |      |          |       |          |      |          |       |          |      |          |       |          |      |          |       |          |      |          |       |          |      |          |       |          |      |          |       |          |      |          |       |          |      |          |       |          |      |          |       |          |       |          |       |          |       |          |      |          |       |          |      |          |       |          |      |          |       |          |      |          |       |          |       |          |       |          |       |          |      |          |       |          |      |          |       |          |      |          |       |          |      |          |       |          |      |          |      |          |      |          |      |          |      |          |      |          |      |          |      |          |      |          |      |          |      |          |      |          |      |          |      |          |      |          |      |          |      |          |      |          |      |          |      |          |      |          |      |          |      |          |      |          |      |          |      |          |      |          |      |          |      |          |      |          |      |          |      |          |      |          |      |          |      |          |      |          |      |         |      |          |      |         |      |          |      |          |      |          |      |          |      |          |      |          |      |          |      |          |      |         |      |          |      |         |     |          |      |          |     |          |      |          |     |          |   |          |   |         |   |          |   |         |   |      |   |         |   |      |   |  |   |      |   |  |  |  |   |
| 0.24          | 8897       | 5820     | 0.83                   | 0.27        | 7984    | 5223          | 0.92       | 0.30     | 6982                   | 4567        | 1.06    | 0.40     | 5262  | 3442     | 1.40 | 0.46     | 4643  | 3037     | 1.59 | 0.50     | 4213  | 2756     | 1.75 | 0.59     | 3621  | 2369     | 2.0  | 0.67     | 3161  | 2068     | 2.3  | 0.87     | 2441  | 1597     | 3.0  | 0.99     | 2142  | 1401     | 3.4  | 3.0      | 744   | 281.71   | 1.9  | 3.2      | 694   | 262.93   | 2.0  | 3.8      | 596   | 225.79   | 2.4  | 4.3      | 524   | 198.31   | 2.7  | 4.5      | 497   | 188.40   | 2.8  | 0.47     | 4508  | 2949     | 0.90 | 0.54     | 3959  | 2590     | 1.02 | 0.61     | 3466  | 2267     | 1.17 | 0.63     | 3362  | 2199     | 1.20 | 0.80     | 2658  | 1739     | 1.52 | 0.90     | 2357  | 1542     | 1.71 | 1.0      | 2032  | 1329     | 2.0  | 1.2      | 1807  | 1182     | 2.2  | 1.3      | 1578  | 1032     | 2.6  | F 127R77 |       |          |      |          | 4     | F 107R77 |      |          |       |          | 4    | F 97R57  |       |          |      |          | 4     | F 77     |      |          |       |          | 6    |          |       |          |      |          |       |          |      |          |       |          |      |          |       |          |      |          |       |          |      |          |       |          |      |          |       |          |      |          |       |          |      |          |       |          |      |          |       |          |      |          |       |          |      |          |       |          |      |          |       |          |      |          |       |          |      |          |       |          |      |          |       |          |      |          |       |          |      |          |       |          |      |          |       |          |      |          |       |          |      |          |       |          |      |          |       |          |      |          |       |          |      |          |       |          |      |          |       |          |      |          |       |          |      |          |       |          |      |          |       |          |      |          |       |          |      |          |       |          |      |          |       |          |      |          |       |          |      |          |       |          |      |          |       |          |      |          |       |          |      |          |       |          |      |          |       |          |      |          |       |          |      |          |       |          |      |          |       |          |      |          |       |          |      |          |       |          |      |          |       |          |      |          |       |          |      |          |       |          |      |          |       |          |      |          |       |          |      |          |       |          |      |          |       |          |       |          |       |          |       |          |      |          |       |          |      |          |       |          |      |          |       |          |      |          |       |          |       |          |       |          |       |          |      |          |       |          |      |          |       |          |      |          |       |          |      |          |       |          |      |          |      |          |      |          |      |          |      |          |      |          |      |          |      |          |      |          |      |          |      |          |      |          |      |          |      |          |      |          |      |          |      |          |      |          |      |          |      |          |      |          |      |          |      |          |      |          |      |          |      |          |      |          |      |          |      |          |      |          |      |          |      |          |      |          |      |          |      |          |      |          |      |         |      |          |      |         |      |          |      |          |      |          |      |          |      |          |      |          |      |          |      |          |      |         |      |          |      |         |     |          |      |          |     |          |      |          |     |          |   |          |   |         |   |          |   |         |   |      |   |         |   |      |   |  |   |      |   |  |  |  |   |
| 0.27          | 7984       | 5223     | 0.92                   | 0.30        | 6982    | 4567          | 1.06       | 0.40     | 5262                   | 3442        | 1.40    | 0.46     | 4643  | 3037     | 1.59 | 0.50     | 4213  | 2756     | 1.75 | 0.59     | 3621  | 2369     | 2.0  | 0.67     | 3161  | 2068     | 2.3  | 0.87     | 2441  | 1597     | 3.0  | 0.99     | 2142  | 1401     | 3.4  | 3.0      | 744   | 281.71   | 1.9  | 3.2      | 694   | 262.93   | 2.0  | 3.8      | 596   | 225.79   | 2.4  | 4.3      | 524   | 198.31   | 2.7  | 4.5      | 497   | 188.40   | 2.8  | 0.47     | 4508  | 2949     | 0.90 | 0.54     | 3959  | 2590     | 1.02 | 0.61     | 3466  | 2267     | 1.17 | 0.63     | 3362  | 2199     | 1.20 | 0.80     | 2658  | 1739     | 1.52 | 0.90     | 2357  | 1542     | 1.71 | 1.0      | 2032  | 1329     | 2.0  | 1.2      | 1807  | 1182     | 2.2  | 1.3      | 1578  | 1032     | 2.6  | F 127R77 |       |          |      |          | 4     | F 107R77 |      |          |       |          | 4    | F 97R57  |       |          |      |          | 4     | F 77     |      |          |       |          | 6    |          |       |          |      |          |       |          |      |          |       |          |      |          |       |          |      |          |       |          |      |          |       |          |      |          |       |          |      |          |       |          |      |          |       |          |      |          |       |          |      |          |       |          |      |          |       |          |      |          |       |          |      |          |       |          |      |          |       |          |      |          |       |          |      |          |       |          |      |          |       |          |      |          |       |          |      |          |       |          |      |          |       |          |      |          |       |          |      |          |       |          |      |          |       |          |      |          |       |          |      |          |       |          |      |          |       |          |      |          |       |          |      |          |       |          |      |          |       |          |      |          |       |          |      |          |       |          |      |          |       |          |      |          |       |          |      |          |       |          |      |          |       |          |      |          |       |          |      |          |       |          |      |          |       |          |      |          |       |          |      |          |       |          |      |          |       |          |      |          |       |          |      |          |       |          |      |          |       |          |      |          |       |          |      |          |       |          |      |          |       |          |      |          |       |          |      |          |       |          |       |          |       |          |       |          |      |          |       |          |      |          |       |          |      |          |       |          |      |          |       |          |       |          |       |          |       |          |      |          |       |          |      |          |       |          |      |          |       |          |      |          |       |          |      |          |      |          |      |          |      |          |      |          |      |          |      |          |      |          |      |          |      |          |      |          |      |          |      |          |      |          |      |          |      |          |      |          |      |          |      |          |      |          |      |          |      |          |      |          |      |          |      |          |      |          |      |          |      |          |      |          |      |          |      |          |      |          |      |          |      |          |      |          |      |          |      |         |      |          |      |         |      |          |      |          |      |          |      |          |      |          |      |          |      |          |      |          |      |         |      |          |      |         |     |          |      |          |     |          |      |          |     |          |   |          |   |         |   |          |   |         |   |      |   |         |   |      |   |  |   |      |   |  |  |  |   |
| 0.30          | 6982       | 4567     | 1.06                   | 0.40        | 5262    | 3442          | 1.40       | 0.46     | 4643                   | 3037        | 1.59    | 0.50     | 4213  | 2756     | 1.75 | 0.59     | 3621  | 2369     | 2.0  | 0.67     | 3161  | 2068     | 2.3  | 0.87     | 2441  | 1597     | 3.0  | 0.99     | 2142  | 1401     | 3.4  | 3.0      | 744   | 281.71   | 1.9  | 3.2      | 694   | 262.93   | 2.0  | 3.8      | 596   | 225.79   | 2.4  | 4.3      | 524   | 198.31   | 2.7  | 4.5      | 497   | 188.40   | 2.8  | 0.47     | 4508  | 2949     | 0.90 | 0.54     | 3959  | 2590     | 1.02 | 0.61     | 3466  | 2267     | 1.17 | 0.63     | 3362  | 2199     | 1.20 | 0.80     | 2658  | 1739     | 1.52 | 0.90     | 2357  | 1542     | 1.71 | 1.0      | 2032  | 1329     | 2.0  | 1.2      | 1807  | 1182     | 2.2  | 1.3      | 1578  | 1032     | 2.6  | F 127R77 |       |          |      |          | 4     | F 107R77 |      |          |       |          | 4    | F 97R57  |       |          |      |          | 4     | F 77     |      |          |       |          | 6    |          |       |          |      |          |       |          |      |          |       |          |      |          |       |          |      |          |       |          |      |          |       |          |      |          |       |          |      |          |       |          |      |          |       |          |      |          |       |          |      |          |       |          |      |          |       |          |      |          |       |          |      |          |       |          |      |          |       |          |      |          |       |          |      |          |       |          |      |          |       |          |      |          |       |          |      |          |       |          |      |          |       |          |      |          |       |          |      |          |       |          |      |          |       |          |      |          |       |          |      |          |       |          |      |          |       |          |      |          |       |          |      |          |       |          |      |          |       |          |      |          |       |          |      |          |       |          |      |          |       |          |      |          |       |          |      |          |       |          |      |          |       |          |      |          |       |          |      |          |       |          |      |          |       |          |      |          |       |          |      |          |       |          |      |          |       |          |      |          |       |          |      |          |       |          |      |          |       |          |      |          |       |          |      |          |       |          |      |          |       |          |      |          |       |          |      |          |       |          |      |          |       |          |       |          |       |          |       |          |      |          |       |          |      |          |       |          |      |          |       |          |      |          |       |          |       |          |       |          |       |          |      |          |       |          |      |          |       |          |      |          |       |          |      |          |       |          |      |          |      |          |      |          |      |          |      |          |      |          |      |          |      |          |      |          |      |          |      |          |      |          |      |          |      |          |      |          |      |          |      |          |      |          |      |          |      |          |      |          |      |          |      |          |      |          |      |          |      |          |      |          |      |          |      |          |      |          |      |          |      |          |      |          |      |          |      |          |      |          |      |         |      |          |      |         |      |          |      |          |      |          |      |          |      |          |      |          |      |          |      |          |      |         |      |          |      |         |     |          |      |          |     |          |      |          |     |          |   |          |   |         |   |          |   |         |   |      |   |         |   |      |   |  |   |      |   |  |  |  |   |
| 0.40          | 5262       | 3442     | 1.40                   | 0.46        | 4643    | 3037          | 1.59       | 0.50     | 4213                   | 2756        | 1.75    | 0.59     | 3621  | 2369     | 2.0  | 0.67     | 3161  | 2068     | 2.3  | 0.87     | 2441  | 1597     | 3.0  | 0.99     | 2142  | 1401     | 3.4  | 3.0      | 744   | 281.71   | 1.9  | 3.2      | 694   | 262.93   | 2.0  | 3.8      | 596   | 225.79   | 2.4  | 4.3      | 524   | 198.31   | 2.7  | 4.5      | 497   | 188.40   | 2.8  | 0.47     | 4508  | 2949     | 0.90 | 0.54     | 3959  | 2590     | 1.02 | 0.61     | 3466  | 2267     | 1.17 | 0.63     | 3362  | 2199     | 1.20 | 0.80     | 2658  | 1739     | 1.52 | 0.90     | 2357  | 1542     | 1.71 | 1.0      | 2032  | 1329     | 2.0  | 1.2      | 1807  | 1182     | 2.2  | 1.3      | 1578  | 1032     | 2.6  | F 127R77 |       |          |      |          | 4     | F 107R77 |      |          |       |          | 4    | F 97R57  |       |          |      |          | 4     | F 77     |      |          |       |          | 6    |          |       |          |      |          |       |          |      |          |       |          |      |          |       |          |      |          |       |          |      |          |       |          |      |          |       |          |      |          |       |          |      |          |       |          |      |          |       |          |      |          |       |          |      |          |       |          |      |          |       |          |      |          |       |          |      |          |       |          |      |          |       |          |      |          |       |          |      |          |       |          |      |          |       |          |      |          |       |          |      |          |       |          |      |          |       |          |      |          |       |          |      |          |       |          |      |          |       |          |      |          |       |          |      |          |       |          |      |          |       |          |      |          |       |          |      |          |       |          |      |          |       |          |      |          |       |          |      |          |       |          |      |          |       |          |      |          |       |          |      |          |       |          |      |          |       |          |      |          |       |          |      |          |       |          |      |          |       |          |      |          |       |          |      |          |       |          |      |          |       |          |      |          |       |          |      |          |       |          |      |          |       |          |      |          |       |          |      |          |       |          |      |          |       |          |      |          |       |          |      |          |       |          |      |          |       |          |       |          |       |          |       |          |      |          |       |          |      |          |       |          |      |          |       |          |      |          |       |          |       |          |       |          |       |          |      |          |       |          |      |          |       |          |      |          |       |          |      |          |       |          |      |          |      |          |      |          |      |          |      |          |      |          |      |          |      |          |      |          |      |          |      |          |      |          |      |          |      |          |      |          |      |          |      |          |      |          |      |          |      |          |      |          |      |          |      |          |      |          |      |          |      |          |      |          |      |          |      |          |      |          |      |          |      |          |      |          |      |          |      |          |      |          |      |         |      |          |      |         |      |          |      |          |      |          |      |          |      |          |      |          |      |          |      |          |      |         |      |          |      |         |     |          |      |          |     |          |      |          |     |          |   |          |   |         |   |          |   |         |   |      |   |         |   |      |   |  |   |      |   |  |  |  |   |
| 0.46          | 4643       | 3037     | 1.59                   | 0.50        | 4213    | 2756          | 1.75       | 0.59     | 3621                   | 2369        | 2.0     | 0.67     | 3161  | 2068     | 2.3  | 0.87     | 2441  | 1597     | 3.0  | 0.99     | 2142  | 1401     | 3.4  | 3.0      | 744   | 281.71   | 1.9  | 3.2      | 694   | 262.93   | 2.0  | 3.8      | 596   | 225.79   | 2.4  | 4.3      | 524   | 198.31   | 2.7  | 4.5      | 497   | 188.40   | 2.8  | 0.47     | 4508  | 2949     | 0.90 | 0.54     | 3959  | 2590     | 1.02 | 0.61     | 3466  | 2267     | 1.17 | 0.63     | 3362  | 2199     | 1.20 | 0.80     | 2658  | 1739     | 1.52 | 0.90     | 2357  | 1542     | 1.71 | 1.0      | 2032  | 1329     | 2.0  | 1.2      | 1807  | 1182     | 2.2  | 1.3      | 1578  | 1032     | 2.6  | F 127R77 |       |          |      |          | 4     | F 107R77 |      |          |       |          | 4    | F 97R57  |       |          |      |          | 4     | F 77     |      |          |       |          | 6    |          |       |          |      |          |       |          |      |          |       |          |      |          |       |          |      |          |       |          |      |          |       |          |      |          |       |          |      |          |       |          |      |          |       |          |      |          |       |          |      |          |       |          |      |          |       |          |      |          |       |          |      |          |       |          |      |          |       |          |      |          |       |          |      |          |       |          |      |          |       |          |      |          |       |          |      |          |       |          |      |          |       |          |      |          |       |          |      |          |       |          |      |          |       |          |      |          |       |          |      |          |       |          |      |          |       |          |      |          |       |          |      |          |       |          |      |          |       |          |      |          |       |          |      |          |       |          |      |          |       |          |      |          |       |          |      |          |       |          |      |          |       |          |      |          |       |          |      |          |       |          |      |          |       |          |      |          |       |          |      |          |       |          |      |          |       |          |      |          |       |          |      |          |       |          |      |          |       |          |      |          |       |          |      |          |       |          |      |          |       |          |      |          |       |          |      |          |       |          |      |          |       |          |      |          |       |          |      |          |       |          |       |          |       |          |       |          |      |          |       |          |      |          |       |          |      |          |       |          |      |          |       |          |       |          |       |          |       |          |      |          |       |          |      |          |       |          |      |          |       |          |      |          |       |          |      |          |      |          |      |          |      |          |      |          |      |          |      |          |      |          |      |          |      |          |      |          |      |          |      |          |      |          |      |          |      |          |      |          |      |          |      |          |      |          |      |          |      |          |      |          |      |          |      |          |      |          |      |          |      |          |      |          |      |          |      |          |      |          |      |          |      |          |      |          |      |          |      |         |      |          |      |         |      |          |      |          |      |          |      |          |      |          |      |          |      |          |      |          |      |         |      |          |      |         |     |          |      |          |     |          |      |          |     |          |   |          |   |         |   |          |   |         |   |      |   |         |   |      |   |  |   |      |   |  |  |  |   |
| 0.50          | 4213       | 2756     | 1.75                   | 0.59        | 3621    | 2369          | 2.0        | 0.67     | 3161                   | 2068        | 2.3     | 0.87     | 2441  | 1597     | 3.0  | 0.99     | 2142  | 1401     | 3.4  | 3.0      | 744   | 281.71   | 1.9  | 3.2      | 694   | 262.93   | 2.0  | 3.8      | 596   | 225.79   | 2.4  | 4.3      | 524   | 198.31   | 2.7  | 4.5      | 497   | 188.40   | 2.8  | 0.47     | 4508  | 2949     | 0.90 | 0.54     | 3959  | 2590     | 1.02 | 0.61     | 3466  | 2267     | 1.17 | 0.63     | 3362  | 2199     | 1.20 | 0.80     | 2658  | 1739     | 1.52 | 0.90     | 2357  | 1542     | 1.71 | 1.0      | 2032  | 1329     | 2.0  | 1.2      | 1807  | 1182     | 2.2  | 1.3      | 1578  | 1032     | 2.6  | F 127R77 |       |          |      |          | 4     | F 107R77 |      |          |       |          | 4    | F 97R57  |       |          |      |          | 4     | F 77     |      |          |       |          | 6    |          |       |          |      |          |       |          |      |          |       |          |      |          |       |          |      |          |       |          |      |          |       |          |      |          |       |          |      |          |       |          |      |          |       |          |      |          |       |          |      |          |       |          |      |          |       |          |      |          |       |          |      |          |       |          |      |          |       |          |      |          |       |          |      |          |       |          |      |          |       |          |      |          |       |          |      |          |       |          |      |          |       |          |      |          |       |          |      |          |       |          |      |          |       |          |      |          |       |          |      |          |       |          |      |          |       |          |      |          |       |          |      |          |       |          |      |          |       |          |      |          |       |          |      |          |       |          |      |          |       |          |      |          |       |          |      |          |       |          |      |          |       |          |      |          |       |          |      |          |       |          |      |          |       |          |      |          |       |          |      |          |       |          |      |          |       |          |      |          |       |          |      |          |       |          |      |          |       |          |      |          |       |          |      |          |       |          |      |          |       |          |      |          |       |          |      |          |       |          |      |          |       |          |      |          |       |          |      |          |       |          |      |          |       |          |       |          |       |          |       |          |      |          |       |          |      |          |       |          |      |          |       |          |      |          |       |          |       |          |       |          |       |          |      |          |       |          |      |          |       |          |      |          |       |          |      |          |       |          |      |          |      |          |      |          |      |          |      |          |      |          |      |          |      |          |      |          |      |          |      |          |      |          |      |          |      |          |      |          |      |          |      |          |      |          |      |          |      |          |      |          |      |          |      |          |      |          |      |          |      |          |      |          |      |          |      |          |      |          |      |          |      |          |      |          |      |          |      |          |      |          |      |         |      |          |      |         |      |          |      |          |      |          |      |          |      |          |      |          |      |          |      |          |      |         |      |          |      |         |     |          |      |          |     |          |      |          |     |          |   |          |   |         |   |          |   |         |   |      |   |         |   |      |   |  |   |      |   |  |  |  |   |
| 0.59          | 3621       | 2369     | 2.0                    | 0.67        | 3161    | 2068          | 2.3        | 0.87     | 2441                   | 1597        | 3.0     | 0.99     | 2142  | 1401     | 3.4  | 3.0      | 744   | 281.71   | 1.9  | 3.2      | 694   | 262.93   | 2.0  | 3.8      | 596   | 225.79   | 2.4  | 4.3      | 524   | 198.31   | 2.7  | 4.5      | 497   | 188.40   | 2.8  | 0.47     | 4508  | 2949     | 0.90 | 0.54     | 3959  | 2590     | 1.02 | 0.61     | 3466  | 2267     | 1.17 | 0.63     | 3362  | 2199     | 1.20 | 0.80     | 2658  | 1739     | 1.52 | 0.90     | 2357  | 1542     | 1.71 | 1.0      | 2032  | 1329     | 2.0  | 1.2      | 1807  | 1182     | 2.2  | 1.3      | 1578  | 1032     | 2.6  | F 127R77 |       |          |      |          | 4     | F 107R77 |      |          |       |          | 4    | F 97R57  |       |          |      |          | 4     | F 77     |      |          |       |          | 6    |          |       |          |      |          |       |          |      |          |       |          |      |          |       |          |      |          |       |          |      |          |       |          |      |          |       |          |      |          |       |          |      |          |       |          |      |          |       |          |      |          |       |          |      |          |       |          |      |          |       |          |      |          |       |          |      |          |       |          |      |          |       |          |      |          |       |          |      |          |       |          |      |          |       |          |      |          |       |          |      |          |       |          |      |          |       |          |      |          |       |          |      |          |       |          |      |          |       |          |      |          |       |          |      |          |       |          |      |          |       |          |      |          |       |          |      |          |       |          |      |          |       |          |      |          |       |          |      |          |       |          |      |          |       |          |      |          |       |          |      |          |       |          |      |          |       |          |      |          |       |          |      |          |       |          |      |          |       |          |      |          |       |          |      |          |       |          |      |          |       |          |      |          |       |          |      |          |       |          |      |          |       |          |      |          |       |          |      |          |       |          |      |          |       |          |      |          |       |          |      |          |       |          |      |          |       |          |      |          |       |          |      |          |       |          |      |          |       |          |       |          |       |          |       |          |      |          |       |          |      |          |       |          |      |          |       |          |      |          |       |          |       |          |       |          |       |          |      |          |       |          |      |          |       |          |      |          |       |          |      |          |       |          |      |          |      |          |      |          |      |          |      |          |      |          |      |          |      |          |      |          |      |          |      |          |      |          |      |          |      |          |      |          |      |          |      |          |      |          |      |          |      |          |      |          |      |          |      |          |      |          |      |          |      |          |      |          |      |          |      |          |      |          |      |          |      |          |      |          |      |          |      |          |      |          |      |         |      |          |      |         |      |          |      |          |      |          |      |          |      |          |      |          |      |          |      |          |      |         |      |          |      |         |     |          |      |          |     |          |      |          |     |          |   |          |   |         |   |          |   |         |   |      |   |         |   |      |   |  |   |      |   |  |  |  |   |
| 0.67          | 3161       | 2068     | 2.3                    | 0.87        | 2441    | 1597          | 3.0        | 0.99     | 2142                   | 1401        | 3.4     | 3.0      | 744   | 281.71   | 1.9  | 3.2      | 694   | 262.93   | 2.0  | 3.8      | 596   | 225.79   | 2.4  | 4.3      | 524   | 198.31   | 2.7  | 4.5      | 497   | 188.40   | 2.8  | 0.47     | 4508  | 2949     | 0.90 | 0.54     | 3959  | 2590     | 1.02 | 0.61     | 3466  | 2267     | 1.17 | 0.63     | 3362  | 2199     | 1.20 | 0.80     | 2658  | 1739     | 1.52 | 0.90     | 2357  | 1542     | 1.71 | 1.0      | 2032  | 1329     | 2.0  | 1.2      | 1807  | 1182     | 2.2  | 1.3      | 1578  | 1032     | 2.6  | F 127R77 |       |          |      |          | 4     | F 107R77 |      |          |       |          | 4    | F 97R57  |       |          |      |          | 4     | F 77     |      |          |       |          | 6    |          |       |          |      |          |       |          |      |          |       |          |      |          |       |          |      |          |       |          |      |          |       |          |      |          |       |          |      |          |       |          |      |          |       |          |      |          |       |          |      |          |       |          |      |          |       |          |      |          |       |          |      |          |       |          |      |          |       |          |      |          |       |          |      |          |       |          |      |          |       |          |      |          |       |          |      |          |       |          |      |          |       |          |      |          |       |          |      |          |       |          |      |          |       |          |      |          |       |          |      |          |       |          |      |          |       |          |      |          |       |          |      |          |       |          |      |          |       |          |      |          |       |          |      |          |       |          |      |          |       |          |      |          |       |          |      |          |       |          |      |          |       |          |      |          |       |          |      |          |       |          |      |          |       |          |      |          |       |          |      |          |       |          |      |          |       |          |      |          |       |          |      |          |       |          |      |          |       |          |      |          |       |          |      |          |       |          |      |          |       |          |      |          |       |          |      |          |       |          |      |          |       |          |      |          |       |          |      |          |       |          |      |          |       |          |      |          |       |          |      |          |       |          |       |          |       |          |       |          |      |          |       |          |      |          |       |          |      |          |       |          |      |          |       |          |       |          |       |          |       |          |      |          |       |          |      |          |       |          |      |          |       |          |      |          |       |          |      |          |      |          |      |          |      |          |      |          |      |          |      |          |      |          |      |          |      |          |      |          |      |          |      |          |      |          |      |          |      |          |      |          |      |          |      |          |      |          |      |          |      |          |      |          |      |          |      |          |      |          |      |          |      |          |      |          |      |          |      |          |      |          |      |          |      |          |      |          |      |          |      |         |      |          |      |         |      |          |      |          |      |          |      |          |      |          |      |          |      |          |      |          |      |         |      |          |      |         |     |          |      |          |     |          |      |          |     |          |   |          |   |         |   |          |   |         |   |      |   |         |   |      |   |  |   |      |   |  |  |  |   |
| 0.87          | 2441       | 1597     | 3.0                    | 0.99        | 2142    | 1401          | 3.4        | 3.0      | 744                    | 281.71      | 1.9     | 3.2      | 694   | 262.93   | 2.0  | 3.8      | 596   | 225.79   | 2.4  | 4.3      | 524   | 198.31   | 2.7  | 4.5      | 497   | 188.40   | 2.8  | 0.47     | 4508  | 2949     | 0.90 | 0.54     | 3959  | 2590     | 1.02 | 0.61     | 3466  | 2267     | 1.17 | 0.63     | 3362  | 2199     | 1.20 | 0.80     | 2658  | 1739     | 1.52 | 0.90     | 2357  | 1542     | 1.71 | 1.0      | 2032  | 1329     | 2.0  | 1.2      | 1807  | 1182     | 2.2  | 1.3      | 1578  | 1032     | 2.6  | F 127R77 |       |          |      |          | 4     | F 107R77 |      |          |       |          | 4    | F 97R57  |       |          |      |          | 4     | F 77     |      |          |       |          | 6    |          |       |          |      |          |       |          |      |          |       |          |      |          |       |          |      |          |       |          |      |          |       |          |      |          |       |          |      |          |       |          |      |          |       |          |      |          |       |          |      |          |       |          |      |          |       |          |      |          |       |          |      |          |       |          |      |          |       |          |      |          |       |          |      |          |       |          |      |          |       |          |      |          |       |          |      |          |       |          |      |          |       |          |      |          |       |          |      |          |       |          |      |          |       |          |      |          |       |          |      |          |       |          |      |          |       |          |      |          |       |          |      |          |       |          |      |          |       |          |      |          |       |          |      |          |       |          |      |          |       |          |      |          |       |          |      |          |       |          |      |          |       |          |      |          |       |          |      |          |       |          |      |          |       |          |      |          |       |          |      |          |       |          |      |          |       |          |      |          |       |          |      |          |       |          |      |          |       |          |      |          |       |          |      |          |       |          |      |          |       |          |      |          |       |          |      |          |       |          |      |          |       |          |      |          |       |          |      |          |       |          |      |          |       |          |      |          |       |          |      |          |       |          |      |          |       |          |       |          |       |          |       |          |      |          |       |          |      |          |       |          |      |          |       |          |      |          |       |          |       |          |       |          |       |          |      |          |       |          |      |          |       |          |      |          |       |          |      |          |       |          |      |          |      |          |      |          |      |          |      |          |      |          |      |          |      |          |      |          |      |          |      |          |      |          |      |          |      |          |      |          |      |          |      |          |      |          |      |          |      |          |      |          |      |          |      |          |      |          |      |          |      |          |      |          |      |          |      |          |      |          |      |          |      |          |      |          |      |          |      |          |      |          |      |         |      |          |      |         |      |          |      |          |      |          |      |          |      |          |      |          |      |          |      |          |      |         |      |          |      |         |     |          |      |          |     |          |      |          |     |          |   |          |   |         |   |          |   |         |   |      |   |         |   |      |   |  |   |      |   |  |  |  |   |
| 0.99          | 2142       | 1401     | 3.4                    | 3.0         | 744     | 281.71        | 1.9        | 3.2      | 694                    | 262.93      | 2.0     | 3.8      | 596   | 225.79   | 2.4  | 4.3      | 524   | 198.31   | 2.7  | 4.5      | 497   | 188.40   | 2.8  | 0.47     | 4508  | 2949     | 0.90 | 0.54     | 3959  | 2590     | 1.02 | 0.61     | 3466  | 2267     | 1.17 | 0.63     | 3362  | 2199     | 1.20 | 0.80     | 2658  | 1739     | 1.52 | 0.90     | 2357  | 1542     | 1.71 | 1.0      | 2032  | 1329     | 2.0  | 1.2      | 1807  | 1182     | 2.2  | 1.3      | 1578  | 1032     | 2.6  | F 127R77 |       |          |      |          | 4     | F 107R77 |      |          |       |          | 4    | F 97R57  |       |          |      |          | 4     | F 77     |      |          |       |          | 6    |          |       |          |      |          |       |          |      |          |       |          |      |          |       |          |      |          |       |          |      |          |       |          |      |          |       |          |      |          |       |          |      |          |       |          |      |          |       |          |      |          |       |          |      |          |       |          |      |          |       |          |      |          |       |          |      |          |       |          |      |          |       |          |      |          |       |          |      |          |       |          |      |          |       |          |      |          |       |          |      |          |       |          |      |          |       |          |      |          |       |          |      |          |       |          |      |          |       |          |      |          |       |          |      |          |       |          |      |          |       |          |      |          |       |          |      |          |       |          |      |          |       |          |      |          |       |          |      |          |       |          |      |          |       |          |      |          |       |          |      |          |       |          |      |          |       |          |      |          |       |          |      |          |       |          |      |          |       |          |      |          |       |          |      |          |       |          |      |          |       |          |      |          |       |          |      |          |       |          |      |          |       |          |      |          |       |          |      |          |       |          |      |          |       |          |      |          |       |          |      |          |       |          |      |          |       |          |      |          |       |          |      |          |       |          |      |          |       |          |      |          |       |          |      |          |       |          |      |          |       |          |       |          |       |          |       |          |      |          |       |          |      |          |       |          |      |          |       |          |      |          |       |          |       |          |       |          |       |          |      |          |       |          |      |          |       |          |      |          |       |          |      |          |       |          |      |          |      |          |      |          |      |          |      |          |      |          |      |          |      |          |      |          |      |          |      |          |      |          |      |          |      |          |      |          |      |          |      |          |      |          |      |          |      |          |      |          |      |          |      |          |      |          |      |          |      |          |      |          |      |          |      |          |      |          |      |          |      |          |      |          |      |          |      |          |      |          |      |         |      |          |      |         |      |          |      |          |      |          |      |          |      |          |      |          |      |          |      |          |      |         |      |          |      |         |     |          |      |          |     |          |      |          |     |          |   |          |   |         |   |          |   |         |   |      |   |         |   |      |   |  |   |      |   |  |  |  |   |
| 3.0           | 744        | 281.71   | 1.9                    | 3.2         | 694     | 262.93        | 2.0        | 3.8      | 596                    | 225.79      | 2.4     | 4.3      | 524   | 198.31   | 2.7  | 4.5      | 497   | 188.40   | 2.8  | 0.47     | 4508  | 2949     | 0.90 | 0.54     | 3959  | 2590     | 1.02 | 0.61     | 3466  | 2267     | 1.17 | 0.63     | 3362  | 2199     | 1.20 | 0.80     | 2658  | 1739     | 1.52 | 0.90     | 2357  | 1542     | 1.71 | 1.0      | 2032  | 1329     | 2.0  | 1.2      | 1807  | 1182     | 2.2  | 1.3      | 1578  | 1032     | 2.6  | F 127R77 |       |          |      |          | 4     | F 107R77 |      |          |       |          | 4    | F 97R57  |       |          |      |          | 4     | F 77     |      |          |       |          | 6    |          |       |          |      |          |       |          |      |          |       |          |      |          |       |          |      |          |       |          |      |          |       |          |      |          |       |          |      |          |       |          |      |          |       |          |      |          |       |          |      |          |       |          |      |          |       |          |      |          |       |          |      |          |       |          |      |          |       |          |      |          |       |          |      |          |       |          |      |          |       |          |      |          |       |          |      |          |       |          |      |          |       |          |      |          |       |          |      |          |       |          |      |          |       |          |      |          |       |          |      |          |       |          |      |          |       |          |      |          |       |          |      |          |       |          |      |          |       |          |      |          |       |          |      |          |       |          |      |          |       |          |      |          |       |          |      |          |       |          |      |          |       |          |      |          |       |          |      |          |       |          |      |          |       |          |      |          |       |          |      |          |       |          |      |          |       |          |      |          |       |          |      |          |       |          |      |          |       |          |      |          |       |          |      |          |       |          |      |          |       |          |      |          |       |          |      |          |       |          |      |          |       |          |      |          |       |          |      |          |       |          |      |          |       |          |      |          |       |          |      |          |       |          |      |          |       |          |      |          |       |          |      |          |       |          |       |          |       |          |       |          |      |          |       |          |      |          |       |          |      |          |       |          |      |          |       |          |       |          |       |          |       |          |      |          |       |          |      |          |       |          |      |          |       |          |      |          |       |          |      |          |      |          |      |          |      |          |      |          |      |          |      |          |      |          |      |          |      |          |      |          |      |          |      |          |      |          |      |          |      |          |      |          |      |          |      |          |      |          |      |          |      |          |      |          |      |          |      |          |      |          |      |          |      |          |      |          |      |          |      |          |      |          |      |          |      |          |      |          |      |          |      |         |      |          |      |         |      |          |      |          |      |          |      |          |      |          |      |          |      |          |      |          |      |         |      |          |      |         |     |          |      |          |     |          |      |          |     |          |   |          |   |         |   |          |   |         |   |      |   |         |   |      |   |  |   |      |   |  |  |  |   |
| 3.2           | 694        | 262.93   | 2.0                    | 3.8         | 596     | 225.79        | 2.4        | 4.3      | 524                    | 198.31      | 2.7     | 4.5      | 497   | 188.40   | 2.8  | 0.47     | 4508  | 2949     | 0.90 | 0.54     | 3959  | 2590     | 1.02 | 0.61     | 3466  | 2267     | 1.17 | 0.63     | 3362  | 2199     | 1.20 | 0.80     | 2658  | 1739     | 1.52 | 0.90     | 2357  | 1542     | 1.71 | 1.0      | 2032  | 1329     | 2.0  | 1.2      | 1807  | 1182     | 2.2  | 1.3      | 1578  | 1032     | 2.6  | F 127R77 |       |          |      |          | 4     | F 107R77 |      |          |       |          | 4    | F 97R57  |       |          |      |          | 4     | F 77     |      |          |       |          | 6    |          |       |          |      |          |       |          |      |          |       |          |      |          |       |          |      |          |       |          |      |          |       |          |      |          |       |          |      |          |       |          |      |          |       |          |      |          |       |          |      |          |       |          |      |          |       |          |      |          |       |          |      |          |       |          |      |          |       |          |      |          |       |          |      |          |       |          |      |          |       |          |      |          |       |          |      |          |       |          |      |          |       |          |      |          |       |          |      |          |       |          |      |          |       |          |      |          |       |          |      |          |       |          |      |          |       |          |      |          |       |          |      |          |       |          |      |          |       |          |      |          |       |          |      |          |       |          |      |          |       |          |      |          |       |          |      |          |       |          |      |          |       |          |      |          |       |          |      |          |       |          |      |          |       |          |      |          |       |          |      |          |       |          |      |          |       |          |      |          |       |          |      |          |       |          |      |          |       |          |      |          |       |          |      |          |       |          |      |          |       |          |      |          |       |          |      |          |       |          |      |          |       |          |      |          |       |          |      |          |       |          |      |          |       |          |      |          |       |          |      |          |       |          |      |          |       |          |      |          |       |          |      |          |       |          |      |          |       |          |       |          |       |          |       |          |      |          |       |          |      |          |       |          |      |          |       |          |      |          |       |          |       |          |       |          |       |          |      |          |       |          |      |          |       |          |      |          |       |          |      |          |       |          |      |          |      |          |      |          |      |          |      |          |      |          |      |          |      |          |      |          |      |          |      |          |      |          |      |          |      |          |      |          |      |          |      |          |      |          |      |          |      |          |      |          |      |          |      |          |      |          |      |          |      |          |      |          |      |          |      |          |      |          |      |          |      |          |      |          |      |          |      |          |      |          |      |         |      |          |      |         |      |          |      |          |      |          |      |          |      |          |      |          |      |          |      |          |      |         |      |          |      |         |     |          |      |          |     |          |      |          |     |          |   |          |   |         |   |          |   |         |   |      |   |         |   |      |   |  |   |      |   |  |  |  |   |
| 3.8           | 596        | 225.79   | 2.4                    | 4.3         | 524     | 198.31        | 2.7        | 4.5      | 497                    | 188.40      | 2.8     | 0.47     | 4508  | 2949     | 0.90 | 0.54     | 3959  | 2590     | 1.02 | 0.61     | 3466  | 2267     | 1.17 | 0.63     | 3362  | 2199     | 1.20 | 0.80     | 2658  | 1739     | 1.52 | 0.90     | 2357  | 1542     | 1.71 | 1.0      | 2032  | 1329     | 2.0  | 1.2      | 1807  | 1182     | 2.2  | 1.3      | 1578  | 1032     | 2.6  | F 127R77 |       |          |      |          | 4     | F 107R77 |      |          |       |          | 4    | F 97R57  |       |          |      |          | 4     | F 77     |      |          |       |          | 6    |          |       |          |      |          |       |          |      |          |       |          |      |          |       |          |      |          |       |          |      |          |       |          |      |          |       |          |      |          |       |          |      |          |       |          |      |          |       |          |      |          |       |          |      |          |       |          |      |          |       |          |      |          |       |          |      |          |       |          |      |          |       |          |      |          |       |          |      |          |       |          |      |          |       |          |      |          |       |          |      |          |       |          |      |          |       |          |      |          |       |          |      |          |       |          |      |          |       |          |      |          |       |          |      |          |       |          |      |          |       |          |      |          |       |          |      |          |       |          |      |          |       |          |      |          |       |          |      |          |       |          |      |          |       |          |      |          |       |          |      |          |       |          |      |          |       |          |      |          |       |          |      |          |       |          |      |          |       |          |      |          |       |          |      |          |       |          |      |          |       |          |      |          |       |          |      |          |       |          |      |          |       |          |      |          |       |          |      |          |       |          |      |          |       |          |      |          |       |          |      |          |       |          |      |          |       |          |      |          |       |          |      |          |       |          |      |          |       |          |      |          |       |          |      |          |       |          |      |          |       |          |      |          |       |          |      |          |       |          |      |          |       |          |       |          |       |          |       |          |      |          |       |          |      |          |       |          |      |          |       |          |      |          |       |          |       |          |       |          |       |          |      |          |       |          |      |          |       |          |      |          |       |          |      |          |       |          |      |          |      |          |      |          |      |          |      |          |      |          |      |          |      |          |      |          |      |          |      |          |      |          |      |          |      |          |      |          |      |          |      |          |      |          |      |          |      |          |      |          |      |          |      |          |      |          |      |          |      |          |      |          |      |          |      |          |      |          |      |          |      |          |      |          |      |          |      |          |      |          |      |         |      |          |      |         |      |          |      |          |      |          |      |          |      |          |      |          |      |          |      |          |      |         |      |          |      |         |     |          |      |          |     |          |      |          |     |          |   |          |   |         |   |          |   |         |   |      |   |         |   |      |   |  |   |      |   |  |  |  |   |
| 4.3           | 524        | 198.31   | 2.7                    | 4.5         | 497     | 188.40        | 2.8        | 0.47     | 4508                   | 2949        | 0.90    | 0.54     | 3959  | 2590     | 1.02 | 0.61     | 3466  | 2267     | 1.17 | 0.63     | 3362  | 2199     | 1.20 | 0.80     | 2658  | 1739     | 1.52 | 0.90     | 2357  | 1542     | 1.71 | 1.0      | 2032  | 1329     | 2.0  | 1.2      | 1807  | 1182     | 2.2  | 1.3      | 1578  | 1032     | 2.6  | F 127R77 |       |          |      |          | 4     | F 107R77 |      |          |       |          | 4    | F 97R57  |       |          |      |          | 4     | F 77     |      |          |       |          | 6    |          |       |          |      |          |       |          |      |          |       |          |      |          |       |          |      |          |       |          |      |          |       |          |      |          |       |          |      |          |       |          |      |          |       |          |      |          |       |          |      |          |       |          |      |          |       |          |      |          |       |          |      |          |       |          |      |          |       |          |      |          |       |          |      |          |       |          |      |          |       |          |      |          |       |          |      |          |       |          |      |          |       |          |      |          |       |          |      |          |       |          |      |          |       |          |      |          |       |          |      |          |       |          |      |          |       |          |      |          |       |          |      |          |       |          |      |          |       |          |      |          |       |          |      |          |       |          |      |          |       |          |      |          |       |          |      |          |       |          |      |          |       |          |      |          |       |          |      |          |       |          |      |          |       |          |      |          |       |          |      |          |       |          |      |          |       |          |      |          |       |          |      |          |       |          |      |          |       |          |      |          |       |          |      |          |       |          |      |          |       |          |      |          |       |          |      |          |       |          |      |          |       |          |      |          |       |          |      |          |       |          |      |          |       |          |      |          |       |          |      |          |       |          |      |          |       |          |      |          |       |          |      |          |       |          |      |          |       |          |      |          |       |          |      |          |       |          |       |          |       |          |       |          |      |          |       |          |      |          |       |          |      |          |       |          |      |          |       |          |       |          |       |          |       |          |      |          |       |          |      |          |       |          |      |          |       |          |      |          |       |          |      |          |      |          |      |          |      |          |      |          |      |          |      |          |      |          |      |          |      |          |      |          |      |          |      |          |      |          |      |          |      |          |      |          |      |          |      |          |      |          |      |          |      |          |      |          |      |          |      |          |      |          |      |          |      |          |      |          |      |          |      |          |      |          |      |          |      |          |      |          |      |          |      |         |      |          |      |         |      |          |      |          |      |          |      |          |      |          |      |          |      |          |      |          |      |         |      |          |      |         |     |          |      |          |     |          |      |          |     |          |   |          |   |         |   |          |   |         |   |      |   |         |   |      |   |  |   |      |   |  |  |  |   |
| 4.5           | 497        | 188.40   | 2.8                    | 0.47        | 4508    | 2949          | 0.90       | 0.54     | 3959                   | 2590        | 1.02    | 0.61     | 3466  | 2267     | 1.17 | 0.63     | 3362  | 2199     | 1.20 | 0.80     | 2658  | 1739     | 1.52 | 0.90     | 2357  | 1542     | 1.71 | 1.0      | 2032  | 1329     | 2.0  | 1.2      | 1807  | 1182     | 2.2  | 1.3      | 1578  | 1032     | 2.6  | F 127R77 |       |          |      |          | 4     | F 107R77 |      |          |       |          | 4    | F 97R57  |       |          |      |          | 4     | F 77     |      |          |       |          | 6    |          |       |          |      |          |       |          |      |          |       |          |      |          |       |          |      |          |       |          |      |          |       |          |      |          |       |          |      |          |       |          |      |          |       |          |      |          |       |          |      |          |       |          |      |          |       |          |      |          |       |          |      |          |       |          |      |          |       |          |      |          |       |          |      |          |       |          |      |          |       |          |      |          |       |          |      |          |       |          |      |          |       |          |      |          |       |          |      |          |       |          |      |          |       |          |      |          |       |          |      |          |       |          |      |          |       |          |      |          |       |          |      |          |       |          |      |          |       |          |      |          |       |          |      |          |       |          |      |          |       |          |      |          |       |          |      |          |       |          |      |          |       |          |      |          |       |          |      |          |       |          |      |          |       |          |      |          |       |          |      |          |       |          |      |          |       |          |      |          |       |          |      |          |       |          |      |          |       |          |      |          |       |          |      |          |       |          |      |          |       |          |      |          |       |          |      |          |       |          |      |          |       |          |      |          |       |          |      |          |       |          |      |          |       |          |      |          |       |          |      |          |       |          |      |          |       |          |      |          |       |          |      |          |       |          |      |          |       |          |      |          |       |          |      |          |       |          |      |          |       |          |       |          |       |          |       |          |      |          |       |          |      |          |       |          |      |          |       |          |      |          |       |          |       |          |       |          |       |          |      |          |       |          |      |          |       |          |      |          |       |          |      |          |       |          |      |          |      |          |      |          |      |          |      |          |      |          |      |          |      |          |      |          |      |          |      |          |      |          |      |          |      |          |      |          |      |          |      |          |      |          |      |          |      |          |      |          |      |          |      |          |      |          |      |          |      |          |      |          |      |          |      |          |      |          |      |          |      |          |      |          |      |          |      |          |      |          |      |         |      |          |      |         |      |          |      |          |      |          |      |          |      |          |      |          |      |          |      |          |      |         |      |          |      |         |     |          |      |          |     |          |      |          |     |          |   |          |   |         |   |          |   |         |   |      |   |         |   |      |   |  |   |      |   |  |  |  |   |
| 0.47          | 4508       | 2949     | 0.90                   | 0.54        | 3959    | 2590          | 1.02       | 0.61     | 3466                   | 2267        | 1.17    | 0.63     | 3362  | 2199     | 1.20 | 0.80     | 2658  | 1739     | 1.52 | 0.90     | 2357  | 1542     | 1.71 | 1.0      | 2032  | 1329     | 2.0  | 1.2      | 1807  | 1182     | 2.2  | 1.3      | 1578  | 1032     | 2.6  | F 127R77 |       |          |      |          | 4     | F 107R77 |      |          |       |          | 4    | F 97R57  |       |          |      |          | 4     | F 77     |      |          |       |          | 6    |          |       |          |      |          |       |          |      |          |       |          |      |          |       |          |      |          |       |          |      |          |       |          |      |          |       |          |      |          |       |          |      |          |       |          |      |          |       |          |      |          |       |          |      |          |       |          |      |          |       |          |      |          |       |          |      |          |       |          |      |          |       |          |      |          |       |          |      |          |       |          |      |          |       |          |      |          |       |          |      |          |       |          |      |          |       |          |      |          |       |          |      |          |       |          |      |          |       |          |      |          |       |          |      |          |       |          |      |          |       |          |      |          |       |          |      |          |       |          |      |          |       |          |      |          |       |          |      |          |       |          |      |          |       |          |      |          |       |          |      |          |       |          |      |          |       |          |      |          |       |          |      |          |       |          |      |          |       |          |      |          |       |          |      |          |       |          |      |          |       |          |      |          |       |          |      |          |       |          |      |          |       |          |      |          |       |          |      |          |       |          |      |          |       |          |      |          |       |          |      |          |       |          |      |          |       |          |      |          |       |          |      |          |       |          |      |          |       |          |      |          |       |          |      |          |       |          |      |          |       |          |      |          |       |          |      |          |       |          |      |          |       |          |      |          |       |          |      |          |       |          |      |          |       |          |       |          |       |          |       |          |      |          |       |          |      |          |       |          |      |          |       |          |      |          |       |          |       |          |       |          |       |          |      |          |       |          |      |          |       |          |      |          |       |          |      |          |       |          |      |          |      |          |      |          |      |          |      |          |      |          |      |          |      |          |      |          |      |          |      |          |      |          |      |          |      |          |      |          |      |          |      |          |      |          |      |          |      |          |      |          |      |          |      |          |      |          |      |          |      |          |      |          |      |          |      |          |      |          |      |          |      |          |      |          |      |          |      |          |      |          |      |         |      |          |      |         |      |          |      |          |      |          |      |          |      |          |      |          |      |          |      |          |      |         |      |          |      |         |     |          |      |          |     |          |      |          |     |          |   |          |   |         |   |          |   |         |   |      |   |         |   |      |   |  |   |      |   |  |  |  |   |
| 0.54          | 3959       | 2590     | 1.02                   | 0.61        | 3466    | 2267          | 1.17       | 0.63     | 3362                   | 2199        | 1.20    | 0.80     | 2658  | 1739     | 1.52 | 0.90     | 2357  | 1542     | 1.71 | 1.0      | 2032  | 1329     | 2.0  | 1.2      | 1807  | 1182     | 2.2  | 1.3      | 1578  | 1032     | 2.6  | F 127R77 |       |          |      |          | 4     | F 107R77 |      |          |       |          | 4    | F 97R57  |       |          |      |          | 4     | F 77     |      |          |       |          | 6    |          |       |          |      |          |       |          |      |          |       |          |      |          |       |          |      |          |       |          |      |          |       |          |      |          |       |          |      |          |       |          |      |          |       |          |      |          |       |          |      |          |       |          |      |          |       |          |      |          |       |          |      |          |       |          |      |          |       |          |      |          |       |          |      |          |       |          |      |          |       |          |      |          |       |          |      |          |       |          |      |          |       |          |      |          |       |          |      |          |       |          |      |          |       |          |      |          |       |          |      |          |       |          |      |          |       |          |      |          |       |          |      |          |       |          |      |          |       |          |      |          |       |          |      |          |       |          |      |          |       |          |      |          |       |          |      |          |       |          |      |          |       |          |      |          |       |          |      |          |       |          |      |          |       |          |      |          |       |          |      |          |       |          |      |          |       |          |      |          |       |          |      |          |       |          |      |          |       |          |      |          |       |          |      |          |       |          |      |          |       |          |      |          |       |          |      |          |       |          |      |          |       |          |      |          |       |          |      |          |       |          |      |          |       |          |      |          |       |          |      |          |       |          |      |          |       |          |      |          |       |          |      |          |       |          |      |          |       |          |      |          |       |          |      |          |       |          |      |          |       |          |      |          |       |          |      |          |       |          |       |          |       |          |       |          |      |          |       |          |      |          |       |          |      |          |       |          |      |          |       |          |       |          |       |          |       |          |      |          |       |          |      |          |       |          |      |          |       |          |      |          |       |          |      |          |      |          |      |          |      |          |      |          |      |          |      |          |      |          |      |          |      |          |      |          |      |          |      |          |      |          |      |          |      |          |      |          |      |          |      |          |      |          |      |          |      |          |      |          |      |          |      |          |      |          |      |          |      |          |      |          |      |          |      |          |      |          |      |          |      |          |      |          |      |          |      |         |      |          |      |         |      |          |      |          |      |          |      |          |      |          |      |          |      |          |      |          |      |         |      |          |      |         |     |          |      |          |     |          |      |          |     |          |   |          |   |         |   |          |   |         |   |      |   |         |   |      |   |  |   |      |   |  |  |  |   |
| 0.61          | 3466       | 2267     | 1.17                   | 0.63        | 3362    | 2199          | 1.20       | 0.80     | 2658                   | 1739        | 1.52    | 0.90     | 2357  | 1542     | 1.71 | 1.0      | 2032  | 1329     | 2.0  | 1.2      | 1807  | 1182     | 2.2  | 1.3      | 1578  | 1032     | 2.6  | F 127R77 |       |          |      |          | 4     | F 107R77 |      |          |       |          | 4    | F 97R57  |       |          |      |          | 4     | F 77     |      |          |       |          | 6    |          |       |          |      |          |       |          |      |          |       |          |      |          |       |          |      |          |       |          |      |          |       |          |      |          |       |          |      |          |       |          |      |          |       |          |      |          |       |          |      |          |       |          |      |          |       |          |      |          |       |          |      |          |       |          |      |          |       |          |      |          |       |          |      |          |       |          |      |          |       |          |      |          |       |          |      |          |       |          |      |          |       |          |      |          |       |          |      |          |       |          |      |          |       |          |      |          |       |          |      |          |       |          |      |          |       |          |      |          |       |          |      |          |       |          |      |          |       |          |      |          |       |          |      |          |       |          |      |          |       |          |      |          |       |          |      |          |       |          |      |          |       |          |      |          |       |          |      |          |       |          |      |          |       |          |      |          |       |          |      |          |       |          |      |          |       |          |      |          |       |          |      |          |       |          |      |          |       |          |      |          |       |          |      |          |       |          |      |          |       |          |      |          |       |          |      |          |       |          |      |          |       |          |      |          |       |          |      |          |       |          |      |          |       |          |      |          |       |          |      |          |       |          |      |          |       |          |      |          |       |          |      |          |       |          |      |          |       |          |      |          |       |          |      |          |       |          |      |          |       |          |      |          |       |          |      |          |       |          |      |          |       |          |       |          |       |          |       |          |      |          |       |          |      |          |       |          |      |          |       |          |      |          |       |          |       |          |       |          |       |          |      |          |       |          |      |          |       |          |      |          |       |          |      |          |       |          |      |          |      |          |      |          |      |          |      |          |      |          |      |          |      |          |      |          |      |          |      |          |      |          |      |          |      |          |      |          |      |          |      |          |      |          |      |          |      |          |      |          |      |          |      |          |      |          |      |          |      |          |      |          |      |          |      |          |      |          |      |          |      |          |      |          |      |          |      |          |      |          |      |         |      |          |      |         |      |          |      |          |      |          |      |          |      |          |      |          |      |          |      |          |      |         |      |          |      |         |     |          |      |          |     |          |      |          |     |          |   |          |   |         |   |          |   |         |   |      |   |         |   |      |   |  |   |      |   |  |  |  |   |
| 0.63          | 3362       | 2199     | 1.20                   | 0.80        | 2658    | 1739          | 1.52       | 0.90     | 2357                   | 1542        | 1.71    | 1.0      | 2032  | 1329     | 2.0  | 1.2      | 1807  | 1182     | 2.2  | 1.3      | 1578  | 1032     | 2.6  | F 127R77 |       |          |      |          | 4     | F 107R77 |      |          |       |          | 4    | F 97R57  |       |          |      |          | 4     | F 77     |      |          |       |          | 6    |          |       |          |      |          |       |          |      |          |       |          |      |          |       |          |      |          |       |          |      |          |       |          |      |          |       |          |      |          |       |          |      |          |       |          |      |          |       |          |      |          |       |          |      |          |       |          |      |          |       |          |      |          |       |          |      |          |       |          |      |          |       |          |      |          |       |          |      |          |       |          |      |          |       |          |      |          |       |          |      |          |       |          |      |          |       |          |      |          |       |          |      |          |       |          |      |          |       |          |      |          |       |          |      |          |       |          |      |          |       |          |      |          |       |          |      |          |       |          |      |          |       |          |      |          |       |          |      |          |       |          |      |          |       |          |      |          |       |          |      |          |       |          |      |          |       |          |      |          |       |          |      |          |       |          |      |          |       |          |      |          |       |          |      |          |       |          |      |          |       |          |      |          |       |          |      |          |       |          |      |          |       |          |      |          |       |          |      |          |       |          |      |          |       |          |      |          |       |          |      |          |       |          |      |          |       |          |      |          |       |          |      |          |       |          |      |          |       |          |      |          |       |          |      |          |       |          |      |          |       |          |      |          |       |          |      |          |       |          |      |          |       |          |      |          |       |          |      |          |       |          |      |          |       |          |      |          |       |          |      |          |       |          |      |          |       |          |       |          |       |          |       |          |      |          |       |          |      |          |       |          |      |          |       |          |      |          |       |          |       |          |       |          |       |          |      |          |       |          |      |          |       |          |      |          |       |          |      |          |       |          |      |          |      |          |      |          |      |          |      |          |      |          |      |          |      |          |      |          |      |          |      |          |      |          |      |          |      |          |      |          |      |          |      |          |      |          |      |          |      |          |      |          |      |          |      |          |      |          |      |          |      |          |      |          |      |          |      |          |      |          |      |          |      |          |      |          |      |          |      |          |      |          |      |         |      |          |      |         |      |          |      |          |      |          |      |          |      |          |      |          |      |          |      |          |      |         |      |          |      |         |     |          |      |          |     |          |      |          |     |          |   |          |   |         |   |          |   |         |   |      |   |         |   |      |   |  |   |      |   |  |  |  |   |
| 0.80          | 2658       | 1739     | 1.52                   | 0.90        | 2357    | 1542          | 1.71       | 1.0      | 2032                   | 1329        | 2.0     | 1.2      | 1807  | 1182     | 2.2  | 1.3      | 1578  | 1032     | 2.6  | F 127R77 |       |          |      |          | 4     | F 107R77 |      |          |       |          | 4    | F 97R57  |       |          |      |          | 4     | F 77     |      |          |       |          | 6    |          |       |          |      |          |       |          |      |          |       |          |      |          |       |          |      |          |       |          |      |          |       |          |      |          |       |          |      |          |       |          |      |          |       |          |      |          |       |          |      |          |       |          |      |          |       |          |      |          |       |          |      |          |       |          |      |          |       |          |      |          |       |          |      |          |       |          |      |          |       |          |      |          |       |          |      |          |       |          |      |          |       |          |      |          |       |          |      |          |       |          |      |          |       |          |      |          |       |          |      |          |       |          |      |          |       |          |      |          |       |          |      |          |       |          |      |          |       |          |      |          |       |          |      |          |       |          |      |          |       |          |      |          |       |          |      |          |       |          |      |          |       |          |      |          |       |          |      |          |       |          |      |          |       |          |      |          |       |          |      |          |       |          |      |          |       |          |      |          |       |          |      |          |       |          |      |          |       |          |      |          |       |          |      |          |       |          |      |          |       |          |      |          |       |          |      |          |       |          |      |          |       |          |      |          |       |          |      |          |       |          |      |          |       |          |      |          |       |          |      |          |       |          |      |          |       |          |      |          |       |          |      |          |       |          |      |          |       |          |      |          |       |          |      |          |       |          |      |          |       |          |      |          |       |          |      |          |       |          |      |          |       |          |      |          |       |          |      |          |       |          |       |          |       |          |       |          |      |          |       |          |      |          |       |          |      |          |       |          |      |          |       |          |       |          |       |          |       |          |      |          |       |          |      |          |       |          |      |          |       |          |      |          |       |          |      |          |      |          |      |          |      |          |      |          |      |          |      |          |      |          |      |          |      |          |      |          |      |          |      |          |      |          |      |          |      |          |      |          |      |          |      |          |      |          |      |          |      |          |      |          |      |          |      |          |      |          |      |          |      |          |      |          |      |          |      |          |      |          |      |          |      |          |      |          |      |          |      |         |      |          |      |         |      |          |      |          |      |          |      |          |      |          |      |          |      |          |      |          |      |         |      |          |      |         |     |          |      |          |     |          |      |          |     |          |   |          |   |         |   |          |   |         |   |      |   |         |   |      |   |  |   |      |   |  |  |  |   |
| 0.90          | 2357       | 1542     | 1.71                   | 1.0         | 2032    | 1329          | 2.0        | 1.2      | 1807                   | 1182        | 2.2     | 1.3      | 1578  | 1032     | 2.6  | F 127R77 |       |          |      |          | 4     | F 107R77 |      |          |       |          | 4    | F 97R57  |       |          |      |          | 4     | F 77     |      |          |       |          | 6    |          |       |          |      |          |       |          |      |          |       |          |      |          |       |          |      |          |       |          |      |          |       |          |      |          |       |          |      |          |       |          |      |          |       |          |      |          |       |          |      |          |       |          |      |          |       |          |      |          |       |          |      |          |       |          |      |          |       |          |      |          |       |          |      |          |       |          |      |          |       |          |      |          |       |          |      |          |       |          |      |          |       |          |      |          |       |          |      |          |       |          |      |          |       |          |      |          |       |          |      |          |       |          |      |          |       |          |      |          |       |          |      |          |       |          |      |          |       |          |      |          |       |          |      |          |       |          |      |          |       |          |      |          |       |          |      |          |       |          |      |          |       |          |      |          |       |          |      |          |       |          |      |          |       |          |      |          |       |          |      |          |       |          |      |          |       |          |      |          |       |          |      |          |       |          |      |          |       |          |      |          |       |          |      |          |       |          |      |          |       |          |      |          |       |          |      |          |       |          |      |          |       |          |      |          |       |          |      |          |       |          |      |          |       |          |      |          |       |          |      |          |       |          |      |          |       |          |      |          |       |          |      |          |       |          |      |          |       |          |      |          |       |          |      |          |       |          |      |          |       |          |      |          |       |          |      |          |       |          |      |          |       |          |      |          |       |          |      |          |       |          |      |          |       |          |       |          |       |          |       |          |      |          |       |          |      |          |       |          |      |          |       |          |      |          |       |          |       |          |       |          |       |          |      |          |       |          |      |          |       |          |      |          |       |          |      |          |       |          |      |          |      |          |      |          |      |          |      |          |      |          |      |          |      |          |      |          |      |          |      |          |      |          |      |          |      |          |      |          |      |          |      |          |      |          |      |          |      |          |      |          |      |          |      |          |      |          |      |          |      |          |      |          |      |          |      |          |      |          |      |          |      |          |      |          |      |          |      |          |      |          |      |         |      |          |      |         |      |          |      |          |      |          |      |          |      |          |      |          |      |          |      |          |      |         |      |          |      |         |     |          |      |          |     |          |      |          |     |          |   |          |   |         |   |          |   |         |   |      |   |         |   |      |   |  |   |      |   |  |  |  |   |
| 1.0           | 2032       | 1329     | 2.0                    | 1.2         | 1807    | 1182          | 2.2        | 1.3      | 1578                   | 1032        | 2.6     | F 127R77 |       |          |      |          | 4     | F 107R77 |      |          |       |          | 4    | F 97R57  |       |          |      |          | 4     | F 77     |      |          |       |          | 6    |          |       |          |      |          |       |          |      |          |       |          |      |          |       |          |      |          |       |          |      |          |       |          |      |          |       |          |      |          |       |          |      |          |       |          |      |          |       |          |      |          |       |          |      |          |       |          |      |          |       |          |      |          |       |          |      |          |       |          |      |          |       |          |      |          |       |          |      |          |       |          |      |          |       |          |      |          |       |          |      |          |       |          |      |          |       |          |      |          |       |          |      |          |       |          |      |          |       |          |      |          |       |          |      |          |       |          |      |          |       |          |      |          |       |          |      |          |       |          |      |          |       |          |      |          |       |          |      |          |       |          |      |          |       |          |      |          |       |          |      |          |       |          |      |          |       |          |      |          |       |          |      |          |       |          |      |          |       |          |      |          |       |          |      |          |       |          |      |          |       |          |      |          |       |          |      |          |       |          |      |          |       |          |      |          |       |          |      |          |       |          |      |          |       |          |      |          |       |          |      |          |       |          |      |          |       |          |      |          |       |          |      |          |       |          |      |          |       |          |      |          |       |          |      |          |       |          |      |          |       |          |      |          |       |          |      |          |       |          |      |          |       |          |      |          |       |          |      |          |       |          |      |          |       |          |      |          |       |          |      |          |       |          |      |          |       |          |      |          |       |          |      |          |       |          |      |          |       |          |       |          |       |          |       |          |      |          |       |          |      |          |       |          |      |          |       |          |      |          |       |          |       |          |       |          |       |          |      |          |       |          |      |          |       |          |      |          |       |          |      |          |       |          |      |          |      |          |      |          |      |          |      |          |      |          |      |          |      |          |      |          |      |          |      |          |      |          |      |          |      |          |      |          |      |          |      |          |      |          |      |          |      |          |      |          |      |          |      |          |      |          |      |          |      |          |      |          |      |          |      |          |      |          |      |          |      |          |      |          |      |          |      |          |      |          |      |         |      |          |      |         |      |          |      |          |      |          |      |          |      |          |      |          |      |          |      |          |      |         |      |          |      |         |     |          |      |          |     |          |      |          |     |          |   |          |   |         |   |          |   |         |   |      |   |         |   |      |   |  |   |      |   |  |  |  |   |
| 1.2           | 1807       | 1182     | 2.2                    | 1.3         | 1578    | 1032          | 2.6        | F 127R77 |                        |             |         |          | 4     | F 107R77 |      |          |       |          | 4    | F 97R57  |       |          |      |          | 4     | F 77     |      |          |       |          | 6    |          |       |          |      |          |       |          |      |          |       |          |      |          |       |          |      |          |       |          |      |          |       |          |      |          |       |          |      |          |       |          |      |          |       |          |      |          |       |          |      |          |       |          |      |          |       |          |      |          |       |          |      |          |       |          |      |          |       |          |      |          |       |          |      |          |       |          |      |          |       |          |      |          |       |          |      |          |       |          |      |          |       |          |      |          |       |          |      |          |       |          |      |          |       |          |      |          |       |          |      |          |       |          |      |          |       |          |      |          |       |          |      |          |       |          |      |          |       |          |      |          |       |          |      |          |       |          |      |          |       |          |      |          |       |          |      |          |       |          |      |          |       |          |      |          |       |          |      |          |       |          |      |          |       |          |      |          |       |          |      |          |       |          |      |          |       |          |      |          |       |          |      |          |       |          |      |          |       |          |      |          |       |          |      |          |       |          |      |          |       |          |      |          |       |          |      |          |       |          |      |          |       |          |      |          |       |          |      |          |       |          |      |          |       |          |      |          |       |          |      |          |       |          |      |          |       |          |      |          |       |          |      |          |       |          |      |          |       |          |      |          |       |          |      |          |       |          |      |          |       |          |      |          |       |          |      |          |       |          |      |          |       |          |      |          |       |          |      |          |       |          |      |          |       |          |      |          |       |          |      |          |       |          |       |          |       |          |       |          |      |          |       |          |      |          |       |          |      |          |       |          |      |          |       |          |       |          |       |          |       |          |      |          |       |          |      |          |       |          |      |          |       |          |      |          |       |          |      |          |      |          |      |          |      |          |      |          |      |          |      |          |      |          |      |          |      |          |      |          |      |          |      |          |      |          |      |          |      |          |      |          |      |          |      |          |      |          |      |          |      |          |      |          |      |          |      |          |      |          |      |          |      |          |      |          |      |          |      |          |      |          |      |          |      |          |      |          |      |          |      |         |      |          |      |         |      |          |      |          |      |          |      |          |      |          |      |          |      |          |      |          |      |         |      |          |      |         |     |          |      |          |     |          |      |          |     |          |   |          |   |         |   |          |   |         |   |      |   |         |   |      |   |  |   |      |   |  |  |  |   |
| 1.3           | 1578       | 1032     | 2.6                    | F 127R77    |         |               |            |          | 4                      | F 107R77    |         |          |       |          | 4    | F 97R57  |       |          |      |          | 4     | F 77     |      |          |       |          | 6    |          |       |          |      |          |       |          |      |          |       |          |      |          |       |          |      |          |       |          |      |          |       |          |      |          |       |          |      |          |       |          |      |          |       |          |      |          |       |          |      |          |       |          |      |          |       |          |      |          |       |          |      |          |       |          |      |          |       |          |      |          |       |          |      |          |       |          |      |          |       |          |      |          |       |          |      |          |       |          |      |          |       |          |      |          |       |          |      |          |       |          |      |          |       |          |      |          |       |          |      |          |       |          |      |          |       |          |      |          |       |          |      |          |       |          |      |          |       |          |      |          |       |          |      |          |       |          |      |          |       |          |      |          |       |          |      |          |       |          |      |          |       |          |      |          |       |          |      |          |       |          |      |          |       |          |      |          |       |          |      |          |       |          |      |          |       |          |      |          |       |          |      |          |       |          |      |          |       |          |      |          |       |          |      |          |       |          |      |          |       |          |      |          |       |          |      |          |       |          |      |          |       |          |      |          |       |          |      |          |       |          |      |          |       |          |      |          |       |          |      |          |       |          |      |          |       |          |      |          |       |          |      |          |       |          |      |          |       |          |      |          |       |          |      |          |       |          |      |          |       |          |      |          |       |          |      |          |       |          |      |          |       |          |      |          |       |          |      |          |       |          |      |          |       |          |      |          |       |          |      |          |       |          |      |          |       |          |       |          |       |          |       |          |      |          |       |          |      |          |       |          |      |          |       |          |      |          |       |          |       |          |       |          |       |          |      |          |       |          |      |          |       |          |      |          |       |          |      |          |       |          |      |          |      |          |      |          |      |          |      |          |      |          |      |          |      |          |      |          |      |          |      |          |      |          |      |          |      |          |      |          |      |          |      |          |      |          |      |          |      |          |      |          |      |          |      |          |      |          |      |          |      |          |      |          |      |          |      |          |      |          |      |          |      |          |      |          |      |          |      |          |      |          |      |         |      |          |      |         |      |          |      |          |      |          |      |          |      |          |      |          |      |          |      |          |      |         |      |          |      |         |     |          |      |          |     |          |      |          |     |          |   |          |   |         |   |          |   |         |   |      |   |         |   |      |   |  |   |      |   |  |  |  |   |
| F 127R77      |            |          |                        |             | 4       | F 107R77      |            |          |                        |             | 4       | F 97R57  |       |          |      |          | 4     | F 77     |      |          |       |          | 6    |          |       |          |      |          |       |          |      |          |       |          |      |          |       |          |      |          |       |          |      |          |       |          |      |          |       |          |      |          |       |          |      |          |       |          |      |          |       |          |      |          |       |          |      |          |       |          |      |          |       |          |      |          |       |          |      |          |       |          |      |          |       |          |      |          |       |          |      |          |       |          |      |          |       |          |      |          |       |          |      |          |       |          |      |          |       |          |      |          |       |          |      |          |       |          |      |          |       |          |      |          |       |          |      |          |       |          |      |          |       |          |      |          |       |          |      |          |       |          |      |          |       |          |      |          |       |          |      |          |       |          |      |          |       |          |      |          |       |          |      |          |       |          |      |          |       |          |      |          |       |          |      |          |       |          |      |          |       |          |      |          |       |          |      |          |       |          |      |          |       |          |      |          |       |          |      |          |       |          |      |          |       |          |      |          |       |          |      |          |       |          |      |          |       |          |      |          |       |          |      |          |       |          |      |          |       |          |      |          |       |          |      |          |       |          |      |          |       |          |      |          |       |          |      |          |       |          |      |          |       |          |      |          |       |          |      |          |       |          |      |          |       |          |      |          |       |          |      |          |       |          |      |          |       |          |      |          |       |          |      |          |       |          |      |          |       |          |      |          |       |          |      |          |       |          |      |          |       |          |      |          |       |          |      |          |       |          |      |          |       |          |       |          |       |          |       |          |      |          |       |          |      |          |       |          |      |          |       |          |      |          |       |          |       |          |       |          |       |          |      |          |       |          |      |          |       |          |      |          |       |          |      |          |       |          |      |          |      |          |      |          |      |          |      |          |      |          |      |          |      |          |      |          |      |          |      |          |      |          |      |          |      |          |      |          |      |          |      |          |      |          |      |          |      |          |      |          |      |          |      |          |      |          |      |          |      |          |      |          |      |          |      |          |      |          |      |          |      |          |      |          |      |          |      |          |      |          |      |         |      |          |      |         |      |          |      |          |      |          |      |          |      |          |      |          |      |          |      |          |      |         |      |          |      |         |     |          |      |          |     |          |      |          |     |          |   |          |   |         |   |          |   |         |   |      |   |         |   |      |   |  |   |      |   |  |  |  |   |
| F 107R77      |            |          |                        |             | 4       | F 97R57       |            |          |                        |             | 4       | F 77     |       |          |      |          | 6     |          |      |          |       |          |      |          |       |          |      |          |       |          |      |          |       |          |      |          |       |          |      |          |       |          |      |          |       |          |      |          |       |          |      |          |       |          |      |          |       |          |      |          |       |          |      |          |       |          |      |          |       |          |      |          |       |          |      |          |       |          |      |          |       |          |      |          |       |          |      |          |       |          |      |          |       |          |      |          |       |          |      |          |       |          |      |          |       |          |      |          |       |          |      |          |       |          |      |          |       |          |      |          |       |          |      |          |       |          |      |          |       |          |      |          |       |          |      |          |       |          |      |          |       |          |      |          |       |          |      |          |       |          |      |          |       |          |      |          |       |          |      |          |       |          |      |          |       |          |      |          |       |          |      |          |       |          |      |          |       |          |      |          |       |          |      |          |       |          |      |          |       |          |      |          |       |          |      |          |       |          |      |          |       |          |      |          |       |          |      |          |       |          |      |          |       |          |      |          |       |          |      |          |       |          |      |          |       |          |      |          |       |          |      |          |       |          |      |          |       |          |      |          |       |          |      |          |       |          |      |          |       |          |      |          |       |          |      |          |       |          |      |          |       |          |      |          |       |          |      |          |       |          |      |          |       |          |      |          |       |          |      |          |       |          |      |          |       |          |      |          |       |          |      |          |       |          |      |          |       |          |      |          |       |          |      |          |       |          |      |          |       |          |      |          |       |          |       |          |       |          |       |          |      |          |       |          |      |          |       |          |      |          |       |          |      |          |       |          |       |          |       |          |       |          |      |          |       |          |      |          |       |          |      |          |       |          |      |          |       |          |      |          |      |          |      |          |      |          |      |          |      |          |      |          |      |          |      |          |      |          |      |          |      |          |      |          |      |          |      |          |      |          |      |          |      |          |      |          |      |          |      |          |      |          |      |          |      |          |      |          |      |          |      |          |      |          |      |          |      |          |      |          |      |          |      |          |      |          |      |          |      |          |      |         |      |          |      |         |      |          |      |          |      |          |      |          |      |          |      |          |      |          |      |          |      |         |      |          |      |         |     |          |      |          |     |          |      |          |     |          |   |          |   |         |   |          |   |         |   |      |   |         |   |      |   |  |   |      |   |  |  |  |   |
| F 97R57       |            |          |                        |             | 4       | F 77          |            |          |                        |             | 6       |          |       |          |      |          |       |          |      |          |       |          |      |          |       |          |      |          |       |          |      |          |       |          |      |          |       |          |      |          |       |          |      |          |       |          |      |          |       |          |      |          |       |          |      |          |       |          |      |          |       |          |      |          |       |          |      |          |       |          |      |          |       |          |      |          |       |          |      |          |       |          |      |          |       |          |      |          |       |          |      |          |       |          |      |          |       |          |      |          |       |          |      |          |       |          |      |          |       |          |      |          |       |          |      |          |       |          |      |          |       |          |      |          |       |          |      |          |       |          |      |          |       |          |      |          |       |          |      |          |       |          |      |          |       |          |      |          |       |          |      |          |       |          |      |          |       |          |      |          |       |          |      |          |       |          |      |          |       |          |      |          |       |          |      |          |       |          |      |          |       |          |      |          |       |          |      |          |       |          |      |          |       |          |      |          |       |          |      |          |       |          |      |          |       |          |      |          |       |          |      |          |       |          |      |          |       |          |      |          |       |          |      |          |       |          |      |          |       |          |      |          |       |          |      |          |       |          |      |          |       |          |      |          |       |          |      |          |       |          |      |          |       |          |      |          |       |          |      |          |       |          |      |          |       |          |      |          |       |          |      |          |       |          |      |          |       |          |      |          |       |          |      |          |       |          |      |          |       |          |      |          |       |          |      |          |       |          |      |          |       |          |      |          |       |          |      |          |       |          |      |          |       |          |       |          |       |          |       |          |      |          |       |          |      |          |       |          |      |          |       |          |      |          |       |          |       |          |       |          |       |          |      |          |       |          |      |          |       |          |      |          |       |          |      |          |       |          |      |          |      |          |      |          |      |          |      |          |      |          |      |          |      |          |      |          |      |          |      |          |      |          |      |          |      |          |      |          |      |          |      |          |      |          |      |          |      |          |      |          |      |          |      |          |      |          |      |          |      |          |      |          |      |          |      |          |      |          |      |          |      |          |      |          |      |          |      |          |      |          |      |         |      |          |      |         |      |          |      |          |      |          |      |          |      |          |      |          |      |          |      |          |      |         |      |          |      |         |     |          |      |          |     |          |      |          |     |          |   |          |   |         |   |          |   |         |   |      |   |         |   |      |   |  |   |      |   |  |  |  |   |
| F 77          |            |          |                        |             | 6       |               |            |          |                        |             |         |          |       |          |      |          |       |          |      |          |       |          |      |          |       |          |      |          |       |          |      |          |       |          |      |          |       |          |      |          |       |          |      |          |       |          |      |          |       |          |      |          |       |          |      |          |       |          |      |          |       |          |      |          |       |          |      |          |       |          |      |          |       |          |      |          |       |          |      |          |       |          |      |          |       |          |      |          |       |          |      |          |       |          |      |          |       |          |      |          |       |          |      |          |       |          |      |          |       |          |      |          |       |          |      |          |       |          |      |          |       |          |      |          |       |          |      |          |       |          |      |          |       |          |      |          |       |          |      |          |       |          |      |          |       |          |      |          |       |          |      |          |       |          |      |          |       |          |      |          |       |          |      |          |       |          |      |          |       |          |      |          |       |          |      |          |       |          |      |          |       |          |      |          |       |          |      |          |       |          |      |          |       |          |      |          |       |          |      |          |       |          |      |          |       |          |      |          |       |          |      |          |       |          |      |          |       |          |      |          |       |          |      |          |       |          |      |          |       |          |      |          |       |          |      |          |       |          |      |          |       |          |      |          |       |          |      |          |       |          |      |          |       |          |      |          |       |          |      |          |       |          |      |          |       |          |      |          |       |          |      |          |       |          |      |          |       |          |      |          |       |          |      |          |       |          |      |          |       |          |      |          |       |          |      |          |       |          |      |          |       |          |      |          |       |          |      |          |       |          |      |          |       |          |       |          |       |          |       |          |      |          |       |          |      |          |       |          |      |          |       |          |      |          |       |          |       |          |       |          |       |          |      |          |       |          |      |          |       |          |      |          |       |          |      |          |       |          |      |          |      |          |      |          |      |          |      |          |      |          |      |          |      |          |      |          |      |          |      |          |      |          |      |          |      |          |      |          |      |          |      |          |      |          |      |          |      |          |      |          |      |          |      |          |      |          |      |          |      |          |      |          |      |          |      |          |      |          |      |          |      |          |      |          |      |          |      |          |      |          |      |         |      |          |      |         |      |          |      |          |      |          |      |          |      |          |      |          |      |          |      |          |      |         |      |          |      |         |     |          |      |          |     |          |      |          |     |          |   |          |   |         |   |          |   |         |   |      |   |         |   |      |   |  |   |      |   |  |  |  |   |

减速机的外形安装尺寸在95页到101页里查找。The appearance of reducer installation dimensions in 95 to 101 page search page.



| 输出转速<br>r/min | 输出扭矩<br>Nm | 传动比<br>i | 使用系数<br>f <sub>B</sub> | 机型号<br>Type | 极数<br>p | 输出转速<br>r/min | 输出扭矩<br>Nm | 传动比<br>i | 使用系数<br>f <sub>B</sub> | 机型号<br>Type | 极数<br>p |          |       |               |      |         |      |               |       |         |      |               |      |          |       |               |       |         |      |          |       |         |      |          |       |         |      |          |      |         |      |         |       |         |      |          |      |         |      |         |       |         |      |         |       |          |       |          |       |          |       |          |       |         |      |          |      |          |       |          |       |          |      |          |       |         |      |          |       |         |      |          |      |         |      |         |       |         |       |          |      |         |      |          |      |         |       |          |       |          |       |         |       |         |       |          |      |         |      |         |      |         |       |         |       |         |      |         |       |         |      |          |       |         |      |         |       |          |      |         |      |          |      |          |      |         |       |          |       |          |      |         |       |         |       |          |      |         |      |         |       |         |      |          |       |         |      |         |      |         |      |         |      |         |      |         |      |         |       |         |      |         |      |         |      |         |      |          |      |         |      |         |      |         |      |          |       |         |      |          |      |          |      |          |      |         |      |         |      |         |      |          |      |         |      |         |      |         |      |         |      |         |      |         |      |         |      |          |      |         |      |         |      |         |      |         |      |          |      |         |      |         |      |         |      |         |      |          |      |         |      |         |      |         |      |         |      |        |      |         |      |         |      |       |      |         |      |         |      |          |      |          |      |         |      |         |      |         |      |          |      |         |      |         |      |         |      |         |      |          |      |         |      |         |      |          |      |      |      |         |      |         |      |         |      |         |      |          |      |         |      |          |      |         |      |        |      |         |      |          |      |         |      |         |      |         |      |          |      |         |      |         |      |         |      |          |      |         |      |       |      |        |      |          |      |         |      |         |      |      |      |         |      |          |      |          |      |         |      |          |      |      |      |         |      |         |      |         |      |          |      |       |      |        |      |          |      |      |      |       |      |        |      |         |      |      |      |        |      |        |      |         |      |     |      |        |      |         |      |       |      |        |      |          |      |       |      |         |      |        |      |         |     |      |      |        |      |         |     |        |      |         |     |        |      |        |     |        |      |       |      |         |      |        |     |        |      |       |     |        |      |       |     |        |     |       |     |       |      |       |      |         |     |       |     |        |     |       |     |        |     |       |     |       |     |       |     |       |     |       |     |       |     |       |     |       |     |       |     |       |     |       |     |       |     |       |     |       |     |       |     |       |     |       |     |       |     |       |     |       |     |       |     |       |     |       |     |       |     |       |     |       |     |       |     |       |     |       |     |       |     |       |     |       |     |       |    |       |     |       |    |       |     |      |    |       |     |      |    |       |     |     |    |       |     |     |    |       |    |     |    |       |    |     |    |      |    |     |    |
|---------------|------------|----------|------------------------|-------------|---------|---------------|------------|----------|------------------------|-------------|---------|----------|-------|---------------|------|---------|------|---------------|-------|---------|------|---------------|------|----------|-------|---------------|-------|---------|------|----------|-------|---------|------|----------|-------|---------|------|----------|------|---------|------|---------|-------|---------|------|----------|------|---------|------|---------|-------|---------|------|---------|-------|----------|-------|----------|-------|----------|-------|----------|-------|---------|------|----------|------|----------|-------|----------|-------|----------|------|----------|-------|---------|------|----------|-------|---------|------|----------|------|---------|------|---------|-------|---------|-------|----------|------|---------|------|----------|------|---------|-------|----------|-------|----------|-------|---------|-------|---------|-------|----------|------|---------|------|---------|------|---------|-------|---------|-------|---------|------|---------|-------|---------|------|----------|-------|---------|------|---------|-------|----------|------|---------|------|----------|------|----------|------|---------|-------|----------|-------|----------|------|---------|-------|---------|-------|----------|------|---------|------|---------|-------|---------|------|----------|-------|---------|------|---------|------|---------|------|---------|------|---------|------|---------|------|---------|-------|---------|------|---------|------|---------|------|---------|------|----------|------|---------|------|---------|------|---------|------|----------|-------|---------|------|----------|------|----------|------|----------|------|---------|------|---------|------|---------|------|----------|------|---------|------|---------|------|---------|------|---------|------|---------|------|---------|------|---------|------|----------|------|---------|------|---------|------|---------|------|---------|------|----------|------|---------|------|---------|------|---------|------|---------|------|----------|------|---------|------|---------|------|---------|------|---------|------|--------|------|---------|------|---------|------|-------|------|---------|------|---------|------|----------|------|----------|------|---------|------|---------|------|---------|------|----------|------|---------|------|---------|------|---------|------|---------|------|----------|------|---------|------|---------|------|----------|------|------|------|---------|------|---------|------|---------|------|---------|------|----------|------|---------|------|----------|------|---------|------|--------|------|---------|------|----------|------|---------|------|---------|------|---------|------|----------|------|---------|------|---------|------|---------|------|----------|------|---------|------|-------|------|--------|------|----------|------|---------|------|---------|------|------|------|---------|------|----------|------|----------|------|---------|------|----------|------|------|------|---------|------|---------|------|---------|------|----------|------|-------|------|--------|------|----------|------|------|------|-------|------|--------|------|---------|------|------|------|--------|------|--------|------|---------|------|-----|------|--------|------|---------|------|-------|------|--------|------|----------|------|-------|------|---------|------|--------|------|---------|-----|------|------|--------|------|---------|-----|--------|------|---------|-----|--------|------|--------|-----|--------|------|-------|------|---------|------|--------|-----|--------|------|-------|-----|--------|------|-------|-----|--------|-----|-------|-----|-------|------|-------|------|---------|-----|-------|-----|--------|-----|-------|-----|--------|-----|-------|-----|-------|-----|-------|-----|-------|-----|-------|-----|-------|-----|-------|-----|-------|-----|-------|-----|-------|-----|-------|-----|-------|-----|-------|-----|-------|-----|-------|-----|-------|-----|-------|-----|-------|-----|-------|-----|-------|-----|-------|-----|-------|-----|-------|-----|-------|-----|-------|-----|-------|-----|-------|-----|-------|-----|-------|-----|-------|-----|-------|-----|-------|-----|-------|----|-------|-----|-------|----|-------|-----|------|----|-------|-----|------|----|-------|-----|-----|----|-------|-----|-----|----|-------|----|-----|----|-------|----|-----|----|------|----|-----|----|
| <b>0.25kW</b> |            |          |                        |             |         | <b>0.25kW</b> |            |          |                        |             |         |          |       |               |      |         |      |               |       |         |      |               |      |          |       |               |       |         |      |          |       |         |      |          |       |         |      |          |      |         |      |         |       |         |      |          |      |         |      |         |       |         |      |         |       |          |       |          |       |          |       |          |       |         |      |          |      |          |       |          |       |          |      |          |       |         |      |          |       |         |      |          |      |         |      |         |       |         |       |          |      |         |      |          |      |         |       |          |       |          |       |         |       |         |       |          |      |         |      |         |      |         |       |         |       |         |      |         |       |         |      |          |       |         |      |         |       |          |      |         |      |          |      |          |      |         |       |          |       |          |      |         |       |         |       |          |      |         |      |         |       |         |      |          |       |         |      |         |      |         |      |         |      |         |      |         |      |         |       |         |      |         |      |         |      |         |      |          |      |         |      |         |      |         |      |          |       |         |      |          |      |          |      |          |      |         |      |         |      |         |      |          |      |         |      |         |      |         |      |         |      |         |      |         |      |         |      |          |      |         |      |         |      |         |      |         |      |          |      |         |      |         |      |         |      |         |      |          |      |         |      |         |      |         |      |         |      |        |      |         |      |         |      |       |      |         |      |         |      |          |      |          |      |         |      |         |      |         |      |          |      |         |      |         |      |         |      |         |      |          |      |         |      |         |      |          |      |      |      |         |      |         |      |         |      |         |      |          |      |         |      |          |      |         |      |        |      |         |      |          |      |         |      |         |      |         |      |          |      |         |      |         |      |         |      |          |      |         |      |       |      |        |      |          |      |         |      |         |      |      |      |         |      |          |      |          |      |         |      |          |      |      |      |         |      |         |      |         |      |          |      |       |      |        |      |          |      |      |      |       |      |        |      |         |      |      |      |        |      |        |      |         |      |     |      |        |      |         |      |       |      |        |      |          |      |       |      |         |      |        |      |         |     |      |      |        |      |         |     |        |      |         |     |        |      |        |     |        |      |       |      |         |      |        |     |        |      |       |     |        |      |       |     |        |     |       |     |       |      |       |      |         |     |       |     |        |     |       |     |        |     |       |     |       |     |       |     |       |     |       |     |       |     |       |     |       |     |       |     |       |     |       |     |       |     |       |     |       |     |       |     |       |     |       |     |       |     |       |     |       |     |       |     |       |     |       |     |       |     |       |     |       |     |       |     |       |     |       |     |       |     |       |     |       |     |       |    |       |     |       |    |       |     |      |    |       |     |      |    |       |     |     |    |       |     |     |    |       |    |     |    |       |    |     |    |      |    |     |    |
| 3.7           | 605        | 228.99   | 1.3                    | F 67        | 6       | 204           | 11         | 6.81     | 12                     | F 37        | 4       |          |       |               |      |         |      |               |       |         |      |               |      |          |       |               |       |         |      |          |       |         |      |          |       |         |      |          |      |         |      |         |       |         |      |          |      |         |      |         |       |         |      |         |       |          |       |          |       |          |       |          |       |         |      |          |      |          |       |          |       |          |      |          |       |         |      |          |       |         |      |          |      |         |      |         |       |         |       |          |      |         |      |          |      |         |       |          |       |          |       |         |       |         |       |          |      |         |      |         |      |         |       |         |       |         |      |         |       |         |      |          |       |         |      |         |       |          |      |         |      |          |      |          |      |         |       |          |       |          |      |         |       |         |       |          |      |         |      |         |       |         |      |          |       |         |      |         |      |         |      |         |      |         |      |         |      |         |       |         |      |         |      |         |      |         |      |          |      |         |      |         |      |         |      |          |       |         |      |          |      |          |      |          |      |         |      |         |      |         |      |          |      |         |      |         |      |         |      |         |      |         |      |         |      |         |      |          |      |         |      |         |      |         |      |         |      |          |      |         |      |         |      |         |      |         |      |          |      |         |      |         |      |         |      |         |      |        |      |         |      |         |      |       |      |         |      |         |      |          |      |          |      |         |      |         |      |         |      |          |      |         |      |         |      |         |      |         |      |          |      |         |      |         |      |          |      |      |      |         |      |         |      |         |      |         |      |          |      |         |      |          |      |         |      |        |      |         |      |          |      |         |      |         |      |         |      |          |      |         |      |         |      |         |      |          |      |         |      |       |      |        |      |          |      |         |      |         |      |      |      |         |      |          |      |          |      |         |      |          |      |      |      |         |      |         |      |         |      |          |      |       |      |        |      |          |      |      |      |       |      |        |      |         |      |      |      |        |      |        |      |         |      |     |      |        |      |         |      |       |      |        |      |          |      |       |      |         |      |        |      |         |     |      |      |        |      |         |     |        |      |         |     |        |      |        |     |        |      |       |      |         |      |        |     |        |      |       |     |        |      |       |     |        |     |       |     |       |      |       |      |         |     |       |     |        |     |       |     |        |     |       |     |       |     |       |     |       |     |       |     |       |     |       |     |       |     |       |     |       |     |       |     |       |     |       |     |       |     |       |     |       |     |       |     |       |     |       |     |       |     |       |     |       |     |       |     |       |     |       |     |       |     |       |     |       |     |       |     |       |     |       |     |       |     |       |    |       |     |       |    |       |     |      |    |       |     |      |    |       |     |     |    |       |     |     |    |       |    |     |    |       |    |     |    |      |    |     |    |
| 4.4           | 516        | 195.39   | 1.5                    |             |         | 5.0           | 451        | 170.85   | 1.7                    |             |         | 5.2      | 429   | 162.31        | 1.8  | 6.0     | 376  | 142.40        | 2.1   | 6.1     | 370  | 228.99        | 2.1  | F 67     | 4     | <b>0.37kW</b> |       |         |      |          |       | 7.1     | 315  | 195.39   | 2.4   | 8.1     | 276  | 170.85   | 2.8  | 8.6     | 262  | 162.31  | 2.9   | 9.8     | 230  | 142.40   | 3.4  | 4.3     | 527  | 199.70  | 1.07  | F 57    | 6    | 0.21    | 15312 | 6768     | 0.74  | F 127R77 | 4     | 4.6      | 485   | 183.60   | 1.16  | 5.4     | 415  | 157.09   | 1.4  | 6.2      | 360   | 136.16   | 1.6   | 6.7      | 336  | 127.27   | 1.7   | 7.7     | 290  | 110.01   | 1.9   | 7.0     | 322  | 199.70   | 1.7  | F 57    | 4    | 0.23    | 13514 | 5973    | 0.83  | F 107R77 | 4    | 7.6     | 296  | 183.60   | 1.9  | 8.8     | 254   | 157.06   | 2.2   | 10       | 220   | 136.16  | 2.6   | 11      | 205   | 127.27   | 2.7  | 13      | 178  | 110.01  | 3.2  | 5.7     | 393   | 148.98  | 1.0   | F 47    | 6    | 0.27    | 11484 | 5076    | 0.98 | F 97R57  | 4     | 6.6     | 341  | 129.14  | 1.1   | 7.0      | 319  | 120.70  | 1.2  | 8.1      | 275  | 104.33   | 1.4  | 7.3     | 306   | 189.39   | 1.2   | F 47     | 4    | 0.31    | 10104 | 4466    | 1.12  | F 87R57  | 4    | 8.0     | 281  | 174.13  | 1.3   | 9.3     | 241  | 148.98   | 1.6   | 11      | 209  | 129.14  | 1.8  | 12      | 195  | 120.70  | 1.9  | 13      | 168  | 104.33  | 2.2  | 16      | 143   | 88.65   | 2.6  | 1.1     | 2941 | 1300    | 1.0  | F 87R57 | 4    | 0.36     | 8751 | 3868    | 1.29 | F 77R37 | 4    | 1.2     | 2597 | 1148     | 1.1   | 1.4     | 2285 | 1010     | 1.2  | 1.6      | 2007 | 887      | 1.4  | 1.8     | 1765 | 780     | 1.6  | 2.1     | 1525 | 674      | 1.8  | 2.3     | 1378 | 609     | 2.0  | 2.7     | 1165 | 515     | 2.4  | 3.1     | 1023 | 452     | 2.8  | 1.7     | 1833 | 810      | 0.77 | F 77R37 | 4    | 0.41    | 7699 | 3403    | 1.47 | F 67R37 | 4    | 2.0      | 1606 | 710     | 0.88 | 2.3     | 1357 | 600     | 1.04 | 2.6     | 1188 | 525      | 1.19 | 3.0     | 1061 | 469     | 1.33 | 3.4     | 932  | 412     | 1.51 | 3.9    | 808  | 357     | 1.75 | 4.4     | 710  | 314   | 1.98 | 3.3     | 966  | 427     | 0.80 | F 67R37  | 4    | 0.47     | 6758 | 2987    | 1.67 | F 57R37 | 4    | 3.8     | 828  | 366      | 0.93 | 4.3     | 731  | 323     | 1.05 | 4.8     | 656  | 290     | 1.17 | 5.4      | 581  | 257     | 1.33 | 6.3     | 498  | 220      | 1.55 | 5.6  | 563  | 249     | 1.00 | F 57R37 | 4    | 0.46    | 6871 | 3037    | 1.07 | F 107R77 | 4    | 7.1     | 446  | 197      | 1.27 | 7.7     | 410  | 181    | 1.38 | 5.3     | 593  | 262      | 0.95 | 6.2     | 511  | 226     | 1.10 | 7.0     | 452  | 200      | 1.25 | 8.4     | 376  | 166     | 1.50 | 9.1     | 344  | 152      | 1.64 | 10      | 303  | 134   | 1.86 | 11     | 207  | 128.51   | 0.9  | F 37    | 4    | 0.61    | 5129 | 2267 | 0.79 | F 97R57 | 4    | 12       | 190  | 117.88   | 1.0  | 14      | 162  | 100.36   | 1.2  | 16   | 140  | 86.53   | 1.3  | 17      | 130  | 80.65   | 1.4  | 20       | 114  | 70.50 | 1.7  | 21     | 107  | 66.09    | 1.8  | 24   | 94   | 58.32 | 2.0  | 25     | 88   | 54.54   | 2.1  | 27   | 83   | 51.70  | 2.3  | 30     | 76   | 47.02   | 2.5  | 32  | 71   | 43.83  | 2.7  | 36      | 62   | 38.31 | 3.0  | 39     | 58   | 35.91    | 3.2  | 44    | 51   | 31.69   | 3.7  | 49     | 45   | 28.09   | 4.1 | 58   | 39   | 23.88  | 4.9  | 59      | 38  | 23.63  | 4.9  | 68      | 33  | 20.57  | 5.7  | 72     | 31  | 19.27  | 6.0  | 82    | 27   | 17.03   | 6.8  | 88     | 26  | 15.81  | 7.4  | 97    | 23  | 14.33  | 8.1  | 108   | 21  | 12.87  | 9.0 | 125   | 18  | 11.08 | 10   | 133   | 17   | 10.42   | 10  | 155   | 14  | 8.97   | 11  | 185   | 12  | 7.51   | 11  |       |     |       |     |       |     |       |     |       |     |       |     |       |     |       |     |       |     |       |     |       |     |       |     |       |     |       |     |       |     |       |     |       |     |       |     |       |     |       |     |       |     |       |     |       |     |       |     |       |     |       |     |       |     |       |     |       |     |       |     |       |     |       |     |       |    |       |     |       |    |       |     |      |    |       |     |      |    |       |     |     |    |       |     |     |    |       |    |     |    |       |    |     |    |      |    |     |    |
| 5.0           | 451        | 170.85   | 1.7                    |             |         | 5.2           | 429        | 162.31   | 1.8                    |             |         | 6.0      | 376   | 142.40        | 2.1  | 6.1     | 370  | 228.99        | 2.1   | F 67    | 4    | <b>0.37kW</b> |      |          |       |               |       | 7.1     | 315  | 195.39   | 2.4   | 8.1     | 276  | 170.85   | 2.8   | 8.6     | 262  | 162.31   | 2.9  | 9.8     | 230  | 142.40  | 3.4   | 4.3     | 527  | 199.70   | 1.07 | F 57    | 6    | 0.21    | 15312 |         |      | 6768    | 0.74  | F 127R77 | 4     |          |       | 4.6      | 485   | 183.60   | 1.16  | 5.4     | 415  | 157.09   | 1.4  | 6.2      | 360   | 136.16   | 1.6   | 6.7      | 336  | 127.27   | 1.7   | 7.7     | 290  | 110.01   | 1.9   | 7.0     | 322  | 199.70   | 1.7  |         |      | F 57    | 4     | 0.23    | 13514 |          |      | 5973    | 0.83 | F 107R77 | 4    | 7.6     | 296   | 183.60   | 1.9   | 8.8      | 254   | 157.06  | 2.2   | 10      | 220   | 136.16   | 2.6  | 11      | 205  | 127.27  | 2.7  | 13      | 178   | 110.01  | 3.2   |         |      | 5.7     | 393   | 148.98  | 1.0  |          |       | F 47    | 6    | 0.27    | 11484 | 5076     | 0.98 | F 97R57 | 4    | 6.6      | 341  | 129.14   | 1.1  | 7.0     | 319   | 120.70   | 1.2   |          |      | 8.1     | 275   | 104.33  | 1.4   |          |      | 7.3     | 306  | 189.39  | 1.2   | F 47    | 4    | 0.31     | 10104 | 4466    | 1.12 | F 87R57 | 4    | 8.0     | 281  | 174.13  | 1.3  | 9.3     | 241  | 148.98  | 1.6  | 11      | 209   | 129.14  | 1.8  | 12      | 195  | 120.70  | 1.9  |         |      | 13       | 168  | 104.33  | 2.2  |         |      | 16      | 143  | 88.65    | 2.6   | 1.1     | 2941 | 1300     | 1.0  | F 87R57  | 4    | 0.36     | 8751 | 3868    | 1.29 | F 77R37 | 4    | 1.2     | 2597 | 1148     | 1.1  | 1.4     | 2285 | 1010    | 1.2  | 1.6     | 2007 | 887     | 1.4  | 1.8     | 1765 | 780     | 1.6  | 2.1     | 1525 | 674      | 1.8  |         |      | 2.3     | 1378 | 609     | 2.0  |         |      | 2.7      | 1165 | 515     | 2.4  | 3.1     | 1023 | 452     | 2.8  | 1.7     | 1833 | 810      | 0.77 | F 77R37 | 4    | 0.41    | 7699 | 3403    | 1.47 | F 67R37 | 4    | 2.0    | 1606 | 710     | 0.88 | 2.3     | 1357 | 600   | 1.04 | 2.6     | 1188 | 525     | 1.19 |          |      | 3.0      | 1061 | 469     | 1.33 |         |      | 3.4     | 932  | 412      | 1.51 | 3.9     | 808  | 357     | 1.75 | 4.4     | 710  | 314     | 1.98 | 3.3      | 966  | 427     | 0.80 | F 67R37 | 4    | 0.47     | 6758 | 2987 | 1.67 | F 57R37 | 4    |         |      | 3.8     | 828  | 366     | 0.93 |          |      | 4.3     | 731  | 323      | 1.05 | 4.8     | 656  | 290    | 1.17 | 5.4     | 581  | 257      | 1.33 | 6.3     | 498  | 220     | 1.55 | 5.6     | 563  | 249      | 1.00 | F 57R37 | 4    | 0.46    | 6871 | 3037    | 1.07 | F 107R77 | 4    | 7.1     | 446  | 197   | 1.27 | 7.7    | 410  | 181      | 1.38 |         |      | 5.3     | 593  | 262  | 0.95 |         |      | 6.2      | 511  | 226      | 1.10 | 7.0     | 452  | 200      | 1.25 | 8.4  | 376  | 166     | 1.50 | 9.1     | 344  | 152     | 1.64 | 10       | 303  | 134   | 1.86 | 11     | 207  | 128.51   | 0.9  | F 37 | 4    | 0.61  | 5129 | 2267   | 0.79 | F 97R57 | 4    | 12   | 190  | 117.88 | 1.0  | 14     | 162  | 100.36  | 1.2  | 16  | 140  | 86.53  | 1.3  | 17      | 130  | 80.65 | 1.4  | 20     | 114  | 70.50    | 1.7  | 21    | 107  | 66.09   | 1.8  | 24     | 94   | 58.32   | 2.0 | 25   | 88   | 54.54  | 2.1  | 27      | 83  | 51.70  | 2.3  | 30      | 76  | 47.02  | 2.5  | 32     | 71  | 43.83  | 2.7  | 36    | 62   | 38.31   | 3.0  | 39     | 58  | 35.91  | 3.2  | 44    | 51  | 31.69  | 3.7  | 49    | 45  | 28.09  | 4.1 | 58    | 39  | 23.88 | 4.9  | 59    | 38   | 23.63   | 4.9 | 68    | 33  | 20.57  | 5.7 | 72    | 31  | 19.27  | 6.0 | 82    | 27  | 17.03 | 6.8 | 88    | 26  | 15.81 | 7.4 | 97    | 23  | 14.33 | 8.1 | 108   | 21  | 12.87 | 9.0 | 125   | 18  | 11.08 | 10  | 133   | 17  | 10.42 | 10  | 155   | 14  | 8.97  | 11  | 185   | 12  | 7.51  | 11  |       |     |       |     |       |     |       |     |       |     |       |     |       |     |       |     |       |     |       |     |       |     |       |     |       |     |       |     |       |     |       |     |       |    |       |     |       |    |       |     |      |    |       |     |      |    |       |     |     |    |       |     |     |    |       |    |     |    |       |    |     |    |      |    |     |    |
| 5.2           | 429        | 162.31   | 1.8                    |             |         | 6.0           | 376        | 142.40   | 2.1                    |             |         | 6.1      | 370   | 228.99        | 2.1  | F 67    | 4    | <b>0.37kW</b> |       |         |      |               |      |          |       | 7.1           | 315   | 195.39  | 2.4  | 8.1      | 276   | 170.85  | 2.8  | 8.6      | 262   | 162.31  | 2.9  | 9.8      | 230  | 142.40  | 3.4  | 4.3     | 527   | 199.70  | 1.07 | F 57     | 6    |         |      | 0.21    | 15312 |         |      | 6768    | 0.74  |          |       |          |       | F 127R77 | 4     | 4.6      | 485   | 183.60  | 1.16 | 5.4      | 415  | 157.09   | 1.4   | 6.2      | 360   | 136.16   | 1.6  | 6.7      | 336   | 127.27  | 1.7  | 7.7      | 290   | 110.01  | 1.9  | 7.0      | 322  |         |      |         |       | 199.70  | 1.7   |          |      | F 57    | 4    |          |      | 0.23    | 13514 | 5973     | 0.83  | F 107R77 | 4     | 7.6     | 296   | 183.60  | 1.9   | 8.8      | 254  | 157.06  | 2.2  | 10      | 220  | 136.16  | 2.6   | 11      | 205   |         |      | 127.27  | 2.7   | 13      | 178  |          |       |         |      | 110.01  | 3.2   | 5.7      | 393  |         |      | 148.98   | 1.0  | F 47     | 6    | 0.27    | 11484 | 5076     | 0.98  |          |      | F 97R57 | 4     | 6.6     | 341   |          |      | 129.14  | 1.1  | 7.0     | 319   |         |      | 120.70   | 1.2   | 8.1     | 275  |         |      | 104.33  | 1.4  | 7.3     | 306  | 189.39  | 1.2  | F 47    | 4    | 0.31    | 10104 | 4466    | 1.12 | F 87R57 | 4    | 8.0     | 281  |         |      | 174.13   | 1.3  | 9.3     | 241  |         |      | 148.98  | 1.6  | 11       | 209   | 129.14  | 1.8  | 12       | 195  |          |      | 120.70   | 1.9  | 13      | 168  |         |      | 104.33  | 2.2  | 16       | 143  | 88.65   | 2.6  | 1.1     | 2941 | 1300    | 1.0  | F 87R57 | 4    | 0.36    | 8751 | 3868    | 1.29 | F 77R37 | 4    | 1.2      | 2597 |         |      | 1148    | 1.1  | 1.4     | 2285 |         |      | 1010     | 1.2  | 1.6     | 2007 | 887     | 1.4  | 1.8     | 1765 | 780     | 1.6  | 2.1      | 1525 |         |      | 674     | 1.8  | 2.3     | 1378 |         |      | 609    | 2.0  | 2.7     | 1165 | 515     | 2.4  | 3.1   | 1023 | 452     | 2.8  | 1.7     | 1833 |          |      | 810      | 0.77 | F 77R37 | 4    |         |      | 0.41    | 7699 | 3403     | 1.47 | F 67R37 | 4    | 2.0     | 1606 | 710     | 0.88 | 2.3     | 1357 | 600      | 1.04 | 2.6     | 1188 |         |      | 525      | 1.19 | 3.0  | 1061 |         |      |         |      | 469     | 1.33 | 3.4     | 932  |          |      | 412     | 1.51 | 3.9      | 808  | 357     | 1.75 | 4.4    | 710  | 314     | 1.98 | 3.3      | 966  | 427     | 0.80 | F 67R37 | 4    | 0.47    | 6758 | 2987     | 1.67 |         |      | F 57R37 | 4    | 3.8     | 828  |          |      | 366     | 0.93 | 4.3   | 731  | 323    | 1.05 | 4.8      | 656  |         |      | 290     | 1.17 | 5.4  | 581  |         |      | 257      | 1.33 | 6.3      | 498  | 220     | 1.55 | 5.6      | 563  | 249  | 1.00 | F 57R37 | 4    | 0.46    | 6871 | 3037    | 1.07 | F 107R77 | 4    | 7.1   | 446  | 197    | 1.27 | 7.7      | 410  |      |      | 181   | 1.38 | 5.3    | 593  |         |      | 262  | 0.95 | 6.2    | 511  | 226    | 1.10 | 7.0     | 452  | 200 | 1.25 | 8.4    | 376  | 166     | 1.50 | 9.1   | 344  | 152    | 1.64 | 10       | 303  | 134   | 1.86 | 11      | 207  | 128.51 | 0.9  | F 37    | 4   | 0.61 | 5129 | 2267   | 0.79 | F 97R57 | 4   | 12     | 190  | 117.88  | 1.0 | 14     | 162  | 100.36 | 1.2 | 16     | 140  | 86.53 | 1.3  | 17      | 130  | 80.65  | 1.4 | 20     | 114  | 70.50 | 1.7 | 21     | 107  | 66.09 | 1.8 | 24     | 94  | 58.32 | 2.0 | 25    | 88   | 54.54 | 2.1  | 27      | 83  | 51.70 | 2.3 | 30     | 76  | 47.02 | 2.5 | 32     | 71  | 43.83 | 2.7 | 36    | 62  | 38.31 | 3.0 | 39    | 58  | 35.91 | 3.2 | 44    | 51  | 31.69 | 3.7 | 49    | 45  | 28.09 | 4.1 | 58    | 39  | 23.88 | 4.9 | 59    | 38  | 23.63 | 4.9 | 68    | 33  | 20.57 | 5.7 | 72    | 31  | 19.27 | 6.0 | 82    | 27  | 17.03 | 6.8 | 88    | 26  | 15.81 | 7.4 | 97    | 23  | 14.33 | 8.1 | 108   | 21  | 12.87 | 9.0 | 125   | 18  | 11.08 | 10  | 133   | 17  | 10.42 | 10  | 155   | 14  | 8.97  | 11  | 185   | 12  | 7.51  | 11 |       |     |       |    |       |     |      |    |       |     |      |    |       |     |     |    |       |     |     |    |       |    |     |    |       |    |     |    |      |    |     |    |
| 6.0           | 376        | 142.40   | 2.1                    |             |         | 6.1           | 370        | 228.99   | 2.1                    |             |         | F 67     | 4     | <b>0.37kW</b> |      |         |      |               |       |         |      | 7.1           | 315  |          |       | 195.39        | 2.4   | 8.1     | 276  | 170.85   | 2.8   | 8.6     | 262  | 162.31   | 2.9   | 9.8     | 230  | 142.40   | 3.4  | 4.3     | 527  | 199.70  | 1.07  | F 57    | 6    |          |      |         |      | 0.21    | 15312 |         |      | 6768    | 0.74  |          |       |          |       |          |       | F 127R77 | 4     | 4.6     | 485  | 183.60   | 1.16 | 5.4      | 415   | 157.09   | 1.4   | 6.2      | 360  | 136.16   | 1.6   | 6.7     | 336  | 127.27   | 1.7   | 7.7     | 290  | 110.01   | 1.9  |         |      |         |       | 7.0     | 322   |          |      |         |      |          |      | 199.70  | 1.7   | F 57     | 4     |          |       | 0.23    | 13514 | 5973    | 0.83  | F 107R77 | 4    | 7.6     | 296  | 183.60  | 1.9  | 8.8     | 254   | 157.06  | 2.2   |         |      | 10      | 220   | 136.16  | 2.6  |          |       |         |      | 11      | 205   | 127.27   | 2.7  |         |      | 13       | 178  |          |      | 110.01  | 3.2   | 5.7      | 393   |          |      |         |       | 148.98  | 1.0   |          |      | F 47    | 6    | 0.27    | 11484 |         |      | 5076     | 0.98  | F 97R57 | 4    |         |      | 6.6     | 341  | 129.14  | 1.1  | 7.0     | 319  |         |      | 120.70  | 1.2   | 8.1     | 275  |         |      | 104.33  | 1.4  |         |      | 7.3      | 306  | 189.39  | 1.2  |         |      | F 47    | 4    | 0.31     | 10104 | 4466    | 1.12 | F 87R57  | 4    |          |      | 8.0      | 281  | 174.13  | 1.3  |         |      | 9.3     | 241  | 148.98   | 1.6  | 11      | 209  | 129.14  | 1.8  | 12      | 195  |         |      | 120.70  | 1.9  | 13      | 168  |         |      | 104.33   | 2.2  |         |      | 16      | 143  | 88.65   | 2.6  |         |      | 1.1      | 2941 | 1300    | 1.0  | F 87R57 | 4    | 0.36    | 8751 | 3868    | 1.29 | F 77R37  | 4    |         |      | 1.2     | 2597 | 1148    | 1.1  |         |      | 1.4    | 2285 | 1010    | 1.2  | 1.6     | 2007 | 887   | 1.4  | 1.8     | 1765 | 780     | 1.6  |          |      | 2.1      | 1525 |         |      |         |      | 674     | 1.8  | 2.3      | 1378 |         |      | 609     | 2.0  | 2.7     | 1165 | 515     | 2.4  | 3.1      | 1023 | 452     | 2.8  |         |      | 1.7      | 1833 | 810  | 0.77 |         |      |         |      | F 77R37 | 4    | 0.41    | 7699 |          |      | 3403    | 1.47 | F 67R37  | 4    | 2.0     | 1606 | 710    | 0.88 | 2.3     | 1357 | 600      | 1.04 | 2.6     | 1188 |         |      | 525     | 1.19 | 3.0      | 1061 |         |      |         |      | 469     | 1.33 |          |      | 3.4     | 932  | 412   | 1.51 | 3.9    | 808  | 357      | 1.75 |         |      | 4.4     | 710  | 314  | 1.98 |         |      | 3.3      | 966  | 427      | 0.80 | F 67R37 | 4    | 0.47     | 6758 | 2987 | 1.67 |         |      | F 57R37 | 4    | 3.8     | 828  |          |      | 366   | 0.93 | 4.3    | 731  | 323      | 1.05 |      |      | 4.8   | 656  | 290    | 1.17 |         |      | 5.4  | 581  | 257    | 1.33 | 6.3    | 498  | 220     | 1.55 | 5.6 | 563  | 249    | 1.00 | F 57R37 | 4    | 0.46  | 6871 | 3037   | 1.07 | F 107R77 | 4    | 7.1   | 446  | 197     | 1.27 | 7.7    | 410  |         |     | 181  | 1.38 | 5.3    | 593  |         |     | 262    | 0.95 | 6.2     | 511 | 226    | 1.10 | 7.0    | 452 | 200    | 1.25 | 8.4   | 376  | 166     | 1.50 | 9.1    | 344 | 152    | 1.64 | 10    | 303 | 134    | 1.86 | 11    | 207 | 128.51 | 0.9 | F 37  | 4   | 0.61  | 5129 | 2267  | 0.79 | F 97R57 | 4   | 12    | 190 | 117.88 | 1.0 | 14    | 162 | 100.36 | 1.2 | 16    | 140 | 86.53 | 1.3 | 17    | 130 | 80.65 | 1.4 | 20    | 114 | 70.50 | 1.7 | 21    | 107 | 66.09 | 1.8 | 24    | 94  | 58.32 | 2.0 | 25    | 88  | 54.54 | 2.1 | 27    | 83  | 51.70 | 2.3 | 30    | 76  | 47.02 | 2.5 | 32    | 71  | 43.83 | 2.7 | 36    | 62  | 38.31 | 3.0 | 39    | 58  | 35.91 | 3.2 | 44    | 51  | 31.69 | 3.7 | 49    | 45  | 28.09 | 4.1 | 58    | 39  | 23.88 | 4.9 | 59    | 38  | 23.63 | 4.9 | 68    | 33  | 20.57 | 5.7 | 72    | 31 | 19.27 | 6.0 | 82    | 27 | 17.03 | 6.8 | 88   | 26 | 15.81 | 7.4 | 97   | 23 | 14.33 | 8.1 | 108 | 21 | 12.87 | 9.0 | 125 | 18 | 11.08 | 10 | 133 | 17 | 10.42 | 10 | 155 | 14 | 8.97 | 11 | 185 | 12 |
| 6.1           | 370        | 228.99   | 2.1                    | F 67        | 4       | <b>0.37kW</b> |            |          |                        |             |         |          |       |               |      |         |      |               |       |         |      |               |      |          |       |               |       |         |      |          |       |         |      |          |       |         |      |          |      |         |      |         |       |         |      |          |      |         |      |         |       |         |      |         |       |          |       |          |       |          |       |          |       |         |      |          |      |          |       |          |       |          |      |          |       |         |      |          |       |         |      |          |      |         |      |         |       |         |       |          |      |         |      |          |      |         |       |          |       |          |       |         |       |         |       |          |      |         |      |         |      |         |       |         |       |         |      |         |       |         |      |          |       |         |      |         |       |          |      |         |      |          |      |          |      |         |       |          |       |          |      |         |       |         |       |          |      |         |      |         |       |         |      |          |       |         |      |         |      |         |      |         |      |         |      |         |      |         |       |         |      |         |      |         |      |         |      |          |      |         |      |         |      |         |      |          |       |         |      |          |      |          |      |          |      |         |      |         |      |         |      |          |      |         |      |         |      |         |      |         |      |         |      |         |      |         |      |          |      |         |      |         |      |         |      |         |      |          |      |         |      |         |      |         |      |         |      |          |      |         |      |         |      |         |      |         |      |        |      |         |      |         |      |       |      |         |      |         |      |          |      |          |      |         |      |         |      |         |      |          |      |         |      |         |      |         |      |         |      |          |      |         |      |         |      |          |      |      |      |         |      |         |      |         |      |         |      |          |      |         |      |          |      |         |      |        |      |         |      |          |      |         |      |         |      |         |      |          |      |         |      |         |      |         |      |          |      |         |      |       |      |        |      |          |      |         |      |         |      |      |      |         |      |          |      |          |      |         |      |          |      |      |      |         |      |         |      |         |      |          |      |       |      |        |      |          |      |      |      |       |      |        |      |         |      |      |      |        |      |        |      |         |      |     |      |        |      |         |      |       |      |        |      |          |      |       |      |         |      |        |      |         |     |      |      |        |      |         |     |        |      |         |     |        |      |        |     |        |      |       |      |         |      |        |     |        |      |       |     |        |      |       |     |        |     |       |     |       |      |       |      |         |     |       |     |        |     |       |     |        |     |       |     |       |     |       |     |       |     |       |     |       |     |       |     |       |     |       |     |       |     |       |     |       |     |       |     |       |     |       |     |       |     |       |     |       |     |       |     |       |     |       |     |       |     |       |     |       |     |       |     |       |     |       |     |       |     |       |     |       |     |       |     |       |     |       |    |       |     |       |    |       |     |      |    |       |     |      |    |       |     |     |    |       |     |     |    |       |    |     |    |       |    |     |    |      |    |     |    |
| 7.1           | 315        | 195.39   | 2.4                    |             |         | 8.1           | 276        | 170.85   | 2.8                    | 8.6         | 262     |          |       | 162.31        | 2.9  |         |      | 9.8           | 230   |         |      | 142.40        | 3.4  | 4.3      | 527   | 199.70        | 1.07  | F 57    | 6    | 0.21     | 15312 | 6768    | 0.74 | F 127R77 | 4     | 4.6     | 485  | 183.60   | 1.16 | 5.4     | 415  | 157.09  | 1.4   |         |      |          |      |         |      | 6.2     | 360   | 136.16  | 1.6  | 6.7     | 336   |          |       | 127.27   | 1.7   |          |       |          |       | 7.7     | 290  | 110.01   | 1.9  | 7.0      | 322   | 199.70   | 1.7   | F 57     | 4    | 0.23     | 13514 | 5973    | 0.83 | F 107R77 | 4     | 7.6     | 296  | 183.60   | 1.9  | 8.8     | 254  |         |       | 157.06  | 2.2   | 10       | 220  |         |      |          |      | 136.16  | 2.6   |          |       |          |       | 11      | 205   | 127.27  | 2.7   |          |      | 13      | 178  | 110.01  | 3.2  | 5.7     | 393   | 148.98  | 1.0   | F 47    | 6    | 0.27    | 11484 | 5076    | 0.98 | F 97R57  | 4     |         |      | 6.6     | 341   | 129.14   | 1.1  |         |      | 7.0      | 319  |          |      | 120.70  | 1.2   | 8.1      | 275   | 104.33   | 1.4  |         |       | 7.3     | 306   | 189.39   | 1.2  |         |      | F 47    | 4     |         |      | 0.31     | 10104 |         |      |         |      | 4466    | 1.12 | F 87R57 | 4    | 8.0     | 281  |         |      | 174.13  | 1.3   | 9.3     | 241  |         |      | 148.98  | 1.6  | 11      | 209  | 129.14   | 1.8  | 12      | 195  | 120.70  | 1.9  |         |      | 13       | 168   | 104.33  | 2.2  |          |      |          |      | 16       | 143  | 88.65   | 2.6  |         |      | 1.1     | 2941 | 1300     | 1.0  | F 87R57 | 4    | 0.36    | 8751 | 3868    | 1.29 |         |      | F 77R37 | 4    | 1.2     | 2597 |         |      | 1148     | 1.1  | 1.4     | 2285 | 1010    | 1.2  | 1.6     | 2007 | 887     | 1.4  | 1.8      | 1765 | 780     | 1.6  |         |      | 2.1     | 1525 | 674     | 1.8  |          |      |         |      | 2.3     | 1378 | 609     | 2.0  |         |      | 2.7    | 1165 | 515     | 2.4  | 3.1     | 1023 | 452   | 2.8  | 1.7     | 1833 | 810     | 0.77 | F 77R37  | 4    | 0.41     | 7699 |         |      | 3403    | 1.47 | F 67R37 | 4    | 2.0      | 1606 |         |      | 710     | 0.88 | 2.3     | 1357 | 600     | 1.04 | 2.6      | 1188 | 525     | 1.19 |         |      | 3.0      | 1061 | 469  | 1.33 |         |      | 3.4     | 932  |         |      | 412     | 1.51 | 3.9      | 808  | 357     | 1.75 |          |      | 4.4     | 710  | 314    | 1.98 | 3.3     | 966  | 427      | 0.80 | F 67R37 | 4    |         |      | 0.47    | 6758 | 2987     | 1.67 |         |      |         |      | F 57R37 | 4    |          |      | 3.8     | 828  | 366   | 0.93 | 4.3    | 731  | 323      | 1.05 | 4.8     | 656  | 290     | 1.17 | 5.4  | 581  | 257     | 1.33 | 6.3      | 498  | 220      | 1.55 |         |      | 5.6      | 563  | 249  | 1.00 |         |      |         |      | F 57R37 | 4    |          |      | 0.46  | 6871 | 3037   | 1.07 | F 107R77 | 4    |      |      | 7.1   | 446  | 197    | 1.27 |         |      | 7.7  | 410  | 181    | 1.38 | 5.3    | 593  | 262     | 0.95 | 6.2 | 511  | 226    | 1.10 |         |      | 7.0   | 452  | 200    | 1.25 |          |      | 8.4   | 376  | 166     | 1.50 | 9.1    | 344  |         |     | 152  | 1.64 | 10     | 303  |         |     | 134    | 1.86 | 11      | 207 | 128.51 | 0.9  | F 37   | 4   | 0.61   | 5129 | 2267  | 0.79 | F 97R57 | 4    | 12     | 190 | 117.88 | 1.0  | 14    | 162 | 100.36 | 1.2  | 16    | 140 | 86.53  | 1.3 |       |     | 17    | 130  | 80.65 | 1.4  |         |     | 20    | 114 | 70.50  | 1.7 | 21    | 107 | 66.09  | 1.8 | 24    | 94  | 58.32 | 2.0 | 25    | 88  | 54.54 | 2.1 | 27    | 83  | 51.70 | 2.3 | 30    | 76  | 47.02 | 2.5 | 32    | 71  | 43.83 | 2.7 | 36    | 62  | 38.31 | 3.0 | 39    | 58  | 35.91 | 3.2 | 44    | 51  | 31.69 | 3.7 | 49    | 45  | 28.09 | 4.1 | 58    | 39  | 23.88 | 4.9 | 59    | 38  | 23.63 | 4.9 | 68    | 33  | 20.57 | 5.7 | 72    | 31  | 19.27 | 6.0 | 82    | 27  | 17.03 | 6.8 | 88    | 26  | 15.81 | 7.4 | 97    | 23  | 14.33 | 8.1 | 108   | 21 | 12.87 | 9.0 | 125   | 18 | 11.08 | 10  | 133  | 17 | 10.42 | 10  | 155  | 14 | 8.97  | 11  | 185 | 12 | 7.51  | 11  |     |    |       |    |     |    |       |    |     |    |      |    |     |    |
| 8.1           | 276        | 170.85   | 2.8                    |             |         | 8.6           | 262        | 162.31   | 2.9                    | 9.8         | 230     |          |       | 142.40        | 3.4  |         |      | 4.3           | 527   | 199.70  | 1.07 | F 57          | 6    | 0.21     | 15312 | 6768          | 0.74  |         |      | F 127R77 | 4     | 4.6     | 485  |          |       | 183.60  | 1.16 | 5.4      | 415  | 157.09  | 1.4  | 6.2     | 360   |         |      |          |      | 136.16  | 1.6  | 6.7     | 336   | 127.27  | 1.7  | 7.7     | 290   | 110.01   | 1.9   | 7.0      | 322   |          |       |          |       | 199.70  | 1.7  | F 57     | 4    | 0.23     | 13514 | 5973     | 0.83  |          |      | F 107R77 | 4     | 7.6     | 296  |          |       | 183.60  | 1.9  | 8.8      | 254  | 157.06  | 2.2  | 10      | 220   | 136.16  | 2.6   | 11       | 205  |         |      | 127.27   | 2.7  | 13      | 178   |          |       |          |       | 110.01  | 3.2   | 5.7     | 393   |          |      | 148.98  | 1.0  | F 47    | 6    | 0.27    | 11484 | 5076    | 0.98  |         |      | F 97R57 | 4     | 6.6     | 341  |          |       | 129.14  | 1.1  | 7.0     | 319   | 120.70   | 1.2  | 8.1     | 275  | 104.33   | 1.4  |          |      | 7.3     | 306   | 189.39   | 1.2   | F 47     | 4    |         |       | 0.31    | 10104 | 4466     | 1.12 |         |      |         |       | F 87R57 | 4    | 8.0      | 281   |         |      | 174.13  | 1.3  | 9.3     | 241  |         |      | 148.98  | 1.6  |         |      | 11      | 209   | 129.14  | 1.8  |         |      | 12      | 195  | 120.70  | 1.9  | 13       | 168  | 104.33  | 2.2  | 16      | 143  |         |      | 88.65    | 2.6   | 1.1     | 2941 |          |      | 1300     | 1.0  | F 87R57  | 4    | 0.36    | 8751 | 3868    | 1.29 | F 77R37 | 4    | 1.2      | 2597 |         |      | 1148    | 1.1  | 1.4     | 2285 |         |      |         |      | 1010    | 1.2  |         |      | 1.6      | 2007 | 887     | 1.4  | 1.8     | 1765 | 780     | 1.6  | 2.1     | 1525 | 674      | 1.8  | 2.3     | 1378 |         |      | 609     | 2.0  | 2.7     | 1165 |          |      | 515     | 2.4  | 3.1     | 1023 | 452     | 2.8  | 1.7     | 1833 | 810    | 0.77 | F 77R37 | 4    | 0.41    | 7699 | 3403  | 1.47 | F 67R37 | 4    | 2.0     | 1606 |          |      | 710      | 0.88 |         |      | 2.3     | 1357 |         |      | 600      | 1.04 |         |      | 2.6     | 1188 | 525     | 1.19 | 3.0     | 1061 | 469      | 1.33 | 3.4     | 932  | 412     | 1.51 | 3.9      | 808  | 357  | 1.75 | 4.4     | 710  | 314     | 1.98 |         |      | 3.3     | 966  | 427      | 0.80 | F 67R37 | 4    |          |      | 0.47    | 6758 | 2987   | 1.67 | F 57R37 | 4    | 3.8      | 828  |         |      |         |      | 366     | 0.93 | 4.3      | 731  | 323     | 1.05 |         |      |         |      | 4.8      | 656  | 290     | 1.17 | 5.4   | 581  | 257    | 1.33 | 6.3      | 498  | 220     | 1.55 | 5.6     | 563  | 249  | 1.00 | F 57R37 | 4    | 0.46     | 6871 | 3037     | 1.07 |         |      | F 107R77 | 4    | 7.1  | 446  |         |      |         |      |         |      |          |      | 197   | 1.27 | 7.7    | 410  |          |      | 181  | 1.38 | 5.3   | 593  | 262    | 0.95 | 6.2     | 511  | 226  | 1.10 | 7.0    | 452  | 200    | 1.25 | 8.4     | 376  | 166 | 1.50 | 9.1    | 344  |         |      | 152   | 1.64 | 10     | 303  |          |      | 134   | 1.86 | 11      | 207  | 128.51 | 0.9  |         |     | F 37 | 4    | 0.61   | 5129 |         |     | 2267   | 0.79 | F 97R57 | 4   | 12     | 190  |        |     | 117.88 | 1.0  | 14    | 162  |         |      | 100.36 | 1.2 | 16     | 140  | 86.53 | 1.3 | 17     | 130  | 80.65 | 1.4 | 20     | 114 |       |     | 70.50 | 1.7  | 21    | 107  |         |     | 66.09 | 1.8 | 24     | 94  | 58.32 | 2.0 | 25     | 88  | 54.54 | 2.1 | 27    | 83  | 51.70 | 2.3 | 30    | 76  | 47.02 | 2.5 | 32    | 71  | 43.83 | 2.7 | 36    | 62  | 38.31 | 3.0 | 39    | 58  | 35.91 | 3.2 | 44    | 51  | 31.69 | 3.7 | 49    | 45  | 28.09 | 4.1 | 58    | 39  | 23.88 | 4.9 | 59    | 38  | 23.63 | 4.9 | 68    | 33  | 20.57 | 5.7 | 72    | 31  | 19.27 | 6.0 | 82    | 27  | 17.03 | 6.8 | 88    | 26  | 15.81 | 7.4 | 97    | 23  | 14.33 | 8.1 | 108   | 21  | 12.87 | 9.0 | 125   | 18  | 11.08 | 10 | 133   | 17  | 10.42 | 10 | 155   | 14  | 8.97 | 11 | 185   | 12  | 7.51 | 11 |       |     |     |    |       |     |     |    |       |    |     |    |       |    |     |    |      |    |     |    |
| 8.6           | 262        | 162.31   | 2.9                    |             |         | 9.8           | 230        | 142.40   | 3.4                    | 4.3         | 527     |          |       | 199.70        | 1.07 | F 57    | 6    | 0.21          | 15312 | 6768    | 0.74 |               |      | F 127R77 | 4     | 4.6           | 485   |         |      |          |       | 183.60  | 1.16 |          |       | 5.4     | 415  | 157.09   | 1.4  | 6.2     | 360  | 136.16  | 1.6   |         |      | 6.7      | 336  | 127.27  | 1.7  | 7.7     | 290   | 110.01  | 1.9  | 7.0     | 322   | 199.70   | 1.7   | F 57     | 4     | 0.23     | 13514 |          |       | 5973    | 0.83 |          |      | F 107R77 | 4     | 7.6      | 296   |          |      |          |       | 183.60  | 1.9  |          |       | 8.8     | 254  | 157.06   | 2.2  | 10      | 220  | 136.16  | 2.6   | 11      | 205   | 127.27   | 2.7  | 13      | 178  | 110.01   | 3.2  | 5.7     | 393   |          |       | 148.98   | 1.0   | F 47    | 6     | 0.27    | 11484 |          |      | 5076    | 0.98 |         |      | F 97R57 | 4     | 6.6     | 341   |         |      |         |       | 129.14  | 1.1  |          |       | 7.0     | 319  | 120.70  | 1.2   | 8.1      | 275  | 104.33  | 1.4  | 7.3      | 306  | 189.39   | 1.2  | F 47    | 4     | 0.31     | 10104 |          |      | 4466    | 1.12  | F 87R57 | 4     | 8.0      | 281  |         |      |         |       |         |      | 174.13   | 1.3   |         |      | 9.3     | 241  | 148.98  | 1.6  |         |      | 11      | 209  | 129.14  | 1.8  | 12      | 195   | 120.70  | 1.9  | 13      | 168  | 104.33  | 2.2  | 16      | 143  | 88.65    | 2.6  | 1.1     | 2941 | 1300    | 1.0  |         |      | F 87R57  | 4     | 0.36    | 8751 |          |      | 3868     | 1.29 |          |      | F 77R37 | 4    | 1.2     | 2597 |         |      | 1148     | 1.1  |         |      | 1.4     | 2285 | 1010    | 1.2  | 1.6     | 2007 |         |      | 887     | 1.4  | 1.8     | 1765 | 780      | 1.6  | 2.1     | 1525 | 674     | 1.8  | 2.3     | 1378 | 609     | 2.0  | 2.7      | 1165 | 515     | 2.4  |         |      | 3.1     | 1023 | 452     | 2.8  |          |      | 1.7     | 1833 | 810     | 0.77 | F 77R37 | 4    | 0.41    | 7699 | 3403   | 1.47 |         |      | F 67R37 | 4    | 2.0   | 1606 |         |      | 710     | 0.88 |          |      | 2.3      | 1357 | 600     | 1.04 | 2.6     | 1188 |         |      | 525      | 1.19 | 3.0     | 1061 | 469     | 1.33 | 3.4     | 932  | 412     | 1.51 | 3.9      | 808  | 357     | 1.75 | 4.4     | 710  | 314      | 1.98 | 3.3  | 966  | 427     | 0.80 | F 67R37 | 4    |         |      | 0.47    | 6758 | 2987     | 1.67 |         |      |          |      | F 57R37 | 4    | 3.8    | 828  |         |      | 366      | 0.93 |         |      | 4.3     | 731  | 323     | 1.05 | 4.8      | 656  | 290     | 1.17 | 5.4     | 581  |         |      | 257      | 1.33 | 6.3     | 498  | 220   | 1.55 | 5.6    | 563  | 249      | 1.00 | F 57R37 | 4    | 0.46    | 6871 | 3037 | 1.07 |         |      | F 107R77 | 4    | 7.1      | 446  |         |      |          |      | 197  | 1.27 | 7.7     | 410  |         |      |         |      | 181      | 1.38 | 5.3   | 593  | 262    | 0.95 |          |      | 6.2  | 511  | 226   | 1.10 | 7.0    | 452  | 200     | 1.25 | 8.4  | 376  | 166    | 1.50 | 9.1    | 344  | 152     | 1.64 | 10  | 303  | 134    | 1.86 |         |      | 11    | 207  | 128.51 | 0.9  |          |      | F 37  | 4    | 0.61    | 5129 | 2267   | 0.79 | F 97R57 | 4   |      |      | 12     | 190  | 117.88  | 1.0 | 14     | 162  |         |     | 100.36 | 1.2  |        |     | 16     | 140  | 86.53 | 1.3  |         |      | 17     | 130 | 80.65  | 1.4  | 20    | 114 | 70.50  | 1.7  | 21    | 107 | 66.09  | 1.8 |       |     | 24    | 94   | 58.32 | 2.0  |         |     | 25    | 88  | 54.54  | 2.1 | 27    | 83  | 51.70  | 2.3 | 30    | 76  | 47.02 | 2.5 | 32    | 71  | 43.83 | 2.7 | 36    | 62  | 38.31 | 3.0 | 39    | 58  | 35.91 | 3.2 | 44    | 51  | 31.69 | 3.7 | 49    | 45  | 28.09 | 4.1 | 58    | 39  | 23.88 | 4.9 | 59    | 38  | 23.63 | 4.9 | 68    | 33  | 20.57 | 5.7 | 72    | 31  | 19.27 | 6.0 | 82    | 27  | 17.03 | 6.8 | 88    | 26  | 15.81 | 7.4 | 97    | 23  | 14.33 | 8.1 | 108   | 21  | 12.87 | 9.0 | 125   | 18  | 11.08 | 10  | 133   | 17  | 10.42 | 10  | 155   | 14 | 8.97  | 11  | 185   | 12 | 7.51  | 11  |      |    |       |     |      |    |       |     |     |    |       |     |     |    |       |    |     |    |       |    |     |    |      |    |     |    |
| 9.8           | 230        | 142.40   | 3.4                    |             |         | 4.3           | 527        | 199.70   | 1.07                   | F 57        | 6       | 0.21     | 15312 | 6768          | 0.74 |         |      | F 127R77      | 4     | 4.6     | 485  |               |      |          |       | 183.60        | 1.16  |         |      |          |       | 5.4     | 415  |          |       | 157.09  | 1.4  | 6.2      | 360  | 136.16  | 1.6  | 6.7     | 336   | 127.27  | 1.7  | 7.7      | 290  | 110.01  | 1.9  | 7.0     | 322   | 199.70  | 1.7  | F 57    | 4     | 0.23     | 13514 |          |       | 5973     | 0.83  | F 107R77 | 4     | 7.6     | 296  |          |      |          |       | 183.60   | 1.9   |          |      |          |       | 8.8     | 254  |          |       | 157.06  | 2.2  | 10       | 220  | 136.16  | 2.6  | 11      | 205   | 127.27  | 2.7   | 13       | 178  | 110.01  | 3.2  | 5.7      | 393  | 148.98  | 1.0   | F 47     | 6     | 0.27     | 11484 |         |       | 5076    | 0.98  | F 97R57  | 4    | 6.6     | 341  |         |      |         |       | 129.14  | 1.1   |         |      |         |       | 7.0     | 319  |          |       | 120.70  | 1.2  | 8.1     | 275   | 104.33   | 1.4  | 7.3     | 306  | 189.39   | 1.2  | F 47     | 4    |         |       | 0.31     | 10104 |          |      | 4466    | 1.12  |         |       | F 87R57  | 4    | 8.0     | 281  |         |       |         |      | 174.13   | 1.3   | 9.3     | 241  | 148.98  | 1.6  | 11      | 209  |         |      | 129.14  | 1.8  | 12      | 195  | 120.70  | 1.9   | 13      | 168  | 104.33  | 2.2  | 16      | 143  | 88.65   | 2.6  | 1.1      | 2941 | 1300    | 1.0  | F 87R57 | 4    | 0.36    | 8751 |          |       | 3868    | 1.29 | F 77R37  | 4    | 1.2      | 2597 |          |      |         |      | 1148    | 1.1  |         |      | 1.4      | 2285 |         |      | 1010    | 1.2  | 1.6     | 2007 | 887     | 1.4  |         |      | 1.8     | 1765 | 780     | 1.6  | 2.1      | 1525 | 674     | 1.8  | 2.3     | 1378 | 609     | 2.0  | 2.7     | 1165 | 515      | 2.4  | 3.1     | 1023 | 452     | 2.8  | 1.7     | 1833 | 810     | 0.77 | F 77R37  | 4    | 0.41    | 7699 | 3403    | 1.47 |         |      | F 67R37 | 4    | 2.0    | 1606 |         |      |         |      | 710   | 0.88 |         |      | 2.3     | 1357 |          |      | 600      | 1.04 | 2.6     | 1188 | 525     | 1.19 |         |      | 3.0      | 1061 | 469     | 1.33 | 3.4     | 932  | 412     | 1.51 | 3.9     | 808  | 357      | 1.75 | 4.4     | 710  | 314     | 1.98 | 3.3      | 966  | 427  | 0.80 | F 67R37 | 4    |         |      | 0.47    | 6758 | 2987    | 1.67 | F 57R37  | 4    |         |      | 3.8      | 828  |         |      | 366    | 0.93 |         |      | 4.3      | 731  |         |      | 323     | 1.05 | 4.8     | 656  | 290      | 1.17 | 5.4     | 581  | 257     | 1.33 |         |      | 6.3      | 498  | 220     | 1.55 | 5.6   | 563  | 249    | 1.00 | F 57R37  | 4    |         |      | 0.46    | 6871 | 3037 | 1.07 |         |      |          |      | F 107R77 | 4    | 7.1     | 446  |          |      | 197  | 1.27 | 7.7     | 410  | 181     | 1.38 |         |      | 5.3      | 593  | 262   | 0.95 | 6.2    | 511  |          |      | 226  | 1.10 | 7.0   | 452  | 200    | 1.25 | 8.4     | 376  | 166  | 1.50 | 9.1    | 344  | 152    | 1.64 | 10      | 303  | 134 | 1.86 | 11     | 207  | 128.51  | 0.9  | F 37  | 4    | 0.61   | 5129 | 2267     | 0.79 |       |      | F 97R57 | 4    | 12     | 190  |         |     |      |      | 117.88 | 1.0  | 14      | 162 | 100.36 | 1.2  |         |     | 16     | 140  |        |     | 86.53  | 1.3  | 17    | 130  |         |      | 80.65  | 1.4 | 20     | 114  | 70.50 | 1.7 | 21     | 107  | 66.09 | 1.8 | 24     | 94  | 58.32 | 2.0 | 25    | 88   | 54.54 | 2.1  | 27      | 83  | 51.70 | 2.3 | 30     | 76  | 47.02 | 2.5 | 32     | 71  | 43.83 | 2.7 | 36    | 62  | 38.31 | 3.0 | 39    | 58  | 35.91 | 3.2 | 44    | 51  | 31.69 | 3.7 | 49    | 45  | 28.09 | 4.1 | 58    | 39  | 23.88 | 4.9 | 59    | 38  | 23.63 | 4.9 | 68    | 33  | 20.57 | 5.7 | 72    | 31  | 19.27 | 6.0 | 82    | 27  | 17.03 | 6.8 | 88    | 26  | 15.81 | 7.4 | 97    | 23  | 14.33 | 8.1 | 108   | 21  | 12.87 | 9.0 | 125   | 18  | 11.08 | 10  | 133   | 17  | 10.42 | 10  | 155   | 14  | 8.97  | 11  | 185   | 12  | 7.51  | 11 |       |     |       |    |       |     |      |    |       |     |      |    |       |     |     |    |       |     |     |    |       |    |     |    |       |    |     |    |      |    |     |    |
| 4.3           | 527        | 199.70   | 1.07                   | F 57        | 6       | 0.21          | 15312      | 6768     | 0.74                   |             |         | F 127R77 | 4     |               |      |         |      |               |       |         |      |               |      |          |       |               |       |         |      |          |       |         |      |          |       |         |      |          |      |         |      |         |       |         |      |          |      |         |      |         |       |         |      |         |       |          |       |          |       |          |       |          |       |         |      |          |      |          |       |          |       |          |      |          |       |         |      |          |       |         |      |          |      |         |      |         |       |         |       |          |      |         |      |          |      |         |       |          |       |          |       |         |       |         |       |          |      |         |      |         |      |         |       |         |       |         |      |         |       |         |      |          |       |         |      |         |       |          |      |         |      |          |      |          |      |         |       |          |       |          |      |         |       |         |       |          |      |         |      |         |       |         |      |          |       |         |      |         |      |         |      |         |      |         |      |         |      |         |       |         |      |         |      |         |      |         |      |          |      |         |      |         |      |         |      |          |       |         |      |          |      |          |      |          |      |         |      |         |      |         |      |          |      |         |      |         |      |         |      |         |      |         |      |         |      |         |      |          |      |         |      |         |      |         |      |         |      |          |      |         |      |         |      |         |      |         |      |          |      |         |      |         |      |         |      |         |      |        |      |         |      |         |      |       |      |         |      |         |      |          |      |          |      |         |      |         |      |         |      |          |      |         |      |         |      |         |      |         |      |          |      |         |      |         |      |          |      |      |      |         |      |         |      |         |      |         |      |          |      |         |      |          |      |         |      |        |      |         |      |          |      |         |      |         |      |         |      |          |      |         |      |         |      |         |      |          |      |         |      |       |      |        |      |          |      |         |      |         |      |      |      |         |      |          |      |          |      |         |      |          |      |      |      |         |      |         |      |         |      |          |      |       |      |        |      |          |      |      |      |       |      |        |      |         |      |      |      |        |      |        |      |         |      |     |      |        |      |         |      |       |      |        |      |          |      |       |      |         |      |        |      |         |     |      |      |        |      |         |     |        |      |         |     |        |      |        |     |        |      |       |      |         |      |        |     |        |      |       |     |        |      |       |     |        |     |       |     |       |      |       |      |         |     |       |     |        |     |       |     |        |     |       |     |       |     |       |     |       |     |       |     |       |     |       |     |       |     |       |     |       |     |       |     |       |     |       |     |       |     |       |     |       |     |       |     |       |     |       |     |       |     |       |     |       |     |       |     |       |     |       |     |       |     |       |     |       |     |       |     |       |     |       |     |       |     |       |    |       |     |       |    |       |     |      |    |       |     |      |    |       |     |     |    |       |     |     |    |       |    |     |    |       |    |     |    |      |    |     |    |
| 4.6           | 485        | 183.60   | 1.16                   |             |         | 5.4           | 415        | 157.09   | 1.4                    |             |         |          |       | 6.2           | 360  |         |      |               |       | 136.16  | 1.6  |               |      |          |       | 6.7           | 336   | 127.27  | 1.7  |          |       | 7.7     | 290  | 110.01   | 1.9   | 7.0     | 322  | 199.70   | 1.7  | F 57    | 4    | 0.23    | 13514 | 5973    | 0.83 | F 107R77 | 4    | 7.6     | 296  | 183.60  | 1.9   | 8.8     | 254  |         |       | 157.06   | 2.2   |          |       | 10       | 220   |          |       | 136.16  | 2.6  |          |      |          |       | 11       | 205   | 127.27   | 2.7  |          |       | 13      | 178  | 110.01   | 3.2   | 5.7     | 393  | 148.98   | 1.0  | F 47    | 6    | 0.27    | 11484 | 5076    | 0.98  | F 97R57  | 4    | 6.6     | 341  | 129.14   | 1.1  | 7.0     | 319   |          |       | 120.70   | 1.2   |         |       | 8.1     | 275   |          |      | 104.33  | 1.4  |         |      |         |       | 7.3     | 306   | 189.39  | 1.2  |         |       | F 47    | 4    | 0.31     | 10104 | 4466    | 1.12 | F 87R57 | 4     | 8.0      | 281  | 174.13  | 1.3  | 9.3      | 241  |          |      |         |       | 148.98   | 1.6   |          |      | 11      | 209   |         |       |          |      | 129.14  | 1.8  | 12      | 195   |         |      | 120.70   | 1.9   | 13      | 168  | 104.33  | 2.2  | 16      | 143  | 88.65   | 2.6  | 1.1     | 2941 | 1300    | 1.0  | F 87R57 | 4     | 0.36    | 8751 | 3868    | 1.29 | F 77R37 | 4    | 1.2     | 2597 | 1148     | 1.1  | 1.4     | 2285 |         |      | 1010    | 1.2  |          |       | 1.6     | 2007 |          |      | 887      | 1.4  |          |      |         |      | 1.8     | 1765 |         |      | 780      | 1.6  | 2.1     | 1525 | 674     | 1.8  | 2.3     | 1378 | 609     | 2.0  | 2.7     | 1165 | 515     | 2.4  | 3.1     | 1023 | 452      | 2.8  | 1.7     | 1833 | 810     | 0.77 | F 77R37 | 4    | 0.41    | 7699 | 3403     | 1.47 | F 67R37 | 4    | 2.0     | 1606 | 710     | 0.88 | 2.3     | 1357 |          |      | 600     | 1.04 | 2.6     | 1188 |         |      |         |      | 525    | 1.19 |         |      |         |      | 3.0   | 1061 |         |      | 469     | 1.33 | 3.4      | 932  | 412      | 1.51 | 3.9     | 808  | 357     | 1.75 | 4.4     | 710  | 314      | 1.98 | 3.3     | 966  | 427     | 0.80 | F 67R37 | 4    | 0.47    | 6758 | 2987     | 1.67 | F 57R37 | 4    | 3.8     | 828  | 366      | 0.93 | 4.3  | 731  |         |      |         |      | 323     | 1.05 | 4.8     | 656  |          |      |         |      | 290      | 1.17 |         |      | 5.4    | 581  |         |      | 257      | 1.33 | 6.3     | 498  | 220     | 1.55 | 5.6     | 563  | 249      | 1.00 | F 57R37 | 4    | 0.46    | 6871 | 3037    | 1.07 | F 107R77 | 4    | 7.1     | 446  | 197   | 1.27 | 7.7    | 410  |          |      |         |      | 181     | 1.38 | 5.3  | 593  |         |      |          |      |          |      | 262     | 0.95 |          |      | 6.2  | 511  | 226     | 1.10 | 7.0     | 452  | 200     | 1.25 | 8.4      | 376  | 166   | 1.50 | 9.1    | 344  | 152      | 1.64 | 10   | 303  | 134   | 1.86 | 11     | 207  | 128.51  | 0.9  | F 37 | 4    | 0.61   | 5129 | 2267   | 0.79 | F 97R57 | 4    | 12  | 190  | 117.88 | 1.0  | 14      | 162  |       |      | 100.36 | 1.2  | 16       | 140  |       |      |         |      | 86.53  | 1.3  |         |     |      |      | 17     | 130  | 80.65   | 1.4 | 20     | 114  |         |     | 70.50  | 1.7  | 21     | 107 | 66.09  | 1.8  | 24    | 94   | 58.32   | 2.0  | 25     | 88  | 54.54  | 2.1  | 27    | 83  | 51.70  | 2.3  | 30    | 76  | 47.02  | 2.5 | 32    | 71  | 43.83 | 2.7  | 36    | 62   | 38.31   | 3.0 | 39    | 58  | 35.91  | 3.2 | 44    | 51  | 31.69  | 3.7 | 49    | 45  | 28.09 | 4.1 | 58    | 39  | 23.88 | 4.9 | 59    | 38  | 23.63 | 4.9 | 68    | 33  | 20.57 | 5.7 | 72    | 31  | 19.27 | 6.0 | 82    | 27  | 17.03 | 6.8 | 88    | 26  | 15.81 | 7.4 | 97    | 23  | 14.33 | 8.1 | 108   | 21  | 12.87 | 9.0 | 125   | 18  | 11.08 | 10  | 133   | 17  | 10.42 | 10  | 155   | 14  | 8.97  | 11  | 185   | 12  | 7.51  | 11  |       |     |       |     |       |     |       |     |       |     |       |     |       |    |       |     |       |    |       |     |      |    |       |     |      |    |       |     |     |    |       |     |     |    |       |    |     |    |       |    |     |    |      |    |     |    |
| 5.4           | 415        | 157.09   | 1.4                    |             |         | 6.2           | 360        | 136.16   | 1.6                    |             |         |          |       | 6.7           | 336  |         |      |               |       | 127.27  | 1.7  | 7.7           | 290  |          |       | 110.01        | 1.9   | 7.0     | 322  | 199.70   | 1.7   | F 57    | 4    | 0.23     | 13514 | 5973    | 0.83 | F 107R77 | 4    |         |      | 7.6     | 296   | 183.60  | 1.9  |          |      | 8.8     | 254  | 157.06  | 2.2   | 10      | 220  |         |       | 136.16   | 2.6   |          |       | 11       | 205   |          |       | 127.27  | 2.7  | 13       | 178  |          |       | 110.01   | 3.2   | 5.7      | 393  | 148.98   | 1.0   | F 47    | 6    | 0.27     | 11484 | 5076    | 0.98 | F 97R57  | 4    |         |      | 6.6     | 341   | 129.14  | 1.1   |          |      | 7.0     | 319  | 120.70   | 1.2  | 8.1     | 275   |          |       | 104.33   | 1.4   |         |       | 7.3     | 306   |          |      | 189.39  | 1.2  | F 47    | 4    |         |       | 0.31    | 10104 | 4466    | 1.12 | F 87R57 | 4     |         |      | 8.0      | 281   | 174.13  | 1.3  |         |       | 9.3      | 241  | 148.98  | 1.6  | 11       | 209  |          |      |         |       | 129.14   | 1.8   | 12       | 195  | 120.70  | 1.9   |         |       |          |      | 13      | 168  | 104.33  | 2.2   | 16      | 143  | 88.65    | 2.6   | 1.1     | 2941 | 1300    | 1.0  | F 87R57 | 4    | 0.36    | 8751 | 3868    | 1.29 | F 77R37 | 4    |         |       | 1.2     | 2597 | 1148    | 1.1  |         |      | 1.4     | 2285 | 1010     | 1.2  | 1.6     | 2007 |         |      | 887     | 1.4  |          |       | 1.8     | 1765 |          |      | 780      | 1.6  | 2.1      | 1525 |         |      | 674     | 1.8  | 2.3     | 1378 | 609      | 2.0  | 2.7     | 1165 | 515     | 2.4  | 3.1     | 1023 | 452     | 2.8  | 1.7     | 1833 | 810     | 0.77 | F 77R37 | 4    | 0.41     | 7699 | 3403    | 1.47 | F 67R37 | 4    |         |      | 2.0     | 1606 | 710      | 0.88 |         |      | 2.3     | 1357 | 600     | 1.04 | 2.6     | 1188 |          |      | 525     | 1.19 | 3.0     | 1061 |         |      |         |      | 469    | 1.33 | 3.4     | 932  |         |      | 412   | 1.51 | 3.9     | 808  | 357     | 1.75 | 4.4      | 710  | 314      | 1.98 | 3.3     | 966  | 427     | 0.80 | F 67R37 | 4    | 0.47     | 6758 | 2987    | 1.67 | F 57R37 | 4    |         |      | 3.8     | 828  | 366      | 0.93 |         |      | 4.3     | 731  | 323      | 1.05 | 4.8  | 656  |         |      |         |      | 290     | 1.17 | 5.4     | 581  |          |      | 257     | 1.33 | 6.3      | 498  |         |      | 220    | 1.55 | 5.6     | 563  | 249      | 1.00 | F 57R37 | 4    | 0.46    | 6871 | 3037    | 1.07 | F 107R77 | 4    |         |      | 7.1     | 446  | 197     | 1.27 |          |      | 7.7     | 410  | 181   | 1.38 | 5.3    | 593  |          |      |         |      | 262     | 0.95 | 6.2  | 511  | 226     | 1.10 |          |      |          |      | 7.0     | 452  | 200      | 1.25 | 8.4  | 376  | 166     | 1.50 | 9.1     | 344  | 152     | 1.64 | 10       | 303  | 134   | 1.86 | 11     | 207  | 128.51   | 0.9  | F 37 | 4    | 0.61  | 5129 | 2267   | 0.79 | F 97R57 | 4    |      |      | 12     | 190  | 117.88 | 1.0  |         |      | 14  | 162  | 100.36 | 1.2  | 16      | 140  |       |      | 86.53  | 1.3  | 17       | 130  |       |      |         |      | 80.65  | 1.4  |         |     | 20   | 114  | 70.50  | 1.7  | 21      | 107 | 66.09  | 1.8  | 24      | 94  | 58.32  | 2.0  | 25     | 88  | 54.54  | 2.1  | 27    | 83   | 51.70   | 2.3  | 30     | 76  | 47.02  | 2.5  | 32    | 71  | 43.83  | 2.7  | 36    | 62  | 38.31  | 3.0 | 39    | 58  | 35.91 | 3.2  | 44    | 51   | 31.69   | 3.7 | 49    | 45  | 28.09  | 4.1 | 58    | 39  | 23.88  | 4.9 | 59    | 38  | 23.63 | 4.9 | 68    | 33  | 20.57 | 5.7 | 72    | 31  | 19.27 | 6.0 | 82    | 27  | 17.03 | 6.8 | 88    | 26  | 15.81 | 7.4 | 97    | 23  | 14.33 | 8.1 | 108   | 21  | 12.87 | 9.0 | 125   | 18  | 11.08 | 10  | 133   | 17  | 10.42 | 10  | 155   | 14  | 8.97  | 11  | 185   | 12  | 7.51  | 11  |       |     |       |     |       |     |       |     |       |     |       |     |       |     |       |     |       |     |       |     |       |    |       |     |       |    |       |     |      |    |       |     |      |    |       |     |     |    |       |     |     |    |       |    |     |    |       |    |     |    |      |    |     |    |
| 6.2           | 360        | 136.16   | 1.6                    |             |         | 6.7           | 336        | 127.27   | 1.7                    |             |         |          |       | 7.7           | 290  | 110.01  | 1.9  |               |       | 7.0     | 322  | 199.70        | 1.7  | F 57     | 4     | 0.23          | 13514 | 5973    | 0.83 | F 107R77 | 4     |         |      | 7.6      | 296   | 183.60  | 1.9  |          |      |         |      | 8.8     | 254   | 157.06  | 2.2  |          |      | 10      | 220  | 136.16  | 2.6   | 11      | 205  |         |       | 127.27   | 2.7   | 13       | 178   | 110.01   | 3.2   |          |       | 5.7     | 393  | 148.98   | 1.0  | F 47     | 6     | 0.27     | 11484 | 5076     | 0.98 | F 97R57  | 4     |         |      | 6.6      | 341   | 129.14  | 1.1  |          |      |         |      | 7.0     | 319   | 120.70  | 1.2   |          |      | 8.1     | 275  | 104.33   | 1.4  | 7.3     | 306   |          |       | 189.39   | 1.2   | F 47    | 4     | 0.31    | 10104 |          |      | 4466    | 1.12 |         |      | F 87R57 | 4     | 8.0     | 281   | 174.13  | 1.3  |         |       |         |      | 9.3      | 241   | 148.98  | 1.6  |         |       | 11       | 209  | 129.14  | 1.8  | 12       | 195  |          |      | 120.70  | 1.9   | 13       | 168   | 104.33   | 2.2  | 16      | 143   | 88.65   | 2.6   |          |      | 1.1     | 2941 | 1300    | 1.0   | F 87R57 | 4    | 0.36     | 8751  | 3868    | 1.29 | F 77R37 | 4    |         |      | 1.2     | 2597 | 1148    | 1.1  |         |      |         |       | 1.4     | 2285 | 1010    | 1.2  |         |      | 1.6     | 2007 | 887      | 1.4  | 1.8     | 1765 |         |      | 780     | 1.6  | 2.1      | 1525  | 674     | 1.8  |          |      | 2.3      | 1378 | 609      | 2.0  | 2.7     | 1165 | 515     | 2.4  | 3.1     | 1023 | 452      | 2.8  | 1.7     | 1833 | 810     | 0.77 | F 77R37 | 4    | 0.41    | 7699 | 3403    | 1.47 | F 67R37 | 4    |         |      | 2.0      | 1606 | 710     | 0.88 |         |      |         |      | 2.3     | 1357 | 600      | 1.04 |         |      | 2.6     | 1188 | 525     | 1.19 | 3.0     | 1061 |          |      | 469     | 1.33 | 3.4     | 932  | 412     | 1.51 |         |      | 3.9    | 808  | 357     | 1.75 | 4.4     | 710  | 314   | 1.98 | 3.3     | 966  | 427     | 0.80 | F 67R37  | 4    | 0.47     | 6758 | 2987    | 1.67 | F 57R37 | 4    |         |      | 3.8      | 828  | 366     | 0.93 |         |      |         |      | 4.3     | 731  | 323      | 1.05 |         |      | 4.8     | 656  | 290      | 1.17 | 5.4  | 581  |         |      | 257     | 1.33 | 6.3     | 498  | 220     | 1.55 |          |      | 5.6     | 563  | 249      | 1.00 | F 57R37 | 4    | 0.46   | 6871 | 3037    | 1.07 | F 107R77 | 4    |         |      | 7.1     | 446  | 197     | 1.27 |          |      |         |      | 7.7     | 410  | 181     | 1.38 |          |      | 5.3     | 593  | 262   | 0.95 | 6.2    | 511  |          |      | 226     | 1.10 | 7.0     | 452  | 200  | 1.25 | 8.4     | 376  | 166      | 1.50 |          |      | 9.1     | 344  | 152      | 1.64 | 10   | 303  | 134     | 1.86 | 11      | 207  | 128.51  | 0.9  | F 37     | 4    | 0.61  | 5129 | 2267   | 0.79 | F 97R57  | 4    |      |      | 12    | 190  | 117.88 | 1.0  |         |      |      |      | 14     | 162  | 100.36 | 1.2  |         |      | 16  | 140  | 86.53  | 1.3  | 17      | 130  |       |      | 80.65  | 1.4  | 20       | 114  | 70.50 | 1.7  |         |      | 21     | 107  | 66.09   | 1.8 | 24   | 94   | 58.32  | 2.0  | 25      | 88  | 54.54  | 2.1  | 27      | 83  | 51.70  | 2.3  | 30     | 76  | 47.02  | 2.5  | 32    | 71   | 43.83   | 2.7  | 36     | 62  | 38.31  | 3.0  | 39    | 58  | 35.91  | 3.2  | 44    | 51  | 31.69  | 3.7 | 49    | 45  | 28.09 | 4.1  | 58    | 39   | 23.88   | 4.9 | 59    | 38  | 23.63  | 4.9 | 68    | 33  | 20.57  | 5.7 | 72    | 31  | 19.27 | 6.0 | 82    | 27  | 17.03 | 6.8 | 88    | 26  | 15.81 | 7.4 | 97    | 23  | 14.33 | 8.1 | 108   | 21  | 12.87 | 9.0 | 125   | 18  | 11.08 | 10  | 133   | 17  | 10.42 | 10  | 155   | 14  | 8.97  | 11  | 185   | 12  | 7.51  | 11  |       |     |       |     |       |     |       |     |       |     |       |     |       |     |       |     |       |     |       |     |       |     |       |     |       |     |       |     |       |    |       |     |       |    |       |     |      |    |       |     |      |    |       |     |     |    |       |     |     |    |       |    |     |    |       |    |     |    |      |    |     |    |
| 6.7           | 336        | 127.27   | 1.7                    |             |         | 7.7           | 290        | 110.01   | 1.9                    | 7.0         | 322     |          |       | 199.70        | 1.7  | F 57    | 4    | 0.23          | 13514 | 5973    | 0.83 | F 107R77      | 4    |          |       | 7.6           | 296   | 183.60  | 1.9  |          |       |         |      | 8.8      | 254   | 157.06  | 2.2  |          |      |         |      | 10      | 220   | 136.16  | 2.6  |          |      | 11      | 205  | 127.27  | 2.7   | 13      | 178  | 110.01  | 3.2   | 5.7      | 393   | 148.98   | 1.0   | F 47     | 6     | 0.27     | 11484 | 5076    | 0.98 | F 97R57  | 4    |          |       | 6.6      | 341   | 129.14   | 1.1  |          |       |         |      | 7.0      | 319   | 120.70  | 1.2  |          |      |         |      | 8.1     | 275   | 104.33  | 1.4   |          |      | 7.3     | 306  | 189.39   | 1.2  | F 47    | 4     | 0.31     | 10104 | 4466     | 1.12  |         |       | F 87R57 | 4     | 8.0      | 281  | 174.13  | 1.3  |         |      |         |       | 9.3     | 241   | 148.98  | 1.6  |         |       |         |      | 11       | 209   | 129.14  | 1.8  |         |       | 12       | 195  | 120.70  | 1.9  | 13       | 168  | 104.33   | 2.2  | 16      | 143   | 88.65    | 2.6   | 1.1      | 2941 | 1300    | 1.0   | F 87R57 | 4     | 0.36     | 8751 | 3868    | 1.29 | F 77R37 | 4     |         |      | 1.2      | 2597  | 1148    | 1.1  |         |      |         |      | 1.4     | 2285 | 1010    | 1.2  |         |      |         |       | 1.6     | 2007 | 887     | 1.4  |         |      | 1.8     | 1765 | 780      | 1.6  | 2.1     | 1525 | 674     | 1.8  | 2.3     | 1378 | 609      | 2.0   | 2.7     | 1165 | 515      | 2.4  | 3.1      | 1023 | 452      | 2.8  | 1.7     | 1833 | 810     | 0.77 | F 77R37 | 4    | 0.41     | 7699 | 3403    | 1.47 | F 67R37 | 4    |         |      | 2.0     | 1606 | 710     | 0.88 |         |      |         |      | 2.3      | 1357 | 600     | 1.04 |         |      |         |      | 2.6     | 1188 | 525      | 1.19 |         |      | 3.0     | 1061 | 469     | 1.33 | 3.4     | 932  | 412      | 1.51 | 3.9     | 808  | 357     | 1.75 | 4.4     | 710  | 314     | 1.98 | 3.3    | 966  | 427     | 0.80 | F 67R37 | 4    | 0.47  | 6758 | 2987    | 1.67 | F 57R37 | 4    |          |      | 3.8      | 828  | 366     | 0.93 |         |      |         |      | 4.3      | 731  | 323     | 1.05 |         |      |         |      | 4.8     | 656  | 290      | 1.17 |         |      | 5.4     | 581  | 257      | 1.33 | 6.3  | 498  | 220     | 1.55 | 5.6     | 563  | 249     | 1.00 | F 57R37 | 4    | 0.46     | 6871 | 3037    | 1.07 | F 107R77 | 4    |         |      | 7.1    | 446  | 197     | 1.27 |          |      |         |      | 7.7     | 410  | 181     | 1.38 |          |      |         |      | 5.3     | 593  | 262     | 0.95 |          |      | 6.2     | 511  | 226   | 1.10 | 7.0    | 452  | 200      | 1.25 | 8.4     | 376  | 166     | 1.50 | 9.1  | 344  | 152     | 1.64 | 10       | 303  | 134      | 1.86 | 11      | 207  | 128.51   | 0.9  | F 37 | 4    | 0.61    | 5129 | 2267    | 0.79 | F 97R57 | 4    |          |      | 12    | 190  | 117.88 | 1.0  |          |      |      |      | 14    | 162  | 100.36 | 1.2  |         |      |      |      | 16     | 140  | 86.53  | 1.3  |         |      | 17  | 130  | 80.65  | 1.4  | 20      | 114  | 70.50 | 1.7  | 21     | 107  | 66.09    | 1.8  | 24    | 94   | 58.32   | 2.0  | 25     | 88   | 54.54   | 2.1 | 27   | 83   | 51.70  | 2.3  | 30      | 76  | 47.02  | 2.5  | 32      | 71  | 43.83  | 2.7  | 36     | 62  | 38.31  | 3.0  | 39    | 58   | 35.91   | 3.2  | 44     | 51  | 31.69  | 3.7  | 49    | 45  | 28.09  | 4.1  | 58    | 39  | 23.88  | 4.9 | 59    | 38  | 23.63 | 4.9  | 68    | 33   | 20.57   | 5.7 | 72    | 31  | 19.27  | 6.0 | 82    | 27  | 17.03  | 6.8 | 88    | 26  | 15.81 | 7.4 | 97    | 23  | 14.33 | 8.1 | 108   | 21  | 12.87 | 9.0 | 125   | 18  | 11.08 | 10  | 133   | 17  | 10.42 | 10  | 155   | 14  | 8.97  | 11  | 185   | 12  | 7.51  | 11  |       |     |       |     |       |     |       |     |       |     |       |     |       |     |       |     |       |     |       |     |       |     |       |     |       |     |       |     |       |     |       |     |       |     |       |     |       |    |       |     |       |    |       |     |      |    |       |     |      |    |       |     |     |    |       |     |     |    |       |    |     |    |       |    |     |    |      |    |     |    |
| 7.7           | 290        | 110.01   | 1.9                    | 7.0         | 322     | 199.70        | 1.7        | F 57     | 4                      | 0.23        | 13514   | 5973     | 0.83  | F 107R77      | 4    |         |      | 7.6           | 296   | 183.60  | 1.9  |               |      |          |       | 8.8           | 254   | 157.06  | 2.2  |          |       |         |      | 10       | 220   | 136.16  | 2.6  |          |      |         |      | 11      | 205   | 127.27  | 2.7  |          |      | 13      | 178  | 110.01  | 3.2   | 5.7     | 393  | 148.98  | 1.0   | F 47     | 6     | 0.27     | 11484 |          |       | 5076     | 0.98  | F 97R57 | 4    |          |      |          |       | 6.6      | 341   | 129.14   | 1.1  |          |       |         |      | 7.0      | 319   | 120.70  | 1.2  |          |      |         |      | 8.1     | 275   | 104.33  | 1.4   |          |      | 7.3     | 306  | 189.39   | 1.2  |         |       | F 47     | 4     | 0.31     | 10104 |         |       |         |       | 4466     | 1.12 | F 87R57 | 4    |         |      |         |       | 8.0     | 281   | 174.13  | 1.3  |         |       |         |      | 9.3      | 241   | 148.98  | 1.6  |         |       | 11       | 209  | 129.14  | 1.8  | 12       | 195  | 120.70   | 1.9  | 13      | 168   | 104.33   | 2.2   | 16       | 143  | 88.65   | 2.6   |         |       | 1.1      | 2941 | 1300    | 1.0  |         |       |         |      | F 87R57  | 4     | 0.36    | 8751 |         |      |         |      | 3868    | 1.29 | F 77R37 | 4    |         |      |         |       | 1.2     | 2597 | 1148    | 1.1  |         |      | 1.4     | 2285 | 1010     | 1.2  | 1.6     | 2007 | 887     | 1.4  | 1.8     | 1765 | 780      | 1.6   | 2.1     | 1525 | 674      | 1.8  | 2.3      | 1378 | 609      | 2.0  | 2.7     | 1165 | 515     | 2.4  |         |      | 3.1      | 1023 | 452     | 2.8  |         |      |         |      | 1.7     | 1833 | 810     | 0.77 |         |      |         |      | F 77R37  | 4    | 0.41    | 7699 |         |      |         |      | 3403    | 1.47 | F 67R37  | 4    |         |      | 2.0     | 1606 | 710     | 0.88 | 2.3     | 1357 | 600      | 1.04 | 2.6     | 1188 | 525     | 1.19 | 3.0     | 1061 | 469     | 1.33 | 3.4    | 932  | 412     | 1.51 |         |      | 3.9   | 808  | 357     | 1.75 |         |      |          |      | 4.4      | 710  | 314     | 1.98 |         |      |         |      | 3.3      | 966  | 427     | 0.80 |         |      |         |      | F 67R37 | 4    | 0.47     | 6758 |         |      | 2987    | 1.67 | F 57R37  | 4    | 3.8  | 828  | 366     | 0.93 | 4.3     | 731  | 323     | 1.05 |         |      | 4.8      | 656  | 290     | 1.17 |          |      |         |      | 5.4    | 581  | 257     | 1.33 |          |      |         |      | 6.3     | 498  | 220     | 1.55 |          |      |         |      | 5.6     | 563  | 249     | 1.00 |          |      | F 57R37 | 4    | 0.46  | 6871 | 3037   | 1.07 | F 107R77 | 4    | 7.1     | 446  | 197     | 1.27 | 7.7  | 410  | 181     | 1.38 | 5.3      | 593  | 262      | 0.95 | 6.2     | 511  | 226      | 1.10 |      |      | 7.0     | 452  | 200     | 1.25 |         |      |          |      | 8.4   | 376  | 166    | 1.50 |          |      |      |      | 9.1   | 344  | 152    | 1.64 |         |      |      |      | 10     | 303  | 134    | 1.86 |         |      | 11  | 207  | 128.51 | 0.9  | F 37    | 4    | 0.61  | 5129 | 2267   | 0.79 | F 97R57  | 4    | 12    | 190  | 117.88  | 1.0  | 14     | 162  | 100.36  | 1.2 | 16   | 140  | 86.53  | 1.3  | 17      | 130 | 80.65  | 1.4  | 20      | 114 | 70.50  | 1.7  | 21     | 107 | 66.09  | 1.8  | 24    | 94   | 58.32   | 2.0  | 25     | 88  | 54.54  | 2.1  | 27    | 83  | 51.70  | 2.3  | 30    | 76  | 47.02  | 2.5 | 32    | 71  | 43.83 | 2.7  | 36    | 62   | 38.31   | 3.0 | 39    | 58  | 35.91  | 3.2 | 44    | 51  | 31.69  | 3.7 | 49    | 45  | 28.09 | 4.1 | 58    | 39  | 23.88 | 4.9 | 59    | 38  | 23.63 | 4.9 | 68    | 33  | 20.57 | 5.7 | 72    | 31  | 19.27 | 6.0 | 82    | 27  | 17.03 | 6.8 | 88    | 26  | 15.81 | 7.4 | 97    | 23  | 14.33 | 8.1 | 108   | 21  | 12.87 | 9.0 | 125   | 18  | 11.08 | 10  | 133   | 17  | 10.42 | 10  | 155   | 14  | 8.97  | 11  | 185   | 12  | 7.51  | 11  |       |     |       |     |       |     |       |     |       |     |       |     |       |    |       |     |       |    |       |     |      |    |       |     |      |    |       |     |     |    |       |     |     |    |       |    |     |    |       |    |     |    |      |    |     |    |
| 7.0           | 322        | 199.70   | 1.7                    | F 57        | 4       | 0.23          | 13514      |          |                        | 5973        | 0.83    | F 107R77 | 4     |               |      |         |      |               |       |         |      |               |      |          |       |               |       |         |      |          |       |         |      |          |       |         |      |          |      |         |      |         |       |         |      |          |      |         |      |         |       |         |      |         |       |          |       |          |       |          |       |          |       |         |      |          |      |          |       |          |       |          |      |          |       |         |      |          |       |         |      |          |      |         |      |         |       |         |       |          |      |         |      |          |      |         |       |          |       |          |       |         |       |         |       |          |      |         |      |         |      |         |       |         |       |         |      |         |       |         |      |          |       |         |      |         |       |          |      |         |      |          |      |          |      |         |       |          |       |          |      |         |       |         |       |          |      |         |      |         |       |         |      |          |       |         |      |         |      |         |      |         |      |         |      |         |      |         |       |         |      |         |      |         |      |         |      |          |      |         |      |         |      |         |      |          |       |         |      |          |      |          |      |          |      |         |      |         |      |         |      |          |      |         |      |         |      |         |      |         |      |         |      |         |      |         |      |          |      |         |      |         |      |         |      |         |      |          |      |         |      |         |      |         |      |         |      |          |      |         |      |         |      |         |      |         |      |        |      |         |      |         |      |       |      |         |      |         |      |          |      |          |      |         |      |         |      |         |      |          |      |         |      |         |      |         |      |         |      |          |      |         |      |         |      |          |      |      |      |         |      |         |      |         |      |         |      |          |      |         |      |          |      |         |      |        |      |         |      |          |      |         |      |         |      |         |      |          |      |         |      |         |      |         |      |          |      |         |      |       |      |        |      |          |      |         |      |         |      |      |      |         |      |          |      |          |      |         |      |          |      |      |      |         |      |         |      |         |      |          |      |       |      |        |      |          |      |      |      |       |      |        |      |         |      |      |      |        |      |        |      |         |      |     |      |        |      |         |      |       |      |        |      |          |      |       |      |         |      |        |      |         |     |      |      |        |      |         |     |        |      |         |     |        |      |        |     |        |      |       |      |         |      |        |     |        |      |       |     |        |      |       |     |        |     |       |     |       |      |       |      |         |     |       |     |        |     |       |     |        |     |       |     |       |     |       |     |       |     |       |     |       |     |       |     |       |     |       |     |       |     |       |     |       |     |       |     |       |     |       |     |       |     |       |     |       |     |       |     |       |     |       |     |       |     |       |     |       |     |       |     |       |     |       |     |       |     |       |     |       |     |       |     |       |     |       |    |       |     |       |    |       |     |      |    |       |     |      |    |       |     |     |    |       |     |     |    |       |    |     |    |       |    |     |    |      |    |     |    |
| 7.6           | 296        | 183.60   | 1.9                    |             |         | 8.8           | 254        |          |                        | 157.06      | 2.2     |          |       |               |      |         |      | 10            | 220   | 136.16  | 2.6  |               |      |          |       | 11            | 205   | 127.27  | 2.7  |          |       | 13      | 178  | 110.01   | 3.2   | 5.7     | 393  | 148.98   | 1.0  | F 47    | 6    | 0.27    | 11484 | 5076    | 0.98 | F 97R57  | 4    | 6.6     | 341  | 129.14  | 1.1   | 7.0     | 319  | 120.70  | 1.2   |          |       | 8.1      | 275   |          |       | 104.33   | 1.4   |         |      |          |      |          |       | 7.3      | 306   | 189.39   | 1.2  |          |       | F 47    | 4    | 0.31     | 10104 | 4466    | 1.12 | F 87R57  | 4    | 8.0     | 281  | 174.13  | 1.3   | 9.3     | 241   | 148.98   | 1.6  | 11      | 209  | 129.14   | 1.8  |         |       |          |       | 12       | 195   |         |       |         |       | 120.70   | 1.9  |         |      | 13      | 168  |         |       | 104.33  | 2.2   | 16      | 143  | 88.65   | 2.6   | 1.1     | 2941 | 1300     | 1.0   | F 87R57 | 4    | 0.36    | 8751  | 3868     | 1.29 | F 77R37 | 4    | 1.2      | 2597 | 1148     | 1.1  | 1.4     | 2285  | 1010     | 1.2   | 1.6      | 2007 | 887     | 1.4   |         |       | 1.8      | 1765 | 780     | 1.6  |         |       |         |      |          |       | 2.1     | 1525 |         |      | 674     | 1.8  | 2.3     | 1378 |         |      | 609     | 2.0  | 2.7     | 1165  | 515     | 2.4  | 3.1     | 1023 | 452     | 2.8  | 1.7     | 1833 | 810      | 0.77 | F 77R37 | 4    | 0.41    | 7699 | 3403    | 1.47 | F 67R37  | 4     | 2.0     | 1606 | 710      | 0.88 | 2.3      | 1357 | 600      | 1.04 | 2.6     | 1188 | 525     | 1.19 |         |      | 3.0      | 1061 | 469     | 1.33 |         |      |         |      | 3.4     | 932  | 412     | 1.51 |         |      | 3.9     | 808  |          |      | 357     | 1.75 | 4.4     | 710  | 314     | 1.98 | 3.3     | 966  |          |      | 427     | 0.80 | F 67R37 | 4    | 0.47    | 6758 | 2987    | 1.67 | F 57R37  | 4    | 3.8     | 828  | 366     | 0.93 | 4.3     | 731  | 323     | 1.05 | 4.8    | 656  | 290     | 1.17 |         |      | 5.4   | 581  | 257     | 1.33 |         |      |          |      | 6.3      | 498  | 220     | 1.55 |         |      | 5.6     | 563  | 249      | 1.00 | F 57R37 | 4    | 0.46    | 6871 | 3037    | 1.07 |         |      | F 107R77 | 4    | 7.1     | 446  | 197     | 1.27 |          |      | 7.7  | 410  | 181     | 1.38 | 5.3     | 593  | 262     | 0.95 |         |      | 6.2      | 511  | 226     | 1.10 |          |      |         |      | 7.0    | 452  | 200     | 1.25 |          |      | 8.4     | 376  | 166     | 1.50 | 9.1     | 344  | 152      | 1.64 | 10      | 303  | 134     | 1.86 | 11      | 207  | 128.51   | 0.9  |         |      | F 37  | 4    | 0.61   | 5129 |          |      | 2267    | 0.79 | F 97R57 | 4    | 12   | 190  | 117.88  | 1.0  | 14       | 162  | 100.36   | 1.2  | 16      | 140  | 86.53    | 1.3  |      |      | 17      | 130  | 80.65   | 1.4  |         |      |          |      | 20    | 114  | 70.50  | 1.7  |          |      | 21   | 107  | 66.09 | 1.8  | 24     | 94   | 58.32   | 2.0  | 25   | 88   | 54.54  | 2.1  | 27     | 83   | 51.70   | 2.3  | 30  | 76   | 47.02  | 2.5  |         |      | 32    | 71   | 43.83  | 2.7  |          |      | 36    | 62   | 38.31   | 3.0  | 39     | 58   | 35.91   | 3.2 | 44   | 51   | 31.69  | 3.7  | 49      | 45  | 28.09  | 4.1  | 58      | 39  | 23.88  | 4.9  | 59     | 38  | 23.63  | 4.9  | 68    | 33   | 20.57   | 5.7  | 72     | 31  | 19.27  | 6.0  | 82    | 27  | 17.03  | 6.8  | 88    | 26  | 15.81  | 7.4 | 97    | 23  | 14.33 | 8.1  | 108   | 21   | 12.87   | 9.0 | 125   | 18  | 11.08  | 10  | 133   | 17  | 10.42  | 10  | 155   | 14  | 8.97  | 11  | 185   | 12  | 7.51  | 11  |       |     |       |     |       |     |       |     |       |     |       |     |       |     |       |     |       |     |       |     |       |     |       |     |       |     |       |     |       |     |       |     |       |     |       |     |       |     |       |     |       |     |       |     |       |     |       |     |       |     |       |     |       |     |       |     |       |    |       |     |       |    |       |     |      |    |       |     |      |    |       |     |     |    |       |     |     |    |       |    |     |    |       |    |     |    |      |    |     |    |
| 8.8           | 254        | 157.06   | 2.2                    |             |         | 10            | 220        |          |                        | 136.16      | 2.6     |          |       |               |      |         |      | 11            | 205   | 127.27  | 2.7  |               |      | 13       | 178   | 110.01        | 3.2   | 5.7     | 393  | 148.98   | 1.0   | F 47    | 6    | 0.27     | 11484 | 5076    | 0.98 | F 97R57  | 4    |         |      | 6.6     | 341   | 129.14  | 1.1  |          |      | 7.0     | 319  | 120.70  | 1.2   | 8.1     | 275  | 104.33  | 1.4   |          |       | 7.3      | 306   |          |       | 189.39   | 1.2   |         |      |          |      | F 47     | 4     | 0.31     | 10104 | 4466     | 1.12 | F 87R57  | 4     |         |      | 8.0      | 281   | 174.13  | 1.3  |          |      | 9.3     | 241  | 148.98  | 1.6   | 11      | 209   | 129.14   | 1.8  | 12      | 195  | 120.70   | 1.9  |         |       |          |       | 13       | 168   | 104.33  | 2.2   |         |       | 16       | 143  |         |      | 88.65   | 2.6  | 1.1     | 2941  | 1300    | 1.0   | F 87R57 | 4    | 0.36    | 8751  | 3868    | 1.29 | F 77R37  | 4     |         |      | 1.2     | 2597  | 1148     | 1.1  |         |      | 1.4      | 2285 | 1010     | 1.2  | 1.6     | 2007  | 887      | 1.4   | 1.8      | 1765 | 780     | 1.6   |         |       | 2.1      | 1525 | 674     | 1.8  |         |       | 2.3     | 1378 |          |       | 609     | 2.0  | 2.7     | 1165 | 515     | 2.4  | 3.1     | 1023 |         |      | 452     | 2.8  | 1.7     | 1833  | 810     | 0.77 | F 77R37 | 4    | 0.41    | 7699 | 3403    | 1.47 | F 67R37  | 4    |         |      | 2.0     | 1606 | 710     | 0.88 |          |       | 2.3     | 1357 | 600      | 1.04 | 2.6      | 1188 | 525      | 1.19 | 3.0     | 1061 | 469     | 1.33 |         |      | 3.4      | 932  | 412     | 1.51 |         |      | 3.9     | 808  | 357     | 1.75 | 4.4     | 710  | 314     | 1.98 | 3.3     | 966  |          |      | 427     | 0.80 | F 67R37 | 4    | 0.47    | 6758 | 2987    | 1.67 |          |      | F 57R37 | 4    |         |      | 3.8     | 828  | 366     | 0.93 |          |      | 4.3     | 731  | 323     | 1.05 | 4.8     | 656  | 290     | 1.17 | 5.4    | 581  | 257     | 1.33 |         |      | 6.3   | 498  | 220     | 1.55 |         |      | 5.6      | 563  | 249      | 1.00 | F 57R37 | 4    | 0.46    | 6871 | 3037    | 1.07 | F 107R77 | 4    |         |      | 7.1     | 446  | 197     | 1.27 |         |      |          |      | 7.7     | 410  | 181     | 1.38 |          |      | 5.3  | 593  | 262     | 0.95 | 6.2     | 511  | 226     | 1.10 |         |      | 7.0      | 452  | 200     | 1.25 |          |      | 8.4     | 376  | 166    | 1.50 | 9.1     | 344  | 152      | 1.64 | 10      | 303  | 134     | 1.86 | 11      | 207  | 128.51   | 0.9  | F 37    | 4    | 0.61    | 5129 | 2267    | 0.79 | F 97R57  | 4    |         |      |       |      | 12     | 190  |          |      | 117.88  | 1.0  |         |      | 14   | 162  | 100.36  | 1.2  | 16       | 140  | 86.53    | 1.3  | 17      | 130  | 80.65    | 1.4  |      |      | 20      | 114  | 70.50   | 1.7  |         |      | 21       | 107  | 66.09 | 1.8  | 24     | 94   | 58.32    | 2.0  | 25   | 88   | 54.54 | 2.1  | 27     | 83   | 51.70   | 2.3  | 30   | 76   | 47.02  | 2.5  | 32     | 71   | 43.83   | 2.7  | 36  | 62   | 38.31  | 3.0  |         |      | 39    | 58   | 35.91  | 3.2  |          |      | 44    | 51   | 31.69   | 3.7  | 49     | 45   | 28.09   | 4.1 | 58   | 39   | 23.88  | 4.9  | 59      | 38  | 23.63  | 4.9  | 68      | 33  | 20.57  | 5.7  | 72     | 31  | 19.27  | 6.0  | 82    | 27   | 17.03   | 6.8  | 88     | 26  | 15.81  | 7.4  | 97    | 23  | 14.33  | 8.1  | 108   | 21  | 12.87  | 9.0 | 125   | 18  | 11.08 | 10   | 133   | 17   | 10.42   | 10  | 155   | 14  | 8.97   | 11  | 185   | 12  | 7.51   | 11  |       |     |       |     |       |     |       |     |       |     |       |     |       |     |       |     |       |     |       |     |       |     |       |     |       |     |       |     |       |     |       |     |       |     |       |     |       |     |       |     |       |     |       |     |       |     |       |     |       |     |       |     |       |     |       |     |       |     |       |     |       |     |       |     |       |    |       |     |       |    |       |     |      |    |       |     |      |    |       |     |     |    |       |     |     |    |       |    |     |    |       |    |     |    |      |    |     |    |
| 10            | 220        | 136.16   | 2.6                    |             |         | 11            | 205        |          |                        | 127.27      | 2.7     |          |       |               |      | 13      | 178  | 110.01        | 3.2   | 5.7     | 393  | 148.98        | 1.0  | F 47     | 6     | 0.27          | 11484 | 5076    | 0.98 | F 97R57  | 4     |         |      | 6.6      | 341   | 129.14  | 1.1  |          |      |         |      | 7.0     | 319   | 120.70  | 1.2  |          |      | 8.1     | 275  | 104.33  | 1.4   | 7.3     | 306  | 189.39  | 1.2   |          |       | F 47     | 4     | 0.31     | 10104 | 4466     | 1.12  |         |      | F 87R57  | 4    |          |       | 8.0      | 281   | 174.13   | 1.3  |          |       |         |      | 9.3      | 241   | 148.98  | 1.6  |          |      | 11      | 209  | 129.14  | 1.8   | 12      | 195   | 120.70   | 1.9  | 13      | 168  | 104.33   | 2.2  | 16      | 143   |          |       | 88.65    | 2.6   | 1.1     | 2941  | 1300    | 1.0   | F 87R57  | 4    |         |      | 0.36    | 8751 | 3868    | 1.29  | F 77R37 | 4     |         |      | 1.2     | 2597  | 1148    | 1.1  |          |       |         |      | 1.4     | 2285  | 1010     | 1.2  |         |      | 1.6      | 2007 | 887      | 1.4  | 1.8     | 1765  | 780      | 1.6   | 2.1      | 1525 | 674     | 1.8   | 2.3     | 1378  | 609      | 2.0  | 2.7     | 1165 | 515     | 2.4   | 3.1     | 1023 |          |       | 452     | 2.8  | 1.7     | 1833 | 810     | 0.77 | F 77R37 | 4    |         |      | 0.41    | 7699 | 3403    | 1.47  | F 67R37 | 4    |         |      | 2.0     | 1606 | 710     | 0.88 |          |      |         |      | 2.3     | 1357 | 600     | 1.04 |          |       | 2.6     | 1188 | 525      | 1.19 | 3.0      | 1061 | 469      | 1.33 | 3.4     | 932  | 412     | 1.51 | 3.9     | 808  | 357      | 1.75 | 4.4     | 710  | 314     | 1.98 | 3.3     | 966  | 427     | 0.80 | F 67R37 | 4    | 0.47    | 6758 | 2987    | 1.67 |          |      | F 57R37 | 4    |         |      | 3.8     | 828  | 366     | 0.93 |          |      |         |      |         |      | 4.3     | 731  | 323     | 1.05 |          |      | 4.8     | 656  | 290     | 1.17 | 5.4     | 581  | 257     | 1.33 | 6.3    | 498  | 220     | 1.55 | 5.6     | 563  | 249   | 1.00 | F 57R37 | 4    | 0.46    | 6871 | 3037     | 1.07 | F 107R77 | 4    |         |      | 7.1     | 446  | 197     | 1.27 |          |      |         |      | 7.7     | 410  | 181     | 1.38 |         |      |          |      | 5.3     | 593  | 262     | 0.95 |          |      | 6.2  | 511  | 226     | 1.10 | 7.0     | 452  | 200     | 1.25 | 8.4     | 376  | 166      | 1.50 | 9.1     | 344  | 152      | 1.64 | 10      | 303  | 134    | 1.86 | 11      | 207  | 128.51   | 0.9  | F 37    | 4    | 0.61    | 5129 | 2267    | 0.79 | F 97R57  | 4    |         |      | 12      | 190  | 117.88  | 1.0  |          |      |         |      |       |      | 14     | 162  |          |      | 100.36  | 1.2  |         |      | 16   | 140  | 86.53   | 1.3  | 17       | 130  | 80.65    | 1.4  | 20      | 114  | 70.50    | 1.7  | 21   | 107  | 66.09   | 1.8  | 24      | 94   | 58.32   | 2.0  | 25       | 88   | 54.54 | 2.1  | 27     | 83   | 51.70    | 2.3  | 30   | 76   | 47.02 | 2.5  | 32     | 71   | 43.83   | 2.7  | 36   | 62   | 38.31  | 3.0  | 39     | 58   | 35.91   | 3.2  | 44  | 51   | 31.69  | 3.7  |         |      | 49    | 45   | 28.09  | 4.1  |          |      | 58    | 39   | 23.88   | 4.9  | 59     | 38   | 23.63   | 4.9 | 68   | 33   | 20.57  | 5.7  | 72      | 31  | 19.27  | 6.0  | 82      | 27  | 17.03  | 6.8  | 88     | 26  | 15.81  | 7.4  | 97    | 23   | 14.33   | 8.1  | 108    | 21  | 12.87  | 9.0  | 125   | 18  | 11.08  | 10   | 133   | 17  | 10.42  | 10  | 155   | 14  | 8.97  | 11   | 185   | 12   | 7.51    | 11  |       |     |        |     |       |     |        |     |       |     |       |     |       |     |       |     |       |     |       |     |       |     |       |     |       |     |       |     |       |     |       |     |       |     |       |     |       |     |       |     |       |     |       |     |       |     |       |     |       |     |       |     |       |     |       |     |       |     |       |     |       |     |       |     |       |     |       |     |       |     |       |     |       |    |       |     |       |    |       |     |      |    |       |     |      |    |       |     |     |    |       |     |     |    |       |    |     |    |       |    |     |    |      |    |     |    |
| 11            | 205        | 127.27   | 2.7                    |             |         | 13            | 178        | 110.01   | 3.2                    | 5.7         | 393     |          |       | 148.98        | 1.0  | F 47    | 6    | 0.27          | 11484 | 5076    | 0.98 | F 97R57       | 4    |          |       | 6.6           | 341   | 129.14  | 1.1  |          |       |         |      | 7.0      | 319   | 120.70  | 1.2  |          |      |         |      | 8.1     | 275   | 104.33  | 1.4  |          |      | 7.3     | 306  | 189.39  | 1.2   | F 47    | 4    | 0.31    | 10104 | 4466     | 1.12  |          |       | F 87R57  | 4     | 8.0      | 281   | 174.13  | 1.3  |          |      |          |       | 9.3      | 241   | 148.98   | 1.6  |          |       |         |      | 11       | 209   | 129.14  | 1.8  |          |      | 12      | 195  | 120.70  | 1.9   | 13      | 168   | 104.33   | 2.2  | 16      | 143  | 88.65    | 2.6  | 1.1     | 2941  | 1300     | 1.0   | F 87R57  | 4     | 0.36    | 8751  | 3868    | 1.29  |          |      | F 77R37 | 4    | 1.2     | 2597 | 1148    | 1.1   |         |       |         |      | 1.4     | 2285  | 1010    | 1.2  |          |       |         |      | 1.6     | 2007  | 887      | 1.4  |         |      | 1.8      | 1765 | 780      | 1.6  | 2.1     | 1525  | 674      | 1.8   | 2.3      | 1378 | 609     | 2.0   | 2.7     | 1165  | 515      | 2.4  | 3.1     | 1023 | 452     | 2.8   | 1.7     | 1833 | 810      | 0.77  | F 77R37 | 4    | 0.41    | 7699 | 3403    | 1.47 |         |      | F 67R37 | 4    | 2.0     | 1606 | 710     | 0.88  |         |      |         |      | 2.3     | 1357 | 600     | 1.04 |          |      |         |      | 2.6     | 1188 | 525     | 1.19 |          |       | 3.0     | 1061 | 469      | 1.33 | 3.4      | 932  | 412      | 1.51 | 3.9     | 808  | 357     | 1.75 | 4.4     | 710  | 314      | 1.98 | 3.3     | 966  | 427     | 0.80 | F 67R37 | 4    | 0.47    | 6758 |         |      | 2987    | 1.67 | F 57R37 | 4    | 3.8      | 828  |         |      |         |      | 366     | 0.93 | 4.3     | 731  | 323      | 1.05 |         |      |         |      | 4.8     | 656  | 290     | 1.17 |          |      | 5.4     | 581  | 257     | 1.33 | 6.3     | 498  | 220     | 1.55 | 5.6    | 563  | 249     | 1.00 | F 57R37 | 4    | 0.46  | 6871 |         |      | 3037    | 1.07 | F 107R77 | 4    |          |      |         |      | 7.1     | 446  | 197     | 1.27 |          |      |         |      | 7.7     | 410  | 181     | 1.38 | 5.3     | 593  |          |      | 262     | 0.95 | 6.2     | 511  | 226      | 1.10 | 7.0  | 452  | 200     | 1.25 | 8.4     | 376  | 166     | 1.50 | 9.1     | 344  | 152      | 1.64 | 10      | 303  | 134      | 1.86 | 11      | 207  | 128.51 | 0.9  | F 37    | 4    | 0.61     | 5129 |         |      | 2267    | 0.79 | F 97R57 | 4    |          |      |         |      | 12      | 190  | 117.88  | 1.0  |          |      | 14      | 162  |       |      | 100.36 | 1.2  | 16       | 140  | 86.53   | 1.3  |         |      | 17   | 130  | 80.65   | 1.4  | 20       | 114  | 70.50    | 1.7  | 21      | 107  | 66.09    | 1.8  | 24   | 94   | 58.32   | 2.0  | 25      | 88   | 54.54   | 2.1  | 27       | 83   | 51.70 | 2.3  | 30     | 76   | 47.02    | 2.5  | 32   | 71   | 43.83 | 2.7  | 36     | 62   | 38.31   | 3.0  | 39   | 58   | 35.91  | 3.2  | 44     | 51   | 31.69   | 3.7  | 49  | 45   | 28.09  | 4.1  | 58      | 39   | 23.88 | 4.9  | 59     | 38   | 23.63    | 4.9  | 68    | 33   | 20.57   | 5.7  | 72     | 31   | 19.27   | 6.0 | 82   | 27   | 17.03  | 6.8  | 88      | 26  | 15.81  | 7.4  | 97      | 23  | 14.33  | 8.1  | 108    | 21  | 12.87  | 9.0  | 125   | 18   | 11.08   | 10   | 133    | 17  | 10.42  | 10   | 155   | 14  | 8.97   | 11   | 185   | 12  | 7.51   | 11  |       |     |       |      |       |      |         |     |       |     |        |     |       |     |        |     |       |     |       |     |       |     |       |     |       |     |       |     |       |     |       |     |       |     |       |     |       |     |       |     |       |     |       |     |       |     |       |     |       |     |       |     |       |     |       |     |       |     |       |     |       |     |       |     |       |     |       |     |       |     |       |     |       |     |       |     |       |     |       |     |       |    |       |     |       |    |       |     |      |    |       |     |      |    |       |     |     |    |       |     |     |    |       |    |     |    |       |    |     |    |      |    |     |    |
| 13            | 178        | 110.01   | 3.2                    | 5.7         | 393     | 148.98        | 1.0        | F 47     | 6                      | 0.27        | 11484   | 5076     | 0.98  | F 97R57       | 4    |         |      | 6.6           | 341   | 129.14  | 1.1  |               |      |          |       | 7.0           | 319   | 120.70  | 1.2  |          |       |         |      | 8.1      | 275   | 104.33  | 1.4  |          |      |         |      | 7.3     | 306   | 189.39  | 1.2  |          |      | F 47    | 4    | 0.31    | 10104 |         |      | 4466    | 1.12  | F 87R57  | 4     |          |       |          |       | 8.0      | 281   | 174.13  | 1.3  |          |      |          |       | 9.3      | 241   | 148.98   | 1.6  |          |       |         |      | 11       | 209   | 129.14  | 1.8  |          |      | 12      | 195  | 120.70  | 1.9   | 13      | 168   | 104.33   | 2.2  | 16      | 143  | 88.65    | 2.6  | 1.1     | 2941  | 1300     | 1.0   |          |       | F 87R57 | 4     | 0.36    | 8751  |          |      |         |      | 3868    | 1.29 | F 77R37 | 4     |         |       |         |      | 1.2     | 2597  | 1148    | 1.1  |          |       |         |      | 1.4     | 2285  | 1010     | 1.2  |         |      | 1.6      | 2007 | 887      | 1.4  | 1.8     | 1765  | 780      | 1.6   | 2.1      | 1525 | 674     | 1.8   | 2.3     | 1378  | 609      | 2.0  | 2.7     | 1165 | 515     | 2.4   | 3.1     | 1023 | 452      | 2.8   |         |      | 1.7     | 1833 | 810     | 0.77 |         |      |         |      | F 77R37 | 4    | 0.41    | 7699  |         |      |         |      | 3403    | 1.47 | F 67R37 | 4    |          |      |         |      | 2.0     | 1606 | 710     | 0.88 |          |       | 2.3     | 1357 | 600      | 1.04 | 2.6      | 1188 | 525      | 1.19 | 3.0     | 1061 | 469     | 1.33 | 3.4     | 932  | 412      | 1.51 | 3.9     | 808  | 357     | 1.75 |         |      | 4.4     | 710  |         |      | 314     | 1.98 |         |      | 3.3      | 966  |         |      |         |      | 427     | 0.80 | F 67R37 | 4    | 0.47     | 6758 |         |      |         |      | 2987    | 1.67 | F 57R37 | 4    |          |      | 3.8     | 828  | 366     | 0.93 | 4.3     | 731  | 323     | 1.05 | 4.8    | 656  | 290     | 1.17 |         |      | 5.4   | 581  |         |      | 257     | 1.33 |          |      |          |      |         |      | 6.3     | 498  | 220     | 1.55 |          |      |         |      | 5.6     | 563  | 249     | 1.00 | F 57R37 | 4    |          |      | 0.46    | 6871 | 3037    | 1.07 | F 107R77 | 4    | 7.1  | 446  | 197     | 1.27 | 7.7     | 410  | 181     | 1.38 | 5.3     | 593  | 262      | 0.95 | 6.2     | 511  | 226      | 1.10 | 7.0     | 452  | 200    | 1.25 |         |      | 8.4      | 376  |         |      | 166     | 1.50 |         |      |          |      |         |      | 9.1     | 344  | 152     | 1.64 |          |      | 10      | 303  |       |      | 134    | 1.86 | 11       | 207  | 128.51  | 0.9  |         |      | F 37 | 4    | 0.61    | 5129 | 2267     | 0.79 | F 97R57  | 4    | 12      | 190  | 117.88   | 1.0  | 14   | 162  | 100.36  | 1.2  | 16      | 140  | 86.53   | 1.3  | 17       | 130  | 80.65 | 1.4  | 20     | 114  | 70.50    | 1.7  | 21   | 107  | 66.09 | 1.8  | 24     | 94   | 58.32   | 2.0  | 25   | 88   | 54.54  | 2.1  | 27     | 83   | 51.70   | 2.3  | 30  | 76   | 47.02  | 2.5  | 32      | 71   | 43.83 | 2.7  | 36     | 62   | 38.31    | 3.0  | 39    | 58   | 35.91   | 3.2  | 44     | 51   | 31.69   | 3.7 | 49   | 45   | 28.09  | 4.1  | 58      | 39  | 23.88  | 4.9  | 59      | 38  | 23.63  | 4.9  | 68     | 33  | 20.57  | 5.7  | 72    | 31   | 19.27   | 6.0  | 82     | 27  | 17.03  | 6.8  | 88    | 26  | 15.81  | 7.4  | 97    | 23  | 14.33  | 8.1 | 108   | 21  | 12.87 | 9.0  | 125   | 18   | 11.08   | 10  | 133   | 17  | 10.42  | 10  | 155   | 14  | 8.97   | 11  | 185   | 12  | 7.51  | 11  |       |     |       |     |       |     |       |     |       |     |       |     |       |     |       |     |       |     |       |     |       |     |       |     |       |     |       |     |       |     |       |     |       |     |       |     |       |     |       |     |       |     |       |     |       |     |       |     |       |     |       |     |       |     |       |     |       |     |       |     |       |    |       |     |       |    |       |     |      |    |       |     |      |    |       |     |     |    |       |     |     |    |       |    |     |    |       |    |     |    |      |    |     |    |
| 5.7           | 393        | 148.98   | 1.0                    | F 47        | 6       | 0.27          | 11484      |          |                        | 5076        | 0.98    | F 97R57  | 4     |               |      |         |      |               |       |         |      |               |      |          |       |               |       |         |      |          |       |         |      |          |       |         |      |          |      |         |      |         |       |         |      |          |      |         |      |         |       |         |      |         |       |          |       |          |       |          |       |          |       |         |      |          |      |          |       |          |       |          |      |          |       |         |      |          |       |         |      |          |      |         |      |         |       |         |       |          |      |         |      |          |      |         |       |          |       |          |       |         |       |         |       |          |      |         |      |         |      |         |       |         |       |         |      |         |       |         |      |          |       |         |      |         |       |          |      |         |      |          |      |          |      |         |       |          |       |          |      |         |       |         |       |          |      |         |      |         |       |         |      |          |       |         |      |         |      |         |      |         |      |         |      |         |      |         |       |         |      |         |      |         |      |         |      |          |      |         |      |         |      |         |      |          |       |         |      |          |      |          |      |          |      |         |      |         |      |         |      |          |      |         |      |         |      |         |      |         |      |         |      |         |      |         |      |          |      |         |      |         |      |         |      |         |      |          |      |         |      |         |      |         |      |         |      |          |      |         |      |         |      |         |      |         |      |        |      |         |      |         |      |       |      |         |      |         |      |          |      |          |      |         |      |         |      |         |      |          |      |         |      |         |      |         |      |         |      |          |      |         |      |         |      |          |      |      |      |         |      |         |      |         |      |         |      |          |      |         |      |          |      |         |      |        |      |         |      |          |      |         |      |         |      |         |      |          |      |         |      |         |      |         |      |          |      |         |      |       |      |        |      |          |      |         |      |         |      |      |      |         |      |          |      |          |      |         |      |          |      |      |      |         |      |         |      |         |      |          |      |       |      |        |      |          |      |      |      |       |      |        |      |         |      |      |      |        |      |        |      |         |      |     |      |        |      |         |      |       |      |        |      |          |      |       |      |         |      |        |      |         |     |      |      |        |      |         |     |        |      |         |     |        |      |        |     |        |      |       |      |         |      |        |     |        |      |       |     |        |      |       |     |        |     |       |     |       |      |       |      |         |     |       |     |        |     |       |     |        |     |       |     |       |     |       |     |       |     |       |     |       |     |       |     |       |     |       |     |       |     |       |     |       |     |       |     |       |     |       |     |       |     |       |     |       |     |       |     |       |     |       |     |       |     |       |     |       |     |       |     |       |     |       |     |       |     |       |     |       |     |       |     |       |     |       |    |       |     |       |    |       |     |      |    |       |     |      |    |       |     |     |    |       |     |     |    |       |    |     |    |       |    |     |    |      |    |     |    |
| 6.6           | 341        | 129.14   | 1.1                    |             |         | 7.0           | 319        |          |                        | 120.70      | 1.2     |          |       |               |      |         |      | 8.1           | 275   | 104.33  | 1.4  |               |      |          |       | 7.3           | 306   | 189.39  | 1.2  |          |       | F 47    | 4    | 0.31     | 10104 | 4466    | 1.12 | F 87R57  | 4    | 8.0     | 281  | 174.13  | 1.3   | 9.3     | 241  | 148.98   | 1.6  |         |      | 11      | 209   |         |      | 129.14  | 1.8   |          |       |          |       |          |       | 12       | 195   | 120.70  | 1.9  |          |      | 13       | 168   | 104.33   | 2.2   | 16       | 143  | 88.65    | 2.6   | 1.1     | 2941 | 1300     | 1.0   | F 87R57 | 4    | 0.36     | 8751 | 3868    | 1.29 | F 77R37 | 4     | 1.2     | 2597  | 1148     | 1.1  | 1.4     | 2285 | 1010     | 1.2  | 1.6     | 2007  | 887      | 1.4   |          |       |         |       | 1.8     | 1765  |          |      |         |      | 780     | 1.6  |         |       |         |       | 2.1     | 1525 | 674     | 1.8   | 2.3     | 1378 | 609      | 2.0   | 2.7     | 1165 | 515     | 2.4   | 3.1      | 1023 | 452     | 2.8  | 1.7      | 1833 | 810      | 0.77 | F 77R37 | 4     | 0.41     | 7699  | 3403     | 1.47 | F 67R37 | 4     | 2.0     | 1606  | 710      | 0.88 | 2.3     | 1357 | 600     | 1.04  | 2.6     | 1188 | 525      | 1.19  |         |      | 3.0     | 1061 | 469     | 1.33 |         |      |         |      |         |      | 3.4     | 932   |         |      | 412     | 1.51 | 3.9     | 808  |         |      | 357      | 1.75 | 4.4     | 710  | 314     | 1.98 | 3.3     | 966  | 427      | 0.80  | F 67R37 | 4    | 0.47     | 6758 | 2987     | 1.67 | F 57R37  | 4    | 3.8     | 828  | 366     | 0.93 | 4.3     | 731  | 323      | 1.05 | 4.8     | 656  | 290     | 1.17 |         |      | 5.4     | 581  |         |      | 257     | 1.33 |         |      | 6.3      | 498  |         |      | 220     | 1.55 | 5.6     | 563  |         |      | 249      | 1.00 | F 57R37 | 4    | 0.46    | 6871 | 3037    | 1.07 |         |      | F 107R77 | 4    | 7.1     | 446  | 197     | 1.27 | 7.7     | 410  | 181     | 1.38 | 5.3    | 593  | 262     | 0.95 |         |      | 6.2   | 511  |         |      | 226     | 1.10 |          |      |          |      | 7.0     | 452  | 200     | 1.25 | 8.4     | 376  | 166      | 1.50 | 9.1     | 344  | 152     | 1.64 | 10      | 303  |         |      | 134      | 1.86 | 11      | 207  | 128.51  | 0.9  |          |      | F 37 | 4    | 0.61    | 5129 | 2267    | 0.79 | F 97R57 | 4    | 12      | 190  | 117.88   | 1.0  | 14      | 162  | 100.36   | 1.2  | 16      | 140  | 86.53  | 1.3  |         |      | 17       | 130  |         |      | 80.65   | 1.4  |         |      |          |      | 20      | 114  | 70.50   | 1.7  | 21      | 107  | 66.09    | 1.8  | 24      | 94   | 58.32 | 2.0  | 25     | 88   | 54.54    | 2.1  | 27      | 83   | 51.70   | 2.3  |      |      | 30      | 76   | 47.02    | 2.5  |          |      | 32      | 71   | 43.83    | 2.7  | 36   | 62   | 38.31   | 3.0  | 39      | 58   | 35.91   | 3.2  | 44       | 51   | 31.69 | 3.7  | 49     | 45   | 28.09    | 4.1  | 58   | 39   | 23.88 | 4.9  | 59     | 38   | 23.63   | 4.9  | 68   | 33   | 20.57  | 5.7  | 72     | 31   | 19.27   | 6.0  | 82  | 27   | 17.03  | 6.8  | 88      | 26   | 15.81 | 7.4  | 97     | 23   | 14.33    | 8.1  | 108   | 21   | 12.87   | 9.0  | 125    | 18   | 11.08   | 10  | 133  | 17   | 10.42  | 10   | 155     | 14  | 8.97   | 11   | 185     | 12  | 7.51   | 11   |        |     |        |      |       |      |         |      |        |     |        |      |       |     |        |      |       |     |        |     |       |     |       |      |       |      |         |     |       |     |        |     |       |     |        |     |       |     |       |     |       |     |       |     |       |     |       |     |       |     |       |     |       |     |       |     |       |     |       |     |       |     |       |     |       |     |       |     |       |     |       |     |       |     |       |     |       |     |       |     |       |     |       |     |       |     |       |     |       |     |       |     |       |     |       |     |       |     |       |     |       |    |       |     |       |    |       |     |      |    |       |     |      |    |       |     |     |    |       |     |     |    |       |    |     |    |       |    |     |    |      |    |     |    |
| 7.0           | 319        | 120.70   | 1.2                    |             |         | 8.1           | 275        |          |                        | 104.33      | 1.4     |          |       |               |      |         |      | 7.3           | 306   | 189.39  | 1.2  |               |      | F 47     | 4     | 0.31          | 10104 | 4466    | 1.12 | F 87R57  | 4     |         |      | 8.0      | 281   | 174.13  | 1.3  |          |      | 9.3     | 241  | 148.98  | 1.6   | 11      | 209  | 129.14   | 1.8  |         |      | 12      | 195   |         |      | 120.70  | 1.9   |          |       | 13       | 168   |          |       | 104.33   | 2.2   | 16      | 143  | 88.65    | 2.6  | 1.1      | 2941  | 1300     | 1.0   | F 87R57  | 4    | 0.36     | 8751  | 3868    | 1.29 | F 77R37  | 4     |         |      | 1.2      | 2597 | 1148    | 1.1  |         |       | 1.4     | 2285  | 1010     | 1.2  | 1.6     | 2007 | 887      | 1.4  | 1.8     | 1765  | 780      | 1.6   |          |       |         |       | 2.1     | 1525  | 674      | 1.8  |         |      | 2.3     | 1378 |         |       | 609     | 2.0   | 2.7     | 1165 | 515     | 2.4   | 3.1     | 1023 | 452      | 2.8   | 1.7     | 1833 | 810     | 0.77  | F 77R37  | 4    | 0.41    | 7699 | 3403     | 1.47 | F 67R37  | 4    |         |       | 2.0      | 1606  | 710      | 0.88 |         |       | 2.3     | 1357  | 600      | 1.04 | 2.6     | 1188 | 525     | 1.19  | 3.0     | 1061 | 469      | 1.33  |         |      | 3.4     | 932  | 412     | 1.51 | 3.9     | 808  |         |      |         |      | 357     | 1.75  | 4.4     | 710  | 314     | 1.98 | 3.3     | 966  |         |      | 427      | 0.80 | F 67R37 | 4    | 0.47    | 6758 | 2987    | 1.67 | F 57R37  | 4     |         |      | 3.8      | 828  | 366      | 0.93 |          |      | 4.3     | 731  | 323     | 1.05 | 4.8     | 656  | 290      | 1.17 | 5.4     | 581  | 257     | 1.33 |         |      | 6.3     | 498  | 220     | 1.55 | 5.6     | 563  |         |      | 249      | 1.00 | F 57R37 | 4    | 0.46    | 6871 | 3037    | 1.07 |         |      | F 107R77 | 4    |         |      | 7.1     | 446  | 197     | 1.27 |         |      |          |      | 7.7     | 410  | 181     | 1.38 | 5.3     | 593  | 262     | 0.95 | 6.2    | 511  | 226     | 1.10 |         |      | 7.0   | 452  | 200     | 1.25 | 8.4     | 376  |          |      | 166      | 1.50 | 9.1     | 344  | 152     | 1.64 | 10      | 303  | 134      | 1.86 | 11      | 207  | 128.51  | 0.9  | F 37    | 4    |         |      | 0.61     | 5129 | 2267    | 0.79 | F 97R57 | 4    |          |      |      |      | 12      | 190  | 117.88  | 1.0  |         |      | 14      | 162  | 100.36   | 1.2  | 16      | 140  | 86.53    | 1.3  | 17      | 130  | 80.65  | 1.4  |         |      | 20       | 114  | 70.50   | 1.7  | 21      | 107  |         |      | 66.09    | 1.8  | 24      | 94   | 58.32   | 2.0  | 25      | 88   | 54.54    | 2.1  | 27      | 83   | 51.70 | 2.3  | 30     | 76   | 47.02    | 2.5  | 32      | 71   | 43.83   | 2.7  |      |      | 36      | 62   | 38.31    | 3.0  |          |      | 39      | 58   | 35.91    | 3.2  | 44   | 51   | 31.69   | 3.7  | 49      | 45   | 28.09   | 4.1  | 58       | 39   | 23.88 | 4.9  | 59     | 38   | 23.63    | 4.9  | 68   | 33   | 20.57 | 5.7  | 72     | 31   | 19.27   | 6.0  | 82   | 27   | 17.03  | 6.8  | 88     | 26   | 15.81   | 7.4  | 97  | 23   | 14.33  | 8.1  | 108     | 21   | 12.87 | 9.0  | 125    | 18   | 11.08    | 10   | 133   | 17   | 10.42   | 10   | 155    | 14   | 8.97    | 11  | 185  | 12   | 7.51   | 11   |         |     |        |      |         |     |        |      |        |     |        |      |       |      |         |      |        |     |        |      |       |     |        |      |       |     |        |     |       |     |       |      |       |      |         |     |       |     |        |     |       |     |        |     |       |     |       |     |       |     |       |     |       |     |       |     |       |     |       |     |       |     |       |     |       |     |       |     |       |     |       |     |       |     |       |     |       |     |       |     |       |     |       |     |       |     |       |     |       |     |       |     |       |     |       |     |       |     |       |     |       |     |       |     |       |     |       |     |       |    |       |     |       |    |       |     |      |    |       |     |      |    |       |     |     |    |       |     |     |    |       |    |     |    |       |    |     |    |      |    |     |    |
| 8.1           | 275        | 104.33   | 1.4                    |             |         | 7.3           | 306        |          |                        | 189.39      | 1.2     |          |       |               |      | F 47    | 4    | 0.31          | 10104 | 4466    | 1.12 | F 87R57       | 4    |          |       | 8.0           | 281   | 174.13  | 1.3  |          |       |         |      | 9.3      | 241   | 148.98  | 1.6  |          |      | 11      | 209  | 129.14  | 1.8   | 12      | 195  | 120.70   | 1.9  |         |      | 13      | 168   | 104.33  | 2.2  | 16      | 143   |          |       | 88.65    | 2.6   | 1.1      | 2941  | 1300     | 1.0   | F 87R57 | 4    | 0.36     | 8751 | 3868     | 1.29  | F 77R37  | 4     |          |      | 1.2      | 2597  | 1148    | 1.1  |          |       |         |      | 1.4      | 2285 | 1010    | 1.2  |         |       | 1.6     | 2007  | 887      | 1.4  | 1.8     | 1765 | 780      | 1.6  | 2.1     | 1525  | 674      | 1.8   | 2.3      | 1378  |         |       | 609     | 2.0   | 2.7      | 1165 | 515     | 2.4  | 3.1     | 1023 |         |       | 452     | 2.8   | 1.7     | 1833 | 810     | 0.77  | F 77R37 | 4    | 0.41     | 7699  | 3403    | 1.47 | F 67R37 | 4     |          |      | 2.0     | 1606 | 710      | 0.88 |          |      |         |       | 2.3      | 1357  | 600      | 1.04 |         |       | 2.6     | 1188  | 525      | 1.19 | 3.0     | 1061 | 469     | 1.33  | 3.4     | 932  | 412      | 1.51  | 3.9     | 808  | 357     | 1.75 | 4.4     | 710  | 314     | 1.98 | 3.3     | 966  |         |      | 427     | 0.80  | F 67R37 | 4    | 0.47    | 6758 | 2987    | 1.67 |         |      | F 57R37  | 4    |         |      | 3.8     | 828  | 366     | 0.93 |          |       |         |      | 4.3      | 731  | 323      | 1.05 |          |      | 4.8     | 656  | 290     | 1.17 | 5.4     | 581  | 257      | 1.33 | 6.3     | 498  | 220     | 1.55 | 5.6     | 563  | 249     | 1.00 | F 57R37 | 4    | 0.46    | 6871 | 3037    | 1.07 | F 107R77 | 4    |         |      | 7.1     | 446  | 197     | 1.27 |         |      |          |      |         |      | 7.7     | 410  | 181     | 1.38 |         |      |          |      | 5.3     | 593  | 262     | 0.95 | 6.2     | 511  | 226     | 1.10 | 7.0    | 452  | 200     | 1.25 | 8.4     | 376  | 166   | 1.50 | 9.1     | 344  | 152     | 1.64 | 10       | 303  | 134      | 1.86 | 11      | 207  | 128.51  | 0.9  | F 37    | 4    | 0.61     | 5129 | 2267    | 0.79 | F 97R57 | 4    |         |      |         |      | 12       | 190  | 117.88  | 1.0  |         |      |          |      |      |      | 14      | 162  | 100.36  | 1.2  |         |      | 16      | 140  | 86.53    | 1.3  | 17      | 130  | 80.65    | 1.4  | 20      | 114  | 70.50  | 1.7  | 21      | 107  | 66.09    | 1.8  | 24      | 94   | 58.32   | 2.0  | 25      | 88   | 54.54    | 2.1  | 27      | 83   | 51.70   | 2.3  | 30      | 76   | 47.02    | 2.5  | 32      | 71   | 43.83 | 2.7  | 36     | 62   | 38.31    | 3.0  | 39      | 58   | 35.91   | 3.2  |      |      | 44      | 51   | 31.69    | 3.7  |          |      | 49      | 45   | 28.09    | 4.1  | 58   | 39   | 23.88   | 4.9  | 59      | 38   | 23.63   | 4.9  | 68       | 33   | 20.57 | 5.7  | 72     | 31   | 19.27    | 6.0  | 82   | 27   | 17.03 | 6.8  | 88     | 26   | 15.81   | 7.4  | 97   | 23   | 14.33  | 8.1  | 108    | 21   | 12.87   | 9.0  | 125 | 18   | 11.08  | 10   | 133     | 17   | 10.42 | 10   | 155    | 14   | 8.97     | 11   | 185   | 12   | 7.51    | 11   |        |      |         |     |      |      |        |      |         |     |        |      |         |     |        |      |        |     |        |      |       |      |         |      |        |     |        |      |       |     |        |      |       |     |        |     |       |     |       |      |       |      |         |     |       |     |        |     |       |     |        |     |       |     |       |     |       |     |       |     |       |     |       |     |       |     |       |     |       |     |       |     |       |     |       |     |       |     |       |     |       |     |       |     |       |     |       |     |       |     |       |     |       |     |       |     |       |     |       |     |       |     |       |     |       |     |       |     |       |     |       |     |       |     |       |     |       |    |       |     |       |    |       |     |      |    |       |     |      |    |       |     |     |    |       |     |     |    |       |    |     |    |       |    |     |    |      |    |     |    |
| 7.3           | 306        | 189.39   | 1.2                    |             |         | F 47          | 4          | 0.31     | 10104                  | 4466        | 1.12    |          |       | F 87R57       | 4    |         |      |               |       |         |      |               |      |          |       |               |       |         |      |          |       |         |      |          |       |         |      |          |      |         |      |         |       |         |      |          |      |         |      |         |       |         |      |         |       |          |       |          |       |          |       |          |       |         |      |          |      |          |       |          |       |          |      |          |       |         |      |          |       |         |      |          |      |         |      |         |       |         |       |          |      |         |      |          |      |         |       |          |       |          |       |         |       |         |       |          |      |         |      |         |      |         |       |         |       |         |      |         |       |         |      |          |       |         |      |         |       |          |      |         |      |          |      |          |      |         |       |          |       |          |      |         |       |         |       |          |      |         |      |         |       |         |      |          |       |         |      |         |      |         |      |         |      |         |      |         |      |         |       |         |      |         |      |         |      |         |      |          |      |         |      |         |      |         |      |          |       |         |      |          |      |          |      |          |      |         |      |         |      |         |      |          |      |         |      |         |      |         |      |         |      |         |      |         |      |         |      |          |      |         |      |         |      |         |      |         |      |          |      |         |      |         |      |         |      |         |      |          |      |         |      |         |      |         |      |         |      |        |      |         |      |         |      |       |      |         |      |         |      |          |      |          |      |         |      |         |      |         |      |          |      |         |      |         |      |         |      |         |      |          |      |         |      |         |      |          |      |      |      |         |      |         |      |         |      |         |      |          |      |         |      |          |      |         |      |        |      |         |      |          |      |         |      |         |      |         |      |          |      |         |      |         |      |         |      |          |      |         |      |       |      |        |      |          |      |         |      |         |      |      |      |         |      |          |      |          |      |         |      |          |      |      |      |         |      |         |      |         |      |          |      |       |      |        |      |          |      |      |      |       |      |        |      |         |      |      |      |        |      |        |      |         |      |     |      |        |      |         |      |       |      |        |      |          |      |       |      |         |      |        |      |         |     |      |      |        |      |         |     |        |      |         |     |        |      |        |     |        |      |       |      |         |      |        |     |        |      |       |     |        |      |       |     |        |     |       |     |       |      |       |      |         |     |       |     |        |     |       |     |        |     |       |     |       |     |       |     |       |     |       |     |       |     |       |     |       |     |       |     |       |     |       |     |       |     |       |     |       |     |       |     |       |     |       |     |       |     |       |     |       |     |       |     |       |     |       |     |       |     |       |     |       |     |       |     |       |     |       |     |       |     |       |     |       |     |       |    |       |     |       |    |       |     |      |    |       |     |      |    |       |     |     |    |       |     |     |    |       |    |     |    |       |    |     |    |      |    |     |    |
| 8.0           | 281        | 174.13   | 1.3                    | 9.3         | 241     |               |            | 148.98   | 1.6                    | 11          | 209     | 129.14   | 1.8   |               |      |         |      | 12            | 195   | 120.70  | 1.9  |               |      |          |       | 13            | 168   | 104.33  | 2.2  |          |       |         |      | 16       | 143   | 88.65   | 2.6  |          |      | 1.1     | 2941 | 1300    | 1.0   | F 87R57 | 4    | 0.36     | 8751 | 3868    | 1.29 | F 77R37 | 4     | 1.2     | 2597 | 1148    | 1.1   | 1.4      | 2285  | 1010     | 1.2   | 1.6      | 2007  | 887      | 1.4   |         |      | 1.8      | 1765 | 780      | 1.6   |          |       |          |      | 2.1      | 1525  | 674     | 1.8  |          |       |         |      | 2.3      | 1378 | 609     | 2.0  |         |       | 2.7     | 1165  | 515      | 2.4  | 3.1     | 1023 | 452      | 2.8  | 1.7     | 1833  | 810      | 0.77  | F 77R37  | 4     | 0.41    | 7699  | 3403    | 1.47  | F 67R37  | 4    | 2.0     | 1606 | 710     | 0.88 | 2.3     | 1357  | 600     | 1.04  | 2.6     | 1188 | 525     | 1.19  |         |      | 3.0      | 1061  | 469     | 1.33 |         |       |          |      | 3.4     | 932  | 412      | 1.51 |          |      |         |       | 3.9      | 808   | 357      | 1.75 |         |       | 4.4     | 710   | 314      | 1.98 | 3.3     | 966  | 427     | 0.80  | F 67R37 | 4    | 0.47     | 6758  | 2987    | 1.67 | F 57R37 | 4    | 3.8     | 828  | 366     | 0.93 | 4.3     | 731  | 323     | 1.05 | 4.8     | 656   |         |      | 290     | 1.17 | 5.4     | 581  | 257     | 1.33 |          |      |         |      | 6.3     | 498  | 220     | 1.55 |          |       |         |      | 5.6      | 563  | 249      | 1.00 |          |      | F 57R37 | 4    | 0.46    | 6871 | 3037    | 1.07 | F 107R77 | 4    | 7.1     | 446  | 197     | 1.27 | 7.7     | 410  | 181     | 1.38 |         |      | 5.3     | 593  | 262     | 0.95 |          |      |         |      | 6.2     | 511  | 226     | 1.10 | 7.0     | 452  |          |      |         |      | 200     | 1.25 | 8.4     | 376  | 166     | 1.50 |          |      | 9.1     | 344  | 152     | 1.64 | 10      | 303  | 134     | 1.86 | 11     | 207  | 128.51  | 0.9  | F 37    | 4    | 0.61  | 5129 | 2267    | 0.79 | F 97R57 | 4    | 12       | 190  | 117.88   | 1.0  | 14      | 162  | 100.36  | 1.2  |         |      | 16       | 140  | 86.53   | 1.3  |         |      |         |      | 17      | 130  | 80.65    | 1.4  | 20      | 114  |         |      | 70.50    | 1.7  |      |      | 21      | 107  | 66.09   | 1.8  |         |      | 24      | 94   | 58.32    | 2.0  | 25      | 88   | 54.54    | 2.1  | 27      | 83   | 51.70  | 2.3  | 30      | 76   | 47.02    | 2.5  | 32      | 71   | 43.83   | 2.7  | 36      | 62   | 38.31    | 3.0  | 39      | 58   | 35.91   | 3.2  | 44      | 51   | 31.69    | 3.7  | 49      | 45   | 28.09 | 4.1  | 58     | 39   | 23.88    | 4.9  | 59      | 38   | 23.63   | 4.9  | 68   | 33   | 20.57   | 5.7  | 72       | 31   | 19.27    | 6.0  | 82      | 27   | 17.03    | 6.8  | 88   | 26   | 15.81   | 7.4  | 97      | 23   | 14.33   | 8.1  | 108      | 21   | 12.87 | 9.0  | 125    | 18   | 11.08    | 10   | 133  | 17   | 10.42 | 10   | 155    | 14   | 8.97    | 11   | 185  | 12   | 7.51   | 11   |        |      |         |      |     |      |        |      |         |      |       |      |        |      |          |      |       |      |         |      |        |      |         |     |      |      |        |      |         |     |        |      |         |     |        |      |        |     |        |      |       |      |         |      |        |     |        |      |       |     |        |      |       |     |        |     |       |     |       |      |       |      |         |     |       |     |        |     |       |     |        |     |       |     |       |     |       |     |       |     |       |     |       |     |       |     |       |     |       |     |       |     |       |     |       |     |       |     |       |     |       |     |       |     |       |     |       |     |       |     |       |     |       |     |       |     |       |     |       |     |       |     |       |     |       |     |       |     |       |     |       |     |       |     |       |     |       |    |       |     |       |    |       |     |      |    |       |     |      |    |       |     |     |    |       |     |     |    |       |    |     |    |       |    |     |    |      |    |     |    |
| 9.3           | 241        | 148.98   | 1.6                    | 11          | 209     |               |            | 129.14   | 1.8                    | 12          | 195     | 120.70   | 1.9   |               |      |         |      | 13            | 168   | 104.33  | 2.2  |               |      |          |       | 16            | 143   | 88.65   | 2.6  |          |       | 1.1     | 2941 | 1300     | 1.0   | F 87R57 | 4    | 0.36     | 8751 | 3868    | 1.29 | F 77R37 | 4     |         |      | 1.2      | 2597 | 1148    | 1.1  |         |       | 1.4     | 2285 | 1010    | 1.2   | 1.6      | 2007  | 887      | 1.4   | 1.8      | 1765  | 780      | 1.6   |         |      | 2.1      | 1525 | 674      | 1.8   |          |       |          |      | 2.3      | 1378  | 609     | 2.0  |          |       | 2.7     | 1165 | 515      | 2.4  | 3.1     | 1023 | 452     | 2.8   | 1.7     | 1833  | 810      | 0.77 | F 77R37 | 4    | 0.41     | 7699 | 3403    | 1.47  | F 67R37  | 4     |          |       | 2.0     | 1606  | 710     | 0.88  |          |      | 2.3     | 1357 | 600     | 1.04 | 2.6     | 1188  | 525     | 1.19  | 3.0     | 1061 | 469     | 1.33  |         |      | 3.4      | 932   | 412     | 1.51 |         |       |          |      | 3.9     | 808  | 357      | 1.75 |          |      | 4.4     | 710   | 314      | 1.98  | 3.3      | 966  | 427     | 0.80  | F 67R37 | 4     | 0.47     | 6758 | 2987    | 1.67 | F 57R37 | 4     |         |      | 3.8      | 828   | 366     | 0.93 |         |      | 4.3     | 731  | 323     | 1.05 | 4.8     | 656  | 290     | 1.17 | 5.4     | 581   |         |      | 257     | 1.33 | 6.3     | 498  | 220     | 1.55 |          |      |         |      | 5.6     | 563  | 249     | 1.00 |          |       | F 57R37 | 4    | 0.46     | 6871 | 3037     | 1.07 | F 107R77 | 4    |         |      | 7.1     | 446  | 197     | 1.27 |          |      | 7.7     | 410  | 181     | 1.38 | 5.3     | 593  | 262     | 0.95 |         |      | 6.2     | 511  | 226     | 1.10 |          |      |         |      | 7.0     | 452  | 200     | 1.25 | 8.4     | 376  |          |      | 166     | 1.50 | 9.1     | 344  | 152     | 1.64 | 10      | 303  | 134      | 1.86 | 11      | 207  | 128.51  | 0.9  | F 37    | 4    | 0.61    | 5129 | 2267   | 0.79 | F 97R57 | 4    |         |      | 12    | 190  | 117.88  | 1.0  |         |      | 14       | 162  | 100.36   | 1.2  | 16      | 140  | 86.53   | 1.3  |         |      | 17       | 130  | 80.65   | 1.4  |         |      |         |      | 20      | 114  | 70.50    | 1.7  | 21      | 107  |         |      | 66.09    | 1.8  | 24   | 94   | 58.32   | 2.0  | 25      | 88   | 54.54   | 2.1  | 27      | 83   | 51.70    | 2.3  | 30      | 76   | 47.02    | 2.5  | 32      | 71   | 43.83  | 2.7  | 36      | 62   | 38.31    | 3.0  | 39      | 58   | 35.91   | 3.2  | 44      | 51   | 31.69    | 3.7  | 49      | 45   | 28.09   | 4.1  | 58      | 39   | 23.88    | 4.9  | 59      | 38   | 23.63 | 4.9  | 68     | 33   | 20.57    | 5.7  | 72      | 31   | 19.27   | 6.0  | 82   | 27   | 17.03   | 6.8  | 88       | 26   | 15.81    | 7.4  | 97      | 23   | 14.33    | 8.1  | 108  | 21   | 12.87   | 9.0  | 125     | 18   | 11.08   | 10   | 133      | 17   | 10.42 | 10   | 155    | 14   | 8.97     | 11   | 185  | 12   | 7.51  | 11   |        |      |         |      |      |      |        |      |        |      |         |      |     |      |        |      |         |      |       |      |        |      |          |      |       |      |         |      |        |      |         |     |      |      |        |      |         |     |        |      |         |     |        |      |        |     |        |      |       |      |         |      |        |     |        |      |       |     |        |      |       |     |        |     |       |     |       |      |       |      |         |     |       |     |        |     |       |     |        |     |       |     |       |     |       |     |       |     |       |     |       |     |       |     |       |     |       |     |       |     |       |     |       |     |       |     |       |     |       |     |       |     |       |     |       |     |       |     |       |     |       |     |       |     |       |     |       |     |       |     |       |     |       |     |       |     |       |     |       |     |       |     |       |     |       |    |       |     |       |    |       |     |      |    |       |     |      |    |       |     |     |    |       |     |     |    |       |    |     |    |       |    |     |    |      |    |     |    |
| 11            | 209        | 129.14   | 1.8                    | 12          | 195     |               |            | 120.70   | 1.9                    | 13          | 168     | 104.33   | 2.2   |               |      |         |      | 16            | 143   | 88.65   | 2.6  |               |      | 1.1      | 2941  | 1300          | 1.0   | F 87R57 | 4    | 0.36     | 8751  | 3868    | 1.29 | F 77R37  | 4     |         |      | 1.2      | 2597 | 1148    | 1.1  |         |       |         |      | 1.4      | 2285 | 1010    | 1.2  |         |       | 1.6     | 2007 | 887     | 1.4   | 1.8      | 1765  | 780      | 1.6   | 2.1      | 1525  | 674      | 1.8   |         |      | 2.3      | 1378 | 609      | 2.0   |          |       | 2.7      | 1165 | 515      | 2.4   | 3.1     | 1023 | 452      | 2.8   | 1.7     | 1833 | 810      | 0.77 | F 77R37 | 4    | 0.41    | 7699  | 3403    | 1.47  | F 67R37  | 4    |         |      | 2.0      | 1606 | 710     | 0.88  |          |       |          |       | 2.3     | 1357  | 600     | 1.04  |          |      | 2.6     | 1188 | 525     | 1.19 | 3.0     | 1061  | 469     | 1.33  | 3.4     | 932  | 412     | 1.51  |         |      | 3.9      | 808   | 357     | 1.75 |         |       | 4.4      | 710  | 314     | 1.98 | 3.3      | 966  | 427      | 0.80 | F 67R37 | 4     | 0.47     | 6758  | 2987     | 1.67 | F 57R37 | 4     |         |       | 3.8      | 828  | 366     | 0.93 |         |       |         |      | 4.3      | 731   | 323     | 1.05 |         |      | 4.8     | 656  | 290     | 1.17 | 5.4     | 581  | 257     | 1.33 | 6.3     | 498   |         |      | 220     | 1.55 | 5.6     | 563  | 249     | 1.00 |          |      | F 57R37 | 4    | 0.46    | 6871 | 3037    | 1.07 | F 107R77 | 4     |         |      | 7.1      | 446  | 197      | 1.27 |          |      |         |      | 7.7     | 410  | 181     | 1.38 |          |      | 5.3     | 593  | 262     | 0.95 | 6.2     | 511  | 226     | 1.10 |         |      | 7.0     | 452  | 200     | 1.25 |          |      | 8.4     | 376  | 166     | 1.50 | 9.1     | 344  | 152     | 1.64 | 10       | 303  | 134     | 1.86 | 11      | 207  | 128.51  | 0.9  | F 37    | 4    | 0.61     | 5129 | 2267    | 0.79 | F 97R57 | 4    |         |      | 12      | 190  | 117.88 | 1.0  |         |      |         |      | 14    | 162  | 100.36  | 1.2  |         |      | 16       | 140  | 86.53    | 1.3  | 17      | 130  | 80.65   | 1.4  |         |      | 20       | 114  | 70.50   | 1.7  |         |      | 21      | 107  | 66.09   | 1.8  | 24       | 94   | 58.32   | 2.0  | 25      | 88   | 54.54    | 2.1  | 27   | 83   | 51.70   | 2.3  | 30      | 76   | 47.02   | 2.5  | 32      | 71   | 43.83    | 2.7  | 36      | 62   | 38.31    | 3.0  | 39      | 58   | 35.91  | 3.2  | 44      | 51   | 31.69    | 3.7  | 49      | 45   | 28.09   | 4.1  | 58      | 39   | 23.88    | 4.9  | 59      | 38   | 23.63   | 4.9  | 68      | 33   | 20.57    | 5.7  | 72      | 31   | 19.27 | 6.0  | 82     | 27   | 17.03    | 6.8  | 88      | 26   | 15.81   | 7.4  | 97   | 23   | 14.33   | 8.1  | 108      | 21   | 12.87    | 9.0  | 125     | 18   | 11.08    | 10   | 133  | 17   | 10.42   | 10   | 155     | 14   | 8.97    | 11   | 185      | 12   | 7.51  | 11   |        |      |          |      |      |      |       |      |        |      |         |      |      |      |        |      |        |      |         |      |     |      |        |      |         |      |       |      |        |      |          |      |       |      |         |      |        |      |         |     |      |      |        |      |         |     |        |      |         |     |        |      |        |     |        |      |       |      |         |      |        |     |        |      |       |     |        |      |       |     |        |     |       |     |       |      |       |      |         |     |       |     |        |     |       |     |        |     |       |     |       |     |       |     |       |     |       |     |       |     |       |     |       |     |       |     |       |     |       |     |       |     |       |     |       |     |       |     |       |     |       |     |       |     |       |     |       |     |       |     |       |     |       |     |       |     |       |     |       |     |       |     |       |     |       |     |       |     |       |     |       |     |       |    |       |     |       |    |       |     |      |    |       |     |      |    |       |     |     |    |       |     |     |    |       |    |     |    |       |    |     |    |      |    |     |    |
| 12            | 195        | 120.70   | 1.9                    | 13          | 168     |               |            | 104.33   | 2.2                    | 16          | 143     | 88.65    | 2.6   |               |      | 1.1     | 2941 | 1300          | 1.0   | F 87R57 | 4    | 0.36          | 8751 | 3868     | 1.29  | F 77R37       | 4     |         |      | 1.2      | 2597  | 1148    | 1.1  |          |       |         |      | 1.4      | 2285 | 1010    | 1.2  |         |       |         |      | 1.6      | 2007 | 887     | 1.4  |         |       | 1.8     | 1765 | 780     | 1.6   | 2.1      | 1525  | 674      | 1.8   | 2.3      | 1378  | 609      | 2.0   | 2.7     | 1165 | 515      | 2.4  | 3.1      | 1023  | 452      | 2.8   | 1.7      | 1833 | 810      | 0.77  | F 77R37 | 4    | 0.41     | 7699  | 3403    | 1.47 | F 67R37  | 4    |         |      | 2.0     | 1606  | 710     | 0.88  |          |      |         |      | 2.3      | 1357 | 600     | 1.04  |          |       |          |       | 2.6     | 1188  | 525     | 1.19  |          |      | 3.0     | 1061 | 469     | 1.33 | 3.4     | 932   | 412     | 1.51  | 3.9     | 808  | 357     | 1.75  | 4.4     | 710  | 314      | 1.98  | 3.3     | 966  | 427     | 0.80  | F 67R37  | 4    | 0.47    | 6758 | 2987     | 1.67 | F 57R37  | 4    |         |       | 3.8      | 828   | 366      | 0.93 |         |       |         |       | 4.3      | 731  | 323     | 1.05 |         |       |         |      | 4.8      | 656   | 290     | 1.17 |         |      | 5.4     | 581  | 257     | 1.33 | 6.3     | 498  | 220     | 1.55 | 5.6     | 563   | 249     | 1.00 | F 57R37 | 4    | 0.46    | 6871 | 3037    | 1.07 | F 107R77 | 4    |         |      | 7.1     | 446  | 197     | 1.27 |          |       |         |      | 7.7      | 410  | 181      | 1.38 |          |      |         |      | 5.3     | 593  | 262     | 0.95 |          |      | 6.2     | 511  | 226     | 1.10 | 7.0     | 452  | 200     | 1.25 | 8.4     | 376  | 166     | 1.50 | 9.1     | 344  | 152      | 1.64 | 10      | 303  | 134     | 1.86 | 11      | 207  | 128.51  | 0.9  | F 37     | 4    | 0.61    | 5129 | 2267    | 0.79 | F 97R57 | 4    |         |      | 12       | 190  | 117.88  | 1.0  |         |      |         |      | 14      | 162  | 100.36 | 1.2  |         |      |         |      | 16    | 140  | 86.53   | 1.3  |         |      | 17       | 130  | 80.65    | 1.4  | 20      | 114  | 70.50   | 1.7  | 21      | 107  | 66.09    | 1.8  | 24      | 94   | 58.32   | 2.0  | 25      | 88   | 54.54   | 2.1  | 27       | 83   | 51.70   | 2.3  | 30      | 76   | 47.02    | 2.5  | 32   | 71   | 43.83   | 2.7  | 36      | 62   | 38.31   | 3.0  | 39      | 58   | 35.91    | 3.2  | 44      | 51   | 31.69    | 3.7  | 49      | 45   | 28.09  | 4.1  | 58      | 39   | 23.88    | 4.9  | 59      | 38   | 23.63   | 4.9  | 68      | 33   | 20.57    | 5.7  | 72      | 31   | 19.27   | 6.0  | 82      | 27   | 17.03    | 6.8  | 88      | 26   | 15.81 | 7.4  | 97     | 23   | 14.33    | 8.1  | 108     | 21   | 12.87   | 9.0  | 125  | 18   | 11.08   | 10   | 133      | 17   | 10.42    | 10   | 155     | 14   | 8.97     | 11   | 185  | 12   | 7.51    | 11   |         |      |         |      |          |      |       |      |        |      |          |      |      |      |       |      |        |      |         |      |      |      |        |      |        |      |         |      |     |      |        |      |         |      |       |      |        |      |          |      |       |      |         |      |        |      |         |     |      |      |        |      |         |     |        |      |         |     |        |      |        |     |        |      |       |      |         |      |        |     |        |      |       |     |        |      |       |     |        |     |       |     |       |      |       |      |         |     |       |     |        |     |       |     |        |     |       |     |       |     |       |     |       |     |       |     |       |     |       |     |       |     |       |     |       |     |       |     |       |     |       |     |       |     |       |     |       |     |       |     |       |     |       |     |       |     |       |     |       |     |       |     |       |     |       |     |       |     |       |     |       |     |       |     |       |     |       |     |       |     |       |    |       |     |       |    |       |     |      |    |       |     |      |    |       |     |     |    |       |     |     |    |       |    |     |    |       |    |     |    |      |    |     |    |
| 13            | 168        | 104.33   | 2.2                    | 16          | 143     | 88.65         | 2.6        | 1.1      | 2941                   | 1300        | 1.0     | F 87R57  | 4     | 0.36          | 8751 | 3868    | 1.29 | F 77R37       | 4     |         |      | 1.2           | 2597 | 1148     | 1.1   |               |       |         |      | 1.4      | 2285  | 1010    | 1.2  |          |       |         |      | 1.6      | 2007 | 887     | 1.4  |         |       |         |      | 1.8      | 1765 | 780     | 1.6  |         |       | 2.1     | 1525 | 674     | 1.8   | 2.3      | 1378  | 609      | 2.0   | 2.7      | 1165  | 515      | 2.4   | 3.1     | 1023 | 452      | 2.8  | 1.7      | 1833  | 810      | 0.77  | F 77R37  | 4    | 0.41     | 7699  |         |      | 3403     | 1.47  | F 67R37 | 4    |          |      |         |      | 2.0     | 1606  | 710     | 0.88  |          |      |         |      | 2.3      | 1357 | 600     | 1.04  |          |       |          |       | 2.6     | 1188  | 525     | 1.19  |          |      | 3.0     | 1061 | 469     | 1.33 | 3.4     | 932   | 412     | 1.51  | 3.9     | 808  | 357     | 1.75  | 4.4     | 710  | 314      | 1.98  | 3.3     | 966  | 427     | 0.80  |          |      | F 67R37 | 4    | 0.47     | 6758 |          |      |         |       | 2987     | 1.67  | F 57R37  | 4    |         |       |         |       | 3.8      | 828  | 366     | 0.93 |         |       |         |      | 4.3      | 731   | 323     | 1.05 |         |      | 4.8     | 656  | 290     | 1.17 | 5.4     | 581  | 257     | 1.33 | 6.3     | 498   | 220     | 1.55 |         |      | 5.6     | 563  | 249     | 1.00 |          |      |         |      | F 57R37 | 4    | 0.46    | 6871 |          |       |         |      | 3037     | 1.07 | F 107R77 | 4    |          |      |         |      | 7.1     | 446  | 197     | 1.27 |          |      | 7.7     | 410  | 181     | 1.38 | 5.3     | 593  | 262     | 0.95 | 6.2     | 511  | 226     | 1.10 | 7.0     | 452  | 200      | 1.25 | 8.4     | 376  | 166     | 1.50 | 9.1     | 344  | 152     | 1.64 |          |      | 10      | 303  | 134     | 1.86 |         |      |         |      | 11       | 207  | 128.51  | 0.9  |         |      |         |      | F 37    | 4    | 0.61   | 5129 |         |      |         |      | 2267  | 0.79 | F 97R57 | 4    |         |      | 12       | 190  | 117.88   | 1.0  | 14      | 162  | 100.36  | 1.2  | 16      | 140  | 86.53    | 1.3  | 17      | 130  | 80.65   | 1.4  | 20      | 114  | 70.50   | 1.7  | 21       | 107  | 66.09   | 1.8  | 24      | 94   | 58.32    | 2.0  | 25   | 88   | 54.54   | 2.1  | 27      | 83   | 51.70   | 2.3  | 30      | 76   | 47.02    | 2.5  | 32      | 71   | 43.83    | 2.7  | 36      | 62   | 38.31  | 3.0  | 39      | 58   | 35.91    | 3.2  | 44      | 51   | 31.69   | 3.7  | 49      | 45   | 28.09    | 4.1  | 58      | 39   | 23.88   | 4.9  | 59      | 38   | 23.63    | 4.9  | 68      | 33   | 20.57 | 5.7  | 72     | 31   | 19.27    | 6.0  | 82      | 27   | 17.03   | 6.8  | 88   | 26   | 15.81   | 7.4  | 97       | 23   | 14.33    | 8.1  | 108     | 21   | 12.87    | 9.0  | 125  | 18   | 11.08   | 10   | 133     | 17   | 10.42   | 10   | 155      | 14   | 8.97  | 11   | 185    | 12   | 7.51     | 11   |      |      |       |      |        |      |         |      |      |      |        |      |        |      |         |      |     |      |        |      |         |      |       |      |        |      |          |      |       |      |         |      |        |      |         |     |      |      |        |      |         |     |        |      |         |     |        |      |        |     |        |      |       |      |         |      |        |     |        |      |       |     |        |      |       |     |        |     |       |     |       |      |       |      |         |     |       |     |        |     |       |     |        |     |       |     |       |     |       |     |       |     |       |     |       |     |       |     |       |     |       |     |       |     |       |     |       |     |       |     |       |     |       |     |       |     |       |     |       |     |       |     |       |     |       |     |       |     |       |     |       |     |       |     |       |     |       |     |       |     |       |     |       |     |       |     |       |     |       |    |       |     |       |    |       |     |      |    |       |     |      |    |       |     |     |    |       |     |     |    |       |    |     |    |       |    |     |    |      |    |     |    |
| 16            | 143        | 88.65    | 2.6                    | 1.1         | 2941    | 1300          | 1.0        | F 87R57  | 4                      | 0.36        | 8751    |          |       | 3868          | 1.29 | F 77R37 | 4    |               |       |         |      | 1.2           | 2597 | 1148     | 1.1   |               |       |         |      | 1.4      | 2285  | 1010    | 1.2  |          |       |         |      | 1.6      | 2007 | 887     | 1.4  |         |       | 1.8     | 1765 | 780      | 1.6  | 2.1     | 1525 | 674     | 1.8   | 2.3     | 1378 | 609     | 2.0   | 2.7      | 1165  | 515      | 2.4   | 3.1      | 1023  | 452      | 2.8   | 1.7     | 1833 | 810      | 0.77 | F 77R37  | 4     | 0.41     | 7699  |          |      | 3403     | 1.47  |         |      | F 67R37  | 4     |         |      |          |      |         |      | 2.0     | 1606  | 710     | 0.88  |          |      |         |      | 2.3      | 1357 | 600     | 1.04  |          |       | 2.6      | 1188  | 525     | 1.19  | 3.0     | 1061  | 469      | 1.33 | 3.4     | 932  | 412     | 1.51 | 3.9     | 808   | 357     | 1.75  | 4.4     | 710  | 314     | 1.98  | 3.3     | 966  | 427      | 0.80  | F 67R37 | 4    | 0.47    | 6758  |          |      |         |      | 2987     | 1.67 |          |      |         |       | F 57R37  | 4     |          |      |         |       |         |       | 3.8      | 828  | 366     | 0.93 |         |       | 4.3     | 731  | 323      | 1.05  | 4.8     | 656  | 290     | 1.17 | 5.4     | 581  | 257     | 1.33 | 6.3     | 498  | 220     | 1.55 | 5.6     | 563   | 249     | 1.00 |         |      | F 57R37 | 4    | 0.46    | 6871 |          |      |         |      |         |      | 3037    | 1.07 |          |       |         |      | F 107R77 | 4    |          |      |          |      | 7.1     | 446  | 197     | 1.27 | 7.7     | 410  | 181      | 1.38 | 5.3     | 593  | 262     | 0.95 | 6.2     | 511  | 226     | 1.10 | 7.0     | 452  | 200     | 1.25 | 8.4     | 376  | 166      | 1.50 | 9.1     | 344  | 152     | 1.64 | 10      | 303  | 134     | 1.86 |          |      | 11      | 207  | 128.51  | 0.9  |         |      |         |      | F 37     | 4    | 0.61    | 5129 |         |      |         |      |         |      | 2267   | 0.79 |         |      | F 97R57 | 4    | 12    | 190  |         |      | 117.88  | 1.0  | 14       | 162  | 100.36   | 1.2  | 16      | 140  | 86.53   | 1.3  | 17      | 130  | 80.65    | 1.4  | 20      | 114  | 70.50   | 1.7  | 21      | 107  | 66.09   | 1.8  | 24       | 94   | 58.32   | 2.0  | 25      | 88   | 54.54    | 2.1  | 27   | 83   | 51.70   | 2.3  | 30      | 76   | 47.02   | 2.5  | 32      | 71   | 43.83    | 2.7  | 36      | 62   | 38.31    | 3.0  | 39      | 58   | 35.91  | 3.2  | 44      | 51   | 31.69    | 3.7  | 49      | 45   | 28.09   | 4.1  | 58      | 39   | 23.88    | 4.9  | 59      | 38   | 23.63   | 4.9  | 68      | 33   | 20.57    | 5.7  | 72      | 31   | 19.27 | 6.0  | 82     | 27   | 17.03    | 6.8  | 88      | 26   | 15.81   | 7.4  | 97   | 23   | 14.33   | 8.1  | 108      | 21   | 12.87    | 9.0  | 125     | 18   | 11.08    | 10   | 133  | 17   | 10.42   | 10   | 155     | 14   | 8.97    | 11   | 185      | 12   | 7.51  | 11   |        |      |          |      |      |      |       |      |        |      |         |      |      |      |        |      |        |      |         |      |     |      |        |      |         |      |       |      |        |      |          |      |       |      |         |      |        |      |         |     |      |      |        |      |         |     |        |      |         |     |        |      |        |     |        |      |       |      |         |      |        |     |        |      |       |     |        |      |       |     |        |     |       |     |       |      |       |      |         |     |       |     |        |     |       |     |        |     |       |     |       |     |       |     |       |     |       |     |       |     |       |     |       |     |       |     |       |     |       |     |       |     |       |     |       |     |       |     |       |     |       |     |       |     |       |     |       |     |       |     |       |     |       |     |       |     |       |     |       |     |       |     |       |     |       |     |       |     |       |     |       |     |       |    |       |     |       |    |       |     |      |    |       |     |      |    |       |     |     |    |       |     |     |    |       |    |     |    |       |    |     |    |      |    |     |    |
| 1.1           | 2941       | 1300     | 1.0                    | F 87R57     | 4       | 0.36          | 8751       |          |                        | 3868        | 1.29    |          |       | F 77R37       | 4    |         |      |               |       |         |      |               |      |          |       |               |       |         |      |          |       |         |      |          |       |         |      |          |      |         |      |         |       |         |      |          |      |         |      |         |       |         |      |         |       |          |       |          |       |          |       |          |       |         |      |          |      |          |       |          |       |          |      |          |       |         |      |          |       |         |      |          |      |         |      |         |       |         |       |          |      |         |      |          |      |         |       |          |       |          |       |         |       |         |       |          |      |         |      |         |      |         |       |         |       |         |      |         |       |         |      |          |       |         |      |         |       |          |      |         |      |          |      |          |      |         |       |          |       |          |      |         |       |         |       |          |      |         |      |         |       |         |      |          |       |         |      |         |      |         |      |         |      |         |      |         |      |         |       |         |      |         |      |         |      |         |      |          |      |         |      |         |      |         |      |          |       |         |      |          |      |          |      |          |      |         |      |         |      |         |      |          |      |         |      |         |      |         |      |         |      |         |      |         |      |         |      |          |      |         |      |         |      |         |      |         |      |          |      |         |      |         |      |         |      |         |      |          |      |         |      |         |      |         |      |         |      |        |      |         |      |         |      |       |      |         |      |         |      |          |      |          |      |         |      |         |      |         |      |          |      |         |      |         |      |         |      |         |      |          |      |         |      |         |      |          |      |      |      |         |      |         |      |         |      |         |      |          |      |         |      |          |      |         |      |        |      |         |      |          |      |         |      |         |      |         |      |          |      |         |      |         |      |         |      |          |      |         |      |       |      |        |      |          |      |         |      |         |      |      |      |         |      |          |      |          |      |         |      |          |      |      |      |         |      |         |      |         |      |          |      |       |      |        |      |          |      |      |      |       |      |        |      |         |      |      |      |        |      |        |      |         |      |     |      |        |      |         |      |       |      |        |      |          |      |       |      |         |      |        |      |         |     |      |      |        |      |         |     |        |      |         |     |        |      |        |     |        |      |       |      |         |      |        |     |        |      |       |     |        |      |       |     |        |     |       |     |       |      |       |      |         |     |       |     |        |     |       |     |        |     |       |     |       |     |       |     |       |     |       |     |       |     |       |     |       |     |       |     |       |     |       |     |       |     |       |     |       |     |       |     |       |     |       |     |       |     |       |     |       |     |       |     |       |     |       |     |       |     |       |     |       |     |       |     |       |     |       |     |       |     |       |     |       |     |       |    |       |     |       |    |       |     |      |    |       |     |      |    |       |     |     |    |       |     |     |    |       |    |     |    |       |    |     |    |      |    |     |    |
| 1.2           | 2597       | 1148     | 1.1                    |             |         | 1.4           | 2285       |          |                        | 1010        | 1.2     |          |       |               |      |         |      |               |       |         |      | 1.6           | 2007 | 887      | 1.4   |               |       | 1.8     | 1765 | 780      | 1.6   | 2.1     | 1525 | 674      | 1.8   | 2.3     | 1378 | 609      | 2.0  | 2.7     | 1165 | 515     | 2.4   | 3.1     | 1023 | 452      | 2.8  | 1.7     | 1833 | 810     | 0.77  | F 77R37 | 4    | 0.41    | 7699  | 3403     | 1.47  | F 67R37  | 4     | 2.0      | 1606  | 710      | 0.88  | 2.3     | 1357 | 600      | 1.04 |          |       | 2.6      | 1188  |          |      | 525      | 1.19  |         |      |          |       |         |      |          |      | 3.0     | 1061 | 469     | 1.33  | 3.4     | 932   | 412      | 1.51 | 3.9     | 808  | 357      | 1.75 | 4.4     | 710   | 314      | 1.98  | 3.3      | 966   | 427     | 0.80  | F 67R37 | 4     | 0.47     | 6758 | 2987    | 1.67 | F 57R37 | 4    | 3.8     | 828   | 366     | 0.93  | 4.3     | 731  | 323     | 1.05  | 4.8     | 656  | 290      | 1.17  |         |      | 5.4     | 581   |          |      |         |      | 257      | 1.33 |          |      | 6.3     | 498   |          |       |          |      | 220     | 1.55  | 5.6     | 563   | 249      | 1.00 | F 57R37 | 4    | 0.46    | 6871  | 3037    | 1.07 | F 107R77 | 4     | 7.1     | 446  | 197     | 1.27 | 7.7     | 410  | 181     | 1.38 | 5.3     | 593  | 262     | 0.95 | 6.2     | 511   | 226     | 1.10 |         |      |         |      | 7.0     | 452  |          |      | 200     | 1.25 |         |      | 8.4     | 376  | 166      | 1.50  | 9.1     | 344  |          |      |          |      | 152      | 1.64 | 10      | 303  | 134     | 1.86 | 11      | 207  | 128.51   | 0.9  | F 37    | 4    | 0.61    | 5129 | 2267    | 0.79 | F 97R57 | 4    | 12      | 190  | 117.88  | 1.0  | 14      | 162  | 100.36   | 1.2  | 16      | 140  | 86.53   | 1.3  | 17      | 130  | 80.65   | 1.4  |          |      | 20      | 114  | 70.50   | 1.7  |         |      | 21      | 107  |          |      | 66.09   | 1.8  | 24      | 94   | 58.32   | 2.0  |         |      | 25     | 88   | 54.54   | 2.1  |         |      | 27    | 83   |         |      | 51.70   | 2.3  | 30       | 76   | 47.02    | 2.5  | 32      | 71   | 43.83   | 2.7  | 36      | 62   | 38.31    | 3.0  | 39      | 58   | 35.91   | 3.2  | 44      | 51   | 31.69   | 3.7  | 49       | 45   | 28.09   | 4.1  | 58      | 39   | 23.88    | 4.9  | 59   | 38   | 23.63   | 4.9  | 68      | 33   | 20.57   | 5.7  | 72      | 31   | 19.27    | 6.0  | 82      | 27   | 17.03    | 6.8  | 88      | 26   | 15.81  | 7.4  | 97      | 23   | 14.33    | 8.1  | 108     | 21   | 12.87   | 9.0  | 125     | 18   | 11.08    | 10   | 133     | 17   | 10.42   | 10   | 155     | 14   | 8.97     | 11   | 185     | 12   | 7.51  | 11   |        |      |          |      |         |      |         |      |      |      |         |      |          |      |          |      |         |      |          |      |      |      |         |      |         |      |         |      |          |      |       |      |        |      |          |      |      |      |       |      |        |      |         |      |      |      |        |      |        |      |         |      |     |      |        |      |         |      |       |      |        |      |          |      |       |      |         |      |        |      |         |     |      |      |        |      |         |     |        |      |         |     |        |      |        |     |        |      |       |      |         |      |        |     |        |      |       |     |        |      |       |     |        |     |       |     |       |      |       |      |         |     |       |     |        |     |       |     |        |     |       |     |       |     |       |     |       |     |       |     |       |     |       |     |       |     |       |     |       |     |       |     |       |     |       |     |       |     |       |     |       |     |       |     |       |     |       |     |       |     |       |     |       |     |       |     |       |     |       |     |       |     |       |     |       |     |       |     |       |     |       |     |       |     |       |    |       |     |       |    |       |     |      |    |       |     |      |    |       |     |     |    |       |     |     |    |       |    |     |    |       |    |     |    |      |    |     |    |
| 1.4           | 2285       | 1010     | 1.2                    |             |         | 1.6           | 2007       |          |                        | 887         | 1.4     |          |       |               |      |         |      |               |       | 1.8     | 1765 | 780           | 1.6  | 2.1      | 1525  | 674           | 1.8   | 2.3     | 1378 | 609      | 2.0   | 2.7     | 1165 | 515      | 2.4   | 3.1     | 1023 | 452      | 2.8  | 1.7     | 1833 | 810     | 0.77  | F 77R37 | 4    | 0.41     | 7699 | 3403    | 1.47 | F 67R37 | 4     |         |      | 2.0     | 1606  | 710      | 0.88  |          |       | 2.3      | 1357  | 600      | 1.04  | 2.6     | 1188 | 525      | 1.19 |          |       | 3.0      | 1061  |          |      | 469      | 1.33  | 3.4     | 932  |          |       |         |      | 412      | 1.51 | 3.9     | 808  | 357     | 1.75  | 4.4     | 710   | 314      | 1.98 | 3.3     | 966  | 427      | 0.80 | F 67R37 | 4     | 0.47     | 6758  | 2987     | 1.67  | F 57R37 | 4     |         |       | 3.8      | 828  | 366     | 0.93 |         |      | 4.3     | 731   | 323     | 1.05  | 4.8     | 656  | 290     | 1.17  | 5.4     | 581  | 257      | 1.33  |         |      | 6.3     | 498   | 220      | 1.55 |         |      | 5.6      | 563  | 249      | 1.00 | F 57R37 | 4     |          |       |          |      | 0.46    | 6871  | 3037    | 1.07  | F 107R77 | 4    |         |      | 7.1     | 446   | 197     | 1.27 |          |       | 7.7     | 410  | 181     | 1.38 | 5.3     | 593  | 262     | 0.95 | 6.2     | 511  | 226     | 1.10 | 7.0     | 452   | 200     | 1.25 | 8.4     | 376  |         |      | 166     | 1.50 | 9.1      | 344  | 152     | 1.64 |         |      | 10      | 303  | 134      | 1.86  | 11      | 207  |          |      |          |      | 128.51   | 0.9  | F 37    | 4    | 0.61    | 5129 | 2267    | 0.79 | F 97R57  | 4    |         |      | 12      | 190  | 117.88  | 1.0  |         |      | 14      | 162  | 100.36  | 1.2  | 16      | 140  | 86.53    | 1.3  | 17      | 130  | 80.65   | 1.4  | 20      | 114  | 70.50   | 1.7  | 21       | 107  | 66.09   | 1.8  | 24      | 94   | 58.32   | 2.0  | 25      | 88   |          |      | 54.54   | 2.1  | 27      | 83   | 51.70   | 2.3  |         |      | 30     | 76   | 47.02   | 2.5  |         |      | 32    | 71   |         |      | 43.83   | 2.7  | 36       | 62   | 38.31    | 3.0  | 39      | 58   | 35.91   | 3.2  | 44      | 51   | 31.69    | 3.7  | 49      | 45   | 28.09   | 4.1  | 58      | 39   | 23.88   | 4.9  | 59       | 38   | 23.63   | 4.9  | 68      | 33   | 20.57    | 5.7  | 72   | 31   | 19.27   | 6.0  | 82      | 27   | 17.03   | 6.8  | 88      | 26   | 15.81    | 7.4  | 97      | 23   | 14.33    | 8.1  | 108     | 21   | 12.87  | 9.0  | 125     | 18   | 11.08    | 10   | 133     | 17   | 10.42   | 10   | 155     | 14   | 8.97     | 11   | 185     | 12   | 7.51    | 11   |         |      |          |      |         |      |       |      |        |      |          |      |         |      |         |      |      |      |         |      |          |      |          |      |         |      |          |      |      |      |         |      |         |      |         |      |          |      |       |      |        |      |          |      |      |      |       |      |        |      |         |      |      |      |        |      |        |      |         |      |     |      |        |      |         |      |       |      |        |      |          |      |       |      |         |      |        |      |         |     |      |      |        |      |         |     |        |      |         |     |        |      |        |     |        |      |       |      |         |      |        |     |        |      |       |     |        |      |       |     |        |     |       |     |       |      |       |      |         |     |       |     |        |     |       |     |        |     |       |     |       |     |       |     |       |     |       |     |       |     |       |     |       |     |       |     |       |     |       |     |       |     |       |     |       |     |       |     |       |     |       |     |       |     |       |     |       |     |       |     |       |     |       |     |       |     |       |     |       |     |       |     |       |     |       |     |       |     |       |     |       |     |       |    |       |     |       |    |       |     |      |    |       |     |      |    |       |     |     |    |       |     |     |    |       |    |     |    |       |    |     |    |      |    |     |    |
| 1.6           | 2007       | 887      | 1.4                    |             |         | 1.8           | 1765       |          |                        | 780         | 1.6     | 2.1      | 1525  |               |      |         |      | 674           | 1.8   | 2.3     | 1378 | 609           | 2.0  | 2.7      | 1165  | 515           | 2.4   | 3.1     | 1023 | 452      | 2.8   | 1.7     | 1833 | 810      | 0.77  | F 77R37 | 4    | 0.41     | 7699 | 3403    | 1.47 | F 67R37 | 4     |         |      | 2.0      | 1606 | 710     | 0.88 |         |       |         |      | 2.3     | 1357  | 600      | 1.04  |          |       | 2.6      | 1188  | 525      | 1.19  | 3.0     | 1061 | 469      | 1.33 |          |       | 3.4      | 932   | 412      | 1.51 | 3.9      | 808   | 357     | 1.75 |          |       | 4.4     | 710  | 314      | 1.98 | 3.3     | 966  | 427     | 0.80  | F 67R37 | 4     | 0.47     | 6758 | 2987    | 1.67 | F 57R37  | 4    |         |       | 3.8      | 828   | 366      | 0.93  |         |       |         |       | 4.3      | 731  | 323     | 1.05 |         |      | 4.8     | 656   | 290     | 1.17  | 5.4     | 581  | 257     | 1.33  | 6.3     | 498  | 220      | 1.55  |         |      | 5.6     | 563   | 249      | 1.00 | F 57R37 | 4    | 0.46     | 6871 | 3037     | 1.07 |         |       |          |       | F 107R77 | 4    | 7.1     | 446   | 197     | 1.27  |          |      |         |      | 7.7     | 410   | 181     | 1.38 |          |       | 5.3     | 593  | 262     | 0.95 | 6.2     | 511  | 226     | 1.10 | 7.0     | 452  | 200     | 1.25 | 8.4     | 376   | 166     | 1.50 | 9.1     | 344  |         |      | 152     | 1.64 | 10       | 303  | 134     | 1.86 | 11      | 207  | 128.51  | 0.9  | F 37     | 4     | 0.61    | 5129 |          |      | 2267     | 0.79 | F 97R57  | 4    |         |      | 12      | 190  | 117.88  | 1.0  |          |      |         |      | 14      | 162  | 100.36  | 1.2  |         |      | 16      | 140  | 86.53   | 1.3  | 17      | 130  | 80.65    | 1.4  | 20      | 114  | 70.50   | 1.7  | 21      | 107  | 66.09   | 1.8  | 24       | 94   | 58.32   | 2.0  | 25      | 88   | 54.54   | 2.1  | 27      | 83   |          |      | 51.70   | 2.3  | 30      | 76   | 47.02   | 2.5  | 32      | 71   | 43.83  | 2.7  | 36      | 62   |         |      | 38.31 | 3.0  | 39      | 58   | 35.91   | 3.2  | 44       | 51   | 31.69    | 3.7  | 49      | 45   | 28.09   | 4.1  | 58      | 39   | 23.88    | 4.9  | 59      | 38   | 23.63   | 4.9  | 68      | 33   | 20.57   | 5.7  | 72       | 31   | 19.27   | 6.0  | 82      | 27   | 17.03    | 6.8  | 88   | 26   | 15.81   | 7.4  | 97      | 23   | 14.33   | 8.1  | 108     | 21   | 12.87    | 9.0  | 125     | 18   | 11.08    | 10   | 133     | 17   | 10.42  | 10   | 155     | 14   | 8.97     | 11   | 185     | 12   | 7.51    | 11   |         |      |          |      |         |      |         |      |         |      |          |      |         |      |       |      |        |      |          |      |         |      |         |      |      |      |         |      |          |      |          |      |         |      |          |      |      |      |         |      |         |      |         |      |          |      |       |      |        |      |          |      |      |      |       |      |        |      |         |      |      |      |        |      |        |      |         |      |     |      |        |      |         |      |       |      |        |      |          |      |       |      |         |      |        |      |         |     |      |      |        |      |         |     |        |      |         |     |        |      |        |     |        |      |       |      |         |      |        |     |        |      |       |     |        |      |       |     |        |     |       |     |       |      |       |      |         |     |       |     |        |     |       |     |        |     |       |     |       |     |       |     |       |     |       |     |       |     |       |     |       |     |       |     |       |     |       |     |       |     |       |     |       |     |       |     |       |     |       |     |       |     |       |     |       |     |       |     |       |     |       |     |       |     |       |     |       |     |       |     |       |     |       |     |       |     |       |     |       |     |       |    |       |     |       |    |       |     |      |    |       |     |      |    |       |     |     |    |       |     |     |    |       |    |     |    |       |    |     |    |      |    |     |    |
| 1.8           | 1765       | 780      | 1.6                    |             |         | 2.1           | 1525       | 674      | 1.8                    | 2.3         | 1378    | 609      | 2.0   |               |      | 2.7     | 1165 | 515           | 2.4   | 3.1     | 1023 | 452           | 2.8  | 1.7      | 1833  | 810           | 0.77  | F 77R37 | 4    | 0.41     | 7699  | 3403    | 1.47 | F 67R37  | 4     |         |      | 2.0      | 1606 | 710     | 0.88 |         |       |         |      | 2.3      | 1357 | 600     | 1.04 |         |       |         |      | 2.6     | 1188  | 525      | 1.19  |          |       | 3.0      | 1061  | 469      | 1.33  | 3.4     | 932  | 412      | 1.51 | 3.9      | 808   | 357      | 1.75  | 4.4      | 710  | 314      | 1.98  | 3.3     | 966  | 427      | 0.80  | F 67R37 | 4    | 0.47     | 6758 | 2987    | 1.67 | F 57R37 | 4     |         |       | 3.8      | 828  | 366     | 0.93 |          |      |         |       | 4.3      | 731   | 323      | 1.05  |         |       |         |       | 4.8      | 656  | 290     | 1.17 |         |      | 5.4     | 581   | 257     | 1.33  | 6.3     | 498  | 220     | 1.55  | 5.6     | 563  | 249      | 1.00  | F 57R37 | 4    | 0.46    | 6871  | 3037     | 1.07 |         |      | F 107R77 | 4    | 7.1      | 446  |         |       | 197      | 1.27  |          |      | 7.7     | 410   | 181     | 1.38  |          |      |         |      | 5.3     | 593   | 262     | 0.95 |          |       | 6.2     | 511  | 226     | 1.10 | 7.0     | 452  | 200     | 1.25 | 8.4     | 376  | 166     | 1.50 | 9.1     | 344   | 152     | 1.64 | 10      | 303  | 134     | 1.86 | 11      | 207  | 128.51   | 0.9  | F 37    | 4    | 0.61    | 5129 | 2267    | 0.79 |          |       | F 97R57 | 4    | 12       | 190  | 117.88   | 1.0  |          |      |         |      | 14      | 162  | 100.36  | 1.2  |          |      |         |      | 16      | 140  | 86.53   | 1.3  |         |      | 17      | 130  | 80.65   | 1.4  | 20      | 114  | 70.50    | 1.7  | 21      | 107  | 66.09   | 1.8  | 24      | 94   | 58.32   | 2.0  | 25       | 88   | 54.54   | 2.1  | 27      | 83   | 51.70   | 2.3  | 30      | 76   | 47.02    | 2.5  | 32      | 71   | 43.83   | 2.7  | 36      | 62   | 38.31   | 3.0  | 39     | 58   | 35.91   | 3.2  | 44      | 51   | 31.69 | 3.7  | 49      | 45   | 28.09   | 4.1  | 58       | 39   | 23.88    | 4.9  | 59      | 38   | 23.63   | 4.9  | 68      | 33   | 20.57    | 5.7  | 72      | 31   | 19.27   | 6.0  | 82      | 27   | 17.03   | 6.8  | 88       | 26   | 15.81   | 7.4  | 97      | 23   | 14.33    | 8.1  | 108  | 21   | 12.87   | 9.0  | 125     | 18   | 11.08   | 10   | 133     | 17   | 10.42    | 10   | 155     | 14   | 8.97     | 11   | 185     | 12   | 7.51   | 11   |         |      |          |      |         |      |         |      |         |      |          |      |         |      |         |      |         |      |          |      |         |      |       |      |        |      |          |      |         |      |         |      |      |      |         |      |          |      |          |      |         |      |          |      |      |      |         |      |         |      |         |      |          |      |       |      |        |      |          |      |      |      |       |      |        |      |         |      |      |      |        |      |        |      |         |      |     |      |        |      |         |      |       |      |        |      |          |      |       |      |         |      |        |      |         |     |      |      |        |      |         |     |        |      |         |     |        |      |        |     |        |      |       |      |         |      |        |     |        |      |       |     |        |      |       |     |        |     |       |     |       |      |       |      |         |     |       |     |        |     |       |     |        |     |       |     |       |     |       |     |       |     |       |     |       |     |       |     |       |     |       |     |       |     |       |     |       |     |       |     |       |     |       |     |       |     |       |     |       |     |       |     |       |     |       |     |       |     |       |     |       |     |       |     |       |     |       |     |       |     |       |     |       |     |       |     |       |     |       |    |       |     |       |    |       |     |      |    |       |     |      |    |       |     |     |    |       |     |     |    |       |    |     |    |       |    |     |    |      |    |     |    |
| 2.1           | 1525       | 674      | 1.8                    | 2.3         | 1378    | 609           | 2.0        | 2.7      | 1165                   | 515         | 2.4     | 3.1      | 1023  | 452           | 2.8  | 1.7     | 1833 | 810           | 0.77  | F 77R37 | 4    | 0.41          | 7699 | 3403     | 1.47  | F 67R37       | 4     |         |      | 2.0      | 1606  | 710     | 0.88 |          |       |         |      | 2.3      | 1357 | 600     | 1.04 |         |       |         |      | 2.6      | 1188 | 525     | 1.19 |         |       |         |      | 3.0     | 1061  | 469      | 1.33  |          |       | 3.4      | 932   | 412      | 1.51  | 3.9     | 808  | 357      | 1.75 | 4.4      | 710   | 314      | 1.98  | 3.3      | 966  | 427      | 0.80  | F 67R37 | 4    | 0.47     | 6758  |         |      | 2987     | 1.67 | F 57R37 | 4    |         |       |         |       | 3.8      | 828  | 366     | 0.93 |          |      |         |       | 4.3      | 731   | 323      | 1.05  |         |       |         |       | 4.8      | 656  | 290     | 1.17 |         |      | 5.4     | 581   | 257     | 1.33  | 6.3     | 498  | 220     | 1.55  | 5.6     | 563  | 249      | 1.00  |         |      | F 57R37 | 4     | 0.46     | 6871 |         |      |          |      | 3037     | 1.07 |         |       | F 107R77 | 4     |          |      | 7.1     | 446   | 197     | 1.27  |          |      |         |      | 7.7     | 410   | 181     | 1.38 |          |       | 5.3     | 593  | 262     | 0.95 | 6.2     | 511  | 226     | 1.10 | 7.0     | 452  | 200     | 1.25 | 8.4     | 376   | 166     | 1.50 | 9.1     | 344  | 152     | 1.64 | 10      | 303  | 134      | 1.86 |         |      | 11      | 207  | 128.51  | 0.9  |          |       |         |      | F 37     | 4    | 0.61     | 5129 |          |      |         |      | 2267    | 0.79 | F 97R57 | 4    |          |      |         |      | 12      | 190  | 117.88  | 1.0  |         |      | 14      | 162  | 100.36  | 1.2  | 16      | 140  | 86.53    | 1.3  | 17      | 130  | 80.65   | 1.4  | 20      | 114  | 70.50   | 1.7  | 21       | 107  | 66.09   | 1.8  | 24      | 94   | 58.32   | 2.0  | 25      | 88   | 54.54    | 2.1  | 27      | 83   | 51.70   | 2.3  | 30      | 76   | 47.02   | 2.5  | 32     | 71   | 43.83   | 2.7  | 36      | 62   | 38.31 | 3.0  | 39      | 58   | 35.91   | 3.2  | 44       | 51   | 31.69    | 3.7  | 49      | 45   | 28.09   | 4.1  | 58      | 39   | 23.88    | 4.9  | 59      | 38   | 23.63   | 4.9  | 68      | 33   | 20.57   | 5.7  | 72       | 31   | 19.27   | 6.0  | 82      | 27   | 17.03    | 6.8  | 88   | 26   | 15.81   | 7.4  | 97      | 23   | 14.33   | 8.1  | 108     | 21   | 12.87    | 9.0  | 125     | 18   | 11.08    | 10   | 133     | 17   | 10.42  | 10   | 155     | 14   | 8.97     | 11   | 185     | 12   | 7.51    | 11   |         |      |          |      |         |      |         |      |         |      |          |      |         |      |       |      |        |      |          |      |         |      |         |      |      |      |         |      |          |      |          |      |         |      |          |      |      |      |         |      |         |      |         |      |          |      |       |      |        |      |          |      |      |      |       |      |        |      |         |      |      |      |        |      |        |      |         |      |     |      |        |      |         |      |       |      |        |      |          |      |       |      |         |      |        |      |         |     |      |      |        |      |         |     |        |      |         |     |        |      |        |     |        |      |       |      |         |      |        |     |        |      |       |     |        |      |       |     |        |     |       |     |       |      |       |      |         |     |       |     |        |     |       |     |        |     |       |     |       |     |       |     |       |     |       |     |       |     |       |     |       |     |       |     |       |     |       |     |       |     |       |     |       |     |       |     |       |     |       |     |       |     |       |     |       |     |       |     |       |     |       |     |       |     |       |     |       |     |       |     |       |     |       |     |       |     |       |     |       |     |       |    |       |     |       |    |       |     |      |    |       |     |      |    |       |     |     |    |       |     |     |    |       |    |     |    |       |    |     |    |      |    |     |    |
| 2.3           | 1378       | 609      | 2.0                    | 2.7         | 1165    | 515           | 2.4        | 3.1      | 1023                   | 452         | 2.8     | 1.7      | 1833  | 810           | 0.77 | F 77R37 | 4    | 0.41          | 7699  |         |      | 3403          | 1.47 | F 67R37  | 4     |               |       |         |      | 2.0      | 1606  | 710     | 0.88 |          |       |         |      | 2.3      | 1357 | 600     | 1.04 |         |       |         |      | 2.6      | 1188 | 525     | 1.19 |         |       | 3.0     | 1061 | 469     | 1.33  | 3.4      | 932   | 412      | 1.51  | 3.9      | 808   | 357      | 1.75  | 4.4     | 710  | 314      | 1.98 | 3.3      | 966   | 427      | 0.80  | F 67R37  | 4    | 0.47     | 6758  |         |      | 2987     | 1.67  |         |      | F 57R37  | 4    |         |      |         |       |         |       | 3.8      | 828  | 366     | 0.93 |          |      |         |       | 4.3      | 731   | 323      | 1.05  |         |       | 4.8     | 656   | 290      | 1.17 | 5.4     | 581  | 257     | 1.33 | 6.3     | 498   | 220     | 1.55  | 5.6     | 563  | 249     | 1.00  | F 57R37 | 4    | 0.46     | 6871  |         |      |         |       | 3037     | 1.07 |         |      |          |      | F 107R77 | 4    |         |       |          |       |          |      | 7.1     | 446   | 197     | 1.27  |          |      | 7.7     | 410  | 181     | 1.38  | 5.3     | 593  | 262      | 0.95  | 6.2     | 511  | 226     | 1.10 | 7.0     | 452  | 200     | 1.25 | 8.4     | 376  | 166     | 1.50 | 9.1     | 344   | 152     | 1.64 | 10      | 303  | 134     | 1.86 | 11      | 207  | 128.51   | 0.9  |         |      | F 37    | 4    | 0.61    | 5129 |          |       |         |      |          |      | 2267     | 0.79 |          |      |         |      | F 97R57 | 4    |         |      |          |      | 12      | 190  | 117.88  | 1.0  | 14      | 162  | 100.36  | 1.2  | 16      | 140  | 86.53   | 1.3  | 17      | 130  | 80.65    | 1.4  | 20      | 114  | 70.50   | 1.7  | 21      | 107  | 66.09   | 1.8  | 24       | 94   | 58.32   | 2.0  | 25      | 88   | 54.54   | 2.1  | 27      | 83   | 51.70    | 2.3  | 30      | 76   | 47.02   | 2.5  | 32      | 71   | 43.83   | 2.7  | 36     | 62   | 38.31   | 3.0  | 39      | 58   | 35.91 | 3.2  | 44      | 51   | 31.69   | 3.7  | 49       | 45   | 28.09    | 4.1  | 58      | 39   | 23.88   | 4.9  | 59      | 38   | 23.63    | 4.9  | 68      | 33   | 20.57   | 5.7  | 72      | 31   | 19.27   | 6.0  | 82       | 27   | 17.03   | 6.8  | 88      | 26   | 15.81    | 7.4  | 97   | 23   | 14.33   | 8.1  | 108     | 21   | 12.87   | 9.0  | 125     | 18   | 11.08    | 10   | 133     | 17   | 10.42    | 10   | 155     | 14   | 8.97   | 11   | 185     | 12   | 7.51     | 11   |         |      |         |      |         |      |          |      |         |      |         |      |         |      |          |      |         |      |       |      |        |      |          |      |         |      |         |      |      |      |         |      |          |      |          |      |         |      |          |      |      |      |         |      |         |      |         |      |          |      |       |      |        |      |          |      |      |      |       |      |        |      |         |      |      |      |        |      |        |      |         |      |     |      |        |      |         |      |       |      |        |      |          |      |       |      |         |      |        |      |         |     |      |      |        |      |         |     |        |      |         |     |        |      |        |     |        |      |       |      |         |      |        |     |        |      |       |     |        |      |       |     |        |     |       |     |       |      |       |      |         |     |       |     |        |     |       |     |        |     |       |     |       |     |       |     |       |     |       |     |       |     |       |     |       |     |       |     |       |     |       |     |       |     |       |     |       |     |       |     |       |     |       |     |       |     |       |     |       |     |       |     |       |     |       |     |       |     |       |     |       |     |       |     |       |     |       |     |       |     |       |     |       |     |       |    |       |     |       |    |       |     |      |    |       |     |      |    |       |     |     |    |       |     |     |    |       |    |     |    |       |    |     |    |      |    |     |    |
| 2.7           | 1165       | 515      | 2.4                    | 3.1         | 1023    | 452           | 2.8        | 1.7      | 1833                   | 810         | 0.77    | F 77R37  | 4     | 0.41          | 7699 |         |      | 3403          | 1.47  |         |      | F 67R37       | 4    |          |       |               |       |         |      | 2.0      | 1606  | 710     | 0.88 |          |       |         |      | 2.3      | 1357 | 600     | 1.04 |         |       | 2.6     | 1188 | 525      | 1.19 | 3.0     | 1061 | 469     | 1.33  | 3.4     | 932  | 412     | 1.51  | 3.9      | 808   | 357      | 1.75  | 4.4      | 710   | 314      | 1.98  | 3.3     | 966  | 427      | 0.80 | F 67R37  | 4     | 0.47     | 6758  |          |      | 2987     | 1.67  |         |      | F 57R37  | 4     |         |      |          |      |         |      |         |       |         |       | 3.8      | 828  | 366     | 0.93 |          |      | 4.3     | 731   | 323      | 1.05  | 4.8      | 656   | 290     | 1.17  | 5.4     | 581   | 257      | 1.33 | 6.3     | 498  | 220     | 1.55 | 5.6     | 563   | 249     | 1.00  | F 57R37 | 4    | 0.46    | 6871  |         |      | 3037     | 1.07  |         |      |         |       | F 107R77 | 4    |         |      |          |      |          |      | 7.1     | 446   |          |       |          |      | 197     | 1.27  | 7.7     | 410   | 181      | 1.38 | 5.3     | 593  | 262     | 0.95  | 6.2     | 511  | 226      | 1.10  | 7.0     | 452  | 200     | 1.25 | 8.4     | 376  | 166     | 1.50 | 9.1     | 344  | 152     | 1.64 | 10      | 303   | 134     | 1.86 | 11      | 207  | 128.51  | 0.9  | F 37    | 4    | 0.61     | 5129 |         |      |         |      | 2267    | 0.79 |          |       |         |      |          |      | F 97R57  | 4    |          |      | 12      | 190  |         |      |         |      | 117.88   | 1.0  | 14      | 162  | 100.36  | 1.2  | 16      | 140  | 86.53   | 1.3  | 17      | 130  | 80.65   | 1.4  | 20      | 114  | 70.50    | 1.7  | 21      | 107  | 66.09   | 1.8  | 24      | 94   | 58.32   | 2.0  | 25       | 88   | 54.54   | 2.1  | 27      | 83   | 51.70   | 2.3  | 30      | 76   | 47.02    | 2.5  | 32      | 71   | 43.83   | 2.7  | 36      | 62   | 38.31   | 3.0  | 39     | 58   | 35.91   | 3.2  | 44      | 51   | 31.69 | 3.7  | 49      | 45   | 28.09   | 4.1  | 58       | 39   | 23.88    | 4.9  | 59      | 38   | 23.63   | 4.9  | 68      | 33   | 20.57    | 5.7  | 72      | 31   | 19.27   | 6.0  | 82      | 27   | 17.03   | 6.8  | 88       | 26   | 15.81   | 7.4  | 97      | 23   | 14.33    | 8.1  | 108  | 21   | 12.87   | 9.0  | 125     | 18   | 11.08   | 10   | 133     | 17   | 10.42    | 10   | 155     | 14   | 8.97     | 11   | 185     | 12   | 7.51   | 11   |         |      |          |      |         |      |         |      |         |      |          |      |         |      |         |      |         |      |          |      |         |      |       |      |        |      |          |      |         |      |         |      |      |      |         |      |          |      |          |      |         |      |          |      |      |      |         |      |         |      |         |      |          |      |       |      |        |      |          |      |      |      |       |      |        |      |         |      |      |      |        |      |        |      |         |      |     |      |        |      |         |      |       |      |        |      |          |      |       |      |         |      |        |      |         |     |      |      |        |      |         |     |        |      |         |     |        |      |        |     |        |      |       |      |         |      |        |     |        |      |       |     |        |      |       |     |        |     |       |     |       |      |       |      |         |     |       |     |        |     |       |     |        |     |       |     |       |     |       |     |       |     |       |     |       |     |       |     |       |     |       |     |       |     |       |     |       |     |       |     |       |     |       |     |       |     |       |     |       |     |       |     |       |     |       |     |       |     |       |     |       |     |       |     |       |     |       |     |       |     |       |     |       |     |       |     |       |     |       |    |       |     |       |    |       |     |      |    |       |     |      |    |       |     |     |    |       |     |     |    |       |    |     |    |       |    |     |    |      |    |     |    |
| 3.1           | 1023       | 452      | 2.8                    | 1.7         | 1833    | 810           | 0.77       | F 77R37  | 4                      | 0.41        | 7699    |          |       | 3403          | 1.47 |         |      | F 67R37       | 4     |         |      |               |      |          |       |               |       |         |      | 2.0      | 1606  | 710     | 0.88 |          |       | 2.3     | 1357 | 600      | 1.04 | 2.6     | 1188 | 525     | 1.19  | 3.0     | 1061 | 469      | 1.33 | 3.4     | 932  | 412     | 1.51  | 3.9     | 808  | 357     | 1.75  | 4.4      | 710   | 314      | 1.98  | 3.3      | 966   | 427      | 0.80  | F 67R37 | 4    | 0.47     | 6758 |          |       | 2987     | 1.67  |          |      | F 57R37  | 4     |         |      |          |       |         |      |          |      |         |      |         |       | 3.8     | 828   | 366      | 0.93 | 4.3     | 731  | 323      | 1.05 | 4.8     | 656   | 290      | 1.17  | 5.4      | 581   | 257     | 1.33  | 6.3     | 498   | 220      | 1.55 | 5.6     | 563  | 249     | 1.00 | F 57R37 | 4     | 0.46    | 6871  |         |      | 3037    | 1.07  |         |      | F 107R77 | 4     |         |      |         |       |          |      | 7.1     | 446  |          |      |          |      | 197     | 1.27  |          |       | 7.7      | 410  | 181     | 1.38  | 5.3     | 593   | 262      | 0.95 | 6.2     | 511  | 226     | 1.10  | 7.0     | 452  | 200      | 1.25  | 8.4     | 376  | 166     | 1.50 | 9.1     | 344  | 152     | 1.64 | 10      | 303  | 134     | 1.86 | 11      | 207   | 128.51  | 0.9  | F 37    | 4    | 0.61    | 5129 |         |      | 2267     | 0.79 |         |      |         |      | F 97R57 | 4    | 12       | 190   |         |      |          |      |          |      | 117.88   | 1.0  | 14      | 162  |         |      |         |      | 100.36   | 1.2  | 16      | 140  | 86.53   | 1.3  | 17      | 130  | 80.65   | 1.4  | 20      | 114  | 70.50   | 1.7  | 21      | 107  | 66.09    | 1.8  | 24      | 94   | 58.32   | 2.0  | 25      | 88   | 54.54   | 2.1  | 27       | 83   | 51.70   | 2.3  | 30      | 76   | 47.02   | 2.5  | 32      | 71   | 43.83    | 2.7  | 36      | 62   | 38.31   | 3.0  | 39      | 58   | 35.91   | 3.2  | 44     | 51   | 31.69   | 3.7  | 49      | 45   | 28.09 | 4.1  | 58      | 39   | 23.88   | 4.9  | 59       | 38   | 23.63    | 4.9  | 68      | 33   | 20.57   | 5.7  | 72      | 31   | 19.27    | 6.0  | 82      | 27   | 17.03   | 6.8  | 88      | 26   | 15.81   | 7.4  | 97       | 23   | 14.33   | 8.1  | 108     | 21   | 12.87    | 9.0  | 125  | 18   | 11.08   | 10   | 133     | 17   | 10.42   | 10   | 155     | 14   | 8.97     | 11   | 185     | 12   | 7.51     | 11   |         |      |        |      |         |      |          |      |         |      |         |      |         |      |          |      |         |      |         |      |         |      |          |      |         |      |       |      |        |      |          |      |         |      |         |      |      |      |         |      |          |      |          |      |         |      |          |      |      |      |         |      |         |      |         |      |          |      |       |      |        |      |          |      |      |      |       |      |        |      |         |      |      |      |        |      |        |      |         |      |     |      |        |      |         |      |       |      |        |      |          |      |       |      |         |      |        |      |         |     |      |      |        |      |         |     |        |      |         |     |        |      |        |     |        |      |       |      |         |      |        |     |        |      |       |     |        |      |       |     |        |     |       |     |       |      |       |      |         |     |       |     |        |     |       |     |        |     |       |     |       |     |       |     |       |     |       |     |       |     |       |     |       |     |       |     |       |     |       |     |       |     |       |     |       |     |       |     |       |     |       |     |       |     |       |     |       |     |       |     |       |     |       |     |       |     |       |     |       |     |       |     |       |     |       |     |       |     |       |     |       |     |       |    |       |     |       |    |       |     |      |    |       |     |      |    |       |     |     |    |       |     |     |    |       |    |     |    |       |    |     |    |      |    |     |    |
| 1.7           | 1833       | 810      | 0.77                   | F 77R37     | 4       | 0.41          | 7699       |          |                        | 3403        | 1.47    |          |       | F 67R37       | 4    |         |      |               |       |         |      |               |      |          |       |               |       |         |      |          |       |         |      |          |       |         |      |          |      |         |      |         |       |         |      |          |      |         |      |         |       |         |      |         |       |          |       |          |       |          |       |          |       |         |      |          |      |          |       |          |       |          |      |          |       |         |      |          |       |         |      |          |      |         |      |         |       |         |       |          |      |         |      |          |      |         |       |          |       |          |       |         |       |         |       |          |      |         |      |         |      |         |       |         |       |         |      |         |       |         |      |          |       |         |      |         |       |          |      |         |      |          |      |          |      |         |       |          |       |          |      |         |       |         |       |          |      |         |      |         |       |         |      |          |       |         |      |         |      |         |      |         |      |         |      |         |      |         |       |         |      |         |      |         |      |         |      |          |      |         |      |         |      |         |      |          |       |         |      |          |      |          |      |          |      |         |      |         |      |         |      |          |      |         |      |         |      |         |      |         |      |         |      |         |      |         |      |          |      |         |      |         |      |         |      |         |      |          |      |         |      |         |      |         |      |         |      |          |      |         |      |         |      |         |      |         |      |        |      |         |      |         |      |       |      |         |      |         |      |          |      |          |      |         |      |         |      |         |      |          |      |         |      |         |      |         |      |         |      |          |      |         |      |         |      |          |      |      |      |         |      |         |      |         |      |         |      |          |      |         |      |          |      |         |      |        |      |         |      |          |      |         |      |         |      |         |      |          |      |         |      |         |      |         |      |          |      |         |      |       |      |        |      |          |      |         |      |         |      |      |      |         |      |          |      |          |      |         |      |          |      |      |      |         |      |         |      |         |      |          |      |       |      |        |      |          |      |      |      |       |      |        |      |         |      |      |      |        |      |        |      |         |      |     |      |        |      |         |      |       |      |        |      |          |      |       |      |         |      |        |      |         |     |      |      |        |      |         |     |        |      |         |     |        |      |        |     |        |      |       |      |         |      |        |     |        |      |       |     |        |      |       |     |        |     |       |     |       |      |       |      |         |     |       |     |        |     |       |     |        |     |       |     |       |     |       |     |       |     |       |     |       |     |       |     |       |     |       |     |       |     |       |     |       |     |       |     |       |     |       |     |       |     |       |     |       |     |       |     |       |     |       |     |       |     |       |     |       |     |       |     |       |     |       |     |       |     |       |     |       |     |       |     |       |     |       |    |       |     |       |    |       |     |      |    |       |     |      |    |       |     |     |    |       |     |     |    |       |    |     |    |       |    |     |    |      |    |     |    |
| 2.0           | 1606       | 710      | 0.88                   |             |         | 2.3           | 1357       |          |                        | 600         | 1.04    |          |       |               |      |         |      |               |       | 2.6     | 1188 |               |      |          |       | 525           | 1.19  | 3.0     | 1061 | 469      | 1.33  | 3.4     | 932  | 412      | 1.51  | 3.9     | 808  | 357      | 1.75 | 4.4     | 710  | 314     | 1.98  | 3.3     | 966  | 427      | 0.80 | F 67R37 | 4    | 0.47    | 6758  | 2987    | 1.67 | F 57R37 | 4     | 3.8      | 828   | 366      | 0.93  | 4.3      | 731   | 323      | 1.05  |         |      | 4.8      | 656  |          |       | 290      | 1.17  |          |      |          |       | 5.4     | 581  |          |       | 257     | 1.33 |          |      | 6.3     | 498  | 220     | 1.55  | 5.6     | 563   | 249      | 1.00 | F 57R37 | 4    | 0.46     | 6871 | 3037    | 1.07  | F 107R77 | 4     | 7.1      | 446   | 197     | 1.27  | 7.7     | 410   | 181      | 1.38 | 5.3     | 593  | 262     | 0.95 |         |       | 6.2     | 511   |         |      | 226     | 1.10  |         |      |          |       | 7.0     | 452  | 200     | 1.25  |          |      | 8.4     | 376  | 166      | 1.50 |          |      | 9.1     | 344   | 152      | 1.64  | 10       | 303  | 134     | 1.86  | 11      | 207   | 128.51   | 0.9  | F 37    | 4    | 0.61    | 5129  | 2267    | 0.79 | F 97R57  | 4     | 12      | 190  | 117.88  | 1.0  | 14      | 162  | 100.36  | 1.2  | 16      | 140  | 86.53   | 1.3  | 17      | 130   | 80.65   | 1.4  |         |      | 20      | 114  |         |      | 70.50    | 1.7  | 21      | 107  |         |      |         |      | 66.09    | 1.8   | 24      | 94   | 58.32    | 2.0  |          |      | 25       | 88   | 54.54   | 2.1  |         |      | 27      | 83   | 51.70    | 2.3  | 30      | 76   | 47.02   | 2.5  | 32      | 71   | 43.83   | 2.7  | 36      | 62   | 38.31   | 3.0  | 39      | 58   | 35.91    | 3.2  | 44      | 51   | 31.69   | 3.7  | 49      | 45   | 28.09   | 4.1  | 58       | 39   | 23.88   | 4.9  | 59      | 38   | 23.63   | 4.9  | 68      | 33   | 20.57    | 5.7  | 72      | 31   | 19.27   | 6.0  | 82      | 27   | 17.03   | 6.8  | 88     | 26   | 15.81   | 7.4  | 97      | 23   | 14.33 | 8.1  | 108     | 21   | 12.87   | 9.0  | 125      | 18   | 11.08    | 10   | 133     | 17   | 10.42   | 10   | 155     | 14   | 8.97     | 11   | 185     | 12   | 7.51    | 11   |         |      |         |      |          |      |         |      |         |      |          |      |      |      |         |      |         |      |         |      |         |      |          |      |         |      |          |      |         |      |        |      |         |      |          |      |         |      |         |      |         |      |          |      |         |      |         |      |         |      |          |      |         |      |       |      |        |      |          |      |         |      |         |      |      |      |         |      |          |      |          |      |         |      |          |      |      |      |         |      |         |      |         |      |          |      |       |      |        |      |          |      |      |      |       |      |        |      |         |      |      |      |        |      |        |      |         |      |     |      |        |      |         |      |       |      |        |      |          |      |       |      |         |      |        |      |         |     |      |      |        |      |         |     |        |      |         |     |        |      |        |     |        |      |       |      |         |      |        |     |        |      |       |     |        |      |       |     |        |     |       |     |       |      |       |      |         |     |       |     |        |     |       |     |        |     |       |     |       |     |       |     |       |     |       |     |       |     |       |     |       |     |       |     |       |     |       |     |       |     |       |     |       |     |       |     |       |     |       |     |       |     |       |     |       |     |       |     |       |     |       |     |       |     |       |     |       |     |       |     |       |     |       |     |       |     |       |     |       |     |       |    |       |     |       |    |       |     |      |    |       |     |      |    |       |     |     |    |       |     |     |    |       |    |     |    |       |    |     |    |      |    |     |    |
| 2.3           | 1357       | 600      | 1.04                   |             |         | 2.6           | 1188       |          |                        | 525         | 1.19    |          |       |               |      | 3.0     | 1061 |               |       | 469     | 1.33 |               |      | 3.4      | 932   | 412           | 1.51  | 3.9     | 808  | 357      | 1.75  | 4.4     | 710  | 314      | 1.98  | 3.3     | 966  | 427      | 0.80 | F 67R37 | 4    | 0.47    | 6758  | 2987    | 1.67 | F 57R37  | 4    |         |      | 3.8     | 828   | 366     | 0.93 |         |       | 4.3      | 731   | 323      | 1.05  | 4.8      | 656   | 290      | 1.17  |         |      | 5.4      | 581  |          |       | 257      | 1.33  | 6.3      | 498  |          |       | 220     | 1.55 |          |       | 5.6     | 563  | 249      | 1.00 | F 57R37 | 4    | 0.46    | 6871  | 3037    | 1.07  | F 107R77 | 4    |         |      | 7.1      | 446  | 197     | 1.27  |          |       | 7.7      | 410   | 181     | 1.38  | 5.3     | 593   | 262      | 0.95 | 6.2     | 511  | 226     | 1.10 |         |       | 7.0     | 452   |         |      | 200     | 1.25  | 8.4     | 376  |          |       | 166     | 1.50 | 9.1     | 344   |          |      | 152     | 1.64 | 10       | 303  | 134      | 1.86 | 11      | 207   | 128.51   | 0.9   | F 37     | 4    | 0.61    | 5129  | 2267    | 0.79  | F 97R57  | 4    |         |      | 12      | 190   | 117.88  | 1.0  |          |       | 14      | 162  | 100.36  | 1.2  | 16      | 140  | 86.53   | 1.3  | 17      | 130  | 80.65   | 1.4  | 20      | 114   | 70.50   | 1.7  |         |      | 21      | 107  |         |      | 66.09    | 1.8  | 24      | 94   | 58.32   | 2.0  |         |      | 25       | 88    | 54.54   | 2.1  | 27       | 83   |          |      | 51.70    | 2.3  | 30      | 76   | 47.02   | 2.5  | 32      | 71   | 43.83    | 2.7  | 36      | 62   | 38.31   | 3.0  | 39      | 58   | 35.91   | 3.2  | 44      | 51   | 31.69   | 3.7  | 49      | 45   | 28.09    | 4.1  | 58      | 39   | 23.88   | 4.9  | 59      | 38   | 23.63   | 4.9  | 68       | 33   | 20.57   | 5.7  | 72      | 31   | 19.27   | 6.0  | 82      | 27   | 17.03    | 6.8  | 88      | 26   | 15.81   | 7.4  | 97      | 23   | 14.33   | 8.1  | 108    | 21   | 12.87   | 9.0  | 125     | 18   | 11.08 | 10   | 133     | 17   | 10.42   | 10   | 155      | 14   | 8.97     | 11   | 185     | 12   | 7.51    | 11   |         |      |          |      |         |      |         |      |         |      |         |      |          |      |         |      |         |      |          |      |      |      |         |      |         |      |         |      |         |      |          |      |         |      |          |      |         |      |        |      |         |      |          |      |         |      |         |      |         |      |          |      |         |      |         |      |         |      |          |      |         |      |       |      |        |      |          |      |         |      |         |      |      |      |         |      |          |      |          |      |         |      |          |      |      |      |         |      |         |      |         |      |          |      |       |      |        |      |          |      |      |      |       |      |        |      |         |      |      |      |        |      |        |      |         |      |     |      |        |      |         |      |       |      |        |      |          |      |       |      |         |      |        |      |         |     |      |      |        |      |         |     |        |      |         |     |        |      |        |     |        |      |       |      |         |      |        |     |        |      |       |     |        |      |       |     |        |     |       |     |       |      |       |      |         |     |       |     |        |     |       |     |        |     |       |     |       |     |       |     |       |     |       |     |       |     |       |     |       |     |       |     |       |     |       |     |       |     |       |     |       |     |       |     |       |     |       |     |       |     |       |     |       |     |       |     |       |     |       |     |       |     |       |     |       |     |       |     |       |     |       |     |       |     |       |     |       |     |       |    |       |     |       |    |       |     |      |    |       |     |      |    |       |     |     |    |       |     |     |    |       |    |     |    |       |    |     |    |      |    |     |    |
| 2.6           | 1188       | 525      | 1.19                   |             |         | 3.0           | 1061       |          |                        | 469         | 1.33    | 3.4      | 932   |               |      | 412     | 1.51 |               |       | 3.9     | 808  | 357           | 1.75 | 4.4      | 710   | 314           | 1.98  | 3.3     | 966  | 427      | 0.80  | F 67R37 | 4    | 0.47     | 6758  | 2987    | 1.67 | F 57R37  | 4    |         |      | 3.8     | 828   | 366     | 0.93 |          |      |         |      | 4.3     | 731   | 323     | 1.05 |         |       | 4.8      | 656   | 290      | 1.17  | 5.4      | 581   | 257      | 1.33  |         |      | 6.3      | 498  | 220      | 1.55  | 5.6      | 563   | 249      | 1.00 |          |       | F 57R37 | 4    | 0.46     | 6871  | 3037    | 1.07 | F 107R77 | 4    |         |      | 7.1     | 446   | 197     | 1.27  |          |      |         |      | 7.7      | 410  | 181     | 1.38  |          |       | 5.3      | 593   | 262     | 0.95  | 6.2     | 511   | 226      | 1.10 | 7.0     | 452  | 200     | 1.25 |         |       | 8.4     | 376   | 166     | 1.50 | 9.1     | 344   | 152     | 1.64 |          |       | 10      | 303  | 134     | 1.86  | 11       | 207  | 128.51  | 0.9  | F 37     | 4    | 0.61     | 5129 | 2267    | 0.79  | F 97R57  | 4     |          |      | 12      | 190   | 117.88  | 1.0   |          |      |         |      | 14      | 162   | 100.36  | 1.2  |          |       | 16      | 140  | 86.53   | 1.3  | 17      | 130  | 80.65   | 1.4  | 20      | 114  | 70.50   | 1.7  | 21      | 107   | 66.09   | 1.8  |         |      | 24      | 94   | 58.32   | 2.0  | 25       | 88   | 54.54   | 2.1  | 27      | 83   |         |      | 51.70    | 2.3   | 30      | 76   | 47.02    | 2.5  | 32       | 71   | 43.83    | 2.7  | 36      | 62   | 38.31   | 3.0  | 39      | 58   | 35.91    | 3.2  | 44      | 51   | 31.69   | 3.7  | 49      | 45   | 28.09   | 4.1  | 58      | 39   | 23.88   | 4.9  | 59      | 38   | 23.63    | 4.9  | 68      | 33   | 20.57   | 5.7  | 72      | 31   | 19.27   | 6.0  | 82       | 27   | 17.03   | 6.8  | 88      | 26   | 15.81   | 7.4  | 97      | 23   | 14.33    | 8.1  | 108     | 21   | 12.87   | 9.0  | 125     | 18   | 11.08   | 10   | 133    | 17   | 10.42   | 10   | 155     | 14   | 8.97  | 11   | 185     | 12   | 7.51    | 11   |          |      |          |      |         |      |         |      |         |      |          |      |         |      |         |      |         |      |         |      |          |      |         |      |         |      |          |      |      |      |         |      |         |      |         |      |         |      |          |      |         |      |          |      |         |      |        |      |         |      |          |      |         |      |         |      |         |      |          |      |         |      |         |      |         |      |          |      |         |      |       |      |        |      |          |      |         |      |         |      |      |      |         |      |          |      |          |      |         |      |          |      |      |      |         |      |         |      |         |      |          |      |       |      |        |      |          |      |      |      |       |      |        |      |         |      |      |      |        |      |        |      |         |      |     |      |        |      |         |      |       |      |        |      |          |      |       |      |         |      |        |      |         |     |      |      |        |      |         |     |        |      |         |     |        |      |        |     |        |      |       |      |         |      |        |     |        |      |       |     |        |      |       |     |        |     |       |     |       |      |       |      |         |     |       |     |        |     |       |     |        |     |       |     |       |     |       |     |       |     |       |     |       |     |       |     |       |     |       |     |       |     |       |     |       |     |       |     |       |     |       |     |       |     |       |     |       |     |       |     |       |     |       |     |       |     |       |     |       |     |       |     |       |     |       |     |       |     |       |     |       |     |       |     |       |     |       |    |       |     |       |    |       |     |      |    |       |     |      |    |       |     |     |    |       |     |     |    |       |    |     |    |       |    |     |    |      |    |     |    |
| 3.0           | 1061       | 469      | 1.33                   |             |         | 3.4           | 932        | 412      | 1.51                   | 3.9         | 808     | 357      | 1.75  |               |      | 4.4     | 710  | 314           | 1.98  | 3.3     | 966  | 427           | 0.80 | F 67R37  | 4     | 0.47          | 6758  | 2987    | 1.67 | F 57R37  | 4     |         |      | 3.8      | 828   | 366     | 0.93 |          |      |         |      | 4.3     | 731   | 323     | 1.05 |          |      |         |      | 4.8     | 656   | 290     | 1.17 |         |       | 5.4      | 581   | 257      | 1.33  | 6.3      | 498   | 220      | 1.55  | 5.6     | 563  | 249      | 1.00 | F 57R37  | 4     | 0.46     | 6871  | 3037     | 1.07 | F 107R77 | 4     |         |      | 7.1      | 446   | 197     | 1.27 |          |      |         |      | 7.7     | 410   | 181     | 1.38  |          |      |         |      | 5.3      | 593  | 262     | 0.95  |          |       | 6.2      | 511   | 226     | 1.10  | 7.0     | 452   | 200      | 1.25 | 8.4     | 376  | 166     | 1.50 | 9.1     | 344   | 152     | 1.64  | 10      | 303  | 134     | 1.86  | 11      | 207  | 128.51   | 0.9   | F 37    | 4    | 0.61    | 5129  | 2267     | 0.79 | F 97R57 | 4    |          |      | 12       | 190  | 117.88  | 1.0   |          |       |          |      | 14      | 162   | 100.36  | 1.2   |          |      |         |      | 16      | 140   | 86.53   | 1.3  |          |       | 17      | 130  | 80.65   | 1.4  | 20      | 114  | 70.50   | 1.7  | 21      | 107  | 66.09   | 1.8  | 24      | 94    | 58.32   | 2.0  | 25      | 88   | 54.54   | 2.1  | 27      | 83   | 51.70    | 2.3  | 30      | 76   | 47.02   | 2.5  | 32      | 71   | 43.83    | 2.7   | 36      | 62   | 38.31    | 3.0  | 39       | 58   | 35.91    | 3.2  | 44      | 51   | 31.69   | 3.7  | 49      | 45   | 28.09    | 4.1  | 58      | 39   | 23.88   | 4.9  | 59      | 38   | 23.63   | 4.9  | 68      | 33   | 20.57   | 5.7  | 72      | 31   | 19.27    | 6.0  | 82      | 27   | 17.03   | 6.8  | 88      | 26   | 15.81   | 7.4  | 97       | 23   | 14.33   | 8.1  | 108     | 21   | 12.87   | 9.0  | 125     | 18   | 11.08    | 10   | 133     | 17   | 10.42   | 10   | 155     | 14   | 8.97    | 11   | 185    | 12   | 7.51    | 11   |         |      |       |      |         |      |         |      |          |      |          |      |         |      |         |      |         |      |          |      |         |      |         |      |         |      |         |      |          |      |         |      |         |      |          |      |      |      |         |      |         |      |         |      |         |      |          |      |         |      |          |      |         |      |        |      |         |      |          |      |         |      |         |      |         |      |          |      |         |      |         |      |         |      |          |      |         |      |       |      |        |      |          |      |         |      |         |      |      |      |         |      |          |      |          |      |         |      |          |      |      |      |         |      |         |      |         |      |          |      |       |      |        |      |          |      |      |      |       |      |        |      |         |      |      |      |        |      |        |      |         |      |     |      |        |      |         |      |       |      |        |      |          |      |       |      |         |      |        |      |         |     |      |      |        |      |         |     |        |      |         |     |        |      |        |     |        |      |       |      |         |      |        |     |        |      |       |     |        |      |       |     |        |     |       |     |       |      |       |      |         |     |       |     |        |     |       |     |        |     |       |     |       |     |       |     |       |     |       |     |       |     |       |     |       |     |       |     |       |     |       |     |       |     |       |     |       |     |       |     |       |     |       |     |       |     |       |     |       |     |       |     |       |     |       |     |       |     |       |     |       |     |       |     |       |     |       |     |       |     |       |     |       |     |       |    |       |     |       |    |       |     |      |    |       |     |      |    |       |     |     |    |       |     |     |    |       |    |     |    |       |    |     |    |      |    |     |    |
| 3.4           | 932        | 412      | 1.51                   | 3.9         | 808     | 357           | 1.75       | 4.4      | 710                    | 314         | 1.98    | 3.3      | 966   | 427           | 0.80 | F 67R37 | 4    | 0.47          | 6758  | 2987    | 1.67 | F 57R37       | 4    |          |       | 3.8           | 828   | 366     | 0.93 |          |       |         |      | 4.3      | 731   | 323     | 1.05 |          |      |         |      | 4.8     | 656   | 290     | 1.17 |          |      |         |      | 5.4     | 581   | 257     | 1.33 |         |       | 6.3      | 498   | 220      | 1.55  | 5.6      | 563   | 249      | 1.00  | F 57R37 | 4    | 0.46     | 6871 |          |       | 3037     | 1.07  | F 107R77 | 4    |          |       |         |      | 7.1      | 446   | 197     | 1.27 |          |      |         |      | 7.7     | 410   | 181     | 1.38  |          |      |         |      | 5.3      | 593  | 262     | 0.95  |          |       | 6.2      | 511   | 226     | 1.10  | 7.0     | 452   | 200      | 1.25 | 8.4     | 376  | 166     | 1.50 | 9.1     | 344   | 152     | 1.64  | 10      | 303  | 134     | 1.86  | 11      | 207  | 128.51   | 0.9   |         |      | F 37    | 4     | 0.61     | 5129 |         |      |          |      | 2267     | 0.79 | F 97R57 | 4     |          |       |          |      | 12      | 190   | 117.88  | 1.0   |          |      |         |      | 14      | 162   | 100.36  | 1.2  |          |       | 16      | 140  | 86.53   | 1.3  | 17      | 130  | 80.65   | 1.4  | 20      | 114  | 70.50   | 1.7  | 21      | 107   | 66.09   | 1.8  | 24      | 94   | 58.32   | 2.0  | 25      | 88   | 54.54    | 2.1  | 27      | 83   | 51.70   | 2.3  | 30      | 76   | 47.02    | 2.5   | 32      | 71   | 43.83    | 2.7  | 36       | 62   | 38.31    | 3.0  | 39      | 58   | 35.91   | 3.2  | 44      | 51   | 31.69    | 3.7  | 49      | 45   | 28.09   | 4.1  | 58      | 39   | 23.88   | 4.9  | 59      | 38   | 23.63   | 4.9  | 68      | 33   | 20.57    | 5.7  | 72      | 31   | 19.27   | 6.0  | 82      | 27   | 17.03   | 6.8  | 88       | 26   | 15.81   | 7.4  | 97      | 23   | 14.33   | 8.1  | 108     | 21   | 12.87    | 9.0  | 125     | 18   | 11.08   | 10   | 133     | 17   | 10.42   | 10   | 155    | 14   | 8.97    | 11   | 185     | 12   | 7.51  | 11   |         |      |         |      |          |      |          |      |         |      |         |      |         |      |          |      |         |      |         |      |         |      |         |      |          |      |         |      |         |      |          |      |      |      |         |      |         |      |         |      |         |      |          |      |         |      |          |      |         |      |        |      |         |      |          |      |         |      |         |      |         |      |          |      |         |      |         |      |         |      |          |      |         |      |       |      |        |      |          |      |         |      |         |      |      |      |         |      |          |      |          |      |         |      |          |      |      |      |         |      |         |      |         |      |          |      |       |      |        |      |          |      |      |      |       |      |        |      |         |      |      |      |        |      |        |      |         |      |     |      |        |      |         |      |       |      |        |      |          |      |       |      |         |      |        |      |         |     |      |      |        |      |         |     |        |      |         |     |        |      |        |     |        |      |       |      |         |      |        |     |        |      |       |     |        |      |       |     |        |     |       |     |       |      |       |      |         |     |       |     |        |     |       |     |        |     |       |     |       |     |       |     |       |     |       |     |       |     |       |     |       |     |       |     |       |     |       |     |       |     |       |     |       |     |       |     |       |     |       |     |       |     |       |     |       |     |       |     |       |     |       |     |       |     |       |     |       |     |       |     |       |     |       |     |       |     |       |     |       |     |       |    |       |     |       |    |       |     |      |    |       |     |      |    |       |     |     |    |       |     |     |    |       |    |     |    |       |    |     |    |      |    |     |    |
| 3.9           | 808        | 357      | 1.75                   | 4.4         | 710     | 314           | 1.98       | 3.3      | 966                    | 427         | 0.80    | F 67R37  | 4     | 0.47          | 6758 |         |      | 2987          | 1.67  | F 57R37 | 4    |               |      |          |       | 3.8           | 828   | 366     | 0.93 |          |       |         |      | 4.3      | 731   | 323     | 1.05 |          |      |         |      | 4.8     | 656   | 290     | 1.17 |          |      | 5.4     | 581  | 257     | 1.33  | 6.3     | 498  | 220     | 1.55  | 5.6      | 563   | 249      | 1.00  | F 57R37  | 4     | 0.46     | 6871  |         |      | 3037     | 1.07 |          |       | F 107R77 | 4     |          |      |          |       |         |      | 7.1      | 446   | 197     | 1.27 |          |      |         |      | 7.7     | 410   | 181     | 1.38  |          |      | 5.3     | 593  | 262      | 0.95 | 6.2     | 511   | 226      | 1.10  | 7.0      | 452   | 200     | 1.25  | 8.4     | 376   | 166      | 1.50 | 9.1     | 344  | 152     | 1.64 | 10      | 303   | 134     | 1.86  | 11      | 207  | 128.51  | 0.9   | F 37    | 4    | 0.61     | 5129  |         |      |         |       | 2267     | 0.79 |         |      |          |      | F 97R57  | 4    |         |       |          |       |          |      | 12      | 190   | 117.88  | 1.0   |          |      | 14      | 162  | 100.36  | 1.2   | 16      | 140  | 86.53    | 1.3   | 17      | 130  | 80.65   | 1.4  | 20      | 114  | 70.50   | 1.7  | 21      | 107  | 66.09   | 1.8  | 24      | 94    | 58.32   | 2.0  | 25      | 88   | 54.54   | 2.1  | 27      | 83   | 51.70    | 2.3  | 30      | 76   | 47.02   | 2.5  | 32      | 71   | 43.83    | 2.7   | 36      | 62   | 38.31    | 3.0  | 39       | 58   | 35.91    | 3.2  | 44      | 51   | 31.69   | 3.7  | 49      | 45   | 28.09    | 4.1  | 58      | 39   | 23.88   | 4.9  | 59      | 38   | 23.63   | 4.9  | 68      | 33   | 20.57   | 5.7  | 72      | 31   | 19.27    | 6.0  | 82      | 27   | 17.03   | 6.8  | 88      | 26   | 15.81   | 7.4  | 97       | 23   | 14.33   | 8.1  | 108     | 21   | 12.87   | 9.0  | 125     | 18   | 11.08    | 10   | 133     | 17   | 10.42   | 10   | 155     | 14   | 8.97    | 11   | 185    | 12   | 7.51    | 11   |         |      |       |      |         |      |         |      |          |      |          |      |         |      |         |      |         |      |          |      |         |      |         |      |         |      |         |      |          |      |         |      |         |      |          |      |      |      |         |      |         |      |         |      |         |      |          |      |         |      |          |      |         |      |        |      |         |      |          |      |         |      |         |      |         |      |          |      |         |      |         |      |         |      |          |      |         |      |       |      |        |      |          |      |         |      |         |      |      |      |         |      |          |      |          |      |         |      |          |      |      |      |         |      |         |      |         |      |          |      |       |      |        |      |          |      |      |      |       |      |        |      |         |      |      |      |        |      |        |      |         |      |     |      |        |      |         |      |       |      |        |      |          |      |       |      |         |      |        |      |         |     |      |      |        |      |         |     |        |      |         |     |        |      |        |     |        |      |       |      |         |      |        |     |        |      |       |     |        |      |       |     |        |     |       |     |       |      |       |      |         |     |       |     |        |     |       |     |        |     |       |     |       |     |       |     |       |     |       |     |       |     |       |     |       |     |       |     |       |     |       |     |       |     |       |     |       |     |       |     |       |     |       |     |       |     |       |     |       |     |       |     |       |     |       |     |       |     |       |     |       |     |       |     |       |     |       |     |       |     |       |     |       |     |       |    |       |     |       |    |       |     |      |    |       |     |      |    |       |     |     |    |       |     |     |    |       |    |     |    |       |    |     |    |      |    |     |    |
| 4.4           | 710        | 314      | 1.98                   | 3.3         | 966     | 427           | 0.80       | F 67R37  | 4                      | 0.47        | 6758    |          |       | 2987          | 1.67 |         |      | F 57R37       | 4     |         |      |               |      |          |       | 3.8           | 828   | 366     | 0.93 |          |       |         |      | 4.3      | 731   | 323     | 1.05 |          |      | 4.8     | 656  | 290     | 1.17  | 5.4     | 581  | 257      | 1.33 | 6.3     | 498  | 220     | 1.55  | 5.6     | 563  | 249     | 1.00  | F 57R37  | 4     | 0.46     | 6871  |          |       | 3037     | 1.07  |         |      | F 107R77 | 4    |          |       |          |       |          |      |          |       |         |      | 7.1      | 446   | 197     | 1.27 |          |      | 7.7     | 410  | 181     | 1.38  | 5.3     | 593   | 262      | 0.95 | 6.2     | 511  | 226      | 1.10 | 7.0     | 452   | 200      | 1.25  | 8.4      | 376   | 166     | 1.50  | 9.1     | 344   | 152      | 1.64 | 10      | 303  | 134     | 1.86 | 11      | 207   | 128.51  | 0.9   | F 37    | 4    | 0.61    | 5129  |         |      | 2267     | 0.79  |         |      |         |       | F 97R57  | 4    |         |      |          |      |          |      |         |       |          |       | 12       | 190  | 117.88  | 1.0   | 14      | 162   | 100.36   | 1.2  | 16      | 140  | 86.53   | 1.3   | 17      | 130  | 80.65    | 1.4   | 20      | 114  | 70.50   | 1.7  | 21      | 107  | 66.09   | 1.8  | 24      | 94   | 58.32   | 2.0  | 25      | 88    | 54.54   | 2.1  | 27      | 83   | 51.70   | 2.3  | 30      | 76   | 47.02    | 2.5  | 32      | 71   | 43.83   | 2.7  | 36      | 62   | 38.31    | 3.0   | 39      | 58   | 35.91    | 3.2  | 44       | 51   | 31.69    | 3.7  | 49      | 45   | 28.09   | 4.1  | 58      | 39   | 23.88    | 4.9  | 59      | 38   | 23.63   | 4.9  | 68      | 33   | 20.57   | 5.7  | 72      | 31   | 19.27   | 6.0  | 82      | 27   | 17.03    | 6.8  | 88      | 26   | 15.81   | 7.4  | 97      | 23   | 14.33   | 8.1  | 108      | 21   | 12.87   | 9.0  | 125     | 18   | 11.08   | 10   | 133     | 17   | 10.42    | 10   | 155     | 14   | 8.97    | 11   | 185     | 12   | 7.51    | 11   |        |      |         |      |         |      |       |      |         |      |         |      |          |      |          |      |         |      |         |      |         |      |          |      |         |      |         |      |         |      |         |      |          |      |         |      |         |      |          |      |      |      |         |      |         |      |         |      |         |      |          |      |         |      |          |      |         |      |        |      |         |      |          |      |         |      |         |      |         |      |          |      |         |      |         |      |         |      |          |      |         |      |       |      |        |      |          |      |         |      |         |      |      |      |         |      |          |      |          |      |         |      |          |      |      |      |         |      |         |      |         |      |          |      |       |      |        |      |          |      |      |      |       |      |        |      |         |      |      |      |        |      |        |      |         |      |     |      |        |      |         |      |       |      |        |      |          |      |       |      |         |      |        |      |         |     |      |      |        |      |         |     |        |      |         |     |        |      |        |     |        |      |       |      |         |      |        |     |        |      |       |     |        |      |       |     |        |     |       |     |       |      |       |      |         |     |       |     |        |     |       |     |        |     |       |     |       |     |       |     |       |     |       |     |       |     |       |     |       |     |       |     |       |     |       |     |       |     |       |     |       |     |       |     |       |     |       |     |       |     |       |     |       |     |       |     |       |     |       |     |       |     |       |     |       |     |       |     |       |     |       |     |       |     |       |     |       |     |       |    |       |     |       |    |       |     |      |    |       |     |      |    |       |     |     |    |       |     |     |    |       |    |     |    |       |    |     |    |      |    |     |    |
| 3.3           | 966        | 427      | 0.80                   | F 67R37     | 4       | 0.47          | 6758       |          |                        | 2987        | 1.67    |          |       | F 57R37       | 4    |         |      |               |       |         |      |               |      |          |       |               |       |         |      |          |       |         |      |          |       |         |      |          |      |         |      |         |       |         |      |          |      |         |      |         |       |         |      |         |       |          |       |          |       |          |       |          |       |         |      |          |      |          |       |          |       |          |      |          |       |         |      |          |       |         |      |          |      |         |      |         |       |         |       |          |      |         |      |          |      |         |       |          |       |          |       |         |       |         |       |          |      |         |      |         |      |         |       |         |       |         |      |         |       |         |      |          |       |         |      |         |       |          |      |         |      |          |      |          |      |         |       |          |       |          |      |         |       |         |       |          |      |         |      |         |       |         |      |          |       |         |      |         |      |         |      |         |      |         |      |         |      |         |       |         |      |         |      |         |      |         |      |          |      |         |      |         |      |         |      |          |       |         |      |          |      |          |      |          |      |         |      |         |      |         |      |          |      |         |      |         |      |         |      |         |      |         |      |         |      |         |      |          |      |         |      |         |      |         |      |         |      |          |      |         |      |         |      |         |      |         |      |          |      |         |      |         |      |         |      |         |      |        |      |         |      |         |      |       |      |         |      |         |      |          |      |          |      |         |      |         |      |         |      |          |      |         |      |         |      |         |      |         |      |          |      |         |      |         |      |          |      |      |      |         |      |         |      |         |      |         |      |          |      |         |      |          |      |         |      |        |      |         |      |          |      |         |      |         |      |         |      |          |      |         |      |         |      |         |      |          |      |         |      |       |      |        |      |          |      |         |      |         |      |      |      |         |      |          |      |          |      |         |      |          |      |      |      |         |      |         |      |         |      |          |      |       |      |        |      |          |      |      |      |       |      |        |      |         |      |      |      |        |      |        |      |         |      |     |      |        |      |         |      |       |      |        |      |          |      |       |      |         |      |        |      |         |     |      |      |        |      |         |     |        |      |         |     |        |      |        |     |        |      |       |      |         |      |        |     |        |      |       |     |        |      |       |     |        |     |       |     |       |      |       |      |         |     |       |     |        |     |       |     |        |     |       |     |       |     |       |     |       |     |       |     |       |     |       |     |       |     |       |     |       |     |       |     |       |     |       |     |       |     |       |     |       |     |       |     |       |     |       |     |       |     |       |     |       |     |       |     |       |     |       |     |       |     |       |     |       |     |       |     |       |     |       |     |       |     |       |    |       |     |       |    |       |     |      |    |       |     |      |    |       |     |     |    |       |     |     |    |       |    |     |    |       |    |     |    |      |    |     |    |
| 3.8           | 828        | 366      | 0.93                   |             |         | 4.3           | 731        |          |                        | 323         | 1.05    |          |       |               |      |         |      |               |       |         |      |               |      | 4.8      | 656   | 290           | 1.17  | 5.4     | 581  | 257      | 1.33  | 6.3     | 498  | 220      | 1.55  | 5.6     | 563  | 249      | 1.00 | F 57R37 | 4    | 0.46    | 6871  | 3037    | 1.07 | F 107R77 | 4    | 7.1     | 446  | 197     | 1.27  | 7.7     | 410  | 181     | 1.38  |          |       | 5.3      | 593   |          |       | 262      | 0.95  |         |      |          |      | 6.2      | 511   |          |       |          |      | 226      | 1.10  | 7.0     | 452  | 200      | 1.25  | 8.4     | 376  | 166      | 1.50 | 9.1     | 344  | 152     | 1.64  | 10      | 303   | 134      | 1.86 | 11      | 207  | 128.51   | 0.9  | F 37    | 4     | 0.61     | 5129  | 2267     | 0.79  | F 97R57 | 4     | 12      | 190   | 117.88   | 1.0  | 14      | 162  | 100.36  | 1.2  | 16      | 140   | 86.53   | 1.3   |         |      | 17      | 130   |         |      | 80.65    | 1.4   | 20      | 114  |         |       |          |      | 70.50   | 1.7  | 21       | 107  |          |      |         |       | 66.09    | 1.8   | 24       | 94   | 58.32   | 2.0   | 25      | 88    | 54.54    | 2.1  | 27      | 83   | 51.70   | 2.3   | 30      | 76   | 47.02    | 2.5   | 32      | 71   | 43.83   | 2.7  | 36      | 62   | 38.31   | 3.0  | 39      | 58   | 35.91   | 3.2  | 44      | 51    | 31.69   | 3.7  | 49      | 45   | 28.09   | 4.1  | 58      | 39   | 23.88    | 4.9  | 59      | 38   | 23.63   | 4.9  | 68      | 33   | 20.57    | 5.7   | 72      | 31   | 19.27    | 6.0  | 82       | 27   | 17.03    | 6.8  | 88      | 26   | 15.81   | 7.4  | 97      | 23   | 14.33    | 8.1  | 108     | 21   | 12.87   | 9.0  | 125     | 18   | 11.08   | 10   | 133     | 17   | 10.42   | 10   | 155     | 14   | 8.97     | 11   | 185     | 12   | 7.51    | 11   |         |      |         |      |          |      |         |      |         |      |         |      |         |      |          |      |         |      |         |      |         |      |         |      |        |      |         |      |         |      |       |      |         |      |         |      |          |      |          |      |         |      |         |      |         |      |          |      |         |      |         |      |         |      |         |      |          |      |         |      |         |      |          |      |      |      |         |      |         |      |         |      |         |      |          |      |         |      |          |      |         |      |        |      |         |      |          |      |         |      |         |      |         |      |          |      |         |      |         |      |         |      |          |      |         |      |       |      |        |      |          |      |         |      |         |      |      |      |         |      |          |      |          |      |         |      |          |      |      |      |         |      |         |      |         |      |          |      |       |      |        |      |          |      |      |      |       |      |        |      |         |      |      |      |        |      |        |      |         |      |     |      |        |      |         |      |       |      |        |      |          |      |       |      |         |      |        |      |         |     |      |      |        |      |         |     |        |      |         |     |        |      |        |     |        |      |       |      |         |      |        |     |        |      |       |     |        |      |       |     |        |     |       |     |       |      |       |      |         |     |       |     |        |     |       |     |        |     |       |     |       |     |       |     |       |     |       |     |       |     |       |     |       |     |       |     |       |     |       |     |       |     |       |     |       |     |       |     |       |     |       |     |       |     |       |     |       |     |       |     |       |     |       |     |       |     |       |     |       |     |       |     |       |     |       |     |       |     |       |     |       |     |       |    |       |     |       |    |       |     |      |    |       |     |      |    |       |     |     |    |       |     |     |    |       |    |     |    |       |    |     |    |      |    |     |    |
| 4.3           | 731        | 323      | 1.05                   |             |         | 4.8           | 656        |          |                        | 290         | 1.17    |          |       |               |      | 5.4     | 581  |               |       |         |      | 257           | 1.33 | 6.3      | 498   | 220           | 1.55  | 5.6     | 563  | 249      | 1.00  | F 57R37 | 4    | 0.46     | 6871  | 3037    | 1.07 | F 107R77 | 4    |         |      | 7.1     | 446   | 197     | 1.27 |          |      | 7.7     | 410  | 181     | 1.38  | 5.3     | 593  | 262     | 0.95  |          |       | 6.2      | 511   |          |       | 226      | 1.10  | 7.0     | 452  |          |      | 200      | 1.25  |          |       | 8.4      | 376  | 166      | 1.50  | 9.1     | 344  | 152      | 1.64  | 10      | 303  | 134      | 1.86 | 11      | 207  | 128.51  | 0.9   | F 37    | 4     | 0.61     | 5129 | 2267    | 0.79 | F 97R57  | 4    |         |       | 12       | 190   | 117.88   | 1.0   |         |       | 14      | 162   | 100.36   | 1.2  | 16      | 140  | 86.53   | 1.3  | 17      | 130   | 80.65   | 1.4   |         |      | 20      | 114   |         |      | 70.50    | 1.7   | 21      | 107  | 66.09   | 1.8   |          |      | 24      | 94   | 58.32    | 2.0  |          |      | 25      | 88    | 54.54    | 2.1   | 27       | 83   | 51.70   | 2.3   | 30      | 76    | 47.02    | 2.5  | 32      | 71   | 43.83   | 2.7   | 36      | 62   | 38.31    | 3.0   | 39      | 58   | 35.91   | 3.2  | 44      | 51   | 31.69   | 3.7  | 49      | 45   | 28.09   | 4.1  | 58      | 39    | 23.88   | 4.9  | 59      | 38   | 23.63   | 4.9  | 68      | 33   | 20.57    | 5.7  | 72      | 31   | 19.27   | 6.0  | 82      | 27   | 17.03    | 6.8   | 88      | 26   | 15.81    | 7.4  | 97       | 23   | 14.33    | 8.1  | 108     | 21   | 12.87   | 9.0  | 125     | 18   | 11.08    | 10   | 133     | 17   | 10.42   | 10   | 155     | 14   | 8.97    | 11   | 185     | 12   | 7.51    | 11   |         |      |          |      |         |      |         |      |         |      |         |      |          |      |         |      |         |      |         |      |         |      |          |      |         |      |         |      |         |      |         |      |        |      |         |      |         |      |       |      |         |      |         |      |          |      |          |      |         |      |         |      |         |      |          |      |         |      |         |      |         |      |         |      |          |      |         |      |         |      |          |      |      |      |         |      |         |      |         |      |         |      |          |      |         |      |          |      |         |      |        |      |         |      |          |      |         |      |         |      |         |      |          |      |         |      |         |      |         |      |          |      |         |      |       |      |        |      |          |      |         |      |         |      |      |      |         |      |          |      |          |      |         |      |          |      |      |      |         |      |         |      |         |      |          |      |       |      |        |      |          |      |      |      |       |      |        |      |         |      |      |      |        |      |        |      |         |      |     |      |        |      |         |      |       |      |        |      |          |      |       |      |         |      |        |      |         |     |      |      |        |      |         |     |        |      |         |     |        |      |        |     |        |      |       |      |         |      |        |     |        |      |       |     |        |      |       |     |        |     |       |     |       |      |       |      |         |     |       |     |        |     |       |     |        |     |       |     |       |     |       |     |       |     |       |     |       |     |       |     |       |     |       |     |       |     |       |     |       |     |       |     |       |     |       |     |       |     |       |     |       |     |       |     |       |     |       |     |       |     |       |     |       |     |       |     |       |     |       |     |       |     |       |     |       |     |       |     |       |     |       |    |       |     |       |    |       |     |      |    |       |     |      |    |       |     |     |    |       |     |     |    |       |    |     |    |       |    |     |    |      |    |     |    |
| 4.8           | 656        | 290      | 1.17                   |             |         | 5.4           | 581        |          |                        | 257         | 1.33    | 6.3      | 498   |               |      | 220     | 1.55 |               |       | 5.6     | 563  | 249           | 1.00 | F 57R37  | 4     | 0.46          | 6871  | 3037    | 1.07 | F 107R77 | 4     |         |      | 7.1      | 446   | 197     | 1.27 |          |      |         |      | 7.7     | 410   | 181     | 1.38 |          |      | 5.3     | 593  | 262     | 0.95  | 6.2     | 511  | 226     | 1.10  |          |       | 7.0      | 452   | 200      | 1.25  | 8.4      | 376   | 166     | 1.50 |          |      | 9.1      | 344   | 152      | 1.64  | 10       | 303  | 134      | 1.86  | 11      | 207  | 128.51   | 0.9   | F 37    | 4    | 0.61     | 5129 | 2267    | 0.79 | F 97R57 | 4     |         |       | 12       | 190  | 117.88  | 1.0  |          |      |         |       | 14       | 162   | 100.36   | 1.2   |         |       | 16      | 140   | 86.53    | 1.3  | 17      | 130  | 80.65   | 1.4  | 20      | 114   | 70.50   | 1.7   |         |      | 21      | 107   | 66.09   | 1.8  | 24       | 94    | 58.32   | 2.0  | 25      | 88    |          |      | 54.54   | 2.1  | 27       | 83   | 51.70    | 2.3  | 30      | 76    | 47.02    | 2.5   | 32       | 71   | 43.83   | 2.7   | 36      | 62    | 38.31    | 3.0  | 39      | 58   | 35.91   | 3.2   | 44      | 51   | 31.69    | 3.7   | 49      | 45   | 28.09   | 4.1  | 58      | 39   | 23.88   | 4.9  | 59      | 38   | 23.63   | 4.9  | 68      | 33    | 20.57   | 5.7  | 72      | 31   | 19.27   | 6.0  | 82      | 27   | 17.03    | 6.8  | 88      | 26   | 15.81   | 7.4  | 97      | 23   | 14.33    | 8.1   | 108     | 21   | 12.87    | 9.0  | 125      | 18   | 11.08    | 10   | 133     | 17   | 10.42   | 10   | 155     | 14   | 8.97     | 11   | 185     | 12   | 7.51    | 11   |         |      |         |      |         |      |         |      |         |      |          |      |         |      |         |      |         |      |         |      |          |      |         |      |         |      |         |      |         |      |          |      |         |      |         |      |         |      |         |      |        |      |         |      |         |      |       |      |         |      |         |      |          |      |          |      |         |      |         |      |         |      |          |      |         |      |         |      |         |      |         |      |          |      |         |      |         |      |          |      |      |      |         |      |         |      |         |      |         |      |          |      |         |      |          |      |         |      |        |      |         |      |          |      |         |      |         |      |         |      |          |      |         |      |         |      |         |      |          |      |         |      |       |      |        |      |          |      |         |      |         |      |      |      |         |      |          |      |          |      |         |      |          |      |      |      |         |      |         |      |         |      |          |      |       |      |        |      |          |      |      |      |       |      |        |      |         |      |      |      |        |      |        |      |         |      |     |      |        |      |         |      |       |      |        |      |          |      |       |      |         |      |        |      |         |     |      |      |        |      |         |     |        |      |         |     |        |      |        |     |        |      |       |      |         |      |        |     |        |      |       |     |        |      |       |     |        |     |       |     |       |      |       |      |         |     |       |     |        |     |       |     |        |     |       |     |       |     |       |     |       |     |       |     |       |     |       |     |       |     |       |     |       |     |       |     |       |     |       |     |       |     |       |     |       |     |       |     |       |     |       |     |       |     |       |     |       |     |       |     |       |     |       |     |       |     |       |     |       |     |       |     |       |     |       |     |       |     |       |    |       |     |       |    |       |     |      |    |       |     |      |    |       |     |     |    |       |     |     |    |       |    |     |    |       |    |     |    |      |    |     |    |
| 5.4           | 581        | 257      | 1.33                   |             |         | 6.3           | 498        | 220      | 1.55                   | 5.6         | 563     | 249      | 1.00  |               |      | F 57R37 | 4    | 0.46          | 6871  | 3037    | 1.07 | F 107R77      | 4    |          |       | 7.1           | 446   | 197     | 1.27 |          |       |         |      | 7.7      | 410   | 181     | 1.38 |          |      |         |      | 5.3     | 593   | 262     | 0.95 |          |      | 6.2     | 511  | 226     | 1.10  | 7.0     | 452  | 200     | 1.25  | 8.4      | 376   | 166      | 1.50  | 9.1      | 344   | 152      | 1.64  | 10      | 303  | 134      | 1.86 | 11       | 207   | 128.51   | 0.9   | F 37     | 4    | 0.61     | 5129  | 2267    | 0.79 | F 97R57  | 4     |         |      | 12       | 190  | 117.88  | 1.0  |         |       |         |       | 14       | 162  | 100.36  | 1.2  |          |      |         |       | 16       | 140   | 86.53    | 1.3   |         |       | 17      | 130   | 80.65    | 1.4  | 20      | 114  | 70.50   | 1.7  | 21      | 107   | 66.09   | 1.8   | 24      | 94   | 58.32   | 2.0   | 25      | 88   | 54.54    | 2.1   | 27      | 83   | 51.70   | 2.3   | 30       | 76   | 47.02   | 2.5  | 32       | 71   | 43.83    | 2.7  | 36      | 62    | 38.31    | 3.0   | 39       | 58   | 35.91   | 3.2   | 44      | 51    | 31.69    | 3.7  | 49      | 45   | 28.09   | 4.1   | 58      | 39   | 23.88    | 4.9   | 59      | 38   | 23.63   | 4.9  | 68      | 33   | 20.57   | 5.7  | 72      | 31   | 19.27   | 6.0  | 82      | 27    | 17.03   | 6.8  | 88      | 26   | 15.81   | 7.4  | 97      | 23   | 14.33    | 8.1  | 108     | 21   | 12.87   | 9.0  | 125     | 18   | 11.08    | 10    | 133     | 17   | 10.42    | 10   | 155      | 14   | 8.97     | 11   | 185     | 12   | 7.51    | 11   |         |      |          |      |         |      |         |      |         |      |         |      |         |      |         |      |         |      |          |      |         |      |         |      |         |      |         |      |          |      |         |      |         |      |         |      |         |      |          |      |         |      |         |      |         |      |         |      |        |      |         |      |         |      |       |      |         |      |         |      |          |      |          |      |         |      |         |      |         |      |          |      |         |      |         |      |         |      |         |      |          |      |         |      |         |      |          |      |      |      |         |      |         |      |         |      |         |      |          |      |         |      |          |      |         |      |        |      |         |      |          |      |         |      |         |      |         |      |          |      |         |      |         |      |         |      |          |      |         |      |       |      |        |      |          |      |         |      |         |      |      |      |         |      |          |      |          |      |         |      |          |      |      |      |         |      |         |      |         |      |          |      |       |      |        |      |          |      |      |      |       |      |        |      |         |      |      |      |        |      |        |      |         |      |     |      |        |      |         |      |       |      |        |      |          |      |       |      |         |      |        |      |         |     |      |      |        |      |         |     |        |      |         |     |        |      |        |     |        |      |       |      |         |      |        |     |        |      |       |     |        |      |       |     |        |     |       |     |       |      |       |      |         |     |       |     |        |     |       |     |        |     |       |     |       |     |       |     |       |     |       |     |       |     |       |     |       |     |       |     |       |     |       |     |       |     |       |     |       |     |       |     |       |     |       |     |       |     |       |     |       |     |       |     |       |     |       |     |       |     |       |     |       |     |       |     |       |     |       |     |       |     |       |     |       |     |       |    |       |     |       |    |       |     |      |    |       |     |      |    |       |     |     |    |       |     |     |    |       |    |     |    |       |    |     |    |      |    |     |    |
| 6.3           | 498        | 220      | 1.55                   | 5.6         | 563     | 249           | 1.00       | F 57R37  | 4                      | 0.46        | 6871    | 3037     | 1.07  | F 107R77      | 4    |         |      | 7.1           | 446   | 197     | 1.27 |               |      |          |       | 7.7           | 410   | 181     | 1.38 |          |       |         |      | 5.3      | 593   | 262     | 0.95 |          |      |         |      | 6.2     | 511   | 226     | 1.10 |          |      | 7.0     | 452  | 200     | 1.25  | 8.4     | 376  | 166     | 1.50  | 9.1      | 344   | 152      | 1.64  | 10       | 303   | 134      | 1.86  | 11      | 207  | 128.51   | 0.9  | F 37     | 4     | 0.61     | 5129  |          |      | 2267     | 0.79  | F 97R57 | 4    |          |       |         |      | 12       | 190  | 117.88  | 1.0  |         |       |         |       | 14       | 162  | 100.36  | 1.2  |          |      |         |       | 16       | 140   | 86.53    | 1.3   |         |       | 17      | 130   | 80.65    | 1.4  | 20      | 114  | 70.50   | 1.7  | 21      | 107   | 66.09   | 1.8   | 24      | 94   | 58.32   | 2.0   | 25      | 88   | 54.54    | 2.1   | 27      | 83   | 51.70   | 2.3   | 30       | 76   | 47.02   | 2.5  | 32       | 71   | 43.83    | 2.7  | 36      | 62    | 38.31    | 3.0   | 39       | 58   | 35.91   | 3.2   | 44      | 51    | 31.69    | 3.7  | 49      | 45   | 28.09   | 4.1   | 58      | 39   | 23.88    | 4.9   | 59      | 38   | 23.63   | 4.9  | 68      | 33   | 20.57   | 5.7  | 72      | 31   | 19.27   | 6.0  | 82      | 27    | 17.03   | 6.8  | 88      | 26   | 15.81   | 7.4  | 97      | 23   | 14.33    | 8.1  | 108     | 21   | 12.87   | 9.0  | 125     | 18   | 11.08    | 10    | 133     | 17   | 10.42    | 10   | 155      | 14   | 8.97     | 11   | 185     | 12   | 7.51    | 11   |         |      |          |      |         |      |         |      |         |      |         |      |         |      |         |      |         |      |          |      |         |      |         |      |         |      |         |      |          |      |         |      |         |      |         |      |         |      |          |      |         |      |         |      |         |      |         |      |        |      |         |      |         |      |       |      |         |      |         |      |          |      |          |      |         |      |         |      |         |      |          |      |         |      |         |      |         |      |         |      |          |      |         |      |         |      |          |      |      |      |         |      |         |      |         |      |         |      |          |      |         |      |          |      |         |      |        |      |         |      |          |      |         |      |         |      |         |      |          |      |         |      |         |      |         |      |          |      |         |      |       |      |        |      |          |      |         |      |         |      |      |      |         |      |          |      |          |      |         |      |          |      |      |      |         |      |         |      |         |      |          |      |       |      |        |      |          |      |      |      |       |      |        |      |         |      |      |      |        |      |        |      |         |      |     |      |        |      |         |      |       |      |        |      |          |      |       |      |         |      |        |      |         |     |      |      |        |      |         |     |        |      |         |     |        |      |        |     |        |      |       |      |         |      |        |     |        |      |       |     |        |      |       |     |        |     |       |     |       |      |       |      |         |     |       |     |        |     |       |     |        |     |       |     |       |     |       |     |       |     |       |     |       |     |       |     |       |     |       |     |       |     |       |     |       |     |       |     |       |     |       |     |       |     |       |     |       |     |       |     |       |     |       |     |       |     |       |     |       |     |       |     |       |     |       |     |       |     |       |     |       |     |       |     |       |     |       |    |       |     |       |    |       |     |      |    |       |     |      |    |       |     |     |    |       |     |     |    |       |    |     |    |       |    |     |    |      |    |     |    |
| 5.6           | 563        | 249      | 1.00                   | F 57R37     | 4       | 0.46          | 6871       |          |                        | 3037        | 1.07    | F 107R77 | 4     |               |      |         |      |               |       |         |      |               |      |          |       |               |       |         |      |          |       |         |      |          |       |         |      |          |      |         |      |         |       |         |      |          |      |         |      |         |       |         |      |         |       |          |       |          |       |          |       |          |       |         |      |          |      |          |       |          |       |          |      |          |       |         |      |          |       |         |      |          |      |         |      |         |       |         |       |          |      |         |      |          |      |         |       |          |       |          |       |         |       |         |       |          |      |         |      |         |      |         |       |         |       |         |      |         |       |         |      |          |       |         |      |         |       |          |      |         |      |          |      |          |      |         |       |          |       |          |      |         |       |         |       |          |      |         |      |         |       |         |      |          |       |         |      |         |      |         |      |         |      |         |      |         |      |         |       |         |      |         |      |         |      |         |      |          |      |         |      |         |      |         |      |          |       |         |      |          |      |          |      |          |      |         |      |         |      |         |      |          |      |         |      |         |      |         |      |         |      |         |      |         |      |         |      |          |      |         |      |         |      |         |      |         |      |          |      |         |      |         |      |         |      |         |      |          |      |         |      |         |      |         |      |         |      |        |      |         |      |         |      |       |      |         |      |         |      |          |      |          |      |         |      |         |      |         |      |          |      |         |      |         |      |         |      |         |      |          |      |         |      |         |      |          |      |      |      |         |      |         |      |         |      |         |      |          |      |         |      |          |      |         |      |        |      |         |      |          |      |         |      |         |      |         |      |          |      |         |      |         |      |         |      |          |      |         |      |       |      |        |      |          |      |         |      |         |      |      |      |         |      |          |      |          |      |         |      |          |      |      |      |         |      |         |      |         |      |          |      |       |      |        |      |          |      |      |      |       |      |        |      |         |      |      |      |        |      |        |      |         |      |     |      |        |      |         |      |       |      |        |      |          |      |       |      |         |      |        |      |         |     |      |      |        |      |         |     |        |      |         |     |        |      |        |     |        |      |       |      |         |      |        |     |        |      |       |     |        |      |       |     |        |     |       |     |       |      |       |      |         |     |       |     |        |     |       |     |        |     |       |     |       |     |       |     |       |     |       |     |       |     |       |     |       |     |       |     |       |     |       |     |       |     |       |     |       |     |       |     |       |     |       |     |       |     |       |     |       |     |       |     |       |     |       |     |       |     |       |     |       |     |       |     |       |     |       |     |       |     |       |     |       |     |       |    |       |     |       |    |       |     |      |    |       |     |      |    |       |     |     |    |       |     |     |    |       |    |     |    |       |    |     |    |      |    |     |    |
| 7.1           | 446        | 197      | 1.27                   |             |         | 7.7           | 410        |          |                        | 181         | 1.38    |          |       |               |      |         |      | 5.3           | 593   | 262     | 0.95 |               |      |          |       | 6.2           | 511   | 226     | 1.10 |          |       | 7.0     | 452  | 200      | 1.25  | 8.4     | 376  | 166      | 1.50 | 9.1     | 344  | 152     | 1.64  | 10      | 303  | 134      | 1.86 | 11      | 207  | 128.51  | 0.9   | F 37    | 4    | 0.61    | 5129  | 2267     | 0.79  | F 97R57  | 4     | 12       | 190   | 117.88   | 1.0   | 14      | 162  | 100.36   | 1.2  |          |       | 16       | 140   |          |      | 86.53    | 1.3   |         |      |          |       |         |      | 17       | 130  | 80.65   | 1.4  |         |       | 20      | 114   | 70.50    | 1.7  | 21      | 107  | 66.09    | 1.8  | 24      | 94    | 58.32    | 2.0   | 25       | 88    | 54.54   | 2.1   | 27      | 83    | 51.70    | 2.3  | 30      | 76   | 47.02   | 2.5  | 32      | 71    | 43.83   | 2.7   | 36      | 62   | 38.31   | 3.0   | 39      | 58   | 35.91    | 3.2   | 44      | 51   | 31.69   | 3.7   | 49       | 45   | 28.09   | 4.1  | 58       | 39   | 23.88    | 4.9  | 59      | 38    | 23.63    | 4.9   | 68       | 33   | 20.57   | 5.7   | 72      | 31    | 19.27    | 6.0  | 82      | 27   | 17.03   | 6.8   | 88      | 26   | 15.81    | 7.4   | 97      | 23   | 14.33   | 8.1  | 108     | 21   | 12.87   | 9.0  | 125     | 18   | 11.08   | 10   | 133     | 17    | 10.42   | 10   | 155     | 14   | 8.97    | 11   | 185     | 12   | 7.51     | 11   |         |      |         |      |         |      |          |       |         |      |          |      |          |      |          |      |         |      |         |      |         |      |          |      |         |      |         |      |         |      |         |      |         |      |         |      |         |      |          |      |         |      |         |      |         |      |         |      |          |      |         |      |         |      |         |      |         |      |          |      |         |      |         |      |         |      |         |      |        |      |         |      |         |      |       |      |         |      |         |      |          |      |          |      |         |      |         |      |         |      |          |      |         |      |         |      |         |      |         |      |          |      |         |      |         |      |          |      |      |      |         |      |         |      |         |      |         |      |          |      |         |      |          |      |         |      |        |      |         |      |          |      |         |      |         |      |         |      |          |      |         |      |         |      |         |      |          |      |         |      |       |      |        |      |          |      |         |      |         |      |      |      |         |      |          |      |          |      |         |      |          |      |      |      |         |      |         |      |         |      |          |      |       |      |        |      |          |      |      |      |       |      |        |      |         |      |      |      |        |      |        |      |         |      |     |      |        |      |         |      |       |      |        |      |          |      |       |      |         |      |        |      |         |     |      |      |        |      |         |     |        |      |         |     |        |      |        |     |        |      |       |      |         |      |        |     |        |      |       |     |        |      |       |     |        |     |       |     |       |      |       |      |         |     |       |     |        |     |       |     |        |     |       |     |       |     |       |     |       |     |       |     |       |     |       |     |       |     |       |     |       |     |       |     |       |     |       |     |       |     |       |     |       |     |       |     |       |     |       |     |       |     |       |     |       |     |       |     |       |     |       |     |       |     |       |     |       |     |       |     |       |     |       |     |       |     |       |    |       |     |       |    |       |     |      |    |       |     |      |    |       |     |     |    |       |     |     |    |       |    |     |    |       |    |     |    |      |    |     |    |
| 7.7           | 410        | 181      | 1.38                   |             |         | 5.3           | 593        |          |                        | 262         | 0.95    |          |       |               |      |         |      | 6.2           | 511   | 226     | 1.10 |               |      | 7.0      | 452   | 200           | 1.25  | 8.4     | 376  | 166      | 1.50  | 9.1     | 344  | 152      | 1.64  | 10      | 303  | 134      | 1.86 | 11      | 207  | 128.51  | 0.9   | F 37    | 4    | 0.61     | 5129 | 2267    | 0.79 | F 97R57 | 4     |         |      | 12      | 190   | 117.88   | 1.0   |          |       | 14       | 162   | 100.36   | 1.2   | 16      | 140  | 86.53    | 1.3  |          |       | 17       | 130   |          |      | 80.65    | 1.4   |         |      |          |       | 20      | 114  | 70.50    | 1.7  | 21      | 107  | 66.09   | 1.8   | 24      | 94    | 58.32    | 2.0  | 25      | 88   | 54.54    | 2.1  | 27      | 83    | 51.70    | 2.3   | 30       | 76    | 47.02   | 2.5   | 32      | 71    | 43.83    | 2.7  | 36      | 62   | 38.31   | 3.0  | 39      | 58    | 35.91   | 3.2   | 44      | 51   | 31.69   | 3.7   | 49      | 45   | 28.09    | 4.1   | 58      | 39   | 23.88   | 4.9   | 59       | 38   | 23.63   | 4.9  | 68       | 33   | 20.57    | 5.7  | 72      | 31    | 19.27    | 6.0   | 82       | 27   | 17.03   | 6.8   | 88      | 26    | 15.81    | 7.4  | 97      | 23   | 14.33   | 8.1   | 108     | 21   | 12.87    | 9.0   | 125     | 18   | 11.08   | 10   | 133     | 17   | 10.42   | 10   | 155     | 14   | 8.97    | 11   | 185     | 12    | 7.51    | 11   |         |      |         |      |         |      |          |      |         |      |         |      |         |      |          |       |         |      |          |      |          |      |          |      |         |      |         |      |         |      |          |      |         |      |         |      |         |      |         |      |         |      |         |      |         |      |          |      |         |      |         |      |         |      |         |      |          |      |         |      |         |      |         |      |         |      |          |      |         |      |         |      |         |      |         |      |        |      |         |      |         |      |       |      |         |      |         |      |          |      |          |      |         |      |         |      |         |      |          |      |         |      |         |      |         |      |         |      |          |      |         |      |         |      |          |      |      |      |         |      |         |      |         |      |         |      |          |      |         |      |          |      |         |      |        |      |         |      |          |      |         |      |         |      |         |      |          |      |         |      |         |      |         |      |          |      |         |      |       |      |        |      |          |      |         |      |         |      |      |      |         |      |          |      |          |      |         |      |          |      |      |      |         |      |         |      |         |      |          |      |       |      |        |      |          |      |      |      |       |      |        |      |         |      |      |      |        |      |        |      |         |      |     |      |        |      |         |      |       |      |        |      |          |      |       |      |         |      |        |      |         |     |      |      |        |      |         |     |        |      |         |     |        |      |        |     |        |      |       |      |         |      |        |     |        |      |       |     |        |      |       |     |        |     |       |     |       |      |       |      |         |     |       |     |        |     |       |     |        |     |       |     |       |     |       |     |       |     |       |     |       |     |       |     |       |     |       |     |       |     |       |     |       |     |       |     |       |     |       |     |       |     |       |     |       |     |       |     |       |     |       |     |       |     |       |     |       |     |       |     |       |     |       |     |       |     |       |     |       |     |       |     |       |     |       |    |       |     |       |    |       |     |      |    |       |     |      |    |       |     |     |    |       |     |     |    |       |    |     |    |       |    |     |    |      |    |     |    |
| 5.3           | 593        | 262      | 0.95                   |             |         | 6.2           | 511        |          |                        | 226         | 1.10    |          |       |               |      | 7.0     | 452  | 200           | 1.25  | 8.4     | 376  | 166           | 1.50 | 9.1      | 344   | 152           | 1.64  | 10      | 303  | 134      | 1.86  | 11      | 207  | 128.51   | 0.9   | F 37    | 4    | 0.61     | 5129 | 2267    | 0.79 | F 97R57 | 4     |         |      | 12       | 190  | 117.88  | 1.0  |         |       |         |      | 14      | 162   | 100.36   | 1.2   |          |       | 16       | 140   | 86.53    | 1.3   | 17      | 130  | 80.65    | 1.4  |          |       | 20       | 114   | 70.50    | 1.7  | 21       | 107   |         |      | 66.09    | 1.8   | 24      | 94   | 58.32    | 2.0  | 25      | 88   | 54.54   | 2.1   | 27      | 83    | 51.70    | 2.3  | 30      | 76   | 47.02    | 2.5  | 32      | 71    | 43.83    | 2.7   | 36       | 62    | 38.31   | 3.0   | 39      | 58    | 35.91    | 3.2  | 44      | 51   | 31.69   | 3.7  | 49      | 45    | 28.09   | 4.1   | 58      | 39   | 23.88   | 4.9   | 59      | 38   | 23.63    | 4.9   | 68      | 33   | 20.57   | 5.7   | 72       | 31   | 19.27   | 6.0  | 82       | 27   | 17.03    | 6.8  | 88      | 26    | 15.81    | 7.4   | 97       | 23   | 14.33   | 8.1   | 108     | 21    | 12.87    | 9.0  | 125     | 18   | 11.08   | 10    | 133     | 17   | 10.42    | 10    | 155     | 14   | 8.97    | 11   | 185     | 12   | 7.51    | 11   |         |      |         |      |         |       |         |      |         |      |         |      |         |      |          |      |         |      |         |      |         |      |          |       |         |      |          |      |          |      |          |      |         |      |         |      |         |      |          |      |         |      |         |      |         |      |         |      |         |      |         |      |         |      |          |      |         |      |         |      |         |      |         |      |          |      |         |      |         |      |         |      |         |      |          |      |         |      |         |      |         |      |         |      |        |      |         |      |         |      |       |      |         |      |         |      |          |      |          |      |         |      |         |      |         |      |          |      |         |      |         |      |         |      |         |      |          |      |         |      |         |      |          |      |      |      |         |      |         |      |         |      |         |      |          |      |         |      |          |      |         |      |        |      |         |      |          |      |         |      |         |      |         |      |          |      |         |      |         |      |         |      |          |      |         |      |       |      |        |      |          |      |         |      |         |      |      |      |         |      |          |      |          |      |         |      |          |      |      |      |         |      |         |      |         |      |          |      |       |      |        |      |          |      |      |      |       |      |        |      |         |      |      |      |        |      |        |      |         |      |     |      |        |      |         |      |       |      |        |      |          |      |       |      |         |      |        |      |         |     |      |      |        |      |         |     |        |      |         |     |        |      |        |     |        |      |       |      |         |      |        |     |        |      |       |     |        |      |       |     |        |     |       |     |       |      |       |      |         |     |       |     |        |     |       |     |        |     |       |     |       |     |       |     |       |     |       |     |       |     |       |     |       |     |       |     |       |     |       |     |       |     |       |     |       |     |       |     |       |     |       |     |       |     |       |     |       |     |       |     |       |     |       |     |       |     |       |     |       |     |       |     |       |     |       |     |       |     |       |     |       |     |       |    |       |     |       |    |       |     |      |    |       |     |      |    |       |     |     |    |       |     |     |    |       |    |     |    |       |    |     |    |      |    |     |    |
| 6.2           | 511        | 226      | 1.10                   |             |         | 7.0           | 452        | 200      | 1.25                   | 8.4         | 376     |          |       | 166           | 1.50 | 9.1     | 344  | 152           | 1.64  | 10      | 303  | 134           | 1.86 | 11       | 207   | 128.51        | 0.9   | F 37    | 4    | 0.61     | 5129  | 2267    | 0.79 | F 97R57  | 4     |         |      | 12       | 190  | 117.88  | 1.0  |         |       |         |      | 14       | 162  | 100.36  | 1.2  |         |       |         |      | 16      | 140   | 86.53    | 1.3   |          |       | 17       | 130   | 80.65    | 1.4   | 20      | 114  | 70.50    | 1.7  | 21       | 107   | 66.09    | 1.8   | 24       | 94   | 58.32    | 2.0   | 25      | 88   | 54.54    | 2.1   | 27      | 83   | 51.70    | 2.3  | 30      | 76   | 47.02   | 2.5   | 32      | 71    | 43.83    | 2.7  | 36      | 62   | 38.31    | 3.0  | 39      | 58    | 35.91    | 3.2   | 44       | 51    | 31.69   | 3.7   | 49      | 45    | 28.09    | 4.1  | 58      | 39   | 23.88   | 4.9  | 59      | 38    | 23.63   | 4.9   | 68      | 33   | 20.57   | 5.7   | 72      | 31   | 19.27    | 6.0   | 82      | 27   | 17.03   | 6.8   | 88       | 26   | 15.81   | 7.4  | 97       | 23   | 14.33    | 8.1  | 108     | 21    | 12.87    | 9.0   | 125      | 18   | 11.08   | 10    | 133     | 17    | 10.42    | 10   | 155     | 14   | 8.97    | 11    | 185     | 12   | 7.51     | 11    |         |      |         |      |         |      |         |      |         |      |         |      |         |       |         |      |         |      |         |      |         |      |          |      |         |      |         |      |         |      |          |       |         |      |          |      |          |      |          |      |         |      |         |      |         |      |          |      |         |      |         |      |         |      |         |      |         |      |         |      |         |      |          |      |         |      |         |      |         |      |         |      |          |      |         |      |         |      |         |      |         |      |          |      |         |      |         |      |         |      |         |      |        |      |         |      |         |      |       |      |         |      |         |      |          |      |          |      |         |      |         |      |         |      |          |      |         |      |         |      |         |      |         |      |          |      |         |      |         |      |          |      |      |      |         |      |         |      |         |      |         |      |          |      |         |      |          |      |         |      |        |      |         |      |          |      |         |      |         |      |         |      |          |      |         |      |         |      |         |      |          |      |         |      |       |      |        |      |          |      |         |      |         |      |      |      |         |      |          |      |          |      |         |      |          |      |      |      |         |      |         |      |         |      |          |      |       |      |        |      |          |      |      |      |       |      |        |      |         |      |      |      |        |      |        |      |         |      |     |      |        |      |         |      |       |      |        |      |          |      |       |      |         |      |        |      |         |     |      |      |        |      |         |     |        |      |         |     |        |      |        |     |        |      |       |      |         |      |        |     |        |      |       |     |        |      |       |     |        |     |       |     |       |      |       |      |         |     |       |     |        |     |       |     |        |     |       |     |       |     |       |     |       |     |       |     |       |     |       |     |       |     |       |     |       |     |       |     |       |     |       |     |       |     |       |     |       |     |       |     |       |     |       |     |       |     |       |     |       |     |       |     |       |     |       |     |       |     |       |     |       |     |       |     |       |     |       |     |       |     |       |    |       |     |       |    |       |     |      |    |       |     |      |    |       |     |     |    |       |     |     |    |       |    |     |    |       |    |     |    |      |    |     |    |
| 7.0           | 452        | 200      | 1.25                   | 8.4         | 376     | 166           | 1.50       | 9.1      | 344                    | 152         | 1.64    | 10       | 303   | 134           | 1.86 | 11      | 207  | 128.51        | 0.9   | F 37    | 4    | 0.61          | 5129 | 2267     | 0.79  | F 97R57       | 4     |         |      | 12       | 190   | 117.88  | 1.0  |          |       |         |      | 14       | 162  | 100.36  | 1.2  |         |       |         |      | 16       | 140  | 86.53   | 1.3  |         |       |         |      | 17      | 130   | 80.65    | 1.4   |          |       | 20       | 114   | 70.50    | 1.7   | 21      | 107  | 66.09    | 1.8  | 24       | 94    | 58.32    | 2.0   | 25       | 88   | 54.54    | 2.1   | 27      | 83   | 51.70    | 2.3   | 30      | 76   | 47.02    | 2.5  | 32      | 71   | 43.83   | 2.7   | 36      | 62    | 38.31    | 3.0  | 39      | 58   | 35.91    | 3.2  | 44      | 51    | 31.69    | 3.7   | 49       | 45    | 28.09   | 4.1   | 58      | 39    | 23.88    | 4.9  | 59      | 38   | 23.63   | 4.9  | 68      | 33    | 20.57   | 5.7   | 72      | 31   | 19.27   | 6.0   | 82      | 27   | 17.03    | 6.8   | 88      | 26   | 15.81   | 7.4   | 97       | 23   | 14.33   | 8.1  | 108      | 21   | 12.87    | 9.0  | 125     | 18    | 11.08    | 10    | 133      | 17   | 10.42   | 10    | 155     | 14    | 8.97     | 11   | 185     | 12   | 7.51    | 11    |         |      |          |       |         |      |         |      |         |      |         |      |         |      |         |      |         |       |         |      |         |      |         |      |         |      |          |      |         |      |         |      |         |      |          |       |         |      |          |      |          |      |          |      |         |      |         |      |         |      |          |      |         |      |         |      |         |      |         |      |         |      |         |      |         |      |          |      |         |      |         |      |         |      |         |      |          |      |         |      |         |      |         |      |         |      |          |      |         |      |         |      |         |      |         |      |        |      |         |      |         |      |       |      |         |      |         |      |          |      |          |      |         |      |         |      |         |      |          |      |         |      |         |      |         |      |         |      |          |      |         |      |         |      |          |      |      |      |         |      |         |      |         |      |         |      |          |      |         |      |          |      |         |      |        |      |         |      |          |      |         |      |         |      |         |      |          |      |         |      |         |      |         |      |          |      |         |      |       |      |        |      |          |      |         |      |         |      |      |      |         |      |          |      |          |      |         |      |          |      |      |      |         |      |         |      |         |      |          |      |       |      |        |      |          |      |      |      |       |      |        |      |         |      |      |      |        |      |        |      |         |      |     |      |        |      |         |      |       |      |        |      |          |      |       |      |         |      |        |      |         |     |      |      |        |      |         |     |        |      |         |     |        |      |        |     |        |      |       |      |         |      |        |     |        |      |       |     |        |      |       |     |        |     |       |     |       |      |       |      |         |     |       |     |        |     |       |     |        |     |       |     |       |     |       |     |       |     |       |     |       |     |       |     |       |     |       |     |       |     |       |     |       |     |       |     |       |     |       |     |       |     |       |     |       |     |       |     |       |     |       |     |       |     |       |     |       |     |       |     |       |     |       |     |       |     |       |     |       |     |       |     |       |     |       |    |       |     |       |    |       |     |      |    |       |     |      |    |       |     |     |    |       |     |     |    |       |    |     |    |       |    |     |    |      |    |     |    |
| 8.4           | 376        | 166      | 1.50                   | 9.1         | 344     | 152           | 1.64       | 10       | 303                    | 134         | 1.86    | 11       | 207   | 128.51        | 0.9  | F 37    | 4    | 0.61          | 5129  |         |      | 2267          | 0.79 | F 97R57  | 4     |               |       |         |      | 12       | 190   | 117.88  | 1.0  |          |       |         |      | 14       | 162  | 100.36  | 1.2  |         |       |         |      | 16       | 140  | 86.53   | 1.3  |         |       | 17      | 130  | 80.65   | 1.4   | 20       | 114   | 70.50    | 1.7   | 21       | 107   | 66.09    | 1.8   | 24      | 94   | 58.32    | 2.0  | 25       | 88    | 54.54    | 2.1   | 27       | 83   | 51.70    | 2.3   | 30      | 76   | 47.02    | 2.5   | 32      | 71   | 43.83    | 2.7  | 36      | 62   | 38.31   | 3.0   | 39      | 58    | 35.91    | 3.2  | 44      | 51   | 31.69    | 3.7  | 49      | 45    | 28.09    | 4.1   | 58       | 39    | 23.88   | 4.9   | 59      | 38    | 23.63    | 4.9  | 68      | 33   | 20.57   | 5.7  | 72      | 31    | 19.27   | 6.0   | 82      | 27   | 17.03   | 6.8   | 88      | 26   | 15.81    | 7.4   | 97      | 23   | 14.33   | 8.1   | 108      | 21   | 12.87   | 9.0  | 125      | 18   | 11.08    | 10   | 133     | 17    | 10.42    | 10    | 155      | 14   | 8.97    | 11    | 185     | 12    | 7.51     | 11   |         |      |         |       |         |      |          |       |         |      |         |      |         |      |         |      |         |      |         |      |         |       |         |      |         |      |         |      |         |      |          |      |         |      |         |      |         |      |          |       |         |      |          |      |          |      |          |      |         |      |         |      |         |      |          |      |         |      |         |      |         |      |         |      |         |      |         |      |         |      |          |      |         |      |         |      |         |      |         |      |          |      |         |      |         |      |         |      |         |      |          |      |         |      |         |      |         |      |         |      |        |      |         |      |         |      |       |      |         |      |         |      |          |      |          |      |         |      |         |      |         |      |          |      |         |      |         |      |         |      |         |      |          |      |         |      |         |      |          |      |      |      |         |      |         |      |         |      |         |      |          |      |         |      |          |      |         |      |        |      |         |      |          |      |         |      |         |      |         |      |          |      |         |      |         |      |         |      |          |      |         |      |       |      |        |      |          |      |         |      |         |      |      |      |         |      |          |      |          |      |         |      |          |      |      |      |         |      |         |      |         |      |          |      |       |      |        |      |          |      |      |      |       |      |        |      |         |      |      |      |        |      |        |      |         |      |     |      |        |      |         |      |       |      |        |      |          |      |       |      |         |      |        |      |         |     |      |      |        |      |         |     |        |      |         |     |        |      |        |     |        |      |       |      |         |      |        |     |        |      |       |     |        |      |       |     |        |     |       |     |       |      |       |      |         |     |       |     |        |     |       |     |        |     |       |     |       |     |       |     |       |     |       |     |       |     |       |     |       |     |       |     |       |     |       |     |       |     |       |     |       |     |       |     |       |     |       |     |       |     |       |     |       |     |       |     |       |     |       |     |       |     |       |     |       |     |       |     |       |     |       |     |       |     |       |     |       |     |       |    |       |     |       |    |       |     |      |    |       |     |      |    |       |     |     |    |       |     |     |    |       |    |     |    |       |    |     |    |      |    |     |    |
| 9.1           | 344        | 152      | 1.64                   | 10          | 303     | 134           | 1.86       | 11       | 207                    | 128.51      | 0.9     | F 37     | 4     | 0.61          | 5129 |         |      | 2267          | 0.79  |         |      | F 97R57       | 4    |          |       |               |       |         |      | 12       | 190   | 117.88  | 1.0  |          |       |         |      | 14       | 162  | 100.36  | 1.2  |         |       | 16      | 140  | 86.53    | 1.3  | 17      | 130  | 80.65   | 1.4   | 20      | 114  | 70.50   | 1.7   | 21       | 107   | 66.09    | 1.8   | 24       | 94    | 58.32    | 2.0   | 25      | 88   | 54.54    | 2.1  | 27       | 83    | 51.70    | 2.3   | 30       | 76   | 47.02    | 2.5   | 32      | 71   | 43.83    | 2.7   | 36      | 62   | 38.31    | 3.0  | 39      | 58   | 35.91   | 3.2   | 44      | 51    | 31.69    | 3.7  | 49      | 45   | 28.09    | 4.1  | 58      | 39    | 23.88    | 4.9   | 59       | 38    | 23.63   | 4.9   | 68      | 33    | 20.57    | 5.7  | 72      | 31   | 19.27   | 6.0  | 82      | 27    | 17.03   | 6.8   | 88      | 26   | 15.81   | 7.4   | 97      | 23   | 14.33    | 8.1   | 108     | 21   | 12.87   | 9.0   | 125      | 18   | 11.08   | 10   | 133      | 17   | 10.42    | 10   | 155     | 14    | 8.97     | 11    | 185      | 12   | 7.51    | 11    |         |       |          |      |         |      |         |       |         |      |          |       |         |      |         |      |         |      |         |      |         |      |         |      |         |       |         |      |         |      |         |      |         |      |          |      |         |      |         |      |         |      |          |       |         |      |          |      |          |      |          |      |         |      |         |      |         |      |          |      |         |      |         |      |         |      |         |      |         |      |         |      |         |      |          |      |         |      |         |      |         |      |         |      |          |      |         |      |         |      |         |      |         |      |          |      |         |      |         |      |         |      |         |      |        |      |         |      |         |      |       |      |         |      |         |      |          |      |          |      |         |      |         |      |         |      |          |      |         |      |         |      |         |      |         |      |          |      |         |      |         |      |          |      |      |      |         |      |         |      |         |      |         |      |          |      |         |      |          |      |         |      |        |      |         |      |          |      |         |      |         |      |         |      |          |      |         |      |         |      |         |      |          |      |         |      |       |      |        |      |          |      |         |      |         |      |      |      |         |      |          |      |          |      |         |      |          |      |      |      |         |      |         |      |         |      |          |      |       |      |        |      |          |      |      |      |       |      |        |      |         |      |      |      |        |      |        |      |         |      |     |      |        |      |         |      |       |      |        |      |          |      |       |      |         |      |        |      |         |     |      |      |        |      |         |     |        |      |         |     |        |      |        |     |        |      |       |      |         |      |        |     |        |      |       |     |        |      |       |     |        |     |       |     |       |      |       |      |         |     |       |     |        |     |       |     |        |     |       |     |       |     |       |     |       |     |       |     |       |     |       |     |       |     |       |     |       |     |       |     |       |     |       |     |       |     |       |     |       |     |       |     |       |     |       |     |       |     |       |     |       |     |       |     |       |     |       |     |       |     |       |     |       |     |       |     |       |     |       |     |       |     |       |    |       |     |       |    |       |     |      |    |       |     |      |    |       |     |     |    |       |     |     |    |       |    |     |    |       |    |     |    |      |    |     |    |
| 10            | 303        | 134      | 1.86                   | 11          | 207     | 128.51        | 0.9        | F 37     | 4                      | 0.61        | 5129    |          |       | 2267          | 0.79 |         |      | F 97R57       | 4     |         |      |               |      |          |       |               |       |         |      | 12       | 190   | 117.88  | 1.0  |          |       | 14      | 162  | 100.36   | 1.2  | 16      | 140  | 86.53   | 1.3   | 17      | 130  | 80.65    | 1.4  | 20      | 114  | 70.50   | 1.7   | 21      | 107  | 66.09   | 1.8   | 24       | 94    | 58.32    | 2.0   | 25       | 88    | 54.54    | 2.1   | 27      | 83   | 51.70    | 2.3  | 30       | 76    | 47.02    | 2.5   | 32       | 71   | 43.83    | 2.7   | 36      | 62   | 38.31    | 3.0   | 39      | 58   | 35.91    | 3.2  | 44      | 51   | 31.69   | 3.7   | 49      | 45    | 28.09    | 4.1  | 58      | 39   | 23.88    | 4.9  | 59      | 38    | 23.63    | 4.9   | 68       | 33    | 20.57   | 5.7   | 72      | 31    | 19.27    | 6.0  | 82      | 27   | 17.03   | 6.8  | 88      | 26    | 15.81   | 7.4   | 97      | 23   | 14.33   | 8.1   | 108     | 21   | 12.87    | 9.0   | 125     | 18   | 11.08   | 10    | 133      | 17   | 10.42   | 10   | 155      | 14   | 8.97     | 11   | 185     | 12    | 7.51     | 11    |          |      |         |       |         |       |          |      |         |      |         |       |         |      |          |       |         |      |         |      |         |      |         |      |         |      |         |      |         |       |         |      |         |      |         |      |         |      |          |      |         |      |         |      |         |      |          |       |         |      |          |      |          |      |          |      |         |      |         |      |         |      |          |      |         |      |         |      |         |      |         |      |         |      |         |      |         |      |          |      |         |      |         |      |         |      |         |      |          |      |         |      |         |      |         |      |         |      |          |      |         |      |         |      |         |      |         |      |        |      |         |      |         |      |       |      |         |      |         |      |          |      |          |      |         |      |         |      |         |      |          |      |         |      |         |      |         |      |         |      |          |      |         |      |         |      |          |      |      |      |         |      |         |      |         |      |         |      |          |      |         |      |          |      |         |      |        |      |         |      |          |      |         |      |         |      |         |      |          |      |         |      |         |      |         |      |          |      |         |      |       |      |        |      |          |      |         |      |         |      |      |      |         |      |          |      |          |      |         |      |          |      |      |      |         |      |         |      |         |      |          |      |       |      |        |      |          |      |      |      |       |      |        |      |         |      |      |      |        |      |        |      |         |      |     |      |        |      |         |      |       |      |        |      |          |      |       |      |         |      |        |      |         |     |      |      |        |      |         |     |        |      |         |     |        |      |        |     |        |      |       |      |         |      |        |     |        |      |       |     |        |      |       |     |        |     |       |     |       |      |       |      |         |     |       |     |        |     |       |     |        |     |       |     |       |     |       |     |       |     |       |     |       |     |       |     |       |     |       |     |       |     |       |     |       |     |       |     |       |     |       |     |       |     |       |     |       |     |       |     |       |     |       |     |       |     |       |     |       |     |       |     |       |     |       |     |       |     |       |     |       |     |       |     |       |     |       |    |       |     |       |    |       |     |      |    |       |     |      |    |       |     |     |    |       |     |     |    |       |    |     |    |       |    |     |    |      |    |     |    |
| 11            | 207        | 128.51   | 0.9                    | F 37        | 4       | 0.61          | 5129       |          |                        | 2267        | 0.79    |          |       | F 97R57       | 4    |         |      |               |       |         |      |               |      |          |       |               |       |         |      |          |       |         |      |          |       |         |      |          |      |         |      |         |       |         |      |          |      |         |      |         |       |         |      |         |       |          |       |          |       |          |       |          |       |         |      |          |      |          |       |          |       |          |      |          |       |         |      |          |       |         |      |          |      |         |      |         |       |         |       |          |      |         |      |          |      |         |       |          |       |          |       |         |       |         |       |          |      |         |      |         |      |         |       |         |       |         |      |         |       |         |      |          |       |         |      |         |       |          |      |         |      |          |      |          |      |         |       |          |       |          |      |         |       |         |       |          |      |         |      |         |       |         |      |          |       |         |      |         |      |         |      |         |      |         |      |         |      |         |       |         |      |         |      |         |      |         |      |          |      |         |      |         |      |         |      |          |       |         |      |          |      |          |      |          |      |         |      |         |      |         |      |          |      |         |      |         |      |         |      |         |      |         |      |         |      |         |      |          |      |         |      |         |      |         |      |         |      |          |      |         |      |         |      |         |      |         |      |          |      |         |      |         |      |         |      |         |      |        |      |         |      |         |      |       |      |         |      |         |      |          |      |          |      |         |      |         |      |         |      |          |      |         |      |         |      |         |      |         |      |          |      |         |      |         |      |          |      |      |      |         |      |         |      |         |      |         |      |          |      |         |      |          |      |         |      |        |      |         |      |          |      |         |      |         |      |         |      |          |      |         |      |         |      |         |      |          |      |         |      |       |      |        |      |          |      |         |      |         |      |      |      |         |      |          |      |          |      |         |      |          |      |      |      |         |      |         |      |         |      |          |      |       |      |        |      |          |      |      |      |       |      |        |      |         |      |      |      |        |      |        |      |         |      |     |      |        |      |         |      |       |      |        |      |          |      |       |      |         |      |        |      |         |     |      |      |        |      |         |     |        |      |         |     |        |      |        |     |        |      |       |      |         |      |        |     |        |      |       |     |        |      |       |     |        |     |       |     |       |      |       |      |         |     |       |     |        |     |       |     |        |     |       |     |       |     |       |     |       |     |       |     |       |     |       |     |       |     |       |     |       |     |       |     |       |     |       |     |       |     |       |     |       |     |       |     |       |     |       |     |       |     |       |     |       |     |       |     |       |     |       |     |       |     |       |     |       |     |       |     |       |     |       |     |       |     |       |    |       |     |       |    |       |     |      |    |       |     |      |    |       |     |     |    |       |     |     |    |       |    |     |    |       |    |     |    |      |    |     |    |
| 12            | 190        | 117.88   | 1.0                    |             |         | 14            | 162        |          |                        | 100.36      | 1.2     |          |       |               |      |         |      |               |       | 16      | 140  |               |      |          |       | 86.53         | 1.3   | 17      | 130  | 80.65    | 1.4   | 20      | 114  | 70.50    | 1.7   | 21      | 107  | 66.09    | 1.8  | 24      | 94   | 58.32   | 2.0   | 25      | 88   | 54.54    | 2.1  | 27      | 83   | 51.70   | 2.3   | 30      | 76   | 47.02   | 2.5   | 32       | 71    | 43.83    | 2.7   | 36       | 62    | 38.31    | 3.0   | 39      | 58   | 35.91    | 3.2  | 44       | 51    | 31.69    | 3.7   | 49       | 45   | 28.09    | 4.1   | 58      | 39   | 23.88    | 4.9   | 59      | 38   | 23.63    | 4.9  | 68      | 33   | 20.57   | 5.7   | 72      | 31    | 19.27    | 6.0  | 82      | 27   | 17.03    | 6.8  | 88      | 26    | 15.81    | 7.4   | 97       | 23    | 14.33   | 8.1   | 108     | 21    | 12.87    | 9.0  | 125     | 18   | 11.08   | 10   | 133     | 17    | 10.42   | 10    | 155     | 14   | 8.97    | 11    | 185     | 12   | 7.51     | 11    |         |      |         |       |          |      |         |      |          |      |          |      |         |       |          |       |          |      |         |       |         |       |          |      |         |      |         |       |         |      |          |       |         |      |         |      |         |      |         |      |         |      |         |      |         |       |         |      |         |      |         |      |         |      |          |      |         |      |         |      |         |      |          |       |         |      |          |      |          |      |          |      |         |      |         |      |         |      |          |      |         |      |         |      |         |      |         |      |         |      |         |      |         |      |          |      |         |      |         |      |         |      |         |      |          |      |         |      |         |      |         |      |         |      |          |      |         |      |         |      |         |      |         |      |        |      |         |      |         |      |       |      |         |      |         |      |          |      |          |      |         |      |         |      |         |      |          |      |         |      |         |      |         |      |         |      |          |      |         |      |         |      |          |      |      |      |         |      |         |      |         |      |         |      |          |      |         |      |          |      |         |      |        |      |         |      |          |      |         |      |         |      |         |      |          |      |         |      |         |      |         |      |          |      |         |      |       |      |        |      |          |      |         |      |         |      |      |      |         |      |          |      |          |      |         |      |          |      |      |      |         |      |         |      |         |      |          |      |       |      |        |      |          |      |      |      |       |      |        |      |         |      |      |      |        |      |        |      |         |      |     |      |        |      |         |      |       |      |        |      |          |      |       |      |         |      |        |      |         |     |      |      |        |      |         |     |        |      |         |     |        |      |        |     |        |      |       |      |         |      |        |     |        |      |       |     |        |      |       |     |        |     |       |     |       |      |       |      |         |     |       |     |        |     |       |     |        |     |       |     |       |     |       |     |       |     |       |     |       |     |       |     |       |     |       |     |       |     |       |     |       |     |       |     |       |     |       |     |       |     |       |     |       |     |       |     |       |     |       |     |       |     |       |     |       |     |       |     |       |     |       |     |       |     |       |     |       |     |       |     |       |     |       |    |       |     |       |    |       |     |      |    |       |     |      |    |       |     |     |    |       |     |     |    |       |    |     |    |       |    |     |    |      |    |     |    |
| 14            | 162        | 100.36   | 1.2                    |             |         | 16            | 140        |          |                        | 86.53       | 1.3     |          |       |               |      | 17      | 130  |               |       | 80.65   | 1.4  |               |      | 20       | 114   | 70.50         | 1.7   | 21      | 107  | 66.09    | 1.8   | 24      | 94   | 58.32    | 2.0   | 25      | 88   | 54.54    | 2.1  | 27      | 83   | 51.70   | 2.3   | 30      | 76   | 47.02    | 2.5  | 32      | 71   | 43.83   | 2.7   | 36      | 62   | 38.31   | 3.0   | 39       | 58    | 35.91    | 3.2   | 44       | 51    | 31.69    | 3.7   | 49      | 45   | 28.09    | 4.1  | 58       | 39    | 23.88    | 4.9   | 59       | 38   | 23.63    | 4.9   | 68      | 33   | 20.57    | 5.7   | 72      | 31   | 19.27    | 6.0  | 82      | 27   | 17.03   | 6.8   | 88      | 26    | 15.81    | 7.4  | 97      | 23   | 14.33    | 8.1  | 108     | 21    | 12.87    | 9.0   | 125      | 18    | 11.08   | 10    | 133     | 17    | 10.42    | 10   | 155     | 14   | 8.97    | 11   | 185     | 12    | 7.51    | 11    |         |      |         |       |         |      |          |       |         |      |         |       |          |      |         |      |          |      |          |      |         |       |          |       |          |      |         |       |         |       |          |      |         |      |         |       |         |      |          |       |         |      |         |      |         |      |         |      |         |      |         |      |         |       |         |      |         |      |         |      |         |      |          |      |         |      |         |      |         |      |          |       |         |      |          |      |          |      |          |      |         |      |         |      |         |      |          |      |         |      |         |      |         |      |         |      |         |      |         |      |         |      |          |      |         |      |         |      |         |      |         |      |          |      |         |      |         |      |         |      |         |      |          |      |         |      |         |      |         |      |         |      |        |      |         |      |         |      |       |      |         |      |         |      |          |      |          |      |         |      |         |      |         |      |          |      |         |      |         |      |         |      |         |      |          |      |         |      |         |      |          |      |      |      |         |      |         |      |         |      |         |      |          |      |         |      |          |      |         |      |        |      |         |      |          |      |         |      |         |      |         |      |          |      |         |      |         |      |         |      |          |      |         |      |       |      |        |      |          |      |         |      |         |      |      |      |         |      |          |      |          |      |         |      |          |      |      |      |         |      |         |      |         |      |          |      |       |      |        |      |          |      |      |      |       |      |        |      |         |      |      |      |        |      |        |      |         |      |     |      |        |      |         |      |       |      |        |      |          |      |       |      |         |      |        |      |         |     |      |      |        |      |         |     |        |      |         |     |        |      |        |     |        |      |       |      |         |      |        |     |        |      |       |     |        |      |       |     |        |     |       |     |       |      |       |      |         |     |       |     |        |     |       |     |        |     |       |     |       |     |       |     |       |     |       |     |       |     |       |     |       |     |       |     |       |     |       |     |       |     |       |     |       |     |       |     |       |     |       |     |       |     |       |     |       |     |       |     |       |     |       |     |       |     |       |     |       |     |       |     |       |     |       |     |       |     |       |     |       |     |       |    |       |     |       |    |       |     |      |    |       |     |      |    |       |     |     |    |       |     |     |    |       |    |     |    |       |    |     |    |      |    |     |    |
| 16            | 140        | 86.53    | 1.3                    |             |         | 17            | 130        |          |                        | 80.65       | 1.4     | 20       | 114   |               |      | 70.50   | 1.7  |               |       | 21      | 107  | 66.09         | 1.8  | 24       | 94    | 58.32         | 2.0   | 25      | 88   | 54.54    | 2.1   | 27      | 83   | 51.70    | 2.3   | 30      | 76   | 47.02    | 2.5  | 32      | 71   | 43.83   | 2.7   | 36      | 62   | 38.31    | 3.0  | 39      | 58   | 35.91   | 3.2   | 44      | 51   | 31.69   | 3.7   | 49       | 45    | 28.09    | 4.1   | 58       | 39    | 23.88    | 4.9   | 59      | 38   | 23.63    | 4.9  | 68       | 33    | 20.57    | 5.7   | 72       | 31   | 19.27    | 6.0   | 82      | 27   | 17.03    | 6.8   | 88      | 26   | 15.81    | 7.4  | 97      | 23   | 14.33   | 8.1   | 108     | 21    | 12.87    | 9.0  | 125     | 18   | 11.08    | 10   | 133     | 17    | 10.42    | 10    | 155      | 14    | 8.97    | 11    | 185     | 12    | 7.51     | 11   |         |      |         |      |         |       |         |       |         |      |         |       |         |      |          |       |         |      |         |       |          |      |         |      |          |      |          |      |         |       |          |       |          |      |         |       |         |       |          |      |         |      |         |       |         |      |          |       |         |      |         |      |         |      |         |      |         |      |         |      |         |       |         |      |         |      |         |      |         |      |          |      |         |      |         |      |         |      |          |       |         |      |          |      |          |      |          |      |         |      |         |      |         |      |          |      |         |      |         |      |         |      |         |      |         |      |         |      |         |      |          |      |         |      |         |      |         |      |         |      |          |      |         |      |         |      |         |      |         |      |          |      |         |      |         |      |         |      |         |      |        |      |         |      |         |      |       |      |         |      |         |      |          |      |          |      |         |      |         |      |         |      |          |      |         |      |         |      |         |      |         |      |          |      |         |      |         |      |          |      |      |      |         |      |         |      |         |      |         |      |          |      |         |      |          |      |         |      |        |      |         |      |          |      |         |      |         |      |         |      |          |      |         |      |         |      |         |      |          |      |         |      |       |      |        |      |          |      |         |      |         |      |      |      |         |      |          |      |          |      |         |      |          |      |      |      |         |      |         |      |         |      |          |      |       |      |        |      |          |      |      |      |       |      |        |      |         |      |      |      |        |      |        |      |         |      |     |      |        |      |         |      |       |      |        |      |          |      |       |      |         |      |        |      |         |     |      |      |        |      |         |     |        |      |         |     |        |      |        |     |        |      |       |      |         |      |        |     |        |      |       |     |        |      |       |     |        |     |       |     |       |      |       |      |         |     |       |     |        |     |       |     |        |     |       |     |       |     |       |     |       |     |       |     |       |     |       |     |       |     |       |     |       |     |       |     |       |     |       |     |       |     |       |     |       |     |       |     |       |     |       |     |       |     |       |     |       |     |       |     |       |     |       |     |       |     |       |     |       |     |       |     |       |     |       |     |       |     |       |    |       |     |       |    |       |     |      |    |       |     |      |    |       |     |     |    |       |     |     |    |       |    |     |    |       |    |     |    |      |    |     |    |
| 17            | 130        | 80.65    | 1.4                    |             |         | 20            | 114        | 70.50    | 1.7                    | 21          | 107     | 66.09    | 1.8   |               |      | 24      | 94   | 58.32         | 2.0   | 25      | 88   | 54.54         | 2.1  | 27       | 83    | 51.70         | 2.3   | 30      | 76   | 47.02    | 2.5   | 32      | 71   | 43.83    | 2.7   | 36      | 62   | 38.31    | 3.0  | 39      | 58   | 35.91   | 3.2   | 44      | 51   | 31.69    | 3.7  | 49      | 45   | 28.09   | 4.1   | 58      | 39   | 23.88   | 4.9   | 59       | 38    | 23.63    | 4.9   | 68       | 33    | 20.57    | 5.7   | 72      | 31   | 19.27    | 6.0  | 82       | 27    | 17.03    | 6.8   | 88       | 26   | 15.81    | 7.4   | 97      | 23   | 14.33    | 8.1   | 108     | 21   | 12.87    | 9.0  | 125     | 18   | 11.08   | 10    | 133     | 17    | 10.42    | 10   | 155     | 14   | 8.97     | 11   | 185     | 12    | 7.51     | 11    |          |       |         |       |         |       |          |      |         |      |         |      |         |       |         |       |         |      |         |       |         |      |          |       |         |      |         |       |          |      |         |      |          |      |          |      |         |       |          |       |          |      |         |       |         |       |          |      |         |      |         |       |         |      |          |       |         |      |         |      |         |      |         |      |         |      |         |      |         |       |         |      |         |      |         |      |         |      |          |      |         |      |         |      |         |      |          |       |         |      |          |      |          |      |          |      |         |      |         |      |         |      |          |      |         |      |         |      |         |      |         |      |         |      |         |      |         |      |          |      |         |      |         |      |         |      |         |      |          |      |         |      |         |      |         |      |         |      |          |      |         |      |         |      |         |      |         |      |        |      |         |      |         |      |       |      |         |      |         |      |          |      |          |      |         |      |         |      |         |      |          |      |         |      |         |      |         |      |         |      |          |      |         |      |         |      |          |      |      |      |         |      |         |      |         |      |         |      |          |      |         |      |          |      |         |      |        |      |         |      |          |      |         |      |         |      |         |      |          |      |         |      |         |      |         |      |          |      |         |      |       |      |        |      |          |      |         |      |         |      |      |      |         |      |          |      |          |      |         |      |          |      |      |      |         |      |         |      |         |      |          |      |       |      |        |      |          |      |      |      |       |      |        |      |         |      |      |      |        |      |        |      |         |      |     |      |        |      |         |      |       |      |        |      |          |      |       |      |         |      |        |      |         |     |      |      |        |      |         |     |        |      |         |     |        |      |        |     |        |      |       |      |         |      |        |     |        |      |       |     |        |      |       |     |        |     |       |     |       |      |       |      |         |     |       |     |        |     |       |     |        |     |       |     |       |     |       |     |       |     |       |     |       |     |       |     |       |     |       |     |       |     |       |     |       |     |       |     |       |     |       |     |       |     |       |     |       |     |       |     |       |     |       |     |       |     |       |     |       |     |       |     |       |     |       |     |       |     |       |     |       |     |       |     |       |     |       |    |       |     |       |    |       |     |      |    |       |     |      |    |       |     |     |    |       |     |     |    |       |    |     |    |       |    |     |    |      |    |     |    |
| 20            | 114        | 70.50    | 1.7                    | 21          | 107     | 66.09         | 1.8        | 24       | 94                     | 58.32       | 2.0     | 25       | 88    | 54.54         | 2.1  | 27      | 83   | 51.70         | 2.3   | 30      | 76   | 47.02         | 2.5  | 32       | 71    | 43.83         | 2.7   | 36      | 62   | 38.31    | 3.0   | 39      | 58   | 35.91    | 3.2   | 44      | 51   | 31.69    | 3.7  | 49      | 45   | 28.09   | 4.1   | 58      | 39   | 23.88    | 4.9  | 59      | 38   | 23.63   | 4.9   | 68      | 33   | 20.57   | 5.7   | 72       | 31    | 19.27    | 6.0   | 82       | 27    | 17.03    | 6.8   | 88      | 26   | 15.81    | 7.4  | 97       | 23    | 14.33    | 8.1   | 108      | 21   | 12.87    | 9.0   | 125     | 18   | 11.08    | 10    | 133     | 17   | 10.42    | 10   | 155     | 14   | 8.97    | 11    | 185     | 12    | 7.51     | 11   |         |      |          |      |         |       |          |       |          |       |         |       |         |       |          |      |         |      |         |      |         |       |         |       |         |      |         |       |         |      |          |       |         |      |         |       |          |      |         |      |          |      |          |      |         |       |          |       |          |      |         |       |         |       |          |      |         |      |         |       |         |      |          |       |         |      |         |      |         |      |         |      |         |      |         |      |         |       |         |      |         |      |         |      |         |      |          |      |         |      |         |      |         |      |          |       |         |      |          |      |          |      |          |      |         |      |         |      |         |      |          |      |         |      |         |      |         |      |         |      |         |      |         |      |         |      |          |      |         |      |         |      |         |      |         |      |          |      |         |      |         |      |         |      |         |      |          |      |         |      |         |      |         |      |         |      |        |      |         |      |         |      |       |      |         |      |         |      |          |      |          |      |         |      |         |      |         |      |          |      |         |      |         |      |         |      |         |      |          |      |         |      |         |      |          |      |      |      |         |      |         |      |         |      |         |      |          |      |         |      |          |      |         |      |        |      |         |      |          |      |         |      |         |      |         |      |          |      |         |      |         |      |         |      |          |      |         |      |       |      |        |      |          |      |         |      |         |      |      |      |         |      |          |      |          |      |         |      |          |      |      |      |         |      |         |      |         |      |          |      |       |      |        |      |          |      |      |      |       |      |        |      |         |      |      |      |        |      |        |      |         |      |     |      |        |      |         |      |       |      |        |      |          |      |       |      |         |      |        |      |         |     |      |      |        |      |         |     |        |      |         |     |        |      |        |     |        |      |       |      |         |      |        |     |        |      |       |     |        |      |       |     |        |     |       |     |       |      |       |      |         |     |       |     |        |     |       |     |        |     |       |     |       |     |       |     |       |     |       |     |       |     |       |     |       |     |       |     |       |     |       |     |       |     |       |     |       |     |       |     |       |     |       |     |       |     |       |     |       |     |       |     |       |     |       |     |       |     |       |     |       |     |       |     |       |     |       |     |       |     |       |     |       |     |       |    |       |     |       |    |       |     |      |    |       |     |      |    |       |     |     |    |       |     |     |    |       |    |     |    |       |    |     |    |      |    |     |    |
| 21            | 107        | 66.09    | 1.8                    | 24          | 94      | 58.32         | 2.0        | 25       | 88                     | 54.54       | 2.1     | 27       | 83    | 51.70         | 2.3  | 30      | 76   | 47.02         | 2.5   | 32      | 71   | 43.83         | 2.7  | 36       | 62    | 38.31         | 3.0   | 39      | 58   | 35.91    | 3.2   | 44      | 51   | 31.69    | 3.7   | 49      | 45   | 28.09    | 4.1  | 58      | 39   | 23.88   | 4.9   | 59      | 38   | 23.63    | 4.9  | 68      | 33   | 20.57   | 5.7   | 72      | 31   | 19.27   | 6.0   | 82       | 27    | 17.03    | 6.8   | 88       | 26    | 15.81    | 7.4   | 97      | 23   | 14.33    | 8.1  | 108      | 21    | 12.87    | 9.0   | 125      | 18   | 11.08    | 10    | 133     | 17   | 10.42    | 10    | 155     | 14   | 8.97     | 11   | 185     | 12   | 7.51    | 11    |         |       |          |      |         |      |          |      |         |       |          |       |          |       |         |       |         |       |          |      |         |      |         |      |         |       |         |       |         |      |         |       |         |      |          |       |         |      |         |       |          |      |         |      |          |      |          |      |         |       |          |       |          |      |         |       |         |       |          |      |         |      |         |       |         |      |          |       |         |      |         |      |         |      |         |      |         |      |         |      |         |       |         |      |         |      |         |      |         |      |          |      |         |      |         |      |         |      |          |       |         |      |          |      |          |      |          |      |         |      |         |      |         |      |          |      |         |      |         |      |         |      |         |      |         |      |         |      |         |      |          |      |         |      |         |      |         |      |         |      |          |      |         |      |         |      |         |      |         |      |          |      |         |      |         |      |         |      |         |      |        |      |         |      |         |      |       |      |         |      |         |      |          |      |          |      |         |      |         |      |         |      |          |      |         |      |         |      |         |      |         |      |          |      |         |      |         |      |          |      |      |      |         |      |         |      |         |      |         |      |          |      |         |      |          |      |         |      |        |      |         |      |          |      |         |      |         |      |         |      |          |      |         |      |         |      |         |      |          |      |         |      |       |      |        |      |          |      |         |      |         |      |      |      |         |      |          |      |          |      |         |      |          |      |      |      |         |      |         |      |         |      |          |      |       |      |        |      |          |      |      |      |       |      |        |      |         |      |      |      |        |      |        |      |         |      |     |      |        |      |         |      |       |      |        |      |          |      |       |      |         |      |        |      |         |     |      |      |        |      |         |     |        |      |         |     |        |      |        |     |        |      |       |      |         |      |        |     |        |      |       |     |        |      |       |     |        |     |       |     |       |      |       |      |         |     |       |     |        |     |       |     |        |     |       |     |       |     |       |     |       |     |       |     |       |     |       |     |       |     |       |     |       |     |       |     |       |     |       |     |       |     |       |     |       |     |       |     |       |     |       |     |       |     |       |     |       |     |       |     |       |     |       |     |       |     |       |     |       |     |       |     |       |     |       |     |       |     |       |    |       |     |       |    |       |     |      |    |       |     |      |    |       |     |     |    |       |     |     |    |       |    |     |    |       |    |     |    |      |    |     |    |
| 24            | 94         | 58.32    | 2.0                    | 25          | 88      | 54.54         | 2.1        | 27       | 83                     | 51.70       | 2.3     | 30       | 76    | 47.02         | 2.5  | 32      | 71   | 43.83         | 2.7   | 36      | 62   | 38.31         | 3.0  | 39       | 58    | 35.91         | 3.2   | 44      | 51   | 31.69    | 3.7   | 49      | 45   | 28.09    | 4.1   | 58      | 39   | 23.88    | 4.9  | 59      | 38   | 23.63   | 4.9   | 68      | 33   | 20.57    | 5.7  | 72      | 31   | 19.27   | 6.0   | 82      | 27   | 17.03   | 6.8   | 88       | 26    | 15.81    | 7.4   | 97       | 23    | 14.33    | 8.1   | 108     | 21   | 12.87    | 9.0  | 125      | 18    | 11.08    | 10    | 133      | 17   | 10.42    | 10    | 155     | 14   | 8.97     | 11    | 185     | 12   | 7.51     | 11   |         |      |         |       |         |       |          |      |         |      |          |      |         |       |          |       |          |       |         |       |         |       |          |      |         |      |         |      |         |       |         |       |         |      |         |       |         |      |          |       |         |      |         |       |          |      |         |      |          |      |          |      |         |       |          |       |          |      |         |       |         |       |          |      |         |      |         |       |         |      |          |       |         |      |         |      |         |      |         |      |         |      |         |      |         |       |         |      |         |      |         |      |         |      |          |      |         |      |         |      |         |      |          |       |         |      |          |      |          |      |          |      |         |      |         |      |         |      |          |      |         |      |         |      |         |      |         |      |         |      |         |      |         |      |          |      |         |      |         |      |         |      |         |      |          |      |         |      |         |      |         |      |         |      |          |      |         |      |         |      |         |      |         |      |        |      |         |      |         |      |       |      |         |      |         |      |          |      |          |      |         |      |         |      |         |      |          |      |         |      |         |      |         |      |         |      |          |      |         |      |         |      |          |      |      |      |         |      |         |      |         |      |         |      |          |      |         |      |          |      |         |      |        |      |         |      |          |      |         |      |         |      |         |      |          |      |         |      |         |      |         |      |          |      |         |      |       |      |        |      |          |      |         |      |         |      |      |      |         |      |          |      |          |      |         |      |          |      |      |      |         |      |         |      |         |      |          |      |       |      |        |      |          |      |      |      |       |      |        |      |         |      |      |      |        |      |        |      |         |      |     |      |        |      |         |      |       |      |        |      |          |      |       |      |         |      |        |      |         |     |      |      |        |      |         |     |        |      |         |     |        |      |        |     |        |      |       |      |         |      |        |     |        |      |       |     |        |      |       |     |        |     |       |     |       |      |       |      |         |     |       |     |        |     |       |     |        |     |       |     |       |     |       |     |       |     |       |     |       |     |       |     |       |     |       |     |       |     |       |     |       |     |       |     |       |     |       |     |       |     |       |     |       |     |       |     |       |     |       |     |       |     |       |     |       |     |       |     |       |     |       |     |       |     |       |     |       |     |       |     |       |     |       |    |       |     |       |    |       |     |      |    |       |     |      |    |       |     |     |    |       |     |     |    |       |    |     |    |       |    |     |    |      |    |     |    |
| 25            | 88         | 54.54    | 2.1                    | 27          | 83      | 51.70         | 2.3        | 30       | 76                     | 47.02       | 2.5     | 32       | 71    | 43.83         | 2.7  | 36      | 62   | 38.31         | 3.0   | 39      | 58   | 35.91         | 3.2  | 44       | 51    | 31.69         | 3.7   | 49      | 45   | 28.09    | 4.1   | 58      | 39   | 23.88    | 4.9   | 59      | 38   | 23.63    | 4.9  | 68      | 33   | 20.57   | 5.7   | 72      | 31   | 19.27    | 6.0  | 82      | 27   | 17.03   | 6.8   | 88      | 26   | 15.81   | 7.4   | 97       | 23    | 14.33    | 8.1   | 108      | 21    | 12.87    | 9.0   | 125     | 18   | 11.08    | 10   | 133      | 17    | 10.42    | 10    | 155      | 14   | 8.97     | 11    | 185     | 12   | 7.51     | 11    |         |      |          |      |         |      |         |       |         |       |          |      |         |      |          |      |         |       |          |       |          |       |         |       |         |       |          |      |         |      |         |      |         |       |         |       |         |      |         |       |         |      |          |       |         |      |         |       |          |      |         |      |          |      |          |      |         |       |          |       |          |      |         |       |         |       |          |      |         |      |         |       |         |      |          |       |         |      |         |      |         |      |         |      |         |      |         |      |         |       |         |      |         |      |         |      |         |      |          |      |         |      |         |      |         |      |          |       |         |      |          |      |          |      |          |      |         |      |         |      |         |      |          |      |         |      |         |      |         |      |         |      |         |      |         |      |         |      |          |      |         |      |         |      |         |      |         |      |          |      |         |      |         |      |         |      |         |      |          |      |         |      |         |      |         |      |         |      |        |      |         |      |         |      |       |      |         |      |         |      |          |      |          |      |         |      |         |      |         |      |          |      |         |      |         |      |         |      |         |      |          |      |         |      |         |      |          |      |      |      |         |      |         |      |         |      |         |      |          |      |         |      |          |      |         |      |        |      |         |      |          |      |         |      |         |      |         |      |          |      |         |      |         |      |         |      |          |      |         |      |       |      |        |      |          |      |         |      |         |      |      |      |         |      |          |      |          |      |         |      |          |      |      |      |         |      |         |      |         |      |          |      |       |      |        |      |          |      |      |      |       |      |        |      |         |      |      |      |        |      |        |      |         |      |     |      |        |      |         |      |       |      |        |      |          |      |       |      |         |      |        |      |         |     |      |      |        |      |         |     |        |      |         |     |        |      |        |     |        |      |       |      |         |      |        |     |        |      |       |     |        |      |       |     |        |     |       |     |       |      |       |      |         |     |       |     |        |     |       |     |        |     |       |     |       |     |       |     |       |     |       |     |       |     |       |     |       |     |       |     |       |     |       |     |       |     |       |     |       |     |       |     |       |     |       |     |       |     |       |     |       |     |       |     |       |     |       |     |       |     |       |     |       |     |       |     |       |     |       |     |       |     |       |     |       |     |       |    |       |     |       |    |       |     |      |    |       |     |      |    |       |     |     |    |       |     |     |    |       |    |     |    |       |    |     |    |      |    |     |    |
| 27            | 83         | 51.70    | 2.3                    | 30          | 76      | 47.02         | 2.5        | 32       | 71                     | 43.83       | 2.7     | 36       | 62    | 38.31         | 3.0  | 39      | 58   | 35.91         | 3.2   | 44      | 51   | 31.69         | 3.7  | 49       | 45    | 28.09         | 4.1   | 58      | 39   | 23.88    | 4.9   | 59      | 38   | 23.63    | 4.9   | 68      | 33   | 20.57    | 5.7  | 72      | 31   | 19.27   | 6.0   | 82      | 27   | 17.03    | 6.8  | 88      | 26   | 15.81   | 7.4   | 97      | 23   | 14.33   | 8.1   | 108      | 21    | 12.87    | 9.0   | 125      | 18    | 11.08    | 10    | 133     | 17   | 10.42    | 10   | 155      | 14    | 8.97     | 11    | 185      | 12   | 7.51     | 11    |         |      |          |       |         |      |          |      |         |      |         |       |         |       |          |      |         |      |          |      |         |       |          |       |          |       |         |       |         |       |          |      |         |      |         |      |         |       |         |       |         |      |         |       |         |      |          |       |         |      |         |       |          |      |         |      |          |      |          |      |         |       |          |       |          |      |         |       |         |       |          |      |         |      |         |       |         |      |          |       |         |      |         |      |         |      |         |      |         |      |         |      |         |       |         |      |         |      |         |      |         |      |          |      |         |      |         |      |         |      |          |       |         |      |          |      |          |      |          |      |         |      |         |      |         |      |          |      |         |      |         |      |         |      |         |      |         |      |         |      |         |      |          |      |         |      |         |      |         |      |         |      |          |      |         |      |         |      |         |      |         |      |          |      |         |      |         |      |         |      |         |      |        |      |         |      |         |      |       |      |         |      |         |      |          |      |          |      |         |      |         |      |         |      |          |      |         |      |         |      |         |      |         |      |          |      |         |      |         |      |          |      |      |      |         |      |         |      |         |      |         |      |          |      |         |      |          |      |         |      |        |      |         |      |          |      |         |      |         |      |         |      |          |      |         |      |         |      |         |      |          |      |         |      |       |      |        |      |          |      |         |      |         |      |      |      |         |      |          |      |          |      |         |      |          |      |      |      |         |      |         |      |         |      |          |      |       |      |        |      |          |      |      |      |       |      |        |      |         |      |      |      |        |      |        |      |         |      |     |      |        |      |         |      |       |      |        |      |          |      |       |      |         |      |        |      |         |     |      |      |        |      |         |     |        |      |         |     |        |      |        |     |        |      |       |      |         |      |        |     |        |      |       |     |        |      |       |     |        |     |       |     |       |      |       |      |         |     |       |     |        |     |       |     |        |     |       |     |       |     |       |     |       |     |       |     |       |     |       |     |       |     |       |     |       |     |       |     |       |     |       |     |       |     |       |     |       |     |       |     |       |     |       |     |       |     |       |     |       |     |       |     |       |     |       |     |       |     |       |     |       |     |       |     |       |     |       |     |       |     |       |    |       |     |       |    |       |     |      |    |       |     |      |    |       |     |     |    |       |     |     |    |       |    |     |    |       |    |     |    |      |    |     |    |
| 30            | 76         | 47.02    | 2.5                    | 32          | 71      | 43.83         | 2.7        | 36       | 62                     | 38.31       | 3.0     | 39       | 58    | 35.91         | 3.2  | 44      | 51   | 31.69         | 3.7   | 49      | 45   | 28.09         | 4.1  | 58       | 39    | 23.88         | 4.9   | 59      | 38   | 23.63    | 4.9   | 68      | 33   | 20.57    | 5.7   | 72      | 31   | 19.27    | 6.0  | 82      | 27   | 17.03   | 6.8   | 88      | 26   | 15.81    | 7.4  | 97      | 23   | 14.33   | 8.1   | 108     | 21   | 12.87   | 9.0   | 125      | 18    | 11.08    | 10    | 133      | 17    | 10.42    | 10    | 155     | 14   | 8.97     | 11   | 185      | 12    | 7.51     | 11    |          |      |          |       |         |      |          |       |         |      |          |      |         |      |         |       |         |       |          |      |         |      |          |      |         |       |          |       |          |       |         |       |         |       |          |      |         |      |         |      |         |       |         |       |         |      |         |       |         |      |          |       |         |      |         |       |          |      |         |      |          |      |          |      |         |       |          |       |          |      |         |       |         |       |          |      |         |      |         |       |         |      |          |       |         |      |         |      |         |      |         |      |         |      |         |      |         |       |         |      |         |      |         |      |         |      |          |      |         |      |         |      |         |      |          |       |         |      |          |      |          |      |          |      |         |      |         |      |         |      |          |      |         |      |         |      |         |      |         |      |         |      |         |      |         |      |          |      |         |      |         |      |         |      |         |      |          |      |         |      |         |      |         |      |         |      |          |      |         |      |         |      |         |      |         |      |        |      |         |      |         |      |       |      |         |      |         |      |          |      |          |      |         |      |         |      |         |      |          |      |         |      |         |      |         |      |         |      |          |      |         |      |         |      |          |      |      |      |         |      |         |      |         |      |         |      |          |      |         |      |          |      |         |      |        |      |         |      |          |      |         |      |         |      |         |      |          |      |         |      |         |      |         |      |          |      |         |      |       |      |        |      |          |      |         |      |         |      |      |      |         |      |          |      |          |      |         |      |          |      |      |      |         |      |         |      |         |      |          |      |       |      |        |      |          |      |      |      |       |      |        |      |         |      |      |      |        |      |        |      |         |      |     |      |        |      |         |      |       |      |        |      |          |      |       |      |         |      |        |      |         |     |      |      |        |      |         |     |        |      |         |     |        |      |        |     |        |      |       |      |         |      |        |     |        |      |       |     |        |      |       |     |        |     |       |     |       |      |       |      |         |     |       |     |        |     |       |     |        |     |       |     |       |     |       |     |       |     |       |     |       |     |       |     |       |     |       |     |       |     |       |     |       |     |       |     |       |     |       |     |       |     |       |     |       |     |       |     |       |     |       |     |       |     |       |     |       |     |       |     |       |     |       |     |       |     |       |     |       |     |       |     |       |     |       |    |       |     |       |    |       |     |      |    |       |     |      |    |       |     |     |    |       |     |     |    |       |    |     |    |       |    |     |    |      |    |     |    |
| 32            | 71         | 43.83    | 2.7                    | 36          | 62      | 38.31         | 3.0        | 39       | 58                     | 35.91       | 3.2     | 44       | 51    | 31.69         | 3.7  | 49      | 45   | 28.09         | 4.1   | 58      | 39   | 23.88         | 4.9  | 59       | 38    | 23.63         | 4.9   | 68      | 33   | 20.57    | 5.7   | 72      | 31   | 19.27    | 6.0   | 82      | 27   | 17.03    | 6.8  | 88      | 26   | 15.81   | 7.4   | 97      | 23   | 14.33    | 8.1  | 108     | 21   | 12.87   | 9.0   | 125     | 18   | 11.08   | 10    | 133      | 17    | 10.42    | 10    | 155      | 14    | 8.97     | 11    | 185     | 12   | 7.51     | 11   |          |       |          |       |          |      |          |       |         |      |          |       |         |      |          |      |         |      |         |       |         |       |          |      |         |      |          |      |         |       |          |       |          |       |         |       |         |       |          |      |         |      |         |      |         |       |         |       |         |      |         |       |         |      |          |       |         |      |         |       |          |      |         |      |          |      |          |      |         |       |          |       |          |      |         |       |         |       |          |      |         |      |         |       |         |      |          |       |         |      |         |      |         |      |         |      |         |      |         |      |         |       |         |      |         |      |         |      |         |      |          |      |         |      |         |      |         |      |          |       |         |      |          |      |          |      |          |      |         |      |         |      |         |      |          |      |         |      |         |      |         |      |         |      |         |      |         |      |         |      |          |      |         |      |         |      |         |      |         |      |          |      |         |      |         |      |         |      |         |      |          |      |         |      |         |      |         |      |         |      |        |      |         |      |         |      |       |      |         |      |         |      |          |      |          |      |         |      |         |      |         |      |          |      |         |      |         |      |         |      |         |      |          |      |         |      |         |      |          |      |      |      |         |      |         |      |         |      |         |      |          |      |         |      |          |      |         |      |        |      |         |      |          |      |         |      |         |      |         |      |          |      |         |      |         |      |         |      |          |      |         |      |       |      |        |      |          |      |         |      |         |      |      |      |         |      |          |      |          |      |         |      |          |      |      |      |         |      |         |      |         |      |          |      |       |      |        |      |          |      |      |      |       |      |        |      |         |      |      |      |        |      |        |      |         |      |     |      |        |      |         |      |       |      |        |      |          |      |       |      |         |      |        |      |         |     |      |      |        |      |         |     |        |      |         |     |        |      |        |     |        |      |       |      |         |      |        |     |        |      |       |     |        |      |       |     |        |     |       |     |       |      |       |      |         |     |       |     |        |     |       |     |        |     |       |     |       |     |       |     |       |     |       |     |       |     |       |     |       |     |       |     |       |     |       |     |       |     |       |     |       |     |       |     |       |     |       |     |       |     |       |     |       |     |       |     |       |     |       |     |       |     |       |     |       |     |       |     |       |     |       |     |       |     |       |     |       |     |       |    |       |     |       |    |       |     |      |    |       |     |      |    |       |     |     |    |       |     |     |    |       |    |     |    |       |    |     |    |      |    |     |    |
| 36            | 62         | 38.31    | 3.0                    | 39          | 58      | 35.91         | 3.2        | 44       | 51                     | 31.69       | 3.7     | 49       | 45    | 28.09         | 4.1  | 58      | 39   | 23.88         | 4.9   | 59      | 38   | 23.63         | 4.9  | 68       | 33    | 20.57         | 5.7   | 72      | 31   | 19.27    | 6.0   | 82      | 27   | 17.03    | 6.8   | 88      | 26   | 15.81    | 7.4  | 97      | 23   | 14.33   | 8.1   | 108     | 21   | 12.87    | 9.0  | 125     | 18   | 11.08   | 10    | 133     | 17   | 10.42   | 10    | 155      | 14    | 8.97     | 11    | 185      | 12    | 7.51     | 11    |         |      |          |      |          |       |          |       |          |      |          |       |         |      |          |       |         |      |          |      |         |      |         |       |         |       |          |      |         |      |          |      |         |       |          |       |          |       |         |       |         |       |          |      |         |      |         |      |         |       |         |       |         |      |         |       |         |      |          |       |         |      |         |       |          |      |         |      |          |      |          |      |         |       |          |       |          |      |         |       |         |       |          |      |         |      |         |       |         |      |          |       |         |      |         |      |         |      |         |      |         |      |         |      |         |       |         |      |         |      |         |      |         |      |          |      |         |      |         |      |         |      |          |       |         |      |          |      |          |      |          |      |         |      |         |      |         |      |          |      |         |      |         |      |         |      |         |      |         |      |         |      |         |      |          |      |         |      |         |      |         |      |         |      |          |      |         |      |         |      |         |      |         |      |          |      |         |      |         |      |         |      |         |      |        |      |         |      |         |      |       |      |         |      |         |      |          |      |          |      |         |      |         |      |         |      |          |      |         |      |         |      |         |      |         |      |          |      |         |      |         |      |          |      |      |      |         |      |         |      |         |      |         |      |          |      |         |      |          |      |         |      |        |      |         |      |          |      |         |      |         |      |         |      |          |      |         |      |         |      |         |      |          |      |         |      |       |      |        |      |          |      |         |      |         |      |      |      |         |      |          |      |          |      |         |      |          |      |      |      |         |      |         |      |         |      |          |      |       |      |        |      |          |      |      |      |       |      |        |      |         |      |      |      |        |      |        |      |         |      |     |      |        |      |         |      |       |      |        |      |          |      |       |      |         |      |        |      |         |     |      |      |        |      |         |     |        |      |         |     |        |      |        |     |        |      |       |      |         |      |        |     |        |      |       |     |        |      |       |     |        |     |       |     |       |      |       |      |         |     |       |     |        |     |       |     |        |     |       |     |       |     |       |     |       |     |       |     |       |     |       |     |       |     |       |     |       |     |       |     |       |     |       |     |       |     |       |     |       |     |       |     |       |     |       |     |       |     |       |     |       |     |       |     |       |     |       |     |       |     |       |     |       |     |       |     |       |     |       |     |       |     |       |    |       |     |       |    |       |     |      |    |       |     |      |    |       |     |     |    |       |     |     |    |       |    |     |    |       |    |     |    |      |    |     |    |
| 39            | 58         | 35.91    | 3.2                    | 44          | 51      | 31.69         | 3.7        | 49       | 45                     | 28.09       | 4.1     | 58       | 39    | 23.88         | 4.9  | 59      | 38   | 23.63         | 4.9   | 68      | 33   | 20.57         | 5.7  | 72       | 31    | 19.27         | 6.0   | 82      | 27   | 17.03    | 6.8   | 88      | 26   | 15.81    | 7.4   | 97      | 23   | 14.33    | 8.1  | 108     | 21   | 12.87   | 9.0   | 125     | 18   | 11.08    | 10   | 133     | 17   | 10.42   | 10    | 155     | 14   | 8.97    | 11    | 185      | 12    | 7.51     | 11    |          |       |          |       |         |      |          |      |          |       |          |       |          |      |          |       |         |      |          |       |         |      |          |      |         |      |         |       |         |       |          |      |         |      |          |      |         |       |          |       |          |       |         |       |         |       |          |      |         |      |         |      |         |       |         |       |         |      |         |       |         |      |          |       |         |      |         |       |          |      |         |      |          |      |          |      |         |       |          |       |          |      |         |       |         |       |          |      |         |      |         |       |         |      |          |       |         |      |         |      |         |      |         |      |         |      |         |      |         |       |         |      |         |      |         |      |         |      |          |      |         |      |         |      |         |      |          |       |         |      |          |      |          |      |          |      |         |      |         |      |         |      |          |      |         |      |         |      |         |      |         |      |         |      |         |      |         |      |          |      |         |      |         |      |         |      |         |      |          |      |         |      |         |      |         |      |         |      |          |      |         |      |         |      |         |      |         |      |        |      |         |      |         |      |       |      |         |      |         |      |          |      |          |      |         |      |         |      |         |      |          |      |         |      |         |      |         |      |         |      |          |      |         |      |         |      |          |      |      |      |         |      |         |      |         |      |         |      |          |      |         |      |          |      |         |      |        |      |         |      |          |      |         |      |         |      |         |      |          |      |         |      |         |      |         |      |          |      |         |      |       |      |        |      |          |      |         |      |         |      |      |      |         |      |          |      |          |      |         |      |          |      |      |      |         |      |         |      |         |      |          |      |       |      |        |      |          |      |      |      |       |      |        |      |         |      |      |      |        |      |        |      |         |      |     |      |        |      |         |      |       |      |        |      |          |      |       |      |         |      |        |      |         |     |      |      |        |      |         |     |        |      |         |     |        |      |        |     |        |      |       |      |         |      |        |     |        |      |       |     |        |      |       |     |        |     |       |     |       |      |       |      |         |     |       |     |        |     |       |     |        |     |       |     |       |     |       |     |       |     |       |     |       |     |       |     |       |     |       |     |       |     |       |     |       |     |       |     |       |     |       |     |       |     |       |     |       |     |       |     |       |     |       |     |       |     |       |     |       |     |       |     |       |     |       |     |       |     |       |     |       |     |       |     |       |     |       |    |       |     |       |    |       |     |      |    |       |     |      |    |       |     |     |    |       |     |     |    |       |    |     |    |       |    |     |    |      |    |     |    |
| 44            | 51         | 31.69    | 3.7                    | 49          | 45      | 28.09         | 4.1        | 58       | 39                     | 23.88       | 4.9     | 59       | 38    | 23.63         | 4.9  | 68      | 33   | 20.57         | 5.7   | 72      | 31   | 19.27         | 6.0  | 82       | 27    | 17.03         | 6.8   | 88      | 26   | 15.81    | 7.4   | 97      | 23   | 14.33    | 8.1   | 108     | 21   | 12.87    | 9.0  | 125     | 18   | 11.08   | 10    | 133     | 17   | 10.42    | 10   | 155     | 14   | 8.97    | 11    | 185     | 12   | 7.51    | 11    |          |       |          |       |          |       |          |       |         |      |          |      |          |       |          |       |          |      |          |       |         |      |          |       |         |      |          |      |         |      |         |       |         |       |          |      |         |      |          |      |         |       |          |       |          |       |         |       |         |       |          |      |         |      |         |      |         |       |         |       |         |      |         |       |         |      |          |       |         |      |         |       |          |      |         |      |          |      |          |      |         |       |          |       |          |      |         |       |         |       |          |      |         |      |         |       |         |      |          |       |         |      |         |      |         |      |         |      |         |      |         |      |         |       |         |      |         |      |         |      |         |      |          |      |         |      |         |      |         |      |          |       |         |      |          |      |          |      |          |      |         |      |         |      |         |      |          |      |         |      |         |      |         |      |         |      |         |      |         |      |         |      |          |      |         |      |         |      |         |      |         |      |          |      |         |      |         |      |         |      |         |      |          |      |         |      |         |      |         |      |         |      |        |      |         |      |         |      |       |      |         |      |         |      |          |      |          |      |         |      |         |      |         |      |          |      |         |      |         |      |         |      |         |      |          |      |         |      |         |      |          |      |      |      |         |      |         |      |         |      |         |      |          |      |         |      |          |      |         |      |        |      |         |      |          |      |         |      |         |      |         |      |          |      |         |      |         |      |         |      |          |      |         |      |       |      |        |      |          |      |         |      |         |      |      |      |         |      |          |      |          |      |         |      |          |      |      |      |         |      |         |      |         |      |          |      |       |      |        |      |          |      |      |      |       |      |        |      |         |      |      |      |        |      |        |      |         |      |     |      |        |      |         |      |       |      |        |      |          |      |       |      |         |      |        |      |         |     |      |      |        |      |         |     |        |      |         |     |        |      |        |     |        |      |       |      |         |      |        |     |        |      |       |     |        |      |       |     |        |     |       |     |       |      |       |      |         |     |       |     |        |     |       |     |        |     |       |     |       |     |       |     |       |     |       |     |       |     |       |     |       |     |       |     |       |     |       |     |       |     |       |     |       |     |       |     |       |     |       |     |       |     |       |     |       |     |       |     |       |     |       |     |       |     |       |     |       |     |       |     |       |     |       |     |       |     |       |     |       |     |       |    |       |     |       |    |       |     |      |    |       |     |      |    |       |     |     |    |       |     |     |    |       |    |     |    |       |    |     |    |      |    |     |    |
| 49            | 45         | 28.09    | 4.1                    | 58          | 39      | 23.88         | 4.9        | 59       | 38                     | 23.63       | 4.9     | 68       | 33    | 20.57         | 5.7  | 72      | 31   | 19.27         | 6.0   | 82      | 27   | 17.03         | 6.8  | 88       | 26    | 15.81         | 7.4   | 97      | 23   | 14.33    | 8.1   | 108     | 21   | 12.87    | 9.0   | 125     | 18   | 11.08    | 10   | 133     | 17   | 10.42   | 10    | 155     | 14   | 8.97     | 11   | 185     | 12   | 7.51    | 11    |         |      |         |       |          |       |          |       |          |       |          |       |         |      |          |      |          |       |          |       |          |      |          |       |         |      |          |       |         |      |          |      |         |      |         |       |         |       |          |      |         |      |          |      |         |       |          |       |          |       |         |       |         |       |          |      |         |      |         |      |         |       |         |       |         |      |         |       |         |      |          |       |         |      |         |       |          |      |         |      |          |      |          |      |         |       |          |       |          |      |         |       |         |       |          |      |         |      |         |       |         |      |          |       |         |      |         |      |         |      |         |      |         |      |         |      |         |       |         |      |         |      |         |      |         |      |          |      |         |      |         |      |         |      |          |       |         |      |          |      |          |      |          |      |         |      |         |      |         |      |          |      |         |      |         |      |         |      |         |      |         |      |         |      |         |      |          |      |         |      |         |      |         |      |         |      |          |      |         |      |         |      |         |      |         |      |          |      |         |      |         |      |         |      |         |      |        |      |         |      |         |      |       |      |         |      |         |      |          |      |          |      |         |      |         |      |         |      |          |      |         |      |         |      |         |      |         |      |          |      |         |      |         |      |          |      |      |      |         |      |         |      |         |      |         |      |          |      |         |      |          |      |         |      |        |      |         |      |          |      |         |      |         |      |         |      |          |      |         |      |         |      |         |      |          |      |         |      |       |      |        |      |          |      |         |      |         |      |      |      |         |      |          |      |          |      |         |      |          |      |      |      |         |      |         |      |         |      |          |      |       |      |        |      |          |      |      |      |       |      |        |      |         |      |      |      |        |      |        |      |         |      |     |      |        |      |         |      |       |      |        |      |          |      |       |      |         |      |        |      |         |     |      |      |        |      |         |     |        |      |         |     |        |      |        |     |        |      |       |      |         |      |        |     |        |      |       |     |        |      |       |     |        |     |       |     |       |      |       |      |         |     |       |     |        |     |       |     |        |     |       |     |       |     |       |     |       |     |       |     |       |     |       |     |       |     |       |     |       |     |       |     |       |     |       |     |       |     |       |     |       |     |       |     |       |     |       |     |       |     |       |     |       |     |       |     |       |     |       |     |       |     |       |     |       |     |       |     |       |     |       |     |       |     |       |    |       |     |       |    |       |     |      |    |       |     |      |    |       |     |     |    |       |     |     |    |       |    |     |    |       |    |     |    |      |    |     |    |
| 58            | 39         | 23.88    | 4.9                    | 59          | 38      | 23.63         | 4.9        | 68       | 33                     | 20.57       | 5.7     | 72       | 31    | 19.27         | 6.0  | 82      | 27   | 17.03         | 6.8   | 88      | 26   | 15.81         | 7.4  | 97       | 23    | 14.33         | 8.1   | 108     | 21   | 12.87    | 9.0   | 125     | 18   | 11.08    | 10    | 133     | 17   | 10.42    | 10   | 155     | 14   | 8.97    | 11    | 185     | 12   | 7.51     | 11   |         |      |         |       |         |      |         |       |          |       |          |       |          |       |          |       |         |      |          |      |          |       |          |       |          |      |          |       |         |      |          |       |         |      |          |      |         |      |         |       |         |       |          |      |         |      |          |      |         |       |          |       |          |       |         |       |         |       |          |      |         |      |         |      |         |       |         |       |         |      |         |       |         |      |          |       |         |      |         |       |          |      |         |      |          |      |          |      |         |       |          |       |          |      |         |       |         |       |          |      |         |      |         |       |         |      |          |       |         |      |         |      |         |      |         |      |         |      |         |      |         |       |         |      |         |      |         |      |         |      |          |      |         |      |         |      |         |      |          |       |         |      |          |      |          |      |          |      |         |      |         |      |         |      |          |      |         |      |         |      |         |      |         |      |         |      |         |      |         |      |          |      |         |      |         |      |         |      |         |      |          |      |         |      |         |      |         |      |         |      |          |      |         |      |         |      |         |      |         |      |        |      |         |      |         |      |       |      |         |      |         |      |          |      |          |      |         |      |         |      |         |      |          |      |         |      |         |      |         |      |         |      |          |      |         |      |         |      |          |      |      |      |         |      |         |      |         |      |         |      |          |      |         |      |          |      |         |      |        |      |         |      |          |      |         |      |         |      |         |      |          |      |         |      |         |      |         |      |          |      |         |      |       |      |        |      |          |      |         |      |         |      |      |      |         |      |          |      |          |      |         |      |          |      |      |      |         |      |         |      |         |      |          |      |       |      |        |      |          |      |      |      |       |      |        |      |         |      |      |      |        |      |        |      |         |      |     |      |        |      |         |      |       |      |        |      |          |      |       |      |         |      |        |      |         |     |      |      |        |      |         |     |        |      |         |     |        |      |        |     |        |      |       |      |         |      |        |     |        |      |       |     |        |      |       |     |        |     |       |     |       |      |       |      |         |     |       |     |        |     |       |     |        |     |       |     |       |     |       |     |       |     |       |     |       |     |       |     |       |     |       |     |       |     |       |     |       |     |       |     |       |     |       |     |       |     |       |     |       |     |       |     |       |     |       |     |       |     |       |     |       |     |       |     |       |     |       |     |       |     |       |     |       |     |       |     |       |     |       |    |       |     |       |    |       |     |      |    |       |     |      |    |       |     |     |    |       |     |     |    |       |    |     |    |       |    |     |    |      |    |     |    |
| 59            | 38         | 23.63    | 4.9                    | 68          | 33      | 20.57         | 5.7        | 72       | 31                     | 19.27       | 6.0     | 82       | 27    | 17.03         | 6.8  | 88      | 26   | 15.81         | 7.4   | 97      | 23   | 14.33         | 8.1  | 108      | 21    | 12.87         | 9.0   | 125     | 18   | 11.08    | 10    | 133     | 17   | 10.42    | 10    | 155     | 14   | 8.97     | 11   | 185     | 12   | 7.51    | 11    |         |      |          |      |         |      |         |       |         |      |         |       |          |       |          |       |          |       |          |       |         |      |          |      |          |       |          |       |          |      |          |       |         |      |          |       |         |      |          |      |         |      |         |       |         |       |          |      |         |      |          |      |         |       |          |       |          |       |         |       |         |       |          |      |         |      |         |      |         |       |         |       |         |      |         |       |         |      |          |       |         |      |         |       |          |      |         |      |          |      |          |      |         |       |          |       |          |      |         |       |         |       |          |      |         |      |         |       |         |      |          |       |         |      |         |      |         |      |         |      |         |      |         |      |         |       |         |      |         |      |         |      |         |      |          |      |         |      |         |      |         |      |          |       |         |      |          |      |          |      |          |      |         |      |         |      |         |      |          |      |         |      |         |      |         |      |         |      |         |      |         |      |         |      |          |      |         |      |         |      |         |      |         |      |          |      |         |      |         |      |         |      |         |      |          |      |         |      |         |      |         |      |         |      |        |      |         |      |         |      |       |      |         |      |         |      |          |      |          |      |         |      |         |      |         |      |          |      |         |      |         |      |         |      |         |      |          |      |         |      |         |      |          |      |      |      |         |      |         |      |         |      |         |      |          |      |         |      |          |      |         |      |        |      |         |      |          |      |         |      |         |      |         |      |          |      |         |      |         |      |         |      |          |      |         |      |       |      |        |      |          |      |         |      |         |      |      |      |         |      |          |      |          |      |         |      |          |      |      |      |         |      |         |      |         |      |          |      |       |      |        |      |          |      |      |      |       |      |        |      |         |      |      |      |        |      |        |      |         |      |     |      |        |      |         |      |       |      |        |      |          |      |       |      |         |      |        |      |         |     |      |      |        |      |         |     |        |      |         |     |        |      |        |     |        |      |       |      |         |      |        |     |        |      |       |     |        |      |       |     |        |     |       |     |       |      |       |      |         |     |       |     |        |     |       |     |        |     |       |     |       |     |       |     |       |     |       |     |       |     |       |     |       |     |       |     |       |     |       |     |       |     |       |     |       |     |       |     |       |     |       |     |       |     |       |     |       |     |       |     |       |     |       |     |       |     |       |     |       |     |       |     |       |     |       |     |       |     |       |     |       |     |       |    |       |     |       |    |       |     |      |    |       |     |      |    |       |     |     |    |       |     |     |    |       |    |     |    |       |    |     |    |      |    |     |    |
| 68            | 33         | 20.57    | 5.7                    | 72          | 31      | 19.27         | 6.0        | 82       | 27                     | 17.03       | 6.8     | 88       | 26    | 15.81         | 7.4  | 97      | 23   | 14.33         | 8.1   | 108     | 21   | 12.87         | 9.0  | 125      | 18    | 11.08         | 10    | 133     | 17   | 10.42    | 10    | 155     | 14   | 8.97     | 11    | 185     | 12   | 7.51     | 11   |         |      |         |       |         |      |          |      |         |      |         |       |         |      |         |       |          |       |          |       |          |       |          |       |         |      |          |      |          |       |          |       |          |      |          |       |         |      |          |       |         |      |          |      |         |      |         |       |         |       |          |      |         |      |          |      |         |       |          |       |          |       |         |       |         |       |          |      |         |      |         |      |         |       |         |       |         |      |         |       |         |      |          |       |         |      |         |       |          |      |         |      |          |      |          |      |         |       |          |       |          |      |         |       |         |       |          |      |         |      |         |       |         |      |          |       |         |      |         |      |         |      |         |      |         |      |         |      |         |       |         |      |         |      |         |      |         |      |          |      |         |      |         |      |         |      |          |       |         |      |          |      |          |      |          |      |         |      |         |      |         |      |          |      |         |      |         |      |         |      |         |      |         |      |         |      |         |      |          |      |         |      |         |      |         |      |         |      |          |      |         |      |         |      |         |      |         |      |          |      |         |      |         |      |         |      |         |      |        |      |         |      |         |      |       |      |         |      |         |      |          |      |          |      |         |      |         |      |         |      |          |      |         |      |         |      |         |      |         |      |          |      |         |      |         |      |          |      |      |      |         |      |         |      |         |      |         |      |          |      |         |      |          |      |         |      |        |      |         |      |          |      |         |      |         |      |         |      |          |      |         |      |         |      |         |      |          |      |         |      |       |      |        |      |          |      |         |      |         |      |      |      |         |      |          |      |          |      |         |      |          |      |      |      |         |      |         |      |         |      |          |      |       |      |        |      |          |      |      |      |       |      |        |      |         |      |      |      |        |      |        |      |         |      |     |      |        |      |         |      |       |      |        |      |          |      |       |      |         |      |        |      |         |     |      |      |        |      |         |     |        |      |         |     |        |      |        |     |        |      |       |      |         |      |        |     |        |      |       |     |        |      |       |     |        |     |       |     |       |      |       |      |         |     |       |     |        |     |       |     |        |     |       |     |       |     |       |     |       |     |       |     |       |     |       |     |       |     |       |     |       |     |       |     |       |     |       |     |       |     |       |     |       |     |       |     |       |     |       |     |       |     |       |     |       |     |       |     |       |     |       |     |       |     |       |     |       |     |       |     |       |     |       |     |       |     |       |    |       |     |       |    |       |     |      |    |       |     |      |    |       |     |     |    |       |     |     |    |       |    |     |    |       |    |     |    |      |    |     |    |
| 72            | 31         | 19.27    | 6.0                    | 82          | 27      | 17.03         | 6.8        | 88       | 26                     | 15.81       | 7.4     | 97       | 23    | 14.33         | 8.1  | 108     | 21   | 12.87         | 9.0   | 125     | 18   | 11.08         | 10   | 133      | 17    | 10.42         | 10    | 155     | 14   | 8.97     | 11    | 185     | 12   | 7.51     | 11    |         |      |          |      |         |      |         |       |         |      |          |      |         |      |         |       |         |      |         |       |          |       |          |       |          |       |          |       |         |      |          |      |          |       |          |       |          |      |          |       |         |      |          |       |         |      |          |      |         |      |         |       |         |       |          |      |         |      |          |      |         |       |          |       |          |       |         |       |         |       |          |      |         |      |         |      |         |       |         |       |         |      |         |       |         |      |          |       |         |      |         |       |          |      |         |      |          |      |          |      |         |       |          |       |          |      |         |       |         |       |          |      |         |      |         |       |         |      |          |       |         |      |         |      |         |      |         |      |         |      |         |      |         |       |         |      |         |      |         |      |         |      |          |      |         |      |         |      |         |      |          |       |         |      |          |      |          |      |          |      |         |      |         |      |         |      |          |      |         |      |         |      |         |      |         |      |         |      |         |      |         |      |          |      |         |      |         |      |         |      |         |      |          |      |         |      |         |      |         |      |         |      |          |      |         |      |         |      |         |      |         |      |        |      |         |      |         |      |       |      |         |      |         |      |          |      |          |      |         |      |         |      |         |      |          |      |         |      |         |      |         |      |         |      |          |      |         |      |         |      |          |      |      |      |         |      |         |      |         |      |         |      |          |      |         |      |          |      |         |      |        |      |         |      |          |      |         |      |         |      |         |      |          |      |         |      |         |      |         |      |          |      |         |      |       |      |        |      |          |      |         |      |         |      |      |      |         |      |          |      |          |      |         |      |          |      |      |      |         |      |         |      |         |      |          |      |       |      |        |      |          |      |      |      |       |      |        |      |         |      |      |      |        |      |        |      |         |      |     |      |        |      |         |      |       |      |        |      |          |      |       |      |         |      |        |      |         |     |      |      |        |      |         |     |        |      |         |     |        |      |        |     |        |      |       |      |         |      |        |     |        |      |       |     |        |      |       |     |        |     |       |     |       |      |       |      |         |     |       |     |        |     |       |     |        |     |       |     |       |     |       |     |       |     |       |     |       |     |       |     |       |     |       |     |       |     |       |     |       |     |       |     |       |     |       |     |       |     |       |     |       |     |       |     |       |     |       |     |       |     |       |     |       |     |       |     |       |     |       |     |       |     |       |     |       |     |       |     |       |     |       |    |       |     |       |    |       |     |      |    |       |     |      |    |       |     |     |    |       |     |     |    |       |    |     |    |       |    |     |    |      |    |     |    |
| 82            | 27         | 17.03    | 6.8                    | 88          | 26      | 15.81         | 7.4        | 97       | 23                     | 14.33       | 8.1     | 108      | 21    | 12.87         | 9.0  | 125     | 18   | 11.08         | 10    | 133     | 17   | 10.42         | 10   | 155      | 14    | 8.97          | 11    | 185     | 12   | 7.51     | 11    |         |      |          |       |         |      |          |      |         |      |         |       |         |      |          |      |         |      |         |       |         |      |         |       |          |       |          |       |          |       |          |       |         |      |          |      |          |       |          |       |          |      |          |       |         |      |          |       |         |      |          |      |         |      |         |       |         |       |          |      |         |      |          |      |         |       |          |       |          |       |         |       |         |       |          |      |         |      |         |      |         |       |         |       |         |      |         |       |         |      |          |       |         |      |         |       |          |      |         |      |          |      |          |      |         |       |          |       |          |      |         |       |         |       |          |      |         |      |         |       |         |      |          |       |         |      |         |      |         |      |         |      |         |      |         |      |         |       |         |      |         |      |         |      |         |      |          |      |         |      |         |      |         |      |          |       |         |      |          |      |          |      |          |      |         |      |         |      |         |      |          |      |         |      |         |      |         |      |         |      |         |      |         |      |         |      |          |      |         |      |         |      |         |      |         |      |          |      |         |      |         |      |         |      |         |      |          |      |         |      |         |      |         |      |         |      |        |      |         |      |         |      |       |      |         |      |         |      |          |      |          |      |         |      |         |      |         |      |          |      |         |      |         |      |         |      |         |      |          |      |         |      |         |      |          |      |      |      |         |      |         |      |         |      |         |      |          |      |         |      |          |      |         |      |        |      |         |      |          |      |         |      |         |      |         |      |          |      |         |      |         |      |         |      |          |      |         |      |       |      |        |      |          |      |         |      |         |      |      |      |         |      |          |      |          |      |         |      |          |      |      |      |         |      |         |      |         |      |          |      |       |      |        |      |          |      |      |      |       |      |        |      |         |      |      |      |        |      |        |      |         |      |     |      |        |      |         |      |       |      |        |      |          |      |       |      |         |      |        |      |         |     |      |      |        |      |         |     |        |      |         |     |        |      |        |     |        |      |       |      |         |      |        |     |        |      |       |     |        |      |       |     |        |     |       |     |       |      |       |      |         |     |       |     |        |     |       |     |        |     |       |     |       |     |       |     |       |     |       |     |       |     |       |     |       |     |       |     |       |     |       |     |       |     |       |     |       |     |       |     |       |     |       |     |       |     |       |     |       |     |       |     |       |     |       |     |       |     |       |     |       |     |       |     |       |     |       |     |       |     |       |     |       |     |       |    |       |     |       |    |       |     |      |    |       |     |      |    |       |     |     |    |       |     |     |    |       |    |     |    |       |    |     |    |      |    |     |    |
| 88            | 26         | 15.81    | 7.4                    | 97          | 23      | 14.33         | 8.1        | 108      | 21                     | 12.87       | 9.0     | 125      | 18    | 11.08         | 10   | 133     | 17   | 10.42         | 10    | 155     | 14   | 8.97          | 11   | 185      | 12    | 7.51          | 11    |         |      |          |       |         |      |          |       |         |      |          |      |         |      |         |       |         |      |          |      |         |      |         |       |         |      |         |       |          |       |          |       |          |       |          |       |         |      |          |      |          |       |          |       |          |      |          |       |         |      |          |       |         |      |          |      |         |      |         |       |         |       |          |      |         |      |          |      |         |       |          |       |          |       |         |       |         |       |          |      |         |      |         |      |         |       |         |       |         |      |         |       |         |      |          |       |         |      |         |       |          |      |         |      |          |      |          |      |         |       |          |       |          |      |         |       |         |       |          |      |         |      |         |       |         |      |          |       |         |      |         |      |         |      |         |      |         |      |         |      |         |       |         |      |         |      |         |      |         |      |          |      |         |      |         |      |         |      |          |       |         |      |          |      |          |      |          |      |         |      |         |      |         |      |          |      |         |      |         |      |         |      |         |      |         |      |         |      |         |      |          |      |         |      |         |      |         |      |         |      |          |      |         |      |         |      |         |      |         |      |          |      |         |      |         |      |         |      |         |      |        |      |         |      |         |      |       |      |         |      |         |      |          |      |          |      |         |      |         |      |         |      |          |      |         |      |         |      |         |      |         |      |          |      |         |      |         |      |          |      |      |      |         |      |         |      |         |      |         |      |          |      |         |      |          |      |         |      |        |      |         |      |          |      |         |      |         |      |         |      |          |      |         |      |         |      |         |      |          |      |         |      |       |      |        |      |          |      |         |      |         |      |      |      |         |      |          |      |          |      |         |      |          |      |      |      |         |      |         |      |         |      |          |      |       |      |        |      |          |      |      |      |       |      |        |      |         |      |      |      |        |      |        |      |         |      |     |      |        |      |         |      |       |      |        |      |          |      |       |      |         |      |        |      |         |     |      |      |        |      |         |     |        |      |         |     |        |      |        |     |        |      |       |      |         |      |        |     |        |      |       |     |        |      |       |     |        |     |       |     |       |      |       |      |         |     |       |     |        |     |       |     |        |     |       |     |       |     |       |     |       |     |       |     |       |     |       |     |       |     |       |     |       |     |       |     |       |     |       |     |       |     |       |     |       |     |       |     |       |     |       |     |       |     |       |     |       |     |       |     |       |     |       |     |       |     |       |     |       |     |       |     |       |     |       |     |       |     |       |    |       |     |       |    |       |     |      |    |       |     |      |    |       |     |     |    |       |     |     |    |       |    |     |    |       |    |     |    |      |    |     |    |
| 97            | 23         | 14.33    | 8.1                    | 108         | 21      | 12.87         | 9.0        | 125      | 18                     | 11.08       | 10      | 133      | 17    | 10.42         | 10   | 155     | 14   | 8.97          | 11    | 185     | 12   | 7.51          | 11   |          |       |               |       |         |      |          |       |         |      |          |       |         |      |          |      |         |      |         |       |         |      |          |      |         |      |         |       |         |      |         |       |          |       |          |       |          |       |          |       |         |      |          |      |          |       |          |       |          |      |          |       |         |      |          |       |         |      |          |      |         |      |         |       |         |       |          |      |         |      |          |      |         |       |          |       |          |       |         |       |         |       |          |      |         |      |         |      |         |       |         |       |         |      |         |       |         |      |          |       |         |      |         |       |          |      |         |      |          |      |          |      |         |       |          |       |          |      |         |       |         |       |          |      |         |      |         |       |         |      |          |       |         |      |         |      |         |      |         |      |         |      |         |      |         |       |         |      |         |      |         |      |         |      |          |      |         |      |         |      |         |      |          |       |         |      |          |      |          |      |          |      |         |      |         |      |         |      |          |      |         |      |         |      |         |      |         |      |         |      |         |      |         |      |          |      |         |      |         |      |         |      |         |      |          |      |         |      |         |      |         |      |         |      |          |      |         |      |         |      |         |      |         |      |        |      |         |      |         |      |       |      |         |      |         |      |          |      |          |      |         |      |         |      |         |      |          |      |         |      |         |      |         |      |         |      |          |      |         |      |         |      |          |      |      |      |         |      |         |      |         |      |         |      |          |      |         |      |          |      |         |      |        |      |         |      |          |      |         |      |         |      |         |      |          |      |         |      |         |      |         |      |          |      |         |      |       |      |        |      |          |      |         |      |         |      |      |      |         |      |          |      |          |      |         |      |          |      |      |      |         |      |         |      |         |      |          |      |       |      |        |      |          |      |      |      |       |      |        |      |         |      |      |      |        |      |        |      |         |      |     |      |        |      |         |      |       |      |        |      |          |      |       |      |         |      |        |      |         |     |      |      |        |      |         |     |        |      |         |     |        |      |        |     |        |      |       |      |         |      |        |     |        |      |       |     |        |      |       |     |        |     |       |     |       |      |       |      |         |     |       |     |        |     |       |     |        |     |       |     |       |     |       |     |       |     |       |     |       |     |       |     |       |     |       |     |       |     |       |     |       |     |       |     |       |     |       |     |       |     |       |     |       |     |       |     |       |     |       |     |       |     |       |     |       |     |       |     |       |     |       |     |       |     |       |     |       |     |       |     |       |     |       |    |       |     |       |    |       |     |      |    |       |     |      |    |       |     |     |    |       |     |     |    |       |    |     |    |       |    |     |    |      |    |     |    |
| 108           | 21         | 12.87    | 9.0                    | 125         | 18      | 11.08         | 10         | 133      | 17                     | 10.42       | 10      | 155      | 14    | 8.97          | 11   | 185     | 12   | 7.51          | 11    |         |      |               |      |          |       |               |       |         |      |          |       |         |      |          |       |         |      |          |      |         |      |         |       |         |      |          |      |         |      |         |       |         |      |         |       |          |       |          |       |          |       |          |       |         |      |          |      |          |       |          |       |          |      |          |       |         |      |          |       |         |      |          |      |         |      |         |       |         |       |          |      |         |      |          |      |         |       |          |       |          |       |         |       |         |       |          |      |         |      |         |      |         |       |         |       |         |      |         |       |         |      |          |       |         |      |         |       |          |      |         |      |          |      |          |      |         |       |          |       |          |      |         |       |         |       |          |      |         |      |         |       |         |      |          |       |         |      |         |      |         |      |         |      |         |      |         |      |         |       |         |      |         |      |         |      |         |      |          |      |         |      |         |      |         |      |          |       |         |      |          |      |          |      |          |      |         |      |         |      |         |      |          |      |         |      |         |      |         |      |         |      |         |      |         |      |         |      |          |      |         |      |         |      |         |      |         |      |          |      |         |      |         |      |         |      |         |      |          |      |         |      |         |      |         |      |         |      |        |      |         |      |         |      |       |      |         |      |         |      |          |      |          |      |         |      |         |      |         |      |          |      |         |      |         |      |         |      |         |      |          |      |         |      |         |      |          |      |      |      |         |      |         |      |         |      |         |      |          |      |         |      |          |      |         |      |        |      |         |      |          |      |         |      |         |      |         |      |          |      |         |      |         |      |         |      |          |      |         |      |       |      |        |      |          |      |         |      |         |      |      |      |         |      |          |      |          |      |         |      |          |      |      |      |         |      |         |      |         |      |          |      |       |      |        |      |          |      |      |      |       |      |        |      |         |      |      |      |        |      |        |      |         |      |     |      |        |      |         |      |       |      |        |      |          |      |       |      |         |      |        |      |         |     |      |      |        |      |         |     |        |      |         |     |        |      |        |     |        |      |       |      |         |      |        |     |        |      |       |     |        |      |       |     |        |     |       |     |       |      |       |      |         |     |       |     |        |     |       |     |        |     |       |     |       |     |       |     |       |     |       |     |       |     |       |     |       |     |       |     |       |     |       |     |       |     |       |     |       |     |       |     |       |     |       |     |       |     |       |     |       |     |       |     |       |     |       |     |       |     |       |     |       |     |       |     |       |     |       |     |       |     |       |     |       |     |       |    |       |     |       |    |       |     |      |    |       |     |      |    |       |     |     |    |       |     |     |    |       |    |     |    |       |    |     |    |      |    |     |    |
| 125           | 18         | 11.08    | 10                     | 133         | 17      | 10.42         | 10         | 155      | 14                     | 8.97        | 11      | 185      | 12    | 7.51          | 11   |         |      |               |       |         |      |               |      |          |       |               |       |         |      |          |       |         |      |          |       |         |      |          |      |         |      |         |       |         |      |          |      |         |      |         |       |         |      |         |       |          |       |          |       |          |       |          |       |         |      |          |      |          |       |          |       |          |      |          |       |         |      |          |       |         |      |          |      |         |      |         |       |         |       |          |      |         |      |          |      |         |       |          |       |          |       |         |       |         |       |          |      |         |      |         |      |         |       |         |       |         |      |         |       |         |      |          |       |         |      |         |       |          |      |         |      |          |      |          |      |         |       |          |       |          |      |         |       |         |       |          |      |         |      |         |       |         |      |          |       |         |      |         |      |         |      |         |      |         |      |         |      |         |       |         |      |         |      |         |      |         |      |          |      |         |      |         |      |         |      |          |       |         |      |          |      |          |      |          |      |         |      |         |      |         |      |          |      |         |      |         |      |         |      |         |      |         |      |         |      |         |      |          |      |         |      |         |      |         |      |         |      |          |      |         |      |         |      |         |      |         |      |          |      |         |      |         |      |         |      |         |      |        |      |         |      |         |      |       |      |         |      |         |      |          |      |          |      |         |      |         |      |         |      |          |      |         |      |         |      |         |      |         |      |          |      |         |      |         |      |          |      |      |      |         |      |         |      |         |      |         |      |          |      |         |      |          |      |         |      |        |      |         |      |          |      |         |      |         |      |         |      |          |      |         |      |         |      |         |      |          |      |         |      |       |      |        |      |          |      |         |      |         |      |      |      |         |      |          |      |          |      |         |      |          |      |      |      |         |      |         |      |         |      |          |      |       |      |        |      |          |      |      |      |       |      |        |      |         |      |      |      |        |      |        |      |         |      |     |      |        |      |         |      |       |      |        |      |          |      |       |      |         |      |        |      |         |     |      |      |        |      |         |     |        |      |         |     |        |      |        |     |        |      |       |      |         |      |        |     |        |      |       |     |        |      |       |     |        |     |       |     |       |      |       |      |         |     |       |     |        |     |       |     |        |     |       |     |       |     |       |     |       |     |       |     |       |     |       |     |       |     |       |     |       |     |       |     |       |     |       |     |       |     |       |     |       |     |       |     |       |     |       |     |       |     |       |     |       |     |       |     |       |     |       |     |       |     |       |     |       |     |       |     |       |     |       |     |       |     |       |    |       |     |       |    |       |     |      |    |       |     |      |    |       |     |     |    |       |     |     |    |       |    |     |    |       |    |     |    |      |    |     |    |
| 133           | 17         | 10.42    | 10                     | 155         | 14      | 8.97          | 11         | 185      | 12                     | 7.51        | 11      |          |       |               |      |         |      |               |       |         |      |               |      |          |       |               |       |         |      |          |       |         |      |          |       |         |      |          |      |         |      |         |       |         |      |          |      |         |      |         |       |         |      |         |       |          |       |          |       |          |       |          |       |         |      |          |      |          |       |          |       |          |      |          |       |         |      |          |       |         |      |          |      |         |      |         |       |         |       |          |      |         |      |          |      |         |       |          |       |          |       |         |       |         |       |          |      |         |      |         |      |         |       |         |       |         |      |         |       |         |      |          |       |         |      |         |       |          |      |         |      |          |      |          |      |         |       |          |       |          |      |         |       |         |       |          |      |         |      |         |       |         |      |          |       |         |      |         |      |         |      |         |      |         |      |         |      |         |       |         |      |         |      |         |      |         |      |          |      |         |      |         |      |         |      |          |       |         |      |          |      |          |      |          |      |         |      |         |      |         |      |          |      |         |      |         |      |         |      |         |      |         |      |         |      |         |      |          |      |         |      |         |      |         |      |         |      |          |      |         |      |         |      |         |      |         |      |          |      |         |      |         |      |         |      |         |      |        |      |         |      |         |      |       |      |         |      |         |      |          |      |          |      |         |      |         |      |         |      |          |      |         |      |         |      |         |      |         |      |          |      |         |      |         |      |          |      |      |      |         |      |         |      |         |      |         |      |          |      |         |      |          |      |         |      |        |      |         |      |          |      |         |      |         |      |         |      |          |      |         |      |         |      |         |      |          |      |         |      |       |      |        |      |          |      |         |      |         |      |      |      |         |      |          |      |          |      |         |      |          |      |      |      |         |      |         |      |         |      |          |      |       |      |        |      |          |      |      |      |       |      |        |      |         |      |      |      |        |      |        |      |         |      |     |      |        |      |         |      |       |      |        |      |          |      |       |      |         |      |        |      |         |     |      |      |        |      |         |     |        |      |         |     |        |      |        |     |        |      |       |      |         |      |        |     |        |      |       |     |        |      |       |     |        |     |       |     |       |      |       |      |         |     |       |     |        |     |       |     |        |     |       |     |       |     |       |     |       |     |       |     |       |     |       |     |       |     |       |     |       |     |       |     |       |     |       |     |       |     |       |     |       |     |       |     |       |     |       |     |       |     |       |     |       |     |       |     |       |     |       |     |       |     |       |     |       |     |       |     |       |     |       |     |       |     |       |    |       |     |       |    |       |     |      |    |       |     |      |    |       |     |     |    |       |     |     |    |       |    |     |    |       |    |     |    |      |    |     |    |
| 155           | 14         | 8.97     | 11                     | 185         | 12      | 7.51          | 11         |          |                        |             |         |          |       |               |      |         |      |               |       |         |      |               |      |          |       |               |       |         |      |          |       |         |      |          |       |         |      |          |      |         |      |         |       |         |      |          |      |         |      |         |       |         |      |         |       |          |       |          |       |          |       |          |       |         |      |          |      |          |       |          |       |          |      |          |       |         |      |          |       |         |      |          |      |         |      |         |       |         |       |          |      |         |      |          |      |         |       |          |       |          |       |         |       |         |       |          |      |         |      |         |      |         |       |         |       |         |      |         |       |         |      |          |       |         |      |         |       |          |      |         |      |          |      |          |      |         |       |          |       |          |      |         |       |         |       |          |      |         |      |         |       |         |      |          |       |         |      |         |      |         |      |         |      |         |      |         |      |         |       |         |      |         |      |         |      |         |      |          |      |         |      |         |      |         |      |          |       |         |      |          |      |          |      |          |      |         |      |         |      |         |      |          |      |         |      |         |      |         |      |         |      |         |      |         |      |         |      |          |      |         |      |         |      |         |      |         |      |          |      |         |      |         |      |         |      |         |      |          |      |         |      |         |      |         |      |         |      |        |      |         |      |         |      |       |      |         |      |         |      |          |      |          |      |         |      |         |      |         |      |          |      |         |      |         |      |         |      |         |      |          |      |         |      |         |      |          |      |      |      |         |      |         |      |         |      |         |      |          |      |         |      |          |      |         |      |        |      |         |      |          |      |         |      |         |      |         |      |          |      |         |      |         |      |         |      |          |      |         |      |       |      |        |      |          |      |         |      |         |      |      |      |         |      |          |      |          |      |         |      |          |      |      |      |         |      |         |      |         |      |          |      |       |      |        |      |          |      |      |      |       |      |        |      |         |      |      |      |        |      |        |      |         |      |     |      |        |      |         |      |       |      |        |      |          |      |       |      |         |      |        |      |         |     |      |      |        |      |         |     |        |      |         |     |        |      |        |     |        |      |       |      |         |      |        |     |        |      |       |     |        |      |       |     |        |     |       |     |       |      |       |      |         |     |       |     |        |     |       |     |        |     |       |     |       |     |       |     |       |     |       |     |       |     |       |     |       |     |       |     |       |     |       |     |       |     |       |     |       |     |       |     |       |     |       |     |       |     |       |     |       |     |       |     |       |     |       |     |       |     |       |     |       |     |       |     |       |     |       |     |       |     |       |     |       |     |       |    |       |     |       |    |       |     |      |    |       |     |      |    |       |     |     |    |       |     |     |    |       |    |     |    |       |    |     |    |      |    |     |    |
| 185           | 12         | 7.51     | 11                     |             |         |               |            |          |                        |             |         |          |       |               |      |         |      |               |       |         |      |               |      |          |       |               |       |         |      |          |       |         |      |          |       |         |      |          |      |         |      |         |       |         |      |          |      |         |      |         |       |         |      |         |       |          |       |          |       |          |       |          |       |         |      |          |      |          |       |          |       |          |      |          |       |         |      |          |       |         |      |          |      |         |      |         |       |         |       |          |      |         |      |          |      |         |       |          |       |          |       |         |       |         |       |          |      |         |      |         |      |         |       |         |       |         |      |         |       |         |      |          |       |         |      |         |       |          |      |         |      |          |      |          |      |         |       |          |       |          |      |         |       |         |       |          |      |         |      |         |       |         |      |          |       |         |      |         |      |         |      |         |      |         |      |         |      |         |       |         |      |         |      |         |      |         |      |          |      |         |      |         |      |         |      |          |       |         |      |          |      |          |      |          |      |         |      |         |      |         |      |          |      |         |      |         |      |         |      |         |      |         |      |         |      |         |      |          |      |         |      |         |      |         |      |         |      |          |      |         |      |         |      |         |      |         |      |          |      |         |      |         |      |         |      |         |      |        |      |         |      |         |      |       |      |         |      |         |      |          |      |          |      |         |      |         |      |         |      |          |      |         |      |         |      |         |      |         |      |          |      |         |      |         |      |          |      |      |      |         |      |         |      |         |      |         |      |          |      |         |      |          |      |         |      |        |      |         |      |          |      |         |      |         |      |         |      |          |      |         |      |         |      |         |      |          |      |         |      |       |      |        |      |          |      |         |      |         |      |      |      |         |      |          |      |          |      |         |      |          |      |      |      |         |      |         |      |         |      |          |      |       |      |        |      |          |      |      |      |       |      |        |      |         |      |      |      |        |      |        |      |         |      |     |      |        |      |         |      |       |      |        |      |          |      |       |      |         |      |        |      |         |     |      |      |        |      |         |     |        |      |         |     |        |      |        |     |        |      |       |      |         |      |        |     |        |      |       |     |        |      |       |     |        |     |       |     |       |      |       |      |         |     |       |     |        |     |       |     |        |     |       |     |       |     |       |     |       |     |       |     |       |     |       |     |       |     |       |     |       |     |       |     |       |     |       |     |       |     |       |     |       |     |       |     |       |     |       |     |       |     |       |     |       |     |       |     |       |     |       |     |       |     |       |     |       |     |       |     |       |     |       |     |       |     |       |    |       |     |       |    |       |     |      |    |       |     |      |    |       |     |     |    |       |     |     |    |       |    |     |    |       |    |     |    |      |    |     |    |

减速机的外形安装尺寸在95页到101页里查找。The appearance of reducer installation dimensions in 95 to 101 page search page.



| 输出转速<br>r/min | 输出扭矩<br>Nm | 传动比<br>i | 使用系数<br>f <sub>B</sub> | 机型号<br>Type | 极数<br>p | 输出转速<br>r/min | 输出扭矩<br>Nm | 传动比<br>i | 使用系数<br>f <sub>B</sub> | 机型号<br>Type | 极数<br>p  |          |   |          |         |          |   |
|---------------|------------|----------|------------------------|-------------|---------|---------------|------------|----------|------------------------|-------------|----------|----------|---|----------|---------|----------|---|
| <b>0.37kW</b> |            |          |                        |             |         | <b>0.37kW</b> |            |          |                        |             |          |          |   |          |         |          |   |
| 8.0           | 391        | 173      | 0.96                   | F 47R17     | 4       | 32            | 105        | 43.83    | 1.80                   | F 37        | 4        |          |   |          |         |          |   |
| 9.5           | 330        | 146      | 1.14                   |             |         | 36            | 92         | 38.31    | 2.1                    |             |          |          |   |          |         |          |   |
| 11            | 292        | 129      | 1.29                   |             |         | 39            | 86         | 35.91    | 2.2                    |             |          |          |   |          |         |          |   |
| 2.4           | 1400       | 271.92   | 2.0                    | F 87        | 8       | 44            | 76         | 31.69    | 2.5                    |             |          | F 37     | 4 |          |         |          |   |
| 2.5           | 1313       | 254.93   | 2.1                    |             |         | 49            | 67         | 28.09    | 2.8                    |             |          |          |   |          |         |          |   |
| 2.8           | 1177       | 228.57   | 2.4                    |             |         | 58            | 57         | 23.88    | 3.3                    |             |          |          |   |          |         |          |   |
| 3.3           | 1014       | 196.85   | 2.8                    |             |         | 59            | 56         | 23.63    | 3.3                    |             |          |          |   |          |         |          |   |
| 3.1           | 1063       | 271.92   | 2.7                    | F 87        | 6       | 68            | 49         | 20.57    | 3.8                    |             |          |          |   | F 37     | 4       |          |   |
| 3.3           | 996        | 254.93   | 2.8                    |             |         | 72            | 46         | 19.27    | 4.1                    |             |          |          |   |          |         |          |   |
| 3.7           | 893        | 228.57   | 3.2                    |             |         | 82            | 41         | 17.03    | 4.6                    |             |          |          |   |          |         |          |   |
| 3.8           | 882        | 225.79   | 1.6                    | F 77        | 6       | 88            | 38         | 15.81    | 5.0                    |             |          |          |   |          |         | F 37     | 4 |
| 4.3           | 775        | 198.31   | 1.8                    |             |         | 97            | 34         | 14.33    | 5.5                    |             |          |          |   |          |         |          |   |
| 4.5           | 736        | 188.40   | 1.9                    |             |         | 108           | 31         | 12.87    | 6.1                    |             |          |          |   |          |         |          |   |
| 5.1           | 651        | 166.47   | 2.2                    |             |         | 125           | 26         | 11.08    | 6.7                    |             |          |          |   |          |         |          |   |
| 4.9           | 673        | 281.71   | 2.1                    | F 77        | 4       | 133           | 25         | 10.42    | 7.0                    | F 37        | 4        |          |   |          |         |          |   |
| 5.3           | 628        | 262.93   | 2.2                    |             |         | 155           | 21         | 8.97     | 7.7                    |             |          |          |   |          |         |          |   |
| 6.2           | 540        | 225.79   | 2.6                    |             |         | 185           | 18         | 7.51     | 7.6                    |             |          |          |   |          |         |          |   |
| 7.0           | 474        | 198.31   | 3.0                    |             |         | 204           | 16         | 6.81     | 8.1                    |             |          |          |   |          |         |          |   |
| 4.4           | 764        | 195.39   | 1.01                   | F 67        | 6       | 227           | 15         | 6.11     | 8.7                    |             |          | F 157R97 | 4 |          |         |          |   |
| 5.0           | 668        | 170.85   | 1.15                   |             |         | 264           | 13         | 5.27     | 9.3                    |             |          |          |   |          |         |          |   |
| 5.2           | 634        | 162.31   | 1.22                   |             |         | 281           | 12         | 4.95     | 9.5                    |             |          |          |   |          |         |          |   |
| 6.0           | 556        | 142.40   | 1.4                    |             |         | 326           | 10         | 4.26     | 10                     |             |          |          |   |          |         |          |   |
| 6.1           | 547        | 228.99   | 1.41                   | F 67        | 4       | <b>0.55kW</b> |            |          |                        |             |          |          |   | F 157R97 | 4       |          |   |
| 7.1           | 467        | 195.39   | 1.65                   |             |         | 0.22          | 21141      | 6286     | 0.80                   |             |          |          |   |          |         |          |   |
| 8.1           | 408        | 170.85   | 1.89                   |             |         | 0.26          | 18174      | 5404     | 0.93                   |             |          |          |   |          |         |          |   |
| 8.6           | 388        | 162.31   | 1.99                   |             |         | 0.50          | 9336       | 2776     | 1.81                   |             |          |          |   |          |         |          |   |
| 9.8           | 340        | 142.40   | 2.3                    | F 67        | 4       | 0.57          | 8162       | 2427     | 2.1                    |             |          |          |   |          |         | F 157R97 | 4 |
| 12            | 289        | 120.79   | 2.7                    |             |         | 0.83          | 5630       | 1674     | 3.0                    |             |          |          |   |          |         |          |   |
| 5.4           | 614        | 157.09   | 0.92                   |             |         | 1.1           | 4399       | 1308     | 3.8                    |             |          |          |   |          |         |          |   |
| 6.2           | 532        | 136.16   | 1.06                   |             |         | 1.2           | 3931       | 1169     | 4.3                    |             |          |          |   |          |         |          |   |
| 6.7           | 497        | 127.27   | 1.13                   | F 57        | 6       | <b>0.55kW</b> |            |          |                        |             | F 127R77 |          |   |          |         |          |   |
| 7.7           | 430        | 110.01   | 1.31                   |             |         | 0.36          | 13009      | 3868     | 0.87                   |             |          |          |   |          |         |          |   |
| 7.0           | 477        | 199.70   | 1.18                   |             |         | 0.41          | 11445      | 3403     | 0.99                   |             |          |          |   |          |         |          |   |
| 7.6           | 439        | 183.60   | 1.29                   |             |         | 0.47          | 10046      | 2987     | 1.12                   |             |          |          |   |          |         |          |   |
| 8.8           | 375        | 157.09   | 1.50                   | F 57        | 4       | <b>0.55kW</b> |            |          |                        |             |          | F 107R77 | 4 |          |         |          |   |
| 10            | 325        | 136.16   | 1.73                   |             |         | 0.59          | 7967       | 2369     | 0.92                   |             |          |          |   |          |         |          |   |
| 11            | 304        | 127.27   | 1.85                   |             |         | 0.67          | 6955       | 2068     | 1.06                   |             |          |          |   |          |         |          |   |
| 13            | 263        | 110.01   | 2.1                    |             |         | 0.76          | 6141       | 1826     | 1.20                   |             |          |          |   |          |         |          |   |
| 15            | 223        | 93.47    | 2.5                    | F 57        | 4       | 0.87          | 5371       | 1597     | 0.37                   | F 107R77    |          |          |   | 4        |         |          |   |
| 17            | 199        | 83.46    | 2.8                    |             |         | 0.99          | 4712       | 1401     | 1.56                   |             |          |          |   |          |         |          |   |
| 9             | 356        | 148.98   | 1.06                   |             |         | 1.19          | 3921       | 1166     | 1.88                   |             |          |          |   |          |         |          |   |
| 11            | 309        | 129.14   | 1.22                   |             |         | 1.28          | 3656       | 1087     | 2.0                    |             |          |          |   |          |         |          |   |
| 13            | 249        | 104.33   | 1.51                   | F 47        | 4       | 1.46          | 3195       | 950      | 2.3                    |             |          |          |   |          | F 97R57 | 4        |   |
| 16            | 212        | 88.65    | 1.77                   |             |         | 1.67          | 2805       | 834      | 2.6                    |             |          |          |   |          |         |          |   |
| 18            | 189        | 79.15    | 2.0                    |             |         | 2.17          | 2152       | 640      | 3.4                    |             |          |          |   |          |         |          |   |
| 21            | 162        | 67.61    | 2.3                    |             |         | <b>0.55kW</b> |            |          |                        |             | F 97R57  |          |   |          |         |          | 4 |
| 21            | 155        | 64.89    | 2.4                    | 1.04        | 4507    | 1340          | 0.90       |          |                        |             |          |          |   |          |         |          |   |
| 16            | 207        | 86.53    | 0.91                   | 1.18        | 3975    | 1182          | 1.02       |          |                        |             |          |          |   |          |         |          |   |
| 17            | 193        | 80.65    | 0.98                   | 1.35        | 3471    | 1032          | 1.16       |          |                        |             |          |          |   |          |         |          |   |
| 20            | 168        | 70.50    | 1.12                   | F 37        | 4       | 1.5           | 3050       | 907      | 1.33                   |             |          | F 87R57  | 4 |          |         |          |   |
| 21            | 158        | 66.09    | 1.19                   |             |         | 1.7           | 2677       | 796      | 1.5                    |             |          |          |   |          |         |          |   |
| 24            | 139        | 58.32    | 1.35                   |             |         | 2.0           | 2354       | 700      | 1.7                    |             |          |          |   |          |         |          |   |
| 25            | 130        | 54.54    | 1.44                   |             |         | 2.3           | 2055       | 611      | 2.0                    |             |          |          |   |          |         |          |   |
| 27            | 124        | 51.70    | 1.52                   | F 37        | 4       | 2.6           | 1796       | 534      | 2.3                    | F 87R57     |          |          |   | 4        |         |          |   |
| 30            | 112        | 47.02    | 1.67                   |             |         | 2.9           | 1587       | 472      | 2.5                    |             |          |          |   |          |         |          |   |
| 16            | 207        | 86.53    | 0.91                   |             |         | 3.4           | 1379       | 410      | 2.9                    |             |          |          |   |          |         |          |   |
| 17            | 193        | 80.65    | 0.98                   |             |         | 3.8           | 1234       | 367      | 3.3                    |             |          |          |   |          |         |          |   |
| 20            | 168        | 70.50    | 1.12                   | F 37        | 4       | <b>0.55kW</b> |            |          |                        |             |          |          |   |          | F 87R57 | 4        |   |
| 21            | 158        | 66.09    | 1.19                   |             |         | 1.6           | 2983       | 887      | 0.95                   |             |          |          |   |          |         |          |   |
| 24            | 139        | 58.32    | 1.35                   |             |         | 1.8           | 2623       | 780      | 1.08                   |             |          |          |   |          |         |          |   |
| 25            | 130        | 54.54    | 1.44                   |             |         | 2.1           | 2267       | 674      | 1.24                   |             |          |          |   |          |         |          |   |
| 27            | 124        | 51.70    | 1.52                   | F 37        | 4       | 2.3           | 2048       | 609      | 1.38                   |             | F 87R57  |          |   |          |         |          | 4 |
| 30            | 112        | 47.02    | 1.67                   |             |         | 2.7           | 1732       | 515      | 1.63                   |             |          |          |   |          |         |          |   |
| 16            | 207        | 86.53    | 0.91                   |             |         | 3.1           | 1520       | 452      | 1.86                   |             |          |          |   |          |         |          |   |
| 17            | 193        | 80.65    | 0.98                   |             |         | 4.0           | 1160       | 345      | 2.4                    |             |          |          |   |          |         |          |   |

减速机的外形安装尺寸在95页到101页里查找。The appearance of reducer installation dimensions in 95 to 101 page search page.





| 输出转速<br>r/min | 输出扭矩<br>Nm | 传动比<br>i | 使用系数<br>f <sub>B</sub> | 机型号<br>Type | 极数<br>p | 输出转速<br>r/min | 输出扭矩<br>Nm | 传动比<br>i | 使用系数<br>f <sub>B</sub> | 机型号<br>Type | 极数<br>p |     |      |       |      |     |      |       |      |    |     |       |      |  |  |       |      |       |      |       |     |       |     |       |      |       |      |       |      |       |      |       |      |       |      |       |      |       |      |       |      |       |      |       |      |       |      |       |      |       |      |       |      |       |      |       |     |       |     |       |     |       |     |       |     |       |     |       |     |       |     |       |     |       |     |       |     |       |     |       |     |       |     |       |     |       |     |       |     |       |     |      |     |      |     |      |     |      |     |      |     |      |     |      |     |      |     |      |     |      |     |      |     |      |     |      |     |      |     |      |     |               |     |               |     |               |     |               |  |               |  |               |  |               |     |        |      |        |      |        |      |        |      |      |   |      |       |      |      |          |   |          |     |          |     |          |     |        |     |        |     |        |     |        |     |        |     |        |     |        |     |        |     |        |     |        |     |        |     |        |     |        |     |        |       |       |       |          |   |       |       |          |      |      |       |          |      |      |       |          |      |      |       |      |      |      |       |      |      |      |      |        |      |      |   |      |      |        |      |          |   |      |     |        |      |        |      |          |      |      |     |        |      |        |      |          |      |      |     |        |      |      |      |          |      |     |     |        |      |     |     |        |      |      |      |        |      |         |   |      |      |        |      |      |      |        |      |         |      |      |      |       |      |      |      |       |      |         |      |      |      |        |      |      |   |      |      |      |      |         |      |        |      |        |      |        |      |     |      |        |      |     |      |        |      |        |      |        |      |     |      |        |      |     |      |        |      |        |      |        |      |     |      |        |      |      |   |     |      |        |      |     |      |        |      |     |      |        |      |      |      |     |      |       |      |     |      |       |      |     |      |       |      |      |      |     |      |       |      |     |      |        |      |  |  |     |      |       |      |      |      |       |      |     |      |       |      |        |      |  |  |     |      |       |      |     |      |       |      |     |      |       |      |        |      |  |  |     |     |       |      |     |     |       |      |     |     |       |      |        |      |  |  |    |     |       |      |    |     |       |      |
|---------------|------------|----------|------------------------|-------------|---------|---------------|------------|----------|------------------------|-------------|---------|-----|------|-------|------|-----|------|-------|------|----|-----|-------|------|--|--|-------|------|-------|------|-------|-----|-------|-----|-------|------|-------|------|-------|------|-------|------|-------|------|-------|------|-------|------|-------|------|-------|------|-------|------|-------|------|-------|------|-------|------|-------|------|-------|------|-------|------|-------|-----|-------|-----|-------|-----|-------|-----|-------|-----|-------|-----|-------|-----|-------|-----|-------|-----|-------|-----|-------|-----|-------|-----|-------|-----|-------|-----|-------|-----|-------|-----|-------|-----|-------|-----|------|-----|------|-----|------|-----|------|-----|------|-----|------|-----|------|-----|------|-----|------|-----|------|-----|------|-----|------|-----|------|-----|------|-----|------|-----|---------------|-----|---------------|-----|---------------|-----|---------------|--|---------------|--|---------------|--|---------------|-----|--------|------|--------|------|--------|------|--------|------|------|---|------|-------|------|------|----------|---|----------|-----|----------|-----|----------|-----|--------|-----|--------|-----|--------|-----|--------|-----|--------|-----|--------|-----|--------|-----|--------|-----|--------|-----|--------|-----|--------|-----|--------|-----|--------|-----|--------|-------|-------|-------|----------|---|-------|-------|----------|------|------|-------|----------|------|------|-------|----------|------|------|-------|------|------|------|-------|------|------|------|------|--------|------|------|---|------|------|--------|------|----------|---|------|-----|--------|------|--------|------|----------|------|------|-----|--------|------|--------|------|----------|------|------|-----|--------|------|------|------|----------|------|-----|-----|--------|------|-----|-----|--------|------|------|------|--------|------|---------|---|------|------|--------|------|------|------|--------|------|---------|------|------|------|-------|------|------|------|-------|------|---------|------|------|------|--------|------|------|---|------|------|------|------|---------|------|--------|------|--------|------|--------|------|-----|------|--------|------|-----|------|--------|------|--------|------|--------|------|-----|------|--------|------|-----|------|--------|------|--------|------|--------|------|-----|------|--------|------|------|---|-----|------|--------|------|-----|------|--------|------|-----|------|--------|------|------|------|-----|------|-------|------|-----|------|-------|------|-----|------|-------|------|------|------|-----|------|-------|------|-----|------|--------|------|--|--|-----|------|-------|------|------|------|-------|------|-----|------|-------|------|--------|------|--|--|-----|------|-------|------|-----|------|-------|------|-----|------|-------|------|--------|------|--|--|-----|-----|-------|------|-----|-----|-------|------|-----|-----|-------|------|--------|------|--|--|----|-----|-------|------|----|-----|-------|------|
| <b>0.55kW</b> |            |          |                        |             |         | <b>0.55kW</b> |            |          |                        |             |         |     |      |       |      |     |      |       |      |    |     |       |      |  |  |       |      |       |      |       |     |       |     |       |      |       |      |       |      |       |      |       |      |       |      |       |      |       |      |       |      |       |      |       |      |       |      |       |      |       |      |       |      |       |      |       |     |       |     |       |     |       |     |       |     |       |     |       |     |       |     |       |     |       |     |       |     |       |     |       |     |       |     |       |     |       |     |       |     |       |     |      |     |      |     |      |     |      |     |      |     |      |     |      |     |      |     |      |     |      |     |      |     |      |     |      |     |      |     |      |     |               |     |               |     |               |     |               |  |               |  |               |  |               |     |        |      |        |      |        |      |        |      |      |   |      |       |      |      |          |   |          |     |          |     |          |     |        |     |        |     |        |     |        |     |        |     |        |     |        |     |        |     |        |     |        |     |        |     |        |     |        |     |        |       |       |       |          |   |       |       |          |      |      |       |          |      |      |       |          |      |      |       |      |      |      |       |      |      |      |      |        |      |      |   |      |      |        |      |          |   |      |     |        |      |        |      |          |      |      |     |        |      |        |      |          |      |      |     |        |      |      |      |          |      |     |     |        |      |     |     |        |      |      |      |        |      |         |   |      |      |        |      |      |      |        |      |         |      |      |      |       |      |      |      |       |      |         |      |      |      |        |      |      |   |      |      |      |      |         |      |        |      |        |      |        |      |     |      |        |      |     |      |        |      |        |      |        |      |     |      |        |      |     |      |        |      |        |      |        |      |     |      |        |      |      |   |     |      |        |      |     |      |        |      |     |      |        |      |      |      |     |      |       |      |     |      |       |      |     |      |       |      |      |      |     |      |       |      |     |      |        |      |  |  |     |      |       |      |      |      |       |      |     |      |       |      |        |      |  |  |     |      |       |      |     |      |       |      |     |      |       |      |        |      |  |  |     |     |       |      |     |     |       |      |     |     |       |      |        |      |  |  |    |     |       |      |    |     |       |      |
| 2.6           | 1766       | 525      | 0.80                   | F 77R37     | 4       | 21            | 230        | 64.89    | 1.63                   | F 47        | 4       |     |      |       |      |     |      |       |      |    |     |       |      |  |  |       |      |       |      |       |     |       |     |       |      |       |      |       |      |       |      |       |      |       |      |       |      |       |      |       |      |       |      |       |      |       |      |       |      |       |      |       |      |       |      |       |     |       |     |       |     |       |     |       |     |       |     |       |     |       |     |       |     |       |     |       |     |       |     |       |     |       |     |       |     |       |     |       |     |       |     |      |     |      |     |      |     |      |     |      |     |      |     |      |     |      |     |      |     |      |     |      |     |      |     |      |     |      |     |      |     |               |     |               |     |               |     |               |  |               |  |               |  |               |     |        |      |        |      |        |      |        |      |      |   |      |       |      |      |          |   |          |     |          |     |          |     |        |     |        |     |        |     |        |     |        |     |        |     |        |     |        |     |        |     |        |     |        |     |        |     |        |     |        |       |       |       |          |   |       |       |          |      |      |       |          |      |      |       |          |      |      |       |      |      |      |       |      |      |      |      |        |      |      |   |      |      |        |      |          |   |      |     |        |      |        |      |          |      |      |     |        |      |        |      |          |      |      |     |        |      |      |      |          |      |     |     |        |      |     |     |        |      |      |      |        |      |         |   |      |      |        |      |      |      |        |      |         |      |      |      |       |      |      |      |       |      |         |      |      |      |        |      |      |   |      |      |      |      |         |      |        |      |        |      |        |      |     |      |        |      |     |      |        |      |        |      |        |      |     |      |        |      |     |      |        |      |        |      |        |      |     |      |        |      |      |   |     |      |        |      |     |      |        |      |     |      |        |      |      |      |     |      |       |      |     |      |       |      |     |      |       |      |      |      |     |      |       |      |     |      |        |      |  |  |     |      |       |      |      |      |       |      |     |      |       |      |        |      |  |  |     |      |       |      |     |      |       |      |     |      |       |      |        |      |  |  |     |     |       |      |     |     |       |      |     |     |       |      |        |      |  |  |    |     |       |      |    |     |       |      |
| 3.0           | 1577       | 469      | 0.89                   |             |         | 3.4           | 1386       | 412      | 1.02                   |             |         | 3.9 | 1201 | 357   | 1.17 | 4.4 | 1056 | 314   | 1.34 | 24 | 207 | 58.32 | 0.91 |  |  | 25    | 199  | 56.09 | 1.89 | 29    | 169 | 47.66 | 2.2 | 33    | 151  | 42.55 | 2.5  | 27    | 184  | 51.70 | 1.02 | 30    | 167  | 47.02 | 1.13 | 32    | 156  | 43.83 | 1.21 | 36    | 136  | 38.31 | 1.38 | 39    | 128  | 35.91 | 1.47 | 44    | 113  | 31.69 | 1.67 | 49    | 100  | 28.09 | 1.88 | 58    | 85  | 23.88 | 2.2 | 59    | 84  | 23.63 | 2.2 | 68    | 73  | 20.57 | 2.6 | 72    | 68  | 19.27 | 2.7 | 82    | 60  | 17.03 | 3.1 | 97    | 51  | 14.33 | 3.7 | 108   | 46  | 12.87 | 4.1 | 125   | 39  | 11.08 | 4.5 | 133   | 37  | 10.42 | 4.7 | 155  | 32  | 8.97 | 5.2 | 174  | 28  | 8.01 | 5.6 | 185  | 27  | 7.51 | 5.1 | 204  | 24  | 6.81 | 5.4 | 227  | 22  | 6.11 | 5.8 | 264  | 19  | 5.27 | 6.3 | 281  | 18  | 4.95 | 6.4 | 326  | 15  | 4.26          | 6.8 | 365           | 14  | 3.81          | 7.3 | <b>0.75kW</b> |  |               |  |               |  | <b>0.75kW</b> |     |        |      |        |      | 6.2    | 802  | 225.79 | 1.76 | F 77 | 4 | 0.50 | 12731 | 2776 | 1.33 | F 157R97 | 4 | 7.0      | 704 | 198.31   | 2.0 | 7.4      | 669 | 188.40 | 2.1 | 8.3    | 591 | 166.47 | 2.4 | 9.8    | 505 | 142.27 | 2.8 | 11     | 463 | 130.42 | 3.0 | 12     | 407 | 114.45 | 3.5 | 13     | 385 | 108.46 | 3.7 | 15     | 337 | 94.93  | 4.2 | 0.47   | 13699 | 2987  | 0.82  | F 127R77 | 4 | 0.52  | 12350 | 2693     | 0.91 | 0.59 | 10896 | 2376     | 1.04 | 0.68 | 9420  | 2054     | 1.20 | 0.77 | 8246  | 1798 | 1.37 | 0.86 | 7425  | 1619 | 1.52 | 7.1  | 694  | 195.39 | 1.11 | F 67 | 4 | 0.76 | 8374 | 1826   | 0.88 | F 107R77 | 4 | 8.1  | 607 | 170.85 | 1.27 | 8.6    | 577  | 162.31   | 1.34 | 9.8  | 506 | 142.40 | 1.52 | 12     | 429  | 120.79   | 1.80 | 13   | 387 | 109.04 | 2.0  | 14   | 341  | 95.94    | 2.3  | 15  | 322 | 90.59  | 2.4  | 18  | 277 | 77.97  | 2.8  | 0.88 | 7241 | 1597   | 1.02 | F 97R57 | 4 | 0.99 | 6425 | 1401   | 1.15 | 1.1  | 5700 | 1243   | 1.29 | 1.3     | 4985 | 1087 | 1.48 | 1.5   | 4357 | 950  | 1.69 | 1.7   | 3825 | 834     | 1.93 | 8.8  | 558  | 157.09 | 1.01 | F 57 | 4 | 2.2  | 2875 | 627  | 2.6  | 10      | 484  | 136.16 | 1.17 | 11     | 452  | 127.27 | 1.25 | 13  | 391  | 110.01 | 1.44 | 15  | 332  | 93.47  | 1.70 | 17     | 296  | 83.46  | 1.90 | 19  | 260  | 73.16  | 2.2  | 20  | 243  | 68.38  | 2.3  | 24     | 210  | 59.10  | 2.7  | 1.3 | 4733 | 1032   | 0.85 | F 47 | 4 | 1.5 | 4160 | 907    | 0.97 | 1.7 | 3651 | 796    | 1.1  | 2.0 | 3210 | 700    | 1.3  | 2.3  | 2802 | 611 | 1.4  | 2.6   | 2449 | 534 | 1.7  | 2.9   | 2165 | 472 | 1.9  | 3.4   | 1880 | 410  | 2.1  | 3.8 | 1683 | 367   | 2.4  | 13  | 371  | 104.33 | 1.01 |  |  | 16  | 315  | 88.65 | 1.19 | 18   | 281  | 79.15 | 1.34 | 21  | 240  | 67.61 | 1.57 |        |      |  |  |     |      |       |      |     |      |       |      |     |      |       |      |        |      |  |  |     |     |       |      |     |     |       |      |     |     |       |      |        |      |  |  |    |     |       |      |    |     |       |      |
| 3.4           | 1386       | 412      | 1.02                   |             |         | 3.9           | 1201       | 357      | 1.17                   |             |         | 4.4 | 1056 | 314   | 1.34 | 24  | 207  | 58.32 | 0.91 |    |     | 25    | 199  |  |  | 56.09 | 1.89 | 29    | 169  | 47.66 | 2.2 | 33    | 151 | 42.55 | 2.5  | 27    | 184  | 51.70 | 1.02 | 30    | 167  | 47.02 | 1.13 | 32    | 156  | 43.83 | 1.21 | 36    | 136  | 38.31 | 1.38 | 39    | 128  | 35.91 | 1.47 | 44    | 113  | 31.69 | 1.67 | 49    | 100  | 28.09 | 1.88 | 58    | 85   | 23.88 | 2.2 | 59    | 84  | 23.63 | 2.2 | 68    | 73  | 20.57 | 2.6 | 72    | 68  | 19.27 | 2.7 | 82    | 60  | 17.03 | 3.1 | 97    | 51  | 14.33 | 3.7 | 108   | 46  | 12.87 | 4.1 | 125   | 39  | 11.08 | 4.5 | 133   | 37  | 10.42 | 4.7 | 155   | 32  | 8.97 | 5.2 | 174  | 28  | 8.01 | 5.6 | 185  | 27  | 7.51 | 5.1 | 204  | 24  | 6.81 | 5.4 | 227  | 22  | 6.11 | 5.8 | 264  | 19  | 5.27 | 6.3 | 281  | 18  | 4.95 | 6.4 | 326  | 15  | 4.26 | 6.8 | 365           | 14  | 3.81          | 7.3 | <b>0.75kW</b> |     |               |  |               |  | <b>0.75kW</b> |  |               |     |        |      | 6.2    | 802  | 225.79 | 1.76 | F 77   | 4    |      |   | 0.50 | 12731 | 2776 | 1.33 |          |   | F 157R97 | 4   | 7.0      | 704 | 198.31   | 2.0 | 7.4    | 669 | 188.40 | 2.1 | 8.3    | 591 | 166.47 | 2.4 | 9.8    | 505 | 142.27 | 2.8 | 11     | 463 | 130.42 | 3.0 | 12     | 407 | 114.45 | 3.5 | 13     | 385 | 108.46 | 3.7 | 15     | 337 | 94.93  | 4.2   | 0.47  | 13699 |          |   | 2987  | 0.82  | F 127R77 | 4    | 0.52 | 12350 | 2693     | 0.91 | 0.59 | 10896 | 2376     | 1.04 | 0.68 | 9420  | 2054 | 1.20 | 0.77 | 8246  | 1798 | 1.37 | 0.86 | 7425 | 1619   | 1.52 |      |   | 7.1  | 694  | 195.39 | 1.11 |          |   | F 67 | 4   | 0.76   | 8374 | 1826   | 0.88 | F 107R77 | 4    | 8.1  | 607 | 170.85 | 1.27 | 8.6    | 577  | 162.31   | 1.34 | 9.8  | 506 | 142.40 | 1.52 | 12   | 429  | 120.79   | 1.80 | 13  | 387 | 109.04 | 2.0  | 14  | 341 | 95.94  | 2.3  | 15   | 322  | 90.59  | 2.4  |         |   | 18   | 277  | 77.97  | 2.8  | 0.88 | 7241 | 1597   | 1.02 | F 97R57 | 4    | 0.99 | 6425 | 1401  | 1.15 | 1.1  | 5700 | 1243  | 1.29 | 1.3     | 4985 | 1087 | 1.48 | 1.5    | 4357 |      |   | 950  | 1.69 | 1.7  | 3825 | 834     | 1.93 | 8.8    | 558  | 157.09 | 1.01 | F 57   | 4    | 2.2 | 2875 | 627    | 2.6  | 10  | 484  | 136.16 | 1.17 | 11     | 452  | 127.27 | 1.25 | 13  | 391  | 110.01 | 1.44 | 15  | 332  | 93.47  | 1.70 | 17     | 296  | 83.46  | 1.90 | 19  | 260  | 73.16  | 2.2  |      |   | 20  | 243  | 68.38  | 2.3  | 24  | 210  | 59.10  | 2.7  | 1.3 | 4733 | 1032   | 0.85 | F 47 | 4    | 1.5 | 4160 | 907   | 0.97 | 1.7 | 3651 | 796   | 1.1  | 2.0 | 3210 | 700   | 1.3  | 2.3  | 2802 | 611 | 1.4  | 2.6   | 2449 | 534 | 1.7  | 2.9    | 2165 |  |  | 472 | 1.9  | 3.4   | 1880 | 410  | 2.1  | 3.8   | 1683 | 367 | 2.4  | 13    | 371  | 104.33 | 1.01 |  |  | 16  | 315  | 88.65 | 1.19 | 18  | 281  | 79.15 | 1.34 | 21  | 240  | 67.61 | 1.57 |        |      |  |  |     |     |       |      |     |     |       |      |     |     |       |      |        |      |  |  |    |     |       |      |    |     |       |      |
| 3.9           | 1201       | 357      | 1.17                   |             |         | 4.4           | 1056       | 314      | 1.34                   |             |         | 24  | 207  | 58.32 | 0.91 |     |      | 25    | 199  |    |     | 56.09 | 1.89 |  |  | 29    | 169  | 47.66 | 2.2  | 33    | 151 | 42.55 | 2.5 | 27    | 184  | 51.70 | 1.02 | 30    | 167  | 47.02 | 1.13 | 32    | 156  | 43.83 | 1.21 | 36    | 136  | 38.31 | 1.38 | 39    | 128  | 35.91 | 1.47 | 44    | 113  | 31.69 | 1.67 | 49    | 100  | 28.09 | 1.88 | 58    | 85   | 23.88 | 2.2  | 59    | 84  | 23.63 | 2.2 | 68    | 73  | 20.57 | 2.6 | 72    | 68  | 19.27 | 2.7 | 82    | 60  | 17.03 | 3.1 | 97    | 51  | 14.33 | 3.7 | 108   | 46  | 12.87 | 4.1 | 125   | 39  | 11.08 | 4.5 | 133   | 37  | 10.42 | 4.7 | 155   | 32  | 8.97  | 5.2 | 174  | 28  | 8.01 | 5.6 | 185  | 27  | 7.51 | 5.1 | 204  | 24  | 6.81 | 5.4 | 227  | 22  | 6.11 | 5.8 | 264  | 19  | 5.27 | 6.3 | 281  | 18  | 4.95 | 6.4 | 326  | 15  | 4.26 | 6.8 | 365  | 14  | 3.81          | 7.3 | <b>0.75kW</b> |     |               |     |               |  | <b>0.75kW</b> |  |               |  |               |     | 6.2    | 802  | 225.79 | 1.76 | F 77   | 4    |        |      |      |   | 0.50 | 12731 | 2776 | 1.33 |          |   |          |     | F 157R97 | 4   | 7.0      | 704 | 198.31 | 2.0 | 7.4    | 669 | 188.40 | 2.1 | 8.3    | 591 | 166.47 | 2.4 | 9.8    | 505 | 142.27 | 2.8 | 11     | 463 | 130.42 | 3.0 | 12     | 407 | 114.45 | 3.5 | 13     | 385 | 108.46 | 3.7 | 15     | 337   | 94.93 | 4.2   |          |   | 0.47  | 13699 |          |      | 2987 | 0.82  | F 127R77 | 4    | 0.52 | 12350 | 2693     | 0.91 | 0.59 | 10896 | 2376 | 1.04 | 0.68 | 9420  | 2054 | 1.20 | 0.77 | 8246 | 1798   | 1.37 |      |   | 0.86 | 7425 | 1619   | 1.52 |          |   |      |     | 7.1    | 694  | 195.39 | 1.11 |          |      | F 67 | 4   | 0.76   | 8374 | 1826   | 0.88 | F 107R77 | 4    | 8.1  | 607 | 170.85 | 1.27 | 8.6  | 577  | 162.31   | 1.34 | 9.8 | 506 | 142.40 | 1.52 | 12  | 429 | 120.79 | 1.80 | 13   | 387  | 109.04 | 2.0  |         |   | 14   | 341  | 95.94  | 2.3  | 15   | 322  | 90.59  | 2.4  |         |      | 18   | 277  | 77.97 | 2.8  | 0.88 | 7241 | 1597  | 1.02 | F 97R57 | 4    | 0.99 | 6425 | 1401   | 1.15 |      |   | 1.1  | 5700 | 1243 | 1.29 | 1.3     | 4985 | 1087   | 1.48 | 1.5    | 4357 |        |      | 950 | 1.69 | 1.7    | 3825 | 834 | 1.93 | 8.8    | 558  | 157.09 | 1.01 | F 57   | 4    | 2.2 | 2875 | 627    | 2.6  | 10  | 484  | 136.16 | 1.17 | 11     | 452  | 127.27 | 1.25 | 13  | 391  | 110.01 | 1.44 |      |   | 15  | 332  | 93.47  | 1.70 | 17  | 296  | 83.46  | 1.90 | 19  | 260  | 73.16  | 2.2  |      |      | 20  | 243  | 68.38 | 2.3  | 24  | 210  | 59.10 | 2.7  | 1.3 | 4733 | 1032  | 0.85 | F 47 | 4    | 1.5 | 4160 | 907   | 0.97 | 1.7 | 3651 | 796    | 1.1  |  |  | 2.0 | 3210 | 700   | 1.3  | 2.3  | 2802 | 611   | 1.4  | 2.6 | 2449 | 534   | 1.7  | 2.9    | 2165 |  |  | 472 | 1.9  | 3.4   | 1880 | 410 | 2.1  | 3.8   | 1683 | 367 | 2.4  | 13    | 371  | 104.33 | 1.01 |  |  | 16  | 315 | 88.65 | 1.19 | 18  | 281 | 79.15 | 1.34 | 21  | 240 | 67.61 | 1.57 |        |      |  |  |    |     |       |      |    |     |       |      |
| 4.4           | 1056       | 314      | 1.34                   |             |         | 24            | 207        | 58.32    | 0.91                   |             |         |     |      | 25    | 199  |     |      | 56.09 | 1.89 |    |     | 29    | 169  |  |  | 47.66 | 2.2  | 33    | 151  | 42.55 | 2.5 | 27    | 184 | 51.70 | 1.02 | 30    | 167  | 47.02 | 1.13 | 32    | 156  | 43.83 | 1.21 | 36    | 136  | 38.31 | 1.38 | 39    | 128  | 35.91 | 1.47 | 44    | 113  | 31.69 | 1.67 | 49    | 100  | 28.09 | 1.88 | 58    | 85   | 23.88 | 2.2  | 59    | 84   | 23.63 | 2.2 | 68    | 73  | 20.57 | 2.6 | 72    | 68  | 19.27 | 2.7 | 82    | 60  | 17.03 | 3.1 | 97    | 51  | 14.33 | 3.7 | 108   | 46  | 12.87 | 4.1 | 125   | 39  | 11.08 | 4.5 | 133   | 37  | 10.42 | 4.7 | 155   | 32  | 8.97  | 5.2 | 174   | 28  | 8.01 | 5.6 | 185  | 27  | 7.51 | 5.1 | 204  | 24  | 6.81 | 5.4 | 227  | 22  | 6.11 | 5.8 | 264  | 19  | 5.27 | 6.3 | 281  | 18  | 4.95 | 6.4 | 326  | 15  | 4.26 | 6.8 | 365  | 14  | 3.81 | 7.3 | <b>0.75kW</b> |     |               |     |               |     | <b>0.75kW</b> |  |               |  |               |  | 6.2           | 802 | 225.79 | 1.76 | F 77   | 4    |        |      |        |      |      |   | 0.50 | 12731 | 2776 | 1.33 |          |   |          |     |          |     | F 157R97 | 4   | 7.0    | 704 | 198.31 | 2.0 | 7.4    | 669 | 188.40 | 2.1 | 8.3    | 591 | 166.47 | 2.4 | 9.8    | 505 | 142.27 | 2.8 | 11     | 463 | 130.42 | 3.0 | 12     | 407 | 114.45 | 3.5 | 13     | 385 | 108.46 | 3.7   | 15    | 337   |          |   | 94.93 | 4.2   |          |      | 0.47 | 13699 |          |      | 2987 | 0.82  | F 127R77 | 4    | 0.52 | 12350 | 2693 | 0.91 | 0.59 | 10896 | 2376 | 1.04 | 0.68 | 9420 | 2054   | 1.20 |      |   | 0.77 | 8246 | 1798   | 1.37 |          |   |      |     | 0.86   | 7425 | 1619   | 1.52 |          |      |      |     | 7.1    | 694  | 195.39 | 1.11 |          |      | F 67 | 4   | 0.76   | 8374 | 1826 | 0.88 | F 107R77 | 4    | 8.1 | 607 | 170.85 | 1.27 | 8.6 | 577 | 162.31 | 1.34 | 9.8  | 506  | 142.40 | 1.52 |         |   | 12   | 429  | 120.79 | 1.80 | 13   | 387  | 109.04 | 2.0  |         |      | 14   | 341  | 95.94 | 2.3  | 15   | 322  | 90.59 | 2.4  |         |      | 18   | 277  | 77.97  | 2.8  |      |   | 0.88 | 7241 | 1597 | 1.02 | F 97R57 | 4    | 0.99   | 6425 | 1401   | 1.15 |        |      | 1.1 | 5700 | 1243   | 1.29 | 1.3 | 4985 | 1087   | 1.48 | 1.5    | 4357 |        |      | 950 | 1.69 | 1.7    | 3825 | 834 | 1.93 | 8.8    | 558  | 157.09 | 1.01 | F 57   | 4    | 2.2 | 2875 | 627    | 2.6  |      |   | 10  | 484  | 136.16 | 1.17 | 11  | 452  | 127.27 | 1.25 | 13  | 391  | 110.01 | 1.44 |      |      | 15  | 332  | 93.47 | 1.70 | 17  | 296  | 83.46 | 1.90 | 19  | 260  | 73.16 | 2.2  |      |      | 20  | 243  | 68.38 | 2.3  | 24  | 210  | 59.10  | 2.7  |  |  | 1.3 | 4733 | 1032  | 0.85 | F 47 | 4    | 1.5   | 4160 | 907 | 0.97 | 1.7   | 3651 | 796    | 1.1  |  |  | 2.0 | 3210 | 700   | 1.3  | 2.3 | 2802 | 611   | 1.4  | 2.6 | 2449 | 534   | 1.7  | 2.9    | 2165 |  |  | 472 | 1.9 | 3.4   | 1880 | 410 | 2.1 | 3.8   | 1683 | 367 | 2.4 | 13    | 371  | 104.33 | 1.01 |  |  | 16 | 315 | 88.65 | 1.19 | 18 | 281 | 79.15 | 1.34 |
| 24            | 207        | 58.32    | 0.91                   |             |         |               |            |          |                        |             |         |     |      |       |      |     |      |       |      |    |     |       |      |  |  |       |      |       |      |       |     |       |     |       |      |       |      |       |      |       |      |       |      |       |      |       |      |       |      |       |      |       |      |       |      |       |      |       |      |       |      |       |      |       |      |       |     |       |     |       |     |       |     |       |     |       |     |       |     |       |     |       |     |       |     |       |     |       |     |       |     |       |     |       |     |       |     |       |     |       |     |      |     |      |     |      |     |      |     |      |     |      |     |      |     |      |     |      |     |      |     |      |     |      |     |      |     |      |     |      |     |               |     |               |     |               |     |               |  |               |  |               |  |               |     |        |      |        |      |        |      |        |      |      |   |      |       |      |      |          |   |          |     |          |     |          |     |        |     |        |     |        |     |        |     |        |     |        |     |        |     |        |     |        |     |        |     |        |     |        |     |        |     |        |       |       |       |          |   |       |       |          |      |      |       |          |      |      |       |          |      |      |       |      |      |      |       |      |      |      |      |        |      |      |   |      |      |        |      |          |   |      |     |        |      |        |      |          |      |      |     |        |      |        |      |          |      |      |     |        |      |      |      |          |      |     |     |        |      |     |     |        |      |      |      |        |      |         |   |      |      |        |      |      |      |        |      |         |      |      |      |       |      |      |      |       |      |         |      |      |      |        |      |      |   |      |      |      |      |         |      |        |      |        |      |        |      |     |      |        |      |     |      |        |      |        |      |        |      |     |      |        |      |     |      |        |      |        |      |        |      |     |      |        |      |      |   |     |      |        |      |     |      |        |      |     |      |        |      |      |      |     |      |       |      |     |      |       |      |     |      |       |      |      |      |     |      |       |      |     |      |        |      |  |  |     |      |       |      |      |      |       |      |     |      |       |      |        |      |  |  |     |      |       |      |     |      |       |      |     |      |       |      |        |      |  |  |     |     |       |      |     |     |       |      |     |     |       |      |        |      |  |  |    |     |       |      |    |     |       |      |
| 25            | 199        | 56.09    | 1.89                   |             |         |               |            |          |                        |             |         |     |      |       |      |     |      |       |      |    |     |       |      |  |  |       |      |       |      |       |     |       |     |       |      |       |      |       |      |       |      |       |      |       |      |       |      |       |      |       |      |       |      |       |      |       |      |       |      |       |      |       |      |       |      |       |     |       |     |       |     |       |     |       |     |       |     |       |     |       |     |       |     |       |     |       |     |       |     |       |     |       |     |       |     |       |     |       |     |       |     |      |     |      |     |      |     |      |     |      |     |      |     |      |     |      |     |      |     |      |     |      |     |      |     |      |     |      |     |      |     |               |     |               |     |               |     |               |  |               |  |               |  |               |     |        |      |        |      |        |      |        |      |      |   |      |       |      |      |          |   |          |     |          |     |          |     |        |     |        |     |        |     |        |     |        |     |        |     |        |     |        |     |        |     |        |     |        |     |        |     |        |     |        |       |       |       |          |   |       |       |          |      |      |       |          |      |      |       |          |      |      |       |      |      |      |       |      |      |      |      |        |      |      |   |      |      |        |      |          |   |      |     |        |      |        |      |          |      |      |     |        |      |        |      |          |      |      |     |        |      |      |      |          |      |     |     |        |      |     |     |        |      |      |      |        |      |         |   |      |      |        |      |      |      |        |      |         |      |      |      |       |      |      |      |       |      |         |      |      |      |        |      |      |   |      |      |      |      |         |      |        |      |        |      |        |      |     |      |        |      |     |      |        |      |        |      |        |      |     |      |        |      |     |      |        |      |        |      |        |      |     |      |        |      |      |   |     |      |        |      |     |      |        |      |     |      |        |      |      |      |     |      |       |      |     |      |       |      |     |      |       |      |      |      |     |      |       |      |     |      |        |      |  |  |     |      |       |      |      |      |       |      |     |      |       |      |        |      |  |  |     |      |       |      |     |      |       |      |     |      |       |      |        |      |  |  |     |     |       |      |     |     |       |      |     |     |       |      |        |      |  |  |    |     |       |      |    |     |       |      |
| 29            | 169        | 47.66    | 2.2                    |             |         |               |            |          |                        |             |         |     |      |       |      |     |      |       |      |    |     |       |      |  |  |       |      |       |      |       |     |       |     |       |      |       |      |       |      |       |      |       |      |       |      |       |      |       |      |       |      |       |      |       |      |       |      |       |      |       |      |       |      |       |      |       |     |       |     |       |     |       |     |       |     |       |     |       |     |       |     |       |     |       |     |       |     |       |     |       |     |       |     |       |     |       |     |       |     |       |     |      |     |      |     |      |     |      |     |      |     |      |     |      |     |      |     |      |     |      |     |      |     |      |     |      |     |      |     |      |     |               |     |               |     |               |     |               |  |               |  |               |  |               |     |        |      |        |      |        |      |        |      |      |   |      |       |      |      |          |   |          |     |          |     |          |     |        |     |        |     |        |     |        |     |        |     |        |     |        |     |        |     |        |     |        |     |        |     |        |     |        |     |        |       |       |       |          |   |       |       |          |      |      |       |          |      |      |       |          |      |      |       |      |      |      |       |      |      |      |      |        |      |      |   |      |      |        |      |          |   |      |     |        |      |        |      |          |      |      |     |        |      |        |      |          |      |      |     |        |      |      |      |          |      |     |     |        |      |     |     |        |      |      |      |        |      |         |   |      |      |        |      |      |      |        |      |         |      |      |      |       |      |      |      |       |      |         |      |      |      |        |      |      |   |      |      |      |      |         |      |        |      |        |      |        |      |     |      |        |      |     |      |        |      |        |      |        |      |     |      |        |      |     |      |        |      |        |      |        |      |     |      |        |      |      |   |     |      |        |      |     |      |        |      |     |      |        |      |      |      |     |      |       |      |     |      |       |      |     |      |       |      |      |      |     |      |       |      |     |      |        |      |  |  |     |      |       |      |      |      |       |      |     |      |       |      |        |      |  |  |     |      |       |      |     |      |       |      |     |      |       |      |        |      |  |  |     |     |       |      |     |     |       |      |     |     |       |      |        |      |  |  |    |     |       |      |    |     |       |      |
| 33            | 151        | 42.55    | 2.5                    |             |         |               |            |          |                        |             |         |     |      |       |      |     |      |       |      |    |     |       |      |  |  |       |      |       |      |       |     |       |     |       |      |       |      |       |      |       |      |       |      |       |      |       |      |       |      |       |      |       |      |       |      |       |      |       |      |       |      |       |      |       |      |       |     |       |     |       |     |       |     |       |     |       |     |       |     |       |     |       |     |       |     |       |     |       |     |       |     |       |     |       |     |       |     |       |     |       |     |      |     |      |     |      |     |      |     |      |     |      |     |      |     |      |     |      |     |      |     |      |     |      |     |      |     |      |     |      |     |               |     |               |     |               |     |               |  |               |  |               |  |               |     |        |      |        |      |        |      |        |      |      |   |      |       |      |      |          |   |          |     |          |     |          |     |        |     |        |     |        |     |        |     |        |     |        |     |        |     |        |     |        |     |        |     |        |     |        |     |        |     |        |       |       |       |          |   |       |       |          |      |      |       |          |      |      |       |          |      |      |       |      |      |      |       |      |      |      |      |        |      |      |   |      |      |        |      |          |   |      |     |        |      |        |      |          |      |      |     |        |      |        |      |          |      |      |     |        |      |      |      |          |      |     |     |        |      |     |     |        |      |      |      |        |      |         |   |      |      |        |      |      |      |        |      |         |      |      |      |       |      |      |      |       |      |         |      |      |      |        |      |      |   |      |      |      |      |         |      |        |      |        |      |        |      |     |      |        |      |     |      |        |      |        |      |        |      |     |      |        |      |     |      |        |      |        |      |        |      |     |      |        |      |      |   |     |      |        |      |     |      |        |      |     |      |        |      |      |      |     |      |       |      |     |      |       |      |     |      |       |      |      |      |     |      |       |      |     |      |        |      |  |  |     |      |       |      |      |      |       |      |     |      |       |      |        |      |  |  |     |      |       |      |     |      |       |      |     |      |       |      |        |      |  |  |     |     |       |      |     |     |       |      |     |     |       |      |        |      |  |  |    |     |       |      |    |     |       |      |
| 27            | 184        | 51.70    | 1.02                   |             |         |               |            |          |                        |             |         |     |      |       |      |     |      |       |      |    |     |       |      |  |  |       |      |       |      |       |     |       |     |       |      |       |      |       |      |       |      |       |      |       |      |       |      |       |      |       |      |       |      |       |      |       |      |       |      |       |      |       |      |       |      |       |     |       |     |       |     |       |     |       |     |       |     |       |     |       |     |       |     |       |     |       |     |       |     |       |     |       |     |       |     |       |     |       |     |       |     |      |     |      |     |      |     |      |     |      |     |      |     |      |     |      |     |      |     |      |     |      |     |      |     |      |     |      |     |      |     |               |     |               |     |               |     |               |  |               |  |               |  |               |     |        |      |        |      |        |      |        |      |      |   |      |       |      |      |          |   |          |     |          |     |          |     |        |     |        |     |        |     |        |     |        |     |        |     |        |     |        |     |        |     |        |     |        |     |        |     |        |     |        |       |       |       |          |   |       |       |          |      |      |       |          |      |      |       |          |      |      |       |      |      |      |       |      |      |      |      |        |      |      |   |      |      |        |      |          |   |      |     |        |      |        |      |          |      |      |     |        |      |        |      |          |      |      |     |        |      |      |      |          |      |     |     |        |      |     |     |        |      |      |      |        |      |         |   |      |      |        |      |      |      |        |      |         |      |      |      |       |      |      |      |       |      |         |      |      |      |        |      |      |   |      |      |      |      |         |      |        |      |        |      |        |      |     |      |        |      |     |      |        |      |        |      |        |      |     |      |        |      |     |      |        |      |        |      |        |      |     |      |        |      |      |   |     |      |        |      |     |      |        |      |     |      |        |      |      |      |     |      |       |      |     |      |       |      |     |      |       |      |      |      |     |      |       |      |     |      |        |      |  |  |     |      |       |      |      |      |       |      |     |      |       |      |        |      |  |  |     |      |       |      |     |      |       |      |     |      |       |      |        |      |  |  |     |     |       |      |     |     |       |      |     |     |       |      |        |      |  |  |    |     |       |      |    |     |       |      |
| 30            | 167        | 47.02    | 1.13                   |             |         |               |            |          |                        |             |         |     |      |       |      |     |      |       |      |    |     |       |      |  |  |       |      |       |      |       |     |       |     |       |      |       |      |       |      |       |      |       |      |       |      |       |      |       |      |       |      |       |      |       |      |       |      |       |      |       |      |       |      |       |      |       |     |       |     |       |     |       |     |       |     |       |     |       |     |       |     |       |     |       |     |       |     |       |     |       |     |       |     |       |     |       |     |       |     |       |     |      |     |      |     |      |     |      |     |      |     |      |     |      |     |      |     |      |     |      |     |      |     |      |     |      |     |      |     |      |     |               |     |               |     |               |     |               |  |               |  |               |  |               |     |        |      |        |      |        |      |        |      |      |   |      |       |      |      |          |   |          |     |          |     |          |     |        |     |        |     |        |     |        |     |        |     |        |     |        |     |        |     |        |     |        |     |        |     |        |     |        |     |        |       |       |       |          |   |       |       |          |      |      |       |          |      |      |       |          |      |      |       |      |      |      |       |      |      |      |      |        |      |      |   |      |      |        |      |          |   |      |     |        |      |        |      |          |      |      |     |        |      |        |      |          |      |      |     |        |      |      |      |          |      |     |     |        |      |     |     |        |      |      |      |        |      |         |   |      |      |        |      |      |      |        |      |         |      |      |      |       |      |      |      |       |      |         |      |      |      |        |      |      |   |      |      |      |      |         |      |        |      |        |      |        |      |     |      |        |      |     |      |        |      |        |      |        |      |     |      |        |      |     |      |        |      |        |      |        |      |     |      |        |      |      |   |     |      |        |      |     |      |        |      |     |      |        |      |      |      |     |      |       |      |     |      |       |      |     |      |       |      |      |      |     |      |       |      |     |      |        |      |  |  |     |      |       |      |      |      |       |      |     |      |       |      |        |      |  |  |     |      |       |      |     |      |       |      |     |      |       |      |        |      |  |  |     |     |       |      |     |     |       |      |     |     |       |      |        |      |  |  |    |     |       |      |    |     |       |      |
| 32            | 156        | 43.83    | 1.21                   |             |         |               |            |          |                        |             |         |     |      |       |      |     |      |       |      |    |     |       |      |  |  |       |      |       |      |       |     |       |     |       |      |       |      |       |      |       |      |       |      |       |      |       |      |       |      |       |      |       |      |       |      |       |      |       |      |       |      |       |      |       |      |       |     |       |     |       |     |       |     |       |     |       |     |       |     |       |     |       |     |       |     |       |     |       |     |       |     |       |     |       |     |       |     |       |     |       |     |      |     |      |     |      |     |      |     |      |     |      |     |      |     |      |     |      |     |      |     |      |     |      |     |      |     |      |     |      |     |               |     |               |     |               |     |               |  |               |  |               |  |               |     |        |      |        |      |        |      |        |      |      |   |      |       |      |      |          |   |          |     |          |     |          |     |        |     |        |     |        |     |        |     |        |     |        |     |        |     |        |     |        |     |        |     |        |     |        |     |        |     |        |       |       |       |          |   |       |       |          |      |      |       |          |      |      |       |          |      |      |       |      |      |      |       |      |      |      |      |        |      |      |   |      |      |        |      |          |   |      |     |        |      |        |      |          |      |      |     |        |      |        |      |          |      |      |     |        |      |      |      |          |      |     |     |        |      |     |     |        |      |      |      |        |      |         |   |      |      |        |      |      |      |        |      |         |      |      |      |       |      |      |      |       |      |         |      |      |      |        |      |      |   |      |      |      |      |         |      |        |      |        |      |        |      |     |      |        |      |     |      |        |      |        |      |        |      |     |      |        |      |     |      |        |      |        |      |        |      |     |      |        |      |      |   |     |      |        |      |     |      |        |      |     |      |        |      |      |      |     |      |       |      |     |      |       |      |     |      |       |      |      |      |     |      |       |      |     |      |        |      |  |  |     |      |       |      |      |      |       |      |     |      |       |      |        |      |  |  |     |      |       |      |     |      |       |      |     |      |       |      |        |      |  |  |     |     |       |      |     |     |       |      |     |     |       |      |        |      |  |  |    |     |       |      |    |     |       |      |
| 36            | 136        | 38.31    | 1.38                   |             |         |               |            |          |                        |             |         |     |      |       |      |     |      |       |      |    |     |       |      |  |  |       |      |       |      |       |     |       |     |       |      |       |      |       |      |       |      |       |      |       |      |       |      |       |      |       |      |       |      |       |      |       |      |       |      |       |      |       |      |       |      |       |     |       |     |       |     |       |     |       |     |       |     |       |     |       |     |       |     |       |     |       |     |       |     |       |     |       |     |       |     |       |     |       |     |       |     |      |     |      |     |      |     |      |     |      |     |      |     |      |     |      |     |      |     |      |     |      |     |      |     |      |     |      |     |      |     |               |     |               |     |               |     |               |  |               |  |               |  |               |     |        |      |        |      |        |      |        |      |      |   |      |       |      |      |          |   |          |     |          |     |          |     |        |     |        |     |        |     |        |     |        |     |        |     |        |     |        |     |        |     |        |     |        |     |        |     |        |     |        |       |       |       |          |   |       |       |          |      |      |       |          |      |      |       |          |      |      |       |      |      |      |       |      |      |      |      |        |      |      |   |      |      |        |      |          |   |      |     |        |      |        |      |          |      |      |     |        |      |        |      |          |      |      |     |        |      |      |      |          |      |     |     |        |      |     |     |        |      |      |      |        |      |         |   |      |      |        |      |      |      |        |      |         |      |      |      |       |      |      |      |       |      |         |      |      |      |        |      |      |   |      |      |      |      |         |      |        |      |        |      |        |      |     |      |        |      |     |      |        |      |        |      |        |      |     |      |        |      |     |      |        |      |        |      |        |      |     |      |        |      |      |   |     |      |        |      |     |      |        |      |     |      |        |      |      |      |     |      |       |      |     |      |       |      |     |      |       |      |      |      |     |      |       |      |     |      |        |      |  |  |     |      |       |      |      |      |       |      |     |      |       |      |        |      |  |  |     |      |       |      |     |      |       |      |     |      |       |      |        |      |  |  |     |     |       |      |     |     |       |      |     |     |       |      |        |      |  |  |    |     |       |      |    |     |       |      |
| 39            | 128        | 35.91    | 1.47                   |             |         |               |            |          |                        |             |         |     |      |       |      |     |      |       |      |    |     |       |      |  |  |       |      |       |      |       |     |       |     |       |      |       |      |       |      |       |      |       |      |       |      |       |      |       |      |       |      |       |      |       |      |       |      |       |      |       |      |       |      |       |      |       |     |       |     |       |     |       |     |       |     |       |     |       |     |       |     |       |     |       |     |       |     |       |     |       |     |       |     |       |     |       |     |       |     |       |     |      |     |      |     |      |     |      |     |      |     |      |     |      |     |      |     |      |     |      |     |      |     |      |     |      |     |      |     |      |     |               |     |               |     |               |     |               |  |               |  |               |  |               |     |        |      |        |      |        |      |        |      |      |   |      |       |      |      |          |   |          |     |          |     |          |     |        |     |        |     |        |     |        |     |        |     |        |     |        |     |        |     |        |     |        |     |        |     |        |     |        |     |        |       |       |       |          |   |       |       |          |      |      |       |          |      |      |       |          |      |      |       |      |      |      |       |      |      |      |      |        |      |      |   |      |      |        |      |          |   |      |     |        |      |        |      |          |      |      |     |        |      |        |      |          |      |      |     |        |      |      |      |          |      |     |     |        |      |     |     |        |      |      |      |        |      |         |   |      |      |        |      |      |      |        |      |         |      |      |      |       |      |      |      |       |      |         |      |      |      |        |      |      |   |      |      |      |      |         |      |        |      |        |      |        |      |     |      |        |      |     |      |        |      |        |      |        |      |     |      |        |      |     |      |        |      |        |      |        |      |     |      |        |      |      |   |     |      |        |      |     |      |        |      |     |      |        |      |      |      |     |      |       |      |     |      |       |      |     |      |       |      |      |      |     |      |       |      |     |      |        |      |  |  |     |      |       |      |      |      |       |      |     |      |       |      |        |      |  |  |     |      |       |      |     |      |       |      |     |      |       |      |        |      |  |  |     |     |       |      |     |     |       |      |     |     |       |      |        |      |  |  |    |     |       |      |    |     |       |      |
| 44            | 113        | 31.69    | 1.67                   |             |         |               |            |          |                        |             |         |     |      |       |      |     |      |       |      |    |     |       |      |  |  |       |      |       |      |       |     |       |     |       |      |       |      |       |      |       |      |       |      |       |      |       |      |       |      |       |      |       |      |       |      |       |      |       |      |       |      |       |      |       |      |       |     |       |     |       |     |       |     |       |     |       |     |       |     |       |     |       |     |       |     |       |     |       |     |       |     |       |     |       |     |       |     |       |     |       |     |      |     |      |     |      |     |      |     |      |     |      |     |      |     |      |     |      |     |      |     |      |     |      |     |      |     |      |     |      |     |               |     |               |     |               |     |               |  |               |  |               |  |               |     |        |      |        |      |        |      |        |      |      |   |      |       |      |      |          |   |          |     |          |     |          |     |        |     |        |     |        |     |        |     |        |     |        |     |        |     |        |     |        |     |        |     |        |     |        |     |        |     |        |       |       |       |          |   |       |       |          |      |      |       |          |      |      |       |          |      |      |       |      |      |      |       |      |      |      |      |        |      |      |   |      |      |        |      |          |   |      |     |        |      |        |      |          |      |      |     |        |      |        |      |          |      |      |     |        |      |      |      |          |      |     |     |        |      |     |     |        |      |      |      |        |      |         |   |      |      |        |      |      |      |        |      |         |      |      |      |       |      |      |      |       |      |         |      |      |      |        |      |      |   |      |      |      |      |         |      |        |      |        |      |        |      |     |      |        |      |     |      |        |      |        |      |        |      |     |      |        |      |     |      |        |      |        |      |        |      |     |      |        |      |      |   |     |      |        |      |     |      |        |      |     |      |        |      |      |      |     |      |       |      |     |      |       |      |     |      |       |      |      |      |     |      |       |      |     |      |        |      |  |  |     |      |       |      |      |      |       |      |     |      |       |      |        |      |  |  |     |      |       |      |     |      |       |      |     |      |       |      |        |      |  |  |     |     |       |      |     |     |       |      |     |     |       |      |        |      |  |  |    |     |       |      |    |     |       |      |
| 49            | 100        | 28.09    | 1.88                   |             |         |               |            |          |                        |             |         |     |      |       |      |     |      |       |      |    |     |       |      |  |  |       |      |       |      |       |     |       |     |       |      |       |      |       |      |       |      |       |      |       |      |       |      |       |      |       |      |       |      |       |      |       |      |       |      |       |      |       |      |       |      |       |     |       |     |       |     |       |     |       |     |       |     |       |     |       |     |       |     |       |     |       |     |       |     |       |     |       |     |       |     |       |     |       |     |       |     |      |     |      |     |      |     |      |     |      |     |      |     |      |     |      |     |      |     |      |     |      |     |      |     |      |     |      |     |      |     |               |     |               |     |               |     |               |  |               |  |               |  |               |     |        |      |        |      |        |      |        |      |      |   |      |       |      |      |          |   |          |     |          |     |          |     |        |     |        |     |        |     |        |     |        |     |        |     |        |     |        |     |        |     |        |     |        |     |        |     |        |     |        |       |       |       |          |   |       |       |          |      |      |       |          |      |      |       |          |      |      |       |      |      |      |       |      |      |      |      |        |      |      |   |      |      |        |      |          |   |      |     |        |      |        |      |          |      |      |     |        |      |        |      |          |      |      |     |        |      |      |      |          |      |     |     |        |      |     |     |        |      |      |      |        |      |         |   |      |      |        |      |      |      |        |      |         |      |      |      |       |      |      |      |       |      |         |      |      |      |        |      |      |   |      |      |      |      |         |      |        |      |        |      |        |      |     |      |        |      |     |      |        |      |        |      |        |      |     |      |        |      |     |      |        |      |        |      |        |      |     |      |        |      |      |   |     |      |        |      |     |      |        |      |     |      |        |      |      |      |     |      |       |      |     |      |       |      |     |      |       |      |      |      |     |      |       |      |     |      |        |      |  |  |     |      |       |      |      |      |       |      |     |      |       |      |        |      |  |  |     |      |       |      |     |      |       |      |     |      |       |      |        |      |  |  |     |     |       |      |     |     |       |      |     |     |       |      |        |      |  |  |    |     |       |      |    |     |       |      |
| 58            | 85         | 23.88    | 2.2                    |             |         |               |            |          |                        |             |         |     |      |       |      |     |      |       |      |    |     |       |      |  |  |       |      |       |      |       |     |       |     |       |      |       |      |       |      |       |      |       |      |       |      |       |      |       |      |       |      |       |      |       |      |       |      |       |      |       |      |       |      |       |      |       |     |       |     |       |     |       |     |       |     |       |     |       |     |       |     |       |     |       |     |       |     |       |     |       |     |       |     |       |     |       |     |       |     |       |     |      |     |      |     |      |     |      |     |      |     |      |     |      |     |      |     |      |     |      |     |      |     |      |     |      |     |      |     |      |     |               |     |               |     |               |     |               |  |               |  |               |  |               |     |        |      |        |      |        |      |        |      |      |   |      |       |      |      |          |   |          |     |          |     |          |     |        |     |        |     |        |     |        |     |        |     |        |     |        |     |        |     |        |     |        |     |        |     |        |     |        |     |        |       |       |       |          |   |       |       |          |      |      |       |          |      |      |       |          |      |      |       |      |      |      |       |      |      |      |      |        |      |      |   |      |      |        |      |          |   |      |     |        |      |        |      |          |      |      |     |        |      |        |      |          |      |      |     |        |      |      |      |          |      |     |     |        |      |     |     |        |      |      |      |        |      |         |   |      |      |        |      |      |      |        |      |         |      |      |      |       |      |      |      |       |      |         |      |      |      |        |      |      |   |      |      |      |      |         |      |        |      |        |      |        |      |     |      |        |      |     |      |        |      |        |      |        |      |     |      |        |      |     |      |        |      |        |      |        |      |     |      |        |      |      |   |     |      |        |      |     |      |        |      |     |      |        |      |      |      |     |      |       |      |     |      |       |      |     |      |       |      |      |      |     |      |       |      |     |      |        |      |  |  |     |      |       |      |      |      |       |      |     |      |       |      |        |      |  |  |     |      |       |      |     |      |       |      |     |      |       |      |        |      |  |  |     |     |       |      |     |     |       |      |     |     |       |      |        |      |  |  |    |     |       |      |    |     |       |      |
| 59            | 84         | 23.63    | 2.2                    |             |         |               |            |          |                        |             |         |     |      |       |      |     |      |       |      |    |     |       |      |  |  |       |      |       |      |       |     |       |     |       |      |       |      |       |      |       |      |       |      |       |      |       |      |       |      |       |      |       |      |       |      |       |      |       |      |       |      |       |      |       |      |       |     |       |     |       |     |       |     |       |     |       |     |       |     |       |     |       |     |       |     |       |     |       |     |       |     |       |     |       |     |       |     |       |     |       |     |      |     |      |     |      |     |      |     |      |     |      |     |      |     |      |     |      |     |      |     |      |     |      |     |      |     |      |     |      |     |               |     |               |     |               |     |               |  |               |  |               |  |               |     |        |      |        |      |        |      |        |      |      |   |      |       |      |      |          |   |          |     |          |     |          |     |        |     |        |     |        |     |        |     |        |     |        |     |        |     |        |     |        |     |        |     |        |     |        |     |        |     |        |       |       |       |          |   |       |       |          |      |      |       |          |      |      |       |          |      |      |       |      |      |      |       |      |      |      |      |        |      |      |   |      |      |        |      |          |   |      |     |        |      |        |      |          |      |      |     |        |      |        |      |          |      |      |     |        |      |      |      |          |      |     |     |        |      |     |     |        |      |      |      |        |      |         |   |      |      |        |      |      |      |        |      |         |      |      |      |       |      |      |      |       |      |         |      |      |      |        |      |      |   |      |      |      |      |         |      |        |      |        |      |        |      |     |      |        |      |     |      |        |      |        |      |        |      |     |      |        |      |     |      |        |      |        |      |        |      |     |      |        |      |      |   |     |      |        |      |     |      |        |      |     |      |        |      |      |      |     |      |       |      |     |      |       |      |     |      |       |      |      |      |     |      |       |      |     |      |        |      |  |  |     |      |       |      |      |      |       |      |     |      |       |      |        |      |  |  |     |      |       |      |     |      |       |      |     |      |       |      |        |      |  |  |     |     |       |      |     |     |       |      |     |     |       |      |        |      |  |  |    |     |       |      |    |     |       |      |
| 68            | 73         | 20.57    | 2.6                    |             |         |               |            |          |                        |             |         |     |      |       |      |     |      |       |      |    |     |       |      |  |  |       |      |       |      |       |     |       |     |       |      |       |      |       |      |       |      |       |      |       |      |       |      |       |      |       |      |       |      |       |      |       |      |       |      |       |      |       |      |       |      |       |     |       |     |       |     |       |     |       |     |       |     |       |     |       |     |       |     |       |     |       |     |       |     |       |     |       |     |       |     |       |     |       |     |       |     |      |     |      |     |      |     |      |     |      |     |      |     |      |     |      |     |      |     |      |     |      |     |      |     |      |     |      |     |      |     |               |     |               |     |               |     |               |  |               |  |               |  |               |     |        |      |        |      |        |      |        |      |      |   |      |       |      |      |          |   |          |     |          |     |          |     |        |     |        |     |        |     |        |     |        |     |        |     |        |     |        |     |        |     |        |     |        |     |        |     |        |     |        |       |       |       |          |   |       |       |          |      |      |       |          |      |      |       |          |      |      |       |      |      |      |       |      |      |      |      |        |      |      |   |      |      |        |      |          |   |      |     |        |      |        |      |          |      |      |     |        |      |        |      |          |      |      |     |        |      |      |      |          |      |     |     |        |      |     |     |        |      |      |      |        |      |         |   |      |      |        |      |      |      |        |      |         |      |      |      |       |      |      |      |       |      |         |      |      |      |        |      |      |   |      |      |      |      |         |      |        |      |        |      |        |      |     |      |        |      |     |      |        |      |        |      |        |      |     |      |        |      |     |      |        |      |        |      |        |      |     |      |        |      |      |   |     |      |        |      |     |      |        |      |     |      |        |      |      |      |     |      |       |      |     |      |       |      |     |      |       |      |      |      |     |      |       |      |     |      |        |      |  |  |     |      |       |      |      |      |       |      |     |      |       |      |        |      |  |  |     |      |       |      |     |      |       |      |     |      |       |      |        |      |  |  |     |     |       |      |     |     |       |      |     |     |       |      |        |      |  |  |    |     |       |      |    |     |       |      |
| 72            | 68         | 19.27    | 2.7                    |             |         |               |            |          |                        |             |         |     |      |       |      |     |      |       |      |    |     |       |      |  |  |       |      |       |      |       |     |       |     |       |      |       |      |       |      |       |      |       |      |       |      |       |      |       |      |       |      |       |      |       |      |       |      |       |      |       |      |       |      |       |      |       |     |       |     |       |     |       |     |       |     |       |     |       |     |       |     |       |     |       |     |       |     |       |     |       |     |       |     |       |     |       |     |       |     |       |     |      |     |      |     |      |     |      |     |      |     |      |     |      |     |      |     |      |     |      |     |      |     |      |     |      |     |      |     |      |     |               |     |               |     |               |     |               |  |               |  |               |  |               |     |        |      |        |      |        |      |        |      |      |   |      |       |      |      |          |   |          |     |          |     |          |     |        |     |        |     |        |     |        |     |        |     |        |     |        |     |        |     |        |     |        |     |        |     |        |     |        |     |        |       |       |       |          |   |       |       |          |      |      |       |          |      |      |       |          |      |      |       |      |      |      |       |      |      |      |      |        |      |      |   |      |      |        |      |          |   |      |     |        |      |        |      |          |      |      |     |        |      |        |      |          |      |      |     |        |      |      |      |          |      |     |     |        |      |     |     |        |      |      |      |        |      |         |   |      |      |        |      |      |      |        |      |         |      |      |      |       |      |      |      |       |      |         |      |      |      |        |      |      |   |      |      |      |      |         |      |        |      |        |      |        |      |     |      |        |      |     |      |        |      |        |      |        |      |     |      |        |      |     |      |        |      |        |      |        |      |     |      |        |      |      |   |     |      |        |      |     |      |        |      |     |      |        |      |      |      |     |      |       |      |     |      |       |      |     |      |       |      |      |      |     |      |       |      |     |      |        |      |  |  |     |      |       |      |      |      |       |      |     |      |       |      |        |      |  |  |     |      |       |      |     |      |       |      |     |      |       |      |        |      |  |  |     |     |       |      |     |     |       |      |     |     |       |      |        |      |  |  |    |     |       |      |    |     |       |      |
| 82            | 60         | 17.03    | 3.1                    |             |         |               |            |          |                        |             |         |     |      |       |      |     |      |       |      |    |     |       |      |  |  |       |      |       |      |       |     |       |     |       |      |       |      |       |      |       |      |       |      |       |      |       |      |       |      |       |      |       |      |       |      |       |      |       |      |       |      |       |      |       |      |       |     |       |     |       |     |       |     |       |     |       |     |       |     |       |     |       |     |       |     |       |     |       |     |       |     |       |     |       |     |       |     |       |     |       |     |      |     |      |     |      |     |      |     |      |     |      |     |      |     |      |     |      |     |      |     |      |     |      |     |      |     |      |     |      |     |               |     |               |     |               |     |               |  |               |  |               |  |               |     |        |      |        |      |        |      |        |      |      |   |      |       |      |      |          |   |          |     |          |     |          |     |        |     |        |     |        |     |        |     |        |     |        |     |        |     |        |     |        |     |        |     |        |     |        |     |        |     |        |       |       |       |          |   |       |       |          |      |      |       |          |      |      |       |          |      |      |       |      |      |      |       |      |      |      |      |        |      |      |   |      |      |        |      |          |   |      |     |        |      |        |      |          |      |      |     |        |      |        |      |          |      |      |     |        |      |      |      |          |      |     |     |        |      |     |     |        |      |      |      |        |      |         |   |      |      |        |      |      |      |        |      |         |      |      |      |       |      |      |      |       |      |         |      |      |      |        |      |      |   |      |      |      |      |         |      |        |      |        |      |        |      |     |      |        |      |     |      |        |      |        |      |        |      |     |      |        |      |     |      |        |      |        |      |        |      |     |      |        |      |      |   |     |      |        |      |     |      |        |      |     |      |        |      |      |      |     |      |       |      |     |      |       |      |     |      |       |      |      |      |     |      |       |      |     |      |        |      |  |  |     |      |       |      |      |      |       |      |     |      |       |      |        |      |  |  |     |      |       |      |     |      |       |      |     |      |       |      |        |      |  |  |     |     |       |      |     |     |       |      |     |     |       |      |        |      |  |  |    |     |       |      |    |     |       |      |
| 97            | 51         | 14.33    | 3.7                    |             |         |               |            |          |                        |             |         |     |      |       |      |     |      |       |      |    |     |       |      |  |  |       |      |       |      |       |     |       |     |       |      |       |      |       |      |       |      |       |      |       |      |       |      |       |      |       |      |       |      |       |      |       |      |       |      |       |      |       |      |       |      |       |     |       |     |       |     |       |     |       |     |       |     |       |     |       |     |       |     |       |     |       |     |       |     |       |     |       |     |       |     |       |     |       |     |       |     |      |     |      |     |      |     |      |     |      |     |      |     |      |     |      |     |      |     |      |     |      |     |      |     |      |     |      |     |      |     |               |     |               |     |               |     |               |  |               |  |               |  |               |     |        |      |        |      |        |      |        |      |      |   |      |       |      |      |          |   |          |     |          |     |          |     |        |     |        |     |        |     |        |     |        |     |        |     |        |     |        |     |        |     |        |     |        |     |        |     |        |     |        |       |       |       |          |   |       |       |          |      |      |       |          |      |      |       |          |      |      |       |      |      |      |       |      |      |      |      |        |      |      |   |      |      |        |      |          |   |      |     |        |      |        |      |          |      |      |     |        |      |        |      |          |      |      |     |        |      |      |      |          |      |     |     |        |      |     |     |        |      |      |      |        |      |         |   |      |      |        |      |      |      |        |      |         |      |      |      |       |      |      |      |       |      |         |      |      |      |        |      |      |   |      |      |      |      |         |      |        |      |        |      |        |      |     |      |        |      |     |      |        |      |        |      |        |      |     |      |        |      |     |      |        |      |        |      |        |      |     |      |        |      |      |   |     |      |        |      |     |      |        |      |     |      |        |      |      |      |     |      |       |      |     |      |       |      |     |      |       |      |      |      |     |      |       |      |     |      |        |      |  |  |     |      |       |      |      |      |       |      |     |      |       |      |        |      |  |  |     |      |       |      |     |      |       |      |     |      |       |      |        |      |  |  |     |     |       |      |     |     |       |      |     |     |       |      |        |      |  |  |    |     |       |      |    |     |       |      |
| 108           | 46         | 12.87    | 4.1                    |             |         |               |            |          |                        |             |         |     |      |       |      |     |      |       |      |    |     |       |      |  |  |       |      |       |      |       |     |       |     |       |      |       |      |       |      |       |      |       |      |       |      |       |      |       |      |       |      |       |      |       |      |       |      |       |      |       |      |       |      |       |      |       |     |       |     |       |     |       |     |       |     |       |     |       |     |       |     |       |     |       |     |       |     |       |     |       |     |       |     |       |     |       |     |       |     |       |     |      |     |      |     |      |     |      |     |      |     |      |     |      |     |      |     |      |     |      |     |      |     |      |     |      |     |      |     |      |     |               |     |               |     |               |     |               |  |               |  |               |  |               |     |        |      |        |      |        |      |        |      |      |   |      |       |      |      |          |   |          |     |          |     |          |     |        |     |        |     |        |     |        |     |        |     |        |     |        |     |        |     |        |     |        |     |        |     |        |     |        |     |        |       |       |       |          |   |       |       |          |      |      |       |          |      |      |       |          |      |      |       |      |      |      |       |      |      |      |      |        |      |      |   |      |      |        |      |          |   |      |     |        |      |        |      |          |      |      |     |        |      |        |      |          |      |      |     |        |      |      |      |          |      |     |     |        |      |     |     |        |      |      |      |        |      |         |   |      |      |        |      |      |      |        |      |         |      |      |      |       |      |      |      |       |      |         |      |      |      |        |      |      |   |      |      |      |      |         |      |        |      |        |      |        |      |     |      |        |      |     |      |        |      |        |      |        |      |     |      |        |      |     |      |        |      |        |      |        |      |     |      |        |      |      |   |     |      |        |      |     |      |        |      |     |      |        |      |      |      |     |      |       |      |     |      |       |      |     |      |       |      |      |      |     |      |       |      |     |      |        |      |  |  |     |      |       |      |      |      |       |      |     |      |       |      |        |      |  |  |     |      |       |      |     |      |       |      |     |      |       |      |        |      |  |  |     |     |       |      |     |     |       |      |     |     |       |      |        |      |  |  |    |     |       |      |    |     |       |      |
| 125           | 39         | 11.08    | 4.5                    |             |         |               |            |          |                        |             |         |     |      |       |      |     |      |       |      |    |     |       |      |  |  |       |      |       |      |       |     |       |     |       |      |       |      |       |      |       |      |       |      |       |      |       |      |       |      |       |      |       |      |       |      |       |      |       |      |       |      |       |      |       |      |       |     |       |     |       |     |       |     |       |     |       |     |       |     |       |     |       |     |       |     |       |     |       |     |       |     |       |     |       |     |       |     |       |     |       |     |      |     |      |     |      |     |      |     |      |     |      |     |      |     |      |     |      |     |      |     |      |     |      |     |      |     |      |     |      |     |               |     |               |     |               |     |               |  |               |  |               |  |               |     |        |      |        |      |        |      |        |      |      |   |      |       |      |      |          |   |          |     |          |     |          |     |        |     |        |     |        |     |        |     |        |     |        |     |        |     |        |     |        |     |        |     |        |     |        |     |        |     |        |       |       |       |          |   |       |       |          |      |      |       |          |      |      |       |          |      |      |       |      |      |      |       |      |      |      |      |        |      |      |   |      |      |        |      |          |   |      |     |        |      |        |      |          |      |      |     |        |      |        |      |          |      |      |     |        |      |      |      |          |      |     |     |        |      |     |     |        |      |      |      |        |      |         |   |      |      |        |      |      |      |        |      |         |      |      |      |       |      |      |      |       |      |         |      |      |      |        |      |      |   |      |      |      |      |         |      |        |      |        |      |        |      |     |      |        |      |     |      |        |      |        |      |        |      |     |      |        |      |     |      |        |      |        |      |        |      |     |      |        |      |      |   |     |      |        |      |     |      |        |      |     |      |        |      |      |      |     |      |       |      |     |      |       |      |     |      |       |      |      |      |     |      |       |      |     |      |        |      |  |  |     |      |       |      |      |      |       |      |     |      |       |      |        |      |  |  |     |      |       |      |     |      |       |      |     |      |       |      |        |      |  |  |     |     |       |      |     |     |       |      |     |     |       |      |        |      |  |  |    |     |       |      |    |     |       |      |
| 133           | 37         | 10.42    | 4.7                    |             |         |               |            |          |                        |             |         |     |      |       |      |     |      |       |      |    |     |       |      |  |  |       |      |       |      |       |     |       |     |       |      |       |      |       |      |       |      |       |      |       |      |       |      |       |      |       |      |       |      |       |      |       |      |       |      |       |      |       |      |       |      |       |     |       |     |       |     |       |     |       |     |       |     |       |     |       |     |       |     |       |     |       |     |       |     |       |     |       |     |       |     |       |     |       |     |       |     |      |     |      |     |      |     |      |     |      |     |      |     |      |     |      |     |      |     |      |     |      |     |      |     |      |     |      |     |      |     |               |     |               |     |               |     |               |  |               |  |               |  |               |     |        |      |        |      |        |      |        |      |      |   |      |       |      |      |          |   |          |     |          |     |          |     |        |     |        |     |        |     |        |     |        |     |        |     |        |     |        |     |        |     |        |     |        |     |        |     |        |     |        |       |       |       |          |   |       |       |          |      |      |       |          |      |      |       |          |      |      |       |      |      |      |       |      |      |      |      |        |      |      |   |      |      |        |      |          |   |      |     |        |      |        |      |          |      |      |     |        |      |        |      |          |      |      |     |        |      |      |      |          |      |     |     |        |      |     |     |        |      |      |      |        |      |         |   |      |      |        |      |      |      |        |      |         |      |      |      |       |      |      |      |       |      |         |      |      |      |        |      |      |   |      |      |      |      |         |      |        |      |        |      |        |      |     |      |        |      |     |      |        |      |        |      |        |      |     |      |        |      |     |      |        |      |        |      |        |      |     |      |        |      |      |   |     |      |        |      |     |      |        |      |     |      |        |      |      |      |     |      |       |      |     |      |       |      |     |      |       |      |      |      |     |      |       |      |     |      |        |      |  |  |     |      |       |      |      |      |       |      |     |      |       |      |        |      |  |  |     |      |       |      |     |      |       |      |     |      |       |      |        |      |  |  |     |     |       |      |     |     |       |      |     |     |       |      |        |      |  |  |    |     |       |      |    |     |       |      |
| 155           | 32         | 8.97     | 5.2                    |             |         |               |            |          |                        |             |         |     |      |       |      |     |      |       |      |    |     |       |      |  |  |       |      |       |      |       |     |       |     |       |      |       |      |       |      |       |      |       |      |       |      |       |      |       |      |       |      |       |      |       |      |       |      |       |      |       |      |       |      |       |      |       |     |       |     |       |     |       |     |       |     |       |     |       |     |       |     |       |     |       |     |       |     |       |     |       |     |       |     |       |     |       |     |       |     |       |     |      |     |      |     |      |     |      |     |      |     |      |     |      |     |      |     |      |     |      |     |      |     |      |     |      |     |      |     |      |     |               |     |               |     |               |     |               |  |               |  |               |  |               |     |        |      |        |      |        |      |        |      |      |   |      |       |      |      |          |   |          |     |          |     |          |     |        |     |        |     |        |     |        |     |        |     |        |     |        |     |        |     |        |     |        |     |        |     |        |     |        |     |        |       |       |       |          |   |       |       |          |      |      |       |          |      |      |       |          |      |      |       |      |      |      |       |      |      |      |      |        |      |      |   |      |      |        |      |          |   |      |     |        |      |        |      |          |      |      |     |        |      |        |      |          |      |      |     |        |      |      |      |          |      |     |     |        |      |     |     |        |      |      |      |        |      |         |   |      |      |        |      |      |      |        |      |         |      |      |      |       |      |      |      |       |      |         |      |      |      |        |      |      |   |      |      |      |      |         |      |        |      |        |      |        |      |     |      |        |      |     |      |        |      |        |      |        |      |     |      |        |      |     |      |        |      |        |      |        |      |     |      |        |      |      |   |     |      |        |      |     |      |        |      |     |      |        |      |      |      |     |      |       |      |     |      |       |      |     |      |       |      |      |      |     |      |       |      |     |      |        |      |  |  |     |      |       |      |      |      |       |      |     |      |       |      |        |      |  |  |     |      |       |      |     |      |       |      |     |      |       |      |        |      |  |  |     |     |       |      |     |     |       |      |     |     |       |      |        |      |  |  |    |     |       |      |    |     |       |      |
| 174           | 28         | 8.01     | 5.6                    |             |         |               |            |          |                        |             |         |     |      |       |      |     |      |       |      |    |     |       |      |  |  |       |      |       |      |       |     |       |     |       |      |       |      |       |      |       |      |       |      |       |      |       |      |       |      |       |      |       |      |       |      |       |      |       |      |       |      |       |      |       |      |       |     |       |     |       |     |       |     |       |     |       |     |       |     |       |     |       |     |       |     |       |     |       |     |       |     |       |     |       |     |       |     |       |     |       |     |      |     |      |     |      |     |      |     |      |     |      |     |      |     |      |     |      |     |      |     |      |     |      |     |      |     |      |     |      |     |               |     |               |     |               |     |               |  |               |  |               |  |               |     |        |      |        |      |        |      |        |      |      |   |      |       |      |      |          |   |          |     |          |     |          |     |        |     |        |     |        |     |        |     |        |     |        |     |        |     |        |     |        |     |        |     |        |     |        |     |        |     |        |       |       |       |          |   |       |       |          |      |      |       |          |      |      |       |          |      |      |       |      |      |      |       |      |      |      |      |        |      |      |   |      |      |        |      |          |   |      |     |        |      |        |      |          |      |      |     |        |      |        |      |          |      |      |     |        |      |      |      |          |      |     |     |        |      |     |     |        |      |      |      |        |      |         |   |      |      |        |      |      |      |        |      |         |      |      |      |       |      |      |      |       |      |         |      |      |      |        |      |      |   |      |      |      |      |         |      |        |      |        |      |        |      |     |      |        |      |     |      |        |      |        |      |        |      |     |      |        |      |     |      |        |      |        |      |        |      |     |      |        |      |      |   |     |      |        |      |     |      |        |      |     |      |        |      |      |      |     |      |       |      |     |      |       |      |     |      |       |      |      |      |     |      |       |      |     |      |        |      |  |  |     |      |       |      |      |      |       |      |     |      |       |      |        |      |  |  |     |      |       |      |     |      |       |      |     |      |       |      |        |      |  |  |     |     |       |      |     |     |       |      |     |     |       |      |        |      |  |  |    |     |       |      |    |     |       |      |
| 185           | 27         | 7.51     | 5.1                    |             |         |               |            |          |                        |             |         |     |      |       |      |     |      |       |      |    |     |       |      |  |  |       |      |       |      |       |     |       |     |       |      |       |      |       |      |       |      |       |      |       |      |       |      |       |      |       |      |       |      |       |      |       |      |       |      |       |      |       |      |       |      |       |     |       |     |       |     |       |     |       |     |       |     |       |     |       |     |       |     |       |     |       |     |       |     |       |     |       |     |       |     |       |     |       |     |       |     |      |     |      |     |      |     |      |     |      |     |      |     |      |     |      |     |      |     |      |     |      |     |      |     |      |     |      |     |      |     |               |     |               |     |               |     |               |  |               |  |               |  |               |     |        |      |        |      |        |      |        |      |      |   |      |       |      |      |          |   |          |     |          |     |          |     |        |     |        |     |        |     |        |     |        |     |        |     |        |     |        |     |        |     |        |     |        |     |        |     |        |     |        |       |       |       |          |   |       |       |          |      |      |       |          |      |      |       |          |      |      |       |      |      |      |       |      |      |      |      |        |      |      |   |      |      |        |      |          |   |      |     |        |      |        |      |          |      |      |     |        |      |        |      |          |      |      |     |        |      |      |      |          |      |     |     |        |      |     |     |        |      |      |      |        |      |         |   |      |      |        |      |      |      |        |      |         |      |      |      |       |      |      |      |       |      |         |      |      |      |        |      |      |   |      |      |      |      |         |      |        |      |        |      |        |      |     |      |        |      |     |      |        |      |        |      |        |      |     |      |        |      |     |      |        |      |        |      |        |      |     |      |        |      |      |   |     |      |        |      |     |      |        |      |     |      |        |      |      |      |     |      |       |      |     |      |       |      |     |      |       |      |      |      |     |      |       |      |     |      |        |      |  |  |     |      |       |      |      |      |       |      |     |      |       |      |        |      |  |  |     |      |       |      |     |      |       |      |     |      |       |      |        |      |  |  |     |     |       |      |     |     |       |      |     |     |       |      |        |      |  |  |    |     |       |      |    |     |       |      |
| 204           | 24         | 6.81     | 5.4                    |             |         |               |            |          |                        |             |         |     |      |       |      |     |      |       |      |    |     |       |      |  |  |       |      |       |      |       |     |       |     |       |      |       |      |       |      |       |      |       |      |       |      |       |      |       |      |       |      |       |      |       |      |       |      |       |      |       |      |       |      |       |      |       |     |       |     |       |     |       |     |       |     |       |     |       |     |       |     |       |     |       |     |       |     |       |     |       |     |       |     |       |     |       |     |       |     |       |     |      |     |      |     |      |     |      |     |      |     |      |     |      |     |      |     |      |     |      |     |      |     |      |     |      |     |      |     |      |     |               |     |               |     |               |     |               |  |               |  |               |  |               |     |        |      |        |      |        |      |        |      |      |   |      |       |      |      |          |   |          |     |          |     |          |     |        |     |        |     |        |     |        |     |        |     |        |     |        |     |        |     |        |     |        |     |        |     |        |     |        |     |        |       |       |       |          |   |       |       |          |      |      |       |          |      |      |       |          |      |      |       |      |      |      |       |      |      |      |      |        |      |      |   |      |      |        |      |          |   |      |     |        |      |        |      |          |      |      |     |        |      |        |      |          |      |      |     |        |      |      |      |          |      |     |     |        |      |     |     |        |      |      |      |        |      |         |   |      |      |        |      |      |      |        |      |         |      |      |      |       |      |      |      |       |      |         |      |      |      |        |      |      |   |      |      |      |      |         |      |        |      |        |      |        |      |     |      |        |      |     |      |        |      |        |      |        |      |     |      |        |      |     |      |        |      |        |      |        |      |     |      |        |      |      |   |     |      |        |      |     |      |        |      |     |      |        |      |      |      |     |      |       |      |     |      |       |      |     |      |       |      |      |      |     |      |       |      |     |      |        |      |  |  |     |      |       |      |      |      |       |      |     |      |       |      |        |      |  |  |     |      |       |      |     |      |       |      |     |      |       |      |        |      |  |  |     |     |       |      |     |     |       |      |     |     |       |      |        |      |  |  |    |     |       |      |    |     |       |      |
| 227           | 22         | 6.11     | 5.8                    |             |         |               |            |          |                        |             |         |     |      |       |      |     |      |       |      |    |     |       |      |  |  |       |      |       |      |       |     |       |     |       |      |       |      |       |      |       |      |       |      |       |      |       |      |       |      |       |      |       |      |       |      |       |      |       |      |       |      |       |      |       |      |       |     |       |     |       |     |       |     |       |     |       |     |       |     |       |     |       |     |       |     |       |     |       |     |       |     |       |     |       |     |       |     |       |     |       |     |      |     |      |     |      |     |      |     |      |     |      |     |      |     |      |     |      |     |      |     |      |     |      |     |      |     |      |     |      |     |               |     |               |     |               |     |               |  |               |  |               |  |               |     |        |      |        |      |        |      |        |      |      |   |      |       |      |      |          |   |          |     |          |     |          |     |        |     |        |     |        |     |        |     |        |     |        |     |        |     |        |     |        |     |        |     |        |     |        |     |        |     |        |       |       |       |          |   |       |       |          |      |      |       |          |      |      |       |          |      |      |       |      |      |      |       |      |      |      |      |        |      |      |   |      |      |        |      |          |   |      |     |        |      |        |      |          |      |      |     |        |      |        |      |          |      |      |     |        |      |      |      |          |      |     |     |        |      |     |     |        |      |      |      |        |      |         |   |      |      |        |      |      |      |        |      |         |      |      |      |       |      |      |      |       |      |         |      |      |      |        |      |      |   |      |      |      |      |         |      |        |      |        |      |        |      |     |      |        |      |     |      |        |      |        |      |        |      |     |      |        |      |     |      |        |      |        |      |        |      |     |      |        |      |      |   |     |      |        |      |     |      |        |      |     |      |        |      |      |      |     |      |       |      |     |      |       |      |     |      |       |      |      |      |     |      |       |      |     |      |        |      |  |  |     |      |       |      |      |      |       |      |     |      |       |      |        |      |  |  |     |      |       |      |     |      |       |      |     |      |       |      |        |      |  |  |     |     |       |      |     |     |       |      |     |     |       |      |        |      |  |  |    |     |       |      |    |     |       |      |
| 264           | 19         | 5.27     | 6.3                    |             |         |               |            |          |                        |             |         |     |      |       |      |     |      |       |      |    |     |       |      |  |  |       |      |       |      |       |     |       |     |       |      |       |      |       |      |       |      |       |      |       |      |       |      |       |      |       |      |       |      |       |      |       |      |       |      |       |      |       |      |       |      |       |     |       |     |       |     |       |     |       |     |       |     |       |     |       |     |       |     |       |     |       |     |       |     |       |     |       |     |       |     |       |     |       |     |       |     |      |     |      |     |      |     |      |     |      |     |      |     |      |     |      |     |      |     |      |     |      |     |      |     |      |     |      |     |      |     |               |     |               |     |               |     |               |  |               |  |               |  |               |     |        |      |        |      |        |      |        |      |      |   |      |       |      |      |          |   |          |     |          |     |          |     |        |     |        |     |        |     |        |     |        |     |        |     |        |     |        |     |        |     |        |     |        |     |        |     |        |     |        |       |       |       |          |   |       |       |          |      |      |       |          |      |      |       |          |      |      |       |      |      |      |       |      |      |      |      |        |      |      |   |      |      |        |      |          |   |      |     |        |      |        |      |          |      |      |     |        |      |        |      |          |      |      |     |        |      |      |      |          |      |     |     |        |      |     |     |        |      |      |      |        |      |         |   |      |      |        |      |      |      |        |      |         |      |      |      |       |      |      |      |       |      |         |      |      |      |        |      |      |   |      |      |      |      |         |      |        |      |        |      |        |      |     |      |        |      |     |      |        |      |        |      |        |      |     |      |        |      |     |      |        |      |        |      |        |      |     |      |        |      |      |   |     |      |        |      |     |      |        |      |     |      |        |      |      |      |     |      |       |      |     |      |       |      |     |      |       |      |      |      |     |      |       |      |     |      |        |      |  |  |     |      |       |      |      |      |       |      |     |      |       |      |        |      |  |  |     |      |       |      |     |      |       |      |     |      |       |      |        |      |  |  |     |     |       |      |     |     |       |      |     |     |       |      |        |      |  |  |    |     |       |      |    |     |       |      |
| 281           | 18         | 4.95     | 6.4                    |             |         |               |            |          |                        |             |         |     |      |       |      |     |      |       |      |    |     |       |      |  |  |       |      |       |      |       |     |       |     |       |      |       |      |       |      |       |      |       |      |       |      |       |      |       |      |       |      |       |      |       |      |       |      |       |      |       |      |       |      |       |      |       |     |       |     |       |     |       |     |       |     |       |     |       |     |       |     |       |     |       |     |       |     |       |     |       |     |       |     |       |     |       |     |       |     |       |     |      |     |      |     |      |     |      |     |      |     |      |     |      |     |      |     |      |     |      |     |      |     |      |     |      |     |      |     |      |     |               |     |               |     |               |     |               |  |               |  |               |  |               |     |        |      |        |      |        |      |        |      |      |   |      |       |      |      |          |   |          |     |          |     |          |     |        |     |        |     |        |     |        |     |        |     |        |     |        |     |        |     |        |     |        |     |        |     |        |     |        |     |        |       |       |       |          |   |       |       |          |      |      |       |          |      |      |       |          |      |      |       |      |      |      |       |      |      |      |      |        |      |      |   |      |      |        |      |          |   |      |     |        |      |        |      |          |      |      |     |        |      |        |      |          |      |      |     |        |      |      |      |          |      |     |     |        |      |     |     |        |      |      |      |        |      |         |   |      |      |        |      |      |      |        |      |         |      |      |      |       |      |      |      |       |      |         |      |      |      |        |      |      |   |      |      |      |      |         |      |        |      |        |      |        |      |     |      |        |      |     |      |        |      |        |      |        |      |     |      |        |      |     |      |        |      |        |      |        |      |     |      |        |      |      |   |     |      |        |      |     |      |        |      |     |      |        |      |      |      |     |      |       |      |     |      |       |      |     |      |       |      |      |      |     |      |       |      |     |      |        |      |  |  |     |      |       |      |      |      |       |      |     |      |       |      |        |      |  |  |     |      |       |      |     |      |       |      |     |      |       |      |        |      |  |  |     |     |       |      |     |     |       |      |     |     |       |      |        |      |  |  |    |     |       |      |    |     |       |      |
| 326           | 15         | 4.26     | 6.8                    |             |         |               |            |          |                        |             |         |     |      |       |      |     |      |       |      |    |     |       |      |  |  |       |      |       |      |       |     |       |     |       |      |       |      |       |      |       |      |       |      |       |      |       |      |       |      |       |      |       |      |       |      |       |      |       |      |       |      |       |      |       |      |       |     |       |     |       |     |       |     |       |     |       |     |       |     |       |     |       |     |       |     |       |     |       |     |       |     |       |     |       |     |       |     |       |     |       |     |      |     |      |     |      |     |      |     |      |     |      |     |      |     |      |     |      |     |      |     |      |     |      |     |      |     |      |     |      |     |               |     |               |     |               |     |               |  |               |  |               |  |               |     |        |      |        |      |        |      |        |      |      |   |      |       |      |      |          |   |          |     |          |     |          |     |        |     |        |     |        |     |        |     |        |     |        |     |        |     |        |     |        |     |        |     |        |     |        |     |        |     |        |       |       |       |          |   |       |       |          |      |      |       |          |      |      |       |          |      |      |       |      |      |      |       |      |      |      |      |        |      |      |   |      |      |        |      |          |   |      |     |        |      |        |      |          |      |      |     |        |      |        |      |          |      |      |     |        |      |      |      |          |      |     |     |        |      |     |     |        |      |      |      |        |      |         |   |      |      |        |      |      |      |        |      |         |      |      |      |       |      |      |      |       |      |         |      |      |      |        |      |      |   |      |      |      |      |         |      |        |      |        |      |        |      |     |      |        |      |     |      |        |      |        |      |        |      |     |      |        |      |     |      |        |      |        |      |        |      |     |      |        |      |      |   |     |      |        |      |     |      |        |      |     |      |        |      |      |      |     |      |       |      |     |      |       |      |     |      |       |      |      |      |     |      |       |      |     |      |        |      |  |  |     |      |       |      |      |      |       |      |     |      |       |      |        |      |  |  |     |      |       |      |     |      |       |      |     |      |       |      |        |      |  |  |     |     |       |      |     |     |       |      |     |     |       |      |        |      |  |  |    |     |       |      |    |     |       |      |
| 365           | 14         | 3.81     | 7.3                    |             |         |               |            |          |                        |             |         |     |      |       |      |     |      |       |      |    |     |       |      |  |  |       |      |       |      |       |     |       |     |       |      |       |      |       |      |       |      |       |      |       |      |       |      |       |      |       |      |       |      |       |      |       |      |       |      |       |      |       |      |       |      |       |     |       |     |       |     |       |     |       |     |       |     |       |     |       |     |       |     |       |     |       |     |       |     |       |     |       |     |       |     |       |     |       |     |       |     |      |     |      |     |      |     |      |     |      |     |      |     |      |     |      |     |      |     |      |     |      |     |      |     |      |     |      |     |      |     |               |     |               |     |               |     |               |  |               |  |               |  |               |     |        |      |        |      |        |      |        |      |      |   |      |       |      |      |          |   |          |     |          |     |          |     |        |     |        |     |        |     |        |     |        |     |        |     |        |     |        |     |        |     |        |     |        |     |        |     |        |     |        |       |       |       |          |   |       |       |          |      |      |       |          |      |      |       |          |      |      |       |      |      |      |       |      |      |      |      |        |      |      |   |      |      |        |      |          |   |      |     |        |      |        |      |          |      |      |     |        |      |        |      |          |      |      |     |        |      |      |      |          |      |     |     |        |      |     |     |        |      |      |      |        |      |         |   |      |      |        |      |      |      |        |      |         |      |      |      |       |      |      |      |       |      |         |      |      |      |        |      |      |   |      |      |      |      |         |      |        |      |        |      |        |      |     |      |        |      |     |      |        |      |        |      |        |      |     |      |        |      |     |      |        |      |        |      |        |      |     |      |        |      |      |   |     |      |        |      |     |      |        |      |     |      |        |      |      |      |     |      |       |      |     |      |       |      |     |      |       |      |      |      |     |      |       |      |     |      |        |      |  |  |     |      |       |      |      |      |       |      |     |      |       |      |        |      |  |  |     |      |       |      |     |      |       |      |     |      |       |      |        |      |  |  |     |     |       |      |     |     |       |      |     |     |       |      |        |      |  |  |    |     |       |      |    |     |       |      |
| <b>0.75kW</b> |            |          |                        |             |         | <b>0.75kW</b> |            |          |                        |             |         |     |      |       |      |     |      |       |      |    |     |       |      |  |  |       |      |       |      |       |     |       |     |       |      |       |      |       |      |       |      |       |      |       |      |       |      |       |      |       |      |       |      |       |      |       |      |       |      |       |      |       |      |       |      |       |     |       |     |       |     |       |     |       |     |       |     |       |     |       |     |       |     |       |     |       |     |       |     |       |     |       |     |       |     |       |     |       |     |       |     |      |     |      |     |      |     |      |     |      |     |      |     |      |     |      |     |      |     |      |     |      |     |      |     |      |     |      |     |      |     |               |     |               |     |               |     |               |  |               |  |               |  |               |     |        |      |        |      |        |      |        |      |      |   |      |       |      |      |          |   |          |     |          |     |          |     |        |     |        |     |        |     |        |     |        |     |        |     |        |     |        |     |        |     |        |     |        |     |        |     |        |     |        |       |       |       |          |   |       |       |          |      |      |       |          |      |      |       |          |      |      |       |      |      |      |       |      |      |      |      |        |      |      |   |      |      |        |      |          |   |      |     |        |      |        |      |          |      |      |     |        |      |        |      |          |      |      |     |        |      |      |      |          |      |     |     |        |      |     |     |        |      |      |      |        |      |         |   |      |      |        |      |      |      |        |      |         |      |      |      |       |      |      |      |       |      |         |      |      |      |        |      |      |   |      |      |      |      |         |      |        |      |        |      |        |      |     |      |        |      |     |      |        |      |        |      |        |      |     |      |        |      |     |      |        |      |        |      |        |      |     |      |        |      |      |   |     |      |        |      |     |      |        |      |     |      |        |      |      |      |     |      |       |      |     |      |       |      |     |      |       |      |      |      |     |      |       |      |     |      |        |      |  |  |     |      |       |      |      |      |       |      |     |      |       |      |        |      |  |  |     |      |       |      |     |      |       |      |     |      |       |      |        |      |  |  |     |     |       |      |     |     |       |      |     |     |       |      |        |      |  |  |    |     |       |      |    |     |       |      |
| 6.2           | 802        | 225.79   | 1.76                   | F 77        | 4       | 0.50          | 12731      | 2776     | 1.33                   | F 157R97    | 4       |     |      |       |      |     |      |       |      |    |     |       |      |  |  |       |      |       |      |       |     |       |     |       |      |       |      |       |      |       |      |       |      |       |      |       |      |       |      |       |      |       |      |       |      |       |      |       |      |       |      |       |      |       |      |       |     |       |     |       |     |       |     |       |     |       |     |       |     |       |     |       |     |       |     |       |     |       |     |       |     |       |     |       |     |       |     |       |     |       |     |      |     |      |     |      |     |      |     |      |     |      |     |      |     |      |     |      |     |      |     |      |     |      |     |      |     |      |     |      |     |               |     |               |     |               |     |               |  |               |  |               |  |               |     |        |      |        |      |        |      |        |      |      |   |      |       |      |      |          |   |          |     |          |     |          |     |        |     |        |     |        |     |        |     |        |     |        |     |        |     |        |     |        |     |        |     |        |     |        |     |        |     |        |       |       |       |          |   |       |       |          |      |      |       |          |      |      |       |          |      |      |       |      |      |      |       |      |      |      |      |        |      |      |   |      |      |        |      |          |   |      |     |        |      |        |      |          |      |      |     |        |      |        |      |          |      |      |     |        |      |      |      |          |      |     |     |        |      |     |     |        |      |      |      |        |      |         |   |      |      |        |      |      |      |        |      |         |      |      |      |       |      |      |      |       |      |         |      |      |      |        |      |      |   |      |      |      |      |         |      |        |      |        |      |        |      |     |      |        |      |     |      |        |      |        |      |        |      |     |      |        |      |     |      |        |      |        |      |        |      |     |      |        |      |      |   |     |      |        |      |     |      |        |      |     |      |        |      |      |      |     |      |       |      |     |      |       |      |     |      |       |      |      |      |     |      |       |      |     |      |        |      |  |  |     |      |       |      |      |      |       |      |     |      |       |      |        |      |  |  |     |      |       |      |     |      |       |      |     |      |       |      |        |      |  |  |     |     |       |      |     |     |       |      |     |     |       |      |        |      |  |  |    |     |       |      |    |     |       |      |
| 7.0           | 704        | 198.31   | 2.0                    |             |         |               |            |          |                        |             |         |     |      |       |      |     |      |       |      |    |     |       |      |  |  |       |      |       |      |       |     |       |     |       |      |       |      |       |      |       |      |       |      |       |      |       |      |       |      |       |      |       |      |       |      |       |      |       |      |       |      |       |      |       |      |       |     |       |     |       |     |       |     |       |     |       |     |       |     |       |     |       |     |       |     |       |     |       |     |       |     |       |     |       |     |       |     |       |     |       |     |      |     |      |     |      |     |      |     |      |     |      |     |      |     |      |     |      |     |      |     |      |     |      |     |      |     |      |     |      |     |               |     |               |     |               |     |               |  |               |  |               |  |               |     |        |      |        |      |        |      |        |      |      |   |      |       |      |      |          |   |          |     |          |     |          |     |        |     |        |     |        |     |        |     |        |     |        |     |        |     |        |     |        |     |        |     |        |     |        |     |        |     |        |       |       |       |          |   |       |       |          |      |      |       |          |      |      |       |          |      |      |       |      |      |      |       |      |      |      |      |        |      |      |   |      |      |        |      |          |   |      |     |        |      |        |      |          |      |      |     |        |      |        |      |          |      |      |     |        |      |      |      |          |      |     |     |        |      |     |     |        |      |      |      |        |      |         |   |      |      |        |      |      |      |        |      |         |      |      |      |       |      |      |      |       |      |         |      |      |      |        |      |      |   |      |      |      |      |         |      |        |      |        |      |        |      |     |      |        |      |     |      |        |      |        |      |        |      |     |      |        |      |     |      |        |      |        |      |        |      |     |      |        |      |      |   |     |      |        |      |     |      |        |      |     |      |        |      |      |      |     |      |       |      |     |      |       |      |     |      |       |      |      |      |     |      |       |      |     |      |        |      |  |  |     |      |       |      |      |      |       |      |     |      |       |      |        |      |  |  |     |      |       |      |     |      |       |      |     |      |       |      |        |      |  |  |     |     |       |      |     |     |       |      |     |     |       |      |        |      |  |  |    |     |       |      |    |     |       |      |
| 7.4           | 669        | 188.40   | 2.1                    |             |         |               |            |          |                        |             |         |     |      |       |      |     |      |       |      |    |     |       |      |  |  |       |      |       |      |       |     |       |     |       |      |       |      |       |      |       |      |       |      |       |      |       |      |       |      |       |      |       |      |       |      |       |      |       |      |       |      |       |      |       |      |       |     |       |     |       |     |       |     |       |     |       |     |       |     |       |     |       |     |       |     |       |     |       |     |       |     |       |     |       |     |       |     |       |     |       |     |      |     |      |     |      |     |      |     |      |     |      |     |      |     |      |     |      |     |      |     |      |     |      |     |      |     |      |     |      |     |               |     |               |     |               |     |               |  |               |  |               |  |               |     |        |      |        |      |        |      |        |      |      |   |      |       |      |      |          |   |          |     |          |     |          |     |        |     |        |     |        |     |        |     |        |     |        |     |        |     |        |     |        |     |        |     |        |     |        |     |        |     |        |       |       |       |          |   |       |       |          |      |      |       |          |      |      |       |          |      |      |       |      |      |      |       |      |      |      |      |        |      |      |   |      |      |        |      |          |   |      |     |        |      |        |      |          |      |      |     |        |      |        |      |          |      |      |     |        |      |      |      |          |      |     |     |        |      |     |     |        |      |      |      |        |      |         |   |      |      |        |      |      |      |        |      |         |      |      |      |       |      |      |      |       |      |         |      |      |      |        |      |      |   |      |      |      |      |         |      |        |      |        |      |        |      |     |      |        |      |     |      |        |      |        |      |        |      |     |      |        |      |     |      |        |      |        |      |        |      |     |      |        |      |      |   |     |      |        |      |     |      |        |      |     |      |        |      |      |      |     |      |       |      |     |      |       |      |     |      |       |      |      |      |     |      |       |      |     |      |        |      |  |  |     |      |       |      |      |      |       |      |     |      |       |      |        |      |  |  |     |      |       |      |     |      |       |      |     |      |       |      |        |      |  |  |     |     |       |      |     |     |       |      |     |     |       |      |        |      |  |  |    |     |       |      |    |     |       |      |
| 8.3           | 591        | 166.47   | 2.4                    |             |         |               |            |          |                        |             |         |     |      |       |      |     |      |       |      |    |     |       |      |  |  |       |      |       |      |       |     |       |     |       |      |       |      |       |      |       |      |       |      |       |      |       |      |       |      |       |      |       |      |       |      |       |      |       |      |       |      |       |      |       |      |       |     |       |     |       |     |       |     |       |     |       |     |       |     |       |     |       |     |       |     |       |     |       |     |       |     |       |     |       |     |       |     |       |     |       |     |      |     |      |     |      |     |      |     |      |     |      |     |      |     |      |     |      |     |      |     |      |     |      |     |      |     |      |     |      |     |               |     |               |     |               |     |               |  |               |  |               |  |               |     |        |      |        |      |        |      |        |      |      |   |      |       |      |      |          |   |          |     |          |     |          |     |        |     |        |     |        |     |        |     |        |     |        |     |        |     |        |     |        |     |        |     |        |     |        |     |        |     |        |       |       |       |          |   |       |       |          |      |      |       |          |      |      |       |          |      |      |       |      |      |      |       |      |      |      |      |        |      |      |   |      |      |        |      |          |   |      |     |        |      |        |      |          |      |      |     |        |      |        |      |          |      |      |     |        |      |      |      |          |      |     |     |        |      |     |     |        |      |      |      |        |      |         |   |      |      |        |      |      |      |        |      |         |      |      |      |       |      |      |      |       |      |         |      |      |      |        |      |      |   |      |      |      |      |         |      |        |      |        |      |        |      |     |      |        |      |     |      |        |      |        |      |        |      |     |      |        |      |     |      |        |      |        |      |        |      |     |      |        |      |      |   |     |      |        |      |     |      |        |      |     |      |        |      |      |      |     |      |       |      |     |      |       |      |     |      |       |      |      |      |     |      |       |      |     |      |        |      |  |  |     |      |       |      |      |      |       |      |     |      |       |      |        |      |  |  |     |      |       |      |     |      |       |      |     |      |       |      |        |      |  |  |     |     |       |      |     |     |       |      |     |     |       |      |        |      |  |  |    |     |       |      |    |     |       |      |
| 9.8           | 505        | 142.27   | 2.8                    |             |         |               |            |          |                        |             |         |     |      |       |      |     |      |       |      |    |     |       |      |  |  |       |      |       |      |       |     |       |     |       |      |       |      |       |      |       |      |       |      |       |      |       |      |       |      |       |      |       |      |       |      |       |      |       |      |       |      |       |      |       |      |       |     |       |     |       |     |       |     |       |     |       |     |       |     |       |     |       |     |       |     |       |     |       |     |       |     |       |     |       |     |       |     |       |     |       |     |      |     |      |     |      |     |      |     |      |     |      |     |      |     |      |     |      |     |      |     |      |     |      |     |      |     |      |     |      |     |               |     |               |     |               |     |               |  |               |  |               |  |               |     |        |      |        |      |        |      |        |      |      |   |      |       |      |      |          |   |          |     |          |     |          |     |        |     |        |     |        |     |        |     |        |     |        |     |        |     |        |     |        |     |        |     |        |     |        |     |        |     |        |       |       |       |          |   |       |       |          |      |      |       |          |      |      |       |          |      |      |       |      |      |      |       |      |      |      |      |        |      |      |   |      |      |        |      |          |   |      |     |        |      |        |      |          |      |      |     |        |      |        |      |          |      |      |     |        |      |      |      |          |      |     |     |        |      |     |     |        |      |      |      |        |      |         |   |      |      |        |      |      |      |        |      |         |      |      |      |       |      |      |      |       |      |         |      |      |      |        |      |      |   |      |      |      |      |         |      |        |      |        |      |        |      |     |      |        |      |     |      |        |      |        |      |        |      |     |      |        |      |     |      |        |      |        |      |        |      |     |      |        |      |      |   |     |      |        |      |     |      |        |      |     |      |        |      |      |      |     |      |       |      |     |      |       |      |     |      |       |      |      |      |     |      |       |      |     |      |        |      |  |  |     |      |       |      |      |      |       |      |     |      |       |      |        |      |  |  |     |      |       |      |     |      |       |      |     |      |       |      |        |      |  |  |     |     |       |      |     |     |       |      |     |     |       |      |        |      |  |  |    |     |       |      |    |     |       |      |
| 11            | 463        | 130.42   | 3.0                    |             |         |               |            |          |                        |             |         |     |      |       |      |     |      |       |      |    |     |       |      |  |  |       |      |       |      |       |     |       |     |       |      |       |      |       |      |       |      |       |      |       |      |       |      |       |      |       |      |       |      |       |      |       |      |       |      |       |      |       |      |       |      |       |     |       |     |       |     |       |     |       |     |       |     |       |     |       |     |       |     |       |     |       |     |       |     |       |     |       |     |       |     |       |     |       |     |       |     |      |     |      |     |      |     |      |     |      |     |      |     |      |     |      |     |      |     |      |     |      |     |      |     |      |     |      |     |      |     |               |     |               |     |               |     |               |  |               |  |               |  |               |     |        |      |        |      |        |      |        |      |      |   |      |       |      |      |          |   |          |     |          |     |          |     |        |     |        |     |        |     |        |     |        |     |        |     |        |     |        |     |        |     |        |     |        |     |        |     |        |     |        |       |       |       |          |   |       |       |          |      |      |       |          |      |      |       |          |      |      |       |      |      |      |       |      |      |      |      |        |      |      |   |      |      |        |      |          |   |      |     |        |      |        |      |          |      |      |     |        |      |        |      |          |      |      |     |        |      |      |      |          |      |     |     |        |      |     |     |        |      |      |      |        |      |         |   |      |      |        |      |      |      |        |      |         |      |      |      |       |      |      |      |       |      |         |      |      |      |        |      |      |   |      |      |      |      |         |      |        |      |        |      |        |      |     |      |        |      |     |      |        |      |        |      |        |      |     |      |        |      |     |      |        |      |        |      |        |      |     |      |        |      |      |   |     |      |        |      |     |      |        |      |     |      |        |      |      |      |     |      |       |      |     |      |       |      |     |      |       |      |      |      |     |      |       |      |     |      |        |      |  |  |     |      |       |      |      |      |       |      |     |      |       |      |        |      |  |  |     |      |       |      |     |      |       |      |     |      |       |      |        |      |  |  |     |     |       |      |     |     |       |      |     |     |       |      |        |      |  |  |    |     |       |      |    |     |       |      |
| 12            | 407        | 114.45   | 3.5                    |             |         |               |            |          |                        |             |         |     |      |       |      |     |      |       |      |    |     |       |      |  |  |       |      |       |      |       |     |       |     |       |      |       |      |       |      |       |      |       |      |       |      |       |      |       |      |       |      |       |      |       |      |       |      |       |      |       |      |       |      |       |      |       |     |       |     |       |     |       |     |       |     |       |     |       |     |       |     |       |     |       |     |       |     |       |     |       |     |       |     |       |     |       |     |       |     |       |     |      |     |      |     |      |     |      |     |      |     |      |     |      |     |      |     |      |     |      |     |      |     |      |     |      |     |      |     |      |     |               |     |               |     |               |     |               |  |               |  |               |  |               |     |        |      |        |      |        |      |        |      |      |   |      |       |      |      |          |   |          |     |          |     |          |     |        |     |        |     |        |     |        |     |        |     |        |     |        |     |        |     |        |     |        |     |        |     |        |     |        |     |        |       |       |       |          |   |       |       |          |      |      |       |          |      |      |       |          |      |      |       |      |      |      |       |      |      |      |      |        |      |      |   |      |      |        |      |          |   |      |     |        |      |        |      |          |      |      |     |        |      |        |      |          |      |      |     |        |      |      |      |          |      |     |     |        |      |     |     |        |      |      |      |        |      |         |   |      |      |        |      |      |      |        |      |         |      |      |      |       |      |      |      |       |      |         |      |      |      |        |      |      |   |      |      |      |      |         |      |        |      |        |      |        |      |     |      |        |      |     |      |        |      |        |      |        |      |     |      |        |      |     |      |        |      |        |      |        |      |     |      |        |      |      |   |     |      |        |      |     |      |        |      |     |      |        |      |      |      |     |      |       |      |     |      |       |      |     |      |       |      |      |      |     |      |       |      |     |      |        |      |  |  |     |      |       |      |      |      |       |      |     |      |       |      |        |      |  |  |     |      |       |      |     |      |       |      |     |      |       |      |        |      |  |  |     |     |       |      |     |     |       |      |     |     |       |      |        |      |  |  |    |     |       |      |    |     |       |      |
| 13            | 385        | 108.46   | 3.7                    |             |         |               |            |          |                        |             |         |     |      |       |      |     |      |       |      |    |     |       |      |  |  |       |      |       |      |       |     |       |     |       |      |       |      |       |      |       |      |       |      |       |      |       |      |       |      |       |      |       |      |       |      |       |      |       |      |       |      |       |      |       |      |       |     |       |     |       |     |       |     |       |     |       |     |       |     |       |     |       |     |       |     |       |     |       |     |       |     |       |     |       |     |       |     |       |     |       |     |      |     |      |     |      |     |      |     |      |     |      |     |      |     |      |     |      |     |      |     |      |     |      |     |      |     |      |     |      |     |               |     |               |     |               |     |               |  |               |  |               |  |               |     |        |      |        |      |        |      |        |      |      |   |      |       |      |      |          |   |          |     |          |     |          |     |        |     |        |     |        |     |        |     |        |     |        |     |        |     |        |     |        |     |        |     |        |     |        |     |        |     |        |       |       |       |          |   |       |       |          |      |      |       |          |      |      |       |          |      |      |       |      |      |      |       |      |      |      |      |        |      |      |   |      |      |        |      |          |   |      |     |        |      |        |      |          |      |      |     |        |      |        |      |          |      |      |     |        |      |      |      |          |      |     |     |        |      |     |     |        |      |      |      |        |      |         |   |      |      |        |      |      |      |        |      |         |      |      |      |       |      |      |      |       |      |         |      |      |      |        |      |      |   |      |      |      |      |         |      |        |      |        |      |        |      |     |      |        |      |     |      |        |      |        |      |        |      |     |      |        |      |     |      |        |      |        |      |        |      |     |      |        |      |      |   |     |      |        |      |     |      |        |      |     |      |        |      |      |      |     |      |       |      |     |      |       |      |     |      |       |      |      |      |     |      |       |      |     |      |        |      |  |  |     |      |       |      |      |      |       |      |     |      |       |      |        |      |  |  |     |      |       |      |     |      |       |      |     |      |       |      |        |      |  |  |     |     |       |      |     |     |       |      |     |     |       |      |        |      |  |  |    |     |       |      |    |     |       |      |
| 15            | 337        | 94.93    | 4.2                    |             |         |               |            |          |                        |             |         |     |      |       |      |     |      |       |      |    |     |       |      |  |  |       |      |       |      |       |     |       |     |       |      |       |      |       |      |       |      |       |      |       |      |       |      |       |      |       |      |       |      |       |      |       |      |       |      |       |      |       |      |       |      |       |     |       |     |       |     |       |     |       |     |       |     |       |     |       |     |       |     |       |     |       |     |       |     |       |     |       |     |       |     |       |     |       |     |       |     |      |     |      |     |      |     |      |     |      |     |      |     |      |     |      |     |      |     |      |     |      |     |      |     |      |     |      |     |      |     |               |     |               |     |               |     |               |  |               |  |               |  |               |     |        |      |        |      |        |      |        |      |      |   |      |       |      |      |          |   |          |     |          |     |          |     |        |     |        |     |        |     |        |     |        |     |        |     |        |     |        |     |        |     |        |     |        |     |        |     |        |     |        |       |       |       |          |   |       |       |          |      |      |       |          |      |      |       |          |      |      |       |      |      |      |       |      |      |      |      |        |      |      |   |      |      |        |      |          |   |      |     |        |      |        |      |          |      |      |     |        |      |        |      |          |      |      |     |        |      |      |      |          |      |     |     |        |      |     |     |        |      |      |      |        |      |         |   |      |      |        |      |      |      |        |      |         |      |      |      |       |      |      |      |       |      |         |      |      |      |        |      |      |   |      |      |      |      |         |      |        |      |        |      |        |      |     |      |        |      |     |      |        |      |        |      |        |      |     |      |        |      |     |      |        |      |        |      |        |      |     |      |        |      |      |   |     |      |        |      |     |      |        |      |     |      |        |      |      |      |     |      |       |      |     |      |       |      |     |      |       |      |      |      |     |      |       |      |     |      |        |      |  |  |     |      |       |      |      |      |       |      |     |      |       |      |        |      |  |  |     |      |       |      |     |      |       |      |     |      |       |      |        |      |  |  |     |     |       |      |     |     |       |      |     |     |       |      |        |      |  |  |    |     |       |      |    |     |       |      |
| 0.47          | 13699      | 2987     | 0.82                   |             |         | F 127R77      | 4          |          |                        |             |         |     |      |       |      |     |      |       |      |    |     |       |      |  |  |       |      |       |      |       |     |       |     |       |      |       |      |       |      |       |      |       |      |       |      |       |      |       |      |       |      |       |      |       |      |       |      |       |      |       |      |       |      |       |      |       |     |       |     |       |     |       |     |       |     |       |     |       |     |       |     |       |     |       |     |       |     |       |     |       |     |       |     |       |     |       |     |       |     |       |     |      |     |      |     |      |     |      |     |      |     |      |     |      |     |      |     |      |     |      |     |      |     |      |     |      |     |      |     |      |     |               |     |               |     |               |     |               |  |               |  |               |  |               |     |        |      |        |      |        |      |        |      |      |   |      |       |      |      |          |   |          |     |          |     |          |     |        |     |        |     |        |     |        |     |        |     |        |     |        |     |        |     |        |     |        |     |        |     |        |     |        |     |        |       |       |       |          |   |       |       |          |      |      |       |          |      |      |       |          |      |      |       |      |      |      |       |      |      |      |      |        |      |      |   |      |      |        |      |          |   |      |     |        |      |        |      |          |      |      |     |        |      |        |      |          |      |      |     |        |      |      |      |          |      |     |     |        |      |     |     |        |      |      |      |        |      |         |   |      |      |        |      |      |      |        |      |         |      |      |      |       |      |      |      |       |      |         |      |      |      |        |      |      |   |      |      |      |      |         |      |        |      |        |      |        |      |     |      |        |      |     |      |        |      |        |      |        |      |     |      |        |      |     |      |        |      |        |      |        |      |     |      |        |      |      |   |     |      |        |      |     |      |        |      |     |      |        |      |      |      |     |      |       |      |     |      |       |      |     |      |       |      |      |      |     |      |       |      |     |      |        |      |  |  |     |      |       |      |      |      |       |      |     |      |       |      |        |      |  |  |     |      |       |      |     |      |       |      |     |      |       |      |        |      |  |  |     |     |       |      |     |     |       |      |     |     |       |      |        |      |  |  |    |     |       |      |    |     |       |      |
| 0.52          | 12350      | 2693     | 0.91                   |             |         |               |            |          |                        |             |         |     |      |       |      |     |      |       |      |    |     |       |      |  |  |       |      |       |      |       |     |       |     |       |      |       |      |       |      |       |      |       |      |       |      |       |      |       |      |       |      |       |      |       |      |       |      |       |      |       |      |       |      |       |      |       |     |       |     |       |     |       |     |       |     |       |     |       |     |       |     |       |     |       |     |       |     |       |     |       |     |       |     |       |     |       |     |       |     |       |     |      |     |      |     |      |     |      |     |      |     |      |     |      |     |      |     |      |     |      |     |      |     |      |     |      |     |      |     |      |     |               |     |               |     |               |     |               |  |               |  |               |  |               |     |        |      |        |      |        |      |        |      |      |   |      |       |      |      |          |   |          |     |          |     |          |     |        |     |        |     |        |     |        |     |        |     |        |     |        |     |        |     |        |     |        |     |        |     |        |     |        |     |        |       |       |       |          |   |       |       |          |      |      |       |          |      |      |       |          |      |      |       |      |      |      |       |      |      |      |      |        |      |      |   |      |      |        |      |          |   |      |     |        |      |        |      |          |      |      |     |        |      |        |      |          |      |      |     |        |      |      |      |          |      |     |     |        |      |     |     |        |      |      |      |        |      |         |   |      |      |        |      |      |      |        |      |         |      |      |      |       |      |      |      |       |      |         |      |      |      |        |      |      |   |      |      |      |      |         |      |        |      |        |      |        |      |     |      |        |      |     |      |        |      |        |      |        |      |     |      |        |      |     |      |        |      |        |      |        |      |     |      |        |      |      |   |     |      |        |      |     |      |        |      |     |      |        |      |      |      |     |      |       |      |     |      |       |      |     |      |       |      |      |      |     |      |       |      |     |      |        |      |  |  |     |      |       |      |      |      |       |      |     |      |       |      |        |      |  |  |     |      |       |      |     |      |       |      |     |      |       |      |        |      |  |  |     |     |       |      |     |     |       |      |     |     |       |      |        |      |  |  |    |     |       |      |    |     |       |      |
| 0.59          | 10896      | 2376     | 1.04                   |             |         |               |            |          |                        |             |         |     |      |       |      |     |      |       |      |    |     |       |      |  |  |       |      |       |      |       |     |       |     |       |      |       |      |       |      |       |      |       |      |       |      |       |      |       |      |       |      |       |      |       |      |       |      |       |      |       |      |       |      |       |      |       |     |       |     |       |     |       |     |       |     |       |     |       |     |       |     |       |     |       |     |       |     |       |     |       |     |       |     |       |     |       |     |       |     |       |     |      |     |      |     |      |     |      |     |      |     |      |     |      |     |      |     |      |     |      |     |      |     |      |     |      |     |      |     |      |     |               |     |               |     |               |     |               |  |               |  |               |  |               |     |        |      |        |      |        |      |        |      |      |   |      |       |      |      |          |   |          |     |          |     |          |     |        |     |        |     |        |     |        |     |        |     |        |     |        |     |        |     |        |     |        |     |        |     |        |     |        |     |        |       |       |       |          |   |       |       |          |      |      |       |          |      |      |       |          |      |      |       |      |      |      |       |      |      |      |      |        |      |      |   |      |      |        |      |          |   |      |     |        |      |        |      |          |      |      |     |        |      |        |      |          |      |      |     |        |      |      |      |          |      |     |     |        |      |     |     |        |      |      |      |        |      |         |   |      |      |        |      |      |      |        |      |         |      |      |      |       |      |      |      |       |      |         |      |      |      |        |      |      |   |      |      |      |      |         |      |        |      |        |      |        |      |     |      |        |      |     |      |        |      |        |      |        |      |     |      |        |      |     |      |        |      |        |      |        |      |     |      |        |      |      |   |     |      |        |      |     |      |        |      |     |      |        |      |      |      |     |      |       |      |     |      |       |      |     |      |       |      |      |      |     |      |       |      |     |      |        |      |  |  |     |      |       |      |      |      |       |      |     |      |       |      |        |      |  |  |     |      |       |      |     |      |       |      |     |      |       |      |        |      |  |  |     |     |       |      |     |     |       |      |     |     |       |      |        |      |  |  |    |     |       |      |    |     |       |      |
| 0.68          | 9420       | 2054     | 1.20                   |             |         |               |            |          |                        |             |         |     |      |       |      |     |      |       |      |    |     |       |      |  |  |       |      |       |      |       |     |       |     |       |      |       |      |       |      |       |      |       |      |       |      |       |      |       |      |       |      |       |      |       |      |       |      |       |      |       |      |       |      |       |      |       |     |       |     |       |     |       |     |       |     |       |     |       |     |       |     |       |     |       |     |       |     |       |     |       |     |       |     |       |     |       |     |       |     |       |     |      |     |      |     |      |     |      |     |      |     |      |     |      |     |      |     |      |     |      |     |      |     |      |     |      |     |      |     |      |     |               |     |               |     |               |     |               |  |               |  |               |  |               |     |        |      |        |      |        |      |        |      |      |   |      |       |      |      |          |   |          |     |          |     |          |     |        |     |        |     |        |     |        |     |        |     |        |     |        |     |        |     |        |     |        |     |        |     |        |     |        |     |        |       |       |       |          |   |       |       |          |      |      |       |          |      |      |       |          |      |      |       |      |      |      |       |      |      |      |      |        |      |      |   |      |      |        |      |          |   |      |     |        |      |        |      |          |      |      |     |        |      |        |      |          |      |      |     |        |      |      |      |          |      |     |     |        |      |     |     |        |      |      |      |        |      |         |   |      |      |        |      |      |      |        |      |         |      |      |      |       |      |      |      |       |      |         |      |      |      |        |      |      |   |      |      |      |      |         |      |        |      |        |      |        |      |     |      |        |      |     |      |        |      |        |      |        |      |     |      |        |      |     |      |        |      |        |      |        |      |     |      |        |      |      |   |     |      |        |      |     |      |        |      |     |      |        |      |      |      |     |      |       |      |     |      |       |      |     |      |       |      |      |      |     |      |       |      |     |      |        |      |  |  |     |      |       |      |      |      |       |      |     |      |       |      |        |      |  |  |     |      |       |      |     |      |       |      |     |      |       |      |        |      |  |  |     |     |       |      |     |     |       |      |     |     |       |      |        |      |  |  |    |     |       |      |    |     |       |      |
| 0.77          | 8246       | 1798     | 1.37                   |             |         |               |            |          |                        |             |         |     |      |       |      |     |      |       |      |    |     |       |      |  |  |       |      |       |      |       |     |       |     |       |      |       |      |       |      |       |      |       |      |       |      |       |      |       |      |       |      |       |      |       |      |       |      |       |      |       |      |       |      |       |      |       |     |       |     |       |     |       |     |       |     |       |     |       |     |       |     |       |     |       |     |       |     |       |     |       |     |       |     |       |     |       |     |       |     |       |     |      |     |      |     |      |     |      |     |      |     |      |     |      |     |      |     |      |     |      |     |      |     |      |     |      |     |      |     |      |     |               |     |               |     |               |     |               |  |               |  |               |  |               |     |        |      |        |      |        |      |        |      |      |   |      |       |      |      |          |   |          |     |          |     |          |     |        |     |        |     |        |     |        |     |        |     |        |     |        |     |        |     |        |     |        |     |        |     |        |     |        |     |        |       |       |       |          |   |       |       |          |      |      |       |          |      |      |       |          |      |      |       |      |      |      |       |      |      |      |      |        |      |      |   |      |      |        |      |          |   |      |     |        |      |        |      |          |      |      |     |        |      |        |      |          |      |      |     |        |      |      |      |          |      |     |     |        |      |     |     |        |      |      |      |        |      |         |   |      |      |        |      |      |      |        |      |         |      |      |      |       |      |      |      |       |      |         |      |      |      |        |      |      |   |      |      |      |      |         |      |        |      |        |      |        |      |     |      |        |      |     |      |        |      |        |      |        |      |     |      |        |      |     |      |        |      |        |      |        |      |     |      |        |      |      |   |     |      |        |      |     |      |        |      |     |      |        |      |      |      |     |      |       |      |     |      |       |      |     |      |       |      |      |      |     |      |       |      |     |      |        |      |  |  |     |      |       |      |      |      |       |      |     |      |       |      |        |      |  |  |     |      |       |      |     |      |       |      |     |      |       |      |        |      |  |  |     |     |       |      |     |     |       |      |     |     |       |      |        |      |  |  |    |     |       |      |    |     |       |      |
| 0.86          | 7425       | 1619     | 1.52                   |             |         |               |            |          |                        |             |         |     |      |       |      |     |      |       |      |    |     |       |      |  |  |       |      |       |      |       |     |       |     |       |      |       |      |       |      |       |      |       |      |       |      |       |      |       |      |       |      |       |      |       |      |       |      |       |      |       |      |       |      |       |      |       |     |       |     |       |     |       |     |       |     |       |     |       |     |       |     |       |     |       |     |       |     |       |     |       |     |       |     |       |     |       |     |       |     |       |     |      |     |      |     |      |     |      |     |      |     |      |     |      |     |      |     |      |     |      |     |      |     |      |     |      |     |      |     |      |     |               |     |               |     |               |     |               |  |               |  |               |  |               |     |        |      |        |      |        |      |        |      |      |   |      |       |      |      |          |   |          |     |          |     |          |     |        |     |        |     |        |     |        |     |        |     |        |     |        |     |        |     |        |     |        |     |        |     |        |     |        |     |        |       |       |       |          |   |       |       |          |      |      |       |          |      |      |       |          |      |      |       |      |      |      |       |      |      |      |      |        |      |      |   |      |      |        |      |          |   |      |     |        |      |        |      |          |      |      |     |        |      |        |      |          |      |      |     |        |      |      |      |          |      |     |     |        |      |     |     |        |      |      |      |        |      |         |   |      |      |        |      |      |      |        |      |         |      |      |      |       |      |      |      |       |      |         |      |      |      |        |      |      |   |      |      |      |      |         |      |        |      |        |      |        |      |     |      |        |      |     |      |        |      |        |      |        |      |     |      |        |      |     |      |        |      |        |      |        |      |     |      |        |      |      |   |     |      |        |      |     |      |        |      |     |      |        |      |      |      |     |      |       |      |     |      |       |      |     |      |       |      |      |      |     |      |       |      |     |      |        |      |  |  |     |      |       |      |      |      |       |      |     |      |       |      |        |      |  |  |     |      |       |      |     |      |       |      |     |      |       |      |        |      |  |  |     |     |       |      |     |     |       |      |     |     |       |      |        |      |  |  |    |     |       |      |    |     |       |      |
| 7.1           | 694        | 195.39   | 1.11                   | F 67        | 4       | 0.76          | 8374       | 1826     | 0.88                   | F 107R77    | 4       |     |      |       |      |     |      |       |      |    |     |       |      |  |  |       |      |       |      |       |     |       |     |       |      |       |      |       |      |       |      |       |      |       |      |       |      |       |      |       |      |       |      |       |      |       |      |       |      |       |      |       |      |       |      |       |     |       |     |       |     |       |     |       |     |       |     |       |     |       |     |       |     |       |     |       |     |       |     |       |     |       |     |       |     |       |     |       |     |       |     |      |     |      |     |      |     |      |     |      |     |      |     |      |     |      |     |      |     |      |     |      |     |      |     |      |     |      |     |      |     |               |     |               |     |               |     |               |  |               |  |               |  |               |     |        |      |        |      |        |      |        |      |      |   |      |       |      |      |          |   |          |     |          |     |          |     |        |     |        |     |        |     |        |     |        |     |        |     |        |     |        |     |        |     |        |     |        |     |        |     |        |     |        |       |       |       |          |   |       |       |          |      |      |       |          |      |      |       |          |      |      |       |      |      |      |       |      |      |      |      |        |      |      |   |      |      |        |      |          |   |      |     |        |      |        |      |          |      |      |     |        |      |        |      |          |      |      |     |        |      |      |      |          |      |     |     |        |      |     |     |        |      |      |      |        |      |         |   |      |      |        |      |      |      |        |      |         |      |      |      |       |      |      |      |       |      |         |      |      |      |        |      |      |   |      |      |      |      |         |      |        |      |        |      |        |      |     |      |        |      |     |      |        |      |        |      |        |      |     |      |        |      |     |      |        |      |        |      |        |      |     |      |        |      |      |   |     |      |        |      |     |      |        |      |     |      |        |      |      |      |     |      |       |      |     |      |       |      |     |      |       |      |      |      |     |      |       |      |     |      |        |      |  |  |     |      |       |      |      |      |       |      |     |      |       |      |        |      |  |  |     |      |       |      |     |      |       |      |     |      |       |      |        |      |  |  |     |     |       |      |     |     |       |      |     |     |       |      |        |      |  |  |    |     |       |      |    |     |       |      |
| 8.1           | 607        | 170.85   | 1.27                   |             |         |               |            |          |                        |             |         |     |      |       |      |     |      |       |      |    |     |       |      |  |  |       |      |       |      |       |     |       |     |       |      |       |      |       |      |       |      |       |      |       |      |       |      |       |      |       |      |       |      |       |      |       |      |       |      |       |      |       |      |       |      |       |     |       |     |       |     |       |     |       |     |       |     |       |     |       |     |       |     |       |     |       |     |       |     |       |     |       |     |       |     |       |     |       |     |       |     |      |     |      |     |      |     |      |     |      |     |      |     |      |     |      |     |      |     |      |     |      |     |      |     |      |     |      |     |      |     |               |     |               |     |               |     |               |  |               |  |               |  |               |     |        |      |        |      |        |      |        |      |      |   |      |       |      |      |          |   |          |     |          |     |          |     |        |     |        |     |        |     |        |     |        |     |        |     |        |     |        |     |        |     |        |     |        |     |        |     |        |     |        |       |       |       |          |   |       |       |          |      |      |       |          |      |      |       |          |      |      |       |      |      |      |       |      |      |      |      |        |      |      |   |      |      |        |      |          |   |      |     |        |      |        |      |          |      |      |     |        |      |        |      |          |      |      |     |        |      |      |      |          |      |     |     |        |      |     |     |        |      |      |      |        |      |         |   |      |      |        |      |      |      |        |      |         |      |      |      |       |      |      |      |       |      |         |      |      |      |        |      |      |   |      |      |      |      |         |      |        |      |        |      |        |      |     |      |        |      |     |      |        |      |        |      |        |      |     |      |        |      |     |      |        |      |        |      |        |      |     |      |        |      |      |   |     |      |        |      |     |      |        |      |     |      |        |      |      |      |     |      |       |      |     |      |       |      |     |      |       |      |      |      |     |      |       |      |     |      |        |      |  |  |     |      |       |      |      |      |       |      |     |      |       |      |        |      |  |  |     |      |       |      |     |      |       |      |     |      |       |      |        |      |  |  |     |     |       |      |     |     |       |      |     |     |       |      |        |      |  |  |    |     |       |      |    |     |       |      |
| 8.6           | 577        | 162.31   | 1.34                   |             |         |               |            |          |                        |             |         |     |      |       |      |     |      |       |      |    |     |       |      |  |  |       |      |       |      |       |     |       |     |       |      |       |      |       |      |       |      |       |      |       |      |       |      |       |      |       |      |       |      |       |      |       |      |       |      |       |      |       |      |       |      |       |     |       |     |       |     |       |     |       |     |       |     |       |     |       |     |       |     |       |     |       |     |       |     |       |     |       |     |       |     |       |     |       |     |       |     |      |     |      |     |      |     |      |     |      |     |      |     |      |     |      |     |      |     |      |     |      |     |      |     |      |     |      |     |      |     |               |     |               |     |               |     |               |  |               |  |               |  |               |     |        |      |        |      |        |      |        |      |      |   |      |       |      |      |          |   |          |     |          |     |          |     |        |     |        |     |        |     |        |     |        |     |        |     |        |     |        |     |        |     |        |     |        |     |        |     |        |     |        |       |       |       |          |   |       |       |          |      |      |       |          |      |      |       |          |      |      |       |      |      |      |       |      |      |      |      |        |      |      |   |      |      |        |      |          |   |      |     |        |      |        |      |          |      |      |     |        |      |        |      |          |      |      |     |        |      |      |      |          |      |     |     |        |      |     |     |        |      |      |      |        |      |         |   |      |      |        |      |      |      |        |      |         |      |      |      |       |      |      |      |       |      |         |      |      |      |        |      |      |   |      |      |      |      |         |      |        |      |        |      |        |      |     |      |        |      |     |      |        |      |        |      |        |      |     |      |        |      |     |      |        |      |        |      |        |      |     |      |        |      |      |   |     |      |        |      |     |      |        |      |     |      |        |      |      |      |     |      |       |      |     |      |       |      |     |      |       |      |      |      |     |      |       |      |     |      |        |      |  |  |     |      |       |      |      |      |       |      |     |      |       |      |        |      |  |  |     |      |       |      |     |      |       |      |     |      |       |      |        |      |  |  |     |     |       |      |     |     |       |      |     |     |       |      |        |      |  |  |    |     |       |      |    |     |       |      |
| 9.8           | 506        | 142.40   | 1.52                   |             |         |               |            |          |                        |             |         |     |      |       |      |     |      |       |      |    |     |       |      |  |  |       |      |       |      |       |     |       |     |       |      |       |      |       |      |       |      |       |      |       |      |       |      |       |      |       |      |       |      |       |      |       |      |       |      |       |      |       |      |       |      |       |     |       |     |       |     |       |     |       |     |       |     |       |     |       |     |       |     |       |     |       |     |       |     |       |     |       |     |       |     |       |     |       |     |       |     |      |     |      |     |      |     |      |     |      |     |      |     |      |     |      |     |      |     |      |     |      |     |      |     |      |     |      |     |      |     |               |     |               |     |               |     |               |  |               |  |               |  |               |     |        |      |        |      |        |      |        |      |      |   |      |       |      |      |          |   |          |     |          |     |          |     |        |     |        |     |        |     |        |     |        |     |        |     |        |     |        |     |        |     |        |     |        |     |        |     |        |     |        |       |       |       |          |   |       |       |          |      |      |       |          |      |      |       |          |      |      |       |      |      |      |       |      |      |      |      |        |      |      |   |      |      |        |      |          |   |      |     |        |      |        |      |          |      |      |     |        |      |        |      |          |      |      |     |        |      |      |      |          |      |     |     |        |      |     |     |        |      |      |      |        |      |         |   |      |      |        |      |      |      |        |      |         |      |      |      |       |      |      |      |       |      |         |      |      |      |        |      |      |   |      |      |      |      |         |      |        |      |        |      |        |      |     |      |        |      |     |      |        |      |        |      |        |      |     |      |        |      |     |      |        |      |        |      |        |      |     |      |        |      |      |   |     |      |        |      |     |      |        |      |     |      |        |      |      |      |     |      |       |      |     |      |       |      |     |      |       |      |      |      |     |      |       |      |     |      |        |      |  |  |     |      |       |      |      |      |       |      |     |      |       |      |        |      |  |  |     |      |       |      |     |      |       |      |     |      |       |      |        |      |  |  |     |     |       |      |     |     |       |      |     |     |       |      |        |      |  |  |    |     |       |      |    |     |       |      |
| 12            | 429        | 120.79   | 1.80                   |             |         |               |            |          |                        |             |         |     |      |       |      |     |      |       |      |    |     |       |      |  |  |       |      |       |      |       |     |       |     |       |      |       |      |       |      |       |      |       |      |       |      |       |      |       |      |       |      |       |      |       |      |       |      |       |      |       |      |       |      |       |      |       |     |       |     |       |     |       |     |       |     |       |     |       |     |       |     |       |     |       |     |       |     |       |     |       |     |       |     |       |     |       |     |       |     |       |     |      |     |      |     |      |     |      |     |      |     |      |     |      |     |      |     |      |     |      |     |      |     |      |     |      |     |      |     |      |     |               |     |               |     |               |     |               |  |               |  |               |  |               |     |        |      |        |      |        |      |        |      |      |   |      |       |      |      |          |   |          |     |          |     |          |     |        |     |        |     |        |     |        |     |        |     |        |     |        |     |        |     |        |     |        |     |        |     |        |     |        |     |        |       |       |       |          |   |       |       |          |      |      |       |          |      |      |       |          |      |      |       |      |      |      |       |      |      |      |      |        |      |      |   |      |      |        |      |          |   |      |     |        |      |        |      |          |      |      |     |        |      |        |      |          |      |      |     |        |      |      |      |          |      |     |     |        |      |     |     |        |      |      |      |        |      |         |   |      |      |        |      |      |      |        |      |         |      |      |      |       |      |      |      |       |      |         |      |      |      |        |      |      |   |      |      |      |      |         |      |        |      |        |      |        |      |     |      |        |      |     |      |        |      |        |      |        |      |     |      |        |      |     |      |        |      |        |      |        |      |     |      |        |      |      |   |     |      |        |      |     |      |        |      |     |      |        |      |      |      |     |      |       |      |     |      |       |      |     |      |       |      |      |      |     |      |       |      |     |      |        |      |  |  |     |      |       |      |      |      |       |      |     |      |       |      |        |      |  |  |     |      |       |      |     |      |       |      |     |      |       |      |        |      |  |  |     |     |       |      |     |     |       |      |     |     |       |      |        |      |  |  |    |     |       |      |    |     |       |      |
| 13            | 387        | 109.04   | 2.0                    |             |         |               |            |          |                        |             |         |     |      |       |      |     |      |       |      |    |     |       |      |  |  |       |      |       |      |       |     |       |     |       |      |       |      |       |      |       |      |       |      |       |      |       |      |       |      |       |      |       |      |       |      |       |      |       |      |       |      |       |      |       |      |       |     |       |     |       |     |       |     |       |     |       |     |       |     |       |     |       |     |       |     |       |     |       |     |       |     |       |     |       |     |       |     |       |     |       |     |      |     |      |     |      |     |      |     |      |     |      |     |      |     |      |     |      |     |      |     |      |     |      |     |      |     |      |     |      |     |               |     |               |     |               |     |               |  |               |  |               |  |               |     |        |      |        |      |        |      |        |      |      |   |      |       |      |      |          |   |          |     |          |     |          |     |        |     |        |     |        |     |        |     |        |     |        |     |        |     |        |     |        |     |        |     |        |     |        |     |        |     |        |       |       |       |          |   |       |       |          |      |      |       |          |      |      |       |          |      |      |       |      |      |      |       |      |      |      |      |        |      |      |   |      |      |        |      |          |   |      |     |        |      |        |      |          |      |      |     |        |      |        |      |          |      |      |     |        |      |      |      |          |      |     |     |        |      |     |     |        |      |      |      |        |      |         |   |      |      |        |      |      |      |        |      |         |      |      |      |       |      |      |      |       |      |         |      |      |      |        |      |      |   |      |      |      |      |         |      |        |      |        |      |        |      |     |      |        |      |     |      |        |      |        |      |        |      |     |      |        |      |     |      |        |      |        |      |        |      |     |      |        |      |      |   |     |      |        |      |     |      |        |      |     |      |        |      |      |      |     |      |       |      |     |      |       |      |     |      |       |      |      |      |     |      |       |      |     |      |        |      |  |  |     |      |       |      |      |      |       |      |     |      |       |      |        |      |  |  |     |      |       |      |     |      |       |      |     |      |       |      |        |      |  |  |     |     |       |      |     |     |       |      |     |     |       |      |        |      |  |  |    |     |       |      |    |     |       |      |
| 14            | 341        | 95.94    | 2.3                    |             |         |               |            |          |                        |             |         |     |      |       |      |     |      |       |      |    |     |       |      |  |  |       |      |       |      |       |     |       |     |       |      |       |      |       |      |       |      |       |      |       |      |       |      |       |      |       |      |       |      |       |      |       |      |       |      |       |      |       |      |       |      |       |     |       |     |       |     |       |     |       |     |       |     |       |     |       |     |       |     |       |     |       |     |       |     |       |     |       |     |       |     |       |     |       |     |       |     |      |     |      |     |      |     |      |     |      |     |      |     |      |     |      |     |      |     |      |     |      |     |      |     |      |     |      |     |      |     |               |     |               |     |               |     |               |  |               |  |               |  |               |     |        |      |        |      |        |      |        |      |      |   |      |       |      |      |          |   |          |     |          |     |          |     |        |     |        |     |        |     |        |     |        |     |        |     |        |     |        |     |        |     |        |     |        |     |        |     |        |     |        |       |       |       |          |   |       |       |          |      |      |       |          |      |      |       |          |      |      |       |      |      |      |       |      |      |      |      |        |      |      |   |      |      |        |      |          |   |      |     |        |      |        |      |          |      |      |     |        |      |        |      |          |      |      |     |        |      |      |      |          |      |     |     |        |      |     |     |        |      |      |      |        |      |         |   |      |      |        |      |      |      |        |      |         |      |      |      |       |      |      |      |       |      |         |      |      |      |        |      |      |   |      |      |      |      |         |      |        |      |        |      |        |      |     |      |        |      |     |      |        |      |        |      |        |      |     |      |        |      |     |      |        |      |        |      |        |      |     |      |        |      |      |   |     |      |        |      |     |      |        |      |     |      |        |      |      |      |     |      |       |      |     |      |       |      |     |      |       |      |      |      |     |      |       |      |     |      |        |      |  |  |     |      |       |      |      |      |       |      |     |      |       |      |        |      |  |  |     |      |       |      |     |      |       |      |     |      |       |      |        |      |  |  |     |     |       |      |     |     |       |      |     |     |       |      |        |      |  |  |    |     |       |      |    |     |       |      |
| 15            | 322        | 90.59    | 2.4                    |             |         |               |            |          |                        |             |         |     |      |       |      |     |      |       |      |    |     |       |      |  |  |       |      |       |      |       |     |       |     |       |      |       |      |       |      |       |      |       |      |       |      |       |      |       |      |       |      |       |      |       |      |       |      |       |      |       |      |       |      |       |      |       |     |       |     |       |     |       |     |       |     |       |     |       |     |       |     |       |     |       |     |       |     |       |     |       |     |       |     |       |     |       |     |       |     |       |     |      |     |      |     |      |     |      |     |      |     |      |     |      |     |      |     |      |     |      |     |      |     |      |     |      |     |      |     |      |     |               |     |               |     |               |     |               |  |               |  |               |  |               |     |        |      |        |      |        |      |        |      |      |   |      |       |      |      |          |   |          |     |          |     |          |     |        |     |        |     |        |     |        |     |        |     |        |     |        |     |        |     |        |     |        |     |        |     |        |     |        |     |        |       |       |       |          |   |       |       |          |      |      |       |          |      |      |       |          |      |      |       |      |      |      |       |      |      |      |      |        |      |      |   |      |      |        |      |          |   |      |     |        |      |        |      |          |      |      |     |        |      |        |      |          |      |      |     |        |      |      |      |          |      |     |     |        |      |     |     |        |      |      |      |        |      |         |   |      |      |        |      |      |      |        |      |         |      |      |      |       |      |      |      |       |      |         |      |      |      |        |      |      |   |      |      |      |      |         |      |        |      |        |      |        |      |     |      |        |      |     |      |        |      |        |      |        |      |     |      |        |      |     |      |        |      |        |      |        |      |     |      |        |      |      |   |     |      |        |      |     |      |        |      |     |      |        |      |      |      |     |      |       |      |     |      |       |      |     |      |       |      |      |      |     |      |       |      |     |      |        |      |  |  |     |      |       |      |      |      |       |      |     |      |       |      |        |      |  |  |     |      |       |      |     |      |       |      |     |      |       |      |        |      |  |  |     |     |       |      |     |     |       |      |     |     |       |      |        |      |  |  |    |     |       |      |    |     |       |      |
| 18            | 277        | 77.97    | 2.8                    |             |         |               |            |          |                        |             |         |     |      |       |      |     |      |       |      |    |     |       |      |  |  |       |      |       |      |       |     |       |     |       |      |       |      |       |      |       |      |       |      |       |      |       |      |       |      |       |      |       |      |       |      |       |      |       |      |       |      |       |      |       |      |       |     |       |     |       |     |       |     |       |     |       |     |       |     |       |     |       |     |       |     |       |     |       |     |       |     |       |     |       |     |       |     |       |     |       |     |      |     |      |     |      |     |      |     |      |     |      |     |      |     |      |     |      |     |      |     |      |     |      |     |      |     |      |     |      |     |               |     |               |     |               |     |               |  |               |  |               |  |               |     |        |      |        |      |        |      |        |      |      |   |      |       |      |      |          |   |          |     |          |     |          |     |        |     |        |     |        |     |        |     |        |     |        |     |        |     |        |     |        |     |        |     |        |     |        |     |        |     |        |       |       |       |          |   |       |       |          |      |      |       |          |      |      |       |          |      |      |       |      |      |      |       |      |      |      |      |        |      |      |   |      |      |        |      |          |   |      |     |        |      |        |      |          |      |      |     |        |      |        |      |          |      |      |     |        |      |      |      |          |      |     |     |        |      |     |     |        |      |      |      |        |      |         |   |      |      |        |      |      |      |        |      |         |      |      |      |       |      |      |      |       |      |         |      |      |      |        |      |      |   |      |      |      |      |         |      |        |      |        |      |        |      |     |      |        |      |     |      |        |      |        |      |        |      |     |      |        |      |     |      |        |      |        |      |        |      |     |      |        |      |      |   |     |      |        |      |     |      |        |      |     |      |        |      |      |      |     |      |       |      |     |      |       |      |     |      |       |      |      |      |     |      |       |      |     |      |        |      |  |  |     |      |       |      |      |      |       |      |     |      |       |      |        |      |  |  |     |      |       |      |     |      |       |      |     |      |       |      |        |      |  |  |     |     |       |      |     |     |       |      |     |     |       |      |        |      |  |  |    |     |       |      |    |     |       |      |
| 0.88          | 7241       | 1597     | 1.02                   |             |         | F 97R57       | 4          |          |                        |             |         |     |      |       |      |     |      |       |      |    |     |       |      |  |  |       |      |       |      |       |     |       |     |       |      |       |      |       |      |       |      |       |      |       |      |       |      |       |      |       |      |       |      |       |      |       |      |       |      |       |      |       |      |       |      |       |     |       |     |       |     |       |     |       |     |       |     |       |     |       |     |       |     |       |     |       |     |       |     |       |     |       |     |       |     |       |     |       |     |       |     |      |     |      |     |      |     |      |     |      |     |      |     |      |     |      |     |      |     |      |     |      |     |      |     |      |     |      |     |      |     |               |     |               |     |               |     |               |  |               |  |               |  |               |     |        |      |        |      |        |      |        |      |      |   |      |       |      |      |          |   |          |     |          |     |          |     |        |     |        |     |        |     |        |     |        |     |        |     |        |     |        |     |        |     |        |     |        |     |        |     |        |     |        |       |       |       |          |   |       |       |          |      |      |       |          |      |      |       |          |      |      |       |      |      |      |       |      |      |      |      |        |      |      |   |      |      |        |      |          |   |      |     |        |      |        |      |          |      |      |     |        |      |        |      |          |      |      |     |        |      |      |      |          |      |     |     |        |      |     |     |        |      |      |      |        |      |         |   |      |      |        |      |      |      |        |      |         |      |      |      |       |      |      |      |       |      |         |      |      |      |        |      |      |   |      |      |      |      |         |      |        |      |        |      |        |      |     |      |        |      |     |      |        |      |        |      |        |      |     |      |        |      |     |      |        |      |        |      |        |      |     |      |        |      |      |   |     |      |        |      |     |      |        |      |     |      |        |      |      |      |     |      |       |      |     |      |       |      |     |      |       |      |      |      |     |      |       |      |     |      |        |      |  |  |     |      |       |      |      |      |       |      |     |      |       |      |        |      |  |  |     |      |       |      |     |      |       |      |     |      |       |      |        |      |  |  |     |     |       |      |     |     |       |      |     |     |       |      |        |      |  |  |    |     |       |      |    |     |       |      |
| 0.99          | 6425       | 1401     | 1.15                   |             |         |               |            |          |                        |             |         |     |      |       |      |     |      |       |      |    |     |       |      |  |  |       |      |       |      |       |     |       |     |       |      |       |      |       |      |       |      |       |      |       |      |       |      |       |      |       |      |       |      |       |      |       |      |       |      |       |      |       |      |       |      |       |     |       |     |       |     |       |     |       |     |       |     |       |     |       |     |       |     |       |     |       |     |       |     |       |     |       |     |       |     |       |     |       |     |       |     |      |     |      |     |      |     |      |     |      |     |      |     |      |     |      |     |      |     |      |     |      |     |      |     |      |     |      |     |      |     |               |     |               |     |               |     |               |  |               |  |               |  |               |     |        |      |        |      |        |      |        |      |      |   |      |       |      |      |          |   |          |     |          |     |          |     |        |     |        |     |        |     |        |     |        |     |        |     |        |     |        |     |        |     |        |     |        |     |        |     |        |     |        |       |       |       |          |   |       |       |          |      |      |       |          |      |      |       |          |      |      |       |      |      |      |       |      |      |      |      |        |      |      |   |      |      |        |      |          |   |      |     |        |      |        |      |          |      |      |     |        |      |        |      |          |      |      |     |        |      |      |      |          |      |     |     |        |      |     |     |        |      |      |      |        |      |         |   |      |      |        |      |      |      |        |      |         |      |      |      |       |      |      |      |       |      |         |      |      |      |        |      |      |   |      |      |      |      |         |      |        |      |        |      |        |      |     |      |        |      |     |      |        |      |        |      |        |      |     |      |        |      |     |      |        |      |        |      |        |      |     |      |        |      |      |   |     |      |        |      |     |      |        |      |     |      |        |      |      |      |     |      |       |      |     |      |       |      |     |      |       |      |      |      |     |      |       |      |     |      |        |      |  |  |     |      |       |      |      |      |       |      |     |      |       |      |        |      |  |  |     |      |       |      |     |      |       |      |     |      |       |      |        |      |  |  |     |     |       |      |     |     |       |      |     |     |       |      |        |      |  |  |    |     |       |      |    |     |       |      |
| 1.1           | 5700       | 1243     | 1.29                   |             |         |               |            |          |                        |             |         |     |      |       |      |     |      |       |      |    |     |       |      |  |  |       |      |       |      |       |     |       |     |       |      |       |      |       |      |       |      |       |      |       |      |       |      |       |      |       |      |       |      |       |      |       |      |       |      |       |      |       |      |       |      |       |     |       |     |       |     |       |     |       |     |       |     |       |     |       |     |       |     |       |     |       |     |       |     |       |     |       |     |       |     |       |     |       |     |       |     |      |     |      |     |      |     |      |     |      |     |      |     |      |     |      |     |      |     |      |     |      |     |      |     |      |     |      |     |      |     |               |     |               |     |               |     |               |  |               |  |               |  |               |     |        |      |        |      |        |      |        |      |      |   |      |       |      |      |          |   |          |     |          |     |          |     |        |     |        |     |        |     |        |     |        |     |        |     |        |     |        |     |        |     |        |     |        |     |        |     |        |     |        |       |       |       |          |   |       |       |          |      |      |       |          |      |      |       |          |      |      |       |      |      |      |       |      |      |      |      |        |      |      |   |      |      |        |      |          |   |      |     |        |      |        |      |          |      |      |     |        |      |        |      |          |      |      |     |        |      |      |      |          |      |     |     |        |      |     |     |        |      |      |      |        |      |         |   |      |      |        |      |      |      |        |      |         |      |      |      |       |      |      |      |       |      |         |      |      |      |        |      |      |   |      |      |      |      |         |      |        |      |        |      |        |      |     |      |        |      |     |      |        |      |        |      |        |      |     |      |        |      |     |      |        |      |        |      |        |      |     |      |        |      |      |   |     |      |        |      |     |      |        |      |     |      |        |      |      |      |     |      |       |      |     |      |       |      |     |      |       |      |      |      |     |      |       |      |     |      |        |      |  |  |     |      |       |      |      |      |       |      |     |      |       |      |        |      |  |  |     |      |       |      |     |      |       |      |     |      |       |      |        |      |  |  |     |     |       |      |     |     |       |      |     |     |       |      |        |      |  |  |    |     |       |      |    |     |       |      |
| 1.3           | 4985       | 1087     | 1.48                   |             |         |               |            |          |                        |             |         |     |      |       |      |     |      |       |      |    |     |       |      |  |  |       |      |       |      |       |     |       |     |       |      |       |      |       |      |       |      |       |      |       |      |       |      |       |      |       |      |       |      |       |      |       |      |       |      |       |      |       |      |       |      |       |     |       |     |       |     |       |     |       |     |       |     |       |     |       |     |       |     |       |     |       |     |       |     |       |     |       |     |       |     |       |     |       |     |       |     |      |     |      |     |      |     |      |     |      |     |      |     |      |     |      |     |      |     |      |     |      |     |      |     |      |     |      |     |      |     |               |     |               |     |               |     |               |  |               |  |               |  |               |     |        |      |        |      |        |      |        |      |      |   |      |       |      |      |          |   |          |     |          |     |          |     |        |     |        |     |        |     |        |     |        |     |        |     |        |     |        |     |        |     |        |     |        |     |        |     |        |     |        |       |       |       |          |   |       |       |          |      |      |       |          |      |      |       |          |      |      |       |      |      |      |       |      |      |      |      |        |      |      |   |      |      |        |      |          |   |      |     |        |      |        |      |          |      |      |     |        |      |        |      |          |      |      |     |        |      |      |      |          |      |     |     |        |      |     |     |        |      |      |      |        |      |         |   |      |      |        |      |      |      |        |      |         |      |      |      |       |      |      |      |       |      |         |      |      |      |        |      |      |   |      |      |      |      |         |      |        |      |        |      |        |      |     |      |        |      |     |      |        |      |        |      |        |      |     |      |        |      |     |      |        |      |        |      |        |      |     |      |        |      |      |   |     |      |        |      |     |      |        |      |     |      |        |      |      |      |     |      |       |      |     |      |       |      |     |      |       |      |      |      |     |      |       |      |     |      |        |      |  |  |     |      |       |      |      |      |       |      |     |      |       |      |        |      |  |  |     |      |       |      |     |      |       |      |     |      |       |      |        |      |  |  |     |     |       |      |     |     |       |      |     |     |       |      |        |      |  |  |    |     |       |      |    |     |       |      |
| 1.5           | 4357       | 950      | 1.69                   |             |         |               |            |          |                        |             |         |     |      |       |      |     |      |       |      |    |     |       |      |  |  |       |      |       |      |       |     |       |     |       |      |       |      |       |      |       |      |       |      |       |      |       |      |       |      |       |      |       |      |       |      |       |      |       |      |       |      |       |      |       |      |       |     |       |     |       |     |       |     |       |     |       |     |       |     |       |     |       |     |       |     |       |     |       |     |       |     |       |     |       |     |       |     |       |     |       |     |      |     |      |     |      |     |      |     |      |     |      |     |      |     |      |     |      |     |      |     |      |     |      |     |      |     |      |     |      |     |               |     |               |     |               |     |               |  |               |  |               |  |               |     |        |      |        |      |        |      |        |      |      |   |      |       |      |      |          |   |          |     |          |     |          |     |        |     |        |     |        |     |        |     |        |     |        |     |        |     |        |     |        |     |        |     |        |     |        |     |        |     |        |       |       |       |          |   |       |       |          |      |      |       |          |      |      |       |          |      |      |       |      |      |      |       |      |      |      |      |        |      |      |   |      |      |        |      |          |   |      |     |        |      |        |      |          |      |      |     |        |      |        |      |          |      |      |     |        |      |      |      |          |      |     |     |        |      |     |     |        |      |      |      |        |      |         |   |      |      |        |      |      |      |        |      |         |      |      |      |       |      |      |      |       |      |         |      |      |      |        |      |      |   |      |      |      |      |         |      |        |      |        |      |        |      |     |      |        |      |     |      |        |      |        |      |        |      |     |      |        |      |     |      |        |      |        |      |        |      |     |      |        |      |      |   |     |      |        |      |     |      |        |      |     |      |        |      |      |      |     |      |       |      |     |      |       |      |     |      |       |      |      |      |     |      |       |      |     |      |        |      |  |  |     |      |       |      |      |      |       |      |     |      |       |      |        |      |  |  |     |      |       |      |     |      |       |      |     |      |       |      |        |      |  |  |     |     |       |      |     |     |       |      |     |     |       |      |        |      |  |  |    |     |       |      |    |     |       |      |
| 1.7           | 3825       | 834      | 1.93                   |             |         |               |            |          |                        |             |         |     |      |       |      |     |      |       |      |    |     |       |      |  |  |       |      |       |      |       |     |       |     |       |      |       |      |       |      |       |      |       |      |       |      |       |      |       |      |       |      |       |      |       |      |       |      |       |      |       |      |       |      |       |      |       |     |       |     |       |     |       |     |       |     |       |     |       |     |       |     |       |     |       |     |       |     |       |     |       |     |       |     |       |     |       |     |       |     |       |     |      |     |      |     |      |     |      |     |      |     |      |     |      |     |      |     |      |     |      |     |      |     |      |     |      |     |      |     |      |     |               |     |               |     |               |     |               |  |               |  |               |  |               |     |        |      |        |      |        |      |        |      |      |   |      |       |      |      |          |   |          |     |          |     |          |     |        |     |        |     |        |     |        |     |        |     |        |     |        |     |        |     |        |     |        |     |        |     |        |     |        |     |        |       |       |       |          |   |       |       |          |      |      |       |          |      |      |       |          |      |      |       |      |      |      |       |      |      |      |      |        |      |      |   |      |      |        |      |          |   |      |     |        |      |        |      |          |      |      |     |        |      |        |      |          |      |      |     |        |      |      |      |          |      |     |     |        |      |     |     |        |      |      |      |        |      |         |   |      |      |        |      |      |      |        |      |         |      |      |      |       |      |      |      |       |      |         |      |      |      |        |      |      |   |      |      |      |      |         |      |        |      |        |      |        |      |     |      |        |      |     |      |        |      |        |      |        |      |     |      |        |      |     |      |        |      |        |      |        |      |     |      |        |      |      |   |     |      |        |      |     |      |        |      |     |      |        |      |      |      |     |      |       |      |     |      |       |      |     |      |       |      |      |      |     |      |       |      |     |      |        |      |  |  |     |      |       |      |      |      |       |      |     |      |       |      |        |      |  |  |     |      |       |      |     |      |       |      |     |      |       |      |        |      |  |  |     |     |       |      |     |     |       |      |     |     |       |      |        |      |  |  |    |     |       |      |    |     |       |      |
| 8.8           | 558        | 157.09   | 1.01                   | F 57        | 4       | 2.2           | 2875       | 627      | 2.6                    |             |         |     |      |       |      |     |      |       |      |    |     |       |      |  |  |       |      |       |      |       |     |       |     |       |      |       |      |       |      |       |      |       |      |       |      |       |      |       |      |       |      |       |      |       |      |       |      |       |      |       |      |       |      |       |      |       |     |       |     |       |     |       |     |       |     |       |     |       |     |       |     |       |     |       |     |       |     |       |     |       |     |       |     |       |     |       |     |       |     |       |     |      |     |      |     |      |     |      |     |      |     |      |     |      |     |      |     |      |     |      |     |      |     |      |     |      |     |      |     |      |     |               |     |               |     |               |     |               |  |               |  |               |  |               |     |        |      |        |      |        |      |        |      |      |   |      |       |      |      |          |   |          |     |          |     |          |     |        |     |        |     |        |     |        |     |        |     |        |     |        |     |        |     |        |     |        |     |        |     |        |     |        |     |        |       |       |       |          |   |       |       |          |      |      |       |          |      |      |       |          |      |      |       |      |      |      |       |      |      |      |      |        |      |      |   |      |      |        |      |          |   |      |     |        |      |        |      |          |      |      |     |        |      |        |      |          |      |      |     |        |      |      |      |          |      |     |     |        |      |     |     |        |      |      |      |        |      |         |   |      |      |        |      |      |      |        |      |         |      |      |      |       |      |      |      |       |      |         |      |      |      |        |      |      |   |      |      |      |      |         |      |        |      |        |      |        |      |     |      |        |      |     |      |        |      |        |      |        |      |     |      |        |      |     |      |        |      |        |      |        |      |     |      |        |      |      |   |     |      |        |      |     |      |        |      |     |      |        |      |      |      |     |      |       |      |     |      |       |      |     |      |       |      |      |      |     |      |       |      |     |      |        |      |  |  |     |      |       |      |      |      |       |      |     |      |       |      |        |      |  |  |     |      |       |      |     |      |       |      |     |      |       |      |        |      |  |  |     |     |       |      |     |     |       |      |     |     |       |      |        |      |  |  |    |     |       |      |    |     |       |      |
| 10            | 484        | 136.16   | 1.17                   |             |         |               |            |          |                        |             |         |     |      |       |      |     |      |       |      |    |     |       |      |  |  |       |      |       |      |       |     |       |     |       |      |       |      |       |      |       |      |       |      |       |      |       |      |       |      |       |      |       |      |       |      |       |      |       |      |       |      |       |      |       |      |       |     |       |     |       |     |       |     |       |     |       |     |       |     |       |     |       |     |       |     |       |     |       |     |       |     |       |     |       |     |       |     |       |     |       |     |      |     |      |     |      |     |      |     |      |     |      |     |      |     |      |     |      |     |      |     |      |     |      |     |      |     |      |     |      |     |               |     |               |     |               |     |               |  |               |  |               |  |               |     |        |      |        |      |        |      |        |      |      |   |      |       |      |      |          |   |          |     |          |     |          |     |        |     |        |     |        |     |        |     |        |     |        |     |        |     |        |     |        |     |        |     |        |     |        |     |        |     |        |       |       |       |          |   |       |       |          |      |      |       |          |      |      |       |          |      |      |       |      |      |      |       |      |      |      |      |        |      |      |   |      |      |        |      |          |   |      |     |        |      |        |      |          |      |      |     |        |      |        |      |          |      |      |     |        |      |      |      |          |      |     |     |        |      |     |     |        |      |      |      |        |      |         |   |      |      |        |      |      |      |        |      |         |      |      |      |       |      |      |      |       |      |         |      |      |      |        |      |      |   |      |      |      |      |         |      |        |      |        |      |        |      |     |      |        |      |     |      |        |      |        |      |        |      |     |      |        |      |     |      |        |      |        |      |        |      |     |      |        |      |      |   |     |      |        |      |     |      |        |      |     |      |        |      |      |      |     |      |       |      |     |      |       |      |     |      |       |      |      |      |     |      |       |      |     |      |        |      |  |  |     |      |       |      |      |      |       |      |     |      |       |      |        |      |  |  |     |      |       |      |     |      |       |      |     |      |       |      |        |      |  |  |     |     |       |      |     |     |       |      |     |     |       |      |        |      |  |  |    |     |       |      |    |     |       |      |
| 11            | 452        | 127.27   | 1.25                   |             |         |               |            |          |                        |             |         |     |      |       |      |     |      |       |      |    |     |       |      |  |  |       |      |       |      |       |     |       |     |       |      |       |      |       |      |       |      |       |      |       |      |       |      |       |      |       |      |       |      |       |      |       |      |       |      |       |      |       |      |       |      |       |     |       |     |       |     |       |     |       |     |       |     |       |     |       |     |       |     |       |     |       |     |       |     |       |     |       |     |       |     |       |     |       |     |       |     |      |     |      |     |      |     |      |     |      |     |      |     |      |     |      |     |      |     |      |     |      |     |      |     |      |     |      |     |      |     |               |     |               |     |               |     |               |  |               |  |               |  |               |     |        |      |        |      |        |      |        |      |      |   |      |       |      |      |          |   |          |     |          |     |          |     |        |     |        |     |        |     |        |     |        |     |        |     |        |     |        |     |        |     |        |     |        |     |        |     |        |     |        |       |       |       |          |   |       |       |          |      |      |       |          |      |      |       |          |      |      |       |      |      |      |       |      |      |      |      |        |      |      |   |      |      |        |      |          |   |      |     |        |      |        |      |          |      |      |     |        |      |        |      |          |      |      |     |        |      |      |      |          |      |     |     |        |      |     |     |        |      |      |      |        |      |         |   |      |      |        |      |      |      |        |      |         |      |      |      |       |      |      |      |       |      |         |      |      |      |        |      |      |   |      |      |      |      |         |      |        |      |        |      |        |      |     |      |        |      |     |      |        |      |        |      |        |      |     |      |        |      |     |      |        |      |        |      |        |      |     |      |        |      |      |   |     |      |        |      |     |      |        |      |     |      |        |      |      |      |     |      |       |      |     |      |       |      |     |      |       |      |      |      |     |      |       |      |     |      |        |      |  |  |     |      |       |      |      |      |       |      |     |      |       |      |        |      |  |  |     |      |       |      |     |      |       |      |     |      |       |      |        |      |  |  |     |     |       |      |     |     |       |      |     |     |       |      |        |      |  |  |    |     |       |      |    |     |       |      |
| 13            | 391        | 110.01   | 1.44                   |             |         |               |            |          |                        |             |         |     |      |       |      |     |      |       |      |    |     |       |      |  |  |       |      |       |      |       |     |       |     |       |      |       |      |       |      |       |      |       |      |       |      |       |      |       |      |       |      |       |      |       |      |       |      |       |      |       |      |       |      |       |      |       |     |       |     |       |     |       |     |       |     |       |     |       |     |       |     |       |     |       |     |       |     |       |     |       |     |       |     |       |     |       |     |       |     |       |     |      |     |      |     |      |     |      |     |      |     |      |     |      |     |      |     |      |     |      |     |      |     |      |     |      |     |      |     |      |     |               |     |               |     |               |     |               |  |               |  |               |  |               |     |        |      |        |      |        |      |        |      |      |   |      |       |      |      |          |   |          |     |          |     |          |     |        |     |        |     |        |     |        |     |        |     |        |     |        |     |        |     |        |     |        |     |        |     |        |     |        |     |        |       |       |       |          |   |       |       |          |      |      |       |          |      |      |       |          |      |      |       |      |      |      |       |      |      |      |      |        |      |      |   |      |      |        |      |          |   |      |     |        |      |        |      |          |      |      |     |        |      |        |      |          |      |      |     |        |      |      |      |          |      |     |     |        |      |     |     |        |      |      |      |        |      |         |   |      |      |        |      |      |      |        |      |         |      |      |      |       |      |      |      |       |      |         |      |      |      |        |      |      |   |      |      |      |      |         |      |        |      |        |      |        |      |     |      |        |      |     |      |        |      |        |      |        |      |     |      |        |      |     |      |        |      |        |      |        |      |     |      |        |      |      |   |     |      |        |      |     |      |        |      |     |      |        |      |      |      |     |      |       |      |     |      |       |      |     |      |       |      |      |      |     |      |       |      |     |      |        |      |  |  |     |      |       |      |      |      |       |      |     |      |       |      |        |      |  |  |     |      |       |      |     |      |       |      |     |      |       |      |        |      |  |  |     |     |       |      |     |     |       |      |     |     |       |      |        |      |  |  |    |     |       |      |    |     |       |      |
| 15            | 332        | 93.47    | 1.70                   |             |         |               |            |          |                        |             |         |     |      |       |      |     |      |       |      |    |     |       |      |  |  |       |      |       |      |       |     |       |     |       |      |       |      |       |      |       |      |       |      |       |      |       |      |       |      |       |      |       |      |       |      |       |      |       |      |       |      |       |      |       |      |       |     |       |     |       |     |       |     |       |     |       |     |       |     |       |     |       |     |       |     |       |     |       |     |       |     |       |     |       |     |       |     |       |     |       |     |      |     |      |     |      |     |      |     |      |     |      |     |      |     |      |     |      |     |      |     |      |     |      |     |      |     |      |     |      |     |               |     |               |     |               |     |               |  |               |  |               |  |               |     |        |      |        |      |        |      |        |      |      |   |      |       |      |      |          |   |          |     |          |     |          |     |        |     |        |     |        |     |        |     |        |     |        |     |        |     |        |     |        |     |        |     |        |     |        |     |        |     |        |       |       |       |          |   |       |       |          |      |      |       |          |      |      |       |          |      |      |       |      |      |      |       |      |      |      |      |        |      |      |   |      |      |        |      |          |   |      |     |        |      |        |      |          |      |      |     |        |      |        |      |          |      |      |     |        |      |      |      |          |      |     |     |        |      |     |     |        |      |      |      |        |      |         |   |      |      |        |      |      |      |        |      |         |      |      |      |       |      |      |      |       |      |         |      |      |      |        |      |      |   |      |      |      |      |         |      |        |      |        |      |        |      |     |      |        |      |     |      |        |      |        |      |        |      |     |      |        |      |     |      |        |      |        |      |        |      |     |      |        |      |      |   |     |      |        |      |     |      |        |      |     |      |        |      |      |      |     |      |       |      |     |      |       |      |     |      |       |      |      |      |     |      |       |      |     |      |        |      |  |  |     |      |       |      |      |      |       |      |     |      |       |      |        |      |  |  |     |      |       |      |     |      |       |      |     |      |       |      |        |      |  |  |     |     |       |      |     |     |       |      |     |     |       |      |        |      |  |  |    |     |       |      |    |     |       |      |
| 17            | 296        | 83.46    | 1.90                   |             |         |               |            |          |                        |             |         |     |      |       |      |     |      |       |      |    |     |       |      |  |  |       |      |       |      |       |     |       |     |       |      |       |      |       |      |       |      |       |      |       |      |       |      |       |      |       |      |       |      |       |      |       |      |       |      |       |      |       |      |       |      |       |     |       |     |       |     |       |     |       |     |       |     |       |     |       |     |       |     |       |     |       |     |       |     |       |     |       |     |       |     |       |     |       |     |       |     |      |     |      |     |      |     |      |     |      |     |      |     |      |     |      |     |      |     |      |     |      |     |      |     |      |     |      |     |      |     |               |     |               |     |               |     |               |  |               |  |               |  |               |     |        |      |        |      |        |      |        |      |      |   |      |       |      |      |          |   |          |     |          |     |          |     |        |     |        |     |        |     |        |     |        |     |        |     |        |     |        |     |        |     |        |     |        |     |        |     |        |     |        |       |       |       |          |   |       |       |          |      |      |       |          |      |      |       |          |      |      |       |      |      |      |       |      |      |      |      |        |      |      |   |      |      |        |      |          |   |      |     |        |      |        |      |          |      |      |     |        |      |        |      |          |      |      |     |        |      |      |      |          |      |     |     |        |      |     |     |        |      |      |      |        |      |         |   |      |      |        |      |      |      |        |      |         |      |      |      |       |      |      |      |       |      |         |      |      |      |        |      |      |   |      |      |      |      |         |      |        |      |        |      |        |      |     |      |        |      |     |      |        |      |        |      |        |      |     |      |        |      |     |      |        |      |        |      |        |      |     |      |        |      |      |   |     |      |        |      |     |      |        |      |     |      |        |      |      |      |     |      |       |      |     |      |       |      |     |      |       |      |      |      |     |      |       |      |     |      |        |      |  |  |     |      |       |      |      |      |       |      |     |      |       |      |        |      |  |  |     |      |       |      |     |      |       |      |     |      |       |      |        |      |  |  |     |     |       |      |     |     |       |      |     |     |       |      |        |      |  |  |    |     |       |      |    |     |       |      |
| 19            | 260        | 73.16    | 2.2                    |             |         |               |            |          |                        |             |         |     |      |       |      |     |      |       |      |    |     |       |      |  |  |       |      |       |      |       |     |       |     |       |      |       |      |       |      |       |      |       |      |       |      |       |      |       |      |       |      |       |      |       |      |       |      |       |      |       |      |       |      |       |      |       |     |       |     |       |     |       |     |       |     |       |     |       |     |       |     |       |     |       |     |       |     |       |     |       |     |       |     |       |     |       |     |       |     |       |     |      |     |      |     |      |     |      |     |      |     |      |     |      |     |      |     |      |     |      |     |      |     |      |     |      |     |      |     |      |     |               |     |               |     |               |     |               |  |               |  |               |  |               |     |        |      |        |      |        |      |        |      |      |   |      |       |      |      |          |   |          |     |          |     |          |     |        |     |        |     |        |     |        |     |        |     |        |     |        |     |        |     |        |     |        |     |        |     |        |     |        |     |        |       |       |       |          |   |       |       |          |      |      |       |          |      |      |       |          |      |      |       |      |      |      |       |      |      |      |      |        |      |      |   |      |      |        |      |          |   |      |     |        |      |        |      |          |      |      |     |        |      |        |      |          |      |      |     |        |      |      |      |          |      |     |     |        |      |     |     |        |      |      |      |        |      |         |   |      |      |        |      |      |      |        |      |         |      |      |      |       |      |      |      |       |      |         |      |      |      |        |      |      |   |      |      |      |      |         |      |        |      |        |      |        |      |     |      |        |      |     |      |        |      |        |      |        |      |     |      |        |      |     |      |        |      |        |      |        |      |     |      |        |      |      |   |     |      |        |      |     |      |        |      |     |      |        |      |      |      |     |      |       |      |     |      |       |      |     |      |       |      |      |      |     |      |       |      |     |      |        |      |  |  |     |      |       |      |      |      |       |      |     |      |       |      |        |      |  |  |     |      |       |      |     |      |       |      |     |      |       |      |        |      |  |  |     |     |       |      |     |     |       |      |     |     |       |      |        |      |  |  |    |     |       |      |    |     |       |      |
| 20            | 243        | 68.38    | 2.3                    |             |         |               |            |          |                        |             |         |     |      |       |      |     |      |       |      |    |     |       |      |  |  |       |      |       |      |       |     |       |     |       |      |       |      |       |      |       |      |       |      |       |      |       |      |       |      |       |      |       |      |       |      |       |      |       |      |       |      |       |      |       |      |       |     |       |     |       |     |       |     |       |     |       |     |       |     |       |     |       |     |       |     |       |     |       |     |       |     |       |     |       |     |       |     |       |     |       |     |      |     |      |     |      |     |      |     |      |     |      |     |      |     |      |     |      |     |      |     |      |     |      |     |      |     |      |     |      |     |               |     |               |     |               |     |               |  |               |  |               |  |               |     |        |      |        |      |        |      |        |      |      |   |      |       |      |      |          |   |          |     |          |     |          |     |        |     |        |     |        |     |        |     |        |     |        |     |        |     |        |     |        |     |        |     |        |     |        |     |        |     |        |       |       |       |          |   |       |       |          |      |      |       |          |      |      |       |          |      |      |       |      |      |      |       |      |      |      |      |        |      |      |   |      |      |        |      |          |   |      |     |        |      |        |      |          |      |      |     |        |      |        |      |          |      |      |     |        |      |      |      |          |      |     |     |        |      |     |     |        |      |      |      |        |      |         |   |      |      |        |      |      |      |        |      |         |      |      |      |       |      |      |      |       |      |         |      |      |      |        |      |      |   |      |      |      |      |         |      |        |      |        |      |        |      |     |      |        |      |     |      |        |      |        |      |        |      |     |      |        |      |     |      |        |      |        |      |        |      |     |      |        |      |      |   |     |      |        |      |     |      |        |      |     |      |        |      |      |      |     |      |       |      |     |      |       |      |     |      |       |      |      |      |     |      |       |      |     |      |        |      |  |  |     |      |       |      |      |      |       |      |     |      |       |      |        |      |  |  |     |      |       |      |     |      |       |      |     |      |       |      |        |      |  |  |     |     |       |      |     |     |       |      |     |     |       |      |        |      |  |  |    |     |       |      |    |     |       |      |
| 24            | 210        | 59.10    | 2.7                    |             |         |               |            |          |                        |             |         |     |      |       |      |     |      |       |      |    |     |       |      |  |  |       |      |       |      |       |     |       |     |       |      |       |      |       |      |       |      |       |      |       |      |       |      |       |      |       |      |       |      |       |      |       |      |       |      |       |      |       |      |       |      |       |     |       |     |       |     |       |     |       |     |       |     |       |     |       |     |       |     |       |     |       |     |       |     |       |     |       |     |       |     |       |     |       |     |       |     |      |     |      |     |      |     |      |     |      |     |      |     |      |     |      |     |      |     |      |     |      |     |      |     |      |     |      |     |      |     |               |     |               |     |               |     |               |  |               |  |               |  |               |     |        |      |        |      |        |      |        |      |      |   |      |       |      |      |          |   |          |     |          |     |          |     |        |     |        |     |        |     |        |     |        |     |        |     |        |     |        |     |        |     |        |     |        |     |        |     |        |     |        |       |       |       |          |   |       |       |          |      |      |       |          |      |      |       |          |      |      |       |      |      |      |       |      |      |      |      |        |      |      |   |      |      |        |      |          |   |      |     |        |      |        |      |          |      |      |     |        |      |        |      |          |      |      |     |        |      |      |      |          |      |     |     |        |      |     |     |        |      |      |      |        |      |         |   |      |      |        |      |      |      |        |      |         |      |      |      |       |      |      |      |       |      |         |      |      |      |        |      |      |   |      |      |      |      |         |      |        |      |        |      |        |      |     |      |        |      |     |      |        |      |        |      |        |      |     |      |        |      |     |      |        |      |        |      |        |      |     |      |        |      |      |   |     |      |        |      |     |      |        |      |     |      |        |      |      |      |     |      |       |      |     |      |       |      |     |      |       |      |      |      |     |      |       |      |     |      |        |      |  |  |     |      |       |      |      |      |       |      |     |      |       |      |        |      |  |  |     |      |       |      |     |      |       |      |     |      |       |      |        |      |  |  |     |     |       |      |     |     |       |      |     |     |       |      |        |      |  |  |    |     |       |      |    |     |       |      |
| 1.3           | 4733       | 1032     | 0.85                   | F 47        | 4       |               |            |          |                        |             |         |     |      |       |      |     |      |       |      |    |     |       |      |  |  |       |      |       |      |       |     |       |     |       |      |       |      |       |      |       |      |       |      |       |      |       |      |       |      |       |      |       |      |       |      |       |      |       |      |       |      |       |      |       |      |       |     |       |     |       |     |       |     |       |     |       |     |       |     |       |     |       |     |       |     |       |     |       |     |       |     |       |     |       |     |       |     |       |     |       |     |      |     |      |     |      |     |      |     |      |     |      |     |      |     |      |     |      |     |      |     |      |     |      |     |      |     |      |     |      |     |               |     |               |     |               |     |               |  |               |  |               |  |               |     |        |      |        |      |        |      |        |      |      |   |      |       |      |      |          |   |          |     |          |     |          |     |        |     |        |     |        |     |        |     |        |     |        |     |        |     |        |     |        |     |        |     |        |     |        |     |        |     |        |       |       |       |          |   |       |       |          |      |      |       |          |      |      |       |          |      |      |       |      |      |      |       |      |      |      |      |        |      |      |   |      |      |        |      |          |   |      |     |        |      |        |      |          |      |      |     |        |      |        |      |          |      |      |     |        |      |      |      |          |      |     |     |        |      |     |     |        |      |      |      |        |      |         |   |      |      |        |      |      |      |        |      |         |      |      |      |       |      |      |      |       |      |         |      |      |      |        |      |      |   |      |      |      |      |         |      |        |      |        |      |        |      |     |      |        |      |     |      |        |      |        |      |        |      |     |      |        |      |     |      |        |      |        |      |        |      |     |      |        |      |      |   |     |      |        |      |     |      |        |      |     |      |        |      |      |      |     |      |       |      |     |      |       |      |     |      |       |      |      |      |     |      |       |      |     |      |        |      |  |  |     |      |       |      |      |      |       |      |     |      |       |      |        |      |  |  |     |      |       |      |     |      |       |      |     |      |       |      |        |      |  |  |     |     |       |      |     |     |       |      |     |     |       |      |        |      |  |  |    |     |       |      |    |     |       |      |
| 1.5           | 4160       | 907      | 0.97                   |             |         |               |            |          |                        |             |         |     |      |       |      |     |      |       |      |    |     |       |      |  |  |       |      |       |      |       |     |       |     |       |      |       |      |       |      |       |      |       |      |       |      |       |      |       |      |       |      |       |      |       |      |       |      |       |      |       |      |       |      |       |      |       |     |       |     |       |     |       |     |       |     |       |     |       |     |       |     |       |     |       |     |       |     |       |     |       |     |       |     |       |     |       |     |       |     |       |     |      |     |      |     |      |     |      |     |      |     |      |     |      |     |      |     |      |     |      |     |      |     |      |     |      |     |      |     |      |     |               |     |               |     |               |     |               |  |               |  |               |  |               |     |        |      |        |      |        |      |        |      |      |   |      |       |      |      |          |   |          |     |          |     |          |     |        |     |        |     |        |     |        |     |        |     |        |     |        |     |        |     |        |     |        |     |        |     |        |     |        |     |        |       |       |       |          |   |       |       |          |      |      |       |          |      |      |       |          |      |      |       |      |      |      |       |      |      |      |      |        |      |      |   |      |      |        |      |          |   |      |     |        |      |        |      |          |      |      |     |        |      |        |      |          |      |      |     |        |      |      |      |          |      |     |     |        |      |     |     |        |      |      |      |        |      |         |   |      |      |        |      |      |      |        |      |         |      |      |      |       |      |      |      |       |      |         |      |      |      |        |      |      |   |      |      |      |      |         |      |        |      |        |      |        |      |     |      |        |      |     |      |        |      |        |      |        |      |     |      |        |      |     |      |        |      |        |      |        |      |     |      |        |      |      |   |     |      |        |      |     |      |        |      |     |      |        |      |      |      |     |      |       |      |     |      |       |      |     |      |       |      |      |      |     |      |       |      |     |      |        |      |  |  |     |      |       |      |      |      |       |      |     |      |       |      |        |      |  |  |     |      |       |      |     |      |       |      |     |      |       |      |        |      |  |  |     |     |       |      |     |     |       |      |     |     |       |      |        |      |  |  |    |     |       |      |    |     |       |      |
| 1.7           | 3651       | 796      | 1.1                    |             |         |               |            |          |                        |             |         |     |      |       |      |     |      |       |      |    |     |       |      |  |  |       |      |       |      |       |     |       |     |       |      |       |      |       |      |       |      |       |      |       |      |       |      |       |      |       |      |       |      |       |      |       |      |       |      |       |      |       |      |       |      |       |     |       |     |       |     |       |     |       |     |       |     |       |     |       |     |       |     |       |     |       |     |       |     |       |     |       |     |       |     |       |     |       |     |       |     |      |     |      |     |      |     |      |     |      |     |      |     |      |     |      |     |      |     |      |     |      |     |      |     |      |     |      |     |      |     |               |     |               |     |               |     |               |  |               |  |               |  |               |     |        |      |        |      |        |      |        |      |      |   |      |       |      |      |          |   |          |     |          |     |          |     |        |     |        |     |        |     |        |     |        |     |        |     |        |     |        |     |        |     |        |     |        |     |        |     |        |     |        |       |       |       |          |   |       |       |          |      |      |       |          |      |      |       |          |      |      |       |      |      |      |       |      |      |      |      |        |      |      |   |      |      |        |      |          |   |      |     |        |      |        |      |          |      |      |     |        |      |        |      |          |      |      |     |        |      |      |      |          |      |     |     |        |      |     |     |        |      |      |      |        |      |         |   |      |      |        |      |      |      |        |      |         |      |      |      |       |      |      |      |       |      |         |      |      |      |        |      |      |   |      |      |      |      |         |      |        |      |        |      |        |      |     |      |        |      |     |      |        |      |        |      |        |      |     |      |        |      |     |      |        |      |        |      |        |      |     |      |        |      |      |   |     |      |        |      |     |      |        |      |     |      |        |      |      |      |     |      |       |      |     |      |       |      |     |      |       |      |      |      |     |      |       |      |     |      |        |      |  |  |     |      |       |      |      |      |       |      |     |      |       |      |        |      |  |  |     |      |       |      |     |      |       |      |     |      |       |      |        |      |  |  |     |     |       |      |     |     |       |      |     |     |       |      |        |      |  |  |    |     |       |      |    |     |       |      |
| 2.0           | 3210       | 700      | 1.3                    |             |         |               |            |          |                        |             |         |     |      |       |      |     |      |       |      |    |     |       |      |  |  |       |      |       |      |       |     |       |     |       |      |       |      |       |      |       |      |       |      |       |      |       |      |       |      |       |      |       |      |       |      |       |      |       |      |       |      |       |      |       |      |       |     |       |     |       |     |       |     |       |     |       |     |       |     |       |     |       |     |       |     |       |     |       |     |       |     |       |     |       |     |       |     |       |     |       |     |      |     |      |     |      |     |      |     |      |     |      |     |      |     |      |     |      |     |      |     |      |     |      |     |      |     |      |     |      |     |               |     |               |     |               |     |               |  |               |  |               |  |               |     |        |      |        |      |        |      |        |      |      |   |      |       |      |      |          |   |          |     |          |     |          |     |        |     |        |     |        |     |        |     |        |     |        |     |        |     |        |     |        |     |        |     |        |     |        |     |        |     |        |       |       |       |          |   |       |       |          |      |      |       |          |      |      |       |          |      |      |       |      |      |      |       |      |      |      |      |        |      |      |   |      |      |        |      |          |   |      |     |        |      |        |      |          |      |      |     |        |      |        |      |          |      |      |     |        |      |      |      |          |      |     |     |        |      |     |     |        |      |      |      |        |      |         |   |      |      |        |      |      |      |        |      |         |      |      |      |       |      |      |      |       |      |         |      |      |      |        |      |      |   |      |      |      |      |         |      |        |      |        |      |        |      |     |      |        |      |     |      |        |      |        |      |        |      |     |      |        |      |     |      |        |      |        |      |        |      |     |      |        |      |      |   |     |      |        |      |     |      |        |      |     |      |        |      |      |      |     |      |       |      |     |      |       |      |     |      |       |      |      |      |     |      |       |      |     |      |        |      |  |  |     |      |       |      |      |      |       |      |     |      |       |      |        |      |  |  |     |      |       |      |     |      |       |      |     |      |       |      |        |      |  |  |     |     |       |      |     |     |       |      |     |     |       |      |        |      |  |  |    |     |       |      |    |     |       |      |
| 2.3           | 2802       | 611      | 1.4                    |             |         |               |            |          |                        |             |         |     |      |       |      |     |      |       |      |    |     |       |      |  |  |       |      |       |      |       |     |       |     |       |      |       |      |       |      |       |      |       |      |       |      |       |      |       |      |       |      |       |      |       |      |       |      |       |      |       |      |       |      |       |      |       |     |       |     |       |     |       |     |       |     |       |     |       |     |       |     |       |     |       |     |       |     |       |     |       |     |       |     |       |     |       |     |       |     |       |     |      |     |      |     |      |     |      |     |      |     |      |     |      |     |      |     |      |     |      |     |      |     |      |     |      |     |      |     |      |     |               |     |               |     |               |     |               |  |               |  |               |  |               |     |        |      |        |      |        |      |        |      |      |   |      |       |      |      |          |   |          |     |          |     |          |     |        |     |        |     |        |     |        |     |        |     |        |     |        |     |        |     |        |     |        |     |        |     |        |     |        |     |        |       |       |       |          |   |       |       |          |      |      |       |          |      |      |       |          |      |      |       |      |      |      |       |      |      |      |      |        |      |      |   |      |      |        |      |          |   |      |     |        |      |        |      |          |      |      |     |        |      |        |      |          |      |      |     |        |      |      |      |          |      |     |     |        |      |     |     |        |      |      |      |        |      |         |   |      |      |        |      |      |      |        |      |         |      |      |      |       |      |      |      |       |      |         |      |      |      |        |      |      |   |      |      |      |      |         |      |        |      |        |      |        |      |     |      |        |      |     |      |        |      |        |      |        |      |     |      |        |      |     |      |        |      |        |      |        |      |     |      |        |      |      |   |     |      |        |      |     |      |        |      |     |      |        |      |      |      |     |      |       |      |     |      |       |      |     |      |       |      |      |      |     |      |       |      |     |      |        |      |  |  |     |      |       |      |      |      |       |      |     |      |       |      |        |      |  |  |     |      |       |      |     |      |       |      |     |      |       |      |        |      |  |  |     |     |       |      |     |     |       |      |     |     |       |      |        |      |  |  |    |     |       |      |    |     |       |      |
| 2.6           | 2449       | 534      | 1.7                    |             |         |               |            |          |                        |             |         |     |      |       |      |     |      |       |      |    |     |       |      |  |  |       |      |       |      |       |     |       |     |       |      |       |      |       |      |       |      |       |      |       |      |       |      |       |      |       |      |       |      |       |      |       |      |       |      |       |      |       |      |       |      |       |     |       |     |       |     |       |     |       |     |       |     |       |     |       |     |       |     |       |     |       |     |       |     |       |     |       |     |       |     |       |     |       |     |       |     |      |     |      |     |      |     |      |     |      |     |      |     |      |     |      |     |      |     |      |     |      |     |      |     |      |     |      |     |      |     |               |     |               |     |               |     |               |  |               |  |               |  |               |     |        |      |        |      |        |      |        |      |      |   |      |       |      |      |          |   |          |     |          |     |          |     |        |     |        |     |        |     |        |     |        |     |        |     |        |     |        |     |        |     |        |     |        |     |        |     |        |     |        |       |       |       |          |   |       |       |          |      |      |       |          |      |      |       |          |      |      |       |      |      |      |       |      |      |      |      |        |      |      |   |      |      |        |      |          |   |      |     |        |      |        |      |          |      |      |     |        |      |        |      |          |      |      |     |        |      |      |      |          |      |     |     |        |      |     |     |        |      |      |      |        |      |         |   |      |      |        |      |      |      |        |      |         |      |      |      |       |      |      |      |       |      |         |      |      |      |        |      |      |   |      |      |      |      |         |      |        |      |        |      |        |      |     |      |        |      |     |      |        |      |        |      |        |      |     |      |        |      |     |      |        |      |        |      |        |      |     |      |        |      |      |   |     |      |        |      |     |      |        |      |     |      |        |      |      |      |     |      |       |      |     |      |       |      |     |      |       |      |      |      |     |      |       |      |     |      |        |      |  |  |     |      |       |      |      |      |       |      |     |      |       |      |        |      |  |  |     |      |       |      |     |      |       |      |     |      |       |      |        |      |  |  |     |     |       |      |     |     |       |      |     |     |       |      |        |      |  |  |    |     |       |      |    |     |       |      |
| 2.9           | 2165       | 472      | 1.9                    |             |         |               |            |          |                        |             |         |     |      |       |      |     |      |       |      |    |     |       |      |  |  |       |      |       |      |       |     |       |     |       |      |       |      |       |      |       |      |       |      |       |      |       |      |       |      |       |      |       |      |       |      |       |      |       |      |       |      |       |      |       |      |       |     |       |     |       |     |       |     |       |     |       |     |       |     |       |     |       |     |       |     |       |     |       |     |       |     |       |     |       |     |       |     |       |     |       |     |      |     |      |     |      |     |      |     |      |     |      |     |      |     |      |     |      |     |      |     |      |     |      |     |      |     |      |     |      |     |               |     |               |     |               |     |               |  |               |  |               |  |               |     |        |      |        |      |        |      |        |      |      |   |      |       |      |      |          |   |          |     |          |     |          |     |        |     |        |     |        |     |        |     |        |     |        |     |        |     |        |     |        |     |        |     |        |     |        |     |        |     |        |       |       |       |          |   |       |       |          |      |      |       |          |      |      |       |          |      |      |       |      |      |      |       |      |      |      |      |        |      |      |   |      |      |        |      |          |   |      |     |        |      |        |      |          |      |      |     |        |      |        |      |          |      |      |     |        |      |      |      |          |      |     |     |        |      |     |     |        |      |      |      |        |      |         |   |      |      |        |      |      |      |        |      |         |      |      |      |       |      |      |      |       |      |         |      |      |      |        |      |      |   |      |      |      |      |         |      |        |      |        |      |        |      |     |      |        |      |     |      |        |      |        |      |        |      |     |      |        |      |     |      |        |      |        |      |        |      |     |      |        |      |      |   |     |      |        |      |     |      |        |      |     |      |        |      |      |      |     |      |       |      |     |      |       |      |     |      |       |      |      |      |     |      |       |      |     |      |        |      |  |  |     |      |       |      |      |      |       |      |     |      |       |      |        |      |  |  |     |      |       |      |     |      |       |      |     |      |       |      |        |      |  |  |     |     |       |      |     |     |       |      |     |     |       |      |        |      |  |  |    |     |       |      |    |     |       |      |
| 3.4           | 1880       | 410      | 2.1                    |             |         |               |            |          |                        |             |         |     |      |       |      |     |      |       |      |    |     |       |      |  |  |       |      |       |      |       |     |       |     |       |      |       |      |       |      |       |      |       |      |       |      |       |      |       |      |       |      |       |      |       |      |       |      |       |      |       |      |       |      |       |      |       |     |       |     |       |     |       |     |       |     |       |     |       |     |       |     |       |     |       |     |       |     |       |     |       |     |       |     |       |     |       |     |       |     |       |     |      |     |      |     |      |     |      |     |      |     |      |     |      |     |      |     |      |     |      |     |      |     |      |     |      |     |      |     |      |     |               |     |               |     |               |     |               |  |               |  |               |  |               |     |        |      |        |      |        |      |        |      |      |   |      |       |      |      |          |   |          |     |          |     |          |     |        |     |        |     |        |     |        |     |        |     |        |     |        |     |        |     |        |     |        |     |        |     |        |     |        |     |        |       |       |       |          |   |       |       |          |      |      |       |          |      |      |       |          |      |      |       |      |      |      |       |      |      |      |      |        |      |      |   |      |      |        |      |          |   |      |     |        |      |        |      |          |      |      |     |        |      |        |      |          |      |      |     |        |      |      |      |          |      |     |     |        |      |     |     |        |      |      |      |        |      |         |   |      |      |        |      |      |      |        |      |         |      |      |      |       |      |      |      |       |      |         |      |      |      |        |      |      |   |      |      |      |      |         |      |        |      |        |      |        |      |     |      |        |      |     |      |        |      |        |      |        |      |     |      |        |      |     |      |        |      |        |      |        |      |     |      |        |      |      |   |     |      |        |      |     |      |        |      |     |      |        |      |      |      |     |      |       |      |     |      |       |      |     |      |       |      |      |      |     |      |       |      |     |      |        |      |  |  |     |      |       |      |      |      |       |      |     |      |       |      |        |      |  |  |     |      |       |      |     |      |       |      |     |      |       |      |        |      |  |  |     |     |       |      |     |     |       |      |     |     |       |      |        |      |  |  |    |     |       |      |    |     |       |      |
| 3.8           | 1683       | 367      | 2.4                    |             |         |               |            |          |                        |             |         |     |      |       |      |     |      |       |      |    |     |       |      |  |  |       |      |       |      |       |     |       |     |       |      |       |      |       |      |       |      |       |      |       |      |       |      |       |      |       |      |       |      |       |      |       |      |       |      |       |      |       |      |       |      |       |     |       |     |       |     |       |     |       |     |       |     |       |     |       |     |       |     |       |     |       |     |       |     |       |     |       |     |       |     |       |     |       |     |       |     |      |     |      |     |      |     |      |     |      |     |      |     |      |     |      |     |      |     |      |     |      |     |      |     |      |     |      |     |      |     |               |     |               |     |               |     |               |  |               |  |               |  |               |     |        |      |        |      |        |      |        |      |      |   |      |       |      |      |          |   |          |     |          |     |          |     |        |     |        |     |        |     |        |     |        |     |        |     |        |     |        |     |        |     |        |     |        |     |        |     |        |     |        |       |       |       |          |   |       |       |          |      |      |       |          |      |      |       |          |      |      |       |      |      |      |       |      |      |      |      |        |      |      |   |      |      |        |      |          |   |      |     |        |      |        |      |          |      |      |     |        |      |        |      |          |      |      |     |        |      |      |      |          |      |     |     |        |      |     |     |        |      |      |      |        |      |         |   |      |      |        |      |      |      |        |      |         |      |      |      |       |      |      |      |       |      |         |      |      |      |        |      |      |   |      |      |      |      |         |      |        |      |        |      |        |      |     |      |        |      |     |      |        |      |        |      |        |      |     |      |        |      |     |      |        |      |        |      |        |      |     |      |        |      |      |   |     |      |        |      |     |      |        |      |     |      |        |      |      |      |     |      |       |      |     |      |       |      |     |      |       |      |      |      |     |      |       |      |     |      |        |      |  |  |     |      |       |      |      |      |       |      |     |      |       |      |        |      |  |  |     |      |       |      |     |      |       |      |     |      |       |      |        |      |  |  |     |     |       |      |     |     |       |      |     |     |       |      |        |      |  |  |    |     |       |      |    |     |       |      |
| 13            | 371        | 104.33   | 1.01                   |             |         |               |            |          |                        |             |         |     |      |       |      |     |      |       |      |    |     |       |      |  |  |       |      |       |      |       |     |       |     |       |      |       |      |       |      |       |      |       |      |       |      |       |      |       |      |       |      |       |      |       |      |       |      |       |      |       |      |       |      |       |      |       |     |       |     |       |     |       |     |       |     |       |     |       |     |       |     |       |     |       |     |       |     |       |     |       |     |       |     |       |     |       |     |       |     |       |     |      |     |      |     |      |     |      |     |      |     |      |     |      |     |      |     |      |     |      |     |      |     |      |     |      |     |      |     |      |     |               |     |               |     |               |     |               |  |               |  |               |  |               |     |        |      |        |      |        |      |        |      |      |   |      |       |      |      |          |   |          |     |          |     |          |     |        |     |        |     |        |     |        |     |        |     |        |     |        |     |        |     |        |     |        |     |        |     |        |     |        |     |        |       |       |       |          |   |       |       |          |      |      |       |          |      |      |       |          |      |      |       |      |      |      |       |      |      |      |      |        |      |      |   |      |      |        |      |          |   |      |     |        |      |        |      |          |      |      |     |        |      |        |      |          |      |      |     |        |      |      |      |          |      |     |     |        |      |     |     |        |      |      |      |        |      |         |   |      |      |        |      |      |      |        |      |         |      |      |      |       |      |      |      |       |      |         |      |      |      |        |      |      |   |      |      |      |      |         |      |        |      |        |      |        |      |     |      |        |      |     |      |        |      |        |      |        |      |     |      |        |      |     |      |        |      |        |      |        |      |     |      |        |      |      |   |     |      |        |      |     |      |        |      |     |      |        |      |      |      |     |      |       |      |     |      |       |      |     |      |       |      |      |      |     |      |       |      |     |      |        |      |  |  |     |      |       |      |      |      |       |      |     |      |       |      |        |      |  |  |     |      |       |      |     |      |       |      |     |      |       |      |        |      |  |  |     |     |       |      |     |     |       |      |     |     |       |      |        |      |  |  |    |     |       |      |    |     |       |      |
| 16            | 315        | 88.65    | 1.19                   |             |         |               |            |          |                        |             |         |     |      |       |      |     |      |       |      |    |     |       |      |  |  |       |      |       |      |       |     |       |     |       |      |       |      |       |      |       |      |       |      |       |      |       |      |       |      |       |      |       |      |       |      |       |      |       |      |       |      |       |      |       |      |       |     |       |     |       |     |       |     |       |     |       |     |       |     |       |     |       |     |       |     |       |     |       |     |       |     |       |     |       |     |       |     |       |     |       |     |      |     |      |     |      |     |      |     |      |     |      |     |      |     |      |     |      |     |      |     |      |     |      |     |      |     |      |     |      |     |               |     |               |     |               |     |               |  |               |  |               |  |               |     |        |      |        |      |        |      |        |      |      |   |      |       |      |      |          |   |          |     |          |     |          |     |        |     |        |     |        |     |        |     |        |     |        |     |        |     |        |     |        |     |        |     |        |     |        |     |        |     |        |       |       |       |          |   |       |       |          |      |      |       |          |      |      |       |          |      |      |       |      |      |      |       |      |      |      |      |        |      |      |   |      |      |        |      |          |   |      |     |        |      |        |      |          |      |      |     |        |      |        |      |          |      |      |     |        |      |      |      |          |      |     |     |        |      |     |     |        |      |      |      |        |      |         |   |      |      |        |      |      |      |        |      |         |      |      |      |       |      |      |      |       |      |         |      |      |      |        |      |      |   |      |      |      |      |         |      |        |      |        |      |        |      |     |      |        |      |     |      |        |      |        |      |        |      |     |      |        |      |     |      |        |      |        |      |        |      |     |      |        |      |      |   |     |      |        |      |     |      |        |      |     |      |        |      |      |      |     |      |       |      |     |      |       |      |     |      |       |      |      |      |     |      |       |      |     |      |        |      |  |  |     |      |       |      |      |      |       |      |     |      |       |      |        |      |  |  |     |      |       |      |     |      |       |      |     |      |       |      |        |      |  |  |     |     |       |      |     |     |       |      |     |     |       |      |        |      |  |  |    |     |       |      |    |     |       |      |
| 18            | 281        | 79.15    | 1.34                   |             |         |               |            |          |                        |             |         |     |      |       |      |     |      |       |      |    |     |       |      |  |  |       |      |       |      |       |     |       |     |       |      |       |      |       |      |       |      |       |      |       |      |       |      |       |      |       |      |       |      |       |      |       |      |       |      |       |      |       |      |       |      |       |     |       |     |       |     |       |     |       |     |       |     |       |     |       |     |       |     |       |     |       |     |       |     |       |     |       |     |       |     |       |     |       |     |       |     |      |     |      |     |      |     |      |     |      |     |      |     |      |     |      |     |      |     |      |     |      |     |      |     |      |     |      |     |      |     |               |     |               |     |               |     |               |  |               |  |               |  |               |     |        |      |        |      |        |      |        |      |      |   |      |       |      |      |          |   |          |     |          |     |          |     |        |     |        |     |        |     |        |     |        |     |        |     |        |     |        |     |        |     |        |     |        |     |        |     |        |     |        |       |       |       |          |   |       |       |          |      |      |       |          |      |      |       |          |      |      |       |      |      |      |       |      |      |      |      |        |      |      |   |      |      |        |      |          |   |      |     |        |      |        |      |          |      |      |     |        |      |        |      |          |      |      |     |        |      |      |      |          |      |     |     |        |      |     |     |        |      |      |      |        |      |         |   |      |      |        |      |      |      |        |      |         |      |      |      |       |      |      |      |       |      |         |      |      |      |        |      |      |   |      |      |      |      |         |      |        |      |        |      |        |      |     |      |        |      |     |      |        |      |        |      |        |      |     |      |        |      |     |      |        |      |        |      |        |      |     |      |        |      |      |   |     |      |        |      |     |      |        |      |     |      |        |      |      |      |     |      |       |      |     |      |       |      |     |      |       |      |      |      |     |      |       |      |     |      |        |      |  |  |     |      |       |      |      |      |       |      |     |      |       |      |        |      |  |  |     |      |       |      |     |      |       |      |     |      |       |      |        |      |  |  |     |     |       |      |     |     |       |      |     |     |       |      |        |      |  |  |    |     |       |      |    |     |       |      |
| 21            | 240        | 67.61    | 1.57                   |             |         |               |            |          |                        |             |         |     |      |       |      |     |      |       |      |    |     |       |      |  |  |       |      |       |      |       |     |       |     |       |      |       |      |       |      |       |      |       |      |       |      |       |      |       |      |       |      |       |      |       |      |       |      |       |      |       |      |       |      |       |      |       |     |       |     |       |     |       |     |       |     |       |     |       |     |       |     |       |     |       |     |       |     |       |     |       |     |       |     |       |     |       |     |       |     |       |     |      |     |      |     |      |     |      |     |      |     |      |     |      |     |      |     |      |     |      |     |      |     |      |     |      |     |      |     |      |     |               |     |               |     |               |     |               |  |               |  |               |  |               |     |        |      |        |      |        |      |        |      |      |   |      |       |      |      |          |   |          |     |          |     |          |     |        |     |        |     |        |     |        |     |        |     |        |     |        |     |        |     |        |     |        |     |        |     |        |     |        |     |        |       |       |       |          |   |       |       |          |      |      |       |          |      |      |       |          |      |      |       |      |      |      |       |      |      |      |      |        |      |      |   |      |      |        |      |          |   |      |     |        |      |        |      |          |      |      |     |        |      |        |      |          |      |      |     |        |      |      |      |          |      |     |     |        |      |     |     |        |      |      |      |        |      |         |   |      |      |        |      |      |      |        |      |         |      |      |      |       |      |      |      |       |      |         |      |      |      |        |      |      |   |      |      |      |      |         |      |        |      |        |      |        |      |     |      |        |      |     |      |        |      |        |      |        |      |     |      |        |      |     |      |        |      |        |      |        |      |     |      |        |      |      |   |     |      |        |      |     |      |        |      |     |      |        |      |      |      |     |      |       |      |     |      |       |      |     |      |       |      |      |      |     |      |       |      |     |      |        |      |  |  |     |      |       |      |      |      |       |      |     |      |       |      |        |      |  |  |     |      |       |      |     |      |       |      |     |      |       |      |        |      |  |  |     |     |       |      |     |     |       |      |     |     |       |      |        |      |  |  |    |     |       |      |    |     |       |      |

减速机的外形安装尺寸在95页到101页里查找。The appearance of reducer installation dimensions in 95 to 101 page search page.





| 输出转速<br>r/min | 输出扭矩<br>Nm | 传动比<br>i | 使用系数<br>f <sub>B</sub> | 机型号<br>Type | 极数<br>p | 输出转速<br>r/min | 输出扭矩<br>Nm | 传动比<br>i | 使用系数<br>f <sub>B</sub> | 机型号<br>Type | 极数<br>p |          |       |        |      |         |       |          |      |         |       |        |       |          |       |        |       |        |       |        |       |        |       |        |       |        |       |        |       |          |       |        |       |        |       |          |       |        |       |        |       |          |       |        |       |        |       |          |       |        |       |        |       |          |       |        |       |          |       |        |       |        |       |          |       |        |       |        |       |          |       |          |      |        |      |        |       |        |      |        |       |        |       |        |       |        |       |        |       |        |       |          |       |        |       |        |       |          |      |        |       |        |       |          |      |          |      |        |       |        |       |          |       |        |       |          |       |        |       |          |       |        |       |        |       |        |       |        |       |        |       |        |       |        |       |          |       |        |       |          |       |        |       |        |       |        |       |          |       |          |       |        |       |        |       |        |       |        |       |        |       |        |       |        |       |        |      |          |      |        |       |        |      |        |       |        |       |          |       |        |       |        |       |       |       |        |       |        |       |        |       |        |       |        |       |        |       |        |       |        |       |          |       |          |      |          |      |          |      |        |      |        |       |        |      |          |       |        |       |        |       |        |       |        |       |        |       |        |       |        |       |        |       |        |       |        |       |          |      |       |       |          |      |        |       |        |       |        |       |        |       |        |       |        |       |          |       |          |       |        |      |       |       |        |      |        |       |        |      |          |      |        |       |          |       |        |       |        |       |        |       |        |       |       |       |       |       |        |       |          |       |          |       |          |       |        |       |          |      |        |       |        |       |       |       |        |       |          |       |       |       |       |       |      |       |        |       |      |       |       |       |      |       |       |       |      |       |      |       |      |       |      |      |      |       |      |       |      |       |      |       |      |       |      |       |      |       |      |       |      |      |      |       |      |       |      |       |      |       |      |       |      |       |      |       |      |       |      |      |      |       |      |      |      |       |      |      |      |       |      |      |      |      |      |      |      |      |      |      |     |      |      |      |     |      |      |      |     |      |      |      |     |      |     |      |
|---------------|------------|----------|------------------------|-------------|---------|---------------|------------|----------|------------------------|-------------|---------|----------|-------|--------|------|---------|-------|----------|------|---------|-------|--------|-------|----------|-------|--------|-------|--------|-------|--------|-------|--------|-------|--------|-------|--------|-------|--------|-------|----------|-------|--------|-------|--------|-------|----------|-------|--------|-------|--------|-------|----------|-------|--------|-------|--------|-------|----------|-------|--------|-------|--------|-------|----------|-------|--------|-------|----------|-------|--------|-------|--------|-------|----------|-------|--------|-------|--------|-------|----------|-------|----------|------|--------|------|--------|-------|--------|------|--------|-------|--------|-------|--------|-------|--------|-------|--------|-------|--------|-------|----------|-------|--------|-------|--------|-------|----------|------|--------|-------|--------|-------|----------|------|----------|------|--------|-------|--------|-------|----------|-------|--------|-------|----------|-------|--------|-------|----------|-------|--------|-------|--------|-------|--------|-------|--------|-------|--------|-------|--------|-------|--------|-------|----------|-------|--------|-------|----------|-------|--------|-------|--------|-------|--------|-------|----------|-------|----------|-------|--------|-------|--------|-------|--------|-------|--------|-------|--------|-------|--------|-------|--------|-------|--------|------|----------|------|--------|-------|--------|------|--------|-------|--------|-------|----------|-------|--------|-------|--------|-------|-------|-------|--------|-------|--------|-------|--------|-------|--------|-------|--------|-------|--------|-------|--------|-------|--------|-------|----------|-------|----------|------|----------|------|----------|------|--------|------|--------|-------|--------|------|----------|-------|--------|-------|--------|-------|--------|-------|--------|-------|--------|-------|--------|-------|--------|-------|--------|-------|--------|-------|--------|-------|----------|------|-------|-------|----------|------|--------|-------|--------|-------|--------|-------|--------|-------|--------|-------|--------|-------|----------|-------|----------|-------|--------|------|-------|-------|--------|------|--------|-------|--------|------|----------|------|--------|-------|----------|-------|--------|-------|--------|-------|--------|-------|--------|-------|-------|-------|-------|-------|--------|-------|----------|-------|----------|-------|----------|-------|--------|-------|----------|------|--------|-------|--------|-------|-------|-------|--------|-------|----------|-------|-------|-------|-------|-------|------|-------|--------|-------|------|-------|-------|-------|------|-------|-------|-------|------|-------|------|-------|------|-------|------|------|------|-------|------|-------|------|-------|------|-------|------|-------|------|-------|------|-------|------|-------|------|------|------|-------|------|-------|------|-------|------|-------|------|-------|------|-------|------|-------|------|-------|------|------|------|-------|------|------|------|-------|------|------|------|-------|------|------|------|------|------|------|------|------|------|------|-----|------|------|------|-----|------|------|------|-----|------|------|------|-----|------|-----|------|
| <b>0.75kW</b> |            |          |                        |             |         | <b>0.75kW</b> |            |          |                        |             |         |          |       |        |      |         |       |          |      |         |       |        |       |          |       |        |       |        |       |        |       |        |       |        |       |        |       |        |       |          |       |        |       |        |       |          |       |        |       |        |       |          |       |        |       |        |       |          |       |        |       |        |       |          |       |        |       |          |       |        |       |        |       |          |       |        |       |        |       |          |       |          |      |        |      |        |       |        |      |        |       |        |       |        |       |        |       |        |       |        |       |          |       |        |       |        |       |          |      |        |       |        |       |          |      |          |      |        |       |        |       |          |       |        |       |          |       |        |       |          |       |        |       |        |       |        |       |        |       |        |       |        |       |        |       |          |       |        |       |          |       |        |       |        |       |        |       |          |       |          |       |        |       |        |       |        |       |        |       |        |       |        |       |        |       |        |      |          |      |        |       |        |      |        |       |        |       |          |       |        |       |        |       |       |       |        |       |        |       |        |       |        |       |        |       |        |       |        |       |        |       |          |       |          |      |          |      |          |      |        |      |        |       |        |      |          |       |        |       |        |       |        |       |        |       |        |       |        |       |        |       |        |       |        |       |        |       |          |      |       |       |          |      |        |       |        |       |        |       |        |       |        |       |        |       |          |       |          |       |        |      |       |       |        |      |        |       |        |      |          |      |        |       |          |       |        |       |        |       |        |       |        |       |       |       |       |       |        |       |          |       |          |       |          |       |        |       |          |      |        |       |        |       |       |       |        |       |          |       |       |       |       |       |      |       |        |       |      |       |       |       |      |       |       |       |      |       |      |       |      |       |      |      |      |       |      |       |      |       |      |       |      |       |      |       |      |       |      |       |      |      |      |       |      |       |      |       |      |       |      |       |      |       |      |       |      |       |      |      |      |       |      |      |      |       |      |      |      |       |      |      |      |      |      |      |      |      |      |      |     |      |      |      |     |      |      |      |     |      |      |      |     |      |     |      |
| 2.1           | 3091       | 674      | 0.91                   | F 87R57     | 4       | 19            | 354        | 73.16    | 1.59                   | F 57        | 4       |          |       |        |      |         |       |          |      |         |       |        |       |          |       |        |       |        |       |        |       |        |       |        |       |        |       |        |       |          |       |        |       |        |       |          |       |        |       |        |       |          |       |        |       |        |       |          |       |        |       |        |       |          |       |        |       |          |       |        |       |        |       |          |       |        |       |        |       |          |       |          |      |        |      |        |       |        |      |        |       |        |       |        |       |        |       |        |       |        |       |          |       |        |       |        |       |          |      |        |       |        |       |          |      |          |      |        |       |        |       |          |       |        |       |          |       |        |       |          |       |        |       |        |       |        |       |        |       |        |       |        |       |        |       |          |       |        |       |          |       |        |       |        |       |        |       |          |       |          |       |        |       |        |       |        |       |        |       |        |       |        |       |        |       |        |      |          |      |        |       |        |      |        |       |        |       |          |       |        |       |        |       |       |       |        |       |        |       |        |       |        |       |        |       |        |       |        |       |        |       |          |       |          |      |          |      |          |      |        |      |        |       |        |      |          |       |        |       |        |       |        |       |        |       |        |       |        |       |        |       |        |       |        |       |        |       |          |      |       |       |          |      |        |       |        |       |        |       |        |       |        |       |        |       |          |       |          |       |        |      |       |       |        |      |        |       |        |      |          |      |        |       |          |       |        |       |        |       |        |       |        |       |       |       |       |       |        |       |          |       |          |       |          |       |        |       |          |      |        |       |        |       |       |       |        |       |          |       |       |       |       |       |      |       |        |       |      |       |       |       |      |       |       |       |      |       |      |       |      |       |      |      |      |       |      |       |      |       |      |       |      |       |      |       |      |       |      |       |      |      |      |       |      |       |      |       |      |       |      |       |      |       |      |       |      |       |      |      |      |       |      |      |      |       |      |      |      |       |      |      |      |      |      |      |      |      |      |      |     |      |      |      |     |      |      |      |     |      |      |      |     |      |     |      |
| 2.3           | 2793       | 609      | 1.01                   |             |         | 2.7           | 2362       | 515      | 1.19                   |             |         | 3.1      | 2073  | 452    | 1.36 | 4.0     | 1582  | 345      | 1.78 | 3.9     | 1637  | 357    | 0.86  | F 77R37  | 4     | 17     | 386   | 79.72  | 0.97  | F 47   | 4     | 4.4    | 1440  | 314    | 0.98  | 5.1    | 1247  | 272    | 1.13  | 2.7      | 2519  | 255.25 | 2.9   | F 107  | 8     | 2.5      | 2739  | 276.64 | 1.5   | F 97   | 8     | 20       | 330   | 68.09  | 1.14  | 2.7    | 2523  | 254.79   | 1.6   | 3.0    | 2241  | 226.34 | 1.8   | 3.3      | 2047  | 276.64 | 2.0   | F 97     | 6     | 21     | 317   | 65.36  | 1.19  | 3.6      | 1885  | 254.79 | 2.1   | 4.0    | 1675  | 226.34   | 2.4   | 3.3      | 2012 | 271.92 | 1.40 | F 87   | 6     | 25     | 272  | 56.09  | 1.38  | 3.6    | 1886  | 254.93 | 1.50  | 4.0    | 1691  | 228.57 | 1.67  | 4.6    | 1456  | 196.85   | 1.94  | 5.1    | 1324  | 178.95 | 2.1   | 5.7      | 1181 | 159.61 | 2.4   | 5.1    | 1317  | 271.92   | 2.1  | F 87     | 4    | 29     | 231   | 47.66  | 1.63  | 5.4      | 1235  | 254.93 | 2.3   | 6.1      | 1107  | 228.57 | 2.5   | 4.6      | 1467  | 198.31 | 0.96  | F 77   | 6     | 33     | 206   | 42.55  | 1.82  | 4.8    | 1394  | 188.40 | 1.01  | 5.5    | 1232  | 166.47   | 1.14  | 6.4    | 1053  | 142.27   | 1.34  | 7.0    | 965   | 130.42 | 1.46  | 6.2    | 1094  | 225.79   | 1.29  | F 77     | 4     | 38     | 176   | 36.34  | 2.1   | 7.0    | 961   | 198.31 | 1.47  | 7.4    | 913   | 188.40 | 1.55  | 8.3    | 806   | 166.47 | 1.75 | 9.8      | 689  | 142.27 | 2.0   | 11     | 632  | 130.42 | 2.2   | 12     | 554   | 114.45   | 2.5   | 13     | 525   | 108.46 | 2.7   | 8.1   | 828   | 170.85 | 0.93  | F 67   | 4     | 41     | 165   | 34.04  | 2.3   | 8.6    | 786   | 162.31 | 0.98  | 9.8    | 690   | 142.40 | 1.12  | 12       | 585   | 120.79   | 1.32 | 13       | 528  | 109.04   | 1.46 | 14     | 465  | 95.94  | 1.66  | 15     | 439  | 90.59    | 1.76  | 18     | 378   | 77.97  | 2.0   | 21     | 320   | 66.13  | 2.4   | 23     | 289   | 59.70  | 2.7   | 11     | 616   | 127.27 | 0.91  | F 57   | 4     | 48     | 139   | 28.67    | 2.7  | 13    | 533   | 110.01   | 1.06 | 15     | 453   | 93.47  | 1.25  | 17     | 404   | 83.46  | 1.40  | 11     | 616   | 127.27 | 0.91  | F 107R77 | 4     | 30       | 228   | 47.02  | 0.83 | 13    | 533   | 110.01 | 1.06 | 15     | 453   | 93.47  | 1.25 | 17       | 404  | 83.46  | 1.40  | 0.50     | 18539 | 2776   | 0.91  | 0.58   | 16208 | 2427   | 1.04  | 0.64   | 14592 | 2185  | 1.16  | 0.72  | 12982 | 1944   | 1.30  | 0.84     | 11179 | 1674     | 1.51  | 1.1      | 8735  | 1308   | 1.94  | 1.2      | 7807 | 1169   | 2.2   | 1.5    | 6364  | 953   | 2.7   | 1.7    | 5643  | 845      | 3.0   | 3.1   | 2978  | 446   | 5.7   | 4.7  | 2010  | 301    | 8.4   | 0.68 | 13717 | 2054  | 0.82  | 0.78 | 12007 | 1798  | 0.94  | 0.86 | 10812 | 1619 | 1.04  | 1.0  | 9356  | 1401 | 1.21 | 1.1  | 8214  | 1230 | 1.37  | 1.3  | 7246  | 1085 | 1.56  | 1.1  | 8301  | 1243 | 0.89  | 1.3  | 7259  | 1087 | 1.02  | 1.5  | 6344 | 950  | 1.16  | 1.7  | 5570  | 834  | 1.32  | 1.9  | 4915  | 736  | 1.50  | 2.2  | 4274  | 640  | 1.72  |      |       |      |      |      |       |      |      |      |       |      |      |      |       |      |      |      |      |      |      |      |      |      |      |     |      |      |      |     |      |      |      |     |      |      |      |     |      |     |      |
| 2.7           | 2362       | 515      | 1.19                   |             |         | 3.1           | 2073       | 452      | 1.36                   |             |         | 4.0      | 1582  | 345    | 1.78 | 3.9     | 1637  | 357      | 0.86 | F 77R37 | 4     | 17     | 386   |          |       | 79.72  | 0.97  | F 47   | 4     |        |       | 4.4    | 1440  | 314    | 0.98  | 5.1    | 1247  | 272    | 1.13  | 2.7      | 2519  | 255.25 | 2.9   | F 107  | 8     | 2.5      | 2739  | 276.64 | 1.5   |        |       | F 97     | 8     | 20     | 330   | 68.09  | 1.14  | 2.7      | 2523  | 254.79 | 1.6   | 3.0    | 2241  | 226.34   | 1.8   | 3.3    | 2047  |          |       | 276.64 | 2.0   | F 97   | 6     | 21       | 317   | 65.36  | 1.19  | 3.6    | 1885  | 254.79   | 2.1   | 4.0      | 1675 | 226.34 | 2.4  |        |       | 3.3    | 2012 | 271.92 | 1.40  | F 87   | 6     | 25     | 272   | 56.09  | 1.38  | 3.6    | 1886  | 254.93 | 1.50  | 4.0      | 1691  | 228.57 | 1.67  | 4.6    | 1456  | 196.85   | 1.94 | 5.1    | 1324  | 178.95 | 2.1   | 5.7      | 1181 |          |      | 159.61 | 2.4   | 5.1    | 1317  | 271.92   | 2.1   | F 87   | 4     | 29       | 231   | 47.66  | 1.63  | 5.4      | 1235  | 254.93 | 2.3   |        |       | 6.1    | 1107  | 228.57 | 2.5   | 4.6    | 1467  | 198.31 | 0.96  | F 77   | 6     | 33       | 206   | 42.55  | 1.82  | 4.8      | 1394  | 188.40 | 1.01  | 5.5    | 1232  | 166.47 | 1.14  | 6.4      | 1053  |          |       | 142.27 | 1.34  | 7.0    | 965   | 130.42 | 1.46  | 6.2    | 1094  | 225.79 | 1.29  | F 77   | 4     | 38     | 176   | 36.34  | 2.1  | 7.0      | 961  | 198.31 | 1.47  | 7.4    | 913  | 188.40 | 1.55  | 8.3    | 806   | 166.47   | 1.75  | 9.8    | 689   | 142.27 | 2.0   | 11    | 632   | 130.42 | 2.2   |        |       | 12     | 554   | 114.45 | 2.5   | 13     | 525   | 108.46 | 2.7   | 8.1    | 828   | 170.85 | 0.93  | F 67     | 4     | 41       | 165  | 34.04    | 2.3  | 8.6      | 786  | 162.31 | 0.98 | 9.8    | 690   | 142.40 | 1.12 | 12       | 585   | 120.79 | 1.32  | 13     | 528   | 109.04 | 1.46  | 14     | 465   | 95.94  | 1.66  | 15     | 439   | 90.59  | 1.76  | 18     | 378   |        |       | 77.97  | 2.0   | 21       | 320  | 66.13 | 2.4   | 23       | 289  | 59.70  | 2.7   | 11     | 616   | 127.27 | 0.91  | F 57   | 4     | 48     | 139   | 28.67  | 2.7   |          |       | 13       | 533   | 110.01 | 1.06 | 15    | 453   | 93.47  | 1.25 | 17     | 404   | 83.46  | 1.40 | 11       | 616  | 127.27 | 0.91  | F 107R77 | 4     | 30     | 228   | 47.02  | 0.83  | 13     | 533   | 110.01 | 1.06  | 15    | 453   | 93.47 | 1.25  | 17     | 404   | 83.46    | 1.40  | 0.50     | 18539 | 2776     | 0.91  | 0.58   | 16208 | 2427     | 1.04 | 0.64   | 14592 | 2185   | 1.16  | 0.72  | 12982 | 1944   | 1.30  | 0.84     | 11179 | 1674  | 1.51  | 1.1   | 8735  | 1308 | 1.94  | 1.2    | 7807  | 1169 | 2.2   | 1.5   | 6364  | 953  | 2.7   | 1.7   | 5643  | 845  | 3.0   | 3.1  | 2978  | 446  | 5.7   | 4.7  | 2010 | 301  | 8.4   | 0.68 | 13717 | 2054 | 0.82  | 0.78 | 12007 | 1798 | 0.94  | 0.86 | 10812 | 1619 | 1.04  | 1.0  | 9356  | 1401 | 1.21 | 1.1  | 8214  | 1230 | 1.37  | 1.3  | 7246  | 1085 | 1.56  | 1.1  | 8301  | 1243 | 0.89  | 1.3  | 7259  | 1087 | 1.02  | 1.5  | 6344 | 950  | 1.16  | 1.7  | 5570 | 834  | 1.32  | 1.9  | 4915 | 736  | 1.50  | 2.2  | 4274 | 640  | 1.72 |      |      |      |      |      |      |     |      |      |      |     |      |      |      |     |      |      |      |     |      |     |      |
| 3.1           | 2073       | 452      | 1.36                   |             |         | 4.0           | 1582       | 345      | 1.78                   |             |         | 3.9      | 1637  | 357    | 0.86 | F 77R37 | 4     | 17       | 386  |         |       | 79.72  | 0.97  |          |       | F 47   | 4     |        |       |        |       | 4.4    | 1440  | 314    | 0.98  | 5.1    | 1247  | 272    | 1.13  | 2.7      | 2519  | 255.25 | 2.9   | F 107  | 8     | 2.5      | 2739  | 276.64 | 1.5   |        |       |          |       | F 97   | 8     | 20     | 330   | 68.09    | 1.14  | 2.7    | 2523  | 254.79 | 1.6   | 3.0      | 2241  | 226.34 | 1.8   |          |       | 3.3    | 2047  |        |       | 276.64   | 2.0   | F 97   | 6     | 21     | 317   | 65.36    | 1.19  | 3.6      | 1885 | 254.79 | 2.1  |        |       | 4.0    | 1675 | 226.34 | 2.4   |        |       | 3.3    | 2012  | 271.92 | 1.40  | F 87   | 6     | 25     | 272   | 56.09    | 1.38  | 3.6    | 1886  | 254.93 | 1.50  | 4.0      | 1691 | 228.57 | 1.67  | 4.6    | 1456  | 196.85   | 1.94 |          |      | 5.1    | 1324  | 178.95 | 2.1   | 5.7      | 1181  |        |       | 159.61   | 2.4   | 5.1    | 1317  | 271.92   | 2.1   | F 87   | 4     |        |       | 29     | 231   | 47.66  | 1.63  | 5.4    | 1235  | 254.93 | 2.3   |        |       | 6.1      | 1107  | 228.57 | 2.5   | 4.6      | 1467  | 198.31 | 0.96  | F 77   | 6     | 33     | 206   | 42.55    | 1.82  |          |       | 4.8    | 1394  | 188.40 | 1.01  | 5.5    | 1232  | 166.47 | 1.14  | 6.4    | 1053  |        |       | 142.27 | 1.34  | 7.0    | 965  | 130.42   | 1.46 | 6.2    | 1094  | 225.79 | 1.29 | F 77   | 4     | 38     | 176   | 36.34    | 2.1   | 7.0    | 961   | 198.31 | 1.47  | 7.4   | 913   | 188.40 | 1.55  |        |       | 8.3    | 806   | 166.47 | 1.75  | 9.8    | 689   | 142.27 | 2.0   | 11     | 632   | 130.42 | 2.2   |          |       | 12       | 554  | 114.45   | 2.5  | 13       | 525  | 108.46 | 2.7  | 8.1    | 828   | 170.85 | 0.93 | F 67     | 4     | 41     | 165   | 34.04  | 2.3   | 8.6    | 786   | 162.31 | 0.98  | 9.8    | 690   | 142.40 | 1.12  | 12     | 585   | 120.79 | 1.32  |        |       | 13     | 528   | 109.04   | 1.46 | 14    | 465   | 95.94    | 1.66 | 15     | 439   | 90.59  | 1.76  | 18     | 378   |        |       | 77.97  | 2.0   | 21     | 320   |          |       | 66.13    | 2.4   | 23     | 289  | 59.70 | 2.7   | 11     | 616  | 127.27 | 0.91  | F 57   | 4    | 48       | 139  | 28.67  | 2.7   |          |       | 13     | 533   | 110.01 | 1.06  | 15     | 453   | 93.47  | 1.25  | 17    | 404   | 83.46 | 1.40  | 11     | 616   | 127.27   | 0.91  | F 107R77 | 4     | 30       | 228   | 47.02  | 0.83  | 13       | 533  | 110.01 | 1.06  | 15     | 453   | 93.47 | 1.25  | 17     | 404   | 83.46    | 1.40  | 0.50  | 18539 | 2776  | 0.91  | 0.58 | 16208 | 2427   | 1.04  | 0.64 | 14592 | 2185  | 1.16  | 0.72 | 12982 | 1944  | 1.30  | 0.84 | 11179 | 1674 | 1.51  | 1.1  | 8735  | 1308 | 1.94 | 1.2  | 7807  | 1169 | 2.2   | 1.5  | 6364  | 953  | 2.7   | 1.7  | 5643  | 845  | 3.0   | 3.1  | 2978  | 446  | 5.7   | 4.7  | 2010 | 301  | 8.4   | 0.68 | 13717 | 2054 | 0.82  | 0.78 | 12007 | 1798 | 0.94  | 0.86 | 10812 | 1619 | 1.04  | 1.0  | 9356  | 1401 | 1.21 | 1.1  | 8214  | 1230 | 1.37 | 1.3  | 7246  | 1085 | 1.56 | 1.1  | 8301  | 1243 | 0.89 | 1.3  | 7259 | 1087 | 1.02 | 1.5  | 6344 | 950  | 1.16 | 1.7 | 5570 | 834  | 1.32 | 1.9 | 4915 | 736  | 1.50 | 2.2 | 4274 | 640  | 1.72 |     |      |     |      |
| 4.0           | 1582       | 345      | 1.78                   |             |         | 3.9           | 1637       | 357      | 0.86                   |             |         | F 77R37  | 4     | 17     | 386  |         |       | 79.72    | 0.97 |         |       | F 47   | 4     |          |       |        |       |        |       |        |       | 4.4    | 1440  | 314    | 0.98  | 5.1    | 1247  | 272    | 1.13  | 2.7      | 2519  | 255.25 | 2.9   | F 107  | 8     | 2.5      | 2739  | 276.64 | 1.5   | F 97   | 8     |          |       |        |       | 20     | 330   | 68.09    | 1.14  | 2.7    | 2523  | 254.79 | 1.6   | 3.0      | 2241  | 226.34 | 1.8   |          |       | 3.3    | 2047  |        |       | 276.64   | 2.0   |        |       | F 97   | 6     | 21       | 317   | 65.36    | 1.19 | 3.6    | 1885 |        |       | 254.79 | 2.1  | 4.0    | 1675  |        |       | 226.34 | 2.4   | 3.3    | 2012  |        |       | 271.92 | 1.40  | F 87     | 6     | 25     | 272   | 56.09  | 1.38  | 3.6      | 1886 | 254.93 | 1.50  | 4.0    | 1691  | 228.57   | 1.67 |          |      | 4.6    | 1456  | 196.85 | 1.94  | 5.1      | 1324  |        |       | 178.95   | 2.1   | 5.7    | 1181  | 159.61   | 2.4   |        |       |        |       | 5.1    | 1317  | 271.92 | 2.1   | F 87   | 4     | 29     | 231   |        |       | 47.66    | 1.63  | 5.4    | 1235  | 254.93   | 2.3   | 6.1    | 1107  |        |       | 228.57 | 2.5   | 4.6      | 1467  |          |       | 198.31 | 0.96  | F 77   | 6     | 33     | 206   | 42.55  | 1.82  | 4.8    | 1394  |        |       | 188.40 | 1.01  | 5.5    | 1232 | 166.47   | 1.14 | 6.4    | 1053  | 142.27 | 1.34 |        |       | 7.0    | 965   | 130.42   | 1.46  | 6.2    | 1094  | 225.79 | 1.29  | F 77  | 4     | 38     | 176   |        |       | 36.34  | 2.1   | 7.0    | 961   | 198.31 | 1.47  | 7.4    | 913   | 188.40 | 1.55  | 8.3    | 806   |          |       | 166.47   | 1.75 | 9.8      | 689  | 142.27   | 2.0  | 11     | 632  | 130.42 | 2.2   | 12     | 554  |          |       | 114.45 | 2.5   | 13     | 525   | 108.46 | 2.7   | 8.1    | 828   | 170.85 | 0.93  | F 67   | 4     | 41     | 165   | 34.04  | 2.3   |        |       | 8.6    | 786   | 162.31   | 0.98 | 9.8   | 690   | 142.40   | 1.12 | 12     | 585   | 120.79 | 1.32  | 13     | 528   |        |       | 109.04 | 1.46  | 14     | 465   |          |       | 95.94    | 1.66  | 15     | 439  | 90.59 | 1.76  | 18     | 378  | 77.97  | 2.0   |        |      | 21       | 320  | 66.13  | 2.4   |          |       | 23     | 289   | 59.70  | 2.7   | 11     | 616   | 127.27 | 0.91  | F 57  | 4     | 48    | 139   | 28.67  | 2.7   | 13       | 533   |          |       | 110.01   | 1.06  | 15     | 453   | 93.47    | 1.25 | 17     | 404   | 83.46  | 1.40  | 11    | 616   | 127.27 | 0.91  | F 107R77 | 4     | 30    | 228   | 47.02 | 0.83  | 13   | 533   | 110.01 | 1.06  | 15   | 453   | 93.47 | 1.25  | 17   | 404   | 83.46 | 1.40  | 0.50 | 18539 | 2776 | 0.91  | 0.58 | 16208 | 2427 | 1.04 | 0.64 | 14592 | 2185 | 1.16  | 0.72 | 12982 | 1944 | 1.30  | 0.84 | 11179 | 1674 | 1.51  | 1.1  | 8735  | 1308 | 1.94  | 1.2  | 7807 | 1169 | 2.2   | 1.5  | 6364  | 953  | 2.7   | 1.7  | 5643  | 845  | 3.0   | 3.1  | 2978  | 446  | 5.7   | 4.7  | 2010  | 301  | 8.4  | 0.68 | 13717 | 2054 | 0.82 | 0.78 | 12007 | 1798 | 0.94 | 0.86 | 10812 | 1619 | 1.04 | 1.0  | 9356 | 1401 | 1.21 | 1.1  | 8214 | 1230 | 1.37 | 1.3 | 7246 | 1085 | 1.56 | 1.1 | 8301 | 1243 | 0.89 | 1.3 | 7259 | 1087 | 1.02 | 1.5 | 6344 | 950 | 1.16 |
| 3.9           | 1637       | 357      | 0.86                   | F 77R37     | 4       | 17            | 386        | 79.72    | 0.97                   | F 47        | 4       |          |       |        |      |         |       |          |      |         |       |        |       |          |       |        |       |        |       |        |       |        |       |        |       |        |       |        |       |          |       |        |       |        |       |          |       |        |       |        |       |          |       |        |       |        |       |          |       |        |       |        |       |          |       |        |       |          |       |        |       |        |       |          |       |        |       |        |       |          |       |          |      |        |      |        |       |        |      |        |       |        |       |        |       |        |       |        |       |        |       |          |       |        |       |        |       |          |      |        |       |        |       |          |      |          |      |        |       |        |       |          |       |        |       |          |       |        |       |          |       |        |       |        |       |        |       |        |       |        |       |        |       |        |       |          |       |        |       |          |       |        |       |        |       |        |       |          |       |          |       |        |       |        |       |        |       |        |       |        |       |        |       |        |       |        |      |          |      |        |       |        |      |        |       |        |       |          |       |        |       |        |       |       |       |        |       |        |       |        |       |        |       |        |       |        |       |        |       |        |       |          |       |          |      |          |      |          |      |        |      |        |       |        |      |          |       |        |       |        |       |        |       |        |       |        |       |        |       |        |       |        |       |        |       |        |       |          |      |       |       |          |      |        |       |        |       |        |       |        |       |        |       |        |       |          |       |          |       |        |      |       |       |        |      |        |       |        |      |          |      |        |       |          |       |        |       |        |       |        |       |        |       |       |       |       |       |        |       |          |       |          |       |          |       |        |       |          |      |        |       |        |       |       |       |        |       |          |       |       |       |       |       |      |       |        |       |      |       |       |       |      |       |       |       |      |       |      |       |      |       |      |      |      |       |      |       |      |       |      |       |      |       |      |       |      |       |      |       |      |      |      |       |      |       |      |       |      |       |      |       |      |       |      |       |      |       |      |      |      |       |      |      |      |       |      |      |      |       |      |      |      |      |      |      |      |      |      |      |     |      |      |      |     |      |      |      |     |      |      |      |     |      |     |      |
| 4.4           | 1440       | 314      | 0.98                   |             |         | 5.1           | 1247       | 272      | 1.13                   |             |         |          |       | 2.7    | 2519 |         |       | 255.25   | 2.9  | F 107   | 8     |        |       | 2.5      | 2739  |        |       |        |       |        |       | 276.64 | 1.5   | F 97   | 8     | 20     | 330   | 68.09  | 1.14  | 2.7      | 2523  | 254.79 | 1.6   | 3.0    | 2241  | 226.34   | 1.8   | 3.3    | 2047  |        |       | 276.64   | 2.0   | F 97   | 6     | 21     | 317   | 65.36    | 1.19  | 3.6    | 1885  | 254.79 | 2.1   | 4.0      | 1675  | 226.34 | 2.4   | 3.3      | 2012  | 271.92 | 1.40  | F 87   | 6     | 25       | 272   |        |       |        |       | 56.09    | 1.38  | 3.6      | 1886 | 254.93 | 1.50 |        |       | 4.0    | 1691 | 228.57 | 1.67  |        |       | 4.6    | 1456  | 196.85 | 1.94  |        |       | 5.1    | 1324  |          |       | 178.95 | 2.1   | 5.7    | 1181  | 159.61   | 2.4  | 5.1    | 1317  | 271.92 | 2.1   | F 87     | 4    | 29       | 231  | 47.66  | 1.63  | 5.4    | 1235  | 254.93   | 2.3   | 6.1    | 1107  | 228.57   | 2.5   | 4.6    | 1467  | 198.31   | 0.96  |        |       | F 77   | 6     | 33     | 206   | 42.55  | 1.82  |        |       | 4.8    | 1394  |        |       | 188.40   | 1.01  | 5.5    | 1232  | 166.47   | 1.14  | 6.4    | 1053  |        |       | 142.27 | 1.34  | 7.0      | 965   |          |       | 130.42 | 1.46  |        |       | 6.2    | 1094  | 225.79 | 1.29  | F 77   | 4     |        |       | 38     | 176   | 36.34  | 2.1  | 7.0      | 961  | 198.31 | 1.47  | 7.4    | 913  |        |       | 188.40 | 1.55  | 8.3      | 806   | 166.47 | 1.75  | 9.8    | 689   |       |       | 142.27 | 2.0   |        |       | 11     | 632   | 130.42 | 2.2   | 12     | 554   | 114.45 | 2.5   | 13     | 525   | 108.46 | 2.7   |          |       | 8.1      | 828  | 170.85   | 0.93 | F 67     | 4    | 41     | 165  | 34.04  | 2.3   | 8.6    | 786  |          |       | 162.31 | 0.98  | 9.8    | 690   | 142.40 | 1.12  | 12     | 585   | 120.79 | 1.32  |        |       | 13     | 528   | 109.04 | 1.46  | 14     | 465   | 95.94  | 1.66  | 15       | 439  | 90.59 | 1.76  | 18       | 378  | 77.97  | 2.0   | 21     | 320   | 66.13  | 2.4   |        |       | 23     | 289   | 59.70  | 2.7   |          |       | 11       | 616   | 127.27 | 0.91 | F 57  | 4     | 48     | 139  | 28.67  | 2.7   |        |      | 13       | 533  | 110.01 | 1.06  |          |       | 15     | 453   | 93.47  | 1.25  | 17     | 404   | 83.46  | 1.40  |       |       | 11    | 616   | 127.27 | 0.91  | F 107R77 | 4     |          |       | 30       | 228   | 47.02  | 0.83  | 13       | 533  | 110.01 | 1.06  | 15     | 453   | 93.47 | 1.25  | 17     | 404   |          |       | 83.46 | 1.40  | 0.50  | 18539 | 2776 | 0.91  | 0.58   | 16208 | 2427 | 1.04  | 0.64  | 14592 | 2185 | 1.16  | 0.72  | 12982 | 1944 | 1.30  | 0.84 | 11179 | 1674 | 1.51  | 1.1  | 8735 | 1308 | 1.94  | 1.2  | 7807  | 1169 | 2.2   | 1.5  | 6364  | 953  | 2.7   | 1.7  | 5643  | 845  | 3.0   | 3.1  | 2978  | 446  | 5.7  | 4.7  | 2010  | 301  | 8.4   | 0.68 | 13717 | 2054 | 0.82  | 0.78 | 12007 | 1798 | 0.94  | 0.86 | 10812 | 1619 | 1.04  | 1.0  | 9356 | 1401 | 1.21  | 1.1  | 8214 | 1230 | 1.37  | 1.3  | 7246 | 1085 | 1.56  | 1.1  | 8301 | 1243 | 0.89 | 1.3  | 7259 | 1087 | 1.02 | 1.5  | 6344 | 950 | 1.16 | 1.7  | 5570 | 834 | 1.32 | 1.9  | 4915 | 736 | 1.50 | 2.2  | 4274 | 640 | 1.72 |     |      |
| 5.1           | 1247       | 272      | 1.13                   |             |         | 2.7           | 2519       | 255.25   | 2.9                    |             |         |          |       | F 107  | 8    | 2.5     | 2739  | 276.64   | 1.5  | F 97    | 8     |        |       | 20       | 330   |        |       |        |       |        |       | 68.09  | 1.14  |        |       | 2.7    | 2523  | 254.79 | 1.6   | 3.0      | 2241  | 226.34 | 1.8   | 3.3    | 2047  | 276.64   | 2.0   | F 97   | 6     | 21     | 317   | 65.36    | 1.19  |        |       | 3.6    | 1885  | 254.79   | 2.1   | 4.0    | 1675  | 226.34 | 2.4   | 3.3      | 2012  | 271.92 | 1.40  | F 87     | 6     | 25     | 272   |        |       | 56.09    | 1.38  | 3.6    | 1886  |        |       | 254.93   | 1.50  | 4.0      | 1691 | 228.57 | 1.67 |        |       | 4.6    | 1456 | 196.85 | 1.94  |        |       | 5.1    | 1324  | 178.95 | 2.1   |        |       | 5.7    | 1181  |          |       | 159.61 | 2.4   | 5.1    | 1317  | 271.92   | 2.1  | F 87   | 4     | 29     | 231   |          |      | 47.66    | 1.63 | 5.4    | 1235  | 254.93 | 2.3   | 6.1      | 1107  | 228.57 | 2.5   | 4.6      | 1467  | 198.31 | 0.96  | F 77     | 6     | 33     | 206   |        |       | 42.55  | 1.82  | 4.8    | 1394  |        |       | 188.40 | 1.01  | 5.5    | 1232  | 166.47   | 1.14  | 6.4    | 1053  | 142.27   | 1.34  | 7.0    | 965   |        |       | 130.42 | 1.46  | 6.2      | 1094  |          |       | 225.79 | 1.29  |        |       | F 77   | 4     | 38     | 176   |        |       |        |       | 36.34  | 2.1   | 7.0    | 961  | 198.31   | 1.47 | 7.4    | 913   | 188.40 | 1.55 |        |       | 8.3    | 806   | 166.47   | 1.75  | 9.8    | 689   | 142.27 | 2.0   |       |       | 11     | 632   |        |       | 130.42 | 2.2   | 12     | 554   | 114.45 | 2.5   | 13     | 525   | 108.46 | 2.7   | 8.1    | 828   |          |       | 170.85   | 0.93 | F 67     | 4    |          |      | 41     | 165  | 34.04  | 2.3   | 8.6    | 786  |          |       | 162.31 | 0.98  | 9.8    | 690   | 142.40 | 1.12  | 12     | 585   | 120.79 | 1.32  |        |       | 13     | 528   | 109.04 | 1.46  | 14     | 465   | 95.94  | 1.66  | 15       | 439  | 90.59 | 1.76  | 18       | 378  | 77.97  | 2.0   | 21     | 320   | 66.13  | 2.4   | 23     | 289   | 59.70  | 2.7   | 11     | 616   |          |       | 127.27   | 0.91  | F 57   | 4    |       |       | 48     | 139  | 28.67  | 2.7   |        |      | 13       | 533  | 110.01 | 1.06  |          |       | 15     | 453   | 93.47  | 1.25  | 17     | 404   | 83.46  | 1.40  |       |       | 11    | 616   | 127.27 | 0.91  |          |       |          |       | F 107R77 | 4     | 30     | 228   | 47.02    | 0.83 | 13     | 533   | 110.01 | 1.06  | 15    | 453   | 93.47  | 1.25  |          |       | 17    | 404   | 83.46 | 1.40  | 0.50 | 18539 | 2776   | 0.91  | 0.58 | 16208 | 2427  | 1.04  | 0.64 | 14592 | 2185  | 1.16  | 0.72 | 12982 | 1944 | 1.30  | 0.84 | 11179 | 1674 | 1.51 | 1.1  | 8735  | 1308 | 1.94  | 1.2  | 7807  | 1169 | 2.2   | 1.5  | 6364  | 953  | 2.7   | 1.7  | 5643  | 845  | 3.0   | 3.1  | 2978 | 446  | 5.7   | 4.7  | 2010  | 301  | 8.4   | 0.68 | 13717 | 2054 | 0.82  | 0.78 | 12007 | 1798 | 0.94  | 0.86 | 10812 | 1619 | 1.04 | 1.0  | 9356  | 1401 | 1.21 | 1.1  | 8214  | 1230 | 1.37 | 1.3  | 7246  | 1085 | 1.56 | 1.1  | 8301 | 1243 | 0.89 | 1.3  | 7259 | 1087 | 1.02 | 1.5 | 6344 | 950  | 1.16 | 1.7 | 5570 | 834  | 1.32 | 1.9 | 4915 | 736  | 1.50 | 2.2 | 4274 | 640 | 1.72 |
| 2.7           | 2519       | 255.25   | 2.9                    |             |         | F 107         | 8          | 2.5      | 2739                   |             |         | 276.64   | 1.5   | F 97   | 8    | 20      | 330   | 68.09    | 1.14 |         |       |        |       | 2.7      | 2523  |        |       |        |       |        |       | 254.79 | 1.6   |        |       | 3.0    | 2241  | 226.34 | 1.8   | 3.3      | 2047  | 276.64 | 2.0   | F 97   | 6     | 21       | 317   |        |       | 65.36  | 1.19  | 3.6      | 1885  |        |       | 254.79 | 2.1   | 4.0      | 1675  | 226.34 | 2.4   | 3.3    | 2012  | 271.92   | 1.40  | F 87   | 6     |          |       | 25     | 272   |        |       | 56.09    | 1.38  | 3.6    | 1886  | 254.93 | 1.50  | 4.0      | 1691  | 228.57   | 1.67 | 4.6    | 1456 |        |       | 196.85 | 1.94 | 5.1    | 1324  |        |       | 178.95 | 2.1   | 5.7    | 1181  |        |       | 159.61 | 2.4   |          |       | 5.1    | 1317  | 271.92 | 2.1   | F 87     | 4    |        |       | 29     | 231   |          |      | 47.66    | 1.63 | 5.4    | 1235  | 254.93 | 2.3   | 6.1      | 1107  | 228.57 | 2.5   | 4.6      | 1467  | 198.31 | 0.96  |          |       | F 77   | 6     |        |       | 33     | 206   | 42.55  | 1.82  | 4.8    | 1394  | 188.40 | 1.01  | 5.5    | 1232  | 166.47   | 1.14  | 6.4    | 1053  | 142.27   | 1.34  | 7.0    | 965   | 130.42 | 1.46  | 6.2    | 1094  | 225.79   | 1.29  |          |       | F 77   | 4     |        |       |        |       | 38     | 176   |        |       |        |       | 36.34  | 2.1   | 7.0    | 961  | 198.31   | 1.47 | 7.4    | 913   | 188.40 | 1.55 |        |       | 8.3    | 806   | 166.47   | 1.75  | 9.8    | 689   | 142.27 | 2.0   |       |       | 11     | 632   |        |       | 130.42 | 2.2   | 12     | 554   | 114.45 | 2.5   | 13     | 525   | 108.46 | 2.7   | 8.1    | 828   |          |       | 170.85   | 0.93 |          |      |          |      | F 67   | 4    | 41     | 165   | 34.04  | 2.3  |          |       | 8.6    | 786   | 162.31 | 0.98  | 9.8    | 690   | 142.40 | 1.12  | 12     | 585   |        |       | 120.79 | 1.32  | 13     | 528   | 109.04 | 1.46  | 14     | 465   | 95.94    | 1.66 | 15    | 439   | 90.59    | 1.76 | 18     | 378   | 77.97  | 2.0   | 21     | 320   | 66.13  | 2.4   | 23     | 289   | 59.70  | 2.7   |          |       | 11       | 616   |        |      |       |       | 127.27 | 0.91 | F 57   | 4     | 48     | 139  | 28.67    | 2.7  | 13     | 533   |          |       | 110.01 | 1.06  | 15     | 453   | 93.47  | 1.25  | 17     | 404   |       |       | 83.46 | 1.40  | 11     | 616   |          |       |          |       |          |       | 127.27 | 0.91  | F 107R77 | 4    | 30     | 228   | 47.02  | 0.83  | 13    | 533   | 110.01 | 1.06  |          |       | 15    | 453   | 93.47 | 1.25  | 17   | 404   | 83.46  | 1.40  | 0.50 | 18539 | 2776  | 0.91  | 0.58 | 16208 | 2427  | 1.04  | 0.64 | 14592 | 2185 | 1.16  | 0.72 | 12982 | 1944 | 1.30 | 0.84 | 11179 | 1674 | 1.51  | 1.1  | 8735  | 1308 | 1.94  | 1.2  | 7807  | 1169 | 2.2   | 1.5  | 6364  | 953  | 2.7   | 1.7  | 5643 | 845  | 3.0   | 3.1  | 2978  | 446  | 5.7   | 4.7  | 2010  | 301  | 8.4   | 0.68 | 13717 | 2054 | 0.82  | 0.78 | 12007 | 1798 | 0.94 | 0.86 | 10812 | 1619 | 1.04 | 1.0  | 9356  | 1401 | 1.21 | 1.1  | 8214  | 1230 | 1.37 | 1.3  | 7246 | 1085 | 1.56 | 1.1  | 8301 | 1243 | 0.89 | 1.3 | 7259 | 1087 | 1.02 | 1.5 | 6344 | 950  | 1.16 | 1.7 | 5570 | 834  | 1.32 | 1.9 | 4915 | 736 | 1.50 |
| 2.5           | 2739       | 276.64   | 1.5                    | F 97        | 8       | 20            | 330        | 68.09    | 1.14                   |             |         |          |       |        |      |         |       |          |      |         |       |        |       |          |       |        |       |        |       |        |       |        |       |        |       |        |       |        |       |          |       |        |       |        |       |          |       |        |       |        |       |          |       |        |       |        |       |          |       |        |       |        |       |          |       |        |       |          |       |        |       |        |       |          |       |        |       |        |       |          |       |          |      |        |      |        |       |        |      |        |       |        |       |        |       |        |       |        |       |        |       |          |       |        |       |        |       |          |      |        |       |        |       |          |      |          |      |        |       |        |       |          |       |        |       |          |       |        |       |          |       |        |       |        |       |        |       |        |       |        |       |        |       |        |       |          |       |        |       |          |       |        |       |        |       |        |       |          |       |          |       |        |       |        |       |        |       |        |       |        |       |        |       |        |       |        |      |          |      |        |       |        |      |        |       |        |       |          |       |        |       |        |       |       |       |        |       |        |       |        |       |        |       |        |       |        |       |        |       |        |       |          |       |          |      |          |      |          |      |        |      |        |       |        |      |          |       |        |       |        |       |        |       |        |       |        |       |        |       |        |       |        |       |        |       |        |       |          |      |       |       |          |      |        |       |        |       |        |       |        |       |        |       |        |       |          |       |          |       |        |      |       |       |        |      |        |       |        |      |          |      |        |       |          |       |        |       |        |       |        |       |        |       |       |       |       |       |        |       |          |       |          |       |          |       |        |       |          |      |        |       |        |       |       |       |        |       |          |       |       |       |       |       |      |       |        |       |      |       |       |       |      |       |       |       |      |       |      |       |      |       |      |      |      |       |      |       |      |       |      |       |      |       |      |       |      |       |      |       |      |      |      |       |      |       |      |       |      |       |      |       |      |       |      |       |      |       |      |      |      |       |      |      |      |       |      |      |      |       |      |      |      |      |      |      |      |      |      |      |     |      |      |      |     |      |      |      |     |      |      |      |     |      |     |      |
| 2.7           | 2523       | 254.79   | 1.6                    |             |         | 3.0           | 2241       | 226.34   | 1.8                    |             |         | 3.3      | 2047  |        |      | 276.64  | 2.0   | F 97     | 6    | 21      | 317   |        |       | 65.36    | 1.19  |        |       |        |       |        |       | 3.6    | 1885  | 254.79 | 2.1   | 4.0    | 1675  | 226.34 | 2.4   | 3.3      | 2012  | 271.92 | 1.40  |        |       | F 87     | 6     |        |       | 25     | 272   | 56.09    | 1.38  | 3.6    | 1886  | 254.93 | 1.50  | 4.0      | 1691  | 228.57 | 1.67  | 4.6    | 1456  | 196.85   | 1.94  |        |       |          |       | 5.1    | 1324  |        |       | 178.95   | 2.1   | 5.7    | 1181  | 159.61 | 2.4   | 5.1      | 1317  | 271.92   | 2.1  | F 87   | 4    | 29     | 231   | 47.66  | 1.63 | 5.4    | 1235  | 254.93 | 2.3   | 6.1    | 1107  | 228.57 | 2.5   |        |       | 4.6    | 1467  |          |       | 198.31 | 0.96  | F 77   | 6     |          |      |        |       | 33     | 206   | 42.55    | 1.82 | 4.8      | 1394 | 188.40 | 1.01  | 5.5    | 1232  | 166.47   | 1.14  | 6.4    | 1053  | 142.27   | 1.34  | 7.0    | 965   |          |       |        |       |        |       | 130.42 | 1.46  | 6.2    | 1094  | 225.79 | 1.29  | F 77   | 4     | 38     | 176   | 36.34    | 2.1   | 7.0    | 961   | 198.31   | 1.47  | 7.4    | 913   | 188.40 | 1.55  | 8.3    | 806   | 166.47   | 1.75  | 9.8      | 689   |        |       | 142.27 | 2.0   |        |       | 11     | 632   |        |       | 130.42 | 2.2   | 12     | 554   | 114.45 | 2.5  | 13       | 525  | 108.46 | 2.7   | 8.1    | 828  |        |       | 170.85 | 0.93  | F 67     | 4     | 41     | 165   | 34.04  | 2.3   |       |       | 8.6    | 786   |        |       | 162.31 | 0.98  | 9.8    | 690   | 142.40 | 1.12  | 12     | 585   | 120.79 | 1.32  | 13     | 528   |          |       | 109.04   | 1.46 |          |      |          |      |        |      | 14     | 465   | 95.94  | 1.66 |          |       | 15     | 439   | 90.59  | 1.76  | 18     | 378   | 77.97  | 2.0   | 21     | 320   |        |       | 66.13  | 2.4   | 23     | 289   | 59.70  | 2.7   | 11     | 616   | 127.27   | 0.91 | F 57  | 4     | 48       | 139  | 28.67  | 2.7   | 13     | 533   | 110.01 | 1.06  | 15     | 453   | 93.47  | 1.25  | 17     | 404   |          |       | 83.46    | 1.40  |        |      |       |       | 11     | 616  |        |       | 127.27 | 0.91 | F 107R77 | 4    | 30     | 228   |          |       | 47.02  | 0.83  | 13     | 533   | 110.01 | 1.06  | 15     | 453   | 93.47 | 1.25  | 17    | 404   | 83.46  | 1.40  |          |       |          |       |          |       | 0.50   | 18539 |          |      | 2776   | 0.91  | 0.58   | 16208 | 2427  | 1.04  | 0.64   | 14592 |          |       | 2185  | 1.16  | 0.72  | 12982 | 1944 | 1.30  | 0.84   | 11179 | 1674 | 1.51  | 1.1   | 8735  | 1308 | 1.94  | 1.2   | 7807  | 1169 | 2.2   | 1.5  | 6364  | 953  | 2.7   | 1.7  | 5643 | 845  | 3.0   | 3.1  | 2978  | 446  | 5.7   | 4.7  | 2010  | 301  | 8.4   | 0.68 | 13717 | 2054 | 0.82  | 0.78 | 12007 | 1798 | 0.94 | 0.86 | 10812 | 1619 | 1.04  | 1.0  | 9356  | 1401 | 1.21  | 1.1  | 8214  | 1230 | 1.37  | 1.3  | 7246  | 1085 | 1.56  | 1.1  | 8301 | 1243 | 0.89  | 1.3  | 7259 | 1087 | 1.02  | 1.5  | 6344 | 950  | 1.16  | 1.7  | 5570 | 834  | 1.32 | 1.9  | 4915 | 736  | 1.50 | 2.2  | 4274 | 640 | 1.72 |      |      |     |      |      |      |     |      |      |      |     |      |     |      |
| 3.0           | 2241       | 226.34   | 1.8                    |             |         | 3.3           | 2047       | 276.64   | 2.0                    |             |         | F 97     | 6     | 21     | 317  | 65.36   | 1.19  |          |      | 3.6     | 1885  |        |       | 254.79   | 2.1   |        |       |        |       |        |       | 4.0    | 1675  | 226.34 | 2.4   | 3.3    | 2012  | 271.92 | 1.40  | F 87     | 6     | 25     | 272   |        |       |          |       | 56.09  | 1.38  | 3.6    | 1886  | 254.93   | 1.50  | 4.0    | 1691  | 228.57 | 1.67  | 4.6      | 1456  | 196.85 | 1.94  | 5.1    | 1324  | 178.95   | 2.1   |        |       |          |       | 5.7    | 1181  |        |       | 159.61   | 2.4   | 5.1    | 1317  | 271.92 | 2.1   | F 87     | 4     | 29       | 231  |        |      | 47.66  | 1.63  | 5.4    | 1235 | 254.93 | 2.3   | 6.1    | 1107  | 228.57 | 2.5   | 4.6    | 1467  | 198.31 | 0.96  | F 77   | 6     |          |       | 33     | 206   |        |       |          |      | 42.55  | 1.82  | 4.8    | 1394  | 188.40   | 1.01 | 5.5      | 1232 | 166.47 | 1.14  | 6.4    | 1053  | 142.27   | 1.34  | 7.0    | 965   | 130.42   | 1.46  | 6.2    | 1094  |          |       |        |       | 225.79 | 1.29  | F 77   | 4     | 38     | 176   | 36.34  | 2.1   |        |       | 7.0    | 961   | 198.31   | 1.47  | 7.4    | 913   | 188.40   | 1.55  | 8.3    | 806   | 166.47 | 1.75  | 9.8    | 689   | 142.27   | 2.0   | 11       | 632   |        |       | 130.42 | 2.2   |        |       | 12     | 554   |        |       | 114.45 | 2.5   | 13     | 525   | 108.46 | 2.7  | 8.1      | 828  | 170.85 | 0.93  | F 67   | 4    | 41     | 165   | 34.04  | 2.3   |          |       | 8.6    | 786   | 162.31 | 0.98  |       |       | 9.8    | 690   | 142.40 | 1.12  | 12     | 585   | 120.79 | 1.32  | 13     | 528   | 109.04 | 1.46  | 14     | 465   | 95.94  | 1.66  |          |       | 15       | 439  |          |      |          |      |        |      | 90.59  | 1.76  | 18     | 378  |          |       | 77.97  | 2.0   | 21     | 320   | 66.13  | 2.4   | 23     | 289   | 59.70  | 2.7   |        |       | 11     | 616   | 127.27 | 0.91  | F 57   | 4     | 48     | 139   | 28.67    | 2.7  |       |       | 13       | 533  | 110.01 | 1.06  | 15     | 453   | 93.47  | 1.25  | 17     | 404   | 83.46  | 1.40  | 11     | 616   | 127.27   | 0.91  | F 107R77 | 4     |        |      | 30    | 228   | 47.02  | 0.83 |        |       | 13     | 533  |          |      | 110.01 | 1.06  |          |       | 15     | 453   | 93.47  | 1.25  | 17     | 404   | 83.46  | 1.40  | 0.50  | 18539 | 2776  | 0.91  | 0.58   | 16208 |          |       |          |       |          |       | 2427   | 1.04  |          |      | 0.64   | 14592 | 2185   | 1.16  | 0.72  | 12982 | 1944   | 1.30  |          |       | 0.84  | 11179 | 1674  | 1.51  | 1.1  | 8735  | 1308   | 1.94  | 1.2  | 7807  | 1169  | 2.2   | 1.5  | 6364  | 953   | 2.7   | 1.7  | 5643  | 845  | 3.0   | 3.1  | 2978  | 446  | 5.7  | 4.7  | 2010  | 301  | 8.4   | 0.68 | 13717 | 2054 | 0.82  | 0.78 | 12007 | 1798 | 0.94  | 0.86 | 10812 | 1619 | 1.04  | 1.0  | 9356 | 1401 | 1.21  | 1.1  | 8214  | 1230 | 1.37  | 1.3  | 7246  | 1085 | 1.56  | 1.1  | 8301  | 1243 | 0.89  | 1.3  | 7259  | 1087 | 1.02 | 1.5  | 6344  | 950  | 1.16 | 1.7  | 5570  | 834  | 1.32 | 1.9  | 4915  | 736  | 1.50 | 2.2  | 4274 | 640  | 1.72 |      |      |      |      |     |      |      |      |     |      |      |      |     |      |      |      |     |      |     |      |
| 3.3           | 2047       | 276.64   | 2.0                    | F 97        | 6       | 21            | 317        | 65.36    | 1.19                   |             |         |          |       |        |      |         |       |          |      |         |       |        |       |          |       |        |       |        |       |        |       |        |       |        |       |        |       |        |       |          |       |        |       |        |       |          |       |        |       |        |       |          |       |        |       |        |       |          |       |        |       |        |       |          |       |        |       |          |       |        |       |        |       |          |       |        |       |        |       |          |       |          |      |        |      |        |       |        |      |        |       |        |       |        |       |        |       |        |       |        |       |          |       |        |       |        |       |          |      |        |       |        |       |          |      |          |      |        |       |        |       |          |       |        |       |          |       |        |       |          |       |        |       |        |       |        |       |        |       |        |       |        |       |        |       |          |       |        |       |          |       |        |       |        |       |        |       |          |       |          |       |        |       |        |       |        |       |        |       |        |       |        |       |        |       |        |      |          |      |        |       |        |      |        |       |        |       |          |       |        |       |        |       |       |       |        |       |        |       |        |       |        |       |        |       |        |       |        |       |        |       |          |       |          |      |          |      |          |      |        |      |        |       |        |      |          |       |        |       |        |       |        |       |        |       |        |       |        |       |        |       |        |       |        |       |        |       |          |      |       |       |          |      |        |       |        |       |        |       |        |       |        |       |        |       |          |       |          |       |        |      |       |       |        |      |        |       |        |      |          |      |        |       |          |       |        |       |        |       |        |       |        |       |       |       |       |       |        |       |          |       |          |       |          |       |        |       |          |      |        |       |        |       |       |       |        |       |          |       |       |       |       |       |      |       |        |       |      |       |       |       |      |       |       |       |      |       |      |       |      |       |      |      |      |       |      |       |      |       |      |       |      |       |      |       |      |       |      |       |      |      |      |       |      |       |      |       |      |       |      |       |      |       |      |       |      |       |      |      |      |       |      |      |      |       |      |      |      |       |      |      |      |      |      |      |      |      |      |      |     |      |      |      |     |      |      |      |     |      |      |      |     |      |     |      |
| 3.6           | 1885       | 254.79   | 2.1                    |             |         | 4.0           | 1675       | 226.34   | 2.4                    |             |         |          |       | 3.3    | 2012 | 271.92  | 1.40  |          |      | F 87    | 6     |        |       | 25       | 272   |        |       |        |       |        |       | 56.09  | 1.38  | 3.6    | 1886  | 254.93 | 1.50  | 4.0    | 1691  |          |       | 228.57 | 1.67  | 4.6    | 1456  |          |       | 196.85 | 1.94  | 5.1    | 1324  | 178.95   | 2.1   | 5.7    | 1181  | 159.61 | 2.4   | 5.1      | 1317  | 271.92 | 2.1   | F 87   | 4     | 29       | 231   |        |       |          |       | 47.66  | 1.63  |        |       | 5.4      | 1235  | 254.93 | 2.3   | 6.1    | 1107  |          |       | 228.57   | 2.5  |        |      | 4.6    | 1467  | 198.31 | 0.96 | F 77   | 6     | 33     | 206   | 42.55  | 1.82  | 4.8    | 1394  | 188.40 | 1.01  |        |       | 5.5      | 1232  | 166.47 | 1.14  |        |       | 6.4      | 1053 | 142.27 | 1.34  | 7.0    | 965   | 130.42   | 1.46 | 6.2      | 1094 | 225.79 | 1.29  | F 77   | 4     | 38       | 176   | 36.34  | 2.1   | 7.0      | 961   | 198.31 | 1.47  | 7.4      | 913   | 188.40 | 1.55  | 8.3    | 806   |        |       | 166.47 | 1.75  | 9.8    | 689   |        |       | 142.27 | 2.0   | 11       | 632   | 130.42 | 2.2   | 12       | 554   | 114.45 | 2.5   | 13     | 525   | 108.46 | 2.7   | 8.1      | 828   | 170.85   | 0.93  |        |       | F 67   | 4     |        |       | 41     | 165   |        |       | 34.04  | 2.3   | 8.6    | 786   | 162.31 | 0.98 | 9.8      | 690  | 142.40 | 1.12  |        |      | 12     | 585   | 120.79 | 1.32  |          |       | 13     | 528   | 109.04 | 1.46  | 14    | 465   | 95.94  | 1.66  | 15     | 439   | 90.59  | 1.76  | 18     | 378   | 77.97  | 2.0   | 21     | 320   | 66.13  | 2.4   | 23     | 289   | 59.70    | 2.7   | 11       | 616  |          |      |          |      |        |      | 127.27 | 0.91  | F 57   | 4    | 48       | 139   | 28.67  | 2.7   | 13     | 533   | 110.01 | 1.06  | 15     | 453   | 93.47  | 1.25  |        |       | 17     | 404   | 83.46  | 1.40  |        |       | 11     | 616   | 127.27   | 0.91 |       |       | F 107R77 | 4    | 30     | 228   | 47.02  | 0.83  | 13     | 533   | 110.01 | 1.06  | 15     | 453   | 93.47  | 1.25  | 17       | 404   |          |       | 83.46  | 1.40 | 0.50  | 18539 | 2776   | 0.91 | 0.58   | 16208 | 2427   | 1.04 |          |      | 0.64   | 14592 | 2185     | 1.16  | 0.72   | 12982 | 1944   | 1.30  | 0.84   | 11179 | 1674   | 1.51  | 1.1   | 8735  | 1308  | 1.94  | 1.2    | 7807  |          |       | 1169     | 2.2   |          |       | 1.5    | 6364  |          |      | 953    | 2.7   | 1.7    | 5643  | 845   | 3.0   | 3.1    | 2978  |          |       | 446   | 5.7   | 4.7   | 2010  | 301  | 8.4   | 0.68   | 13717 | 2054 | 0.82  | 0.78  | 12007 | 1798 | 0.94  | 0.86  | 10812 | 1619 | 1.04  | 1.0  | 9356  | 1401 | 1.21  | 1.1  | 8214 | 1230 | 1.37  | 1.3  | 7246  | 1085 | 1.56  | 1.1  | 8301  | 1243 | 0.89  | 1.3  | 7259  | 1087 | 1.02  | 1.5  | 6344  | 950  | 1.16 | 1.7  | 5570  | 834  | 1.32  | 1.9  | 4915  | 736  | 1.50  | 2.2  | 4274  | 640  | 1.72  |      |       |      |       |      |      |      |       |      |      |      |       |      |      |      |       |      |      |      |      |      |      |      |      |      |      |     |      |      |      |     |      |      |      |     |      |      |      |     |      |     |      |
| 4.0           | 1675       | 226.34   | 2.4                    |             |         | 3.3           | 2012       | 271.92   | 1.40                   |             |         |          |       | F 87   | 6    | 25      | 272   | 56.09    | 1.38 |         |       |        |       | 3.6      | 1886  |        |       |        |       |        |       | 254.93 | 1.50  | 4.0    | 1691  | 228.57 | 1.67  | 4.6    | 1456  |          |       | 196.85 | 1.94  | 5.1    | 1324  |          |       | 178.95 | 2.1   | 5.7    | 1181  | 159.61   | 2.4   | 5.1    | 1317  | 271.92 | 2.1   | F 87     | 4     | 29     | 231   |        |       | 47.66    | 1.63  |        |       |          |       | 5.4    | 1235  | 254.93 | 2.3   | 6.1      | 1107  | 228.57 | 2.5   | 4.6    | 1467  |          |       | 198.31   | 0.96 | F 77   | 6    | 33     | 206   | 42.55  | 1.82 |        |       | 4.8    | 1394  | 188.40 | 1.01  | 5.5    | 1232  | 166.47 | 1.14  |        |       | 6.4      | 1053  | 142.27 | 1.34  |        |       | 7.0      | 965  | 130.42 | 1.46  | 6.2    | 1094  | 225.79   | 1.29 | F 77     | 4    | 38     | 176   |        |       | 36.34    | 2.1   | 7.0    | 961   | 198.31   | 1.47  | 7.4    | 913   | 188.40   | 1.55  | 8.3    | 806   | 166.47 | 1.75  |        |       | 9.8    | 689   | 142.27 | 2.0   |        |       | 11     | 632   | 130.42   | 2.2   | 12     | 554   | 114.45   | 2.5   | 13     | 525   | 108.46 | 2.7   | 8.1    | 828   | 170.85   | 0.93  | F 67     | 4     |        |       |        |       |        |       | 41     | 165   | 34.04  | 2.3   | 8.6    | 786   | 162.31 | 0.98  | 9.8    | 690  | 142.40   | 1.12 | 12     | 585   |        |      | 120.79 | 1.32  | 13     | 528   |          |       | 109.04 | 1.46  | 14     | 465   | 95.94 | 1.66  | 15     | 439   | 90.59  | 1.76  | 18     | 378   | 77.97  | 2.0   | 21     | 320   | 66.13  | 2.4   | 23     | 289   | 59.70  | 2.7   | 11       | 616   | 127.27   | 0.91 |          |      |          |      |        |      | F 57   | 4     |        |      | 48       | 139   | 28.67  | 2.7   | 13     | 533   | 110.01 | 1.06  | 15     | 453   | 93.47  | 1.25  | 17     | 404   | 83.46  | 1.40  | 11     | 616   |        |       | 127.27 | 0.91  | F 107R77 | 4    |       |       |          |      | 30     | 228   | 47.02  | 0.83  | 13     | 533   | 110.01 | 1.06  | 15     | 453   | 93.47  | 1.25  | 17       | 404   |          |       | 83.46  | 1.40 | 0.50  | 18539 | 2776   | 0.91 | 0.58   | 16208 | 2427   | 1.04 |          |      | 0.64   | 14592 | 2185     | 1.16  | 0.72   | 12982 | 1944   | 1.30  | 0.84   | 11179 | 1674   | 1.51  | 1.1   | 8735  | 1308  | 1.94  | 1.2    | 7807  |          |       | 1169     | 2.2   |          |       | 1.5    | 6364  |          |      | 953    | 2.7   | 1.7    | 5643  | 845   | 3.0   | 3.1    | 2978  | 446      | 5.7   | 4.7   | 2010  | 301   | 8.4   | 0.68 | 13717 | 2054   | 0.82  | 0.78 | 12007 | 1798  | 0.94  | 0.86 | 10812 | 1619  | 1.04  | 1.0  | 9356  | 1401 | 1.21  | 1.1  | 8214  | 1230 | 1.37 | 1.3  | 7246  | 1085 | 1.56  | 1.1  | 8301  | 1243 | 0.89  | 1.3  | 7259  | 1087 | 1.02  | 1.5  | 6344  | 950  | 1.16  | 1.7  | 5570 | 834  | 1.32  | 1.9  | 4915  | 736  | 1.50  | 2.2  | 4274  | 640  | 1.72  |      |       |      |       |      |       |      |      |      |       |      |      |      |       |      |      |      |       |      |      |      |      |      |      |      |      |      |      |     |      |      |      |     |      |      |      |     |      |      |      |     |      |     |      |
| 3.3           | 2012       | 271.92   | 1.40                   |             |         | F 87          | 6          | 25       | 272                    |             |         | 56.09    | 1.38  |        |      |         |       |          |      |         |       |        |       |          |       |        |       |        |       |        |       |        |       |        |       |        |       |        |       |          |       |        |       |        |       |          |       |        |       |        |       |          |       |        |       |        |       |          |       |        |       |        |       |          |       |        |       |          |       |        |       |        |       |          |       |        |       |        |       |          |       |          |      |        |      |        |       |        |      |        |       |        |       |        |       |        |       |        |       |        |       |          |       |        |       |        |       |          |      |        |       |        |       |          |      |          |      |        |       |        |       |          |       |        |       |          |       |        |       |          |       |        |       |        |       |        |       |        |       |        |       |        |       |        |       |          |       |        |       |          |       |        |       |        |       |        |       |          |       |          |       |        |       |        |       |        |       |        |       |        |       |        |       |        |       |        |      |          |      |        |       |        |      |        |       |        |       |          |       |        |       |        |       |       |       |        |       |        |       |        |       |        |       |        |       |        |       |        |       |        |       |          |       |          |      |          |      |          |      |        |      |        |       |        |      |          |       |        |       |        |       |        |       |        |       |        |       |        |       |        |       |        |       |        |       |        |       |          |      |       |       |          |      |        |       |        |       |        |       |        |       |        |       |        |       |          |       |          |       |        |      |       |       |        |      |        |       |        |      |          |      |        |       |          |       |        |       |        |       |        |       |        |       |       |       |       |       |        |       |          |       |          |       |          |       |        |       |          |      |        |       |        |       |       |       |        |       |          |       |       |       |       |       |      |       |        |       |      |       |       |       |      |       |       |       |      |       |      |       |      |       |      |      |      |       |      |       |      |       |      |       |      |       |      |       |      |       |      |       |      |      |      |       |      |       |      |       |      |       |      |       |      |       |      |       |      |       |      |      |      |       |      |      |      |       |      |      |      |       |      |      |      |      |      |      |      |      |      |      |     |      |      |      |     |      |      |      |     |      |      |      |     |      |     |      |
| 3.6           | 1886       | 254.93   | 1.50                   | 4.0         | 1691    |               |            | 228.57   | 1.67                   |             |         | 4.6      | 1456  |        |      | 196.85  | 1.94  | 5.1      | 1324 |         |       |        |       | 178.95   | 2.1   |        |       |        |       | 5.7    | 1181  | 159.61 | 2.4   | 5.1    | 1317  | 271.92 | 2.1   | F 87   | 4     |          |       | 29     | 231   | 47.66  | 1.63  |          |       | 5.4    | 1235  | 254.93 | 2.3   | 6.1      | 1107  | 228.57 | 2.5   | 4.6    | 1467  |          |       | 198.31 | 0.96  |        |       | F 77     | 6     | 33     | 206   | 42.55    | 1.82  | 4.8    | 1394  | 188.40 | 1.01  | 5.5      | 1232  | 166.47 | 1.14  | 6.4    | 1053  | 142.27   | 1.34  | 7.0      | 965  |        |      | 130.42 | 1.46  | 6.2    | 1094 |        |       | 225.79 | 1.29  | F 77   | 4     | 38     | 176   | 36.34  | 2.1   | 7.0    | 961   | 198.31   | 1.47  | 7.4    | 913   | 188.40 | 1.55  | 8.3      | 806  | 166.47 | 1.75  | 9.8    | 689   | 142.27   | 2.0  |          |      | 11     | 632   |        |       | 130.42   | 2.2   | 12     | 554   | 114.45   | 2.5   | 13     | 525   | 108.46   | 2.7   | 8.1    | 828   | 170.85 | 0.93  |        |       | F 67   | 4     | 41     | 165   |        |       | 34.04  | 2.3   | 8.6      | 786   | 162.31 | 0.98  | 9.8      | 690   | 142.40 | 1.12  | 12     | 585   | 120.79 | 1.32  | 13       | 528   |          |       | 109.04 | 1.46  |        |       | 14     | 465   | 95.94  | 1.66  | 15     | 439   | 90.59  | 1.76  | 18     | 378   | 77.97  | 2.0  | 21       | 320  | 66.13  | 2.4   |        |      | 23     | 289   | 59.70  | 2.7   |          |       | 11     | 616   | 127.27 | 0.91  | F 57  | 4     | 48     | 139   | 28.67  | 2.7   | 13     | 533   | 110.01 | 1.06  | 15     | 453   | 93.47  | 1.25  | 17     | 404   | 83.46  | 1.40  | 11       | 616   | 127.27   | 0.91 |          |      | F 107R77 | 4    |        |      |        |       |        |      | 30       | 228   | 47.02  | 0.83  | 13     | 533   | 110.01 | 1.06  | 15     | 453   | 93.47  | 1.25  | 17     | 404   | 83.46  | 1.40  | 0.50   | 18539 | 2776   | 0.91  | 0.58   | 16208 |          |      | 2427  | 1.04  |          |      | 0.64   | 14592 | 2185   | 1.16  | 0.72   | 12982 | 1944   | 1.30  | 0.84   | 11179 | 1674   | 1.51  | 1.1      | 8735  |          |       | 1308   | 1.94 | 1.2   | 7807  | 1169   | 2.2  | 1.5    | 6364  | 953    | 2.7  |          |      | 1.7    | 5643  | 845      | 3.0   | 3.1    | 2978  | 446    | 5.7   | 4.7    | 2010  | 301    | 8.4   | 0.68  | 13717 | 2054  | 0.82  | 0.78   | 12007 | 1798     | 0.94  | 0.86     | 10812 |          |       | 1619   | 1.04  |          |      | 1.0    | 9356  | 1401   | 1.21  | 1.1   | 8214  | 1230   | 1.37  | 1.3      | 7246  | 1085  | 1.56  | 1.1   | 8301  | 1243 | 0.89  | 1.3    | 7259  | 1087 | 1.02  | 1.5   | 6344  | 950  | 1.16  | 1.7   | 5570  | 834  | 1.32  | 1.9  | 4915  | 736  | 1.50  | 2.2  | 4274 | 640  | 1.72  |      |       |      |       |      |       |      |       |      |       |      |       |      |       |      |      |      |       |      |       |      |       |      |       |      |       |      |       |      |       |      |       |      |      |      |       |      |      |      |       |      |      |      |       |      |      |      |      |      |      |      |      |      |      |     |      |      |      |     |      |      |      |     |      |      |      |     |      |     |      |
| 4.0           | 1691       | 228.57   | 1.67                   | 4.6         | 1456    |               |            | 196.85   | 1.94                   |             |         | 5.1      | 1324  |        |      | 178.95  | 2.1   | 5.7      | 1181 |         |       |        |       | 159.61   | 2.4   |        |       | 5.1    | 1317  | 271.92 | 2.1   | F 87   | 4     | 29     | 231   | 47.66  | 1.63  |        |       |          |       | 5.4    | 1235  | 254.93 | 2.3   |          |       | 6.1    | 1107  | 228.57 | 2.5   | 4.6      | 1467  | 198.31 | 0.96  | F 77   | 6     |          |       | 33     | 206   | 42.55  | 1.82  |          |       | 4.8    | 1394  | 188.40   | 1.01  | 5.5    | 1232  | 166.47 | 1.14  | 6.4      | 1053  | 142.27 | 1.34  | 7.0    | 965   | 130.42   | 1.46  | 6.2      | 1094 |        |      | 225.79 | 1.29  | F 77   | 4    |        |       | 38     | 176   |        |       | 36.34  | 2.1   | 7.0    | 961   | 198.31 | 1.47  | 7.4      | 913   | 188.40 | 1.55  | 8.3    | 806   | 166.47   | 1.75 | 9.8    | 689   | 142.27 | 2.0   | 11       | 632  |          |      | 130.42 | 2.2   |        |       | 12       | 554   | 114.45 | 2.5   | 13       | 525   | 108.46 | 2.7   | 8.1      | 828   | 170.85 | 0.93  | F 67   | 4     |        |       |        |       | 41     | 165   |        |       | 34.04  | 2.3   | 8.6      | 786   | 162.31 | 0.98  | 9.8      | 690   | 142.40 | 1.12  | 12     | 585   | 120.79 | 1.32  | 13       | 528   |          |       | 109.04 | 1.46  |        |       | 14     | 465   | 95.94  | 1.66  | 15     | 439   | 90.59  | 1.76  | 18     | 378   | 77.97  | 2.0  | 21       | 320  | 66.13  | 2.4   |        |      | 23     | 289   | 59.70  | 2.7   |          |       | 11     | 616   | 127.27 | 0.91  |       |       | F 57   | 4     | 48     | 139   | 28.67  | 2.7   | 13     | 533   | 110.01 | 1.06  | 15     | 453   | 93.47  | 1.25  | 17     | 404   | 83.46    | 1.40  | 11       | 616  | 127.27   | 0.91 |          |      |        |      |        |       |        |      | F 107R77 | 4     | 30     | 228   | 47.02  | 0.83  | 13     | 533   | 110.01 | 1.06  | 15     | 453   | 93.47  | 1.25  | 17     | 404   | 83.46  | 1.40  | 0.50   | 18539 | 2776   | 0.91  |          |      | 0.58  | 16208 |          |      | 2427   | 1.04  | 0.64   | 14592 | 2185   | 1.16  | 0.72   | 12982 | 1944   | 1.30  | 0.84   | 11179 | 1674     | 1.51  |          |       | 1.1    | 8735 | 1308  | 1.94  | 1.2    | 7807 | 1169   | 2.2   | 1.5    | 6364 |          |      | 953    | 2.7   | 1.7      | 5643  | 845    | 3.0   | 3.1    | 2978  | 446    | 5.7   | 4.7    | 2010  | 301   | 8.4   | 0.68  | 13717 | 2054   | 0.82  | 0.78     | 12007 | 1798     | 0.94  | 0.86     | 10812 | 1619   | 1.04  |          |      | 1.0    | 9356  | 1401   | 1.21  | 1.1   | 8214  | 1230   | 1.37  | 1.3      | 7246  | 1085  | 1.56  | 1.1   | 8301  | 1243 | 0.89  | 1.3    | 7259  | 1087 | 1.02  | 1.5   | 6344  | 950  | 1.16  | 1.7   | 5570  | 834  | 1.32  | 1.9  | 4915  | 736  | 1.50  | 2.2  | 4274 | 640  | 1.72  |      |       |      |       |      |       |      |       |      |       |      |       |      |       |      |      |      |       |      |       |      |       |      |       |      |       |      |       |      |       |      |       |      |      |      |       |      |      |      |       |      |      |      |       |      |      |      |      |      |      |      |      |      |      |     |      |      |      |     |      |      |      |     |      |      |      |     |      |     |      |
| 4.6           | 1456       | 196.85   | 1.94                   | 5.1         | 1324    |               |            | 178.95   | 2.1                    |             |         | 5.7      | 1181  |        |      | 159.61  | 2.4   | 5.1      | 1317 |         |       |        |       | 271.92   | 2.1   | F 87   | 4     | 29     | 231   | 47.66  | 1.63  |        |       | 5.4    | 1235  | 254.93 | 2.3   |        |       |          |       | 6.1    | 1107  | 228.57 | 2.5   | 4.6      | 1467  | 198.31 | 0.96  | F 77   | 6     | 33       | 206   | 42.55  | 1.82  |        |       | 4.8      | 1394  | 188.40 | 1.01  | 5.5    | 1232  |          |       | 166.47 | 1.14  | 6.4      | 1053  | 142.27 | 1.34  | 7.0    | 965   | 130.42   | 1.46  | 6.2    | 1094  | 225.79 | 1.29  | F 77     | 4     | 38       | 176  |        |      | 36.34  | 2.1   |        |      | 7.0    | 961   | 198.31 | 1.47  |        |       | 7.4    | 913   | 188.40 | 1.55  | 8.3    | 806   | 166.47   | 1.75  | 9.8    | 689   | 142.27 | 2.0   | 11       | 632  | 130.42 | 2.2   | 12     | 554   | 114.45   | 2.5  |          |      | 13     | 525   |        |       | 108.46   | 2.7   | 8.1    | 828   | 170.85   | 0.93  | F 67   | 4     | 41       | 165   | 34.04  | 2.3   |        |       |        |       |        |       | 8.6    | 786   | 162.31 | 0.98  | 9.8    | 690   | 142.40   | 1.12  | 12     | 585   | 120.79   | 1.32  | 13     | 528   | 109.04 | 1.46  | 14     | 465   | 95.94    | 1.66  |          |       | 15     | 439   |        |       | 90.59  | 1.76  | 18     | 378   | 77.97  | 2.0   | 21     | 320   | 66.13  | 2.4   | 23     | 289  | 59.70    | 2.7  | 11     | 616   |        |      | 127.27 | 0.91  | F 57   | 4     |          |       | 48     | 139   | 28.67  | 2.7   |       |       |        |       | 13     | 533   | 110.01 | 1.06  | 15     | 453   | 93.47  | 1.25  | 17     | 404   | 83.46  | 1.40  | 11     | 616   | 127.27   | 0.91  | F 107R77 | 4    | 30       | 228  |          |      | 47.02  | 0.83 |        |       | 13     | 533  |          |       | 110.01 | 1.06  | 15     | 453   | 93.47  | 1.25  | 17     | 404   | 83.46  | 1.40  | 0.50   | 18539 | 2776   | 0.91  | 0.58   | 16208 | 2427   | 1.04  | 0.64   | 14592 |          |      | 2185  | 1.16  |          |      | 0.72   | 12982 | 1944   | 1.30  | 0.84   | 11179 | 1674   | 1.51  | 1.1    | 8735  | 1308   | 1.94  | 1.2      | 7807  |          |       | 1169   | 2.2  | 1.5   | 6364  | 953    | 2.7  | 1.7    | 5643  | 845    | 3.0  |          |      | 3.1    | 2978  | 446      | 5.7   | 4.7    | 2010  | 301    | 8.4   | 0.68   | 13717 | 2054   | 0.82  | 0.78  | 12007 | 1798  | 0.94  | 0.86   | 10812 | 1619     | 1.04  | 1.0      | 9356  | 1401     | 1.21  | 1.1    | 8214  | 1230     | 1.37 | 1.3    | 7246  | 1085   | 1.56  | 1.1   | 8301  | 1243   | 0.89  | 1.3      | 7259  | 1087  | 1.02  | 1.5   | 6344  | 950  | 1.16  | 1.7    | 5570  | 834  | 1.32  | 1.9   | 4915  | 736  | 1.50  | 2.2   | 4274  | 640  | 1.72  |      |       |      |       |      |      |      |       |      |       |      |       |      |       |      |       |      |       |      |       |      |       |      |      |      |       |      |       |      |       |      |       |      |       |      |       |      |       |      |       |      |      |      |       |      |      |      |       |      |      |      |       |      |      |      |      |      |      |      |      |      |      |     |      |      |      |     |      |      |      |     |      |      |      |     |      |     |      |
| 5.1           | 1324       | 178.95   | 2.1                    | 5.7         | 1181    |               |            | 159.61   | 2.4                    |             |         | 5.1      | 1317  |        |      | 271.92  | 2.1   | F 87     | 4    |         |       | 29     | 231   | 47.66    | 1.63  |        |       | 5.4    | 1235  | 254.93 | 2.3   |        |       | 6.1    | 1107  | 228.57 | 2.5   |        |       | 4.6      | 1467  | 198.31 | 0.96  | F 77   | 6     | 33       | 206   | 42.55  | 1.82  |        |       | 4.8      | 1394  | 188.40 | 1.01  |        |       | 5.5      | 1232  | 166.47 | 1.14  | 6.4    | 1053  |          |       | 142.27 | 1.34  | 7.0      | 965   | 130.42 | 1.46  | 6.2    | 1094  | 225.79   | 1.29  | F 77   | 4     | 38     | 176   |          |       | 36.34    | 2.1  | 7.0    | 961  | 198.31 | 1.47  |        |      | 7.4    | 913   | 188.40 | 1.55  |        |       | 8.3    | 806   | 166.47 | 1.75  | 9.8    | 689   | 142.27   | 2.0   | 11     | 632   | 130.42 | 2.2   | 12       | 554  | 114.45 | 2.5   | 13     | 525   | 108.46   | 2.7  |          |      | 8.1    | 828   |        |       | 170.85   | 0.93  | F 67   | 4     | 41       | 165   |        |       | 34.04    | 2.3   | 8.6    | 786   |        |       | 162.31 | 0.98  |        |       | 9.8    | 690   | 142.40 | 1.12  | 12     | 585   | 120.79   | 1.32  | 13     | 528   | 109.04   | 1.46  | 14     | 465   | 95.94  | 1.66  | 15     | 439   | 90.59    | 1.76  |          |       | 18     | 378   |        |       | 77.97  | 2.0   | 21     | 320   | 66.13  | 2.4   | 23     | 289   | 59.70  | 2.7   | 11     | 616  | 127.27   | 0.91 | F 57   | 4     |        |      | 48     | 139   |        |       |          |       | 28.67  | 2.7   | 13     | 533   |       |       |        |       | 110.01 | 1.06  | 15     | 453   | 93.47  | 1.25  | 17     | 404   | 83.46  | 1.40  | 11     | 616   | 127.27 | 0.91  | F 107R77 | 4     |          |      | 30       | 228  |          |      | 47.02  | 0.83 | 13     | 533   | 110.01 | 1.06 |          |       | 15     | 453   | 93.47  | 1.25  | 17     | 404   | 83.46  | 1.40  | 0.50   | 18539 | 2776   | 0.91  | 0.58   | 16208 | 2427   | 1.04  | 0.64   | 14592 | 2185   | 1.16  |          |      | 0.72  | 12982 |          |      | 1944   | 1.30  | 0.84   | 11179 | 1674   | 1.51  | 1.1    | 8735  | 1308   | 1.94  | 1.2    | 7807  | 1169     | 2.2   |          |       | 1.5    | 6364 | 953   | 2.7   | 1.7    | 5643 | 845    | 3.0   | 3.1    | 2978 |          |      | 446    | 5.7   | 4.7      | 2010  | 301    | 8.4   | 0.68   | 13717 | 2054   | 0.82  | 0.78   | 12007 | 1798  | 0.94  | 0.86  | 10812 | 1619   | 1.04  | 1.0      | 9356  | 1401     | 1.21  | 1.1      | 8214  | 1230   | 1.37  | 1.3      | 7246 | 1085   | 1.56  | 1.1    | 8301  | 1243  | 0.89  | 1.3    | 7259  | 1087     | 1.02  | 1.5   | 6344  | 950   | 1.16  | 1.7  | 5570  | 834    | 1.32  | 1.9  | 4915  | 736   | 1.50  | 2.2  | 4274  | 640   | 1.72  |      |       |      |       |      |       |      |      |      |       |      |       |      |       |      |       |      |       |      |       |      |       |      |       |      |      |      |       |      |       |      |       |      |       |      |       |      |       |      |       |      |       |      |      |      |       |      |      |      |       |      |      |      |       |      |      |      |      |      |      |      |      |      |      |     |      |      |      |     |      |      |      |     |      |      |      |     |      |     |      |
| 5.7           | 1181       | 159.61   | 2.4                    | 5.1         | 1317    |               |            | 271.92   | 2.1                    | F 87        | 4       | 29       | 231   |        |      | 47.66   | 1.63  |          |      |         |       | 5.4    | 1235  | 254.93   | 2.3   |        |       | 6.1    | 1107  | 228.57 | 2.5   |        |       | 4.6    | 1467  | 198.31 | 0.96  | F 77   | 6     | 33       | 206   | 42.55  | 1.82  |        |       | 4.8      | 1394  | 188.40 | 1.01  |        |       | 5.5      | 1232  | 166.47 | 1.14  |        |       | 6.4      | 1053  | 142.27 | 1.34  | 7.0    | 965   |          |       | 130.42 | 1.46  | 6.2      | 1094  | 225.79 | 1.29  | F 77   | 4     | 38       | 176   |        |       | 36.34  | 2.1   |          |       | 7.0      | 961  | 198.31 | 1.47 | 7.4    | 913   |        |      | 188.40 | 1.55  | 8.3    | 806   |        |       | 166.47 | 1.75  | 9.8    | 689   | 142.27 | 2.0   | 11       | 632   | 130.42 | 2.2   | 12     | 554   | 114.45   | 2.5  | 13     | 525   | 108.46 | 2.7   | 8.1      | 828  |          |      | 170.85 | 0.93  |        |       | F 67     | 4     |        |       | 41       | 165   |        |       | 34.04    | 2.3   | 8.6    | 786   |        |       | 162.31 | 0.98  |        |       | 9.8    | 690   | 142.40 | 1.12  | 12     | 585   | 120.79   | 1.32  | 13     | 528   | 109.04   | 1.46  | 14     | 465   | 95.94  | 1.66  | 15     | 439   | 90.59    | 1.76  |          |       | 18     | 378   |        |       | 77.97  | 2.0   | 21     | 320   | 66.13  | 2.4   | 23     | 289   | 59.70  | 2.7   | 11     | 616  | 127.27   | 0.91 |        |       |        |      | F 57   | 4     |        |       | 48       | 139   | 28.67  | 2.7   | 13     | 533   |       |       |        |       | 110.01 | 1.06  | 15     | 453   | 93.47  | 1.25  | 17     | 404   | 83.46  | 1.40  | 11     | 616   | 127.27 | 0.91  |          |       |          |      | F 107R77 | 4    |          |      | 30     | 228  | 47.02  | 0.83  | 13     | 533  |          |       | 110.01 | 1.06  | 15     | 453   | 93.47  | 1.25  | 17     | 404   | 83.46  | 1.40  | 0.50   | 18539 | 2776   | 0.91  | 0.58   | 16208 | 2427   | 1.04  | 0.64   | 14592 |          |      | 2185  | 1.16  |          |      | 0.72   | 12982 | 1944   | 1.30  | 0.84   | 11179 | 1674   | 1.51  | 1.1    | 8735  | 1308   | 1.94  | 1.2      | 7807  |          |       | 1169   | 2.2  | 1.5   | 6364  | 953    | 2.7  | 1.7    | 5643  | 845    | 3.0  | 3.1      | 2978 | 446    | 5.7   | 4.7      | 2010  | 301    | 8.4   | 0.68   | 13717 | 2054   | 0.82  | 0.78   | 12007 | 1798  | 0.94  | 0.86  | 10812 | 1619   | 1.04  | 1.0      | 9356  | 1401     | 1.21  | 1.1      | 8214  | 1230   | 1.37  | 1.3      | 7246 | 1085   | 1.56  | 1.1    | 8301  | 1243  | 0.89  | 1.3    | 7259  | 1087     | 1.02  | 1.5   | 6344  | 950   | 1.16  | 1.7  | 5570  | 834    | 1.32  | 1.9  | 4915  | 736   | 1.50  | 2.2  | 4274  | 640   | 1.72  |      |       |      |       |      |       |      |      |      |       |      |       |      |       |      |       |      |       |      |       |      |       |      |       |      |      |      |       |      |       |      |       |      |       |      |       |      |       |      |       |      |       |      |      |      |       |      |      |      |       |      |      |      |       |      |      |      |      |      |      |      |      |      |      |     |      |      |      |     |      |      |      |     |      |      |      |     |      |     |      |
| 5.1           | 1317       | 271.92   | 2.1                    | F 87        | 4       |               |            | 29       | 231                    |             |         | 47.66    | 1.63  |        |      |         |       |          |      |         |       |        |       |          |       |        |       |        |       |        |       |        |       |        |       |        |       |        |       |          |       |        |       |        |       |          |       |        |       |        |       |          |       |        |       |        |       |          |       |        |       |        |       |          |       |        |       |          |       |        |       |        |       |          |       |        |       |        |       |          |       |          |      |        |      |        |       |        |      |        |       |        |       |        |       |        |       |        |       |        |       |          |       |        |       |        |       |          |      |        |       |        |       |          |      |          |      |        |       |        |       |          |       |        |       |          |       |        |       |          |       |        |       |        |       |        |       |        |       |        |       |        |       |        |       |          |       |        |       |          |       |        |       |        |       |        |       |          |       |          |       |        |       |        |       |        |       |        |       |        |       |        |       |        |       |        |      |          |      |        |       |        |      |        |       |        |       |          |       |        |       |        |       |       |       |        |       |        |       |        |       |        |       |        |       |        |       |        |       |        |       |          |       |          |      |          |      |          |      |        |      |        |       |        |      |          |       |        |       |        |       |        |       |        |       |        |       |        |       |        |       |        |       |        |       |        |       |          |      |       |       |          |      |        |       |        |       |        |       |        |       |        |       |        |       |          |       |          |       |        |      |       |       |        |      |        |       |        |      |          |      |        |       |          |       |        |       |        |       |        |       |        |       |       |       |       |       |        |       |          |       |          |       |          |       |        |       |          |      |        |       |        |       |       |       |        |       |          |       |       |       |       |       |      |       |        |       |      |       |       |       |      |       |       |       |      |       |      |       |      |       |      |      |      |       |      |       |      |       |      |       |      |       |      |       |      |       |      |       |      |      |      |       |      |       |      |       |      |       |      |       |      |       |      |       |      |       |      |      |      |       |      |      |      |       |      |      |      |       |      |      |      |      |      |      |      |      |      |      |     |      |      |      |     |      |      |      |     |      |      |      |     |      |     |      |
| 5.4           | 1235       | 254.93   | 2.3                    |             |         |               |            | 6.1      | 1107                   |             |         | 228.57   | 2.5   | 4.6    | 1467 | 198.31  | 0.96  |          |      | F 77    | 6     | 33     | 206   | 42.55    | 1.82  | 4.8    | 1394  | 188.40 | 1.01  | 5.5    | 1232  | 166.47 | 1.14  | 6.4    | 1053  | 142.27 | 1.34  |        |       | 7.0      | 965   | 130.42 | 1.46  |        |       | 6.2      | 1094  | 225.79 | 1.29  |        |       | F 77     | 4     | 38     | 176   | 36.34  | 2.1   | 7.0      | 961   | 198.31 | 1.47  | 7.4    | 913   | 188.40   | 1.55  | 8.3    | 806   | 166.47   | 1.75  | 9.8    | 689   |        |       | 142.27   | 2.0   |        |       | 11     | 632   |          |       | 130.42   | 2.2  | 12     | 554  | 114.45 | 2.5   |        |      | 13     | 525   | 108.46 | 2.7   |        |       | 8.1    | 828   | 170.85 | 0.93  | F 67   | 4     | 41       | 165   | 34.04  | 2.3   | 8.6    | 786   | 162.31   | 0.98 | 9.8    | 690   | 142.40 | 1.12  | 12       | 585  | 120.79   | 1.32 | 13     | 528   | 109.04 | 1.46  |          |       |        |       | 14       | 465   |        |       | 95.94    | 1.66  | 15     | 439   |        |       | 90.59  | 1.76  |        |       | 18     | 378   | 77.97  | 2.0   | 21     | 320   | 66.13    | 2.4   | 23     | 289   | 59.70    | 2.7   | 11     | 616   | 127.27 | 0.91  | F 57   | 4     | 48       | 139   |          |       | 28.67  | 2.7   |        |       | 13     | 533   | 110.01 | 1.06  | 15     | 453   | 93.47  | 1.25  | 17     | 404   | 83.46  | 1.40 | 11       | 616  |        |       | 127.27 | 0.91 |        |       |        |       | F 107R77 | 4     | 30     | 228   | 47.02  | 0.83  | 13    | 533   | 110.01 | 1.06  | 15     | 453   | 93.47  | 1.25  | 17     | 404   | 83.46  | 1.40  | 0.50   | 18539 | 2776   | 0.91  | 0.58   | 16208 |          |       |          |      |          |      |          |      | 2427   | 1.04 | 0.64   | 14592 | 2185   | 1.16 |          |       | 0.72   | 12982 | 1944   | 1.30  | 0.84   | 11179 | 1674   | 1.51  | 1.1    | 8735  | 1308   | 1.94  | 1.2    | 7807  | 1169   | 2.2   | 1.5    | 6364  | 953    | 2.7   |          |      | 1.7   | 5643  |          |      | 845    | 3.0   | 3.1    | 2978  | 446    | 5.7   | 4.7    | 2010  | 301    | 8.4   | 0.68   | 13717 | 2054     | 0.82  | 0.78     | 12007 | 1798   | 0.94 | 0.86  | 10812 | 1619   | 1.04 | 1.0    | 9356  | 1401   | 1.21 | 1.1      | 8214 | 1230   | 1.37  | 1.3      | 7246  | 1085   | 1.56  | 1.1    | 8301  | 1243   | 0.89  | 1.3    | 7259  | 1087  | 1.02  | 1.5   | 6344  | 950    | 1.16  | 1.7      | 5570  | 834      | 1.32  | 1.9      | 4915  | 736    | 1.50  | 2.2      | 4274 | 640    | 1.72  |        |       |       |       |        |       |          |       |       |       |       |       |      |       |        |       |      |       |       |       |      |       |       |       |      |       |      |       |      |       |      |      |      |       |      |       |      |       |      |       |      |       |      |       |      |       |      |       |      |      |      |       |      |       |      |       |      |       |      |       |      |       |      |       |      |       |      |      |      |       |      |      |      |       |      |      |      |       |      |      |      |      |      |      |      |      |      |      |     |      |      |      |     |      |      |      |     |      |      |      |     |      |     |      |
| 6.1           | 1107       | 228.57   | 2.5                    |             |         | 4.6           | 1467       | 198.31   | 0.96                   |             |         | F 77     | 6     | 33     | 206  | 42.55   | 1.82  | 4.8      | 1394 |         |       | 188.40 | 1.01  | 5.5      | 1232  | 166.47 | 1.14  | 6.4    | 1053  | 142.27 | 1.34  | 7.0    | 965   | 130.42 | 1.46  | 6.2    | 1094  |        |       | 225.79   | 1.29  | F 77   | 4     |        |       | 38       | 176   | 36.34  | 2.1   | 7.0    | 961   |          |       | 198.31 | 1.47  | 7.4    | 913   | 188.40   | 1.55  | 8.3    | 806   | 166.47 | 1.75  | 9.8      | 689   | 142.27 | 2.0   | 11       | 632   | 130.42 | 2.2   |        |       | 12       | 554   |        |       | 114.45 | 2.5   |          |       | 13       | 525  | 108.46 | 2.7  | 8.1    | 828   |        |      | 170.85 | 0.93  | F 67   | 4     |        |       | 41     | 165   | 34.04  | 2.3   |        |       | 8.6      | 786   | 162.31 | 0.98  | 9.8    | 690   | 142.40   | 1.12 | 12     | 585   | 120.79 | 1.32  | 13       | 528  | 109.04   | 1.46 | 14     | 465   | 95.94  | 1.66  |          |       |        |       | 15       | 439   |        |       | 90.59    | 1.76  | 18     | 378   |        |       | 77.97  | 2.0   |        |       | 21     | 320   | 66.13  | 2.4   | 23     | 289   | 59.70    | 2.7   | 11     | 616   | 127.27   | 0.91  | F 57   | 4     | 48     | 139   |        |       | 28.67    | 2.7   |          |       | 13     | 533   | 110.01 | 1.06  | 15     | 453   | 93.47  | 1.25  | 17     | 404   | 83.46  | 1.40  | 11     | 616   | 127.27 | 0.91 | F 107R77 | 4    |        |       | 30     | 228  |        |       | 47.02  | 0.83  |          |       | 13     | 533   | 110.01 | 1.06  | 15    | 453   | 93.47  | 1.25  | 17     | 404   | 83.46  | 1.40  | 0.50   | 18539 | 2776   | 0.91  | 0.58   | 16208 | 2427   | 1.04  | 0.64   | 14592 |          |       |          |      |          |      |          |      | 2185   | 1.16 | 0.72   | 12982 | 1944   | 1.30 |          |       | 0.84   | 11179 | 1674   | 1.51  | 1.1    | 8735  | 1308   | 1.94  | 1.2    | 7807  | 1169   | 2.2   | 1.5    | 6364  | 953    | 2.7   | 1.7    | 5643  | 845    | 3.0   |          |      | 3.1   | 2978  | 446      | 5.7  | 4.7    | 2010  | 301    | 8.4   | 0.68   | 13717 | 2054   | 0.82  | 0.78   | 12007 | 1798   | 0.94  | 0.86     | 10812 | 1619     | 1.04  | 1.0    | 9356 | 1401  | 1.21  | 1.1    | 8214 | 1230   | 1.37  | 1.3    | 7246 | 1085     | 1.56 | 1.1    | 8301  | 1243     | 0.89  | 1.3    | 7259  | 1087   | 1.02  | 1.5    | 6344  | 950    | 1.16  | 1.7   | 5570  | 834   | 1.32  | 1.9    | 4915  | 736      | 1.50  | 2.2      | 4274  | 640      | 1.72  |        |       |          |      |        |       |        |       |       |       |        |       |          |       |       |       |       |       |      |       |        |       |      |       |       |       |      |       |       |       |      |       |      |       |      |       |      |      |      |       |      |       |      |       |      |       |      |       |      |       |      |       |      |       |      |      |      |       |      |       |      |       |      |       |      |       |      |       |      |       |      |       |      |      |      |       |      |      |      |       |      |      |      |       |      |      |      |      |      |      |      |      |      |      |     |      |      |      |     |      |      |      |     |      |      |      |     |      |     |      |
| 4.6           | 1467       | 198.31   | 0.96                   |             |         | F 77          | 6          | 33       | 206                    | 42.55       | 1.82    |          |       |        |      |         |       |          |      |         |       |        |       |          |       |        |       |        |       |        |       |        |       |        |       |        |       |        |       |          |       |        |       |        |       |          |       |        |       |        |       |          |       |        |       |        |       |          |       |        |       |        |       |          |       |        |       |          |       |        |       |        |       |          |       |        |       |        |       |          |       |          |      |        |      |        |       |        |      |        |       |        |       |        |       |        |       |        |       |        |       |          |       |        |       |        |       |          |      |        |       |        |       |          |      |          |      |        |       |        |       |          |       |        |       |          |       |        |       |          |       |        |       |        |       |        |       |        |       |        |       |        |       |        |       |          |       |        |       |          |       |        |       |        |       |        |       |          |       |          |       |        |       |        |       |        |       |        |       |        |       |        |       |        |       |        |      |          |      |        |       |        |      |        |       |        |       |          |       |        |       |        |       |       |       |        |       |        |       |        |       |        |       |        |       |        |       |        |       |        |       |          |       |          |      |          |      |          |      |        |      |        |       |        |      |          |       |        |       |        |       |        |       |        |       |        |       |        |       |        |       |        |       |        |       |        |       |          |      |       |       |          |      |        |       |        |       |        |       |        |       |        |       |        |       |          |       |          |       |        |      |       |       |        |      |        |       |        |      |          |      |        |       |          |       |        |       |        |       |        |       |        |       |       |       |       |       |        |       |          |       |          |       |          |       |        |       |          |      |        |       |        |       |       |       |        |       |          |       |       |       |       |       |      |       |        |       |      |       |       |       |      |       |       |       |      |       |      |       |      |       |      |      |      |       |      |       |      |       |      |       |      |       |      |       |      |       |      |       |      |      |      |       |      |       |      |       |      |       |      |       |      |       |      |       |      |       |      |      |      |       |      |      |      |       |      |      |      |       |      |      |      |      |      |      |      |      |      |      |     |      |      |      |     |      |      |      |     |      |      |      |     |      |     |      |
| 4.8           | 1394       | 188.40   | 1.01                   | 5.5         | 1232    |               |            | 166.47   | 1.14                   | 6.4         | 1053    |          |       | 142.27 | 1.34 | 7.0     | 965   | 130.42   | 1.46 |         |       | 6.2    | 1094  | 225.79   | 1.29  | F 77   | 4     | 38     | 176   | 36.34  | 2.1   | 7.0    | 961   | 198.31 | 1.47  | 7.4    | 913   | 188.40 | 1.55  | 8.3      | 806   |        |       | 166.47 | 1.75  | 9.8      | 689   | 142.27 | 2.0   | 11     | 632   |          |       | 130.42 | 2.2   | 12     | 554   | 114.45   | 2.5   | 13     | 525   | 108.46 | 2.7   | 8.1      | 828   | 170.85 | 0.93  | F 67     | 4     | 41     | 165   |        |       | 34.04    | 2.3   |        |       | 8.6    | 786   |          |       | 162.31   | 0.98 | 9.8    | 690  | 142.40 | 1.12  | 12     | 585  | 120.79 | 1.32  |        |       | 13     | 528   | 109.04 | 1.46  | 14     | 465   |        |       | 95.94    | 1.66  | 15     | 439   | 90.59  | 1.76  | 18       | 378  | 77.97  | 2.0   | 21     | 320   | 66.13    | 2.4  | 23       | 289  | 59.70  | 2.7   | 11     | 616   |          |       |        |       | 127.27   | 0.91  |        |       | F 57     | 4     | 48     | 139   |        |       | 28.67  | 2.7   |        |       | 13     | 533   | 110.01 | 1.06  | 15     | 453   | 93.47    | 1.25  | 17     | 404   | 83.46    | 1.40  |        |       | 11     | 616   |        |       | 127.27   | 0.91  | F 107R77 | 4     | 30     | 228   | 47.02  | 0.83  | 13     | 533   | 110.01 | 1.06  | 15     | 453   | 93.47  | 1.25  | 17     | 404   | 83.46  | 1.40 |          |      | 0.50   | 18539 | 2776   | 0.91 | 0.58   | 16208 | 2427   | 1.04  |          |       | 0.64   | 14592 | 2185   | 1.16  | 0.72  | 12982 | 1944   | 1.30  | 0.84   | 11179 | 1674   | 1.51  | 1.1    | 8735  | 1308   | 1.94  | 1.2    | 7807  | 1169   | 2.2   | 1.5    | 6364  |          |       |          |      |          |      |          |      | 953    | 2.7  | 1.7    | 5643  | 845    | 3.0  |          |       | 3.1    | 2978  | 446    | 5.7   | 4.7    | 2010  | 301    | 8.4   | 0.68   | 13717 | 2054   | 0.82  | 0.78   | 12007 | 1798   | 0.94  | 0.86   | 10812 | 1619   | 1.04  | 1.0      | 9356 | 1401  | 1.21  | 1.1      | 8214 | 1230   | 1.37  | 1.3    | 7246  | 1085   | 1.56  | 1.1    | 8301  | 1243   | 0.89  | 1.3    | 7259  | 1087     | 1.02  | 1.5      | 6344  | 950    | 1.16 | 1.7   | 5570  | 834    | 1.32 | 1.9    | 4915  | 736    | 1.50 | 2.2      | 4274 | 640    | 1.72  |          |       |        |       |        |       |        |       |        |       |       |       |       |       |        |       |          |       |          |       |          |       |        |       |          |      |        |       |        |       |       |       |        |       |          |       |       |       |       |       |      |       |        |       |      |       |       |       |      |       |       |       |      |       |      |       |      |       |      |      |      |       |      |       |      |       |      |       |      |       |      |       |      |       |      |       |      |      |      |       |      |       |      |       |      |       |      |       |      |       |      |       |      |       |      |      |      |       |      |      |      |       |      |      |      |       |      |      |      |      |      |      |      |      |      |      |     |      |      |      |     |      |      |      |     |      |      |      |     |      |     |      |
| 5.5           | 1232       | 166.47   | 1.14                   | 6.4         | 1053    |               |            | 142.27   | 1.34                   | 7.0         | 965     |          |       | 130.42 | 1.46 | 6.2     | 1094  | 225.79   | 1.29 |         |       | F 77   | 4     | 38       | 176   |        |       | 36.34  | 2.1   | 7.0    | 961   | 198.31 | 1.47  | 7.4    | 913   | 188.40 | 1.55  | 8.3    | 806   | 166.47   | 1.75  |        |       | 9.8    | 689   | 142.27   | 2.0   | 11     | 632   | 130.42 | 2.2   |          |       | 12     | 554   | 114.45 | 2.5   | 13       | 525   | 108.46 | 2.7   | 8.1    | 828   | 170.85   | 0.93  | F 67   | 4     |          |       | 41     | 165   |        |       | 34.04    | 2.3   |        |       | 8.6    | 786   | 162.31   | 0.98  | 9.8      | 690  | 142.40 | 1.12 | 12     | 585   | 120.79 | 1.32 | 13     | 528   |        |       | 109.04 | 1.46  | 14     | 465   | 95.94  | 1.66  |        |       | 15       | 439   | 90.59  | 1.76  | 18     | 378   | 77.97    | 2.0  | 21     | 320   | 66.13  | 2.4   | 23       | 289  | 59.70    | 2.7  | 11     | 616   | 127.27 | 0.91  |          |       |        |       | F 57     | 4     |        |       |          |       | 48     | 139   |        |       | 28.67  | 2.7   | 13     | 533   | 110.01 | 1.06  | 15     | 453   | 93.47  | 1.25  | 17       | 404   | 83.46  | 1.40  | 11       | 616   |        |       | 127.27 | 0.91  |        |       | F 107R77 | 4     |          |       | 30     | 228   | 47.02  | 0.83  | 13     | 533   | 110.01 | 1.06  | 15     | 453   | 93.47  | 1.25  | 17     | 404   | 83.46  | 1.40 |          |      | 0.50   | 18539 | 2776   | 0.91 | 0.58   | 16208 | 2427   | 1.04  |          |       | 0.64   | 14592 | 2185   | 1.16  | 0.72  | 12982 | 1944   | 1.30  | 0.84   | 11179 | 1674   | 1.51  | 1.1    | 8735  | 1308   | 1.94  | 1.2    | 7807  | 1169   | 2.2   | 1.5    | 6364  |          |       |          |      |          |      | 953      | 2.7  | 1.7    | 5643 | 845    | 3.0   | 3.1    | 2978 |          |       | 446    | 5.7   | 4.7    | 2010  | 301    | 8.4   | 0.68   | 13717 | 2054   | 0.82  | 0.78   | 12007 | 1798   | 0.94  | 0.86   | 10812 | 1619   | 1.04  | 1.0    | 9356  | 1401     | 1.21 | 1.1   | 8214  | 1230     | 1.37 | 1.3    | 7246  | 1085   | 1.56  | 1.1    | 8301  | 1243   | 0.89  | 1.3    | 7259  | 1087   | 1.02  | 1.5      | 6344  | 950      | 1.16  | 1.7    | 5570 | 834   | 1.32  | 1.9    | 4915 | 736    | 1.50  | 2.2    | 4274 | 640      | 1.72 |        |       |          |       |        |       |        |       |        |       |        |       |       |       |       |       |        |       |          |       |          |       |          |       |        |       |          |      |        |       |        |       |       |       |        |       |          |       |       |       |       |       |      |       |        |       |      |       |       |       |      |       |       |       |      |       |      |       |      |       |      |      |      |       |      |       |      |       |      |       |      |       |      |       |      |       |      |       |      |      |      |       |      |       |      |       |      |       |      |       |      |       |      |       |      |       |      |      |      |       |      |      |      |       |      |      |      |       |      |      |      |      |      |      |      |      |      |      |     |      |      |      |     |      |      |      |     |      |      |      |     |      |     |      |
| 6.4           | 1053       | 142.27   | 1.34                   | 7.0         | 965     |               |            | 130.42   | 1.46                   | 6.2         | 1094    |          |       | 225.79 | 1.29 | F 77    | 4     | 38       | 176  | 36.34   | 2.1   |        |       | 7.0      | 961   |        |       | 198.31 | 1.47  | 7.4    | 913   | 188.40 | 1.55  | 8.3    | 806   | 166.47 | 1.75  | 9.8    | 689   | 142.27   | 2.0   |        |       | 11     | 632   | 130.42   | 2.2   | 12     | 554   | 114.45 | 2.5   |          |       | 13     | 525   | 108.46 | 2.7   | 8.1      | 828   | 170.85 | 0.93  | F 67   | 4     | 41       | 165   |        |       |          |       | 34.04  | 2.3   |        |       | 8.6      | 786   | 162.31 | 0.98  | 9.8    | 690   | 142.40   | 1.12  | 12       | 585  | 120.79 | 1.32 | 13     | 528   | 109.04 | 1.46 | 14     | 465   |        |       | 95.94  | 1.66  | 15     | 439   | 90.59  | 1.76  |        |       | 18       | 378   | 77.97  | 2.0   | 21     | 320   | 66.13    | 2.4  | 23     | 289   | 59.70  | 2.7   | 11       | 616  | 127.27   | 0.91 | F 57   | 4     | 48     | 139   |          |       |        |       |          |       |        |       |          |       | 28.67  | 2.7   | 13     | 533   | 110.01 | 1.06  | 15     | 453   | 93.47  | 1.25  | 17     | 404   | 83.46  | 1.40  | 11       | 616   | 127.27 | 0.91  | F 107R77 | 4     |        |       | 30     | 228   | 47.02  | 0.83  |          |       |          |       | 13     | 533   | 110.01 | 1.06  | 15     | 453   | 93.47  | 1.25  | 17     | 404   | 83.46  | 1.40  | 0.50   | 18539 | 2776   | 0.91 |          |      | 0.58   | 16208 | 2427   | 1.04 | 0.64   | 14592 | 2185   | 1.16  |          |       | 0.72   | 12982 | 1944   | 1.30  | 0.84  | 11179 | 1674   | 1.51  | 1.1    | 8735  | 1308   | 1.94  | 1.2    | 7807  | 1169   | 2.2   | 1.5    | 6364  | 953    | 2.7   | 1.7    | 5643  |          |       |          |      |          |      | 845      | 3.0  | 3.1    | 2978 | 446    | 5.7   | 4.7    | 2010 | 301      | 8.4   | 0.68   | 13717 | 2054   | 0.82  | 0.78   | 12007 | 1798   | 0.94  | 0.86   | 10812 | 1619   | 1.04  | 1.0    | 9356  | 1401   | 1.21  | 1.1    | 8214  | 1230   | 1.37  | 1.3      | 7246 | 1085  | 1.56  | 1.1      | 8301 | 1243   | 0.89  | 1.3    | 7259  | 1087   | 1.02  | 1.5    | 6344  | 950    | 1.16  | 1.7    | 5570  | 834      | 1.32  | 1.9      | 4915  | 736    | 1.50 | 2.2   | 4274  | 640    | 1.72 |        |       |        |      |          |      |        |       |          |       |        |       |        |       |        |       |        |       |       |       |       |       |        |       |          |       |          |       |          |       |        |       |          |      |        |       |        |       |       |       |        |       |          |       |       |       |       |       |      |       |        |       |      |       |       |       |      |       |       |       |      |       |      |       |      |       |      |      |      |       |      |       |      |       |      |       |      |       |      |       |      |       |      |       |      |      |      |       |      |       |      |       |      |       |      |       |      |       |      |       |      |       |      |      |      |       |      |      |      |       |      |      |      |       |      |      |      |      |      |      |      |      |      |      |     |      |      |      |     |      |      |      |     |      |      |      |     |      |     |      |
| 7.0           | 965        | 130.42   | 1.46                   | 6.2         | 1094    |               |            | 225.79   | 1.29                   | F 77        | 4       | 38       | 176   | 36.34  | 2.1  |         |       | 7.0      | 961  | 198.31  | 1.47  |        |       | 7.4      | 913   |        |       | 188.40 | 1.55  | 8.3    | 806   | 166.47 | 1.75  | 9.8    | 689   | 142.27 | 2.0   | 11     | 632   | 130.42   | 2.2   |        |       | 12     | 554   | 114.45   | 2.5   | 13     | 525   | 108.46 | 2.7   |          |       | 8.1    | 828   | 170.85 | 0.93  | F 67     | 4     | 41     | 165   |        |       | 34.04    | 2.3   |        |       |          |       | 8.6    | 786   | 162.31 | 0.98  | 9.8      | 690   | 142.40 | 1.12  | 12     | 585   | 120.79   | 1.32  | 13       | 528  | 109.04 | 1.46 | 14     | 465   | 95.94  | 1.66 | 15     | 439   |        |       | 90.59  | 1.76  | 18     | 378   | 77.97  | 2.0   |        |       | 21       | 320   | 66.13  | 2.4   | 23     | 289   | 59.70    | 2.7  | 11     | 616   | 127.27 | 0.91  | F 57     | 4    | 48       | 139  |        |       | 28.67  | 2.7   |          |       |        |       |          |       | 13     | 533   |          |       | 110.01 | 1.06  | 15     | 453   | 93.47  | 1.25  | 17     | 404   | 83.46  | 1.40  | 11     | 616   | 127.27 | 0.91  | F 107R77 | 4     | 30     | 228   |          |       | 47.02  | 0.83  | 13     | 533   | 110.01 | 1.06  |          |       |          |       | 15     | 453   | 93.47  | 1.25  | 17     | 404   | 83.46  | 1.40  | 0.50   | 18539 | 2776   | 0.91  | 0.58   | 16208 | 2427   | 1.04 |          |      | 0.64   | 14592 | 2185   | 1.16 | 0.72   | 12982 | 1944   | 1.30  |          |       | 0.84   | 11179 | 1674   | 1.51  | 1.1   | 8735  | 1308   | 1.94  | 1.2    | 7807  | 1169   | 2.2   | 1.5    | 6364  | 953    | 2.7   | 1.7    | 5643  | 845    | 3.0   | 3.1    | 2978  |          |       | 446      | 5.7  |          |      | 4.7      | 2010 | 301    | 8.4  | 0.68   | 13717 | 2054   | 0.82 | 0.78     | 12007 | 1798   | 0.94  | 0.86   | 10812 | 1619   | 1.04  | 1.0    | 9356  | 1401   | 1.21  | 1.1    | 8214  | 1230   | 1.37  | 1.3    | 7246  | 1085   | 1.56  | 1.1    | 8301  | 1243     | 0.89 | 1.3   | 7259  | 1087     | 1.02 | 1.5    | 6344  | 950    | 1.16  | 1.7    | 5570  | 834    | 1.32  | 1.9    | 4915  | 736    | 1.50  | 2.2      | 4274  | 640      | 1.72  |        |      |       |       |        |      |        |       |        |      |          |      |        |       |          |       |        |       |        |       |        |       |        |       |       |       |       |       |        |       |          |       |          |       |          |       |        |       |          |      |        |       |        |       |       |       |        |       |          |       |       |       |       |       |      |       |        |       |      |       |       |       |      |       |       |       |      |       |      |       |      |       |      |      |      |       |      |       |      |       |      |       |      |       |      |       |      |       |      |       |      |      |      |       |      |       |      |       |      |       |      |       |      |       |      |       |      |       |      |      |      |       |      |      |      |       |      |      |      |       |      |      |      |      |      |      |      |      |      |      |     |      |      |      |     |      |      |      |     |      |      |      |     |      |     |      |
| 6.2           | 1094       | 225.79   | 1.29                   | F 77        | 4       | 38            | 176        | 36.34    | 2.1                    |             |         |          |       |        |      |         |       |          |      |         |       |        |       |          |       |        |       |        |       |        |       |        |       |        |       |        |       |        |       |          |       |        |       |        |       |          |       |        |       |        |       |          |       |        |       |        |       |          |       |        |       |        |       |          |       |        |       |          |       |        |       |        |       |          |       |        |       |        |       |          |       |          |      |        |      |        |       |        |      |        |       |        |       |        |       |        |       |        |       |        |       |          |       |        |       |        |       |          |      |        |       |        |       |          |      |          |      |        |       |        |       |          |       |        |       |          |       |        |       |          |       |        |       |        |       |        |       |        |       |        |       |        |       |        |       |          |       |        |       |          |       |        |       |        |       |        |       |          |       |          |       |        |       |        |       |        |       |        |       |        |       |        |       |        |       |        |      |          |      |        |       |        |      |        |       |        |       |          |       |        |       |        |       |       |       |        |       |        |       |        |       |        |       |        |       |        |       |        |       |        |       |          |       |          |      |          |      |          |      |        |      |        |       |        |      |          |       |        |       |        |       |        |       |        |       |        |       |        |       |        |       |        |       |        |       |        |       |          |      |       |       |          |      |        |       |        |       |        |       |        |       |        |       |        |       |          |       |          |       |        |      |       |       |        |      |        |       |        |      |          |      |        |       |          |       |        |       |        |       |        |       |        |       |       |       |       |       |        |       |          |       |          |       |          |       |        |       |          |      |        |       |        |       |       |       |        |       |          |       |       |       |       |       |      |       |        |       |      |       |       |       |      |       |       |       |      |       |      |       |      |       |      |      |      |       |      |       |      |       |      |       |      |       |      |       |      |       |      |       |      |      |      |       |      |       |      |       |      |       |      |       |      |       |      |       |      |       |      |      |      |       |      |      |      |       |      |      |      |       |      |      |      |      |      |      |      |      |      |      |     |      |      |      |     |      |      |      |     |      |      |      |     |      |     |      |
| 7.0           | 961        | 198.31   | 1.47                   |             |         | 7.4           | 913        | 188.40   | 1.55                   |             |         | 8.3      | 806   | 166.47 | 1.75 |         |       | 9.8      | 689  | 142.27  | 2.0   |        |       | 11       | 632   |        |       | 130.42 | 2.2   | 12     | 554   | 114.45 | 2.5   | 13     | 525   | 108.46 | 2.7   | 8.1    | 828   | 170.85   | 0.93  |        |       | F 67   | 4     | 41       | 165   | 34.04  | 2.3   | 8.6    | 786   | 162.31   | 0.98  | 9.8    | 690   | 142.40 | 1.12  |          |       | 12     | 585   |        |       | 120.79   | 1.32  |        |       |          |       | 13     | 528   | 109.04 | 1.46  | 14       | 465   | 95.94  | 1.66  | 15     | 439   | 90.59    | 1.76  | 18       | 378  | 77.97  | 2.0  | 21     | 320   | 66.13  | 2.4  | 23     | 289   |        |       | 59.70  | 2.7   | 11     | 616   | 127.27 | 0.91  |        |       | F 57     | 4     | 48     | 139   | 28.67  | 2.7   | 13       | 533  | 110.01 | 1.06  | 15     | 453   |          |      | 93.47    | 1.25 |        |       | 17     | 404   | 83.46    | 1.40  | 11     | 616   |          |       | 127.27 | 0.91  | F 107R77 | 4     | 30     | 228   | 47.02  | 0.83  | 13     | 533   | 110.01 | 1.06  | 15     | 453   | 93.47  | 1.25  | 17     | 404   |          |       | 83.46  | 1.40  |          |       | 0.50   | 18539 | 2776   | 0.91  | 0.58   | 16208 |          |       |          |       | 2427   | 1.04  | 0.64   | 14592 | 2185   | 1.16  | 0.72   | 12982 | 1944   | 1.30  | 0.84   | 11179 | 1674   | 1.51  | 1.1    | 8735 |          |      | 1308   | 1.94  | 1.2    | 7807 | 1169   | 2.2   | 1.5    | 6364  |          |       | 953    | 2.7   | 1.7    | 5643  | 845   | 3.0   | 3.1    | 2978  | 446    | 5.7   | 4.7    | 2010  | 301    | 8.4   | 0.68   | 13717 | 2054   | 0.82  | 0.78   | 12007 | 1798   | 0.94  | 0.86     | 10812 | 1619     | 1.04 | 1.0      | 9356 | 1401     | 1.21 | 1.1    | 8214 | 1230   | 1.37  | 1.3    | 7246 | 1085     | 1.56  | 1.1    | 8301  | 1243   | 0.89  | 1.3    | 7259  | 1087   | 1.02  | 1.5    | 6344  | 950    | 1.16  | 1.7    | 5570  | 834    | 1.32  | 1.9    | 4915  | 736    | 1.50  | 2.2      | 4274 | 640   | 1.72  |          |      |        |       |        |       |        |       |        |       |        |       |        |       |          |       |          |       |        |      |       |       |        |      |        |       |        |      |          |      |        |       |          |       |        |       |        |       |        |       |        |       |       |       |       |       |        |       |          |       |          |       |          |       |        |       |          |      |        |       |        |       |       |       |        |       |          |       |       |       |       |       |      |       |        |       |      |       |       |       |      |       |       |       |      |       |      |       |      |       |      |      |      |       |      |       |      |       |      |       |      |       |      |       |      |       |      |       |      |      |      |       |      |       |      |       |      |       |      |       |      |       |      |       |      |       |      |      |      |       |      |      |      |       |      |      |      |       |      |      |      |      |      |      |      |      |      |      |     |      |      |      |     |      |      |      |     |      |      |      |     |      |     |      |
| 7.4           | 913        | 188.40   | 1.55                   |             |         | 8.3           | 806        | 166.47   | 1.75                   |             |         | 9.8      | 689   | 142.27 | 2.0  |         |       | 11       | 632  | 130.42  | 2.2   |        |       | 12       | 554   |        |       | 114.45 | 2.5   | 13     | 525   | 108.46 | 2.7   | 8.1    | 828   | 170.85 | 0.93  | F 67   | 4     | 41       | 165   | 34.04  | 2.3   |        |       | 8.6      | 786   | 162.31 | 0.98  | 9.8    | 690   | 142.40   | 1.12  | 12     | 585   | 120.79 | 1.32  |          |       | 13     | 528   |        |       | 109.04   | 1.46  |        |       |          |       | 14     | 465   | 95.94  | 1.66  | 15       | 439   | 90.59  | 1.76  | 18     | 378   | 77.97    | 2.0   | 21       | 320  | 66.13  | 2.4  | 23     | 289   | 59.70  | 2.7  | 11     | 616   |        |       | 127.27 | 0.91  | F 57   | 4     | 48     | 139   |        |       |          |       | 28.67  | 2.7   | 13     | 533   | 110.01   | 1.06 | 15     | 453   | 93.47  | 1.25  |          |      | 17       | 404  |        |       | 83.46  | 1.40  | 11       | 616   | 127.27 | 0.91  | F 107R77 | 4     | 30     | 228   |          |       | 47.02  | 0.83  | 13     | 533   | 110.01 | 1.06  | 15     | 453   | 93.47  | 1.25  | 17     | 404   | 83.46  | 1.40  |          |       | 0.50   | 18539 |          |       | 2776   | 0.91  | 0.58   | 16208 | 2427   | 1.04  |          |       |          |       | 0.64   | 14592 | 2185   | 1.16  | 0.72   | 12982 | 1944   | 1.30  | 0.84   | 11179 | 1674   | 1.51  | 1.1    | 8735  | 1308   | 1.94 |          |      | 1.2    | 7807  | 1169   | 2.2  | 1.5    | 6364  | 953    | 2.7   |          |       | 1.7    | 5643  | 845    | 3.0   | 3.1   | 2978  | 446    | 5.7   | 4.7    | 2010  | 301    | 8.4   | 0.68   | 13717 | 2054   | 0.82  | 0.78   | 12007 | 1798   | 0.94  | 0.86   | 10812 | 1619     | 1.04  | 1.0      | 9356 | 1401     | 1.21 | 1.1      | 8214 | 1230   | 1.37 | 1.3    | 7246  | 1085   | 1.56 | 1.1      | 8301  | 1243   | 0.89  | 1.3    | 7259  | 1087   | 1.02  | 1.5    | 6344  | 950    | 1.16  | 1.7    | 5570  | 834    | 1.32  | 1.9    | 4915  | 736    | 1.50  | 2.2    | 4274  | 640      | 1.72 |       |       |          |      |        |       |        |       |        |       |        |       |        |       |        |       |          |       |          |       |        |      |       |       |        |      |        |       |        |      |          |      |        |       |          |       |        |       |        |       |        |       |        |       |       |       |       |       |        |       |          |       |          |       |          |       |        |       |          |      |        |       |        |       |       |       |        |       |          |       |       |       |       |       |      |       |        |       |      |       |       |       |      |       |       |       |      |       |      |       |      |       |      |      |      |       |      |       |      |       |      |       |      |       |      |       |      |       |      |       |      |      |      |       |      |       |      |       |      |       |      |       |      |       |      |       |      |       |      |      |      |       |      |      |      |       |      |      |      |       |      |      |      |      |      |      |      |      |      |      |     |      |      |      |     |      |      |      |     |      |      |      |     |      |     |      |
| 8.3           | 806        | 166.47   | 1.75                   |             |         | 9.8           | 689        | 142.27   | 2.0                    |             |         | 11       | 632   | 130.42 | 2.2  |         |       | 12       | 554  | 114.45  | 2.5   |        |       | 13       | 525   |        |       | 108.46 | 2.7   | 8.1    | 828   | 170.85 | 0.93  | F 67   | 4     | 41     | 165   |        |       | 34.04    | 2.3   | 8.6    | 786   |        |       | 162.31   | 0.98  | 9.8    | 690   | 142.40 | 1.12  | 12       | 585   | 120.79 | 1.32  | 13     | 528   |          |       | 109.04 | 1.46  |        |       | 14       | 465   |        |       |          |       | 95.94  | 1.66  | 15     | 439   | 90.59    | 1.76  | 18     | 378   | 77.97  | 2.0   | 21       | 320   | 66.13    | 2.4  | 23     | 289  | 59.70  | 2.7   | 11     | 616  | 127.27 | 0.91  |        |       | F 57   | 4     |        |       | 48     | 139   | 28.67  | 2.7   |          |       | 13     | 533   | 110.01 | 1.06  | 15       | 453  | 93.47  | 1.25  | 17     | 404   |          |      | 83.46    | 1.40 | 11     | 616   | 127.27 | 0.91  | F 107R77 | 4     | 30     | 228   |          |       | 47.02  | 0.83  |          |       | 13     | 533   | 110.01 | 1.06  | 15     | 453   | 93.47  | 1.25  | 17     | 404   | 83.46  | 1.40  | 0.50   | 18539 |          |       | 2776   | 0.91  |          |       | 0.58   | 16208 | 2427   | 1.04  | 0.64   | 14592 |          |       |          |       | 2185   | 1.16  | 0.72   | 12982 | 1944   | 1.30  | 0.84   | 11179 | 1674   | 1.51  | 1.1    | 8735  | 1308   | 1.94  | 1.2    | 7807 |          |      | 1169   | 2.2   | 1.5    | 6364 | 953    | 2.7   | 1.7    | 5643  | 845      | 3.0   | 3.1    | 2978  | 446    | 5.7   | 4.7   | 2010  | 301    | 8.4   | 0.68   | 13717 | 2054   | 0.82  | 0.78   | 12007 | 1798   | 0.94  | 0.86   | 10812 | 1619   | 1.04  | 1.0    | 9356  | 1401     | 1.21  | 1.1      | 8214 | 1230     | 1.37 | 1.3      | 7246 | 1085   | 1.56 | 1.1    | 8301  | 1243   | 0.89 | 1.3      | 7259  | 1087   | 1.02  | 1.5    | 6344  | 950    | 1.16  | 1.7    | 5570  | 834    | 1.32  | 1.9    | 4915  | 736    | 1.50  | 2.2    | 4274  | 640    | 1.72  |        |       |          |      |       |       |          |      |        |       |        |       |        |       |        |       |        |       |        |       |          |       |          |       |        |      |       |       |        |      |        |       |        |      |          |      |        |       |          |       |        |       |        |       |        |       |        |       |       |       |       |       |        |       |          |       |          |       |          |       |        |       |          |      |        |       |        |       |       |       |        |       |          |       |       |       |       |       |      |       |        |       |      |       |       |       |      |       |       |       |      |       |      |       |      |       |      |      |      |       |      |       |      |       |      |       |      |       |      |       |      |       |      |       |      |      |      |       |      |       |      |       |      |       |      |       |      |       |      |       |      |       |      |      |      |       |      |      |      |       |      |      |      |       |      |      |      |      |      |      |      |      |      |      |     |      |      |      |     |      |      |      |     |      |      |      |     |      |     |      |
| 9.8           | 689        | 142.27   | 2.0                    |             |         | 11            | 632        | 130.42   | 2.2                    |             |         | 12       | 554   | 114.45 | 2.5  |         |       | 13       | 525  | 108.46  | 2.7   |        |       | 8.1      | 828   | 170.85 | 0.93  | F 67   | 4     | 41     | 165   | 34.04  | 2.3   |        |       | 8.6    | 786   |        |       | 162.31   | 0.98  | 9.8    | 690   |        |       | 142.40   | 1.12  | 12     | 585   | 120.79 | 1.32  | 13       | 528   | 109.04 | 1.46  | 14     | 465   |          |       | 95.94  | 1.66  |        |       | 15       | 439   |        |       |          |       | 90.59  | 1.76  | 18     | 378   | 77.97    | 2.0   | 21     | 320   | 66.13  | 2.4   | 23       | 289   | 59.70    | 2.7  | 11     | 616  | 127.27 | 0.91  | F 57   | 4    | 48     | 139   | 28.67  | 2.7   |        |       |        |       | 13     | 533   | 110.01 | 1.06  |          |       | 15     | 453   | 93.47  | 1.25  | 17       | 404  | 83.46  | 1.40  | 11     | 616   | 127.27   | 0.91 | F 107R77 | 4    | 30     | 228   | 47.02  | 0.83  |          |       | 13     | 533   |          |       | 110.01 | 1.06  |          |       | 15     | 453   | 93.47  | 1.25  | 17     | 404   | 83.46  | 1.40  | 0.50   | 18539 | 2776   | 0.91  | 0.58   | 16208 |          |       | 2427   | 1.04  |          |       | 0.64   | 14592 | 2185   | 1.16  | 0.72   | 12982 |          |       |          |       | 1944   | 1.30  | 0.84   | 11179 | 1674   | 1.51  | 1.1    | 8735  | 1308   | 1.94  | 1.2    | 7807  | 1169   | 2.2   | 1.5    | 6364 | 953      | 2.7  | 1.7    | 5643  | 845    | 3.0  | 3.1    | 2978  | 446    | 5.7   | 4.7      | 2010  | 301    | 8.4   | 0.68   | 13717 | 2054  | 0.82  | 0.78   | 12007 | 1798   | 0.94  | 0.86   | 10812 | 1619   | 1.04  | 1.0    | 9356  | 1401   | 1.21  | 1.1    | 8214  | 1230   | 1.37  | 1.3      | 7246  | 1085     | 1.56 | 1.1      | 8301 | 1243     | 0.89 | 1.3    | 7259 | 1087   | 1.02  | 1.5    | 6344 | 950      | 1.16  | 1.7    | 5570  | 834    | 1.32  | 1.9    | 4915  | 736    | 1.50  | 2.2    | 4274  | 640    | 1.72  |        |       |        |       |        |       |        |       |          |      |       |       |          |      |        |       |        |       |        |       |        |       |        |       |        |       |          |       |          |       |        |      |       |       |        |      |        |       |        |      |          |      |        |       |          |       |        |       |        |       |        |       |        |       |       |       |       |       |        |       |          |       |          |       |          |       |        |       |          |      |        |       |        |       |       |       |        |       |          |       |       |       |       |       |      |       |        |       |      |       |       |       |      |       |       |       |      |       |      |       |      |       |      |      |      |       |      |       |      |       |      |       |      |       |      |       |      |       |      |       |      |      |      |       |      |       |      |       |      |       |      |       |      |       |      |       |      |       |      |      |      |       |      |      |      |       |      |      |      |       |      |      |      |      |      |      |      |      |      |      |     |      |      |      |     |      |      |      |     |      |      |      |     |      |     |      |
| 11            | 632        | 130.42   | 2.2                    |             |         | 12            | 554        | 114.45   | 2.5                    |             |         | 13       | 525   | 108.46 | 2.7  |         |       | 8.1      | 828  | 170.85  | 0.93  | F 67   | 4     | 41       | 165   | 34.04  | 2.3   |        |       | 8.6    | 786   | 162.31 | 0.98  |        |       | 9.8    | 690   |        |       | 142.40   | 1.12  | 12     | 585   |        |       | 120.79   | 1.32  | 13     | 528   | 109.04 | 1.46  | 14       | 465   | 95.94  | 1.66  | 15     | 439   |          |       | 90.59  | 1.76  |        |       | 18       | 378   |        |       |          |       | 77.97  | 2.0   | 21     | 320   | 66.13    | 2.4   | 23     | 289   | 59.70  | 2.7   | 11       | 616   | 127.27   | 0.91 | F 57   | 4    | 48     | 139   |        |      | 28.67  | 2.7   | 13     | 533   |        |       |        |       | 110.01 | 1.06  | 15     | 453   |          |       | 93.47  | 1.25  | 17     | 404   | 83.46    | 1.40 | 11     | 616   | 127.27 | 0.91  | F 107R77 | 4    |          |      | 30     | 228   | 47.02  | 0.83  |          |       | 13     | 533   |          |       | 110.01 | 1.06  |          |       | 15     | 453   | 93.47  | 1.25  | 17     | 404   | 83.46  | 1.40  | 0.50   | 18539 | 2776   | 0.91  | 0.58   | 16208 |          |       | 2427   | 1.04  |          |       | 0.64   | 14592 | 2185   | 1.16  | 0.72   | 12982 |          |       |          |       | 1944   | 1.30  | 0.84   | 11179 | 1674   | 1.51  | 1.1    | 8735  | 1308   | 1.94  | 1.2    | 7807  | 1169   | 2.2   | 1.5    | 6364 | 953      | 2.7  | 1.7    | 5643  | 845    | 3.0  | 3.1    | 2978  | 446    | 5.7   | 4.7      | 2010  | 301    | 8.4   | 0.68   | 13717 | 2054  | 0.82  | 0.78   | 12007 | 1798   | 0.94  | 0.86   | 10812 | 1619   | 1.04  | 1.0    | 9356  | 1401   | 1.21  | 1.1    | 8214  | 1230   | 1.37  | 1.3      | 7246  | 1085     | 1.56 | 1.1      | 8301 | 1243     | 0.89 | 1.3    | 7259 | 1087   | 1.02  | 1.5    | 6344 | 950      | 1.16  | 1.7    | 5570  | 834    | 1.32  | 1.9    | 4915  | 736    | 1.50  | 2.2    | 4274  | 640    | 1.72  |        |       |        |       |        |       |        |       |          |      |       |       |          |      |        |       |        |       |        |       |        |       |        |       |        |       |          |       |          |       |        |      |       |       |        |      |        |       |        |      |          |      |        |       |          |       |        |       |        |       |        |       |        |       |       |       |       |       |        |       |          |       |          |       |          |       |        |       |          |      |        |       |        |       |       |       |        |       |          |       |       |       |       |       |      |       |        |       |      |       |       |       |      |       |       |       |      |       |      |       |      |       |      |      |      |       |      |       |      |       |      |       |      |       |      |       |      |       |      |       |      |      |      |       |      |       |      |       |      |       |      |       |      |       |      |       |      |       |      |      |      |       |      |      |      |       |      |      |      |       |      |      |      |      |      |      |      |      |      |      |     |      |      |      |     |      |      |      |     |      |      |      |     |      |     |      |
| 12            | 554        | 114.45   | 2.5                    |             |         | 13            | 525        | 108.46   | 2.7                    |             |         | 8.1      | 828   | 170.85 | 0.93 | F 67    | 4     | 41       | 165  | 34.04   | 2.3   |        |       | 8.6      | 786   | 162.31 | 0.98  |        |       | 9.8    | 690   | 142.40 | 1.12  |        |       | 12     | 585   |        |       | 120.79   | 1.32  | 13     | 528   |        |       | 109.04   | 1.46  | 14     | 465   | 95.94  | 1.66  | 15       | 439   | 90.59  | 1.76  | 18     | 378   |          |       | 77.97  | 2.0   |        |       | 21       | 320   |        |       | 66.13    | 2.4   | 23     | 289   | 59.70  | 2.7   | 11       | 616   | 127.27 | 0.91  | F 57   | 4     | 48       | 139   | 28.67    | 2.7  |        |      | 13     | 533   |        |      | 110.01 | 1.06  | 15     | 453   |        |       |        |       | 93.47  | 1.25  | 17     | 404   | 83.46    | 1.40  | 11     | 616   | 127.27 | 0.91  | F 107R77 | 4    | 30     | 228   | 47.02  | 0.83  |          |      |          |      | 13     | 533   | 110.01 | 1.06  |          |       | 15     | 453   |          |       | 93.47  | 1.25  |          |       | 17     | 404   | 83.46  | 1.40  | 0.50   | 18539 | 2776   | 0.91  | 0.58   | 16208 | 2427   | 1.04  | 0.64   | 14592 |          |       | 2185   | 1.16  |          |       | 0.72   | 12982 | 1944   | 1.30  | 0.84   | 11179 |          |       | 1674     | 1.51  | 1.1    | 8735  | 1308   | 1.94  | 1.2    | 7807  | 1169   | 2.2   | 1.5    | 6364  | 953    | 2.7   | 1.7    | 5643  | 845    | 3.0  | 3.1      | 2978 | 446    | 5.7   | 4.7    | 2010 | 301    | 8.4   | 0.68   | 13717 | 2054     | 0.82  | 0.78   | 12007 | 1798   | 0.94  | 0.86  | 10812 | 1619   | 1.04  | 1.0    | 9356  | 1401   | 1.21  | 1.1    | 8214  | 1230   | 1.37  | 1.3    | 7246  | 1085   | 1.56  | 1.1    | 8301  | 1243     | 0.89  | 1.3      | 7259 | 1087     | 1.02 | 1.5      | 6344 | 950    | 1.16 | 1.7    | 5570  | 834    | 1.32 | 1.9      | 4915  | 736    | 1.50  | 2.2    | 4274  | 640    | 1.72  |        |       |        |       |        |       |        |       |        |       |        |       |        |       |          |      |       |       |          |      |        |       |        |       |        |       |        |       |        |       |        |       |          |       |          |       |        |      |       |       |        |      |        |       |        |      |          |      |        |       |          |       |        |       |        |       |        |       |        |       |       |       |       |       |        |       |          |       |          |       |          |       |        |       |          |      |        |       |        |       |       |       |        |       |          |       |       |       |       |       |      |       |        |       |      |       |       |       |      |       |       |       |      |       |      |       |      |       |      |      |      |       |      |       |      |       |      |       |      |       |      |       |      |       |      |       |      |      |      |       |      |       |      |       |      |       |      |       |      |       |      |       |      |       |      |      |      |       |      |      |      |       |      |      |      |       |      |      |      |      |      |      |      |      |      |      |     |      |      |      |     |      |      |      |     |      |      |      |     |      |     |      |
| 13            | 525        | 108.46   | 2.7                    |             |         | 8.1           | 828        | 170.85   | 0.93                   | F 67        | 4       | 41       | 165   | 34.04  | 2.3  |         |       | 8.6      | 786  | 162.31  | 0.98  |        |       | 9.8      | 690   | 142.40 | 1.12  |        |       | 12     | 585   | 120.79 | 1.32  |        |       | 13     | 528   |        |       | 109.04   | 1.46  | 14     | 465   |        |       | 95.94    | 1.66  | 15     | 439   | 90.59  | 1.76  | 18       | 378   | 77.97  | 2.0   | 21     | 320   |          |       | 66.13  | 2.4   |        |       | 23       | 289   | 59.70  | 2.7   | 11       | 616   | 127.27 | 0.91  | F 57   | 4     | 48       | 139   | 28.67  | 2.7   |        |       | 13       | 533   | 110.01   | 1.06 |        |      | 15     | 453   |        |      | 93.47  | 1.25  | 17     | 404   |        |       | 83.46  | 1.40  | 11     | 616   | 127.27 | 0.91  | F 107R77 | 4     | 30     | 228   | 47.02  | 0.83  |          |      | 13     | 533   | 110.01 | 1.06  |          |      |          |      | 15     | 453   | 93.47  | 1.25  |          |       | 17     | 404   |          |       | 83.46  | 1.40  |          |       | 0.50   | 18539 | 2776   | 0.91  | 0.58   | 16208 | 2427   | 1.04  | 0.64   | 14592 | 2185   | 1.16  | 0.72   | 12982 |          |       | 1944   | 1.30  |          |       | 0.84   | 11179 | 1674   | 1.51  | 1.1    | 8735  | 1308     | 1.94  | 1.2      | 7807  | 1169   | 2.2   | 1.5    | 6364  | 953    | 2.7   | 1.7    | 5643  | 845    | 3.0   | 3.1    | 2978  | 446    | 5.7   | 4.7    | 2010 | 301      | 8.4  | 0.68   | 13717 | 2054   | 0.82 | 0.78   | 12007 | 1798   | 0.94  | 0.86     | 10812 | 1619   | 1.04  | 1.0    | 9356  | 1401  | 1.21  | 1.1    | 8214  | 1230   | 1.37  | 1.3    | 7246  | 1085   | 1.56  | 1.1    | 8301  | 1243   | 0.89  | 1.3    | 7259  | 1087   | 1.02  | 1.5      | 6344  | 950      | 1.16 | 1.7      | 5570 | 834      | 1.32 | 1.9    | 4915 | 736    | 1.50  | 2.2    | 4274 | 640      | 1.72  |        |       |        |       |        |       |        |       |        |       |        |       |        |       |        |       |        |       |        |       |          |      |       |       |          |      |        |       |        |       |        |       |        |       |        |       |        |       |          |       |          |       |        |      |       |       |        |      |        |       |        |      |          |      |        |       |          |       |        |       |        |       |        |       |        |       |       |       |       |       |        |       |          |       |          |       |          |       |        |       |          |      |        |       |        |       |       |       |        |       |          |       |       |       |       |       |      |       |        |       |      |       |       |       |      |       |       |       |      |       |      |       |      |       |      |      |      |       |      |       |      |       |      |       |      |       |      |       |      |       |      |       |      |      |      |       |      |       |      |       |      |       |      |       |      |       |      |       |      |       |      |      |      |       |      |      |      |       |      |      |      |       |      |      |      |      |      |      |      |      |      |      |     |      |      |      |     |      |      |      |     |      |      |      |     |      |     |      |
| 8.1           | 828        | 170.85   | 0.93                   | F 67        | 4       | 41            | 165        | 34.04    | 2.3                    |             |         |          |       |        |      |         |       |          |      |         |       |        |       |          |       |        |       |        |       |        |       |        |       |        |       |        |       |        |       |          |       |        |       |        |       |          |       |        |       |        |       |          |       |        |       |        |       |          |       |        |       |        |       |          |       |        |       |          |       |        |       |        |       |          |       |        |       |        |       |          |       |          |      |        |      |        |       |        |      |        |       |        |       |        |       |        |       |        |       |        |       |          |       |        |       |        |       |          |      |        |       |        |       |          |      |          |      |        |       |        |       |          |       |        |       |          |       |        |       |          |       |        |       |        |       |        |       |        |       |        |       |        |       |        |       |          |       |        |       |          |       |        |       |        |       |        |       |          |       |          |       |        |       |        |       |        |       |        |       |        |       |        |       |        |       |        |      |          |      |        |       |        |      |        |       |        |       |          |       |        |       |        |       |       |       |        |       |        |       |        |       |        |       |        |       |        |       |        |       |        |       |          |       |          |      |          |      |          |      |        |      |        |       |        |      |          |       |        |       |        |       |        |       |        |       |        |       |        |       |        |       |        |       |        |       |        |       |          |      |       |       |          |      |        |       |        |       |        |       |        |       |        |       |        |       |          |       |          |       |        |      |       |       |        |      |        |       |        |      |          |      |        |       |          |       |        |       |        |       |        |       |        |       |       |       |       |       |        |       |          |       |          |       |          |       |        |       |          |      |        |       |        |       |       |       |        |       |          |       |       |       |       |       |      |       |        |       |      |       |       |       |      |       |       |       |      |       |      |       |      |       |      |      |      |       |      |       |      |       |      |       |      |       |      |       |      |       |      |       |      |      |      |       |      |       |      |       |      |       |      |       |      |       |      |       |      |       |      |      |      |       |      |      |      |       |      |      |      |       |      |      |      |      |      |      |      |      |      |      |     |      |      |      |     |      |      |      |     |      |      |      |     |      |     |      |
| 8.6           | 786        | 162.31   | 0.98                   |             |         | 9.8           | 690        | 142.40   | 1.12                   |             |         | 12       | 585   | 120.79 | 1.32 |         |       | 13       | 528  | 109.04  | 1.46  |        |       | 14       | 465   | 95.94  | 1.66  |        |       | 15     | 439   | 90.59  | 1.76  |        |       | 18     | 378   |        |       | 77.97    | 2.0   | 21     | 320   |        |       | 66.13    | 2.4   | 23     | 289   | 59.70  | 2.7   | 11       | 616   | 127.27 | 0.91  | F 57   | 4     | 48       | 139   | 28.67  | 2.7   | 13     | 533   | 110.01   | 1.06  | 15     | 453   | 93.47    | 1.25  | 17     | 404   |        |       | 83.46    | 1.40  | 11     | 616   |        |       | 127.27   | 0.91  | F 107R77 | 4    |        |      | 30     | 228   | 47.02  | 0.83 | 13     | 533   | 110.01 | 1.06  | 15     | 453   | 93.47  | 1.25  | 17     | 404   | 83.46  | 1.40  |          |       | 0.50   | 18539 | 2776   | 0.91  |          |      | 0.58   | 16208 | 2427   | 1.04  |          |      |          |      | 0.64   | 14592 | 2185   | 1.16  |          |       | 0.72   | 12982 |          |       | 1944   | 1.30  |          |       | 0.84   | 11179 | 1674   | 1.51  | 1.1    | 8735  | 1308   | 1.94  | 1.2    | 7807  | 1169   | 2.2   | 1.5    | 6364  | 953      | 2.7   | 1.7    | 5643  | 845      | 3.0   | 3.1    | 2978  | 446    | 5.7   | 4.7    | 2010  | 301      | 8.4   | 0.68     | 13717 | 2054   | 0.82  | 0.78   | 12007 | 1798   | 0.94  | 0.86   | 10812 | 1619   | 1.04  | 1.0    | 9356  | 1401   | 1.21  | 1.1    | 8214 | 1230     | 1.37 | 1.3    | 7246  | 1085   | 1.56 | 1.1    | 8301  | 1243   | 0.89  | 1.3      | 7259  | 1087   | 1.02  | 1.5    | 6344  | 950   | 1.16  | 1.7    | 5570  | 834    | 1.32  | 1.9    | 4915  | 736    | 1.50  | 2.2    | 4274  | 640    | 1.72  |        |       |        |       |          |       |          |      |          |      |          |      |        |      |        |       |        |      |          |       |        |       |        |       |        |       |        |       |        |       |        |       |        |       |        |       |        |       |        |       |          |      |       |       |          |      |        |       |        |       |        |       |        |       |        |       |        |       |          |       |          |       |        |      |       |       |        |      |        |       |        |      |          |      |        |       |          |       |        |       |        |       |        |       |        |       |       |       |       |       |        |       |          |       |          |       |          |       |        |       |          |      |        |       |        |       |       |       |        |       |          |       |       |       |       |       |      |       |        |       |      |       |       |       |      |       |       |       |      |       |      |       |      |       |      |      |      |       |      |       |      |       |      |       |      |       |      |       |      |       |      |       |      |      |      |       |      |       |      |       |      |       |      |       |      |       |      |       |      |       |      |      |      |       |      |      |      |       |      |      |      |       |      |      |      |      |      |      |      |      |      |      |     |      |      |      |     |      |      |      |     |      |      |      |     |      |     |      |
| 9.8           | 690        | 142.40   | 1.12                   |             |         | 12            | 585        | 120.79   | 1.32                   |             |         | 13       | 528   | 109.04 | 1.46 |         |       | 14       | 465  | 95.94   | 1.66  |        |       | 15       | 439   | 90.59  | 1.76  |        |       | 18     | 378   | 77.97  | 2.0   |        |       | 21     | 320   |        |       | 66.13    | 2.4   | 23     | 289   |        |       | 59.70    | 2.7   | 11     | 616   | 127.27 | 0.91  | F 57     | 4     | 48     | 139   |        |       | 28.67    | 2.7   | 13     | 533   | 110.01 | 1.06  | 15       | 453   | 93.47  | 1.25  | 17       | 404   | 83.46  | 1.40  |        |       | 11       | 616   | 127.27 | 0.91  |        |       | F 107R77 | 4     |          |      | 30     | 228  | 47.02  | 0.83  | 13     | 533  | 110.01 | 1.06  | 15     | 453   | 93.47  | 1.25  | 17     | 404   | 83.46  | 1.40  | 0.50   | 18539 |          |       | 2776   | 0.91  | 0.58   | 16208 |          |      | 2427   | 1.04  | 0.64   | 14592 |          |      |          |      | 2185   | 1.16  | 0.72   | 12982 |          |       | 1944   | 1.30  |          |       | 0.84   | 11179 |          |       | 1674   | 1.51  | 1.1    | 8735  | 1308   | 1.94  | 1.2    | 7807  | 1169   | 2.2   | 1.5    | 6364  | 953    | 2.7   | 1.7      | 5643  | 845    | 3.0   | 3.1      | 2978  | 446    | 5.7   | 4.7    | 2010  | 301    | 8.4   | 0.68     | 13717 | 2054     | 0.82  | 0.78   | 12007 | 1798   | 0.94  | 0.86   | 10812 | 1619   | 1.04  | 1.0    | 9356  | 1401   | 1.21  | 1.1    | 8214  | 1230   | 1.37 | 1.3      | 7246 | 1085   | 1.56  | 1.1    | 8301 | 1243   | 0.89  | 1.3    | 7259  | 1087     | 1.02  | 1.5    | 6344  | 950    | 1.16  | 1.7   | 5570  | 834    | 1.32  | 1.9    | 4915  | 736    | 1.50  | 2.2    | 4274  | 640    | 1.72  |        |       |        |       |        |       |          |       |          |      |          |      |          |      |        |      |        |       |        |      |          |       |        |       |        |       |        |       |        |       |        |       |        |       |        |       |        |       |        |       |        |       |          |      |       |       |          |      |        |       |        |       |        |       |        |       |        |       |        |       |          |       |          |       |        |      |       |       |        |      |        |       |        |      |          |      |        |       |          |       |        |       |        |       |        |       |        |       |       |       |       |       |        |       |          |       |          |       |          |       |        |       |          |      |        |       |        |       |       |       |        |       |          |       |       |       |       |       |      |       |        |       |      |       |       |       |      |       |       |       |      |       |      |       |      |       |      |      |      |       |      |       |      |       |      |       |      |       |      |       |      |       |      |       |      |      |      |       |      |       |      |       |      |       |      |       |      |       |      |       |      |       |      |      |      |       |      |      |      |       |      |      |      |       |      |      |      |      |      |      |      |      |      |      |     |      |      |      |     |      |      |      |     |      |      |      |     |      |     |      |
| 12            | 585        | 120.79   | 1.32                   |             |         | 13            | 528        | 109.04   | 1.46                   |             |         | 14       | 465   | 95.94  | 1.66 |         |       | 15       | 439  | 90.59   | 1.76  |        |       | 18       | 378   | 77.97  | 2.0   |        |       | 21     | 320   | 66.13  | 2.4   |        |       | 23     | 289   |        |       | 59.70    | 2.7   | 11     | 616   | 127.27 | 0.91  | F 57     | 4     | 48     | 139   | 28.67  | 2.7   |          |       | 13     | 533   |        |       | 110.01   | 1.06  | 15     | 453   | 93.47  | 1.25  | 17       | 404   | 83.46  | 1.40  | 11       | 616   | 127.27 | 0.91  |        |       | F 107R77 | 4     | 30     | 228   | 47.02  | 0.83  |          |       |          |      | 13     | 533  | 110.01 | 1.06  | 15     | 453  | 93.47  | 1.25  | 17     | 404   | 83.46  | 1.40  | 0.50   | 18539 | 2776   | 0.91  | 0.58   | 16208 |          |       | 2427   | 1.04  | 0.64   | 14592 |          |      | 2185   | 1.16  | 0.72   | 12982 |          |      |          |      | 1944   | 1.30  | 0.84   | 11179 |          |       | 1674   | 1.51  |          |       | 1.1    | 8735  | 1308     | 1.94  | 1.2    | 7807  | 1169   | 2.2   | 1.5    | 6364  | 953    | 2.7   | 1.7    | 5643  | 845    | 3.0   | 3.1    | 2978  | 446      | 5.7   | 4.7    | 2010  | 301      | 8.4   | 0.68   | 13717 | 2054   | 0.82  | 0.78   | 12007 | 1798     | 0.94  | 0.86     | 10812 | 1619   | 1.04  | 1.0    | 9356  | 1401   | 1.21  | 1.1    | 8214  | 1230   | 1.37  | 1.3    | 7246  | 1085   | 1.56  | 1.1    | 8301 | 1243     | 0.89 | 1.3    | 7259  | 1087   | 1.02 | 1.5    | 6344  | 950    | 1.16  | 1.7      | 5570  | 834    | 1.32  | 1.9    | 4915  | 736   | 1.50  | 2.2    | 4274  | 640    | 1.72  |        |       |        |       |        |       |        |       |        |       |        |       |          |       |          |      |          |      |          |      |        |      |        |       |        |      |          |       |        |       |        |       |        |       |        |       |        |       |        |       |        |       |        |       |        |       |        |       |          |      |       |       |          |      |        |       |        |       |        |       |        |       |        |       |        |       |          |       |          |       |        |      |       |       |        |      |        |       |        |      |          |      |        |       |          |       |        |       |        |       |        |       |        |       |       |       |       |       |        |       |          |       |          |       |          |       |        |       |          |      |        |       |        |       |       |       |        |       |          |       |       |       |       |       |      |       |        |       |      |       |       |       |      |       |       |       |      |       |      |       |      |       |      |      |      |       |      |       |      |       |      |       |      |       |      |       |      |       |      |       |      |      |      |       |      |       |      |       |      |       |      |       |      |       |      |       |      |       |      |      |      |       |      |      |      |       |      |      |      |       |      |      |      |      |      |      |      |      |      |      |     |      |      |      |     |      |      |      |     |      |      |      |     |      |     |      |
| 13            | 528        | 109.04   | 1.46                   |             |         | 14            | 465        | 95.94    | 1.66                   |             |         | 15       | 439   | 90.59  | 1.76 |         |       | 18       | 378  | 77.97   | 2.0   |        |       | 21       | 320   | 66.13  | 2.4   |        |       | 23     | 289   | 59.70  | 2.7   |        |       | 11     | 616   | 127.27 | 0.91  | F 57     | 4     | 48     | 139   | 28.67  | 2.7   |          |       | 13     | 533   | 110.01 | 1.06  |          |       | 15     | 453   |        |       | 93.47    | 1.25  | 17     | 404   | 83.46  | 1.40  | 11       | 616   | 127.27 | 0.91  | F 107R77 | 4     | 30     | 228   | 47.02  | 0.83  |          |       | 13     | 533   | 110.01 | 1.06  |          |       |          |      | 15     | 453  | 93.47  | 1.25  | 17     | 404  | 83.46  | 1.40  | 0.50   | 18539 | 2776   | 0.91  | 0.58   | 16208 | 2427   | 1.04  | 0.64   | 14592 |          |       | 2185   | 1.16  | 0.72   | 12982 |          |      | 1944   | 1.30  | 0.84   | 11179 |          |      |          |      | 1674   | 1.51  | 1.1    | 8735  |          |       | 1308   | 1.94  | 1.2      | 7807  | 1169   | 2.2   | 1.5      | 6364  | 953    | 2.7   | 1.7    | 5643  | 845    | 3.0   | 3.1    | 2978  | 446    | 5.7   | 4.7    | 2010  | 301    | 8.4   | 0.68     | 13717 | 2054   | 0.82  | 0.78     | 12007 | 1798   | 0.94  | 0.86   | 10812 | 1619   | 1.04  | 1.0      | 9356  | 1401     | 1.21  | 1.1    | 8214  | 1230   | 1.37  | 1.3    | 7246  | 1085   | 1.56  | 1.1    | 8301  | 1243   | 0.89  | 1.3    | 7259  | 1087   | 1.02 | 1.5      | 6344 | 950    | 1.16  | 1.7    | 5570 | 834    | 1.32  | 1.9    | 4915  | 736      | 1.50  | 2.2    | 4274  | 640    | 1.72  |       |       |        |       |        |       |        |       |        |       |        |       |        |       |        |       |        |       |          |       |          |      |          |      |          |      |        |      |        |       |        |      |          |       |        |       |        |       |        |       |        |       |        |       |        |       |        |       |        |       |        |       |        |       |          |      |       |       |          |      |        |       |        |       |        |       |        |       |        |       |        |       |          |       |          |       |        |      |       |       |        |      |        |       |        |      |          |      |        |       |          |       |        |       |        |       |        |       |        |       |       |       |       |       |        |       |          |       |          |       |          |       |        |       |          |      |        |       |        |       |       |       |        |       |          |       |       |       |       |       |      |       |        |       |      |       |       |       |      |       |       |       |      |       |      |       |      |       |      |      |      |       |      |       |      |       |      |       |      |       |      |       |      |       |      |       |      |      |      |       |      |       |      |       |      |       |      |       |      |       |      |       |      |       |      |      |      |       |      |      |      |       |      |      |      |       |      |      |      |      |      |      |      |      |      |      |     |      |      |      |     |      |      |      |     |      |      |      |     |      |     |      |
| 14            | 465        | 95.94    | 1.66                   |             |         | 15            | 439        | 90.59    | 1.76                   |             |         | 18       | 378   | 77.97  | 2.0  |         |       | 21       | 320  | 66.13   | 2.4   |        |       | 23       | 289   | 59.70  | 2.7   |        |       | 11     | 616   | 127.27 | 0.91  | F 57   | 4     | 48     | 139   | 28.67  | 2.7   |          |       | 13     | 533   | 110.01 | 1.06  |          |       | 15     | 453   | 93.47  | 1.25  |          |       | 17     | 404   |        |       | 83.46    | 1.40  | 11     | 616   | 127.27 | 0.91  | F 107R77 | 4     | 30     | 228   |          |       | 47.02  | 0.83  | 13     | 533   |          |       | 110.01 | 1.06  | 15     | 453   |          |       |          |      | 93.47  | 1.25 | 17     | 404   | 83.46  | 1.40 | 0.50   | 18539 | 2776   | 0.91  | 0.58   | 16208 | 2427   | 1.04  | 0.64   | 14592 | 2185   | 1.16  |          |       | 0.72   | 12982 | 1944   | 1.30  |          |      | 0.84   | 11179 | 1674   | 1.51  |          |      |          |      | 1.1    | 8735  | 1308   | 1.94  | 1.2      | 7807  | 1169   | 2.2   | 1.5      | 6364  | 953    | 2.7   | 1.7      | 5643  | 845    | 3.0   | 3.1    | 2978  | 446    | 5.7   | 4.7    | 2010  | 301    | 8.4   | 0.68   | 13717 | 2054   | 0.82  | 0.78     | 12007 | 1798   | 0.94  | 0.86     | 10812 | 1619   | 1.04  | 1.0    | 9356  | 1401   | 1.21  | 1.1      | 8214  | 1230     | 1.37  | 1.3    | 7246  | 1085   | 1.56  | 1.1    | 8301  | 1243   | 0.89  | 1.3    | 7259  | 1087   | 1.02  | 1.5    | 6344  | 950    | 1.16 | 1.7      | 5570 | 834    | 1.32  | 1.9    | 4915 | 736    | 1.50  | 2.2    | 4274  | 640      | 1.72  |        |       |        |       |       |       |        |       |        |       |        |       |        |       |        |       |        |       |        |       |        |       |          |       |          |      |          |      |          |      |        |      |        |       |        |      |          |       |        |       |        |       |        |       |        |       |        |       |        |       |        |       |        |       |        |       |        |       |          |      |       |       |          |      |        |       |        |       |        |       |        |       |        |       |        |       |          |       |          |       |        |      |       |       |        |      |        |       |        |      |          |      |        |       |          |       |        |       |        |       |        |       |        |       |       |       |       |       |        |       |          |       |          |       |          |       |        |       |          |      |        |       |        |       |       |       |        |       |          |       |       |       |       |       |      |       |        |       |      |       |       |       |      |       |       |       |      |       |      |       |      |       |      |      |      |       |      |       |      |       |      |       |      |       |      |       |      |       |      |       |      |      |      |       |      |       |      |       |      |       |      |       |      |       |      |       |      |       |      |      |      |       |      |      |      |       |      |      |      |       |      |      |      |      |      |      |      |      |      |      |     |      |      |      |     |      |      |      |     |      |      |      |     |      |     |      |
| 15            | 439        | 90.59    | 1.76                   |             |         | 18            | 378        | 77.97    | 2.0                    |             |         | 21       | 320   | 66.13  | 2.4  |         |       | 23       | 289  | 59.70   | 2.7   |        |       | 11       | 616   | 127.27 | 0.91  | F 57   | 4     | 48     | 139   | 28.67  | 2.7   |        |       | 13     | 533   | 110.01 | 1.06  |          |       | 15     | 453   | 93.47  | 1.25  |          |       | 17     | 404   | 83.46  | 1.40  |          |       | 11     | 616   | 127.27 | 0.91  | F 107R77 | 4     | 30     | 228   | 47.02  | 0.83  |          |       | 13     | 533   |          |       | 110.01 | 1.06  | 15     | 453   |          |       | 93.47  | 1.25  | 17     | 404   |          |       |          |      | 83.46  | 1.40 | 0.50   | 18539 | 2776   | 0.91 | 0.58   | 16208 | 2427   | 1.04  | 0.64   | 14592 | 2185   | 1.16  | 0.72   | 12982 | 1944   | 1.30  |          |       | 0.84   | 11179 | 1674   | 1.51  |          |      | 1.1    | 8735  | 1308   | 1.94  |          |      | 1.2      | 7807 | 1169   | 2.2   | 1.5    | 6364  | 953      | 2.7   | 1.7    | 5643  | 845      | 3.0   | 3.1    | 2978  | 446      | 5.7   | 4.7    | 2010  | 301    | 8.4   | 0.68   | 13717 | 2054   | 0.82  | 0.78   | 12007 | 1798   | 0.94  | 0.86   | 10812 | 1619     | 1.04  | 1.0    | 9356  | 1401     | 1.21  | 1.1    | 8214  | 1230   | 1.37  | 1.3    | 7246  | 1085     | 1.56  | 1.1      | 8301  | 1243   | 0.89  | 1.3    | 7259  | 1087   | 1.02  | 1.5    | 6344  | 950    | 1.16  | 1.7    | 5570  | 834    | 1.32  | 1.9    | 4915 | 736      | 1.50 | 2.2    | 4274  | 640    | 1.72 |        |       |        |       |          |       |        |       |        |       |       |       |        |       |        |       |        |       |        |       |        |       |        |       |        |       |        |       |          |       |          |      |          |      |          |      |        |      |        |       |        |      |          |       |        |       |        |       |        |       |        |       |        |       |        |       |        |       |        |       |        |       |        |       |          |      |       |       |          |      |        |       |        |       |        |       |        |       |        |       |        |       |          |       |          |       |        |      |       |       |        |      |        |       |        |      |          |      |        |       |          |       |        |       |        |       |        |       |        |       |       |       |       |       |        |       |          |       |          |       |          |       |        |       |          |      |        |       |        |       |       |       |        |       |          |       |       |       |       |       |      |       |        |       |      |       |       |       |      |       |       |       |      |       |      |       |      |       |      |      |      |       |      |       |      |       |      |       |      |       |      |       |      |       |      |       |      |      |      |       |      |       |      |       |      |       |      |       |      |       |      |       |      |       |      |      |      |       |      |      |      |       |      |      |      |       |      |      |      |      |      |      |      |      |      |      |     |      |      |      |     |      |      |      |     |      |      |      |     |      |     |      |
| 18            | 378        | 77.97    | 2.0                    |             |         | 21            | 320        | 66.13    | 2.4                    |             |         | 23       | 289   | 59.70  | 2.7  |         |       | 11       | 616  | 127.27  | 0.91  | F 57   | 4     | 48       | 139   | 28.67  | 2.7   |        |       | 13     | 533   | 110.01 | 1.06  |        |       | 15     | 453   | 93.47  | 1.25  |          |       | 17     | 404   | 83.46  | 1.40  |          |       | 11     | 616   | 127.27 | 0.91  | F 107R77 | 4     | 30     | 228   | 47.02  | 0.83  |          |       | 13     | 533   | 110.01 | 1.06  |          |       | 15     | 453   |          |       | 93.47  | 1.25  | 17     | 404   |          |       | 83.46  | 1.40  | 0.50   | 18539 |          |       |          |      | 2776   | 0.91 | 0.58   | 16208 | 2427   | 1.04 | 0.64   | 14592 | 2185   | 1.16  | 0.72   | 12982 | 1944   | 1.30  | 0.84   | 11179 | 1674   | 1.51  |          |       | 1.1    | 8735  | 1308   | 1.94  |          |      | 1.2    | 7807  | 1169   | 2.2   | 1.5      | 6364 | 953      | 2.7  | 1.7    | 5643  | 845    | 3.0   | 3.1      | 2978  | 446    | 5.7   | 4.7      | 2010  | 301    | 8.4   | 0.68     | 13717 | 2054   | 0.82  | 0.78   | 12007 | 1798   | 0.94  | 0.86   | 10812 | 1619   | 1.04  | 1.0    | 9356  | 1401   | 1.21  | 1.1      | 8214  | 1230   | 1.37  | 1.3      | 7246  | 1085   | 1.56  | 1.1    | 8301  | 1243   | 0.89  | 1.3      | 7259  | 1087     | 1.02  | 1.5    | 6344  | 950    | 1.16  | 1.7    | 5570  | 834    | 1.32  | 1.9    | 4915  | 736    | 1.50  | 2.2    | 4274  | 640    | 1.72 |          |      |        |       |        |      |        |       |        |       |          |       |        |       |        |       |       |       |        |       |        |       |        |       |        |       |        |       |        |       |        |       |        |       |          |       |          |      |          |      |          |      |        |      |        |       |        |      |          |       |        |       |        |       |        |       |        |       |        |       |        |       |        |       |        |       |        |       |        |       |          |      |       |       |          |      |        |       |        |       |        |       |        |       |        |       |        |       |          |       |          |       |        |      |       |       |        |      |        |       |        |      |          |      |        |       |          |       |        |       |        |       |        |       |        |       |       |       |       |       |        |       |          |       |          |       |          |       |        |       |          |      |        |       |        |       |       |       |        |       |          |       |       |       |       |       |      |       |        |       |      |       |       |       |      |       |       |       |      |       |      |       |      |       |      |      |      |       |      |       |      |       |      |       |      |       |      |       |      |       |      |       |      |      |      |       |      |       |      |       |      |       |      |       |      |       |      |       |      |       |      |      |      |       |      |      |      |       |      |      |      |       |      |      |      |      |      |      |      |      |      |      |     |      |      |      |     |      |      |      |     |      |      |      |     |      |     |      |
| 21            | 320        | 66.13    | 2.4                    |             |         | 23            | 289        | 59.70    | 2.7                    |             |         | 11       | 616   | 127.27 | 0.91 | F 57    | 4     | 48       | 139  | 28.67   | 2.7   |        |       | 13       | 533   | 110.01 | 1.06  |        |       | 15     | 453   | 93.47  | 1.25  |        |       | 17     | 404   | 83.46  | 1.40  |          |       | 11     | 616   | 127.27 | 0.91  | F 107R77 | 4     | 30     | 228   | 47.02  | 0.83  |          |       | 13     | 533   | 110.01 | 1.06  |          |       | 15     | 453   | 93.47  | 1.25  |          |       | 17     | 404   |          |       | 83.46  | 1.40  | 0.50   | 18539 |          |       | 2776   | 0.91  | 0.58   | 16208 |          |       |          |      | 2427   | 1.04 | 0.64   | 14592 | 2185   | 1.16 | 0.72   | 12982 | 1944   | 1.30  | 0.84   | 11179 | 1674   | 1.51  | 1.1    | 8735  | 1308   | 1.94  |          |       | 1.2    | 7807  | 1169   | 2.2   | 1.5      | 6364 | 953    | 2.7   | 1.7    | 5643  | 845      | 3.0  | 3.1      | 2978 | 446    | 5.7   | 4.7    | 2010  | 301      | 8.4   | 0.68   | 13717 | 2054     | 0.82  | 0.78   | 12007 | 1798     | 0.94  | 0.86   | 10812 | 1619   | 1.04  | 1.0    | 9356  | 1401   | 1.21  | 1.1    | 8214  | 1230   | 1.37  | 1.3    | 7246  | 1085     | 1.56  | 1.1    | 8301  | 1243     | 0.89  | 1.3    | 7259  | 1087   | 1.02  | 1.5    | 6344  | 950      | 1.16  | 1.7      | 5570  | 834    | 1.32  | 1.9    | 4915  | 736    | 1.50  | 2.2    | 4274  | 640    | 1.72  |        |       |        |       |        |      |          |      |        |       |        |      |        |       |        |       |          |       |        |       |        |       |       |       |        |       |        |       |        |       |        |       |        |       |        |       |        |       |        |       |          |       |          |      |          |      |          |      |        |      |        |       |        |      |          |       |        |       |        |       |        |       |        |       |        |       |        |       |        |       |        |       |        |       |        |       |          |      |       |       |          |      |        |       |        |       |        |       |        |       |        |       |        |       |          |       |          |       |        |      |       |       |        |      |        |       |        |      |          |      |        |       |          |       |        |       |        |       |        |       |        |       |       |       |       |       |        |       |          |       |          |       |          |       |        |       |          |      |        |       |        |       |       |       |        |       |          |       |       |       |       |       |      |       |        |       |      |       |       |       |      |       |       |       |      |       |      |       |      |       |      |      |      |       |      |       |      |       |      |       |      |       |      |       |      |       |      |       |      |      |      |       |      |       |      |       |      |       |      |       |      |       |      |       |      |       |      |      |      |       |      |      |      |       |      |      |      |       |      |      |      |      |      |      |      |      |      |      |     |      |      |      |     |      |      |      |     |      |      |      |     |      |     |      |
| 23            | 289        | 59.70    | 2.7                    |             |         | 11            | 616        | 127.27   | 0.91                   | F 57        | 4       | 48       | 139   | 28.67  | 2.7  |         |       | 13       | 533  | 110.01  | 1.06  |        |       | 15       | 453   | 93.47  | 1.25  |        |       | 17     | 404   | 83.46  | 1.40  |        |       | 11     | 616   | 127.27 | 0.91  | F 107R77 | 4     | 30     | 228   | 47.02  | 0.83  |          |       | 13     | 533   | 110.01 | 1.06  |          |       | 15     | 453   | 93.47  | 1.25  |          |       | 17     | 404   | 83.46  | 1.40  |          |       | 0.50   | 18539 |          |       | 2776   | 0.91  | 0.58   | 16208 |          |       | 2427   | 1.04  | 0.64   | 14592 |          |       |          |      | 2185   | 1.16 | 0.72   | 12982 | 1944   | 1.30 | 0.84   | 11179 | 1674   | 1.51  | 1.1    | 8735  | 1308   | 1.94  | 1.2    | 7807  | 1169   | 2.2   | 1.5      | 6364  | 953    | 2.7   | 1.7    | 5643  | 845      | 3.0  | 3.1    | 2978  | 446    | 5.7   | 4.7      | 2010 | 301      | 8.4  | 0.68   | 13717 | 2054   | 0.82  | 0.78     | 12007 | 1798   | 0.94  | 0.86     | 10812 | 1619   | 1.04  | 1.0      | 9356  | 1401   | 1.21  | 1.1    | 8214  | 1230   | 1.37  | 1.3    | 7246  | 1085   | 1.56  | 1.1    | 8301  | 1243   | 0.89  | 1.3      | 7259  | 1087   | 1.02  | 1.5      | 6344  | 950    | 1.16  | 1.7    | 5570  | 834    | 1.32  | 1.9      | 4915  | 736      | 1.50  | 2.2    | 4274  | 640    | 1.72  |        |       |        |       |        |       |        |       |        |       |        |      |          |      |        |       |        |      |        |       |        |       |          |       |        |       |        |       |       |       |        |       |        |       |        |       |        |       |        |       |        |       |        |       |        |       |          |       |          |      |          |      |          |      |        |      |        |       |        |      |          |       |        |       |        |       |        |       |        |       |        |       |        |       |        |       |        |       |        |       |        |       |          |      |       |       |          |      |        |       |        |       |        |       |        |       |        |       |        |       |          |       |          |       |        |      |       |       |        |      |        |       |        |      |          |      |        |       |          |       |        |       |        |       |        |       |        |       |       |       |       |       |        |       |          |       |          |       |          |       |        |       |          |      |        |       |        |       |       |       |        |       |          |       |       |       |       |       |      |       |        |       |      |       |       |       |      |       |       |       |      |       |      |       |      |       |      |      |      |       |      |       |      |       |      |       |      |       |      |       |      |       |      |       |      |      |      |       |      |       |      |       |      |       |      |       |      |       |      |       |      |       |      |      |      |       |      |      |      |       |      |      |      |       |      |      |      |      |      |      |      |      |      |      |     |      |      |      |     |      |      |      |     |      |      |      |     |      |     |      |
| 11            | 616        | 127.27   | 0.91                   | F 57        | 4       | 48            | 139        | 28.67    | 2.7                    |             |         |          |       |        |      |         |       |          |      |         |       |        |       |          |       |        |       |        |       |        |       |        |       |        |       |        |       |        |       |          |       |        |       |        |       |          |       |        |       |        |       |          |       |        |       |        |       |          |       |        |       |        |       |          |       |        |       |          |       |        |       |        |       |          |       |        |       |        |       |          |       |          |      |        |      |        |       |        |      |        |       |        |       |        |       |        |       |        |       |        |       |          |       |        |       |        |       |          |      |        |       |        |       |          |      |          |      |        |       |        |       |          |       |        |       |          |       |        |       |          |       |        |       |        |       |        |       |        |       |        |       |        |       |        |       |          |       |        |       |          |       |        |       |        |       |        |       |          |       |          |       |        |       |        |       |        |       |        |       |        |       |        |       |        |       |        |      |          |      |        |       |        |      |        |       |        |       |          |       |        |       |        |       |       |       |        |       |        |       |        |       |        |       |        |       |        |       |        |       |        |       |          |       |          |      |          |      |          |      |        |      |        |       |        |      |          |       |        |       |        |       |        |       |        |       |        |       |        |       |        |       |        |       |        |       |        |       |          |      |       |       |          |      |        |       |        |       |        |       |        |       |        |       |        |       |          |       |          |       |        |      |       |       |        |      |        |       |        |      |          |      |        |       |          |       |        |       |        |       |        |       |        |       |       |       |       |       |        |       |          |       |          |       |          |       |        |       |          |      |        |       |        |       |       |       |        |       |          |       |       |       |       |       |      |       |        |       |      |       |       |       |      |       |       |       |      |       |      |       |      |       |      |      |      |       |      |       |      |       |      |       |      |       |      |       |      |       |      |       |      |      |      |       |      |       |      |       |      |       |      |       |      |       |      |       |      |       |      |      |      |       |      |      |      |       |      |      |      |       |      |      |      |      |      |      |      |      |      |      |     |      |      |      |     |      |      |      |     |      |      |      |     |      |     |      |
| 13            | 533        | 110.01   | 1.06                   |             |         | 15            | 453        | 93.47    | 1.25                   |             |         | 17       | 404   | 83.46  | 1.40 |         |       | 11       | 616  | 127.27  | 0.91  |        |       | F 107R77 | 4     | 30     | 228   | 47.02  | 0.83  | 13     | 533   | 110.01 | 1.06  | 15     | 453   | 93.47  | 1.25  | 17     | 404   |          |       | 83.46  | 1.40  | 0.50   | 18539 |          |       | 2776   | 0.91  | 0.58   | 16208 |          |       | 2427   | 1.04  | 0.64   | 14592 |          |       | 2185   | 1.16  | 0.72   | 12982 |          |       | 1944   | 1.30  |          |       | 0.84   | 11179 | 1674   | 1.51  |          |       | 1.1    | 8735  | 1308   | 1.94  |          |       | 1.2      | 7807 | 1169   | 2.2  | 1.5    | 6364  | 953    | 2.7  | 1.7    | 5643  | 845    | 3.0   | 3.1    | 2978  | 446    | 5.7   | 4.7    | 2010  | 301    | 8.4   | 0.68     | 13717 | 2054   | 0.82  | 0.78   | 12007 | 1798     | 0.94 | 0.86   | 10812 | 1619   | 1.04  | 1.0      | 9356 | 1401     | 1.21 | 1.1    | 8214  | 1230   | 1.37  | 1.3      | 7246  | 1085   | 1.56  | 1.1      | 8301  | 1243   | 0.89  | 1.3      | 7259  | 1087   | 1.02  | 1.5    | 6344  | 950    | 1.16  | 1.7    | 5570  | 834    | 1.32  | 1.9    | 4915  | 736    | 1.50  | 2.2      | 4274  | 640    | 1.72  |          |       |        |       |        |       |        |       |          |       |          |       |        |       |        |       |        |       |        |       |        |       |        |       |        |       |        |      |          |      |        |       |        |      |        |       |        |       |          |       |        |       |        |       |       |       |        |       |        |       |        |       |        |       |        |       |        |       |        |       |        |       |          |       |          |      |          |      |          |      |        |      |        |       |        |      |          |       |        |       |        |       |        |       |        |       |        |       |        |       |        |       |        |       |        |       |        |       |          |      |       |       |          |      |        |       |        |       |        |       |        |       |        |       |        |       |          |       |          |       |        |      |       |       |        |      |        |       |        |      |          |      |        |       |          |       |        |       |        |       |        |       |        |       |       |       |       |       |        |       |          |       |          |       |          |       |        |       |          |      |        |       |        |       |       |       |        |       |          |       |       |       |       |       |      |       |        |       |      |       |       |       |      |       |       |       |      |       |      |       |      |       |      |      |      |       |      |       |      |       |      |       |      |       |      |       |      |       |      |       |      |      |      |       |      |       |      |       |      |       |      |       |      |       |      |       |      |       |      |      |      |       |      |      |      |       |      |      |      |       |      |      |      |      |      |      |      |      |      |      |     |      |      |      |     |      |      |      |     |      |      |      |     |      |     |      |
| 15            | 453        | 93.47    | 1.25                   |             |         | 17            | 404        | 83.46    | 1.40                   |             |         | 11       | 616   | 127.27 | 0.91 |         |       | F 107R77 | 4    | 30      | 228   | 47.02  | 0.83  |          |       | 13     | 533   | 110.01 | 1.06  | 15     | 453   | 93.47  | 1.25  | 17     | 404   | 83.46  | 1.40  | 0.50   | 18539 |          |       | 2776   | 0.91  | 0.58   | 16208 |          |       | 2427   | 1.04  | 0.64   | 14592 |          |       | 2185   | 1.16  | 0.72   | 12982 |          |       | 1944   | 1.30  | 0.84   | 11179 |          |       | 1674   | 1.51  |          |       | 1.1    | 8735  | 1308   | 1.94  |          |       | 1.2    | 7807  | 1169   | 2.2   | 1.5      | 6364  | 953      | 2.7  | 1.7    | 5643 | 845    | 3.0   | 3.1    | 2978 | 446    | 5.7   | 4.7    | 2010  | 301    | 8.4   | 0.68   | 13717 | 2054   | 0.82  | 0.78   | 12007 | 1798     | 0.94  | 0.86   | 10812 | 1619   | 1.04  | 1.0      | 9356 | 1401   | 1.21  | 1.1    | 8214  | 1230     | 1.37 | 1.3      | 7246 | 1085   | 1.56  | 1.1    | 8301  | 1243     | 0.89  | 1.3    | 7259  | 1087     | 1.02  | 1.5    | 6344  | 950      | 1.16  | 1.7    | 5570  | 834    | 1.32  | 1.9    | 4915  | 736    | 1.50  | 2.2    | 4274  | 640    | 1.72  |        |       |          |       |        |       |          |       |        |       |        |       |        |       |          |       |          |       |        |       |        |       |        |       |        |       |        |       |        |       |        |       |        |      |          |      |        |       |        |      |        |       |        |       |          |       |        |       |        |       |       |       |        |       |        |       |        |       |        |       |        |       |        |       |        |       |        |       |          |       |          |      |          |      |          |      |        |      |        |       |        |      |          |       |        |       |        |       |        |       |        |       |        |       |        |       |        |       |        |       |        |       |        |       |          |      |       |       |          |      |        |       |        |       |        |       |        |       |        |       |        |       |          |       |          |       |        |      |       |       |        |      |        |       |        |      |          |      |        |       |          |       |        |       |        |       |        |       |        |       |       |       |       |       |        |       |          |       |          |       |          |       |        |       |          |      |        |       |        |       |       |       |        |       |          |       |       |       |       |       |      |       |        |       |      |       |       |       |      |       |       |       |      |       |      |       |      |       |      |      |      |       |      |       |      |       |      |       |      |       |      |       |      |       |      |       |      |      |      |       |      |       |      |       |      |       |      |       |      |       |      |       |      |       |      |      |      |       |      |      |      |       |      |      |      |       |      |      |      |      |      |      |      |      |      |      |     |      |      |      |     |      |      |      |     |      |      |      |     |      |     |      |
| 17            | 404        | 83.46    | 1.40                   |             |         | 11            | 616        | 127.27   | 0.91                   |             |         | F 107R77 | 4     | 30     | 228  | 47.02   | 0.83  |          |      | 13      | 533   | 110.01 | 1.06  |          |       | 15     | 453   | 93.47  | 1.25  | 17     | 404   | 83.46  | 1.40  | 0.50   | 18539 | 2776   | 0.91  | 0.58   | 16208 |          |       | 2427   | 1.04  | 0.64   | 14592 |          |       | 2185   | 1.16  | 0.72   | 12982 |          |       | 1944   | 1.30  | 0.84   | 11179 |          |       | 1674   | 1.51  | 1.1    | 8735  |          |       | 1308   | 1.94  |          |       | 1.2    | 7807  | 1169   | 2.2   | 1.5      | 6364  | 953    | 2.7   | 1.7    | 5643  | 845      | 3.0   | 3.1      | 2978 | 446    | 5.7  | 4.7    | 2010  | 301    | 8.4  | 0.68   | 13717 | 2054   | 0.82  | 0.78   | 12007 | 1798   | 0.94  | 0.86   | 10812 | 1619   | 1.04  | 1.0      | 9356  | 1401   | 1.21  | 1.1    | 8214  | 1230     | 1.37 | 1.3    | 7246  | 1085   | 1.56  | 1.1      | 8301 | 1243     | 0.89 | 1.3    | 7259  | 1087   | 1.02  | 1.5      | 6344  | 950    | 1.16  | 1.7      | 5570  | 834    | 1.32  | 1.9      | 4915  | 736    | 1.50  | 2.2    | 4274  | 640    | 1.72  |        |       |        |       |        |       |        |       |          |       |        |       |          |       |        |       |        |       |        |       |          |       |          |       |        |       |        |       |        |       |        |       |        |       |        |       |        |       |        |      |          |      |        |       |        |      |        |       |        |       |          |       |        |       |        |       |       |       |        |       |        |       |        |       |        |       |        |       |        |       |        |       |        |       |          |       |          |      |          |      |          |      |        |      |        |       |        |      |          |       |        |       |        |       |        |       |        |       |        |       |        |       |        |       |        |       |        |       |        |       |          |      |       |       |          |      |        |       |        |       |        |       |        |       |        |       |        |       |          |       |          |       |        |      |       |       |        |      |        |       |        |      |          |      |        |       |          |       |        |       |        |       |        |       |        |       |       |       |       |       |        |       |          |       |          |       |          |       |        |       |          |      |        |       |        |       |       |       |        |       |          |       |       |       |       |       |      |       |        |       |      |       |       |       |      |       |       |       |      |       |      |       |      |       |      |      |      |       |      |       |      |       |      |       |      |       |      |       |      |       |      |       |      |      |      |       |      |       |      |       |      |       |      |       |      |       |      |       |      |       |      |      |      |       |      |      |      |       |      |      |      |       |      |      |      |      |      |      |      |      |      |      |     |      |      |      |     |      |      |      |     |      |      |      |     |      |     |      |
| 11            | 616        | 127.27   | 0.91                   |             |         | F 107R77      | 4          | 30       | 228                    | 47.02       | 0.83    |          |       |        |      |         |       |          |      |         |       |        |       |          |       |        |       |        |       |        |       |        |       |        |       |        |       |        |       |          |       |        |       |        |       |          |       |        |       |        |       |          |       |        |       |        |       |          |       |        |       |        |       |          |       |        |       |          |       |        |       |        |       |          |       |        |       |        |       |          |       |          |      |        |      |        |       |        |      |        |       |        |       |        |       |        |       |        |       |        |       |          |       |        |       |        |       |          |      |        |       |        |       |          |      |          |      |        |       |        |       |          |       |        |       |          |       |        |       |          |       |        |       |        |       |        |       |        |       |        |       |        |       |        |       |          |       |        |       |          |       |        |       |        |       |        |       |          |       |          |       |        |       |        |       |        |       |        |       |        |       |        |       |        |       |        |      |          |      |        |       |        |      |        |       |        |       |          |       |        |       |        |       |       |       |        |       |        |       |        |       |        |       |        |       |        |       |        |       |        |       |          |       |          |      |          |      |          |      |        |      |        |       |        |      |          |       |        |       |        |       |        |       |        |       |        |       |        |       |        |       |        |       |        |       |        |       |          |      |       |       |          |      |        |       |        |       |        |       |        |       |        |       |        |       |          |       |          |       |        |      |       |       |        |      |        |       |        |      |          |      |        |       |          |       |        |       |        |       |        |       |        |       |       |       |       |       |        |       |          |       |          |       |          |       |        |       |          |      |        |       |        |       |       |       |        |       |          |       |       |       |       |       |      |       |        |       |      |       |       |       |      |       |       |       |      |       |      |       |      |       |      |      |      |       |      |       |      |       |      |       |      |       |      |       |      |       |      |       |      |      |      |       |      |       |      |       |      |       |      |       |      |       |      |       |      |       |      |      |      |       |      |      |      |       |      |      |      |       |      |      |      |      |      |      |      |      |      |      |     |      |      |      |     |      |      |      |     |      |      |      |     |      |     |      |
| 13            | 533        | 110.01   | 1.06                   | 15          | 453     |               |            | 93.47    | 1.25                   | 17          | 404     |          |       | 83.46  | 1.40 | 0.50    | 18539 |          |      | 2776    | 0.91  | 0.58   | 16208 |          |       | 2427   | 1.04  | 0.64   | 14592 | 2185   | 1.16  | 0.72   | 12982 | 1944   | 1.30  | 0.84   | 11179 | 1674   | 1.51  |          |       | 1.1    | 8735  | 1308   | 1.94  |          |       | 1.2    | 7807  | 1169   | 2.2   |          |       | 1.5    | 6364  | 953    | 2.7   |          |       | 1.7    | 5643  | 845    | 3.0   | 3.1      | 2978  | 446    | 5.7   | 4.7      | 2010  | 301    | 8.4   | 0.68   | 13717 | 2054     | 0.82  | 0.78   | 12007 | 1798   | 0.94  | 0.86     | 10812 | 1619     | 1.04 | 1.0    | 9356 | 1401   | 1.21  | 1.1    | 8214 | 1230   | 1.37  | 1.3    | 7246  | 1085   | 1.56  | 1.1    | 8301  | 1243   | 0.89  | 1.3    | 7259  | 1087     | 1.02  | 1.5    | 6344  | 950    | 1.16  | 1.7      | 5570 | 834    | 1.32  | 1.9    | 4915  | 736      | 1.50 | 2.2      | 4274 | 640    | 1.72  |        |       |          |       |        |       |          |       |        |       |          |       |        |       |        |       |        |       |        |       |        |       |        |       |        |       |          |       |        |       |          |       |        |       |        |       |        |       |          |       |          |       |        |       |        |       |        |       |        |       |        |       |        |       |        |       |        |      |          |      |        |       |        |      |        |       |        |       |          |       |        |       |        |       |       |       |        |       |        |       |        |       |        |       |        |       |        |       |        |       |        |       |          |       |          |      |          |      |          |      |        |      |        |       |        |      |          |       |        |       |        |       |        |       |        |       |        |       |        |       |        |       |        |       |        |       |        |       |          |      |       |       |          |      |        |       |        |       |        |       |        |       |        |       |        |       |          |       |          |       |        |      |       |       |        |      |        |       |        |      |          |      |        |       |          |       |        |       |        |       |        |       |        |       |       |       |       |       |        |       |          |       |          |       |          |       |        |       |          |      |        |       |        |       |       |       |        |       |          |       |       |       |       |       |      |       |        |       |      |       |       |       |      |       |       |       |      |       |      |       |      |       |      |      |      |       |      |       |      |       |      |       |      |       |      |       |      |       |      |       |      |      |      |       |      |       |      |       |      |       |      |       |      |       |      |       |      |       |      |      |      |       |      |      |      |       |      |      |      |       |      |      |      |      |      |      |      |      |      |      |     |      |      |      |     |      |      |      |     |      |      |      |     |      |     |      |
| 15            | 453        | 93.47    | 1.25                   | 17          | 404     |               |            | 83.46    | 1.40                   | 0.50        | 18539   |          |       | 2776   | 0.91 | 0.58    | 16208 |          |      | 2427    | 1.04  | 0.64   | 14592 |          |       | 2185   | 1.16  | 0.72   | 12982 | 1944   | 1.30  | 0.84   | 11179 | 1674   | 1.51  | 1.1    | 8735  | 1308   | 1.94  |          |       | 1.2    | 7807  | 1169   | 2.2   |          |       | 1.5    | 6364  | 953    | 2.7   |          |       | 1.7    | 5643  | 845    | 3.0   | 3.1      | 2978  | 446    | 5.7   | 4.7    | 2010  | 301      | 8.4   | 0.68   | 13717 | 2054     | 0.82  | 0.78   | 12007 | 1798   | 0.94  | 0.86     | 10812 | 1619   | 1.04  | 1.0    | 9356  | 1401     | 1.21  | 1.1      | 8214 | 1230   | 1.37 | 1.3    | 7246  | 1085   | 1.56 | 1.1    | 8301  | 1243   | 0.89  | 1.3    | 7259  | 1087   | 1.02  | 1.5    | 6344  | 950    | 1.16  | 1.7      | 5570  | 834    | 1.32  | 1.9    | 4915  | 736      | 1.50 | 2.2    | 4274  | 640    | 1.72  |          |      |          |      |        |       |        |       |          |       |        |       |          |       |        |       |          |       |        |       |        |       |        |       |        |       |        |       |        |       |        |       |          |       |        |       |          |       |        |       |        |       |        |       |          |       |          |       |        |       |        |       |        |       |        |       |        |       |        |       |        |       |        |      |          |      |        |       |        |      |        |       |        |       |          |       |        |       |        |       |       |       |        |       |        |       |        |       |        |       |        |       |        |       |        |       |        |       |          |       |          |      |          |      |          |      |        |      |        |       |        |      |          |       |        |       |        |       |        |       |        |       |        |       |        |       |        |       |        |       |        |       |        |       |          |      |       |       |          |      |        |       |        |       |        |       |        |       |        |       |        |       |          |       |          |       |        |      |       |       |        |      |        |       |        |      |          |      |        |       |          |       |        |       |        |       |        |       |        |       |       |       |       |       |        |       |          |       |          |       |          |       |        |       |          |      |        |       |        |       |       |       |        |       |          |       |       |       |       |       |      |       |        |       |      |       |       |       |      |       |       |       |      |       |      |       |      |       |      |      |      |       |      |       |      |       |      |       |      |       |      |       |      |       |      |       |      |      |      |       |      |       |      |       |      |       |      |       |      |       |      |       |      |       |      |      |      |       |      |      |      |       |      |      |      |       |      |      |      |      |      |      |      |      |      |      |     |      |      |      |     |      |      |      |     |      |      |      |     |      |     |      |
| 17            | 404        | 83.46    | 1.40                   | 0.50        | 18539   |               |            | 2776     | 0.91                   | 0.58        | 16208   |          |       | 2427   | 1.04 | 0.64    | 14592 |          |      | 2185    | 1.16  | 0.72   | 12982 |          |       | 1944   | 1.30  | 0.84   | 11179 | 1674   | 1.51  | 1.1    | 8735  | 1308   | 1.94  | 1.2    | 7807  | 1169   | 2.2   |          |       | 1.5    | 6364  | 953    | 2.7   |          |       | 1.7    | 5643  | 845    | 3.0   | 3.1      | 2978  | 446    | 5.7   | 4.7    | 2010  | 301      | 8.4   | 0.68   | 13717 | 2054   | 0.82  | 0.78     | 12007 | 1798   | 0.94  | 0.86     | 10812 | 1619   | 1.04  | 1.0    | 9356  | 1401     | 1.21  | 1.1    | 8214  | 1230   | 1.37  | 1.3      | 7246  | 1085     | 1.56 | 1.1    | 8301 | 1243   | 0.89  | 1.3    | 7259 | 1087   | 1.02  | 1.5    | 6344  | 950    | 1.16  | 1.7    | 5570  | 834    | 1.32  | 1.9    | 4915  | 736      | 1.50  | 2.2    | 4274  | 640    | 1.72  |          |      |        |       |        |       |          |      |          |      |        |       |        |       |          |       |        |       |          |       |        |       |          |       |        |       |        |       |        |       |        |       |        |       |        |       |        |       |          |       |        |       |          |       |        |       |        |       |        |       |          |       |          |       |        |       |        |       |        |       |        |       |        |       |        |       |        |       |        |      |          |      |        |       |        |      |        |       |        |       |          |       |        |       |        |       |       |       |        |       |        |       |        |       |        |       |        |       |        |       |        |       |        |       |          |       |          |      |          |      |          |      |        |      |        |       |        |      |          |       |        |       |        |       |        |       |        |       |        |       |        |       |        |       |        |       |        |       |        |       |          |      |       |       |          |      |        |       |        |       |        |       |        |       |        |       |        |       |          |       |          |       |        |      |       |       |        |      |        |       |        |      |          |      |        |       |          |       |        |       |        |       |        |       |        |       |       |       |       |       |        |       |          |       |          |       |          |       |        |       |          |      |        |       |        |       |       |       |        |       |          |       |       |       |       |       |      |       |        |       |      |       |       |       |      |       |       |       |      |       |      |       |      |       |      |      |      |       |      |       |      |       |      |       |      |       |      |       |      |       |      |       |      |      |      |       |      |       |      |       |      |       |      |       |      |       |      |       |      |       |      |      |      |       |      |      |      |       |      |      |      |       |      |      |      |      |      |      |      |      |      |      |     |      |      |      |     |      |      |      |     |      |      |      |     |      |     |      |
| 0.50          | 18539      | 2776     | 0.91                   | 0.58        | 16208   |               |            | 2427     | 1.04                   | 0.64        | 14592   |          |       | 2185   | 1.16 | 0.72    | 12982 |          |      | 1944    | 1.30  | 0.84   | 11179 |          |       | 1674   | 1.51  | 1.1    | 8735  | 1308   | 1.94  | 1.2    | 7807  | 1169   | 2.2   | 1.5    | 6364  | 953    | 2.7   |          |       | 1.7    | 5643  | 845    | 3.0   | 3.1      | 2978  | 446    | 5.7   | 4.7    | 2010  | 301      | 8.4   | 0.68   | 13717 | 2054   | 0.82  | 0.78     | 12007 | 1798   | 0.94  | 0.86   | 10812 | 1619     | 1.04  | 1.0    | 9356  | 1401     | 1.21  | 1.1    | 8214  | 1230   | 1.37  | 1.3      | 7246  | 1085   | 1.56  | 1.1    | 8301  | 1243     | 0.89  | 1.3      | 7259 | 1087   | 1.02 | 1.5    | 6344  | 950    | 1.16 | 1.7    | 5570  | 834    | 1.32  | 1.9    | 4915  | 736    | 1.50  | 2.2    | 4274  | 640    | 1.72  |          |       |        |       |        |       |          |      |        |       |        |       |          |      |          |      |        |       |        |       |          |       |        |       |          |       |        |       |          |       |        |       |        |       |        |       |        |       |        |       |        |       |        |       |          |       |        |       |          |       |        |       |        |       |        |       |          |       |          |       |        |       |        |       |        |       |        |       |        |       |        |       |        |       |        |      |          |      |        |       |        |      |        |       |        |       |          |       |        |       |        |       |       |       |        |       |        |       |        |       |        |       |        |       |        |       |        |       |        |       |          |       |          |      |          |      |          |      |        |      |        |       |        |      |          |       |        |       |        |       |        |       |        |       |        |       |        |       |        |       |        |       |        |       |        |       |          |      |       |       |          |      |        |       |        |       |        |       |        |       |        |       |        |       |          |       |          |       |        |      |       |       |        |      |        |       |        |      |          |      |        |       |          |       |        |       |        |       |        |       |        |       |       |       |       |       |        |       |          |       |          |       |          |       |        |       |          |      |        |       |        |       |       |       |        |       |          |       |       |       |       |       |      |       |        |       |      |       |       |       |      |       |       |       |      |       |      |       |      |       |      |      |      |       |      |       |      |       |      |       |      |       |      |       |      |       |      |       |      |      |      |       |      |       |      |       |      |       |      |       |      |       |      |       |      |       |      |      |      |       |      |      |      |       |      |      |      |       |      |      |      |      |      |      |      |      |      |      |     |      |      |      |     |      |      |      |     |      |      |      |     |      |     |      |
| 0.58          | 16208      | 2427     | 1.04                   | 0.64        | 14592   |               |            | 2185     | 1.16                   | 0.72        | 12982   |          |       | 1944   | 1.30 | 0.84    | 11179 |          |      | 1674    | 1.51  | 1.1    | 8735  |          |       | 1308   | 1.94  | 1.2    | 7807  | 1169   | 2.2   | 1.5    | 6364  | 953    | 2.7   | 1.7    | 5643  | 845    | 3.0   | 3.1      | 2978  | 446    | 5.7   | 4.7    | 2010  | 301      | 8.4   | 0.68   | 13717 | 2054   | 0.82  | 0.78     | 12007 | 1798   | 0.94  | 0.86   | 10812 | 1619     | 1.04  | 1.0    | 9356  | 1401   | 1.21  | 1.1      | 8214  | 1230   | 1.37  | 1.3      | 7246  | 1085   | 1.56  | 1.1    | 8301  | 1243     | 0.89  | 1.3    | 7259  | 1087   | 1.02  | 1.5      | 6344  | 950      | 1.16 | 1.7    | 5570 | 834    | 1.32  | 1.9    | 4915 | 736    | 1.50  | 2.2    | 4274  | 640    | 1.72  |        |       |        |       |        |       |          |       |        |       |        |       |          |      |        |       |        |       |          |      |          |      |        |       |        |       |          |       |        |       |          |       |        |       |          |       |        |       |        |       |        |       |        |       |        |       |        |       |        |       |          |       |        |       |          |       |        |       |        |       |        |       |          |       |          |       |        |       |        |       |        |       |        |       |        |       |        |       |        |       |        |      |          |      |        |       |        |      |        |       |        |       |          |       |        |       |        |       |       |       |        |       |        |       |        |       |        |       |        |       |        |       |        |       |        |       |          |       |          |      |          |      |          |      |        |      |        |       |        |      |          |       |        |       |        |       |        |       |        |       |        |       |        |       |        |       |        |       |        |       |        |       |          |      |       |       |          |      |        |       |        |       |        |       |        |       |        |       |        |       |          |       |          |       |        |      |       |       |        |      |        |       |        |      |          |      |        |       |          |       |        |       |        |       |        |       |        |       |       |       |       |       |        |       |          |       |          |       |          |       |        |       |          |      |        |       |        |       |       |       |        |       |          |       |       |       |       |       |      |       |        |       |      |       |       |       |      |       |       |       |      |       |      |       |      |       |      |      |      |       |      |       |      |       |      |       |      |       |      |       |      |       |      |       |      |      |      |       |      |       |      |       |      |       |      |       |      |       |      |       |      |       |      |      |      |       |      |      |      |       |      |      |      |       |      |      |      |      |      |      |      |      |      |      |     |      |      |      |     |      |      |      |     |      |      |      |     |      |     |      |
| 0.64          | 14592      | 2185     | 1.16                   | 0.72        | 12982   |               |            | 1944     | 1.30                   | 0.84        | 11179   |          |       | 1674   | 1.51 | 1.1     | 8735  |          |      | 1308    | 1.94  | 1.2    | 7807  |          |       | 1169   | 2.2   | 1.5    | 6364  | 953    | 2.7   | 1.7    | 5643  | 845    | 3.0   | 3.1    | 2978  | 446    | 5.7   | 4.7      | 2010  | 301    | 8.4   | 0.68   | 13717 | 2054     | 0.82  | 0.78   | 12007 | 1798   | 0.94  | 0.86     | 10812 | 1619   | 1.04  | 1.0    | 9356  | 1401     | 1.21  | 1.1    | 8214  | 1230   | 1.37  | 1.3      | 7246  | 1085   | 1.56  | 1.1      | 8301  | 1243   | 0.89  | 1.3    | 7259  | 1087     | 1.02  | 1.5    | 6344  | 950    | 1.16  | 1.7      | 5570  | 834      | 1.32 | 1.9    | 4915 | 736    | 1.50  | 2.2    | 4274 | 640    | 1.72  |        |       |        |       |        |       |        |       |        |       |          |       |        |       |        |       |          |      |        |       |        |       |          |      |          |      |        |       |        |       |          |       |        |       |          |       |        |       |          |       |        |       |        |       |        |       |        |       |        |       |        |       |        |       |          |       |        |       |          |       |        |       |        |       |        |       |          |       |          |       |        |       |        |       |        |       |        |       |        |       |        |       |        |       |        |      |          |      |        |       |        |      |        |       |        |       |          |       |        |       |        |       |       |       |        |       |        |       |        |       |        |       |        |       |        |       |        |       |        |       |          |       |          |      |          |      |          |      |        |      |        |       |        |      |          |       |        |       |        |       |        |       |        |       |        |       |        |       |        |       |        |       |        |       |        |       |          |      |       |       |          |      |        |       |        |       |        |       |        |       |        |       |        |       |          |       |          |       |        |      |       |       |        |      |        |       |        |      |          |      |        |       |          |       |        |       |        |       |        |       |        |       |       |       |       |       |        |       |          |       |          |       |          |       |        |       |          |      |        |       |        |       |       |       |        |       |          |       |       |       |       |       |      |       |        |       |      |       |       |       |      |       |       |       |      |       |      |       |      |       |      |      |      |       |      |       |      |       |      |       |      |       |      |       |      |       |      |       |      |      |      |       |      |       |      |       |      |       |      |       |      |       |      |       |      |       |      |      |      |       |      |      |      |       |      |      |      |       |      |      |      |      |      |      |      |      |      |      |     |      |      |      |     |      |      |      |     |      |      |      |     |      |     |      |
| 0.72          | 12982      | 1944     | 1.30                   | 0.84        | 11179   |               |            | 1674     | 1.51                   | 1.1         | 8735    |          |       | 1308   | 1.94 | 1.2     | 7807  |          |      | 1169    | 2.2   | 1.5    | 6364  | 953      | 2.7   | 1.7    | 5643  | 845    | 3.0   | 3.1    | 2978  | 446    | 5.7   | 4.7    | 2010  | 301    | 8.4   | 0.68   | 13717 | 2054     | 0.82  | 0.78   | 12007 | 1798   | 0.94  | 0.86     | 10812 | 1619   | 1.04  | 1.0    | 9356  | 1401     | 1.21  | 1.1    | 8214  | 1230   | 1.37  | 1.3      | 7246  | 1085   | 1.56  | 1.1    | 8301  | 1243     | 0.89  | 1.3    | 7259  | 1087     | 1.02  | 1.5    | 6344  | 950    | 1.16  | 1.7      | 5570  | 834    | 1.32  | 1.9    | 4915  | 736      | 1.50  | 2.2      | 4274 | 640    | 1.72 |        |       |        |      |        |       |        |       |        |       |        |       |        |       |        |       |          |       |        |       |        |       |          |      |        |       |        |       |          |      |          |      |        |       |        |       |          |       |        |       |          |       |        |       |          |       |        |       |        |       |        |       |        |       |        |       |        |       |        |       |          |       |        |       |          |       |        |       |        |       |        |       |          |       |          |       |        |       |        |       |        |       |        |       |        |       |        |       |        |       |        |      |          |      |        |       |        |      |        |       |        |       |          |       |        |       |        |       |       |       |        |       |        |       |        |       |        |       |        |       |        |       |        |       |        |       |          |       |          |      |          |      |          |      |        |      |        |       |        |      |          |       |        |       |        |       |        |       |        |       |        |       |        |       |        |       |        |       |        |       |        |       |          |      |       |       |          |      |        |       |        |       |        |       |        |       |        |       |        |       |          |       |          |       |        |      |       |       |        |      |        |       |        |      |          |      |        |       |          |       |        |       |        |       |        |       |        |       |       |       |       |       |        |       |          |       |          |       |          |       |        |       |          |      |        |       |        |       |       |       |        |       |          |       |       |       |       |       |      |       |        |       |      |       |       |       |      |       |       |       |      |       |      |       |      |       |      |      |      |       |      |       |      |       |      |       |      |       |      |       |      |       |      |       |      |      |      |       |      |       |      |       |      |       |      |       |      |       |      |       |      |       |      |      |      |       |      |      |      |       |      |      |      |       |      |      |      |      |      |      |      |      |      |      |     |      |      |      |     |      |      |      |     |      |      |      |     |      |     |      |
| 0.84          | 11179      | 1674     | 1.51                   | 1.1         | 8735    |               |            | 1308     | 1.94                   | 1.2         | 7807    |          |       | 1169   | 2.2  | 1.5     | 6364  | 953      | 2.7  | 1.7     | 5643  | 845    | 3.0   | 3.1      | 2978  | 446    | 5.7   | 4.7    | 2010  | 301    | 8.4   | 0.68   | 13717 | 2054   | 0.82  | 0.78   | 12007 | 1798   | 0.94  | 0.86     | 10812 | 1619   | 1.04  | 1.0    | 9356  | 1401     | 1.21  | 1.1    | 8214  | 1230   | 1.37  | 1.3      | 7246  | 1085   | 1.56  | 1.1    | 8301  | 1243     | 0.89  | 1.3    | 7259  | 1087   | 1.02  | 1.5      | 6344  | 950    | 1.16  | 1.7      | 5570  | 834    | 1.32  | 1.9    | 4915  | 736      | 1.50  | 2.2    | 4274  | 640    | 1.72  |          |       |          |      |        |      |        |       |        |      |        |       |        |       |        |       |        |       |        |       |        |       |          |       |        |       |        |       |          |      |        |       |        |       |          |      |          |      |        |       |        |       |          |       |        |       |          |       |        |       |          |       |        |       |        |       |        |       |        |       |        |       |        |       |        |       |          |       |        |       |          |       |        |       |        |       |        |       |          |       |          |       |        |       |        |       |        |       |        |       |        |       |        |       |        |       |        |      |          |      |        |       |        |      |        |       |        |       |          |       |        |       |        |       |       |       |        |       |        |       |        |       |        |       |        |       |        |       |        |       |        |       |          |       |          |      |          |      |          |      |        |      |        |       |        |      |          |       |        |       |        |       |        |       |        |       |        |       |        |       |        |       |        |       |        |       |        |       |          |      |       |       |          |      |        |       |        |       |        |       |        |       |        |       |        |       |          |       |          |       |        |      |       |       |        |      |        |       |        |      |          |      |        |       |          |       |        |       |        |       |        |       |        |       |       |       |       |       |        |       |          |       |          |       |          |       |        |       |          |      |        |       |        |       |       |       |        |       |          |       |       |       |       |       |      |       |        |       |      |       |       |       |      |       |       |       |      |       |      |       |      |       |      |      |      |       |      |       |      |       |      |       |      |       |      |       |      |       |      |       |      |      |      |       |      |       |      |       |      |       |      |       |      |       |      |       |      |       |      |      |      |       |      |      |      |       |      |      |      |       |      |      |      |      |      |      |      |      |      |      |     |      |      |      |     |      |      |      |     |      |      |      |     |      |     |      |
| 1.1           | 8735       | 1308     | 1.94                   | 1.2         | 7807    |               |            | 1169     | 2.2                    | 1.5         | 6364    | 953      | 2.7   | 1.7    | 5643 | 845     | 3.0   | 3.1      | 2978 | 446     | 5.7   | 4.7    | 2010  | 301      | 8.4   | 0.68   | 13717 | 2054   | 0.82  | 0.78   | 12007 | 1798   | 0.94  | 0.86   | 10812 | 1619   | 1.04  | 1.0    | 9356  | 1401     | 1.21  | 1.1    | 8214  | 1230   | 1.37  | 1.3      | 7246  | 1085   | 1.56  | 1.1    | 8301  | 1243     | 0.89  | 1.3    | 7259  | 1087   | 1.02  | 1.5      | 6344  | 950    | 1.16  | 1.7    | 5570  | 834      | 1.32  | 1.9    | 4915  | 736      | 1.50  | 2.2    | 4274  | 640    | 1.72  |          |       |        |       |        |       |          |       |          |      |        |      |        |       |        |      |        |       |        |       |        |       |        |       |        |       |        |       |          |       |        |       |        |       |          |      |        |       |        |       |          |      |          |      |        |       |        |       |          |       |        |       |          |       |        |       |          |       |        |       |        |       |        |       |        |       |        |       |        |       |        |       |          |       |        |       |          |       |        |       |        |       |        |       |          |       |          |       |        |       |        |       |        |       |        |       |        |       |        |       |        |       |        |      |          |      |        |       |        |      |        |       |        |       |          |       |        |       |        |       |       |       |        |       |        |       |        |       |        |       |        |       |        |       |        |       |        |       |          |       |          |      |          |      |          |      |        |      |        |       |        |      |          |       |        |       |        |       |        |       |        |       |        |       |        |       |        |       |        |       |        |       |        |       |          |      |       |       |          |      |        |       |        |       |        |       |        |       |        |       |        |       |          |       |          |       |        |      |       |       |        |      |        |       |        |      |          |      |        |       |          |       |        |       |        |       |        |       |        |       |       |       |       |       |        |       |          |       |          |       |          |       |        |       |          |      |        |       |        |       |       |       |        |       |          |       |       |       |       |       |      |       |        |       |      |       |       |       |      |       |       |       |      |       |      |       |      |       |      |      |      |       |      |       |      |       |      |       |      |       |      |       |      |       |      |       |      |      |      |       |      |       |      |       |      |       |      |       |      |       |      |       |      |       |      |      |      |       |      |      |      |       |      |      |      |       |      |      |      |      |      |      |      |      |      |      |     |      |      |      |     |      |      |      |     |      |      |      |     |      |     |      |
| 1.2           | 7807       | 1169     | 2.2                    | 1.5         | 6364    | 953           | 2.7        | 1.7      | 5643                   | 845         | 3.0     | 3.1      | 2978  | 446    | 5.7  | 4.7     | 2010  | 301      | 8.4  | 0.68    | 13717 | 2054   | 0.82  | 0.78     | 12007 | 1798   | 0.94  | 0.86   | 10812 | 1619   | 1.04  | 1.0    | 9356  | 1401   | 1.21  | 1.1    | 8214  | 1230   | 1.37  | 1.3      | 7246  | 1085   | 1.56  | 1.1    | 8301  | 1243     | 0.89  | 1.3    | 7259  | 1087   | 1.02  | 1.5      | 6344  | 950    | 1.16  | 1.7    | 5570  | 834      | 1.32  | 1.9    | 4915  | 736    | 1.50  | 2.2      | 4274  | 640    | 1.72  |          |       |        |       |        |       |          |       |        |       |        |       |          |       |          |      |        |      |        |       |        |      |        |       |        |       |        |       |        |       |        |       |        |       |          |       |        |       |        |       |          |      |        |       |        |       |          |      |          |      |        |       |        |       |          |       |        |       |          |       |        |       |          |       |        |       |        |       |        |       |        |       |        |       |        |       |        |       |          |       |        |       |          |       |        |       |        |       |        |       |          |       |          |       |        |       |        |       |        |       |        |       |        |       |        |       |        |       |        |      |          |      |        |       |        |      |        |       |        |       |          |       |        |       |        |       |       |       |        |       |        |       |        |       |        |       |        |       |        |       |        |       |        |       |          |       |          |      |          |      |          |      |        |      |        |       |        |      |          |       |        |       |        |       |        |       |        |       |        |       |        |       |        |       |        |       |        |       |        |       |          |      |       |       |          |      |        |       |        |       |        |       |        |       |        |       |        |       |          |       |          |       |        |      |       |       |        |      |        |       |        |      |          |      |        |       |          |       |        |       |        |       |        |       |        |       |       |       |       |       |        |       |          |       |          |       |          |       |        |       |          |      |        |       |        |       |       |       |        |       |          |       |       |       |       |       |      |       |        |       |      |       |       |       |      |       |       |       |      |       |      |       |      |       |      |      |      |       |      |       |      |       |      |       |      |       |      |       |      |       |      |       |      |      |      |       |      |       |      |       |      |       |      |       |      |       |      |       |      |       |      |      |      |       |      |      |      |       |      |      |      |       |      |      |      |      |      |      |      |      |      |      |     |      |      |      |     |      |      |      |     |      |      |      |     |      |     |      |
| 1.5           | 6364       | 953      | 2.7                    | 1.7         | 5643    | 845           | 3.0        | 3.1      | 2978                   | 446         | 5.7     | 4.7      | 2010  | 301    | 8.4  | 0.68    | 13717 | 2054     | 0.82 | 0.78    | 12007 | 1798   | 0.94  | 0.86     | 10812 | 1619   | 1.04  | 1.0    | 9356  | 1401   | 1.21  | 1.1    | 8214  | 1230   | 1.37  | 1.3    | 7246  | 1085   | 1.56  | 1.1      | 8301  | 1243   | 0.89  | 1.3    | 7259  | 1087     | 1.02  | 1.5    | 6344  | 950    | 1.16  | 1.7      | 5570  | 834    | 1.32  | 1.9    | 4915  | 736      | 1.50  | 2.2    | 4274  | 640    | 1.72  |          |       |        |       |          |       |        |       |        |       |          |       |        |       |        |       |          |       |          |      |        |      |        |       |        |      |        |       |        |       |        |       |        |       |        |       |        |       |          |       |        |       |        |       |          |      |        |       |        |       |          |      |          |      |        |       |        |       |          |       |        |       |          |       |        |       |          |       |        |       |        |       |        |       |        |       |        |       |        |       |        |       |          |       |        |       |          |       |        |       |        |       |        |       |          |       |          |       |        |       |        |       |        |       |        |       |        |       |        |       |        |       |        |      |          |      |        |       |        |      |        |       |        |       |          |       |        |       |        |       |       |       |        |       |        |       |        |       |        |       |        |       |        |       |        |       |        |       |          |       |          |      |          |      |          |      |        |      |        |       |        |      |          |       |        |       |        |       |        |       |        |       |        |       |        |       |        |       |        |       |        |       |        |       |          |      |       |       |          |      |        |       |        |       |        |       |        |       |        |       |        |       |          |       |          |       |        |      |       |       |        |      |        |       |        |      |          |      |        |       |          |       |        |       |        |       |        |       |        |       |       |       |       |       |        |       |          |       |          |       |          |       |        |       |          |      |        |       |        |       |       |       |        |       |          |       |       |       |       |       |      |       |        |       |      |       |       |       |      |       |       |       |      |       |      |       |      |       |      |      |      |       |      |       |      |       |      |       |      |       |      |       |      |       |      |       |      |      |      |       |      |       |      |       |      |       |      |       |      |       |      |       |      |       |      |      |      |       |      |      |      |       |      |      |      |       |      |      |      |      |      |      |      |      |      |      |     |      |      |      |     |      |      |      |     |      |      |      |     |      |     |      |
| 1.7           | 5643       | 845      | 3.0                    | 3.1         | 2978    | 446           | 5.7        | 4.7      | 2010                   | 301         | 8.4     | 0.68     | 13717 | 2054   | 0.82 | 0.78    | 12007 | 1798     | 0.94 | 0.86    | 10812 | 1619   | 1.04  | 1.0      | 9356  | 1401   | 1.21  | 1.1    | 8214  | 1230   | 1.37  | 1.3    | 7246  | 1085   | 1.56  | 1.1    | 8301  | 1243   | 0.89  | 1.3      | 7259  | 1087   | 1.02  | 1.5    | 6344  | 950      | 1.16  | 1.7    | 5570  | 834    | 1.32  | 1.9      | 4915  | 736    | 1.50  | 2.2    | 4274  | 640      | 1.72  |        |       |        |       |          |       |        |       |          |       |        |       |        |       |          |       |        |       |        |       |          |       |          |      |        |      |        |       |        |      |        |       |        |       |        |       |        |       |        |       |        |       |          |       |        |       |        |       |          |      |        |       |        |       |          |      |          |      |        |       |        |       |          |       |        |       |          |       |        |       |          |       |        |       |        |       |        |       |        |       |        |       |        |       |        |       |          |       |        |       |          |       |        |       |        |       |        |       |          |       |          |       |        |       |        |       |        |       |        |       |        |       |        |       |        |       |        |      |          |      |        |       |        |      |        |       |        |       |          |       |        |       |        |       |       |       |        |       |        |       |        |       |        |       |        |       |        |       |        |       |        |       |          |       |          |      |          |      |          |      |        |      |        |       |        |      |          |       |        |       |        |       |        |       |        |       |        |       |        |       |        |       |        |       |        |       |        |       |          |      |       |       |          |      |        |       |        |       |        |       |        |       |        |       |        |       |          |       |          |       |        |      |       |       |        |      |        |       |        |      |          |      |        |       |          |       |        |       |        |       |        |       |        |       |       |       |       |       |        |       |          |       |          |       |          |       |        |       |          |      |        |       |        |       |       |       |        |       |          |       |       |       |       |       |      |       |        |       |      |       |       |       |      |       |       |       |      |       |      |       |      |       |      |      |      |       |      |       |      |       |      |       |      |       |      |       |      |       |      |       |      |      |      |       |      |       |      |       |      |       |      |       |      |       |      |       |      |       |      |      |      |       |      |      |      |       |      |      |      |       |      |      |      |      |      |      |      |      |      |      |     |      |      |      |     |      |      |      |     |      |      |      |     |      |     |      |
| 3.1           | 2978       | 446      | 5.7                    | 4.7         | 2010    | 301           | 8.4        | 0.68     | 13717                  | 2054        | 0.82    | 0.78     | 12007 | 1798   | 0.94 | 0.86    | 10812 | 1619     | 1.04 | 1.0     | 9356  | 1401   | 1.21  | 1.1      | 8214  | 1230   | 1.37  | 1.3    | 7246  | 1085   | 1.56  | 1.1    | 8301  | 1243   | 0.89  | 1.3    | 7259  | 1087   | 1.02  | 1.5      | 6344  | 950    | 1.16  | 1.7    | 5570  | 834      | 1.32  | 1.9    | 4915  | 736    | 1.50  | 2.2      | 4274  | 640    | 1.72  |        |       |          |       |        |       |        |       |          |       |        |       |          |       |        |       |        |       |          |       |        |       |        |       |          |       |          |      |        |      |        |       |        |      |        |       |        |       |        |       |        |       |        |       |        |       |          |       |        |       |        |       |          |      |        |       |        |       |          |      |          |      |        |       |        |       |          |       |        |       |          |       |        |       |          |       |        |       |        |       |        |       |        |       |        |       |        |       |        |       |          |       |        |       |          |       |        |       |        |       |        |       |          |       |          |       |        |       |        |       |        |       |        |       |        |       |        |       |        |       |        |      |          |      |        |       |        |      |        |       |        |       |          |       |        |       |        |       |       |       |        |       |        |       |        |       |        |       |        |       |        |       |        |       |        |       |          |       |          |      |          |      |          |      |        |      |        |       |        |      |          |       |        |       |        |       |        |       |        |       |        |       |        |       |        |       |        |       |        |       |        |       |          |      |       |       |          |      |        |       |        |       |        |       |        |       |        |       |        |       |          |       |          |       |        |      |       |       |        |      |        |       |        |      |          |      |        |       |          |       |        |       |        |       |        |       |        |       |       |       |       |       |        |       |          |       |          |       |          |       |        |       |          |      |        |       |        |       |       |       |        |       |          |       |       |       |       |       |      |       |        |       |      |       |       |       |      |       |       |       |      |       |      |       |      |       |      |      |      |       |      |       |      |       |      |       |      |       |      |       |      |       |      |       |      |      |      |       |      |       |      |       |      |       |      |       |      |       |      |       |      |       |      |      |      |       |      |      |      |       |      |      |      |       |      |      |      |      |      |      |      |      |      |      |     |      |      |      |     |      |      |      |     |      |      |      |     |      |     |      |
| 4.7           | 2010       | 301      | 8.4                    | 0.68        | 13717   | 2054          | 0.82       | 0.78     | 12007                  | 1798        | 0.94    | 0.86     | 10812 | 1619   | 1.04 | 1.0     | 9356  | 1401     | 1.21 | 1.1     | 8214  | 1230   | 1.37  | 1.3      | 7246  | 1085   | 1.56  | 1.1    | 8301  | 1243   | 0.89  | 1.3    | 7259  | 1087   | 1.02  | 1.5    | 6344  | 950    | 1.16  | 1.7      | 5570  | 834    | 1.32  | 1.9    | 4915  | 736      | 1.50  | 2.2    | 4274  | 640    | 1.72  |          |       |        |       |        |       |          |       |        |       |        |       |          |       |        |       |          |       |        |       |        |       |          |       |        |       |        |       |          |       |          |      |        |      |        |       |        |      |        |       |        |       |        |       |        |       |        |       |        |       |          |       |        |       |        |       |          |      |        |       |        |       |          |      |          |      |        |       |        |       |          |       |        |       |          |       |        |       |          |       |        |       |        |       |        |       |        |       |        |       |        |       |        |       |          |       |        |       |          |       |        |       |        |       |        |       |          |       |          |       |        |       |        |       |        |       |        |       |        |       |        |       |        |       |        |      |          |      |        |       |        |      |        |       |        |       |          |       |        |       |        |       |       |       |        |       |        |       |        |       |        |       |        |       |        |       |        |       |        |       |          |       |          |      |          |      |          |      |        |      |        |       |        |      |          |       |        |       |        |       |        |       |        |       |        |       |        |       |        |       |        |       |        |       |        |       |          |      |       |       |          |      |        |       |        |       |        |       |        |       |        |       |        |       |          |       |          |       |        |      |       |       |        |      |        |       |        |      |          |      |        |       |          |       |        |       |        |       |        |       |        |       |       |       |       |       |        |       |          |       |          |       |          |       |        |       |          |      |        |       |        |       |       |       |        |       |          |       |       |       |       |       |      |       |        |       |      |       |       |       |      |       |       |       |      |       |      |       |      |       |      |      |      |       |      |       |      |       |      |       |      |       |      |       |      |       |      |       |      |      |      |       |      |       |      |       |      |       |      |       |      |       |      |       |      |       |      |      |      |       |      |      |      |       |      |      |      |       |      |      |      |      |      |      |      |      |      |      |     |      |      |      |     |      |      |      |     |      |      |      |     |      |     |      |
| 0.68          | 13717      | 2054     | 0.82                   | 0.78        | 12007   | 1798          | 0.94       | 0.86     | 10812                  | 1619        | 1.04    | 1.0      | 9356  | 1401   | 1.21 | 1.1     | 8214  | 1230     | 1.37 | 1.3     | 7246  | 1085   | 1.56  | 1.1      | 8301  | 1243   | 0.89  | 1.3    | 7259  | 1087   | 1.02  | 1.5    | 6344  | 950    | 1.16  | 1.7    | 5570  | 834    | 1.32  | 1.9      | 4915  | 736    | 1.50  | 2.2    | 4274  | 640      | 1.72  |        |       |        |       |          |       |        |       |        |       |          |       |        |       |        |       |          |       |        |       |          |       |        |       |        |       |          |       |        |       |        |       |          |       |          |      |        |      |        |       |        |      |        |       |        |       |        |       |        |       |        |       |        |       |          |       |        |       |        |       |          |      |        |       |        |       |          |      |          |      |        |       |        |       |          |       |        |       |          |       |        |       |          |       |        |       |        |       |        |       |        |       |        |       |        |       |        |       |          |       |        |       |          |       |        |       |        |       |        |       |          |       |          |       |        |       |        |       |        |       |        |       |        |       |        |       |        |       |        |      |          |      |        |       |        |      |        |       |        |       |          |       |        |       |        |       |       |       |        |       |        |       |        |       |        |       |        |       |        |       |        |       |        |       |          |       |          |      |          |      |          |      |        |      |        |       |        |      |          |       |        |       |        |       |        |       |        |       |        |       |        |       |        |       |        |       |        |       |        |       |          |      |       |       |          |      |        |       |        |       |        |       |        |       |        |       |        |       |          |       |          |       |        |      |       |       |        |      |        |       |        |      |          |      |        |       |          |       |        |       |        |       |        |       |        |       |       |       |       |       |        |       |          |       |          |       |          |       |        |       |          |      |        |       |        |       |       |       |        |       |          |       |       |       |       |       |      |       |        |       |      |       |       |       |      |       |       |       |      |       |      |       |      |       |      |      |      |       |      |       |      |       |      |       |      |       |      |       |      |       |      |       |      |      |      |       |      |       |      |       |      |       |      |       |      |       |      |       |      |       |      |      |      |       |      |      |      |       |      |      |      |       |      |      |      |      |      |      |      |      |      |      |     |      |      |      |     |      |      |      |     |      |      |      |     |      |     |      |
| 0.78          | 12007      | 1798     | 0.94                   | 0.86        | 10812   | 1619          | 1.04       | 1.0      | 9356                   | 1401        | 1.21    | 1.1      | 8214  | 1230   | 1.37 | 1.3     | 7246  | 1085     | 1.56 | 1.1     | 8301  | 1243   | 0.89  | 1.3      | 7259  | 1087   | 1.02  | 1.5    | 6344  | 950    | 1.16  | 1.7    | 5570  | 834    | 1.32  | 1.9    | 4915  | 736    | 1.50  | 2.2      | 4274  | 640    | 1.72  |        |       |          |       |        |       |        |       |          |       |        |       |        |       |          |       |        |       |        |       |          |       |        |       |          |       |        |       |        |       |          |       |        |       |        |       |          |       |          |      |        |      |        |       |        |      |        |       |        |       |        |       |        |       |        |       |        |       |          |       |        |       |        |       |          |      |        |       |        |       |          |      |          |      |        |       |        |       |          |       |        |       |          |       |        |       |          |       |        |       |        |       |        |       |        |       |        |       |        |       |        |       |          |       |        |       |          |       |        |       |        |       |        |       |          |       |          |       |        |       |        |       |        |       |        |       |        |       |        |       |        |       |        |      |          |      |        |       |        |      |        |       |        |       |          |       |        |       |        |       |       |       |        |       |        |       |        |       |        |       |        |       |        |       |        |       |        |       |          |       |          |      |          |      |          |      |        |      |        |       |        |      |          |       |        |       |        |       |        |       |        |       |        |       |        |       |        |       |        |       |        |       |        |       |          |      |       |       |          |      |        |       |        |       |        |       |        |       |        |       |        |       |          |       |          |       |        |      |       |       |        |      |        |       |        |      |          |      |        |       |          |       |        |       |        |       |        |       |        |       |       |       |       |       |        |       |          |       |          |       |          |       |        |       |          |      |        |       |        |       |       |       |        |       |          |       |       |       |       |       |      |       |        |       |      |       |       |       |      |       |       |       |      |       |      |       |      |       |      |      |      |       |      |       |      |       |      |       |      |       |      |       |      |       |      |       |      |      |      |       |      |       |      |       |      |       |      |       |      |       |      |       |      |       |      |      |      |       |      |      |      |       |      |      |      |       |      |      |      |      |      |      |      |      |      |      |     |      |      |      |     |      |      |      |     |      |      |      |     |      |     |      |
| 0.86          | 10812      | 1619     | 1.04                   | 1.0         | 9356    | 1401          | 1.21       | 1.1      | 8214                   | 1230        | 1.37    | 1.3      | 7246  | 1085   | 1.56 | 1.1     | 8301  | 1243     | 0.89 | 1.3     | 7259  | 1087   | 1.02  | 1.5      | 6344  | 950    | 1.16  | 1.7    | 5570  | 834    | 1.32  | 1.9    | 4915  | 736    | 1.50  | 2.2    | 4274  | 640    | 1.72  |          |       |        |       |        |       |          |       |        |       |        |       |          |       |        |       |        |       |          |       |        |       |        |       |          |       |        |       |          |       |        |       |        |       |          |       |        |       |        |       |          |       |          |      |        |      |        |       |        |      |        |       |        |       |        |       |        |       |        |       |        |       |          |       |        |       |        |       |          |      |        |       |        |       |          |      |          |      |        |       |        |       |          |       |        |       |          |       |        |       |          |       |        |       |        |       |        |       |        |       |        |       |        |       |        |       |          |       |        |       |          |       |        |       |        |       |        |       |          |       |          |       |        |       |        |       |        |       |        |       |        |       |        |       |        |       |        |      |          |      |        |       |        |      |        |       |        |       |          |       |        |       |        |       |       |       |        |       |        |       |        |       |        |       |        |       |        |       |        |       |        |       |          |       |          |      |          |      |          |      |        |      |        |       |        |      |          |       |        |       |        |       |        |       |        |       |        |       |        |       |        |       |        |       |        |       |        |       |          |      |       |       |          |      |        |       |        |       |        |       |        |       |        |       |        |       |          |       |          |       |        |      |       |       |        |      |        |       |        |      |          |      |        |       |          |       |        |       |        |       |        |       |        |       |       |       |       |       |        |       |          |       |          |       |          |       |        |       |          |      |        |       |        |       |       |       |        |       |          |       |       |       |       |       |      |       |        |       |      |       |       |       |      |       |       |       |      |       |      |       |      |       |      |      |      |       |      |       |      |       |      |       |      |       |      |       |      |       |      |       |      |      |      |       |      |       |      |       |      |       |      |       |      |       |      |       |      |       |      |      |      |       |      |      |      |       |      |      |      |       |      |      |      |      |      |      |      |      |      |      |     |      |      |      |     |      |      |      |     |      |      |      |     |      |     |      |
| 1.0           | 9356       | 1401     | 1.21                   | 1.1         | 8214    | 1230          | 1.37       | 1.3      | 7246                   | 1085        | 1.56    | 1.1      | 8301  | 1243   | 0.89 | 1.3     | 7259  | 1087     | 1.02 | 1.5     | 6344  | 950    | 1.16  | 1.7      | 5570  | 834    | 1.32  | 1.9    | 4915  | 736    | 1.50  | 2.2    | 4274  | 640    | 1.72  |        |       |        |       |          |       |        |       |        |       |          |       |        |       |        |       |          |       |        |       |        |       |          |       |        |       |        |       |          |       |        |       |          |       |        |       |        |       |          |       |        |       |        |       |          |       |          |      |        |      |        |       |        |      |        |       |        |       |        |       |        |       |        |       |        |       |          |       |        |       |        |       |          |      |        |       |        |       |          |      |          |      |        |       |        |       |          |       |        |       |          |       |        |       |          |       |        |       |        |       |        |       |        |       |        |       |        |       |        |       |          |       |        |       |          |       |        |       |        |       |        |       |          |       |          |       |        |       |        |       |        |       |        |       |        |       |        |       |        |       |        |      |          |      |        |       |        |      |        |       |        |       |          |       |        |       |        |       |       |       |        |       |        |       |        |       |        |       |        |       |        |       |        |       |        |       |          |       |          |      |          |      |          |      |        |      |        |       |        |      |          |       |        |       |        |       |        |       |        |       |        |       |        |       |        |       |        |       |        |       |        |       |          |      |       |       |          |      |        |       |        |       |        |       |        |       |        |       |        |       |          |       |          |       |        |      |       |       |        |      |        |       |        |      |          |      |        |       |          |       |        |       |        |       |        |       |        |       |       |       |       |       |        |       |          |       |          |       |          |       |        |       |          |      |        |       |        |       |       |       |        |       |          |       |       |       |       |       |      |       |        |       |      |       |       |       |      |       |       |       |      |       |      |       |      |       |      |      |      |       |      |       |      |       |      |       |      |       |      |       |      |       |      |       |      |      |      |       |      |       |      |       |      |       |      |       |      |       |      |       |      |       |      |      |      |       |      |      |      |       |      |      |      |       |      |      |      |      |      |      |      |      |      |      |     |      |      |      |     |      |      |      |     |      |      |      |     |      |     |      |
| 1.1           | 8214       | 1230     | 1.37                   | 1.3         | 7246    | 1085          | 1.56       | 1.1      | 8301                   | 1243        | 0.89    | 1.3      | 7259  | 1087   | 1.02 | 1.5     | 6344  | 950      | 1.16 | 1.7     | 5570  | 834    | 1.32  | 1.9      | 4915  | 736    | 1.50  | 2.2    | 4274  | 640    | 1.72  |        |       |        |       |        |       |        |       |          |       |        |       |        |       |          |       |        |       |        |       |          |       |        |       |        |       |          |       |        |       |        |       |          |       |        |       |          |       |        |       |        |       |          |       |        |       |        |       |          |       |          |      |        |      |        |       |        |      |        |       |        |       |        |       |        |       |        |       |        |       |          |       |        |       |        |       |          |      |        |       |        |       |          |      |          |      |        |       |        |       |          |       |        |       |          |       |        |       |          |       |        |       |        |       |        |       |        |       |        |       |        |       |        |       |          |       |        |       |          |       |        |       |        |       |        |       |          |       |          |       |        |       |        |       |        |       |        |       |        |       |        |       |        |       |        |      |          |      |        |       |        |      |        |       |        |       |          |       |        |       |        |       |       |       |        |       |        |       |        |       |        |       |        |       |        |       |        |       |        |       |          |       |          |      |          |      |          |      |        |      |        |       |        |      |          |       |        |       |        |       |        |       |        |       |        |       |        |       |        |       |        |       |        |       |        |       |          |      |       |       |          |      |        |       |        |       |        |       |        |       |        |       |        |       |          |       |          |       |        |      |       |       |        |      |        |       |        |      |          |      |        |       |          |       |        |       |        |       |        |       |        |       |       |       |       |       |        |       |          |       |          |       |          |       |        |       |          |      |        |       |        |       |       |       |        |       |          |       |       |       |       |       |      |       |        |       |      |       |       |       |      |       |       |       |      |       |      |       |      |       |      |      |      |       |      |       |      |       |      |       |      |       |      |       |      |       |      |       |      |      |      |       |      |       |      |       |      |       |      |       |      |       |      |       |      |       |      |      |      |       |      |      |      |       |      |      |      |       |      |      |      |      |      |      |      |      |      |      |     |      |      |      |     |      |      |      |     |      |      |      |     |      |     |      |
| 1.3           | 7246       | 1085     | 1.56                   | 1.1         | 8301    | 1243          | 0.89       | 1.3      | 7259                   | 1087        | 1.02    | 1.5      | 6344  | 950    | 1.16 | 1.7     | 5570  | 834      | 1.32 | 1.9     | 4915  | 736    | 1.50  | 2.2      | 4274  | 640    | 1.72  |        |       |        |       |        |       |        |       |        |       |        |       |          |       |        |       |        |       |          |       |        |       |        |       |          |       |        |       |        |       |          |       |        |       |        |       |          |       |        |       |          |       |        |       |        |       |          |       |        |       |        |       |          |       |          |      |        |      |        |       |        |      |        |       |        |       |        |       |        |       |        |       |        |       |          |       |        |       |        |       |          |      |        |       |        |       |          |      |          |      |        |       |        |       |          |       |        |       |          |       |        |       |          |       |        |       |        |       |        |       |        |       |        |       |        |       |        |       |          |       |        |       |          |       |        |       |        |       |        |       |          |       |          |       |        |       |        |       |        |       |        |       |        |       |        |       |        |       |        |      |          |      |        |       |        |      |        |       |        |       |          |       |        |       |        |       |       |       |        |       |        |       |        |       |        |       |        |       |        |       |        |       |        |       |          |       |          |      |          |      |          |      |        |      |        |       |        |      |          |       |        |       |        |       |        |       |        |       |        |       |        |       |        |       |        |       |        |       |        |       |          |      |       |       |          |      |        |       |        |       |        |       |        |       |        |       |        |       |          |       |          |       |        |      |       |       |        |      |        |       |        |      |          |      |        |       |          |       |        |       |        |       |        |       |        |       |       |       |       |       |        |       |          |       |          |       |          |       |        |       |          |      |        |       |        |       |       |       |        |       |          |       |       |       |       |       |      |       |        |       |      |       |       |       |      |       |       |       |      |       |      |       |      |       |      |      |      |       |      |       |      |       |      |       |      |       |      |       |      |       |      |       |      |      |      |       |      |       |      |       |      |       |      |       |      |       |      |       |      |       |      |      |      |       |      |      |      |       |      |      |      |       |      |      |      |      |      |      |      |      |      |      |     |      |      |      |     |      |      |      |     |      |      |      |     |      |     |      |
| 1.1           | 8301       | 1243     | 0.89                   | 1.3         | 7259    | 1087          | 1.02       | 1.5      | 6344                   | 950         | 1.16    | 1.7      | 5570  | 834    | 1.32 | 1.9     | 4915  | 736      | 1.50 | 2.2     | 4274  | 640    | 1.72  |          |       |        |       |        |       |        |       |        |       |        |       |        |       |        |       |          |       |        |       |        |       |          |       |        |       |        |       |          |       |        |       |        |       |          |       |        |       |        |       |          |       |        |       |          |       |        |       |        |       |          |       |        |       |        |       |          |       |          |      |        |      |        |       |        |      |        |       |        |       |        |       |        |       |        |       |        |       |          |       |        |       |        |       |          |      |        |       |        |       |          |      |          |      |        |       |        |       |          |       |        |       |          |       |        |       |          |       |        |       |        |       |        |       |        |       |        |       |        |       |        |       |          |       |        |       |          |       |        |       |        |       |        |       |          |       |          |       |        |       |        |       |        |       |        |       |        |       |        |       |        |       |        |      |          |      |        |       |        |      |        |       |        |       |          |       |        |       |        |       |       |       |        |       |        |       |        |       |        |       |        |       |        |       |        |       |        |       |          |       |          |      |          |      |          |      |        |      |        |       |        |      |          |       |        |       |        |       |        |       |        |       |        |       |        |       |        |       |        |       |        |       |        |       |          |      |       |       |          |      |        |       |        |       |        |       |        |       |        |       |        |       |          |       |          |       |        |      |       |       |        |      |        |       |        |      |          |      |        |       |          |       |        |       |        |       |        |       |        |       |       |       |       |       |        |       |          |       |          |       |          |       |        |       |          |      |        |       |        |       |       |       |        |       |          |       |       |       |       |       |      |       |        |       |      |       |       |       |      |       |       |       |      |       |      |       |      |       |      |      |      |       |      |       |      |       |      |       |      |       |      |       |      |       |      |       |      |      |      |       |      |       |      |       |      |       |      |       |      |       |      |       |      |       |      |      |      |       |      |      |      |       |      |      |      |       |      |      |      |      |      |      |      |      |      |      |     |      |      |      |     |      |      |      |     |      |      |      |     |      |     |      |
| 1.3           | 7259       | 1087     | 1.02                   | 1.5         | 6344    | 950           | 1.16       | 1.7      | 5570                   | 834         | 1.32    | 1.9      | 4915  | 736    | 1.50 | 2.2     | 4274  | 640      | 1.72 |         |       |        |       |          |       |        |       |        |       |        |       |        |       |        |       |        |       |        |       |          |       |        |       |        |       |          |       |        |       |        |       |          |       |        |       |        |       |          |       |        |       |        |       |          |       |        |       |          |       |        |       |        |       |          |       |        |       |        |       |          |       |          |      |        |      |        |       |        |      |        |       |        |       |        |       |        |       |        |       |        |       |          |       |        |       |        |       |          |      |        |       |        |       |          |      |          |      |        |       |        |       |          |       |        |       |          |       |        |       |          |       |        |       |        |       |        |       |        |       |        |       |        |       |        |       |          |       |        |       |          |       |        |       |        |       |        |       |          |       |          |       |        |       |        |       |        |       |        |       |        |       |        |       |        |       |        |      |          |      |        |       |        |      |        |       |        |       |          |       |        |       |        |       |       |       |        |       |        |       |        |       |        |       |        |       |        |       |        |       |        |       |          |       |          |      |          |      |          |      |        |      |        |       |        |      |          |       |        |       |        |       |        |       |        |       |        |       |        |       |        |       |        |       |        |       |        |       |          |      |       |       |          |      |        |       |        |       |        |       |        |       |        |       |        |       |          |       |          |       |        |      |       |       |        |      |        |       |        |      |          |      |        |       |          |       |        |       |        |       |        |       |        |       |       |       |       |       |        |       |          |       |          |       |          |       |        |       |          |      |        |       |        |       |       |       |        |       |          |       |       |       |       |       |      |       |        |       |      |       |       |       |      |       |       |       |      |       |      |       |      |       |      |      |      |       |      |       |      |       |      |       |      |       |      |       |      |       |      |       |      |      |      |       |      |       |      |       |      |       |      |       |      |       |      |       |      |       |      |      |      |       |      |      |      |       |      |      |      |       |      |      |      |      |      |      |      |      |      |      |     |      |      |      |     |      |      |      |     |      |      |      |     |      |     |      |
| 1.5           | 6344       | 950      | 1.16                   | 1.7         | 5570    | 834           | 1.32       | 1.9      | 4915                   | 736         | 1.50    | 2.2      | 4274  | 640    | 1.72 |         |       |          |      |         |       |        |       |          |       |        |       |        |       |        |       |        |       |        |       |        |       |        |       |          |       |        |       |        |       |          |       |        |       |        |       |          |       |        |       |        |       |          |       |        |       |        |       |          |       |        |       |          |       |        |       |        |       |          |       |        |       |        |       |          |       |          |      |        |      |        |       |        |      |        |       |        |       |        |       |        |       |        |       |        |       |          |       |        |       |        |       |          |      |        |       |        |       |          |      |          |      |        |       |        |       |          |       |        |       |          |       |        |       |          |       |        |       |        |       |        |       |        |       |        |       |        |       |        |       |          |       |        |       |          |       |        |       |        |       |        |       |          |       |          |       |        |       |        |       |        |       |        |       |        |       |        |       |        |       |        |      |          |      |        |       |        |      |        |       |        |       |          |       |        |       |        |       |       |       |        |       |        |       |        |       |        |       |        |       |        |       |        |       |        |       |          |       |          |      |          |      |          |      |        |      |        |       |        |      |          |       |        |       |        |       |        |       |        |       |        |       |        |       |        |       |        |       |        |       |        |       |          |      |       |       |          |      |        |       |        |       |        |       |        |       |        |       |        |       |          |       |          |       |        |      |       |       |        |      |        |       |        |      |          |      |        |       |          |       |        |       |        |       |        |       |        |       |       |       |       |       |        |       |          |       |          |       |          |       |        |       |          |      |        |       |        |       |       |       |        |       |          |       |       |       |       |       |      |       |        |       |      |       |       |       |      |       |       |       |      |       |      |       |      |       |      |      |      |       |      |       |      |       |      |       |      |       |      |       |      |       |      |       |      |      |      |       |      |       |      |       |      |       |      |       |      |       |      |       |      |       |      |      |      |       |      |      |      |       |      |      |      |       |      |      |      |      |      |      |      |      |      |      |     |      |      |      |     |      |      |      |     |      |      |      |     |      |     |      |
| 1.7           | 5570       | 834      | 1.32                   | 1.9         | 4915    | 736           | 1.50       | 2.2      | 4274                   | 640         | 1.72    |          |       |        |      |         |       |          |      |         |       |        |       |          |       |        |       |        |       |        |       |        |       |        |       |        |       |        |       |          |       |        |       |        |       |          |       |        |       |        |       |          |       |        |       |        |       |          |       |        |       |        |       |          |       |        |       |          |       |        |       |        |       |          |       |        |       |        |       |          |       |          |      |        |      |        |       |        |      |        |       |        |       |        |       |        |       |        |       |        |       |          |       |        |       |        |       |          |      |        |       |        |       |          |      |          |      |        |       |        |       |          |       |        |       |          |       |        |       |          |       |        |       |        |       |        |       |        |       |        |       |        |       |        |       |          |       |        |       |          |       |        |       |        |       |        |       |          |       |          |       |        |       |        |       |        |       |        |       |        |       |        |       |        |       |        |      |          |      |        |       |        |      |        |       |        |       |          |       |        |       |        |       |       |       |        |       |        |       |        |       |        |       |        |       |        |       |        |       |        |       |          |       |          |      |          |      |          |      |        |      |        |       |        |      |          |       |        |       |        |       |        |       |        |       |        |       |        |       |        |       |        |       |        |       |        |       |          |      |       |       |          |      |        |       |        |       |        |       |        |       |        |       |        |       |          |       |          |       |        |      |       |       |        |      |        |       |        |      |          |      |        |       |          |       |        |       |        |       |        |       |        |       |       |       |       |       |        |       |          |       |          |       |          |       |        |       |          |      |        |       |        |       |       |       |        |       |          |       |       |       |       |       |      |       |        |       |      |       |       |       |      |       |       |       |      |       |      |       |      |       |      |      |      |       |      |       |      |       |      |       |      |       |      |       |      |       |      |       |      |      |      |       |      |       |      |       |      |       |      |       |      |       |      |       |      |       |      |      |      |       |      |      |      |       |      |      |      |       |      |      |      |      |      |      |      |      |      |      |     |      |      |      |     |      |      |      |     |      |      |      |     |      |     |      |
| 1.9           | 4915       | 736      | 1.50                   | 2.2         | 4274    | 640           | 1.72       |          |                        |             |         |          |       |        |      |         |       |          |      |         |       |        |       |          |       |        |       |        |       |        |       |        |       |        |       |        |       |        |       |          |       |        |       |        |       |          |       |        |       |        |       |          |       |        |       |        |       |          |       |        |       |        |       |          |       |        |       |          |       |        |       |        |       |          |       |        |       |        |       |          |       |          |      |        |      |        |       |        |      |        |       |        |       |        |       |        |       |        |       |        |       |          |       |        |       |        |       |          |      |        |       |        |       |          |      |          |      |        |       |        |       |          |       |        |       |          |       |        |       |          |       |        |       |        |       |        |       |        |       |        |       |        |       |        |       |          |       |        |       |          |       |        |       |        |       |        |       |          |       |          |       |        |       |        |       |        |       |        |       |        |       |        |       |        |       |        |      |          |      |        |       |        |      |        |       |        |       |          |       |        |       |        |       |       |       |        |       |        |       |        |       |        |       |        |       |        |       |        |       |        |       |          |       |          |      |          |      |          |      |        |      |        |       |        |      |          |       |        |       |        |       |        |       |        |       |        |       |        |       |        |       |        |       |        |       |        |       |          |      |       |       |          |      |        |       |        |       |        |       |        |       |        |       |        |       |          |       |          |       |        |      |       |       |        |      |        |       |        |      |          |      |        |       |          |       |        |       |        |       |        |       |        |       |       |       |       |       |        |       |          |       |          |       |          |       |        |       |          |      |        |       |        |       |       |       |        |       |          |       |       |       |       |       |      |       |        |       |      |       |       |       |      |       |       |       |      |       |      |       |      |       |      |      |      |       |      |       |      |       |      |       |      |       |      |       |      |       |      |       |      |      |      |       |      |       |      |       |      |       |      |       |      |       |      |       |      |       |      |      |      |       |      |      |      |       |      |      |      |       |      |      |      |      |      |      |      |      |      |      |     |      |      |      |     |      |      |      |     |      |      |      |     |      |     |      |
| 2.2           | 4274       | 640      | 1.72                   |             |         |               |            |          |                        |             |         |          |       |        |      |         |       |          |      |         |       |        |       |          |       |        |       |        |       |        |       |        |       |        |       |        |       |        |       |          |       |        |       |        |       |          |       |        |       |        |       |          |       |        |       |        |       |          |       |        |       |        |       |          |       |        |       |          |       |        |       |        |       |          |       |        |       |        |       |          |       |          |      |        |      |        |       |        |      |        |       |        |       |        |       |        |       |        |       |        |       |          |       |        |       |        |       |          |      |        |       |        |       |          |      |          |      |        |       |        |       |          |       |        |       |          |       |        |       |          |       |        |       |        |       |        |       |        |       |        |       |        |       |        |       |          |       |        |       |          |       |        |       |        |       |        |       |          |       |          |       |        |       |        |       |        |       |        |       |        |       |        |       |        |       |        |      |          |      |        |       |        |      |        |       |        |       |          |       |        |       |        |       |       |       |        |       |        |       |        |       |        |       |        |       |        |       |        |       |        |       |          |       |          |      |          |      |          |      |        |      |        |       |        |      |          |       |        |       |        |       |        |       |        |       |        |       |        |       |        |       |        |       |        |       |        |       |          |      |       |       |          |      |        |       |        |       |        |       |        |       |        |       |        |       |          |       |          |       |        |      |       |       |        |      |        |       |        |      |          |      |        |       |          |       |        |       |        |       |        |       |        |       |       |       |       |       |        |       |          |       |          |       |          |       |        |       |          |      |        |       |        |       |       |       |        |       |          |       |       |       |       |       |      |       |        |       |      |       |       |       |      |       |       |       |      |       |      |       |      |       |      |      |      |       |      |       |      |       |      |       |      |       |      |       |      |       |      |       |      |      |      |       |      |       |      |       |      |       |      |       |      |       |      |       |      |       |      |      |      |       |      |      |      |       |      |      |      |       |      |      |      |      |      |      |      |      |      |      |     |      |      |      |     |      |      |      |     |      |      |      |     |      |     |      |

减速机的外形安装尺寸在95页到101页里查找。The appearance of reducer installation dimensions in 95 to 101 page search page.



| 输出转速<br>r/min | 输出扭矩<br>Nm | 传动比<br>i | 使用系数<br>f <sub>B</sub> | 机型号<br>Type  | 极数<br>p | 输出转速<br>r/min | 输出扭矩<br>Nm | 传动比<br>i     | 使用系数<br>f <sub>B</sub> | 机型号<br>Type  | 极数<br>p |              |       |              |      |              |       |              |      |              |       |              |      |              |       |              |      |              |       |              |      |              |       |              |      |              |       |              |      |              |       |              |      |              |       |              |      |              |       |              |      |              |       |              |      |              |       |              |      |              |       |              |      |              |       |              |      |              |       |              |      |              |       |              |      |              |       |              |      |              |       |              |      |              |       |              |      |              |       |              |      |              |       |              |      |              |       |              |      |              |       |              |      |              |       |              |      |              |       |              |      |        |       |              |      |        |       |        |      |              |       |        |      |        |       |              |       |        |       |       |       |              |       |        |       |        |       |              |       |        |       |        |       |              |       |        |       |        |       |              |       |        |       |        |       |              |       |        |       |        |       |              |       |        |       |        |       |              |       |        |       |        |       |              |       |        |       |        |       |              |       |        |       |        |       |              |       |        |       |              |       |              |       |        |       |              |       |        |       |        |       |              |       |        |       |       |       |              |       |        |       |        |       |              |       |        |       |       |       |              |       |       |       |        |       |              |       |        |       |       |       |              |       |              |       |        |       |        |       |              |       |              |       |        |       |       |       |              |       |              |       |       |       |       |       |              |       |       |       |       |       |              |       |       |       |       |       |              |       |       |       |       |       |              |       |       |       |       |       |              |       |       |       |       |       |              |       |       |       |       |       |              |       |       |       |       |       |              |       |       |       |       |       |              |       |       |       |       |       |              |       |       |       |       |       |              |       |       |       |       |       |              |       |       |       |       |       |              |       |       |       |       |       |              |       |       |       |       |       |              |       |       |       |       |       |              |       |       |       |       |       |              |       |       |       |       |       |              |       |       |       |       |       |              |       |       |       |       |       |              |       |       |       |       |       |              |       |      |       |      |       |              |       |      |       |      |       |              |       |      |       |      |       |              |       |      |       |              |       |              |       |      |       |              |       |              |       |              |       |              |       |              |       |              |       |      |       |      |       |      |       |      |       |      |       |      |       |      |       |      |       |      |       |      |       |      |       |      |       |      |       |      |       |      |       |      |       |      |       |      |       |      |      |      |       |      |       |      |       |      |       |      |       |      |       |      |       |      |       |      |      |      |      |      |      |     |      |     |      |     |      |     |      |     |      |     |      |     |      |     |      |     |      |     |      |     |      |
|---------------|------------|----------|------------------------|--------------|---------|---------------|------------|--------------|------------------------|--------------|---------|--------------|-------|--------------|------|--------------|-------|--------------|------|--------------|-------|--------------|------|--------------|-------|--------------|------|--------------|-------|--------------|------|--------------|-------|--------------|------|--------------|-------|--------------|------|--------------|-------|--------------|------|--------------|-------|--------------|------|--------------|-------|--------------|------|--------------|-------|--------------|------|--------------|-------|--------------|------|--------------|-------|--------------|------|--------------|-------|--------------|------|--------------|-------|--------------|------|--------------|-------|--------------|------|--------------|-------|--------------|------|--------------|-------|--------------|------|--------------|-------|--------------|------|--------------|-------|--------------|------|--------------|-------|--------------|------|--------------|-------|--------------|------|--------------|-------|--------------|------|--------------|-------|--------------|------|--------------|-------|--------------|------|--------|-------|--------------|------|--------|-------|--------|------|--------------|-------|--------|------|--------|-------|--------------|-------|--------|-------|-------|-------|--------------|-------|--------|-------|--------|-------|--------------|-------|--------|-------|--------|-------|--------------|-------|--------|-------|--------|-------|--------------|-------|--------|-------|--------|-------|--------------|-------|--------|-------|--------|-------|--------------|-------|--------|-------|--------|-------|--------------|-------|--------|-------|--------|-------|--------------|-------|--------|-------|--------|-------|--------------|-------|--------|-------|--------|-------|--------------|-------|--------|-------|--------------|-------|--------------|-------|--------|-------|--------------|-------|--------|-------|--------|-------|--------------|-------|--------|-------|-------|-------|--------------|-------|--------|-------|--------|-------|--------------|-------|--------|-------|-------|-------|--------------|-------|-------|-------|--------|-------|--------------|-------|--------|-------|-------|-------|--------------|-------|--------------|-------|--------|-------|--------|-------|--------------|-------|--------------|-------|--------|-------|-------|-------|--------------|-------|--------------|-------|-------|-------|-------|-------|--------------|-------|-------|-------|-------|-------|--------------|-------|-------|-------|-------|-------|--------------|-------|-------|-------|-------|-------|--------------|-------|-------|-------|-------|-------|--------------|-------|-------|-------|-------|-------|--------------|-------|-------|-------|-------|-------|--------------|-------|-------|-------|-------|-------|--------------|-------|-------|-------|-------|-------|--------------|-------|-------|-------|-------|-------|--------------|-------|-------|-------|-------|-------|--------------|-------|-------|-------|-------|-------|--------------|-------|-------|-------|-------|-------|--------------|-------|-------|-------|-------|-------|--------------|-------|-------|-------|-------|-------|--------------|-------|-------|-------|-------|-------|--------------|-------|-------|-------|-------|-------|--------------|-------|-------|-------|-------|-------|--------------|-------|-------|-------|-------|-------|--------------|-------|-------|-------|-------|-------|--------------|-------|-------|-------|-------|-------|--------------|-------|------|-------|------|-------|--------------|-------|------|-------|------|-------|--------------|-------|------|-------|------|-------|--------------|-------|------|-------|--------------|-------|--------------|-------|------|-------|--------------|-------|--------------|-------|--------------|-------|--------------|-------|--------------|-------|--------------|-------|------|-------|------|-------|------|-------|------|-------|------|-------|------|-------|------|-------|------|-------|------|-------|------|-------|------|-------|------|-------|------|-------|------|-------|------|-------|------|-------|------|-------|------|-------|------|------|------|-------|------|-------|------|-------|------|-------|------|-------|------|-------|------|-------|------|-------|------|------|------|------|------|------|-----|------|-----|------|-----|------|-----|------|-----|------|-----|------|-----|------|-----|------|-----|------|-----|------|-----|------|
| <b>1.1kW</b>  |            |          |                        |              |         | <b>1.1kW</b>  |            |              |                        |              |         |              |       |              |      |              |       |              |      |              |       |              |      |              |       |              |      |              |       |              |      |              |       |              |      |              |       |              |      |              |       |              |      |              |       |              |      |              |       |              |      |              |       |              |      |              |       |              |      |              |       |              |      |              |       |              |      |              |       |              |      |              |       |              |      |              |       |              |      |              |       |              |      |              |       |              |      |              |       |              |      |              |       |              |      |              |       |              |      |              |       |              |      |              |       |              |      |              |       |              |      |        |       |              |      |        |       |        |      |              |       |        |      |        |       |              |       |        |       |       |       |              |       |        |       |        |       |              |       |        |       |        |       |              |       |        |       |        |       |              |       |        |       |        |       |              |       |        |       |        |       |              |       |        |       |        |       |              |       |        |       |        |       |              |       |        |       |        |       |              |       |        |       |        |       |              |       |        |       |              |       |              |       |        |       |              |       |        |       |        |       |              |       |        |       |       |       |              |       |        |       |        |       |              |       |        |       |       |       |              |       |       |       |        |       |              |       |        |       |       |       |              |       |              |       |        |       |        |       |              |       |              |       |        |       |       |       |              |       |              |       |       |       |       |       |              |       |       |       |       |       |              |       |       |       |       |       |              |       |       |       |       |       |              |       |       |       |       |       |              |       |       |       |       |       |              |       |       |       |       |       |              |       |       |       |       |       |              |       |       |       |       |       |              |       |       |       |       |       |              |       |       |       |       |       |              |       |       |       |       |       |              |       |       |       |       |       |              |       |       |       |       |       |              |       |       |       |       |       |              |       |       |       |       |       |              |       |       |       |       |       |              |       |       |       |       |       |              |       |       |       |       |       |              |       |       |       |       |       |              |       |       |       |       |       |              |       |      |       |      |       |              |       |      |       |      |       |              |       |      |       |      |       |              |       |      |       |              |       |              |       |      |       |              |       |              |       |              |       |              |       |              |       |              |       |      |       |      |       |      |       |      |       |      |       |      |       |      |       |      |       |      |       |      |       |      |       |      |       |      |       |      |       |      |       |      |       |      |       |      |       |      |      |      |       |      |       |      |       |      |       |      |       |      |       |      |       |      |       |      |      |      |      |      |      |     |      |     |      |     |      |     |      |     |      |     |      |     |      |     |      |     |      |     |      |     |      |
| 2.0           | 4675       | 700      | 0.86                   | F 97R57      | 4       | 17            | 589        | 83.46        | 0.96                   | F 57         | 4       |              |       |              |      |              |       |              |      |              |       |              |      |              |       |              |      |              |       |              |      |              |       |              |      |              |       |              |      |              |       |              |      |              |       |              |      |              |       |              |      |              |       |              |      |              |       |              |      |              |       |              |      |              |       |              |      |              |       |              |      |              |       |              |      |              |       |              |      |              |       |              |      |              |       |              |      |              |       |              |      |              |       |              |      |              |       |              |      |              |       |              |      |              |       |              |      |              |       |              |      |        |       |              |      |        |       |        |      |              |       |        |      |        |       |              |       |        |       |       |       |              |       |        |       |        |       |              |       |        |       |        |       |              |       |        |       |        |       |              |       |        |       |        |       |              |       |        |       |        |       |              |       |        |       |        |       |              |       |        |       |        |       |              |       |        |       |        |       |              |       |        |       |        |       |              |       |        |       |              |       |              |       |        |       |              |       |        |       |        |       |              |       |        |       |       |       |              |       |        |       |        |       |              |       |        |       |       |       |              |       |       |       |        |       |              |       |        |       |       |       |              |       |              |       |        |       |        |       |              |       |              |       |        |       |       |       |              |       |              |       |       |       |       |       |              |       |       |       |       |       |              |       |       |       |       |       |              |       |       |       |       |       |              |       |       |       |       |       |              |       |       |       |       |       |              |       |       |       |       |       |              |       |       |       |       |       |              |       |       |       |       |       |              |       |       |       |       |       |              |       |       |       |       |       |              |       |       |       |       |       |              |       |       |       |       |       |              |       |       |       |       |       |              |       |       |       |       |       |              |       |       |       |       |       |              |       |       |       |       |       |              |       |       |       |       |       |              |       |       |       |       |       |              |       |       |       |       |       |              |       |       |       |       |       |              |       |      |       |      |       |              |       |      |       |      |       |              |       |      |       |      |       |              |       |      |       |              |       |              |       |      |       |              |       |              |       |              |       |              |       |              |       |              |       |      |       |      |       |      |       |      |       |      |       |      |       |      |       |      |       |      |       |      |       |      |       |      |       |      |       |      |       |      |       |      |       |      |       |      |       |      |      |      |       |      |       |      |       |      |       |      |       |      |       |      |       |      |       |      |      |      |      |      |      |     |      |     |      |     |      |     |      |     |      |     |      |     |      |     |      |     |      |     |      |     |      |
| 2.3           | 4080       | 611      | 0.99                   |              |         | 2.6           | 3566       | 534          | 1.13                   |              |         | 3.0          | 3152  | 472          | 1.28 | 3.4          | 2738  | 410          | 1.48 | 3.8          | 2451  | 367          | 1.65 | 3.1          | 3019  | 452          | 0.93 | 4.1          | 2304  | 345          | 1.22 | F 87R57      | 4     | 4.7          | 2003 | 300          | 1.41  | 5.6          | 1663 | 249          | 1.70  | 2.7          | 3707 | 255.25       | 1.95  | 3.2          | 3123 | 215.04       | 2.3   | F 107        | 8    | 3.4          | 2894  | 199.31       | 2.5  | 3.8          | 2594  | 178.64       | 2.8  | 3.3          | 3002  | 276.64       | 1.35 | 3.6          | 2765  | 254.79       | 1.46 | F 97         | 6     | 4.0          | 2456 | 226.34       | 1.65  | 4.8          | 2045 | 188.50       | 2.0   | 5.2          | 1908 | 175.83       | 2.1   | 5.1          | 1951 | 276.64       | 2.1   | 5.5          | 1797 | 254.79       | 2.2   | F 97         | 4    | 6.2          | 1596  | 226.34       | 2.5  | 3.3          | 2951  | 271.92       | 0.96 | 3.6          | 2766  | 254.93       | 1.02 | F 87         | 6     | 4.0          | 2480 | 228.57       | 1.14  | 4.6          | 2136 | 196.85 | 1.32  | 5.1          | 1942 | 178.95 | 1.45  | 5.7    | 1732 | 159.61       | 1.63  | 5.2    | 1911 | 271.92 | 1.48  | 5.5          | 1798  | 254.93 | 1.57  | F 87  | 4     | 6.1          | 1612  | 228.57 | 1.75  | 7.1    | 1388  | 196.85       | 2.0   | 7.8    | 1262  | 178.95 | 2.2   | 8.8          | 1126  | 159.61 | 2.5   | 10     | 946   | 134.16       | 3.0   | 11     | 870   | 123.29 | 3.2   | 7.1          | 1399  | 198.31 | 1.01  | 7.4    | 1329  | 188.40       | 1.06  | F 77   | 4     | 8.4    | 1174  | 166.47       | 1.20  | 9.8    | 1003  | 142.27 | 1.41  | 11           | 920   | 130.42 | 1.53  | 12     | 807   | 114.45       | 1.75  | 13     | 765   | 108.46 | 1.84  | 15           | 670   | 94.93  | 2.1   | 16           | 603   | 85.52        | 2.3   | 19     | 529   | 75.02        | 2.7   | 12     | 853   | 120.79 | 0.9   | 13           | 769   | 109.04 | 1.0   | F 67  | 4     | 15           | 677   | 95.94  | 1.1   | 15     | 639   | 90.59        | 1.2   | 18     | 550   | 77.97 | 1.4   | 21           | 466   | 66.13 | 1.7   | 23     | 421   | 59.70        | 1.8   | 27     | 371   | 52.53 | 2.1   | 28           | 350   | 49.60        | 2.2   | 33     | 298   | 42.23  | 2.6   | 36           | 271   | 38.38        | 2.7   | 42     | 234   | 33.24 | 3.0   | 25           | 396   | 56.09        | 0.95  | 29    | 336   | 47.66 | 1.12  | 33           | 300   | 42.55 | 1.25  | 39    | 256   | 36.34        | 1.47  | 41    | 240   | 34.04 | 1.57  | 49           | 202   | 28.67 | 1.86  | 46    | 216   | 30.64        | 1.74  | 48    | 205   | 29.11 | 1.83  | 55           | 180   | 25.54 | 2.1   | 65    | 153   | 21.66        | 2.5   | 72    | 138   | 19.56 | 2.7   | 44           | 224   | 31.69 | 0.84  | 50    | 198   | 28.09        | 0.95  | 59    | 168   | 23.88 | 1.12  | 68           | 145   | 20.57 | 1.30  | 73    | 136   | 19.27        | 1.38  | 82    | 120   | 17.03 | 1.57  | 98           | 101   | 14.33 | 1.86  | 109   | 91    | 12.87        | 2.1   | 126   | 78    | 11.08 | 2.3   | 134          | 73    | 10.42 | 2.4   | 156   | 63    | 8.97         | 2.6   | 175   | 56    | 8.01  | 2.8   | 206          | 48    | 6.81  | 2.7   | 229   | 43    | 6.11         | 2.9   | 266   | 37    | 5.27  | 3.2   | 283          | 35    | 4.95  | 3.2   | 329   | 30    | 4.26         | 3.4   | 367   | 27    | 3.81  | 3.7   | <b>1.5kW</b> |       |       |       |       |       | <b>1.5kW</b> |       |       |       |       |       | 0.58         | 22102 | 2427 | 0.77  | 0.64 | 19898 | 2185         | 0.85  | 0.72 | 17703 | 1944 | 0.96  | 0.84         | 15244 | 1674 | 1.11  | 1.1  | 11911 | 1308         | 1.42  | 1.2  | 10646 | 1169         | 1.59  | 1.5          | 8679  | 953  | 1.95  | 1.7          | 7695  | 845          | 2.2   | 3.1          | 4062  | 446          | 4.2   | 4.7          | 2741  | 301          | 6.2   | 0.86 | 14744 | 1619 | 0.77  | 1.0  | 12758 | 1401 | 0.88  | 1.1  | 11201 | 1230 | 1.01  | 1.3  | 9881  | 1085 | 1.14  | 1.5  | 8533  | 937  | 1.32  | 1.7  | 7531  | 827  | 1.50  | 1.9  | 6675  | 733  | 1.69  | 2.2  | 5828  | 640  | 1.94  | 1.5  | 8651  | 950  | 0.83  | 1.7  | 7595 | 834  | 0.95  | 1.9  | 6702  | 736  | 1.08  | 2.2  | 5710  | 627  | 1.26  |      |       |      |       |      |       |      |      |      |      |      |      |     |      |     |      |     |      |     |      |     |      |     |      |     |      |     |      |     |      |     |      |     |      |
| 2.6           | 3566       | 534      | 1.13                   |              |         | 3.0           | 3152       | 472          | 1.28                   |              |         | 3.4          | 2738  | 410          | 1.48 | 3.8          | 2451  | 367          | 1.65 | 3.1          | 3019  | 452          | 0.93 | 4.1          | 2304  | 345          | 1.22 | F 87R57      | 4     | 4.7          | 2003 |              |       | 300          | 1.41 | 5.6          | 1663  | 249          | 1.70 | 2.7          | 3707  | 255.25       | 1.95 | 3.2          | 3123  | 215.04       | 2.3  | F 107        | 8     |              |      | 3.4          | 2894  | 199.31       | 2.5  | 3.8          | 2594  | 178.64       | 2.8  | 3.3          | 3002  | 276.64       | 1.35 | 3.6          | 2765  | 254.79       | 1.46 |              |       | F 97         | 6    | 4.0          | 2456  | 226.34       | 1.65 | 4.8          | 2045  | 188.50       | 2.0  | 5.2          | 1908  | 175.83       | 2.1  | 5.1          | 1951  | 276.64       | 2.1  | 5.5          | 1797  |              |      | 254.79       | 2.2   | F 97         | 4    | 6.2          | 1596  | 226.34       | 2.5  | 3.3          | 2951  | 271.92       | 0.96 |              |       | 3.6          | 2766 | 254.93       | 1.02  | F 87         | 6    | 4.0    | 2480  | 228.57       | 1.14 | 4.6    | 2136  | 196.85 | 1.32 | 5.1          | 1942  | 178.95 | 1.45 | 5.7    | 1732  | 159.61       | 1.63  | 5.2    | 1911  |       |       | 271.92       | 1.48  | 5.5    | 1798  | 254.93 | 1.57  | F 87         | 4     | 6.1    | 1612  | 228.57 | 1.75  | 7.1          | 1388  | 196.85 | 2.0   | 7.8    | 1262  | 178.95       | 2.2   | 8.8    | 1126  | 159.61 | 2.5   | 10           | 946   | 134.16 | 3.0   | 11     | 870   | 123.29       | 3.2   |        |       | 7.1    | 1399  | 198.31       | 1.01  | 7.4    | 1329  | 188.40 | 1.06  | F 77         | 4     | 8.4    | 1174  | 166.47 | 1.20  | 9.8          | 1003  | 142.27 | 1.41  | 11     | 920   | 130.42       | 1.53  | 12     | 807   | 114.45       | 1.75  | 13           | 765   | 108.46 | 1.84  | 15           | 670   | 94.93  | 2.1   | 16     | 603   | 85.52        | 2.3   | 19     | 529   |       |       | 75.02        | 2.7   | 12     | 853   | 120.79 | 0.9   | 13           | 769   | 109.04 | 1.0   | F 67  | 4     | 15           | 677   | 95.94 | 1.1   | 15     | 639   | 90.59        | 1.2   | 18     | 550   | 77.97 | 1.4   | 21           | 466   | 66.13        | 1.7   | 23     | 421   | 59.70  | 1.8   | 27           | 371   | 52.53        | 2.1   | 28     | 350   | 49.60 | 2.2   | 33           | 298   | 42.23        | 2.6   | 36    | 271   | 38.38 | 2.7   | 42           | 234   | 33.24 | 3.0   | 25    | 396   | 56.09        | 0.95  | 29    | 336   | 47.66 | 1.12  | 33           | 300   | 42.55 | 1.25  | 39    | 256   | 36.34        | 1.47  | 41    | 240   | 34.04 | 1.57  | 49           | 202   | 28.67 | 1.86  | 46    | 216   | 30.64        | 1.74  | 48    | 205   | 29.11 | 1.83  | 55           | 180   | 25.54 | 2.1   | 65    | 153   | 21.66        | 2.5   | 72    | 138   | 19.56 | 2.7   | 44           | 224   | 31.69 | 0.84  | 50    | 198   | 28.09        | 0.95  | 59    | 168   | 23.88 | 1.12  | 68           | 145   | 20.57 | 1.30  | 73    | 136   | 19.27        | 1.38  | 82    | 120   | 17.03 | 1.57  | 98           | 101   | 14.33 | 1.86  | 109   | 91    | 12.87        | 2.1   | 126   | 78    | 11.08 | 2.3   | 134          | 73    | 10.42 | 2.4   | 156   | 63    | 8.97         | 2.6   | 175   | 56    | 8.01  | 2.8   | 206          | 48    | 6.81  | 2.7   | 229   | 43    | 6.11         | 2.9   | 266   | 37    | 5.27  | 3.2   | 283          | 35    | 4.95  | 3.2   | 329   | 30    | 4.26         | 3.4   | 367   | 27    | 3.81  | 3.7   | <b>1.5kW</b> |       |      |       |      |       | <b>1.5kW</b> |       |      |       |      |       | 0.58         | 22102 | 2427 | 0.77  | 0.64 | 19898 | 2185         | 0.85  | 0.72 | 17703 | 1944         | 0.96  | 0.84         | 15244 | 1674 | 1.11  | 1.1          | 11911 | 1308         | 1.42  | 1.2          | 10646 | 1169         | 1.59  | 1.5          | 8679  | 953          | 1.95  | 1.7  | 7695  | 845  | 2.2   | 3.1  | 4062  | 446  | 4.2   | 4.7  | 2741  | 301  | 6.2   | 0.86 | 14744 | 1619 | 0.77  | 1.0  | 12758 | 1401 | 0.88  | 1.1  | 11201 | 1230 | 1.01  | 1.3  | 9881  | 1085 | 1.14  | 1.5  | 8533  | 937  | 1.32  | 1.7  | 7531  | 827  | 1.50  | 1.9  | 6675 | 733  | 1.69  | 2.2  | 5828  | 640  | 1.94  | 1.5  | 8651  | 950  | 0.83  | 1.7  | 7595  | 834  | 0.95  | 1.9  | 6702  | 736  | 1.08 | 2.2  | 5710 | 627  | 1.26 |     |      |     |      |     |      |     |      |     |      |     |      |     |      |     |      |     |      |     |      |     |      |
| 3.0           | 3152       | 472      | 1.28                   |              |         | 3.4           | 2738       | 410          | 1.48                   |              |         | 3.8          | 2451  | 367          | 1.65 | 3.1          | 3019  | 452          | 0.93 | 4.1          | 2304  | 345          | 1.22 | F 87R57      | 4     | 4.7          | 2003 |              |       | 300          | 1.41 |              |       | 5.6          | 1663 | 249          | 1.70  | 2.7          | 3707 | 255.25       | 1.95  | 3.2          | 3123 | 215.04       | 2.3   | F 107        | 8    |              |       |              |      | 3.4          | 2894  | 199.31       | 2.5  | 3.8          | 2594  | 178.64       | 2.8  | 3.3          | 3002  | 276.64       | 1.35 | 3.6          | 2765  | 254.79       | 1.46 |              |       |              |      | F 97         | 6     | 4.0          | 2456 | 226.34       | 1.65  | 4.8          | 2045 | 188.50       | 2.0   | 5.2          | 1908 | 175.83       | 2.1   | 5.1          | 1951 | 276.64       | 2.1   |              |      | 5.5          | 1797  |              |      | 254.79       | 2.2   | F 97         | 4    | 6.2          | 1596  | 226.34       | 2.5  |              |       | 3.3          | 2951 | 271.92       | 0.96  |              |      | 3.6    | 2766  | 254.93       | 1.02 | F 87   | 6     | 4.0    | 2480 | 228.57       | 1.14  | 4.6    | 2136 | 196.85 | 1.32  | 5.1          | 1942  | 178.95 | 1.45  |       |       | 5.7          | 1732  | 159.61 | 1.63  | 5.2    | 1911  |              |       | 271.92 | 1.48  | 5.5    | 1798  | 254.93       | 1.57  | F 87   | 4     | 6.1    | 1612  | 228.57       | 1.75  | 7.1    | 1388  | 196.85 | 2.0   | 7.8          | 1262  | 178.95 | 2.2   | 8.8    | 1126  | 159.61       | 2.5   |        |       | 10     | 946   | 134.16       | 3.0   | 11     | 870   | 123.29 | 3.2   |              |       | 7.1    | 1399  | 198.31 | 1.01  | 7.4          | 1329  | 188.40 | 1.06  | F 77   | 4     | 8.4          | 1174  | 166.47 | 1.20  | 9.8          | 1003  | 142.27       | 1.41  | 11     | 920   | 130.42       | 1.53  | 12     | 807   | 114.45 | 1.75  | 13           | 765   | 108.46 | 1.84  |       |       | 15           | 670   | 94.93  | 2.1   | 16     | 603   | 85.52        | 2.3   | 19     | 529   |       |       | 75.02        | 2.7   | 12    | 853   | 120.79 | 0.9   | 13           | 769   | 109.04 | 1.0   | F 67  | 4     | 15           | 677   | 95.94        | 1.1   | 15     | 639   | 90.59  | 1.2   | 18           | 550   | 77.97        | 1.4   | 21     | 466   | 66.13 | 1.7   | 23           | 421   | 59.70        | 1.8   | 27    | 371   | 52.53 | 2.1   | 28           | 350   | 49.60 | 2.2   | 33    | 298   | 42.23        | 2.6   | 36    | 271   | 38.38 | 2.7   | 42           | 234   | 33.24 | 3.0   | 25    | 396   | 56.09        | 0.95  | 29    | 336   | 47.66 | 1.12  | 33           | 300   | 42.55 | 1.25  | 39    | 256   | 36.34        | 1.47  | 41    | 240   | 34.04 | 1.57  | 49           | 202   | 28.67 | 1.86  | 46    | 216   | 30.64        | 1.74  | 48    | 205   | 29.11 | 1.83  | 55           | 180   | 25.54 | 2.1   | 65    | 153   | 21.66        | 2.5   | 72    | 138   | 19.56 | 2.7   | 44           | 224   | 31.69 | 0.84  | 50    | 198   | 28.09        | 0.95  | 59    | 168   | 23.88 | 1.12  | 68           | 145   | 20.57 | 1.30  | 73    | 136   | 19.27        | 1.38  | 82    | 120   | 17.03 | 1.57  | 98           | 101   | 14.33 | 1.86  | 109   | 91    | 12.87        | 2.1   | 126   | 78    | 11.08 | 2.3   | 134          | 73    | 10.42 | 2.4   | 156   | 63    | 8.97         | 2.6   | 175   | 56    | 8.01  | 2.8   | 206          | 48    | 6.81  | 2.7   | 229   | 43    | 6.11         | 2.9   | 266   | 37    | 5.27  | 3.2   | 283          | 35    | 4.95 | 3.2   | 329  | 30    | 4.26         | 3.4   | 367  | 27    | 3.81 | 3.7   | <b>1.5kW</b> |       |      |       |      |       | <b>1.5kW</b> |       |      |       |              |       | 0.58         | 22102 | 2427 | 0.77  | 0.64         | 19898 | 2185         | 0.85  | 0.72         | 17703 | 1944         | 0.96  | 0.84         | 15244 | 1674         | 1.11  | 1.1  | 11911 | 1308 | 1.42  | 1.2  | 10646 | 1169 | 1.59  | 1.5  | 8679  | 953  | 1.95  | 1.7  | 7695  | 845  | 2.2   | 3.1  | 4062  | 446  | 4.2   | 4.7  | 2741  | 301  | 6.2   | 0.86 | 14744 | 1619 | 0.77  | 1.0  | 12758 | 1401 | 0.88  | 1.1  | 11201 | 1230 | 1.01  | 1.3  | 9881 | 1085 | 1.14  | 1.5  | 8533  | 937  | 1.32  | 1.7  | 7531  | 827  | 1.50  | 1.9  | 6675  | 733  | 1.69  | 2.2  | 5828  | 640  | 1.94 | 1.5  | 8651 | 950  | 0.83 | 1.7 | 7595 | 834 | 0.95 | 1.9 | 6702 | 736 | 1.08 | 2.2 | 5710 | 627 | 1.26 |     |      |     |      |     |      |     |      |     |      |
| 3.4           | 2738       | 410      | 1.48                   |              |         | 3.8           | 2451       | 367          | 1.65                   |              |         | 3.1          | 3019  | 452          | 0.93 | 4.1          | 2304  | 345          | 1.22 | F 87R57      | 4     | 4.7          | 2003 |              |       | 300          | 1.41 |              |       | 5.6          | 1663 |              |       | 249          | 1.70 | 2.7          | 3707  | 255.25       | 1.95 | 3.2          | 3123  | 215.04       | 2.3  | F 107        | 8     |              |      |              |       |              |      | 3.4          | 2894  | 199.31       | 2.5  | 3.8          | 2594  | 178.64       | 2.8  | 3.3          | 3002  | 276.64       | 1.35 | 3.6          | 2765  | 254.79       | 1.46 |              |       |              |      |              |       | F 97         | 6    | 4.0          | 2456  | 226.34       | 1.65 | 4.8          | 2045  | 188.50       | 2.0  | 5.2          | 1908  | 175.83       | 2.1  | 5.1          | 1951  | 276.64       | 2.1  | 5.5          | 1797  |              |      | 254.79       | 2.2   |              |      | F 97         | 4     | 6.2          | 1596 |              |       | 226.34       | 2.5  | 3.3          | 2951  |              |      | 271.92 | 0.96  | 3.6          | 2766 |        |       | 254.93 | 1.02 | F 87         | 6     | 4.0    | 2480 | 228.57 | 1.14  | 4.6          | 2136  | 196.85 | 1.32  |       |       | 5.1          | 1942  | 178.95 | 1.45  | 5.7    | 1732  |              |       | 159.61 | 1.63  | 5.2    | 1911  | 271.92       | 1.48  |        |       | 5.5    | 1798  | 254.93       | 1.57  | F 87   | 4     | 6.1    | 1612  | 228.57       | 1.75  | 7.1    | 1388  | 196.85 | 2.0   | 7.8          | 1262  |        |       | 178.95 | 2.2   | 8.8          | 1126  | 159.61 | 2.5   | 10     | 946   |              |       | 134.16 | 3.0   | 11     | 870   | 123.29       | 3.2   | 7.1    | 1399  |        |       | 198.31       | 1.01  | 7.4    | 1329  | 188.40       | 1.06  | F 77         | 4     | 8.4    | 1174  | 166.47       | 1.20  | 9.8    | 1003  | 142.27 | 1.41  | 11           | 920   | 130.42 | 1.53  |       |       | 12           | 807   | 114.45 | 1.75  | 13     | 765   | 108.46       | 1.84  | 15     | 670   |       |       | 94.93        | 2.1   | 16    | 603   | 85.52  | 2.3   | 19           | 529   | 75.02  | 2.7   |       |       | 12           | 853   | 120.79       | 0.9   | 13     | 769   | 109.04 | 1.0   | F 67         | 4     | 15           | 677   | 95.94  | 1.1   | 15    | 639   | 90.59        | 1.2   | 18           | 550   | 77.97 | 1.4   | 21    | 466   | 66.13        | 1.7   | 23    | 421   | 59.70 | 1.8   | 27           | 371   | 52.53 | 2.1   | 28    | 350   | 49.60        | 2.2   | 33    | 298   | 42.23 | 2.6   | 36           | 271   | 38.38 | 2.7   | 42    | 234   | 33.24        | 3.0   | 25    | 396   | 56.09 | 0.95  | 29           | 336   | 47.66 | 1.12  | 33    | 300   | 42.55        | 1.25  | 39    | 256   | 36.34 | 1.47  | 41           | 240   | 34.04 | 1.57  | 49    | 202   | 28.67        | 1.86  | 46    | 216   | 30.64 | 1.74  | 48           | 205   | 29.11 | 1.83  | 55    | 180   | 25.54        | 2.1   | 65    | 153   | 21.66 | 2.5   | 72           | 138   | 19.56 | 2.7   | 44    | 224   | 31.69        | 0.84  | 50    | 198   | 28.09 | 0.95  | 59           | 168   | 23.88 | 1.12  | 68    | 145   | 20.57        | 1.30  | 73    | 136   | 19.27 | 1.38  | 82           | 120   | 17.03 | 1.57  | 98    | 101   | 14.33        | 1.86  | 109   | 91    | 12.87 | 2.1   | 126          | 78    | 11.08 | 2.3   | 134   | 73    | 10.42        | 2.4   | 156   | 63    | 8.97  | 2.6   | 175          | 56    | 8.01  | 2.8   | 206   | 48    | 6.81         | 2.7   | 229  | 43    | 6.11 | 2.9   | 266          | 37    | 5.27 | 3.2   | 283  | 35    | 4.95         | 3.2   | 329  | 30    | 4.26 | 3.4   | 367          | 27    | 3.81 | 3.7   | <b>1.5kW</b> |       |              |       |      |       | <b>1.5kW</b> |       |              |       |              |       | 0.58         | 22102 | 2427         | 0.77  | 0.64         | 19898 | 2185 | 0.85  | 0.72 | 17703 | 1944 | 0.96  | 0.84 | 15244 | 1674 | 1.11  | 1.1  | 11911 | 1308 | 1.42  | 1.2  | 10646 | 1169 | 1.59  | 1.5  | 8679  | 953  | 1.95  | 1.7  | 7695  | 845  | 2.2   | 3.1  | 4062  | 446  | 4.2   | 4.7  | 2741  | 301  | 6.2   | 0.86 | 14744 | 1619 | 0.77 | 1.0  | 12758 | 1401 | 0.88  | 1.1  | 11201 | 1230 | 1.01  | 1.3  | 9881  | 1085 | 1.14  | 1.5  | 8533  | 937  | 1.32  | 1.7  | 7531 | 827  | 1.50 | 1.9  | 6675 | 733 | 1.69 | 2.2 | 5828 | 640 | 1.94 | 1.5 | 8651 | 950 | 0.83 | 1.7 | 7595 | 834 | 0.95 | 1.9 | 6702 | 736 | 1.08 | 2.2 | 5710 | 627 | 1.26 |
| 3.8           | 2451       | 367      | 1.65                   |              |         | 3.1           | 3019       | 452          | 0.93                   |              |         | 4.1          | 2304  | 345          | 1.22 | F 87R57      | 4     | 4.7          | 2003 |              |       | 300          | 1.41 |              |       | 5.6          | 1663 |              |       | 249          | 1.70 | 2.7          | 3707  | 255.25       | 1.95 | 3.2          | 3123  | 215.04       | 2.3  | F 107        | 8     | 3.4          | 2894 |              |       |              |      |              |       | 199.31       | 2.5  | 3.8          | 2594  | 178.64       | 2.8  | 3.3          | 3002  | 276.64       | 1.35 | 3.6          | 2765  | 254.79       | 1.46 | F 97         | 6     | 4.0          | 2456 |              |       |              |      |              |       |              |      | 226.34       | 1.65  | 4.8          | 2045 | 188.50       | 2.0   | 5.2          | 1908 | 175.83       | 2.1   | 5.1          | 1951 | 276.64       | 2.1   | 5.5          | 1797 | 254.79       | 2.2   | F 97         | 4    | 6.2          | 1596  |              |      |              |       | 226.34       | 2.5  |              |       | 3.3          | 2951 | 271.92       | 0.96  |              |      | 3.6    | 2766  | 254.93       | 1.02 |        |       | F 87   | 6    |              |       | 4.0    | 2480 | 228.57 | 1.14  | 4.6          | 2136  | 196.85 | 1.32  |       |       | 5.1          | 1942  | 178.95 | 1.45  | 5.7    | 1732  |              |       | 159.61 | 1.63  | 5.2    | 1911  | 271.92       | 1.48  |        |       | 5.5    | 1798  | 254.93       | 1.57  |        |       | F 87   | 4     | 6.1          | 1612  | 228.57 | 1.75  | 7.1    | 1388  | 196.85       | 2.0   |        |       | 7.8    | 1262  | 178.95       | 2.2   | 8.8    | 1126  | 159.61 | 2.5   |              |       | 10     | 946   | 134.16 | 3.0   | 11           | 870   | 123.29 | 3.2   |        |       | 7.1          | 1399  | 198.31 | 1.01  | 7.4          | 1329  |              |       | 188.40 | 1.06  | F 77         | 4     | 8.4    | 1174  | 166.47 | 1.20  | 9.8          | 1003  | 142.27 | 1.41  |       |       | 11           | 920   | 130.42 | 1.53  | 12     | 807   | 114.45       | 1.75  | 13     | 765   |       |       | 108.46       | 1.84  | 15    | 670   | 94.93  | 2.1   | 16           | 603   | 85.52  | 2.3   |       |       | 19           | 529   | 75.02        | 2.7   | 12     | 853   | 120.79 | 0.9   |              |       | 13           | 769   | 109.04 | 1.0   | F 67  | 4     | 15           | 677   | 95.94        | 1.1   | 15    | 639   | 90.59 | 1.2   | 18           | 550   | 77.97 | 1.4   | 21    | 466   | 66.13        | 1.7   | 23    | 421   | 59.70 | 1.8   | 27           | 371   | 52.53 | 2.1   | 28    | 350   | 49.60        | 2.2   | 33    | 298   | 42.23 | 2.6   | 36           | 271   | 38.38 | 2.7   | 42    | 234   | 33.24        | 3.0   | 25    | 396   | 56.09 | 0.95  | 29           | 336   | 47.66 | 1.12  | 33    | 300   | 42.55        | 1.25  | 39    | 256   | 36.34 | 1.47  | 41           | 240   | 34.04 | 1.57  | 49    | 202   | 28.67        | 1.86  | 46    | 216   | 30.64 | 1.74  | 48           | 205   | 29.11 | 1.83  | 55    | 180   | 25.54        | 2.1   | 65    | 153   | 21.66 | 2.5   | 72           | 138   | 19.56 | 2.7   | 44    | 224   | 31.69        | 0.84  | 50    | 198   | 28.09 | 0.95  | 59           | 168   | 23.88 | 1.12  | 68    | 145   | 20.57        | 1.30  | 73    | 136   | 19.27 | 1.38  | 82           | 120   | 17.03 | 1.57  | 98    | 101   | 14.33        | 1.86  | 109   | 91    | 12.87 | 2.1   | 126          | 78    | 11.08 | 2.3   | 134   | 73    | 10.42        | 2.4   | 156   | 63    | 8.97  | 2.6   | 175          | 56    | 8.01 | 2.8   | 206  | 48    | 6.81         | 2.7   | 229  | 43    | 6.11 | 2.9   | 266          | 37    | 5.27 | 3.2   | 283  | 35    | 4.95         | 3.2   | 329  | 30    | 4.26         | 3.4   | 367          | 27    | 3.81 | 3.7   | <b>1.5kW</b> |       |              |       |              |       | <b>1.5kW</b> |       |              |       |              |       | 0.58 | 22102 | 2427 | 0.77  | 0.64 | 19898 | 2185 | 0.85  | 0.72 | 17703 | 1944 | 0.96  | 0.84 | 15244 | 1674 | 1.11  | 1.1  | 11911 | 1308 | 1.42  | 1.2  | 10646 | 1169 | 1.59  | 1.5  | 8679  | 953  | 1.95  | 1.7  | 7695  | 845  | 2.2   | 3.1  | 4062  | 446  | 4.2   | 4.7  | 2741 | 301  | 6.2   | 0.86 | 14744 | 1619 | 0.77  | 1.0  | 12758 | 1401 | 0.88  | 1.1  | 11201 | 1230 | 1.01  | 1.3  | 9881  | 1085 | 1.14 | 1.5  | 8533 | 937  | 1.32 | 1.7 | 7531 | 827 | 1.50 | 1.9 | 6675 | 733 | 1.69 | 2.2 | 5828 | 640 | 1.94 | 1.5 | 8651 | 950 | 0.83 | 1.7 | 7595 | 834 | 0.95 | 1.9 | 6702 |
| 3.1           | 3019       | 452      | 0.93                   | 4.1          | 2304    | 345           | 1.22       | F 87R57      | 4                      |              |         | 4.7          | 2003  | 300          | 1.41 |              |       | 5.6          | 1663 |              |       | 249          | 1.70 |              |       | 2.7          | 3707 | 255.25       | 1.95  | 3.2          | 3123 | 215.04       | 2.3   | F 107        | 8    | 3.4          | 2894  | 199.31       | 2.5  |              |       | 3.8          | 2594 |              |       |              |      | 178.64       | 2.8   | 3.3          | 3002 | 276.64       | 1.35  | 3.6          | 2765 | 254.79       | 1.46  | F 97         | 6    | 4.0          | 2456  | 226.34       | 1.65 |              |       | 4.8          | 2045 | 188.50       | 2.0   |              |      |              |       |              |      | 5.2          | 1908  | 175.83       | 2.1  | 5.1          | 1951  | 276.64       | 2.1  | 5.5          | 1797  | 254.79       | 2.2  | F 97         | 4     | 6.2          | 1596 | 226.34       | 2.5   |              |      | 3.3          | 2951  | 271.92       | 0.96 |              |       | 3.6          | 2766 |              |       | 254.93       | 1.02 | F 87         | 6     |              |      | 4.0    | 2480  | 228.57       | 1.14 |        |       |        |      |              |       | 4.6    | 2136 | 196.85 | 1.32  | 5.1          | 1942  | 178.95 | 1.45  |       |       | 5.7          | 1732  | 159.61 | 1.63  | 5.2    | 1911  |              |       | 271.92 | 1.48  | 5.5    | 1798  | 254.93       | 1.57  |        |       | F 87   | 4     | 6.1          | 1612  |        |       |        |       | 228.57       | 1.75  | 7.1    | 1388  | 196.85 | 2.0   | 7.8          | 1262  |        |       | 178.95 | 2.2   | 8.8          | 1126  | 159.61 | 2.5   | 10     | 946   |              |       | 134.16 | 3.0   | 11     | 870   | 123.29       | 3.2   | 7.1    | 1399  |        |       | 198.31       | 1.01  | 7.4    | 1329  | 188.40       | 1.06  |              |       | F 77   | 4     |              |       | 8.4    | 1174  | 166.47 | 1.20  | 9.8          | 1003  | 142.27 | 1.41  |       |       | 11           | 920   | 130.42 | 1.53  | 12     | 807   | 114.45       | 1.75  | 13     | 765   |       |       | 108.46       | 1.84  | 15    | 670   | 94.93  | 2.1   | 16           | 603   | 85.52  | 2.3   |       |       | 19           | 529   | 75.02        | 2.7   | 12     | 853   | 120.79 | 0.9   |              |       | 13           | 769   | 109.04 | 1.0   |       |       | F 67         | 4     | 15           | 677   | 95.94 | 1.1   | 15    | 639   | 90.59        | 1.2   | 18    | 550   | 77.97 | 1.4   | 21           | 466   | 66.13 | 1.7   | 23    | 421   | 59.70        | 1.8   | 27    | 371   | 52.53 | 2.1   | 28           | 350   | 49.60 | 2.2   | 33    | 298   | 42.23        | 2.6   | 36    | 271   | 38.38 | 2.7   | 42           | 234   | 33.24 | 3.0   | 25    | 396   | 56.09        | 0.95  | 29    | 336   | 47.66 | 1.12  | 33           | 300   | 42.55 | 1.25  | 39    | 256   | 36.34        | 1.47  | 41    | 240   | 34.04 | 1.57  | 49           | 202   | 28.67 | 1.86  | 46    | 216   | 30.64        | 1.74  | 48    | 205   | 29.11 | 1.83  | 55           | 180   | 25.54 | 2.1   | 65    | 153   | 21.66        | 2.5   | 72    | 138   | 19.56 | 2.7   | 44           | 224   | 31.69 | 0.84  | 50    | 198   | 28.09        | 0.95  | 59    | 168   | 23.88 | 1.12  | 68           | 145   | 20.57 | 1.30  | 73    | 136   | 19.27        | 1.38  | 82    | 120   | 17.03 | 1.57  | 98           | 101   | 14.33 | 1.86  | 109   | 91    | 12.87        | 2.1   | 126   | 78    | 11.08 | 2.3   | 134          | 73    | 10.42 | 2.4   | 156   | 63    | 8.97         | 2.6   | 175  | 56    | 8.01 | 2.8   | 206          | 48    | 6.81 | 2.7   | 229  | 43    | 6.11         | 2.9   | 266  | 37    | 5.27 | 3.2   | 283          | 35    | 4.95 | 3.2   | 329          | 30    | 4.26         | 3.4   | 367  | 27    | 3.81         | 3.7   | <b>1.5kW</b> |       |              |       |              |       | <b>1.5kW</b> |       |              |       |      |       | 0.58 | 22102 | 2427 | 0.77  | 0.64 | 19898 | 2185 | 0.85  | 0.72 | 17703 | 1944 | 0.96  | 0.84 | 15244 | 1674 | 1.11  | 1.1  | 11911 | 1308 | 1.42  | 1.2  | 10646 | 1169 | 1.59  | 1.5  | 8679  | 953  | 1.95  | 1.7  | 7695  | 845  | 2.2   | 3.1  | 4062  | 446  | 4.2  | 4.7  | 2741  | 301  | 6.2   | 0.86 | 14744 | 1619 | 0.77  | 1.0  | 12758 | 1401 | 0.88  | 1.1  | 11201 | 1230 | 1.01  | 1.3  | 9881 | 1085 | 1.14 | 1.5  | 8533 | 937 | 1.32 | 1.7 | 7531 | 827 | 1.50 | 1.9 | 6675 | 733 | 1.69 | 2.2 | 5828 | 640 | 1.94 | 1.5 | 8651 | 950 | 0.83 | 1.7 | 7595 | 834 | 0.95 |
| 4.1           | 2304       | 345      | 1.22                   | F 87R57      | 4       | 4.7           | 2003       |              |                        |              |         | 300          | 1.41  | 5.6          | 1663 |              |       | 249          | 1.70 |              |       | 2.7          | 3707 | 255.25       | 1.95  | 3.2          | 3123 | 215.04       | 2.3   | F 107        | 8    | 3.4          | 2894  |              |      | 199.31       | 2.5   | 3.8          | 2594 |              |       | 178.64       | 2.8  |              |       | 3.3          | 3002 | 276.64       | 1.35  | 3.6          | 2765 | 254.79       | 1.46  | F 97         | 6    | 4.0          | 2456  |              |      | 226.34       | 1.65  | 4.8          | 2045 |              |       | 188.50       | 2.0  | 5.2          | 1908  | 175.83       | 2.1  |              |       |              |      | 5.1          | 1951  | 276.64       | 2.1  | 5.5          | 1797  | 254.79       | 2.2  | F 97         | 4     | 6.2          | 1596 |              |       | 226.34       | 2.5  | 3.3          | 2951  |              |      | 271.92       | 0.96  | 3.6          | 2766 | 254.93       | 1.02  | F 87         | 6    | 4.0          | 2480  | 228.57       | 1.14 |              |       |              |      | 4.6    | 2136  | 196.85       | 1.32 |        |       |        |      |              |       | 5.1    | 1942 | 178.95 | 1.45  | 5.7          | 1732  | 159.61 | 1.63  |       |       | 5.2          | 1911  | 271.92 | 1.48  | 5.5    | 1798  |              |       | 254.93 | 1.57  | F 87   | 4     | 6.1          | 1612  |        |       |        |       | 228.57       | 1.75  |        |       |        |       | 7.1          | 1388  | 196.85 | 2.0   | 7.8    | 1262  | 178.95       | 2.2   |        |       | 8.8    | 1126  | 159.61       | 2.5   | 10     | 946   | 134.16 | 3.0   |              |       | 11     | 870   | 123.29 | 3.2   | 7.1          | 1399  | 198.31 | 1.01  |        |       | 7.4          | 1329  | 188.40 | 1.06  | F 77         | 4     |              |       |        |       |              |       | 8.4    | 1174  | 166.47 | 1.20  | 9.8          | 1003  | 142.27 | 1.41  |       |       | 11           | 920   | 130.42 | 1.53  | 12     | 807   | 114.45       | 1.75  | 13     | 765   |       |       | 108.46       | 1.84  | 15    | 670   | 94.93  | 2.1   | 16           | 603   | 85.52  | 2.3   |       |       | 19           | 529   | 75.02        | 2.7   | 12     | 853   | 120.79 | 0.9   |              |       | 13           | 769   | 109.04 | 1.0   |       |       |              |       | F 67         | 4     | 15    | 677   | 95.94 | 1.1   | 15           | 639   | 90.59 | 1.2   | 18    | 550   | 77.97        | 1.4   | 21    | 466   | 66.13 | 1.7   | 23           | 421   | 59.70 | 1.8   | 27    | 371   | 52.53        | 2.1   | 28    | 350   | 49.60 | 2.2   | 33           | 298   | 42.23 | 2.6   | 36    | 271   | 38.38        | 2.7   | 42    | 234   | 33.24 | 3.0   | 25           | 396   | 56.09 | 0.95  | 29    | 336   | 47.66        | 1.12  | 33    | 300   | 42.55 | 1.25  | 39           | 256   | 36.34 | 1.47  | 41    | 240   | 34.04        | 1.57  | 49    | 202   | 28.67 | 1.86  | 46           | 216   | 30.64 | 1.74  | 48    | 205   | 29.11        | 1.83  | 55    | 180   | 25.54 | 2.1   | 65           | 153   | 21.66 | 2.5   | 72    | 138   | 19.56        | 2.7   | 44    | 224   | 31.69 | 0.84  | 50           | 198   | 28.09 | 0.95  | 59    | 168   | 23.88        | 1.12  | 68    | 145   | 20.57 | 1.30  | 73           | 136   | 19.27 | 1.38  | 82    | 120   | 17.03        | 1.57  | 98    | 101   | 14.33 | 1.86  | 109          | 91    | 12.87 | 2.1   | 126   | 78    | 11.08        | 2.3   | 134   | 73    | 10.42 | 2.4   | 156          | 63    | 8.97 | 2.6   | 175  | 56    | 8.01         | 2.8   | 206  | 48    | 6.81 | 2.7   | 229          | 43    | 6.11 | 2.9   | 266  | 37    | 5.27         | 3.2   | 283  | 35    | 4.95         | 3.2   | 329          | 30    | 4.26 | 3.4   | 367          | 27    | 3.81         | 3.7   | <b>1.5kW</b> |       |              |       |              |       | <b>1.5kW</b> |       |      |       |      |       | 0.58 | 22102 | 2427 | 0.77  | 0.64 | 19898 | 2185 | 0.85  | 0.72 | 17703 | 1944 | 0.96  | 0.84 | 15244 | 1674 | 1.11  | 1.1  | 11911 | 1308 | 1.42  | 1.2  | 10646 | 1169 | 1.59  | 1.5  | 8679  | 953  | 1.95  | 1.7  | 7695  | 845  | 2.2   | 3.1  | 4062 | 446  | 4.2   | 4.7  | 2741  | 301  | 6.2   | 0.86 | 14744 | 1619 | 0.77  | 1.0  | 12758 | 1401 | 0.88  | 1.1  | 11201 | 1230 | 1.01 | 1.3  | 9881 | 1085 | 1.14 | 1.5 | 8533 | 937 | 1.32 | 1.7 | 7531 | 827 | 1.50 | 1.9 | 6675 | 733 | 1.69 | 2.2 | 5828 | 640 | 1.94 | 1.5 | 8651 | 950 | 0.83 | 1.7 | 7595 |
| 4.7           | 2003       | 300      | 1.41                   |              |         | 5.6           | 1663       |              |                        |              |         | 249          | 1.70  | 2.7          | 3707 |              |       | 255.25       | 1.95 | 3.2          | 3123  | 215.04       | 2.3  | F 107        | 8     | 3.4          | 2894 | 199.31       | 2.5   |              |      | 3.8          | 2594  |              |      | 178.64       | 2.8   | 3.3          | 3002 |              |       | 276.64       | 1.35 | 3.6          | 2765  | 254.79       | 1.46 | F 97         | 6     | 4.0          | 2456 | 226.34       | 1.65  |              |      | 4.8          | 2045  |              |      | 188.50       | 2.0   | 5.2          | 1908 |              |       | 175.83       | 2.1  | 5.1          | 1951  | 276.64       | 2.1  | 5.5          | 1797  |              |      | 254.79       | 2.2   | F 97         | 4    | 6.2          | 1596  | 226.34       | 2.5  |              |       | 3.3          | 2951 |              |       | 271.92       | 0.96 | 3.6          | 2766  | 254.93       | 1.02 | F 87         | 6     | 4.0          | 2480 | 228.57       | 1.14  |              |      | 4.6          | 2136  | 196.85       | 1.32 |              |       | 5.1          | 1942 | 178.95 | 1.45  | 5.7          | 1732 |        |       |        |      |              |       | 159.61 | 1.63 | 5.2    | 1911  | 271.92       | 1.48  | 5.5    | 1798  |       |       | 254.93       | 1.57  | F 87   | 4     | 6.1    | 1612  |              |       | 228.57 | 1.75  |        |       | 7.1          | 1388  |        |       |        |       | 196.85       | 2.0   |        |       |        |       | 7.8          | 1262  | 178.95 | 2.2   | 8.8    | 1126  | 159.61       | 2.5   |        |       | 10     | 946   | 134.16       | 3.0   | 11     | 870   | 123.29 | 3.2   |              |       | 7.1    | 1399  | 198.31 | 1.01  | 7.4          | 1329  | 188.40 | 1.06  |        |       | F 77         | 4     | 8.4    | 1174  |              |       |              |       |        |       |              |       | 166.47 | 1.20  | 9.8    | 1003  | 142.27       | 1.41  | 11     | 920   |       |       | 130.42       | 1.53  | 12     | 807   | 114.45 | 1.75  | 13           | 765   | 108.46 | 1.84  |       |       | 15           | 670   | 94.93 | 2.1   | 16     | 603   | 85.52        | 2.3   | 19     | 529   |       |       | 75.02        | 2.7   | 12           | 853   | 120.79 | 0.9   | 13     | 769   |              |       | 109.04       | 1.0   | F 67   | 4     |       |       |              |       |              |       | 15    | 677   | 95.94 | 1.1   | 15           | 639   | 90.59 | 1.2   | 18    | 550   | 77.97        | 1.4   | 21    | 466   | 66.13 | 1.7   | 23           | 421   | 59.70 | 1.8   | 27    | 371   | 52.53        | 2.1   | 28    | 350   | 49.60 | 2.2   | 33           | 298   | 42.23 | 2.6   | 36    | 271   | 38.38        | 2.7   | 42    | 234   | 33.24 | 3.0   | 25           | 396   | 56.09 | 0.95  | 29    | 336   | 47.66        | 1.12  | 33    | 300   | 42.55 | 1.25  | 39           | 256   | 36.34 | 1.47  | 41    | 240   | 34.04        | 1.57  | 49    | 202   | 28.67 | 1.86  | 46           | 216   | 30.64 | 1.74  | 48    | 205   | 29.11        | 1.83  | 55    | 180   | 25.54 | 2.1   | 65           | 153   | 21.66 | 2.5   | 72    | 138   | 19.56        | 2.7   | 44    | 224   | 31.69 | 0.84  | 50           | 198   | 28.09 | 0.95  | 59    | 168   | 23.88        | 1.12  | 68    | 145   | 20.57 | 1.30  | 73           | 136   | 19.27 | 1.38  | 82    | 120   | 17.03        | 1.57  | 98    | 101   | 14.33 | 1.86  | 109          | 91    | 12.87 | 2.1   | 126   | 78    | 11.08        | 2.3   | 134   | 73    | 10.42 | 2.4   | 156          | 63    | 8.97 | 2.6   | 175  | 56    | 8.01         | 2.8   | 206  | 48    | 6.81 | 2.7   | 229          | 43    | 6.11 | 2.9   | 266  | 37    | 5.27         | 3.2   | 283  | 35    | 4.95         | 3.2   | 329          | 30    | 4.26 | 3.4   | 367          | 27    | 3.81         | 3.7   | <b>1.5kW</b> |       |              |       |              |       | <b>1.5kW</b> |       |      |       |      |       | 0.58 | 22102 | 2427 | 0.77  | 0.64 | 19898 | 2185 | 0.85  | 0.72 | 17703 | 1944 | 0.96  | 0.84 | 15244 | 1674 | 1.11  | 1.1  | 11911 | 1308 | 1.42  | 1.2  | 10646 | 1169 | 1.59  | 1.5  | 8679  | 953  | 1.95  | 1.7  | 7695  | 845  | 2.2   | 3.1  | 4062 | 446  | 4.2   | 4.7  | 2741  | 301  | 6.2   | 0.86 | 14744 | 1619 | 0.77  | 1.0  | 12758 | 1401 | 0.88  | 1.1  | 11201 | 1230 | 1.01 | 1.3  | 9881 | 1085 | 1.14 | 1.5 | 8533 | 937 | 1.32 | 1.7 | 7531 | 827 | 1.50 | 1.9 | 6675 | 733 | 1.69 | 2.2 | 5828 | 640 | 1.94 | 1.5 | 8651 | 950 | 0.83 | 1.7 | 7595 |
| 5.6           | 1663       | 249      | 1.70                   |              |         | 2.7           | 3707       |              |                        |              |         | 255.25       | 1.95  | 3.2          | 3123 | 215.04       | 2.3   | F 107        | 8    | 3.4          | 2894  | 199.31       | 2.5  |              |       | 3.8          | 2594 | 178.64       | 2.8   |              |      | 3.3          | 3002  |              |      | 276.64       | 1.35  | 3.6          | 2765 | 254.79       | 1.46  | F 97         | 6    | 4.0          | 2456  | 226.34       | 1.65 |              |       | 4.8          | 2045 | 188.50       | 2.0   |              |      | 5.2          | 1908  |              |      | 175.83       | 2.1   | 5.1          | 1951 |              |       | 276.64       | 2.1  | 5.5          | 1797  | 254.79       | 2.2  | F 97         | 4     | 6.2          | 1596 | 226.34       | 2.5   |              |      | 3.3          | 2951  | 271.92       | 0.96 |              |       | 3.6          | 2766 | 254.93       | 1.02  | F 87         | 6    | 4.0          | 2480  | 228.57       | 1.14 |              |       | 4.6          | 2136 | 196.85       | 1.32  |              |      | 5.1          | 1942  | 178.95       | 1.45 |              |       | 5.7          | 1732 | 159.61 | 1.63  | 5.2          | 1911 | 271.92 | 1.48  |        |      |              |       | 5.5    | 1798 | 254.93 | 1.57  | F 87         | 4     | 6.1    | 1612  |       |       | 228.57       | 1.75  |        |       | 7.1    | 1388  |              |       | 196.85 | 2.0   |        |       | 7.8          | 1262  |        |       |        |       | 178.95       | 2.2   |        |       |        |       | 8.8          | 1126  | 159.61 | 2.5   | 10     | 946   | 134.16       | 3.0   |        |       | 11     | 870   | 123.29       | 3.2   | 7.1    | 1399  | 198.31 | 1.01  |              |       | 7.4    | 1329  | 188.40 | 1.06  | F 77         | 4     | 8.4    | 1174  |        |       |              |       | 166.47 | 1.20  |              |       |              |       |        |       |              |       | 9.8    | 1003  | 142.27 | 1.41  | 11           | 920   | 130.42 | 1.53  |       |       | 12           | 807   | 114.45 | 1.75  | 13     | 765   | 108.46       | 1.84  | 15     | 670   |       |       | 94.93        | 2.1   | 16    | 603   | 85.52  | 2.3   | 19           | 529   | 75.02  | 2.7   |       |       | 12           | 853   | 120.79       | 0.9   | 13     | 769   | 109.04 | 1.0   |              |       | F 67         | 4     |        |       |       |       |              |       |              |       | 15    | 677   | 95.94 | 1.1   | 15           | 639   | 90.59 | 1.2   | 18    | 550   | 77.97        | 1.4   | 21    | 466   | 66.13 | 1.7   | 23           | 421   | 59.70 | 1.8   | 27    | 371   | 52.53        | 2.1   | 28    | 350   | 49.60 | 2.2   | 33           | 298   | 42.23 | 2.6   | 36    | 271   | 38.38        | 2.7   | 42    | 234   | 33.24 | 3.0   | 25           | 396   | 56.09 | 0.95  | 29    | 336   | 47.66        | 1.12  | 33    | 300   | 42.55 | 1.25  | 39           | 256   | 36.34 | 1.47  | 41    | 240   | 34.04        | 1.57  | 49    | 202   | 28.67 | 1.86  | 46           | 216   | 30.64 | 1.74  | 48    | 205   | 29.11        | 1.83  | 55    | 180   | 25.54 | 2.1   | 65           | 153   | 21.66 | 2.5   | 72    | 138   | 19.56        | 2.7   | 44    | 224   | 31.69 | 0.84  | 50           | 198   | 28.09 | 0.95  | 59    | 168   | 23.88        | 1.12  | 68    | 145   | 20.57 | 1.30  | 73           | 136   | 19.27 | 1.38  | 82    | 120   | 17.03        | 1.57  | 98    | 101   | 14.33 | 1.86  | 109          | 91    | 12.87 | 2.1   | 126   | 78    | 11.08        | 2.3   | 134   | 73    | 10.42 | 2.4   | 156          | 63    | 8.97 | 2.6   | 175  | 56    | 8.01         | 2.8   | 206  | 48    | 6.81 | 2.7   | 229          | 43    | 6.11 | 2.9   | 266  | 37    | 5.27         | 3.2   | 283  | 35    | 4.95         | 3.2   | 329          | 30    | 4.26 | 3.4   | 367          | 27    | 3.81         | 3.7   | <b>1.5kW</b> |       |              |       |              |       | <b>1.5kW</b> |       |      |       |      |       | 0.58 | 22102 | 2427 | 0.77  | 0.64 | 19898 | 2185 | 0.85  | 0.72 | 17703 | 1944 | 0.96  | 0.84 | 15244 | 1674 | 1.11  | 1.1  | 11911 | 1308 | 1.42  | 1.2  | 10646 | 1169 | 1.59  | 1.5  | 8679  | 953  | 1.95  | 1.7  | 7695  | 845  | 2.2   | 3.1  | 4062 | 446  | 4.2   | 4.7  | 2741  | 301  | 6.2   | 0.86 | 14744 | 1619 | 0.77  | 1.0  | 12758 | 1401 | 0.88  | 1.1  | 11201 | 1230 | 1.01 | 1.3  | 9881 | 1085 | 1.14 | 1.5 | 8533 | 937 | 1.32 | 1.7 | 7531 | 827 | 1.50 | 1.9 | 6675 | 733 | 1.69 | 2.2 | 5828 | 640 | 1.94 | 1.5 | 8651 | 950 | 0.83 | 1.7 | 7595 |
| 2.7           | 3707       | 255.25   | 1.95                   |              |         | 3.2           | 3123       | 215.04       | 2.3                    |              |         | F 107        | 8     | 3.4          | 2894 | 199.31       | 2.5   |              |      | 3.8          | 2594  | 178.64       | 2.8  |              |       | 3.3          | 3002 | 276.64       | 1.35  |              |      | 3.6          | 2765  | 254.79       | 1.46 | F 97         | 6     | 4.0          | 2456 | 226.34       | 1.65  |              |      | 4.8          | 2045  | 188.50       | 2.0  |              |       | 5.2          | 1908 | 175.83       | 2.1   |              |      | 5.1          | 1951  |              |      | 276.64       | 2.1   | 5.5          | 1797 | 254.79       | 2.2   | F 97         | 4    | 6.2          | 1596  | 226.34       | 2.5  |              |       | 3.3          | 2951 | 271.92       | 0.96  |              |      | 3.6          | 2766  | 254.93       | 1.02 | F 87         | 6     | 4.0          | 2480 | 228.57       | 1.14  |              |      | 4.6          | 2136  | 196.85       | 1.32 |              |       | 5.1          | 1942 | 178.95       | 1.45  |              |      | 5.7          | 1732  | 159.61       | 1.63 |              |       | 5.2          | 1911 | 271.92 | 1.48  | 5.5          | 1798 | 254.93 | 1.57  |        |      | F 87         | 4     | 6.1    | 1612 | 228.57 | 1.75  |              |       | 7.1    | 1388  |       |       | 196.85       | 2.0   |        |       | 7.8    | 1262  |              |       | 178.95 | 2.2   |        |       | 8.8          | 1126  |        |       |        |       | 159.61       | 2.5   |        |       |        |       | 10           | 946   | 134.16 | 3.0   | 11     | 870   | 123.29       | 3.2   | 7.1    | 1399  | 198.31 | 1.01  | 7.4          | 1329  | 188.40 | 1.06  | F 77   | 4     |              |       | 8.4    | 1174  | 166.47 | 1.20  |              |       | 9.8    | 1003  |        |       |              |       | 142.27 | 1.41  |              |       |              |       |        |       |              |       | 11     | 920   | 130.42 | 1.53  | 12           | 807   | 114.45 | 1.75  |       |       | 13           | 765   | 108.46 | 1.84  | 15     | 670   | 94.93        | 2.1   | 16     | 603   |       |       | 85.52        | 2.3   | 19    | 529   | 75.02  | 2.7   | 12           | 853   | 120.79 | 0.9   |       |       | 13           | 769   | 109.04       | 1.0   | F 67   | 4     | 15     | 677   |              |       |              |       |        |       |       |       |              |       |              |       | 95.94 | 1.1   | 15    | 639   | 90.59        | 1.2   | 18    | 550   | 77.97 | 1.4   | 21           | 466   | 66.13 | 1.7   | 23    | 421   | 59.70        | 1.8   | 27    | 371   | 52.53 | 2.1   | 28           | 350   | 49.60 | 2.2   | 33    | 298   | 42.23        | 2.6   | 36    | 271   | 38.38 | 2.7   | 42           | 234   | 33.24 | 3.0   | 25    | 396   | 56.09        | 0.95  | 29    | 336   | 47.66 | 1.12  | 33           | 300   | 42.55 | 1.25  | 39    | 256   | 36.34        | 1.47  | 41    | 240   | 34.04 | 1.57  | 49           | 202   | 28.67 | 1.86  | 46    | 216   | 30.64        | 1.74  | 48    | 205   | 29.11 | 1.83  | 55           | 180   | 25.54 | 2.1   | 65    | 153   | 21.66        | 2.5   | 72    | 138   | 19.56 | 2.7   | 44           | 224   | 31.69 | 0.84  | 50    | 198   | 28.09        | 0.95  | 59    | 168   | 23.88 | 1.12  | 68           | 145   | 20.57 | 1.30  | 73    | 136   | 19.27        | 1.38  | 82    | 120   | 17.03 | 1.57  | 98           | 101   | 14.33 | 1.86  | 109   | 91    | 12.87        | 2.1   | 126   | 78    | 11.08 | 2.3   | 134          | 73    | 10.42 | 2.4   | 156   | 63    | 8.97         | 2.6   | 175  | 56    | 8.01 | 2.8   | 206          | 48    | 6.81 | 2.7   | 229  | 43    | 6.11         | 2.9   | 266  | 37    | 5.27 | 3.2   | 283          | 35    | 4.95 | 3.2   | 329          | 30    | 4.26         | 3.4   | 367  | 27    | 3.81         | 3.7   | <b>1.5kW</b> |       |              |       |              |       | <b>1.5kW</b> |       |              |       |      |       | 0.58 | 22102 | 2427 | 0.77  | 0.64 | 19898 | 2185 | 0.85  | 0.72 | 17703 | 1944 | 0.96  | 0.84 | 15244 | 1674 | 1.11  | 1.1  | 11911 | 1308 | 1.42  | 1.2  | 10646 | 1169 | 1.59  | 1.5  | 8679  | 953  | 1.95  | 1.7  | 7695  | 845  | 2.2   | 3.1  | 4062  | 446  | 4.2  | 4.7  | 2741  | 301  | 6.2   | 0.86 | 14744 | 1619 | 0.77  | 1.0  | 12758 | 1401 | 0.88  | 1.1  | 11201 | 1230 | 1.01  | 1.3  | 9881 | 1085 | 1.14 | 1.5  | 8533 | 937 | 1.32 | 1.7 | 7531 | 827 | 1.50 | 1.9 | 6675 | 733 | 1.69 | 2.2 | 5828 | 640 | 1.94 | 1.5 | 8651 | 950 | 0.83 | 1.7 | 7595 | 834 | 0.95 |
| 3.2           | 3123       | 215.04   | 2.3                    | F 107        | 8       | 3.4           | 2894       | 199.31       | 2.5                    |              |         |              |       | 3.8          | 2594 | 178.64       | 2.8   |              |      | 3.3          | 3002  | 276.64       | 1.35 |              |       | 3.6          | 2765 | 254.79       | 1.46  | F 97         | 6    | 4.0          | 2456  | 226.34       | 1.65 |              |       | 4.8          | 2045 | 188.50       | 2.0   |              |      | 5.2          | 1908  | 175.83       | 2.1  |              |       | 5.1          | 1951 | 276.64       | 2.1   |              |      | 5.5          | 1797  | 254.79       | 2.2  | F 97         | 4     | 6.2          | 1596 | 226.34       | 2.5   |              |      | 3.3          | 2951  | 271.92       | 0.96 |              |       | 3.6          | 2766 | 254.93       | 1.02  | F 87         | 6    | 4.0          | 2480  | 228.57       | 1.14 |              |       | 4.6          | 2136 | 196.85       | 1.32  |              |      | 5.1          | 1942  | 178.95       | 1.45 |              |       | 5.7          | 1732 | 159.61       | 1.63  |              |      | 5.2          | 1911  | 271.92       | 1.48 |              |       | 5.5          | 1798 | 254.93 | 1.57  | F 87         | 4    | 6.1    | 1612  | 228.57 | 1.75 |              |       | 7.1    | 1388 | 196.85 | 2.0   |              |       | 7.8    | 1262  |       |       | 178.95       | 2.2   |        |       | 8.8    | 1126  |              |       | 159.61 | 2.5   |        |       | 10           | 946   |        |       |        |       | 134.16       | 3.0   |        |       |        |       | 11           | 870   | 123.29 | 3.2   | 7.1    | 1399  | 198.31       | 1.01  | 7.4    | 1329  | 188.40 | 1.06  | F 77         | 4     | 8.4    | 1174  |        |       | 166.47       | 1.20  | 9.8    | 1003  | 142.27 | 1.41  |              |       | 11     | 920   |        |       |              |       | 130.42 | 1.53  |              |       |              |       |        |       |              |       | 12     | 807   | 114.45 | 1.75  | 13           | 765   | 108.46 | 1.84  |       |       | 15           | 670   | 94.93  | 2.1   | 16     | 603   | 85.52        | 2.3   | 19     | 529   |       |       | 75.02        | 2.7   | 12    | 853   | 120.79 | 0.9   | 13           | 769   | 109.04 | 1.0   |       |       | F 67         | 4     | 15           | 677   |        |       | 95.94  | 1.1   |              |       |              |       |        |       |       |       |              |       |              |       | 15    | 639   | 90.59 | 1.2   | 18           | 550   | 77.97 | 1.4   | 21    | 466   | 66.13        | 1.7   | 23    | 421   | 59.70 | 1.8   | 27           | 371   | 52.53 | 2.1   | 28    | 350   | 49.60        | 2.2   | 33    | 298   | 42.23 | 2.6   | 36           | 271   | 38.38 | 2.7   | 42    | 234   | 33.24        | 3.0   | 25    | 396   | 56.09 | 0.95  | 29           | 336   | 47.66 | 1.12  | 33    | 300   | 42.55        | 1.25  | 39    | 256   | 36.34 | 1.47  | 41           | 240   | 34.04 | 1.57  | 49    | 202   | 28.67        | 1.86  | 46    | 216   | 30.64 | 1.74  | 48           | 205   | 29.11 | 1.83  | 55    | 180   | 25.54        | 2.1   | 65    | 153   | 21.66 | 2.5   | 72           | 138   | 19.56 | 2.7   | 44    | 224   | 31.69        | 0.84  | 50    | 198   | 28.09 | 0.95  | 59           | 168   | 23.88 | 1.12  | 68    | 145   | 20.57        | 1.30  | 73    | 136   | 19.27 | 1.38  | 82           | 120   | 17.03 | 1.57  | 98    | 101   | 14.33        | 1.86  | 109   | 91    | 12.87 | 2.1   | 126          | 78    | 11.08 | 2.3   | 134   | 73    | 10.42        | 2.4   | 156   | 63    | 8.97  | 2.6   | 175          | 56    | 8.01 | 2.8   | 206  | 48    | 6.81         | 2.7   | 229  | 43    | 6.11 | 2.9   | 266          | 37    | 5.27 | 3.2   | 283  | 35    | 4.95         | 3.2   | 329  | 30    | 4.26         | 3.4   | 367          | 27    | 3.81 | 3.7   | <b>1.5kW</b> |       |              |       |              |       | <b>1.5kW</b> |       |              |       |              |       | 0.58 | 22102 | 2427 | 0.77  | 0.64 | 19898 | 2185 | 0.85  | 0.72 | 17703 | 1944 | 0.96  | 0.84 | 15244 | 1674 | 1.11  | 1.1  | 11911 | 1308 | 1.42  | 1.2  | 10646 | 1169 | 1.59  | 1.5  | 8679  | 953  | 1.95  | 1.7  | 7695  | 845  | 2.2   | 3.1  | 4062  | 446  | 4.2   | 4.7  | 2741 | 301  | 6.2   | 0.86 | 14744 | 1619 | 0.77  | 1.0  | 12758 | 1401 | 0.88  | 1.1  | 11201 | 1230 | 1.01  | 1.3  | 9881  | 1085 | 1.14 | 1.5  | 8533 | 937  | 1.32 | 1.7 | 7531 | 827 | 1.50 | 1.9 | 6675 | 733 | 1.69 | 2.2 | 5828 | 640 | 1.94 | 1.5 | 8651 | 950 | 0.83 | 1.7 | 7595 | 834 | 0.95 | 1.9 | 6702 |
| 3.4           | 2894       | 199.31   | 2.5                    |              |         | 3.8           | 2594       | 178.64       | 2.8                    | 3.3          | 3002    |              |       | 276.64       | 1.35 | 3.6          | 2765  |              |      | 254.79       | 1.46  | F 97         | 6    | 4.0          | 2456  | 226.34       | 1.65 | 4.8          | 2045  |              |      | 188.50       | 2.0   | 5.2          | 1908 |              |       | 175.83       | 2.1  | 5.1          | 1951  |              |      | 276.64       | 2.1   | 5.5          | 1797 |              |       | 254.79       | 2.2  | F 97         | 4     | 6.2          | 1596 | 226.34       | 2.5   | 3.3          | 2951 |              |       | 271.92       | 0.96 | 3.6          | 2766  |              |      | 254.93       | 1.02  | F 87         | 6    | 4.0          | 2480  | 228.57       | 1.14 | 4.6          | 2136  |              |      | 196.85       | 1.32  | 5.1          | 1942 |              |       | 178.95       | 1.45 | 5.7          | 1732  |              |      | 159.61       | 1.63  | 5.2          | 1911 |              |       | 271.92       | 1.48 | 5.5          | 1798  |              |      | 254.93       | 1.57  | F 87         | 4    | 6.1          | 1612  | 228.57       | 1.75 | 7.1    | 1388  |              |      | 196.85 | 2.0   | 7.8    | 1262 |              |       | 178.95 | 2.2  | 8.8    | 1126  |              |       | 159.61 | 2.5   | 10    | 946   | 134.16       | 3.0   |        |       | 11     | 870   |              |       | 123.29 | 3.2   |        |       | 7.1          | 1399  |        |       |        |       | 198.31       | 1.01  |        |       |        |       | 7.4          | 1329  | 188.40 | 1.06  | F 77   | 4     | 8.4          | 1174  | 166.47 | 1.20  | 9.8    | 1003  |              |       | 142.27 | 1.41  |        |       | 11           | 920   | 130.42 | 1.53  | 12     | 807   |              |       | 114.45 | 1.75  | 13     | 765   |              |       | 108.46 | 1.84  |              |       |              |       |        |       |              |       | 15     | 670   | 94.93  | 2.1   | 16           | 603   | 85.52  | 2.3   |       |       | 19           | 529   | 75.02  | 2.7   | 12     | 853   | 120.79       | 0.9   | 13     | 769   |       |       | 109.04       | 1.0   | F 67  | 4     | 15     | 677   | 95.94        | 1.1   | 15     | 639   |       |       |              |       | 90.59        | 1.2   |        |       | 18     | 550   |              |       |              |       |        |       |       |       |              |       |              |       | 77.97 | 1.4   | 21    | 466   | 66.13        | 1.7   | 23    | 421   | 59.70 | 1.8   | 27           | 371   | 52.53 | 2.1   | 28    | 350   | 49.60        | 2.2   | 33    | 298   | 42.23 | 2.6   | 36           | 271   | 38.38 | 2.7   | 42    | 234   | 33.24        | 3.0   | 25    | 396   | 56.09 | 0.95  | 29           | 336   | 47.66 | 1.12  | 33    | 300   | 42.55        | 1.25  | 39    | 256   | 36.34 | 1.47  | 41           | 240   | 34.04 | 1.57  | 49    | 202   | 28.67        | 1.86  | 46    | 216   | 30.64 | 1.74  | 48           | 205   | 29.11 | 1.83  | 55    | 180   | 25.54        | 2.1   | 65    | 153   | 21.66 | 2.5   | 72           | 138   | 19.56 | 2.7   | 44    | 224   | 31.69        | 0.84  | 50    | 198   | 28.09 | 0.95  | 59           | 168   | 23.88 | 1.12  | 68    | 145   | 20.57        | 1.30  | 73    | 136   | 19.27 | 1.38  | 82           | 120   | 17.03 | 1.57  | 98    | 101   | 14.33        | 1.86  | 109   | 91    | 12.87 | 2.1   | 126          | 78    | 11.08 | 2.3   | 134   | 73    | 10.42        | 2.4   | 156   | 63    | 8.97  | 2.6   | 175          | 56    | 8.01  | 2.8   | 206   | 48    | 6.81         | 2.7   | 229  | 43    | 6.11 | 2.9   | 266          | 37    | 5.27 | 3.2   | 283  | 35    | 4.95         | 3.2   | 329  | 30    | 4.26 | 3.4   | 367          | 27    | 3.81 | 3.7   | <b>1.5kW</b> |       |              |       |      |       | <b>1.5kW</b> |       |              |       |              |       | 0.58         | 22102 | 2427         | 0.77  | 0.64         | 19898 | 2185 | 0.85  | 0.72 | 17703 | 1944 | 0.96  | 0.84 | 15244 | 1674 | 1.11  | 1.1  | 11911 | 1308 | 1.42  | 1.2  | 10646 | 1169 | 1.59  | 1.5  | 8679  | 953  | 1.95  | 1.7  | 7695  | 845  | 2.2   | 3.1  | 4062  | 446  | 4.2   | 4.7  | 2741  | 301  | 6.2   | 0.86 | 14744 | 1619 | 0.77 | 1.0  | 12758 | 1401 | 0.88  | 1.1  | 11201 | 1230 | 1.01  | 1.3  | 9881  | 1085 | 1.14  | 1.5  | 8533  | 937  | 1.32  | 1.7  | 7531 | 827  | 1.50 | 1.9  | 6675 | 733 | 1.69 | 2.2 | 5828 | 640 | 1.94 | 1.5 | 8651 | 950 | 0.83 | 1.7 | 7595 | 834 | 0.95 | 1.9 | 6702 | 736 | 1.08 | 2.2 | 5710 | 627 | 1.26 |
| 3.8           | 2594       | 178.64   | 2.8                    |              |         | 3.3           | 3002       | 276.64       | 1.35                   | 3.6          | 2765    |              |       | 254.79       | 1.46 | F 97         | 6     | 4.0          | 2456 | 226.34       | 1.65  |              |      | 4.8          | 2045  | 188.50       | 2.0  | 5.2          | 1908  |              |      | 175.83       | 2.1   | 5.1          | 1951 |              |       | 276.64       | 2.1  | 5.5          | 1797  |              |      | 254.79       | 2.2   | F 97         | 4    | 6.2          | 1596  | 226.34       | 2.5  |              |       | 3.3          | 2951 | 271.92       | 0.96  | 3.6          | 2766 |              |       | 254.93       | 1.02 | F 87         | 6     | 4.0          | 2480 | 228.57       | 1.14  |              |      | 4.6          | 2136  | 196.85       | 1.32 | 5.1          | 1942  |              |      | 178.95       | 1.45  | 5.7          | 1732 |              |       | 159.61       | 1.63 | 5.2          | 1911  |              |      | 271.92       | 1.48  | 5.5          | 1798 |              |       | 254.93       | 1.57 | F 87         | 4     | 6.1          | 1612 | 228.57       | 1.75  |              |      | 7.1          | 1388  | 196.85       | 2.0  | 7.8    | 1262  |              |      | 178.95 | 2.2   | 8.8    | 1126 |              |       | 159.61 | 2.5  | 10     | 946   |              |       | 134.16 | 3.0   | 11    | 870   | 123.29       | 3.2   |        |       | 7.1    | 1399  | 198.31       | 1.01  | 7.4    | 1329  |        |       | 188.40       | 1.06  |        |       |        |       | F 77         | 4     |        |       |        |       | 8.4          | 1174  | 166.47 | 1.20  |        |       | 9.8          | 1003  | 142.27 | 1.41  | 11     | 920   |              |       | 130.42 | 1.53  |        |       | 12           | 807   | 114.45 | 1.75  | 13     | 765   |              |       | 108.46 | 1.84  | 15     | 670   |              |       | 94.93  | 2.1   |              |       | 16           | 603   |        |       |              |       | 85.52  | 2.3   | 19     | 529   | 75.02        | 2.7   | 12     | 853   |       |       | 120.79       | 0.9   | 13     | 769   | 109.04 | 1.0   | F 67         | 4     | 15     | 677   |       |       | 95.94        | 1.1   |       |       | 15     | 639   | 90.59        | 1.2   | 18     | 550   |       |       |              |       | 77.97        | 1.4   |        |       | 21     | 466   |              |       |              |       |        |       |       |       |              |       |              |       | 66.13 | 1.7   | 23    | 421   | 59.70        | 1.8   | 27    | 371   | 52.53 | 2.1   | 28           | 350   | 49.60 | 2.2   | 33    | 298   | 42.23        | 2.6   | 36    | 271   | 38.38 | 2.7   | 42           | 234   | 33.24 | 3.0   | 25    | 396   | 56.09        | 0.95  | 29    | 336   | 47.66 | 1.12  | 33           | 300   | 42.55 | 1.25  | 39    | 256   | 36.34        | 1.47  | 41    | 240   | 34.04 | 1.57  | 49           | 202   | 28.67 | 1.86  | 46    | 216   | 30.64        | 1.74  | 48    | 205   | 29.11 | 1.83  | 55           | 180   | 25.54 | 2.1   | 65    | 153   | 21.66        | 2.5   | 72    | 138   | 19.56 | 2.7   | 44           | 224   | 31.69 | 0.84  | 50    | 198   | 28.09        | 0.95  | 59    | 168   | 23.88 | 1.12  | 68           | 145   | 20.57 | 1.30  | 73    | 136   | 19.27        | 1.38  | 82    | 120   | 17.03 | 1.57  | 98           | 101   | 14.33 | 1.86  | 109   | 91    | 12.87        | 2.1   | 126   | 78    | 11.08 | 2.3   | 134          | 73    | 10.42 | 2.4   | 156   | 63    | 8.97         | 2.6   | 175   | 56    | 8.01  | 2.8   | 206          | 48    | 6.81  | 2.7   | 229   | 43    | 6.11         | 2.9   | 266  | 37    | 5.27 | 3.2   | 283          | 35    | 4.95 | 3.2   | 329  | 30    | 4.26         | 3.4   | 367  | 27    | 3.81 | 3.7   | <b>1.5kW</b> |       |      |       |              |       | <b>1.5kW</b> |       |      |       |              |       | 0.58         | 22102 | 2427         | 0.77  | 0.64         | 19898 | 2185         | 0.85  | 0.72         | 17703 | 1944 | 0.96  | 0.84 | 15244 | 1674 | 1.11  | 1.1  | 11911 | 1308 | 1.42  | 1.2  | 10646 | 1169 | 1.59  | 1.5  | 8679  | 953  | 1.95  | 1.7  | 7695  | 845  | 2.2   | 3.1  | 4062  | 446  | 4.2   | 4.7  | 2741  | 301  | 6.2   | 0.86 | 14744 | 1619 | 0.77  | 1.0  | 12758 | 1401 | 0.88 | 1.1  | 11201 | 1230 | 1.01  | 1.3  | 9881  | 1085 | 1.14  | 1.5  | 8533  | 937  | 1.32  | 1.7  | 7531  | 827  | 1.50  | 1.9  | 6675 | 733  | 1.69 | 2.2  | 5828 | 640 | 1.94 | 1.5 | 8651 | 950 | 0.83 | 1.7 | 7595 | 834 | 0.95 | 1.9 | 6702 | 736 | 1.08 | 2.2 | 5710 | 627 | 1.26 |     |      |     |      |
| 3.3           | 3002       | 276.64   | 1.35                   |              |         | 3.6           | 2765       | 254.79       | 1.46                   | F 97         | 6       | 4.0          | 2456  | 226.34       | 1.65 |              |       | 4.8          | 2045 | 188.50       | 2.0   |              |      | 5.2          | 1908  | 175.83       | 2.1  | 5.1          | 1951  |              |      | 276.64       | 2.1   | 5.5          | 1797 |              |       | 254.79       | 2.2  | F 97         | 4     | 6.2          | 1596 | 226.34       | 2.5   |              |      | 3.3          | 2951  | 271.92       | 0.96 |              |       | 3.6          | 2766 | 254.93       | 1.02  | F 87         | 6    | 4.0          | 2480  | 228.57       | 1.14 |              |       | 4.6          | 2136 | 196.85       | 1.32  |              |      | 5.1          | 1942  | 178.95       | 1.45 | 5.7          | 1732  |              |      | 159.61       | 1.63  | 5.2          | 1911 |              |       | 271.92       | 1.48 | 5.5          | 1798  |              |      | 254.93       | 1.57  | F 87         | 4    | 6.1          | 1612  | 228.57       | 1.75 |              |       | 7.1          | 1388 | 196.85       | 2.0   |              |      | 7.8          | 1262  | 178.95       | 2.2  | 8.8    | 1126  |              |      | 159.61 | 2.5   | 10     | 946  |              |       | 134.16 | 3.0  | 11     | 870   |              |       | 123.29 | 3.2   | 7.1   | 1399  | 198.31       | 1.01  |        |       | 7.4    | 1329  | 188.40       | 1.06  | F 77   | 4     |        |       | 8.4          | 1174  | 166.47 | 1.20  |        |       |              |       |        |       |        |       | 9.8          | 1003  | 142.27 | 1.41  |        |       | 11           | 920   | 130.42 | 1.53  | 12     | 807   |              |       | 114.45 | 1.75  |        |       | 13           | 765   | 108.46 | 1.84  | 15     | 670   |              |       | 94.93  | 2.1   | 16     | 603   |              |       | 85.52  | 2.3   |              |       | 19           | 529   |        |       | 75.02        | 2.7   | 12     | 853   | 120.79 | 0.9   | 13           | 769   | 109.04 | 1.0   | F 67  | 4     | 15           | 677   | 95.94  | 1.1   | 15     | 639   |              |       | 90.59  | 1.2   |       |       | 18           | 550   |       |       | 77.97  | 1.4   | 21           | 466   | 66.13  | 1.7   |       |       |              |       | 23           | 421   |        |       | 59.70  | 1.8   |              |       |              |       |        |       |       |       |              |       |              |       | 27    | 371   | 52.53 | 2.1   | 28           | 350   | 49.60 | 2.2   | 33    | 298   | 42.23        | 2.6   | 36    | 271   | 38.38 | 2.7   | 42           | 234   | 33.24 | 3.0   | 25    | 396   | 56.09        | 0.95  | 29    | 336   | 47.66 | 1.12  | 33           | 300   | 42.55 | 1.25  | 39    | 256   | 36.34        | 1.47  | 41    | 240   | 34.04 | 1.57  | 49           | 202   | 28.67 | 1.86  | 46    | 216   | 30.64        | 1.74  | 48    | 205   | 29.11 | 1.83  | 55           | 180   | 25.54 | 2.1   | 65    | 153   | 21.66        | 2.5   | 72    | 138   | 19.56 | 2.7   | 44           | 224   | 31.69 | 0.84  | 50    | 198   | 28.09        | 0.95  | 59    | 168   | 23.88 | 1.12  | 68           | 145   | 20.57 | 1.30  | 73    | 136   | 19.27        | 1.38  | 82    | 120   | 17.03 | 1.57  | 98           | 101   | 14.33 | 1.86  | 109   | 91    | 12.87        | 2.1   | 126   | 78    | 11.08 | 2.3   | 134          | 73    | 10.42 | 2.4   | 156   | 63    | 8.97         | 2.6   | 175   | 56    | 8.01  | 2.8   | 206          | 48    | 6.81  | 2.7   | 229   | 43    | 6.11         | 2.9   | 266   | 37    | 5.27  | 3.2   | 283          | 35    | 4.95 | 3.2   | 329  | 30    | 4.26         | 3.4   | 367  | 27    | 3.81 | 3.7   | <b>1.5kW</b> |       |      |       |      |       | <b>1.5kW</b> |       |      |       |              |       | 0.58         | 22102 | 2427 | 0.77  | 0.64         | 19898 | 2185         | 0.85  | 0.72         | 17703 | 1944         | 0.96  | 0.84         | 15244 | 1674         | 1.11  | 1.1  | 11911 | 1308 | 1.42  | 1.2  | 10646 | 1169 | 1.59  | 1.5  | 8679  | 953  | 1.95  | 1.7  | 7695  | 845  | 2.2   | 3.1  | 4062  | 446  | 4.2   | 4.7  | 2741  | 301  | 6.2   | 0.86 | 14744 | 1619 | 0.77  | 1.0  | 12758 | 1401 | 0.88  | 1.1  | 11201 | 1230 | 1.01  | 1.3  | 9881 | 1085 | 1.14  | 1.5  | 8533  | 937  | 1.32  | 1.7  | 7531  | 827  | 1.50  | 1.9  | 6675  | 733  | 1.69  | 2.2  | 5828  | 640  | 1.94 | 1.5  | 8651 | 950  | 0.83 | 1.7 | 7595 | 834 | 0.95 | 1.9 | 6702 | 736 | 1.08 | 2.2 | 5710 | 627 | 1.26 |     |      |     |      |     |      |     |      |     |      |
| 3.6           | 2765       | 254.79   | 1.46                   | F 97         | 6       | 4.0           | 2456       | 226.34       | 1.65                   |              |         | 4.8          | 2045  | 188.50       | 2.0  |              |       | 5.2          | 1908 | 175.83       | 2.1   |              |      | 5.1          | 1951  | 276.64       | 2.1  | 5.5          | 1797  |              |      | 254.79       | 2.2   | F 97         | 4    | 6.2          | 1596  | 226.34       | 2.5  |              |       | 3.3          | 2951 | 271.92       | 0.96  |              |      | 3.6          | 2766  | 254.93       | 1.02 | F 87         | 6     | 4.0          | 2480 | 228.57       | 1.14  |              |      | 4.6          | 2136  | 196.85       | 1.32 |              |       | 5.1          | 1942 | 178.95       | 1.45  |              |      | 5.7          | 1732  | 159.61       | 1.63 | 5.2          | 1911  |              |      | 271.92       | 1.48  | 5.5          | 1798 |              |       | 254.93       | 1.57 | F 87         | 4     | 6.1          | 1612 | 228.57       | 1.75  |              |      | 7.1          | 1388  | 196.85       | 2.0  |              |       | 7.8          | 1262 | 178.95       | 2.2   |              |      | 8.8          | 1126  | 159.61       | 2.5  | 10     | 946   |              |      | 134.16 | 3.0   | 11     | 870  |              |       | 123.29 | 3.2  | 7.1    | 1399  |              |       | 198.31 | 1.01  | 7.4   | 1329  | 188.40       | 1.06  |        |       | F 77   | 4     | 8.4          | 1174  |        |       |        |       | 166.47       | 1.20  | 9.8    | 1003  |        |       |              |       | 142.27 | 1.41  |        |       | 11           | 920   | 130.42 | 1.53  |        |       | 12           | 807   | 114.45 | 1.75  | 13     | 765   |              |       | 108.46 | 1.84  |        |       | 15           | 670   | 94.93  | 2.1   | 16     | 603   |              |       | 85.52  | 2.3   | 19     | 529   |              |       | 75.02  | 2.7   |              |       | 12           | 853   | 120.79 | 0.9   | 13           | 769   | 109.04 | 1.0   | F 67   | 4     | 15           | 677   | 95.94  | 1.1   |       |       | 15           | 639   | 90.59  | 1.2   | 18     | 550   |              |       | 77.97  | 1.4   | 21    | 466   | 66.13        | 1.7   |       |       | 23     | 421   | 59.70        | 1.8   | 27     | 371   |       |       |              |       | 52.53        | 2.1   |        |       | 28     | 350   |              |       |              |       |        |       |       |       |              |       |              |       | 49.60 | 2.2   | 33    | 298   | 42.23        | 2.6   | 36    | 271   | 38.38 | 2.7   | 42           | 234   | 33.24 | 3.0   | 25    | 396   | 56.09        | 0.95  | 29    | 336   | 47.66 | 1.12  | 33           | 300   | 42.55 | 1.25  | 39    | 256   | 36.34        | 1.47  | 41    | 240   | 34.04 | 1.57  | 49           | 202   | 28.67 | 1.86  | 46    | 216   | 30.64        | 1.74  | 48    | 205   | 29.11 | 1.83  | 55           | 180   | 25.54 | 2.1   | 65    | 153   | 21.66        | 2.5   | 72    | 138   | 19.56 | 2.7   | 44           | 224   | 31.69 | 0.84  | 50    | 198   | 28.09        | 0.95  | 59    | 168   | 23.88 | 1.12  | 68           | 145   | 20.57 | 1.30  | 73    | 136   | 19.27        | 1.38  | 82    | 120   | 17.03 | 1.57  | 98           | 101   | 14.33 | 1.86  | 109   | 91    | 12.87        | 2.1   | 126   | 78    | 11.08 | 2.3   | 134          | 73    | 10.42 | 2.4   | 156   | 63    | 8.97         | 2.6   | 175   | 56    | 8.01  | 2.8   | 206          | 48    | 6.81  | 2.7   | 229   | 43    | 6.11         | 2.9   | 266   | 37    | 5.27  | 3.2   | 283          | 35    | 4.95  | 3.2   | 329   | 30    | 4.26         | 3.4   | 367  | 27    | 3.81 | 3.7   | <b>1.5kW</b> |       |      |       |      |       | <b>1.5kW</b> |       |      |       |      |       | 0.58         | 22102 | 2427 | 0.77  | 0.64         | 19898 | 2185         | 0.85  | 0.72 | 17703 | 1944         | 0.96  | 0.84         | 15244 | 1674         | 1.11  | 1.1          | 11911 | 1308         | 1.42  | 1.2          | 10646 | 1169 | 1.59  | 1.5  | 8679  | 953  | 1.95  | 1.7  | 7695  | 845  | 2.2   | 3.1  | 4062  | 446  | 4.2   | 4.7  | 2741  | 301  | 6.2   | 0.86 | 14744 | 1619 | 0.77  | 1.0  | 12758 | 1401 | 0.88  | 1.1  | 11201 | 1230 | 1.01  | 1.3  | 9881  | 1085 | 1.14  | 1.5  | 8533  | 937  | 1.32 | 1.7  | 7531  | 827  | 1.50  | 1.9  | 6675  | 733  | 1.69  | 2.2  | 5828  | 640  | 1.94  | 1.5  | 8651  | 950  | 0.83  | 1.7  | 7595 | 834  | 0.95 | 1.9  | 6702 | 736 | 1.08 | 2.2 | 5710 | 627 | 1.26 |     |      |     |      |     |      |     |      |     |      |     |      |     |      |     |      |
| 4.0           | 2456       | 226.34   | 1.65                   |              |         | 4.8           | 2045       | 188.50       | 2.0                    |              |         | 5.2          | 1908  | 175.83       | 2.1  |              |       | 5.1          | 1951 | 276.64       | 2.1   |              |      | 5.5          | 1797  | 254.79       | 2.2  | F 97         | 4     | 6.2          | 1596 | 226.34       | 2.5   |              |      | 3.3          | 2951  | 271.92       | 0.96 |              |       | 3.6          | 2766 | 254.93       | 1.02  | F 87         | 6    | 4.0          | 2480  | 228.57       | 1.14 |              |       | 4.6          | 2136 | 196.85       | 1.32  |              |      | 5.1          | 1942  | 178.95       | 1.45 |              |       | 5.7          | 1732 | 159.61       | 1.63  |              |      | 5.2          | 1911  | 271.92       | 1.48 | 5.5          | 1798  |              |      | 254.93       | 1.57  | F 87         | 4    | 6.1          | 1612  | 228.57       | 1.75 |              |       | 7.1          | 1388 | 196.85       | 2.0   |              |      | 7.8          | 1262  | 178.95       | 2.2  |              |       | 8.8          | 1126 | 159.61       | 2.5   |              |      | 10           | 946   | 134.16       | 3.0  | 11     | 870   |              |      | 123.29 | 3.2   | 7.1    | 1399 |              |       | 198.31 | 1.01 | 7.4    | 1329  |              |       | 188.40 | 1.06  | F 77  | 4     | 8.4          | 1174  |        |       |        |       | 166.47       | 1.20  |        |       |        |       | 9.8          | 1003  | 142.27 | 1.41  |        |       |              |       | 11     | 920   | 130.42 | 1.53  | 12           | 807   | 114.45 | 1.75  |        |       | 13           | 765   | 108.46 | 1.84  | 15     | 670   |              |       | 94.93  | 2.1   |        |       | 16           | 603   | 85.52  | 2.3   | 19     | 529   |              |       | 75.02  | 2.7   | 12     | 853   |              |       | 120.79 | 0.9   | 13           | 769   | 109.04       | 1.0   | F 67   | 4     | 15           | 677   | 95.94  | 1.1   |        |       | 15           | 639   | 90.59  | 1.2   |       |       | 18           | 550   | 77.97  | 1.4   | 21     | 466   |              |       | 66.13  | 1.7   | 23    | 421   | 59.70        | 1.8   |       |       | 27     | 371   | 52.53        | 2.1   | 28     | 350   | 49.60 | 2.2   |              |       | 33           | 298   |        |       | 42.23  | 2.6   |              |       |              |       |        |       |       |       |              |       |              |       | 36    | 271   | 38.38 | 2.7   | 42           | 234   | 33.24 | 3.0   | 25    | 396   | 56.09        | 0.95  | 29    | 336   | 47.66 | 1.12  | 33           | 300   | 42.55 | 1.25  | 39    | 256   | 36.34        | 1.47  | 41    | 240   | 34.04 | 1.57  | 49           | 202   | 28.67 | 1.86  | 46    | 216   | 30.64        | 1.74  | 48    | 205   | 29.11 | 1.83  | 55           | 180   | 25.54 | 2.1   | 65    | 153   | 21.66        | 2.5   | 72    | 138   | 19.56 | 2.7   | 44           | 224   | 31.69 | 0.84  | 50    | 198   | 28.09        | 0.95  | 59    | 168   | 23.88 | 1.12  | 68           | 145   | 20.57 | 1.30  | 73    | 136   | 19.27        | 1.38  | 82    | 120   | 17.03 | 1.57  | 98           | 101   | 14.33 | 1.86  | 109   | 91    | 12.87        | 2.1   | 126   | 78    | 11.08 | 2.3   | 134          | 73    | 10.42 | 2.4   | 156   | 63    | 8.97         | 2.6   | 175   | 56    | 8.01  | 2.8   | 206          | 48    | 6.81  | 2.7   | 229   | 43    | 6.11         | 2.9   | 266   | 37    | 5.27  | 3.2   | 283          | 35    | 4.95  | 3.2   | 329   | 30    | 4.26         | 3.4   | 367   | 27    | 3.81  | 3.7   | <b>1.5kW</b> |       |      |       |      |       | <b>1.5kW</b> |       |      |       |      |       | 0.58         | 22102 | 2427 | 0.77  | 0.64 | 19898 | 2185         | 0.85  | 0.72 | 17703 | 1944         | 0.96  | 0.84         | 15244 | 1674 | 1.11  | 1.1          | 11911 | 1308         | 1.42  | 1.2          | 10646 | 1169         | 1.59  | 1.5          | 8679  | 953          | 1.95  | 1.7  | 7695  | 845  | 2.2   | 3.1  | 4062  | 446  | 4.2   | 4.7  | 2741  | 301  | 6.2   | 0.86 | 14744 | 1619 | 0.77  | 1.0  | 12758 | 1401 | 0.88  | 1.1  | 11201 | 1230 | 1.01  | 1.3  | 9881  | 1085 | 1.14  | 1.5  | 8533  | 937  | 1.32  | 1.7  | 7531  | 827  | 1.50  | 1.9  | 6675 | 733  | 1.69  | 2.2  | 5828  | 640  | 1.94  | 1.5  | 8651  | 950  | 0.83  | 1.7  | 7595  | 834  | 0.95  | 1.9  | 6702  | 736  | 1.08 | 2.2  | 5710 | 627  | 1.26 |     |      |     |      |     |      |     |      |     |      |     |      |     |      |     |      |     |      |     |      |     |      |
| 4.8           | 2045       | 188.50   | 2.0                    |              |         | 5.2           | 1908       | 175.83       | 2.1                    |              |         | 5.1          | 1951  | 276.64       | 2.1  |              |       | 5.5          | 1797 | 254.79       | 2.2   | F 97         | 4    | 6.2          | 1596  | 226.34       | 2.5  |              |       | 3.3          | 2951 | 271.92       | 0.96  |              |      | 3.6          | 2766  | 254.93       | 1.02 | F 87         | 6     | 4.0          | 2480 | 228.57       | 1.14  |              |      | 4.6          | 2136  | 196.85       | 1.32 |              |       | 5.1          | 1942 | 178.95       | 1.45  |              |      | 5.7          | 1732  | 159.61       | 1.63 |              |       | 5.2          | 1911 | 271.92       | 1.48  |              |      | 5.5          | 1798  | 254.93       | 1.57 | F 87         | 4     | 6.1          | 1612 | 228.57       | 1.75  |              |      | 7.1          | 1388  | 196.85       | 2.0  |              |       | 7.8          | 1262 | 178.95       | 2.2   |              |      | 8.8          | 1126  | 159.61       | 2.5  |              |       | 10           | 946  | 134.16       | 3.0   |              |      | 11           | 870   | 123.29       | 3.2  | 7.1    | 1399  |              |      | 198.31 | 1.01  | 7.4    | 1329 |              |       | 188.40 | 1.06 | F 77   | 4     |              |       | 8.4    | 1174  |       |       | 166.47       | 1.20  |        |       |        |       | 9.8          | 1003  |        |       |        |       | 142.27       | 1.41  | 11     | 920   | 130.42 | 1.53  |              |       | 12     | 807   | 114.45 | 1.75  | 13           | 765   | 108.46 | 1.84  |        |       | 15           | 670   | 94.93  | 2.1   | 16     | 603   |              |       | 85.52  | 2.3   |        |       | 19           | 529   | 75.02  | 2.7   | 12     | 853   |              |       | 120.79 | 0.9   | 13     | 769   | 109.04       | 1.0   | F 67   | 4     | 15           | 677   | 95.94        | 1.1   |        |       | 15           | 639   | 90.59  | 1.2   |        |       | 18           | 550   | 77.97  | 1.4   |       |       | 21           | 466   | 66.13  | 1.7   | 23     | 421   |              |       | 59.70  | 1.8   | 27    | 371   | 52.53        | 2.1   |       |       | 28     | 350   | 49.60        | 2.2   | 33     | 298   | 42.23 | 2.6   |              |       | 36           | 271   |        |       | 38.38  | 2.7   | 42           | 234   |              |       |        |       |       |       |              |       |              |       | 33.24 | 3.0   | 25    | 396   | 56.09        | 0.95  | 29    | 336   | 47.66 | 1.12  | 33           | 300   | 42.55 | 1.25  | 39    | 256   | 36.34        | 1.47  | 41    | 240   | 34.04 | 1.57  | 49           | 202   | 28.67 | 1.86  | 46    | 216   | 30.64        | 1.74  | 48    | 205   | 29.11 | 1.83  | 55           | 180   | 25.54 | 2.1   | 65    | 153   | 21.66        | 2.5   | 72    | 138   | 19.56 | 2.7   | 44           | 224   | 31.69 | 0.84  | 50    | 198   | 28.09        | 0.95  | 59    | 168   | 23.88 | 1.12  | 68           | 145   | 20.57 | 1.30  | 73    | 136   | 19.27        | 1.38  | 82    | 120   | 17.03 | 1.57  | 98           | 101   | 14.33 | 1.86  | 109   | 91    | 12.87        | 2.1   | 126   | 78    | 11.08 | 2.3   | 134          | 73    | 10.42 | 2.4   | 156   | 63    | 8.97         | 2.6   | 175   | 56    | 8.01  | 2.8   | 206          | 48    | 6.81  | 2.7   | 229   | 43    | 6.11         | 2.9   | 266   | 37    | 5.27  | 3.2   | 283          | 35    | 4.95  | 3.2   | 329   | 30    | 4.26         | 3.4   | 367   | 27    | 3.81  | 3.7   | <b>1.5kW</b> |       |       |       |       |       | <b>1.5kW</b> |       |      |       |      |       | 0.58         | 22102 | 2427 | 0.77  | 0.64 | 19898 | 2185         | 0.85  | 0.72 | 17703 | 1944 | 0.96  | 0.84         | 15244 | 1674 | 1.11  | 1.1          | 11911 | 1308         | 1.42  | 1.2  | 10646 | 1169         | 1.59  | 1.5          | 8679  | 953          | 1.95  | 1.7          | 7695  | 845          | 2.2   | 3.1          | 4062  | 446  | 4.2   | 4.7  | 2741  | 301  | 6.2   | 0.86 | 14744 | 1619 | 0.77  | 1.0  | 12758 | 1401 | 0.88  | 1.1  | 11201 | 1230 | 1.01  | 1.3  | 9881  | 1085 | 1.14  | 1.5  | 8533  | 937  | 1.32  | 1.7  | 7531  | 827  | 1.50  | 1.9  | 6675  | 733  | 1.69  | 2.2  | 5828  | 640  | 1.94 | 1.5  | 8651  | 950  | 0.83  | 1.7  | 7595  | 834  | 0.95  | 1.9  | 6702  | 736  | 1.08  | 2.2  | 5710  | 627  | 1.26  |      |      |      |      |      |      |     |      |     |      |     |      |     |      |     |      |     |      |     |      |     |      |     |      |     |      |     |      |
| 5.2           | 1908       | 175.83   | 2.1                    |              |         | 5.1           | 1951       | 276.64       | 2.1                    |              |         | 5.5          | 1797  | 254.79       | 2.2  | F 97         | 4     | 6.2          | 1596 | 226.34       | 2.5   |              |      | 3.3          | 2951  | 271.92       | 0.96 |              |       | 3.6          | 2766 | 254.93       | 1.02  | F 87         | 6    | 4.0          | 2480  | 228.57       | 1.14 |              |       | 4.6          | 2136 | 196.85       | 1.32  |              |      | 5.1          | 1942  | 178.95       | 1.45 |              |       | 5.7          | 1732 | 159.61       | 1.63  |              |      | 5.2          | 1911  | 271.92       | 1.48 |              |       | 5.5          | 1798 | 254.93       | 1.57  | F 87         | 4    | 6.1          | 1612  | 228.57       | 1.75 |              |       | 7.1          | 1388 | 196.85       | 2.0   |              |      | 7.8          | 1262  | 178.95       | 2.2  |              |       | 8.8          | 1126 | 159.61       | 2.5   |              |      | 10           | 946   | 134.16       | 3.0  |              |       | 11           | 870  | 123.29       | 3.2   |              |      | 7.1          | 1399  | 198.31       | 1.01 | 7.4    | 1329  |              |      | 188.40 | 1.06  | F 77   | 4    |              |       | 8.4    | 1174 |        |       |              |       | 166.47 | 1.20  |       |       | 9.8          | 1003  |        |       |        |       | 142.27       | 1.41  |        |       | 11     | 920   | 130.42       | 1.53  | 12     | 807   | 114.45 | 1.75  |              |       | 13     | 765   | 108.46 | 1.84  | 15           | 670   | 94.93  | 2.1   |        |       | 16           | 603   | 85.52  | 2.3   | 19     | 529   |              |       | 75.02  | 2.7   |        |       | 12           | 853   | 120.79 | 0.9   | 13     | 769   | 109.04       | 1.0   | F 67   | 4     | 15     | 677   | 95.94        | 1.1   |        |       | 15           | 639   | 90.59        | 1.2   |        |       | 18           | 550   | 77.97  | 1.4   |        |       | 21           | 466   | 66.13  | 1.7   |       |       | 23           | 421   | 59.70  | 1.8   | 27     | 371   |              |       | 52.53  | 2.1   | 28    | 350   | 49.60        | 2.2   |       |       | 33     | 298   | 42.23        | 2.6   | 36     | 271   | 38.38 | 2.7   |              |       | 42           | 234   |        |       | 33.24  | 3.0   | 25           | 396   |              |       |        |       | 56.09 | 0.95  |              |       |              |       | 29    | 336   | 47.66 | 1.12  | 33           | 300   | 42.55 | 1.25  | 39    | 256   | 36.34        | 1.47  | 41    | 240   | 34.04 | 1.57  | 49           | 202   | 28.67 | 1.86  | 46    | 216   | 30.64        | 1.74  | 48    | 205   | 29.11 | 1.83  | 55           | 180   | 25.54 | 2.1   | 65    | 153   | 21.66        | 2.5   | 72    | 138   | 19.56 | 2.7   | 44           | 224   | 31.69 | 0.84  | 50    | 198   | 28.09        | 0.95  | 59    | 168   | 23.88 | 1.12  | 68           | 145   | 20.57 | 1.30  | 73    | 136   | 19.27        | 1.38  | 82    | 120   | 17.03 | 1.57  | 98           | 101   | 14.33 | 1.86  | 109   | 91    | 12.87        | 2.1   | 126   | 78    | 11.08 | 2.3   | 134          | 73    | 10.42 | 2.4   | 156   | 63    | 8.97         | 2.6   | 175   | 56    | 8.01  | 2.8   | 206          | 48    | 6.81  | 2.7   | 229   | 43    | 6.11         | 2.9   | 266   | 37    | 5.27  | 3.2   | 283          | 35    | 4.95  | 3.2   | 329   | 30    | 4.26         | 3.4   | 367   | 27    | 3.81  | 3.7   | <b>1.5kW</b> |       |       |       |       |       | <b>1.5kW</b> |       |       |       |       |       | 0.58         | 22102 | 2427 | 0.77  | 0.64 | 19898 | 2185         | 0.85  | 0.72 | 17703 | 1944 | 0.96  | 0.84         | 15244 | 1674 | 1.11  | 1.1  | 11911 | 1308         | 1.42  | 1.2  | 10646 | 1169         | 1.59  | 1.5          | 8679  | 953  | 1.95  | 1.7          | 7695  | 845          | 2.2   | 3.1          | 4062  | 446          | 4.2   | 4.7          | 2741  | 301          | 6.2   | 0.86 | 14744 | 1619 | 0.77  | 1.0  | 12758 | 1401 | 0.88  | 1.1  | 11201 | 1230 | 1.01  | 1.3  | 9881  | 1085 | 1.14  | 1.5  | 8533  | 937  | 1.32  | 1.7  | 7531  | 827  | 1.50  | 1.9  | 6675  | 733  | 1.69  | 2.2  | 5828  | 640  | 1.94  | 1.5  | 8651  | 950  | 0.83  | 1.7  | 7595 | 834  | 0.95  | 1.9  | 6702  | 736  | 1.08  | 2.2  | 5710  | 627  | 1.26  |      |       |      |       |      |       |      |      |      |      |      |      |     |      |     |      |     |      |     |      |     |      |     |      |     |      |     |      |     |      |     |      |     |      |
| 5.1           | 1951       | 276.64   | 2.1                    |              |         | 5.5           | 1797       | 254.79       | 2.2                    | F 97         | 4       | 6.2          | 1596  | 226.34       | 2.5  |              |       | 3.3          | 2951 | 271.92       | 0.96  |              |      | 3.6          | 2766  | 254.93       | 1.02 | F 87         | 6     | 4.0          | 2480 | 228.57       | 1.14  |              |      | 4.6          | 2136  | 196.85       | 1.32 |              |       | 5.1          | 1942 | 178.95       | 1.45  |              |      | 5.7          | 1732  | 159.61       | 1.63 |              |       | 5.2          | 1911 | 271.92       | 1.48  |              |      | 5.5          | 1798  | 254.93       | 1.57 | F 87         | 4     | 6.1          | 1612 | 228.57       | 1.75  |              |      | 7.1          | 1388  | 196.85       | 2.0  |              |       | 7.8          | 1262 | 178.95       | 2.2   |              |      | 8.8          | 1126  | 159.61       | 2.5  |              |       | 10           | 946  | 134.16       | 3.0   |              |      | 11           | 870   | 123.29       | 3.2  |              |       | 7.1          | 1399 | 198.31       | 1.01  |              |      | 7.4          | 1329  | 188.40       | 1.06 | F 77   | 4     |              |      | 8.4    | 1174  |        |      |              |       | 166.47 | 1.20 |        |       |              |       | 9.8    | 1003  |       |       | 142.27       | 1.41  | 11     | 920   |        |       | 130.42       | 1.53  |        |       | 12     | 807   | 114.45       | 1.75  | 13     | 765   | 108.46 | 1.84  |              |       | 15     | 670   | 94.93  | 2.1   | 16           | 603   | 85.52  | 2.3   |        |       | 19           | 529   | 75.02  | 2.7   | 12     | 853   |              |       | 120.79 | 0.9   | 13     | 769   | 109.04       | 1.0   | F 67   | 4     | 15     | 677   | 95.94        | 1.1   |        |       | 15     | 639   | 90.59        | 1.2   |        |       | 18           | 550   | 77.97        | 1.4   |        |       | 21           | 466   | 66.13  | 1.7   |        |       | 23           | 421   | 59.70  | 1.8   |       |       | 27           | 371   | 52.53  | 2.1   | 28     | 350   |              |       | 49.60  | 2.2   | 33    | 298   | 42.23        | 2.6   |       |       | 36     | 271   | 38.38        | 2.7   | 42     | 234   | 33.24 | 3.0   |              |       | 25           | 396   |        |       | 56.09  | 0.95  | 29           | 336   |              |       |        |       | 47.66 | 1.12  | 33           | 300   |              |       | 42.55 | 1.25  | 39    | 256   | 36.34        | 1.47  | 41    | 240   | 34.04 | 1.57  | 49           | 202   | 28.67 | 1.86  | 46    | 216   | 30.64        | 1.74  | 48    | 205   | 29.11 | 1.83  | 55           | 180   | 25.54 | 2.1   | 65    | 153   | 21.66        | 2.5   | 72    | 138   | 19.56 | 2.7   | 44           | 224   | 31.69 | 0.84  | 50    | 198   | 28.09        | 0.95  | 59    | 168   | 23.88 | 1.12  | 68           | 145   | 20.57 | 1.30  | 73    | 136   | 19.27        | 1.38  | 82    | 120   | 17.03 | 1.57  | 98           | 101   | 14.33 | 1.86  | 109   | 91    | 12.87        | 2.1   | 126   | 78    | 11.08 | 2.3   | 134          | 73    | 10.42 | 2.4   | 156   | 63    | 8.97         | 2.6   | 175   | 56    | 8.01  | 2.8   | 206          | 48    | 6.81  | 2.7   | 229   | 43    | 6.11         | 2.9   | 266   | 37    | 5.27  | 3.2   | 283          | 35    | 4.95  | 3.2   | 329   | 30    | 4.26         | 3.4   | 367   | 27    | 3.81  | 3.7   | <b>1.5kW</b> |       |       |       |       |       | <b>1.5kW</b> |       |       |       |       |       | 0.58         | 22102 | 2427  | 0.77  | 0.64  | 19898 | 2185         | 0.85  | 0.72 | 17703 | 1944 | 0.96  | 0.84         | 15244 | 1674 | 1.11  | 1.1  | 11911 | 1308         | 1.42  | 1.2  | 10646 | 1169 | 1.59  | 1.5          | 8679  | 953  | 1.95  | 1.7          | 7695  | 845          | 2.2   | 3.1  | 4062  | 446          | 4.2   | 4.7          | 2741  | 301          | 6.2   | 0.86         | 14744 | 1619         | 0.77  | 1.0          | 12758 | 1401 | 0.88  | 1.1  | 11201 | 1230 | 1.01  | 1.3  | 9881  | 1085 | 1.14  | 1.5  | 8533  | 937  | 1.32  | 1.7  | 7531  | 827  | 1.50  | 1.9  | 6675  | 733  | 1.69  | 2.2  | 5828  | 640  | 1.94  | 1.5  | 8651  | 950  | 0.83  | 1.7  | 7595  | 834  | 0.95  | 1.9  | 6702  | 736  | 1.08 | 2.2  | 5710  | 627  | 1.26  |      |       |      |       |      |       |      |       |      |       |      |       |      |      |      |      |      |      |     |      |     |      |     |      |     |      |     |      |     |      |     |      |     |      |     |      |     |      |     |      |
| 5.5           | 1797       | 254.79   | 2.2                    | F 97         | 4       | 6.2           | 1596       | 226.34       | 2.5                    |              |         | 3.3          | 2951  | 271.92       | 0.96 |              |       | 3.6          | 2766 | 254.93       | 1.02  | F 87         | 6    | 4.0          | 2480  | 228.57       | 1.14 |              |       | 4.6          | 2136 | 196.85       | 1.32  |              |      | 5.1          | 1942  | 178.95       | 1.45 |              |       | 5.7          | 1732 | 159.61       | 1.63  |              |      | 5.2          | 1911  | 271.92       | 1.48 |              |       | 5.5          | 1798 | 254.93       | 1.57  | F 87         | 4    | 6.1          | 1612  | 228.57       | 1.75 |              |       | 7.1          | 1388 | 196.85       | 2.0   |              |      | 7.8          | 1262  | 178.95       | 2.2  |              |       | 8.8          | 1126 | 159.61       | 2.5   |              |      | 10           | 946   | 134.16       | 3.0  |              |       | 11           | 870  | 123.29       | 3.2   |              |      | 7.1          | 1399  | 198.31       | 1.01 |              |       | 7.4          | 1329 | 188.40       | 1.06  |              |      | F 77         | 4     | 8.4          | 1174 |        |       |              |      | 166.47 | 1.20  |        |      |              |       | 9.8    | 1003 |        |       | 142.27       | 1.41  | 11     | 920   |       |       | 130.42       | 1.53  | 12     | 807   |        |       | 114.45       | 1.75  |        |       | 13     | 765   | 108.46       | 1.84  | 15     | 670   | 94.93  | 2.1   |              |       | 16     | 603   | 85.52  | 2.3   | 19           | 529   | 75.02  | 2.7   |        |       | 12           | 853   | 120.79 | 0.9   | 13     | 769   | 109.04       | 1.0   | F 67   | 4     | 15     | 677   | 95.94        | 1.1   |        |       | 15     | 639   | 90.59        | 1.2   |        |       | 18     | 550   | 77.97        | 1.4   |        |       | 21           | 466   | 66.13        | 1.7   |        |       | 23           | 421   | 59.70  | 1.8   |        |       | 27           | 371   | 52.53  | 2.1   |       |       | 28           | 350   | 49.60  | 2.2   | 33     | 298   |              |       | 42.23  | 2.6   | 36    | 271   | 38.38        | 2.7   |       |       | 42     | 234   | 33.24        | 3.0   | 25     | 396   | 56.09 | 0.95  |              |       | 29           | 336   |        |       | 47.66  | 1.12  | 33           | 300   |              |       |        |       | 42.55 | 1.25  | 39           | 256   | 36.34        | 1.47  | 41    | 240   | 34.04 | 1.57  | 49           | 202   | 28.67 | 1.86  | 46    | 216   | 30.64        | 1.74  | 48    | 205   | 29.11 | 1.83  | 55           | 180   | 25.54 | 2.1   | 65    | 153   | 21.66        | 2.5   | 72    | 138   | 19.56 | 2.7   | 44           | 224   | 31.69 | 0.84  | 50    | 198   | 28.09        | 0.95  | 59    | 168   | 23.88 | 1.12  | 68           | 145   | 20.57 | 1.30  | 73    | 136   | 19.27        | 1.38  | 82    | 120   | 17.03 | 1.57  | 98           | 101   | 14.33 | 1.86  | 109   | 91    | 12.87        | 2.1   | 126   | 78    | 11.08 | 2.3   | 134          | 73    | 10.42 | 2.4   | 156   | 63    | 8.97         | 2.6   | 175   | 56    | 8.01  | 2.8   | 206          | 48    | 6.81  | 2.7   | 229   | 43    | 6.11         | 2.9   | 266   | 37    | 5.27  | 3.2   | 283          | 35    | 4.95  | 3.2   | 329   | 30    | 4.26         | 3.4   | 367   | 27    | 3.81  | 3.7   | <b>1.5kW</b> |       |       |       |       |       | <b>1.5kW</b> |       |       |       |       |       | 0.58         | 22102 | 2427  | 0.77  | 0.64  | 19898 | 2185         | 0.85  | 0.72  | 17703 | 1944  | 0.96  | 0.84         | 15244 | 1674 | 1.11  | 1.1  | 11911 | 1308         | 1.42  | 1.2  | 10646 | 1169 | 1.59  | 1.5          | 8679  | 953  | 1.95  | 1.7  | 7695  | 845          | 2.2   | 3.1  | 4062  | 446          | 4.2   | 4.7          | 2741  | 301  | 6.2   | 0.86         | 14744 | 1619         | 0.77  | 1.0          | 12758 | 1401         | 0.88  | 1.1          | 11201 | 1230         | 1.01  | 1.3  | 9881  | 1085 | 1.14  | 1.5  | 8533  | 937  | 1.32  | 1.7  | 7531  | 827  | 1.50  | 1.9  | 6675  | 733  | 1.69  | 2.2  | 5828  | 640  | 1.94  | 1.5  | 8651  | 950  | 0.83  | 1.7  | 7595  | 834  | 0.95  | 1.9  | 6702  | 736  | 1.08  | 2.2  | 5710  | 627  | 1.26  |      |      |      |       |      |       |      |       |      |       |      |       |      |       |      |       |      |       |      |      |      |      |      |      |     |      |     |      |     |      |     |      |     |      |     |      |     |      |     |      |     |      |     |      |     |      |
| 6.2           | 1596       | 226.34   | 2.5                    |              |         | 3.3           | 2951       | 271.92       | 0.96                   |              |         | 3.6          | 2766  | 254.93       | 1.02 | F 87         | 6     | 4.0          | 2480 | 228.57       | 1.14  |              |      | 4.6          | 2136  | 196.85       | 1.32 |              |       | 5.1          | 1942 | 178.95       | 1.45  |              |      | 5.7          | 1732  | 159.61       | 1.63 |              |       | 5.2          | 1911 | 271.92       | 1.48  |              |      | 5.5          | 1798  | 254.93       | 1.57 | F 87         | 4     | 6.1          | 1612 | 228.57       | 1.75  |              |      | 7.1          | 1388  | 196.85       | 2.0  |              |       | 7.8          | 1262 | 178.95       | 2.2   |              |      | 8.8          | 1126  | 159.61       | 2.5  |              |       | 10           | 946  | 134.16       | 3.0   |              |      | 11           | 870   | 123.29       | 3.2  |              |       | 7.1          | 1399 | 198.31       | 1.01  |              |      | 7.4          | 1329  | 188.40       | 1.06 |              |       | F 77         | 4    | 8.4          | 1174  |              |      |              |       | 166.47       | 1.20 |        |       |              |      | 9.8    | 1003  |        |      | 142.27       | 1.41  | 11     | 920  |        |       | 130.42       | 1.53  | 12     | 807   |       |       | 114.45       | 1.75  | 13     | 765   |        |       | 108.46       | 1.84  |        |       | 15     | 670   | 94.93        | 2.1   | 16     | 603   | 85.52  | 2.3   |              |       | 19     | 529   | 75.02  | 2.7   | 12           | 853   | 120.79 | 0.9   | 13     | 769   | 109.04       | 1.0   | F 67   | 4     | 15     | 677   | 95.94        | 1.1   |        |       | 15     | 639   | 90.59        | 1.2   |        |       | 18     | 550   | 77.97        | 1.4   |        |       | 21     | 466   | 66.13        | 1.7   |        |       | 23           | 421   | 59.70        | 1.8   |        |       | 27           | 371   | 52.53  | 2.1   |        |       | 28           | 350   | 49.60  | 2.2   |       |       | 33           | 298   | 42.23  | 2.6   | 36     | 271   |              |       | 38.38  | 2.7   | 42    | 234   | 33.24        | 3.0   |       |       | 25     | 396   | 56.09        | 0.95  | 29     | 336   | 47.66 | 1.12  |              |       | 33           | 300   |        |       | 42.55  | 1.25  | 39           | 256   |              |       | 36.34  | 1.47  | 41    | 240   | 34.04        | 1.57  | 49           | 202   | 28.67 | 1.86  | 46    | 216   | 30.64        | 1.74  | 48    | 205   | 29.11 | 1.83  | 55           | 180   | 25.54 | 2.1   | 65    | 153   | 21.66        | 2.5   | 72    | 138   | 19.56 | 2.7   | 44           | 224   | 31.69 | 0.84  | 50    | 198   | 28.09        | 0.95  | 59    | 168   | 23.88 | 1.12  | 68           | 145   | 20.57 | 1.30  | 73    | 136   | 19.27        | 1.38  | 82    | 120   | 17.03 | 1.57  | 98           | 101   | 14.33 | 1.86  | 109   | 91    | 12.87        | 2.1   | 126   | 78    | 11.08 | 2.3   | 134          | 73    | 10.42 | 2.4   | 156   | 63    | 8.97         | 2.6   | 175   | 56    | 8.01  | 2.8   | 206          | 48    | 6.81  | 2.7   | 229   | 43    | 6.11         | 2.9   | 266   | 37    | 5.27  | 3.2   | 283          | 35    | 4.95  | 3.2   | 329   | 30    | 4.26         | 3.4   | 367   | 27    | 3.81  | 3.7   | <b>1.5kW</b> |       |       |       |       |       | <b>1.5kW</b> |       |       |       |       |       | 0.58         | 22102 | 2427  | 0.77  | 0.64  | 19898 | 2185         | 0.85  | 0.72  | 17703 | 1944  | 0.96  | 0.84         | 15244 | 1674  | 1.11  | 1.1   | 11911 | 1308         | 1.42  | 1.2  | 10646 | 1169 | 1.59  | 1.5          | 8679  | 953  | 1.95  | 1.7  | 7695  | 845          | 2.2   | 3.1  | 4062  | 446  | 4.2   | 4.7          | 2741  | 301  | 6.2   | 0.86         | 14744 | 1619         | 0.77  | 1.0  | 12758 | 1401         | 0.88  | 1.1          | 11201 | 1230         | 1.01  | 1.3          | 9881  | 1085         | 1.14  | 1.5          | 8533  | 937  | 1.32  | 1.7  | 7531  | 827  | 1.50  | 1.9  | 6675  | 733  | 1.69  | 2.2  | 5828  | 640  | 1.94  | 1.5  | 8651  | 950  | 0.83  | 1.7  | 7595  | 834  | 0.95  | 1.9  | 6702  | 736  | 1.08  | 2.2  | 5710  | 627  | 1.26  |      |       |      |       |      |       |      |      |      |       |      |       |      |       |      |       |      |       |      |       |      |       |      |       |      |      |      |      |      |      |     |      |     |      |     |      |     |      |     |      |     |      |     |      |     |      |     |      |     |      |     |      |
| 3.3           | 2951       | 271.92   | 0.96                   |              |         | 3.6           | 2766       | 254.93       | 1.02                   | F 87         | 6       | 4.0          | 2480  | 228.57       | 1.14 |              |       | 4.6          | 2136 | 196.85       | 1.32  |              |      | 5.1          | 1942  | 178.95       | 1.45 |              |       | 5.7          | 1732 | 159.61       | 1.63  |              |      | 5.2          | 1911  | 271.92       | 1.48 |              |       | 5.5          | 1798 | 254.93       | 1.57  | F 87         | 4    | 6.1          | 1612  | 228.57       | 1.75 |              |       | 7.1          | 1388 | 196.85       | 2.0   |              |      | 7.8          | 1262  | 178.95       | 2.2  |              |       | 8.8          | 1126 | 159.61       | 2.5   |              |      | 10           | 946   | 134.16       | 3.0  |              |       | 11           | 870  | 123.29       | 3.2   |              |      | 7.1          | 1399  | 198.31       | 1.01 |              |       | 7.4          | 1329 | 188.40       | 1.06  |              |      | F 77         | 4     | 8.4          | 1174 |              |       |              |      | 166.47       | 1.20  |              |      |              |       | 9.8          | 1003 |        |       | 142.27       | 1.41 | 11     | 920   |        |      | 130.42       | 1.53  | 12     | 807  |        |       | 114.45       | 1.75  | 13     | 765   |       |       | 108.46       | 1.84  | 15     | 670   |        |       | 94.93        | 2.1   |        |       | 16     | 603   | 85.52        | 2.3   | 19     | 529   | 75.02  | 2.7   | 12           | 853   | 120.79 | 0.9   | 13     | 769   | 109.04       | 1.0   | F 67   | 4     | 15     | 677   | 95.94        | 1.1   |        |       | 15     | 639   | 90.59        | 1.2   |        |       | 18     | 550   | 77.97        | 1.4   |        |       | 21     | 466   | 66.13        | 1.7   |        |       | 23     | 421   | 59.70        | 1.8   |        |       | 27           | 371   | 52.53        | 2.1   |        |       | 28           | 350   | 49.60  | 2.2   |        |       | 33           | 298   | 42.23  | 2.6   |       |       | 36           | 271   | 38.38  | 2.7   | 42     | 234   |              |       | 33.24  | 3.0   | 25    | 396   | 56.09        | 0.95  |       |       | 29     | 336   | 47.66        | 1.12  | 33     | 300   | 42.55 | 1.25  |              |       | 39           | 256   |        |       | 36.34  | 1.47  | 41           | 240   | 34.04        | 1.57  | 49     | 202   | 28.67 | 1.86  | 46           | 216   | 30.64        | 1.74  | 48    | 205   | 29.11 | 1.83  | 55           | 180   | 25.54 | 2.1   | 65    | 153   | 21.66        | 2.5   | 72    | 138   | 19.56 | 2.7   | 44           | 224   | 31.69 | 0.84  | 50    | 198   | 28.09        | 0.95  | 59    | 168   | 23.88 | 1.12  | 68           | 145   | 20.57 | 1.30  | 73    | 136   | 19.27        | 1.38  | 82    | 120   | 17.03 | 1.57  | 98           | 101   | 14.33 | 1.86  | 109   | 91    | 12.87        | 2.1   | 126   | 78    | 11.08 | 2.3   | 134          | 73    | 10.42 | 2.4   | 156   | 63    | 8.97         | 2.6   | 175   | 56    | 8.01  | 2.8   | 206          | 48    | 6.81  | 2.7   | 229   | 43    | 6.11         | 2.9   | 266   | 37    | 5.27  | 3.2   | 283          | 35    | 4.95  | 3.2   | 329   | 30    | 4.26         | 3.4   | 367   | 27    | 3.81  | 3.7   | <b>1.5kW</b> |       |       |       |       |       | <b>1.5kW</b> |       |       |       |       |       | 0.58         | 22102 | 2427  | 0.77  | 0.64  | 19898 | 2185         | 0.85  | 0.72  | 17703 | 1944  | 0.96  | 0.84         | 15244 | 1674  | 1.11  | 1.1   | 11911 | 1308         | 1.42  | 1.2   | 10646 | 1169  | 1.59  | 1.5          | 8679  | 953  | 1.95  | 1.7  | 7695  | 845          | 2.2   | 3.1  | 4062  | 446  | 4.2   | 4.7          | 2741  | 301  | 6.2   | 0.86 | 14744 | 1619         | 0.77  | 1.0  | 12758 | 1401         | 0.88  | 1.1          | 11201 | 1230 | 1.01  | 1.3          | 9881  | 1085         | 1.14  | 1.5          | 8533  | 937          | 1.32  | 1.7          | 7531  | 827          | 1.50  | 1.9  | 6675  | 733  | 1.69  | 2.2  | 5828  | 640  | 1.94  | 1.5  | 8651  | 950  | 0.83  | 1.7  | 7595  | 834  | 0.95  | 1.9  | 6702  | 736  | 1.08  | 2.2  | 5710  | 627  | 1.26  |      |       |      |       |      |       |      |       |      |       |      |       |      |      |      |       |      |       |      |       |      |       |      |       |      |       |      |       |      |       |      |      |      |      |      |      |     |      |     |      |     |      |     |      |     |      |     |      |     |      |     |      |     |      |     |      |     |      |
| 3.6           | 2766       | 254.93   | 1.02                   | F 87         | 6       | 4.0           | 2480       | 228.57       | 1.14                   |              |         | 4.6          | 2136  | 196.85       | 1.32 |              |       | 5.1          | 1942 | 178.95       | 1.45  |              |      | 5.7          | 1732  | 159.61       | 1.63 |              |       | 5.2          | 1911 | 271.92       | 1.48  |              |      | 5.5          | 1798  | 254.93       | 1.57 | F 87         | 4     | 6.1          | 1612 | 228.57       | 1.75  |              |      | 7.1          | 1388  | 196.85       | 2.0  |              |       | 7.8          | 1262 | 178.95       | 2.2   |              |      | 8.8          | 1126  | 159.61       | 2.5  |              |       | 10           | 946  | 134.16       | 3.0   |              |      | 11           | 870   | 123.29       | 3.2  |              |       | 7.1          | 1399 | 198.31       | 1.01  |              |      | 7.4          | 1329  | 188.40       | 1.06 |              |       | F 77         | 4    | 8.4          | 1174  |              |      |              |       | 166.47       | 1.20 |              |       |              |      | 9.8          | 1003  | 142.27       | 1.41 |              |       | 11           | 920  |        |       | 130.42       | 1.53 | 12     | 807   |        |      | 114.45       | 1.75  | 13     | 765  |        |       | 108.46       | 1.84  | 15     | 670   |       |       | 94.93        | 2.1   | 16     | 603   |        |       | 85.52        | 2.3   | 19     | 529   | 75.02  | 2.7   | 12           | 853   | 120.79 | 0.9   | 13     | 769   | 109.04       | 1.0   | F 67   | 4     | 15     | 677   | 95.94        | 1.1   |        |       | 15     | 639   | 90.59        | 1.2   |        |       | 18     | 550   | 77.97        | 1.4   |        |       | 21     | 466   | 66.13        | 1.7   |        |       | 23     | 421   | 59.70        | 1.8   |        |       | 27     | 371   | 52.53        | 2.1   |        |       | 28           | 350   | 49.60        | 2.2   |        |       | 33           | 298   | 42.23  | 2.6   |        |       | 36           | 271   | 38.38  | 2.7   |       |       | 42           | 234   | 33.24  | 3.0   | 25     | 396   |              |       | 56.09  | 0.95  | 29    | 336   | 47.66        | 1.12  |       |       | 33     | 300   | 42.55        | 1.25  | 39     | 256   | 36.34 | 1.47  |              |       | 41           | 240   | 34.04  | 1.57  | 49     | 202   | 28.67        | 1.86  | 46           | 216   | 30.64  | 1.74  | 48    | 205   | 29.11        | 1.83  | 55           | 180   | 25.54 | 2.1   | 65    | 153   | 21.66        | 2.5   | 72    | 138   | 19.56 | 2.7   | 44           | 224   | 31.69 | 0.84  | 50    | 198   | 28.09        | 0.95  | 59    | 168   | 23.88 | 1.12  | 68           | 145   | 20.57 | 1.30  | 73    | 136   | 19.27        | 1.38  | 82    | 120   | 17.03 | 1.57  | 98           | 101   | 14.33 | 1.86  | 109   | 91    | 12.87        | 2.1   | 126   | 78    | 11.08 | 2.3   | 134          | 73    | 10.42 | 2.4   | 156   | 63    | 8.97         | 2.6   | 175   | 56    | 8.01  | 2.8   | 206          | 48    | 6.81  | 2.7   | 229   | 43    | 6.11         | 2.9   | 266   | 37    | 5.27  | 3.2   | 283          | 35    | 4.95  | 3.2   | 329   | 30    | 4.26         | 3.4   | 367   | 27    | 3.81  | 3.7   | <b>1.5kW</b> |       |       |       |       |       | <b>1.5kW</b> |       |       |       |       |       | 0.58         | 22102 | 2427  | 0.77  | 0.64  | 19898 | 2185         | 0.85  | 0.72  | 17703 | 1944  | 0.96  | 0.84         | 15244 | 1674  | 1.11  | 1.1   | 11911 | 1308         | 1.42  | 1.2   | 10646 | 1169  | 1.59  | 1.5          | 8679  | 953   | 1.95  | 1.7   | 7695  | 845          | 2.2   | 3.1  | 4062  | 446  | 4.2   | 4.7          | 2741  | 301  | 6.2   | 0.86 | 14744 | 1619         | 0.77  | 1.0  | 12758 | 1401 | 0.88  | 1.1          | 11201 | 1230 | 1.01  | 1.3          | 9881  | 1085         | 1.14  | 1.5  | 8533  | 937          | 1.32  | 1.7          | 7531  | 827          | 1.50  | 1.9          | 6675  | 733          | 1.69  | 2.2          | 5828  | 640  | 1.94  | 1.5  | 8651  | 950  | 0.83  | 1.7  | 7595  | 834  | 0.95  | 1.9  | 6702  | 736  | 1.08  | 2.2  | 5710  | 627  | 1.26  |      |       |      |       |      |       |      |       |      |       |      |       |      |       |      |       |      |       |      |      |      |       |      |       |      |       |      |       |      |       |      |       |      |       |      |       |      |      |      |      |      |      |     |      |     |      |     |      |     |      |     |      |     |      |     |      |     |      |     |      |     |      |     |      |
| 4.0           | 2480       | 228.57   | 1.14                   |              |         | 4.6           | 2136       | 196.85       | 1.32                   |              |         | 5.1          | 1942  | 178.95       | 1.45 |              |       | 5.7          | 1732 | 159.61       | 1.63  |              |      | 5.2          | 1911  | 271.92       | 1.48 |              |       | 5.5          | 1798 | 254.93       | 1.57  | F 87         | 4    | 6.1          | 1612  | 228.57       | 1.75 |              |       | 7.1          | 1388 | 196.85       | 2.0   |              |      | 7.8          | 1262  | 178.95       | 2.2  |              |       | 8.8          | 1126 | 159.61       | 2.5   |              |      | 10           | 946   | 134.16       | 3.0  |              |       | 11           | 870  | 123.29       | 3.2   |              |      | 7.1          | 1399  | 198.31       | 1.01 |              |       | 7.4          | 1329 | 188.40       | 1.06  |              |      | F 77         | 4     | 8.4          | 1174 |              |       |              |      | 166.47       | 1.20  |              |      |              |       | 9.8          | 1003 | 142.27       | 1.41  |              |      | 11           | 920   | 130.42       | 1.53 |              |       | 12           | 807  |        |       | 114.45       | 1.75 | 13     | 765   |        |      | 108.46       | 1.84  | 15     | 670  |        |       | 94.93        | 2.1   | 16     | 603   |       |       | 85.52        | 2.3   | 19     | 529   | 75.02  | 2.7   | 12           | 853   | 120.79 | 0.9   | 13     | 769   | 109.04       | 1.0   | F 67   | 4     | 15     | 677   | 95.94        | 1.1   |        |       | 15     | 639   | 90.59        | 1.2   |        |       | 18     | 550   | 77.97        | 1.4   |        |       | 21     | 466   | 66.13        | 1.7   |        |       | 23     | 421   | 59.70        | 1.8   |        |       | 27     | 371   | 52.53        | 2.1   |        |       | 28     | 350   | 49.60        | 2.2   |        |       | 33           | 298   | 42.23        | 2.6   |        |       | 36           | 271   | 38.38  | 2.7   |        |       | 42           | 234   | 33.24  | 3.0   |       |       | 25           | 396   | 56.09  | 0.95  | 29     | 336   |              |       | 47.66  | 1.12  | 33    | 300   | 42.55        | 1.25  |       |       | 39     | 256   | 36.34        | 1.47  | 41     | 240   | 34.04 | 1.57  | 49           | 202   | 28.67        | 1.86  | 46     | 216   | 30.64  | 1.74  | 48           | 205   | 29.11        | 1.83  | 55     | 180   | 25.54 | 2.1   | 65           | 153   | 21.66        | 2.5   | 72    | 138   | 19.56 | 2.7   | 44           | 224   | 31.69 | 0.84  | 50    | 198   | 28.09        | 0.95  | 59    | 168   | 23.88 | 1.12  | 68           | 145   | 20.57 | 1.30  | 73    | 136   | 19.27        | 1.38  | 82    | 120   | 17.03 | 1.57  | 98           | 101   | 14.33 | 1.86  | 109   | 91    | 12.87        | 2.1   | 126   | 78    | 11.08 | 2.3   | 134          | 73    | 10.42 | 2.4   | 156   | 63    | 8.97         | 2.6   | 175   | 56    | 8.01  | 2.8   | 206          | 48    | 6.81  | 2.7   | 229   | 43    | 6.11         | 2.9   | 266   | 37    | 5.27  | 3.2   | 283          | 35    | 4.95  | 3.2   | 329   | 30    | 4.26         | 3.4   | 367   | 27    | 3.81  | 3.7   | <b>1.5kW</b> |       |       |       |       |       | <b>1.5kW</b> |       |       |       |       |       | 0.58         | 22102 | 2427  | 0.77  | 0.64  | 19898 | 2185         | 0.85  | 0.72  | 17703 | 1944  | 0.96  | 0.84         | 15244 | 1674  | 1.11  | 1.1   | 11911 | 1308         | 1.42  | 1.2   | 10646 | 1169  | 1.59  | 1.5          | 8679  | 953   | 1.95  | 1.7   | 7695  | 845          | 2.2   | 3.1   | 4062  | 446   | 4.2   | 4.7          | 2741  | 301  | 6.2   | 0.86 | 14744 | 1619         | 0.77  | 1.0  | 12758 | 1401 | 0.88  | 1.1          | 11201 | 1230 | 1.01  | 1.3  | 9881  | 1085         | 1.14  | 1.5  | 8533  | 937          | 1.32  | 1.7          | 7531  | 827  | 1.50  | 1.9          | 6675  | 733          | 1.69  | 2.2          | 5828  | 640          | 1.94  | 1.5          | 8651  | 950          | 0.83  | 1.7  | 7595  | 834  | 0.95  | 1.9  | 6702  | 736  | 1.08  | 2.2  | 5710  | 627  | 1.26  |      |       |      |       |      |       |      |       |      |       |      |       |      |       |      |       |      |       |      |       |      |       |      |       |      |      |      |       |      |       |      |       |      |       |      |       |      |       |      |       |      |       |      |      |      |      |      |      |     |      |     |      |     |      |     |      |     |      |     |      |     |      |     |      |     |      |     |      |     |      |
| 4.6           | 2136       | 196.85   | 1.32                   |              |         | 5.1           | 1942       | 178.95       | 1.45                   |              |         | 5.7          | 1732  | 159.61       | 1.63 |              |       | 5.2          | 1911 | 271.92       | 1.48  |              |      | 5.5          | 1798  | 254.93       | 1.57 | F 87         | 4     | 6.1          | 1612 | 228.57       | 1.75  |              |      | 7.1          | 1388  | 196.85       | 2.0  |              |       | 7.8          | 1262 | 178.95       | 2.2   |              |      | 8.8          | 1126  | 159.61       | 2.5  |              |       | 10           | 946  | 134.16       | 3.0   |              |      | 11           | 870   | 123.29       | 3.2  |              |       | 7.1          | 1399 | 198.31       | 1.01  |              |      | 7.4          | 1329  | 188.40       | 1.06 |              |       | F 77         | 4    | 8.4          | 1174  |              |      |              |       | 166.47       | 1.20 |              |       |              |      | 9.8          | 1003  | 142.27       | 1.41 |              |       | 11           | 920  | 130.42       | 1.53  |              |      | 12           | 807   | 114.45       | 1.75 |              |       | 13           | 765  |        |       | 108.46       | 1.84 | 15     | 670   |        |      | 94.93        | 2.1   | 16     | 603  |        |       | 85.52        | 2.3   | 19     | 529   | 75.02 | 2.7   | 12           | 853   | 120.79 | 0.9   | 13     | 769   | 109.04       | 1.0   | F 67   | 4     | 15     | 677   | 95.94        | 1.1   |        |       | 15     | 639   | 90.59        | 1.2   |        |       | 18     | 550   | 77.97        | 1.4   |        |       | 21     | 466   | 66.13        | 1.7   |        |       | 23     | 421   | 59.70        | 1.8   |        |       | 27     | 371   | 52.53        | 2.1   |        |       | 28     | 350   | 49.60        | 2.2   |        |       | 33     | 298   | 42.23        | 2.6   |        |       | 36           | 271   | 38.38        | 2.7   |        |       | 42           | 234   | 33.24  | 3.0   |        |       | 25           | 396   | 56.09  | 0.95  |       |       | 29           | 336   | 47.66  | 1.12  | 33     | 300   |              |       | 42.55  | 1.25  | 39    | 256   | 36.34        | 1.47  | 41    | 240   | 34.04  | 1.57  | 49           | 202   | 28.67  | 1.86  | 46    | 216   | 30.64        | 1.74  | 48           | 205   | 29.11  | 1.83  | 55     | 180   | 25.54        | 2.1   | 65           | 153   | 21.66  | 2.5   | 72    | 138   | 19.56        | 2.7   | 44           | 224   | 31.69 | 0.84  | 50    | 198   | 28.09        | 0.95  | 59    | 168   | 23.88 | 1.12  | 68           | 145   | 20.57 | 1.30  | 73    | 136   | 19.27        | 1.38  | 82    | 120   | 17.03 | 1.57  | 98           | 101   | 14.33 | 1.86  | 109   | 91    | 12.87        | 2.1   | 126   | 78    | 11.08 | 2.3   | 134          | 73    | 10.42 | 2.4   | 156   | 63    | 8.97         | 2.6   | 175   | 56    | 8.01  | 2.8   | 206          | 48    | 6.81  | 2.7   | 229   | 43    | 6.11         | 2.9   | 266   | 37    | 5.27  | 3.2   | 283          | 35    | 4.95  | 3.2   | 329   | 30    | 4.26         | 3.4   | 367   | 27    | 3.81  | 3.7   | <b>1.5kW</b> |       |       |       |       |       | <b>1.5kW</b> |       |       |       |       |       | 0.58         | 22102 | 2427  | 0.77  | 0.64  | 19898 | 2185         | 0.85  | 0.72  | 17703 | 1944  | 0.96  | 0.84         | 15244 | 1674  | 1.11  | 1.1   | 11911 | 1308         | 1.42  | 1.2   | 10646 | 1169  | 1.59  | 1.5          | 8679  | 953   | 1.95  | 1.7   | 7695  | 845          | 2.2   | 3.1   | 4062  | 446   | 4.2   | 4.7          | 2741  | 301   | 6.2   | 0.86  | 14744 | 1619         | 0.77  | 1.0  | 12758 | 1401 | 0.88  | 1.1          | 11201 | 1230 | 1.01  | 1.3  | 9881  | 1085         | 1.14  | 1.5  | 8533  | 937  | 1.32  | 1.7          | 7531  | 827  | 1.50  | 1.9          | 6675  | 733          | 1.69  | 2.2  | 5828  | 640          | 1.94  | 1.5          | 8651  | 950          | 0.83  | 1.7          | 7595  | 834          | 0.95  | 1.9          | 6702  | 736  | 1.08  | 2.2  | 5710  | 627  | 1.26  |      |       |      |       |      |       |      |       |      |       |      |       |      |       |      |       |      |       |      |       |      |       |      |       |      |       |      |       |      |       |      |      |      |       |      |       |      |       |      |       |      |       |      |       |      |       |      |       |      |      |      |      |      |      |     |      |     |      |     |      |     |      |     |      |     |      |     |      |     |      |     |      |     |      |     |      |
| 5.1           | 1942       | 178.95   | 1.45                   |              |         | 5.7           | 1732       | 159.61       | 1.63                   |              |         | 5.2          | 1911  | 271.92       | 1.48 |              |       | 5.5          | 1798 | 254.93       | 1.57  | F 87         | 4    | 6.1          | 1612  | 228.57       | 1.75 |              |       | 7.1          | 1388 | 196.85       | 2.0   |              |      | 7.8          | 1262  | 178.95       | 2.2  |              |       | 8.8          | 1126 | 159.61       | 2.5   |              |      | 10           | 946   | 134.16       | 3.0  |              |       | 11           | 870  | 123.29       | 3.2   |              |      | 7.1          | 1399  | 198.31       | 1.01 |              |       | 7.4          | 1329 | 188.40       | 1.06  |              |      | F 77         | 4     | 8.4          | 1174 |              |       |              |      | 166.47       | 1.20  |              |      |              |       | 9.8          | 1003 | 142.27       | 1.41  |              |      | 11           | 920   | 130.42       | 1.53 |              |       | 12           | 807  | 114.45       | 1.75  |              |      | 13           | 765   | 108.46       | 1.84 |              |       | 15           | 670  |        |       | 94.93        | 2.1  | 16     | 603   |        |      | 85.52        | 2.3   | 19     | 529  | 75.02  | 2.7   | 12           | 853   | 120.79 | 0.9   | 13    | 769   | 109.04       | 1.0   | F 67   | 4     | 15     | 677   | 95.94        | 1.1   |        |       | 15     | 639   | 90.59        | 1.2   |        |       | 18     | 550   | 77.97        | 1.4   |        |       | 21     | 466   | 66.13        | 1.7   |        |       | 23     | 421   | 59.70        | 1.8   |        |       | 27     | 371   | 52.53        | 2.1   |        |       | 28     | 350   | 49.60        | 2.2   |        |       | 33     | 298   | 42.23        | 2.6   |        |       | 36     | 271   | 38.38        | 2.7   |        |       | 42           | 234   | 33.24        | 3.0   |        |       | 25           | 396   | 56.09  | 0.95  |        |       | 29           | 336   | 47.66  | 1.12  |       |       | 33           | 300   | 42.55  | 1.25  | 39     | 256   | 36.34        | 1.47  | 41     | 240   | 34.04 | 1.57  | 49           | 202   | 28.67 | 1.86  | 46     | 216   | 30.64        | 1.74  | 48     | 205   | 29.11 | 1.83  | 55           | 180   | 25.54        | 2.1   | 65     | 153   | 21.66  | 2.5   | 72           | 138   | 19.56        | 2.7   | 44     | 224   | 31.69 | 0.84  | 50           | 198   | 28.09        | 0.95  | 59    | 168   | 23.88 | 1.12  | 68           | 145   | 20.57 | 1.30  | 73    | 136   | 19.27        | 1.38  | 82    | 120   | 17.03 | 1.57  | 98           | 101   | 14.33 | 1.86  | 109   | 91    | 12.87        | 2.1   | 126   | 78    | 11.08 | 2.3   | 134          | 73    | 10.42 | 2.4   | 156   | 63    | 8.97         | 2.6   | 175   | 56    | 8.01  | 2.8   | 206          | 48    | 6.81  | 2.7   | 229   | 43    | 6.11         | 2.9   | 266   | 37    | 5.27  | 3.2   | 283          | 35    | 4.95  | 3.2   | 329   | 30    | 4.26         | 3.4   | 367   | 27    | 3.81  | 3.7   | <b>1.5kW</b> |       |       |       |       |       | <b>1.5kW</b> |       |       |       |       |       | 0.58         | 22102 | 2427  | 0.77  | 0.64  | 19898 | 2185         | 0.85  | 0.72  | 17703 | 1944  | 0.96  | 0.84         | 15244 | 1674  | 1.11  | 1.1   | 11911 | 1308         | 1.42  | 1.2   | 10646 | 1169  | 1.59  | 1.5          | 8679  | 953   | 1.95  | 1.7   | 7695  | 845          | 2.2   | 3.1   | 4062  | 446   | 4.2   | 4.7          | 2741  | 301   | 6.2   | 0.86  | 14744 | 1619         | 0.77  | 1.0   | 12758 | 1401  | 0.88  | 1.1          | 11201 | 1230 | 1.01  | 1.3  | 9881  | 1085         | 1.14  | 1.5  | 8533  | 937  | 1.32  | 1.7          | 7531  | 827  | 1.50  | 1.9  | 6675  | 733          | 1.69  | 2.2  | 5828  | 640          | 1.94  | 1.5          | 8651  | 950  | 0.83  | 1.7          | 7595  | 834          | 0.95  | 1.9          | 6702  | 736          | 1.08  | 2.2          | 5710  | 627          | 1.26  |      |       |      |       |      |       |      |       |      |       |      |       |      |       |      |       |      |       |      |       |      |       |      |       |      |       |      |       |      |       |      |       |      |       |      |       |      |      |      |       |      |       |      |       |      |       |      |       |      |       |      |       |      |       |      |      |      |      |      |      |     |      |     |      |     |      |     |      |     |      |     |      |     |      |     |      |     |      |     |      |     |      |
| 5.7           | 1732       | 159.61   | 1.63                   |              |         | 5.2           | 1911       | 271.92       | 1.48                   |              |         | 5.5          | 1798  | 254.93       | 1.57 | F 87         | 4     | 6.1          | 1612 | 228.57       | 1.75  |              |      | 7.1          | 1388  | 196.85       | 2.0  |              |       | 7.8          | 1262 | 178.95       | 2.2   |              |      | 8.8          | 1126  | 159.61       | 2.5  |              |       | 10           | 946  | 134.16       | 3.0   |              |      | 11           | 870   | 123.29       | 3.2  |              |       | 7.1          | 1399 | 198.31       | 1.01  |              |      | 7.4          | 1329  | 188.40       | 1.06 |              |       | F 77         | 4    | 8.4          | 1174  |              |      |              |       | 166.47       | 1.20 |              |       |              |      | 9.8          | 1003  | 142.27       | 1.41 |              |       | 11           | 920  | 130.42       | 1.53  |              |      | 12           | 807   | 114.45       | 1.75 |              |       | 13           | 765  | 108.46       | 1.84  |              |      | 15           | 670   | 94.93        | 2.1  |              |       | 16           | 603  |        |       | 85.52        | 2.3  | 19     | 529   | 75.02  | 2.7  | 12           | 853   | 120.79 | 0.9  | 13     | 769   | 109.04       | 1.0   | F 67   | 4     | 15    | 677   | 95.94        | 1.1   |        |       | 15     | 639   | 90.59        | 1.2   |        |       | 18     | 550   | 77.97        | 1.4   |        |       | 21     | 466   | 66.13        | 1.7   |        |       | 23     | 421   | 59.70        | 1.8   |        |       | 27     | 371   | 52.53        | 2.1   |        |       | 28     | 350   | 49.60        | 2.2   |        |       | 33     | 298   | 42.23        | 2.6   |        |       | 36     | 271   | 38.38        | 2.7   |        |       | 42     | 234   | 33.24        | 3.0   |        |       | 25           | 396   | 56.09        | 0.95  |        |       | 29           | 336   | 47.66  | 1.12  |        |       | 33           | 300   | 42.55  | 1.25  | 39    | 256   | 36.34        | 1.47  | 41     | 240   | 34.04  | 1.57  | 49           | 202   | 28.67  | 1.86  | 46    | 216   | 30.64        | 1.74  | 48    | 205   | 29.11  | 1.83  | 55           | 180   | 25.54  | 2.1   | 65    | 153   | 21.66        | 2.5   | 72           | 138   | 19.56  | 2.7   | 44     | 224   | 31.69        | 0.84  | 50           | 198   | 28.09  | 0.95  | 59    | 168   | 23.88        | 1.12  | 68           | 145   | 20.57 | 1.30  | 73    | 136   | 19.27        | 1.38  | 82    | 120   | 17.03 | 1.57  | 98           | 101   | 14.33 | 1.86  | 109   | 91    | 12.87        | 2.1   | 126   | 78    | 11.08 | 2.3   | 134          | 73    | 10.42 | 2.4   | 156   | 63    | 8.97         | 2.6   | 175   | 56    | 8.01  | 2.8   | 206          | 48    | 6.81  | 2.7   | 229   | 43    | 6.11         | 2.9   | 266   | 37    | 5.27  | 3.2   | 283          | 35    | 4.95  | 3.2   | 329   | 30    | 4.26         | 3.4   | 367   | 27    | 3.81  | 3.7   | <b>1.5kW</b> |       |       |       |       |       | <b>1.5kW</b> |       |       |       |       |       | 0.58         | 22102 | 2427  | 0.77  | 0.64  | 19898 | 2185         | 0.85  | 0.72  | 17703 | 1944  | 0.96  | 0.84         | 15244 | 1674  | 1.11  | 1.1   | 11911 | 1308         | 1.42  | 1.2   | 10646 | 1169  | 1.59  | 1.5          | 8679  | 953   | 1.95  | 1.7   | 7695  | 845          | 2.2   | 3.1   | 4062  | 446   | 4.2   | 4.7          | 2741  | 301   | 6.2   | 0.86  | 14744 | 1619         | 0.77  | 1.0   | 12758 | 1401  | 0.88  | 1.1          | 11201 | 1230  | 1.01  | 1.3   | 9881  | 1085         | 1.14  | 1.5  | 8533  | 937  | 1.32  | 1.7          | 7531  | 827  | 1.50  | 1.9  | 6675  | 733          | 1.69  | 2.2  | 5828  | 640  | 1.94  | 1.5          | 8651  | 950  | 0.83  | 1.7          | 7595  | 834          | 0.95  | 1.9  | 6702  | 736          | 1.08  | 2.2          | 5710  | 627          | 1.26  |              |       |              |       |              |       |      |       |      |       |      |       |      |       |      |       |      |       |      |       |      |       |      |       |      |       |      |       |      |       |      |       |      |       |      |       |      |       |      |       |      |       |      |      |      |       |      |       |      |       |      |       |      |       |      |       |      |       |      |       |      |      |      |      |      |      |     |      |     |      |     |      |     |      |     |      |     |      |     |      |     |      |     |      |     |      |     |      |
| 5.2           | 1911       | 271.92   | 1.48                   |              |         | 5.5           | 1798       | 254.93       | 1.57                   | F 87         | 4       | 6.1          | 1612  | 228.57       | 1.75 |              |       | 7.1          | 1388 | 196.85       | 2.0   |              |      | 7.8          | 1262  | 178.95       | 2.2  |              |       | 8.8          | 1126 | 159.61       | 2.5   |              |      | 10           | 946   | 134.16       | 3.0  |              |       | 11           | 870  | 123.29       | 3.2   |              |      | 7.1          | 1399  | 198.31       | 1.01 |              |       | 7.4          | 1329 | 188.40       | 1.06  |              |      | F 77         | 4     | 8.4          | 1174 |              |       |              |      | 166.47       | 1.20  |              |      |              |       | 9.8          | 1003 | 142.27       | 1.41  |              |      | 11           | 920   | 130.42       | 1.53 |              |       | 12           | 807  | 114.45       | 1.75  |              |      | 13           | 765   | 108.46       | 1.84 |              |       | 15           | 670  | 94.93        | 2.1   |              |      | 16           | 603   | 85.52        | 2.3  |              |       | 19           | 529  | 75.02  | 2.7   | 12           | 853  | 120.79 | 0.9   | 13     | 769  | 109.04       | 1.0   | F 67   | 4    | 15     | 677   | 95.94        | 1.1   |        |       | 15    | 639   | 90.59        | 1.2   |        |       | 18     | 550   | 77.97        | 1.4   |        |       | 21     | 466   | 66.13        | 1.7   |        |       | 23     | 421   | 59.70        | 1.8   |        |       | 27     | 371   | 52.53        | 2.1   |        |       | 28     | 350   | 49.60        | 2.2   |        |       | 33     | 298   | 42.23        | 2.6   |        |       | 36     | 271   | 38.38        | 2.7   |        |       | 42     | 234   | 33.24        | 3.0   |        |       | 25     | 396   | 56.09        | 0.95  |        |       | 29           | 336   | 47.66        | 1.12  |        |       | 33           | 300   | 42.55  | 1.25  | 39     | 256   | 36.34        | 1.47  | 41     | 240   | 34.04 | 1.57  | 49           | 202   | 28.67  | 1.86  | 46     | 216   | 30.64        | 1.74  | 48     | 205   | 29.11 | 1.83  | 55           | 180   | 25.54 | 2.1   | 65     | 153   | 21.66        | 2.5   | 72     | 138   | 19.56 | 2.7   | 44           | 224   | 31.69        | 0.84  | 50     | 198   | 28.09  | 0.95  | 59           | 168   | 23.88        | 1.12  | 68     | 145   | 20.57 | 1.30  | 73           | 136   | 19.27        | 1.38  | 82    | 120   | 17.03 | 1.57  | 98           | 101   | 14.33 | 1.86  | 109   | 91    | 12.87        | 2.1   | 126   | 78    | 11.08 | 2.3   | 134          | 73    | 10.42 | 2.4   | 156   | 63    | 8.97         | 2.6   | 175   | 56    | 8.01  | 2.8   | 206          | 48    | 6.81  | 2.7   | 229   | 43    | 6.11         | 2.9   | 266   | 37    | 5.27  | 3.2   | 283          | 35    | 4.95  | 3.2   | 329   | 30    | 4.26         | 3.4   | 367   | 27    | 3.81  | 3.7   | <b>1.5kW</b> |       |       |       |       |       | <b>1.5kW</b> |       |       |       |       |       | 0.58         | 22102 | 2427  | 0.77  | 0.64  | 19898 | 2185         | 0.85  | 0.72  | 17703 | 1944  | 0.96  | 0.84         | 15244 | 1674  | 1.11  | 1.1   | 11911 | 1308         | 1.42  | 1.2   | 10646 | 1169  | 1.59  | 1.5          | 8679  | 953   | 1.95  | 1.7   | 7695  | 845          | 2.2   | 3.1   | 4062  | 446   | 4.2   | 4.7          | 2741  | 301   | 6.2   | 0.86  | 14744 | 1619         | 0.77  | 1.0   | 12758 | 1401  | 0.88  | 1.1          | 11201 | 1230  | 1.01  | 1.3   | 9881  | 1085         | 1.14  | 1.5   | 8533  | 937   | 1.32  | 1.7          | 7531  | 827  | 1.50  | 1.9  | 6675  | 733          | 1.69  | 2.2  | 5828  | 640  | 1.94  | 1.5          | 8651  | 950  | 0.83  | 1.7  | 7595  | 834          | 0.95  | 1.9  | 6702  | 736          | 1.08  | 2.2          | 5710  | 627  | 1.26  |              |       |              |       |              |       |              |       |              |       |              |       |      |       |      |       |      |       |      |       |      |       |      |       |      |       |      |       |      |       |      |       |      |       |      |       |      |       |      |       |      |       |      |       |      |       |      |       |      |      |      |       |      |       |      |       |      |       |      |       |      |       |      |       |      |       |      |      |      |      |      |      |     |      |     |      |     |      |     |      |     |      |     |      |     |      |     |      |     |      |     |      |     |      |
| 5.5           | 1798       | 254.93   | 1.57                   | F 87         | 4       | 6.1           | 1612       | 228.57       | 1.75                   |              |         | 7.1          | 1388  | 196.85       | 2.0  |              |       | 7.8          | 1262 | 178.95       | 2.2   |              |      | 8.8          | 1126  | 159.61       | 2.5  |              |       | 10           | 946  | 134.16       | 3.0   |              |      | 11           | 870   | 123.29       | 3.2  |              |       | 7.1          | 1399 | 198.31       | 1.01  |              |      | 7.4          | 1329  | 188.40       | 1.06 |              |       | F 77         | 4    | 8.4          | 1174  |              |      |              |       | 166.47       | 1.20 |              |       |              |      | 9.8          | 1003  | 142.27       | 1.41 |              |       | 11           | 920  | 130.42       | 1.53  |              |      | 12           | 807   | 114.45       | 1.75 |              |       | 13           | 765  | 108.46       | 1.84  |              |      | 15           | 670   | 94.93        | 2.1  |              |       | 16           | 603  | 85.52        | 2.3   |              |      | 19           | 529   | 75.02        | 2.7  | 12           | 853   | 120.79       | 0.9  | 13     | 769   | 109.04       | 1.0  | F 67   | 4     | 15     | 677  | 95.94        | 1.1   |        |      | 15     | 639   | 90.59        | 1.2   |        |       | 18    | 550   | 77.97        | 1.4   |        |       | 21     | 466   | 66.13        | 1.7   |        |       | 23     | 421   | 59.70        | 1.8   |        |       | 27     | 371   | 52.53        | 2.1   |        |       | 28     | 350   | 49.60        | 2.2   |        |       | 33     | 298   | 42.23        | 2.6   |        |       | 36     | 271   | 38.38        | 2.7   |        |       | 42     | 234   | 33.24        | 3.0   |        |       | 25     | 396   | 56.09        | 0.95  |        |       | 29     | 336   | 47.66        | 1.12  |        |       | 33           | 300   | 42.55        | 1.25  | 39     | 256   | 36.34        | 1.47  | 41     | 240   | 34.04  | 1.57  | 49           | 202   | 28.67  | 1.86  | 46    | 216   | 30.64        | 1.74  | 48     | 205   | 29.11  | 1.83  | 55           | 180   | 25.54  | 2.1   | 65    | 153   | 21.66        | 2.5   | 72    | 138   | 19.56  | 2.7   | 44           | 224   | 31.69  | 0.84  | 50    | 198   | 28.09        | 0.95  | 59           | 168   | 23.88  | 1.12  | 68     | 145   | 20.57        | 1.30  | 73           | 136   | 19.27  | 1.38  | 82    | 120   | 17.03        | 1.57  | 98           | 101   | 14.33 | 1.86  | 109   | 91    | 12.87        | 2.1   | 126   | 78    | 11.08 | 2.3   | 134          | 73    | 10.42 | 2.4   | 156   | 63    | 8.97         | 2.6   | 175   | 56    | 8.01  | 2.8   | 206          | 48    | 6.81  | 2.7   | 229   | 43    | 6.11         | 2.9   | 266   | 37    | 5.27  | 3.2   | 283          | 35    | 4.95  | 3.2   | 329   | 30    | 4.26         | 3.4   | 367   | 27    | 3.81  | 3.7   | <b>1.5kW</b> |       |       |       |       |       | <b>1.5kW</b> |       |       |       |       |       | 0.58         | 22102 | 2427  | 0.77  | 0.64  | 19898 | 2185         | 0.85  | 0.72  | 17703 | 1944  | 0.96  | 0.84         | 15244 | 1674  | 1.11  | 1.1   | 11911 | 1308         | 1.42  | 1.2   | 10646 | 1169  | 1.59  | 1.5          | 8679  | 953   | 1.95  | 1.7   | 7695  | 845          | 2.2   | 3.1   | 4062  | 446   | 4.2   | 4.7          | 2741  | 301   | 6.2   | 0.86  | 14744 | 1619         | 0.77  | 1.0   | 12758 | 1401  | 0.88  | 1.1          | 11201 | 1230  | 1.01  | 1.3   | 9881  | 1085         | 1.14  | 1.5   | 8533  | 937   | 1.32  | 1.7          | 7531  | 827   | 1.50  | 1.9   | 6675  | 733          | 1.69  | 2.2  | 5828  | 640  | 1.94  | 1.5          | 8651  | 950  | 0.83  | 1.7  | 7595  | 834          | 0.95  | 1.9  | 6702  | 736  | 1.08  | 2.2          | 5710  | 627  | 1.26  |              |       |              |       |      |       |              |       |              |       |              |       |              |       |              |       |              |       |      |       |      |       |      |       |      |       |      |       |      |       |      |       |      |       |      |       |      |       |      |       |      |       |      |       |      |       |      |       |      |       |      |       |      |       |      |      |      |       |      |       |      |       |      |       |      |       |      |       |      |       |      |       |      |      |      |      |      |      |     |      |     |      |     |      |     |      |     |      |     |      |     |      |     |      |     |      |     |      |     |      |
| 6.1           | 1612       | 228.57   | 1.75                   |              |         | 7.1           | 1388       | 196.85       | 2.0                    |              |         | 7.8          | 1262  | 178.95       | 2.2  |              |       | 8.8          | 1126 | 159.61       | 2.5   |              |      | 10           | 946   | 134.16       | 3.0  |              |       | 11           | 870  | 123.29       | 3.2   |              |      | 7.1          | 1399  | 198.31       | 1.01 |              |       | 7.4          | 1329 | 188.40       | 1.06  |              |      | F 77         | 4     | 8.4          | 1174 |              |       |              |      | 166.47       | 1.20  |              |      |              |       | 9.8          | 1003 | 142.27       | 1.41  |              |      | 11           | 920   | 130.42       | 1.53 |              |       | 12           | 807  | 114.45       | 1.75  |              |      | 13           | 765   | 108.46       | 1.84 |              |       | 15           | 670  | 94.93        | 2.1   |              |      | 16           | 603   | 85.52        | 2.3  |              |       | 19           | 529  | 75.02        | 2.7   | 12           | 853  | 120.79       | 0.9   | 13           | 769  | 109.04       | 1.0   | F 67         | 4    | 15     | 677   | 95.94        | 1.1  |        |       | 15     | 639  | 90.59        | 1.2   |        |      | 18     | 550   | 77.97        | 1.4   |        |       | 21    | 466   | 66.13        | 1.7   |        |       | 23     | 421   | 59.70        | 1.8   |        |       | 27     | 371   | 52.53        | 2.1   |        |       | 28     | 350   | 49.60        | 2.2   |        |       | 33     | 298   | 42.23        | 2.6   |        |       | 36     | 271   | 38.38        | 2.7   |        |       | 42     | 234   | 33.24        | 3.0   |        |       | 25     | 396   | 56.09        | 0.95  |        |       | 29     | 336   | 47.66        | 1.12  |        |       | 33     | 300   | 42.55        | 1.25  | 39     | 256   | 36.34        | 1.47  | 41           | 240   | 34.04  | 1.57  | 49           | 202   | 28.67  | 1.86  | 46     | 216   | 30.64        | 1.74  | 48     | 205   | 29.11 | 1.83  | 55           | 180   | 25.54  | 2.1   | 65     | 153   | 21.66        | 2.5   | 72     | 138   | 19.56 | 2.7   | 44           | 224   | 31.69 | 0.84  | 50     | 198   | 28.09        | 0.95  | 59     | 168   | 23.88 | 1.12  | 68           | 145   | 20.57        | 1.30  | 73     | 136   | 19.27  | 1.38  | 82           | 120   | 17.03        | 1.57  | 98     | 101   | 14.33 | 1.86  | 109          | 91    | 12.87        | 2.1   | 126   | 78    | 11.08 | 2.3   | 134          | 73    | 10.42 | 2.4   | 156   | 63    | 8.97         | 2.6   | 175   | 56    | 8.01  | 2.8   | 206          | 48    | 6.81  | 2.7   | 229   | 43    | 6.11         | 2.9   | 266   | 37    | 5.27  | 3.2   | 283          | 35    | 4.95  | 3.2   | 329   | 30    | 4.26         | 3.4   | 367   | 27    | 3.81  | 3.7   | <b>1.5kW</b> |       |       |       |       |       | <b>1.5kW</b> |       |       |       |       |       | 0.58         | 22102 | 2427  | 0.77  | 0.64  | 19898 | 2185         | 0.85  | 0.72  | 17703 | 1944  | 0.96  | 0.84         | 15244 | 1674  | 1.11  | 1.1   | 11911 | 1308         | 1.42  | 1.2   | 10646 | 1169  | 1.59  | 1.5          | 8679  | 953   | 1.95  | 1.7   | 7695  | 845          | 2.2   | 3.1   | 4062  | 446   | 4.2   | 4.7          | 2741  | 301   | 6.2   | 0.86  | 14744 | 1619         | 0.77  | 1.0   | 12758 | 1401  | 0.88  | 1.1          | 11201 | 1230  | 1.01  | 1.3   | 9881  | 1085         | 1.14  | 1.5   | 8533  | 937   | 1.32  | 1.7          | 7531  | 827   | 1.50  | 1.9   | 6675  | 733          | 1.69  | 2.2   | 5828  | 640   | 1.94  | 1.5          | 8651  | 950  | 0.83  | 1.7  | 7595  | 834          | 0.95  | 1.9  | 6702  | 736  | 1.08  | 2.2          | 5710  | 627  | 1.26  |      |       |              |       |      |       |              |       |              |       |      |       |              |       |              |       |              |       |              |       |              |       |              |       |      |       |      |       |      |       |      |       |      |       |      |       |      |       |      |       |      |       |      |       |      |       |      |       |      |       |      |       |      |       |      |       |      |       |      |       |      |      |      |       |      |       |      |       |      |       |      |       |      |       |      |       |      |       |      |      |      |      |      |      |     |      |     |      |     |      |     |      |     |      |     |      |     |      |     |      |     |      |     |      |     |      |
| 7.1           | 1388       | 196.85   | 2.0                    |              |         | 7.8           | 1262       | 178.95       | 2.2                    |              |         | 8.8          | 1126  | 159.61       | 2.5  |              |       | 10           | 946  | 134.16       | 3.0   |              |      | 11           | 870   | 123.29       | 3.2  |              |       | 7.1          | 1399 | 198.31       | 1.01  |              |      | 7.4          | 1329  | 188.40       | 1.06 |              |       | F 77         | 4    | 8.4          | 1174  |              |      |              |       | 166.47       | 1.20 |              |       |              |      | 9.8          | 1003  | 142.27       | 1.41 |              |       | 11           | 920  | 130.42       | 1.53  |              |      | 12           | 807   | 114.45       | 1.75 |              |       | 13           | 765  | 108.46       | 1.84  |              |      | 15           | 670   | 94.93        | 2.1  |              |       | 16           | 603  | 85.52        | 2.3   |              |      | 19           | 529   | 75.02        | 2.7  | 12           | 853   | 120.79       | 0.9  | 13           | 769   | 109.04       | 1.0  | F 67         | 4     | 15           | 677  | 95.94        | 1.1   |              |      | 15     | 639   | 90.59        | 1.2  |        |       | 18     | 550  | 77.97        | 1.4   |        |      | 21     | 466   | 66.13        | 1.7   |        |       | 23    | 421   | 59.70        | 1.8   |        |       | 27     | 371   | 52.53        | 2.1   |        |       | 28     | 350   | 49.60        | 2.2   |        |       | 33     | 298   | 42.23        | 2.6   |        |       | 36     | 271   | 38.38        | 2.7   |        |       | 42     | 234   | 33.24        | 3.0   |        |       | 25     | 396   | 56.09        | 0.95  |        |       | 29     | 336   | 47.66        | 1.12  |        |       | 33     | 300   | 42.55        | 1.25  | 39     | 256   | 36.34  | 1.47  | 41           | 240   | 34.04  | 1.57  | 49           | 202   | 28.67        | 1.86  | 46     | 216   | 30.64        | 1.74  | 48     | 205   | 29.11  | 1.83  | 55           | 180   | 25.54  | 2.1   | 65    | 153   | 21.66        | 2.5   | 72     | 138   | 19.56  | 2.7   | 44           | 224   | 31.69  | 0.84  | 50    | 198   | 28.09        | 0.95  | 59    | 168   | 23.88  | 1.12  | 68           | 145   | 20.57  | 1.30  | 73    | 136   | 19.27        | 1.38  | 82           | 120   | 17.03  | 1.57  | 98     | 101   | 14.33        | 1.86  | 109          | 91    | 12.87  | 2.1   | 126   | 78    | 11.08        | 2.3   | 134          | 73    | 10.42 | 2.4   | 156   | 63    | 8.97         | 2.6   | 175   | 56    | 8.01  | 2.8   | 206          | 48    | 6.81  | 2.7   | 229   | 43    | 6.11         | 2.9   | 266   | 37    | 5.27  | 3.2   | 283          | 35    | 4.95  | 3.2   | 329   | 30    | 4.26         | 3.4   | 367   | 27    | 3.81  | 3.7   | <b>1.5kW</b> |       |       |       |       |       | <b>1.5kW</b> |       |       |       |       |       | 0.58         | 22102 | 2427  | 0.77  | 0.64  | 19898 | 2185         | 0.85  | 0.72  | 17703 | 1944  | 0.96  | 0.84         | 15244 | 1674  | 1.11  | 1.1   | 11911 | 1308         | 1.42  | 1.2   | 10646 | 1169  | 1.59  | 1.5          | 8679  | 953   | 1.95  | 1.7   | 7695  | 845          | 2.2   | 3.1   | 4062  | 446   | 4.2   | 4.7          | 2741  | 301   | 6.2   | 0.86  | 14744 | 1619         | 0.77  | 1.0   | 12758 | 1401  | 0.88  | 1.1          | 11201 | 1230  | 1.01  | 1.3   | 9881  | 1085         | 1.14  | 1.5   | 8533  | 937   | 1.32  | 1.7          | 7531  | 827   | 1.50  | 1.9   | 6675  | 733          | 1.69  | 2.2   | 5828  | 640   | 1.94  | 1.5          | 8651  | 950   | 0.83  | 1.7   | 7595  | 834          | 0.95  | 1.9  | 6702  | 736  | 1.08  | 2.2          | 5710  | 627  | 1.26  |      |       |              |       |      |       |      |       |              |       |      |       |              |       |              |       |      |       |              |       |              |       |              |       |              |       |              |       |              |       |      |       |      |       |      |       |      |       |      |       |      |       |      |       |      |       |      |       |      |       |      |       |      |       |      |       |      |       |      |       |      |       |      |       |      |       |      |      |      |       |      |       |      |       |      |       |      |       |      |       |      |       |      |       |      |      |      |      |      |      |     |      |     |      |     |      |     |      |     |      |     |      |     |      |     |      |     |      |     |      |     |      |
| 7.8           | 1262       | 178.95   | 2.2                    |              |         | 8.8           | 1126       | 159.61       | 2.5                    |              |         | 10           | 946   | 134.16       | 3.0  |              |       | 11           | 870  | 123.29       | 3.2   |              |      | 7.1          | 1399  | 198.31       | 1.01 |              |       | 7.4          | 1329 | 188.40       | 1.06  |              |      | F 77         | 4     | 8.4          | 1174 |              |       |              |      | 166.47       | 1.20  |              |      |              |       | 9.8          | 1003 | 142.27       | 1.41  |              |      | 11           | 920   | 130.42       | 1.53 |              |       | 12           | 807  | 114.45       | 1.75  |              |      | 13           | 765   | 108.46       | 1.84 |              |       | 15           | 670  | 94.93        | 2.1   |              |      | 16           | 603   | 85.52        | 2.3  |              |       | 19           | 529  | 75.02        | 2.7   | 12           | 853  | 120.79       | 0.9   | 13           | 769  | 109.04       | 1.0   | F 67         | 4    | 15           | 677   | 95.94        | 1.1  |              |       | 15           | 639  | 90.59        | 1.2   |              |      | 18     | 550   | 77.97        | 1.4  |        |       | 21     | 466  | 66.13        | 1.7   |        |      | 23     | 421   | 59.70        | 1.8   |        |       | 27    | 371   | 52.53        | 2.1   |        |       | 28     | 350   | 49.60        | 2.2   |        |       | 33     | 298   | 42.23        | 2.6   |        |       | 36     | 271   | 38.38        | 2.7   |        |       | 42     | 234   | 33.24        | 3.0   |        |       | 25     | 396   | 56.09        | 0.95  |        |       | 29     | 336   | 47.66        | 1.12  |        |       | 33     | 300   | 42.55        | 1.25  | 39     | 256   | 36.34  | 1.47  | 41           | 240   | 34.04  | 1.57  | 49     | 202   | 28.67        | 1.86  | 46     | 216   | 30.64        | 1.74  | 48           | 205   | 29.11  | 1.83  | 55           | 180   | 25.54  | 2.1   | 65     | 153   | 21.66        | 2.5   | 72     | 138   | 19.56 | 2.7   | 44           | 224   | 31.69  | 0.84  | 50     | 198   | 28.09        | 0.95  | 59     | 168   | 23.88 | 1.12  | 68           | 145   | 20.57 | 1.30  | 73     | 136   | 19.27        | 1.38  | 82     | 120   | 17.03 | 1.57  | 98           | 101   | 14.33        | 1.86  | 109    | 91    | 12.87  | 2.1   | 126          | 78    | 11.08        | 2.3   | 134    | 73    | 10.42 | 2.4   | 156          | 63    | 8.97         | 2.6   | 175   | 56    | 8.01  | 2.8   | 206          | 48    | 6.81  | 2.7   | 229   | 43    | 6.11         | 2.9   | 266   | 37    | 5.27  | 3.2   | 283          | 35    | 4.95  | 3.2   | 329   | 30    | 4.26         | 3.4   | 367   | 27    | 3.81  | 3.7   | <b>1.5kW</b> |       |       |       |       |       | <b>1.5kW</b> |       |       |       |       |       | 0.58         | 22102 | 2427  | 0.77  | 0.64  | 19898 | 2185         | 0.85  | 0.72  | 17703 | 1944  | 0.96  | 0.84         | 15244 | 1674  | 1.11  | 1.1   | 11911 | 1308         | 1.42  | 1.2   | 10646 | 1169  | 1.59  | 1.5          | 8679  | 953   | 1.95  | 1.7   | 7695  | 845          | 2.2   | 3.1   | 4062  | 446   | 4.2   | 4.7          | 2741  | 301   | 6.2   | 0.86  | 14744 | 1619         | 0.77  | 1.0   | 12758 | 1401  | 0.88  | 1.1          | 11201 | 1230  | 1.01  | 1.3   | 9881  | 1085         | 1.14  | 1.5   | 8533  | 937   | 1.32  | 1.7          | 7531  | 827   | 1.50  | 1.9   | 6675  | 733          | 1.69  | 2.2   | 5828  | 640   | 1.94  | 1.5          | 8651  | 950   | 0.83  | 1.7   | 7595  | 834          | 0.95  | 1.9   | 6702  | 736   | 1.08  | 2.2          | 5710  | 627  | 1.26  |      |       |              |       |      |       |      |       |              |       |      |       |      |       |              |       |      |       |              |       |              |       |      |       |              |       |              |       |              |       |              |       |              |       |              |       |      |       |      |       |      |       |      |       |      |       |      |       |      |       |      |       |      |       |      |       |      |       |      |       |      |       |      |       |      |       |      |       |      |       |      |       |      |      |      |       |      |       |      |       |      |       |      |       |      |       |      |       |      |       |      |      |      |      |      |      |     |      |     |      |     |      |     |      |     |      |     |      |     |      |     |      |     |      |     |      |     |      |
| 8.8           | 1126       | 159.61   | 2.5                    |              |         | 10            | 946        | 134.16       | 3.0                    |              |         | 11           | 870   | 123.29       | 3.2  |              |       | 7.1          | 1399 | 198.31       | 1.01  |              |      | 7.4          | 1329  | 188.40       | 1.06 |              |       | F 77         | 4    | 8.4          | 1174  |              |      |              |       | 166.47       | 1.20 |              |       |              |      | 9.8          | 1003  | 142.27       | 1.41 |              |       | 11           | 920  | 130.42       | 1.53  |              |      | 12           | 807   | 114.45       | 1.75 |              |       | 13           | 765  | 108.46       | 1.84  |              |      | 15           | 670   | 94.93        | 2.1  |              |       | 16           | 603  | 85.52        | 2.3   |              |      | 19           | 529   | 75.02        | 2.7  | 12           | 853   | 120.79       | 0.9  | 13           | 769   | 109.04       | 1.0  | F 67         | 4     | 15           | 677  | 95.94        | 1.1   |              |      | 15           | 639   | 90.59        | 1.2  |              |       | 18           | 550  | 77.97        | 1.4   |              |      | 21     | 466   | 66.13        | 1.7  |        |       | 23     | 421  | 59.70        | 1.8   |        |      | 27     | 371   | 52.53        | 2.1   |        |       | 28    | 350   | 49.60        | 2.2   |        |       | 33     | 298   | 42.23        | 2.6   |        |       | 36     | 271   | 38.38        | 2.7   |        |       | 42     | 234   | 33.24        | 3.0   |        |       | 25     | 396   | 56.09        | 0.95  |        |       | 29     | 336   | 47.66        | 1.12  |        |       | 33     | 300   | 42.55        | 1.25  | 39     | 256   | 36.34  | 1.47  | 41           | 240   | 34.04  | 1.57  | 49     | 202   | 28.67        | 1.86  | 46     | 216   | 30.64  | 1.74  | 48           | 205   | 29.11  | 1.83  | 55           | 180   | 25.54        | 2.1   | 65     | 153   | 21.66        | 2.5   | 72     | 138   | 19.56  | 2.7   | 44           | 224   | 31.69  | 0.84  | 50    | 198   | 28.09        | 0.95  | 59     | 168   | 23.88  | 1.12  | 68           | 145   | 20.57  | 1.30  | 73    | 136   | 19.27        | 1.38  | 82    | 120   | 17.03  | 1.57  | 98           | 101   | 14.33  | 1.86  | 109   | 91    | 12.87        | 2.1   | 126          | 78    | 11.08  | 2.3   | 134    | 73    | 10.42        | 2.4   | 156          | 63    | 8.97   | 2.6   | 175   | 56    | 8.01         | 2.8   | 206          | 48    | 6.81  | 2.7   | 229   | 43    | 6.11         | 2.9   | 266   | 37    | 5.27  | 3.2   | 283          | 35    | 4.95  | 3.2   | 329   | 30    | 4.26         | 3.4   | 367   | 27    | 3.81  | 3.7   | <b>1.5kW</b> |       |       |       |       |       | <b>1.5kW</b> |       |       |       |       |       | 0.58         | 22102 | 2427  | 0.77  | 0.64  | 19898 | 2185         | 0.85  | 0.72  | 17703 | 1944  | 0.96  | 0.84         | 15244 | 1674  | 1.11  | 1.1   | 11911 | 1308         | 1.42  | 1.2   | 10646 | 1169  | 1.59  | 1.5          | 8679  | 953   | 1.95  | 1.7   | 7695  | 845          | 2.2   | 3.1   | 4062  | 446   | 4.2   | 4.7          | 2741  | 301   | 6.2   | 0.86  | 14744 | 1619         | 0.77  | 1.0   | 12758 | 1401  | 0.88  | 1.1          | 11201 | 1230  | 1.01  | 1.3   | 9881  | 1085         | 1.14  | 1.5   | 8533  | 937   | 1.32  | 1.7          | 7531  | 827   | 1.50  | 1.9   | 6675  | 733          | 1.69  | 2.2   | 5828  | 640   | 1.94  | 1.5          | 8651  | 950   | 0.83  | 1.7   | 7595  | 834          | 0.95  | 1.9   | 6702  | 736   | 1.08  | 2.2          | 5710  | 627   | 1.26  |       |       |              |       |      |       |      |       |              |       |      |       |      |       |              |       |      |       |      |       |              |       |      |       |              |       |              |       |      |       |              |       |              |       |              |       |              |       |              |       |              |       |      |       |      |       |      |       |      |       |      |       |      |       |      |       |      |       |      |       |      |       |      |       |      |       |      |       |      |       |      |       |      |       |      |       |      |       |      |      |      |       |      |       |      |       |      |       |      |       |      |       |      |       |      |       |      |      |      |      |      |      |     |      |     |      |     |      |     |      |     |      |     |      |     |      |     |      |     |      |     |      |     |      |
| 10            | 946        | 134.16   | 3.0                    |              |         | 11            | 870        | 123.29       | 3.2                    |              |         | 7.1          | 1399  | 198.31       | 1.01 |              |       | 7.4          | 1329 | 188.40       | 1.06  |              |      | F 77         | 4     | 8.4          | 1174 |              |       |              |      | 166.47       | 1.20  |              |      |              |       | 9.8          | 1003 | 142.27       | 1.41  |              |      | 11           | 920   | 130.42       | 1.53 |              |       | 12           | 807  | 114.45       | 1.75  |              |      | 13           | 765   | 108.46       | 1.84 |              |       | 15           | 670  | 94.93        | 2.1   |              |      | 16           | 603   | 85.52        | 2.3  |              |       | 19           | 529  | 75.02        | 2.7   | 12           | 853  | 120.79       | 0.9   | 13           | 769  | 109.04       | 1.0   | F 67         | 4    | 15           | 677   | 95.94        | 1.1  |              |       | 15           | 639  | 90.59        | 1.2   |              |      | 18           | 550   | 77.97        | 1.4  |              |       | 21           | 466  | 66.13        | 1.7   |              |      | 23     | 421   | 59.70        | 1.8  |        |       | 27     | 371  | 52.53        | 2.1   |        |      | 28     | 350   | 49.60        | 2.2   |        |       | 33    | 298   | 42.23        | 2.6   |        |       | 36     | 271   | 38.38        | 2.7   |        |       | 42     | 234   | 33.24        | 3.0   |        |       | 25     | 396   | 56.09        | 0.95  |        |       | 29     | 336   | 47.66        | 1.12  |        |       | 33     | 300   | 42.55        | 1.25  | 39     | 256   | 36.34  | 1.47  | 41           | 240   | 34.04  | 1.57  | 49     | 202   | 28.67        | 1.86  | 46     | 216   | 30.64  | 1.74  | 48           | 205   | 29.11  | 1.83  | 55     | 180   | 25.54        | 2.1   | 65     | 153   | 21.66        | 2.5   | 72           | 138   | 19.56  | 2.7   | 44           | 224   | 31.69  | 0.84  | 50     | 198   | 28.09        | 0.95  | 59     | 168   | 23.88 | 1.12  | 68           | 145   | 20.57  | 1.30  | 73     | 136   | 19.27        | 1.38  | 82     | 120   | 17.03 | 1.57  | 98           | 101   | 14.33 | 1.86  | 109    | 91    | 12.87        | 2.1   | 126    | 78    | 11.08 | 2.3   | 134          | 73    | 10.42        | 2.4   | 156    | 63    | 8.97   | 2.6   | 175          | 56    | 8.01         | 2.8   | 206    | 48    | 6.81  | 2.7   | 229          | 43    | 6.11         | 2.9   | 266   | 37    | 5.27  | 3.2   | 283          | 35    | 4.95  | 3.2   | 329   | 30    | 4.26         | 3.4   | 367   | 27    | 3.81  | 3.7   | <b>1.5kW</b> |       |       |       |       |       | <b>1.5kW</b> |       |       |       |       |       | 0.58         | 22102 | 2427  | 0.77  | 0.64  | 19898 | 2185         | 0.85  | 0.72  | 17703 | 1944  | 0.96  | 0.84         | 15244 | 1674  | 1.11  | 1.1   | 11911 | 1308         | 1.42  | 1.2   | 10646 | 1169  | 1.59  | 1.5          | 8679  | 953   | 1.95  | 1.7   | 7695  | 845          | 2.2   | 3.1   | 4062  | 446   | 4.2   | 4.7          | 2741  | 301   | 6.2   | 0.86  | 14744 | 1619         | 0.77  | 1.0   | 12758 | 1401  | 0.88  | 1.1          | 11201 | 1230  | 1.01  | 1.3   | 9881  | 1085         | 1.14  | 1.5   | 8533  | 937   | 1.32  | 1.7          | 7531  | 827   | 1.50  | 1.9   | 6675  | 733          | 1.69  | 2.2   | 5828  | 640   | 1.94  | 1.5          | 8651  | 950   | 0.83  | 1.7   | 7595  | 834          | 0.95  | 1.9   | 6702  | 736   | 1.08  | 2.2          | 5710  | 627   | 1.26  |       |       |              |       |       |       |       |       |              |       |      |       |      |       |              |       |      |       |      |       |              |       |      |       |      |       |              |       |      |       |              |       |              |       |      |       |              |       |              |       |              |       |              |       |              |       |              |       |      |       |      |       |      |       |      |       |      |       |      |       |      |       |      |       |      |       |      |       |      |       |      |       |      |       |      |       |      |       |      |       |      |       |      |       |      |      |      |       |      |       |      |       |      |       |      |       |      |       |      |       |      |       |      |      |      |      |      |      |     |      |     |      |     |      |     |      |     |      |     |      |     |      |     |      |     |      |     |      |     |      |
| 11            | 870        | 123.29   | 3.2                    |              |         | 7.1           | 1399       | 198.31       | 1.01                   |              |         | 7.4          | 1329  | 188.40       | 1.06 |              |       | F 77         | 4    | 8.4          | 1174  |              |      |              |       | 166.47       | 1.20 |              |       |              |      | 9.8          | 1003  | 142.27       | 1.41 |              |       | 11           | 920  | 130.42       | 1.53  |              |      | 12           | 807   | 114.45       | 1.75 |              |       | 13           | 765  | 108.46       | 1.84  |              |      | 15           | 670   | 94.93        | 2.1  |              |       | 16           | 603  | 85.52        | 2.3   |              |      | 19           | 529   | 75.02        | 2.7  | 12           | 853   | 120.79       | 0.9  | 13           | 769   | 109.04       | 1.0  | F 67         | 4     | 15           | 677  | 95.94        | 1.1   |              |      | 15           | 639   | 90.59        | 1.2  |              |       | 18           | 550  | 77.97        | 1.4   |              |      | 21           | 466   | 66.13        | 1.7  |              |       | 23           | 421  | 59.70        | 1.8   |              |      | 27     | 371   | 52.53        | 2.1  |        |       | 28     | 350  | 49.60        | 2.2   |        |      | 33     | 298   | 42.23        | 2.6   |        |       | 36    | 271   | 38.38        | 2.7   |        |       | 42     | 234   | 33.24        | 3.0   |        |       | 25     | 396   | 56.09        | 0.95  |        |       | 29     | 336   | 47.66        | 1.12  |        |       | 33     | 300   | 42.55        | 1.25  | 39     | 256   | 36.34  | 1.47  | 41           | 240   | 34.04  | 1.57  | 49     | 202   | 28.67        | 1.86  | 46     | 216   | 30.64  | 1.74  | 48           | 205   | 29.11  | 1.83  | 55     | 180   | 25.54        | 2.1   | 65     | 153   | 21.66  | 2.5   | 72           | 138   | 19.56  | 2.7   | 44           | 224   | 31.69        | 0.84  | 50     | 198   | 28.09        | 0.95  | 59     | 168   | 23.88  | 1.12  | 68           | 145   | 20.57  | 1.30  | 73    | 136   | 19.27        | 1.38  | 82     | 120   | 17.03  | 1.57  | 98           | 101   | 14.33  | 1.86  | 109   | 91    | 12.87        | 2.1   | 126   | 78    | 11.08  | 2.3   | 134          | 73    | 10.42  | 2.4   | 156   | 63    | 8.97         | 2.6   | 175          | 56    | 8.01   | 2.8   | 206    | 48    | 6.81         | 2.7   | 229          | 43    | 6.11   | 2.9   | 266   | 37    | 5.27         | 3.2   | 283          | 35    | 4.95  | 3.2   | 329   | 30    | 4.26         | 3.4   | 367   | 27    | 3.81  | 3.7   | <b>1.5kW</b> |       |       |       |       |       | <b>1.5kW</b> |       |       |       |       |       | 0.58         | 22102 | 2427  | 0.77  | 0.64  | 19898 | 2185         | 0.85  | 0.72  | 17703 | 1944  | 0.96  | 0.84         | 15244 | 1674  | 1.11  | 1.1   | 11911 | 1308         | 1.42  | 1.2   | 10646 | 1169  | 1.59  | 1.5          | 8679  | 953   | 1.95  | 1.7   | 7695  | 845          | 2.2   | 3.1   | 4062  | 446   | 4.2   | 4.7          | 2741  | 301   | 6.2   | 0.86  | 14744 | 1619         | 0.77  | 1.0   | 12758 | 1401  | 0.88  | 1.1          | 11201 | 1230  | 1.01  | 1.3   | 9881  | 1085         | 1.14  | 1.5   | 8533  | 937   | 1.32  | 1.7          | 7531  | 827   | 1.50  | 1.9   | 6675  | 733          | 1.69  | 2.2   | 5828  | 640   | 1.94  | 1.5          | 8651  | 950   | 0.83  | 1.7   | 7595  | 834          | 0.95  | 1.9   | 6702  | 736   | 1.08  | 2.2          | 5710  | 627   | 1.26  |       |       |              |       |       |       |       |       |              |       |       |       |       |       |              |       |      |       |      |       |              |       |      |       |      |       |              |       |      |       |      |       |              |       |      |       |              |       |              |       |      |       |              |       |              |       |              |       |              |       |              |       |              |       |      |       |      |       |      |       |      |       |      |       |      |       |      |       |      |       |      |       |      |       |      |       |      |       |      |       |      |       |      |       |      |       |      |       |      |       |      |      |      |       |      |       |      |       |      |       |      |       |      |       |      |       |      |       |      |      |      |      |      |      |     |      |     |      |     |      |     |      |     |      |     |      |     |      |     |      |     |      |     |      |     |      |
| 7.1           | 1399       | 198.31   | 1.01                   |              |         | 7.4           | 1329       | 188.40       | 1.06                   |              |         | F 77         | 4     | 8.4          | 1174 |              |       |              |      | 166.47       | 1.20  |              |      |              |       | 9.8          | 1003 | 142.27       | 1.41  |              |      | 11           | 920   | 130.42       | 1.53 |              |       | 12           | 807  | 114.45       | 1.75  |              |      | 13           | 765   | 108.46       | 1.84 |              |       | 15           | 670  | 94.93        | 2.1   |              |      | 16           | 603   | 85.52        | 2.3  |              |       | 19           | 529  | 75.02        | 2.7   | 12           | 853  | 120.79       | 0.9   | 13           | 769  | 109.04       | 1.0   | F 67         | 4    | 15           | 677   | 95.94        | 1.1  |              |       | 15           | 639  | 90.59        | 1.2   |              |      | 18           | 550   | 77.97        | 1.4  |              |       | 21           | 466  | 66.13        | 1.7   |              |      | 23           | 421   | 59.70        | 1.8  |              |       | 27           | 371  | 52.53        | 2.1   |              |      | 28     | 350   | 49.60        | 2.2  |        |       | 33     | 298  | 42.23        | 2.6   |        |      | 36     | 271   | 38.38        | 2.7   |        |       | 42    | 234   | 33.24        | 3.0   |        |       | 25     | 396   | 56.09        | 0.95  |        |       | 29     | 336   | 47.66        | 1.12  |        |       | 33     | 300   | 42.55        | 1.25  | 39     | 256   | 36.34  | 1.47  | 41           | 240   | 34.04  | 1.57  | 49     | 202   | 28.67        | 1.86  | 46     | 216   | 30.64  | 1.74  | 48           | 205   | 29.11  | 1.83  | 55     | 180   | 25.54        | 2.1   | 65     | 153   | 21.66  | 2.5   | 72           | 138   | 19.56  | 2.7   | 44     | 224   | 31.69        | 0.84  | 50     | 198   | 28.09        | 0.95  | 59           | 168   | 23.88  | 1.12  | 68           | 145   | 20.57  | 1.30  | 73     | 136   | 19.27        | 1.38  | 82     | 120   | 17.03 | 1.57  | 98           | 101   | 14.33  | 1.86  | 109    | 91    | 12.87        | 2.1   | 126    | 78    | 11.08 | 2.3   | 134          | 73    | 10.42 | 2.4   | 156    | 63    | 8.97         | 2.6   | 175    | 56    | 8.01  | 2.8   | 206          | 48    | 6.81         | 2.7   | 229    | 43    | 6.11   | 2.9   | 266          | 37    | 5.27         | 3.2   | 283    | 35    | 4.95  | 3.2   | 329          | 30    | 4.26         | 3.4   | 367   | 27    | 3.81  | 3.7   | <b>1.5kW</b> |       |       |       |       |       | <b>1.5kW</b> |       |       |       |       |       | 0.58         | 22102 | 2427  | 0.77  | 0.64  | 19898 | 2185         | 0.85  | 0.72  | 17703 | 1944  | 0.96  | 0.84         | 15244 | 1674  | 1.11  | 1.1   | 11911 | 1308         | 1.42  | 1.2   | 10646 | 1169  | 1.59  | 1.5          | 8679  | 953   | 1.95  | 1.7   | 7695  | 845          | 2.2   | 3.1   | 4062  | 446   | 4.2   | 4.7          | 2741  | 301   | 6.2   | 0.86  | 14744 | 1619         | 0.77  | 1.0   | 12758 | 1401  | 0.88  | 1.1          | 11201 | 1230  | 1.01  | 1.3   | 9881  | 1085         | 1.14  | 1.5   | 8533  | 937   | 1.32  | 1.7          | 7531  | 827   | 1.50  | 1.9   | 6675  | 733          | 1.69  | 2.2   | 5828  | 640   | 1.94  | 1.5          | 8651  | 950   | 0.83  | 1.7   | 7595  | 834          | 0.95  | 1.9   | 6702  | 736   | 1.08  | 2.2          | 5710  | 627   | 1.26  |       |       |              |       |       |       |       |       |              |       |       |       |       |       |              |       |       |       |       |       |              |       |      |       |      |       |              |       |      |       |      |       |              |       |      |       |      |       |              |       |      |       |              |       |              |       |      |       |              |       |              |       |              |       |              |       |              |       |              |       |      |       |      |       |      |       |      |       |      |       |      |       |      |       |      |       |      |       |      |       |      |       |      |       |      |       |      |       |      |       |      |       |      |       |      |       |      |      |      |       |      |       |      |       |      |       |      |       |      |       |      |       |      |       |      |      |      |      |      |      |     |      |     |      |     |      |     |      |     |      |     |      |     |      |     |      |     |      |     |      |     |      |
| 7.4           | 1329       | 188.40   | 1.06                   |              |         | F 77          | 4          | 8.4          | 1174                   |              |         |              |       | 166.47       | 1.20 |              |       |              |      | 9.8          | 1003  | 142.27       | 1.41 |              |       | 11           | 920  | 130.42       | 1.53  |              |      | 12           | 807   | 114.45       | 1.75 |              |       | 13           | 765  | 108.46       | 1.84  |              |      | 15           | 670   | 94.93        | 2.1  |              |       | 16           | 603  | 85.52        | 2.3   |              |      | 19           | 529   | 75.02        | 2.7  | 12           | 853   | 120.79       | 0.9  | 13           | 769   | 109.04       | 1.0  | F 67         | 4     | 15           | 677  | 95.94        | 1.1   |              |      | 15           | 639   | 90.59        | 1.2  |              |       | 18           | 550  | 77.97        | 1.4   |              |      | 21           | 466   | 66.13        | 1.7  |              |       | 23           | 421  | 59.70        | 1.8   |              |      | 27           | 371   | 52.53        | 2.1  |              |       | 28           | 350  | 49.60        | 2.2   |              |      | 33     | 298   | 42.23        | 2.6  |        |       | 36     | 271  | 38.38        | 2.7   |        |      | 42     | 234   | 33.24        | 3.0   |        |       | 25    | 396   | 56.09        | 0.95  |        |       | 29     | 336   | 47.66        | 1.12  |        |       | 33     | 300   | 42.55        | 1.25  | 39     | 256   | 36.34  | 1.47  | 41           | 240   | 34.04  | 1.57  | 49     | 202   | 28.67        | 1.86  | 46     | 216   | 30.64  | 1.74  | 48           | 205   | 29.11  | 1.83  | 55     | 180   | 25.54        | 2.1   | 65     | 153   | 21.66  | 2.5   | 72           | 138   | 19.56  | 2.7   | 44     | 224   | 31.69        | 0.84  | 50     | 198   | 28.09  | 0.95  | 59           | 168   | 23.88  | 1.12  | 68           | 145   | 20.57        | 1.30  | 73     | 136   | 19.27        | 1.38  | 82     | 120   | 17.03  | 1.57  | 98           | 101   | 14.33  | 1.86  | 109   | 91    | 12.87        | 2.1   | 126    | 78    | 11.08  | 2.3   | 134          | 73    | 10.42  | 2.4   | 156   | 63    | 8.97         | 2.6   | 175   | 56    | 8.01   | 2.8   | 206          | 48    | 6.81   | 2.7   | 229   | 43    | 6.11         | 2.9   | 266          | 37    | 5.27   | 3.2   | 283    | 35    | 4.95         | 3.2   | 329          | 30    | 4.26   | 3.4   | 367   | 27    | 3.81         | 3.7   | <b>1.5kW</b> |       |       |       |       |       | <b>1.5kW</b> |       |       |       |       |       | 0.58         | 22102 | 2427  | 0.77  | 0.64  | 19898 | 2185         | 0.85  | 0.72  | 17703 | 1944  | 0.96  | 0.84         | 15244 | 1674  | 1.11  | 1.1   | 11911 | 1308         | 1.42  | 1.2   | 10646 | 1169  | 1.59  | 1.5          | 8679  | 953   | 1.95  | 1.7   | 7695  | 845          | 2.2   | 3.1   | 4062  | 446   | 4.2   | 4.7          | 2741  | 301   | 6.2   | 0.86  | 14744 | 1619         | 0.77  | 1.0   | 12758 | 1401  | 0.88  | 1.1          | 11201 | 1230  | 1.01  | 1.3   | 9881  | 1085         | 1.14  | 1.5   | 8533  | 937   | 1.32  | 1.7          | 7531  | 827   | 1.50  | 1.9   | 6675  | 733          | 1.69  | 2.2   | 5828  | 640   | 1.94  | 1.5          | 8651  | 950   | 0.83  | 1.7   | 7595  | 834          | 0.95  | 1.9   | 6702  | 736   | 1.08  | 2.2          | 5710  | 627   | 1.26  |       |       |              |       |       |       |       |       |              |       |       |       |       |       |              |       |       |       |       |       |              |       |       |       |       |       |              |       |      |       |      |       |              |       |      |       |      |       |              |       |      |       |      |       |              |       |      |       |              |       |              |       |      |       |              |       |              |       |              |       |              |       |              |       |              |       |      |       |      |       |      |       |      |       |      |       |      |       |      |       |      |       |      |       |      |       |      |       |      |       |      |       |      |       |      |       |      |       |      |       |      |       |      |      |      |       |      |       |      |       |      |       |      |       |      |       |      |       |      |       |      |      |      |      |      |      |     |      |     |      |     |      |     |      |     |      |     |      |     |      |     |      |     |      |     |      |     |      |
| 8.4           | 1174       | 166.47   | 1.20                   |              |         |               |            | 9.8          | 1003                   |              |         |              |       | 142.27       | 1.41 | 11           | 920   |              |      | 130.42       | 1.53  | 12           | 807  |              |       | 114.45       | 1.75 | 13           | 765   |              |      | 108.46       | 1.84  | 15           | 670  |              |       | 94.93        | 2.1  | 16           | 603   |              |      | 85.52        | 2.3   | 19           | 529  |              |       | 75.02        | 2.7  | 12           | 853   | 120.79       | 0.9  | 13           | 769   | 109.04       | 1.0  | F 67         | 4     | 15           | 677  | 95.94        | 1.1   | 15           | 639  |              |       | 90.59        | 1.2  | 18           | 550   |              |      | 77.97        | 1.4   | 21           | 466  |              |       | 66.13        | 1.7  | 23           | 421   |              |      | 59.70        | 1.8   | 27           | 371  |              |       | 52.53        | 2.1  | 28           | 350   |              |      | 49.60        | 2.2   | 33           | 298  |              |       | 42.23        | 2.6  | 36           | 271   |              |      | 38.38  | 2.7   | 42           | 234  |        |       | 33.24  | 3.0  | 25           | 396   |        |      | 56.09  | 0.95  | 29           | 336   |        |       | 47.66 | 1.12  | 33           | 300   |        |       | 42.55  | 1.25  | 39           | 256   | 36.34  | 1.47  | 41     | 240   | 34.04        | 1.57  | 49     | 202   | 28.67  | 1.86  | 46           | 216   | 30.64  | 1.74  | 48     | 205   | 29.11        | 1.83  | 55     | 180   | 25.54  | 2.1   | 65           | 153   | 21.66  | 2.5   | 72     | 138   | 19.56        | 2.7   | 44     | 224   | 31.69  | 0.84  | 50           | 198   | 28.09  | 0.95  | 59     | 168   | 23.88        | 1.12  | 68     | 145   | 20.57  | 1.30  | 73           | 136   | 19.27  | 1.38  | 82           | 120   | 17.03        | 1.57  | 98     | 101   | 14.33        | 1.86  | 109    | 91    | 12.87  | 2.1   | 126          | 78    | 11.08  | 2.3   | 134   | 73    | 10.42        | 2.4   | 156    | 63    | 8.97   | 2.6   | 175          | 56    | 8.01   | 2.8   | 206   | 48    | 6.81         | 2.7   | 229   | 43    | 6.11   | 2.9   | 266          | 37    | 5.27   | 3.2   | 283   | 35    | 4.95         | 3.2   | 329          | 30    | 4.26   | 3.4   | 367    | 27    | 3.81         | 3.7   | <b>1.5kW</b> |       |        |       |       |       | <b>1.5kW</b> |       |              |       |       |       | 0.58  | 22102 | 2427         | 0.77  | 0.64  | 19898 | 2185  | 0.85  | 0.72         | 17703 | 1944  | 0.96  | 0.84  | 15244 | 1674         | 1.11  | 1.1   | 11911 | 1308  | 1.42  | 1.2          | 10646 | 1169  | 1.59  | 1.5   | 8679  | 953          | 1.95  | 1.7   | 7695  | 845   | 2.2   | 3.1          | 4062  | 446   | 4.2   | 4.7   | 2741  | 301          | 6.2   | 0.86  | 14744 | 1619  | 0.77  | 1.0          | 12758 | 1401  | 0.88  | 1.1   | 11201 | 1230         | 1.01  | 1.3   | 9881  | 1085  | 1.14  | 1.5          | 8533  | 937   | 1.32  | 1.7   | 7531  | 827          | 1.50  | 1.9   | 6675  | 733   | 1.69  | 2.2          | 5828  | 640   | 1.94  | 1.5   | 8651  | 950          | 0.83  | 1.7   | 7595  | 834   | 0.95  | 1.9          | 6702  | 736   | 1.08  | 2.2   | 5710  | 627          | 1.26  |       |       |       |       |              |       |       |       |       |       |              |       |       |       |       |       |              |       |       |       |       |       |              |       |       |       |       |       |              |       |       |       |       |       |              |       |      |       |      |       |              |       |      |       |      |       |              |       |      |       |      |       |              |       |      |       |              |       |              |       |      |       |              |       |              |       |              |       |              |       |              |       |              |       |      |       |      |       |      |       |      |       |      |       |      |       |      |       |      |       |      |       |      |       |      |       |      |       |      |       |      |       |      |       |      |       |      |       |      |       |      |      |      |       |      |       |      |       |      |       |      |       |      |       |      |       |      |       |      |      |      |      |      |      |     |      |     |      |     |      |     |      |     |      |     |      |     |      |     |      |     |      |     |      |     |      |
| 9.8           | 1003       | 142.27   | 1.41                   |              |         |               |            | 11           | 920                    | 130.42       | 1.53    |              |       | 12           | 807  | 114.45       | 1.75  |              |      | 13           | 765   | 108.46       | 1.84 |              |       | 15           | 670  | 94.93        | 2.1   |              |      | 16           | 603   | 85.52        | 2.3  |              |       | 19           | 529  | 75.02        | 2.7   |              |      | 12           | 853   | 120.79       | 0.9  | 13           | 769   | 109.04       | 1.0  | F 67         | 4     | 15           | 677  | 95.94        | 1.1   | 15           | 639  |              |       | 90.59        | 1.2  | 18           | 550   | 77.97        | 1.4  |              |       | 21           | 466  | 66.13        | 1.7   |              |      | 23           | 421   | 59.70        | 1.8  |              |       | 27           | 371  | 52.53        | 2.1   |              |      | 28           | 350   | 49.60        | 2.2  |              |       | 33           | 298  | 42.23        | 2.6   |              |      | 36           | 271   | 38.38        | 2.7  |              |       | 42           | 234  | 33.24        | 3.0   |              |      | 25     | 396   | 56.09        | 0.95 |        |       | 29     | 336  | 47.66        | 1.12  |        |      | 33     | 300   | 42.55        | 1.25  |        |       | 39    | 256   | 36.34        | 1.47  | 41     | 240   | 34.04  | 1.57  | 49           | 202   | 28.67  | 1.86  | 46     | 216   | 30.64        | 1.74  | 48     | 205   | 29.11  | 1.83  | 55           | 180   | 25.54  | 2.1   | 65     | 153   | 21.66        | 2.5   | 72     | 138   | 19.56  | 2.7   | 44           | 224   | 31.69  | 0.84  | 50     | 198   | 28.09        | 0.95  | 59     | 168   | 23.88  | 1.12  | 68           | 145   | 20.57  | 1.30  | 73     | 136   | 19.27        | 1.38  | 82     | 120   | 17.03  | 1.57  | 98           | 101   | 14.33  | 1.86  | 109          | 91    | 12.87        | 2.1   | 126    | 78    | 11.08        | 2.3   | 134    | 73    | 10.42  | 2.4   | 156          | 63    | 8.97   | 2.6   | 175   | 56    | 8.01         | 2.8   | 206    | 48    | 6.81   | 2.7   | 229          | 43    | 6.11   | 2.9   | 266   | 37    | 5.27         | 3.2   | 283   | 35    | 4.95   | 3.2   | 329          | 30    | 4.26   | 3.4   | 367   | 27    | 3.81         | 3.7   | <b>1.5kW</b> |       |        |       |        |       | <b>1.5kW</b> |       |              |       |        |       | 0.58  | 22102 | 2427         | 0.77  | 0.64         | 19898 | 2185  | 0.85  | 0.72  | 17703 | 1944         | 0.96  | 0.84  | 15244 | 1674  | 1.11  | 1.1          | 11911 | 1308  | 1.42  | 1.2   | 10646 | 1169         | 1.59  | 1.5   | 8679  | 953   | 1.95  | 1.7          | 7695  | 845   | 2.2   | 3.1   | 4062  | 446          | 4.2   | 4.7   | 2741  | 301   | 6.2   | 0.86         | 14744 | 1619  | 0.77  | 1.0   | 12758 | 1401         | 0.88  | 1.1   | 11201 | 1230  | 1.01  | 1.3          | 9881  | 1085  | 1.14  | 1.5   | 8533  | 937          | 1.32  | 1.7   | 7531  | 827   | 1.50  | 1.9          | 6675  | 733   | 1.69  | 2.2   | 5828  | 640          | 1.94  | 1.5   | 8651  | 950   | 0.83  | 1.7          | 7595  | 834   | 0.95  | 1.9   | 6702  | 736          | 1.08  | 2.2   | 5710  | 627   | 1.26  |              |       |       |       |       |       |              |       |       |       |       |       |              |       |       |       |       |       |              |       |       |       |       |       |              |       |       |       |       |       |              |       |       |       |       |       |              |       |       |       |       |       |              |       |      |       |      |       |              |       |      |       |      |       |              |       |      |       |      |       |              |       |      |       |              |       |              |       |      |       |              |       |              |       |              |       |              |       |              |       |              |       |      |       |      |       |      |       |      |       |      |       |      |       |      |       |      |       |      |       |      |       |      |       |      |       |      |       |      |       |      |       |      |       |      |       |      |       |      |      |      |       |      |       |      |       |      |       |      |       |      |       |      |       |      |       |      |      |      |      |      |      |     |      |     |      |     |      |     |      |     |      |     |      |     |      |     |      |     |      |     |      |     |      |
| 11            | 920        | 130.42   | 1.53                   | 12           | 807     |               |            | 114.45       | 1.75                   | 13           | 765     |              |       | 108.46       | 1.84 | 15           | 670   |              |      | 94.93        | 2.1   | 16           | 603  |              |       | 85.52        | 2.3  | 19           | 529   |              |      | 75.02        | 2.7   | 12           | 853  |              |       | 120.79       | 0.9  | 13           | 769   | 109.04       | 1.0  | F 67         | 4     | 15           | 677  | 95.94        | 1.1   | 15           | 639  |              |       | 90.59        | 1.2  | 18           | 550   | 77.97        | 1.4  |              |       | 21           | 466  | 66.13        | 1.7   | 23           | 421  |              |       | 59.70        | 1.8  | 27           | 371   |              |      | 52.53        | 2.1   | 28           | 350  |              |       | 49.60        | 2.2  | 33           | 298   |              |      | 42.23        | 2.6   | 36           | 271  |              |       | 38.38        | 2.7  | 42           | 234   |              |      | 33.24        | 3.0   | 25           | 396  |              |       | 56.09        | 0.95 | 29           | 336   |              |      | 47.66  | 1.12  | 33           | 300  |        |       | 42.55  | 1.25 | 39           | 256   |        |      | 36.34  | 1.47  | 41           | 240   | 34.04  | 1.57  | 49    | 202   | 28.67        | 1.86  | 46     | 216   | 30.64  | 1.74  | 48           | 205   | 29.11  | 1.83  | 55     | 180   | 25.54        | 2.1   | 65     | 153   | 21.66  | 2.5   | 72           | 138   | 19.56  | 2.7   | 44     | 224   | 31.69        | 0.84  | 50     | 198   | 28.09  | 0.95  | 59           | 168   | 23.88  | 1.12  | 68     | 145   | 20.57        | 1.30  | 73     | 136   | 19.27  | 1.38  | 82           | 120   | 17.03  | 1.57  | 98     | 101   | 14.33        | 1.86  | 109    | 91    | 12.87  | 2.1   | 126          | 78    | 11.08  | 2.3   | 134          | 73    | 10.42        | 2.4   | 156    | 63    | 8.97         | 2.6   | 175    | 56    | 8.01   | 2.8   | 206          | 48    | 6.81   | 2.7   | 229   | 43    | 6.11         | 2.9   | 266    | 37    | 5.27   | 3.2   | 283          | 35    | 4.95   | 3.2   | 329   | 30    | 4.26         | 3.4   | 367   | 27    | 3.81   | 3.7   | <b>1.5kW</b> |       |        |       |       |       | <b>1.5kW</b> |       |              |       |        |       | 0.58   | 22102 | 2427         | 0.77  | 0.64         | 19898 | 2185   | 0.85  | 0.72  | 17703 | 1944         | 0.96  | 0.84         | 15244 | 1674  | 1.11  | 1.1   | 11911 | 1308         | 1.42  | 1.2   | 10646 | 1169  | 1.59  | 1.5          | 8679  | 953   | 1.95  | 1.7   | 7695  | 845          | 2.2   | 3.1   | 4062  | 446   | 4.2   | 4.7          | 2741  | 301   | 6.2   | 0.86  | 14744 | 1619         | 0.77  | 1.0   | 12758 | 1401  | 0.88  | 1.1          | 11201 | 1230  | 1.01  | 1.3   | 9881  | 1085         | 1.14  | 1.5   | 8533  | 937   | 1.32  | 1.7          | 7531  | 827   | 1.50  | 1.9   | 6675  | 733          | 1.69  | 2.2   | 5828  | 640   | 1.94  | 1.5          | 8651  | 950   | 0.83  | 1.7   | 7595  | 834          | 0.95  | 1.9   | 6702  | 736   | 1.08  | 2.2          | 5710  | 627   | 1.26  |       |       |              |       |       |       |       |       |              |       |       |       |       |       |              |       |       |       |       |       |              |       |       |       |       |       |              |       |       |       |       |       |              |       |       |       |       |       |              |       |       |       |       |       |              |       |       |       |       |       |              |       |      |       |      |       |              |       |      |       |      |       |              |       |      |       |      |       |              |       |      |       |              |       |              |       |      |       |              |       |              |       |              |       |              |       |              |       |              |       |      |       |      |       |      |       |      |       |      |       |      |       |      |       |      |       |      |       |      |       |      |       |      |       |      |       |      |       |      |       |      |       |      |       |      |       |      |      |      |       |      |       |      |       |      |       |      |       |      |       |      |       |      |       |      |      |      |      |      |      |     |      |     |      |     |      |     |      |     |      |     |      |     |      |     |      |     |      |     |      |     |      |
| 12            | 807        | 114.45   | 1.75                   | 13           | 765     |               |            | 108.46       | 1.84                   | 15           | 670     |              |       | 94.93        | 2.1  | 16           | 603   |              |      | 85.52        | 2.3   | 19           | 529  |              |       | 75.02        | 2.7  | 12           | 853   |              |      | 120.79       | 0.9   | 13           | 769  | 109.04       | 1.0   | F 67         | 4    | 15           | 677   | 95.94        | 1.1  |              |       | 15           | 639  | 90.59        | 1.2   | 18           | 550  |              |       | 77.97        | 1.4  | 21           | 466   | 66.13        | 1.7  |              |       | 23           | 421  | 59.70        | 1.8   | 27           | 371  |              |       | 52.53        | 2.1  | 28           | 350   |              |      | 49.60        | 2.2   | 33           | 298  |              |       | 42.23        | 2.6  | 36           | 271   |              |      | 38.38        | 2.7   | 42           | 234  |              |       | 33.24        | 3.0  | 25           | 396   |              |      | 56.09        | 0.95  | 29           | 336  |              |       | 47.66        | 1.12 | 33           | 300   |              |      | 42.55  | 1.25  | 39           | 256  |        |       | 36.34  | 1.47 | 41           | 240   | 34.04  | 1.57 | 49     | 202   | 28.67        | 1.86  | 46     | 216   | 30.64 | 1.74  | 48           | 205   | 29.11  | 1.83  | 55     | 180   | 25.54        | 2.1   | 65     | 153   | 21.66  | 2.5   | 72           | 138   | 19.56  | 2.7   | 44     | 224   | 31.69        | 0.84  | 50     | 198   | 28.09  | 0.95  | 59           | 168   | 23.88  | 1.12  | 68     | 145   | 20.57        | 1.30  | 73     | 136   | 19.27  | 1.38  | 82           | 120   | 17.03  | 1.57  | 98     | 101   | 14.33        | 1.86  | 109    | 91    | 12.87  | 2.1   | 126          | 78    | 11.08  | 2.3   | 134    | 73    | 10.42        | 2.4   | 156    | 63    | 8.97         | 2.6   | 175          | 56    | 8.01   | 2.8   | 206          | 48    | 6.81   | 2.7   | 229    | 43    | 6.11         | 2.9   | 266    | 37    | 5.27  | 3.2   | 283          | 35    | 4.95   | 3.2   | 329    | 30    | 4.26         | 3.4   | 367    | 27    | 3.81  | 3.7   | <b>1.5kW</b> |       |       |       |        |       | <b>1.5kW</b> |       |        |       |       |       | 0.58         | 22102 | 2427         | 0.77  | 0.64   | 19898 | 2185   | 0.85  | 0.72         | 17703 | 1944         | 0.96  | 0.84   | 15244 | 1674  | 1.11  | 1.1          | 11911 | 1308         | 1.42  | 1.2   | 10646 | 1169  | 1.59  | 1.5          | 8679  | 953   | 1.95  | 1.7   | 7695  | 845          | 2.2   | 3.1   | 4062  | 446   | 4.2   | 4.7          | 2741  | 301   | 6.2   | 0.86  | 14744 | 1619         | 0.77  | 1.0   | 12758 | 1401  | 0.88  | 1.1          | 11201 | 1230  | 1.01  | 1.3   | 9881  | 1085         | 1.14  | 1.5   | 8533  | 937   | 1.32  | 1.7          | 7531  | 827   | 1.50  | 1.9   | 6675  | 733          | 1.69  | 2.2   | 5828  | 640   | 1.94  | 1.5          | 8651  | 950   | 0.83  | 1.7   | 7595  | 834          | 0.95  | 1.9   | 6702  | 736   | 1.08  | 2.2          | 5710  | 627   | 1.26  |       |       |              |       |       |       |       |       |              |       |       |       |       |       |              |       |       |       |       |       |              |       |       |       |       |       |              |       |       |       |       |       |              |       |       |       |       |       |              |       |       |       |       |       |              |       |       |       |       |       |              |       |       |       |       |       |              |       |      |       |      |       |              |       |      |       |      |       |              |       |      |       |      |       |              |       |      |       |              |       |              |       |      |       |              |       |              |       |              |       |              |       |              |       |              |       |      |       |      |       |      |       |      |       |      |       |      |       |      |       |      |       |      |       |      |       |      |       |      |       |      |       |      |       |      |       |      |       |      |       |      |       |      |      |      |       |      |       |      |       |      |       |      |       |      |       |      |       |      |       |      |      |      |      |      |      |     |      |     |      |     |      |     |      |     |      |     |      |     |      |     |      |     |      |     |      |     |      |
| 13            | 765        | 108.46   | 1.84                   | 15           | 670     |               |            | 94.93        | 2.1                    | 16           | 603     |              |       | 85.52        | 2.3  | 19           | 529   |              |      | 75.02        | 2.7   | 12           | 853  |              |       | 120.79       | 0.9  | 13           | 769   | 109.04       | 1.0  | F 67         | 4     | 15           | 677  | 95.94        | 1.1   |              |      | 15           | 639   | 90.59        | 1.2  |              |       | 18           | 550  | 77.97        | 1.4   | 21           | 466  |              |       | 66.13        | 1.7  | 23           | 421   | 59.70        | 1.8  |              |       | 27           | 371  | 52.53        | 2.1   | 28           | 350  |              |       | 49.60        | 2.2  | 33           | 298   |              |      | 42.23        | 2.6   | 36           | 271  |              |       | 38.38        | 2.7  | 42           | 234   |              |      | 33.24        | 3.0   | 25           | 396  |              |       | 56.09        | 0.95 | 29           | 336   |              |      | 47.66        | 1.12  | 33           | 300  |              |       | 42.55        | 1.25 | 39           | 256   |              |      | 36.34  | 1.47  | 41           | 240  | 34.04  | 1.57  | 49     | 202  | 28.67        | 1.86  | 46     | 216  | 30.64  | 1.74  | 48           | 205   | 29.11  | 1.83  | 55    | 180   | 25.54        | 2.1   | 65     | 153   | 21.66  | 2.5   | 72           | 138   | 19.56  | 2.7   | 44     | 224   | 31.69        | 0.84  | 50     | 198   | 28.09  | 0.95  | 59           | 168   | 23.88  | 1.12  | 68     | 145   | 20.57        | 1.30  | 73     | 136   | 19.27  | 1.38  | 82           | 120   | 17.03  | 1.57  | 98     | 101   | 14.33        | 1.86  | 109    | 91    | 12.87  | 2.1   | 126          | 78    | 11.08  | 2.3   | 134    | 73    | 10.42        | 2.4   | 156    | 63    | 8.97   | 2.6   | 175          | 56    | 8.01   | 2.8   | 206          | 48    | 6.81         | 2.7   | 229    | 43    | 6.11         | 2.9   | 266    | 37    | 5.27   | 3.2   | 283          | 35    | 4.95   | 3.2   | 329   | 30    | 4.26         | 3.4   | 367    | 27    | 3.81   | 3.7   | <b>1.5kW</b> |       |        |       |       |       | <b>1.5kW</b> |       |       |       |        |       | 0.58         | 22102 | 2427   | 0.77  | 0.64  | 19898 | 2185         | 0.85  | 0.72         | 17703 | 1944   | 0.96  | 0.84   | 15244 | 1674         | 1.11  | 1.1          | 11911 | 1308   | 1.42  | 1.2   | 10646 | 1169         | 1.59  | 1.5          | 8679  | 953   | 1.95  | 1.7   | 7695  | 845          | 2.2   | 3.1   | 4062  | 446   | 4.2   | 4.7          | 2741  | 301   | 6.2   | 0.86  | 14744 | 1619         | 0.77  | 1.0   | 12758 | 1401  | 0.88  | 1.1          | 11201 | 1230  | 1.01  | 1.3   | 9881  | 1085         | 1.14  | 1.5   | 8533  | 937   | 1.32  | 1.7          | 7531  | 827   | 1.50  | 1.9   | 6675  | 733          | 1.69  | 2.2   | 5828  | 640   | 1.94  | 1.5          | 8651  | 950   | 0.83  | 1.7   | 7595  | 834          | 0.95  | 1.9   | 6702  | 736   | 1.08  | 2.2          | 5710  | 627   | 1.26  |       |       |              |       |       |       |       |       |              |       |       |       |       |       |              |       |       |       |       |       |              |       |       |       |       |       |              |       |       |       |       |       |              |       |       |       |       |       |              |       |       |       |       |       |              |       |       |       |       |       |              |       |       |       |       |       |              |       |       |       |       |       |              |       |      |       |      |       |              |       |      |       |      |       |              |       |      |       |      |       |              |       |      |       |              |       |              |       |      |       |              |       |              |       |              |       |              |       |              |       |              |       |      |       |      |       |      |       |      |       |      |       |      |       |      |       |      |       |      |       |      |       |      |       |      |       |      |       |      |       |      |       |      |       |      |       |      |       |      |      |      |       |      |       |      |       |      |       |      |       |      |       |      |       |      |       |      |      |      |      |      |      |     |      |     |      |     |      |     |      |     |      |     |      |     |      |     |      |     |      |     |      |     |      |
| 15            | 670        | 94.93    | 2.1                    | 16           | 603     |               |            | 85.52        | 2.3                    | 19           | 529     |              |       | 75.02        | 2.7  | 12           | 853   |              |      | 120.79       | 0.9   | 13           | 769  | 109.04       | 1.0   | F 67         | 4    | 15           | 677   | 95.94        | 1.1  |              |       | 15           | 639  | 90.59        | 1.2   |              |      | 18           | 550   | 77.97        | 1.4  |              |       | 21           | 466  | 66.13        | 1.7   | 23           | 421  |              |       | 59.70        | 1.8  | 27           | 371   | 52.53        | 2.1  |              |       | 28           | 350  | 49.60        | 2.2   | 33           | 298  |              |       | 42.23        | 2.6  | 36           | 271   |              |      | 38.38        | 2.7   | 42           | 234  |              |       | 33.24        | 3.0  | 25           | 396   |              |      | 56.09        | 0.95  | 29           | 336  |              |       | 47.66        | 1.12 | 33           | 300   |              |      | 42.55        | 1.25  | 39           | 256  |              |       | 36.34        | 1.47 | 41           | 240   | 34.04        | 1.57 | 49     | 202   | 28.67        | 1.86 | 46     | 216   | 30.64  | 1.74 | 48           | 205   | 29.11  | 1.83 | 55     | 180   | 25.54        | 2.1   | 65     | 153   | 21.66 | 2.5   | 72           | 138   | 19.56  | 2.7   | 44     | 224   | 31.69        | 0.84  | 50     | 198   | 28.09  | 0.95  | 59           | 168   | 23.88  | 1.12  | 68     | 145   | 20.57        | 1.30  | 73     | 136   | 19.27  | 1.38  | 82           | 120   | 17.03  | 1.57  | 98     | 101   | 14.33        | 1.86  | 109    | 91    | 12.87  | 2.1   | 126          | 78    | 11.08  | 2.3   | 134    | 73    | 10.42        | 2.4   | 156    | 63    | 8.97   | 2.6   | 175          | 56    | 8.01   | 2.8   | 206    | 48    | 6.81         | 2.7   | 229    | 43    | 6.11         | 2.9   | 266          | 37    | 5.27   | 3.2   | 283          | 35    | 4.95   | 3.2   | 329    | 30    | 4.26         | 3.4   | 367    | 27    | 3.81  | 3.7   | <b>1.5kW</b> |       |        |       |        |       | <b>1.5kW</b> |       |        |       |       |       | 0.58         | 22102 | 2427  | 0.77  | 0.64   | 19898 | 2185         | 0.85  | 0.72   | 17703 | 1944  | 0.96  | 0.84         | 15244 | 1674         | 1.11  | 1.1    | 11911 | 1308   | 1.42  | 1.2          | 10646 | 1169         | 1.59  | 1.5    | 8679  | 953   | 1.95  | 1.7          | 7695  | 845          | 2.2   | 3.1   | 4062  | 446   | 4.2   | 4.7          | 2741  | 301   | 6.2   | 0.86  | 14744 | 1619         | 0.77  | 1.0   | 12758 | 1401  | 0.88  | 1.1          | 11201 | 1230  | 1.01  | 1.3   | 9881  | 1085         | 1.14  | 1.5   | 8533  | 937   | 1.32  | 1.7          | 7531  | 827   | 1.50  | 1.9   | 6675  | 733          | 1.69  | 2.2   | 5828  | 640   | 1.94  | 1.5          | 8651  | 950   | 0.83  | 1.7   | 7595  | 834          | 0.95  | 1.9   | 6702  | 736   | 1.08  | 2.2          | 5710  | 627   | 1.26  |       |       |              |       |       |       |       |       |              |       |       |       |       |       |              |       |       |       |       |       |              |       |       |       |       |       |              |       |       |       |       |       |              |       |       |       |       |       |              |       |       |       |       |       |              |       |       |       |       |       |              |       |       |       |       |       |              |       |       |       |       |       |              |       |       |       |       |       |              |       |      |       |      |       |              |       |      |       |      |       |              |       |      |       |      |       |              |       |      |       |              |       |              |       |      |       |              |       |              |       |              |       |              |       |              |       |              |       |      |       |      |       |      |       |      |       |      |       |      |       |      |       |      |       |      |       |      |       |      |       |      |       |      |       |      |       |      |       |      |       |      |       |      |       |      |      |      |       |      |       |      |       |      |       |      |       |      |       |      |       |      |       |      |      |      |      |      |      |     |      |     |      |     |      |     |      |     |      |     |      |     |      |     |      |     |      |     |      |     |      |
| 16            | 603        | 85.52    | 2.3                    | 19           | 529     |               |            | 75.02        | 2.7                    | 12           | 853     |              |       | 120.79       | 0.9  | 13           | 769   | 109.04       | 1.0  | F 67         | 4     | 15           | 677  | 95.94        | 1.1   |              |      | 15           | 639   | 90.59        | 1.2  |              |       | 18           | 550  | 77.97        | 1.4   |              |      | 21           | 466   | 66.13        | 1.7  |              |       | 23           | 421  | 59.70        | 1.8   | 27           | 371  |              |       | 52.53        | 2.1  | 28           | 350   | 49.60        | 2.2  |              |       | 33           | 298  | 42.23        | 2.6   | 36           | 271  |              |       | 38.38        | 2.7  | 42           | 234   |              |      | 33.24        | 3.0   | 25           | 396  |              |       | 56.09        | 0.95 | 29           | 336   |              |      | 47.66        | 1.12  | 33           | 300  |              |       | 42.55        | 1.25 | 39           | 256   |              |      | 36.34        | 1.47  | 41           | 240  | 34.04        | 1.57  | 49           | 202  | 28.67        | 1.86  | 46           | 216  | 30.64  | 1.74  | 48           | 205  | 29.11  | 1.83  | 55     | 180  | 25.54        | 2.1   | 65     | 153  | 21.66  | 2.5   | 72           | 138   | 19.56  | 2.7   | 44    | 224   | 31.69        | 0.84  | 50     | 198   | 28.09  | 0.95  | 59           | 168   | 23.88  | 1.12  | 68     | 145   | 20.57        | 1.30  | 73     | 136   | 19.27  | 1.38  | 82           | 120   | 17.03  | 1.57  | 98     | 101   | 14.33        | 1.86  | 109    | 91    | 12.87  | 2.1   | 126          | 78    | 11.08  | 2.3   | 134    | 73    | 10.42        | 2.4   | 156    | 63    | 8.97   | 2.6   | 175          | 56    | 8.01   | 2.8   | 206    | 48    | 6.81         | 2.7   | 229    | 43    | 6.11   | 2.9   | 266          | 37    | 5.27   | 3.2   | 283          | 35    | 4.95         | 3.2   | 329    | 30    | 4.26         | 3.4   | 367    | 27    | 3.81   | 3.7   | <b>1.5kW</b> |       |        |       |       |       | <b>1.5kW</b> |       |        |       |        |       | 0.58         | 22102 | 2427   | 0.77  | 0.64  | 19898 | 2185         | 0.85  | 0.72  | 17703 | 1944   | 0.96  | 0.84         | 15244 | 1674   | 1.11  | 1.1   | 11911 | 1308         | 1.42  | 1.2          | 10646 | 1169   | 1.59  | 1.5    | 8679  | 953          | 1.95  | 1.7          | 7695  | 845    | 2.2   | 3.1   | 4062  | 446          | 4.2   | 4.7          | 2741  | 301   | 6.2   | 0.86  | 14744 | 1619         | 0.77  | 1.0   | 12758 | 1401  | 0.88  | 1.1          | 11201 | 1230  | 1.01  | 1.3   | 9881  | 1085         | 1.14  | 1.5   | 8533  | 937   | 1.32  | 1.7          | 7531  | 827   | 1.50  | 1.9   | 6675  | 733          | 1.69  | 2.2   | 5828  | 640   | 1.94  | 1.5          | 8651  | 950   | 0.83  | 1.7   | 7595  | 834          | 0.95  | 1.9   | 6702  | 736   | 1.08  | 2.2          | 5710  | 627   | 1.26  |       |       |              |       |       |       |       |       |              |       |       |       |       |       |              |       |       |       |       |       |              |       |       |       |       |       |              |       |       |       |       |       |              |       |       |       |       |       |              |       |       |       |       |       |              |       |       |       |       |       |              |       |       |       |       |       |              |       |       |       |       |       |              |       |       |       |       |       |              |       |       |       |       |       |              |       |      |       |      |       |              |       |      |       |      |       |              |       |      |       |      |       |              |       |      |       |              |       |              |       |      |       |              |       |              |       |              |       |              |       |              |       |              |       |      |       |      |       |      |       |      |       |      |       |      |       |      |       |      |       |      |       |      |       |      |       |      |       |      |       |      |       |      |       |      |       |      |       |      |       |      |      |      |       |      |       |      |       |      |       |      |       |      |       |      |       |      |       |      |      |      |      |      |      |     |      |     |      |     |      |     |      |     |      |     |      |     |      |     |      |     |      |     |      |     |      |
| 19            | 529        | 75.02    | 2.7                    | 12           | 853     |               |            | 120.79       | 0.9                    | 13           | 769     | 109.04       | 1.0   | F 67         | 4    | 15           | 677   | 95.94        | 1.1  |              |       | 15           | 639  | 90.59        | 1.2   |              |      | 18           | 550   | 77.97        | 1.4  |              |       | 21           | 466  | 66.13        | 1.7   |              |      | 23           | 421   | 59.70        | 1.8  |              |       | 27           | 371  | 52.53        | 2.1   | 28           | 350  |              |       | 49.60        | 2.2  | 33           | 298   | 42.23        | 2.6  |              |       | 36           | 271  | 38.38        | 2.7   | 42           | 234  |              |       | 33.24        | 3.0  | 25           | 396   |              |      | 56.09        | 0.95  | 29           | 336  |              |       | 47.66        | 1.12 | 33           | 300   |              |      | 42.55        | 1.25  | 39           | 256  |              |       | 36.34        | 1.47 | 41           | 240   | 34.04        | 1.57 | 49           | 202   | 28.67        | 1.86 | 46           | 216   | 30.64        | 1.74 | 48           | 205   | 29.11        | 1.83 | 55     | 180   | 25.54        | 2.1  | 65     | 153   | 21.66  | 2.5  | 72           | 138   | 19.56  | 2.7  | 44     | 224   | 31.69        | 0.84  | 50     | 198   | 28.09 | 0.95  | 59           | 168   | 23.88  | 1.12  | 68     | 145   | 20.57        | 1.30  | 73     | 136   | 19.27  | 1.38  | 82           | 120   | 17.03  | 1.57  | 98     | 101   | 14.33        | 1.86  | 109    | 91    | 12.87  | 2.1   | 126          | 78    | 11.08  | 2.3   | 134    | 73    | 10.42        | 2.4   | 156    | 63    | 8.97   | 2.6   | 175          | 56    | 8.01   | 2.8   | 206    | 48    | 6.81         | 2.7   | 229    | 43    | 6.11   | 2.9   | 266          | 37    | 5.27   | 3.2   | 283    | 35    | 4.95         | 3.2   | 329    | 30    | 4.26         | 3.4   | 367          | 27    | 3.81   | 3.7   | <b>1.5kW</b> |       |        |       |        |       | <b>1.5kW</b> |       |        |       |       |       | 0.58         | 22102 | 2427   | 0.77  | 0.64   | 19898 | 2185         | 0.85  | 0.72   | 17703 | 1944  | 0.96  | 0.84         | 15244 | 1674  | 1.11  | 1.1    | 11911 | 1308         | 1.42  | 1.2    | 10646 | 1169  | 1.59  | 1.5          | 8679  | 953          | 1.95  | 1.7    | 7695  | 845    | 2.2   | 3.1          | 4062  | 446          | 4.2   | 4.7    | 2741  | 301   | 6.2   | 0.86         | 14744 | 1619         | 0.77  | 1.0   | 12758 | 1401  | 0.88  | 1.1          | 11201 | 1230  | 1.01  | 1.3   | 9881  | 1085         | 1.14  | 1.5   | 8533  | 937   | 1.32  | 1.7          | 7531  | 827   | 1.50  | 1.9   | 6675  | 733          | 1.69  | 2.2   | 5828  | 640   | 1.94  | 1.5          | 8651  | 950   | 0.83  | 1.7   | 7595  | 834          | 0.95  | 1.9   | 6702  | 736   | 1.08  | 2.2          | 5710  | 627   | 1.26  |       |       |              |       |       |       |       |       |              |       |       |       |       |       |              |       |       |       |       |       |              |       |       |       |       |       |              |       |       |       |       |       |              |       |       |       |       |       |              |       |       |       |       |       |              |       |       |       |       |       |              |       |       |       |       |       |              |       |       |       |       |       |              |       |       |       |       |       |              |       |       |       |       |       |              |       |       |       |       |       |              |       |      |       |      |       |              |       |      |       |      |       |              |       |      |       |      |       |              |       |      |       |              |       |              |       |      |       |              |       |              |       |              |       |              |       |              |       |              |       |      |       |      |       |      |       |      |       |      |       |      |       |      |       |      |       |      |       |      |       |      |       |      |       |      |       |      |       |      |       |      |       |      |       |      |       |      |      |      |       |      |       |      |       |      |       |      |       |      |       |      |       |      |       |      |      |      |      |      |      |     |      |     |      |     |      |     |      |     |      |     |      |     |      |     |      |     |      |     |      |     |      |
| 12            | 853        | 120.79   | 0.9                    | 13           | 769     | 109.04        | 1.0        | F 67         | 4                      | 15           | 677     | 95.94        | 1.1   |              |      | 15           | 639   | 90.59        | 1.2  |              |       | 18           | 550  | 77.97        | 1.4   |              |      | 21           | 466   | 66.13        | 1.7  |              |       | 23           | 421  | 59.70        | 1.8   |              |      | 27           | 371   | 52.53        | 2.1  |              |       | 28           | 350  | 49.60        | 2.2   | 33           | 298  |              |       | 42.23        | 2.6  | 36           | 271   | 38.38        | 2.7  |              |       | 42           | 234  | 33.24        | 3.0   | 25           | 396  |              |       | 56.09        | 0.95 | 29           | 336   |              |      | 47.66        | 1.12  | 33           | 300  |              |       | 42.55        | 1.25 | 39           | 256   |              |      | 36.34        | 1.47  | 41           | 240  | 34.04        | 1.57  | 49           | 202  | 28.67        | 1.86  | 46           | 216  | 30.64        | 1.74  | 48           | 205  | 29.11        | 1.83  | 55           | 180  | 25.54        | 2.1   | 65           | 153  | 21.66  | 2.5   | 72           | 138  | 19.56  | 2.7   | 44     | 224  | 31.69        | 0.84  | 50     | 198  | 28.09  | 0.95  | 59           | 168   | 23.88  | 1.12  | 68    | 145   | 20.57        | 1.30  | 73     | 136   | 19.27  | 1.38  | 82           | 120   | 17.03  | 1.57  | 98     | 101   | 14.33        | 1.86  | 109    | 91    | 12.87  | 2.1   | 126          | 78    | 11.08  | 2.3   | 134    | 73    | 10.42        | 2.4   | 156    | 63    | 8.97   | 2.6   | 175          | 56    | 8.01   | 2.8   | 206    | 48    | 6.81         | 2.7   | 229    | 43    | 6.11   | 2.9   | 266          | 37    | 5.27   | 3.2   | 283    | 35    | 4.95         | 3.2   | 329    | 30    | 4.26   | 3.4   | 367          | 27    | 3.81   | 3.7   | <b>1.5kW</b> |       |              |       |        |       | <b>1.5kW</b> |       |        |       |        |       | 0.58         | 22102 | 2427   | 0.77  | 0.64  | 19898 | 2185         | 0.85  | 0.72   | 17703 | 1944   | 0.96  | 0.84         | 15244 | 1674   | 1.11  | 1.1   | 11911 | 1308         | 1.42  | 1.2   | 10646 | 1169   | 1.59  | 1.5          | 8679  | 953    | 1.95  | 1.7   | 7695  | 845          | 2.2   | 3.1          | 4062  | 446    | 4.2   | 4.7    | 2741  | 301          | 6.2   | 0.86         | 14744 | 1619   | 0.77  | 1.0   | 12758 | 1401         | 0.88  | 1.1          | 11201 | 1230  | 1.01  | 1.3   | 9881  | 1085         | 1.14  | 1.5   | 8533  | 937   | 1.32  | 1.7          | 7531  | 827   | 1.50  | 1.9   | 6675  | 733          | 1.69  | 2.2   | 5828  | 640   | 1.94  | 1.5          | 8651  | 950   | 0.83  | 1.7   | 7595  | 834          | 0.95  | 1.9   | 6702  | 736   | 1.08  | 2.2          | 5710  | 627   | 1.26  |       |       |              |       |       |       |       |       |              |       |       |       |       |       |              |       |       |       |       |       |              |       |       |       |       |       |              |       |       |       |       |       |              |       |       |       |       |       |              |       |       |       |       |       |              |       |       |       |       |       |              |       |       |       |       |       |              |       |       |       |       |       |              |       |       |       |       |       |              |       |       |       |       |       |              |       |       |       |       |       |              |       |       |       |       |       |              |       |      |       |      |       |              |       |      |       |      |       |              |       |      |       |      |       |              |       |      |       |              |       |              |       |      |       |              |       |              |       |              |       |              |       |              |       |              |       |      |       |      |       |      |       |      |       |      |       |      |       |      |       |      |       |      |       |      |       |      |       |      |       |      |       |      |       |      |       |      |       |      |       |      |       |      |      |      |       |      |       |      |       |      |       |      |       |      |       |      |       |      |       |      |      |      |      |      |      |     |      |     |      |     |      |     |      |     |      |     |      |     |      |     |      |     |      |     |      |     |      |
| 13            | 769        | 109.04   | 1.0                    | F 67         | 4       | 15            | 677        |              |                        | 95.94        | 1.1     | 15           | 639   |              |      | 90.59        | 1.2   | 18           | 550  |              |       | 77.97        | 1.4  | 21           | 466   |              |      | 66.13        | 1.7   | 23           | 421  |              |       | 59.70        | 1.8  | 27           | 371   |              |      | 52.53        | 2.1   | 28           | 350  |              |       | 49.60        | 2.2  | 33           | 298   | 42.23        | 2.6  |              |       | 36           | 271  | 38.38        | 2.7   | 42           | 234  |              |       | 33.24        | 3.0  | 25           | 396   | 56.09        | 0.95 |              |       | 29           | 336  | 47.66        | 1.12  |              |      | 33           | 300   | 42.55        | 1.25 |              |       | 39           | 256  | 36.34        | 1.47  | 41           | 240  | 34.04        | 1.57  | 49           | 202  | 28.67        | 1.86  | 46           | 216  | 30.64        | 1.74  | 48           | 205  | 29.11        | 1.83  | 55           | 180  | 25.54        | 2.1   | 65           | 153  | 21.66        | 2.5   | 72           | 138  | 19.56  | 2.7   | 44           | 224  | 31.69  | 0.84  | 50     | 198  | 28.09        | 0.95  | 59     | 168  | 23.88  | 1.12  | 68           | 145   | 20.57  | 1.30  | 73    | 136   | 19.27        | 1.38  | 82     | 120   | 17.03  | 1.57  | 98           | 101   | 14.33  | 1.86  | 109    | 91    | 12.87        | 2.1   | 126    | 78    | 11.08  | 2.3   | 134          | 73    | 10.42  | 2.4   | 156    | 63    | 8.97         | 2.6   | 175    | 56    | 8.01   | 2.8   | 206          | 48    | 6.81   | 2.7   | 229    | 43    | 6.11         | 2.9   | 266    | 37    | 5.27   | 3.2   | 283          | 35    | 4.95   | 3.2   | 329    | 30    | 4.26         | 3.4   | 367    | 27    | 3.81   | 3.7   | <b>1.5kW</b> |       |        |       |              |       | <b>1.5kW</b> |       |        |       |              |       | 0.58   | 22102 | 2427   | 0.77  | 0.64         | 19898 | 2185   | 0.85  | 0.72  | 17703 | 1944         | 0.96  | 0.84   | 15244 | 1674   | 1.11  | 1.1          | 11911 | 1308   | 1.42  | 1.2   | 10646 | 1169         | 1.59  | 1.5   | 8679  | 953    | 1.95  | 1.7          | 7695  | 845    | 2.2   | 3.1   | 4062  | 446          | 4.2   | 4.7          | 2741  | 301    | 6.2   | 0.86   | 14744 | 1619         | 0.77  | 1.0          | 12758 | 1401   | 0.88  | 1.1   | 11201 | 1230         | 1.01  | 1.3          | 9881  | 1085  | 1.14  | 1.5   | 8533  | 937          | 1.32  | 1.7   | 7531  | 827   | 1.50  | 1.9          | 6675  | 733   | 1.69  | 2.2   | 5828  | 640          | 1.94  | 1.5   | 8651  | 950   | 0.83  | 1.7          | 7595  | 834   | 0.95  | 1.9   | 6702  | 736          | 1.08  | 2.2   | 5710  | 627   | 1.26  |              |       |       |       |       |       |              |       |       |       |       |       |              |       |       |       |       |       |              |       |       |       |       |       |              |       |       |       |       |       |              |       |       |       |       |       |              |       |       |       |       |       |              |       |       |       |       |       |              |       |       |       |       |       |              |       |       |       |       |       |              |       |       |       |       |       |              |       |       |       |       |       |              |       |       |       |       |       |              |       |       |       |       |       |              |       |       |       |       |       |              |       |      |       |      |       |              |       |      |       |      |       |              |       |      |       |      |       |              |       |      |       |              |       |              |       |      |       |              |       |              |       |              |       |              |       |              |       |              |       |      |       |      |       |      |       |      |       |      |       |      |       |      |       |      |       |      |       |      |       |      |       |      |       |      |       |      |       |      |       |      |       |      |       |      |       |      |      |      |       |      |       |      |       |      |       |      |       |      |       |      |       |      |       |      |      |      |      |      |      |     |      |     |      |     |      |     |      |     |      |     |      |     |      |     |      |     |      |     |      |     |      |
| 15            | 677        | 95.94    | 1.1                    |              |         | 15            | 639        |              |                        | 90.59        | 1.2     | 18           | 550   |              |      | 77.97        | 1.4   | 21           | 466  |              |       | 66.13        | 1.7  | 23           | 421   |              |      | 59.70        | 1.8   | 27           | 371  |              |       | 52.53        | 2.1  | 28           | 350   |              |      | 49.60        | 2.2   | 33           | 298  |              |       | 42.23        | 2.6  | 36           | 271   | 38.38        | 2.7  |              |       | 42           | 234  | 33.24        | 3.0   | 25           | 396  |              |       | 56.09        | 0.95 | 29           | 336   | 47.66        | 1.12 |              |       | 33           | 300  | 42.55        | 1.25  |              |      | 39           | 256   | 36.34        | 1.47 | 41           | 240   | 34.04        | 1.57 | 49           | 202   | 28.67        | 1.86 | 46           | 216   | 30.64        | 1.74 | 48           | 205   | 29.11        | 1.83 | 55           | 180   | 25.54        | 2.1  | 65           | 153   | 21.66        | 2.5  | 72           | 138   | 19.56        | 2.7  | 44           | 224   | 31.69        | 0.84 | 50     | 198   | 28.09        | 0.95 | 59     | 168   | 23.88  | 1.12 | 68           | 145   | 20.57  | 1.30 | 73     | 136   | 19.27        | 1.38  | 82     | 120   | 17.03 | 1.57  | 98           | 101   | 14.33  | 1.86  | 109    | 91    | 12.87        | 2.1   | 126    | 78    | 11.08  | 2.3   | 134          | 73    | 10.42  | 2.4   | 156    | 63    | 8.97         | 2.6   | 175    | 56    | 8.01   | 2.8   | 206          | 48    | 6.81   | 2.7   | 229    | 43    | 6.11         | 2.9   | 266    | 37    | 5.27   | 3.2   | 283          | 35    | 4.95   | 3.2   | 329    | 30    | 4.26         | 3.4   | 367    | 27    | 3.81   | 3.7   | <b>1.5kW</b> |       |        |       |        |       | <b>1.5kW</b> |       |        |       |              |       | 0.58         | 22102 | 2427   | 0.77  | 0.64         | 19898 | 2185   | 0.85  | 0.72   | 17703 | 1944         | 0.96  | 0.84   | 15244 | 1674  | 1.11  | 1.1          | 11911 | 1308   | 1.42  | 1.2    | 10646 | 1169         | 1.59  | 1.5    | 8679  | 953   | 1.95  | 1.7          | 7695  | 845   | 2.2   | 3.1    | 4062  | 446          | 4.2   | 4.7    | 2741  | 301   | 6.2   | 0.86         | 14744 | 1619         | 0.77  | 1.0    | 12758 | 1401   | 0.88  | 1.1          | 11201 | 1230         | 1.01  | 1.3    | 9881  | 1085  | 1.14  | 1.5          | 8533  | 937          | 1.32  | 1.7   | 7531  | 827   | 1.50  | 1.9          | 6675  | 733   | 1.69  | 2.2   | 5828  | 640          | 1.94  | 1.5   | 8651  | 950   | 0.83  | 1.7          | 7595  | 834   | 0.95  | 1.9   | 6702  | 736          | 1.08  | 2.2   | 5710  | 627   | 1.26  |              |       |       |       |       |       |              |       |       |       |       |       |              |       |       |       |       |       |              |       |       |       |       |       |              |       |       |       |       |       |              |       |       |       |       |       |              |       |       |       |       |       |              |       |       |       |       |       |              |       |       |       |       |       |              |       |       |       |       |       |              |       |       |       |       |       |              |       |       |       |       |       |              |       |       |       |       |       |              |       |       |       |       |       |              |       |       |       |       |       |              |       |       |       |       |       |              |       |      |       |      |       |              |       |      |       |      |       |              |       |      |       |      |       |              |       |      |       |              |       |              |       |      |       |              |       |              |       |              |       |              |       |              |       |              |       |      |       |      |       |      |       |      |       |      |       |      |       |      |       |      |       |      |       |      |       |      |       |      |       |      |       |      |       |      |       |      |       |      |       |      |       |      |      |      |       |      |       |      |       |      |       |      |       |      |       |      |       |      |       |      |      |      |      |      |      |     |      |     |      |     |      |     |      |     |      |     |      |     |      |     |      |     |      |     |      |     |      |
| 15            | 639        | 90.59    | 1.2                    |              |         | 18            | 550        |              |                        | 77.97        | 1.4     | 21           | 466   |              |      | 66.13        | 1.7   | 23           | 421  |              |       | 59.70        | 1.8  | 27           | 371   |              |      | 52.53        | 2.1   | 28           | 350  |              |       | 49.60        | 2.2  | 33           | 298   |              |      | 42.23        | 2.6   | 36           | 271  |              |       | 38.38        | 2.7  | 42           | 234   | 33.24        | 3.0  |              |       | 25           | 396  | 56.09        | 0.95  | 29           | 336  |              |       | 47.66        | 1.12 | 33           | 300   | 42.55        | 1.25 |              |       | 39           | 256  | 36.34        | 1.47  | 41           | 240  | 34.04        | 1.57  | 49           | 202  | 28.67        | 1.86  | 46           | 216  | 30.64        | 1.74  | 48           | 205  | 29.11        | 1.83  | 55           | 180  | 25.54        | 2.1   | 65           | 153  | 21.66        | 2.5   | 72           | 138  | 19.56        | 2.7   | 44           | 224  | 31.69        | 0.84  | 50           | 198  | 28.09        | 0.95  | 59           | 168  | 23.88  | 1.12  | 68           | 145  | 20.57  | 1.30  | 73     | 136  | 19.27        | 1.38  | 82     | 120  | 17.03  | 1.57  | 98           | 101   | 14.33  | 1.86  | 109   | 91    | 12.87        | 2.1   | 126    | 78    | 11.08  | 2.3   | 134          | 73    | 10.42  | 2.4   | 156    | 63    | 8.97         | 2.6   | 175    | 56    | 8.01   | 2.8   | 206          | 48    | 6.81   | 2.7   | 229    | 43    | 6.11         | 2.9   | 266    | 37    | 5.27   | 3.2   | 283          | 35    | 4.95   | 3.2   | 329    | 30    | 4.26         | 3.4   | 367    | 27    | 3.81   | 3.7   | <b>1.5kW</b> |       |        |       |        |       | <b>1.5kW</b> |       |        |       |        |       | 0.58         | 22102 | 2427   | 0.77  | 0.64         | 19898 | 2185         | 0.85  | 0.72   | 17703 | 1944         | 0.96  | 0.84   | 15244 | 1674   | 1.11  | 1.1          | 11911 | 1308   | 1.42  | 1.2   | 10646 | 1169         | 1.59  | 1.5    | 8679  | 953    | 1.95  | 1.7          | 7695  | 845    | 2.2   | 3.1   | 4062  | 446          | 4.2   | 4.7   | 2741  | 301    | 6.2   | 0.86         | 14744 | 1619   | 0.77  | 1.0   | 12758 | 1401         | 0.88  | 1.1          | 11201 | 1230   | 1.01  | 1.3    | 9881  | 1085         | 1.14  | 1.5          | 8533  | 937    | 1.32  | 1.7   | 7531  | 827          | 1.50  | 1.9          | 6675  | 733   | 1.69  | 2.2   | 5828  | 640          | 1.94  | 1.5   | 8651  | 950   | 0.83  | 1.7          | 7595  | 834   | 0.95  | 1.9   | 6702  | 736          | 1.08  | 2.2   | 5710  | 627   | 1.26  |              |       |       |       |       |       |              |       |       |       |       |       |              |       |       |       |       |       |              |       |       |       |       |       |              |       |       |       |       |       |              |       |       |       |       |       |              |       |       |       |       |       |              |       |       |       |       |       |              |       |       |       |       |       |              |       |       |       |       |       |              |       |       |       |       |       |              |       |       |       |       |       |              |       |       |       |       |       |              |       |       |       |       |       |              |       |       |       |       |       |              |       |       |       |       |       |              |       |       |       |       |       |              |       |      |       |      |       |              |       |      |       |      |       |              |       |      |       |      |       |              |       |      |       |              |       |              |       |      |       |              |       |              |       |              |       |              |       |              |       |              |       |      |       |      |       |      |       |      |       |      |       |      |       |      |       |      |       |      |       |      |       |      |       |      |       |      |       |      |       |      |       |      |       |      |       |      |       |      |      |      |       |      |       |      |       |      |       |      |       |      |       |      |       |      |       |      |      |      |      |      |      |     |      |     |      |     |      |     |      |     |      |     |      |     |      |     |      |     |      |     |      |     |      |
| 18            | 550        | 77.97    | 1.4                    |              |         | 21            | 466        |              |                        | 66.13        | 1.7     | 23           | 421   |              |      | 59.70        | 1.8   | 27           | 371  |              |       | 52.53        | 2.1  | 28           | 350   |              |      | 49.60        | 2.2   | 33           | 298  |              |       | 42.23        | 2.6  | 36           | 271   |              |      | 38.38        | 2.7   | 42           | 234  |              |       | 33.24        | 3.0  | 25           | 396   | 56.09        | 0.95 |              |       | 29           | 336  | 47.66        | 1.12  | 33           | 300  |              |       | 42.55        | 1.25 | 39           | 256   | 36.34        | 1.47 | 41           | 240   | 34.04        | 1.57 | 49           | 202   | 28.67        | 1.86 | 46           | 216   | 30.64        | 1.74 | 48           | 205   | 29.11        | 1.83 | 55           | 180   | 25.54        | 2.1  | 65           | 153   | 21.66        | 2.5  | 72           | 138   | 19.56        | 2.7  | 44           | 224   | 31.69        | 0.84 | 50           | 198   | 28.09        | 0.95 | 59           | 168   | 23.88        | 1.12 | 68           | 145   | 20.57        | 1.30 | 73     | 136   | 19.27        | 1.38 | 82     | 120   | 17.03  | 1.57 | 98           | 101   | 14.33  | 1.86 | 109    | 91    | 12.87        | 2.1   | 126    | 78    | 11.08 | 2.3   | 134          | 73    | 10.42  | 2.4   | 156    | 63    | 8.97         | 2.6   | 175    | 56    | 8.01   | 2.8   | 206          | 48    | 6.81   | 2.7   | 229    | 43    | 6.11         | 2.9   | 266    | 37    | 5.27   | 3.2   | 283          | 35    | 4.95   | 3.2   | 329    | 30    | 4.26         | 3.4   | 367    | 27    | 3.81   | 3.7   | <b>1.5kW</b> |       |        |       |        |       | <b>1.5kW</b> |       |        |       |        |       | 0.58         | 22102 | 2427   | 0.77  | 0.64   | 19898 | 2185         | 0.85  | 0.72   | 17703 | 1944         | 0.96  | 0.84         | 15244 | 1674   | 1.11  | 1.1          | 11911 | 1308   | 1.42  | 1.2    | 10646 | 1169         | 1.59  | 1.5    | 8679  | 953   | 1.95  | 1.7          | 7695  | 845    | 2.2   | 3.1    | 4062  | 446          | 4.2   | 4.7    | 2741  | 301   | 6.2   | 0.86         | 14744 | 1619  | 0.77  | 1.0    | 12758 | 1401         | 0.88  | 1.1    | 11201 | 1230  | 1.01  | 1.3          | 9881  | 1085         | 1.14  | 1.5    | 8533  | 937    | 1.32  | 1.7          | 7531  | 827          | 1.50  | 1.9    | 6675  | 733   | 1.69  | 2.2          | 5828  | 640          | 1.94  | 1.5   | 8651  | 950   | 0.83  | 1.7          | 7595  | 834   | 0.95  | 1.9   | 6702  | 736          | 1.08  | 2.2   | 5710  | 627   | 1.26  |              |       |       |       |       |       |              |       |       |       |       |       |              |       |       |       |       |       |              |       |       |       |       |       |              |       |       |       |       |       |              |       |       |       |       |       |              |       |       |       |       |       |              |       |       |       |       |       |              |       |       |       |       |       |              |       |       |       |       |       |              |       |       |       |       |       |              |       |       |       |       |       |              |       |       |       |       |       |              |       |       |       |       |       |              |       |       |       |       |       |              |       |       |       |       |       |              |       |       |       |       |       |              |       |       |       |       |       |              |       |      |       |      |       |              |       |      |       |      |       |              |       |      |       |      |       |              |       |      |       |              |       |              |       |      |       |              |       |              |       |              |       |              |       |              |       |              |       |      |       |      |       |      |       |      |       |      |       |      |       |      |       |      |       |      |       |      |       |      |       |      |       |      |       |      |       |      |       |      |       |      |       |      |       |      |      |      |       |      |       |      |       |      |       |      |       |      |       |      |       |      |       |      |      |      |      |      |      |     |      |     |      |     |      |     |      |     |      |     |      |     |      |     |      |     |      |     |      |     |      |
| 21            | 466        | 66.13    | 1.7                    |              |         | 23            | 421        |              |                        | 59.70        | 1.8     | 27           | 371   |              |      | 52.53        | 2.1   | 28           | 350  |              |       | 49.60        | 2.2  | 33           | 298   |              |      | 42.23        | 2.6   | 36           | 271  |              |       | 38.38        | 2.7  | 42           | 234   |              |      | 33.24        | 3.0   | 25           | 396  |              |       | 56.09        | 0.95 | 29           | 336   | 47.66        | 1.12 |              |       | 33           | 300  | 42.55        | 1.25  | 39           | 256  | 36.34        | 1.47  | 41           | 240  | 34.04        | 1.57  | 49           | 202  | 28.67        | 1.86  | 46           | 216  | 30.64        | 1.74  | 48           | 205  | 29.11        | 1.83  | 55           | 180  | 25.54        | 2.1   | 65           | 153  | 21.66        | 2.5   | 72           | 138  | 19.56        | 2.7   | 44           | 224  | 31.69        | 0.84  | 50           | 198  | 28.09        | 0.95  | 59           | 168  | 23.88        | 1.12  | 68           | 145  | 20.57        | 1.30  | 73           | 136  | 19.27        | 1.38  | 82           | 120  | 17.03  | 1.57  | 98           | 101  | 14.33  | 1.86  | 109    | 91   | 12.87        | 2.1   | 126    | 78   | 11.08  | 2.3   | 134          | 73    | 10.42  | 2.4   | 156   | 63    | 8.97         | 2.6   | 175    | 56    | 8.01   | 2.8   | 206          | 48    | 6.81   | 2.7   | 229    | 43    | 6.11         | 2.9   | 266    | 37    | 5.27   | 3.2   | 283          | 35    | 4.95   | 3.2   | 329    | 30    | 4.26         | 3.4   | 367    | 27    | 3.81   | 3.7   | <b>1.5kW</b> |       |        |       |        |       | <b>1.5kW</b> |       |        |       |        |       | 0.58         | 22102 | 2427   | 0.77  | 0.64   | 19898 | 2185         | 0.85  | 0.72   | 17703 | 1944   | 0.96  | 0.84         | 15244 | 1674   | 1.11  | 1.1          | 11911 | 1308         | 1.42  | 1.2    | 10646 | 1169         | 1.59  | 1.5    | 8679  | 953    | 1.95  | 1.7          | 7695  | 845    | 2.2   | 3.1   | 4062  | 446          | 4.2   | 4.7    | 2741  | 301    | 6.2   | 0.86         | 14744 | 1619   | 0.77  | 1.0   | 12758 | 1401         | 0.88  | 1.1   | 11201 | 1230   | 1.01  | 1.3          | 9881  | 1085   | 1.14  | 1.5   | 8533  | 937          | 1.32  | 1.7          | 7531  | 827    | 1.50  | 1.9    | 6675  | 733          | 1.69  | 2.2          | 5828  | 640    | 1.94  | 1.5   | 8651  | 950          | 0.83  | 1.7          | 7595  | 834   | 0.95  | 1.9   | 6702  | 736          | 1.08  | 2.2   | 5710  | 627   | 1.26  |              |       |       |       |       |       |              |       |       |       |       |       |              |       |       |       |       |       |              |       |       |       |       |       |              |       |       |       |       |       |              |       |       |       |       |       |              |       |       |       |       |       |              |       |       |       |       |       |              |       |       |       |       |       |              |       |       |       |       |       |              |       |       |       |       |       |              |       |       |       |       |       |              |       |       |       |       |       |              |       |       |       |       |       |              |       |       |       |       |       |              |       |       |       |       |       |              |       |       |       |       |       |              |       |       |       |       |       |              |       |       |       |       |       |              |       |      |       |      |       |              |       |      |       |      |       |              |       |      |       |      |       |              |       |      |       |              |       |              |       |      |       |              |       |              |       |              |       |              |       |              |       |              |       |      |       |      |       |      |       |      |       |      |       |      |       |      |       |      |       |      |       |      |       |      |       |      |       |      |       |      |       |      |       |      |       |      |       |      |       |      |      |      |       |      |       |      |       |      |       |      |       |      |       |      |       |      |       |      |      |      |      |      |      |     |      |     |      |     |      |     |      |     |      |     |      |     |      |     |      |     |      |     |      |     |      |
| 23            | 421        | 59.70    | 1.8                    |              |         | 27            | 371        |              |                        | 52.53        | 2.1     | 28           | 350   |              |      | 49.60        | 2.2   | 33           | 298  |              |       | 42.23        | 2.6  | 36           | 271   |              |      | 38.38        | 2.7   | 42           | 234  |              |       | 33.24        | 3.0  | 25           | 396   |              |      | 56.09        | 0.95  | 29           | 336  |              |       | 47.66        | 1.12 | 33           | 300   | 42.55        | 1.25 | 39           | 256   | 36.34        | 1.47 | 41           | 240   | 34.04        | 1.57 | 49           | 202   | 28.67        | 1.86 | 46           | 216   | 30.64        | 1.74 | 48           | 205   | 29.11        | 1.83 | 55           | 180   | 25.54        | 2.1  | 65           | 153   | 21.66        | 2.5  | 72           | 138   | 19.56        | 2.7  | 44           | 224   | 31.69        | 0.84 | 50           | 198   | 28.09        | 0.95 | 59           | 168   | 23.88        | 1.12 | 68           | 145   | 20.57        | 1.30 | 73           | 136   | 19.27        | 1.38 | 82           | 120   | 17.03        | 1.57 | 98           | 101   | 14.33        | 1.86 | 109    | 91    | 12.87        | 2.1  | 126    | 78    | 11.08  | 2.3  | 134          | 73    | 10.42  | 2.4  | 156    | 63    | 8.97         | 2.6   | 175    | 56    | 8.01  | 2.8   | 206          | 48    | 6.81   | 2.7   | 229    | 43    | 6.11         | 2.9   | 266    | 37    | 5.27   | 3.2   | 283          | 35    | 4.95   | 3.2   | 329    | 30    | 4.26         | 3.4   | 367    | 27    | 3.81   | 3.7   | <b>1.5kW</b> |       |        |       |        |       | <b>1.5kW</b> |       |        |       |        |       | 0.58         | 22102 | 2427   | 0.77  | 0.64   | 19898 | 2185         | 0.85  | 0.72   | 17703 | 1944   | 0.96  | 0.84         | 15244 | 1674   | 1.11  | 1.1    | 11911 | 1308         | 1.42  | 1.2    | 10646 | 1169         | 1.59  | 1.5          | 8679  | 953    | 1.95  | 1.7          | 7695  | 845    | 2.2   | 3.1    | 4062  | 446          | 4.2   | 4.7    | 2741  | 301   | 6.2   | 0.86         | 14744 | 1619   | 0.77  | 1.0    | 12758 | 1401         | 0.88  | 1.1    | 11201 | 1230  | 1.01  | 1.3          | 9881  | 1085  | 1.14  | 1.5    | 8533  | 937          | 1.32  | 1.7    | 7531  | 827   | 1.50  | 1.9          | 6675  | 733          | 1.69  | 2.2    | 5828  | 640    | 1.94  | 1.5          | 8651  | 950          | 0.83  | 1.7    | 7595  | 834   | 0.95  | 1.9          | 6702  | 736          | 1.08  | 2.2   | 5710  | 627   | 1.26  |              |       |       |       |       |       |              |       |       |       |       |       |              |       |       |       |       |       |              |       |       |       |       |       |              |       |       |       |       |       |              |       |       |       |       |       |              |       |       |       |       |       |              |       |       |       |       |       |              |       |       |       |       |       |              |       |       |       |       |       |              |       |       |       |       |       |              |       |       |       |       |       |              |       |       |       |       |       |              |       |       |       |       |       |              |       |       |       |       |       |              |       |       |       |       |       |              |       |       |       |       |       |              |       |       |       |       |       |              |       |       |       |       |       |              |       |       |       |       |       |              |       |      |       |      |       |              |       |      |       |      |       |              |       |      |       |      |       |              |       |      |       |              |       |              |       |      |       |              |       |              |       |              |       |              |       |              |       |              |       |      |       |      |       |      |       |      |       |      |       |      |       |      |       |      |       |      |       |      |       |      |       |      |       |      |       |      |       |      |       |      |       |      |       |      |       |      |      |      |       |      |       |      |       |      |       |      |       |      |       |      |       |      |       |      |      |      |      |      |      |     |      |     |      |     |      |     |      |     |      |     |      |     |      |     |      |     |      |     |      |     |      |
| 27            | 371        | 52.53    | 2.1                    |              |         | 28            | 350        |              |                        | 49.60        | 2.2     | 33           | 298   |              |      | 42.23        | 2.6   | 36           | 271  |              |       | 38.38        | 2.7  | 42           | 234   |              |      | 33.24        | 3.0   | 25           | 396  |              |       | 56.09        | 0.95 | 29           | 336   |              |      | 47.66        | 1.12  | 33           | 300  | 42.55        | 1.25  | 39           | 256  | 36.34        | 1.47  | 41           | 240  | 34.04        | 1.57  | 49           | 202  | 28.67        | 1.86  | 46           | 216  | 30.64        | 1.74  | 48           | 205  | 29.11        | 1.83  | 55           | 180  | 25.54        | 2.1   | 65           | 153  | 21.66        | 2.5   | 72           | 138  | 19.56        | 2.7   | 44           | 224  | 31.69        | 0.84  | 50           | 198  | 28.09        | 0.95  | 59           | 168  | 23.88        | 1.12  | 68           | 145  | 20.57        | 1.30  | 73           | 136  | 19.27        | 1.38  | 82           | 120  | 17.03        | 1.57  | 98           | 101  | 14.33        | 1.86  | 109          | 91   | 12.87        | 2.1   | 126          | 78   | 11.08  | 2.3   | 134          | 73   | 10.42  | 2.4   | 156    | 63   | 8.97         | 2.6   | 175    | 56   | 8.01   | 2.8   | 206          | 48    | 6.81   | 2.7   | 229   | 43    | 6.11         | 2.9   | 266    | 37    | 5.27   | 3.2   | 283          | 35    | 4.95   | 3.2   | 329    | 30    | 4.26         | 3.4   | 367    | 27    | 3.81   | 3.7   | <b>1.5kW</b> |       |        |       |        |       | <b>1.5kW</b> |       |        |       |        |       | 0.58         | 22102 | 2427   | 0.77  | 0.64   | 19898 | 2185         | 0.85  | 0.72   | 17703 | 1944   | 0.96  | 0.84         | 15244 | 1674   | 1.11  | 1.1    | 11911 | 1308         | 1.42  | 1.2    | 10646 | 1169   | 1.59  | 1.5          | 8679  | 953    | 1.95  | 1.7          | 7695  | 845          | 2.2   | 3.1    | 4062  | 446          | 4.2   | 4.7    | 2741  | 301    | 6.2   | 0.86         | 14744 | 1619   | 0.77  | 1.0   | 12758 | 1401         | 0.88  | 1.1    | 11201 | 1230   | 1.01  | 1.3          | 9881  | 1085   | 1.14  | 1.5   | 8533  | 937          | 1.32  | 1.7   | 7531  | 827    | 1.50  | 1.9          | 6675  | 733    | 1.69  | 2.2   | 5828  | 640          | 1.94  | 1.5          | 8651  | 950    | 0.83  | 1.7    | 7595  | 834          | 0.95  | 1.9          | 6702  | 736    | 1.08  | 2.2   | 5710  | 627          | 1.26  |              |       |       |       |       |       |              |       |       |       |       |       |              |       |       |       |       |       |              |       |       |       |       |       |              |       |       |       |       |       |              |       |       |       |       |       |              |       |       |       |       |       |              |       |       |       |       |       |              |       |       |       |       |       |              |       |       |       |       |       |              |       |       |       |       |       |              |       |       |       |       |       |              |       |       |       |       |       |              |       |       |       |       |       |              |       |       |       |       |       |              |       |       |       |       |       |              |       |       |       |       |       |              |       |       |       |       |       |              |       |       |       |       |       |              |       |       |       |       |       |              |       |       |       |       |       |              |       |      |       |      |       |              |       |      |       |      |       |              |       |      |       |      |       |              |       |      |       |              |       |              |       |      |       |              |       |              |       |              |       |              |       |              |       |              |       |      |       |      |       |      |       |      |       |      |       |      |       |      |       |      |       |      |       |      |       |      |       |      |       |      |       |      |       |      |       |      |       |      |       |      |       |      |      |      |       |      |       |      |       |      |       |      |       |      |       |      |       |      |       |      |      |      |      |      |      |     |      |     |      |     |      |     |      |     |      |     |      |     |      |     |      |     |      |     |      |     |      |
| 28            | 350        | 49.60    | 2.2                    |              |         | 33            | 298        |              |                        | 42.23        | 2.6     | 36           | 271   |              |      | 38.38        | 2.7   | 42           | 234  |              |       | 33.24        | 3.0  | 25           | 396   |              |      | 56.09        | 0.95  | 29           | 336  |              |       | 47.66        | 1.12 | 33           | 300   | 42.55        | 1.25 | 39           | 256   | 36.34        | 1.47 | 41           | 240   | 34.04        | 1.57 | 49           | 202   | 28.67        | 1.86 | 46           | 216   | 30.64        | 1.74 | 48           | 205   | 29.11        | 1.83 | 55           | 180   | 25.54        | 2.1  | 65           | 153   | 21.66        | 2.5  | 72           | 138   | 19.56        | 2.7  | 44           | 224   | 31.69        | 0.84 | 50           | 198   | 28.09        | 0.95 | 59           | 168   | 23.88        | 1.12 | 68           | 145   | 20.57        | 1.30 | 73           | 136   | 19.27        | 1.38 | 82           | 120   | 17.03        | 1.57 | 98           | 101   | 14.33        | 1.86 | 109          | 91    | 12.87        | 2.1  | 126          | 78    | 11.08        | 2.3  | 134          | 73    | 10.42        | 2.4  | 156    | 63    | 8.97         | 2.6  | 175    | 56    | 8.01   | 2.8  | 206          | 48    | 6.81   | 2.7  | 229    | 43    | 6.11         | 2.9   | 266    | 37    | 5.27  | 3.2   | 283          | 35    | 4.95   | 3.2   | 329    | 30    | 4.26         | 3.4   | 367    | 27    | 3.81   | 3.7   | <b>1.5kW</b> |       |        |       |        |       | <b>1.5kW</b> |       |        |       |        |       | 0.58         | 22102 | 2427   | 0.77  | 0.64   | 19898 | 2185         | 0.85  | 0.72   | 17703 | 1944   | 0.96  | 0.84         | 15244 | 1674   | 1.11  | 1.1    | 11911 | 1308         | 1.42  | 1.2    | 10646 | 1169   | 1.59  | 1.5          | 8679  | 953    | 1.95  | 1.7    | 7695  | 845          | 2.2   | 3.1    | 4062  | 446          | 4.2   | 4.7          | 2741  | 301    | 6.2   | 0.86         | 14744 | 1619   | 0.77  | 1.0    | 12758 | 1401         | 0.88  | 1.1    | 11201 | 1230  | 1.01  | 1.3          | 9881  | 1085   | 1.14  | 1.5    | 8533  | 937          | 1.32  | 1.7    | 7531  | 827   | 1.50  | 1.9          | 6675  | 733   | 1.69  | 2.2    | 5828  | 640          | 1.94  | 1.5    | 8651  | 950   | 0.83  | 1.7          | 7595  | 834          | 0.95  | 1.9    | 6702  | 736    | 1.08  | 2.2          | 5710  | 627          | 1.26  |        |       |       |       |              |       |              |       |       |       |       |       |              |       |       |       |       |       |              |       |       |       |       |       |              |       |       |       |       |       |              |       |       |       |       |       |              |       |       |       |       |       |              |       |       |       |       |       |              |       |       |       |       |       |              |       |       |       |       |       |              |       |       |       |       |       |              |       |       |       |       |       |              |       |       |       |       |       |              |       |       |       |       |       |              |       |       |       |       |       |              |       |       |       |       |       |              |       |       |       |       |       |              |       |       |       |       |       |              |       |       |       |       |       |              |       |       |       |       |       |              |       |       |       |       |       |              |       |       |       |       |       |              |       |      |       |      |       |              |       |      |       |      |       |              |       |      |       |      |       |              |       |      |       |              |       |              |       |      |       |              |       |              |       |              |       |              |       |              |       |              |       |      |       |      |       |      |       |      |       |      |       |      |       |      |       |      |       |      |       |      |       |      |       |      |       |      |       |      |       |      |       |      |       |      |       |      |       |      |      |      |       |      |       |      |       |      |       |      |       |      |       |      |       |      |       |      |      |      |      |      |      |     |      |     |      |     |      |     |      |     |      |     |      |     |      |     |      |     |      |     |      |     |      |
| 33            | 298        | 42.23    | 2.6                    |              |         | 36            | 271        |              |                        | 38.38        | 2.7     | 42           | 234   |              |      | 33.24        | 3.0   | 25           | 396  |              |       | 56.09        | 0.95 | 29           | 336   |              |      | 47.66        | 1.12  | 33           | 300  | 42.55        | 1.25  | 39           | 256  | 36.34        | 1.47  | 41           | 240  | 34.04        | 1.57  | 49           | 202  | 28.67        | 1.86  | 46           | 216  | 30.64        | 1.74  | 48           | 205  | 29.11        | 1.83  | 55           | 180  | 25.54        | 2.1   | 65           | 153  | 21.66        | 2.5   | 72           | 138  | 19.56        | 2.7   | 44           | 224  | 31.69        | 0.84  | 50           | 198  | 28.09        | 0.95  | 59           | 168  | 23.88        | 1.12  | 68           | 145  | 20.57        | 1.30  | 73           | 136  | 19.27        | 1.38  | 82           | 120  | 17.03        | 1.57  | 98           | 101  | 14.33        | 1.86  | 109          | 91   | 12.87        | 2.1   | 126          | 78   | 11.08        | 2.3   | 134          | 73   | 10.42        | 2.4   | 156          | 63   | 8.97         | 2.6   | 175          | 56   | 8.01   | 2.8   | 206          | 48   | 6.81   | 2.7   | 229    | 43   | 6.11         | 2.9   | 266    | 37   | 5.27   | 3.2   | 283          | 35    | 4.95   | 3.2   | 329   | 30    | 4.26         | 3.4   | 367    | 27    | 3.81   | 3.7   | <b>1.5kW</b> |       |        |       |        |       | <b>1.5kW</b> |       |        |       |        |       | 0.58         | 22102 | 2427   | 0.77  | 0.64   | 19898 | 2185         | 0.85  | 0.72   | 17703 | 1944   | 0.96  | 0.84         | 15244 | 1674   | 1.11  | 1.1    | 11911 | 1308         | 1.42  | 1.2    | 10646 | 1169   | 1.59  | 1.5          | 8679  | 953    | 1.95  | 1.7    | 7695  | 845          | 2.2   | 3.1    | 4062  | 446    | 4.2   | 4.7          | 2741  | 301    | 6.2   | 0.86         | 14744 | 1619         | 0.77  | 1.0    | 12758 | 1401         | 0.88  | 1.1    | 11201 | 1230   | 1.01  | 1.3          | 9881  | 1085   | 1.14  | 1.5   | 8533  | 937          | 1.32  | 1.7    | 7531  | 827    | 1.50  | 1.9          | 6675  | 733    | 1.69  | 2.2   | 5828  | 640          | 1.94  | 1.5   | 8651  | 950    | 0.83  | 1.7          | 7595  | 834    | 0.95  | 1.9   | 6702  | 736          | 1.08  | 2.2          | 5710  | 627    | 1.26  |        |       |              |       |              |       |        |       |       |       |              |       |              |       |       |       |       |       |              |       |       |       |       |       |              |       |       |       |       |       |              |       |       |       |       |       |              |       |       |       |       |       |              |       |       |       |       |       |              |       |       |       |       |       |              |       |       |       |       |       |              |       |       |       |       |       |              |       |       |       |       |       |              |       |       |       |       |       |              |       |       |       |       |       |              |       |       |       |       |       |              |       |       |       |       |       |              |       |       |       |       |       |              |       |       |       |       |       |              |       |       |       |       |       |              |       |       |       |       |       |              |       |       |       |       |       |              |       |       |       |       |       |              |       |       |       |       |       |              |       |      |       |      |       |              |       |      |       |      |       |              |       |      |       |      |       |              |       |      |       |              |       |              |       |      |       |              |       |              |       |              |       |              |       |              |       |              |       |      |       |      |       |      |       |      |       |      |       |      |       |      |       |      |       |      |       |      |       |      |       |      |       |      |       |      |       |      |       |      |       |      |       |      |       |      |      |      |       |      |       |      |       |      |       |      |       |      |       |      |       |      |       |      |      |      |      |      |      |     |      |     |      |     |      |     |      |     |      |     |      |     |      |     |      |     |      |     |      |     |      |
| 36            | 271        | 38.38    | 2.7                    |              |         | 42            | 234        |              |                        | 33.24        | 3.0     | 25           | 396   |              |      | 56.09        | 0.95  | 29           | 336  |              |       | 47.66        | 1.12 | 33           | 300   | 42.55        | 1.25 | 39           | 256   | 36.34        | 1.47 | 41           | 240   | 34.04        | 1.57 | 49           | 202   | 28.67        | 1.86 | 46           | 216   | 30.64        | 1.74 | 48           | 205   | 29.11        | 1.83 | 55           | 180   | 25.54        | 2.1  | 65           | 153   | 21.66        | 2.5  | 72           | 138   | 19.56        | 2.7  | 44           | 224   | 31.69        | 0.84 | 50           | 198   | 28.09        | 0.95 | 59           | 168   | 23.88        | 1.12 | 68           | 145   | 20.57        | 1.30 | 73           | 136   | 19.27        | 1.38 | 82           | 120   | 17.03        | 1.57 | 98           | 101   | 14.33        | 1.86 | 109          | 91    | 12.87        | 2.1  | 126          | 78    | 11.08        | 2.3  | 134          | 73    | 10.42        | 2.4  | 156          | 63    | 8.97         | 2.6  | 175          | 56    | 8.01         | 2.8  | 206          | 48    | 6.81         | 2.7  | 229    | 43    | 6.11         | 2.9  | 266    | 37    | 5.27   | 3.2  | 283          | 35    | 4.95   | 3.2  | 329    | 30    | 4.26         | 3.4   | 367    | 27    | 3.81  | 3.7   | <b>1.5kW</b> |       |        |       |        |       | <b>1.5kW</b> |       |        |       |        |       | 0.58         | 22102 | 2427   | 0.77  | 0.64   | 19898 | 2185         | 0.85  | 0.72   | 17703 | 1944   | 0.96  | 0.84         | 15244 | 1674   | 1.11  | 1.1    | 11911 | 1308         | 1.42  | 1.2    | 10646 | 1169   | 1.59  | 1.5          | 8679  | 953    | 1.95  | 1.7    | 7695  | 845          | 2.2   | 3.1    | 4062  | 446    | 4.2   | 4.7          | 2741  | 301    | 6.2   | 0.86   | 14744 | 1619         | 0.77  | 1.0    | 12758 | 1401         | 0.88  | 1.1          | 11201 | 1230   | 1.01  | 1.3          | 9881  | 1085   | 1.14  | 1.5    | 8533  | 937          | 1.32  | 1.7    | 7531  | 827   | 1.50  | 1.9          | 6675  | 733    | 1.69  | 2.2    | 5828  | 640          | 1.94  | 1.5    | 8651  | 950   | 0.83  | 1.7          | 7595  | 834   | 0.95  | 1.9    | 6702  | 736          | 1.08  | 2.2    | 5710  | 627   | 1.26  |              |       |              |       |        |       |        |       |              |       |              |       |        |       |       |       |              |       |              |       |       |       |       |       |              |       |       |       |       |       |              |       |       |       |       |       |              |       |       |       |       |       |              |       |       |       |       |       |              |       |       |       |       |       |              |       |       |       |       |       |              |       |       |       |       |       |              |       |       |       |       |       |              |       |       |       |       |       |              |       |       |       |       |       |              |       |       |       |       |       |              |       |       |       |       |       |              |       |       |       |       |       |              |       |       |       |       |       |              |       |       |       |       |       |              |       |       |       |       |       |              |       |       |       |       |       |              |       |       |       |       |       |              |       |       |       |       |       |              |       |       |       |       |       |              |       |      |       |      |       |              |       |      |       |      |       |              |       |      |       |      |       |              |       |      |       |              |       |              |       |      |       |              |       |              |       |              |       |              |       |              |       |              |       |      |       |      |       |      |       |      |       |      |       |      |       |      |       |      |       |      |       |      |       |      |       |      |       |      |       |      |       |      |       |      |       |      |       |      |       |      |      |      |       |      |       |      |       |      |       |      |       |      |       |      |       |      |       |      |      |      |      |      |      |     |      |     |      |     |      |     |      |     |      |     |      |     |      |     |      |     |      |     |      |     |      |
| 42            | 234        | 33.24    | 3.0                    |              |         | 25            | 396        |              |                        | 56.09        | 0.95    | 29           | 336   |              |      | 47.66        | 1.12  | 33           | 300  | 42.55        | 1.25  | 39           | 256  | 36.34        | 1.47  | 41           | 240  | 34.04        | 1.57  | 49           | 202  | 28.67        | 1.86  | 46           | 216  | 30.64        | 1.74  | 48           | 205  | 29.11        | 1.83  | 55           | 180  | 25.54        | 2.1   | 65           | 153  | 21.66        | 2.5   | 72           | 138  | 19.56        | 2.7   | 44           | 224  | 31.69        | 0.84  | 50           | 198  | 28.09        | 0.95  | 59           | 168  | 23.88        | 1.12  | 68           | 145  | 20.57        | 1.30  | 73           | 136  | 19.27        | 1.38  | 82           | 120  | 17.03        | 1.57  | 98           | 101  | 14.33        | 1.86  | 109          | 91   | 12.87        | 2.1   | 126          | 78   | 11.08        | 2.3   | 134          | 73   | 10.42        | 2.4   | 156          | 63   | 8.97         | 2.6   | 175          | 56   | 8.01         | 2.8   | 206          | 48   | 6.81         | 2.7   | 229          | 43   | 6.11         | 2.9   | 266          | 37   | 5.27   | 3.2   | 283          | 35   | 4.95   | 3.2   | 329    | 30   | 4.26         | 3.4   | 367    | 27   | 3.81   | 3.7   | <b>1.5kW</b> |       |        |       |       |       | <b>1.5kW</b> |       |        |       |        |       | 0.58         | 22102 | 2427   | 0.77  | 0.64   | 19898 | 2185         | 0.85  | 0.72   | 17703 | 1944   | 0.96  | 0.84         | 15244 | 1674   | 1.11  | 1.1    | 11911 | 1308         | 1.42  | 1.2    | 10646 | 1169   | 1.59  | 1.5          | 8679  | 953    | 1.95  | 1.7    | 7695  | 845          | 2.2   | 3.1    | 4062  | 446    | 4.2   | 4.7          | 2741  | 301    | 6.2   | 0.86   | 14744 | 1619         | 0.77  | 1.0    | 12758 | 1401   | 0.88  | 1.1          | 11201 | 1230   | 1.01  | 1.3          | 9881  | 1085         | 1.14  | 1.5    | 8533  | 937          | 1.32  | 1.7    | 7531  | 827    | 1.50  | 1.9          | 6675  | 733    | 1.69  | 2.2   | 5828  | 640          | 1.94  | 1.5    | 8651  | 950    | 0.83  | 1.7          | 7595  | 834    | 0.95  | 1.9   | 6702  | 736          | 1.08  | 2.2   | 5710  | 627    | 1.26  |              |       |        |       |       |       |              |       |              |       |        |       |        |       |              |       |              |       |        |       |       |       |              |       |              |       |       |       |       |       |              |       |       |       |       |       |              |       |       |       |       |       |              |       |       |       |       |       |              |       |       |       |       |       |              |       |       |       |       |       |              |       |       |       |       |       |              |       |       |       |       |       |              |       |       |       |       |       |              |       |       |       |       |       |              |       |       |       |       |       |              |       |       |       |       |       |              |       |       |       |       |       |              |       |       |       |       |       |              |       |       |       |       |       |              |       |       |       |       |       |              |       |       |       |       |       |              |       |       |       |       |       |              |       |       |       |       |       |              |       |       |       |       |       |              |       |       |       |       |       |              |       |      |       |      |       |              |       |      |       |      |       |              |       |      |       |      |       |              |       |      |       |              |       |              |       |      |       |              |       |              |       |              |       |              |       |              |       |              |       |      |       |      |       |      |       |      |       |      |       |      |       |      |       |      |       |      |       |      |       |      |       |      |       |      |       |      |       |      |       |      |       |      |       |      |       |      |      |      |       |      |       |      |       |      |       |      |       |      |       |      |       |      |       |      |      |      |      |      |      |     |      |     |      |     |      |     |      |     |      |     |      |     |      |     |      |     |      |     |      |     |      |
| 25            | 396        | 56.09    | 0.95                   |              |         | 29            | 336        |              |                        | 47.66        | 1.12    | 33           | 300   | 42.55        | 1.25 | 39           | 256   | 36.34        | 1.47 | 41           | 240   | 34.04        | 1.57 | 49           | 202   | 28.67        | 1.86 | 46           | 216   | 30.64        | 1.74 | 48           | 205   | 29.11        | 1.83 | 55           | 180   | 25.54        | 2.1  | 65           | 153   | 21.66        | 2.5  | 72           | 138   | 19.56        | 2.7  | 44           | 224   | 31.69        | 0.84 | 50           | 198   | 28.09        | 0.95 | 59           | 168   | 23.88        | 1.12 | 68           | 145   | 20.57        | 1.30 | 73           | 136   | 19.27        | 1.38 | 82           | 120   | 17.03        | 1.57 | 98           | 101   | 14.33        | 1.86 | 109          | 91    | 12.87        | 2.1  | 126          | 78    | 11.08        | 2.3  | 134          | 73    | 10.42        | 2.4  | 156          | 63    | 8.97         | 2.6  | 175          | 56    | 8.01         | 2.8  | 206          | 48    | 6.81         | 2.7  | 229          | 43    | 6.11         | 2.9  | 266          | 37    | 5.27         | 3.2  | 283          | 35    | 4.95         | 3.2  | 329    | 30    | 4.26         | 3.4  | 367    | 27    | 3.81   | 3.7  | <b>1.5kW</b> |       |        |      |        |       | <b>1.5kW</b> |       |        |       |       |       | 0.58         | 22102 | 2427   | 0.77  | 0.64   | 19898 | 2185         | 0.85  | 0.72   | 17703 | 1944   | 0.96  | 0.84         | 15244 | 1674   | 1.11  | 1.1    | 11911 | 1308         | 1.42  | 1.2    | 10646 | 1169   | 1.59  | 1.5          | 8679  | 953    | 1.95  | 1.7    | 7695  | 845          | 2.2   | 3.1    | 4062  | 446    | 4.2   | 4.7          | 2741  | 301    | 6.2   | 0.86   | 14744 | 1619         | 0.77  | 1.0    | 12758 | 1401   | 0.88  | 1.1          | 11201 | 1230   | 1.01  | 1.3    | 9881  | 1085         | 1.14  | 1.5    | 8533  | 937          | 1.32  | 1.7          | 7531  | 827    | 1.50  | 1.9          | 6675  | 733    | 1.69  | 2.2    | 5828  | 640          | 1.94  | 1.5    | 8651  | 950   | 0.83  | 1.7          | 7595  | 834    | 0.95  | 1.9    | 6702  | 736          | 1.08  | 2.2    | 5710  | 627   | 1.26  |              |       |       |       |        |       |              |       |        |       |       |       |              |       |              |       |        |       |        |       |              |       |              |       |        |       |       |       |              |       |              |       |       |       |       |       |              |       |       |       |       |       |              |       |       |       |       |       |              |       |       |       |       |       |              |       |       |       |       |       |              |       |       |       |       |       |              |       |       |       |       |       |              |       |       |       |       |       |              |       |       |       |       |       |              |       |       |       |       |       |              |       |       |       |       |       |              |       |       |       |       |       |              |       |       |       |       |       |              |       |       |       |       |       |              |       |       |       |       |       |              |       |       |       |       |       |              |       |       |       |       |       |              |       |       |       |       |       |              |       |       |       |       |       |              |       |       |       |       |       |              |       |       |       |       |       |              |       |      |       |      |       |              |       |      |       |      |       |              |       |      |       |      |       |              |       |      |       |              |       |              |       |      |       |              |       |              |       |              |       |              |       |              |       |              |       |      |       |      |       |      |       |      |       |      |       |      |       |      |       |      |       |      |       |      |       |      |       |      |       |      |       |      |       |      |       |      |       |      |       |      |       |      |      |      |       |      |       |      |       |      |       |      |       |      |       |      |       |      |       |      |      |      |      |      |      |     |      |     |      |     |      |     |      |     |      |     |      |     |      |     |      |     |      |     |      |     |      |
| 29            | 336        | 47.66    | 1.12                   |              |         | 33            | 300        | 42.55        | 1.25                   | 39           | 256     | 36.34        | 1.47  | 41           | 240  | 34.04        | 1.57  | 49           | 202  | 28.67        | 1.86  | 46           | 216  | 30.64        | 1.74  | 48           | 205  | 29.11        | 1.83  | 55           | 180  | 25.54        | 2.1   | 65           | 153  | 21.66        | 2.5   | 72           | 138  | 19.56        | 2.7   | 44           | 224  | 31.69        | 0.84  | 50           | 198  | 28.09        | 0.95  | 59           | 168  | 23.88        | 1.12  | 68           | 145  | 20.57        | 1.30  | 73           | 136  | 19.27        | 1.38  | 82           | 120  | 17.03        | 1.57  | 98           | 101  | 14.33        | 1.86  | 109          | 91   | 12.87        | 2.1   | 126          | 78   | 11.08        | 2.3   | 134          | 73   | 10.42        | 2.4   | 156          | 63   | 8.97         | 2.6   | 175          | 56   | 8.01         | 2.8   | 206          | 48   | 6.81         | 2.7   | 229          | 43   | 6.11         | 2.9   | 266          | 37   | 5.27         | 3.2   | 283          | 35   | 4.95         | 3.2   | 329          | 30   | 4.26         | 3.4   | 367          | 27   | 3.81   | 3.7   | <b>1.5kW</b> |      |        |       |        |      | <b>1.5kW</b> |       |        |      |        |       | 0.58         | 22102 | 2427   | 0.77  | 0.64  | 19898 | 2185         | 0.85  | 0.72   | 17703 | 1944   | 0.96  | 0.84         | 15244 | 1674   | 1.11  | 1.1    | 11911 | 1308         | 1.42  | 1.2    | 10646 | 1169   | 1.59  | 1.5          | 8679  | 953    | 1.95  | 1.7    | 7695  | 845          | 2.2   | 3.1    | 4062  | 446    | 4.2   | 4.7          | 2741  | 301    | 6.2   | 0.86   | 14744 | 1619         | 0.77  | 1.0    | 12758 | 1401   | 0.88  | 1.1          | 11201 | 1230   | 1.01  | 1.3    | 9881  | 1085         | 1.14  | 1.5    | 8533  | 937    | 1.32  | 1.7          | 7531  | 827    | 1.50  | 1.9          | 6675  | 733          | 1.69  | 2.2    | 5828  | 640          | 1.94  | 1.5    | 8651  | 950    | 0.83  | 1.7          | 7595  | 834    | 0.95  | 1.9   | 6702  | 736          | 1.08  | 2.2    | 5710  | 627    | 1.26  |              |       |        |       |       |       |              |       |       |       |        |       |              |       |        |       |       |       |              |       |              |       |        |       |        |       |              |       |              |       |        |       |       |       |              |       |              |       |       |       |       |       |              |       |       |       |       |       |              |       |       |       |       |       |              |       |       |       |       |       |              |       |       |       |       |       |              |       |       |       |       |       |              |       |       |       |       |       |              |       |       |       |       |       |              |       |       |       |       |       |              |       |       |       |       |       |              |       |       |       |       |       |              |       |       |       |       |       |              |       |       |       |       |       |              |       |       |       |       |       |              |       |       |       |       |       |              |       |       |       |       |       |              |       |       |       |       |       |              |       |       |       |       |       |              |       |       |       |       |       |              |       |       |       |       |       |              |       |       |       |       |       |              |       |      |       |      |       |              |       |      |       |      |       |              |       |      |       |      |       |              |       |      |       |              |       |              |       |      |       |              |       |              |       |              |       |              |       |              |       |              |       |      |       |      |       |      |       |      |       |      |       |      |       |      |       |      |       |      |       |      |       |      |       |      |       |      |       |      |       |      |       |      |       |      |       |      |       |      |      |      |       |      |       |      |       |      |       |      |       |      |       |      |       |      |       |      |      |      |      |      |      |     |      |     |      |     |      |     |      |     |      |     |      |     |      |     |      |     |      |     |      |     |      |
| 33            | 300        | 42.55    | 1.25                   | 39           | 256     | 36.34         | 1.47       | 41           | 240                    | 34.04        | 1.57    | 49           | 202   | 28.67        | 1.86 | 46           | 216   | 30.64        | 1.74 | 48           | 205   | 29.11        | 1.83 | 55           | 180   | 25.54        | 2.1  | 65           | 153   | 21.66        | 2.5  | 72           | 138   | 19.56        | 2.7  | 44           | 224   | 31.69        | 0.84 | 50           | 198   | 28.09        | 0.95 | 59           | 168   | 23.88        | 1.12 | 68           | 145   | 20.57        | 1.30 | 73           | 136   | 19.27        | 1.38 | 82           | 120   | 17.03        | 1.57 | 98           | 101   | 14.33        | 1.86 | 109          | 91    | 12.87        | 2.1  | 126          | 78    | 11.08        | 2.3  | 134          | 73    | 10.42        | 2.4  | 156          | 63    | 8.97         | 2.6  | 175          | 56    | 8.01         | 2.8  | 206          | 48    | 6.81         | 2.7  | 229          | 43    | 6.11         | 2.9  | 266          | 37    | 5.27         | 3.2  | 283          | 35    | 4.95         | 3.2  | 329          | 30    | 4.26         | 3.4  | 367          | 27    | 3.81         | 3.7  | <b>1.5kW</b> |       |              |      |        |       | <b>1.5kW</b> |      |        |       |        |      | 0.58         | 22102 | 2427   | 0.77 | 0.64   | 19898 | 2185         | 0.85  | 0.72   | 17703 | 1944  | 0.96  | 0.84         | 15244 | 1674   | 1.11  | 1.1    | 11911 | 1308         | 1.42  | 1.2    | 10646 | 1169   | 1.59  | 1.5          | 8679  | 953    | 1.95  | 1.7    | 7695  | 845          | 2.2   | 3.1    | 4062  | 446    | 4.2   | 4.7          | 2741  | 301    | 6.2   | 0.86   | 14744 | 1619         | 0.77  | 1.0    | 12758 | 1401   | 0.88  | 1.1          | 11201 | 1230   | 1.01  | 1.3    | 9881  | 1085         | 1.14  | 1.5    | 8533  | 937    | 1.32  | 1.7          | 7531  | 827    | 1.50  | 1.9    | 6675  | 733          | 1.69  | 2.2    | 5828  | 640          | 1.94  | 1.5          | 8651  | 950    | 0.83  | 1.7          | 7595  | 834    | 0.95  | 1.9    | 6702  | 736          | 1.08  | 2.2    | 5710  | 627   | 1.26  |              |       |        |       |        |       |              |       |        |       |       |       |              |       |       |       |        |       |              |       |        |       |       |       |              |       |              |       |        |       |        |       |              |       |              |       |        |       |       |       |              |       |              |       |       |       |       |       |              |       |       |       |       |       |              |       |       |       |       |       |              |       |       |       |       |       |              |       |       |       |       |       |              |       |       |       |       |       |              |       |       |       |       |       |              |       |       |       |       |       |              |       |       |       |       |       |              |       |       |       |       |       |              |       |       |       |       |       |              |       |       |       |       |       |              |       |       |       |       |       |              |       |       |       |       |       |              |       |       |       |       |       |              |       |       |       |       |       |              |       |       |       |       |       |              |       |       |       |       |       |              |       |       |       |       |       |              |       |       |       |       |       |              |       |       |       |       |       |              |       |      |       |      |       |              |       |      |       |      |       |              |       |      |       |      |       |              |       |      |       |              |       |              |       |      |       |              |       |              |       |              |       |              |       |              |       |              |       |      |       |      |       |      |       |      |       |      |       |      |       |      |       |      |       |      |       |      |       |      |       |      |       |      |       |      |       |      |       |      |       |      |       |      |       |      |      |      |       |      |       |      |       |      |       |      |       |      |       |      |       |      |       |      |      |      |      |      |      |     |      |     |      |     |      |     |      |     |      |     |      |     |      |     |      |     |      |     |      |     |      |
| 39            | 256        | 36.34    | 1.47                   | 41           | 240     | 34.04         | 1.57       | 49           | 202                    | 28.67        | 1.86    | 46           | 216   | 30.64        | 1.74 | 48           | 205   | 29.11        | 1.83 | 55           | 180   | 25.54        | 2.1  | 65           | 153   | 21.66        | 2.5  | 72           | 138   | 19.56        | 2.7  | 44           | 224   | 31.69        | 0.84 | 50           | 198   | 28.09        | 0.95 | 59           | 168   | 23.88        | 1.12 | 68           | 145   | 20.57        | 1.30 | 73           | 136   | 19.27        | 1.38 | 82           | 120   | 17.03        | 1.57 | 98           | 101   | 14.33        | 1.86 | 109          | 91    | 12.87        | 2.1  | 126          | 78    | 11.08        | 2.3  | 134          | 73    | 10.42        | 2.4  | 156          | 63    | 8.97         | 2.6  | 175          | 56    | 8.01         | 2.8  | 206          | 48    | 6.81         | 2.7  | 229          | 43    | 6.11         | 2.9  | 266          | 37    | 5.27         | 3.2  | 283          | 35    | 4.95         | 3.2  | 329          | 30    | 4.26         | 3.4  | 367          | 27    | 3.81         | 3.7  | <b>1.5kW</b> |       |              |      |              |       | <b>1.5kW</b> |      |        |       |              |      | 0.58   | 22102 | 2427   | 0.77 | 0.64         | 19898 | 2185   | 0.85 | 0.72   | 17703 | 1944         | 0.96  | 0.84   | 15244 | 1674  | 1.11  | 1.1          | 11911 | 1308   | 1.42  | 1.2    | 10646 | 1169         | 1.59  | 1.5    | 8679  | 953    | 1.95  | 1.7          | 7695  | 845    | 2.2   | 3.1    | 4062  | 446          | 4.2   | 4.7    | 2741  | 301    | 6.2   | 0.86         | 14744 | 1619   | 0.77  | 1.0    | 12758 | 1401         | 0.88  | 1.1    | 11201 | 1230   | 1.01  | 1.3          | 9881  | 1085   | 1.14  | 1.5    | 8533  | 937          | 1.32  | 1.7    | 7531  | 827    | 1.50  | 1.9          | 6675  | 733    | 1.69  | 2.2    | 5828  | 640          | 1.94  | 1.5    | 8651  | 950          | 0.83  | 1.7          | 7595  | 834    | 0.95  | 1.9          | 6702  | 736    | 1.08  | 2.2    | 5710  | 627          | 1.26  |        |       |       |       |              |       |        |       |        |       |              |       |        |       |       |       |              |       |       |       |        |       |              |       |        |       |       |       |              |       |              |       |        |       |        |       |              |       |              |       |        |       |       |       |              |       |              |       |       |       |       |       |              |       |       |       |       |       |              |       |       |       |       |       |              |       |       |       |       |       |              |       |       |       |       |       |              |       |       |       |       |       |              |       |       |       |       |       |              |       |       |       |       |       |              |       |       |       |       |       |              |       |       |       |       |       |              |       |       |       |       |       |              |       |       |       |       |       |              |       |       |       |       |       |              |       |       |       |       |       |              |       |       |       |       |       |              |       |       |       |       |       |              |       |       |       |       |       |              |       |       |       |       |       |              |       |       |       |       |       |              |       |       |       |       |       |              |       |       |       |       |       |              |       |      |       |      |       |              |       |      |       |      |       |              |       |      |       |      |       |              |       |      |       |              |       |              |       |      |       |              |       |              |       |              |       |              |       |              |       |              |       |      |       |      |       |      |       |      |       |      |       |      |       |      |       |      |       |      |       |      |       |      |       |      |       |      |       |      |       |      |       |      |       |      |       |      |       |      |      |      |       |      |       |      |       |      |       |      |       |      |       |      |       |      |       |      |      |      |      |      |      |     |      |     |      |     |      |     |      |     |      |     |      |     |      |     |      |     |      |     |      |     |      |
| 41            | 240        | 34.04    | 1.57                   | 49           | 202     | 28.67         | 1.86       | 46           | 216                    | 30.64        | 1.74    | 48           | 205   | 29.11        | 1.83 | 55           | 180   | 25.54        | 2.1  | 65           | 153   | 21.66        | 2.5  | 72           | 138   | 19.56        | 2.7  | 44           | 224   | 31.69        | 0.84 | 50           | 198   | 28.09        | 0.95 | 59           | 168   | 23.88        | 1.12 | 68           | 145   | 20.57        | 1.30 | 73           | 136   | 19.27        | 1.38 | 82           | 120   | 17.03        | 1.57 | 98           | 101   | 14.33        | 1.86 | 109          | 91    | 12.87        | 2.1  | 126          | 78    | 11.08        | 2.3  | 134          | 73    | 10.42        | 2.4  | 156          | 63    | 8.97         | 2.6  | 175          | 56    | 8.01         | 2.8  | 206          | 48    | 6.81         | 2.7  | 229          | 43    | 6.11         | 2.9  | 266          | 37    | 5.27         | 3.2  | 283          | 35    | 4.95         | 3.2  | 329          | 30    | 4.26         | 3.4  | 367          | 27    | 3.81         | 3.7  | <b>1.5kW</b> |       |              |      |              |       | <b>1.5kW</b> |      |              |       |              |      | 0.58   | 22102 | 2427         | 0.77 | 0.64   | 19898 | 2185   | 0.85 | 0.72         | 17703 | 1944   | 0.96 | 0.84   | 15244 | 1674         | 1.11  | 1.1    | 11911 | 1308  | 1.42  | 1.2          | 10646 | 1169   | 1.59  | 1.5    | 8679  | 953          | 1.95  | 1.7    | 7695  | 845    | 2.2   | 3.1          | 4062  | 446    | 4.2   | 4.7    | 2741  | 301          | 6.2   | 0.86   | 14744 | 1619   | 0.77  | 1.0          | 12758 | 1401   | 0.88  | 1.1    | 11201 | 1230         | 1.01  | 1.3    | 9881  | 1085   | 1.14  | 1.5          | 8533  | 937    | 1.32  | 1.7    | 7531  | 827          | 1.50  | 1.9    | 6675  | 733    | 1.69  | 2.2          | 5828  | 640    | 1.94  | 1.5    | 8651  | 950          | 0.83  | 1.7    | 7595  | 834          | 0.95  | 1.9          | 6702  | 736    | 1.08  | 2.2          | 5710  | 627    | 1.26  |        |       |              |       |        |       |       |       |              |       |        |       |        |       |              |       |        |       |       |       |              |       |       |       |        |       |              |       |        |       |       |       |              |       |              |       |        |       |        |       |              |       |              |       |        |       |       |       |              |       |              |       |       |       |       |       |              |       |       |       |       |       |              |       |       |       |       |       |              |       |       |       |       |       |              |       |       |       |       |       |              |       |       |       |       |       |              |       |       |       |       |       |              |       |       |       |       |       |              |       |       |       |       |       |              |       |       |       |       |       |              |       |       |       |       |       |              |       |       |       |       |       |              |       |       |       |       |       |              |       |       |       |       |       |              |       |       |       |       |       |              |       |       |       |       |       |              |       |       |       |       |       |              |       |       |       |       |       |              |       |       |       |       |       |              |       |       |       |       |       |              |       |       |       |       |       |              |       |      |       |      |       |              |       |      |       |      |       |              |       |      |       |      |       |              |       |      |       |              |       |              |       |      |       |              |       |              |       |              |       |              |       |              |       |              |       |      |       |      |       |      |       |      |       |      |       |      |       |      |       |      |       |      |       |      |       |      |       |      |       |      |       |      |       |      |       |      |       |      |       |      |       |      |      |      |       |      |       |      |       |      |       |      |       |      |       |      |       |      |       |      |      |      |      |      |      |     |      |     |      |     |      |     |      |     |      |     |      |     |      |     |      |     |      |     |      |     |      |
| 49            | 202        | 28.67    | 1.86                   | 46           | 216     | 30.64         | 1.74       | 48           | 205                    | 29.11        | 1.83    | 55           | 180   | 25.54        | 2.1  | 65           | 153   | 21.66        | 2.5  | 72           | 138   | 19.56        | 2.7  | 44           | 224   | 31.69        | 0.84 | 50           | 198   | 28.09        | 0.95 | 59           | 168   | 23.88        | 1.12 | 68           | 145   | 20.57        | 1.30 | 73           | 136   | 19.27        | 1.38 | 82           | 120   | 17.03        | 1.57 | 98           | 101   | 14.33        | 1.86 | 109          | 91    | 12.87        | 2.1  | 126          | 78    | 11.08        | 2.3  | 134          | 73    | 10.42        | 2.4  | 156          | 63    | 8.97         | 2.6  | 175          | 56    | 8.01         | 2.8  | 206          | 48    | 6.81         | 2.7  | 229          | 43    | 6.11         | 2.9  | 266          | 37    | 5.27         | 3.2  | 283          | 35    | 4.95         | 3.2  | 329          | 30    | 4.26         | 3.4  | 367          | 27    | 3.81         | 3.7  | <b>1.5kW</b> |       |              |      |              |       | <b>1.5kW</b> |      |              |       |              |      | 0.58         | 22102 | 2427         | 0.77 | 0.64   | 19898 | 2185         | 0.85 | 0.72   | 17703 | 1944   | 0.96 | 0.84         | 15244 | 1674   | 1.11 | 1.1    | 11911 | 1308         | 1.42  | 1.2    | 10646 | 1169  | 1.59  | 1.5          | 8679  | 953    | 1.95  | 1.7    | 7695  | 845          | 2.2   | 3.1    | 4062  | 446    | 4.2   | 4.7          | 2741  | 301    | 6.2   | 0.86   | 14744 | 1619         | 0.77  | 1.0    | 12758 | 1401   | 0.88  | 1.1          | 11201 | 1230   | 1.01  | 1.3    | 9881  | 1085         | 1.14  | 1.5    | 8533  | 937    | 1.32  | 1.7          | 7531  | 827    | 1.50  | 1.9    | 6675  | 733          | 1.69  | 2.2    | 5828  | 640    | 1.94  | 1.5          | 8651  | 950    | 0.83  | 1.7    | 7595  | 834          | 0.95  | 1.9    | 6702  | 736          | 1.08  | 2.2          | 5710  | 627    | 1.26  |              |       |        |       |        |       |              |       |        |       |       |       |              |       |        |       |        |       |              |       |        |       |       |       |              |       |       |       |        |       |              |       |        |       |       |       |              |       |              |       |        |       |        |       |              |       |              |       |        |       |       |       |              |       |              |       |       |       |       |       |              |       |       |       |       |       |              |       |       |       |       |       |              |       |       |       |       |       |              |       |       |       |       |       |              |       |       |       |       |       |              |       |       |       |       |       |              |       |       |       |       |       |              |       |       |       |       |       |              |       |       |       |       |       |              |       |       |       |       |       |              |       |       |       |       |       |              |       |       |       |       |       |              |       |       |       |       |       |              |       |       |       |       |       |              |       |       |       |       |       |              |       |       |       |       |       |              |       |       |       |       |       |              |       |       |       |       |       |              |       |       |       |       |       |              |       |       |       |       |       |              |       |      |       |      |       |              |       |      |       |      |       |              |       |      |       |      |       |              |       |      |       |              |       |              |       |      |       |              |       |              |       |              |       |              |       |              |       |              |       |      |       |      |       |      |       |      |       |      |       |      |       |      |       |      |       |      |       |      |       |      |       |      |       |      |       |      |       |      |       |      |       |      |       |      |       |      |      |      |       |      |       |      |       |      |       |      |       |      |       |      |       |      |       |      |      |      |      |      |      |     |      |     |      |     |      |     |      |     |      |     |      |     |      |     |      |     |      |     |      |     |      |
| 46            | 216        | 30.64    | 1.74                   | 48           | 205     | 29.11         | 1.83       | 55           | 180                    | 25.54        | 2.1     | 65           | 153   | 21.66        | 2.5  | 72           | 138   | 19.56        | 2.7  | 44           | 224   | 31.69        | 0.84 | 50           | 198   | 28.09        | 0.95 | 59           | 168   | 23.88        | 1.12 | 68           | 145   | 20.57        | 1.30 | 73           | 136   | 19.27        | 1.38 | 82           | 120   | 17.03        | 1.57 | 98           | 101   | 14.33        | 1.86 | 109          | 91    | 12.87        | 2.1  | 126          | 78    | 11.08        | 2.3  | 134          | 73    | 10.42        | 2.4  | 156          | 63    | 8.97         | 2.6  | 175          | 56    | 8.01         | 2.8  | 206          | 48    | 6.81         | 2.7  | 229          | 43    | 6.11         | 2.9  | 266          | 37    | 5.27         | 3.2  | 283          | 35    | 4.95         | 3.2  | 329          | 30    | 4.26         | 3.4  | 367          | 27    | 3.81         | 3.7  | <b>1.5kW</b> |       |              |      |              |       | <b>1.5kW</b> |      |              |       |              |      | 0.58         | 22102 | 2427         | 0.77 | 0.64         | 19898 | 2185         | 0.85 | 0.72   | 17703 | 1944         | 0.96 | 0.84   | 15244 | 1674   | 1.11 | 1.1          | 11911 | 1308   | 1.42 | 1.2    | 10646 | 1169         | 1.59  | 1.5    | 8679  | 953   | 1.95  | 1.7          | 7695  | 845    | 2.2   | 3.1    | 4062  | 446          | 4.2   | 4.7    | 2741  | 301    | 6.2   | 0.86         | 14744 | 1619   | 0.77  | 1.0    | 12758 | 1401         | 0.88  | 1.1    | 11201 | 1230   | 1.01  | 1.3          | 9881  | 1085   | 1.14  | 1.5    | 8533  | 937          | 1.32  | 1.7    | 7531  | 827    | 1.50  | 1.9          | 6675  | 733    | 1.69  | 2.2    | 5828  | 640          | 1.94  | 1.5    | 8651  | 950    | 0.83  | 1.7          | 7595  | 834    | 0.95  | 1.9    | 6702  | 736          | 1.08  | 2.2    | 5710  | 627          | 1.26  |              |       |        |       |              |       |        |       |        |       |              |       |        |       |       |       |              |       |        |       |        |       |              |       |        |       |       |       |              |       |       |       |        |       |              |       |        |       |       |       |              |       |              |       |        |       |        |       |              |       |              |       |        |       |       |       |              |       |              |       |       |       |       |       |              |       |       |       |       |       |              |       |       |       |       |       |              |       |       |       |       |       |              |       |       |       |       |       |              |       |       |       |       |       |              |       |       |       |       |       |              |       |       |       |       |       |              |       |       |       |       |       |              |       |       |       |       |       |              |       |       |       |       |       |              |       |       |       |       |       |              |       |       |       |       |       |              |       |       |       |       |       |              |       |       |       |       |       |              |       |       |       |       |       |              |       |       |       |       |       |              |       |       |       |       |       |              |       |       |       |       |       |              |       |       |       |       |       |              |       |       |       |       |       |              |       |      |       |      |       |              |       |      |       |      |       |              |       |      |       |      |       |              |       |      |       |              |       |              |       |      |       |              |       |              |       |              |       |              |       |              |       |              |       |      |       |      |       |      |       |      |       |      |       |      |       |      |       |      |       |      |       |      |       |      |       |      |       |      |       |      |       |      |       |      |       |      |       |      |       |      |      |      |       |      |       |      |       |      |       |      |       |      |       |      |       |      |       |      |      |      |      |      |      |     |      |     |      |     |      |     |      |     |      |     |      |     |      |     |      |     |      |     |      |     |      |
| 48            | 205        | 29.11    | 1.83                   | 55           | 180     | 25.54         | 2.1        | 65           | 153                    | 21.66        | 2.5     | 72           | 138   | 19.56        | 2.7  | 44           | 224   | 31.69        | 0.84 | 50           | 198   | 28.09        | 0.95 | 59           | 168   | 23.88        | 1.12 | 68           | 145   | 20.57        | 1.30 | 73           | 136   | 19.27        | 1.38 | 82           | 120   | 17.03        | 1.57 | 98           | 101   | 14.33        | 1.86 | 109          | 91    | 12.87        | 2.1  | 126          | 78    | 11.08        | 2.3  | 134          | 73    | 10.42        | 2.4  | 156          | 63    | 8.97         | 2.6  | 175          | 56    | 8.01         | 2.8  | 206          | 48    | 6.81         | 2.7  | 229          | 43    | 6.11         | 2.9  | 266          | 37    | 5.27         | 3.2  | 283          | 35    | 4.95         | 3.2  | 329          | 30    | 4.26         | 3.4  | 367          | 27    | 3.81         | 3.7  | <b>1.5kW</b> |       |              |      |              |       | <b>1.5kW</b> |      |              |       |              |      | 0.58         | 22102 | 2427         | 0.77 | 0.64         | 19898 | 2185         | 0.85 | 0.72         | 17703 | 1944         | 0.96 | 0.84   | 15244 | 1674         | 1.11 | 1.1    | 11911 | 1308   | 1.42 | 1.2          | 10646 | 1169   | 1.59 | 1.5    | 8679  | 953          | 1.95  | 1.7    | 7695  | 845   | 2.2   | 3.1          | 4062  | 446    | 4.2   | 4.7    | 2741  | 301          | 6.2   | 0.86   | 14744 | 1619   | 0.77  | 1.0          | 12758 | 1401   | 0.88  | 1.1    | 11201 | 1230         | 1.01  | 1.3    | 9881  | 1085   | 1.14  | 1.5          | 8533  | 937    | 1.32  | 1.7    | 7531  | 827          | 1.50  | 1.9    | 6675  | 733    | 1.69  | 2.2          | 5828  | 640    | 1.94  | 1.5    | 8651  | 950          | 0.83  | 1.7    | 7595  | 834    | 0.95  | 1.9          | 6702  | 736    | 1.08  | 2.2    | 5710  | 627          | 1.26  |        |       |              |       |              |       |        |       |              |       |        |       |        |       |              |       |        |       |       |       |              |       |        |       |        |       |              |       |        |       |       |       |              |       |       |       |        |       |              |       |        |       |       |       |              |       |              |       |        |       |        |       |              |       |              |       |        |       |       |       |              |       |              |       |       |       |       |       |              |       |       |       |       |       |              |       |       |       |       |       |              |       |       |       |       |       |              |       |       |       |       |       |              |       |       |       |       |       |              |       |       |       |       |       |              |       |       |       |       |       |              |       |       |       |       |       |              |       |       |       |       |       |              |       |       |       |       |       |              |       |       |       |       |       |              |       |       |       |       |       |              |       |       |       |       |       |              |       |       |       |       |       |              |       |       |       |       |       |              |       |       |       |       |       |              |       |       |       |       |       |              |       |       |       |       |       |              |       |       |       |       |       |              |       |       |       |       |       |              |       |      |       |      |       |              |       |      |       |      |       |              |       |      |       |      |       |              |       |      |       |              |       |              |       |      |       |              |       |              |       |              |       |              |       |              |       |              |       |      |       |      |       |      |       |      |       |      |       |      |       |      |       |      |       |      |       |      |       |      |       |      |       |      |       |      |       |      |       |      |       |      |       |      |       |      |      |      |       |      |       |      |       |      |       |      |       |      |       |      |       |      |       |      |      |      |      |      |      |     |      |     |      |     |      |     |      |     |      |     |      |     |      |     |      |     |      |     |      |     |      |
| 55            | 180        | 25.54    | 2.1                    | 65           | 153     | 21.66         | 2.5        | 72           | 138                    | 19.56        | 2.7     | 44           | 224   | 31.69        | 0.84 | 50           | 198   | 28.09        | 0.95 | 59           | 168   | 23.88        | 1.12 | 68           | 145   | 20.57        | 1.30 | 73           | 136   | 19.27        | 1.38 | 82           | 120   | 17.03        | 1.57 | 98           | 101   | 14.33        | 1.86 | 109          | 91    | 12.87        | 2.1  | 126          | 78    | 11.08        | 2.3  | 134          | 73    | 10.42        | 2.4  | 156          | 63    | 8.97         | 2.6  | 175          | 56    | 8.01         | 2.8  | 206          | 48    | 6.81         | 2.7  | 229          | 43    | 6.11         | 2.9  | 266          | 37    | 5.27         | 3.2  | 283          | 35    | 4.95         | 3.2  | 329          | 30    | 4.26         | 3.4  | 367          | 27    | 3.81         | 3.7  | <b>1.5kW</b> |       |              |      |              |       | <b>1.5kW</b> |      |              |       |              |      | 0.58         | 22102 | 2427         | 0.77 | 0.64         | 19898 | 2185         | 0.85 | 0.72         | 17703 | 1944         | 0.96 | 0.84         | 15244 | 1674         | 1.11 | 1.1    | 11911 | 1308         | 1.42 | 1.2    | 10646 | 1169   | 1.59 | 1.5          | 8679  | 953    | 1.95 | 1.7    | 7695  | 845          | 2.2   | 3.1    | 4062  | 446   | 4.2   | 4.7          | 2741  | 301    | 6.2   | 0.86   | 14744 | 1619         | 0.77  | 1.0    | 12758 | 1401   | 0.88  | 1.1          | 11201 | 1230   | 1.01  | 1.3    | 9881  | 1085         | 1.14  | 1.5    | 8533  | 937    | 1.32  | 1.7          | 7531  | 827    | 1.50  | 1.9    | 6675  | 733          | 1.69  | 2.2    | 5828  | 640    | 1.94  | 1.5          | 8651  | 950    | 0.83  | 1.7    | 7595  | 834          | 0.95  | 1.9    | 6702  | 736    | 1.08  | 2.2          | 5710  | 627    | 1.26  |        |       |              |       |        |       |              |       |              |       |        |       |              |       |        |       |        |       |              |       |        |       |       |       |              |       |        |       |        |       |              |       |        |       |       |       |              |       |       |       |        |       |              |       |        |       |       |       |              |       |              |       |        |       |        |       |              |       |              |       |        |       |       |       |              |       |              |       |       |       |       |       |              |       |       |       |       |       |              |       |       |       |       |       |              |       |       |       |       |       |              |       |       |       |       |       |              |       |       |       |       |       |              |       |       |       |       |       |              |       |       |       |       |       |              |       |       |       |       |       |              |       |       |       |       |       |              |       |       |       |       |       |              |       |       |       |       |       |              |       |       |       |       |       |              |       |       |       |       |       |              |       |       |       |       |       |              |       |       |       |       |       |              |       |       |       |       |       |              |       |       |       |       |       |              |       |       |       |       |       |              |       |       |       |       |       |              |       |       |       |       |       |              |       |      |       |      |       |              |       |      |       |      |       |              |       |      |       |      |       |              |       |      |       |              |       |              |       |      |       |              |       |              |       |              |       |              |       |              |       |              |       |      |       |      |       |      |       |      |       |      |       |      |       |      |       |      |       |      |       |      |       |      |       |      |       |      |       |      |       |      |       |      |       |      |       |      |       |      |      |      |       |      |       |      |       |      |       |      |       |      |       |      |       |      |       |      |      |      |      |      |      |     |      |     |      |     |      |     |      |     |      |     |      |     |      |     |      |     |      |     |      |     |      |
| 65            | 153        | 21.66    | 2.5                    | 72           | 138     | 19.56         | 2.7        | 44           | 224                    | 31.69        | 0.84    | 50           | 198   | 28.09        | 0.95 | 59           | 168   | 23.88        | 1.12 | 68           | 145   | 20.57        | 1.30 | 73           | 136   | 19.27        | 1.38 | 82           | 120   | 17.03        | 1.57 | 98           | 101   | 14.33        | 1.86 | 109          | 91    | 12.87        | 2.1  | 126          | 78    | 11.08        | 2.3  | 134          | 73    | 10.42        | 2.4  | 156          | 63    | 8.97         | 2.6  | 175          | 56    | 8.01         | 2.8  | 206          | 48    | 6.81         | 2.7  | 229          | 43    | 6.11         | 2.9  | 266          | 37    | 5.27         | 3.2  | 283          | 35    | 4.95         | 3.2  | 329          | 30    | 4.26         | 3.4  | 367          | 27    | 3.81         | 3.7  | <b>1.5kW</b> |       |              |      |              |       | <b>1.5kW</b> |      |              |       |              |      | 0.58         | 22102 | 2427         | 0.77 | 0.64         | 19898 | 2185         | 0.85 | 0.72         | 17703 | 1944         | 0.96 | 0.84         | 15244 | 1674         | 1.11 | 1.1          | 11911 | 1308         | 1.42 | 1.2    | 10646 | 1169         | 1.59 | 1.5    | 8679  | 953    | 1.95 | 1.7          | 7695  | 845    | 2.2  | 3.1    | 4062  | 446          | 4.2   | 4.7    | 2741  | 301   | 6.2   | 0.86         | 14744 | 1619   | 0.77  | 1.0    | 12758 | 1401         | 0.88  | 1.1    | 11201 | 1230   | 1.01  | 1.3          | 9881  | 1085   | 1.14  | 1.5    | 8533  | 937          | 1.32  | 1.7    | 7531  | 827    | 1.50  | 1.9          | 6675  | 733    | 1.69  | 2.2    | 5828  | 640          | 1.94  | 1.5    | 8651  | 950    | 0.83  | 1.7          | 7595  | 834    | 0.95  | 1.9    | 6702  | 736          | 1.08  | 2.2    | 5710  | 627    | 1.26  |              |       |        |       |        |       |              |       |        |       |              |       |              |       |        |       |              |       |        |       |        |       |              |       |        |       |       |       |              |       |        |       |        |       |              |       |        |       |       |       |              |       |       |       |        |       |              |       |        |       |       |       |              |       |              |       |        |       |        |       |              |       |              |       |        |       |       |       |              |       |              |       |       |       |       |       |              |       |       |       |       |       |              |       |       |       |       |       |              |       |       |       |       |       |              |       |       |       |       |       |              |       |       |       |       |       |              |       |       |       |       |       |              |       |       |       |       |       |              |       |       |       |       |       |              |       |       |       |       |       |              |       |       |       |       |       |              |       |       |       |       |       |              |       |       |       |       |       |              |       |       |       |       |       |              |       |       |       |       |       |              |       |       |       |       |       |              |       |       |       |       |       |              |       |       |       |       |       |              |       |       |       |       |       |              |       |       |       |       |       |              |       |       |       |       |       |              |       |      |       |      |       |              |       |      |       |      |       |              |       |      |       |      |       |              |       |      |       |              |       |              |       |      |       |              |       |              |       |              |       |              |       |              |       |              |       |      |       |      |       |      |       |      |       |      |       |      |       |      |       |      |       |      |       |      |       |      |       |      |       |      |       |      |       |      |       |      |       |      |       |      |       |      |      |      |       |      |       |      |       |      |       |      |       |      |       |      |       |      |       |      |      |      |      |      |      |     |      |     |      |     |      |     |      |     |      |     |      |     |      |     |      |     |      |     |      |     |      |
| 72            | 138        | 19.56    | 2.7                    | 44           | 224     | 31.69         | 0.84       | 50           | 198                    | 28.09        | 0.95    | 59           | 168   | 23.88        | 1.12 | 68           | 145   | 20.57        | 1.30 | 73           | 136   | 19.27        | 1.38 | 82           | 120   | 17.03        | 1.57 | 98           | 101   | 14.33        | 1.86 | 109          | 91    | 12.87        | 2.1  | 126          | 78    | 11.08        | 2.3  | 134          | 73    | 10.42        | 2.4  | 156          | 63    | 8.97         | 2.6  | 175          | 56    | 8.01         | 2.8  | 206          | 48    | 6.81         | 2.7  | 229          | 43    | 6.11         | 2.9  | 266          | 37    | 5.27         | 3.2  | 283          | 35    | 4.95         | 3.2  | 329          | 30    | 4.26         | 3.4  | 367          | 27    | 3.81         | 3.7  | <b>1.5kW</b> |       |              |      |              |       | <b>1.5kW</b> |      |              |       |              |      | 0.58         | 22102 | 2427         | 0.77 | 0.64         | 19898 | 2185         | 0.85 | 0.72         | 17703 | 1944         | 0.96 | 0.84         | 15244 | 1674         | 1.11 | 1.1          | 11911 | 1308         | 1.42 | 1.2          | 10646 | 1169         | 1.59 | 1.5    | 8679  | 953          | 1.95 | 1.7    | 7695  | 845    | 2.2  | 3.1          | 4062  | 446    | 4.2  | 4.7    | 2741  | 301          | 6.2   | 0.86   | 14744 | 1619  | 0.77  | 1.0          | 12758 | 1401   | 0.88  | 1.1    | 11201 | 1230         | 1.01  | 1.3    | 9881  | 1085   | 1.14  | 1.5          | 8533  | 937    | 1.32  | 1.7    | 7531  | 827          | 1.50  | 1.9    | 6675  | 733    | 1.69  | 2.2          | 5828  | 640    | 1.94  | 1.5    | 8651  | 950          | 0.83  | 1.7    | 7595  | 834    | 0.95  | 1.9          | 6702  | 736    | 1.08  | 2.2    | 5710  | 627          | 1.26  |        |       |        |       |              |       |        |       |        |       |              |       |        |       |              |       |              |       |        |       |              |       |        |       |        |       |              |       |        |       |       |       |              |       |        |       |        |       |              |       |        |       |       |       |              |       |       |       |        |       |              |       |        |       |       |       |              |       |              |       |        |       |        |       |              |       |              |       |        |       |       |       |              |       |              |       |       |       |       |       |              |       |       |       |       |       |              |       |       |       |       |       |              |       |       |       |       |       |              |       |       |       |       |       |              |       |       |       |       |       |              |       |       |       |       |       |              |       |       |       |       |       |              |       |       |       |       |       |              |       |       |       |       |       |              |       |       |       |       |       |              |       |       |       |       |       |              |       |       |       |       |       |              |       |       |       |       |       |              |       |       |       |       |       |              |       |       |       |       |       |              |       |       |       |       |       |              |       |       |       |       |       |              |       |       |       |       |       |              |       |       |       |       |       |              |       |       |       |       |       |              |       |      |       |      |       |              |       |      |       |      |       |              |       |      |       |      |       |              |       |      |       |              |       |              |       |      |       |              |       |              |       |              |       |              |       |              |       |              |       |      |       |      |       |      |       |      |       |      |       |      |       |      |       |      |       |      |       |      |       |      |       |      |       |      |       |      |       |      |       |      |       |      |       |      |       |      |      |      |       |      |       |      |       |      |       |      |       |      |       |      |       |      |       |      |      |      |      |      |      |     |      |     |      |     |      |     |      |     |      |     |      |     |      |     |      |     |      |     |      |     |      |
| 44            | 224        | 31.69    | 0.84                   | 50           | 198     | 28.09         | 0.95       | 59           | 168                    | 23.88        | 1.12    | 68           | 145   | 20.57        | 1.30 | 73           | 136   | 19.27        | 1.38 | 82           | 120   | 17.03        | 1.57 | 98           | 101   | 14.33        | 1.86 | 109          | 91    | 12.87        | 2.1  | 126          | 78    | 11.08        | 2.3  | 134          | 73    | 10.42        | 2.4  | 156          | 63    | 8.97         | 2.6  | 175          | 56    | 8.01         | 2.8  | 206          | 48    | 6.81         | 2.7  | 229          | 43    | 6.11         | 2.9  | 266          | 37    | 5.27         | 3.2  | 283          | 35    | 4.95         | 3.2  | 329          | 30    | 4.26         | 3.4  | 367          | 27    | 3.81         | 3.7  | <b>1.5kW</b> |       |              |      |              |       | <b>1.5kW</b> |      |              |       |              |      | 0.58         | 22102 | 2427         | 0.77 | 0.64         | 19898 | 2185         | 0.85 | 0.72         | 17703 | 1944         | 0.96 | 0.84         | 15244 | 1674         | 1.11 | 1.1          | 11911 | 1308         | 1.42 | 1.2          | 10646 | 1169         | 1.59 | 1.5          | 8679  | 953          | 1.95 | 1.7    | 7695  | 845          | 2.2  | 3.1    | 4062  | 446    | 4.2  | 4.7          | 2741  | 301    | 6.2  | 0.86   | 14744 | 1619         | 0.77  | 1.0    | 12758 | 1401  | 0.88  | 1.1          | 11201 | 1230   | 1.01  | 1.3    | 9881  | 1085         | 1.14  | 1.5    | 8533  | 937    | 1.32  | 1.7          | 7531  | 827    | 1.50  | 1.9    | 6675  | 733          | 1.69  | 2.2    | 5828  | 640    | 1.94  | 1.5          | 8651  | 950    | 0.83  | 1.7    | 7595  | 834          | 0.95  | 1.9    | 6702  | 736    | 1.08  | 2.2          | 5710  | 627    | 1.26  |        |       |              |       |        |       |        |       |              |       |        |       |        |       |              |       |        |       |              |       |              |       |        |       |              |       |        |       |        |       |              |       |        |       |       |       |              |       |        |       |        |       |              |       |        |       |       |       |              |       |       |       |        |       |              |       |        |       |       |       |              |       |              |       |        |       |        |       |              |       |              |       |        |       |       |       |              |       |              |       |       |       |       |       |              |       |       |       |       |       |              |       |       |       |       |       |              |       |       |       |       |       |              |       |       |       |       |       |              |       |       |       |       |       |              |       |       |       |       |       |              |       |       |       |       |       |              |       |       |       |       |       |              |       |       |       |       |       |              |       |       |       |       |       |              |       |       |       |       |       |              |       |       |       |       |       |              |       |       |       |       |       |              |       |       |       |       |       |              |       |       |       |       |       |              |       |       |       |       |       |              |       |       |       |       |       |              |       |       |       |       |       |              |       |       |       |       |       |              |       |       |       |       |       |              |       |      |       |      |       |              |       |      |       |      |       |              |       |      |       |      |       |              |       |      |       |              |       |              |       |      |       |              |       |              |       |              |       |              |       |              |       |              |       |      |       |      |       |      |       |      |       |      |       |      |       |      |       |      |       |      |       |      |       |      |       |      |       |      |       |      |       |      |       |      |       |      |       |      |       |      |      |      |       |      |       |      |       |      |       |      |       |      |       |      |       |      |       |      |      |      |      |      |      |     |      |     |      |     |      |     |      |     |      |     |      |     |      |     |      |     |      |     |      |     |      |
| 50            | 198        | 28.09    | 0.95                   | 59           | 168     | 23.88         | 1.12       | 68           | 145                    | 20.57        | 1.30    | 73           | 136   | 19.27        | 1.38 | 82           | 120   | 17.03        | 1.57 | 98           | 101   | 14.33        | 1.86 | 109          | 91    | 12.87        | 2.1  | 126          | 78    | 11.08        | 2.3  | 134          | 73    | 10.42        | 2.4  | 156          | 63    | 8.97         | 2.6  | 175          | 56    | 8.01         | 2.8  | 206          | 48    | 6.81         | 2.7  | 229          | 43    | 6.11         | 2.9  | 266          | 37    | 5.27         | 3.2  | 283          | 35    | 4.95         | 3.2  | 329          | 30    | 4.26         | 3.4  | 367          | 27    | 3.81         | 3.7  | <b>1.5kW</b> |       |              |      |              |       | <b>1.5kW</b> |      |              |       |              |      | 0.58         | 22102 | 2427         | 0.77 | 0.64         | 19898 | 2185         | 0.85 | 0.72         | 17703 | 1944         | 0.96 | 0.84         | 15244 | 1674         | 1.11 | 1.1          | 11911 | 1308         | 1.42 | 1.2          | 10646 | 1169         | 1.59 | 1.5          | 8679  | 953          | 1.95 | 1.7          | 7695  | 845          | 2.2  | 3.1    | 4062  | 446          | 4.2  | 4.7    | 2741  | 301    | 6.2  | 0.86         | 14744 | 1619   | 0.77 | 1.0    | 12758 | 1401         | 0.88  | 1.1    | 11201 | 1230  | 1.01  | 1.3          | 9881  | 1085   | 1.14  | 1.5    | 8533  | 937          | 1.32  | 1.7    | 7531  | 827    | 1.50  | 1.9          | 6675  | 733    | 1.69  | 2.2    | 5828  | 640          | 1.94  | 1.5    | 8651  | 950    | 0.83  | 1.7          | 7595  | 834    | 0.95  | 1.9    | 6702  | 736          | 1.08  | 2.2    | 5710  | 627    | 1.26  |              |       |        |       |        |       |              |       |        |       |        |       |              |       |        |       |        |       |              |       |        |       |              |       |              |       |        |       |              |       |        |       |        |       |              |       |        |       |       |       |              |       |        |       |        |       |              |       |        |       |       |       |              |       |       |       |        |       |              |       |        |       |       |       |              |       |              |       |        |       |        |       |              |       |              |       |        |       |       |       |              |       |              |       |       |       |       |       |              |       |       |       |       |       |              |       |       |       |       |       |              |       |       |       |       |       |              |       |       |       |       |       |              |       |       |       |       |       |              |       |       |       |       |       |              |       |       |       |       |       |              |       |       |       |       |       |              |       |       |       |       |       |              |       |       |       |       |       |              |       |       |       |       |       |              |       |       |       |       |       |              |       |       |       |       |       |              |       |       |       |       |       |              |       |       |       |       |       |              |       |       |       |       |       |              |       |       |       |       |       |              |       |       |       |       |       |              |       |       |       |       |       |              |       |       |       |       |       |              |       |      |       |      |       |              |       |      |       |      |       |              |       |      |       |      |       |              |       |      |       |              |       |              |       |      |       |              |       |              |       |              |       |              |       |              |       |              |       |      |       |      |       |      |       |      |       |      |       |      |       |      |       |      |       |      |       |      |       |      |       |      |       |      |       |      |       |      |       |      |       |      |       |      |       |      |      |      |       |      |       |      |       |      |       |      |       |      |       |      |       |      |       |      |      |      |      |      |      |     |      |     |      |     |      |     |      |     |      |     |      |     |      |     |      |     |      |     |      |     |      |
| 59            | 168        | 23.88    | 1.12                   | 68           | 145     | 20.57         | 1.30       | 73           | 136                    | 19.27        | 1.38    | 82           | 120   | 17.03        | 1.57 | 98           | 101   | 14.33        | 1.86 | 109          | 91    | 12.87        | 2.1  | 126          | 78    | 11.08        | 2.3  | 134          | 73    | 10.42        | 2.4  | 156          | 63    | 8.97         | 2.6  | 175          | 56    | 8.01         | 2.8  | 206          | 48    | 6.81         | 2.7  | 229          | 43    | 6.11         | 2.9  | 266          | 37    | 5.27         | 3.2  | 283          | 35    | 4.95         | 3.2  | 329          | 30    | 4.26         | 3.4  | 367          | 27    | 3.81         | 3.7  | <b>1.5kW</b> |       |              |      |              |       | <b>1.5kW</b> |      |              |       |              |      | 0.58         | 22102 | 2427         | 0.77 | 0.64         | 19898 | 2185         | 0.85 | 0.72         | 17703 | 1944         | 0.96 | 0.84         | 15244 | 1674         | 1.11 | 1.1          | 11911 | 1308         | 1.42 | 1.2          | 10646 | 1169         | 1.59 | 1.5          | 8679  | 953          | 1.95 | 1.7          | 7695  | 845          | 2.2  | 3.1          | 4062  | 446          | 4.2  | 4.7    | 2741  | 301          | 6.2  | 0.86   | 14744 | 1619   | 0.77 | 1.0          | 12758 | 1401   | 0.88 | 1.1    | 11201 | 1230         | 1.01  | 1.3    | 9881  | 1085  | 1.14  | 1.5          | 8533  | 937    | 1.32  | 1.7    | 7531  | 827          | 1.50  | 1.9    | 6675  | 733    | 1.69  | 2.2          | 5828  | 640    | 1.94  | 1.5    | 8651  | 950          | 0.83  | 1.7    | 7595  | 834    | 0.95  | 1.9          | 6702  | 736    | 1.08  | 2.2    | 5710  | 627          | 1.26  |        |       |        |       |              |       |        |       |        |       |              |       |        |       |        |       |              |       |        |       |        |       |              |       |        |       |              |       |              |       |        |       |              |       |        |       |        |       |              |       |        |       |       |       |              |       |        |       |        |       |              |       |        |       |       |       |              |       |       |       |        |       |              |       |        |       |       |       |              |       |              |       |        |       |        |       |              |       |              |       |        |       |       |       |              |       |              |       |       |       |       |       |              |       |       |       |       |       |              |       |       |       |       |       |              |       |       |       |       |       |              |       |       |       |       |       |              |       |       |       |       |       |              |       |       |       |       |       |              |       |       |       |       |       |              |       |       |       |       |       |              |       |       |       |       |       |              |       |       |       |       |       |              |       |       |       |       |       |              |       |       |       |       |       |              |       |       |       |       |       |              |       |       |       |       |       |              |       |       |       |       |       |              |       |       |       |       |       |              |       |       |       |       |       |              |       |       |       |       |       |              |       |       |       |       |       |              |       |       |       |       |       |              |       |      |       |      |       |              |       |      |       |      |       |              |       |      |       |      |       |              |       |      |       |              |       |              |       |      |       |              |       |              |       |              |       |              |       |              |       |              |       |      |       |      |       |      |       |      |       |      |       |      |       |      |       |      |       |      |       |      |       |      |       |      |       |      |       |      |       |      |       |      |       |      |       |      |       |      |      |      |       |      |       |      |       |      |       |      |       |      |       |      |       |      |       |      |      |      |      |      |      |     |      |     |      |     |      |     |      |     |      |     |      |     |      |     |      |     |      |     |      |     |      |
| 68            | 145        | 20.57    | 1.30                   | 73           | 136     | 19.27         | 1.38       | 82           | 120                    | 17.03        | 1.57    | 98           | 101   | 14.33        | 1.86 | 109          | 91    | 12.87        | 2.1  | 126          | 78    | 11.08        | 2.3  | 134          | 73    | 10.42        | 2.4  | 156          | 63    | 8.97         | 2.6  | 175          | 56    | 8.01         | 2.8  | 206          | 48    | 6.81         | 2.7  | 229          | 43    | 6.11         | 2.9  | 266          | 37    | 5.27         | 3.2  | 283          | 35    | 4.95         | 3.2  | 329          | 30    | 4.26         | 3.4  | 367          | 27    | 3.81         | 3.7  | <b>1.5kW</b> |       |              |      |              |       | <b>1.5kW</b> |      |              |       |              |      | 0.58         | 22102 | 2427         | 0.77 | 0.64         | 19898 | 2185         | 0.85 | 0.72         | 17703 | 1944         | 0.96 | 0.84         | 15244 | 1674         | 1.11 | 1.1          | 11911 | 1308         | 1.42 | 1.2          | 10646 | 1169         | 1.59 | 1.5          | 8679  | 953          | 1.95 | 1.7          | 7695  | 845          | 2.2  | 3.1          | 4062  | 446          | 4.2  | 4.7          | 2741  | 301          | 6.2  | 0.86   | 14744 | 1619         | 0.77 | 1.0    | 12758 | 1401   | 0.88 | 1.1          | 11201 | 1230   | 1.01 | 1.3    | 9881  | 1085         | 1.14  | 1.5    | 8533  | 937   | 1.32  | 1.7          | 7531  | 827    | 1.50  | 1.9    | 6675  | 733          | 1.69  | 2.2    | 5828  | 640    | 1.94  | 1.5          | 8651  | 950    | 0.83  | 1.7    | 7595  | 834          | 0.95  | 1.9    | 6702  | 736    | 1.08  | 2.2          | 5710  | 627    | 1.26  |        |       |              |       |        |       |        |       |              |       |        |       |        |       |              |       |        |       |        |       |              |       |        |       |        |       |              |       |        |       |              |       |              |       |        |       |              |       |        |       |        |       |              |       |        |       |       |       |              |       |        |       |        |       |              |       |        |       |       |       |              |       |       |       |        |       |              |       |        |       |       |       |              |       |              |       |        |       |        |       |              |       |              |       |        |       |       |       |              |       |              |       |       |       |       |       |              |       |       |       |       |       |              |       |       |       |       |       |              |       |       |       |       |       |              |       |       |       |       |       |              |       |       |       |       |       |              |       |       |       |       |       |              |       |       |       |       |       |              |       |       |       |       |       |              |       |       |       |       |       |              |       |       |       |       |       |              |       |       |       |       |       |              |       |       |       |       |       |              |       |       |       |       |       |              |       |       |       |       |       |              |       |       |       |       |       |              |       |       |       |       |       |              |       |       |       |       |       |              |       |       |       |       |       |              |       |       |       |       |       |              |       |       |       |       |       |              |       |      |       |      |       |              |       |      |       |      |       |              |       |      |       |      |       |              |       |      |       |              |       |              |       |      |       |              |       |              |       |              |       |              |       |              |       |              |       |      |       |      |       |      |       |      |       |      |       |      |       |      |       |      |       |      |       |      |       |      |       |      |       |      |       |      |       |      |       |      |       |      |       |      |       |      |      |      |       |      |       |      |       |      |       |      |       |      |       |      |       |      |       |      |      |      |      |      |      |     |      |     |      |     |      |     |      |     |      |     |      |     |      |     |      |     |      |     |      |     |      |
| 73            | 136        | 19.27    | 1.38                   | 82           | 120     | 17.03         | 1.57       | 98           | 101                    | 14.33        | 1.86    | 109          | 91    | 12.87        | 2.1  | 126          | 78    | 11.08        | 2.3  | 134          | 73    | 10.42        | 2.4  | 156          | 63    | 8.97         | 2.6  | 175          | 56    | 8.01         | 2.8  | 206          | 48    | 6.81         | 2.7  | 229          | 43    | 6.11         | 2.9  | 266          | 37    | 5.27         | 3.2  | 283          | 35    | 4.95         | 3.2  | 329          | 30    | 4.26         | 3.4  | 367          | 27    | 3.81         | 3.7  | <b>1.5kW</b> |       |              |      |              |       | <b>1.5kW</b> |      |              |       |              |      | 0.58         | 22102 | 2427         | 0.77 | 0.64         | 19898 | 2185         | 0.85 | 0.72         | 17703 | 1944         | 0.96 | 0.84         | 15244 | 1674         | 1.11 | 1.1          | 11911 | 1308         | 1.42 | 1.2          | 10646 | 1169         | 1.59 | 1.5          | 8679  | 953          | 1.95 | 1.7          | 7695  | 845          | 2.2  | 3.1          | 4062  | 446          | 4.2  | 4.7          | 2741  | 301          | 6.2  | 0.86         | 14744 | 1619         | 0.77 | 1.0    | 12758 | 1401         | 0.88 | 1.1    | 11201 | 1230   | 1.01 | 1.3          | 9881  | 1085   | 1.14 | 1.5    | 8533  | 937          | 1.32  | 1.7    | 7531  | 827   | 1.50  | 1.9          | 6675  | 733    | 1.69  | 2.2    | 5828  | 640          | 1.94  | 1.5    | 8651  | 950    | 0.83  | 1.7          | 7595  | 834    | 0.95  | 1.9    | 6702  | 736          | 1.08  | 2.2    | 5710  | 627    | 1.26  |              |       |        |       |        |       |              |       |        |       |        |       |              |       |        |       |        |       |              |       |        |       |        |       |              |       |        |       |        |       |              |       |        |       |              |       |              |       |        |       |              |       |        |       |        |       |              |       |        |       |       |       |              |       |        |       |        |       |              |       |        |       |       |       |              |       |       |       |        |       |              |       |        |       |       |       |              |       |              |       |        |       |        |       |              |       |              |       |        |       |       |       |              |       |              |       |       |       |       |       |              |       |       |       |       |       |              |       |       |       |       |       |              |       |       |       |       |       |              |       |       |       |       |       |              |       |       |       |       |       |              |       |       |       |       |       |              |       |       |       |       |       |              |       |       |       |       |       |              |       |       |       |       |       |              |       |       |       |       |       |              |       |       |       |       |       |              |       |       |       |       |       |              |       |       |       |       |       |              |       |       |       |       |       |              |       |       |       |       |       |              |       |       |       |       |       |              |       |       |       |       |       |              |       |       |       |       |       |              |       |       |       |       |       |              |       |       |       |       |       |              |       |      |       |      |       |              |       |      |       |      |       |              |       |      |       |      |       |              |       |      |       |              |       |              |       |      |       |              |       |              |       |              |       |              |       |              |       |              |       |      |       |      |       |      |       |      |       |      |       |      |       |      |       |      |       |      |       |      |       |      |       |      |       |      |       |      |       |      |       |      |       |      |       |      |       |      |      |      |       |      |       |      |       |      |       |      |       |      |       |      |       |      |       |      |      |      |      |      |      |     |      |     |      |     |      |     |      |     |      |     |      |     |      |     |      |     |      |     |      |     |      |
| 82            | 120        | 17.03    | 1.57                   | 98           | 101     | 14.33         | 1.86       | 109          | 91                     | 12.87        | 2.1     | 126          | 78    | 11.08        | 2.3  | 134          | 73    | 10.42        | 2.4  | 156          | 63    | 8.97         | 2.6  | 175          | 56    | 8.01         | 2.8  | 206          | 48    | 6.81         | 2.7  | 229          | 43    | 6.11         | 2.9  | 266          | 37    | 5.27         | 3.2  | 283          | 35    | 4.95         | 3.2  | 329          | 30    | 4.26         | 3.4  | 367          | 27    | 3.81         | 3.7  | <b>1.5kW</b> |       |              |      |              |       | <b>1.5kW</b> |      |              |       |              |      | 0.58         | 22102 | 2427         | 0.77 | 0.64         | 19898 | 2185         | 0.85 | 0.72         | 17703 | 1944         | 0.96 | 0.84         | 15244 | 1674         | 1.11 | 1.1          | 11911 | 1308         | 1.42 | 1.2          | 10646 | 1169         | 1.59 | 1.5          | 8679  | 953          | 1.95 | 1.7          | 7695  | 845          | 2.2  | 3.1          | 4062  | 446          | 4.2  | 4.7          | 2741  | 301          | 6.2  | 0.86         | 14744 | 1619         | 0.77 | 1.0          | 12758 | 1401         | 0.88 | 1.1    | 11201 | 1230         | 1.01 | 1.3    | 9881  | 1085   | 1.14 | 1.5          | 8533  | 937    | 1.32 | 1.7    | 7531  | 827          | 1.50  | 1.9    | 6675  | 733   | 1.69  | 2.2          | 5828  | 640    | 1.94  | 1.5    | 8651  | 950          | 0.83  | 1.7    | 7595  | 834    | 0.95  | 1.9          | 6702  | 736    | 1.08  | 2.2    | 5710  | 627          | 1.26  |        |       |        |       |              |       |        |       |        |       |              |       |        |       |        |       |              |       |        |       |        |       |              |       |        |       |        |       |              |       |        |       |        |       |              |       |        |       |              |       |              |       |        |       |              |       |        |       |        |       |              |       |        |       |       |       |              |       |        |       |        |       |              |       |        |       |       |       |              |       |       |       |        |       |              |       |        |       |       |       |              |       |              |       |        |       |        |       |              |       |              |       |        |       |       |       |              |       |              |       |       |       |       |       |              |       |       |       |       |       |              |       |       |       |       |       |              |       |       |       |       |       |              |       |       |       |       |       |              |       |       |       |       |       |              |       |       |       |       |       |              |       |       |       |       |       |              |       |       |       |       |       |              |       |       |       |       |       |              |       |       |       |       |       |              |       |       |       |       |       |              |       |       |       |       |       |              |       |       |       |       |       |              |       |       |       |       |       |              |       |       |       |       |       |              |       |       |       |       |       |              |       |       |       |       |       |              |       |       |       |       |       |              |       |       |       |       |       |              |       |       |       |       |       |              |       |      |       |      |       |              |       |      |       |      |       |              |       |      |       |      |       |              |       |      |       |              |       |              |       |      |       |              |       |              |       |              |       |              |       |              |       |              |       |      |       |      |       |      |       |      |       |      |       |      |       |      |       |      |       |      |       |      |       |      |       |      |       |      |       |      |       |      |       |      |       |      |       |      |       |      |      |      |       |      |       |      |       |      |       |      |       |      |       |      |       |      |       |      |      |      |      |      |      |     |      |     |      |     |      |     |      |     |      |     |      |     |      |     |      |     |      |     |      |     |      |
| 98            | 101        | 14.33    | 1.86                   | 109          | 91      | 12.87         | 2.1        | 126          | 78                     | 11.08        | 2.3     | 134          | 73    | 10.42        | 2.4  | 156          | 63    | 8.97         | 2.6  | 175          | 56    | 8.01         | 2.8  | 206          | 48    | 6.81         | 2.7  | 229          | 43    | 6.11         | 2.9  | 266          | 37    | 5.27         | 3.2  | 283          | 35    | 4.95         | 3.2  | 329          | 30    | 4.26         | 3.4  | 367          | 27    | 3.81         | 3.7  | <b>1.5kW</b> |       |              |      |              |       | <b>1.5kW</b> |      |              |       |              |      | 0.58         | 22102 | 2427         | 0.77 | 0.64         | 19898 | 2185         | 0.85 | 0.72         | 17703 | 1944         | 0.96 | 0.84         | 15244 | 1674         | 1.11 | 1.1          | 11911 | 1308         | 1.42 | 1.2          | 10646 | 1169         | 1.59 | 1.5          | 8679  | 953          | 1.95 | 1.7          | 7695  | 845          | 2.2  | 3.1          | 4062  | 446          | 4.2  | 4.7          | 2741  | 301          | 6.2  | 0.86         | 14744 | 1619         | 0.77 | 1.0          | 12758 | 1401         | 0.88 | 1.1          | 11201 | 1230         | 1.01 | 1.3    | 9881  | 1085         | 1.14 | 1.5    | 8533  | 937    | 1.32 | 1.7          | 7531  | 827    | 1.50 | 1.9    | 6675  | 733          | 1.69  | 2.2    | 5828  | 640   | 1.94  | 1.5          | 8651  | 950    | 0.83  | 1.7    | 7595  | 834          | 0.95  | 1.9    | 6702  | 736    | 1.08  | 2.2          | 5710  | 627    | 1.26  |        |       |              |       |        |       |        |       |              |       |        |       |        |       |              |       |        |       |        |       |              |       |        |       |        |       |              |       |        |       |        |       |              |       |        |       |        |       |              |       |        |       |              |       |              |       |        |       |              |       |        |       |        |       |              |       |        |       |       |       |              |       |        |       |        |       |              |       |        |       |       |       |              |       |       |       |        |       |              |       |        |       |       |       |              |       |              |       |        |       |        |       |              |       |              |       |        |       |       |       |              |       |              |       |       |       |       |       |              |       |       |       |       |       |              |       |       |       |       |       |              |       |       |       |       |       |              |       |       |       |       |       |              |       |       |       |       |       |              |       |       |       |       |       |              |       |       |       |       |       |              |       |       |       |       |       |              |       |       |       |       |       |              |       |       |       |       |       |              |       |       |       |       |       |              |       |       |       |       |       |              |       |       |       |       |       |              |       |       |       |       |       |              |       |       |       |       |       |              |       |       |       |       |       |              |       |       |       |       |       |              |       |       |       |       |       |              |       |       |       |       |       |              |       |       |       |       |       |              |       |      |       |      |       |              |       |      |       |      |       |              |       |      |       |      |       |              |       |      |       |              |       |              |       |      |       |              |       |              |       |              |       |              |       |              |       |              |       |      |       |      |       |      |       |      |       |      |       |      |       |      |       |      |       |      |       |      |       |      |       |      |       |      |       |      |       |      |       |      |       |      |       |      |       |      |      |      |       |      |       |      |       |      |       |      |       |      |       |      |       |      |       |      |      |      |      |      |      |     |      |     |      |     |      |     |      |     |      |     |      |     |      |     |      |     |      |     |      |     |      |
| 109           | 91         | 12.87    | 2.1                    | 126          | 78      | 11.08         | 2.3        | 134          | 73                     | 10.42        | 2.4     | 156          | 63    | 8.97         | 2.6  | 175          | 56    | 8.01         | 2.8  | 206          | 48    | 6.81         | 2.7  | 229          | 43    | 6.11         | 2.9  | 266          | 37    | 5.27         | 3.2  | 283          | 35    | 4.95         | 3.2  | 329          | 30    | 4.26         | 3.4  | 367          | 27    | 3.81         | 3.7  | <b>1.5kW</b> |       |              |      |              |       | <b>1.5kW</b> |      |              |       |              |      | 0.58         | 22102 | 2427         | 0.77 | 0.64         | 19898 | 2185         | 0.85 | 0.72         | 17703 | 1944         | 0.96 | 0.84         | 15244 | 1674         | 1.11 | 1.1          | 11911 | 1308         | 1.42 | 1.2          | 10646 | 1169         | 1.59 | 1.5          | 8679  | 953          | 1.95 | 1.7          | 7695  | 845          | 2.2  | 3.1          | 4062  | 446          | 4.2  | 4.7          | 2741  | 301          | 6.2  | 0.86         | 14744 | 1619         | 0.77 | 1.0          | 12758 | 1401         | 0.88 | 1.1          | 11201 | 1230         | 1.01 | 1.3          | 9881  | 1085         | 1.14 | 1.5    | 8533  | 937          | 1.32 | 1.7    | 7531  | 827    | 1.50 | 1.9          | 6675  | 733    | 1.69 | 2.2    | 5828  | 640          | 1.94  | 1.5    | 8651  | 950   | 0.83  | 1.7          | 7595  | 834    | 0.95  | 1.9    | 6702  | 736          | 1.08  | 2.2    | 5710  | 627    | 1.26  |              |       |        |       |        |       |              |       |        |       |        |       |              |       |        |       |        |       |              |       |        |       |        |       |              |       |        |       |        |       |              |       |        |       |        |       |              |       |        |       |        |       |              |       |        |       |              |       |              |       |        |       |              |       |        |       |        |       |              |       |        |       |       |       |              |       |        |       |        |       |              |       |        |       |       |       |              |       |       |       |        |       |              |       |        |       |       |       |              |       |              |       |        |       |        |       |              |       |              |       |        |       |       |       |              |       |              |       |       |       |       |       |              |       |       |       |       |       |              |       |       |       |       |       |              |       |       |       |       |       |              |       |       |       |       |       |              |       |       |       |       |       |              |       |       |       |       |       |              |       |       |       |       |       |              |       |       |       |       |       |              |       |       |       |       |       |              |       |       |       |       |       |              |       |       |       |       |       |              |       |       |       |       |       |              |       |       |       |       |       |              |       |       |       |       |       |              |       |       |       |       |       |              |       |       |       |       |       |              |       |       |       |       |       |              |       |       |       |       |       |              |       |       |       |       |       |              |       |       |       |       |       |              |       |      |       |      |       |              |       |      |       |      |       |              |       |      |       |      |       |              |       |      |       |              |       |              |       |      |       |              |       |              |       |              |       |              |       |              |       |              |       |      |       |      |       |      |       |      |       |      |       |      |       |      |       |      |       |      |       |      |       |      |       |      |       |      |       |      |       |      |       |      |       |      |       |      |       |      |      |      |       |      |       |      |       |      |       |      |       |      |       |      |       |      |       |      |      |      |      |      |      |     |      |     |      |     |      |     |      |     |      |     |      |     |      |     |      |     |      |     |      |     |      |
| 126           | 78         | 11.08    | 2.3                    | 134          | 73      | 10.42         | 2.4        | 156          | 63                     | 8.97         | 2.6     | 175          | 56    | 8.01         | 2.8  | 206          | 48    | 6.81         | 2.7  | 229          | 43    | 6.11         | 2.9  | 266          | 37    | 5.27         | 3.2  | 283          | 35    | 4.95         | 3.2  | 329          | 30    | 4.26         | 3.4  | 367          | 27    | 3.81         | 3.7  | <b>1.5kW</b> |       |              |      |              |       | <b>1.5kW</b> |      |              |       |              |      | 0.58         | 22102 | 2427         | 0.77 | 0.64         | 19898 | 2185         | 0.85 | 0.72         | 17703 | 1944         | 0.96 | 0.84         | 15244 | 1674         | 1.11 | 1.1          | 11911 | 1308         | 1.42 | 1.2          | 10646 | 1169         | 1.59 | 1.5          | 8679  | 953          | 1.95 | 1.7          | 7695  | 845          | 2.2  | 3.1          | 4062  | 446          | 4.2  | 4.7          | 2741  | 301          | 6.2  | 0.86         | 14744 | 1619         | 0.77 | 1.0          | 12758 | 1401         | 0.88 | 1.1          | 11201 | 1230         | 1.01 | 1.3          | 9881  | 1085         | 1.14 | 1.5          | 8533  | 937          | 1.32 | 1.7    | 7531  | 827          | 1.50 | 1.9    | 6675  | 733    | 1.69 | 2.2          | 5828  | 640    | 1.94 | 1.5    | 8651  | 950          | 0.83  | 1.7    | 7595  | 834   | 0.95  | 1.9          | 6702  | 736    | 1.08  | 2.2    | 5710  | 627          | 1.26  |        |       |        |       |              |       |        |       |        |       |              |       |        |       |        |       |              |       |        |       |        |       |              |       |        |       |        |       |              |       |        |       |        |       |              |       |        |       |        |       |              |       |        |       |        |       |              |       |        |       |              |       |              |       |        |       |              |       |        |       |        |       |              |       |        |       |       |       |              |       |        |       |        |       |              |       |        |       |       |       |              |       |       |       |        |       |              |       |        |       |       |       |              |       |              |       |        |       |        |       |              |       |              |       |        |       |       |       |              |       |              |       |       |       |       |       |              |       |       |       |       |       |              |       |       |       |       |       |              |       |       |       |       |       |              |       |       |       |       |       |              |       |       |       |       |       |              |       |       |       |       |       |              |       |       |       |       |       |              |       |       |       |       |       |              |       |       |       |       |       |              |       |       |       |       |       |              |       |       |       |       |       |              |       |       |       |       |       |              |       |       |       |       |       |              |       |       |       |       |       |              |       |       |       |       |       |              |       |       |       |       |       |              |       |       |       |       |       |              |       |       |       |       |       |              |       |       |       |       |       |              |       |       |       |       |       |              |       |      |       |      |       |              |       |      |       |      |       |              |       |      |       |      |       |              |       |      |       |              |       |              |       |      |       |              |       |              |       |              |       |              |       |              |       |              |       |      |       |      |       |      |       |      |       |      |       |      |       |      |       |      |       |      |       |      |       |      |       |      |       |      |       |      |       |      |       |      |       |      |       |      |       |      |      |      |       |      |       |      |       |      |       |      |       |      |       |      |       |      |       |      |      |      |      |      |      |     |      |     |      |     |      |     |      |     |      |     |      |     |      |     |      |     |      |     |      |     |      |
| 134           | 73         | 10.42    | 2.4                    | 156          | 63      | 8.97          | 2.6        | 175          | 56                     | 8.01         | 2.8     | 206          | 48    | 6.81         | 2.7  | 229          | 43    | 6.11         | 2.9  | 266          | 37    | 5.27         | 3.2  | 283          | 35    | 4.95         | 3.2  | 329          | 30    | 4.26         | 3.4  | 367          | 27    | 3.81         | 3.7  | <b>1.5kW</b> |       |              |      |              |       | <b>1.5kW</b> |      |              |       |              |      | 0.58         | 22102 | 2427         | 0.77 | 0.64         | 19898 | 2185         | 0.85 | 0.72         | 17703 | 1944         | 0.96 | 0.84         | 15244 | 1674         | 1.11 | 1.1          | 11911 | 1308         | 1.42 | 1.2          | 10646 | 1169         | 1.59 | 1.5          | 8679  | 953          | 1.95 | 1.7          | 7695  | 845          | 2.2  | 3.1          | 4062  | 446          | 4.2  | 4.7          | 2741  | 301          | 6.2  | 0.86         | 14744 | 1619         | 0.77 | 1.0          | 12758 | 1401         | 0.88 | 1.1          | 11201 | 1230         | 1.01 | 1.3          | 9881  | 1085         | 1.14 | 1.5          | 8533  | 937          | 1.32 | 1.7          | 7531  | 827          | 1.50 | 1.9    | 6675  | 733          | 1.69 | 2.2    | 5828  | 640    | 1.94 | 1.5          | 8651  | 950    | 0.83 | 1.7    | 7595  | 834          | 0.95  | 1.9    | 6702  | 736   | 1.08  | 2.2          | 5710  | 627    | 1.26  |        |       |              |       |        |       |        |       |              |       |        |       |        |       |              |       |        |       |        |       |              |       |        |       |        |       |              |       |        |       |        |       |              |       |        |       |        |       |              |       |        |       |        |       |              |       |        |       |        |       |              |       |        |       |              |       |              |       |        |       |              |       |        |       |        |       |              |       |        |       |       |       |              |       |        |       |        |       |              |       |        |       |       |       |              |       |       |       |        |       |              |       |        |       |       |       |              |       |              |       |        |       |        |       |              |       |              |       |        |       |       |       |              |       |              |       |       |       |       |       |              |       |       |       |       |       |              |       |       |       |       |       |              |       |       |       |       |       |              |       |       |       |       |       |              |       |       |       |       |       |              |       |       |       |       |       |              |       |       |       |       |       |              |       |       |       |       |       |              |       |       |       |       |       |              |       |       |       |       |       |              |       |       |       |       |       |              |       |       |       |       |       |              |       |       |       |       |       |              |       |       |       |       |       |              |       |       |       |       |       |              |       |       |       |       |       |              |       |       |       |       |       |              |       |       |       |       |       |              |       |       |       |       |       |              |       |       |       |       |       |              |       |      |       |      |       |              |       |      |       |      |       |              |       |      |       |      |       |              |       |      |       |              |       |              |       |      |       |              |       |              |       |              |       |              |       |              |       |              |       |      |       |      |       |      |       |      |       |      |       |      |       |      |       |      |       |      |       |      |       |      |       |      |       |      |       |      |       |      |       |      |       |      |       |      |       |      |      |      |       |      |       |      |       |      |       |      |       |      |       |      |       |      |       |      |      |      |      |      |      |     |      |     |      |     |      |     |      |     |      |     |      |     |      |     |      |     |      |     |      |     |      |
| 156           | 63         | 8.97     | 2.6                    | 175          | 56      | 8.01          | 2.8        | 206          | 48                     | 6.81         | 2.7     | 229          | 43    | 6.11         | 2.9  | 266          | 37    | 5.27         | 3.2  | 283          | 35    | 4.95         | 3.2  | 329          | 30    | 4.26         | 3.4  | 367          | 27    | 3.81         | 3.7  | <b>1.5kW</b> |       |              |      |              |       | <b>1.5kW</b> |      |              |       |              |      | 0.58         | 22102 | 2427         | 0.77 | 0.64         | 19898 | 2185         | 0.85 | 0.72         | 17703 | 1944         | 0.96 | 0.84         | 15244 | 1674         | 1.11 | 1.1          | 11911 | 1308         | 1.42 | 1.2          | 10646 | 1169         | 1.59 | 1.5          | 8679  | 953          | 1.95 | 1.7          | 7695  | 845          | 2.2  | 3.1          | 4062  | 446          | 4.2  | 4.7          | 2741  | 301          | 6.2  | 0.86         | 14744 | 1619         | 0.77 | 1.0          | 12758 | 1401         | 0.88 | 1.1          | 11201 | 1230         | 1.01 | 1.3          | 9881  | 1085         | 1.14 | 1.5          | 8533  | 937          | 1.32 | 1.7          | 7531  | 827          | 1.50 | 1.9          | 6675  | 733          | 1.69 | 2.2    | 5828  | 640          | 1.94 | 1.5    | 8651  | 950    | 0.83 | 1.7          | 7595  | 834    | 0.95 | 1.9    | 6702  | 736          | 1.08  | 2.2    | 5710  | 627   | 1.26  |              |       |        |       |        |       |              |       |        |       |        |       |              |       |        |       |        |       |              |       |        |       |        |       |              |       |        |       |        |       |              |       |        |       |        |       |              |       |        |       |        |       |              |       |        |       |        |       |              |       |        |       |        |       |              |       |        |       |              |       |              |       |        |       |              |       |        |       |        |       |              |       |        |       |       |       |              |       |        |       |        |       |              |       |        |       |       |       |              |       |       |       |        |       |              |       |        |       |       |       |              |       |              |       |        |       |        |       |              |       |              |       |        |       |       |       |              |       |              |       |       |       |       |       |              |       |       |       |       |       |              |       |       |       |       |       |              |       |       |       |       |       |              |       |       |       |       |       |              |       |       |       |       |       |              |       |       |       |       |       |              |       |       |       |       |       |              |       |       |       |       |       |              |       |       |       |       |       |              |       |       |       |       |       |              |       |       |       |       |       |              |       |       |       |       |       |              |       |       |       |       |       |              |       |       |       |       |       |              |       |       |       |       |       |              |       |       |       |       |       |              |       |       |       |       |       |              |       |       |       |       |       |              |       |       |       |       |       |              |       |       |       |       |       |              |       |      |       |      |       |              |       |      |       |      |       |              |       |      |       |      |       |              |       |      |       |              |       |              |       |      |       |              |       |              |       |              |       |              |       |              |       |              |       |      |       |      |       |      |       |      |       |      |       |      |       |      |       |      |       |      |       |      |       |      |       |      |       |      |       |      |       |      |       |      |       |      |       |      |       |      |      |      |       |      |       |      |       |      |       |      |       |      |       |      |       |      |       |      |      |      |      |      |      |     |      |     |      |     |      |     |      |     |      |     |      |     |      |     |      |     |      |     |      |     |      |
| 175           | 56         | 8.01     | 2.8                    | 206          | 48      | 6.81          | 2.7        | 229          | 43                     | 6.11         | 2.9     | 266          | 37    | 5.27         | 3.2  | 283          | 35    | 4.95         | 3.2  | 329          | 30    | 4.26         | 3.4  | 367          | 27    | 3.81         | 3.7  | <b>1.5kW</b> |       |              |      |              |       | <b>1.5kW</b> |      |              |       |              |      | 0.58         | 22102 | 2427         | 0.77 | 0.64         | 19898 | 2185         | 0.85 | 0.72         | 17703 | 1944         | 0.96 | 0.84         | 15244 | 1674         | 1.11 | 1.1          | 11911 | 1308         | 1.42 | 1.2          | 10646 | 1169         | 1.59 | 1.5          | 8679  | 953          | 1.95 | 1.7          | 7695  | 845          | 2.2  | 3.1          | 4062  | 446          | 4.2  | 4.7          | 2741  | 301          | 6.2  | 0.86         | 14744 | 1619         | 0.77 | 1.0          | 12758 | 1401         | 0.88 | 1.1          | 11201 | 1230         | 1.01 | 1.3          | 9881  | 1085         | 1.14 | 1.5          | 8533  | 937          | 1.32 | 1.7          | 7531  | 827          | 1.50 | 1.9          | 6675  | 733          | 1.69 | 2.2          | 5828  | 640          | 1.94 | 1.5    | 8651  | 950          | 0.83 | 1.7    | 7595  | 834    | 0.95 | 1.9          | 6702  | 736    | 1.08 | 2.2    | 5710  | 627          | 1.26  |        |       |       |       |              |       |        |       |        |       |              |       |        |       |        |       |              |       |        |       |        |       |              |       |        |       |        |       |              |       |        |       |        |       |              |       |        |       |        |       |              |       |        |       |        |       |              |       |        |       |        |       |              |       |        |       |        |       |              |       |        |       |              |       |              |       |        |       |              |       |        |       |        |       |              |       |        |       |       |       |              |       |        |       |        |       |              |       |        |       |       |       |              |       |       |       |        |       |              |       |        |       |       |       |              |       |              |       |        |       |        |       |              |       |              |       |        |       |       |       |              |       |              |       |       |       |       |       |              |       |       |       |       |       |              |       |       |       |       |       |              |       |       |       |       |       |              |       |       |       |       |       |              |       |       |       |       |       |              |       |       |       |       |       |              |       |       |       |       |       |              |       |       |       |       |       |              |       |       |       |       |       |              |       |       |       |       |       |              |       |       |       |       |       |              |       |       |       |       |       |              |       |       |       |       |       |              |       |       |       |       |       |              |       |       |       |       |       |              |       |       |       |       |       |              |       |       |       |       |       |              |       |       |       |       |       |              |       |       |       |       |       |              |       |       |       |       |       |              |       |      |       |      |       |              |       |      |       |      |       |              |       |      |       |      |       |              |       |      |       |              |       |              |       |      |       |              |       |              |       |              |       |              |       |              |       |              |       |      |       |      |       |      |       |      |       |      |       |      |       |      |       |      |       |      |       |      |       |      |       |      |       |      |       |      |       |      |       |      |       |      |       |      |       |      |      |      |       |      |       |      |       |      |       |      |       |      |       |      |       |      |       |      |      |      |      |      |      |     |      |     |      |     |      |     |      |     |      |     |      |     |      |     |      |     |      |     |      |     |      |
| 206           | 48         | 6.81     | 2.7                    | 229          | 43      | 6.11          | 2.9        | 266          | 37                     | 5.27         | 3.2     | 283          | 35    | 4.95         | 3.2  | 329          | 30    | 4.26         | 3.4  | 367          | 27    | 3.81         | 3.7  | <b>1.5kW</b> |       |              |      |              |       | <b>1.5kW</b> |      |              |       |              |      | 0.58         | 22102 | 2427         | 0.77 | 0.64         | 19898 | 2185         | 0.85 | 0.72         | 17703 | 1944         | 0.96 | 0.84         | 15244 | 1674         | 1.11 | 1.1          | 11911 | 1308         | 1.42 | 1.2          | 10646 | 1169         | 1.59 | 1.5          | 8679  | 953          | 1.95 | 1.7          | 7695  | 845          | 2.2  | 3.1          | 4062  | 446          | 4.2  | 4.7          | 2741  | 301          | 6.2  | 0.86         | 14744 | 1619         | 0.77 | 1.0          | 12758 | 1401         | 0.88 | 1.1          | 11201 | 1230         | 1.01 | 1.3          | 9881  | 1085         | 1.14 | 1.5          | 8533  | 937          | 1.32 | 1.7          | 7531  | 827          | 1.50 | 1.9          | 6675  | 733          | 1.69 | 2.2          | 5828  | 640          | 1.94 | 1.5          | 8651  | 950          | 0.83 | 1.7    | 7595  | 834          | 0.95 | 1.9    | 6702  | 736    | 1.08 | 2.2          | 5710  | 627    | 1.26 |        |       |              |       |        |       |       |       |              |       |        |       |        |       |              |       |        |       |        |       |              |       |        |       |        |       |              |       |        |       |        |       |              |       |        |       |        |       |              |       |        |       |        |       |              |       |        |       |        |       |              |       |        |       |        |       |              |       |        |       |        |       |              |       |        |       |              |       |              |       |        |       |              |       |        |       |        |       |              |       |        |       |       |       |              |       |        |       |        |       |              |       |        |       |       |       |              |       |       |       |        |       |              |       |        |       |       |       |              |       |              |       |        |       |        |       |              |       |              |       |        |       |       |       |              |       |              |       |       |       |       |       |              |       |       |       |       |       |              |       |       |       |       |       |              |       |       |       |       |       |              |       |       |       |       |       |              |       |       |       |       |       |              |       |       |       |       |       |              |       |       |       |       |       |              |       |       |       |       |       |              |       |       |       |       |       |              |       |       |       |       |       |              |       |       |       |       |       |              |       |       |       |       |       |              |       |       |       |       |       |              |       |       |       |       |       |              |       |       |       |       |       |              |       |       |       |       |       |              |       |       |       |       |       |              |       |       |       |       |       |              |       |       |       |       |       |              |       |       |       |       |       |              |       |      |       |      |       |              |       |      |       |      |       |              |       |      |       |      |       |              |       |      |       |              |       |              |       |      |       |              |       |              |       |              |       |              |       |              |       |              |       |      |       |      |       |      |       |      |       |      |       |      |       |      |       |      |       |      |       |      |       |      |       |      |       |      |       |      |       |      |       |      |       |      |       |      |       |      |      |      |       |      |       |      |       |      |       |      |       |      |       |      |       |      |       |      |      |      |      |      |      |     |      |     |      |     |      |     |      |     |      |     |      |     |      |     |      |     |      |     |      |     |      |
| 229           | 43         | 6.11     | 2.9                    | 266          | 37      | 5.27          | 3.2        | 283          | 35                     | 4.95         | 3.2     | 329          | 30    | 4.26         | 3.4  | 367          | 27    | 3.81         | 3.7  | <b>1.5kW</b> |       |              |      |              |       | <b>1.5kW</b> |      |              |       |              |      | 0.58         | 22102 | 2427         | 0.77 | 0.64         | 19898 | 2185         | 0.85 | 0.72         | 17703 | 1944         | 0.96 | 0.84         | 15244 | 1674         | 1.11 | 1.1          | 11911 | 1308         | 1.42 | 1.2          | 10646 | 1169         | 1.59 | 1.5          | 8679  | 953          | 1.95 | 1.7          | 7695  | 845          | 2.2  | 3.1          | 4062  | 446          | 4.2  | 4.7          | 2741  | 301          | 6.2  | 0.86         | 14744 | 1619         | 0.77 | 1.0          | 12758 | 1401         | 0.88 | 1.1          | 11201 | 1230         | 1.01 | 1.3          | 9881  | 1085         | 1.14 | 1.5          | 8533  | 937          | 1.32 | 1.7          | 7531  | 827          | 1.50 | 1.9          | 6675  | 733          | 1.69 | 2.2          | 5828  | 640          | 1.94 | 1.5          | 8651  | 950          | 0.83 | 1.7          | 7595  | 834          | 0.95 | 1.9    | 6702  | 736          | 1.08 | 2.2    | 5710  | 627    | 1.26 |              |       |        |      |        |       |              |       |        |       |       |       |              |       |        |       |        |       |              |       |        |       |        |       |              |       |        |       |        |       |              |       |        |       |        |       |              |       |        |       |        |       |              |       |        |       |        |       |              |       |        |       |        |       |              |       |        |       |        |       |              |       |        |       |        |       |              |       |        |       |              |       |              |       |        |       |              |       |        |       |        |       |              |       |        |       |       |       |              |       |        |       |        |       |              |       |        |       |       |       |              |       |       |       |        |       |              |       |        |       |       |       |              |       |              |       |        |       |        |       |              |       |              |       |        |       |       |       |              |       |              |       |       |       |       |       |              |       |       |       |       |       |              |       |       |       |       |       |              |       |       |       |       |       |              |       |       |       |       |       |              |       |       |       |       |       |              |       |       |       |       |       |              |       |       |       |       |       |              |       |       |       |       |       |              |       |       |       |       |       |              |       |       |       |       |       |              |       |       |       |       |       |              |       |       |       |       |       |              |       |       |       |       |       |              |       |       |       |       |       |              |       |       |       |       |       |              |       |       |       |       |       |              |       |       |       |       |       |              |       |       |       |       |       |              |       |       |       |       |       |              |       |       |       |       |       |              |       |      |       |      |       |              |       |      |       |      |       |              |       |      |       |      |       |              |       |      |       |              |       |              |       |      |       |              |       |              |       |              |       |              |       |              |       |              |       |      |       |      |       |      |       |      |       |      |       |      |       |      |       |      |       |      |       |      |       |      |       |      |       |      |       |      |       |      |       |      |       |      |       |      |       |      |      |      |       |      |       |      |       |      |       |      |       |      |       |      |       |      |       |      |      |      |      |      |      |     |      |     |      |     |      |     |      |     |      |     |      |     |      |     |      |     |      |     |      |     |      |
| 266           | 37         | 5.27     | 3.2                    | 283          | 35      | 4.95          | 3.2        | 329          | 30                     | 4.26         | 3.4     | 367          | 27    | 3.81         | 3.7  | <b>1.5kW</b> |       |              |      |              |       | <b>1.5kW</b> |      |              |       |              |      | 0.58         | 22102 | 2427         | 0.77 | 0.64         | 19898 | 2185         | 0.85 | 0.72         | 17703 | 1944         | 0.96 | 0.84         | 15244 | 1674         | 1.11 | 1.1          | 11911 | 1308         | 1.42 | 1.2          | 10646 | 1169         | 1.59 | 1.5          | 8679  | 953          | 1.95 | 1.7          | 7695  | 845          | 2.2  | 3.1          | 4062  | 446          | 4.2  | 4.7          | 2741  | 301          | 6.2  | 0.86         | 14744 | 1619         | 0.77 | 1.0          | 12758 | 1401         | 0.88 | 1.1          | 11201 | 1230         | 1.01 | 1.3          | 9881  | 1085         | 1.14 | 1.5          | 8533  | 937          | 1.32 | 1.7          | 7531  | 827          | 1.50 | 1.9          | 6675  | 733          | 1.69 | 2.2          | 5828  | 640          | 1.94 | 1.5          | 8651  | 950          | 0.83 | 1.7          | 7595  | 834          | 0.95 | 1.9          | 6702  | 736          | 1.08 | 2.2    | 5710  | 627          | 1.26 |        |       |        |      |              |       |        |      |        |       |              |       |        |       |       |       |              |       |        |       |        |       |              |       |        |       |        |       |              |       |        |       |        |       |              |       |        |       |        |       |              |       |        |       |        |       |              |       |        |       |        |       |              |       |        |       |        |       |              |       |        |       |        |       |              |       |        |       |        |       |              |       |        |       |              |       |              |       |        |       |              |       |        |       |        |       |              |       |        |       |       |       |              |       |        |       |        |       |              |       |        |       |       |       |              |       |       |       |        |       |              |       |        |       |       |       |              |       |              |       |        |       |        |       |              |       |              |       |        |       |       |       |              |       |              |       |       |       |       |       |              |       |       |       |       |       |              |       |       |       |       |       |              |       |       |       |       |       |              |       |       |       |       |       |              |       |       |       |       |       |              |       |       |       |       |       |              |       |       |       |       |       |              |       |       |       |       |       |              |       |       |       |       |       |              |       |       |       |       |       |              |       |       |       |       |       |              |       |       |       |       |       |              |       |       |       |       |       |              |       |       |       |       |       |              |       |       |       |       |       |              |       |       |       |       |       |              |       |       |       |       |       |              |       |       |       |       |       |              |       |       |       |       |       |              |       |       |       |       |       |              |       |      |       |      |       |              |       |      |       |      |       |              |       |      |       |      |       |              |       |      |       |              |       |              |       |      |       |              |       |              |       |              |       |              |       |              |       |              |       |      |       |      |       |      |       |      |       |      |       |      |       |      |       |      |       |      |       |      |       |      |       |      |       |      |       |      |       |      |       |      |       |      |       |      |       |      |      |      |       |      |       |      |       |      |       |      |       |      |       |      |       |      |       |      |      |      |      |      |      |     |      |     |      |     |      |     |      |     |      |     |      |     |      |     |      |     |      |     |      |     |      |
| 283           | 35         | 4.95     | 3.2                    | 329          | 30      | 4.26          | 3.4        | 367          | 27                     | 3.81         | 3.7     | <b>1.5kW</b> |       |              |      |              |       | <b>1.5kW</b> |      |              |       |              |      | 0.58         | 22102 | 2427         | 0.77 | 0.64         | 19898 | 2185         | 0.85 | 0.72         | 17703 | 1944         | 0.96 | 0.84         | 15244 | 1674         | 1.11 | 1.1          | 11911 | 1308         | 1.42 | 1.2          | 10646 | 1169         | 1.59 | 1.5          | 8679  | 953          | 1.95 | 1.7          | 7695  | 845          | 2.2  | 3.1          | 4062  | 446          | 4.2  | 4.7          | 2741  | 301          | 6.2  | 0.86         | 14744 | 1619         | 0.77 | 1.0          | 12758 | 1401         | 0.88 | 1.1          | 11201 | 1230         | 1.01 | 1.3          | 9881  | 1085         | 1.14 | 1.5          | 8533  | 937          | 1.32 | 1.7          | 7531  | 827          | 1.50 | 1.9          | 6675  | 733          | 1.69 | 2.2          | 5828  | 640          | 1.94 | 1.5          | 8651  | 950          | 0.83 | 1.7          | 7595  | 834          | 0.95 | 1.9          | 6702  | 736          | 1.08 | 2.2          | 5710  | 627          | 1.26 |        |       |              |      |        |       |        |      |              |       |        |      |        |       |              |       |        |       |       |       |              |       |        |       |        |       |              |       |        |       |        |       |              |       |        |       |        |       |              |       |        |       |        |       |              |       |        |       |        |       |              |       |        |       |        |       |              |       |        |       |        |       |              |       |        |       |        |       |              |       |        |       |        |       |              |       |        |       |              |       |              |       |        |       |              |       |        |       |        |       |              |       |        |       |       |       |              |       |        |       |        |       |              |       |        |       |       |       |              |       |       |       |        |       |              |       |        |       |       |       |              |       |              |       |        |       |        |       |              |       |              |       |        |       |       |       |              |       |              |       |       |       |       |       |              |       |       |       |       |       |              |       |       |       |       |       |              |       |       |       |       |       |              |       |       |       |       |       |              |       |       |       |       |       |              |       |       |       |       |       |              |       |       |       |       |       |              |       |       |       |       |       |              |       |       |       |       |       |              |       |       |       |       |       |              |       |       |       |       |       |              |       |       |       |       |       |              |       |       |       |       |       |              |       |       |       |       |       |              |       |       |       |       |       |              |       |       |       |       |       |              |       |       |       |       |       |              |       |       |       |       |       |              |       |       |       |       |       |              |       |       |       |       |       |              |       |      |       |      |       |              |       |      |       |      |       |              |       |      |       |      |       |              |       |      |       |              |       |              |       |      |       |              |       |              |       |              |       |              |       |              |       |              |       |      |       |      |       |      |       |      |       |      |       |      |       |      |       |      |       |      |       |      |       |      |       |      |       |      |       |      |       |      |       |      |       |      |       |      |       |      |      |      |       |      |       |      |       |      |       |      |       |      |       |      |       |      |       |      |      |      |      |      |      |     |      |     |      |     |      |     |      |     |      |     |      |     |      |     |      |     |      |     |      |     |      |
| 329           | 30         | 4.26     | 3.4                    | 367          | 27      | 3.81          | 3.7        | <b>1.5kW</b> |                        |              |         |              |       | <b>1.5kW</b> |      |              |       |              |      | 0.58         | 22102 | 2427         | 0.77 | 0.64         | 19898 | 2185         | 0.85 | 0.72         | 17703 | 1944         | 0.96 | 0.84         | 15244 | 1674         | 1.11 | 1.1          | 11911 | 1308         | 1.42 | 1.2          | 10646 | 1169         | 1.59 | 1.5          | 8679  | 953          | 1.95 | 1.7          | 7695  | 845          | 2.2  | 3.1          | 4062  | 446          | 4.2  | 4.7          | 2741  | 301          | 6.2  | 0.86         | 14744 | 1619         | 0.77 | 1.0          | 12758 | 1401         | 0.88 | 1.1          | 11201 | 1230         | 1.01 | 1.3          | 9881  | 1085         | 1.14 | 1.5          | 8533  | 937          | 1.32 | 1.7          | 7531  | 827          | 1.50 | 1.9          | 6675  | 733          | 1.69 | 2.2          | 5828  | 640          | 1.94 | 1.5          | 8651  | 950          | 0.83 | 1.7          | 7595  | 834          | 0.95 | 1.9          | 6702  | 736          | 1.08 | 2.2          | 5710  | 627          | 1.26 |              |       |              |      |        |       |              |      |        |       |        |      |              |       |        |      |        |       |              |       |        |       |       |       |              |       |        |       |        |       |              |       |        |       |        |       |              |       |        |       |        |       |              |       |        |       |        |       |              |       |        |       |        |       |              |       |        |       |        |       |              |       |        |       |        |       |              |       |        |       |        |       |              |       |        |       |        |       |              |       |        |       |              |       |              |       |        |       |              |       |        |       |        |       |              |       |        |       |       |       |              |       |        |       |        |       |              |       |        |       |       |       |              |       |       |       |        |       |              |       |        |       |       |       |              |       |              |       |        |       |        |       |              |       |              |       |        |       |       |       |              |       |              |       |       |       |       |       |              |       |       |       |       |       |              |       |       |       |       |       |              |       |       |       |       |       |              |       |       |       |       |       |              |       |       |       |       |       |              |       |       |       |       |       |              |       |       |       |       |       |              |       |       |       |       |       |              |       |       |       |       |       |              |       |       |       |       |       |              |       |       |       |       |       |              |       |       |       |       |       |              |       |       |       |       |       |              |       |       |       |       |       |              |       |       |       |       |       |              |       |       |       |       |       |              |       |       |       |       |       |              |       |       |       |       |       |              |       |       |       |       |       |              |       |       |       |       |       |              |       |      |       |      |       |              |       |      |       |      |       |              |       |      |       |      |       |              |       |      |       |              |       |              |       |      |       |              |       |              |       |              |       |              |       |              |       |              |       |      |       |      |       |      |       |      |       |      |       |      |       |      |       |      |       |      |       |      |       |      |       |      |       |      |       |      |       |      |       |      |       |      |       |      |       |      |      |      |       |      |       |      |       |      |       |      |       |      |       |      |       |      |       |      |      |      |      |      |      |     |      |     |      |     |      |     |      |     |      |     |      |     |      |     |      |     |      |     |      |     |      |
| 367           | 27         | 3.81     | 3.7                    | <b>1.5kW</b> |         |               |            |              |                        | <b>1.5kW</b> |         |              |       |              |      | 0.58         | 22102 | 2427         | 0.77 | 0.64         | 19898 | 2185         | 0.85 | 0.72         | 17703 | 1944         | 0.96 | 0.84         | 15244 | 1674         | 1.11 | 1.1          | 11911 | 1308         | 1.42 | 1.2          | 10646 | 1169         | 1.59 | 1.5          | 8679  | 953          | 1.95 | 1.7          | 7695  | 845          | 2.2  | 3.1          | 4062  | 446          | 4.2  | 4.7          | 2741  | 301          | 6.2  | 0.86         | 14744 | 1619         | 0.77 | 1.0          | 12758 | 1401         | 0.88 | 1.1          | 11201 | 1230         | 1.01 | 1.3          | 9881  | 1085         | 1.14 | 1.5          | 8533  | 937          | 1.32 | 1.7          | 7531  | 827          | 1.50 | 1.9          | 6675  | 733          | 1.69 | 2.2          | 5828  | 640          | 1.94 | 1.5          | 8651  | 950          | 0.83 | 1.7          | 7595  | 834          | 0.95 | 1.9          | 6702  | 736          | 1.08 | 2.2          | 5710  | 627          | 1.26 |              |       |              |      |              |       |              |      |        |       |              |      |        |       |        |      |              |       |        |      |        |       |              |       |        |       |       |       |              |       |        |       |        |       |              |       |        |       |        |       |              |       |        |       |        |       |              |       |        |       |        |       |              |       |        |       |        |       |              |       |        |       |        |       |              |       |        |       |        |       |              |       |        |       |        |       |              |       |        |       |        |       |              |       |        |       |              |       |              |       |        |       |              |       |        |       |        |       |              |       |        |       |       |       |              |       |        |       |        |       |              |       |        |       |       |       |              |       |       |       |        |       |              |       |        |       |       |       |              |       |              |       |        |       |        |       |              |       |              |       |        |       |       |       |              |       |              |       |       |       |       |       |              |       |       |       |       |       |              |       |       |       |       |       |              |       |       |       |       |       |              |       |       |       |       |       |              |       |       |       |       |       |              |       |       |       |       |       |              |       |       |       |       |       |              |       |       |       |       |       |              |       |       |       |       |       |              |       |       |       |       |       |              |       |       |       |       |       |              |       |       |       |       |       |              |       |       |       |       |       |              |       |       |       |       |       |              |       |       |       |       |       |              |       |       |       |       |       |              |       |       |       |       |       |              |       |       |       |       |       |              |       |       |       |       |       |              |       |       |       |       |       |              |       |      |       |      |       |              |       |      |       |      |       |              |       |      |       |      |       |              |       |      |       |              |       |              |       |      |       |              |       |              |       |              |       |              |       |              |       |              |       |      |       |      |       |      |       |      |       |      |       |      |       |      |       |      |       |      |       |      |       |      |       |      |       |      |       |      |       |      |       |      |       |      |       |      |       |      |      |      |       |      |       |      |       |      |       |      |       |      |       |      |       |      |       |      |      |      |      |      |      |     |      |     |      |     |      |     |      |     |      |     |      |     |      |     |      |     |      |     |      |     |      |
| <b>1.5kW</b>  |            |          |                        |              |         | <b>1.5kW</b>  |            |              |                        |              |         |              |       |              |      |              |       |              |      |              |       |              |      |              |       |              |      |              |       |              |      |              |       |              |      |              |       |              |      |              |       |              |      |              |       |              |      |              |       |              |      |              |       |              |      |              |       |              |      |              |       |              |      |              |       |              |      |              |       |              |      |              |       |              |      |              |       |              |      |              |       |              |      |              |       |              |      |              |       |              |      |              |       |              |      |              |       |              |      |              |       |              |      |              |       |              |      |              |       |              |      |        |       |              |      |        |       |        |      |              |       |        |      |        |       |              |       |        |       |       |       |              |       |        |       |        |       |              |       |        |       |        |       |              |       |        |       |        |       |              |       |        |       |        |       |              |       |        |       |        |       |              |       |        |       |        |       |              |       |        |       |        |       |              |       |        |       |        |       |              |       |        |       |        |       |              |       |        |       |              |       |              |       |        |       |              |       |        |       |        |       |              |       |        |       |       |       |              |       |        |       |        |       |              |       |        |       |       |       |              |       |       |       |        |       |              |       |        |       |       |       |              |       |              |       |        |       |        |       |              |       |              |       |        |       |       |       |              |       |              |       |       |       |       |       |              |       |       |       |       |       |              |       |       |       |       |       |              |       |       |       |       |       |              |       |       |       |       |       |              |       |       |       |       |       |              |       |       |       |       |       |              |       |       |       |       |       |              |       |       |       |       |       |              |       |       |       |       |       |              |       |       |       |       |       |              |       |       |       |       |       |              |       |       |       |       |       |              |       |       |       |       |       |              |       |       |       |       |       |              |       |       |       |       |       |              |       |       |       |       |       |              |       |       |       |       |       |              |       |       |       |       |       |              |       |       |       |       |       |              |       |       |       |       |       |              |       |      |       |      |       |              |       |      |       |      |       |              |       |      |       |      |       |              |       |      |       |              |       |              |       |      |       |              |       |              |       |              |       |              |       |              |       |              |       |      |       |      |       |      |       |      |       |      |       |      |       |      |       |      |       |      |       |      |       |      |       |      |       |      |       |      |       |      |       |      |       |      |       |      |       |      |      |      |       |      |       |      |       |      |       |      |       |      |       |      |       |      |       |      |      |      |      |      |      |     |      |     |      |     |      |     |      |     |      |     |      |     |      |     |      |     |      |     |      |     |      |
| 0.58          | 22102      | 2427     | 0.77                   | 0.64         | 19898   | 2185          | 0.85       | 0.72         | 17703                  | 1944         | 0.96    | 0.84         | 15244 | 1674         | 1.11 | 1.1          | 11911 | 1308         | 1.42 | 1.2          | 10646 | 1169         | 1.59 | 1.5          | 8679  | 953          | 1.95 | 1.7          | 7695  | 845          | 2.2  | 3.1          | 4062  | 446          | 4.2  | 4.7          | 2741  | 301          | 6.2  | 0.86         | 14744 | 1619         | 0.77 | 1.0          | 12758 | 1401         | 0.88 | 1.1          | 11201 | 1230         | 1.01 | 1.3          | 9881  | 1085         | 1.14 | 1.5          | 8533  | 937          | 1.32 | 1.7          | 7531  | 827          | 1.50 | 1.9          | 6675  | 733          | 1.69 | 2.2          | 5828  | 640          | 1.94 | 1.5          | 8651  | 950          | 0.83 | 1.7          | 7595  | 834          | 0.95 | 1.9          | 6702  | 736          | 1.08 | 2.2          | 5710  | 627          | 1.26 |              |       |              |      |              |       |              |      |              |       |              |      |              |       |              |      |              |       |              |      |              |       |              |      |        |       |              |      |        |       |        |      |              |       |        |      |        |       |              |       |        |       |       |       |              |       |        |       |        |       |              |       |        |       |        |       |              |       |        |       |        |       |              |       |        |       |        |       |              |       |        |       |        |       |              |       |        |       |        |       |              |       |        |       |        |       |              |       |        |       |        |       |              |       |        |       |        |       |              |       |        |       |              |       |              |       |        |       |              |       |        |       |        |       |              |       |        |       |       |       |              |       |        |       |        |       |              |       |        |       |       |       |              |       |       |       |        |       |              |       |        |       |       |       |              |       |              |       |        |       |        |       |              |       |              |       |        |       |       |       |              |       |              |       |       |       |       |       |              |       |       |       |       |       |              |       |       |       |       |       |              |       |       |       |       |       |              |       |       |       |       |       |              |       |       |       |       |       |              |       |       |       |       |       |              |       |       |       |       |       |              |       |       |       |       |       |              |       |       |       |       |       |              |       |       |       |       |       |              |       |       |       |       |       |              |       |       |       |       |       |              |       |       |       |       |       |              |       |       |       |       |       |              |       |       |       |       |       |              |       |       |       |       |       |              |       |       |       |       |       |              |       |       |       |       |       |              |       |       |       |       |       |              |       |       |       |       |       |              |       |      |       |      |       |              |       |      |       |      |       |              |       |      |       |      |       |              |       |      |       |              |       |              |       |      |       |              |       |              |       |              |       |              |       |              |       |              |       |      |       |      |       |      |       |      |       |      |       |      |       |      |       |      |       |      |       |      |       |      |       |      |       |      |       |      |       |      |       |      |       |      |       |      |       |      |      |      |       |      |       |      |       |      |       |      |       |      |       |      |       |      |       |      |      |      |      |      |      |     |      |     |      |     |      |     |      |     |      |     |      |     |      |     |      |     |      |     |      |     |      |
| 0.64          | 19898      | 2185     | 0.85                   | 0.72         | 17703   | 1944          | 0.96       | 0.84         | 15244                  | 1674         | 1.11    | 1.1          | 11911 | 1308         | 1.42 | 1.2          | 10646 | 1169         | 1.59 | 1.5          | 8679  | 953          | 1.95 | 1.7          | 7695  | 845          | 2.2  | 3.1          | 4062  | 446          | 4.2  | 4.7          | 2741  | 301          | 6.2  | 0.86         | 14744 | 1619         | 0.77 | 1.0          | 12758 | 1401         | 0.88 | 1.1          | 11201 | 1230         | 1.01 | 1.3          | 9881  | 1085         | 1.14 | 1.5          | 8533  | 937          | 1.32 | 1.7          | 7531  | 827          | 1.50 | 1.9          | 6675  | 733          | 1.69 | 2.2          | 5828  | 640          | 1.94 | 1.5          | 8651  | 950          | 0.83 | 1.7          | 7595  | 834          | 0.95 | 1.9          | 6702  | 736          | 1.08 | 2.2          | 5710  | 627          | 1.26 |              |       |              |      |              |       |              |      |              |       |              |      |              |       |              |      |              |       |              |      |              |       |              |      |              |       |              |      |        |       |              |      |        |       |        |      |              |       |        |      |        |       |              |       |        |       |       |       |              |       |        |       |        |       |              |       |        |       |        |       |              |       |        |       |        |       |              |       |        |       |        |       |              |       |        |       |        |       |              |       |        |       |        |       |              |       |        |       |        |       |              |       |        |       |        |       |              |       |        |       |        |       |              |       |        |       |              |       |              |       |        |       |              |       |        |       |        |       |              |       |        |       |       |       |              |       |        |       |        |       |              |       |        |       |       |       |              |       |       |       |        |       |              |       |        |       |       |       |              |       |              |       |        |       |        |       |              |       |              |       |        |       |       |       |              |       |              |       |       |       |       |       |              |       |       |       |       |       |              |       |       |       |       |       |              |       |       |       |       |       |              |       |       |       |       |       |              |       |       |       |       |       |              |       |       |       |       |       |              |       |       |       |       |       |              |       |       |       |       |       |              |       |       |       |       |       |              |       |       |       |       |       |              |       |       |       |       |       |              |       |       |       |       |       |              |       |       |       |       |       |              |       |       |       |       |       |              |       |       |       |       |       |              |       |       |       |       |       |              |       |       |       |       |       |              |       |       |       |       |       |              |       |       |       |       |       |              |       |       |       |       |       |              |       |      |       |      |       |              |       |      |       |      |       |              |       |      |       |      |       |              |       |      |       |              |       |              |       |      |       |              |       |              |       |              |       |              |       |              |       |              |       |      |       |      |       |      |       |      |       |      |       |      |       |      |       |      |       |      |       |      |       |      |       |      |       |      |       |      |       |      |       |      |       |      |       |      |       |      |      |      |       |      |       |      |       |      |       |      |       |      |       |      |       |      |       |      |      |      |      |      |      |     |      |     |      |     |      |     |      |     |      |     |      |     |      |     |      |     |      |     |      |     |      |
| 0.72          | 17703      | 1944     | 0.96                   | 0.84         | 15244   | 1674          | 1.11       | 1.1          | 11911                  | 1308         | 1.42    | 1.2          | 10646 | 1169         | 1.59 | 1.5          | 8679  | 953          | 1.95 | 1.7          | 7695  | 845          | 2.2  | 3.1          | 4062  | 446          | 4.2  | 4.7          | 2741  | 301          | 6.2  | 0.86         | 14744 | 1619         | 0.77 | 1.0          | 12758 | 1401         | 0.88 | 1.1          | 11201 | 1230         | 1.01 | 1.3          | 9881  | 1085         | 1.14 | 1.5          | 8533  | 937          | 1.32 | 1.7          | 7531  | 827          | 1.50 | 1.9          | 6675  | 733          | 1.69 | 2.2          | 5828  | 640          | 1.94 | 1.5          | 8651  | 950          | 0.83 | 1.7          | 7595  | 834          | 0.95 | 1.9          | 6702  | 736          | 1.08 | 2.2          | 5710  | 627          | 1.26 |              |       |              |      |              |       |              |      |              |       |              |      |              |       |              |      |              |       |              |      |              |       |              |      |              |       |              |      |              |       |              |      |        |       |              |      |        |       |        |      |              |       |        |      |        |       |              |       |        |       |       |       |              |       |        |       |        |       |              |       |        |       |        |       |              |       |        |       |        |       |              |       |        |       |        |       |              |       |        |       |        |       |              |       |        |       |        |       |              |       |        |       |        |       |              |       |        |       |        |       |              |       |        |       |        |       |              |       |        |       |              |       |              |       |        |       |              |       |        |       |        |       |              |       |        |       |       |       |              |       |        |       |        |       |              |       |        |       |       |       |              |       |       |       |        |       |              |       |        |       |       |       |              |       |              |       |        |       |        |       |              |       |              |       |        |       |       |       |              |       |              |       |       |       |       |       |              |       |       |       |       |       |              |       |       |       |       |       |              |       |       |       |       |       |              |       |       |       |       |       |              |       |       |       |       |       |              |       |       |       |       |       |              |       |       |       |       |       |              |       |       |       |       |       |              |       |       |       |       |       |              |       |       |       |       |       |              |       |       |       |       |       |              |       |       |       |       |       |              |       |       |       |       |       |              |       |       |       |       |       |              |       |       |       |       |       |              |       |       |       |       |       |              |       |       |       |       |       |              |       |       |       |       |       |              |       |       |       |       |       |              |       |       |       |       |       |              |       |      |       |      |       |              |       |      |       |      |       |              |       |      |       |      |       |              |       |      |       |              |       |              |       |      |       |              |       |              |       |              |       |              |       |              |       |              |       |      |       |      |       |      |       |      |       |      |       |      |       |      |       |      |       |      |       |      |       |      |       |      |       |      |       |      |       |      |       |      |       |      |       |      |       |      |      |      |       |      |       |      |       |      |       |      |       |      |       |      |       |      |       |      |      |      |      |      |      |     |      |     |      |     |      |     |      |     |      |     |      |     |      |     |      |     |      |     |      |     |      |
| 0.84          | 15244      | 1674     | 1.11                   | 1.1          | 11911   | 1308          | 1.42       | 1.2          | 10646                  | 1169         | 1.59    | 1.5          | 8679  | 953          | 1.95 | 1.7          | 7695  | 845          | 2.2  | 3.1          | 4062  | 446          | 4.2  | 4.7          | 2741  | 301          | 6.2  | 0.86         | 14744 | 1619         | 0.77 | 1.0          | 12758 | 1401         | 0.88 | 1.1          | 11201 | 1230         | 1.01 | 1.3          | 9881  | 1085         | 1.14 | 1.5          | 8533  | 937          | 1.32 | 1.7          | 7531  | 827          | 1.50 | 1.9          | 6675  | 733          | 1.69 | 2.2          | 5828  | 640          | 1.94 | 1.5          | 8651  | 950          | 0.83 | 1.7          | 7595  | 834          | 0.95 | 1.9          | 6702  | 736          | 1.08 | 2.2          | 5710  | 627          | 1.26 |              |       |              |      |              |       |              |      |              |       |              |      |              |       |              |      |              |       |              |      |              |       |              |      |              |       |              |      |              |       |              |      |              |       |              |      |        |       |              |      |        |       |        |      |              |       |        |      |        |       |              |       |        |       |       |       |              |       |        |       |        |       |              |       |        |       |        |       |              |       |        |       |        |       |              |       |        |       |        |       |              |       |        |       |        |       |              |       |        |       |        |       |              |       |        |       |        |       |              |       |        |       |        |       |              |       |        |       |        |       |              |       |        |       |              |       |              |       |        |       |              |       |        |       |        |       |              |       |        |       |       |       |              |       |        |       |        |       |              |       |        |       |       |       |              |       |       |       |        |       |              |       |        |       |       |       |              |       |              |       |        |       |        |       |              |       |              |       |        |       |       |       |              |       |              |       |       |       |       |       |              |       |       |       |       |       |              |       |       |       |       |       |              |       |       |       |       |       |              |       |       |       |       |       |              |       |       |       |       |       |              |       |       |       |       |       |              |       |       |       |       |       |              |       |       |       |       |       |              |       |       |       |       |       |              |       |       |       |       |       |              |       |       |       |       |       |              |       |       |       |       |       |              |       |       |       |       |       |              |       |       |       |       |       |              |       |       |       |       |       |              |       |       |       |       |       |              |       |       |       |       |       |              |       |       |       |       |       |              |       |       |       |       |       |              |       |       |       |       |       |              |       |      |       |      |       |              |       |      |       |      |       |              |       |      |       |      |       |              |       |      |       |              |       |              |       |      |       |              |       |              |       |              |       |              |       |              |       |              |       |      |       |      |       |      |       |      |       |      |       |      |       |      |       |      |       |      |       |      |       |      |       |      |       |      |       |      |       |      |       |      |       |      |       |      |       |      |      |      |       |      |       |      |       |      |       |      |       |      |       |      |       |      |       |      |      |      |      |      |      |     |      |     |      |     |      |     |      |     |      |     |      |     |      |     |      |     |      |     |      |     |      |
| 1.1           | 11911      | 1308     | 1.42                   | 1.2          | 10646   | 1169          | 1.59       | 1.5          | 8679                   | 953          | 1.95    | 1.7          | 7695  | 845          | 2.2  | 3.1          | 4062  | 446          | 4.2  | 4.7          | 2741  | 301          | 6.2  | 0.86         | 14744 | 1619         | 0.77 | 1.0          | 12758 | 1401         | 0.88 | 1.1          | 11201 | 1230         | 1.01 | 1.3          | 9881  | 1085         | 1.14 | 1.5          | 8533  | 937          | 1.32 | 1.7          | 7531  | 827          | 1.50 | 1.9          | 6675  | 733          | 1.69 | 2.2          | 5828  | 640          | 1.94 | 1.5          | 8651  | 950          | 0.83 | 1.7          | 7595  | 834          | 0.95 | 1.9          | 6702  | 736          | 1.08 | 2.2          | 5710  | 627          | 1.26 |              |       |              |      |              |       |              |      |              |       |              |      |              |       |              |      |              |       |              |      |              |       |              |      |              |       |              |      |              |       |              |      |              |       |              |      |              |       |              |      |        |       |              |      |        |       |        |      |              |       |        |      |        |       |              |       |        |       |       |       |              |       |        |       |        |       |              |       |        |       |        |       |              |       |        |       |        |       |              |       |        |       |        |       |              |       |        |       |        |       |              |       |        |       |        |       |              |       |        |       |        |       |              |       |        |       |        |       |              |       |        |       |        |       |              |       |        |       |              |       |              |       |        |       |              |       |        |       |        |       |              |       |        |       |       |       |              |       |        |       |        |       |              |       |        |       |       |       |              |       |       |       |        |       |              |       |        |       |       |       |              |       |              |       |        |       |        |       |              |       |              |       |        |       |       |       |              |       |              |       |       |       |       |       |              |       |       |       |       |       |              |       |       |       |       |       |              |       |       |       |       |       |              |       |       |       |       |       |              |       |       |       |       |       |              |       |       |       |       |       |              |       |       |       |       |       |              |       |       |       |       |       |              |       |       |       |       |       |              |       |       |       |       |       |              |       |       |       |       |       |              |       |       |       |       |       |              |       |       |       |       |       |              |       |       |       |       |       |              |       |       |       |       |       |              |       |       |       |       |       |              |       |       |       |       |       |              |       |       |       |       |       |              |       |       |       |       |       |              |       |       |       |       |       |              |       |      |       |      |       |              |       |      |       |      |       |              |       |      |       |      |       |              |       |      |       |              |       |              |       |      |       |              |       |              |       |              |       |              |       |              |       |              |       |      |       |      |       |      |       |      |       |      |       |      |       |      |       |      |       |      |       |      |       |      |       |      |       |      |       |      |       |      |       |      |       |      |       |      |       |      |      |      |       |      |       |      |       |      |       |      |       |      |       |      |       |      |       |      |      |      |      |      |      |     |      |     |      |     |      |     |      |     |      |     |      |     |      |     |      |     |      |     |      |     |      |
| 1.2           | 10646      | 1169     | 1.59                   | 1.5          | 8679    | 953           | 1.95       | 1.7          | 7695                   | 845          | 2.2     | 3.1          | 4062  | 446          | 4.2  | 4.7          | 2741  | 301          | 6.2  | 0.86         | 14744 | 1619         | 0.77 | 1.0          | 12758 | 1401         | 0.88 | 1.1          | 11201 | 1230         | 1.01 | 1.3          | 9881  | 1085         | 1.14 | 1.5          | 8533  | 937          | 1.32 | 1.7          | 7531  | 827          | 1.50 | 1.9          | 6675  | 733          | 1.69 | 2.2          | 5828  | 640          | 1.94 | 1.5          | 8651  | 950          | 0.83 | 1.7          | 7595  | 834          | 0.95 | 1.9          | 6702  | 736          | 1.08 | 2.2          | 5710  | 627          | 1.26 |              |       |              |      |              |       |              |      |              |       |              |      |              |       |              |      |              |       |              |      |              |       |              |      |              |       |              |      |              |       |              |      |              |       |              |      |              |       |              |      |              |       |              |      |        |       |              |      |        |       |        |      |              |       |        |      |        |       |              |       |        |       |       |       |              |       |        |       |        |       |              |       |        |       |        |       |              |       |        |       |        |       |              |       |        |       |        |       |              |       |        |       |        |       |              |       |        |       |        |       |              |       |        |       |        |       |              |       |        |       |        |       |              |       |        |       |        |       |              |       |        |       |              |       |              |       |        |       |              |       |        |       |        |       |              |       |        |       |       |       |              |       |        |       |        |       |              |       |        |       |       |       |              |       |       |       |        |       |              |       |        |       |       |       |              |       |              |       |        |       |        |       |              |       |              |       |        |       |       |       |              |       |              |       |       |       |       |       |              |       |       |       |       |       |              |       |       |       |       |       |              |       |       |       |       |       |              |       |       |       |       |       |              |       |       |       |       |       |              |       |       |       |       |       |              |       |       |       |       |       |              |       |       |       |       |       |              |       |       |       |       |       |              |       |       |       |       |       |              |       |       |       |       |       |              |       |       |       |       |       |              |       |       |       |       |       |              |       |       |       |       |       |              |       |       |       |       |       |              |       |       |       |       |       |              |       |       |       |       |       |              |       |       |       |       |       |              |       |       |       |       |       |              |       |       |       |       |       |              |       |      |       |      |       |              |       |      |       |      |       |              |       |      |       |      |       |              |       |      |       |              |       |              |       |      |       |              |       |              |       |              |       |              |       |              |       |              |       |      |       |      |       |      |       |      |       |      |       |      |       |      |       |      |       |      |       |      |       |      |       |      |       |      |       |      |       |      |       |      |       |      |       |      |       |      |      |      |       |      |       |      |       |      |       |      |       |      |       |      |       |      |       |      |      |      |      |      |      |     |      |     |      |     |      |     |      |     |      |     |      |     |      |     |      |     |      |     |      |     |      |
| 1.5           | 8679       | 953      | 1.95                   | 1.7          | 7695    | 845           | 2.2        | 3.1          | 4062                   | 446          | 4.2     | 4.7          | 2741  | 301          | 6.2  | 0.86         | 14744 | 1619         | 0.77 | 1.0          | 12758 | 1401         | 0.88 | 1.1          | 11201 | 1230         | 1.01 | 1.3          | 9881  | 1085         | 1.14 | 1.5          | 8533  | 937          | 1.32 | 1.7          | 7531  | 827          | 1.50 | 1.9          | 6675  | 733          | 1.69 | 2.2          | 5828  | 640          | 1.94 | 1.5          | 8651  | 950          | 0.83 | 1.7          | 7595  | 834          | 0.95 | 1.9          | 6702  | 736          | 1.08 | 2.2          | 5710  | 627          | 1.26 |              |       |              |      |              |       |              |      |              |       |              |      |              |       |              |      |              |       |              |      |              |       |              |      |              |       |              |      |              |       |              |      |              |       |              |      |              |       |              |      |              |       |              |      |              |       |              |      |        |       |              |      |        |       |        |      |              |       |        |      |        |       |              |       |        |       |       |       |              |       |        |       |        |       |              |       |        |       |        |       |              |       |        |       |        |       |              |       |        |       |        |       |              |       |        |       |        |       |              |       |        |       |        |       |              |       |        |       |        |       |              |       |        |       |        |       |              |       |        |       |        |       |              |       |        |       |              |       |              |       |        |       |              |       |        |       |        |       |              |       |        |       |       |       |              |       |        |       |        |       |              |       |        |       |       |       |              |       |       |       |        |       |              |       |        |       |       |       |              |       |              |       |        |       |        |       |              |       |              |       |        |       |       |       |              |       |              |       |       |       |       |       |              |       |       |       |       |       |              |       |       |       |       |       |              |       |       |       |       |       |              |       |       |       |       |       |              |       |       |       |       |       |              |       |       |       |       |       |              |       |       |       |       |       |              |       |       |       |       |       |              |       |       |       |       |       |              |       |       |       |       |       |              |       |       |       |       |       |              |       |       |       |       |       |              |       |       |       |       |       |              |       |       |       |       |       |              |       |       |       |       |       |              |       |       |       |       |       |              |       |       |       |       |       |              |       |       |       |       |       |              |       |       |       |       |       |              |       |       |       |       |       |              |       |      |       |      |       |              |       |      |       |      |       |              |       |      |       |      |       |              |       |      |       |              |       |              |       |      |       |              |       |              |       |              |       |              |       |              |       |              |       |      |       |      |       |      |       |      |       |      |       |      |       |      |       |      |       |      |       |      |       |      |       |      |       |      |       |      |       |      |       |      |       |      |       |      |       |      |      |      |       |      |       |      |       |      |       |      |       |      |       |      |       |      |       |      |      |      |      |      |      |     |      |     |      |     |      |     |      |     |      |     |      |     |      |     |      |     |      |     |      |     |      |
| 1.7           | 7695       | 845      | 2.2                    | 3.1          | 4062    | 446           | 4.2        | 4.7          | 2741                   | 301          | 6.2     | 0.86         | 14744 | 1619         | 0.77 | 1.0          | 12758 | 1401         | 0.88 | 1.1          | 11201 | 1230         | 1.01 | 1.3          | 9881  | 1085         | 1.14 | 1.5          | 8533  | 937          | 1.32 | 1.7          | 7531  | 827          | 1.50 | 1.9          | 6675  | 733          | 1.69 | 2.2          | 5828  | 640          | 1.94 | 1.5          | 8651  | 950          | 0.83 | 1.7          | 7595  | 834          | 0.95 | 1.9          | 6702  | 736          | 1.08 | 2.2          | 5710  | 627          | 1.26 |              |       |              |      |              |       |              |      |              |       |              |      |              |       |              |      |              |       |              |      |              |       |              |      |              |       |              |      |              |       |              |      |              |       |              |      |              |       |              |      |              |       |              |      |              |       |              |      |              |       |              |      |        |       |              |      |        |       |        |      |              |       |        |      |        |       |              |       |        |       |       |       |              |       |        |       |        |       |              |       |        |       |        |       |              |       |        |       |        |       |              |       |        |       |        |       |              |       |        |       |        |       |              |       |        |       |        |       |              |       |        |       |        |       |              |       |        |       |        |       |              |       |        |       |        |       |              |       |        |       |              |       |              |       |        |       |              |       |        |       |        |       |              |       |        |       |       |       |              |       |        |       |        |       |              |       |        |       |       |       |              |       |       |       |        |       |              |       |        |       |       |       |              |       |              |       |        |       |        |       |              |       |              |       |        |       |       |       |              |       |              |       |       |       |       |       |              |       |       |       |       |       |              |       |       |       |       |       |              |       |       |       |       |       |              |       |       |       |       |       |              |       |       |       |       |       |              |       |       |       |       |       |              |       |       |       |       |       |              |       |       |       |       |       |              |       |       |       |       |       |              |       |       |       |       |       |              |       |       |       |       |       |              |       |       |       |       |       |              |       |       |       |       |       |              |       |       |       |       |       |              |       |       |       |       |       |              |       |       |       |       |       |              |       |       |       |       |       |              |       |       |       |       |       |              |       |       |       |       |       |              |       |       |       |       |       |              |       |      |       |      |       |              |       |      |       |      |       |              |       |      |       |      |       |              |       |      |       |              |       |              |       |      |       |              |       |              |       |              |       |              |       |              |       |              |       |      |       |      |       |      |       |      |       |      |       |      |       |      |       |      |       |      |       |      |       |      |       |      |       |      |       |      |       |      |       |      |       |      |       |      |       |      |      |      |       |      |       |      |       |      |       |      |       |      |       |      |       |      |       |      |      |      |      |      |      |     |      |     |      |     |      |     |      |     |      |     |      |     |      |     |      |     |      |     |      |     |      |
| 3.1           | 4062       | 446      | 4.2                    | 4.7          | 2741    | 301           | 6.2        | 0.86         | 14744                  | 1619         | 0.77    | 1.0          | 12758 | 1401         | 0.88 | 1.1          | 11201 | 1230         | 1.01 | 1.3          | 9881  | 1085         | 1.14 | 1.5          | 8533  | 937          | 1.32 | 1.7          | 7531  | 827          | 1.50 | 1.9          | 6675  | 733          | 1.69 | 2.2          | 5828  | 640          | 1.94 | 1.5          | 8651  | 950          | 0.83 | 1.7          | 7595  | 834          | 0.95 | 1.9          | 6702  | 736          | 1.08 | 2.2          | 5710  | 627          | 1.26 |              |       |              |      |              |       |              |      |              |       |              |      |              |       |              |      |              |       |              |      |              |       |              |      |              |       |              |      |              |       |              |      |              |       |              |      |              |       |              |      |              |       |              |      |              |       |              |      |              |       |              |      |              |       |              |      |        |       |              |      |        |       |        |      |              |       |        |      |        |       |              |       |        |       |       |       |              |       |        |       |        |       |              |       |        |       |        |       |              |       |        |       |        |       |              |       |        |       |        |       |              |       |        |       |        |       |              |       |        |       |        |       |              |       |        |       |        |       |              |       |        |       |        |       |              |       |        |       |        |       |              |       |        |       |              |       |              |       |        |       |              |       |        |       |        |       |              |       |        |       |       |       |              |       |        |       |        |       |              |       |        |       |       |       |              |       |       |       |        |       |              |       |        |       |       |       |              |       |              |       |        |       |        |       |              |       |              |       |        |       |       |       |              |       |              |       |       |       |       |       |              |       |       |       |       |       |              |       |       |       |       |       |              |       |       |       |       |       |              |       |       |       |       |       |              |       |       |       |       |       |              |       |       |       |       |       |              |       |       |       |       |       |              |       |       |       |       |       |              |       |       |       |       |       |              |       |       |       |       |       |              |       |       |       |       |       |              |       |       |       |       |       |              |       |       |       |       |       |              |       |       |       |       |       |              |       |       |       |       |       |              |       |       |       |       |       |              |       |       |       |       |       |              |       |       |       |       |       |              |       |       |       |       |       |              |       |       |       |       |       |              |       |      |       |      |       |              |       |      |       |      |       |              |       |      |       |      |       |              |       |      |       |              |       |              |       |      |       |              |       |              |       |              |       |              |       |              |       |              |       |      |       |      |       |      |       |      |       |      |       |      |       |      |       |      |       |      |       |      |       |      |       |      |       |      |       |      |       |      |       |      |       |      |       |      |       |      |      |      |       |      |       |      |       |      |       |      |       |      |       |      |       |      |       |      |      |      |      |      |      |     |      |     |      |     |      |     |      |     |      |     |      |     |      |     |      |     |      |     |      |     |      |
| 4.7           | 2741       | 301      | 6.2                    | 0.86         | 14744   | 1619          | 0.77       | 1.0          | 12758                  | 1401         | 0.88    | 1.1          | 11201 | 1230         | 1.01 | 1.3          | 9881  | 1085         | 1.14 | 1.5          | 8533  | 937          | 1.32 | 1.7          | 7531  | 827          | 1.50 | 1.9          | 6675  | 733          | 1.69 | 2.2          | 5828  | 640          | 1.94 | 1.5          | 8651  | 950          | 0.83 | 1.7          | 7595  | 834          | 0.95 | 1.9          | 6702  | 736          | 1.08 | 2.2          | 5710  | 627          | 1.26 |              |       |              |      |              |       |              |      |              |       |              |      |              |       |              |      |              |       |              |      |              |       |              |      |              |       |              |      |              |       |              |      |              |       |              |      |              |       |              |      |              |       |              |      |              |       |              |      |              |       |              |      |              |       |              |      |              |       |              |      |        |       |              |      |        |       |        |      |              |       |        |      |        |       |              |       |        |       |       |       |              |       |        |       |        |       |              |       |        |       |        |       |              |       |        |       |        |       |              |       |        |       |        |       |              |       |        |       |        |       |              |       |        |       |        |       |              |       |        |       |        |       |              |       |        |       |        |       |              |       |        |       |        |       |              |       |        |       |              |       |              |       |        |       |              |       |        |       |        |       |              |       |        |       |       |       |              |       |        |       |        |       |              |       |        |       |       |       |              |       |       |       |        |       |              |       |        |       |       |       |              |       |              |       |        |       |        |       |              |       |              |       |        |       |       |       |              |       |              |       |       |       |       |       |              |       |       |       |       |       |              |       |       |       |       |       |              |       |       |       |       |       |              |       |       |       |       |       |              |       |       |       |       |       |              |       |       |       |       |       |              |       |       |       |       |       |              |       |       |       |       |       |              |       |       |       |       |       |              |       |       |       |       |       |              |       |       |       |       |       |              |       |       |       |       |       |              |       |       |       |       |       |              |       |       |       |       |       |              |       |       |       |       |       |              |       |       |       |       |       |              |       |       |       |       |       |              |       |       |       |       |       |              |       |       |       |       |       |              |       |       |       |       |       |              |       |      |       |      |       |              |       |      |       |      |       |              |       |      |       |      |       |              |       |      |       |              |       |              |       |      |       |              |       |              |       |              |       |              |       |              |       |              |       |      |       |      |       |      |       |      |       |      |       |      |       |      |       |      |       |      |       |      |       |      |       |      |       |      |       |      |       |      |       |      |       |      |       |      |       |      |      |      |       |      |       |      |       |      |       |      |       |      |       |      |       |      |       |      |      |      |      |      |      |     |      |     |      |     |      |     |      |     |      |     |      |     |      |     |      |     |      |     |      |     |      |
| 0.86          | 14744      | 1619     | 0.77                   | 1.0          | 12758   | 1401          | 0.88       | 1.1          | 11201                  | 1230         | 1.01    | 1.3          | 9881  | 1085         | 1.14 | 1.5          | 8533  | 937          | 1.32 | 1.7          | 7531  | 827          | 1.50 | 1.9          | 6675  | 733          | 1.69 | 2.2          | 5828  | 640          | 1.94 | 1.5          | 8651  | 950          | 0.83 | 1.7          | 7595  | 834          | 0.95 | 1.9          | 6702  | 736          | 1.08 | 2.2          | 5710  | 627          | 1.26 |              |       |              |      |              |       |              |      |              |       |              |      |              |       |              |      |              |       |              |      |              |       |              |      |              |       |              |      |              |       |              |      |              |       |              |      |              |       |              |      |              |       |              |      |              |       |              |      |              |       |              |      |              |       |              |      |              |       |              |      |              |       |              |      |        |       |              |      |        |       |        |      |              |       |        |      |        |       |              |       |        |       |       |       |              |       |        |       |        |       |              |       |        |       |        |       |              |       |        |       |        |       |              |       |        |       |        |       |              |       |        |       |        |       |              |       |        |       |        |       |              |       |        |       |        |       |              |       |        |       |        |       |              |       |        |       |        |       |              |       |        |       |              |       |              |       |        |       |              |       |        |       |        |       |              |       |        |       |       |       |              |       |        |       |        |       |              |       |        |       |       |       |              |       |       |       |        |       |              |       |        |       |       |       |              |       |              |       |        |       |        |       |              |       |              |       |        |       |       |       |              |       |              |       |       |       |       |       |              |       |       |       |       |       |              |       |       |       |       |       |              |       |       |       |       |       |              |       |       |       |       |       |              |       |       |       |       |       |              |       |       |       |       |       |              |       |       |       |       |       |              |       |       |       |       |       |              |       |       |       |       |       |              |       |       |       |       |       |              |       |       |       |       |       |              |       |       |       |       |       |              |       |       |       |       |       |              |       |       |       |       |       |              |       |       |       |       |       |              |       |       |       |       |       |              |       |       |       |       |       |              |       |       |       |       |       |              |       |       |       |       |       |              |       |       |       |       |       |              |       |      |       |      |       |              |       |      |       |      |       |              |       |      |       |      |       |              |       |      |       |              |       |              |       |      |       |              |       |              |       |              |       |              |       |              |       |              |       |      |       |      |       |      |       |      |       |      |       |      |       |      |       |      |       |      |       |      |       |      |       |      |       |      |       |      |       |      |       |      |       |      |       |      |       |      |      |      |       |      |       |      |       |      |       |      |       |      |       |      |       |      |       |      |      |      |      |      |      |     |      |     |      |     |      |     |      |     |      |     |      |     |      |     |      |     |      |     |      |     |      |
| 1.0           | 12758      | 1401     | 0.88                   | 1.1          | 11201   | 1230          | 1.01       | 1.3          | 9881                   | 1085         | 1.14    | 1.5          | 8533  | 937          | 1.32 | 1.7          | 7531  | 827          | 1.50 | 1.9          | 6675  | 733          | 1.69 | 2.2          | 5828  | 640          | 1.94 | 1.5          | 8651  | 950          | 0.83 | 1.7          | 7595  | 834          | 0.95 | 1.9          | 6702  | 736          | 1.08 | 2.2          | 5710  | 627          | 1.26 |              |       |              |      |              |       |              |      |              |       |              |      |              |       |              |      |              |       |              |      |              |       |              |      |              |       |              |      |              |       |              |      |              |       |              |      |              |       |              |      |              |       |              |      |              |       |              |      |              |       |              |      |              |       |              |      |              |       |              |      |              |       |              |      |              |       |              |      |        |       |              |      |        |       |        |      |              |       |        |      |        |       |              |       |        |       |       |       |              |       |        |       |        |       |              |       |        |       |        |       |              |       |        |       |        |       |              |       |        |       |        |       |              |       |        |       |        |       |              |       |        |       |        |       |              |       |        |       |        |       |              |       |        |       |        |       |              |       |        |       |        |       |              |       |        |       |              |       |              |       |        |       |              |       |        |       |        |       |              |       |        |       |       |       |              |       |        |       |        |       |              |       |        |       |       |       |              |       |       |       |        |       |              |       |        |       |       |       |              |       |              |       |        |       |        |       |              |       |              |       |        |       |       |       |              |       |              |       |       |       |       |       |              |       |       |       |       |       |              |       |       |       |       |       |              |       |       |       |       |       |              |       |       |       |       |       |              |       |       |       |       |       |              |       |       |       |       |       |              |       |       |       |       |       |              |       |       |       |       |       |              |       |       |       |       |       |              |       |       |       |       |       |              |       |       |       |       |       |              |       |       |       |       |       |              |       |       |       |       |       |              |       |       |       |       |       |              |       |       |       |       |       |              |       |       |       |       |       |              |       |       |       |       |       |              |       |       |       |       |       |              |       |       |       |       |       |              |       |       |       |       |       |              |       |      |       |      |       |              |       |      |       |      |       |              |       |      |       |      |       |              |       |      |       |              |       |              |       |      |       |              |       |              |       |              |       |              |       |              |       |              |       |      |       |      |       |      |       |      |       |      |       |      |       |      |       |      |       |      |       |      |       |      |       |      |       |      |       |      |       |      |       |      |       |      |       |      |       |      |      |      |       |      |       |      |       |      |       |      |       |      |       |      |       |      |       |      |      |      |      |      |      |     |      |     |      |     |      |     |      |     |      |     |      |     |      |     |      |     |      |     |      |     |      |
| 1.1           | 11201      | 1230     | 1.01                   | 1.3          | 9881    | 1085          | 1.14       | 1.5          | 8533                   | 937          | 1.32    | 1.7          | 7531  | 827          | 1.50 | 1.9          | 6675  | 733          | 1.69 | 2.2          | 5828  | 640          | 1.94 | 1.5          | 8651  | 950          | 0.83 | 1.7          | 7595  | 834          | 0.95 | 1.9          | 6702  | 736          | 1.08 | 2.2          | 5710  | 627          | 1.26 |              |       |              |      |              |       |              |      |              |       |              |      |              |       |              |      |              |       |              |      |              |       |              |      |              |       |              |      |              |       |              |      |              |       |              |      |              |       |              |      |              |       |              |      |              |       |              |      |              |       |              |      |              |       |              |      |              |       |              |      |              |       |              |      |              |       |              |      |              |       |              |      |        |       |              |      |        |       |        |      |              |       |        |      |        |       |              |       |        |       |       |       |              |       |        |       |        |       |              |       |        |       |        |       |              |       |        |       |        |       |              |       |        |       |        |       |              |       |        |       |        |       |              |       |        |       |        |       |              |       |        |       |        |       |              |       |        |       |        |       |              |       |        |       |        |       |              |       |        |       |              |       |              |       |        |       |              |       |        |       |        |       |              |       |        |       |       |       |              |       |        |       |        |       |              |       |        |       |       |       |              |       |       |       |        |       |              |       |        |       |       |       |              |       |              |       |        |       |        |       |              |       |              |       |        |       |       |       |              |       |              |       |       |       |       |       |              |       |       |       |       |       |              |       |       |       |       |       |              |       |       |       |       |       |              |       |       |       |       |       |              |       |       |       |       |       |              |       |       |       |       |       |              |       |       |       |       |       |              |       |       |       |       |       |              |       |       |       |       |       |              |       |       |       |       |       |              |       |       |       |       |       |              |       |       |       |       |       |              |       |       |       |       |       |              |       |       |       |       |       |              |       |       |       |       |       |              |       |       |       |       |       |              |       |       |       |       |       |              |       |       |       |       |       |              |       |       |       |       |       |              |       |       |       |       |       |              |       |      |       |      |       |              |       |      |       |      |       |              |       |      |       |      |       |              |       |      |       |              |       |              |       |      |       |              |       |              |       |              |       |              |       |              |       |              |       |      |       |      |       |      |       |      |       |      |       |      |       |      |       |      |       |      |       |      |       |      |       |      |       |      |       |      |       |      |       |      |       |      |       |      |       |      |      |      |       |      |       |      |       |      |       |      |       |      |       |      |       |      |       |      |      |      |      |      |      |     |      |     |      |     |      |     |      |     |      |     |      |     |      |     |      |     |      |     |      |     |      |
| 1.3           | 9881       | 1085     | 1.14                   | 1.5          | 8533    | 937           | 1.32       | 1.7          | 7531                   | 827          | 1.50    | 1.9          | 6675  | 733          | 1.69 | 2.2          | 5828  | 640          | 1.94 | 1.5          | 8651  | 950          | 0.83 | 1.7          | 7595  | 834          | 0.95 | 1.9          | 6702  | 736          | 1.08 | 2.2          | 5710  | 627          | 1.26 |              |       |              |      |              |       |              |      |              |       |              |      |              |       |              |      |              |       |              |      |              |       |              |      |              |       |              |      |              |       |              |      |              |       |              |      |              |       |              |      |              |       |              |      |              |       |              |      |              |       |              |      |              |       |              |      |              |       |              |      |              |       |              |      |              |       |              |      |              |       |              |      |              |       |              |      |        |       |              |      |        |       |        |      |              |       |        |      |        |       |              |       |        |       |       |       |              |       |        |       |        |       |              |       |        |       |        |       |              |       |        |       |        |       |              |       |        |       |        |       |              |       |        |       |        |       |              |       |        |       |        |       |              |       |        |       |        |       |              |       |        |       |        |       |              |       |        |       |        |       |              |       |        |       |              |       |              |       |        |       |              |       |        |       |        |       |              |       |        |       |       |       |              |       |        |       |        |       |              |       |        |       |       |       |              |       |       |       |        |       |              |       |        |       |       |       |              |       |              |       |        |       |        |       |              |       |              |       |        |       |       |       |              |       |              |       |       |       |       |       |              |       |       |       |       |       |              |       |       |       |       |       |              |       |       |       |       |       |              |       |       |       |       |       |              |       |       |       |       |       |              |       |       |       |       |       |              |       |       |       |       |       |              |       |       |       |       |       |              |       |       |       |       |       |              |       |       |       |       |       |              |       |       |       |       |       |              |       |       |       |       |       |              |       |       |       |       |       |              |       |       |       |       |       |              |       |       |       |       |       |              |       |       |       |       |       |              |       |       |       |       |       |              |       |       |       |       |       |              |       |       |       |       |       |              |       |       |       |       |       |              |       |      |       |      |       |              |       |      |       |      |       |              |       |      |       |      |       |              |       |      |       |              |       |              |       |      |       |              |       |              |       |              |       |              |       |              |       |              |       |      |       |      |       |      |       |      |       |      |       |      |       |      |       |      |       |      |       |      |       |      |       |      |       |      |       |      |       |      |       |      |       |      |       |      |       |      |      |      |       |      |       |      |       |      |       |      |       |      |       |      |       |      |       |      |      |      |      |      |      |     |      |     |      |     |      |     |      |     |      |     |      |     |      |     |      |     |      |     |      |     |      |
| 1.5           | 8533       | 937      | 1.32                   | 1.7          | 7531    | 827           | 1.50       | 1.9          | 6675                   | 733          | 1.69    | 2.2          | 5828  | 640          | 1.94 | 1.5          | 8651  | 950          | 0.83 | 1.7          | 7595  | 834          | 0.95 | 1.9          | 6702  | 736          | 1.08 | 2.2          | 5710  | 627          | 1.26 |              |       |              |      |              |       |              |      |              |       |              |      |              |       |              |      |              |       |              |      |              |       |              |      |              |       |              |      |              |       |              |      |              |       |              |      |              |       |              |      |              |       |              |      |              |       |              |      |              |       |              |      |              |       |              |      |              |       |              |      |              |       |              |      |              |       |              |      |              |       |              |      |              |       |              |      |              |       |              |      |        |       |              |      |        |       |        |      |              |       |        |      |        |       |              |       |        |       |       |       |              |       |        |       |        |       |              |       |        |       |        |       |              |       |        |       |        |       |              |       |        |       |        |       |              |       |        |       |        |       |              |       |        |       |        |       |              |       |        |       |        |       |              |       |        |       |        |       |              |       |        |       |        |       |              |       |        |       |              |       |              |       |        |       |              |       |        |       |        |       |              |       |        |       |       |       |              |       |        |       |        |       |              |       |        |       |       |       |              |       |       |       |        |       |              |       |        |       |       |       |              |       |              |       |        |       |        |       |              |       |              |       |        |       |       |       |              |       |              |       |       |       |       |       |              |       |       |       |       |       |              |       |       |       |       |       |              |       |       |       |       |       |              |       |       |       |       |       |              |       |       |       |       |       |              |       |       |       |       |       |              |       |       |       |       |       |              |       |       |       |       |       |              |       |       |       |       |       |              |       |       |       |       |       |              |       |       |       |       |       |              |       |       |       |       |       |              |       |       |       |       |       |              |       |       |       |       |       |              |       |       |       |       |       |              |       |       |       |       |       |              |       |       |       |       |       |              |       |       |       |       |       |              |       |       |       |       |       |              |       |       |       |       |       |              |       |      |       |      |       |              |       |      |       |      |       |              |       |      |       |      |       |              |       |      |       |              |       |              |       |      |       |              |       |              |       |              |       |              |       |              |       |              |       |      |       |      |       |      |       |      |       |      |       |      |       |      |       |      |       |      |       |      |       |      |       |      |       |      |       |      |       |      |       |      |       |      |       |      |       |      |      |      |       |      |       |      |       |      |       |      |       |      |       |      |       |      |       |      |      |      |      |      |      |     |      |     |      |     |      |     |      |     |      |     |      |     |      |     |      |     |      |     |      |     |      |
| 1.7           | 7531       | 827      | 1.50                   | 1.9          | 6675    | 733           | 1.69       | 2.2          | 5828                   | 640          | 1.94    | 1.5          | 8651  | 950          | 0.83 | 1.7          | 7595  | 834          | 0.95 | 1.9          | 6702  | 736          | 1.08 | 2.2          | 5710  | 627          | 1.26 |              |       |              |      |              |       |              |      |              |       |              |      |              |       |              |      |              |       |              |      |              |       |              |      |              |       |              |      |              |       |              |      |              |       |              |      |              |       |              |      |              |       |              |      |              |       |              |      |              |       |              |      |              |       |              |      |              |       |              |      |              |       |              |      |              |       |              |      |              |       |              |      |              |       |              |      |              |       |              |      |              |       |              |      |        |       |              |      |        |       |        |      |              |       |        |      |        |       |              |       |        |       |       |       |              |       |        |       |        |       |              |       |        |       |        |       |              |       |        |       |        |       |              |       |        |       |        |       |              |       |        |       |        |       |              |       |        |       |        |       |              |       |        |       |        |       |              |       |        |       |        |       |              |       |        |       |        |       |              |       |        |       |              |       |              |       |        |       |              |       |        |       |        |       |              |       |        |       |       |       |              |       |        |       |        |       |              |       |        |       |       |       |              |       |       |       |        |       |              |       |        |       |       |       |              |       |              |       |        |       |        |       |              |       |              |       |        |       |       |       |              |       |              |       |       |       |       |       |              |       |       |       |       |       |              |       |       |       |       |       |              |       |       |       |       |       |              |       |       |       |       |       |              |       |       |       |       |       |              |       |       |       |       |       |              |       |       |       |       |       |              |       |       |       |       |       |              |       |       |       |       |       |              |       |       |       |       |       |              |       |       |       |       |       |              |       |       |       |       |       |              |       |       |       |       |       |              |       |       |       |       |       |              |       |       |       |       |       |              |       |       |       |       |       |              |       |       |       |       |       |              |       |       |       |       |       |              |       |       |       |       |       |              |       |       |       |       |       |              |       |      |       |      |       |              |       |      |       |      |       |              |       |      |       |      |       |              |       |      |       |              |       |              |       |      |       |              |       |              |       |              |       |              |       |              |       |              |       |      |       |      |       |      |       |      |       |      |       |      |       |      |       |      |       |      |       |      |       |      |       |      |       |      |       |      |       |      |       |      |       |      |       |      |       |      |      |      |       |      |       |      |       |      |       |      |       |      |       |      |       |      |       |      |      |      |      |      |      |     |      |     |      |     |      |     |      |     |      |     |      |     |      |     |      |     |      |     |      |     |      |
| 1.9           | 6675       | 733      | 1.69                   | 2.2          | 5828    | 640           | 1.94       | 1.5          | 8651                   | 950          | 0.83    | 1.7          | 7595  | 834          | 0.95 | 1.9          | 6702  | 736          | 1.08 | 2.2          | 5710  | 627          | 1.26 |              |       |              |      |              |       |              |      |              |       |              |      |              |       |              |      |              |       |              |      |              |       |              |      |              |       |              |      |              |       |              |      |              |       |              |      |              |       |              |      |              |       |              |      |              |       |              |      |              |       |              |      |              |       |              |      |              |       |              |      |              |       |              |      |              |       |              |      |              |       |              |      |              |       |              |      |              |       |              |      |              |       |              |      |              |       |              |      |        |       |              |      |        |       |        |      |              |       |        |      |        |       |              |       |        |       |       |       |              |       |        |       |        |       |              |       |        |       |        |       |              |       |        |       |        |       |              |       |        |       |        |       |              |       |        |       |        |       |              |       |        |       |        |       |              |       |        |       |        |       |              |       |        |       |        |       |              |       |        |       |        |       |              |       |        |       |              |       |              |       |        |       |              |       |        |       |        |       |              |       |        |       |       |       |              |       |        |       |        |       |              |       |        |       |       |       |              |       |       |       |        |       |              |       |        |       |       |       |              |       |              |       |        |       |        |       |              |       |              |       |        |       |       |       |              |       |              |       |       |       |       |       |              |       |       |       |       |       |              |       |       |       |       |       |              |       |       |       |       |       |              |       |       |       |       |       |              |       |       |       |       |       |              |       |       |       |       |       |              |       |       |       |       |       |              |       |       |       |       |       |              |       |       |       |       |       |              |       |       |       |       |       |              |       |       |       |       |       |              |       |       |       |       |       |              |       |       |       |       |       |              |       |       |       |       |       |              |       |       |       |       |       |              |       |       |       |       |       |              |       |       |       |       |       |              |       |       |       |       |       |              |       |       |       |       |       |              |       |       |       |       |       |              |       |      |       |      |       |              |       |      |       |      |       |              |       |      |       |      |       |              |       |      |       |              |       |              |       |      |       |              |       |              |       |              |       |              |       |              |       |              |       |      |       |      |       |      |       |      |       |      |       |      |       |      |       |      |       |      |       |      |       |      |       |      |       |      |       |      |       |      |       |      |       |      |       |      |       |      |      |      |       |      |       |      |       |      |       |      |       |      |       |      |       |      |       |      |      |      |      |      |      |     |      |     |      |     |      |     |      |     |      |     |      |     |      |     |      |     |      |     |      |     |      |
| 2.2           | 5828       | 640      | 1.94                   | 1.5          | 8651    | 950           | 0.83       | 1.7          | 7595                   | 834          | 0.95    | 1.9          | 6702  | 736          | 1.08 | 2.2          | 5710  | 627          | 1.26 |              |       |              |      |              |       |              |      |              |       |              |      |              |       |              |      |              |       |              |      |              |       |              |      |              |       |              |      |              |       |              |      |              |       |              |      |              |       |              |      |              |       |              |      |              |       |              |      |              |       |              |      |              |       |              |      |              |       |              |      |              |       |              |      |              |       |              |      |              |       |              |      |              |       |              |      |              |       |              |      |              |       |              |      |              |       |              |      |              |       |              |      |        |       |              |      |        |       |        |      |              |       |        |      |        |       |              |       |        |       |       |       |              |       |        |       |        |       |              |       |        |       |        |       |              |       |        |       |        |       |              |       |        |       |        |       |              |       |        |       |        |       |              |       |        |       |        |       |              |       |        |       |        |       |              |       |        |       |        |       |              |       |        |       |        |       |              |       |        |       |              |       |              |       |        |       |              |       |        |       |        |       |              |       |        |       |       |       |              |       |        |       |        |       |              |       |        |       |       |       |              |       |       |       |        |       |              |       |        |       |       |       |              |       |              |       |        |       |        |       |              |       |              |       |        |       |       |       |              |       |              |       |       |       |       |       |              |       |       |       |       |       |              |       |       |       |       |       |              |       |       |       |       |       |              |       |       |       |       |       |              |       |       |       |       |       |              |       |       |       |       |       |              |       |       |       |       |       |              |       |       |       |       |       |              |       |       |       |       |       |              |       |       |       |       |       |              |       |       |       |       |       |              |       |       |       |       |       |              |       |       |       |       |       |              |       |       |       |       |       |              |       |       |       |       |       |              |       |       |       |       |       |              |       |       |       |       |       |              |       |       |       |       |       |              |       |       |       |       |       |              |       |       |       |       |       |              |       |      |       |      |       |              |       |      |       |      |       |              |       |      |       |      |       |              |       |      |       |              |       |              |       |      |       |              |       |              |       |              |       |              |       |              |       |              |       |      |       |      |       |      |       |      |       |      |       |      |       |      |       |      |       |      |       |      |       |      |       |      |       |      |       |      |       |      |       |      |       |      |       |      |       |      |      |      |       |      |       |      |       |      |       |      |       |      |       |      |       |      |       |      |      |      |      |      |      |     |      |     |      |     |      |     |      |     |      |     |      |     |      |     |      |     |      |     |      |     |      |
| 1.5           | 8651       | 950      | 0.83                   | 1.7          | 7595    | 834           | 0.95       | 1.9          | 6702                   | 736          | 1.08    | 2.2          | 5710  | 627          | 1.26 |              |       |              |      |              |       |              |      |              |       |              |      |              |       |              |      |              |       |              |      |              |       |              |      |              |       |              |      |              |       |              |      |              |       |              |      |              |       |              |      |              |       |              |      |              |       |              |      |              |       |              |      |              |       |              |      |              |       |              |      |              |       |              |      |              |       |              |      |              |       |              |      |              |       |              |      |              |       |              |      |              |       |              |      |              |       |              |      |              |       |              |      |              |       |              |      |        |       |              |      |        |       |        |      |              |       |        |      |        |       |              |       |        |       |       |       |              |       |        |       |        |       |              |       |        |       |        |       |              |       |        |       |        |       |              |       |        |       |        |       |              |       |        |       |        |       |              |       |        |       |        |       |              |       |        |       |        |       |              |       |        |       |        |       |              |       |        |       |        |       |              |       |        |       |              |       |              |       |        |       |              |       |        |       |        |       |              |       |        |       |       |       |              |       |        |       |        |       |              |       |        |       |       |       |              |       |       |       |        |       |              |       |        |       |       |       |              |       |              |       |        |       |        |       |              |       |              |       |        |       |       |       |              |       |              |       |       |       |       |       |              |       |       |       |       |       |              |       |       |       |       |       |              |       |       |       |       |       |              |       |       |       |       |       |              |       |       |       |       |       |              |       |       |       |       |       |              |       |       |       |       |       |              |       |       |       |       |       |              |       |       |       |       |       |              |       |       |       |       |       |              |       |       |       |       |       |              |       |       |       |       |       |              |       |       |       |       |       |              |       |       |       |       |       |              |       |       |       |       |       |              |       |       |       |       |       |              |       |       |       |       |       |              |       |       |       |       |       |              |       |       |       |       |       |              |       |       |       |       |       |              |       |      |       |      |       |              |       |      |       |      |       |              |       |      |       |      |       |              |       |      |       |              |       |              |       |      |       |              |       |              |       |              |       |              |       |              |       |              |       |      |       |      |       |      |       |      |       |      |       |      |       |      |       |      |       |      |       |      |       |      |       |      |       |      |       |      |       |      |       |      |       |      |       |      |       |      |      |      |       |      |       |      |       |      |       |      |       |      |       |      |       |      |       |      |      |      |      |      |      |     |      |     |      |     |      |     |      |     |      |     |      |     |      |     |      |     |      |     |      |     |      |
| 1.7           | 7595       | 834      | 0.95                   | 1.9          | 6702    | 736           | 1.08       | 2.2          | 5710                   | 627          | 1.26    |              |       |              |      |              |       |              |      |              |       |              |      |              |       |              |      |              |       |              |      |              |       |              |      |              |       |              |      |              |       |              |      |              |       |              |      |              |       |              |      |              |       |              |      |              |       |              |      |              |       |              |      |              |       |              |      |              |       |              |      |              |       |              |      |              |       |              |      |              |       |              |      |              |       |              |      |              |       |              |      |              |       |              |      |              |       |              |      |              |       |              |      |              |       |              |      |              |       |              |      |        |       |              |      |        |       |        |      |              |       |        |      |        |       |              |       |        |       |       |       |              |       |        |       |        |       |              |       |        |       |        |       |              |       |        |       |        |       |              |       |        |       |        |       |              |       |        |       |        |       |              |       |        |       |        |       |              |       |        |       |        |       |              |       |        |       |        |       |              |       |        |       |        |       |              |       |        |       |              |       |              |       |        |       |              |       |        |       |        |       |              |       |        |       |       |       |              |       |        |       |        |       |              |       |        |       |       |       |              |       |       |       |        |       |              |       |        |       |       |       |              |       |              |       |        |       |        |       |              |       |              |       |        |       |       |       |              |       |              |       |       |       |       |       |              |       |       |       |       |       |              |       |       |       |       |       |              |       |       |       |       |       |              |       |       |       |       |       |              |       |       |       |       |       |              |       |       |       |       |       |              |       |       |       |       |       |              |       |       |       |       |       |              |       |       |       |       |       |              |       |       |       |       |       |              |       |       |       |       |       |              |       |       |       |       |       |              |       |       |       |       |       |              |       |       |       |       |       |              |       |       |       |       |       |              |       |       |       |       |       |              |       |       |       |       |       |              |       |       |       |       |       |              |       |       |       |       |       |              |       |       |       |       |       |              |       |      |       |      |       |              |       |      |       |      |       |              |       |      |       |      |       |              |       |      |       |              |       |              |       |      |       |              |       |              |       |              |       |              |       |              |       |              |       |      |       |      |       |      |       |      |       |      |       |      |       |      |       |      |       |      |       |      |       |      |       |      |       |      |       |      |       |      |       |      |       |      |       |      |       |      |      |      |       |      |       |      |       |      |       |      |       |      |       |      |       |      |       |      |      |      |      |      |      |     |      |     |      |     |      |     |      |     |      |     |      |     |      |     |      |     |      |     |      |     |      |
| 1.9           | 6702       | 736      | 1.08                   | 2.2          | 5710    | 627           | 1.26       |              |                        |              |         |              |       |              |      |              |       |              |      |              |       |              |      |              |       |              |      |              |       |              |      |              |       |              |      |              |       |              |      |              |       |              |      |              |       |              |      |              |       |              |      |              |       |              |      |              |       |              |      |              |       |              |      |              |       |              |      |              |       |              |      |              |       |              |      |              |       |              |      |              |       |              |      |              |       |              |      |              |       |              |      |              |       |              |      |              |       |              |      |              |       |              |      |              |       |              |      |              |       |              |      |        |       |              |      |        |       |        |      |              |       |        |      |        |       |              |       |        |       |       |       |              |       |        |       |        |       |              |       |        |       |        |       |              |       |        |       |        |       |              |       |        |       |        |       |              |       |        |       |        |       |              |       |        |       |        |       |              |       |        |       |        |       |              |       |        |       |        |       |              |       |        |       |        |       |              |       |        |       |              |       |              |       |        |       |              |       |        |       |        |       |              |       |        |       |       |       |              |       |        |       |        |       |              |       |        |       |       |       |              |       |       |       |        |       |              |       |        |       |       |       |              |       |              |       |        |       |        |       |              |       |              |       |        |       |       |       |              |       |              |       |       |       |       |       |              |       |       |       |       |       |              |       |       |       |       |       |              |       |       |       |       |       |              |       |       |       |       |       |              |       |       |       |       |       |              |       |       |       |       |       |              |       |       |       |       |       |              |       |       |       |       |       |              |       |       |       |       |       |              |       |       |       |       |       |              |       |       |       |       |       |              |       |       |       |       |       |              |       |       |       |       |       |              |       |       |       |       |       |              |       |       |       |       |       |              |       |       |       |       |       |              |       |       |       |       |       |              |       |       |       |       |       |              |       |       |       |       |       |              |       |       |       |       |       |              |       |      |       |      |       |              |       |      |       |      |       |              |       |      |       |      |       |              |       |      |       |              |       |              |       |      |       |              |       |              |       |              |       |              |       |              |       |              |       |      |       |      |       |      |       |      |       |      |       |      |       |      |       |      |       |      |       |      |       |      |       |      |       |      |       |      |       |      |       |      |       |      |       |      |       |      |      |      |       |      |       |      |       |      |       |      |       |      |       |      |       |      |       |      |      |      |      |      |      |     |      |     |      |     |      |     |      |     |      |     |      |     |      |     |      |     |      |     |      |     |      |
| 2.2           | 5710       | 627      | 1.26                   |              |         |               |            |              |                        |              |         |              |       |              |      |              |       |              |      |              |       |              |      |              |       |              |      |              |       |              |      |              |       |              |      |              |       |              |      |              |       |              |      |              |       |              |      |              |       |              |      |              |       |              |      |              |       |              |      |              |       |              |      |              |       |              |      |              |       |              |      |              |       |              |      |              |       |              |      |              |       |              |      |              |       |              |      |              |       |              |      |              |       |              |      |              |       |              |      |              |       |              |      |              |       |              |      |              |       |              |      |        |       |              |      |        |       |        |      |              |       |        |      |        |       |              |       |        |       |       |       |              |       |        |       |        |       |              |       |        |       |        |       |              |       |        |       |        |       |              |       |        |       |        |       |              |       |        |       |        |       |              |       |        |       |        |       |              |       |        |       |        |       |              |       |        |       |        |       |              |       |        |       |        |       |              |       |        |       |              |       |              |       |        |       |              |       |        |       |        |       |              |       |        |       |       |       |              |       |        |       |        |       |              |       |        |       |       |       |              |       |       |       |        |       |              |       |        |       |       |       |              |       |              |       |        |       |        |       |              |       |              |       |        |       |       |       |              |       |              |       |       |       |       |       |              |       |       |       |       |       |              |       |       |       |       |       |              |       |       |       |       |       |              |       |       |       |       |       |              |       |       |       |       |       |              |       |       |       |       |       |              |       |       |       |       |       |              |       |       |       |       |       |              |       |       |       |       |       |              |       |       |       |       |       |              |       |       |       |       |       |              |       |       |       |       |       |              |       |       |       |       |       |              |       |       |       |       |       |              |       |       |       |       |       |              |       |       |       |       |       |              |       |       |       |       |       |              |       |       |       |       |       |              |       |       |       |       |       |              |       |       |       |       |       |              |       |      |       |      |       |              |       |      |       |      |       |              |       |      |       |      |       |              |       |      |       |              |       |              |       |      |       |              |       |              |       |              |       |              |       |              |       |              |       |      |       |      |       |      |       |      |       |      |       |      |       |      |       |      |       |      |       |      |       |      |       |      |       |      |       |      |       |      |       |      |       |      |       |      |       |      |      |      |       |      |       |      |       |      |       |      |       |      |       |      |       |      |       |      |      |      |      |      |      |     |      |     |      |     |      |     |      |     |      |     |      |     |      |     |      |     |      |     |      |     |      |

减速机的外形安装尺寸在95页到101页里查找。The appearance of reducer installation dimensions in 95 to 101 page search page.



| 输出转速<br>r/min   | 输出扭矩<br>Nm | 传动比<br>i | 使用系数<br>f <sub>B</sub> | 机型号<br>Type     | 极数<br>p | 输出转速<br>r/min   | 输出扭矩<br>Nm | 传动比<br>i     | 使用系数<br>f <sub>B</sub> | 机型号<br>Type     | 极数<br>p |              |      |                 |       |                 |       |                 |       |                 |       |              |       |                 |       |                 |       |              |       |              |       |                 |       |              |       |              |       |                 |       |              |       |              |       |                 |       |              |       |              |       |                 |       |              |       |              |       |                 |       |              |       |              |       |                 |       |              |       |              |       |                 |       |              |       |              |       |                 |       |              |       |              |       |                 |       |              |       |              |       |                 |       |              |       |              |       |                 |       |              |       |              |       |                 |       |              |       |              |       |              |       |              |       |              |       |              |       |              |       |              |       |              |       |              |       |                 |       |              |       |                 |       |                 |       |                 |       |                 |       |                 |       |                 |       |                 |       |                 |       |                 |       |                 |       |                 |       |                 |       |                 |       |                 |       |                 |       |                 |       |                 |       |                 |       |                 |       |                 |       |                 |       |                 |       |                 |       |                 |       |                 |       |                 |       |                 |       |                 |       |                 |       |                 |       |                 |       |                 |       |                 |       |                 |       |                 |       |                 |       |                 |       |                 |       |                 |       |                 |       |                 |       |                 |       |                 |       |                 |       |                 |       |                 |       |                 |       |                 |       |                 |       |                 |       |                 |       |                 |       |                 |       |                 |       |                 |       |                 |       |                 |       |                 |       |                 |       |                 |       |                 |       |                 |       |                 |       |                 |       |                 |       |                 |       |                 |       |                 |       |                 |       |                 |       |                 |       |                 |       |                 |       |                 |       |                 |       |                 |       |                 |       |                 |       |                 |       |                 |       |                 |       |                 |       |                 |       |                 |       |                 |       |                 |       |                 |       |                 |       |                 |       |                 |       |                 |       |                 |       |                 |       |                 |       |                 |       |                 |       |                 |       |                 |       |                 |       |                 |       |                 |       |                 |       |                 |       |                 |       |                 |       |                 |       |                 |       |                 |       |                 |       |                 |       |                 |       |                 |       |                 |       |                 |       |                 |       |                 |       |                 |       |                 |       |                 |       |                 |       |                 |       |                 |       |                 |       |                 |       |                 |       |                 |       |                 |       |                 |       |                 |       |                 |       |                 |       |                 |       |                 |       |                 |       |                 |       |                 |       |                 |       |                 |       |                 |       |                 |      |                 |       |                 |       |                 |       |                 |       |                 |       |                 |       |                 |       |                 |       |                 |       |                 |       |                 |       |                 |       |                 |       |                 |       |                 |       |                 |       |                 |       |                 |       |                 |       |                 |       |                 |       |                 |       |                 |       |                 |       |                 |       |                 |       |                 |       |                 |       |                 |       |                 |       |                 |       |                 |       |                 |       |                 |       |                 |       |                 |       |                 |       |                 |       |                 |      |                 |      |                 |      |                 |  |                 |  |                 |  |                 |  |  |  |  |  |  |  |  |  |  |  |  |  |  |  |  |  |
|-----------------|------------|----------|------------------------|-----------------|---------|-----------------|------------|--------------|------------------------|-----------------|---------|--------------|------|-----------------|-------|-----------------|-------|-----------------|-------|-----------------|-------|--------------|-------|-----------------|-------|-----------------|-------|--------------|-------|--------------|-------|-----------------|-------|--------------|-------|--------------|-------|-----------------|-------|--------------|-------|--------------|-------|-----------------|-------|--------------|-------|--------------|-------|-----------------|-------|--------------|-------|--------------|-------|-----------------|-------|--------------|-------|--------------|-------|-----------------|-------|--------------|-------|--------------|-------|-----------------|-------|--------------|-------|--------------|-------|-----------------|-------|--------------|-------|--------------|-------|-----------------|-------|--------------|-------|--------------|-------|-----------------|-------|--------------|-------|--------------|-------|-----------------|-------|--------------|-------|--------------|-------|-----------------|-------|--------------|-------|--------------|-------|--------------|-------|--------------|-------|--------------|-------|--------------|-------|--------------|-------|--------------|-------|--------------|-------|--------------|-------|-----------------|-------|--------------|-------|-----------------|-------|-----------------|-------|-----------------|-------|-----------------|-------|-----------------|-------|-----------------|-------|-----------------|-------|-----------------|-------|-----------------|-------|-----------------|-------|-----------------|-------|-----------------|-------|-----------------|-------|-----------------|-------|-----------------|-------|-----------------|-------|-----------------|-------|-----------------|-------|-----------------|-------|-----------------|-------|-----------------|-------|-----------------|-------|-----------------|-------|-----------------|-------|-----------------|-------|-----------------|-------|-----------------|-------|-----------------|-------|-----------------|-------|-----------------|-------|-----------------|-------|-----------------|-------|-----------------|-------|-----------------|-------|-----------------|-------|-----------------|-------|-----------------|-------|-----------------|-------|-----------------|-------|-----------------|-------|-----------------|-------|-----------------|-------|-----------------|-------|-----------------|-------|-----------------|-------|-----------------|-------|-----------------|-------|-----------------|-------|-----------------|-------|-----------------|-------|-----------------|-------|-----------------|-------|-----------------|-------|-----------------|-------|-----------------|-------|-----------------|-------|-----------------|-------|-----------------|-------|-----------------|-------|-----------------|-------|-----------------|-------|-----------------|-------|-----------------|-------|-----------------|-------|-----------------|-------|-----------------|-------|-----------------|-------|-----------------|-------|-----------------|-------|-----------------|-------|-----------------|-------|-----------------|-------|-----------------|-------|-----------------|-------|-----------------|-------|-----------------|-------|-----------------|-------|-----------------|-------|-----------------|-------|-----------------|-------|-----------------|-------|-----------------|-------|-----------------|-------|-----------------|-------|-----------------|-------|-----------------|-------|-----------------|-------|-----------------|-------|-----------------|-------|-----------------|-------|-----------------|-------|-----------------|-------|-----------------|-------|-----------------|-------|-----------------|-------|-----------------|-------|-----------------|-------|-----------------|-------|-----------------|-------|-----------------|-------|-----------------|-------|-----------------|-------|-----------------|-------|-----------------|-------|-----------------|-------|-----------------|-------|-----------------|-------|-----------------|-------|-----------------|-------|-----------------|-------|-----------------|-------|-----------------|-------|-----------------|-------|-----------------|-------|-----------------|-------|-----------------|-------|-----------------|-------|-----------------|-------|-----------------|-------|-----------------|-------|-----------------|-------|-----------------|-------|-----------------|-------|-----------------|-------|-----------------|-------|-----------------|-------|-----------------|-------|-----------------|-------|-----------------|-------|-----------------|-------|-----------------|-------|-----------------|-------|-----------------|-------|-----------------|-------|-----------------|-------|-----------------|-------|-----------------|-------|-----------------|-------|-----------------|-------|-----------------|------|-----------------|-------|-----------------|-------|-----------------|-------|-----------------|-------|-----------------|-------|-----------------|-------|-----------------|-------|-----------------|-------|-----------------|-------|-----------------|-------|-----------------|-------|-----------------|-------|-----------------|-------|-----------------|-------|-----------------|-------|-----------------|-------|-----------------|-------|-----------------|-------|-----------------|-------|-----------------|-------|-----------------|-------|-----------------|-------|-----------------|-------|-----------------|-------|-----------------|-------|-----------------|-------|-----------------|-------|-----------------|-------|-----------------|-------|-----------------|-------|-----------------|-------|-----------------|-------|-----------------|-------|-----------------|-------|-----------------|-------|-----------------|-------|-----------------|-------|-----------------|-------|-----------------|------|-----------------|------|-----------------|------|-----------------|--|-----------------|--|-----------------|--|-----------------|--|--|--|--|--|--|--|--|--|--|--|--|--|--|--|--|--|
| <b>1.5kW</b>    |            |          |                        |                 |         | <b>1.5kW</b>    |            |              |                        |                 |         |              |      |                 |       |                 |       |                 |       |                 |       |              |       |                 |       |                 |       |              |       |              |       |                 |       |              |       |              |       |                 |       |              |       |              |       |                 |       |              |       |              |       |                 |       |              |       |              |       |                 |       |              |       |              |       |                 |       |              |       |              |       |                 |       |              |       |              |       |                 |       |              |       |              |       |                 |       |              |       |              |       |                 |       |              |       |              |       |                 |       |              |       |              |       |                 |       |              |       |              |       |              |       |              |       |              |       |              |       |              |       |              |       |              |       |              |       |                 |       |              |       |                 |       |                 |       |                 |       |                 |       |                 |       |                 |       |                 |       |                 |       |                 |       |                 |       |                 |       |                 |       |                 |       |                 |       |                 |       |                 |       |                 |       |                 |       |                 |       |                 |       |                 |       |                 |       |                 |       |                 |       |                 |       |                 |       |                 |       |                 |       |                 |       |                 |       |                 |       |                 |       |                 |       |                 |       |                 |       |                 |       |                 |       |                 |       |                 |       |                 |       |                 |       |                 |       |                 |       |                 |       |                 |       |                 |       |                 |       |                 |       |                 |       |                 |       |                 |       |                 |       |                 |       |                 |       |                 |       |                 |       |                 |       |                 |       |                 |       |                 |       |                 |       |                 |       |                 |       |                 |       |                 |       |                 |       |                 |       |                 |       |                 |       |                 |       |                 |       |                 |       |                 |       |                 |       |                 |       |                 |       |                 |       |                 |       |                 |       |                 |       |                 |       |                 |       |                 |       |                 |       |                 |       |                 |       |                 |       |                 |       |                 |       |                 |       |                 |       |                 |       |                 |       |                 |       |                 |       |                 |       |                 |       |                 |       |                 |       |                 |       |                 |       |                 |       |                 |       |                 |       |                 |       |                 |       |                 |       |                 |       |                 |       |                 |       |                 |       |                 |       |                 |       |                 |       |                 |       |                 |       |                 |       |                 |       |                 |       |                 |       |                 |       |                 |       |                 |       |                 |       |                 |       |                 |       |                 |       |                 |       |                 |       |                 |       |                 |       |                 |       |                 |       |                 |       |                 |       |                 |       |                 |       |                 |       |                 |       |                 |      |                 |       |                 |       |                 |       |                 |       |                 |       |                 |       |                 |       |                 |       |                 |       |                 |       |                 |       |                 |       |                 |       |                 |       |                 |       |                 |       |                 |       |                 |       |                 |       |                 |       |                 |       |                 |       |                 |       |                 |       |                 |       |                 |       |                 |       |                 |       |                 |       |                 |       |                 |       |                 |       |                 |       |                 |       |                 |       |                 |       |                 |       |                 |       |                 |      |                 |      |                 |      |                 |  |                 |  |                 |  |                 |  |  |  |  |  |  |  |  |  |  |  |  |  |  |  |  |  |
| 2.5             | 5100       | 560      | 1.42                   | F 107R77        | 4       | 15              | 871        | 90.59        | 0.88                   | F 67            | 4       |              |      |                 |       |                 |       |                 |       |                 |       |              |       |                 |       |                 |       |              |       |              |       |                 |       |              |       |              |       |                 |       |              |       |              |       |                 |       |              |       |              |       |                 |       |              |       |              |       |                 |       |              |       |              |       |                 |       |              |       |              |       |                 |       |              |       |              |       |                 |       |              |       |              |       |                 |       |              |       |              |       |                 |       |              |       |              |       |                 |       |              |       |              |       |                 |       |              |       |              |       |              |       |              |       |              |       |              |       |              |       |              |       |              |       |              |       |                 |       |              |       |                 |       |                 |       |                 |       |                 |       |                 |       |                 |       |                 |       |                 |       |                 |       |                 |       |                 |       |                 |       |                 |       |                 |       |                 |       |                 |       |                 |       |                 |       |                 |       |                 |       |                 |       |                 |       |                 |       |                 |       |                 |       |                 |       |                 |       |                 |       |                 |       |                 |       |                 |       |                 |       |                 |       |                 |       |                 |       |                 |       |                 |       |                 |       |                 |       |                 |       |                 |       |                 |       |                 |       |                 |       |                 |       |                 |       |                 |       |                 |       |                 |       |                 |       |                 |       |                 |       |                 |       |                 |       |                 |       |                 |       |                 |       |                 |       |                 |       |                 |       |                 |       |                 |       |                 |       |                 |       |                 |       |                 |       |                 |       |                 |       |                 |       |                 |       |                 |       |                 |       |                 |       |                 |       |                 |       |                 |       |                 |       |                 |       |                 |       |                 |       |                 |       |                 |       |                 |       |                 |       |                 |       |                 |       |                 |       |                 |       |                 |       |                 |       |                 |       |                 |       |                 |       |                 |       |                 |       |                 |       |                 |       |                 |       |                 |       |                 |       |                 |       |                 |       |                 |       |                 |       |                 |       |                 |       |                 |       |                 |       |                 |       |                 |       |                 |       |                 |       |                 |       |                 |       |                 |       |                 |       |                 |       |                 |       |                 |       |                 |       |                 |       |                 |       |                 |       |                 |       |                 |       |                 |       |                 |       |                 |       |                 |       |                 |       |                 |       |                 |       |                 |       |                 |       |                 |       |                 |       |                 |       |                 |       |                 |       |                 |      |                 |       |                 |       |                 |       |                 |       |                 |       |                 |       |                 |       |                 |       |                 |       |                 |       |                 |       |                 |       |                 |       |                 |       |                 |       |                 |       |                 |       |                 |       |                 |       |                 |       |                 |       |                 |       |                 |       |                 |       |                 |       |                 |       |                 |       |                 |       |                 |       |                 |       |                 |       |                 |       |                 |       |                 |       |                 |       |                 |       |                 |       |                 |       |                 |      |                 |      |                 |      |                 |  |                 |  |                 |  |                 |  |  |  |  |  |  |  |  |  |  |  |  |  |  |  |  |  |
| 2.9             | 4453       | 489      | 1.62                   |                 |         | 3.3             | 3889       | 427          | 1.86                   |                 |         | 3.8          | 3369 | 370             | 2.1   | 2.6             | 4863  | 534             | 0.83  | 3.0             | 4298  | 472          | 0.94  | 3.4             | 3734  | 410             | 1.08  | 3.8          | 3342  | 367          | 1.21  | 4.1             | 3142  | 345          | 0.90  | 4.7          | 2732  | 300             | 1.03  | 5.6          | 2268  | 249          | 1.24  | 2.7             | 4981  | 255.25       | 1.48  | 3.2          | 4197  | 215.04          | 1.76  | 3.5          | 3890  | 199.31       | 1.89  | 3.9             | 3486  | 178.64       | 2.1   | 3.6          | 3736  | 255.25          | 2.0   | 4.3          | 3147  | 215.04       | 2.3   | 4.6             | 2917  | 199.31       | 2.5   | 5.2          | 2615  | 178.64          | 2.8   | 3.3          | 4049  | 276.64       | 1.00  | 3.6             | 3729  | 254.79       | 1.08  | 4.1          | 3313  | 226.34          | 1.22  | 4.9          | 2759  | 188.50       | 1.47  | 5.2             | 2574  | 175.83       | 1.57  | 5.1          | 2661  | 276.64          | 1.52  | 5.5          | 2451  | 254.79       | 1.65  | 6.2          | 2177  | 226.34       | 1.86  | 7.4          | 1813  | 188.50       | 2.2   | 8.0          | 1691  | 175.83       | 2.4   | 5.2          | 2615  | 271.92       | 1.08  | 5.5             | 2452  | 254.93       | 1.15  | 6.1             | 2198  | 228.57          | 1.28  | 7.1             | 1893  | 196.85          | 1.49  | 7.8             | 1721  | 178.95          | 1.63  | 8.8             | 1535  | 159.61          | 1.84  | 10              | 1290  | 134.16          | 2.2   | 13              | 1053  | 109.49          | 2.7   | 14              | 942   | 97.89           | 3.0   | 8.4             | 1601  | 166.47          | 0.88  | 9.8             | 1368  | 142.27          | 1.03  | 11              | 1254  | 130.42          | 1.12  | 12              | 1101  | 114.45          | 1.28  | 13              | 1043  | 108.46          | 1.35  | 15              | 913   | 94.93           | 1.54  | 16              | 823   | 85.52           | 1.71  | 19              | 722   | 75.02           | 1.95  | 19              | 695   | 72.29           | 2.0   | 21              | 637   | 66.28           | 2.2   | 24              | 559   | 58.16           | 2.5   | 25              | 530   | 55.12           | 2.7   | 29              | 464   | 48.24           | 3.0   | 32              | 418   | 43.46           | 3.4   | 37              | 367   | 38.12           | 3.8   | 38              | 352   | 36.52           | 3.0   | 44              | 303   | 31.45           | 4.3   | 15              | 871   | 90.59           | 0.88  | 18              | 750   | 77.97           | 1.03  | 21              | 636   | 66.13           | 1.21  | 23              | 574   | 59.70           | 1.34  | 27              | 505   | 52.53           | 1.53  | 28              | 477   | 49.60           | 1.62  | 33              | 406   | 42.23           | 1.90  | 36              | 369   | 38.38           | 1.99  | 39              | 349   | 36.30           | 2.2   | 44              | 309   | 32.08           | 2.5   | 51              | 264   | 27.41           | 2.9   | 56              | 242   | 25.13           | 3.2   | 24              | 568   | 59.10           | 0.99  | 28              | 483   | 50.22           | 1.17  | 31              | 431   | 44.84           | 1.31  | 37              | 368   | 38.30           | 1.53  | 39              | 345   | 35.87           | 1.63  | 46              | 291   | 30.22           | 1.94  | 33              | 409   | 42.55           | 0.92  | 39              | 350   | 36.34           | 1.08  | 41              | 327   | 34.04           | 1.15  | 49              | 276   | 28.67           | 1.36  | 46              | 295   | 30.64           | 1.28  | 48              | 280   | 29.11           | 1.34  | 55              | 246   | 25.54           | 1.53  | 65              | 208   | 21.66           | 1.80  | 72              | 188   | 19.56           | 2.0   | 81              | 166   | 17.21           | 2.3   | 86              | 156   | 16.25           | 2.4   | 101             | 133   | 13.83           | 2.8   | 68              | 198   | 20.57           | 0.95  | 73              | 185   | 19.27           | 1.01  | 82              | 164   | 17.03           | 1.15  | 98              | 138   | 14.33           | 1.36  | 109             | 124   | 12.87           | 1.52  | 126             | 107   | 11.08           | 1.68  | 134             | 100   | 10.42           | 1.74  | 156             | 86    | 8.97            | 1.91  | 175             | 77    | 8.01            | 2.1   | 206             | 66    | 6.81            | 2.0   | 229             | 59    | 6.11            | 2.2   | 266             | 51    | 5.27            | 2.3   | 283             | 48    | 4.95            | 2.4   | 329             | 41    | 4.26            | 2.5   | 367             | 37    | 3.81            | 2.7   | <b>2.2kW</b>    |       |                 |      |                 |       | <b>2.2kW</b>    |       |                 |       |                 |       | 1.00            | 18699 | 1420            | 0.90  | F 157R97        | 4     | 1.00            | 18699 | 1420            | 0.90  | 1.09            | 17224 | 1308            | 0.98  | 1.21            | 15394 | 1169            | 1.10  | 1.49            | 12549 | 953             | 1.35  | 1.68            | 11127 | 845             | 1.52  | 1.86            | 10061 | 764             | 1.68  | 2.1             | 8954  | 680             | 1.89  | 2.5             | 7585  | 576             | 2.2   | 3.2             | 5873  | 446             | 2.9   | 4.7             | 3964  | 301             | 4.3   | 5.2             | 3582  | 272             | 4.7   | 6.1             | 3042  | 231             | 5.6   | 7.2             | 2581  | 196             | 6.6   | 1.31            | 14288 | 1085            | 0.79  | 1.52            | 12339 | 937             | 0.91  | 1.72            | 10890 | 827             | 1.04 | 1.94            | 9652 | 733             | 1.17 | <b>F 127R77</b> |  |                 |  |                 |  | <b>F 127R77</b> |  |  |  |  |  |  |  |  |  |  |  |  |  |  |  |  |  |
| 3.3             | 3889       | 427      | 1.86                   |                 |         | 3.8             | 3369       | 370          | 2.1                    |                 |         | 2.6          | 4863 | 534             | 0.83  | 3.0             | 4298  | 472             | 0.94  | 3.4             | 3734  | 410          | 1.08  | 3.8             | 3342  | 367             | 1.21  | 4.1          | 3142  | 345          | 0.90  | 4.7             | 2732  | 300          | 1.03  | 5.6          | 2268  | 249             | 1.24  | 2.7          | 4981  | 255.25       | 1.48  | 3.2             | 4197  | 215.04       | 1.76  | 3.5          | 3890  | 199.31          | 1.89  | 3.9          | 3486  | 178.64       | 2.1   | 3.6             | 3736  | 255.25       | 2.0   | 4.3          | 3147  | 215.04          | 2.3   | 4.6          | 2917  | 199.31       | 2.5   | 5.2             | 2615  | 178.64       | 2.8   | 3.3          | 4049  | 276.64          | 1.00  | 3.6          | 3729  | 254.79       | 1.08  | 4.1             | 3313  | 226.34       | 1.22  | 4.9          | 2759  | 188.50          | 1.47  | 5.2          | 2574  | 175.83       | 1.57  | 5.1             | 2661  | 276.64       | 1.52  | 5.5          | 2451  | 254.79          | 1.65  | 6.2          | 2177  | 226.34       | 1.86  | 7.4          | 1813  | 188.50       | 2.2   | 8.0          | 1691  | 175.83       | 2.4   | 5.2          | 2615  | 271.92       | 1.08  | 5.5          | 2452  | 254.93       | 1.15  | 6.1             | 2198  | 228.57       | 1.28  | 7.1             | 1893  | 196.85          | 1.49  | 7.8             | 1721  | 178.95          | 1.63  | 8.8             | 1535  | 159.61          | 1.84  | 10              | 1290  | 134.16          | 2.2   | 13              | 1053  | 109.49          | 2.7   | 14              | 942   | 97.89           | 3.0   | 8.4             | 1601  | 166.47          | 0.88  | 9.8             | 1368  | 142.27          | 1.03  | 11              | 1254  | 130.42          | 1.12  | 12              | 1101  | 114.45          | 1.28  | 13              | 1043  | 108.46          | 1.35  | 15              | 913   | 94.93           | 1.54  | 16              | 823   | 85.52           | 1.71  | 19              | 722   | 75.02           | 1.95  | 19              | 695   | 72.29           | 2.0   | 21              | 637   | 66.28           | 2.2   | 24              | 559   | 58.16           | 2.5   | 25              | 530   | 55.12           | 2.7   | 29              | 464   | 48.24           | 3.0   | 32              | 418   | 43.46           | 3.4   | 37              | 367   | 38.12           | 3.8   | 38              | 352   | 36.52           | 3.0   | 44              | 303   | 31.45           | 4.3   | 15              | 871   | 90.59           | 0.88  | 18              | 750   | 77.97           | 1.03  | 21              | 636   | 66.13           | 1.21  | 23              | 574   | 59.70           | 1.34  | 27              | 505   | 52.53           | 1.53  | 28              | 477   | 49.60           | 1.62  | 33              | 406   | 42.23           | 1.90  | 36              | 369   | 38.38           | 1.99  | 39              | 349   | 36.30           | 2.2   | 44              | 309   | 32.08           | 2.5   | 51              | 264   | 27.41           | 2.9   | 56              | 242   | 25.13           | 3.2   | 24              | 568   | 59.10           | 0.99  | 28              | 483   | 50.22           | 1.17  | 31              | 431   | 44.84           | 1.31  | 37              | 368   | 38.30           | 1.53  | 39              | 345   | 35.87           | 1.63  | 46              | 291   | 30.22           | 1.94  | 33              | 409   | 42.55           | 0.92  | 39              | 350   | 36.34           | 1.08  | 41              | 327   | 34.04           | 1.15  | 49              | 276   | 28.67           | 1.36  | 46              | 295   | 30.64           | 1.28  | 48              | 280   | 29.11           | 1.34  | 55              | 246   | 25.54           | 1.53  | 65              | 208   | 21.66           | 1.80  | 72              | 188   | 19.56           | 2.0   | 81              | 166   | 17.21           | 2.3   | 86              | 156   | 16.25           | 2.4   | 101             | 133   | 13.83           | 2.8   | 68              | 198   | 20.57           | 0.95  | 73              | 185   | 19.27           | 1.01  | 82              | 164   | 17.03           | 1.15  | 98              | 138   | 14.33           | 1.36  | 109             | 124   | 12.87           | 1.52  | 126             | 107   | 11.08           | 1.68  | 134             | 100   | 10.42           | 1.74  | 156             | 86    | 8.97            | 1.91  | 175             | 77    | 8.01            | 2.1   | 206             | 66    | 6.81            | 2.0   | 229             | 59    | 6.11            | 2.2   | 266             | 51    | 5.27            | 2.3   | 283             | 48    | 4.95            | 2.4   | 329             | 41    | 4.26            | 2.5   | 367             | 37    | 3.81            | 2.7   | <b>2.2kW</b>    |       |                 |       |                 |       | <b>2.2kW</b>    |      |                 |       |                 |       | 1.00            | 18699 | 1420            | 0.90  | F 157R97        | 4     | 1.00            | 18699 |                 |       | 1420            | 0.90  | 1.09            | 17224 | 1308            | 0.98  | 1.21            | 15394 | 1169            | 1.10  | 1.49            | 12549 | 953             | 1.35  | 1.68            | 11127 | 845             | 1.52  | 1.86            | 10061 | 764             | 1.68  | 2.1             | 8954  | 680             | 1.89  | 2.5             | 7585  | 576             | 2.2   | 3.2             | 5873  | 446             | 2.9   | 4.7             | 3964  | 301             | 4.3   | 5.2             | 3582  | 272             | 4.7   | 6.1             | 3042  | 231             | 5.6   | 7.2             | 2581  | 196             | 6.6   | 1.31            | 14288 | 1085            | 0.79  | 1.52            | 12339 | 937             | 0.91  | 1.72            | 10890 | 827             | 1.04  | 1.94            | 9652 | 733             | 1.17 | <b>F 127R77</b> |      |                 |  |                 |  | <b>F 127R77</b> |  |                 |  |  |  |  |  |  |  |  |  |  |  |  |  |  |  |  |  |
| 3.8             | 3369       | 370      | 2.1                    |                 |         | 2.6             | 4863       | 534          | 0.83                   |                 |         | 3.0          | 4298 | 472             | 0.94  | 3.4             | 3734  | 410             | 1.08  | 3.8             | 3342  | 367          | 1.21  | 4.1             | 3142  | 345             | 0.90  | 4.7          | 2732  | 300          | 1.03  | 5.6             | 2268  | 249          | 1.24  | 2.7          | 4981  | 255.25          | 1.48  | 3.2          | 4197  | 215.04       | 1.76  | 3.5             | 3890  | 199.31       | 1.89  | 3.9          | 3486  | 178.64          | 2.1   | 3.6          | 3736  | 255.25       | 2.0   | 4.3             | 3147  | 215.04       | 2.3   | 4.6          | 2917  | 199.31          | 2.5   | 5.2          | 2615  | 178.64       | 2.8   | 3.3             | 4049  | 276.64       | 1.00  | 3.6          | 3729  | 254.79          | 1.08  | 4.1          | 3313  | 226.34       | 1.22  | 4.9             | 2759  | 188.50       | 1.47  | 5.2          | 2574  | 175.83          | 1.57  | 5.1          | 2661  | 276.64       | 1.52  | 5.5             | 2451  | 254.79       | 1.65  | 6.2          | 2177  | 226.34          | 1.86  | 7.4          | 1813  | 188.50       | 2.2   | 8.0          | 1691  | 175.83       | 2.4   | 5.2          | 2615  | 271.92       | 1.08  | 5.5          | 2452  | 254.93       | 1.15  | 6.1          | 2198  | 228.57       | 1.28  | 7.1             | 1893  | 196.85       | 1.49  | 7.8             | 1721  | 178.95          | 1.63  | 8.8             | 1535  | 159.61          | 1.84  | 10              | 1290  | 134.16          | 2.2   | 13              | 1053  | 109.49          | 2.7   | 14              | 942   | 97.89           | 3.0   | 8.4             | 1601  | 166.47          | 0.88  | 9.8             | 1368  | 142.27          | 1.03  | 11              | 1254  | 130.42          | 1.12  | 12              | 1101  | 114.45          | 1.28  | 13              | 1043  | 108.46          | 1.35  | 15              | 913   | 94.93           | 1.54  | 16              | 823   | 85.52           | 1.71  | 19              | 722   | 75.02           | 1.95  | 19              | 695   | 72.29           | 2.0   | 21              | 637   | 66.28           | 2.2   | 24              | 559   | 58.16           | 2.5   | 25              | 530   | 55.12           | 2.7   | 29              | 464   | 48.24           | 3.0   | 32              | 418   | 43.46           | 3.4   | 37              | 367   | 38.12           | 3.8   | 38              | 352   | 36.52           | 3.0   | 44              | 303   | 31.45           | 4.3   | 15              | 871   | 90.59           | 0.88  | 18              | 750   | 77.97           | 1.03  | 21              | 636   | 66.13           | 1.21  | 23              | 574   | 59.70           | 1.34  | 27              | 505   | 52.53           | 1.53  | 28              | 477   | 49.60           | 1.62  | 33              | 406   | 42.23           | 1.90  | 36              | 369   | 38.38           | 1.99  | 39              | 349   | 36.30           | 2.2   | 44              | 309   | 32.08           | 2.5   | 51              | 264   | 27.41           | 2.9   | 56              | 242   | 25.13           | 3.2   | 24              | 568   | 59.10           | 0.99  | 28              | 483   | 50.22           | 1.17  | 31              | 431   | 44.84           | 1.31  | 37              | 368   | 38.30           | 1.53  | 39              | 345   | 35.87           | 1.63  | 46              | 291   | 30.22           | 1.94  | 33              | 409   | 42.55           | 0.92  | 39              | 350   | 36.34           | 1.08  | 41              | 327   | 34.04           | 1.15  | 49              | 276   | 28.67           | 1.36  | 46              | 295   | 30.64           | 1.28  | 48              | 280   | 29.11           | 1.34  | 55              | 246   | 25.54           | 1.53  | 65              | 208   | 21.66           | 1.80  | 72              | 188   | 19.56           | 2.0   | 81              | 166   | 17.21           | 2.3   | 86              | 156   | 16.25           | 2.4   | 101             | 133   | 13.83           | 2.8   | 68              | 198   | 20.57           | 0.95  | 73              | 185   | 19.27           | 1.01  | 82              | 164   | 17.03           | 1.15  | 98              | 138   | 14.33           | 1.36  | 109             | 124   | 12.87           | 1.52  | 126             | 107   | 11.08           | 1.68  | 134             | 100   | 10.42           | 1.74  | 156             | 86    | 8.97            | 1.91  | 175             | 77    | 8.01            | 2.1   | 206             | 66    | 6.81            | 2.0   | 229             | 59    | 6.11            | 2.2   | 266             | 51    | 5.27            | 2.3   | 283             | 48    | 4.95            | 2.4   | 329             | 41    | 4.26            | 2.5   | 367             | 37    | 3.81            | 2.7   | <b>2.2kW</b>    |       |                 |       |                 |       | <b>2.2kW</b>    |       |                 |       |                 |      | 1.00            | 18699 | 1420            | 0.90  | F 157R97        | 4     | 1.00            | 18699 |                 |       | 1420            | 0.90  |                 |       | 1.09            | 17224 | 1308            | 0.98  | 1.21            | 15394 | 1169            | 1.10  | 1.49            | 12549 | 953             | 1.35  | 1.68            | 11127 | 845             | 1.52  | 1.86            | 10061 | 764             | 1.68  | 2.1             | 8954  | 680             | 1.89  | 2.5             | 7585  | 576             | 2.2   | 3.2             | 5873  | 446             | 2.9   | 4.7             | 3964  | 301             | 4.3   | 5.2             | 3582  | 272             | 4.7   | 6.1             | 3042  | 231             | 5.6   | 7.2             | 2581  | 196             | 6.6   | 1.31            | 14288 | 1085            | 0.79  | 1.52            | 12339 | 937             | 0.91  | 1.72            | 10890 | 827             | 1.04  | 1.94            | 9652  | 733             | 1.17 | <b>F 127R77</b> |      |                 |      |                 |  | <b>F 127R77</b> |  |                 |  |                 |  |  |  |  |  |  |  |  |  |  |  |  |  |  |  |  |  |
| 2.6             | 4863       | 534      | 0.83                   | 3.0             | 4298    | 472             | 0.94       | 3.4          | 3734                   |                 |         | 410          | 1.08 | 3.8             | 3342  | 367             | 1.21  | 4.1             | 3142  | 345             | 0.90  | 4.7          | 2732  | 300             | 1.03  | 5.6             | 2268  | 249          | 1.24  | 2.7          | 4981  | 255.25          | 1.48  | 3.2          | 4197  | 215.04       | 1.76  | 3.5             | 3890  | 199.31       | 1.89  | 3.9          | 3486  | 178.64          | 2.1   | 3.6          | 3736  | 255.25       | 2.0   | 4.3             | 3147  | 215.04       | 2.3   | 4.6          | 2917  | 199.31          | 2.5   | 5.2          | 2615  | 178.64       | 2.8   | 3.3             | 4049  | 276.64       | 1.00  | 3.6          | 3729  | 254.79          | 1.08  | 4.1          | 3313  | 226.34       | 1.22  | 4.9             | 2759  | 188.50       | 1.47  | 5.2          | 2574  | 175.83          | 1.57  | 5.1          | 2661  | 276.64       | 1.52  | 5.5             | 2451  | 254.79       | 1.65  | 6.2          | 2177  | 226.34          | 1.86  | 7.4          | 1813  | 188.50       | 2.2   | 8.0             | 1691  | 175.83       | 2.4   | 5.2          | 2615  | 271.92       | 1.08  | 5.5          | 2452  | 254.93       | 1.15  | 6.1          | 2198  | 228.57       | 1.28  | 7.1          | 1893  | 196.85       | 1.49  | 7.8          | 1721  | 178.95          | 1.63  | 8.8          | 1535  | 159.61          | 1.84  | 10              | 1290  | 134.16          | 2.2   | 13              | 1053  | 109.49          | 2.7   | 14              | 942   | 97.89           | 3.0   | 8.4             | 1601  | 166.47          | 0.88  | 9.8             | 1368  | 142.27          | 1.03  | 11              | 1254  | 130.42          | 1.12  | 12              | 1101  | 114.45          | 1.28  | 13              | 1043  | 108.46          | 1.35  | 15              | 913   | 94.93           | 1.54  | 16              | 823   | 85.52           | 1.71  | 19              | 722   | 75.02           | 1.95  | 19              | 695   | 72.29           | 2.0   | 21              | 637   | 66.28           | 2.2   | 24              | 559   | 58.16           | 2.5   | 25              | 530   | 55.12           | 2.7   | 29              | 464   | 48.24           | 3.0   | 32              | 418   | 43.46           | 3.4   | 37              | 367   | 38.12           | 3.8   | 38              | 352   | 36.52           | 3.0   | 44              | 303   | 31.45           | 4.3   | 15              | 871   | 90.59           | 0.88  | 18              | 750   | 77.97           | 1.03  | 21              | 636   | 66.13           | 1.21  | 23              | 574   | 59.70           | 1.34  | 27              | 505   | 52.53           | 1.53  | 28              | 477   | 49.60           | 1.62  | 33              | 406   | 42.23           | 1.90  | 36              | 369   | 38.38           | 1.99  | 39              | 349   | 36.30           | 2.2   | 44              | 309   | 32.08           | 2.5   | 51              | 264   | 27.41           | 2.9   | 56              | 242   | 25.13           | 3.2   | 24              | 568   | 59.10           | 0.99  | 28              | 483   | 50.22           | 1.17  | 31              | 431   | 44.84           | 1.31  | 37              | 368   | 38.30           | 1.53  | 39              | 345   | 35.87           | 1.63  | 46              | 291   | 30.22           | 1.94  | 33              | 409   | 42.55           | 0.92  | 39              | 350   | 36.34           | 1.08  | 41              | 327   | 34.04           | 1.15  | 49              | 276   | 28.67           | 1.36  | 46              | 295   | 30.64           | 1.28  | 48              | 280   | 29.11           | 1.34  | 55              | 246   | 25.54           | 1.53  | 65              | 208   | 21.66           | 1.80  | 72              | 188   | 19.56           | 2.0   | 81              | 166   | 17.21           | 2.3   | 86              | 156   | 16.25           | 2.4   | 101             | 133   | 13.83           | 2.8   | 68              | 198   | 20.57           | 0.95  | 73              | 185   | 19.27           | 1.01  | 82              | 164   | 17.03           | 1.15  | 98              | 138   | 14.33           | 1.36  | 109             | 124   | 12.87           | 1.52  | 126             | 107   | 11.08           | 1.68  | 134             | 100   | 10.42           | 1.74  | 156             | 86    | 8.97            | 1.91  | 175             | 77    | 8.01            | 2.1   | 206             | 66    | 6.81            | 2.0   | 229             | 59    | 6.11            | 2.2   | 266             | 51    | 5.27            | 2.3   | 283             | 48    | 4.95            | 2.4   | 329             | 41    | 4.26            | 2.5   | 367             | 37    | 3.81            | 2.7   | <b>2.2kW</b>    |       |                 |       |                 |       | <b>2.2kW</b>    |       |                 |       |                 |       | 1.00            | 18699 | 1420            | 0.90  | F 157R97        | 4    | 1.00            | 18699 | 1420            | 0.90  |                 |       | 1.09            | 17224 |                 |       | 1308            | 0.98  |                 |       | 1.21            | 15394 | 1169            | 1.10  | 1.49            | 12549 | 953             | 1.35  | 1.68            | 11127 | 845             | 1.52  | 1.86            | 10061 | 764             | 1.68  | 2.1             | 8954  | 680             | 1.89  | 2.5             | 7585  | 576             | 2.2   | 3.2             | 5873  | 446             | 2.9   | 4.7             | 3964  | 301             | 4.3   | 5.2             | 3582  | 272             | 4.7   | 6.1             | 3042  | 231             | 5.6   | 7.2             | 2581  | 196             | 6.6   | 1.31            | 14288 | 1085            | 0.79  | 1.52            | 12339 | 937             | 0.91  | 1.72            | 10890 | 827             | 1.04  | 1.94            | 9652  | 733             | 1.17  | <b>F 127R77</b> |       |                 |      |                 |      | <b>F 127R77</b> |      |                 |  |                 |  |                 |  |                 |  |  |  |  |  |  |  |  |  |  |  |  |  |  |  |  |  |
| 3.0             | 4298       | 472      | 0.94                   | 3.4             | 3734    | 410             | 1.08       | 3.8          | 3342                   |                 |         | 367          | 1.21 | 4.1             | 3142  | 345             | 0.90  | 4.7             | 2732  | 300             | 1.03  | 5.6          | 2268  | 249             | 1.24  | 2.7             | 4981  | 255.25       | 1.48  | 3.2          | 4197  | 215.04          | 1.76  | 3.5          | 3890  | 199.31       | 1.89  | 3.9             | 3486  | 178.64       | 2.1   | 3.6          | 3736  | 255.25          | 2.0   | 4.3          | 3147  | 215.04       | 2.3   | 4.6             | 2917  | 199.31       | 2.5   | 5.2          | 2615  | 178.64          | 2.8   | 3.3          | 4049  | 276.64       | 1.00  | 3.6             | 3729  | 254.79       | 1.08  | 4.1          | 3313  | 226.34          | 1.22  | 4.9          | 2759  | 188.50       | 1.47  | 5.2             | 2574  | 175.83       | 1.57  | 5.1          | 2661  | 276.64          | 1.52  | 5.5          | 2451  | 254.79       | 1.65  | 6.2             | 2177  | 226.34       | 1.86  | 7.4          | 1813  | 188.50          | 2.2   | 8.0          | 1691  | 175.83       | 2.4   | 5.2             | 2615  | 271.92       | 1.08  | 5.5          | 2452  | 254.93       | 1.15  | 6.1          | 2198  | 228.57       | 1.28  | 7.1          | 1893  | 196.85       | 1.49  | 7.8          | 1721  | 178.95       | 1.63  | 8.8          | 1535  | 159.61          | 1.84  | 10           | 1290  | 134.16          | 2.2   | 13              | 1053  | 109.49          | 2.7   | 14              | 942   | 97.89           | 3.0   | 8.4             | 1601  | 166.47          | 0.88  | 9.8             | 1368  | 142.27          | 1.03  | 11              | 1254  | 130.42          | 1.12  | 12              | 1101  | 114.45          | 1.28  | 13              | 1043  | 108.46          | 1.35  | 15              | 913   | 94.93           | 1.54  | 16              | 823   | 85.52           | 1.71  | 19              | 722   | 75.02           | 1.95  | 19              | 695   | 72.29           | 2.0   | 21              | 637   | 66.28           | 2.2   | 24              | 559   | 58.16           | 2.5   | 25              | 530   | 55.12           | 2.7   | 29              | 464   | 48.24           | 3.0   | 32              | 418   | 43.46           | 3.4   | 37              | 367   | 38.12           | 3.8   | 38              | 352   | 36.52           | 3.0   | 44              | 303   | 31.45           | 4.3   | 15              | 871   | 90.59           | 0.88  | 18              | 750   | 77.97           | 1.03  | 21              | 636   | 66.13           | 1.21  | 23              | 574   | 59.70           | 1.34  | 27              | 505   | 52.53           | 1.53  | 28              | 477   | 49.60           | 1.62  | 33              | 406   | 42.23           | 1.90  | 36              | 369   | 38.38           | 1.99  | 39              | 349   | 36.30           | 2.2   | 44              | 309   | 32.08           | 2.5   | 51              | 264   | 27.41           | 2.9   | 56              | 242   | 25.13           | 3.2   | 24              | 568   | 59.10           | 0.99  | 28              | 483   | 50.22           | 1.17  | 31              | 431   | 44.84           | 1.31  | 37              | 368   | 38.30           | 1.53  | 39              | 345   | 35.87           | 1.63  | 46              | 291   | 30.22           | 1.94  | 33              | 409   | 42.55           | 0.92  | 39              | 350   | 36.34           | 1.08  | 41              | 327   | 34.04           | 1.15  | 49              | 276   | 28.67           | 1.36  | 46              | 295   | 30.64           | 1.28  | 48              | 280   | 29.11           | 1.34  | 55              | 246   | 25.54           | 1.53  | 65              | 208   | 21.66           | 1.80  | 72              | 188   | 19.56           | 2.0   | 81              | 166   | 17.21           | 2.3   | 86              | 156   | 16.25           | 2.4   | 101             | 133   | 13.83           | 2.8   | 68              | 198   | 20.57           | 0.95  | 73              | 185   | 19.27           | 1.01  | 82              | 164   | 17.03           | 1.15  | 98              | 138   | 14.33           | 1.36  | 109             | 124   | 12.87           | 1.52  | 126             | 107   | 11.08           | 1.68  | 134             | 100   | 10.42           | 1.74  | 156             | 86    | 8.97            | 1.91  | 175             | 77    | 8.01            | 2.1   | 206             | 66    | 6.81            | 2.0   | 229             | 59    | 6.11            | 2.2   | 266             | 51    | 5.27            | 2.3   | 283             | 48    | 4.95            | 2.4   | 329             | 41    | 4.26            | 2.5   | 367             | 37    | 3.81            | 2.7   | <b>2.2kW</b>    |       |                 |       |                 |       | <b>2.2kW</b>    |       |                 |       |                 |       | 1.00            | 18699 | 1420            | 0.90  | F 157R97        | 4     | 1.00            | 18699 |                 |      | 1420            | 0.90  | 1.09            | 17224 |                 |       | 1308            | 0.98  |                 |       | 1.21            | 15394 |                 |       | 1169            | 1.10  | 1.49            | 12549 | 953             | 1.35  | 1.68            | 11127 | 845             | 1.52  | 1.86            | 10061 | 764             | 1.68  | 2.1             | 8954  | 680             | 1.89  | 2.5             | 7585  | 576             | 2.2   | 3.2             | 5873  | 446             | 2.9   | 4.7             | 3964  | 301             | 4.3   | 5.2             | 3582  | 272             | 4.7   | 6.1             | 3042  | 231             | 5.6   | 7.2             | 2581  | 196             | 6.6   | 1.31            | 14288 | 1085            | 0.79  | 1.52            | 12339 | 937             | 0.91  | 1.72            | 10890 | 827             | 1.04  | 1.94            | 9652  | 733             | 1.17  | <b>F 127R77</b> |       |                 |       |                 |      | <b>F 127R77</b> |      |                 |      |                 |  |                 |  |                 |  |                 |  |  |  |  |  |  |  |  |  |  |  |  |  |  |  |  |  |
| 3.4             | 3734       | 410      | 1.08                   | 3.8             | 3342    | 367             | 1.21       | 4.1          | 3142                   |                 |         | 345          | 0.90 | 4.7             | 2732  | 300             | 1.03  | 5.6             | 2268  | 249             | 1.24  | 2.7          | 4981  | 255.25          | 1.48  | 3.2             | 4197  | 215.04       | 1.76  | 3.5          | 3890  | 199.31          | 1.89  | 3.9          | 3486  | 178.64       | 2.1   | 3.6             | 3736  | 255.25       | 2.0   | 4.3          | 3147  | 215.04          | 2.3   | 4.6          | 2917  | 199.31       | 2.5   | 5.2             | 2615  | 178.64       | 2.8   | 3.3          | 4049  | 276.64          | 1.00  | 3.6          | 3729  | 254.79       | 1.08  | 4.1             | 3313  | 226.34       | 1.22  | 4.9          | 2759  | 188.50          | 1.47  | 5.2          | 2574  | 175.83       | 1.57  | 5.1             | 2661  | 276.64       | 1.52  | 5.5          | 2451  | 254.79          | 1.65  | 6.2          | 2177  | 226.34       | 1.86  | 7.4             | 1813  | 188.50       | 2.2   | 8.0          | 1691  | 175.83          | 2.4   | 5.2          | 2615  | 271.92       | 1.08  | 5.5             | 2452  | 254.93       | 1.15  | 6.1          | 2198  | 228.57       | 1.28  | 7.1          | 1893  | 196.85       | 1.49  | 7.8          | 1721  | 178.95       | 1.63  | 8.8          | 1535  | 159.61       | 1.84  | 10           | 1290  | 134.16          | 2.2   | 13           | 1053  | 109.49          | 2.7   | 14              | 942   | 97.89           | 3.0   | 8.4             | 1601  | 166.47          | 0.88  | 9.8             | 1368  | 142.27          | 1.03  | 11              | 1254  | 130.42          | 1.12  | 12              | 1101  | 114.45          | 1.28  | 13              | 1043  | 108.46          | 1.35  | 15              | 913   | 94.93           | 1.54  | 16              | 823   | 85.52           | 1.71  | 19              | 722   | 75.02           | 1.95  | 19              | 695   | 72.29           | 2.0   | 21              | 637   | 66.28           | 2.2   | 24              | 559   | 58.16           | 2.5   | 25              | 530   | 55.12           | 2.7   | 29              | 464   | 48.24           | 3.0   | 32              | 418   | 43.46           | 3.4   | 37              | 367   | 38.12           | 3.8   | 38              | 352   | 36.52           | 3.0   | 44              | 303   | 31.45           | 4.3   | 15              | 871   | 90.59           | 0.88  | 18              | 750   | 77.97           | 1.03  | 21              | 636   | 66.13           | 1.21  | 23              | 574   | 59.70           | 1.34  | 27              | 505   | 52.53           | 1.53  | 28              | 477   | 49.60           | 1.62  | 33              | 406   | 42.23           | 1.90  | 36              | 369   | 38.38           | 1.99  | 39              | 349   | 36.30           | 2.2   | 44              | 309   | 32.08           | 2.5   | 51              | 264   | 27.41           | 2.9   | 56              | 242   | 25.13           | 3.2   | 24              | 568   | 59.10           | 0.99  | 28              | 483   | 50.22           | 1.17  | 31              | 431   | 44.84           | 1.31  | 37              | 368   | 38.30           | 1.53  | 39              | 345   | 35.87           | 1.63  | 46              | 291   | 30.22           | 1.94  | 33              | 409   | 42.55           | 0.92  | 39              | 350   | 36.34           | 1.08  | 41              | 327   | 34.04           | 1.15  | 49              | 276   | 28.67           | 1.36  | 46              | 295   | 30.64           | 1.28  | 48              | 280   | 29.11           | 1.34  | 55              | 246   | 25.54           | 1.53  | 65              | 208   | 21.66           | 1.80  | 72              | 188   | 19.56           | 2.0   | 81              | 166   | 17.21           | 2.3   | 86              | 156   | 16.25           | 2.4   | 101             | 133   | 13.83           | 2.8   | 68              | 198   | 20.57           | 0.95  | 73              | 185   | 19.27           | 1.01  | 82              | 164   | 17.03           | 1.15  | 98              | 138   | 14.33           | 1.36  | 109             | 124   | 12.87           | 1.52  | 126             | 107   | 11.08           | 1.68  | 134             | 100   | 10.42           | 1.74  | 156             | 86    | 8.97            | 1.91  | 175             | 77    | 8.01            | 2.1   | 206             | 66    | 6.81            | 2.0   | 229             | 59    | 6.11            | 2.2   | 266             | 51    | 5.27            | 2.3   | 283             | 48    | 4.95            | 2.4   | 329             | 41    | 4.26            | 2.5   | 367             | 37    | 3.81            | 2.7   | <b>2.2kW</b>    |       |                 |       |                 |       | <b>2.2kW</b>    |       |                 |       |                 |       | 1.00            | 18699 | 1420            | 0.90  | F 157R97        | 4     | 1.00            | 18699 |                 |       | 1420            | 0.90  |                 |      | 1.09            | 17224 | 1308            | 0.98  |                 |       | 1.21            | 15394 |                 |       | 1169            | 1.10  |                 |       | 1.49            | 12549 | 953             | 1.35  | 1.68            | 11127 | 845             | 1.52  | 1.86            | 10061 | 764             | 1.68  | 2.1             | 8954  | 680             | 1.89  | 2.5             | 7585  | 576             | 2.2   | 3.2             | 5873  | 446             | 2.9   | 4.7             | 3964  | 301             | 4.3   | 5.2             | 3582  | 272             | 4.7   | 6.1             | 3042  | 231             | 5.6   | 7.2             | 2581  | 196             | 6.6   | 1.31            | 14288 | 1085            | 0.79  | 1.52            | 12339 | 937             | 0.91  | 1.72            | 10890 | 827             | 1.04  | 1.94            | 9652  | 733             | 1.17  | <b>F 127R77</b> |       |                 |       |                 |       | <b>F 127R77</b> |      |                 |      |                 |      |                 |  |                 |  |                 |  |                 |  |  |  |  |  |  |  |  |  |  |  |  |  |  |  |  |  |
| 3.8             | 3342       | 367      | 1.21                   | 4.1             | 3142    | 345             | 0.90       | 4.7          | 2732                   |                 |         | 300          | 1.03 | 5.6             | 2268  | 249             | 1.24  | 2.7             | 4981  | 255.25          | 1.48  | 3.2          | 4197  | 215.04          | 1.76  | 3.5             | 3890  | 199.31       | 1.89  | 3.9          | 3486  | 178.64          | 2.1   | 3.6          | 3736  | 255.25       | 2.0   | 4.3             | 3147  | 215.04       | 2.3   | 4.6          | 2917  | 199.31          | 2.5   | 5.2          | 2615  | 178.64       | 2.8   | 3.3             | 4049  | 276.64       | 1.00  | 3.6          | 3729  | 254.79          | 1.08  | 4.1          | 3313  | 226.34       | 1.22  | 4.9             | 2759  | 188.50       | 1.47  | 5.2          | 2574  | 175.83          | 1.57  | 5.1          | 2661  | 276.64       | 1.52  | 5.5             | 2451  | 254.79       | 1.65  | 6.2          | 2177  | 226.34          | 1.86  | 7.4          | 1813  | 188.50       | 2.2   | 8.0             | 1691  | 175.83       | 2.4   | 5.2          | 2615  | 271.92          | 1.08  | 5.5          | 2452  | 254.93       | 1.15  | 6.1             | 2198  | 228.57       | 1.28  | 7.1          | 1893  | 196.85       | 1.49  | 7.8          | 1721  | 178.95       | 1.63  | 8.8          | 1535  | 159.61       | 1.84  | 10           | 1290  | 134.16       | 2.2   | 13           | 1053  | 109.49          | 2.7   | 14           | 942   | 97.89           | 3.0   | 8.4             | 1601  | 166.47          | 0.88  | 9.8             | 1368  | 142.27          | 1.03  | 11              | 1254  | 130.42          | 1.12  | 12              | 1101  | 114.45          | 1.28  | 13              | 1043  | 108.46          | 1.35  | 15              | 913   | 94.93           | 1.54  | 16              | 823   | 85.52           | 1.71  | 19              | 722   | 75.02           | 1.95  | 19              | 695   | 72.29           | 2.0   | 21              | 637   | 66.28           | 2.2   | 24              | 559   | 58.16           | 2.5   | 25              | 530   | 55.12           | 2.7   | 29              | 464   | 48.24           | 3.0   | 32              | 418   | 43.46           | 3.4   | 37              | 367   | 38.12           | 3.8   | 38              | 352   | 36.52           | 3.0   | 44              | 303   | 31.45           | 4.3   | 15              | 871   | 90.59           | 0.88  | 18              | 750   | 77.97           | 1.03  | 21              | 636   | 66.13           | 1.21  | 23              | 574   | 59.70           | 1.34  | 27              | 505   | 52.53           | 1.53  | 28              | 477   | 49.60           | 1.62  | 33              | 406   | 42.23           | 1.90  | 36              | 369   | 38.38           | 1.99  | 39              | 349   | 36.30           | 2.2   | 44              | 309   | 32.08           | 2.5   | 51              | 264   | 27.41           | 2.9   | 56              | 242   | 25.13           | 3.2   | 24              | 568   | 59.10           | 0.99  | 28              | 483   | 50.22           | 1.17  | 31              | 431   | 44.84           | 1.31  | 37              | 368   | 38.30           | 1.53  | 39              | 345   | 35.87           | 1.63  | 46              | 291   | 30.22           | 1.94  | 33              | 409   | 42.55           | 0.92  | 39              | 350   | 36.34           | 1.08  | 41              | 327   | 34.04           | 1.15  | 49              | 276   | 28.67           | 1.36  | 46              | 295   | 30.64           | 1.28  | 48              | 280   | 29.11           | 1.34  | 55              | 246   | 25.54           | 1.53  | 65              | 208   | 21.66           | 1.80  | 72              | 188   | 19.56           | 2.0   | 81              | 166   | 17.21           | 2.3   | 86              | 156   | 16.25           | 2.4   | 101             | 133   | 13.83           | 2.8   | 68              | 198   | 20.57           | 0.95  | 73              | 185   | 19.27           | 1.01  | 82              | 164   | 17.03           | 1.15  | 98              | 138   | 14.33           | 1.36  | 109             | 124   | 12.87           | 1.52  | 126             | 107   | 11.08           | 1.68  | 134             | 100   | 10.42           | 1.74  | 156             | 86    | 8.97            | 1.91  | 175             | 77    | 8.01            | 2.1   | 206             | 66    | 6.81            | 2.0   | 229             | 59    | 6.11            | 2.2   | 266             | 51    | 5.27            | 2.3   | 283             | 48    | 4.95            | 2.4   | 329             | 41    | 4.26            | 2.5   | 367             | 37    | 3.81            | 2.7   | <b>2.2kW</b>    |       |                 |       |                 |       | <b>2.2kW</b>    |       |                 |       |                 |       | 1.00            | 18699 | 1420            | 0.90  | F 157R97        | 4     | 1.00            | 18699 |                 |       | 1420            | 0.90  |                 |       | 1.09            | 17224 |                 |      | 1308            | 0.98  | 1.21            | 15394 |                 |       | 1169            | 1.10  |                 |       | 1.49            | 12549 |                 |       | 953             | 1.35  | 1.68            | 11127 | 845             | 1.52  | 1.86            | 10061 | 764             | 1.68  | 2.1             | 8954  | 680             | 1.89  | 2.5             | 7585  | 576             | 2.2   | 3.2             | 5873  | 446             | 2.9   | 4.7             | 3964  | 301             | 4.3   | 5.2             | 3582  | 272             | 4.7   | 6.1             | 3042  | 231             | 5.6   | 7.2             | 2581  | 196             | 6.6   | 1.31            | 14288 | 1085            | 0.79  | 1.52            | 12339 | 937             | 0.91  | 1.72            | 10890 | 827             | 1.04  | 1.94            | 9652  | 733             | 1.17  | <b>F 127R77</b> |       |                 |       |                 |       | <b>F 127R77</b> |       |                 |      |                 |      |                 |      |                 |  |                 |  |                 |  |                 |  |  |  |  |  |  |  |  |  |  |  |  |  |  |  |  |  |
| 4.1             | 3142       | 345      | 0.90                   | 4.7             | 2732    | 300             | 1.03       | 5.6          | 2268                   |                 |         | 249          | 1.24 | 2.7             | 4981  | 255.25          | 1.48  | 3.2             | 4197  | 215.04          | 1.76  | 3.5          | 3890  | 199.31          | 1.89  | 3.9             | 3486  | 178.64       | 2.1   | 3.6          | 3736  | 255.25          | 2.0   | 4.3          | 3147  | 215.04       | 2.3   | 4.6             | 2917  | 199.31       | 2.5   | 5.2          | 2615  | 178.64          | 2.8   | 3.3          | 4049  | 276.64       | 1.00  | 3.6             | 3729  | 254.79       | 1.08  | 4.1          | 3313  | 226.34          | 1.22  | 4.9          | 2759  | 188.50       | 1.47  | 5.2             | 2574  | 175.83       | 1.57  | 5.1          | 2661  | 276.64          | 1.52  | 5.5          | 2451  | 254.79       | 1.65  | 6.2             | 2177  | 226.34       | 1.86  | 7.4          | 1813  | 188.50          | 2.2   | 8.0          | 1691  | 175.83       | 2.4   | 5.2             | 2615  | 271.92       | 1.08  | 5.5          | 2452  | 254.93          | 1.15  | 6.1          | 2198  | 228.57       | 1.28  | 7.1             | 1893  | 196.85       | 1.49  | 7.8          | 1721  | 178.95       | 1.63  | 8.8          | 1535  | 159.61       | 1.84  | 10           | 1290  | 134.16       | 2.2   | 13           | 1053  | 109.49       | 2.7   | 14           | 942   | 97.89           | 3.0   | 8.4          | 1601  | 166.47          | 0.88  | 9.8             | 1368  | 142.27          | 1.03  | 11              | 1254  | 130.42          | 1.12  | 12              | 1101  | 114.45          | 1.28  | 13              | 1043  | 108.46          | 1.35  | 15              | 913   | 94.93           | 1.54  | 16              | 823   | 85.52           | 1.71  | 19              | 722   | 75.02           | 1.95  | 19              | 695   | 72.29           | 2.0   | 21              | 637   | 66.28           | 2.2   | 24              | 559   | 58.16           | 2.5   | 25              | 530   | 55.12           | 2.7   | 29              | 464   | 48.24           | 3.0   | 32              | 418   | 43.46           | 3.4   | 37              | 367   | 38.12           | 3.8   | 38              | 352   | 36.52           | 3.0   | 44              | 303   | 31.45           | 4.3   | 15              | 871   | 90.59           | 0.88  | 18              | 750   | 77.97           | 1.03  | 21              | 636   | 66.13           | 1.21  | 23              | 574   | 59.70           | 1.34  | 27              | 505   | 52.53           | 1.53  | 28              | 477   | 49.60           | 1.62  | 33              | 406   | 42.23           | 1.90  | 36              | 369   | 38.38           | 1.99  | 39              | 349   | 36.30           | 2.2   | 44              | 309   | 32.08           | 2.5   | 51              | 264   | 27.41           | 2.9   | 56              | 242   | 25.13           | 3.2   | 24              | 568   | 59.10           | 0.99  | 28              | 483   | 50.22           | 1.17  | 31              | 431   | 44.84           | 1.31  | 37              | 368   | 38.30           | 1.53  | 39              | 345   | 35.87           | 1.63  | 46              | 291   | 30.22           | 1.94  | 33              | 409   | 42.55           | 0.92  | 39              | 350   | 36.34           | 1.08  | 41              | 327   | 34.04           | 1.15  | 49              | 276   | 28.67           | 1.36  | 46              | 295   | 30.64           | 1.28  | 48              | 280   | 29.11           | 1.34  | 55              | 246   | 25.54           | 1.53  | 65              | 208   | 21.66           | 1.80  | 72              | 188   | 19.56           | 2.0   | 81              | 166   | 17.21           | 2.3   | 86              | 156   | 16.25           | 2.4   | 101             | 133   | 13.83           | 2.8   | 68              | 198   | 20.57           | 0.95  | 73              | 185   | 19.27           | 1.01  | 82              | 164   | 17.03           | 1.15  | 98              | 138   | 14.33           | 1.36  | 109             | 124   | 12.87           | 1.52  | 126             | 107   | 11.08           | 1.68  | 134             | 100   | 10.42           | 1.74  | 156             | 86    | 8.97            | 1.91  | 175             | 77    | 8.01            | 2.1   | 206             | 66    | 6.81            | 2.0   | 229             | 59    | 6.11            | 2.2   | 266             | 51    | 5.27            | 2.3   | 283             | 48    | 4.95            | 2.4   | 329             | 41    | 4.26            | 2.5   | 367             | 37    | 3.81            | 2.7   | <b>2.2kW</b>    |       |                 |       |                 |       | <b>2.2kW</b>    |       |                 |       |                 |       | 1.00            | 18699 | 1420            | 0.90  | F 157R97        | 4     | 1.00            | 18699 |                 |       | 1420            | 0.90  |                 |       | 1.09            | 17224 |                 |       | 1308            | 0.98  |                 |      | 1.21            | 15394 | 1169            | 1.10  |                 |       | 1.49            | 12549 |                 |       | 953             | 1.35  |                 |       | 1.68            | 11127 | 845             | 1.52  | 1.86            | 10061 | 764             | 1.68  | 2.1             | 8954  | 680             | 1.89  | 2.5             | 7585  | 576             | 2.2   | 3.2             | 5873  | 446             | 2.9   | 4.7             | 3964  | 301             | 4.3   | 5.2             | 3582  | 272             | 4.7   | 6.1             | 3042  | 231             | 5.6   | 7.2             | 2581  | 196             | 6.6   | 1.31            | 14288 | 1085            | 0.79  | 1.52            | 12339 | 937             | 0.91  | 1.72            | 10890 | 827             | 1.04  | 1.94            | 9652  | 733             | 1.17  | <b>F 127R77</b> |       |                 |       |                 |       | <b>F 127R77</b> |       |                 |       |                 |      |                 |      |                 |      |                 |  |                 |  |                 |  |                 |  |  |  |  |  |  |  |  |  |  |  |  |  |  |  |  |  |
| 4.7             | 2732       | 300      | 1.03                   | 5.6             | 2268    | 249             | 1.24       | 2.7          | 4981                   |                 |         | 255.25       | 1.48 | 3.2             | 4197  | 215.04          | 1.76  | 3.5             | 3890  | 199.31          | 1.89  | 3.9          | 3486  | 178.64          | 2.1   | 3.6             | 3736  | 255.25       | 2.0   | 4.3          | 3147  | 215.04          | 2.3   | 4.6          | 2917  | 199.31       | 2.5   | 5.2             | 2615  | 178.64       | 2.8   | 3.3          | 4049  | 276.64          | 1.00  | 3.6          | 3729  | 254.79       | 1.08  | 4.1             | 3313  | 226.34       | 1.22  | 4.9          | 2759  | 188.50          | 1.47  | 5.2          | 2574  | 175.83       | 1.57  | 5.1             | 2661  | 276.64       | 1.52  | 5.5          | 2451  | 254.79          | 1.65  | 6.2          | 2177  | 226.34       | 1.86  | 7.4             | 1813  | 188.50       | 2.2   | 8.0          | 1691  | 175.83          | 2.4   | 5.2          | 2615  | 271.92       | 1.08  | 5.5             | 2452  | 254.93       | 1.15  | 6.1          | 2198  | 228.57          | 1.28  | 7.1          | 1893  | 196.85       | 1.49  | 7.8             | 1721  | 178.95       | 1.63  | 8.8          | 1535  | 159.61       | 1.84  | 10           | 1290  | 134.16       | 2.2   | 13           | 1053  | 109.49       | 2.7   | 14           | 942   | 97.89        | 3.0   | 8.4          | 1601  | 166.47          | 0.88  | 9.8          | 1368  | 142.27          | 1.03  | 11              | 1254  | 130.42          | 1.12  | 12              | 1101  | 114.45          | 1.28  | 13              | 1043  | 108.46          | 1.35  | 15              | 913   | 94.93           | 1.54  | 16              | 823   | 85.52           | 1.71  | 19              | 722   | 75.02           | 1.95  | 19              | 695   | 72.29           | 2.0   | 21              | 637   | 66.28           | 2.2   | 24              | 559   | 58.16           | 2.5   | 25              | 530   | 55.12           | 2.7   | 29              | 464   | 48.24           | 3.0   | 32              | 418   | 43.46           | 3.4   | 37              | 367   | 38.12           | 3.8   | 38              | 352   | 36.52           | 3.0   | 44              | 303   | 31.45           | 4.3   | 15              | 871   | 90.59           | 0.88  | 18              | 750   | 77.97           | 1.03  | 21              | 636   | 66.13           | 1.21  | 23              | 574   | 59.70           | 1.34  | 27              | 505   | 52.53           | 1.53  | 28              | 477   | 49.60           | 1.62  | 33              | 406   | 42.23           | 1.90  | 36              | 369   | 38.38           | 1.99  | 39              | 349   | 36.30           | 2.2   | 44              | 309   | 32.08           | 2.5   | 51              | 264   | 27.41           | 2.9   | 56              | 242   | 25.13           | 3.2   | 24              | 568   | 59.10           | 0.99  | 28              | 483   | 50.22           | 1.17  | 31              | 431   | 44.84           | 1.31  | 37              | 368   | 38.30           | 1.53  | 39              | 345   | 35.87           | 1.63  | 46              | 291   | 30.22           | 1.94  | 33              | 409   | 42.55           | 0.92  | 39              | 350   | 36.34           | 1.08  | 41              | 327   | 34.04           | 1.15  | 49              | 276   | 28.67           | 1.36  | 46              | 295   | 30.64           | 1.28  | 48              | 280   | 29.11           | 1.34  | 55              | 246   | 25.54           | 1.53  | 65              | 208   | 21.66           | 1.80  | 72              | 188   | 19.56           | 2.0   | 81              | 166   | 17.21           | 2.3   | 86              | 156   | 16.25           | 2.4   | 101             | 133   | 13.83           | 2.8   | 68              | 198   | 20.57           | 0.95  | 73              | 185   | 19.27           | 1.01  | 82              | 164   | 17.03           | 1.15  | 98              | 138   | 14.33           | 1.36  | 109             | 124   | 12.87           | 1.52  | 126             | 107   | 11.08           | 1.68  | 134             | 100   | 10.42           | 1.74  | 156             | 86    | 8.97            | 1.91  | 175             | 77    | 8.01            | 2.1   | 206             | 66    | 6.81            | 2.0   | 229             | 59    | 6.11            | 2.2   | 266             | 51    | 5.27            | 2.3   | 283             | 48    | 4.95            | 2.4   | 329             | 41    | 4.26            | 2.5   | 367             | 37    | 3.81            | 2.7   | <b>2.2kW</b>    |       |                 |       |                 |       | <b>2.2kW</b>    |       |                 |       |                 |       | 1.00            | 18699 | 1420            | 0.90  | F 157R97        | 4     | 1.00            | 18699 |                 |       | 1420            | 0.90  |                 |       | 1.09            | 17224 |                 |       | 1308            | 0.98  |                 |       | 1.21            | 15394 |                 |      | 1169            | 1.10  | 1.49            | 12549 |                 |       | 953             | 1.35  |                 |       | 1.68            | 11127 |                 |       | 845             | 1.52  | 1.86            | 10061 | 764             | 1.68  | 2.1             | 8954  | 680             | 1.89  | 2.5             | 7585  | 576             | 2.2   | 3.2             | 5873  | 446             | 2.9   | 4.7             | 3964  | 301             | 4.3   | 5.2             | 3582  | 272             | 4.7   | 6.1             | 3042  | 231             | 5.6   | 7.2             | 2581  | 196             | 6.6   | 1.31            | 14288 | 1085            | 0.79  | 1.52            | 12339 | 937             | 0.91  | 1.72            | 10890 | 827             | 1.04  | 1.94            | 9652  | 733             | 1.17  | <b>F 127R77</b> |       |                 |       |                 |       | <b>F 127R77</b> |       |                 |       |                 |       |                 |      |                 |      |                 |      |                 |  |                 |  |                 |  |                 |  |  |  |  |  |  |  |  |  |  |  |  |  |  |  |  |  |
| 5.6             | 2268       | 249      | 1.24                   | 2.7             | 4981    | 255.25          | 1.48       | 3.2          | 4197                   |                 |         | 215.04       | 1.76 | 3.5             | 3890  | 199.31          | 1.89  | 3.9             | 3486  | 178.64          | 2.1   | 3.6          | 3736  | 255.25          | 2.0   | 4.3             | 3147  | 215.04       | 2.3   | 4.6          | 2917  | 199.31          | 2.5   | 5.2          | 2615  | 178.64       | 2.8   | 3.3             | 4049  | 276.64       | 1.00  | 3.6          | 3729  | 254.79          | 1.08  | 4.1          | 3313  | 226.34       | 1.22  | 4.9             | 2759  | 188.50       | 1.47  | 5.2          | 2574  | 175.83          | 1.57  | 5.1          | 2661  | 276.64       | 1.52  | 5.5             | 2451  | 254.79       | 1.65  | 6.2          | 2177  | 226.34          | 1.86  | 7.4          | 1813  | 188.50       | 2.2   | 8.0             | 1691  | 175.83       | 2.4   | 5.2          | 2615  | 271.92          | 1.08  | 5.5          | 2452  | 254.93       | 1.15  | 6.1             | 2198  | 228.57       | 1.28  | 7.1          | 1893  | 196.85          | 1.49  | 7.8          | 1721  | 178.95       | 1.63  | 8.8             | 1535  | 159.61       | 1.84  | 10           | 1290  | 134.16       | 2.2   | 13           | 1053  | 109.49       | 2.7   | 14           | 942   | 97.89        | 3.0   | 8.4          | 1601  | 166.47       | 0.88  | 9.8          | 1368  | 142.27          | 1.03  | 11           | 1254  | 130.42          | 1.12  | 12              | 1101  | 114.45          | 1.28  | 13              | 1043  | 108.46          | 1.35  | 15              | 913   | 94.93           | 1.54  | 16              | 823   | 85.52           | 1.71  | 19              | 722   | 75.02           | 1.95  | 19              | 695   | 72.29           | 2.0   | 21              | 637   | 66.28           | 2.2   | 24              | 559   | 58.16           | 2.5   | 25              | 530   | 55.12           | 2.7   | 29              | 464   | 48.24           | 3.0   | 32              | 418   | 43.46           | 3.4   | 37              | 367   | 38.12           | 3.8   | 38              | 352   | 36.52           | 3.0   | 44              | 303   | 31.45           | 4.3   | 15              | 871   | 90.59           | 0.88  | 18              | 750   | 77.97           | 1.03  | 21              | 636   | 66.13           | 1.21  | 23              | 574   | 59.70           | 1.34  | 27              | 505   | 52.53           | 1.53  | 28              | 477   | 49.60           | 1.62  | 33              | 406   | 42.23           | 1.90  | 36              | 369   | 38.38           | 1.99  | 39              | 349   | 36.30           | 2.2   | 44              | 309   | 32.08           | 2.5   | 51              | 264   | 27.41           | 2.9   | 56              | 242   | 25.13           | 3.2   | 24              | 568   | 59.10           | 0.99  | 28              | 483   | 50.22           | 1.17  | 31              | 431   | 44.84           | 1.31  | 37              | 368   | 38.30           | 1.53  | 39              | 345   | 35.87           | 1.63  | 46              | 291   | 30.22           | 1.94  | 33              | 409   | 42.55           | 0.92  | 39              | 350   | 36.34           | 1.08  | 41              | 327   | 34.04           | 1.15  | 49              | 276   | 28.67           | 1.36  | 46              | 295   | 30.64           | 1.28  | 48              | 280   | 29.11           | 1.34  | 55              | 246   | 25.54           | 1.53  | 65              | 208   | 21.66           | 1.80  | 72              | 188   | 19.56           | 2.0   | 81              | 166   | 17.21           | 2.3   | 86              | 156   | 16.25           | 2.4   | 101             | 133   | 13.83           | 2.8   | 68              | 198   | 20.57           | 0.95  | 73              | 185   | 19.27           | 1.01  | 82              | 164   | 17.03           | 1.15  | 98              | 138   | 14.33           | 1.36  | 109             | 124   | 12.87           | 1.52  | 126             | 107   | 11.08           | 1.68  | 134             | 100   | 10.42           | 1.74  | 156             | 86    | 8.97            | 1.91  | 175             | 77    | 8.01            | 2.1   | 206             | 66    | 6.81            | 2.0   | 229             | 59    | 6.11            | 2.2   | 266             | 51    | 5.27            | 2.3   | 283             | 48    | 4.95            | 2.4   | 329             | 41    | 4.26            | 2.5   | 367             | 37    | 3.81            | 2.7   | <b>2.2kW</b>    |       |                 |       |                 |       | <b>2.2kW</b>    |       |                 |       |                 |       | 1.00            | 18699 | 1420            | 0.90  | F 157R97        | 4     | 1.00            | 18699 |                 |       | 1420            | 0.90  |                 |       | 1.09            | 17224 |                 |       | 1308            | 0.98  |                 |       | 1.21            | 15394 |                 |       | 1169            | 1.10  |                 |      | 1.49            | 12549 | 953             | 1.35  |                 |       | 1.68            | 11127 |                 |       | 845             | 1.52  |                 |       | 1.86            | 10061 | 764             | 1.68  | 2.1             | 8954  | 680             | 1.89  | 2.5             | 7585  | 576             | 2.2   | 3.2             | 5873  | 446             | 2.9   | 4.7             | 3964  | 301             | 4.3   | 5.2             | 3582  | 272             | 4.7   | 6.1             | 3042  | 231             | 5.6   | 7.2             | 2581  | 196             | 6.6   | 1.31            | 14288 | 1085            | 0.79  | 1.52            | 12339 | 937             | 0.91  | 1.72            | 10890 | 827             | 1.04  | 1.94            | 9652  | 733             | 1.17  | <b>F 127R77</b> |       |                 |       |                 |       | <b>F 127R77</b> |       |                 |       |                 |       |                 |       |                 |      |                 |      |                 |      |                 |  |                 |  |                 |  |                 |  |  |  |  |  |  |  |  |  |  |  |  |  |  |  |  |  |
| 2.7             | 4981       | 255.25   | 1.48                   | 3.2             | 4197    | 215.04          | 1.76       | 3.5          | 3890                   |                 |         | 199.31       | 1.89 | 3.9             | 3486  | 178.64          | 2.1   | 3.6             | 3736  | 255.25          | 2.0   | 4.3          | 3147  | 215.04          | 2.3   | 4.6             | 2917  | 199.31       | 2.5   | 5.2          | 2615  | 178.64          | 2.8   | 3.3          | 4049  | 276.64       | 1.00  | 3.6             | 3729  | 254.79       | 1.08  | 4.1          | 3313  | 226.34          | 1.22  | 4.9          | 2759  | 188.50       | 1.47  | 5.2             | 2574  | 175.83       | 1.57  | 5.1          | 2661  | 276.64          | 1.52  | 5.5          | 2451  | 254.79       | 1.65  | 6.2             | 2177  | 226.34       | 1.86  | 7.4          | 1813  | 188.50          | 2.2   | 8.0          | 1691  | 175.83       | 2.4   | 5.2             | 2615  | 271.92       | 1.08  | 5.5          | 2452  | 254.93          | 1.15  | 6.1          | 2198  | 228.57       | 1.28  | 7.1             | 1893  | 196.85       | 1.49  | 7.8          | 1721  | 178.95          | 1.63  | 8.8          | 1535  | 159.61       | 1.84  | 10              | 1290  | 134.16       | 2.2   | 13           | 1053  | 109.49       | 2.7   | 14           | 942   | 97.89        | 3.0   | 8.4          | 1601  | 166.47       | 0.88  | 9.8          | 1368  | 142.27       | 1.03  | 11           | 1254  | 130.42          | 1.12  | 12           | 1101  | 114.45          | 1.28  | 13              | 1043  | 108.46          | 1.35  | 15              | 913   | 94.93           | 1.54  | 16              | 823   | 85.52           | 1.71  | 19              | 722   | 75.02           | 1.95  | 19              | 695   | 72.29           | 2.0   | 21              | 637   | 66.28           | 2.2   | 24              | 559   | 58.16           | 2.5   | 25              | 530   | 55.12           | 2.7   | 29              | 464   | 48.24           | 3.0   | 32              | 418   | 43.46           | 3.4   | 37              | 367   | 38.12           | 3.8   | 38              | 352   | 36.52           | 3.0   | 44              | 303   | 31.45           | 4.3   | 15              | 871   | 90.59           | 0.88  | 18              | 750   | 77.97           | 1.03  | 21              | 636   | 66.13           | 1.21  | 23              | 574   | 59.70           | 1.34  | 27              | 505   | 52.53           | 1.53  | 28              | 477   | 49.60           | 1.62  | 33              | 406   | 42.23           | 1.90  | 36              | 369   | 38.38           | 1.99  | 39              | 349   | 36.30           | 2.2   | 44              | 309   | 32.08           | 2.5   | 51              | 264   | 27.41           | 2.9   | 56              | 242   | 25.13           | 3.2   | 24              | 568   | 59.10           | 0.99  | 28              | 483   | 50.22           | 1.17  | 31              | 431   | 44.84           | 1.31  | 37              | 368   | 38.30           | 1.53  | 39              | 345   | 35.87           | 1.63  | 46              | 291   | 30.22           | 1.94  | 33              | 409   | 42.55           | 0.92  | 39              | 350   | 36.34           | 1.08  | 41              | 327   | 34.04           | 1.15  | 49              | 276   | 28.67           | 1.36  | 46              | 295   | 30.64           | 1.28  | 48              | 280   | 29.11           | 1.34  | 55              | 246   | 25.54           | 1.53  | 65              | 208   | 21.66           | 1.80  | 72              | 188   | 19.56           | 2.0   | 81              | 166   | 17.21           | 2.3   | 86              | 156   | 16.25           | 2.4   | 101             | 133   | 13.83           | 2.8   | 68              | 198   | 20.57           | 0.95  | 73              | 185   | 19.27           | 1.01  | 82              | 164   | 17.03           | 1.15  | 98              | 138   | 14.33           | 1.36  | 109             | 124   | 12.87           | 1.52  | 126             | 107   | 11.08           | 1.68  | 134             | 100   | 10.42           | 1.74  | 156             | 86    | 8.97            | 1.91  | 175             | 77    | 8.01            | 2.1   | 206             | 66    | 6.81            | 2.0   | 229             | 59    | 6.11            | 2.2   | 266             | 51    | 5.27            | 2.3   | 283             | 48    | 4.95            | 2.4   | 329             | 41    | 4.26            | 2.5   | 367             | 37    | 3.81            | 2.7   | <b>2.2kW</b>    |       |                 |       |                 |       | <b>2.2kW</b>    |       |                 |       |                 |       | 1.00            | 18699 | 1420            | 0.90  | F 157R97        | 4     | 1.00            | 18699 |                 |       | 1420            | 0.90  |                 |       | 1.09            | 17224 |                 |       | 1308            | 0.98  |                 |       | 1.21            | 15394 |                 |       | 1169            | 1.10  |                 |       | 1.49            | 12549 |                 |      | 953             | 1.35  | 1.68            | 11127 |                 |       | 845             | 1.52  |                 |       | 1.86            | 10061 |                 |       | 764             | 1.68  | 2.1             | 8954  | 680             | 1.89  | 2.5             | 7585  | 576             | 2.2   | 3.2             | 5873  | 446             | 2.9   | 4.7             | 3964  | 301             | 4.3   | 5.2             | 3582  | 272             | 4.7   | 6.1             | 3042  | 231             | 5.6   | 7.2             | 2581  | 196             | 6.6   | 1.31            | 14288 | 1085            | 0.79  | 1.52            | 12339 | 937             | 0.91  | 1.72            | 10890 | 827             | 1.04  | 1.94            | 9652  | 733             | 1.17  | <b>F 127R77</b> |       |                 |       |                 |       | <b>F 127R77</b> |       |                 |       |                 |       |                 |       |                 |       |                 |      |                 |      |                 |      |                 |  |                 |  |                 |  |                 |  |  |  |  |  |  |  |  |  |  |  |  |  |  |  |  |  |
| 3.2             | 4197       | 215.04   | 1.76                   | 3.5             | 3890    | 199.31          | 1.89       | 3.9          | 3486                   |                 |         | 178.64       | 2.1  | 3.6             | 3736  | 255.25          | 2.0   | 4.3             | 3147  | 215.04          | 2.3   | 4.6          | 2917  | 199.31          | 2.5   | 5.2             | 2615  | 178.64       | 2.8   | 3.3          | 4049  | 276.64          | 1.00  | 3.6          | 3729  | 254.79       | 1.08  | 4.1             | 3313  | 226.34       | 1.22  | 4.9          | 2759  | 188.50          | 1.47  | 5.2          | 2574  | 175.83       | 1.57  | 5.1             | 2661  | 276.64       | 1.52  | 5.5          | 2451  | 254.79          | 1.65  | 6.2          | 2177  | 226.34       | 1.86  | 7.4             | 1813  | 188.50       | 2.2   | 8.0          | 1691  | 175.83          | 2.4   | 5.2          | 2615  | 271.92       | 1.08  | 5.5             | 2452  | 254.93       | 1.15  | 6.1          | 2198  | 228.57          | 1.28  | 7.1          | 1893  | 196.85       | 1.49  | 7.8             | 1721  | 178.95       | 1.63  | 8.8          | 1535  | 159.61          | 1.84  | 10           | 1290  | 134.16       | 2.2   | 13              | 1053  | 109.49       | 2.7   | 14           | 942   | 97.89        | 3.0   | 8.4          | 1601  | 166.47       | 0.88  | 9.8          | 1368  | 142.27       | 1.03  | 11           | 1254  | 130.42       | 1.12  | 12           | 1101  | 114.45          | 1.28  | 13           | 1043  | 108.46          | 1.35  | 15              | 913   | 94.93           | 1.54  | 16              | 823   | 85.52           | 1.71  | 19              | 722   | 75.02           | 1.95  | 19              | 695   | 72.29           | 2.0   | 21              | 637   | 66.28           | 2.2   | 24              | 559   | 58.16           | 2.5   | 25              | 530   | 55.12           | 2.7   | 29              | 464   | 48.24           | 3.0   | 32              | 418   | 43.46           | 3.4   | 37              | 367   | 38.12           | 3.8   | 38              | 352   | 36.52           | 3.0   | 44              | 303   | 31.45           | 4.3   | 15              | 871   | 90.59           | 0.88  | 18              | 750   | 77.97           | 1.03  | 21              | 636   | 66.13           | 1.21  | 23              | 574   | 59.70           | 1.34  | 27              | 505   | 52.53           | 1.53  | 28              | 477   | 49.60           | 1.62  | 33              | 406   | 42.23           | 1.90  | 36              | 369   | 38.38           | 1.99  | 39              | 349   | 36.30           | 2.2   | 44              | 309   | 32.08           | 2.5   | 51              | 264   | 27.41           | 2.9   | 56              | 242   | 25.13           | 3.2   | 24              | 568   | 59.10           | 0.99  | 28              | 483   | 50.22           | 1.17  | 31              | 431   | 44.84           | 1.31  | 37              | 368   | 38.30           | 1.53  | 39              | 345   | 35.87           | 1.63  | 46              | 291   | 30.22           | 1.94  | 33              | 409   | 42.55           | 0.92  | 39              | 350   | 36.34           | 1.08  | 41              | 327   | 34.04           | 1.15  | 49              | 276   | 28.67           | 1.36  | 46              | 295   | 30.64           | 1.28  | 48              | 280   | 29.11           | 1.34  | 55              | 246   | 25.54           | 1.53  | 65              | 208   | 21.66           | 1.80  | 72              | 188   | 19.56           | 2.0   | 81              | 166   | 17.21           | 2.3   | 86              | 156   | 16.25           | 2.4   | 101             | 133   | 13.83           | 2.8   | 68              | 198   | 20.57           | 0.95  | 73              | 185   | 19.27           | 1.01  | 82              | 164   | 17.03           | 1.15  | 98              | 138   | 14.33           | 1.36  | 109             | 124   | 12.87           | 1.52  | 126             | 107   | 11.08           | 1.68  | 134             | 100   | 10.42           | 1.74  | 156             | 86    | 8.97            | 1.91  | 175             | 77    | 8.01            | 2.1   | 206             | 66    | 6.81            | 2.0   | 229             | 59    | 6.11            | 2.2   | 266             | 51    | 5.27            | 2.3   | 283             | 48    | 4.95            | 2.4   | 329             | 41    | 4.26            | 2.5   | 367             | 37    | 3.81            | 2.7   | <b>2.2kW</b>    |       |                 |       |                 |       | <b>2.2kW</b>    |       |                 |       |                 |       | 1.00            | 18699 | 1420            | 0.90  | F 157R97        | 4     | 1.00            | 18699 |                 |       | 1420            | 0.90  |                 |       | 1.09            | 17224 |                 |       | 1308            | 0.98  |                 |       | 1.21            | 15394 |                 |       | 1169            | 1.10  |                 |       | 1.49            | 12549 |                 |       | 953             | 1.35  |                 |      | 1.68            | 11127 | 845             | 1.52  |                 |       | 1.86            | 10061 |                 |       | 764             | 1.68  |                 |       | 2.1             | 8954  | 680             | 1.89  | 2.5             | 7585  | 576             | 2.2   | 3.2             | 5873  | 446             | 2.9   | 4.7             | 3964  | 301             | 4.3   | 5.2             | 3582  | 272             | 4.7   | 6.1             | 3042  | 231             | 5.6   | 7.2             | 2581  | 196             | 6.6   | 1.31            | 14288 | 1085            | 0.79  | 1.52            | 12339 | 937             | 0.91  | 1.72            | 10890 | 827             | 1.04  | 1.94            | 9652  | 733             | 1.17  | <b>F 127R77</b> |       |                 |       |                 |       | <b>F 127R77</b> |       |                 |       |                 |       |                 |       |                 |       |                 |       |                 |      |                 |      |                 |      |                 |  |                 |  |                 |  |                 |  |  |  |  |  |  |  |  |  |  |  |  |  |  |  |  |  |
| 3.5             | 3890       | 199.31   | 1.89                   | 3.9             | 3486    | 178.64          | 2.1        | 3.6          | 3736                   |                 |         | 255.25       | 2.0  | 4.3             | 3147  | 215.04          | 2.3   | 4.6             | 2917  | 199.31          | 2.5   | 5.2          | 2615  | 178.64          | 2.8   | 3.3             | 4049  | 276.64       | 1.00  | 3.6          | 3729  | 254.79          | 1.08  | 4.1          | 3313  | 226.34       | 1.22  | 4.9             | 2759  | 188.50       | 1.47  | 5.2          | 2574  | 175.83          | 1.57  | 5.1          | 2661  | 276.64       | 1.52  | 5.5             | 2451  | 254.79       | 1.65  | 6.2          | 2177  | 226.34          | 1.86  | 7.4          | 1813  | 188.50       | 2.2   | 8.0             | 1691  | 175.83       | 2.4   | 5.2          | 2615  | 271.92          | 1.08  | 5.5          | 2452  | 254.93       | 1.15  | 6.1             | 2198  | 228.57       | 1.28  | 7.1          | 1893  | 196.85          | 1.49  | 7.8          | 1721  | 178.95       | 1.63  | 8.8             | 1535  | 159.61       | 1.84  | 10           | 1290  | 134.16          | 2.2   | 13           | 1053  | 109.49       | 2.7   | 14              | 942   | 97.89        | 3.0   | 8.4          | 1601  | 166.47       | 0.88  | 9.8          | 1368  | 142.27       | 1.03  | 11           | 1254  | 130.42       | 1.12  | 12           | 1101  | 114.45       | 1.28  | 13           | 1043  | 108.46          | 1.35  | 15           | 913   | 94.93           | 1.54  | 16              | 823   | 85.52           | 1.71  | 19              | 722   | 75.02           | 1.95  | 19              | 695   | 72.29           | 2.0   | 21              | 637   | 66.28           | 2.2   | 24              | 559   | 58.16           | 2.5   | 25              | 530   | 55.12           | 2.7   | 29              | 464   | 48.24           | 3.0   | 32              | 418   | 43.46           | 3.4   | 37              | 367   | 38.12           | 3.8   | 38              | 352   | 36.52           | 3.0   | 44              | 303   | 31.45           | 4.3   | 15              | 871   | 90.59           | 0.88  | 18              | 750   | 77.97           | 1.03  | 21              | 636   | 66.13           | 1.21  | 23              | 574   | 59.70           | 1.34  | 27              | 505   | 52.53           | 1.53  | 28              | 477   | 49.60           | 1.62  | 33              | 406   | 42.23           | 1.90  | 36              | 369   | 38.38           | 1.99  | 39              | 349   | 36.30           | 2.2   | 44              | 309   | 32.08           | 2.5   | 51              | 264   | 27.41           | 2.9   | 56              | 242   | 25.13           | 3.2   | 24              | 568   | 59.10           | 0.99  | 28              | 483   | 50.22           | 1.17  | 31              | 431   | 44.84           | 1.31  | 37              | 368   | 38.30           | 1.53  | 39              | 345   | 35.87           | 1.63  | 46              | 291   | 30.22           | 1.94  | 33              | 409   | 42.55           | 0.92  | 39              | 350   | 36.34           | 1.08  | 41              | 327   | 34.04           | 1.15  | 49              | 276   | 28.67           | 1.36  | 46              | 295   | 30.64           | 1.28  | 48              | 280   | 29.11           | 1.34  | 55              | 246   | 25.54           | 1.53  | 65              | 208   | 21.66           | 1.80  | 72              | 188   | 19.56           | 2.0   | 81              | 166   | 17.21           | 2.3   | 86              | 156   | 16.25           | 2.4   | 101             | 133   | 13.83           | 2.8   | 68              | 198   | 20.57           | 0.95  | 73              | 185   | 19.27           | 1.01  | 82              | 164   | 17.03           | 1.15  | 98              | 138   | 14.33           | 1.36  | 109             | 124   | 12.87           | 1.52  | 126             | 107   | 11.08           | 1.68  | 134             | 100   | 10.42           | 1.74  | 156             | 86    | 8.97            | 1.91  | 175             | 77    | 8.01            | 2.1   | 206             | 66    | 6.81            | 2.0   | 229             | 59    | 6.11            | 2.2   | 266             | 51    | 5.27            | 2.3   | 283             | 48    | 4.95            | 2.4   | 329             | 41    | 4.26            | 2.5   | 367             | 37    | 3.81            | 2.7   | <b>2.2kW</b>    |       |                 |       |                 |       | <b>2.2kW</b>    |       |                 |       |                 |       | 1.00            | 18699 | 1420            | 0.90  | F 157R97        | 4     | 1.00            | 18699 |                 |       | 1420            | 0.90  |                 |       | 1.09            | 17224 |                 |       | 1308            | 0.98  |                 |       | 1.21            | 15394 |                 |       | 1169            | 1.10  |                 |       | 1.49            | 12549 |                 |       | 953             | 1.35  |                 |       | 1.68            | 11127 |                 |      | 845             | 1.52  | 1.86            | 10061 |                 |       | 764             | 1.68  |                 |       | 2.1             | 8954  |                 |       | 680             | 1.89  | 2.5             | 7585  | 576             | 2.2   | 3.2             | 5873  | 446             | 2.9   | 4.7             | 3964  | 301             | 4.3   | 5.2             | 3582  | 272             | 4.7   | 6.1             | 3042  | 231             | 5.6   | 7.2             | 2581  | 196             | 6.6   | 1.31            | 14288 | 1085            | 0.79  | 1.52            | 12339 | 937             | 0.91  | 1.72            | 10890 | 827             | 1.04  | 1.94            | 9652  | 733             | 1.17  | <b>F 127R77</b> |       |                 |       |                 |       | <b>F 127R77</b> |       |                 |       |                 |       |                 |       |                 |       |                 |       |                 |       |                 |      |                 |      |                 |      |                 |  |                 |  |                 |  |                 |  |  |  |  |  |  |  |  |  |  |  |  |  |  |  |  |  |
| 3.9             | 3486       | 178.64   | 2.1                    | 3.6             | 3736    | 255.25          | 2.0        | 4.3          | 3147                   |                 |         | 215.04       | 2.3  | 4.6             | 2917  | 199.31          | 2.5   | 5.2             | 2615  | 178.64          | 2.8   | 3.3          | 4049  | 276.64          | 1.00  | 3.6             | 3729  | 254.79       | 1.08  | 4.1          | 3313  | 226.34          | 1.22  | 4.9          | 2759  | 188.50       | 1.47  | 5.2             | 2574  | 175.83       | 1.57  | 5.1          | 2661  | 276.64          | 1.52  | 5.5          | 2451  | 254.79       | 1.65  | 6.2             | 2177  | 226.34       | 1.86  | 7.4          | 1813  | 188.50          | 2.2   | 8.0          | 1691  | 175.83       | 2.4   | 5.2             | 2615  | 271.92       | 1.08  | 5.5          | 2452  | 254.93          | 1.15  | 6.1          | 2198  | 228.57       | 1.28  | 7.1             | 1893  | 196.85       | 1.49  | 7.8          | 1721  | 178.95          | 1.63  | 8.8          | 1535  | 159.61       | 1.84  | 10              | 1290  | 134.16       | 2.2   | 13           | 1053  | 109.49          | 2.7   | 14           | 942   | 97.89        | 3.0   | 8.4             | 1601  | 166.47       | 0.88  | 9.8          | 1368  | 142.27       | 1.03  | 11           | 1254  | 130.42       | 1.12  | 12           | 1101  | 114.45       | 1.28  | 13           | 1043  | 108.46       | 1.35  | 15           | 913   | 94.93           | 1.54  | 16           | 823   | 85.52           | 1.71  | 19              | 722   | 75.02           | 1.95  | 19              | 695   | 72.29           | 2.0   | 21              | 637   | 66.28           | 2.2   | 24              | 559   | 58.16           | 2.5   | 25              | 530   | 55.12           | 2.7   | 29              | 464   | 48.24           | 3.0   | 32              | 418   | 43.46           | 3.4   | 37              | 367   | 38.12           | 3.8   | 38              | 352   | 36.52           | 3.0   | 44              | 303   | 31.45           | 4.3   | 15              | 871   | 90.59           | 0.88  | 18              | 750   | 77.97           | 1.03  | 21              | 636   | 66.13           | 1.21  | 23              | 574   | 59.70           | 1.34  | 27              | 505   | 52.53           | 1.53  | 28              | 477   | 49.60           | 1.62  | 33              | 406   | 42.23           | 1.90  | 36              | 369   | 38.38           | 1.99  | 39              | 349   | 36.30           | 2.2   | 44              | 309   | 32.08           | 2.5   | 51              | 264   | 27.41           | 2.9   | 56              | 242   | 25.13           | 3.2   | 24              | 568   | 59.10           | 0.99  | 28              | 483   | 50.22           | 1.17  | 31              | 431   | 44.84           | 1.31  | 37              | 368   | 38.30           | 1.53  | 39              | 345   | 35.87           | 1.63  | 46              | 291   | 30.22           | 1.94  | 33              | 409   | 42.55           | 0.92  | 39              | 350   | 36.34           | 1.08  | 41              | 327   | 34.04           | 1.15  | 49              | 276   | 28.67           | 1.36  | 46              | 295   | 30.64           | 1.28  | 48              | 280   | 29.11           | 1.34  | 55              | 246   | 25.54           | 1.53  | 65              | 208   | 21.66           | 1.80  | 72              | 188   | 19.56           | 2.0   | 81              | 166   | 17.21           | 2.3   | 86              | 156   | 16.25           | 2.4   | 101             | 133   | 13.83           | 2.8   | 68              | 198   | 20.57           | 0.95  | 73              | 185   | 19.27           | 1.01  | 82              | 164   | 17.03           | 1.15  | 98              | 138   | 14.33           | 1.36  | 109             | 124   | 12.87           | 1.52  | 126             | 107   | 11.08           | 1.68  | 134             | 100   | 10.42           | 1.74  | 156             | 86    | 8.97            | 1.91  | 175             | 77    | 8.01            | 2.1   | 206             | 66    | 6.81            | 2.0   | 229             | 59    | 6.11            | 2.2   | 266             | 51    | 5.27            | 2.3   | 283             | 48    | 4.95            | 2.4   | 329             | 41    | 4.26            | 2.5   | 367             | 37    | 3.81            | 2.7   | <b>2.2kW</b>    |       |                 |       |                 |       | <b>2.2kW</b>    |       |                 |       |                 |       | 1.00            | 18699 | 1420            | 0.90  | F 157R97        | 4     | 1.00            | 18699 |                 |       | 1420            | 0.90  |                 |       | 1.09            | 17224 |                 |       | 1308            | 0.98  |                 |       | 1.21            | 15394 |                 |       | 1169            | 1.10  |                 |       | 1.49            | 12549 |                 |       | 953             | 1.35  |                 |       | 1.68            | 11127 |                 |       | 845             | 1.52  |                 |      | 1.86            | 10061 | 764             | 1.68  |                 |       | 2.1             | 8954  |                 |       | 680             | 1.89  |                 |       | 2.5             | 7585  | 576             | 2.2   | 3.2             | 5873  | 446             | 2.9   | 4.7             | 3964  | 301             | 4.3   | 5.2             | 3582  | 272             | 4.7   | 6.1             | 3042  | 231             | 5.6   | 7.2             | 2581  | 196             | 6.6   | 1.31            | 14288 | 1085            | 0.79  | 1.52            | 12339 | 937             | 0.91  | 1.72            | 10890 | 827             | 1.04  | 1.94            | 9652  | 733             | 1.17  | <b>F 127R77</b> |       |                 |       |                 |       | <b>F 127R77</b> |       |                 |       |                 |       |                 |       |                 |       |                 |       |                 |       |                 |       |                 |      |                 |      |                 |      |                 |  |                 |  |                 |  |                 |  |  |  |  |  |  |  |  |  |  |  |  |  |  |  |  |  |
| 3.6             | 3736       | 255.25   | 2.0                    | 4.3             | 3147    | 215.04          | 2.3        | 4.6          | 2917                   |                 |         | 199.31       | 2.5  | 5.2             | 2615  | 178.64          | 2.8   | 3.3             | 4049  | 276.64          | 1.00  | 3.6          | 3729  | 254.79          | 1.08  | 4.1             | 3313  | 226.34       | 1.22  | 4.9          | 2759  | 188.50          | 1.47  | 5.2          | 2574  | 175.83       | 1.57  | 5.1             | 2661  | 276.64       | 1.52  | 5.5          | 2451  | 254.79          | 1.65  | 6.2          | 2177  | 226.34       | 1.86  | 7.4             | 1813  | 188.50       | 2.2   | 8.0          | 1691  | 175.83          | 2.4   | 5.2          | 2615  | 271.92       | 1.08  | 5.5             | 2452  | 254.93       | 1.15  | 6.1          | 2198  | 228.57          | 1.28  | 7.1          | 1893  | 196.85       | 1.49  | 7.8             | 1721  | 178.95       | 1.63  | 8.8          | 1535  | 159.61          | 1.84  | 10           | 1290  | 134.16       | 2.2   | 13              | 1053  | 109.49       | 2.7   | 14           | 942   | 97.89           | 3.0   | 8.4          | 1601  | 166.47       | 0.88  | 9.8             | 1368  | 142.27       | 1.03  | 11           | 1254  | 130.42       | 1.12  | 12           | 1101  | 114.45       | 1.28  | 13           | 1043  | 108.46       | 1.35  | 15           | 913   | 94.93        | 1.54  | 16           | 823   | 85.52           | 1.71  | 19           | 722   | 75.02           | 1.95  | 19              | 695   | 72.29           | 2.0   | 21              | 637   | 66.28           | 2.2   | 24              | 559   | 58.16           | 2.5   | 25              | 530   | 55.12           | 2.7   | 29              | 464   | 48.24           | 3.0   | 32              | 418   | 43.46           | 3.4   | 37              | 367   | 38.12           | 3.8   | 38              | 352   | 36.52           | 3.0   | 44              | 303   | 31.45           | 4.3   | 15              | 871   | 90.59           | 0.88  | 18              | 750   | 77.97           | 1.03  | 21              | 636   | 66.13           | 1.21  | 23              | 574   | 59.70           | 1.34  | 27              | 505   | 52.53           | 1.53  | 28              | 477   | 49.60           | 1.62  | 33              | 406   | 42.23           | 1.90  | 36              | 369   | 38.38           | 1.99  | 39              | 349   | 36.30           | 2.2   | 44              | 309   | 32.08           | 2.5   | 51              | 264   | 27.41           | 2.9   | 56              | 242   | 25.13           | 3.2   | 24              | 568   | 59.10           | 0.99  | 28              | 483   | 50.22           | 1.17  | 31              | 431   | 44.84           | 1.31  | 37              | 368   | 38.30           | 1.53  | 39              | 345   | 35.87           | 1.63  | 46              | 291   | 30.22           | 1.94  | 33              | 409   | 42.55           | 0.92  | 39              | 350   | 36.34           | 1.08  | 41              | 327   | 34.04           | 1.15  | 49              | 276   | 28.67           | 1.36  | 46              | 295   | 30.64           | 1.28  | 48              | 280   | 29.11           | 1.34  | 55              | 246   | 25.54           | 1.53  | 65              | 208   | 21.66           | 1.80  | 72              | 188   | 19.56           | 2.0   | 81              | 166   | 17.21           | 2.3   | 86              | 156   | 16.25           | 2.4   | 101             | 133   | 13.83           | 2.8   | 68              | 198   | 20.57           | 0.95  | 73              | 185   | 19.27           | 1.01  | 82              | 164   | 17.03           | 1.15  | 98              | 138   | 14.33           | 1.36  | 109             | 124   | 12.87           | 1.52  | 126             | 107   | 11.08           | 1.68  | 134             | 100   | 10.42           | 1.74  | 156             | 86    | 8.97            | 1.91  | 175             | 77    | 8.01            | 2.1   | 206             | 66    | 6.81            | 2.0   | 229             | 59    | 6.11            | 2.2   | 266             | 51    | 5.27            | 2.3   | 283             | 48    | 4.95            | 2.4   | 329             | 41    | 4.26            | 2.5   | 367             | 37    | 3.81            | 2.7   | <b>2.2kW</b>    |       |                 |       |                 |       | <b>2.2kW</b>    |       |                 |       |                 |       | 1.00            | 18699 | 1420            | 0.90  | F 157R97        | 4     | 1.00            | 18699 |                 |       | 1420            | 0.90  |                 |       | 1.09            | 17224 |                 |       | 1308            | 0.98  |                 |       | 1.21            | 15394 |                 |       | 1169            | 1.10  |                 |       | 1.49            | 12549 |                 |       | 953             | 1.35  |                 |       | 1.68            | 11127 |                 |       | 845             | 1.52  |                 |       | 1.86            | 10061 |                 |      | 764             | 1.68  | 2.1             | 8954  |                 |       | 680             | 1.89  |                 |       | 2.5             | 7585  |                 |       | 576             | 2.2   | 3.2             | 5873  | 446             | 2.9   | 4.7             | 3964  | 301             | 4.3   | 5.2             | 3582  | 272             | 4.7   | 6.1             | 3042  | 231             | 5.6   | 7.2             | 2581  | 196             | 6.6   | 1.31            | 14288 | 1085            | 0.79  | 1.52            | 12339 | 937             | 0.91  | 1.72            | 10890 | 827             | 1.04  | 1.94            | 9652  | 733             | 1.17  | <b>F 127R77</b> |       |                 |       |                 |       | <b>F 127R77</b> |       |                 |       |                 |       |                 |       |                 |       |                 |       |                 |       |                 |       |                 |       |                 |      |                 |      |                 |      |                 |  |                 |  |                 |  |                 |  |  |  |  |  |  |  |  |  |  |  |  |  |  |  |  |  |
| 4.3             | 3147       | 215.04   | 2.3                    | 4.6             | 2917    | 199.31          | 2.5        | 5.2          | 2615                   | 178.64          | 2.8     | 3.3          | 4049 | 276.64          | 1.00  | 3.6             | 3729  | 254.79          | 1.08  | 4.1             | 3313  | 226.34       | 1.22  | 4.9             | 2759  | 188.50          | 1.47  | 5.2          | 2574  | 175.83       | 1.57  | 5.1             | 2661  | 276.64       | 1.52  | 5.5          | 2451  | 254.79          | 1.65  | 6.2          | 2177  | 226.34       | 1.86  | 7.4             | 1813  | 188.50       | 2.2   | 8.0          | 1691  | 175.83          | 2.4   | 5.2          | 2615  | 271.92       | 1.08  | 5.5             | 2452  | 254.93       | 1.15  | 6.1          | 2198  | 228.57          | 1.28  | 7.1          | 1893  | 196.85       | 1.49  | 7.8             | 1721  | 178.95       | 1.63  | 8.8          | 1535  | 159.61          | 1.84  | 10           | 1290  | 134.16       | 2.2   | 13              | 1053  | 109.49       | 2.7   | 14           | 942   | 97.89           | 3.0   | 8.4          | 1601  | 166.47       | 0.88  | 9.8             | 1368  | 142.27       | 1.03  | 11           | 1254  | 130.42          | 1.12  | 12           | 1101  | 114.45       | 1.28  | 13           | 1043  | 108.46       | 1.35  | 15           | 913   | 94.93        | 1.54  | 16           | 823   | 85.52        | 1.71  | 19           | 722   | 75.02        | 1.95  | 19              | 695   | 72.29        | 2.0   | 21              | 637   | 66.28           | 2.2   | 24              | 559   | 58.16           | 2.5   | 25              | 530   | 55.12           | 2.7   | 29              | 464   | 48.24           | 3.0   | 32              | 418   | 43.46           | 3.4   | 37              | 367   | 38.12           | 3.8   | 38              | 352   | 36.52           | 3.0   | 44              | 303   | 31.45           | 4.3   | 15              | 871   | 90.59           | 0.88  | 18              | 750   | 77.97           | 1.03  | 21              | 636   | 66.13           | 1.21  | 23              | 574   | 59.70           | 1.34  | 27              | 505   | 52.53           | 1.53  | 28              | 477   | 49.60           | 1.62  | 33              | 406   | 42.23           | 1.90  | 36              | 369   | 38.38           | 1.99  | 39              | 349   | 36.30           | 2.2   | 44              | 309   | 32.08           | 2.5   | 51              | 264   | 27.41           | 2.9   | 56              | 242   | 25.13           | 3.2   | 24              | 568   | 59.10           | 0.99  | 28              | 483   | 50.22           | 1.17  | 31              | 431   | 44.84           | 1.31  | 37              | 368   | 38.30           | 1.53  | 39              | 345   | 35.87           | 1.63  | 46              | 291   | 30.22           | 1.94  | 33              | 409   | 42.55           | 0.92  | 39              | 350   | 36.34           | 1.08  | 41              | 327   | 34.04           | 1.15  | 49              | 276   | 28.67           | 1.36  | 46              | 295   | 30.64           | 1.28  | 48              | 280   | 29.11           | 1.34  | 55              | 246   | 25.54           | 1.53  | 65              | 208   | 21.66           | 1.80  | 72              | 188   | 19.56           | 2.0   | 81              | 166   | 17.21           | 2.3   | 86              | 156   | 16.25           | 2.4   | 101             | 133   | 13.83           | 2.8   | 68              | 198   | 20.57           | 0.95  | 73              | 185   | 19.27           | 1.01  | 82              | 164   | 17.03           | 1.15  | 98              | 138   | 14.33           | 1.36  | 109             | 124   | 12.87           | 1.52  | 126             | 107   | 11.08           | 1.68  | 134             | 100   | 10.42           | 1.74  | 156             | 86    | 8.97            | 1.91  | 175             | 77    | 8.01            | 2.1   | 206             | 66    | 6.81            | 2.0   | 229             | 59    | 6.11            | 2.2   | 266             | 51    | 5.27            | 2.3   | 283             | 48    | 4.95            | 2.4   | 329             | 41    | 4.26            | 2.5   | 367             | 37    | 3.81            | 2.7   | <b>2.2kW</b>    |       |                 |       |                 |       | <b>2.2kW</b>    |       |                 |       |                 |       | 1.00            | 18699 | 1420            | 0.90  | F 157R97        | 4     | 1.00            | 18699 | 1420            | 0.90  |                 |       | 1.09            | 17224 |                 |       | 1308            | 0.98  |                 |       | 1.21            | 15394 |                 |       | 1169            | 1.10  |                 |       | 1.49            | 12549 |                 |       | 953             | 1.35  |                 |       | 1.68            | 11127 |                 |       | 845             | 1.52  |                 |       | 1.86            | 10061 |                 |       | 764             | 1.68  |                 |       | 2.1             | 8954  |                 |      | 680             | 1.89  | 2.5             | 7585  |                 |       | 576             | 2.2   |                 |       | 3.2             | 5873  |                 |       | 446             | 2.9   | 4.7             | 3964  | 301             | 4.3   | 5.2             | 3582  | 272             | 4.7   | 6.1             | 3042  | 231             | 5.6   | 7.2             | 2581  | 196             | 6.6   | 1.31            | 14288 | 1085            | 0.79  | 1.52            | 12339 | 937             | 0.91  | 1.72            | 10890 | 827             | 1.04  | 1.94            | 9652  | 733             | 1.17  | <b>F 127R77</b> |       |                 |       |                 |       | <b>F 127R77</b> |       |                 |       |                 |       |                 |       |                 |       |                 |       |                 |       |                 |       |                 |       |                 |       |                 |       |                 |      |                 |      |                 |      |                 |  |                 |  |                 |  |                 |  |  |  |  |  |  |  |  |  |  |  |  |  |  |  |  |  |
| 4.6             | 2917       | 199.31   | 2.5                    | 5.2             | 2615    | 178.64          | 2.8        | 3.3          | 4049                   | 276.64          | 1.00    | 3.6          | 3729 | 254.79          | 1.08  | 4.1             | 3313  | 226.34          | 1.22  | 4.9             | 2759  | 188.50       | 1.47  | 5.2             | 2574  | 175.83          | 1.57  | 5.1          | 2661  | 276.64       | 1.52  | 5.5             | 2451  | 254.79       | 1.65  | 6.2          | 2177  | 226.34          | 1.86  | 7.4          | 1813  | 188.50       | 2.2   | 8.0             | 1691  | 175.83       | 2.4   | 5.2          | 2615  | 271.92          | 1.08  | 5.5          | 2452  | 254.93       | 1.15  | 6.1             | 2198  | 228.57       | 1.28  | 7.1          | 1893  | 196.85          | 1.49  | 7.8          | 1721  | 178.95       | 1.63  | 8.8             | 1535  | 159.61       | 1.84  | 10           | 1290  | 134.16          | 2.2   | 13           | 1053  | 109.49       | 2.7   | 14              | 942   | 97.89        | 3.0   | 8.4          | 1601  | 166.47          | 0.88  | 9.8          | 1368  | 142.27       | 1.03  | 11              | 1254  | 130.42       | 1.12  | 12           | 1101  | 114.45          | 1.28  | 13           | 1043  | 108.46       | 1.35  | 15           | 913   | 94.93        | 1.54  | 16           | 823   | 85.52        | 1.71  | 19           | 722   | 75.02        | 1.95  | 19           | 695   | 72.29        | 2.0   | 21              | 637   | 66.28        | 2.2   | 24              | 559   | 58.16           | 2.5   | 25              | 530   | 55.12           | 2.7   | 29              | 464   | 48.24           | 3.0   | 32              | 418   | 43.46           | 3.4   | 37              | 367   | 38.12           | 3.8   | 38              | 352   | 36.52           | 3.0   | 44              | 303   | 31.45           | 4.3   | 15              | 871   | 90.59           | 0.88  | 18              | 750   | 77.97           | 1.03  | 21              | 636   | 66.13           | 1.21  | 23              | 574   | 59.70           | 1.34  | 27              | 505   | 52.53           | 1.53  | 28              | 477   | 49.60           | 1.62  | 33              | 406   | 42.23           | 1.90  | 36              | 369   | 38.38           | 1.99  | 39              | 349   | 36.30           | 2.2   | 44              | 309   | 32.08           | 2.5   | 51              | 264   | 27.41           | 2.9   | 56              | 242   | 25.13           | 3.2   | 24              | 568   | 59.10           | 0.99  | 28              | 483   | 50.22           | 1.17  | 31              | 431   | 44.84           | 1.31  | 37              | 368   | 38.30           | 1.53  | 39              | 345   | 35.87           | 1.63  | 46              | 291   | 30.22           | 1.94  | 33              | 409   | 42.55           | 0.92  | 39              | 350   | 36.34           | 1.08  | 41              | 327   | 34.04           | 1.15  | 49              | 276   | 28.67           | 1.36  | 46              | 295   | 30.64           | 1.28  | 48              | 280   | 29.11           | 1.34  | 55              | 246   | 25.54           | 1.53  | 65              | 208   | 21.66           | 1.80  | 72              | 188   | 19.56           | 2.0   | 81              | 166   | 17.21           | 2.3   | 86              | 156   | 16.25           | 2.4   | 101             | 133   | 13.83           | 2.8   | 68              | 198   | 20.57           | 0.95  | 73              | 185   | 19.27           | 1.01  | 82              | 164   | 17.03           | 1.15  | 98              | 138   | 14.33           | 1.36  | 109             | 124   | 12.87           | 1.52  | 126             | 107   | 11.08           | 1.68  | 134             | 100   | 10.42           | 1.74  | 156             | 86    | 8.97            | 1.91  | 175             | 77    | 8.01            | 2.1   | 206             | 66    | 6.81            | 2.0   | 229             | 59    | 6.11            | 2.2   | 266             | 51    | 5.27            | 2.3   | 283             | 48    | 4.95            | 2.4   | 329             | 41    | 4.26            | 2.5   | 367             | 37    | 3.81            | 2.7   | <b>2.2kW</b>    |       |                 |       |                 |       | <b>2.2kW</b>    |       |                 |       |                 |       | 1.00            | 18699 | 1420            | 0.90  | F 157R97        | 4     | 1.00            | 18699 |                 |       | 1420            | 0.90  | 1.09            | 17224 |                 |       | 1308            | 0.98  |                 |       | 1.21            | 15394 |                 |       | 1169            | 1.10  |                 |       | 1.49            | 12549 |                 |       | 953             | 1.35  |                 |       | 1.68            | 11127 |                 |       | 845             | 1.52  |                 |       | 1.86            | 10061 |                 |       | 764             | 1.68  |                 |       | 2.1             | 8954  |                 |       | 680             | 1.89  |                 |      | 2.5             | 7585  | 576             | 2.2   |                 |       | 3.2             | 5873  |                 |       | 446             | 2.9   | 4.7             | 3964  | 301             | 4.3   | 5.2             | 3582  | 272             | 4.7   | 6.1             | 3042  | 231             | 5.6   | 7.2             | 2581  | 196             | 6.6   | 1.31            | 14288 | 1085            | 0.79  | 1.52            | 12339 | 937             | 0.91  | 1.72            | 10890 | 827             | 1.04  | 1.94            | 9652  | 733             | 1.17  | <b>F 127R77</b> |       |                 |       |                 |       | <b>F 127R77</b> |       |                 |       |                 |       |                 |       |                 |       |                 |       |                 |       |                 |       |                 |       |                 |       |                 |       |                 |       |                 |       |                 |      |                 |      |                 |      |                 |  |                 |  |                 |  |                 |  |  |  |  |  |  |  |  |  |  |  |  |  |  |  |  |  |
| 5.2             | 2615       | 178.64   | 2.8                    | 3.3             | 4049    | 276.64          | 1.00       | 3.6          | 3729                   | 254.79          | 1.08    | 4.1          | 3313 | 226.34          | 1.22  | 4.9             | 2759  | 188.50          | 1.47  | 5.2             | 2574  | 175.83       | 1.57  | 5.1             | 2661  | 276.64          | 1.52  | 5.5          | 2451  | 254.79       | 1.65  | 6.2             | 2177  | 226.34       | 1.86  | 7.4          | 1813  | 188.50          | 2.2   | 8.0          | 1691  | 175.83       | 2.4   | 5.2             | 2615  | 271.92       | 1.08  | 5.5          | 2452  | 254.93          | 1.15  | 6.1          | 2198  | 228.57       | 1.28  | 7.1             | 1893  | 196.85       | 1.49  | 7.8          | 1721  | 178.95          | 1.63  | 8.8          | 1535  | 159.61       | 1.84  | 10              | 1290  | 134.16       | 2.2   | 13           | 1053  | 109.49          | 2.7   | 14           | 942   | 97.89        | 3.0   | 8.4             | 1601  | 166.47       | 0.88  | 9.8          | 1368  | 142.27          | 1.03  | 11           | 1254  | 130.42       | 1.12  | 12              | 1101  | 114.45       | 1.28  | 13           | 1043  | 108.46          | 1.35  | 15           | 913   | 94.93        | 1.54  | 16           | 823   | 85.52        | 1.71  | 19           | 722   | 75.02        | 1.95  | 19           | 695   | 72.29        | 2.0   | 21           | 637   | 66.28        | 2.2   | 24              | 559   | 58.16        | 2.5   | 25              | 530   | 55.12           | 2.7   | 29              | 464   | 48.24           | 3.0   | 32              | 418   | 43.46           | 3.4   | 37              | 367   | 38.12           | 3.8   | 38              | 352   | 36.52           | 3.0   | 44              | 303   | 31.45           | 4.3   | 15              | 871   | 90.59           | 0.88  | 18              | 750   | 77.97           | 1.03  | 21              | 636   | 66.13           | 1.21  | 23              | 574   | 59.70           | 1.34  | 27              | 505   | 52.53           | 1.53  | 28              | 477   | 49.60           | 1.62  | 33              | 406   | 42.23           | 1.90  | 36              | 369   | 38.38           | 1.99  | 39              | 349   | 36.30           | 2.2   | 44              | 309   | 32.08           | 2.5   | 51              | 264   | 27.41           | 2.9   | 56              | 242   | 25.13           | 3.2   | 24              | 568   | 59.10           | 0.99  | 28              | 483   | 50.22           | 1.17  | 31              | 431   | 44.84           | 1.31  | 37              | 368   | 38.30           | 1.53  | 39              | 345   | 35.87           | 1.63  | 46              | 291   | 30.22           | 1.94  | 33              | 409   | 42.55           | 0.92  | 39              | 350   | 36.34           | 1.08  | 41              | 327   | 34.04           | 1.15  | 49              | 276   | 28.67           | 1.36  | 46              | 295   | 30.64           | 1.28  | 48              | 280   | 29.11           | 1.34  | 55              | 246   | 25.54           | 1.53  | 65              | 208   | 21.66           | 1.80  | 72              | 188   | 19.56           | 2.0   | 81              | 166   | 17.21           | 2.3   | 86              | 156   | 16.25           | 2.4   | 101             | 133   | 13.83           | 2.8   | 68              | 198   | 20.57           | 0.95  | 73              | 185   | 19.27           | 1.01  | 82              | 164   | 17.03           | 1.15  | 98              | 138   | 14.33           | 1.36  | 109             | 124   | 12.87           | 1.52  | 126             | 107   | 11.08           | 1.68  | 134             | 100   | 10.42           | 1.74  | 156             | 86    | 8.97            | 1.91  | 175             | 77    | 8.01            | 2.1   | 206             | 66    | 6.81            | 2.0   | 229             | 59    | 6.11            | 2.2   | 266             | 51    | 5.27            | 2.3   | 283             | 48    | 4.95            | 2.4   | 329             | 41    | 4.26            | 2.5   | 367             | 37    | 3.81            | 2.7   | <b>2.2kW</b>    |       |                 |       |                 |       | <b>2.2kW</b>    |       |                 |       |                 |       | 1.00            | 18699 | 1420            | 0.90  | F 157R97        | 4     | 1.00            | 18699 |                 |       | 1420            | 0.90  |                 |       | 1.09            | 17224 | 1308            | 0.98  |                 |       | 1.21            | 15394 |                 |       | 1169            | 1.10  |                 |       | 1.49            | 12549 |                 |       | 953             | 1.35  |                 |       | 1.68            | 11127 |                 |       | 845             | 1.52  |                 |       | 1.86            | 10061 |                 |       | 764             | 1.68  |                 |       | 2.1             | 8954  |                 |       | 680             | 1.89  |                 |       | 2.5             | 7585  |                 |      | 576             | 2.2   | 3.2             | 5873  |                 |       | 446             | 2.9   | 4.7             | 3964  | 301             | 4.3   | 5.2             | 3582  | 272             | 4.7   | 6.1             | 3042  | 231             | 5.6   | 7.2             | 2581  | 196             | 6.6   | 1.31            | 14288 | 1085            | 0.79  | 1.52            | 12339 | 937             | 0.91  | 1.72            | 10890 | 827             | 1.04  | 1.94            | 9652  | 733             | 1.17  | <b>F 127R77</b> |       |                 |       |                 |       | <b>F 127R77</b> |       |                 |       |                 |       |                 |       |                 |       |                 |       |                 |       |                 |       |                 |       |                 |       |                 |       |                 |       |                 |       |                 |       |                 |       |                 |      |                 |      |                 |      |                 |  |                 |  |                 |  |                 |  |  |  |  |  |  |  |  |  |  |  |  |  |  |  |  |  |
| 3.3             | 4049       | 276.64   | 1.00                   | 3.6             | 3729    | 254.79          | 1.08       | 4.1          | 3313                   | 226.34          | 1.22    | 4.9          | 2759 | 188.50          | 1.47  | 5.2             | 2574  | 175.83          | 1.57  | 5.1             | 2661  | 276.64       | 1.52  | 5.5             | 2451  | 254.79          | 1.65  | 6.2          | 2177  | 226.34       | 1.86  | 7.4             | 1813  | 188.50       | 2.2   | 8.0          | 1691  | 175.83          | 2.4   | 5.2          | 2615  | 271.92       | 1.08  | 5.5             | 2452  | 254.93       | 1.15  | 6.1          | 2198  | 228.57          | 1.28  | 7.1          | 1893  | 196.85       | 1.49  | 7.8             | 1721  | 178.95       | 1.63  | 8.8          | 1535  | 159.61          | 1.84  | 10           | 1290  | 134.16       | 2.2   | 13              | 1053  | 109.49       | 2.7   | 14           | 942   | 97.89           | 3.0   | 8.4          | 1601  | 166.47       | 0.88  | 9.8             | 1368  | 142.27       | 1.03  | 11           | 1254  | 130.42          | 1.12  | 12           | 1101  | 114.45       | 1.28  | 13              | 1043  | 108.46       | 1.35  | 15           | 913   | 94.93           | 1.54  | 16           | 823   | 85.52        | 1.71  | 19           | 722   | 75.02        | 1.95  | 19           | 695   | 72.29        | 2.0   | 21           | 637   | 66.28        | 2.2   | 24           | 559   | 58.16        | 2.5   | 25              | 530   | 55.12        | 2.7   | 29              | 464   | 48.24           | 3.0   | 32              | 418   | 43.46           | 3.4   | 37              | 367   | 38.12           | 3.8   | 38              | 352   | 36.52           | 3.0   | 44              | 303   | 31.45           | 4.3   | 15              | 871   | 90.59           | 0.88  | 18              | 750   | 77.97           | 1.03  | 21              | 636   | 66.13           | 1.21  | 23              | 574   | 59.70           | 1.34  | 27              | 505   | 52.53           | 1.53  | 28              | 477   | 49.60           | 1.62  | 33              | 406   | 42.23           | 1.90  | 36              | 369   | 38.38           | 1.99  | 39              | 349   | 36.30           | 2.2   | 44              | 309   | 32.08           | 2.5   | 51              | 264   | 27.41           | 2.9   | 56              | 242   | 25.13           | 3.2   | 24              | 568   | 59.10           | 0.99  | 28              | 483   | 50.22           | 1.17  | 31              | 431   | 44.84           | 1.31  | 37              | 368   | 38.30           | 1.53  | 39              | 345   | 35.87           | 1.63  | 46              | 291   | 30.22           | 1.94  | 33              | 409   | 42.55           | 0.92  | 39              | 350   | 36.34           | 1.08  | 41              | 327   | 34.04           | 1.15  | 49              | 276   | 28.67           | 1.36  | 46              | 295   | 30.64           | 1.28  | 48              | 280   | 29.11           | 1.34  | 55              | 246   | 25.54           | 1.53  | 65              | 208   | 21.66           | 1.80  | 72              | 188   | 19.56           | 2.0   | 81              | 166   | 17.21           | 2.3   | 86              | 156   | 16.25           | 2.4   | 101             | 133   | 13.83           | 2.8   | 68              | 198   | 20.57           | 0.95  | 73              | 185   | 19.27           | 1.01  | 82              | 164   | 17.03           | 1.15  | 98              | 138   | 14.33           | 1.36  | 109             | 124   | 12.87           | 1.52  | 126             | 107   | 11.08           | 1.68  | 134             | 100   | 10.42           | 1.74  | 156             | 86    | 8.97            | 1.91  | 175             | 77    | 8.01            | 2.1   | 206             | 66    | 6.81            | 2.0   | 229             | 59    | 6.11            | 2.2   | 266             | 51    | 5.27            | 2.3   | 283             | 48    | 4.95            | 2.4   | 329             | 41    | 4.26            | 2.5   | 367             | 37    | 3.81            | 2.7   | <b>2.2kW</b>    |       |                 |       |                 |       | <b>2.2kW</b>    |       |                 |       |                 |       | 1.00            | 18699 | 1420            | 0.90  | F 157R97        | 4     | 1.00            | 18699 |                 |       | 1420            | 0.90  |                 |       | 1.09            | 17224 |                 |       | 1308            | 0.98  | 1.21            | 15394 |                 |       | 1169            | 1.10  |                 |       | 1.49            | 12549 |                 |       | 953             | 1.35  |                 |       | 1.68            | 11127 |                 |       | 845             | 1.52  |                 |       | 1.86            | 10061 |                 |       | 764             | 1.68  |                 |       | 2.1             | 8954  |                 |       | 680             | 1.89  |                 |       | 2.5             | 7585  |                 |       | 576             | 2.2   |                 |      | 3.2             | 5873  | 446             | 2.9   | 4.7             | 3964  | 301             | 4.3   | 5.2             | 3582  | 272             | 4.7   | 6.1             | 3042  | 231             | 5.6   | 7.2             | 2581  | 196             | 6.6   | 1.31            | 14288 | 1085            | 0.79  | 1.52            | 12339 | 937             | 0.91  | 1.72            | 10890 | 827             | 1.04  | 1.94            | 9652  | 733             | 1.17  | <b>F 127R77</b> |       |                 |       |                 |       | <b>F 127R77</b> |       |                 |       |                 |       |                 |       |                 |       |                 |       |                 |       |                 |       |                 |       |                 |       |                 |       |                 |       |                 |       |                 |       |                 |       |                 |       |                 |       |                 |      |                 |      |                 |      |                 |  |                 |  |                 |  |                 |  |  |  |  |  |  |  |  |  |  |  |  |  |  |  |  |  |
| 3.6             | 3729       | 254.79   | 1.08                   | 4.1             | 3313    | 226.34          | 1.22       | 4.9          | 2759                   | 188.50          | 1.47    | 5.2          | 2574 | 175.83          | 1.57  | 5.1             | 2661  | 276.64          | 1.52  | 5.5             | 2451  | 254.79       | 1.65  | 6.2             | 2177  | 226.34          | 1.86  | 7.4          | 1813  | 188.50       | 2.2   | 8.0             | 1691  | 175.83       | 2.4   | 5.2          | 2615  | 271.92          | 1.08  | 5.5          | 2452  | 254.93       | 1.15  | 6.1             | 2198  | 228.57       | 1.28  | 7.1          | 1893  | 196.85          | 1.49  | 7.8          | 1721  | 178.95       | 1.63  | 8.8             | 1535  | 159.61       | 1.84  | 10           | 1290  | 134.16          | 2.2   | 13           | 1053  | 109.49       | 2.7   | 14              | 942   | 97.89        | 3.0   | 8.4          | 1601  | 166.47          | 0.88  | 9.8          | 1368  | 142.27       | 1.03  | 11              | 1254  | 130.42       | 1.12  | 12           | 1101  | 114.45          | 1.28  | 13           | 1043  | 108.46       | 1.35  | 15              | 913   | 94.93        | 1.54  | 16           | 823   | 85.52           | 1.71  | 19           | 722   | 75.02        | 1.95  | 19           | 695   | 72.29        | 2.0   | 21           | 637   | 66.28        | 2.2   | 24           | 559   | 58.16        | 2.5   | 25           | 530   | 55.12        | 2.7   | 29              | 464   | 48.24        | 3.0   | 32              | 418   | 43.46           | 3.4   | 37              | 367   | 38.12           | 3.8   | 38              | 352   | 36.52           | 3.0   | 44              | 303   | 31.45           | 4.3   | 15              | 871   | 90.59           | 0.88  | 18              | 750   | 77.97           | 1.03  | 21              | 636   | 66.13           | 1.21  | 23              | 574   | 59.70           | 1.34  | 27              | 505   | 52.53           | 1.53  | 28              | 477   | 49.60           | 1.62  | 33              | 406   | 42.23           | 1.90  | 36              | 369   | 38.38           | 1.99  | 39              | 349   | 36.30           | 2.2   | 44              | 309   | 32.08           | 2.5   | 51              | 264   | 27.41           | 2.9   | 56              | 242   | 25.13           | 3.2   | 24              | 568   | 59.10           | 0.99  | 28              | 483   | 50.22           | 1.17  | 31              | 431   | 44.84           | 1.31  | 37              | 368   | 38.30           | 1.53  | 39              | 345   | 35.87           | 1.63  | 46              | 291   | 30.22           | 1.94  | 33              | 409   | 42.55           | 0.92  | 39              | 350   | 36.34           | 1.08  | 41              | 327   | 34.04           | 1.15  | 49              | 276   | 28.67           | 1.36  | 46              | 295   | 30.64           | 1.28  | 48              | 280   | 29.11           | 1.34  | 55              | 246   | 25.54           | 1.53  | 65              | 208   | 21.66           | 1.80  | 72              | 188   | 19.56           | 2.0   | 81              | 166   | 17.21           | 2.3   | 86              | 156   | 16.25           | 2.4   | 101             | 133   | 13.83           | 2.8   | 68              | 198   | 20.57           | 0.95  | 73              | 185   | 19.27           | 1.01  | 82              | 164   | 17.03           | 1.15  | 98              | 138   | 14.33           | 1.36  | 109             | 124   | 12.87           | 1.52  | 126             | 107   | 11.08           | 1.68  | 134             | 100   | 10.42           | 1.74  | 156             | 86    | 8.97            | 1.91  | 175             | 77    | 8.01            | 2.1   | 206             | 66    | 6.81            | 2.0   | 229             | 59    | 6.11            | 2.2   | 266             | 51    | 5.27            | 2.3   | 283             | 48    | 4.95            | 2.4   | 329             | 41    | 4.26            | 2.5   | 367             | 37    | 3.81            | 2.7   | <b>2.2kW</b>    |       |                 |       |                 |       | <b>2.2kW</b>    |       |                 |       |                 |       | 1.00            | 18699 | 1420            | 0.90  | F 157R97        | 4     | 1.00            | 18699 |                 |       | 1420            | 0.90  |                 |       | 1.09            | 17224 |                 |       | 1308            | 0.98  |                 |       | 1.21            | 15394 | 1169            | 1.10  |                 |       | 1.49            | 12549 |                 |       | 953             | 1.35  |                 |       | 1.68            | 11127 |                 |       | 845             | 1.52  |                 |       | 1.86            | 10061 |                 |       | 764             | 1.68  |                 |       | 2.1             | 8954  |                 |       | 680             | 1.89  |                 |       | 2.5             | 7585  |                 |       | 576             | 2.2   |                 |       | 3.2             | 5873  | 446             | 2.9  | 4.7             | 3964  | 301             | 4.3   | 5.2             | 3582  | 272             | 4.7   | 6.1             | 3042  | 231             | 5.6   | 7.2             | 2581  | 196             | 6.6   | 1.31            | 14288 | 1085            | 0.79  | 1.52            | 12339 | 937             | 0.91  | 1.72            | 10890 | 827             | 1.04  | 1.94            | 9652  | 733             | 1.17  | <b>F 127R77</b> |       |                 |       |                 |       | <b>F 127R77</b> |       |                 |       |                 |       |                 |       |                 |       |                 |       |                 |       |                 |       |                 |       |                 |       |                 |       |                 |       |                 |       |                 |       |                 |       |                 |       |                 |       |                 |       |                 |       |                 |      |                 |      |                 |      |                 |  |                 |  |                 |  |                 |  |  |  |  |  |  |  |  |  |  |  |  |  |  |  |  |  |
| 4.1             | 3313       | 226.34   | 1.22                   | 4.9             | 2759    | 188.50          | 1.47       | 5.2          | 2574                   | 175.83          | 1.57    | 5.1          | 2661 | 276.64          | 1.52  | 5.5             | 2451  | 254.79          | 1.65  | 6.2             | 2177  | 226.34       | 1.86  | 7.4             | 1813  | 188.50          | 2.2   | 8.0          | 1691  | 175.83       | 2.4   | 5.2             | 2615  | 271.92       | 1.08  | 5.5          | 2452  | 254.93          | 1.15  | 6.1          | 2198  | 228.57       | 1.28  | 7.1             | 1893  | 196.85       | 1.49  | 7.8          | 1721  | 178.95          | 1.63  | 8.8          | 1535  | 159.61       | 1.84  | 10              | 1290  | 134.16       | 2.2   | 13           | 1053  | 109.49          | 2.7   | 14           | 942   | 97.89        | 3.0   | 8.4             | 1601  | 166.47       | 0.88  | 9.8          | 1368  | 142.27          | 1.03  | 11           | 1254  | 130.42       | 1.12  | 12              | 1101  | 114.45       | 1.28  | 13           | 1043  | 108.46          | 1.35  | 15           | 913   | 94.93        | 1.54  | 16              | 823   | 85.52        | 1.71  | 19           | 722   | 75.02           | 1.95  | 19           | 695   | 72.29        | 2.0   | 21           | 637   | 66.28        | 2.2   | 24           | 559   | 58.16        | 2.5   | 25           | 530   | 55.12        | 2.7   | 29           | 464   | 48.24        | 3.0   | 32              | 418   | 43.46        | 3.4   | 37              | 367   | 38.12           | 3.8   | 38              | 352   | 36.52           | 3.0   | 44              | 303   | 31.45           | 4.3   | 15              | 871   | 90.59           | 0.88  | 18              | 750   | 77.97           | 1.03  | 21              | 636   | 66.13           | 1.21  | 23              | 574   | 59.70           | 1.34  | 27              | 505   | 52.53           | 1.53  | 28              | 477   | 49.60           | 1.62  | 33              | 406   | 42.23           | 1.90  | 36              | 369   | 38.38           | 1.99  | 39              | 349   | 36.30           | 2.2   | 44              | 309   | 32.08           | 2.5   | 51              | 264   | 27.41           | 2.9   | 56              | 242   | 25.13           | 3.2   | 24              | 568   | 59.10           | 0.99  | 28              | 483   | 50.22           | 1.17  | 31              | 431   | 44.84           | 1.31  | 37              | 368   | 38.30           | 1.53  | 39              | 345   | 35.87           | 1.63  | 46              | 291   | 30.22           | 1.94  | 33              | 409   | 42.55           | 0.92  | 39              | 350   | 36.34           | 1.08  | 41              | 327   | 34.04           | 1.15  | 49              | 276   | 28.67           | 1.36  | 46              | 295   | 30.64           | 1.28  | 48              | 280   | 29.11           | 1.34  | 55              | 246   | 25.54           | 1.53  | 65              | 208   | 21.66           | 1.80  | 72              | 188   | 19.56           | 2.0   | 81              | 166   | 17.21           | 2.3   | 86              | 156   | 16.25           | 2.4   | 101             | 133   | 13.83           | 2.8   | 68              | 198   | 20.57           | 0.95  | 73              | 185   | 19.27           | 1.01  | 82              | 164   | 17.03           | 1.15  | 98              | 138   | 14.33           | 1.36  | 109             | 124   | 12.87           | 1.52  | 126             | 107   | 11.08           | 1.68  | 134             | 100   | 10.42           | 1.74  | 156             | 86    | 8.97            | 1.91  | 175             | 77    | 8.01            | 2.1   | 206             | 66    | 6.81            | 2.0   | 229             | 59    | 6.11            | 2.2   | 266             | 51    | 5.27            | 2.3   | 283             | 48    | 4.95            | 2.4   | 329             | 41    | 4.26            | 2.5   | 367             | 37    | 3.81            | 2.7   | <b>2.2kW</b>    |       |                 |       |                 |       | <b>2.2kW</b>    |       |                 |       |                 |       | 1.00            | 18699 | 1420            | 0.90  | F 157R97        | 4     | 1.00            | 18699 |                 |       | 1420            | 0.90  |                 |       | 1.09            | 17224 |                 |       | 1308            | 0.98  |                 |       | 1.21            | 15394 |                 |       | 1169            | 1.10  | 1.49            | 12549 |                 |       | 953             | 1.35  |                 |       | 1.68            | 11127 |                 |       | 845             | 1.52  |                 |       | 1.86            | 10061 |                 |       | 764             | 1.68  |                 |       | 2.1             | 8954  |                 |       | 680             | 1.89  |                 |       | 2.5             | 7585  |                 |       | 576             | 2.2   |                 |       | 3.2             | 5873  | 446             | 2.9   | 4.7             | 3964  | 301             | 4.3  | 5.2             | 3582  | 272             | 4.7   | 6.1             | 3042  | 231             | 5.6   | 7.2             | 2581  | 196             | 6.6   | 1.31            | 14288 | 1085            | 0.79  | 1.52            | 12339 | 937             | 0.91  | 1.72            | 10890 | 827             | 1.04  | 1.94            | 9652  | 733             | 1.17  | <b>F 127R77</b> |       |                 |       |                 |       | <b>F 127R77</b> |       |                 |       |                 |       |                 |       |                 |       |                 |       |                 |       |                 |       |                 |       |                 |       |                 |       |                 |       |                 |       |                 |       |                 |       |                 |       |                 |       |                 |       |                 |       |                 |       |                 |       |                 |      |                 |      |                 |      |                 |  |                 |  |                 |  |                 |  |  |  |  |  |  |  |  |  |  |  |  |  |  |  |  |  |
| 4.9             | 2759       | 188.50   | 1.47                   | 5.2             | 2574    | 175.83          | 1.57       | 5.1          | 2661                   | 276.64          | 1.52    | 5.5          | 2451 | 254.79          | 1.65  | 6.2             | 2177  | 226.34          | 1.86  | 7.4             | 1813  | 188.50       | 2.2   | 8.0             | 1691  | 175.83          | 2.4   | 5.2          | 2615  | 271.92       | 1.08  | 5.5             | 2452  | 254.93       | 1.15  | 6.1          | 2198  | 228.57          | 1.28  | 7.1          | 1893  | 196.85       | 1.49  | 7.8             | 1721  | 178.95       | 1.63  | 8.8          | 1535  | 159.61          | 1.84  | 10           | 1290  | 134.16       | 2.2   | 13              | 1053  | 109.49       | 2.7   | 14           | 942   | 97.89           | 3.0   | 8.4          | 1601  | 166.47       | 0.88  | 9.8             | 1368  | 142.27       | 1.03  | 11           | 1254  | 130.42          | 1.12  | 12           | 1101  | 114.45       | 1.28  | 13              | 1043  | 108.46       | 1.35  | 15           | 913   | 94.93           | 1.54  | 16           | 823   | 85.52        | 1.71  | 19              | 722   | 75.02        | 1.95  | 19           | 695   | 72.29           | 2.0   | 21           | 637   | 66.28        | 2.2   | 24           | 559   | 58.16        | 2.5   | 25           | 530   | 55.12        | 2.7   | 29           | 464   | 48.24        | 3.0   | 32           | 418   | 43.46        | 3.4   | 37              | 367   | 38.12        | 3.8   | 38              | 352   | 36.52           | 3.0   | 44              | 303   | 31.45           | 4.3   | 15              | 871   | 90.59           | 0.88  | 18              | 750   | 77.97           | 1.03  | 21              | 636   | 66.13           | 1.21  | 23              | 574   | 59.70           | 1.34  | 27              | 505   | 52.53           | 1.53  | 28              | 477   | 49.60           | 1.62  | 33              | 406   | 42.23           | 1.90  | 36              | 369   | 38.38           | 1.99  | 39              | 349   | 36.30           | 2.2   | 44              | 309   | 32.08           | 2.5   | 51              | 264   | 27.41           | 2.9   | 56              | 242   | 25.13           | 3.2   | 24              | 568   | 59.10           | 0.99  | 28              | 483   | 50.22           | 1.17  | 31              | 431   | 44.84           | 1.31  | 37              | 368   | 38.30           | 1.53  | 39              | 345   | 35.87           | 1.63  | 46              | 291   | 30.22           | 1.94  | 33              | 409   | 42.55           | 0.92  | 39              | 350   | 36.34           | 1.08  | 41              | 327   | 34.04           | 1.15  | 49              | 276   | 28.67           | 1.36  | 46              | 295   | 30.64           | 1.28  | 48              | 280   | 29.11           | 1.34  | 55              | 246   | 25.54           | 1.53  | 65              | 208   | 21.66           | 1.80  | 72              | 188   | 19.56           | 2.0   | 81              | 166   | 17.21           | 2.3   | 86              | 156   | 16.25           | 2.4   | 101             | 133   | 13.83           | 2.8   | 68              | 198   | 20.57           | 0.95  | 73              | 185   | 19.27           | 1.01  | 82              | 164   | 17.03           | 1.15  | 98              | 138   | 14.33           | 1.36  | 109             | 124   | 12.87           | 1.52  | 126             | 107   | 11.08           | 1.68  | 134             | 100   | 10.42           | 1.74  | 156             | 86    | 8.97            | 1.91  | 175             | 77    | 8.01            | 2.1   | 206             | 66    | 6.81            | 2.0   | 229             | 59    | 6.11            | 2.2   | 266             | 51    | 5.27            | 2.3   | 283             | 48    | 4.95            | 2.4   | 329             | 41    | 4.26            | 2.5   | 367             | 37    | 3.81            | 2.7   | <b>2.2kW</b>    |       |                 |       |                 |       | <b>2.2kW</b>    |       |                 |       |                 |       | 1.00            | 18699 | 1420            | 0.90  | F 157R97        | 4     | 1.00            | 18699 |                 |       | 1420            | 0.90  |                 |       | 1.09            | 17224 |                 |       | 1308            | 0.98  |                 |       | 1.21            | 15394 |                 |       | 1169            | 1.10  |                 |       | 1.49            | 12549 | 953             | 1.35  |                 |       | 1.68            | 11127 |                 |       | 845             | 1.52  |                 |       | 1.86            | 10061 |                 |       | 764             | 1.68  |                 |       | 2.1             | 8954  |                 |       | 680             | 1.89  |                 |       | 2.5             | 7585  |                 |       | 576             | 2.2   |                 |       | 3.2             | 5873  | 446             | 2.9   | 4.7             | 3964  | 301             | 4.3   | 5.2             | 3582  | 272             | 4.7  | 6.1             | 3042  | 231             | 5.6   | 7.2             | 2581  | 196             | 6.6   | 1.31            | 14288 | 1085            | 0.79  | 1.52            | 12339 | 937             | 0.91  | 1.72            | 10890 | 827             | 1.04  | 1.94            | 9652  | 733             | 1.17  | <b>F 127R77</b> |       |                 |       |                 |       | <b>F 127R77</b> |       |                 |       |                 |       |                 |       |                 |       |                 |       |                 |       |                 |       |                 |       |                 |       |                 |       |                 |       |                 |       |                 |       |                 |       |                 |       |                 |       |                 |       |                 |       |                 |       |                 |       |                 |       |                 |       |                 |      |                 |      |                 |      |                 |  |                 |  |                 |  |                 |  |  |  |  |  |  |  |  |  |  |  |  |  |  |  |  |  |
| 5.2             | 2574       | 175.83   | 1.57                   | 5.1             | 2661    | 276.64          | 1.52       | 5.5          | 2451                   | 254.79          | 1.65    | 6.2          | 2177 | 226.34          | 1.86  | 7.4             | 1813  | 188.50          | 2.2   | 8.0             | 1691  | 175.83       | 2.4   | 5.2             | 2615  | 271.92          | 1.08  | 5.5          | 2452  | 254.93       | 1.15  | 6.1             | 2198  | 228.57       | 1.28  | 7.1          | 1893  | 196.85          | 1.49  | 7.8          | 1721  | 178.95       | 1.63  | 8.8             | 1535  | 159.61       | 1.84  | 10           | 1290  | 134.16          | 2.2   | 13           | 1053  | 109.49       | 2.7   | 14              | 942   | 97.89        | 3.0   | 8.4          | 1601  | 166.47          | 0.88  | 9.8          | 1368  | 142.27       | 1.03  | 11              | 1254  | 130.42       | 1.12  | 12           | 1101  | 114.45          | 1.28  | 13           | 1043  | 108.46       | 1.35  | 15              | 913   | 94.93        | 1.54  | 16           | 823   | 85.52           | 1.71  | 19           | 722   | 75.02        | 1.95  | 19              | 695   | 72.29        | 2.0   | 21           | 637   | 66.28           | 2.2   | 24           | 559   | 58.16        | 2.5   | 25           | 530   | 55.12        | 2.7   | 29           | 464   | 48.24        | 3.0   | 32           | 418   | 43.46        | 3.4   | 37           | 367   | 38.12        | 3.8   | 38              | 352   | 36.52        | 3.0   | 44              | 303   | 31.45           | 4.3   | 15              | 871   | 90.59           | 0.88  | 18              | 750   | 77.97           | 1.03  | 21              | 636   | 66.13           | 1.21  | 23              | 574   | 59.70           | 1.34  | 27              | 505   | 52.53           | 1.53  | 28              | 477   | 49.60           | 1.62  | 33              | 406   | 42.23           | 1.90  | 36              | 369   | 38.38           | 1.99  | 39              | 349   | 36.30           | 2.2   | 44              | 309   | 32.08           | 2.5   | 51              | 264   | 27.41           | 2.9   | 56              | 242   | 25.13           | 3.2   | 24              | 568   | 59.10           | 0.99  | 28              | 483   | 50.22           | 1.17  | 31              | 431   | 44.84           | 1.31  | 37              | 368   | 38.30           | 1.53  | 39              | 345   | 35.87           | 1.63  | 46              | 291   | 30.22           | 1.94  | 33              | 409   | 42.55           | 0.92  | 39              | 350   | 36.34           | 1.08  | 41              | 327   | 34.04           | 1.15  | 49              | 276   | 28.67           | 1.36  | 46              | 295   | 30.64           | 1.28  | 48              | 280   | 29.11           | 1.34  | 55              | 246   | 25.54           | 1.53  | 65              | 208   | 21.66           | 1.80  | 72              | 188   | 19.56           | 2.0   | 81              | 166   | 17.21           | 2.3   | 86              | 156   | 16.25           | 2.4   | 101             | 133   | 13.83           | 2.8   | 68              | 198   | 20.57           | 0.95  | 73              | 185   | 19.27           | 1.01  | 82              | 164   | 17.03           | 1.15  | 98              | 138   | 14.33           | 1.36  | 109             | 124   | 12.87           | 1.52  | 126             | 107   | 11.08           | 1.68  | 134             | 100   | 10.42           | 1.74  | 156             | 86    | 8.97            | 1.91  | 175             | 77    | 8.01            | 2.1   | 206             | 66    | 6.81            | 2.0   | 229             | 59    | 6.11            | 2.2   | 266             | 51    | 5.27            | 2.3   | 283             | 48    | 4.95            | 2.4   | 329             | 41    | 4.26            | 2.5   | 367             | 37    | 3.81            | 2.7   | <b>2.2kW</b>    |       |                 |       |                 |       | <b>2.2kW</b>    |       |                 |       |                 |       | 1.00            | 18699 | 1420            | 0.90  | F 157R97        | 4     | 1.00            | 18699 |                 |       | 1420            | 0.90  |                 |       | 1.09            | 17224 |                 |       | 1308            | 0.98  |                 |       | 1.21            | 15394 |                 |       | 1169            | 1.10  |                 |       | 1.49            | 12549 |                 |       | 953             | 1.35  | 1.68            | 11127 |                 |       | 845             | 1.52  |                 |       | 1.86            | 10061 |                 |       | 764             | 1.68  |                 |       | 2.1             | 8954  |                 |       | 680             | 1.89  |                 |       | 2.5             | 7585  |                 |       | 576             | 2.2   |                 |       | 3.2             | 5873  | 446             | 2.9   | 4.7             | 3964  | 301             | 4.3   | 5.2             | 3582  | 272             | 4.7   | 6.1             | 3042  | 231             | 5.6  | 7.2             | 2581  | 196             | 6.6   | 1.31            | 14288 | 1085            | 0.79  | 1.52            | 12339 | 937             | 0.91  | 1.72            | 10890 | 827             | 1.04  | 1.94            | 9652  | 733             | 1.17  | <b>F 127R77</b> |       |                 |       |                 |       | <b>F 127R77</b> |       |                 |       |                 |       |                 |       |                 |       |                 |       |                 |       |                 |       |                 |       |                 |       |                 |       |                 |       |                 |       |                 |       |                 |       |                 |       |                 |       |                 |       |                 |       |                 |       |                 |       |                 |       |                 |       |                 |       |                 |       |                 |      |                 |      |                 |      |                 |  |                 |  |                 |  |                 |  |  |  |  |  |  |  |  |  |  |  |  |  |  |  |  |  |
| 5.1             | 2661       | 276.64   | 1.52                   | 5.5             | 2451    | 254.79          | 1.65       | 6.2          | 2177                   | 226.34          | 1.86    | 7.4          | 1813 | 188.50          | 2.2   | 8.0             | 1691  | 175.83          | 2.4   | 5.2             | 2615  | 271.92       | 1.08  | 5.5             | 2452  | 254.93          | 1.15  | 6.1          | 2198  | 228.57       | 1.28  | 7.1             | 1893  | 196.85       | 1.49  | 7.8          | 1721  | 178.95          | 1.63  | 8.8          | 1535  | 159.61       | 1.84  | 10              | 1290  | 134.16       | 2.2   | 13           | 1053  | 109.49          | 2.7   | 14           | 942   | 97.89        | 3.0   | 8.4             | 1601  | 166.47       | 0.88  | 9.8          | 1368  | 142.27          | 1.03  | 11           | 1254  | 130.42       | 1.12  | 12              | 1101  | 114.45       | 1.28  | 13           | 1043  | 108.46          | 1.35  | 15           | 913   | 94.93        | 1.54  | 16              | 823   | 85.52        | 1.71  | 19           | 722   | 75.02           | 1.95  | 19           | 695   | 72.29        | 2.0   | 21              | 637   | 66.28        | 2.2   | 24           | 559   | 58.16           | 2.5   | 25           | 530   | 55.12        | 2.7   | 29           | 464   | 48.24        | 3.0   | 32           | 418   | 43.46        | 3.4   | 37           | 367   | 38.12        | 3.8   | 38           | 352   | 36.52        | 3.0   | 44              | 303   | 31.45        | 4.3   | 15              | 871   | 90.59           | 0.88  | 18              | 750   | 77.97           | 1.03  | 21              | 636   | 66.13           | 1.21  | 23              | 574   | 59.70           | 1.34  | 27              | 505   | 52.53           | 1.53  | 28              | 477   | 49.60           | 1.62  | 33              | 406   | 42.23           | 1.90  | 36              | 369   | 38.38           | 1.99  | 39              | 349   | 36.30           | 2.2   | 44              | 309   | 32.08           | 2.5   | 51              | 264   | 27.41           | 2.9   | 56              | 242   | 25.13           | 3.2   | 24              | 568   | 59.10           | 0.99  | 28              | 483   | 50.22           | 1.17  | 31              | 431   | 44.84           | 1.31  | 37              | 368   | 38.30           | 1.53  | 39              | 345   | 35.87           | 1.63  | 46              | 291   | 30.22           | 1.94  | 33              | 409   | 42.55           | 0.92  | 39              | 350   | 36.34           | 1.08  | 41              | 327   | 34.04           | 1.15  | 49              | 276   | 28.67           | 1.36  | 46              | 295   | 30.64           | 1.28  | 48              | 280   | 29.11           | 1.34  | 55              | 246   | 25.54           | 1.53  | 65              | 208   | 21.66           | 1.80  | 72              | 188   | 19.56           | 2.0   | 81              | 166   | 17.21           | 2.3   | 86              | 156   | 16.25           | 2.4   | 101             | 133   | 13.83           | 2.8   | 68              | 198   | 20.57           | 0.95  | 73              | 185   | 19.27           | 1.01  | 82              | 164   | 17.03           | 1.15  | 98              | 138   | 14.33           | 1.36  | 109             | 124   | 12.87           | 1.52  | 126             | 107   | 11.08           | 1.68  | 134             | 100   | 10.42           | 1.74  | 156             | 86    | 8.97            | 1.91  | 175             | 77    | 8.01            | 2.1   | 206             | 66    | 6.81            | 2.0   | 229             | 59    | 6.11            | 2.2   | 266             | 51    | 5.27            | 2.3   | 283             | 48    | 4.95            | 2.4   | 329             | 41    | 4.26            | 2.5   | 367             | 37    | 3.81            | 2.7   | <b>2.2kW</b>    |       |                 |       |                 |       | <b>2.2kW</b>    |       |                 |       |                 |       | 1.00            | 18699 | 1420            | 0.90  | F 157R97        | 4     | 1.00            | 18699 |                 |       | 1420            | 0.90  |                 |       | 1.09            | 17224 |                 |       | 1308            | 0.98  |                 |       | 1.21            | 15394 |                 |       | 1169            | 1.10  |                 |       | 1.49            | 12549 |                 |       | 953             | 1.35  |                 |       | 1.68            | 11127 | 845             | 1.52  |                 |       | 1.86            | 10061 |                 |       | 764             | 1.68  |                 |       | 2.1             | 8954  |                 |       | 680             | 1.89  |                 |       | 2.5             | 7585  |                 |       | 576             | 2.2   |                 |       | 3.2             | 5873  | 446             | 2.9   | 4.7             | 3964  | 301             | 4.3   | 5.2             | 3582  | 272             | 4.7   | 6.1             | 3042  | 231             | 5.6   | 7.2             | 2581  | 196             | 6.6  | 1.31            | 14288 | 1085            | 0.79  | 1.52            | 12339 | 937             | 0.91  | 1.72            | 10890 | 827             | 1.04  | 1.94            | 9652  | 733             | 1.17  | <b>F 127R77</b> |       |                 |       |                 |       | <b>F 127R77</b> |       |                 |       |                 |       |                 |       |                 |       |                 |       |                 |       |                 |       |                 |       |                 |       |                 |       |                 |       |                 |       |                 |       |                 |       |                 |       |                 |       |                 |       |                 |       |                 |       |                 |       |                 |       |                 |       |                 |       |                 |       |                 |       |                 |       |                 |      |                 |      |                 |      |                 |  |                 |  |                 |  |                 |  |  |  |  |  |  |  |  |  |  |  |  |  |  |  |  |  |
| 5.5             | 2451       | 254.79   | 1.65                   | 6.2             | 2177    | 226.34          | 1.86       | 7.4          | 1813                   | 188.50          | 2.2     | 8.0          | 1691 | 175.83          | 2.4   | 5.2             | 2615  | 271.92          | 1.08  | 5.5             | 2452  | 254.93       | 1.15  | 6.1             | 2198  | 228.57          | 1.28  | 7.1          | 1893  | 196.85       | 1.49  | 7.8             | 1721  | 178.95       | 1.63  | 8.8          | 1535  | 159.61          | 1.84  | 10           | 1290  | 134.16       | 2.2   | 13              | 1053  | 109.49       | 2.7   | 14           | 942   | 97.89           | 3.0   | 8.4          | 1601  | 166.47       | 0.88  | 9.8             | 1368  | 142.27       | 1.03  | 11           | 1254  | 130.42          | 1.12  | 12           | 1101  | 114.45       | 1.28  | 13              | 1043  | 108.46       | 1.35  | 15           | 913   | 94.93           | 1.54  | 16           | 823   | 85.52        | 1.71  | 19              | 722   | 75.02        | 1.95  | 19           | 695   | 72.29           | 2.0   | 21           | 637   | 66.28        | 2.2   | 24              | 559   | 58.16        | 2.5   | 25           | 530   | 55.12           | 2.7   | 29           | 464   | 48.24        | 3.0   | 32           | 418   | 43.46        | 3.4   | 37           | 367   | 38.12        | 3.8   | 38           | 352   | 36.52        | 3.0   | 44           | 303   | 31.45        | 4.3   | 15              | 871   | 90.59        | 0.88  | 18              | 750   | 77.97           | 1.03  | 21              | 636   | 66.13           | 1.21  | 23              | 574   | 59.70           | 1.34  | 27              | 505   | 52.53           | 1.53  | 28              | 477   | 49.60           | 1.62  | 33              | 406   | 42.23           | 1.90  | 36              | 369   | 38.38           | 1.99  | 39              | 349   | 36.30           | 2.2   | 44              | 309   | 32.08           | 2.5   | 51              | 264   | 27.41           | 2.9   | 56              | 242   | 25.13           | 3.2   | 24              | 568   | 59.10           | 0.99  | 28              | 483   | 50.22           | 1.17  | 31              | 431   | 44.84           | 1.31  | 37              | 368   | 38.30           | 1.53  | 39              | 345   | 35.87           | 1.63  | 46              | 291   | 30.22           | 1.94  | 33              | 409   | 42.55           | 0.92  | 39              | 350   | 36.34           | 1.08  | 41              | 327   | 34.04           | 1.15  | 49              | 276   | 28.67           | 1.36  | 46              | 295   | 30.64           | 1.28  | 48              | 280   | 29.11           | 1.34  | 55              | 246   | 25.54           | 1.53  | 65              | 208   | 21.66           | 1.80  | 72              | 188   | 19.56           | 2.0   | 81              | 166   | 17.21           | 2.3   | 86              | 156   | 16.25           | 2.4   | 101             | 133   | 13.83           | 2.8   | 68              | 198   | 20.57           | 0.95  | 73              | 185   | 19.27           | 1.01  | 82              | 164   | 17.03           | 1.15  | 98              | 138   | 14.33           | 1.36  | 109             | 124   | 12.87           | 1.52  | 126             | 107   | 11.08           | 1.68  | 134             | 100   | 10.42           | 1.74  | 156             | 86    | 8.97            | 1.91  | 175             | 77    | 8.01            | 2.1   | 206             | 66    | 6.81            | 2.0   | 229             | 59    | 6.11            | 2.2   | 266             | 51    | 5.27            | 2.3   | 283             | 48    | 4.95            | 2.4   | 329             | 41    | 4.26            | 2.5   | 367             | 37    | 3.81            | 2.7   | <b>2.2kW</b>    |       |                 |       |                 |       | <b>2.2kW</b>    |       |                 |       |                 |       | 1.00            | 18699 | 1420            | 0.90  | F 157R97        | 4     | 1.00            | 18699 |                 |       | 1420            | 0.90  |                 |       | 1.09            | 17224 |                 |       | 1308            | 0.98  |                 |       | 1.21            | 15394 |                 |       | 1169            | 1.10  |                 |       | 1.49            | 12549 |                 |       | 953             | 1.35  |                 |       | 1.68            | 11127 |                 |       | 845             | 1.52  | 1.86            | 10061 |                 |       | 764             | 1.68  |                 |       | 2.1             | 8954  |                 |       | 680             | 1.89  |                 |       | 2.5             | 7585  |                 |       | 576             | 2.2   |                 |       | 3.2             | 5873  | 446             | 2.9   | 4.7             | 3964  | 301             | 4.3   | 5.2             | 3582  | 272             | 4.7   | 6.1             | 3042  | 231             | 5.6   | 7.2             | 2581  | 196             | 6.6   | 1.31            | 14288 | 1085            | 0.79 | 1.52            | 12339 | 937             | 0.91  | 1.72            | 10890 | 827             | 1.04  | 1.94            | 9652  | 733             | 1.17  | <b>F 127R77</b> |       |                 |       |                 |       | <b>F 127R77</b> |       |                 |       |                 |       |                 |       |                 |       |                 |       |                 |       |                 |       |                 |       |                 |       |                 |       |                 |       |                 |       |                 |       |                 |       |                 |       |                 |       |                 |       |                 |       |                 |       |                 |       |                 |       |                 |       |                 |       |                 |       |                 |       |                 |       |                 |       |                 |       |                 |      |                 |      |                 |      |                 |  |                 |  |                 |  |                 |  |  |  |  |  |  |  |  |  |  |  |  |  |  |  |  |  |
| 6.2             | 2177       | 226.34   | 1.86                   | 7.4             | 1813    | 188.50          | 2.2        | 8.0          | 1691                   | 175.83          | 2.4     | 5.2          | 2615 | 271.92          | 1.08  | 5.5             | 2452  | 254.93          | 1.15  | 6.1             | 2198  | 228.57       | 1.28  | 7.1             | 1893  | 196.85          | 1.49  | 7.8          | 1721  | 178.95       | 1.63  | 8.8             | 1535  | 159.61       | 1.84  | 10           | 1290  | 134.16          | 2.2   | 13           | 1053  | 109.49       | 2.7   | 14              | 942   | 97.89        | 3.0   | 8.4          | 1601  | 166.47          | 0.88  | 9.8          | 1368  | 142.27       | 1.03  | 11              | 1254  | 130.42       | 1.12  | 12           | 1101  | 114.45          | 1.28  | 13           | 1043  | 108.46       | 1.35  | 15              | 913   | 94.93        | 1.54  | 16           | 823   | 85.52           | 1.71  | 19           | 722   | 75.02        | 1.95  | 19              | 695   | 72.29        | 2.0   | 21           | 637   | 66.28           | 2.2   | 24           | 559   | 58.16        | 2.5   | 25              | 530   | 55.12        | 2.7   | 29           | 464   | 48.24           | 3.0   | 32           | 418   | 43.46        | 3.4   | 37           | 367   | 38.12        | 3.8   | 38           | 352   | 36.52        | 3.0   | 44           | 303   | 31.45        | 4.3   | 15           | 871   | 90.59        | 0.88  | 18              | 750   | 77.97        | 1.03  | 21              | 636   | 66.13           | 1.21  | 23              | 574   | 59.70           | 1.34  | 27              | 505   | 52.53           | 1.53  | 28              | 477   | 49.60           | 1.62  | 33              | 406   | 42.23           | 1.90  | 36              | 369   | 38.38           | 1.99  | 39              | 349   | 36.30           | 2.2   | 44              | 309   | 32.08           | 2.5   | 51              | 264   | 27.41           | 2.9   | 56              | 242   | 25.13           | 3.2   | 24              | 568   | 59.10           | 0.99  | 28              | 483   | 50.22           | 1.17  | 31              | 431   | 44.84           | 1.31  | 37              | 368   | 38.30           | 1.53  | 39              | 345   | 35.87           | 1.63  | 46              | 291   | 30.22           | 1.94  | 33              | 409   | 42.55           | 0.92  | 39              | 350   | 36.34           | 1.08  | 41              | 327   | 34.04           | 1.15  | 49              | 276   | 28.67           | 1.36  | 46              | 295   | 30.64           | 1.28  | 48              | 280   | 29.11           | 1.34  | 55              | 246   | 25.54           | 1.53  | 65              | 208   | 21.66           | 1.80  | 72              | 188   | 19.56           | 2.0   | 81              | 166   | 17.21           | 2.3   | 86              | 156   | 16.25           | 2.4   | 101             | 133   | 13.83           | 2.8   | 68              | 198   | 20.57           | 0.95  | 73              | 185   | 19.27           | 1.01  | 82              | 164   | 17.03           | 1.15  | 98              | 138   | 14.33           | 1.36  | 109             | 124   | 12.87           | 1.52  | 126             | 107   | 11.08           | 1.68  | 134             | 100   | 10.42           | 1.74  | 156             | 86    | 8.97            | 1.91  | 175             | 77    | 8.01            | 2.1   | 206             | 66    | 6.81            | 2.0   | 229             | 59    | 6.11            | 2.2   | 266             | 51    | 5.27            | 2.3   | 283             | 48    | 4.95            | 2.4   | 329             | 41    | 4.26            | 2.5   | 367             | 37    | 3.81            | 2.7   | <b>2.2kW</b>    |       |                 |       |                 |       | <b>2.2kW</b>    |       |                 |       |                 |       | 1.00            | 18699 | 1420            | 0.90  | F 157R97        | 4     | 1.00            | 18699 |                 |       | 1420            | 0.90  |                 |       | 1.09            | 17224 |                 |       | 1308            | 0.98  |                 |       | 1.21            | 15394 |                 |       | 1169            | 1.10  |                 |       | 1.49            | 12549 |                 |       | 953             | 1.35  |                 |       | 1.68            | 11127 |                 |       | 845             | 1.52  |                 |       | 1.86            | 10061 | 764             | 1.68  |                 |       | 2.1             | 8954  |                 |       | 680             | 1.89  |                 |       | 2.5             | 7585  |                 |       | 576             | 2.2   |                 |       | 3.2             | 5873  | 446             | 2.9   | 4.7             | 3964  | 301             | 4.3   | 5.2             | 3582  | 272             | 4.7   | 6.1             | 3042  | 231             | 5.6   | 7.2             | 2581  | 196             | 6.6   | 1.31            | 14288 | 1085            | 0.79  | 1.52            | 12339 | 937             | 0.91 | 1.72            | 10890 | 827             | 1.04  | 1.94            | 9652  | 733             | 1.17  | <b>F 127R77</b> |       |                 |       |                 |       | <b>F 127R77</b> |       |                 |       |                 |       |                 |       |                 |       |                 |       |                 |       |                 |       |                 |       |                 |       |                 |       |                 |       |                 |       |                 |       |                 |       |                 |       |                 |       |                 |       |                 |       |                 |       |                 |       |                 |       |                 |       |                 |       |                 |       |                 |       |                 |       |                 |       |                 |       |                 |       |                 |       |                 |      |                 |      |                 |      |                 |  |                 |  |                 |  |                 |  |  |  |  |  |  |  |  |  |  |  |  |  |  |  |  |  |
| 7.4             | 1813       | 188.50   | 2.2                    | 8.0             | 1691    | 175.83          | 2.4        | 5.2          | 2615                   | 271.92          | 1.08    | 5.5          | 2452 | 254.93          | 1.15  | 6.1             | 2198  | 228.57          | 1.28  | 7.1             | 1893  | 196.85       | 1.49  | 7.8             | 1721  | 178.95          | 1.63  | 8.8          | 1535  | 159.61       | 1.84  | 10              | 1290  | 134.16       | 2.2   | 13           | 1053  | 109.49          | 2.7   | 14           | 942   | 97.89        | 3.0   | 8.4             | 1601  | 166.47       | 0.88  | 9.8          | 1368  | 142.27          | 1.03  | 11           | 1254  | 130.42       | 1.12  | 12              | 1101  | 114.45       | 1.28  | 13           | 1043  | 108.46          | 1.35  | 15           | 913   | 94.93        | 1.54  | 16              | 823   | 85.52        | 1.71  | 19           | 722   | 75.02           | 1.95  | 19           | 695   | 72.29        | 2.0   | 21              | 637   | 66.28        | 2.2   | 24           | 559   | 58.16           | 2.5   | 25           | 530   | 55.12        | 2.7   | 29              | 464   | 48.24        | 3.0   | 32           | 418   | 43.46           | 3.4   | 37           | 367   | 38.12        | 3.8   | 38           | 352   | 36.52        | 3.0   | 44           | 303   | 31.45        | 4.3   | 15           | 871   | 90.59        | 0.88  | 18           | 750   | 77.97        | 1.03  | 21              | 636   | 66.13        | 1.21  | 23              | 574   | 59.70           | 1.34  | 27              | 505   | 52.53           | 1.53  | 28              | 477   | 49.60           | 1.62  | 33              | 406   | 42.23           | 1.90  | 36              | 369   | 38.38           | 1.99  | 39              | 349   | 36.30           | 2.2   | 44              | 309   | 32.08           | 2.5   | 51              | 264   | 27.41           | 2.9   | 56              | 242   | 25.13           | 3.2   | 24              | 568   | 59.10           | 0.99  | 28              | 483   | 50.22           | 1.17  | 31              | 431   | 44.84           | 1.31  | 37              | 368   | 38.30           | 1.53  | 39              | 345   | 35.87           | 1.63  | 46              | 291   | 30.22           | 1.94  | 33              | 409   | 42.55           | 0.92  | 39              | 350   | 36.34           | 1.08  | 41              | 327   | 34.04           | 1.15  | 49              | 276   | 28.67           | 1.36  | 46              | 295   | 30.64           | 1.28  | 48              | 280   | 29.11           | 1.34  | 55              | 246   | 25.54           | 1.53  | 65              | 208   | 21.66           | 1.80  | 72              | 188   | 19.56           | 2.0   | 81              | 166   | 17.21           | 2.3   | 86              | 156   | 16.25           | 2.4   | 101             | 133   | 13.83           | 2.8   | 68              | 198   | 20.57           | 0.95  | 73              | 185   | 19.27           | 1.01  | 82              | 164   | 17.03           | 1.15  | 98              | 138   | 14.33           | 1.36  | 109             | 124   | 12.87           | 1.52  | 126             | 107   | 11.08           | 1.68  | 134             | 100   | 10.42           | 1.74  | 156             | 86    | 8.97            | 1.91  | 175             | 77    | 8.01            | 2.1   | 206             | 66    | 6.81            | 2.0   | 229             | 59    | 6.11            | 2.2   | 266             | 51    | 5.27            | 2.3   | 283             | 48    | 4.95            | 2.4   | 329             | 41    | 4.26            | 2.5   | 367             | 37    | 3.81            | 2.7   | <b>2.2kW</b>    |       |                 |       |                 |       | <b>2.2kW</b>    |       |                 |       |                 |       | 1.00            | 18699 | 1420            | 0.90  | F 157R97        | 4     | 1.00            | 18699 |                 |       | 1420            | 0.90  |                 |       | 1.09            | 17224 |                 |       | 1308            | 0.98  |                 |       | 1.21            | 15394 |                 |       | 1169            | 1.10  |                 |       | 1.49            | 12549 |                 |       | 953             | 1.35  |                 |       | 1.68            | 11127 |                 |       | 845             | 1.52  |                 |       | 1.86            | 10061 |                 |       | 764             | 1.68  | 2.1             | 8954  |                 |       | 680             | 1.89  |                 |       | 2.5             | 7585  |                 |       | 576             | 2.2   |                 |       | 3.2             | 5873  | 446             | 2.9   | 4.7             | 3964  | 301             | 4.3   | 5.2             | 3582  | 272             | 4.7   | 6.1             | 3042  | 231             | 5.6   | 7.2             | 2581  | 196             | 6.6   | 1.31            | 14288 | 1085            | 0.79  | 1.52            | 12339 | 937             | 0.91  | 1.72            | 10890 | 827             | 1.04 | 1.94            | 9652  | 733             | 1.17  | <b>F 127R77</b> |       |                 |       |                 |       | <b>F 127R77</b> |       |                 |       |                 |       |                 |       |                 |       |                 |       |                 |       |                 |       |                 |       |                 |       |                 |       |                 |       |                 |       |                 |       |                 |       |                 |       |                 |       |                 |       |                 |       |                 |       |                 |       |                 |       |                 |       |                 |       |                 |       |                 |       |                 |       |                 |       |                 |       |                 |       |                 |       |                 |       |                 |       |                 |      |                 |      |                 |      |                 |  |                 |  |                 |  |                 |  |  |  |  |  |  |  |  |  |  |  |  |  |  |  |  |  |
| 8.0             | 1691       | 175.83   | 2.4                    | 5.2             | 2615    | 271.92          | 1.08       | 5.5          | 2452                   | 254.93          | 1.15    | 6.1          | 2198 | 228.57          | 1.28  | 7.1             | 1893  | 196.85          | 1.49  | 7.8             | 1721  | 178.95       | 1.63  | 8.8             | 1535  | 159.61          | 1.84  | 10           | 1290  | 134.16       | 2.2   | 13              | 1053  | 109.49       | 2.7   | 14           | 942   | 97.89           | 3.0   | 8.4          | 1601  | 166.47       | 0.88  | 9.8             | 1368  | 142.27       | 1.03  | 11           | 1254  | 130.42          | 1.12  | 12           | 1101  | 114.45       | 1.28  | 13              | 1043  | 108.46       | 1.35  | 15           | 913   | 94.93           | 1.54  | 16           | 823   | 85.52        | 1.71  | 19              | 722   | 75.02        | 1.95  | 19           | 695   | 72.29           | 2.0   | 21           | 637   | 66.28        | 2.2   | 24              | 559   | 58.16        | 2.5   | 25           | 530   | 55.12           | 2.7   | 29           | 464   | 48.24        | 3.0   | 32              | 418   | 43.46        | 3.4   | 37           | 367   | 38.12           | 3.8   | 38           | 352   | 36.52        | 3.0   | 44           | 303   | 31.45        | 4.3   | 15           | 871   | 90.59        | 0.88  | 18           | 750   | 77.97        | 1.03  | 21           | 636   | 66.13        | 1.21  | 23              | 574   | 59.70        | 1.34  | 27              | 505   | 52.53           | 1.53  | 28              | 477   | 49.60           | 1.62  | 33              | 406   | 42.23           | 1.90  | 36              | 369   | 38.38           | 1.99  | 39              | 349   | 36.30           | 2.2   | 44              | 309   | 32.08           | 2.5   | 51              | 264   | 27.41           | 2.9   | 56              | 242   | 25.13           | 3.2   | 24              | 568   | 59.10           | 0.99  | 28              | 483   | 50.22           | 1.17  | 31              | 431   | 44.84           | 1.31  | 37              | 368   | 38.30           | 1.53  | 39              | 345   | 35.87           | 1.63  | 46              | 291   | 30.22           | 1.94  | 33              | 409   | 42.55           | 0.92  | 39              | 350   | 36.34           | 1.08  | 41              | 327   | 34.04           | 1.15  | 49              | 276   | 28.67           | 1.36  | 46              | 295   | 30.64           | 1.28  | 48              | 280   | 29.11           | 1.34  | 55              | 246   | 25.54           | 1.53  | 65              | 208   | 21.66           | 1.80  | 72              | 188   | 19.56           | 2.0   | 81              | 166   | 17.21           | 2.3   | 86              | 156   | 16.25           | 2.4   | 101             | 133   | 13.83           | 2.8   | 68              | 198   | 20.57           | 0.95  | 73              | 185   | 19.27           | 1.01  | 82              | 164   | 17.03           | 1.15  | 98              | 138   | 14.33           | 1.36  | 109             | 124   | 12.87           | 1.52  | 126             | 107   | 11.08           | 1.68  | 134             | 100   | 10.42           | 1.74  | 156             | 86    | 8.97            | 1.91  | 175             | 77    | 8.01            | 2.1   | 206             | 66    | 6.81            | 2.0   | 229             | 59    | 6.11            | 2.2   | 266             | 51    | 5.27            | 2.3   | 283             | 48    | 4.95            | 2.4   | 329             | 41    | 4.26            | 2.5   | 367             | 37    | 3.81            | 2.7   | <b>2.2kW</b>    |       |                 |       |                 |       | <b>2.2kW</b>    |       |                 |       |                 |       | 1.00            | 18699 | 1420            | 0.90  | F 157R97        | 4     | 1.00            | 18699 |                 |       | 1420            | 0.90  |                 |       | 1.09            | 17224 |                 |       | 1308            | 0.98  |                 |       | 1.21            | 15394 |                 |       | 1169            | 1.10  |                 |       | 1.49            | 12549 |                 |       | 953             | 1.35  |                 |       | 1.68            | 11127 |                 |       | 845             | 1.52  |                 |       | 1.86            | 10061 |                 |       | 764             | 1.68  |                 |       | 2.1             | 8954  | 680             | 1.89  |                 |       | 2.5             | 7585  |                 |       | 576             | 2.2   |                 |       | 3.2             | 5873  | 446             | 2.9   | 4.7             | 3964  | 301             | 4.3   | 5.2             | 3582  | 272             | 4.7   | 6.1             | 3042  | 231             | 5.6   | 7.2             | 2581  | 196             | 6.6   | 1.31            | 14288 | 1085            | 0.79  | 1.52            | 12339 | 937             | 0.91  | 1.72            | 10890 | 827             | 1.04  | 1.94            | 9652  | 733             | 1.17 | <b>F 127R77</b> |       |                 |       |                 |       | <b>F 127R77</b> |       |                 |       |                 |       |                 |       |                 |       |                 |       |                 |       |                 |       |                 |       |                 |       |                 |       |                 |       |                 |       |                 |       |                 |       |                 |       |                 |       |                 |       |                 |       |                 |       |                 |       |                 |       |                 |       |                 |       |                 |       |                 |       |                 |       |                 |       |                 |       |                 |       |                 |       |                 |       |                 |       |                 |       |                 |       |                 |      |                 |      |                 |      |                 |  |                 |  |                 |  |                 |  |  |  |  |  |  |  |  |  |  |  |  |  |  |  |  |  |
| 5.2             | 2615       | 271.92   | 1.08                   | 5.5             | 2452    | 254.93          | 1.15       | 6.1          | 2198                   | 228.57          | 1.28    | 7.1          | 1893 | 196.85          | 1.49  | 7.8             | 1721  | 178.95          | 1.63  | 8.8             | 1535  | 159.61       | 1.84  | 10              | 1290  | 134.16          | 2.2   | 13           | 1053  | 109.49       | 2.7   | 14              | 942   | 97.89        | 3.0   | 8.4          | 1601  | 166.47          | 0.88  | 9.8          | 1368  | 142.27       | 1.03  | 11              | 1254  | 130.42       | 1.12  | 12           | 1101  | 114.45          | 1.28  | 13           | 1043  | 108.46       | 1.35  | 15              | 913   | 94.93        | 1.54  | 16           | 823   | 85.52           | 1.71  | 19           | 722   | 75.02        | 1.95  | 19              | 695   | 72.29        | 2.0   | 21           | 637   | 66.28           | 2.2   | 24           | 559   | 58.16        | 2.5   | 25              | 530   | 55.12        | 2.7   | 29           | 464   | 48.24           | 3.0   | 32           | 418   | 43.46        | 3.4   | 37              | 367   | 38.12        | 3.8   | 38           | 352   | 36.52           | 3.0   | 44           | 303   | 31.45        | 4.3   | 15           | 871   | 90.59        | 0.88  | 18           | 750   | 77.97        | 1.03  | 21           | 636   | 66.13        | 1.21  | 23           | 574   | 59.70        | 1.34  | 27              | 505   | 52.53        | 1.53  | 28              | 477   | 49.60           | 1.62  | 33              | 406   | 42.23           | 1.90  | 36              | 369   | 38.38           | 1.99  | 39              | 349   | 36.30           | 2.2   | 44              | 309   | 32.08           | 2.5   | 51              | 264   | 27.41           | 2.9   | 56              | 242   | 25.13           | 3.2   | 24              | 568   | 59.10           | 0.99  | 28              | 483   | 50.22           | 1.17  | 31              | 431   | 44.84           | 1.31  | 37              | 368   | 38.30           | 1.53  | 39              | 345   | 35.87           | 1.63  | 46              | 291   | 30.22           | 1.94  | 33              | 409   | 42.55           | 0.92  | 39              | 350   | 36.34           | 1.08  | 41              | 327   | 34.04           | 1.15  | 49              | 276   | 28.67           | 1.36  | 46              | 295   | 30.64           | 1.28  | 48              | 280   | 29.11           | 1.34  | 55              | 246   | 25.54           | 1.53  | 65              | 208   | 21.66           | 1.80  | 72              | 188   | 19.56           | 2.0   | 81              | 166   | 17.21           | 2.3   | 86              | 156   | 16.25           | 2.4   | 101             | 133   | 13.83           | 2.8   | 68              | 198   | 20.57           | 0.95  | 73              | 185   | 19.27           | 1.01  | 82              | 164   | 17.03           | 1.15  | 98              | 138   | 14.33           | 1.36  | 109             | 124   | 12.87           | 1.52  | 126             | 107   | 11.08           | 1.68  | 134             | 100   | 10.42           | 1.74  | 156             | 86    | 8.97            | 1.91  | 175             | 77    | 8.01            | 2.1   | 206             | 66    | 6.81            | 2.0   | 229             | 59    | 6.11            | 2.2   | 266             | 51    | 5.27            | 2.3   | 283             | 48    | 4.95            | 2.4   | 329             | 41    | 4.26            | 2.5   | 367             | 37    | 3.81            | 2.7   | <b>2.2kW</b>    |       |                 |       |                 |       | <b>2.2kW</b>    |       |                 |       |                 |       | 1.00            | 18699 | 1420            | 0.90  | F 157R97        | 4     | 1.00            | 18699 |                 |       | 1420            | 0.90  |                 |       | 1.09            | 17224 |                 |       | 1308            | 0.98  |                 |       | 1.21            | 15394 |                 |       | 1169            | 1.10  |                 |       | 1.49            | 12549 |                 |       | 953             | 1.35  |                 |       | 1.68            | 11127 |                 |       | 845             | 1.52  |                 |       | 1.86            | 10061 |                 |       | 764             | 1.68  |                 |       | 2.1             | 8954  |                 |       | 680             | 1.89  | 2.5             | 7585  |                 |       | 576             | 2.2   |                 |       | 3.2             | 5873  | 446             | 2.9   | 4.7             | 3964  | 301             | 4.3   | 5.2             | 3582  | 272             | 4.7   | 6.1             | 3042  | 231             | 5.6   | 7.2             | 2581  | 196             | 6.6   | 1.31            | 14288 | 1085            | 0.79  | 1.52            | 12339 | 937             | 0.91  | 1.72            | 10890 | 827             | 1.04  | 1.94            | 9652  | 733             | 1.17  | <b>F 127R77</b> |       |                 |      |                 |       | <b>F 127R77</b> |       |                 |       |                 |       |                 |       |                 |       |                 |       |                 |       |                 |       |                 |       |                 |       |                 |       |                 |       |                 |       |                 |       |                 |       |                 |       |                 |       |                 |       |                 |       |                 |       |                 |       |                 |       |                 |       |                 |       |                 |       |                 |       |                 |       |                 |       |                 |       |                 |       |                 |       |                 |       |                 |       |                 |       |                 |       |                 |       |                 |       |                 |      |                 |      |                 |      |                 |  |                 |  |                 |  |                 |  |  |  |  |  |  |  |  |  |  |  |  |  |  |  |  |  |
| 5.5             | 2452       | 254.93   | 1.15                   | 6.1             | 2198    | 228.57          | 1.28       | 7.1          | 1893                   | 196.85          | 1.49    | 7.8          | 1721 | 178.95          | 1.63  | 8.8             | 1535  | 159.61          | 1.84  | 10              | 1290  | 134.16       | 2.2   | 13              | 1053  | 109.49          | 2.7   | 14           | 942   | 97.89        | 3.0   | 8.4             | 1601  | 166.47       | 0.88  | 9.8          | 1368  | 142.27          | 1.03  | 11           | 1254  | 130.42       | 1.12  | 12              | 1101  | 114.45       | 1.28  | 13           | 1043  | 108.46          | 1.35  | 15           | 913   | 94.93        | 1.54  | 16              | 823   | 85.52        | 1.71  | 19           | 722   | 75.02           | 1.95  | 19           | 695   | 72.29        | 2.0   | 21              | 637   | 66.28        | 2.2   | 24           | 559   | 58.16           | 2.5   | 25           | 530   | 55.12        | 2.7   | 29              | 464   | 48.24        | 3.0   | 32           | 418   | 43.46           | 3.4   | 37           | 367   | 38.12        | 3.8   | 38              | 352   | 36.52        | 3.0   | 44           | 303   | 31.45           | 4.3   | 15           | 871   | 90.59        | 0.88  | 18           | 750   | 77.97        | 1.03  | 21           | 636   | 66.13        | 1.21  | 23           | 574   | 59.70        | 1.34  | 27           | 505   | 52.53        | 1.53  | 28              | 477   | 49.60        | 1.62  | 33              | 406   | 42.23           | 1.90  | 36              | 369   | 38.38           | 1.99  | 39              | 349   | 36.30           | 2.2   | 44              | 309   | 32.08           | 2.5   | 51              | 264   | 27.41           | 2.9   | 56              | 242   | 25.13           | 3.2   | 24              | 568   | 59.10           | 0.99  | 28              | 483   | 50.22           | 1.17  | 31              | 431   | 44.84           | 1.31  | 37              | 368   | 38.30           | 1.53  | 39              | 345   | 35.87           | 1.63  | 46              | 291   | 30.22           | 1.94  | 33              | 409   | 42.55           | 0.92  | 39              | 350   | 36.34           | 1.08  | 41              | 327   | 34.04           | 1.15  | 49              | 276   | 28.67           | 1.36  | 46              | 295   | 30.64           | 1.28  | 48              | 280   | 29.11           | 1.34  | 55              | 246   | 25.54           | 1.53  | 65              | 208   | 21.66           | 1.80  | 72              | 188   | 19.56           | 2.0   | 81              | 166   | 17.21           | 2.3   | 86              | 156   | 16.25           | 2.4   | 101             | 133   | 13.83           | 2.8   | 68              | 198   | 20.57           | 0.95  | 73              | 185   | 19.27           | 1.01  | 82              | 164   | 17.03           | 1.15  | 98              | 138   | 14.33           | 1.36  | 109             | 124   | 12.87           | 1.52  | 126             | 107   | 11.08           | 1.68  | 134             | 100   | 10.42           | 1.74  | 156             | 86    | 8.97            | 1.91  | 175             | 77    | 8.01            | 2.1   | 206             | 66    | 6.81            | 2.0   | 229             | 59    | 6.11            | 2.2   | 266             | 51    | 5.27            | 2.3   | 283             | 48    | 4.95            | 2.4   | 329             | 41    | 4.26            | 2.5   | 367             | 37    | 3.81            | 2.7   | <b>2.2kW</b>    |       |                 |       |                 |       | <b>2.2kW</b>    |       |                 |       |                 |       | 1.00            | 18699 | 1420            | 0.90  | F 157R97        | 4     | 1.00            | 18699 |                 |       | 1420            | 0.90  |                 |       | 1.09            | 17224 |                 |       | 1308            | 0.98  |                 |       | 1.21            | 15394 |                 |       | 1169            | 1.10  |                 |       | 1.49            | 12549 |                 |       | 953             | 1.35  |                 |       | 1.68            | 11127 |                 |       | 845             | 1.52  |                 |       | 1.86            | 10061 |                 |       | 764             | 1.68  |                 |       | 2.1             | 8954  |                 |       | 680             | 1.89  |                 |       | 2.5             | 7585  | 576             | 2.2   |                 |       | 3.2             | 5873  | 446             | 2.9   | 4.7             | 3964  | 301             | 4.3   | 5.2             | 3582  | 272             | 4.7   | 6.1             | 3042  | 231             | 5.6   | 7.2             | 2581  | 196             | 6.6   | 1.31            | 14288 | 1085            | 0.79  | 1.52            | 12339 | 937             | 0.91  | 1.72            | 10890 | 827             | 1.04  | 1.94            | 9652  | 733             | 1.17  | <b>F 127R77</b> |       |                 |       |                 |       | <b>F 127R77</b> |      |                 |       |                 |       |                 |       |                 |       |                 |       |                 |       |                 |       |                 |       |                 |       |                 |       |                 |       |                 |       |                 |       |                 |       |                 |       |                 |       |                 |       |                 |       |                 |       |                 |       |                 |       |                 |       |                 |       |                 |       |                 |       |                 |       |                 |       |                 |       |                 |       |                 |       |                 |       |                 |       |                 |       |                 |       |                 |       |                 |       |                 |       |                 |       |                 |      |                 |      |                 |      |                 |  |                 |  |                 |  |                 |  |  |  |  |  |  |  |  |  |  |  |  |  |  |  |  |  |
| 6.1             | 2198       | 228.57   | 1.28                   | 7.1             | 1893    | 196.85          | 1.49       | 7.8          | 1721                   | 178.95          | 1.63    | 8.8          | 1535 | 159.61          | 1.84  | 10              | 1290  | 134.16          | 2.2   | 13              | 1053  | 109.49       | 2.7   | 14              | 942   | 97.89           | 3.0   | 8.4          | 1601  | 166.47       | 0.88  | 9.8             | 1368  | 142.27       | 1.03  | 11           | 1254  | 130.42          | 1.12  | 12           | 1101  | 114.45       | 1.28  | 13              | 1043  | 108.46       | 1.35  | 15           | 913   | 94.93           | 1.54  | 16           | 823   | 85.52        | 1.71  | 19              | 722   | 75.02        | 1.95  | 19           | 695   | 72.29           | 2.0   | 21           | 637   | 66.28        | 2.2   | 24              | 559   | 58.16        | 2.5   | 25           | 530   | 55.12           | 2.7   | 29           | 464   | 48.24        | 3.0   | 32              | 418   | 43.46        | 3.4   | 37           | 367   | 38.12           | 3.8   | 38           | 352   | 36.52        | 3.0   | 44              | 303   | 31.45        | 4.3   | 15           | 871   | 90.59           | 0.88  | 18           | 750   | 77.97        | 1.03  | 21           | 636   | 66.13        | 1.21  | 23           | 574   | 59.70        | 1.34  | 27           | 505   | 52.53        | 1.53  | 28           | 477   | 49.60        | 1.62  | 33              | 406   | 42.23        | 1.90  | 36              | 369   | 38.38           | 1.99  | 39              | 349   | 36.30           | 2.2   | 44              | 309   | 32.08           | 2.5   | 51              | 264   | 27.41           | 2.9   | 56              | 242   | 25.13           | 3.2   | 24              | 568   | 59.10           | 0.99  | 28              | 483   | 50.22           | 1.17  | 31              | 431   | 44.84           | 1.31  | 37              | 368   | 38.30           | 1.53  | 39              | 345   | 35.87           | 1.63  | 46              | 291   | 30.22           | 1.94  | 33              | 409   | 42.55           | 0.92  | 39              | 350   | 36.34           | 1.08  | 41              | 327   | 34.04           | 1.15  | 49              | 276   | 28.67           | 1.36  | 46              | 295   | 30.64           | 1.28  | 48              | 280   | 29.11           | 1.34  | 55              | 246   | 25.54           | 1.53  | 65              | 208   | 21.66           | 1.80  | 72              | 188   | 19.56           | 2.0   | 81              | 166   | 17.21           | 2.3   | 86              | 156   | 16.25           | 2.4   | 101             | 133   | 13.83           | 2.8   | 68              | 198   | 20.57           | 0.95  | 73              | 185   | 19.27           | 1.01  | 82              | 164   | 17.03           | 1.15  | 98              | 138   | 14.33           | 1.36  | 109             | 124   | 12.87           | 1.52  | 126             | 107   | 11.08           | 1.68  | 134             | 100   | 10.42           | 1.74  | 156             | 86    | 8.97            | 1.91  | 175             | 77    | 8.01            | 2.1   | 206             | 66    | 6.81            | 2.0   | 229             | 59    | 6.11            | 2.2   | 266             | 51    | 5.27            | 2.3   | 283             | 48    | 4.95            | 2.4   | 329             | 41    | 4.26            | 2.5   | 367             | 37    | 3.81            | 2.7   | <b>2.2kW</b>    |       |                 |       |                 |       | <b>2.2kW</b>    |       |                 |       |                 |       | 1.00            | 18699 | 1420            | 0.90  | F 157R97        | 4     | 1.00            | 18699 |                 |       | 1420            | 0.90  |                 |       | 1.09            | 17224 |                 |       | 1308            | 0.98  |                 |       | 1.21            | 15394 |                 |       | 1169            | 1.10  |                 |       | 1.49            | 12549 |                 |       | 953             | 1.35  |                 |       | 1.68            | 11127 |                 |       | 845             | 1.52  |                 |       | 1.86            | 10061 |                 |       | 764             | 1.68  |                 |       | 2.1             | 8954  |                 |       | 680             | 1.89  |                 |       | 2.5             | 7585  |                 |       | 576             | 2.2   | 3.2             | 5873  | 446             | 2.9   | 4.7             | 3964  | 301             | 4.3   | 5.2             | 3582  | 272             | 4.7   | 6.1             | 3042  | 231             | 5.6   | 7.2             | 2581  | 196             | 6.6   | 1.31            | 14288 | 1085            | 0.79  | 1.52            | 12339 | 937             | 0.91  | 1.72            | 10890 | 827             | 1.04  | 1.94            | 9652  | 733             | 1.17  | <b>F 127R77</b> |       |                 |       |                 |       | <b>F 127R77</b> |       |                 |       |                 |      |                 |       |                 |       |                 |       |                 |       |                 |       |                 |       |                 |       |                 |       |                 |       |                 |       |                 |       |                 |       |                 |       |                 |       |                 |       |                 |       |                 |       |                 |       |                 |       |                 |       |                 |       |                 |       |                 |       |                 |       |                 |       |                 |       |                 |       |                 |       |                 |       |                 |       |                 |       |                 |       |                 |       |                 |       |                 |       |                 |       |                 |       |                 |       |                 |      |                 |      |                 |      |                 |  |                 |  |                 |  |                 |  |  |  |  |  |  |  |  |  |  |  |  |  |  |  |  |  |
| 7.1             | 1893       | 196.85   | 1.49                   | 7.8             | 1721    | 178.95          | 1.63       | 8.8          | 1535                   | 159.61          | 1.84    | 10           | 1290 | 134.16          | 2.2   | 13              | 1053  | 109.49          | 2.7   | 14              | 942   | 97.89        | 3.0   | 8.4             | 1601  | 166.47          | 0.88  | 9.8          | 1368  | 142.27       | 1.03  | 11              | 1254  | 130.42       | 1.12  | 12           | 1101  | 114.45          | 1.28  | 13           | 1043  | 108.46       | 1.35  | 15              | 913   | 94.93        | 1.54  | 16           | 823   | 85.52           | 1.71  | 19           | 722   | 75.02        | 1.95  | 19              | 695   | 72.29        | 2.0   | 21           | 637   | 66.28           | 2.2   | 24           | 559   | 58.16        | 2.5   | 25              | 530   | 55.12        | 2.7   | 29           | 464   | 48.24           | 3.0   | 32           | 418   | 43.46        | 3.4   | 37              | 367   | 38.12        | 3.8   | 38           | 352   | 36.52           | 3.0   | 44           | 303   | 31.45        | 4.3   | 15              | 871   | 90.59        | 0.88  | 18           | 750   | 77.97           | 1.03  | 21           | 636   | 66.13        | 1.21  | 23           | 574   | 59.70        | 1.34  | 27           | 505   | 52.53        | 1.53  | 28           | 477   | 49.60        | 1.62  | 33           | 406   | 42.23        | 1.90  | 36              | 369   | 38.38        | 1.99  | 39              | 349   | 36.30           | 2.2   | 44              | 309   | 32.08           | 2.5   | 51              | 264   | 27.41           | 2.9   | 56              | 242   | 25.13           | 3.2   | 24              | 568   | 59.10           | 0.99  | 28              | 483   | 50.22           | 1.17  | 31              | 431   | 44.84           | 1.31  | 37              | 368   | 38.30           | 1.53  | 39              | 345   | 35.87           | 1.63  | 46              | 291   | 30.22           | 1.94  | 33              | 409   | 42.55           | 0.92  | 39              | 350   | 36.34           | 1.08  | 41              | 327   | 34.04           | 1.15  | 49              | 276   | 28.67           | 1.36  | 46              | 295   | 30.64           | 1.28  | 48              | 280   | 29.11           | 1.34  | 55              | 246   | 25.54           | 1.53  | 65              | 208   | 21.66           | 1.80  | 72              | 188   | 19.56           | 2.0   | 81              | 166   | 17.21           | 2.3   | 86              | 156   | 16.25           | 2.4   | 101             | 133   | 13.83           | 2.8   | 68              | 198   | 20.57           | 0.95  | 73              | 185   | 19.27           | 1.01  | 82              | 164   | 17.03           | 1.15  | 98              | 138   | 14.33           | 1.36  | 109             | 124   | 12.87           | 1.52  | 126             | 107   | 11.08           | 1.68  | 134             | 100   | 10.42           | 1.74  | 156             | 86    | 8.97            | 1.91  | 175             | 77    | 8.01            | 2.1   | 206             | 66    | 6.81            | 2.0   | 229             | 59    | 6.11            | 2.2   | 266             | 51    | 5.27            | 2.3   | 283             | 48    | 4.95            | 2.4   | 329             | 41    | 4.26            | 2.5   | 367             | 37    | 3.81            | 2.7   | <b>2.2kW</b>    |       |                 |       |                 |       | <b>2.2kW</b>    |       |                 |       |                 |       | 1.00            | 18699 | 1420            | 0.90  | F 157R97        | 4     | 1.00            | 18699 |                 |       | 1420            | 0.90  |                 |       | 1.09            | 17224 |                 |       | 1308            | 0.98  |                 |       | 1.21            | 15394 |                 |       | 1169            | 1.10  |                 |       | 1.49            | 12549 |                 |       | 953             | 1.35  |                 |       | 1.68            | 11127 |                 |       | 845             | 1.52  |                 |       | 1.86            | 10061 |                 |       | 764             | 1.68  |                 |       | 2.1             | 8954  |                 |       | 680             | 1.89  |                 |       | 2.5             | 7585  |                 |       | 576             | 2.2   | 3.2             | 5873  | 446             | 2.9   | 4.7             | 3964  | 301             | 4.3   | 5.2             | 3582  | 272             | 4.7   | 6.1             | 3042  | 231             | 5.6   | 7.2             | 2581  | 196             | 6.6   | 1.31            | 14288 | 1085            | 0.79  | 1.52            | 12339 | 937             | 0.91  | 1.72            | 10890 | 827             | 1.04  | 1.94            | 9652  | 733             | 1.17  | <b>F 127R77</b> |       |                 |       |                 |       | <b>F 127R77</b> |       |                 |       |                 |       |                 |       |                 |      |                 |       |                 |       |                 |       |                 |       |                 |       |                 |       |                 |       |                 |       |                 |       |                 |       |                 |       |                 |       |                 |       |                 |       |                 |       |                 |       |                 |       |                 |       |                 |       |                 |       |                 |       |                 |       |                 |       |                 |       |                 |       |                 |       |                 |       |                 |       |                 |       |                 |       |                 |       |                 |       |                 |       |                 |       |                 |       |                 |       |                 |       |                 |       |                 |      |                 |      |                 |      |                 |  |                 |  |                 |  |                 |  |  |  |  |  |  |  |  |  |  |  |  |  |  |  |  |  |
| 7.8             | 1721       | 178.95   | 1.63                   | 8.8             | 1535    | 159.61          | 1.84       | 10           | 1290                   | 134.16          | 2.2     | 13           | 1053 | 109.49          | 2.7   | 14              | 942   | 97.89           | 3.0   | 8.4             | 1601  | 166.47       | 0.88  | 9.8             | 1368  | 142.27          | 1.03  | 11           | 1254  | 130.42       | 1.12  | 12              | 1101  | 114.45       | 1.28  | 13           | 1043  | 108.46          | 1.35  | 15           | 913   | 94.93        | 1.54  | 16              | 823   | 85.52        | 1.71  | 19           | 722   | 75.02           | 1.95  | 19           | 695   | 72.29        | 2.0   | 21              | 637   | 66.28        | 2.2   | 24           | 559   | 58.16           | 2.5   | 25           | 530   | 55.12        | 2.7   | 29              | 464   | 48.24        | 3.0   | 32           | 418   | 43.46           | 3.4   | 37           | 367   | 38.12        | 3.8   | 38              | 352   | 36.52        | 3.0   | 44           | 303   | 31.45           | 4.3   | 15           | 871   | 90.59        | 0.88  | 18              | 750   | 77.97        | 1.03  | 21           | 636   | 66.13           | 1.21  | 23           | 574   | 59.70        | 1.34  | 27           | 505   | 52.53        | 1.53  | 28           | 477   | 49.60        | 1.62  | 33           | 406   | 42.23        | 1.90  | 36           | 369   | 38.38        | 1.99  | 39              | 349   | 36.30        | 2.2   | 44              | 309   | 32.08           | 2.5   | 51              | 264   | 27.41           | 2.9   | 56              | 242   | 25.13           | 3.2   | 24              | 568   | 59.10           | 0.99  | 28              | 483   | 50.22           | 1.17  | 31              | 431   | 44.84           | 1.31  | 37              | 368   | 38.30           | 1.53  | 39              | 345   | 35.87           | 1.63  | 46              | 291   | 30.22           | 1.94  | 33              | 409   | 42.55           | 0.92  | 39              | 350   | 36.34           | 1.08  | 41              | 327   | 34.04           | 1.15  | 49              | 276   | 28.67           | 1.36  | 46              | 295   | 30.64           | 1.28  | 48              | 280   | 29.11           | 1.34  | 55              | 246   | 25.54           | 1.53  | 65              | 208   | 21.66           | 1.80  | 72              | 188   | 19.56           | 2.0   | 81              | 166   | 17.21           | 2.3   | 86              | 156   | 16.25           | 2.4   | 101             | 133   | 13.83           | 2.8   | 68              | 198   | 20.57           | 0.95  | 73              | 185   | 19.27           | 1.01  | 82              | 164   | 17.03           | 1.15  | 98              | 138   | 14.33           | 1.36  | 109             | 124   | 12.87           | 1.52  | 126             | 107   | 11.08           | 1.68  | 134             | 100   | 10.42           | 1.74  | 156             | 86    | 8.97            | 1.91  | 175             | 77    | 8.01            | 2.1   | 206             | 66    | 6.81            | 2.0   | 229             | 59    | 6.11            | 2.2   | 266             | 51    | 5.27            | 2.3   | 283             | 48    | 4.95            | 2.4   | 329             | 41    | 4.26            | 2.5   | 367             | 37    | 3.81            | 2.7   | <b>2.2kW</b>    |       |                 |       |                 |       | <b>2.2kW</b>    |       |                 |       |                 |       | 1.00            | 18699 | 1420            | 0.90  | F 157R97        | 4     | 1.00            | 18699 |                 |       | 1420            | 0.90  |                 |       | 1.09            | 17224 |                 |       | 1308            | 0.98  |                 |       | 1.21            | 15394 |                 |       | 1169            | 1.10  |                 |       | 1.49            | 12549 |                 |       | 953             | 1.35  |                 |       | 1.68            | 11127 |                 |       | 845             | 1.52  |                 |       | 1.86            | 10061 |                 |       | 764             | 1.68  |                 |       | 2.1             | 8954  |                 |       | 680             | 1.89  |                 |       | 2.5             | 7585  |                 |       | 576             | 2.2   | 3.2             | 5873  | 446             | 2.9   | 4.7             | 3964  | 301             | 4.3   | 5.2             | 3582  | 272             | 4.7   | 6.1             | 3042  | 231             | 5.6   | 7.2             | 2581  | 196             | 6.6   | 1.31            | 14288 | 1085            | 0.79  | 1.52            | 12339 | 937             | 0.91  | 1.72            | 10890 | 827             | 1.04  | 1.94            | 9652  | 733             | 1.17  | <b>F 127R77</b> |       |                 |       |                 |       | <b>F 127R77</b> |       |                 |       |                 |       |                 |       |                 |       |                 |       |                 |      |                 |       |                 |       |                 |       |                 |       |                 |       |                 |       |                 |       |                 |       |                 |       |                 |       |                 |       |                 |       |                 |       |                 |       |                 |       |                 |       |                 |       |                 |       |                 |       |                 |       |                 |       |                 |       |                 |       |                 |       |                 |       |                 |       |                 |       |                 |       |                 |       |                 |       |                 |       |                 |       |                 |       |                 |       |                 |       |                 |       |                 |       |                 |       |                 |      |                 |      |                 |      |                 |  |                 |  |                 |  |                 |  |  |  |  |  |  |  |  |  |  |  |  |  |  |  |  |  |
| 8.8             | 1535       | 159.61   | 1.84                   | 10              | 1290    | 134.16          | 2.2        | 13           | 1053                   | 109.49          | 2.7     | 14           | 942  | 97.89           | 3.0   | 8.4             | 1601  | 166.47          | 0.88  | 9.8             | 1368  | 142.27       | 1.03  | 11              | 1254  | 130.42          | 1.12  | 12           | 1101  | 114.45       | 1.28  | 13              | 1043  | 108.46       | 1.35  | 15           | 913   | 94.93           | 1.54  | 16           | 823   | 85.52        | 1.71  | 19              | 722   | 75.02        | 1.95  | 19           | 695   | 72.29           | 2.0   | 21           | 637   | 66.28        | 2.2   | 24              | 559   | 58.16        | 2.5   | 25           | 530   | 55.12           | 2.7   | 29           | 464   | 48.24        | 3.0   | 32              | 418   | 43.46        | 3.4   | 37           | 367   | 38.12           | 3.8   | 38           | 352   | 36.52        | 3.0   | 44              | 303   | 31.45        | 4.3   | 15           | 871   | 90.59           | 0.88  | 18           | 750   | 77.97        | 1.03  | 21              | 636   | 66.13        | 1.21  | 23           | 574   | 59.70           | 1.34  | 27           | 505   | 52.53        | 1.53  | 28           | 477   | 49.60        | 1.62  | 33           | 406   | 42.23        | 1.90  | 36           | 369   | 38.38        | 1.99  | 39           | 349   | 36.30        | 2.2   | 44              | 309   | 32.08        | 2.5   | 51              | 264   | 27.41           | 2.9   | 56              | 242   | 25.13           | 3.2   | 24              | 568   | 59.10           | 0.99  | 28              | 483   | 50.22           | 1.17  | 31              | 431   | 44.84           | 1.31  | 37              | 368   | 38.30           | 1.53  | 39              | 345   | 35.87           | 1.63  | 46              | 291   | 30.22           | 1.94  | 33              | 409   | 42.55           | 0.92  | 39              | 350   | 36.34           | 1.08  | 41              | 327   | 34.04           | 1.15  | 49              | 276   | 28.67           | 1.36  | 46              | 295   | 30.64           | 1.28  | 48              | 280   | 29.11           | 1.34  | 55              | 246   | 25.54           | 1.53  | 65              | 208   | 21.66           | 1.80  | 72              | 188   | 19.56           | 2.0   | 81              | 166   | 17.21           | 2.3   | 86              | 156   | 16.25           | 2.4   | 101             | 133   | 13.83           | 2.8   | 68              | 198   | 20.57           | 0.95  | 73              | 185   | 19.27           | 1.01  | 82              | 164   | 17.03           | 1.15  | 98              | 138   | 14.33           | 1.36  | 109             | 124   | 12.87           | 1.52  | 126             | 107   | 11.08           | 1.68  | 134             | 100   | 10.42           | 1.74  | 156             | 86    | 8.97            | 1.91  | 175             | 77    | 8.01            | 2.1   | 206             | 66    | 6.81            | 2.0   | 229             | 59    | 6.11            | 2.2   | 266             | 51    | 5.27            | 2.3   | 283             | 48    | 4.95            | 2.4   | 329             | 41    | 4.26            | 2.5   | 367             | 37    | 3.81            | 2.7   | <b>2.2kW</b>    |       |                 |       |                 |       | <b>2.2kW</b>    |       |                 |       |                 |       | 1.00            | 18699 | 1420            | 0.90  | F 157R97        | 4     | 1.00            | 18699 |                 |       | 1420            | 0.90  |                 |       | 1.09            | 17224 |                 |       | 1308            | 0.98  |                 |       | 1.21            | 15394 |                 |       | 1169            | 1.10  |                 |       | 1.49            | 12549 |                 |       | 953             | 1.35  |                 |       | 1.68            | 11127 |                 |       | 845             | 1.52  |                 |       | 1.86            | 10061 |                 |       | 764             | 1.68  |                 |       | 2.1             | 8954  |                 |       | 680             | 1.89  |                 |       | 2.5             | 7585  |                 |       | 576             | 2.2   | 3.2             | 5873  | 446             | 2.9   | 4.7             | 3964  | 301             | 4.3   | 5.2             | 3582  | 272             | 4.7   | 6.1             | 3042  | 231             | 5.6   | 7.2             | 2581  | 196             | 6.6   | 1.31            | 14288 | 1085            | 0.79  | 1.52            | 12339 | 937             | 0.91  | 1.72            | 10890 | 827             | 1.04  | 1.94            | 9652  | 733             | 1.17  | <b>F 127R77</b> |       |                 |       |                 |       | <b>F 127R77</b> |       |                 |       |                 |       |                 |       |                 |       |                 |       |                 |       |                 |       |                 |      |                 |       |                 |       |                 |       |                 |       |                 |       |                 |       |                 |       |                 |       |                 |       |                 |       |                 |       |                 |       |                 |       |                 |       |                 |       |                 |       |                 |       |                 |       |                 |       |                 |       |                 |       |                 |       |                 |       |                 |       |                 |       |                 |       |                 |       |                 |       |                 |       |                 |       |                 |       |                 |       |                 |       |                 |       |                 |       |                 |       |                 |       |                 |       |                 |      |                 |      |                 |      |                 |  |                 |  |                 |  |                 |  |  |  |  |  |  |  |  |  |  |  |  |  |  |  |  |  |
| 10              | 1290       | 134.16   | 2.2                    | 13              | 1053    | 109.49          | 2.7        | 14           | 942                    | 97.89           | 3.0     | 8.4          | 1601 | 166.47          | 0.88  | 9.8             | 1368  | 142.27          | 1.03  | 11              | 1254  | 130.42       | 1.12  | 12              | 1101  | 114.45          | 1.28  | 13           | 1043  | 108.46       | 1.35  | 15              | 913   | 94.93        | 1.54  | 16           | 823   | 85.52           | 1.71  | 19           | 722   | 75.02        | 1.95  | 19              | 695   | 72.29        | 2.0   | 21           | 637   | 66.28           | 2.2   | 24           | 559   | 58.16        | 2.5   | 25              | 530   | 55.12        | 2.7   | 29           | 464   | 48.24           | 3.0   | 32           | 418   | 43.46        | 3.4   | 37              | 367   | 38.12        | 3.8   | 38           | 352   | 36.52           | 3.0   | 44           | 303   | 31.45        | 4.3   | 15              | 871   | 90.59        | 0.88  | 18           | 750   | 77.97           | 1.03  | 21           | 636   | 66.13        | 1.21  | 23              | 574   | 59.70        | 1.34  | 27           | 505   | 52.53           | 1.53  | 28           | 477   | 49.60        | 1.62  | 33           | 406   | 42.23        | 1.90  | 36           | 369   | 38.38        | 1.99  | 39           | 349   | 36.30        | 2.2   | 44           | 309   | 32.08        | 2.5   | 51              | 264   | 27.41        | 2.9   | 56              | 242   | 25.13           | 3.2   | 24              | 568   | 59.10           | 0.99  | 28              | 483   | 50.22           | 1.17  | 31              | 431   | 44.84           | 1.31  | 37              | 368   | 38.30           | 1.53  | 39              | 345   | 35.87           | 1.63  | 46              | 291   | 30.22           | 1.94  | 33              | 409   | 42.55           | 0.92  | 39              | 350   | 36.34           | 1.08  | 41              | 327   | 34.04           | 1.15  | 49              | 276   | 28.67           | 1.36  | 46              | 295   | 30.64           | 1.28  | 48              | 280   | 29.11           | 1.34  | 55              | 246   | 25.54           | 1.53  | 65              | 208   | 21.66           | 1.80  | 72              | 188   | 19.56           | 2.0   | 81              | 166   | 17.21           | 2.3   | 86              | 156   | 16.25           | 2.4   | 101             | 133   | 13.83           | 2.8   | 68              | 198   | 20.57           | 0.95  | 73              | 185   | 19.27           | 1.01  | 82              | 164   | 17.03           | 1.15  | 98              | 138   | 14.33           | 1.36  | 109             | 124   | 12.87           | 1.52  | 126             | 107   | 11.08           | 1.68  | 134             | 100   | 10.42           | 1.74  | 156             | 86    | 8.97            | 1.91  | 175             | 77    | 8.01            | 2.1   | 206             | 66    | 6.81            | 2.0   | 229             | 59    | 6.11            | 2.2   | 266             | 51    | 5.27            | 2.3   | 283             | 48    | 4.95            | 2.4   | 329             | 41    | 4.26            | 2.5   | 367             | 37    | 3.81            | 2.7   | <b>2.2kW</b>    |       |                 |       |                 |       | <b>2.2kW</b>    |       |                 |       |                 |       | 1.00            | 18699 | 1420            | 0.90  | F 157R97        | 4     | 1.00            | 18699 |                 |       | 1420            | 0.90  |                 |       | 1.09            | 17224 |                 |       | 1308            | 0.98  |                 |       | 1.21            | 15394 |                 |       | 1169            | 1.10  |                 |       | 1.49            | 12549 |                 |       | 953             | 1.35  |                 |       | 1.68            | 11127 |                 |       | 845             | 1.52  |                 |       | 1.86            | 10061 |                 |       | 764             | 1.68  |                 |       | 2.1             | 8954  |                 |       | 680             | 1.89  |                 |       | 2.5             | 7585  |                 |       | 576             | 2.2   | 3.2             | 5873  | 446             | 2.9   | 4.7             | 3964  | 301             | 4.3   | 5.2             | 3582  | 272             | 4.7   | 6.1             | 3042  | 231             | 5.6   | 7.2             | 2581  | 196             | 6.6   | 1.31            | 14288 | 1085            | 0.79  | 1.52            | 12339 | 937             | 0.91  | 1.72            | 10890 | 827             | 1.04  | 1.94            | 9652  | 733             | 1.17  | <b>F 127R77</b> |       |                 |       |                 |       | <b>F 127R77</b> |       |                 |       |                 |       |                 |       |                 |       |                 |       |                 |       |                 |       |                 |       |                 |       |                 |      |                 |       |                 |       |                 |       |                 |       |                 |       |                 |       |                 |       |                 |       |                 |       |                 |       |                 |       |                 |       |                 |       |                 |       |                 |       |                 |       |                 |       |                 |       |                 |       |                 |       |                 |       |                 |       |                 |       |                 |       |                 |       |                 |       |                 |       |                 |       |                 |       |                 |       |                 |       |                 |       |                 |       |                 |       |                 |       |                 |       |                 |       |                 |       |                 |      |                 |      |                 |      |                 |  |                 |  |                 |  |                 |  |  |  |  |  |  |  |  |  |  |  |  |  |  |  |  |  |
| 13              | 1053       | 109.49   | 2.7                    | 14              | 942     | 97.89           | 3.0        | 8.4          | 1601                   | 166.47          | 0.88    | 9.8          | 1368 | 142.27          | 1.03  | 11              | 1254  | 130.42          | 1.12  | 12              | 1101  | 114.45       | 1.28  | 13              | 1043  | 108.46          | 1.35  | 15           | 913   | 94.93        | 1.54  | 16              | 823   | 85.52        | 1.71  | 19           | 722   | 75.02           | 1.95  | 19           | 695   | 72.29        | 2.0   | 21              | 637   | 66.28        | 2.2   | 24           | 559   | 58.16           | 2.5   | 25           | 530   | 55.12        | 2.7   | 29              | 464   | 48.24        | 3.0   | 32           | 418   | 43.46           | 3.4   | 37           | 367   | 38.12        | 3.8   | 38              | 352   | 36.52        | 3.0   | 44           | 303   | 31.45           | 4.3   | 15           | 871   | 90.59        | 0.88  | 18              | 750   | 77.97        | 1.03  | 21           | 636   | 66.13           | 1.21  | 23           | 574   | 59.70        | 1.34  | 27              | 505   | 52.53        | 1.53  | 28           | 477   | 49.60           | 1.62  | 33           | 406   | 42.23        | 1.90  | 36           | 369   | 38.38        | 1.99  | 39           | 349   | 36.30        | 2.2   | 44           | 309   | 32.08        | 2.5   | 51           | 264   | 27.41        | 2.9   | 56              | 242   | 25.13        | 3.2   | 24              | 568   | 59.10           | 0.99  | 28              | 483   | 50.22           | 1.17  | 31              | 431   | 44.84           | 1.31  | 37              | 368   | 38.30           | 1.53  | 39              | 345   | 35.87           | 1.63  | 46              | 291   | 30.22           | 1.94  | 33              | 409   | 42.55           | 0.92  | 39              | 350   | 36.34           | 1.08  | 41              | 327   | 34.04           | 1.15  | 49              | 276   | 28.67           | 1.36  | 46              | 295   | 30.64           | 1.28  | 48              | 280   | 29.11           | 1.34  | 55              | 246   | 25.54           | 1.53  | 65              | 208   | 21.66           | 1.80  | 72              | 188   | 19.56           | 2.0   | 81              | 166   | 17.21           | 2.3   | 86              | 156   | 16.25           | 2.4   | 101             | 133   | 13.83           | 2.8   | 68              | 198   | 20.57           | 0.95  | 73              | 185   | 19.27           | 1.01  | 82              | 164   | 17.03           | 1.15  | 98              | 138   | 14.33           | 1.36  | 109             | 124   | 12.87           | 1.52  | 126             | 107   | 11.08           | 1.68  | 134             | 100   | 10.42           | 1.74  | 156             | 86    | 8.97            | 1.91  | 175             | 77    | 8.01            | 2.1   | 206             | 66    | 6.81            | 2.0   | 229             | 59    | 6.11            | 2.2   | 266             | 51    | 5.27            | 2.3   | 283             | 48    | 4.95            | 2.4   | 329             | 41    | 4.26            | 2.5   | 367             | 37    | 3.81            | 2.7   | <b>2.2kW</b>    |       |                 |       |                 |       | <b>2.2kW</b>    |       |                 |       |                 |       | 1.00            | 18699 | 1420            | 0.90  | F 157R97        | 4     | 1.00            | 18699 |                 |       | 1420            | 0.90  |                 |       | 1.09            | 17224 |                 |       | 1308            | 0.98  |                 |       | 1.21            | 15394 |                 |       | 1169            | 1.10  |                 |       | 1.49            | 12549 |                 |       | 953             | 1.35  |                 |       | 1.68            | 11127 |                 |       | 845             | 1.52  |                 |       | 1.86            | 10061 |                 |       | 764             | 1.68  |                 |       | 2.1             | 8954  |                 |       | 680             | 1.89  |                 |       | 2.5             | 7585  |                 |       | 576             | 2.2   | 3.2             | 5873  | 446             | 2.9   | 4.7             | 3964  | 301             | 4.3   | 5.2             | 3582  | 272             | 4.7   | 6.1             | 3042  | 231             | 5.6   | 7.2             | 2581  | 196             | 6.6   | 1.31            | 14288 | 1085            | 0.79  | 1.52            | 12339 | 937             | 0.91  | 1.72            | 10890 | 827             | 1.04  | 1.94            | 9652  | 733             | 1.17  | <b>F 127R77</b> |       |                 |       |                 |       | <b>F 127R77</b> |       |                 |       |                 |       |                 |       |                 |       |                 |       |                 |       |                 |       |                 |       |                 |       |                 |       |                 |       |                 |      |                 |       |                 |       |                 |       |                 |       |                 |       |                 |       |                 |       |                 |       |                 |       |                 |       |                 |       |                 |       |                 |       |                 |       |                 |       |                 |       |                 |       |                 |       |                 |       |                 |       |                 |       |                 |       |                 |       |                 |       |                 |       |                 |       |                 |       |                 |       |                 |       |                 |       |                 |       |                 |       |                 |       |                 |       |                 |       |                 |       |                 |       |                 |       |                 |      |                 |      |                 |      |                 |  |                 |  |                 |  |                 |  |  |  |  |  |  |  |  |  |  |  |  |  |  |  |  |  |
| 14              | 942        | 97.89    | 3.0                    | 8.4             | 1601    | 166.47          | 0.88       | 9.8          | 1368                   | 142.27          | 1.03    | 11           | 1254 | 130.42          | 1.12  | 12              | 1101  | 114.45          | 1.28  | 13              | 1043  | 108.46       | 1.35  | 15              | 913   | 94.93           | 1.54  | 16           | 823   | 85.52        | 1.71  | 19              | 722   | 75.02        | 1.95  | 19           | 695   | 72.29           | 2.0   | 21           | 637   | 66.28        | 2.2   | 24              | 559   | 58.16        | 2.5   | 25           | 530   | 55.12           | 2.7   | 29           | 464   | 48.24        | 3.0   | 32              | 418   | 43.46        | 3.4   | 37           | 367   | 38.12           | 3.8   | 38           | 352   | 36.52        | 3.0   | 44              | 303   | 31.45        | 4.3   | 15           | 871   | 90.59           | 0.88  | 18           | 750   | 77.97        | 1.03  | 21              | 636   | 66.13        | 1.21  | 23           | 574   | 59.70           | 1.34  | 27           | 505   | 52.53        | 1.53  | 28              | 477   | 49.60        | 1.62  | 33           | 406   | 42.23           | 1.90  | 36           | 369   | 38.38        | 1.99  | 39           | 349   | 36.30        | 2.2   | 44           | 309   | 32.08        | 2.5   | 51           | 264   | 27.41        | 2.9   | 56           | 242   | 25.13        | 3.2   | 24              | 568   | 59.10        | 0.99  | 28              | 483   | 50.22           | 1.17  | 31              | 431   | 44.84           | 1.31  | 37              | 368   | 38.30           | 1.53  | 39              | 345   | 35.87           | 1.63  | 46              | 291   | 30.22           | 1.94  | 33              | 409   | 42.55           | 0.92  | 39              | 350   | 36.34           | 1.08  | 41              | 327   | 34.04           | 1.15  | 49              | 276   | 28.67           | 1.36  | 46              | 295   | 30.64           | 1.28  | 48              | 280   | 29.11           | 1.34  | 55              | 246   | 25.54           | 1.53  | 65              | 208   | 21.66           | 1.80  | 72              | 188   | 19.56           | 2.0   | 81              | 166   | 17.21           | 2.3   | 86              | 156   | 16.25           | 2.4   | 101             | 133   | 13.83           | 2.8   | 68              | 198   | 20.57           | 0.95  | 73              | 185   | 19.27           | 1.01  | 82              | 164   | 17.03           | 1.15  | 98              | 138   | 14.33           | 1.36  | 109             | 124   | 12.87           | 1.52  | 126             | 107   | 11.08           | 1.68  | 134             | 100   | 10.42           | 1.74  | 156             | 86    | 8.97            | 1.91  | 175             | 77    | 8.01            | 2.1   | 206             | 66    | 6.81            | 2.0   | 229             | 59    | 6.11            | 2.2   | 266             | 51    | 5.27            | 2.3   | 283             | 48    | 4.95            | 2.4   | 329             | 41    | 4.26            | 2.5   | 367             | 37    | 3.81            | 2.7   | <b>2.2kW</b>    |       |                 |       |                 |       | <b>2.2kW</b>    |       |                 |       |                 |       | 1.00            | 18699 | 1420            | 0.90  | F 157R97        | 4     | 1.00            | 18699 |                 |       | 1420            | 0.90  |                 |       | 1.09            | 17224 |                 |       | 1308            | 0.98  |                 |       | 1.21            | 15394 |                 |       | 1169            | 1.10  |                 |       | 1.49            | 12549 |                 |       | 953             | 1.35  |                 |       | 1.68            | 11127 |                 |       | 845             | 1.52  |                 |       | 1.86            | 10061 |                 |       | 764             | 1.68  |                 |       | 2.1             | 8954  |                 |       | 680             | 1.89  |                 |       | 2.5             | 7585  |                 |       | 576             | 2.2   | 3.2             | 5873  | 446             | 2.9   | 4.7             | 3964  | 301             | 4.3   | 5.2             | 3582  | 272             | 4.7   | 6.1             | 3042  | 231             | 5.6   | 7.2             | 2581  | 196             | 6.6   | 1.31            | 14288 | 1085            | 0.79  | 1.52            | 12339 | 937             | 0.91  | 1.72            | 10890 | 827             | 1.04  | 1.94            | 9652  | 733             | 1.17  | <b>F 127R77</b> |       |                 |       |                 |       | <b>F 127R77</b> |       |                 |       |                 |       |                 |       |                 |       |                 |       |                 |       |                 |       |                 |       |                 |       |                 |       |                 |       |                 |       |                 |       |                 |      |                 |       |                 |       |                 |       |                 |       |                 |       |                 |       |                 |       |                 |       |                 |       |                 |       |                 |       |                 |       |                 |       |                 |       |                 |       |                 |       |                 |       |                 |       |                 |       |                 |       |                 |       |                 |       |                 |       |                 |       |                 |       |                 |       |                 |       |                 |       |                 |       |                 |       |                 |       |                 |       |                 |       |                 |       |                 |       |                 |       |                 |       |                 |       |                 |      |                 |      |                 |      |                 |  |                 |  |                 |  |                 |  |  |  |  |  |  |  |  |  |  |  |  |  |  |  |  |  |
| 8.4             | 1601       | 166.47   | 0.88                   | 9.8             | 1368    | 142.27          | 1.03       | 11           | 1254                   | 130.42          | 1.12    | 12           | 1101 | 114.45          | 1.28  | 13              | 1043  | 108.46          | 1.35  | 15              | 913   | 94.93        | 1.54  | 16              | 823   | 85.52           | 1.71  | 19           | 722   | 75.02        | 1.95  | 19              | 695   | 72.29        | 2.0   | 21           | 637   | 66.28           | 2.2   | 24           | 559   | 58.16        | 2.5   | 25              | 530   | 55.12        | 2.7   | 29           | 464   | 48.24           | 3.0   | 32           | 418   | 43.46        | 3.4   | 37              | 367   | 38.12        | 3.8   | 38           | 352   | 36.52           | 3.0   | 44           | 303   | 31.45        | 4.3   | 15              | 871   | 90.59        | 0.88  | 18           | 750   | 77.97           | 1.03  | 21           | 636   | 66.13        | 1.21  | 23              | 574   | 59.70        | 1.34  | 27           | 505   | 52.53           | 1.53  | 28           | 477   | 49.60        | 1.62  | 33              | 406   | 42.23        | 1.90  | 36           | 369   | 38.38           | 1.99  | 39           | 349   | 36.30        | 2.2   | 44           | 309   | 32.08        | 2.5   | 51           | 264   | 27.41        | 2.9   | 56           | 242   | 25.13        | 3.2   | 24           | 568   | 59.10        | 0.99  | 28              | 483   | 50.22        | 1.17  | 31              | 431   | 44.84           | 1.31  | 37              | 368   | 38.30           | 1.53  | 39              | 345   | 35.87           | 1.63  | 46              | 291   | 30.22           | 1.94  | 33              | 409   | 42.55           | 0.92  | 39              | 350   | 36.34           | 1.08  | 41              | 327   | 34.04           | 1.15  | 49              | 276   | 28.67           | 1.36  | 46              | 295   | 30.64           | 1.28  | 48              | 280   | 29.11           | 1.34  | 55              | 246   | 25.54           | 1.53  | 65              | 208   | 21.66           | 1.80  | 72              | 188   | 19.56           | 2.0   | 81              | 166   | 17.21           | 2.3   | 86              | 156   | 16.25           | 2.4   | 101             | 133   | 13.83           | 2.8   | 68              | 198   | 20.57           | 0.95  | 73              | 185   | 19.27           | 1.01  | 82              | 164   | 17.03           | 1.15  | 98              | 138   | 14.33           | 1.36  | 109             | 124   | 12.87           | 1.52  | 126             | 107   | 11.08           | 1.68  | 134             | 100   | 10.42           | 1.74  | 156             | 86    | 8.97            | 1.91  | 175             | 77    | 8.01            | 2.1   | 206             | 66    | 6.81            | 2.0   | 229             | 59    | 6.11            | 2.2   | 266             | 51    | 5.27            | 2.3   | 283             | 48    | 4.95            | 2.4   | 329             | 41    | 4.26            | 2.5   | 367             | 37    | 3.81            | 2.7   | <b>2.2kW</b>    |       |                 |       |                 |       | <b>2.2kW</b>    |       |                 |       |                 |       | 1.00            | 18699 | 1420            | 0.90  | F 157R97        | 4     | 1.00            | 18699 |                 |       | 1420            | 0.90  |                 |       | 1.09            | 17224 |                 |       | 1308            | 0.98  |                 |       | 1.21            | 15394 |                 |       | 1169            | 1.10  |                 |       | 1.49            | 12549 |                 |       | 953             | 1.35  |                 |       | 1.68            | 11127 |                 |       | 845             | 1.52  |                 |       | 1.86            | 10061 |                 |       | 764             | 1.68  |                 |       | 2.1             | 8954  |                 |       | 680             | 1.89  |                 |       | 2.5             | 7585  |                 |       | 576             | 2.2   | 3.2             | 5873  | 446             | 2.9   | 4.7             | 3964  | 301             | 4.3   | 5.2             | 3582  | 272             | 4.7   | 6.1             | 3042  | 231             | 5.6   | 7.2             | 2581  | 196             | 6.6   | 1.31            | 14288 | 1085            | 0.79  | 1.52            | 12339 | 937             | 0.91  | 1.72            | 10890 | 827             | 1.04  | 1.94            | 9652  | 733             | 1.17  | <b>F 127R77</b> |       |                 |       |                 |       | <b>F 127R77</b> |       |                 |       |                 |       |                 |       |                 |       |                 |       |                 |       |                 |       |                 |       |                 |       |                 |       |                 |       |                 |       |                 |       |                 |       |                 |       |                 |      |                 |       |                 |       |                 |       |                 |       |                 |       |                 |       |                 |       |                 |       |                 |       |                 |       |                 |       |                 |       |                 |       |                 |       |                 |       |                 |       |                 |       |                 |       |                 |       |                 |       |                 |       |                 |       |                 |       |                 |       |                 |       |                 |       |                 |       |                 |       |                 |       |                 |       |                 |       |                 |       |                 |       |                 |       |                 |       |                 |       |                 |       |                 |       |                 |      |                 |      |                 |      |                 |  |                 |  |                 |  |                 |  |  |  |  |  |  |  |  |  |  |  |  |  |  |  |  |  |
| 9.8             | 1368       | 142.27   | 1.03                   | 11              | 1254    | 130.42          | 1.12       | 12           | 1101                   | 114.45          | 1.28    | 13           | 1043 | 108.46          | 1.35  | 15              | 913   | 94.93           | 1.54  | 16              | 823   | 85.52        | 1.71  | 19              | 722   | 75.02           | 1.95  | 19           | 695   | 72.29        | 2.0   | 21              | 637   | 66.28        | 2.2   | 24           | 559   | 58.16           | 2.5   | 25           | 530   | 55.12        | 2.7   | 29              | 464   | 48.24        | 3.0   | 32           | 418   | 43.46           | 3.4   | 37           | 367   | 38.12        | 3.8   | 38              | 352   | 36.52        | 3.0   | 44           | 303   | 31.45           | 4.3   | 15           | 871   | 90.59        | 0.88  | 18              | 750   | 77.97        | 1.03  | 21           | 636   | 66.13           | 1.21  | 23           | 574   | 59.70        | 1.34  | 27              | 505   | 52.53        | 1.53  | 28           | 477   | 49.60           | 1.62  | 33           | 406   | 42.23        | 1.90  | 36              | 369   | 38.38        | 1.99  | 39           | 349   | 36.30           | 2.2   | 44           | 309   | 32.08        | 2.5   | 51           | 264   | 27.41        | 2.9   | 56           | 242   | 25.13        | 3.2   | 24           | 568   | 59.10        | 0.99  | 28           | 483   | 50.22        | 1.17  | 31              | 431   | 44.84        | 1.31  | 37              | 368   | 38.30           | 1.53  | 39              | 345   | 35.87           | 1.63  | 46              | 291   | 30.22           | 1.94  | 33              | 409   | 42.55           | 0.92  | 39              | 350   | 36.34           | 1.08  | 41              | 327   | 34.04           | 1.15  | 49              | 276   | 28.67           | 1.36  | 46              | 295   | 30.64           | 1.28  | 48              | 280   | 29.11           | 1.34  | 55              | 246   | 25.54           | 1.53  | 65              | 208   | 21.66           | 1.80  | 72              | 188   | 19.56           | 2.0   | 81              | 166   | 17.21           | 2.3   | 86              | 156   | 16.25           | 2.4   | 101             | 133   | 13.83           | 2.8   | 68              | 198   | 20.57           | 0.95  | 73              | 185   | 19.27           | 1.01  | 82              | 164   | 17.03           | 1.15  | 98              | 138   | 14.33           | 1.36  | 109             | 124   | 12.87           | 1.52  | 126             | 107   | 11.08           | 1.68  | 134             | 100   | 10.42           | 1.74  | 156             | 86    | 8.97            | 1.91  | 175             | 77    | 8.01            | 2.1   | 206             | 66    | 6.81            | 2.0   | 229             | 59    | 6.11            | 2.2   | 266             | 51    | 5.27            | 2.3   | 283             | 48    | 4.95            | 2.4   | 329             | 41    | 4.26            | 2.5   | 367             | 37    | 3.81            | 2.7   | <b>2.2kW</b>    |       |                 |       |                 |       | <b>2.2kW</b>    |       |                 |       |                 |       | 1.00            | 18699 | 1420            | 0.90  | F 157R97        | 4     | 1.00            | 18699 |                 |       | 1420            | 0.90  |                 |       | 1.09            | 17224 |                 |       | 1308            | 0.98  |                 |       | 1.21            | 15394 |                 |       | 1169            | 1.10  |                 |       | 1.49            | 12549 |                 |       | 953             | 1.35  |                 |       | 1.68            | 11127 |                 |       | 845             | 1.52  |                 |       | 1.86            | 10061 |                 |       | 764             | 1.68  |                 |       | 2.1             | 8954  |                 |       | 680             | 1.89  |                 |       | 2.5             | 7585  |                 |       | 576             | 2.2   | 3.2             | 5873  | 446             | 2.9   | 4.7             | 3964  | 301             | 4.3   | 5.2             | 3582  | 272             | 4.7   | 6.1             | 3042  | 231             | 5.6   | 7.2             | 2581  | 196             | 6.6   | 1.31            | 14288 | 1085            | 0.79  | 1.52            | 12339 | 937             | 0.91  | 1.72            | 10890 | 827             | 1.04  | 1.94            | 9652  | 733             | 1.17  | <b>F 127R77</b> |       |                 |       |                 |       | <b>F 127R77</b> |       |                 |       |                 |       |                 |       |                 |       |                 |       |                 |       |                 |       |                 |       |                 |       |                 |       |                 |       |                 |       |                 |       |                 |       |                 |       |                 |       |                 |       |                 |      |                 |       |                 |       |                 |       |                 |       |                 |       |                 |       |                 |       |                 |       |                 |       |                 |       |                 |       |                 |       |                 |       |                 |       |                 |       |                 |       |                 |       |                 |       |                 |       |                 |       |                 |       |                 |       |                 |       |                 |       |                 |       |                 |       |                 |       |                 |       |                 |       |                 |       |                 |       |                 |       |                 |       |                 |       |                 |       |                 |       |                 |       |                 |       |                 |      |                 |      |                 |      |                 |  |                 |  |                 |  |                 |  |  |  |  |  |  |  |  |  |  |  |  |  |  |  |  |  |
| 11              | 1254       | 130.42   | 1.12                   | 12              | 1101    | 114.45          | 1.28       | 13           | 1043                   | 108.46          | 1.35    | 15           | 913  | 94.93           | 1.54  | 16              | 823   | 85.52           | 1.71  | 19              | 722   | 75.02        | 1.95  | 19              | 695   | 72.29           | 2.0   | 21           | 637   | 66.28        | 2.2   | 24              | 559   | 58.16        | 2.5   | 25           | 530   | 55.12           | 2.7   | 29           | 464   | 48.24        | 3.0   | 32              | 418   | 43.46        | 3.4   | 37           | 367   | 38.12           | 3.8   | 38           | 352   | 36.52        | 3.0   | 44              | 303   | 31.45        | 4.3   | 15           | 871   | 90.59           | 0.88  | 18           | 750   | 77.97        | 1.03  | 21              | 636   | 66.13        | 1.21  | 23           | 574   | 59.70           | 1.34  | 27           | 505   | 52.53        | 1.53  | 28              | 477   | 49.60        | 1.62  | 33           | 406   | 42.23           | 1.90  | 36           | 369   | 38.38        | 1.99  | 39              | 349   | 36.30        | 2.2   | 44           | 309   | 32.08           | 2.5   | 51           | 264   | 27.41        | 2.9   | 56           | 242   | 25.13        | 3.2   | 24           | 568   | 59.10        | 0.99  | 28           | 483   | 50.22        | 1.17  | 31           | 431   | 44.84        | 1.31  | 37              | 368   | 38.30        | 1.53  | 39              | 345   | 35.87           | 1.63  | 46              | 291   | 30.22           | 1.94  | 33              | 409   | 42.55           | 0.92  | 39              | 350   | 36.34           | 1.08  | 41              | 327   | 34.04           | 1.15  | 49              | 276   | 28.67           | 1.36  | 46              | 295   | 30.64           | 1.28  | 48              | 280   | 29.11           | 1.34  | 55              | 246   | 25.54           | 1.53  | 65              | 208   | 21.66           | 1.80  | 72              | 188   | 19.56           | 2.0   | 81              | 166   | 17.21           | 2.3   | 86              | 156   | 16.25           | 2.4   | 101             | 133   | 13.83           | 2.8   | 68              | 198   | 20.57           | 0.95  | 73              | 185   | 19.27           | 1.01  | 82              | 164   | 17.03           | 1.15  | 98              | 138   | 14.33           | 1.36  | 109             | 124   | 12.87           | 1.52  | 126             | 107   | 11.08           | 1.68  | 134             | 100   | 10.42           | 1.74  | 156             | 86    | 8.97            | 1.91  | 175             | 77    | 8.01            | 2.1   | 206             | 66    | 6.81            | 2.0   | 229             | 59    | 6.11            | 2.2   | 266             | 51    | 5.27            | 2.3   | 283             | 48    | 4.95            | 2.4   | 329             | 41    | 4.26            | 2.5   | 367             | 37    | 3.81            | 2.7   | <b>2.2kW</b>    |       |                 |       |                 |       | <b>2.2kW</b>    |       |                 |       |                 |       | 1.00            | 18699 | 1420            | 0.90  | F 157R97        | 4     | 1.00            | 18699 |                 |       | 1420            | 0.90  |                 |       | 1.09            | 17224 |                 |       | 1308            | 0.98  |                 |       | 1.21            | 15394 |                 |       | 1169            | 1.10  |                 |       | 1.49            | 12549 |                 |       | 953             | 1.35  |                 |       | 1.68            | 11127 |                 |       | 845             | 1.52  |                 |       | 1.86            | 10061 |                 |       | 764             | 1.68  |                 |       | 2.1             | 8954  |                 |       | 680             | 1.89  |                 |       | 2.5             | 7585  |                 |       | 576             | 2.2   | 3.2             | 5873  | 446             | 2.9   | 4.7             | 3964  | 301             | 4.3   | 5.2             | 3582  | 272             | 4.7   | 6.1             | 3042  | 231             | 5.6   | 7.2             | 2581  | 196             | 6.6   | 1.31            | 14288 | 1085            | 0.79  | 1.52            | 12339 | 937             | 0.91  | 1.72            | 10890 | 827             | 1.04  | 1.94            | 9652  | 733             | 1.17  | <b>F 127R77</b> |       |                 |       |                 |       | <b>F 127R77</b> |       |                 |       |                 |       |                 |       |                 |       |                 |       |                 |       |                 |       |                 |       |                 |       |                 |       |                 |       |                 |       |                 |       |                 |       |                 |       |                 |       |                 |       |                 |       |                 |       |                 |      |                 |       |                 |       |                 |       |                 |       |                 |       |                 |       |                 |       |                 |       |                 |       |                 |       |                 |       |                 |       |                 |       |                 |       |                 |       |                 |       |                 |       |                 |       |                 |       |                 |       |                 |       |                 |       |                 |       |                 |       |                 |       |                 |       |                 |       |                 |       |                 |       |                 |       |                 |       |                 |       |                 |       |                 |       |                 |       |                 |       |                 |       |                 |       |                 |      |                 |      |                 |      |                 |  |                 |  |                 |  |                 |  |  |  |  |  |  |  |  |  |  |  |  |  |  |  |  |  |
| 12              | 1101       | 114.45   | 1.28                   | 13              | 1043    | 108.46          | 1.35       | 15           | 913                    | 94.93           | 1.54    | 16           | 823  | 85.52           | 1.71  | 19              | 722   | 75.02           | 1.95  | 19              | 695   | 72.29        | 2.0   | 21              | 637   | 66.28           | 2.2   | 24           | 559   | 58.16        | 2.5   | 25              | 530   | 55.12        | 2.7   | 29           | 464   | 48.24           | 3.0   | 32           | 418   | 43.46        | 3.4   | 37              | 367   | 38.12        | 3.8   | 38           | 352   | 36.52           | 3.0   | 44           | 303   | 31.45        | 4.3   | 15              | 871   | 90.59        | 0.88  | 18           | 750   | 77.97           | 1.03  | 21           | 636   | 66.13        | 1.21  | 23              | 574   | 59.70        | 1.34  | 27           | 505   | 52.53           | 1.53  | 28           | 477   | 49.60        | 1.62  | 33              | 406   | 42.23        | 1.90  | 36           | 369   | 38.38           | 1.99  | 39           | 349   | 36.30        | 2.2   | 44              | 309   | 32.08        | 2.5   | 51           | 264   | 27.41           | 2.9   | 56           | 242   | 25.13        | 3.2   | 24           | 568   | 59.10        | 0.99  | 28           | 483   | 50.22        | 1.17  | 31           | 431   | 44.84        | 1.31  | 37           | 368   | 38.30        | 1.53  | 39              | 345   | 35.87        | 1.63  | 46              | 291   | 30.22           | 1.94  | 33              | 409   | 42.55           | 0.92  | 39              | 350   | 36.34           | 1.08  | 41              | 327   | 34.04           | 1.15  | 49              | 276   | 28.67           | 1.36  | 46              | 295   | 30.64           | 1.28  | 48              | 280   | 29.11           | 1.34  | 55              | 246   | 25.54           | 1.53  | 65              | 208   | 21.66           | 1.80  | 72              | 188   | 19.56           | 2.0   | 81              | 166   | 17.21           | 2.3   | 86              | 156   | 16.25           | 2.4   | 101             | 133   | 13.83           | 2.8   | 68              | 198   | 20.57           | 0.95  | 73              | 185   | 19.27           | 1.01  | 82              | 164   | 17.03           | 1.15  | 98              | 138   | 14.33           | 1.36  | 109             | 124   | 12.87           | 1.52  | 126             | 107   | 11.08           | 1.68  | 134             | 100   | 10.42           | 1.74  | 156             | 86    | 8.97            | 1.91  | 175             | 77    | 8.01            | 2.1   | 206             | 66    | 6.81            | 2.0   | 229             | 59    | 6.11            | 2.2   | 266             | 51    | 5.27            | 2.3   | 283             | 48    | 4.95            | 2.4   | 329             | 41    | 4.26            | 2.5   | 367             | 37    | 3.81            | 2.7   | <b>2.2kW</b>    |       |                 |       |                 |       | <b>2.2kW</b>    |       |                 |       |                 |       | 1.00            | 18699 | 1420            | 0.90  | F 157R97        | 4     | 1.00            | 18699 |                 |       | 1420            | 0.90  |                 |       | 1.09            | 17224 |                 |       | 1308            | 0.98  |                 |       | 1.21            | 15394 |                 |       | 1169            | 1.10  |                 |       | 1.49            | 12549 |                 |       | 953             | 1.35  |                 |       | 1.68            | 11127 |                 |       | 845             | 1.52  |                 |       | 1.86            | 10061 |                 |       | 764             | 1.68  |                 |       | 2.1             | 8954  |                 |       | 680             | 1.89  |                 |       | 2.5             | 7585  |                 |       | 576             | 2.2   | 3.2             | 5873  | 446             | 2.9   | 4.7             | 3964  | 301             | 4.3   | 5.2             | 3582  | 272             | 4.7   | 6.1             | 3042  | 231             | 5.6   | 7.2             | 2581  | 196             | 6.6   | 1.31            | 14288 | 1085            | 0.79  | 1.52            | 12339 | 937             | 0.91  | 1.72            | 10890 | 827             | 1.04  | 1.94            | 9652  | 733             | 1.17  | <b>F 127R77</b> |       |                 |       |                 |       | <b>F 127R77</b> |       |                 |       |                 |       |                 |       |                 |       |                 |       |                 |       |                 |       |                 |       |                 |       |                 |       |                 |       |                 |       |                 |       |                 |       |                 |       |                 |       |                 |       |                 |       |                 |       |                 |       |                 |       |                 |      |                 |       |                 |       |                 |       |                 |       |                 |       |                 |       |                 |       |                 |       |                 |       |                 |       |                 |       |                 |       |                 |       |                 |       |                 |       |                 |       |                 |       |                 |       |                 |       |                 |       |                 |       |                 |       |                 |       |                 |       |                 |       |                 |       |                 |       |                 |       |                 |       |                 |       |                 |       |                 |       |                 |       |                 |       |                 |       |                 |       |                 |       |                 |       |                 |      |                 |      |                 |      |                 |  |                 |  |                 |  |                 |  |  |  |  |  |  |  |  |  |  |  |  |  |  |  |  |  |
| 13              | 1043       | 108.46   | 1.35                   | 15              | 913     | 94.93           | 1.54       | 16           | 823                    | 85.52           | 1.71    | 19           | 722  | 75.02           | 1.95  | 19              | 695   | 72.29           | 2.0   | 21              | 637   | 66.28        | 2.2   | 24              | 559   | 58.16           | 2.5   | 25           | 530   | 55.12        | 2.7   | 29              | 464   | 48.24        | 3.0   | 32           | 418   | 43.46           | 3.4   | 37           | 367   | 38.12        | 3.8   | 38              | 352   | 36.52        | 3.0   | 44           | 303   | 31.45           | 4.3   | 15           | 871   | 90.59        | 0.88  | 18              | 750   | 77.97        | 1.03  | 21           | 636   | 66.13           | 1.21  | 23           | 574   | 59.70        | 1.34  | 27              | 505   | 52.53        | 1.53  | 28           | 477   | 49.60           | 1.62  | 33           | 406   | 42.23        | 1.90  | 36              | 369   | 38.38        | 1.99  | 39           | 349   | 36.30           | 2.2   | 44           | 309   | 32.08        | 2.5   | 51              | 264   | 27.41        | 2.9   | 56           | 242   | 25.13           | 3.2   | 24           | 568   | 59.10        | 0.99  | 28           | 483   | 50.22        | 1.17  | 31           | 431   | 44.84        | 1.31  | 37           | 368   | 38.30        | 1.53  | 39           | 345   | 35.87        | 1.63  | 46              | 291   | 30.22        | 1.94  | 33              | 409   | 42.55           | 0.92  | 39              | 350   | 36.34           | 1.08  | 41              | 327   | 34.04           | 1.15  | 49              | 276   | 28.67           | 1.36  | 46              | 295   | 30.64           | 1.28  | 48              | 280   | 29.11           | 1.34  | 55              | 246   | 25.54           | 1.53  | 65              | 208   | 21.66           | 1.80  | 72              | 188   | 19.56           | 2.0   | 81              | 166   | 17.21           | 2.3   | 86              | 156   | 16.25           | 2.4   | 101             | 133   | 13.83           | 2.8   | 68              | 198   | 20.57           | 0.95  | 73              | 185   | 19.27           | 1.01  | 82              | 164   | 17.03           | 1.15  | 98              | 138   | 14.33           | 1.36  | 109             | 124   | 12.87           | 1.52  | 126             | 107   | 11.08           | 1.68  | 134             | 100   | 10.42           | 1.74  | 156             | 86    | 8.97            | 1.91  | 175             | 77    | 8.01            | 2.1   | 206             | 66    | 6.81            | 2.0   | 229             | 59    | 6.11            | 2.2   | 266             | 51    | 5.27            | 2.3   | 283             | 48    | 4.95            | 2.4   | 329             | 41    | 4.26            | 2.5   | 367             | 37    | 3.81            | 2.7   | <b>2.2kW</b>    |       |                 |       |                 |       | <b>2.2kW</b>    |       |                 |       |                 |       | 1.00            | 18699 | 1420            | 0.90  | F 157R97        | 4     | 1.00            | 18699 |                 |       | 1420            | 0.90  |                 |       | 1.09            | 17224 |                 |       | 1308            | 0.98  |                 |       | 1.21            | 15394 |                 |       | 1169            | 1.10  |                 |       | 1.49            | 12549 |                 |       | 953             | 1.35  |                 |       | 1.68            | 11127 |                 |       | 845             | 1.52  |                 |       | 1.86            | 10061 |                 |       | 764             | 1.68  |                 |       | 2.1             | 8954  |                 |       | 680             | 1.89  |                 |       | 2.5             | 7585  |                 |       | 576             | 2.2   | 3.2             | 5873  | 446             | 2.9   | 4.7             | 3964  | 301             | 4.3   | 5.2             | 3582  | 272             | 4.7   | 6.1             | 3042  | 231             | 5.6   | 7.2             | 2581  | 196             | 6.6   | 1.31            | 14288 | 1085            | 0.79  | 1.52            | 12339 | 937             | 0.91  | 1.72            | 10890 | 827             | 1.04  | 1.94            | 9652  | 733             | 1.17  | <b>F 127R77</b> |       |                 |       |                 |       | <b>F 127R77</b> |       |                 |       |                 |       |                 |       |                 |       |                 |       |                 |       |                 |       |                 |       |                 |       |                 |       |                 |       |                 |       |                 |       |                 |       |                 |       |                 |       |                 |       |                 |       |                 |       |                 |       |                 |       |                 |       |                 |       |                 |      |                 |       |                 |       |                 |       |                 |       |                 |       |                 |       |                 |       |                 |       |                 |       |                 |       |                 |       |                 |       |                 |       |                 |       |                 |       |                 |       |                 |       |                 |       |                 |       |                 |       |                 |       |                 |       |                 |       |                 |       |                 |       |                 |       |                 |       |                 |       |                 |       |                 |       |                 |       |                 |       |                 |       |                 |       |                 |       |                 |       |                 |       |                 |       |                 |      |                 |      |                 |      |                 |  |                 |  |                 |  |                 |  |  |  |  |  |  |  |  |  |  |  |  |  |  |  |  |  |
| 15              | 913        | 94.93    | 1.54                   | 16              | 823     | 85.52           | 1.71       | 19           | 722                    | 75.02           | 1.95    | 19           | 695  | 72.29           | 2.0   | 21              | 637   | 66.28           | 2.2   | 24              | 559   | 58.16        | 2.5   | 25              | 530   | 55.12           | 2.7   | 29           | 464   | 48.24        | 3.0   | 32              | 418   | 43.46        | 3.4   | 37           | 367   | 38.12           | 3.8   | 38           | 352   | 36.52        | 3.0   | 44              | 303   | 31.45        | 4.3   | 15           | 871   | 90.59           | 0.88  | 18           | 750   | 77.97        | 1.03  | 21              | 636   | 66.13        | 1.21  | 23           | 574   | 59.70           | 1.34  | 27           | 505   | 52.53        | 1.53  | 28              | 477   | 49.60        | 1.62  | 33           | 406   | 42.23           | 1.90  | 36           | 369   | 38.38        | 1.99  | 39              | 349   | 36.30        | 2.2   | 44           | 309   | 32.08           | 2.5   | 51           | 264   | 27.41        | 2.9   | 56              | 242   | 25.13        | 3.2   | 24           | 568   | 59.10           | 0.99  | 28           | 483   | 50.22        | 1.17  | 31           | 431   | 44.84        | 1.31  | 37           | 368   | 38.30        | 1.53  | 39           | 345   | 35.87        | 1.63  | 46           | 291   | 30.22        | 1.94  | 33              | 409   | 42.55        | 0.92  | 39              | 350   | 36.34           | 1.08  | 41              | 327   | 34.04           | 1.15  | 49              | 276   | 28.67           | 1.36  | 46              | 295   | 30.64           | 1.28  | 48              | 280   | 29.11           | 1.34  | 55              | 246   | 25.54           | 1.53  | 65              | 208   | 21.66           | 1.80  | 72              | 188   | 19.56           | 2.0   | 81              | 166   | 17.21           | 2.3   | 86              | 156   | 16.25           | 2.4   | 101             | 133   | 13.83           | 2.8   | 68              | 198   | 20.57           | 0.95  | 73              | 185   | 19.27           | 1.01  | 82              | 164   | 17.03           | 1.15  | 98              | 138   | 14.33           | 1.36  | 109             | 124   | 12.87           | 1.52  | 126             | 107   | 11.08           | 1.68  | 134             | 100   | 10.42           | 1.74  | 156             | 86    | 8.97            | 1.91  | 175             | 77    | 8.01            | 2.1   | 206             | 66    | 6.81            | 2.0   | 229             | 59    | 6.11            | 2.2   | 266             | 51    | 5.27            | 2.3   | 283             | 48    | 4.95            | 2.4   | 329             | 41    | 4.26            | 2.5   | 367             | 37    | 3.81            | 2.7   | <b>2.2kW</b>    |       |                 |       |                 |       | <b>2.2kW</b>    |       |                 |       |                 |       | 1.00            | 18699 | 1420            | 0.90  | F 157R97        | 4     | 1.00            | 18699 |                 |       | 1420            | 0.90  |                 |       | 1.09            | 17224 |                 |       | 1308            | 0.98  |                 |       | 1.21            | 15394 |                 |       | 1169            | 1.10  |                 |       | 1.49            | 12549 |                 |       | 953             | 1.35  |                 |       | 1.68            | 11127 |                 |       | 845             | 1.52  |                 |       | 1.86            | 10061 |                 |       | 764             | 1.68  |                 |       | 2.1             | 8954  |                 |       | 680             | 1.89  |                 |       | 2.5             | 7585  |                 |       | 576             | 2.2   | 3.2             | 5873  | 446             | 2.9   | 4.7             | 3964  | 301             | 4.3   | 5.2             | 3582  | 272             | 4.7   | 6.1             | 3042  | 231             | 5.6   | 7.2             | 2581  | 196             | 6.6   | 1.31            | 14288 | 1085            | 0.79  | 1.52            | 12339 | 937             | 0.91  | 1.72            | 10890 | 827             | 1.04  | 1.94            | 9652  | 733             | 1.17  | <b>F 127R77</b> |       |                 |       |                 |       | <b>F 127R77</b> |       |                 |       |                 |       |                 |       |                 |       |                 |       |                 |       |                 |       |                 |       |                 |       |                 |       |                 |       |                 |       |                 |       |                 |       |                 |       |                 |       |                 |       |                 |       |                 |       |                 |       |                 |       |                 |       |                 |       |                 |       |                 |       |                 |      |                 |       |                 |       |                 |       |                 |       |                 |       |                 |       |                 |       |                 |       |                 |       |                 |       |                 |       |                 |       |                 |       |                 |       |                 |       |                 |       |                 |       |                 |       |                 |       |                 |       |                 |       |                 |       |                 |       |                 |       |                 |       |                 |       |                 |       |                 |       |                 |       |                 |       |                 |       |                 |       |                 |       |                 |       |                 |       |                 |       |                 |       |                 |       |                 |      |                 |      |                 |      |                 |  |                 |  |                 |  |                 |  |  |  |  |  |  |  |  |  |  |  |  |  |  |  |  |  |
| 16              | 823        | 85.52    | 1.71                   | 19              | 722     | 75.02           | 1.95       | 19           | 695                    | 72.29           | 2.0     | 21           | 637  | 66.28           | 2.2   | 24              | 559   | 58.16           | 2.5   | 25              | 530   | 55.12        | 2.7   | 29              | 464   | 48.24           | 3.0   | 32           | 418   | 43.46        | 3.4   | 37              | 367   | 38.12        | 3.8   | 38           | 352   | 36.52           | 3.0   | 44           | 303   | 31.45        | 4.3   | 15              | 871   | 90.59        | 0.88  | 18           | 750   | 77.97           | 1.03  | 21           | 636   | 66.13        | 1.21  | 23              | 574   | 59.70        | 1.34  | 27           | 505   | 52.53           | 1.53  | 28           | 477   | 49.60        | 1.62  | 33              | 406   | 42.23        | 1.90  | 36           | 369   | 38.38           | 1.99  | 39           | 349   | 36.30        | 2.2   | 44              | 309   | 32.08        | 2.5   | 51           | 264   | 27.41           | 2.9   | 56           | 242   | 25.13        | 3.2   | 24              | 568   | 59.10        | 0.99  | 28           | 483   | 50.22           | 1.17  | 31           | 431   | 44.84        | 1.31  | 37           | 368   | 38.30        | 1.53  | 39           | 345   | 35.87        | 1.63  | 46           | 291   | 30.22        | 1.94  | 33           | 409   | 42.55        | 0.92  | 39              | 350   | 36.34        | 1.08  | 41              | 327   | 34.04           | 1.15  | 49              | 276   | 28.67           | 1.36  | 46              | 295   | 30.64           | 1.28  | 48              | 280   | 29.11           | 1.34  | 55              | 246   | 25.54           | 1.53  | 65              | 208   | 21.66           | 1.80  | 72              | 188   | 19.56           | 2.0   | 81              | 166   | 17.21           | 2.3   | 86              | 156   | 16.25           | 2.4   | 101             | 133   | 13.83           | 2.8   | 68              | 198   | 20.57           | 0.95  | 73              | 185   | 19.27           | 1.01  | 82              | 164   | 17.03           | 1.15  | 98              | 138   | 14.33           | 1.36  | 109             | 124   | 12.87           | 1.52  | 126             | 107   | 11.08           | 1.68  | 134             | 100   | 10.42           | 1.74  | 156             | 86    | 8.97            | 1.91  | 175             | 77    | 8.01            | 2.1   | 206             | 66    | 6.81            | 2.0   | 229             | 59    | 6.11            | 2.2   | 266             | 51    | 5.27            | 2.3   | 283             | 48    | 4.95            | 2.4   | 329             | 41    | 4.26            | 2.5   | 367             | 37    | 3.81            | 2.7   | <b>2.2kW</b>    |       |                 |       |                 |       | <b>2.2kW</b>    |       |                 |       |                 |       | 1.00            | 18699 | 1420            | 0.90  | F 157R97        | 4     | 1.00            | 18699 |                 |       | 1420            | 0.90  |                 |       | 1.09            | 17224 |                 |       | 1308            | 0.98  |                 |       | 1.21            | 15394 |                 |       | 1169            | 1.10  |                 |       | 1.49            | 12549 |                 |       | 953             | 1.35  |                 |       | 1.68            | 11127 |                 |       | 845             | 1.52  |                 |       | 1.86            | 10061 |                 |       | 764             | 1.68  |                 |       | 2.1             | 8954  |                 |       | 680             | 1.89  |                 |       | 2.5             | 7585  |                 |       | 576             | 2.2   | 3.2             | 5873  | 446             | 2.9   | 4.7             | 3964  | 301             | 4.3   | 5.2             | 3582  | 272             | 4.7   | 6.1             | 3042  | 231             | 5.6   | 7.2             | 2581  | 196             | 6.6   | 1.31            | 14288 | 1085            | 0.79  | 1.52            | 12339 | 937             | 0.91  | 1.72            | 10890 | 827             | 1.04  | 1.94            | 9652  | 733             | 1.17  | <b>F 127R77</b> |       |                 |       |                 |       | <b>F 127R77</b> |       |                 |       |                 |       |                 |       |                 |       |                 |       |                 |       |                 |       |                 |       |                 |       |                 |       |                 |       |                 |       |                 |       |                 |       |                 |       |                 |       |                 |       |                 |       |                 |       |                 |       |                 |       |                 |       |                 |       |                 |       |                 |       |                 |       |                 |       |                 |      |                 |       |                 |       |                 |       |                 |       |                 |       |                 |       |                 |       |                 |       |                 |       |                 |       |                 |       |                 |       |                 |       |                 |       |                 |       |                 |       |                 |       |                 |       |                 |       |                 |       |                 |       |                 |       |                 |       |                 |       |                 |       |                 |       |                 |       |                 |       |                 |       |                 |       |                 |       |                 |       |                 |       |                 |       |                 |       |                 |       |                 |       |                 |       |                 |      |                 |      |                 |      |                 |  |                 |  |                 |  |                 |  |  |  |  |  |  |  |  |  |  |  |  |  |  |  |  |  |
| 19              | 722        | 75.02    | 1.95                   | 19              | 695     | 72.29           | 2.0        | 21           | 637                    | 66.28           | 2.2     | 24           | 559  | 58.16           | 2.5   | 25              | 530   | 55.12           | 2.7   | 29              | 464   | 48.24        | 3.0   | 32              | 418   | 43.46           | 3.4   | 37           | 367   | 38.12        | 3.8   | 38              | 352   | 36.52        | 3.0   | 44           | 303   | 31.45           | 4.3   | 15           | 871   | 90.59        | 0.88  | 18              | 750   | 77.97        | 1.03  | 21           | 636   | 66.13           | 1.21  | 23           | 574   | 59.70        | 1.34  | 27              | 505   | 52.53        | 1.53  | 28           | 477   | 49.60           | 1.62  | 33           | 406   | 42.23        | 1.90  | 36              | 369   | 38.38        | 1.99  | 39           | 349   | 36.30           | 2.2   | 44           | 309   | 32.08        | 2.5   | 51              | 264   | 27.41        | 2.9   | 56           | 242   | 25.13           | 3.2   | 24           | 568   | 59.10        | 0.99  | 28              | 483   | 50.22        | 1.17  | 31           | 431   | 44.84           | 1.31  | 37           | 368   | 38.30        | 1.53  | 39           | 345   | 35.87        | 1.63  | 46           | 291   | 30.22        | 1.94  | 33           | 409   | 42.55        | 0.92  | 39           | 350   | 36.34        | 1.08  | 41              | 327   | 34.04        | 1.15  | 49              | 276   | 28.67           | 1.36  | 46              | 295   | 30.64           | 1.28  | 48              | 280   | 29.11           | 1.34  | 55              | 246   | 25.54           | 1.53  | 65              | 208   | 21.66           | 1.80  | 72              | 188   | 19.56           | 2.0   | 81              | 166   | 17.21           | 2.3   | 86              | 156   | 16.25           | 2.4   | 101             | 133   | 13.83           | 2.8   | 68              | 198   | 20.57           | 0.95  | 73              | 185   | 19.27           | 1.01  | 82              | 164   | 17.03           | 1.15  | 98              | 138   | 14.33           | 1.36  | 109             | 124   | 12.87           | 1.52  | 126             | 107   | 11.08           | 1.68  | 134             | 100   | 10.42           | 1.74  | 156             | 86    | 8.97            | 1.91  | 175             | 77    | 8.01            | 2.1   | 206             | 66    | 6.81            | 2.0   | 229             | 59    | 6.11            | 2.2   | 266             | 51    | 5.27            | 2.3   | 283             | 48    | 4.95            | 2.4   | 329             | 41    | 4.26            | 2.5   | 367             | 37    | 3.81            | 2.7   | <b>2.2kW</b>    |       |                 |       |                 |       | <b>2.2kW</b>    |       |                 |       |                 |       | 1.00            | 18699 | 1420            | 0.90  | F 157R97        | 4     | 1.00            | 18699 |                 |       | 1420            | 0.90  |                 |       | 1.09            | 17224 |                 |       | 1308            | 0.98  |                 |       | 1.21            | 15394 |                 |       | 1169            | 1.10  |                 |       | 1.49            | 12549 |                 |       | 953             | 1.35  |                 |       | 1.68            | 11127 |                 |       | 845             | 1.52  |                 |       | 1.86            | 10061 |                 |       | 764             | 1.68  |                 |       | 2.1             | 8954  |                 |       | 680             | 1.89  |                 |       | 2.5             | 7585  |                 |       | 576             | 2.2   | 3.2             | 5873  | 446             | 2.9   | 4.7             | 3964  | 301             | 4.3   | 5.2             | 3582  | 272             | 4.7   | 6.1             | 3042  | 231             | 5.6   | 7.2             | 2581  | 196             | 6.6   | 1.31            | 14288 | 1085            | 0.79  | 1.52            | 12339 | 937             | 0.91  | 1.72            | 10890 | 827             | 1.04  | 1.94            | 9652  | 733             | 1.17  | <b>F 127R77</b> |       |                 |       |                 |       | <b>F 127R77</b> |       |                 |       |                 |       |                 |       |                 |       |                 |       |                 |       |                 |       |                 |       |                 |       |                 |       |                 |       |                 |       |                 |       |                 |       |                 |       |                 |       |                 |       |                 |       |                 |       |                 |       |                 |       |                 |       |                 |       |                 |       |                 |       |                 |       |                 |       |                 |       |                 |       |                 |      |                 |       |                 |       |                 |       |                 |       |                 |       |                 |       |                 |       |                 |       |                 |       |                 |       |                 |       |                 |       |                 |       |                 |       |                 |       |                 |       |                 |       |                 |       |                 |       |                 |       |                 |       |                 |       |                 |       |                 |       |                 |       |                 |       |                 |       |                 |       |                 |       |                 |       |                 |       |                 |       |                 |       |                 |       |                 |       |                 |       |                 |       |                 |       |                 |      |                 |      |                 |      |                 |  |                 |  |                 |  |                 |  |  |  |  |  |  |  |  |  |  |  |  |  |  |  |  |  |
| 19              | 695        | 72.29    | 2.0                    | 21              | 637     | 66.28           | 2.2        | 24           | 559                    | 58.16           | 2.5     | 25           | 530  | 55.12           | 2.7   | 29              | 464   | 48.24           | 3.0   | 32              | 418   | 43.46        | 3.4   | 37              | 367   | 38.12           | 3.8   | 38           | 352   | 36.52        | 3.0   | 44              | 303   | 31.45        | 4.3   | 15           | 871   | 90.59           | 0.88  | 18           | 750   | 77.97        | 1.03  | 21              | 636   | 66.13        | 1.21  | 23           | 574   | 59.70           | 1.34  | 27           | 505   | 52.53        | 1.53  | 28              | 477   | 49.60        | 1.62  | 33           | 406   | 42.23           | 1.90  | 36           | 369   | 38.38        | 1.99  | 39              | 349   | 36.30        | 2.2   | 44           | 309   | 32.08           | 2.5   | 51           | 264   | 27.41        | 2.9   | 56              | 242   | 25.13        | 3.2   | 24           | 568   | 59.10           | 0.99  | 28           | 483   | 50.22        | 1.17  | 31              | 431   | 44.84        | 1.31  | 37           | 368   | 38.30           | 1.53  | 39           | 345   | 35.87        | 1.63  | 46           | 291   | 30.22        | 1.94  | 33           | 409   | 42.55        | 0.92  | 39           | 350   | 36.34        | 1.08  | 41           | 327   | 34.04        | 1.15  | 49              | 276   | 28.67        | 1.36  | 46              | 295   | 30.64           | 1.28  | 48              | 280   | 29.11           | 1.34  | 55              | 246   | 25.54           | 1.53  | 65              | 208   | 21.66           | 1.80  | 72              | 188   | 19.56           | 2.0   | 81              | 166   | 17.21           | 2.3   | 86              | 156   | 16.25           | 2.4   | 101             | 133   | 13.83           | 2.8   | 68              | 198   | 20.57           | 0.95  | 73              | 185   | 19.27           | 1.01  | 82              | 164   | 17.03           | 1.15  | 98              | 138   | 14.33           | 1.36  | 109             | 124   | 12.87           | 1.52  | 126             | 107   | 11.08           | 1.68  | 134             | 100   | 10.42           | 1.74  | 156             | 86    | 8.97            | 1.91  | 175             | 77    | 8.01            | 2.1   | 206             | 66    | 6.81            | 2.0   | 229             | 59    | 6.11            | 2.2   | 266             | 51    | 5.27            | 2.3   | 283             | 48    | 4.95            | 2.4   | 329             | 41    | 4.26            | 2.5   | 367             | 37    | 3.81            | 2.7   | <b>2.2kW</b>    |       |                 |       |                 |       | <b>2.2kW</b>    |       |                 |       |                 |       | 1.00            | 18699 | 1420            | 0.90  | F 157R97        | 4     | 1.00            | 18699 |                 |       | 1420            | 0.90  |                 |       | 1.09            | 17224 |                 |       | 1308            | 0.98  |                 |       | 1.21            | 15394 |                 |       | 1169            | 1.10  |                 |       | 1.49            | 12549 |                 |       | 953             | 1.35  |                 |       | 1.68            | 11127 |                 |       | 845             | 1.52  |                 |       | 1.86            | 10061 |                 |       | 764             | 1.68  |                 |       | 2.1             | 8954  |                 |       | 680             | 1.89  |                 |       | 2.5             | 7585  |                 |       | 576             | 2.2   | 3.2             | 5873  | 446             | 2.9   | 4.7             | 3964  | 301             | 4.3   | 5.2             | 3582  | 272             | 4.7   | 6.1             | 3042  | 231             | 5.6   | 7.2             | 2581  | 196             | 6.6   | 1.31            | 14288 | 1085            | 0.79  | 1.52            | 12339 | 937             | 0.91  | 1.72            | 10890 | 827             | 1.04  | 1.94            | 9652  | 733             | 1.17  | <b>F 127R77</b> |       |                 |       |                 |       | <b>F 127R77</b> |       |                 |       |                 |       |                 |       |                 |       |                 |       |                 |       |                 |       |                 |       |                 |       |                 |       |                 |       |                 |       |                 |       |                 |       |                 |       |                 |       |                 |       |                 |       |                 |       |                 |       |                 |       |                 |       |                 |       |                 |       |                 |       |                 |       |                 |       |                 |       |                 |       |                 |       |                 |       |                 |      |                 |       |                 |       |                 |       |                 |       |                 |       |                 |       |                 |       |                 |       |                 |       |                 |       |                 |       |                 |       |                 |       |                 |       |                 |       |                 |       |                 |       |                 |       |                 |       |                 |       |                 |       |                 |       |                 |       |                 |       |                 |       |                 |       |                 |       |                 |       |                 |       |                 |       |                 |       |                 |       |                 |       |                 |       |                 |       |                 |       |                 |       |                 |       |                 |      |                 |      |                 |      |                 |  |                 |  |                 |  |                 |  |  |  |  |  |  |  |  |  |  |  |  |  |  |  |  |  |
| 21              | 637        | 66.28    | 2.2                    | 24              | 559     | 58.16           | 2.5        | 25           | 530                    | 55.12           | 2.7     | 29           | 464  | 48.24           | 3.0   | 32              | 418   | 43.46           | 3.4   | 37              | 367   | 38.12        | 3.8   | 38              | 352   | 36.52           | 3.0   | 44           | 303   | 31.45        | 4.3   | 15              | 871   | 90.59        | 0.88  | 18           | 750   | 77.97           | 1.03  | 21           | 636   | 66.13        | 1.21  | 23              | 574   | 59.70        | 1.34  | 27           | 505   | 52.53           | 1.53  | 28           | 477   | 49.60        | 1.62  | 33              | 406   | 42.23        | 1.90  | 36           | 369   | 38.38           | 1.99  | 39           | 349   | 36.30        | 2.2   | 44              | 309   | 32.08        | 2.5   | 51           | 264   | 27.41           | 2.9   | 56           | 242   | 25.13        | 3.2   | 24              | 568   | 59.10        | 0.99  | 28           | 483   | 50.22           | 1.17  | 31           | 431   | 44.84        | 1.31  | 37              | 368   | 38.30        | 1.53  | 39           | 345   | 35.87           | 1.63  | 46           | 291   | 30.22        | 1.94  | 33           | 409   | 42.55        | 0.92  | 39           | 350   | 36.34        | 1.08  | 41           | 327   | 34.04        | 1.15  | 49           | 276   | 28.67        | 1.36  | 46              | 295   | 30.64        | 1.28  | 48              | 280   | 29.11           | 1.34  | 55              | 246   | 25.54           | 1.53  | 65              | 208   | 21.66           | 1.80  | 72              | 188   | 19.56           | 2.0   | 81              | 166   | 17.21           | 2.3   | 86              | 156   | 16.25           | 2.4   | 101             | 133   | 13.83           | 2.8   | 68              | 198   | 20.57           | 0.95  | 73              | 185   | 19.27           | 1.01  | 82              | 164   | 17.03           | 1.15  | 98              | 138   | 14.33           | 1.36  | 109             | 124   | 12.87           | 1.52  | 126             | 107   | 11.08           | 1.68  | 134             | 100   | 10.42           | 1.74  | 156             | 86    | 8.97            | 1.91  | 175             | 77    | 8.01            | 2.1   | 206             | 66    | 6.81            | 2.0   | 229             | 59    | 6.11            | 2.2   | 266             | 51    | 5.27            | 2.3   | 283             | 48    | 4.95            | 2.4   | 329             | 41    | 4.26            | 2.5   | 367             | 37    | 3.81            | 2.7   | <b>2.2kW</b>    |       |                 |       |                 |       | <b>2.2kW</b>    |       |                 |       |                 |       | 1.00            | 18699 | 1420            | 0.90  | F 157R97        | 4     | 1.00            | 18699 |                 |       | 1420            | 0.90  |                 |       | 1.09            | 17224 |                 |       | 1308            | 0.98  |                 |       | 1.21            | 15394 |                 |       | 1169            | 1.10  |                 |       | 1.49            | 12549 |                 |       | 953             | 1.35  |                 |       | 1.68            | 11127 |                 |       | 845             | 1.52  |                 |       | 1.86            | 10061 |                 |       | 764             | 1.68  |                 |       | 2.1             | 8954  |                 |       | 680             | 1.89  |                 |       | 2.5             | 7585  |                 |       | 576             | 2.2   | 3.2             | 5873  | 446             | 2.9   | 4.7             | 3964  | 301             | 4.3   | 5.2             | 3582  | 272             | 4.7   | 6.1             | 3042  | 231             | 5.6   | 7.2             | 2581  | 196             | 6.6   | 1.31            | 14288 | 1085            | 0.79  | 1.52            | 12339 | 937             | 0.91  | 1.72            | 10890 | 827             | 1.04  | 1.94            | 9652  | 733             | 1.17  | <b>F 127R77</b> |       |                 |       |                 |       | <b>F 127R77</b> |       |                 |       |                 |       |                 |       |                 |       |                 |       |                 |       |                 |       |                 |       |                 |       |                 |       |                 |       |                 |       |                 |       |                 |       |                 |       |                 |       |                 |       |                 |       |                 |       |                 |       |                 |       |                 |       |                 |       |                 |       |                 |       |                 |       |                 |       |                 |       |                 |       |                 |       |                 |       |                 |       |                 |       |                 |      |                 |       |                 |       |                 |       |                 |       |                 |       |                 |       |                 |       |                 |       |                 |       |                 |       |                 |       |                 |       |                 |       |                 |       |                 |       |                 |       |                 |       |                 |       |                 |       |                 |       |                 |       |                 |       |                 |       |                 |       |                 |       |                 |       |                 |       |                 |       |                 |       |                 |       |                 |       |                 |       |                 |       |                 |       |                 |       |                 |       |                 |       |                 |       |                 |      |                 |      |                 |      |                 |  |                 |  |                 |  |                 |  |  |  |  |  |  |  |  |  |  |  |  |  |  |  |  |  |
| 24              | 559        | 58.16    | 2.5                    | 25              | 530     | 55.12           | 2.7        | 29           | 464                    | 48.24           | 3.0     | 32           | 418  | 43.46           | 3.4   | 37              | 367   | 38.12           | 3.8   | 38              | 352   | 36.52        | 3.0   | 44              | 303   | 31.45           | 4.3   | 15           | 871   | 90.59        | 0.88  | 18              | 750   | 77.97        | 1.03  | 21           | 636   | 66.13           | 1.21  | 23           | 574   | 59.70        | 1.34  | 27              | 505   | 52.53        | 1.53  | 28           | 477   | 49.60           | 1.62  | 33           | 406   | 42.23        | 1.90  | 36              | 369   | 38.38        | 1.99  | 39           | 349   | 36.30           | 2.2   | 44           | 309   | 32.08        | 2.5   | 51              | 264   | 27.41        | 2.9   | 56           | 242   | 25.13           | 3.2   | 24           | 568   | 59.10        | 0.99  | 28              | 483   | 50.22        | 1.17  | 31           | 431   | 44.84           | 1.31  | 37           | 368   | 38.30        | 1.53  | 39              | 345   | 35.87        | 1.63  | 46           | 291   | 30.22           | 1.94  | 33           | 409   | 42.55        | 0.92  | 39           | 350   | 36.34        | 1.08  | 41           | 327   | 34.04        | 1.15  | 49           | 276   | 28.67        | 1.36  | 46           | 295   | 30.64        | 1.28  | 48              | 280   | 29.11        | 1.34  | 55              | 246   | 25.54           | 1.53  | 65              | 208   | 21.66           | 1.80  | 72              | 188   | 19.56           | 2.0   | 81              | 166   | 17.21           | 2.3   | 86              | 156   | 16.25           | 2.4   | 101             | 133   | 13.83           | 2.8   | 68              | 198   | 20.57           | 0.95  | 73              | 185   | 19.27           | 1.01  | 82              | 164   | 17.03           | 1.15  | 98              | 138   | 14.33           | 1.36  | 109             | 124   | 12.87           | 1.52  | 126             | 107   | 11.08           | 1.68  | 134             | 100   | 10.42           | 1.74  | 156             | 86    | 8.97            | 1.91  | 175             | 77    | 8.01            | 2.1   | 206             | 66    | 6.81            | 2.0   | 229             | 59    | 6.11            | 2.2   | 266             | 51    | 5.27            | 2.3   | 283             | 48    | 4.95            | 2.4   | 329             | 41    | 4.26            | 2.5   | 367             | 37    | 3.81            | 2.7   | <b>2.2kW</b>    |       |                 |       |                 |       | <b>2.2kW</b>    |       |                 |       |                 |       | 1.00            | 18699 | 1420            | 0.90  | F 157R97        | 4     | 1.00            | 18699 |                 |       | 1420            | 0.90  |                 |       | 1.09            | 17224 |                 |       | 1308            | 0.98  |                 |       | 1.21            | 15394 |                 |       | 1169            | 1.10  |                 |       | 1.49            | 12549 |                 |       | 953             | 1.35  |                 |       | 1.68            | 11127 |                 |       | 845             | 1.52  |                 |       | 1.86            | 10061 |                 |       | 764             | 1.68  |                 |       | 2.1             | 8954  |                 |       | 680             | 1.89  |                 |       | 2.5             | 7585  |                 |       | 576             | 2.2   | 3.2             | 5873  | 446             | 2.9   | 4.7             | 3964  | 301             | 4.3   | 5.2             | 3582  | 272             | 4.7   | 6.1             | 3042  | 231             | 5.6   | 7.2             | 2581  | 196             | 6.6   | 1.31            | 14288 | 1085            | 0.79  | 1.52            | 12339 | 937             | 0.91  | 1.72            | 10890 | 827             | 1.04  | 1.94            | 9652  | 733             | 1.17  | <b>F 127R77</b> |       |                 |       |                 |       | <b>F 127R77</b> |       |                 |       |                 |       |                 |       |                 |       |                 |       |                 |       |                 |       |                 |       |                 |       |                 |       |                 |       |                 |       |                 |       |                 |       |                 |       |                 |       |                 |       |                 |       |                 |       |                 |       |                 |       |                 |       |                 |       |                 |       |                 |       |                 |       |                 |       |                 |       |                 |       |                 |       |                 |       |                 |       |                 |       |                 |       |                 |       |                 |      |                 |       |                 |       |                 |       |                 |       |                 |       |                 |       |                 |       |                 |       |                 |       |                 |       |                 |       |                 |       |                 |       |                 |       |                 |       |                 |       |                 |       |                 |       |                 |       |                 |       |                 |       |                 |       |                 |       |                 |       |                 |       |                 |       |                 |       |                 |       |                 |       |                 |       |                 |       |                 |       |                 |       |                 |       |                 |       |                 |       |                 |       |                 |       |                 |      |                 |      |                 |      |                 |  |                 |  |                 |  |                 |  |  |  |  |  |  |  |  |  |  |  |  |  |  |  |  |  |
| 25              | 530        | 55.12    | 2.7                    | 29              | 464     | 48.24           | 3.0        | 32           | 418                    | 43.46           | 3.4     | 37           | 367  | 38.12           | 3.8   | 38              | 352   | 36.52           | 3.0   | 44              | 303   | 31.45        | 4.3   | 15              | 871   | 90.59           | 0.88  | 18           | 750   | 77.97        | 1.03  | 21              | 636   | 66.13        | 1.21  | 23           | 574   | 59.70           | 1.34  | 27           | 505   | 52.53        | 1.53  | 28              | 477   | 49.60        | 1.62  | 33           | 406   | 42.23           | 1.90  | 36           | 369   | 38.38        | 1.99  | 39              | 349   | 36.30        | 2.2   | 44           | 309   | 32.08           | 2.5   | 51           | 264   | 27.41        | 2.9   | 56              | 242   | 25.13        | 3.2   | 24           | 568   | 59.10           | 0.99  | 28           | 483   | 50.22        | 1.17  | 31              | 431   | 44.84        | 1.31  | 37           | 368   | 38.30           | 1.53  | 39           | 345   | 35.87        | 1.63  | 46              | 291   | 30.22        | 1.94  | 33           | 409   | 42.55           | 0.92  | 39           | 350   | 36.34        | 1.08  | 41           | 327   | 34.04        | 1.15  | 49           | 276   | 28.67        | 1.36  | 46           | 295   | 30.64        | 1.28  | 48           | 280   | 29.11        | 1.34  | 55              | 246   | 25.54        | 1.53  | 65              | 208   | 21.66           | 1.80  | 72              | 188   | 19.56           | 2.0   | 81              | 166   | 17.21           | 2.3   | 86              | 156   | 16.25           | 2.4   | 101             | 133   | 13.83           | 2.8   | 68              | 198   | 20.57           | 0.95  | 73              | 185   | 19.27           | 1.01  | 82              | 164   | 17.03           | 1.15  | 98              | 138   | 14.33           | 1.36  | 109             | 124   | 12.87           | 1.52  | 126             | 107   | 11.08           | 1.68  | 134             | 100   | 10.42           | 1.74  | 156             | 86    | 8.97            | 1.91  | 175             | 77    | 8.01            | 2.1   | 206             | 66    | 6.81            | 2.0   | 229             | 59    | 6.11            | 2.2   | 266             | 51    | 5.27            | 2.3   | 283             | 48    | 4.95            | 2.4   | 329             | 41    | 4.26            | 2.5   | 367             | 37    | 3.81            | 2.7   | <b>2.2kW</b>    |       |                 |       |                 |       | <b>2.2kW</b>    |       |                 |       |                 |       | 1.00            | 18699 | 1420            | 0.90  | F 157R97        | 4     | 1.00            | 18699 |                 |       | 1420            | 0.90  |                 |       | 1.09            | 17224 |                 |       | 1308            | 0.98  |                 |       | 1.21            | 15394 |                 |       | 1169            | 1.10  |                 |       | 1.49            | 12549 |                 |       | 953             | 1.35  |                 |       | 1.68            | 11127 |                 |       | 845             | 1.52  |                 |       | 1.86            | 10061 |                 |       | 764             | 1.68  |                 |       | 2.1             | 8954  |                 |       | 680             | 1.89  |                 |       | 2.5             | 7585  |                 |       | 576             | 2.2   | 3.2             | 5873  | 446             | 2.9   | 4.7             | 3964  | 301             | 4.3   | 5.2             | 3582  | 272             | 4.7   | 6.1             | 3042  | 231             | 5.6   | 7.2             | 2581  | 196             | 6.6   | 1.31            | 14288 | 1085            | 0.79  | 1.52            | 12339 | 937             | 0.91  | 1.72            | 10890 | 827             | 1.04  | 1.94            | 9652  | 733             | 1.17  | <b>F 127R77</b> |       |                 |       |                 |       | <b>F 127R77</b> |       |                 |       |                 |       |                 |       |                 |       |                 |       |                 |       |                 |       |                 |       |                 |       |                 |       |                 |       |                 |       |                 |       |                 |       |                 |       |                 |       |                 |       |                 |       |                 |       |                 |       |                 |       |                 |       |                 |       |                 |       |                 |       |                 |       |                 |       |                 |       |                 |       |                 |       |                 |       |                 |       |                 |       |                 |       |                 |       |                 |       |                 |       |                 |      |                 |       |                 |       |                 |       |                 |       |                 |       |                 |       |                 |       |                 |       |                 |       |                 |       |                 |       |                 |       |                 |       |                 |       |                 |       |                 |       |                 |       |                 |       |                 |       |                 |       |                 |       |                 |       |                 |       |                 |       |                 |       |                 |       |                 |       |                 |       |                 |       |                 |       |                 |       |                 |       |                 |       |                 |       |                 |       |                 |       |                 |       |                 |       |                 |      |                 |      |                 |      |                 |  |                 |  |                 |  |                 |  |  |  |  |  |  |  |  |  |  |  |  |  |  |  |  |  |
| 29              | 464        | 48.24    | 3.0                    | 32              | 418     | 43.46           | 3.4        | 37           | 367                    | 38.12           | 3.8     | 38           | 352  | 36.52           | 3.0   | 44              | 303   | 31.45           | 4.3   | 15              | 871   | 90.59        | 0.88  | 18              | 750   | 77.97           | 1.03  | 21           | 636   | 66.13        | 1.21  | 23              | 574   | 59.70        | 1.34  | 27           | 505   | 52.53           | 1.53  | 28           | 477   | 49.60        | 1.62  | 33              | 406   | 42.23        | 1.90  | 36           | 369   | 38.38           | 1.99  | 39           | 349   | 36.30        | 2.2   | 44              | 309   | 32.08        | 2.5   | 51           | 264   | 27.41           | 2.9   | 56           | 242   | 25.13        | 3.2   | 24              | 568   | 59.10        | 0.99  | 28           | 483   | 50.22           | 1.17  | 31           | 431   | 44.84        | 1.31  | 37              | 368   | 38.30        | 1.53  | 39           | 345   | 35.87           | 1.63  | 46           | 291   | 30.22        | 1.94  | 33              | 409   | 42.55        | 0.92  | 39           | 350   | 36.34           | 1.08  | 41           | 327   | 34.04        | 1.15  | 49           | 276   | 28.67        | 1.36  | 46           | 295   | 30.64        | 1.28  | 48           | 280   | 29.11        | 1.34  | 55           | 246   | 25.54        | 1.53  | 65              | 208   | 21.66        | 1.80  | 72              | 188   | 19.56           | 2.0   | 81              | 166   | 17.21           | 2.3   | 86              | 156   | 16.25           | 2.4   | 101             | 133   | 13.83           | 2.8   | 68              | 198   | 20.57           | 0.95  | 73              | 185   | 19.27           | 1.01  | 82              | 164   | 17.03           | 1.15  | 98              | 138   | 14.33           | 1.36  | 109             | 124   | 12.87           | 1.52  | 126             | 107   | 11.08           | 1.68  | 134             | 100   | 10.42           | 1.74  | 156             | 86    | 8.97            | 1.91  | 175             | 77    | 8.01            | 2.1   | 206             | 66    | 6.81            | 2.0   | 229             | 59    | 6.11            | 2.2   | 266             | 51    | 5.27            | 2.3   | 283             | 48    | 4.95            | 2.4   | 329             | 41    | 4.26            | 2.5   | 367             | 37    | 3.81            | 2.7   | <b>2.2kW</b>    |       |                 |       |                 |       | <b>2.2kW</b>    |       |                 |       |                 |       | 1.00            | 18699 | 1420            | 0.90  | F 157R97        | 4     | 1.00            | 18699 |                 |       | 1420            | 0.90  |                 |       | 1.09            | 17224 |                 |       | 1308            | 0.98  |                 |       | 1.21            | 15394 |                 |       | 1169            | 1.10  |                 |       | 1.49            | 12549 |                 |       | 953             | 1.35  |                 |       | 1.68            | 11127 |                 |       | 845             | 1.52  |                 |       | 1.86            | 10061 |                 |       | 764             | 1.68  |                 |       | 2.1             | 8954  |                 |       | 680             | 1.89  |                 |       | 2.5             | 7585  |                 |       | 576             | 2.2   | 3.2             | 5873  | 446             | 2.9   | 4.7             | 3964  | 301             | 4.3   | 5.2             | 3582  | 272             | 4.7   | 6.1             | 3042  | 231             | 5.6   | 7.2             | 2581  | 196             | 6.6   | 1.31            | 14288 | 1085            | 0.79  | 1.52            | 12339 | 937             | 0.91  | 1.72            | 10890 | 827             | 1.04  | 1.94            | 9652  | 733             | 1.17  | <b>F 127R77</b> |       |                 |       |                 |       | <b>F 127R77</b> |       |                 |       |                 |       |                 |       |                 |       |                 |       |                 |       |                 |       |                 |       |                 |       |                 |       |                 |       |                 |       |                 |       |                 |       |                 |       |                 |       |                 |       |                 |       |                 |       |                 |       |                 |       |                 |       |                 |       |                 |       |                 |       |                 |       |                 |       |                 |       |                 |       |                 |       |                 |       |                 |       |                 |       |                 |       |                 |       |                 |       |                 |       |                 |       |                 |       |                 |      |                 |       |                 |       |                 |       |                 |       |                 |       |                 |       |                 |       |                 |       |                 |       |                 |       |                 |       |                 |       |                 |       |                 |       |                 |       |                 |       |                 |       |                 |       |                 |       |                 |       |                 |       |                 |       |                 |       |                 |       |                 |       |                 |       |                 |       |                 |       |                 |       |                 |       |                 |       |                 |       |                 |       |                 |       |                 |       |                 |       |                 |       |                 |       |                 |      |                 |      |                 |      |                 |  |                 |  |                 |  |                 |  |  |  |  |  |  |  |  |  |  |  |  |  |  |  |  |  |
| 32              | 418        | 43.46    | 3.4                    | 37              | 367     | 38.12           | 3.8        | 38           | 352                    | 36.52           | 3.0     | 44           | 303  | 31.45           | 4.3   | 15              | 871   | 90.59           | 0.88  | 18              | 750   | 77.97        | 1.03  | 21              | 636   | 66.13           | 1.21  | 23           | 574   | 59.70        | 1.34  | 27              | 505   | 52.53        | 1.53  | 28           | 477   | 49.60           | 1.62  | 33           | 406   | 42.23        | 1.90  | 36              | 369   | 38.38        | 1.99  | 39           | 349   | 36.30           | 2.2   | 44           | 309   | 32.08        | 2.5   | 51              | 264   | 27.41        | 2.9   | 56           | 242   | 25.13           | 3.2   | 24           | 568   | 59.10        | 0.99  | 28              | 483   | 50.22        | 1.17  | 31           | 431   | 44.84           | 1.31  | 37           | 368   | 38.30        | 1.53  | 39              | 345   | 35.87        | 1.63  | 46           | 291   | 30.22           | 1.94  | 33           | 409   | 42.55        | 0.92  | 39              | 350   | 36.34        | 1.08  | 41           | 327   | 34.04           | 1.15  | 49           | 276   | 28.67        | 1.36  | 46           | 295   | 30.64        | 1.28  | 48           | 280   | 29.11        | 1.34  | 55           | 246   | 25.54        | 1.53  | 65           | 208   | 21.66        | 1.80  | 72              | 188   | 19.56        | 2.0   | 81              | 166   | 17.21           | 2.3   | 86              | 156   | 16.25           | 2.4   | 101             | 133   | 13.83           | 2.8   | 68              | 198   | 20.57           | 0.95  | 73              | 185   | 19.27           | 1.01  | 82              | 164   | 17.03           | 1.15  | 98              | 138   | 14.33           | 1.36  | 109             | 124   | 12.87           | 1.52  | 126             | 107   | 11.08           | 1.68  | 134             | 100   | 10.42           | 1.74  | 156             | 86    | 8.97            | 1.91  | 175             | 77    | 8.01            | 2.1   | 206             | 66    | 6.81            | 2.0   | 229             | 59    | 6.11            | 2.2   | 266             | 51    | 5.27            | 2.3   | 283             | 48    | 4.95            | 2.4   | 329             | 41    | 4.26            | 2.5   | 367             | 37    | 3.81            | 2.7   | <b>2.2kW</b>    |       |                 |       |                 |       | <b>2.2kW</b>    |       |                 |       |                 |       | 1.00            | 18699 | 1420            | 0.90  | F 157R97        | 4     | 1.00            | 18699 |                 |       | 1420            | 0.90  |                 |       | 1.09            | 17224 |                 |       | 1308            | 0.98  |                 |       | 1.21            | 15394 |                 |       | 1169            | 1.10  |                 |       | 1.49            | 12549 |                 |       | 953             | 1.35  |                 |       | 1.68            | 11127 |                 |       | 845             | 1.52  |                 |       | 1.86            | 10061 |                 |       | 764             | 1.68  |                 |       | 2.1             | 8954  |                 |       | 680             | 1.89  |                 |       | 2.5             | 7585  |                 |       | 576             | 2.2   | 3.2             | 5873  | 446             | 2.9   | 4.7             | 3964  | 301             | 4.3   | 5.2             | 3582  | 272             | 4.7   | 6.1             | 3042  | 231             | 5.6   | 7.2             | 2581  | 196             | 6.6   | 1.31            | 14288 | 1085            | 0.79  | 1.52            | 12339 | 937             | 0.91  | 1.72            | 10890 | 827             | 1.04  | 1.94            | 9652  | 733             | 1.17  | <b>F 127R77</b> |       |                 |       |                 |       | <b>F 127R77</b> |       |                 |       |                 |       |                 |       |                 |       |                 |       |                 |       |                 |       |                 |       |                 |       |                 |       |                 |       |                 |       |                 |       |                 |       |                 |       |                 |       |                 |       |                 |       |                 |       |                 |       |                 |       |                 |       |                 |       |                 |       |                 |       |                 |       |                 |       |                 |       |                 |       |                 |       |                 |       |                 |       |                 |       |                 |       |                 |       |                 |       |                 |       |                 |       |                 |       |                 |       |                 |       |                 |      |                 |       |                 |       |                 |       |                 |       |                 |       |                 |       |                 |       |                 |       |                 |       |                 |       |                 |       |                 |       |                 |       |                 |       |                 |       |                 |       |                 |       |                 |       |                 |       |                 |       |                 |       |                 |       |                 |       |                 |       |                 |       |                 |       |                 |       |                 |       |                 |       |                 |       |                 |       |                 |       |                 |       |                 |       |                 |       |                 |       |                 |       |                 |       |                 |      |                 |      |                 |      |                 |  |                 |  |                 |  |                 |  |  |  |  |  |  |  |  |  |  |  |  |  |  |  |  |  |
| 37              | 367        | 38.12    | 3.8                    | 38              | 352     | 36.52           | 3.0        | 44           | 303                    | 31.45           | 4.3     | 15           | 871  | 90.59           | 0.88  | 18              | 750   | 77.97           | 1.03  | 21              | 636   | 66.13        | 1.21  | 23              | 574   | 59.70           | 1.34  | 27           | 505   | 52.53        | 1.53  | 28              | 477   | 49.60        | 1.62  | 33           | 406   | 42.23           | 1.90  | 36           | 369   | 38.38        | 1.99  | 39              | 349   | 36.30        | 2.2   | 44           | 309   | 32.08           | 2.5   | 51           | 264   | 27.41        | 2.9   | 56              | 242   | 25.13        | 3.2   | 24           | 568   | 59.10           | 0.99  | 28           | 483   | 50.22        | 1.17  | 31              | 431   | 44.84        | 1.31  | 37           | 368   | 38.30           | 1.53  | 39           | 345   | 35.87        | 1.63  | 46              | 291   | 30.22        | 1.94  | 33           | 409   | 42.55           | 0.92  | 39           | 350   | 36.34        | 1.08  | 41              | 327   | 34.04        | 1.15  | 49           | 276   | 28.67           | 1.36  | 46           | 295   | 30.64        | 1.28  | 48           | 280   | 29.11        | 1.34  | 55           | 246   | 25.54        | 1.53  | 65           | 208   | 21.66        | 1.80  | 72           | 188   | 19.56        | 2.0   | 81              | 166   | 17.21        | 2.3   | 86              | 156   | 16.25           | 2.4   | 101             | 133   | 13.83           | 2.8   | 68              | 198   | 20.57           | 0.95  | 73              | 185   | 19.27           | 1.01  | 82              | 164   | 17.03           | 1.15  | 98              | 138   | 14.33           | 1.36  | 109             | 124   | 12.87           | 1.52  | 126             | 107   | 11.08           | 1.68  | 134             | 100   | 10.42           | 1.74  | 156             | 86    | 8.97            | 1.91  | 175             | 77    | 8.01            | 2.1   | 206             | 66    | 6.81            | 2.0   | 229             | 59    | 6.11            | 2.2   | 266             | 51    | 5.27            | 2.3   | 283             | 48    | 4.95            | 2.4   | 329             | 41    | 4.26            | 2.5   | 367             | 37    | 3.81            | 2.7   | <b>2.2kW</b>    |       |                 |       |                 |       | <b>2.2kW</b>    |       |                 |       |                 |       | 1.00            | 18699 | 1420            | 0.90  | F 157R97        | 4     | 1.00            | 18699 |                 |       | 1420            | 0.90  |                 |       | 1.09            | 17224 |                 |       | 1308            | 0.98  |                 |       | 1.21            | 15394 |                 |       | 1169            | 1.10  |                 |       | 1.49            | 12549 |                 |       | 953             | 1.35  |                 |       | 1.68            | 11127 |                 |       | 845             | 1.52  |                 |       | 1.86            | 10061 |                 |       | 764             | 1.68  |                 |       | 2.1             | 8954  |                 |       | 680             | 1.89  |                 |       | 2.5             | 7585  |                 |       | 576             | 2.2   | 3.2             | 5873  | 446             | 2.9   | 4.7             | 3964  | 301             | 4.3   | 5.2             | 3582  | 272             | 4.7   | 6.1             | 3042  | 231             | 5.6   | 7.2             | 2581  | 196             | 6.6   | 1.31            | 14288 | 1085            | 0.79  | 1.52            | 12339 | 937             | 0.91  | 1.72            | 10890 | 827             | 1.04  | 1.94            | 9652  | 733             | 1.17  | <b>F 127R77</b> |       |                 |       |                 |       | <b>F 127R77</b> |       |                 |       |                 |       |                 |       |                 |       |                 |       |                 |       |                 |       |                 |       |                 |       |                 |       |                 |       |                 |       |                 |       |                 |       |                 |       |                 |       |                 |       |                 |       |                 |       |                 |       |                 |       |                 |       |                 |       |                 |       |                 |       |                 |       |                 |       |                 |       |                 |       |                 |       |                 |       |                 |       |                 |       |                 |       |                 |       |                 |       |                 |       |                 |       |                 |       |                 |       |                 |       |                 |       |                 |       |                 |      |                 |       |                 |       |                 |       |                 |       |                 |       |                 |       |                 |       |                 |       |                 |       |                 |       |                 |       |                 |       |                 |       |                 |       |                 |       |                 |       |                 |       |                 |       |                 |       |                 |       |                 |       |                 |       |                 |       |                 |       |                 |       |                 |       |                 |       |                 |       |                 |       |                 |       |                 |       |                 |       |                 |       |                 |       |                 |       |                 |       |                 |       |                 |       |                 |      |                 |      |                 |      |                 |  |                 |  |                 |  |                 |  |  |  |  |  |  |  |  |  |  |  |  |  |  |  |  |  |
| 38              | 352        | 36.52    | 3.0                    | 44              | 303     | 31.45           | 4.3        | 15           | 871                    | 90.59           | 0.88    | 18           | 750  | 77.97           | 1.03  | 21              | 636   | 66.13           | 1.21  | 23              | 574   | 59.70        | 1.34  | 27              | 505   | 52.53           | 1.53  | 28           | 477   | 49.60        | 1.62  | 33              | 406   | 42.23        | 1.90  | 36           | 369   | 38.38           | 1.99  | 39           | 349   | 36.30        | 2.2   | 44              | 309   | 32.08        | 2.5   | 51           | 264   | 27.41           | 2.9   | 56           | 242   | 25.13        | 3.2   | 24              | 568   | 59.10        | 0.99  | 28           | 483   | 50.22           | 1.17  | 31           | 431   | 44.84        | 1.31  | 37              | 368   | 38.30        | 1.53  | 39           | 345   | 35.87           | 1.63  | 46           | 291   | 30.22        | 1.94  | 33              | 409   | 42.55        | 0.92  | 39           | 350   | 36.34           | 1.08  | 41           | 327   | 34.04        | 1.15  | 49              | 276   | 28.67        | 1.36  | 46           | 295   | 30.64           | 1.28  | 48           | 280   | 29.11        | 1.34  | 55           | 246   | 25.54        | 1.53  | 65           | 208   | 21.66        | 1.80  | 72           | 188   | 19.56        | 2.0   | 81           | 166   | 17.21        | 2.3   | 86              | 156   | 16.25        | 2.4   | 101             | 133   | 13.83           | 2.8   | 68              | 198   | 20.57           | 0.95  | 73              | 185   | 19.27           | 1.01  | 82              | 164   | 17.03           | 1.15  | 98              | 138   | 14.33           | 1.36  | 109             | 124   | 12.87           | 1.52  | 126             | 107   | 11.08           | 1.68  | 134             | 100   | 10.42           | 1.74  | 156             | 86    | 8.97            | 1.91  | 175             | 77    | 8.01            | 2.1   | 206             | 66    | 6.81            | 2.0   | 229             | 59    | 6.11            | 2.2   | 266             | 51    | 5.27            | 2.3   | 283             | 48    | 4.95            | 2.4   | 329             | 41    | 4.26            | 2.5   | 367             | 37    | 3.81            | 2.7   | <b>2.2kW</b>    |       |                 |       |                 |       | <b>2.2kW</b>    |       |                 |       |                 |       | 1.00            | 18699 | 1420            | 0.90  | F 157R97        | 4     | 1.00            | 18699 |                 |       | 1420            | 0.90  |                 |       | 1.09            | 17224 |                 |       | 1308            | 0.98  |                 |       | 1.21            | 15394 |                 |       | 1169            | 1.10  |                 |       | 1.49            | 12549 |                 |       | 953             | 1.35  |                 |       | 1.68            | 11127 |                 |       | 845             | 1.52  |                 |       | 1.86            | 10061 |                 |       | 764             | 1.68  |                 |       | 2.1             | 8954  |                 |       | 680             | 1.89  |                 |       | 2.5             | 7585  |                 |       | 576             | 2.2   | 3.2             | 5873  | 446             | 2.9   | 4.7             | 3964  | 301             | 4.3   | 5.2             | 3582  | 272             | 4.7   | 6.1             | 3042  | 231             | 5.6   | 7.2             | 2581  | 196             | 6.6   | 1.31            | 14288 | 1085            | 0.79  | 1.52            | 12339 | 937             | 0.91  | 1.72            | 10890 | 827             | 1.04  | 1.94            | 9652  | 733             | 1.17  | <b>F 127R77</b> |       |                 |       |                 |       | <b>F 127R77</b> |       |                 |       |                 |       |                 |       |                 |       |                 |       |                 |       |                 |       |                 |       |                 |       |                 |       |                 |       |                 |       |                 |       |                 |       |                 |       |                 |       |                 |       |                 |       |                 |       |                 |       |                 |       |                 |       |                 |       |                 |       |                 |       |                 |       |                 |       |                 |       |                 |       |                 |       |                 |       |                 |       |                 |       |                 |       |                 |       |                 |       |                 |       |                 |       |                 |       |                 |       |                 |       |                 |       |                 |       |                 |       |                 |       |                 |      |                 |       |                 |       |                 |       |                 |       |                 |       |                 |       |                 |       |                 |       |                 |       |                 |       |                 |       |                 |       |                 |       |                 |       |                 |       |                 |       |                 |       |                 |       |                 |       |                 |       |                 |       |                 |       |                 |       |                 |       |                 |       |                 |       |                 |       |                 |       |                 |       |                 |       |                 |       |                 |       |                 |       |                 |       |                 |       |                 |       |                 |       |                 |       |                 |      |                 |      |                 |      |                 |  |                 |  |                 |  |                 |  |  |  |  |  |  |  |  |  |  |  |  |  |  |  |  |  |
| 44              | 303        | 31.45    | 4.3                    | 15              | 871     | 90.59           | 0.88       | 18           | 750                    | 77.97           | 1.03    | 21           | 636  | 66.13           | 1.21  | 23              | 574   | 59.70           | 1.34  | 27              | 505   | 52.53        | 1.53  | 28              | 477   | 49.60           | 1.62  | 33           | 406   | 42.23        | 1.90  | 36              | 369   | 38.38        | 1.99  | 39           | 349   | 36.30           | 2.2   | 44           | 309   | 32.08        | 2.5   | 51              | 264   | 27.41        | 2.9   | 56           | 242   | 25.13           | 3.2   | 24           | 568   | 59.10        | 0.99  | 28              | 483   | 50.22        | 1.17  | 31           | 431   | 44.84           | 1.31  | 37           | 368   | 38.30        | 1.53  | 39              | 345   | 35.87        | 1.63  | 46           | 291   | 30.22           | 1.94  | 33           | 409   | 42.55        | 0.92  | 39              | 350   | 36.34        | 1.08  | 41           | 327   | 34.04           | 1.15  | 49           | 276   | 28.67        | 1.36  | 46              | 295   | 30.64        | 1.28  | 48           | 280   | 29.11           | 1.34  | 55           | 246   | 25.54        | 1.53  | 65           | 208   | 21.66        | 1.80  | 72           | 188   | 19.56        | 2.0   | 81           | 166   | 17.21        | 2.3   | 86           | 156   | 16.25        | 2.4   | 101             | 133   | 13.83        | 2.8   | 68              | 198   | 20.57           | 0.95  | 73              | 185   | 19.27           | 1.01  | 82              | 164   | 17.03           | 1.15  | 98              | 138   | 14.33           | 1.36  | 109             | 124   | 12.87           | 1.52  | 126             | 107   | 11.08           | 1.68  | 134             | 100   | 10.42           | 1.74  | 156             | 86    | 8.97            | 1.91  | 175             | 77    | 8.01            | 2.1   | 206             | 66    | 6.81            | 2.0   | 229             | 59    | 6.11            | 2.2   | 266             | 51    | 5.27            | 2.3   | 283             | 48    | 4.95            | 2.4   | 329             | 41    | 4.26            | 2.5   | 367             | 37    | 3.81            | 2.7   | <b>2.2kW</b>    |       |                 |       |                 |       | <b>2.2kW</b>    |       |                 |       |                 |       | 1.00            | 18699 | 1420            | 0.90  | F 157R97        | 4     | 1.00            | 18699 |                 |       | 1420            | 0.90  |                 |       | 1.09            | 17224 |                 |       | 1308            | 0.98  |                 |       | 1.21            | 15394 |                 |       | 1169            | 1.10  |                 |       | 1.49            | 12549 |                 |       | 953             | 1.35  |                 |       | 1.68            | 11127 |                 |       | 845             | 1.52  |                 |       | 1.86            | 10061 |                 |       | 764             | 1.68  |                 |       | 2.1             | 8954  |                 |       | 680             | 1.89  |                 |       | 2.5             | 7585  |                 |       | 576             | 2.2   | 3.2             | 5873  | 446             | 2.9   | 4.7             | 3964  | 301             | 4.3   | 5.2             | 3582  | 272             | 4.7   | 6.1             | 3042  | 231             | 5.6   | 7.2             | 2581  | 196             | 6.6   | 1.31            | 14288 | 1085            | 0.79  | 1.52            | 12339 | 937             | 0.91  | 1.72            | 10890 | 827             | 1.04  | 1.94            | 9652  | 733             | 1.17  | <b>F 127R77</b> |       |                 |       |                 |       | <b>F 127R77</b> |       |                 |       |                 |       |                 |       |                 |       |                 |       |                 |       |                 |       |                 |       |                 |       |                 |       |                 |       |                 |       |                 |       |                 |       |                 |       |                 |       |                 |       |                 |       |                 |       |                 |       |                 |       |                 |       |                 |       |                 |       |                 |       |                 |       |                 |       |                 |       |                 |       |                 |       |                 |       |                 |       |                 |       |                 |       |                 |       |                 |       |                 |       |                 |       |                 |       |                 |       |                 |       |                 |       |                 |       |                 |       |                 |       |                 |       |                 |       |                 |      |                 |       |                 |       |                 |       |                 |       |                 |       |                 |       |                 |       |                 |       |                 |       |                 |       |                 |       |                 |       |                 |       |                 |       |                 |       |                 |       |                 |       |                 |       |                 |       |                 |       |                 |       |                 |       |                 |       |                 |       |                 |       |                 |       |                 |       |                 |       |                 |       |                 |       |                 |       |                 |       |                 |       |                 |       |                 |       |                 |       |                 |       |                 |       |                 |      |                 |      |                 |      |                 |  |                 |  |                 |  |                 |  |  |  |  |  |  |  |  |  |  |  |  |  |  |  |  |  |
| 15              | 871        | 90.59    | 0.88                   | 18              | 750     | 77.97           | 1.03       | 21           | 636                    | 66.13           | 1.21    | 23           | 574  | 59.70           | 1.34  | 27              | 505   | 52.53           | 1.53  | 28              | 477   | 49.60        | 1.62  | 33              | 406   | 42.23           | 1.90  | 36           | 369   | 38.38        | 1.99  | 39              | 349   | 36.30        | 2.2   | 44           | 309   | 32.08           | 2.5   | 51           | 264   | 27.41        | 2.9   | 56              | 242   | 25.13        | 3.2   | 24           | 568   | 59.10           | 0.99  | 28           | 483   | 50.22        | 1.17  | 31              | 431   | 44.84        | 1.31  | 37           | 368   | 38.30           | 1.53  | 39           | 345   | 35.87        | 1.63  | 46              | 291   | 30.22        | 1.94  | 33           | 409   | 42.55           | 0.92  | 39           | 350   | 36.34        | 1.08  | 41              | 327   | 34.04        | 1.15  | 49           | 276   | 28.67           | 1.36  | 46           | 295   | 30.64        | 1.28  | 48              | 280   | 29.11        | 1.34  | 55           | 246   | 25.54           | 1.53  | 65           | 208   | 21.66        | 1.80  | 72           | 188   | 19.56        | 2.0   | 81           | 166   | 17.21        | 2.3   | 86           | 156   | 16.25        | 2.4   | 101          | 133   | 13.83        | 2.8   | 68              | 198   | 20.57        | 0.95  | 73              | 185   | 19.27           | 1.01  | 82              | 164   | 17.03           | 1.15  | 98              | 138   | 14.33           | 1.36  | 109             | 124   | 12.87           | 1.52  | 126             | 107   | 11.08           | 1.68  | 134             | 100   | 10.42           | 1.74  | 156             | 86    | 8.97            | 1.91  | 175             | 77    | 8.01            | 2.1   | 206             | 66    | 6.81            | 2.0   | 229             | 59    | 6.11            | 2.2   | 266             | 51    | 5.27            | 2.3   | 283             | 48    | 4.95            | 2.4   | 329             | 41    | 4.26            | 2.5   | 367             | 37    | 3.81            | 2.7   | <b>2.2kW</b>    |       |                 |       |                 |       | <b>2.2kW</b>    |       |                 |       |                 |       | 1.00            | 18699 | 1420            | 0.90  | F 157R97        | 4     | 1.00            | 18699 |                 |       | 1420            | 0.90  |                 |       | 1.09            | 17224 |                 |       | 1308            | 0.98  |                 |       | 1.21            | 15394 |                 |       | 1169            | 1.10  |                 |       | 1.49            | 12549 |                 |       | 953             | 1.35  |                 |       | 1.68            | 11127 |                 |       | 845             | 1.52  |                 |       | 1.86            | 10061 |                 |       | 764             | 1.68  |                 |       | 2.1             | 8954  |                 |       | 680             | 1.89  |                 |       | 2.5             | 7585  |                 |       | 576             | 2.2   | 3.2             | 5873  | 446             | 2.9   | 4.7             | 3964  | 301             | 4.3   | 5.2             | 3582  | 272             | 4.7   | 6.1             | 3042  | 231             | 5.6   | 7.2             | 2581  | 196             | 6.6   | 1.31            | 14288 | 1085            | 0.79  | 1.52            | 12339 | 937             | 0.91  | 1.72            | 10890 | 827             | 1.04  | 1.94            | 9652  | 733             | 1.17  | <b>F 127R77</b> |       |                 |       |                 |       | <b>F 127R77</b> |       |                 |       |                 |       |                 |       |                 |       |                 |       |                 |       |                 |       |                 |       |                 |       |                 |       |                 |       |                 |       |                 |       |                 |       |                 |       |                 |       |                 |       |                 |       |                 |       |                 |       |                 |       |                 |       |                 |       |                 |       |                 |       |                 |       |                 |       |                 |       |                 |       |                 |       |                 |       |                 |       |                 |       |                 |       |                 |       |                 |       |                 |       |                 |       |                 |       |                 |       |                 |       |                 |       |                 |       |                 |       |                 |       |                 |       |                 |       |                 |       |                 |       |                 |      |                 |       |                 |       |                 |       |                 |       |                 |       |                 |       |                 |       |                 |       |                 |       |                 |       |                 |       |                 |       |                 |       |                 |       |                 |       |                 |       |                 |       |                 |       |                 |       |                 |       |                 |       |                 |       |                 |       |                 |       |                 |       |                 |       |                 |       |                 |       |                 |       |                 |       |                 |       |                 |       |                 |       |                 |       |                 |       |                 |       |                 |       |                 |       |                 |      |                 |      |                 |      |                 |  |                 |  |                 |  |                 |  |  |  |  |  |  |  |  |  |  |  |  |  |  |  |  |  |
| 18              | 750        | 77.97    | 1.03                   | 21              | 636     | 66.13           | 1.21       | 23           | 574                    | 59.70           | 1.34    | 27           | 505  | 52.53           | 1.53  | 28              | 477   | 49.60           | 1.62  | 33              | 406   | 42.23        | 1.90  | 36              | 369   | 38.38           | 1.99  | 39           | 349   | 36.30        | 2.2   | 44              | 309   | 32.08        | 2.5   | 51           | 264   | 27.41           | 2.9   | 56           | 242   | 25.13        | 3.2   | 24              | 568   | 59.10        | 0.99  | 28           | 483   | 50.22           | 1.17  | 31           | 431   | 44.84        | 1.31  | 37              | 368   | 38.30        | 1.53  | 39           | 345   | 35.87           | 1.63  | 46           | 291   | 30.22        | 1.94  | 33              | 409   | 42.55        | 0.92  | 39           | 350   | 36.34           | 1.08  | 41           | 327   | 34.04        | 1.15  | 49              | 276   | 28.67        | 1.36  | 46           | 295   | 30.64           | 1.28  | 48           | 280   | 29.11        | 1.34  | 55              | 246   | 25.54        | 1.53  | 65           | 208   | 21.66           | 1.80  | 72           | 188   | 19.56        | 2.0   | 81           | 166   | 17.21        | 2.3   | 86           | 156   | 16.25        | 2.4   | 101          | 133   | 13.83        | 2.8   | 68           | 198   | 20.57        | 0.95  | 73              | 185   | 19.27        | 1.01  | 82              | 164   | 17.03           | 1.15  | 98              | 138   | 14.33           | 1.36  | 109             | 124   | 12.87           | 1.52  | 126             | 107   | 11.08           | 1.68  | 134             | 100   | 10.42           | 1.74  | 156             | 86    | 8.97            | 1.91  | 175             | 77    | 8.01            | 2.1   | 206             | 66    | 6.81            | 2.0   | 229             | 59    | 6.11            | 2.2   | 266             | 51    | 5.27            | 2.3   | 283             | 48    | 4.95            | 2.4   | 329             | 41    | 4.26            | 2.5   | 367             | 37    | 3.81            | 2.7   | <b>2.2kW</b>    |       |                 |       |                 |       | <b>2.2kW</b>    |       |                 |       |                 |       | 1.00            | 18699 | 1420            | 0.90  | F 157R97        | 4     | 1.00            | 18699 |                 |       | 1420            | 0.90  |                 |       | 1.09            | 17224 |                 |       | 1308            | 0.98  |                 |       | 1.21            | 15394 |                 |       | 1169            | 1.10  |                 |       | 1.49            | 12549 |                 |       | 953             | 1.35  |                 |       | 1.68            | 11127 |                 |       | 845             | 1.52  |                 |       | 1.86            | 10061 |                 |       | 764             | 1.68  |                 |       | 2.1             | 8954  |                 |       | 680             | 1.89  |                 |       | 2.5             | 7585  |                 |       | 576             | 2.2   | 3.2             | 5873  | 446             | 2.9   | 4.7             | 3964  | 301             | 4.3   | 5.2             | 3582  | 272             | 4.7   | 6.1             | 3042  | 231             | 5.6   | 7.2             | 2581  | 196             | 6.6   | 1.31            | 14288 | 1085            | 0.79  | 1.52            | 12339 | 937             | 0.91  | 1.72            | 10890 | 827             | 1.04  | 1.94            | 9652  | 733             | 1.17  | <b>F 127R77</b> |       |                 |       |                 |       | <b>F 127R77</b> |       |                 |       |                 |       |                 |       |                 |       |                 |       |                 |       |                 |       |                 |       |                 |       |                 |       |                 |       |                 |       |                 |       |                 |       |                 |       |                 |       |                 |       |                 |       |                 |       |                 |       |                 |       |                 |       |                 |       |                 |       |                 |       |                 |       |                 |       |                 |       |                 |       |                 |       |                 |       |                 |       |                 |       |                 |       |                 |       |                 |       |                 |       |                 |       |                 |       |                 |       |                 |       |                 |       |                 |       |                 |       |                 |       |                 |       |                 |       |                 |       |                 |       |                 |       |                 |       |                 |      |                 |       |                 |       |                 |       |                 |       |                 |       |                 |       |                 |       |                 |       |                 |       |                 |       |                 |       |                 |       |                 |       |                 |       |                 |       |                 |       |                 |       |                 |       |                 |       |                 |       |                 |       |                 |       |                 |       |                 |       |                 |       |                 |       |                 |       |                 |       |                 |       |                 |       |                 |       |                 |       |                 |       |                 |       |                 |       |                 |       |                 |       |                 |       |                 |      |                 |      |                 |      |                 |  |                 |  |                 |  |                 |  |  |  |  |  |  |  |  |  |  |  |  |  |  |  |  |  |
| 21              | 636        | 66.13    | 1.21                   | 23              | 574     | 59.70           | 1.34       | 27           | 505                    | 52.53           | 1.53    | 28           | 477  | 49.60           | 1.62  | 33              | 406   | 42.23           | 1.90  | 36              | 369   | 38.38        | 1.99  | 39              | 349   | 36.30           | 2.2   | 44           | 309   | 32.08        | 2.5   | 51              | 264   | 27.41        | 2.9   | 56           | 242   | 25.13           | 3.2   | 24           | 568   | 59.10        | 0.99  | 28              | 483   | 50.22        | 1.17  | 31           | 431   | 44.84           | 1.31  | 37           | 368   | 38.30        | 1.53  | 39              | 345   | 35.87        | 1.63  | 46           | 291   | 30.22           | 1.94  | 33           | 409   | 42.55        | 0.92  | 39              | 350   | 36.34        | 1.08  | 41           | 327   | 34.04           | 1.15  | 49           | 276   | 28.67        | 1.36  | 46              | 295   | 30.64        | 1.28  | 48           | 280   | 29.11           | 1.34  | 55           | 246   | 25.54        | 1.53  | 65              | 208   | 21.66        | 1.80  | 72           | 188   | 19.56           | 2.0   | 81           | 166   | 17.21        | 2.3   | 86           | 156   | 16.25        | 2.4   | 101          | 133   | 13.83        | 2.8   | 68           | 198   | 20.57        | 0.95  | 73           | 185   | 19.27        | 1.01  | 82              | 164   | 17.03        | 1.15  | 98              | 138   | 14.33           | 1.36  | 109             | 124   | 12.87           | 1.52  | 126             | 107   | 11.08           | 1.68  | 134             | 100   | 10.42           | 1.74  | 156             | 86    | 8.97            | 1.91  | 175             | 77    | 8.01            | 2.1   | 206             | 66    | 6.81            | 2.0   | 229             | 59    | 6.11            | 2.2   | 266             | 51    | 5.27            | 2.3   | 283             | 48    | 4.95            | 2.4   | 329             | 41    | 4.26            | 2.5   | 367             | 37    | 3.81            | 2.7   | <b>2.2kW</b>    |       |                 |       |                 |       | <b>2.2kW</b>    |       |                 |       |                 |       | 1.00            | 18699 | 1420            | 0.90  | F 157R97        | 4     | 1.00            | 18699 |                 |       | 1420            | 0.90  |                 |       | 1.09            | 17224 |                 |       | 1308            | 0.98  |                 |       | 1.21            | 15394 |                 |       | 1169            | 1.10  |                 |       | 1.49            | 12549 |                 |       | 953             | 1.35  |                 |       | 1.68            | 11127 |                 |       | 845             | 1.52  |                 |       | 1.86            | 10061 |                 |       | 764             | 1.68  |                 |       | 2.1             | 8954  |                 |       | 680             | 1.89  |                 |       | 2.5             | 7585  |                 |       | 576             | 2.2   | 3.2             | 5873  | 446             | 2.9   | 4.7             | 3964  | 301             | 4.3   | 5.2             | 3582  | 272             | 4.7   | 6.1             | 3042  | 231             | 5.6   | 7.2             | 2581  | 196             | 6.6   | 1.31            | 14288 | 1085            | 0.79  | 1.52            | 12339 | 937             | 0.91  | 1.72            | 10890 | 827             | 1.04  | 1.94            | 9652  | 733             | 1.17  | <b>F 127R77</b> |       |                 |       |                 |       | <b>F 127R77</b> |       |                 |       |                 |       |                 |       |                 |       |                 |       |                 |       |                 |       |                 |       |                 |       |                 |       |                 |       |                 |       |                 |       |                 |       |                 |       |                 |       |                 |       |                 |       |                 |       |                 |       |                 |       |                 |       |                 |       |                 |       |                 |       |                 |       |                 |       |                 |       |                 |       |                 |       |                 |       |                 |       |                 |       |                 |       |                 |       |                 |       |                 |       |                 |       |                 |       |                 |       |                 |       |                 |       |                 |       |                 |       |                 |       |                 |       |                 |       |                 |       |                 |       |                 |       |                 |       |                 |       |                 |       |                 |      |                 |       |                 |       |                 |       |                 |       |                 |       |                 |       |                 |       |                 |       |                 |       |                 |       |                 |       |                 |       |                 |       |                 |       |                 |       |                 |       |                 |       |                 |       |                 |       |                 |       |                 |       |                 |       |                 |       |                 |       |                 |       |                 |       |                 |       |                 |       |                 |       |                 |       |                 |       |                 |       |                 |       |                 |       |                 |       |                 |       |                 |       |                 |       |                 |      |                 |      |                 |      |                 |  |                 |  |                 |  |                 |  |  |  |  |  |  |  |  |  |  |  |  |  |  |  |  |  |
| 23              | 574        | 59.70    | 1.34                   | 27              | 505     | 52.53           | 1.53       | 28           | 477                    | 49.60           | 1.62    | 33           | 406  | 42.23           | 1.90  | 36              | 369   | 38.38           | 1.99  | 39              | 349   | 36.30        | 2.2   | 44              | 309   | 32.08           | 2.5   | 51           | 264   | 27.41        | 2.9   | 56              | 242   | 25.13        | 3.2   | 24           | 568   | 59.10           | 0.99  | 28           | 483   | 50.22        | 1.17  | 31              | 431   | 44.84        | 1.31  | 37           | 368   | 38.30           | 1.53  | 39           | 345   | 35.87        | 1.63  | 46              | 291   | 30.22        | 1.94  | 33           | 409   | 42.55           | 0.92  | 39           | 350   | 36.34        | 1.08  | 41              | 327   | 34.04        | 1.15  | 49           | 276   | 28.67           | 1.36  | 46           | 295   | 30.64        | 1.28  | 48              | 280   | 29.11        | 1.34  | 55           | 246   | 25.54           | 1.53  | 65           | 208   | 21.66        | 1.80  | 72              | 188   | 19.56        | 2.0   | 81           | 166   | 17.21           | 2.3   | 86           | 156   | 16.25        | 2.4   | 101          | 133   | 13.83        | 2.8   | 68           | 198   | 20.57        | 0.95  | 73           | 185   | 19.27        | 1.01  | 82           | 164   | 17.03        | 1.15  | 98              | 138   | 14.33        | 1.36  | 109             | 124   | 12.87           | 1.52  | 126             | 107   | 11.08           | 1.68  | 134             | 100   | 10.42           | 1.74  | 156             | 86    | 8.97            | 1.91  | 175             | 77    | 8.01            | 2.1   | 206             | 66    | 6.81            | 2.0   | 229             | 59    | 6.11            | 2.2   | 266             | 51    | 5.27            | 2.3   | 283             | 48    | 4.95            | 2.4   | 329             | 41    | 4.26            | 2.5   | 367             | 37    | 3.81            | 2.7   | <b>2.2kW</b>    |       |                 |       |                 |       | <b>2.2kW</b>    |       |                 |       |                 |       | 1.00            | 18699 | 1420            | 0.90  | F 157R97        | 4     | 1.00            | 18699 |                 |       | 1420            | 0.90  |                 |       | 1.09            | 17224 |                 |       | 1308            | 0.98  |                 |       | 1.21            | 15394 |                 |       | 1169            | 1.10  |                 |       | 1.49            | 12549 |                 |       | 953             | 1.35  |                 |       | 1.68            | 11127 |                 |       | 845             | 1.52  |                 |       | 1.86            | 10061 |                 |       | 764             | 1.68  |                 |       | 2.1             | 8954  |                 |       | 680             | 1.89  |                 |       | 2.5             | 7585  |                 |       | 576             | 2.2   | 3.2             | 5873  | 446             | 2.9   | 4.7             | 3964  | 301             | 4.3   | 5.2             | 3582  | 272             | 4.7   | 6.1             | 3042  | 231             | 5.6   | 7.2             | 2581  | 196             | 6.6   | 1.31            | 14288 | 1085            | 0.79  | 1.52            | 12339 | 937             | 0.91  | 1.72            | 10890 | 827             | 1.04  | 1.94            | 9652  | 733             | 1.17  | <b>F 127R77</b> |       |                 |       |                 |       | <b>F 127R77</b> |       |                 |       |                 |       |                 |       |                 |       |                 |       |                 |       |                 |       |                 |       |                 |       |                 |       |                 |       |                 |       |                 |       |                 |       |                 |       |                 |       |                 |       |                 |       |                 |       |                 |       |                 |       |                 |       |                 |       |                 |       |                 |       |                 |       |                 |       |                 |       |                 |       |                 |       |                 |       |                 |       |                 |       |                 |       |                 |       |                 |       |                 |       |                 |       |                 |       |                 |       |                 |       |                 |       |                 |       |                 |       |                 |       |                 |       |                 |       |                 |       |                 |       |                 |       |                 |       |                 |       |                 |       |                 |       |                 |       |                 |      |                 |       |                 |       |                 |       |                 |       |                 |       |                 |       |                 |       |                 |       |                 |       |                 |       |                 |       |                 |       |                 |       |                 |       |                 |       |                 |       |                 |       |                 |       |                 |       |                 |       |                 |       |                 |       |                 |       |                 |       |                 |       |                 |       |                 |       |                 |       |                 |       |                 |       |                 |       |                 |       |                 |       |                 |       |                 |       |                 |       |                 |       |                 |       |                 |      |                 |      |                 |      |                 |  |                 |  |                 |  |                 |  |  |  |  |  |  |  |  |  |  |  |  |  |  |  |  |  |
| 27              | 505        | 52.53    | 1.53                   | 28              | 477     | 49.60           | 1.62       | 33           | 406                    | 42.23           | 1.90    | 36           | 369  | 38.38           | 1.99  | 39              | 349   | 36.30           | 2.2   | 44              | 309   | 32.08        | 2.5   | 51              | 264   | 27.41           | 2.9   | 56           | 242   | 25.13        | 3.2   | 24              | 568   | 59.10        | 0.99  | 28           | 483   | 50.22           | 1.17  | 31           | 431   | 44.84        | 1.31  | 37              | 368   | 38.30        | 1.53  | 39           | 345   | 35.87           | 1.63  | 46           | 291   | 30.22        | 1.94  | 33              | 409   | 42.55        | 0.92  | 39           | 350   | 36.34           | 1.08  | 41           | 327   | 34.04        | 1.15  | 49              | 276   | 28.67        | 1.36  | 46           | 295   | 30.64           | 1.28  | 48           | 280   | 29.11        | 1.34  | 55              | 246   | 25.54        | 1.53  | 65           | 208   | 21.66           | 1.80  | 72           | 188   | 19.56        | 2.0   | 81              | 166   | 17.21        | 2.3   | 86           | 156   | 16.25           | 2.4   | 101          | 133   | 13.83        | 2.8   | 68           | 198   | 20.57        | 0.95  | 73           | 185   | 19.27        | 1.01  | 82           | 164   | 17.03        | 1.15  | 98           | 138   | 14.33        | 1.36  | 109             | 124   | 12.87        | 1.52  | 126             | 107   | 11.08           | 1.68  | 134             | 100   | 10.42           | 1.74  | 156             | 86    | 8.97            | 1.91  | 175             | 77    | 8.01            | 2.1   | 206             | 66    | 6.81            | 2.0   | 229             | 59    | 6.11            | 2.2   | 266             | 51    | 5.27            | 2.3   | 283             | 48    | 4.95            | 2.4   | 329             | 41    | 4.26            | 2.5   | 367             | 37    | 3.81            | 2.7   | <b>2.2kW</b>    |       |                 |       |                 |       | <b>2.2kW</b>    |       |                 |       |                 |       | 1.00            | 18699 | 1420            | 0.90  | F 157R97        | 4     | 1.00            | 18699 |                 |       | 1420            | 0.90  |                 |       | 1.09            | 17224 |                 |       | 1308            | 0.98  |                 |       | 1.21            | 15394 |                 |       | 1169            | 1.10  |                 |       | 1.49            | 12549 |                 |       | 953             | 1.35  |                 |       | 1.68            | 11127 |                 |       | 845             | 1.52  |                 |       | 1.86            | 10061 |                 |       | 764             | 1.68  |                 |       | 2.1             | 8954  |                 |       | 680             | 1.89  |                 |       | 2.5             | 7585  |                 |       | 576             | 2.2   | 3.2             | 5873  | 446             | 2.9   | 4.7             | 3964  | 301             | 4.3   | 5.2             | 3582  | 272             | 4.7   | 6.1             | 3042  | 231             | 5.6   | 7.2             | 2581  | 196             | 6.6   | 1.31            | 14288 | 1085            | 0.79  | 1.52            | 12339 | 937             | 0.91  | 1.72            | 10890 | 827             | 1.04  | 1.94            | 9652  | 733             | 1.17  | <b>F 127R77</b> |       |                 |       |                 |       | <b>F 127R77</b> |       |                 |       |                 |       |                 |       |                 |       |                 |       |                 |       |                 |       |                 |       |                 |       |                 |       |                 |       |                 |       |                 |       |                 |       |                 |       |                 |       |                 |       |                 |       |                 |       |                 |       |                 |       |                 |       |                 |       |                 |       |                 |       |                 |       |                 |       |                 |       |                 |       |                 |       |                 |       |                 |       |                 |       |                 |       |                 |       |                 |       |                 |       |                 |       |                 |       |                 |       |                 |       |                 |       |                 |       |                 |       |                 |       |                 |       |                 |       |                 |       |                 |       |                 |       |                 |       |                 |       |                 |       |                 |       |                 |       |                 |       |                 |       |                 |      |                 |       |                 |       |                 |       |                 |       |                 |       |                 |       |                 |       |                 |       |                 |       |                 |       |                 |       |                 |       |                 |       |                 |       |                 |       |                 |       |                 |       |                 |       |                 |       |                 |       |                 |       |                 |       |                 |       |                 |       |                 |       |                 |       |                 |       |                 |       |                 |       |                 |       |                 |       |                 |       |                 |       |                 |       |                 |       |                 |       |                 |       |                 |       |                 |      |                 |      |                 |      |                 |  |                 |  |                 |  |                 |  |  |  |  |  |  |  |  |  |  |  |  |  |  |  |  |  |
| 28              | 477        | 49.60    | 1.62                   | 33              | 406     | 42.23           | 1.90       | 36           | 369                    | 38.38           | 1.99    | 39           | 349  | 36.30           | 2.2   | 44              | 309   | 32.08           | 2.5   | 51              | 264   | 27.41        | 2.9   | 56              | 242   | 25.13           | 3.2   | 24           | 568   | 59.10        | 0.99  | 28              | 483   | 50.22        | 1.17  | 31           | 431   | 44.84           | 1.31  | 37           | 368   | 38.30        | 1.53  | 39              | 345   | 35.87        | 1.63  | 46           | 291   | 30.22           | 1.94  | 33           | 409   | 42.55        | 0.92  | 39              | 350   | 36.34        | 1.08  | 41           | 327   | 34.04           | 1.15  | 49           | 276   | 28.67        | 1.36  | 46              | 295   | 30.64        | 1.28  | 48           | 280   | 29.11           | 1.34  | 55           | 246   | 25.54        | 1.53  | 65              | 208   | 21.66        | 1.80  | 72           | 188   | 19.56           | 2.0   | 81           | 166   | 17.21        | 2.3   | 86              | 156   | 16.25        | 2.4   | 101          | 133   | 13.83           | 2.8   | 68           | 198   | 20.57        | 0.95  | 73           | 185   | 19.27        | 1.01  | 82           | 164   | 17.03        | 1.15  | 98           | 138   | 14.33        | 1.36  | 109          | 124   | 12.87        | 1.52  | 126             | 107   | 11.08        | 1.68  | 134             | 100   | 10.42           | 1.74  | 156             | 86    | 8.97            | 1.91  | 175             | 77    | 8.01            | 2.1   | 206             | 66    | 6.81            | 2.0   | 229             | 59    | 6.11            | 2.2   | 266             | 51    | 5.27            | 2.3   | 283             | 48    | 4.95            | 2.4   | 329             | 41    | 4.26            | 2.5   | 367             | 37    | 3.81            | 2.7   | <b>2.2kW</b>    |       |                 |       |                 |       | <b>2.2kW</b>    |       |                 |       |                 |       | 1.00            | 18699 | 1420            | 0.90  | F 157R97        | 4     | 1.00            | 18699 |                 |       | 1420            | 0.90  |                 |       | 1.09            | 17224 |                 |       | 1308            | 0.98  |                 |       | 1.21            | 15394 |                 |       | 1169            | 1.10  |                 |       | 1.49            | 12549 |                 |       | 953             | 1.35  |                 |       | 1.68            | 11127 |                 |       | 845             | 1.52  |                 |       | 1.86            | 10061 |                 |       | 764             | 1.68  |                 |       | 2.1             | 8954  |                 |       | 680             | 1.89  |                 |       | 2.5             | 7585  |                 |       | 576             | 2.2   | 3.2             | 5873  | 446             | 2.9   | 4.7             | 3964  | 301             | 4.3   | 5.2             | 3582  | 272             | 4.7   | 6.1             | 3042  | 231             | 5.6   | 7.2             | 2581  | 196             | 6.6   | 1.31            | 14288 | 1085            | 0.79  | 1.52            | 12339 | 937             | 0.91  | 1.72            | 10890 | 827             | 1.04  | 1.94            | 9652  | 733             | 1.17  | <b>F 127R77</b> |       |                 |       |                 |       | <b>F 127R77</b> |       |                 |       |                 |       |                 |       |                 |       |                 |       |                 |       |                 |       |                 |       |                 |       |                 |       |                 |       |                 |       |                 |       |                 |       |                 |       |                 |       |                 |       |                 |       |                 |       |                 |       |                 |       |                 |       |                 |       |                 |       |                 |       |                 |       |                 |       |                 |       |                 |       |                 |       |                 |       |                 |       |                 |       |                 |       |                 |       |                 |       |                 |       |                 |       |                 |       |                 |       |                 |       |                 |       |                 |       |                 |       |                 |       |                 |       |                 |       |                 |       |                 |       |                 |       |                 |       |                 |       |                 |       |                 |       |                 |       |                 |       |                 |       |                 |       |                 |       |                 |      |                 |       |                 |       |                 |       |                 |       |                 |       |                 |       |                 |       |                 |       |                 |       |                 |       |                 |       |                 |       |                 |       |                 |       |                 |       |                 |       |                 |       |                 |       |                 |       |                 |       |                 |       |                 |       |                 |       |                 |       |                 |       |                 |       |                 |       |                 |       |                 |       |                 |       |                 |       |                 |       |                 |       |                 |       |                 |       |                 |       |                 |       |                 |       |                 |      |                 |      |                 |      |                 |  |                 |  |                 |  |                 |  |  |  |  |  |  |  |  |  |  |  |  |  |  |  |  |  |
| 33              | 406        | 42.23    | 1.90                   | 36              | 369     | 38.38           | 1.99       | 39           | 349                    | 36.30           | 2.2     | 44           | 309  | 32.08           | 2.5   | 51              | 264   | 27.41           | 2.9   | 56              | 242   | 25.13        | 3.2   | 24              | 568   | 59.10           | 0.99  | 28           | 483   | 50.22        | 1.17  | 31              | 431   | 44.84        | 1.31  | 37           | 368   | 38.30           | 1.53  | 39           | 345   | 35.87        | 1.63  | 46              | 291   | 30.22        | 1.94  | 33           | 409   | 42.55           | 0.92  | 39           | 350   | 36.34        | 1.08  | 41              | 327   | 34.04        | 1.15  | 49           | 276   | 28.67           | 1.36  | 46           | 295   | 30.64        | 1.28  | 48              | 280   | 29.11        | 1.34  | 55           | 246   | 25.54           | 1.53  | 65           | 208   | 21.66        | 1.80  | 72              | 188   | 19.56        | 2.0   | 81           | 166   | 17.21           | 2.3   | 86           | 156   | 16.25        | 2.4   | 101             | 133   | 13.83        | 2.8   | 68           | 198   | 20.57           | 0.95  | 73           | 185   | 19.27        | 1.01  | 82           | 164   | 17.03        | 1.15  | 98           | 138   | 14.33        | 1.36  | 109          | 124   | 12.87        | 1.52  | 126          | 107   | 11.08        | 1.68  | 134             | 100   | 10.42        | 1.74  | 156             | 86    | 8.97            | 1.91  | 175             | 77    | 8.01            | 2.1   | 206             | 66    | 6.81            | 2.0   | 229             | 59    | 6.11            | 2.2   | 266             | 51    | 5.27            | 2.3   | 283             | 48    | 4.95            | 2.4   | 329             | 41    | 4.26            | 2.5   | 367             | 37    | 3.81            | 2.7   | <b>2.2kW</b>    |       |                 |       |                 |       | <b>2.2kW</b>    |       |                 |       |                 |       | 1.00            | 18699 | 1420            | 0.90  | F 157R97        | 4     | 1.00            | 18699 |                 |       | 1420            | 0.90  |                 |       | 1.09            | 17224 |                 |       | 1308            | 0.98  |                 |       | 1.21            | 15394 |                 |       | 1169            | 1.10  |                 |       | 1.49            | 12549 |                 |       | 953             | 1.35  |                 |       | 1.68            | 11127 |                 |       | 845             | 1.52  |                 |       | 1.86            | 10061 |                 |       | 764             | 1.68  |                 |       | 2.1             | 8954  |                 |       | 680             | 1.89  |                 |       | 2.5             | 7585  |                 |       | 576             | 2.2   | 3.2             | 5873  | 446             | 2.9   | 4.7             | 3964  | 301             | 4.3   | 5.2             | 3582  | 272             | 4.7   | 6.1             | 3042  | 231             | 5.6   | 7.2             | 2581  | 196             | 6.6   | 1.31            | 14288 | 1085            | 0.79  | 1.52            | 12339 | 937             | 0.91  | 1.72            | 10890 | 827             | 1.04  | 1.94            | 9652  | 733             | 1.17  | <b>F 127R77</b> |       |                 |       |                 |       | <b>F 127R77</b> |       |                 |       |                 |       |                 |       |                 |       |                 |       |                 |       |                 |       |                 |       |                 |       |                 |       |                 |       |                 |       |                 |       |                 |       |                 |       |                 |       |                 |       |                 |       |                 |       |                 |       |                 |       |                 |       |                 |       |                 |       |                 |       |                 |       |                 |       |                 |       |                 |       |                 |       |                 |       |                 |       |                 |       |                 |       |                 |       |                 |       |                 |       |                 |       |                 |       |                 |       |                 |       |                 |       |                 |       |                 |       |                 |       |                 |       |                 |       |                 |       |                 |       |                 |       |                 |       |                 |       |                 |       |                 |       |                 |       |                 |       |                 |       |                 |       |                 |       |                 |       |                 |       |                 |      |                 |       |                 |       |                 |       |                 |       |                 |       |                 |       |                 |       |                 |       |                 |       |                 |       |                 |       |                 |       |                 |       |                 |       |                 |       |                 |       |                 |       |                 |       |                 |       |                 |       |                 |       |                 |       |                 |       |                 |       |                 |       |                 |       |                 |       |                 |       |                 |       |                 |       |                 |       |                 |       |                 |       |                 |       |                 |       |                 |       |                 |       |                 |       |                 |      |                 |      |                 |      |                 |  |                 |  |                 |  |                 |  |  |  |  |  |  |  |  |  |  |  |  |  |  |  |  |  |
| 36              | 369        | 38.38    | 1.99                   | 39              | 349     | 36.30           | 2.2        | 44           | 309                    | 32.08           | 2.5     | 51           | 264  | 27.41           | 2.9   | 56              | 242   | 25.13           | 3.2   | 24              | 568   | 59.10        | 0.99  | 28              | 483   | 50.22           | 1.17  | 31           | 431   | 44.84        | 1.31  | 37              | 368   | 38.30        | 1.53  | 39           | 345   | 35.87           | 1.63  | 46           | 291   | 30.22        | 1.94  | 33              | 409   | 42.55        | 0.92  | 39           | 350   | 36.34           | 1.08  | 41           | 327   | 34.04        | 1.15  | 49              | 276   | 28.67        | 1.36  | 46           | 295   | 30.64           | 1.28  | 48           | 280   | 29.11        | 1.34  | 55              | 246   | 25.54        | 1.53  | 65           | 208   | 21.66           | 1.80  | 72           | 188   | 19.56        | 2.0   | 81              | 166   | 17.21        | 2.3   | 86           | 156   | 16.25           | 2.4   | 101          | 133   | 13.83        | 2.8   | 68              | 198   | 20.57        | 0.95  | 73           | 185   | 19.27           | 1.01  | 82           | 164   | 17.03        | 1.15  | 98           | 138   | 14.33        | 1.36  | 109          | 124   | 12.87        | 1.52  | 126          | 107   | 11.08        | 1.68  | 134          | 100   | 10.42        | 1.74  | 156             | 86    | 8.97         | 1.91  | 175             | 77    | 8.01            | 2.1   | 206             | 66    | 6.81            | 2.0   | 229             | 59    | 6.11            | 2.2   | 266             | 51    | 5.27            | 2.3   | 283             | 48    | 4.95            | 2.4   | 329             | 41    | 4.26            | 2.5   | 367             | 37    | 3.81            | 2.7   | <b>2.2kW</b>    |       |                 |       |                 |       | <b>2.2kW</b>    |       |                 |       |                 |       | 1.00            | 18699 | 1420            | 0.90  | F 157R97        | 4     | 1.00            | 18699 |                 |       | 1420            | 0.90  |                 |       | 1.09            | 17224 |                 |       | 1308            | 0.98  |                 |       | 1.21            | 15394 |                 |       | 1169            | 1.10  |                 |       | 1.49            | 12549 |                 |       | 953             | 1.35  |                 |       | 1.68            | 11127 |                 |       | 845             | 1.52  |                 |       | 1.86            | 10061 |                 |       | 764             | 1.68  |                 |       | 2.1             | 8954  |                 |       | 680             | 1.89  |                 |       | 2.5             | 7585  |                 |       | 576             | 2.2   | 3.2             | 5873  | 446             | 2.9   | 4.7             | 3964  | 301             | 4.3   | 5.2             | 3582  | 272             | 4.7   | 6.1             | 3042  | 231             | 5.6   | 7.2             | 2581  | 196             | 6.6   | 1.31            | 14288 | 1085            | 0.79  | 1.52            | 12339 | 937             | 0.91  | 1.72            | 10890 | 827             | 1.04  | 1.94            | 9652  | 733             | 1.17  | <b>F 127R77</b> |       |                 |       |                 |       | <b>F 127R77</b> |       |                 |       |                 |       |                 |       |                 |       |                 |       |                 |       |                 |       |                 |       |                 |       |                 |       |                 |       |                 |       |                 |       |                 |       |                 |       |                 |       |                 |       |                 |       |                 |       |                 |       |                 |       |                 |       |                 |       |                 |       |                 |       |                 |       |                 |       |                 |       |                 |       |                 |       |                 |       |                 |       |                 |       |                 |       |                 |       |                 |       |                 |       |                 |       |                 |       |                 |       |                 |       |                 |       |                 |       |                 |       |                 |       |                 |       |                 |       |                 |       |                 |       |                 |       |                 |       |                 |       |                 |       |                 |       |                 |       |                 |       |                 |       |                 |       |                 |       |                 |       |                 |       |                 |       |                 |       |                 |      |                 |       |                 |       |                 |       |                 |       |                 |       |                 |       |                 |       |                 |       |                 |       |                 |       |                 |       |                 |       |                 |       |                 |       |                 |       |                 |       |                 |       |                 |       |                 |       |                 |       |                 |       |                 |       |                 |       |                 |       |                 |       |                 |       |                 |       |                 |       |                 |       |                 |       |                 |       |                 |       |                 |       |                 |       |                 |       |                 |       |                 |       |                 |       |                 |      |                 |      |                 |      |                 |  |                 |  |                 |  |                 |  |  |  |  |  |  |  |  |  |  |  |  |  |  |  |  |  |
| 39              | 349        | 36.30    | 2.2                    | 44              | 309     | 32.08           | 2.5        | 51           | 264                    | 27.41           | 2.9     | 56           | 242  | 25.13           | 3.2   | 24              | 568   | 59.10           | 0.99  | 28              | 483   | 50.22        | 1.17  | 31              | 431   | 44.84           | 1.31  | 37           | 368   | 38.30        | 1.53  | 39              | 345   | 35.87        | 1.63  | 46           | 291   | 30.22           | 1.94  | 33           | 409   | 42.55        | 0.92  | 39              | 350   | 36.34        | 1.08  | 41           | 327   | 34.04           | 1.15  | 49           | 276   | 28.67        | 1.36  | 46              | 295   | 30.64        | 1.28  | 48           | 280   | 29.11           | 1.34  | 55           | 246   | 25.54        | 1.53  | 65              | 208   | 21.66        | 1.80  | 72           | 188   | 19.56           | 2.0   | 81           | 166   | 17.21        | 2.3   | 86              | 156   | 16.25        | 2.4   | 101          | 133   | 13.83           | 2.8   | 68           | 198   | 20.57        | 0.95  | 73              | 185   | 19.27        | 1.01  | 82           | 164   | 17.03           | 1.15  | 98           | 138   | 14.33        | 1.36  | 109          | 124   | 12.87        | 1.52  | 126          | 107   | 11.08        | 1.68  | 134          | 100   | 10.42        | 1.74  | 156          | 86    | 8.97         | 1.91  | 175             | 77    | 8.01         | 2.1   | 206             | 66    | 6.81            | 2.0   | 229             | 59    | 6.11            | 2.2   | 266             | 51    | 5.27            | 2.3   | 283             | 48    | 4.95            | 2.4   | 329             | 41    | 4.26            | 2.5   | 367             | 37    | 3.81            | 2.7   | <b>2.2kW</b>    |       |                 |       |                 |       | <b>2.2kW</b>    |       |                 |       |                 |       | 1.00            | 18699 | 1420            | 0.90  | F 157R97        | 4     | 1.00            | 18699 |                 |       | 1420            | 0.90  |                 |       | 1.09            | 17224 |                 |       | 1308            | 0.98  |                 |       | 1.21            | 15394 |                 |       | 1169            | 1.10  |                 |       | 1.49            | 12549 |                 |       | 953             | 1.35  |                 |       | 1.68            | 11127 |                 |       | 845             | 1.52  |                 |       | 1.86            | 10061 |                 |       | 764             | 1.68  |                 |       | 2.1             | 8954  |                 |       | 680             | 1.89  |                 |       | 2.5             | 7585  |                 |       | 576             | 2.2   | 3.2             | 5873  | 446             | 2.9   | 4.7             | 3964  | 301             | 4.3   | 5.2             | 3582  | 272             | 4.7   | 6.1             | 3042  | 231             | 5.6   | 7.2             | 2581  | 196             | 6.6   | 1.31            | 14288 | 1085            | 0.79  | 1.52            | 12339 | 937             | 0.91  | 1.72            | 10890 | 827             | 1.04  | 1.94            | 9652  | 733             | 1.17  | <b>F 127R77</b> |       |                 |       |                 |       | <b>F 127R77</b> |       |                 |       |                 |       |                 |       |                 |       |                 |       |                 |       |                 |       |                 |       |                 |       |                 |       |                 |       |                 |       |                 |       |                 |       |                 |       |                 |       |                 |       |                 |       |                 |       |                 |       |                 |       |                 |       |                 |       |                 |       |                 |       |                 |       |                 |       |                 |       |                 |       |                 |       |                 |       |                 |       |                 |       |                 |       |                 |       |                 |       |                 |       |                 |       |                 |       |                 |       |                 |       |                 |       |                 |       |                 |       |                 |       |                 |       |                 |       |                 |       |                 |       |                 |       |                 |       |                 |       |                 |       |                 |       |                 |       |                 |       |                 |       |                 |       |                 |       |                 |       |                 |       |                 |       |                 |       |                 |       |                 |       |                 |      |                 |       |                 |       |                 |       |                 |       |                 |       |                 |       |                 |       |                 |       |                 |       |                 |       |                 |       |                 |       |                 |       |                 |       |                 |       |                 |       |                 |       |                 |       |                 |       |                 |       |                 |       |                 |       |                 |       |                 |       |                 |       |                 |       |                 |       |                 |       |                 |       |                 |       |                 |       |                 |       |                 |       |                 |       |                 |       |                 |       |                 |       |                 |       |                 |      |                 |      |                 |      |                 |  |                 |  |                 |  |                 |  |  |  |  |  |  |  |  |  |  |  |  |  |  |  |  |  |
| 44              | 309        | 32.08    | 2.5                    | 51              | 264     | 27.41           | 2.9        | 56           | 242                    | 25.13           | 3.2     | 24           | 568  | 59.10           | 0.99  | 28              | 483   | 50.22           | 1.17  | 31              | 431   | 44.84        | 1.31  | 37              | 368   | 38.30           | 1.53  | 39           | 345   | 35.87        | 1.63  | 46              | 291   | 30.22        | 1.94  | 33           | 409   | 42.55           | 0.92  | 39           | 350   | 36.34        | 1.08  | 41              | 327   | 34.04        | 1.15  | 49           | 276   | 28.67           | 1.36  | 46           | 295   | 30.64        | 1.28  | 48              | 280   | 29.11        | 1.34  | 55           | 246   | 25.54           | 1.53  | 65           | 208   | 21.66        | 1.80  | 72              | 188   | 19.56        | 2.0   | 81           | 166   | 17.21           | 2.3   | 86           | 156   | 16.25        | 2.4   | 101             | 133   | 13.83        | 2.8   | 68           | 198   | 20.57           | 0.95  | 73           | 185   | 19.27        | 1.01  | 82              | 164   | 17.03        | 1.15  | 98           | 138   | 14.33           | 1.36  | 109          | 124   | 12.87        | 1.52  | 126          | 107   | 11.08        | 1.68  | 134          | 100   | 10.42        | 1.74  | 156          | 86    | 8.97         | 1.91  | 175          | 77    | 8.01         | 2.1   | 206             | 66    | 6.81         | 2.0   | 229             | 59    | 6.11            | 2.2   | 266             | 51    | 5.27            | 2.3   | 283             | 48    | 4.95            | 2.4   | 329             | 41    | 4.26            | 2.5   | 367             | 37    | 3.81            | 2.7   | <b>2.2kW</b>    |       |                 |       |                 |       | <b>2.2kW</b>    |       |                 |       |                 |       | 1.00            | 18699 | 1420            | 0.90  | F 157R97        | 4     | 1.00            | 18699 |                 |       | 1420            | 0.90  |                 |       | 1.09            | 17224 |                 |       | 1308            | 0.98  |                 |       | 1.21            | 15394 |                 |       | 1169            | 1.10  |                 |       | 1.49            | 12549 |                 |       | 953             | 1.35  |                 |       | 1.68            | 11127 |                 |       | 845             | 1.52  |                 |       | 1.86            | 10061 |                 |       | 764             | 1.68  |                 |       | 2.1             | 8954  |                 |       | 680             | 1.89  |                 |       | 2.5             | 7585  |                 |       | 576             | 2.2   | 3.2             | 5873  | 446             | 2.9   | 4.7             | 3964  | 301             | 4.3   | 5.2             | 3582  | 272             | 4.7   | 6.1             | 3042  | 231             | 5.6   | 7.2             | 2581  | 196             | 6.6   | 1.31            | 14288 | 1085            | 0.79  | 1.52            | 12339 | 937             | 0.91  | 1.72            | 10890 | 827             | 1.04  | 1.94            | 9652  | 733             | 1.17  | <b>F 127R77</b> |       |                 |       |                 |       | <b>F 127R77</b> |       |                 |       |                 |       |                 |       |                 |       |                 |       |                 |       |                 |       |                 |       |                 |       |                 |       |                 |       |                 |       |                 |       |                 |       |                 |       |                 |       |                 |       |                 |       |                 |       |                 |       |                 |       |                 |       |                 |       |                 |       |                 |       |                 |       |                 |       |                 |       |                 |       |                 |       |                 |       |                 |       |                 |       |                 |       |                 |       |                 |       |                 |       |                 |       |                 |       |                 |       |                 |       |                 |       |                 |       |                 |       |                 |       |                 |       |                 |       |                 |       |                 |       |                 |       |                 |       |                 |       |                 |       |                 |       |                 |       |                 |       |                 |       |                 |       |                 |       |                 |       |                 |       |                 |       |                 |       |                 |       |                 |       |                 |       |                 |       |                 |      |                 |       |                 |       |                 |       |                 |       |                 |       |                 |       |                 |       |                 |       |                 |       |                 |       |                 |       |                 |       |                 |       |                 |       |                 |       |                 |       |                 |       |                 |       |                 |       |                 |       |                 |       |                 |       |                 |       |                 |       |                 |       |                 |       |                 |       |                 |       |                 |       |                 |       |                 |       |                 |       |                 |       |                 |       |                 |       |                 |       |                 |       |                 |       |                 |      |                 |      |                 |      |                 |  |                 |  |                 |  |                 |  |  |  |  |  |  |  |  |  |  |  |  |  |  |  |  |  |
| 51              | 264        | 27.41    | 2.9                    | 56              | 242     | 25.13           | 3.2        | 24           | 568                    | 59.10           | 0.99    | 28           | 483  | 50.22           | 1.17  | 31              | 431   | 44.84           | 1.31  | 37              | 368   | 38.30        | 1.53  | 39              | 345   | 35.87           | 1.63  | 46           | 291   | 30.22        | 1.94  | 33              | 409   | 42.55        | 0.92  | 39           | 350   | 36.34           | 1.08  | 41           | 327   | 34.04        | 1.15  | 49              | 276   | 28.67        | 1.36  | 46           | 295   | 30.64           | 1.28  | 48           | 280   | 29.11        | 1.34  | 55              | 246   | 25.54        | 1.53  | 65           | 208   | 21.66           | 1.80  | 72           | 188   | 19.56        | 2.0   | 81              | 166   | 17.21        | 2.3   | 86           | 156   | 16.25           | 2.4   | 101          | 133   | 13.83        | 2.8   | 68              | 198   | 20.57        | 0.95  | 73           | 185   | 19.27           | 1.01  | 82           | 164   | 17.03        | 1.15  | 98              | 138   | 14.33        | 1.36  | 109          | 124   | 12.87           | 1.52  | 126          | 107   | 11.08        | 1.68  | 134          | 100   | 10.42        | 1.74  | 156          | 86    | 8.97         | 1.91  | 175          | 77    | 8.01         | 2.1   | 206          | 66    | 6.81         | 2.0   | 229             | 59    | 6.11         | 2.2   | 266             | 51    | 5.27            | 2.3   | 283             | 48    | 4.95            | 2.4   | 329             | 41    | 4.26            | 2.5   | 367             | 37    | 3.81            | 2.7   | <b>2.2kW</b>    |       |                 |       |                 |       | <b>2.2kW</b>    |       |                 |       |                 |       | 1.00            | 18699 | 1420            | 0.90  | F 157R97        | 4     | 1.00            | 18699 |                 |       | 1420            | 0.90  |                 |       | 1.09            | 17224 |                 |       | 1308            | 0.98  |                 |       | 1.21            | 15394 |                 |       | 1169            | 1.10  |                 |       | 1.49            | 12549 |                 |       | 953             | 1.35  |                 |       | 1.68            | 11127 |                 |       | 845             | 1.52  |                 |       | 1.86            | 10061 |                 |       | 764             | 1.68  |                 |       | 2.1             | 8954  |                 |       | 680             | 1.89  |                 |       | 2.5             | 7585  |                 |       | 576             | 2.2   | 3.2             | 5873  | 446             | 2.9   | 4.7             | 3964  | 301             | 4.3   | 5.2             | 3582  | 272             | 4.7   | 6.1             | 3042  | 231             | 5.6   | 7.2             | 2581  | 196             | 6.6   | 1.31            | 14288 | 1085            | 0.79  | 1.52            | 12339 | 937             | 0.91  | 1.72            | 10890 | 827             | 1.04  | 1.94            | 9652  | 733             | 1.17  | <b>F 127R77</b> |       |                 |       |                 |       | <b>F 127R77</b> |       |                 |       |                 |       |                 |       |                 |       |                 |       |                 |       |                 |       |                 |       |                 |       |                 |       |                 |       |                 |       |                 |       |                 |       |                 |       |                 |       |                 |       |                 |       |                 |       |                 |       |                 |       |                 |       |                 |       |                 |       |                 |       |                 |       |                 |       |                 |       |                 |       |                 |       |                 |       |                 |       |                 |       |                 |       |                 |       |                 |       |                 |       |                 |       |                 |       |                 |       |                 |       |                 |       |                 |       |                 |       |                 |       |                 |       |                 |       |                 |       |                 |       |                 |       |                 |       |                 |       |                 |       |                 |       |                 |       |                 |       |                 |       |                 |       |                 |       |                 |       |                 |       |                 |       |                 |       |                 |       |                 |       |                 |       |                 |       |                 |       |                 |       |                 |      |                 |       |                 |       |                 |       |                 |       |                 |       |                 |       |                 |       |                 |       |                 |       |                 |       |                 |       |                 |       |                 |       |                 |       |                 |       |                 |       |                 |       |                 |       |                 |       |                 |       |                 |       |                 |       |                 |       |                 |       |                 |       |                 |       |                 |       |                 |       |                 |       |                 |       |                 |       |                 |       |                 |       |                 |       |                 |       |                 |       |                 |       |                 |       |                 |      |                 |      |                 |      |                 |  |                 |  |                 |  |                 |  |  |  |  |  |  |  |  |  |  |  |  |  |  |  |  |  |
| 56              | 242        | 25.13    | 3.2                    | 24              | 568     | 59.10           | 0.99       | 28           | 483                    | 50.22           | 1.17    | 31           | 431  | 44.84           | 1.31  | 37              | 368   | 38.30           | 1.53  | 39              | 345   | 35.87        | 1.63  | 46              | 291   | 30.22           | 1.94  | 33           | 409   | 42.55        | 0.92  | 39              | 350   | 36.34        | 1.08  | 41           | 327   | 34.04           | 1.15  | 49           | 276   | 28.67        | 1.36  | 46              | 295   | 30.64        | 1.28  | 48           | 280   | 29.11           | 1.34  | 55           | 246   | 25.54        | 1.53  | 65              | 208   | 21.66        | 1.80  | 72           | 188   | 19.56           | 2.0   | 81           | 166   | 17.21        | 2.3   | 86              | 156   | 16.25        | 2.4   | 101          | 133   | 13.83           | 2.8   | 68           | 198   | 20.57        | 0.95  | 73              | 185   | 19.27        | 1.01  | 82           | 164   | 17.03           | 1.15  | 98           | 138   | 14.33        | 1.36  | 109             | 124   | 12.87        | 1.52  | 126          | 107   | 11.08           | 1.68  | 134          | 100   | 10.42        | 1.74  | 156          | 86    | 8.97         | 1.91  | 175          | 77    | 8.01         | 2.1   | 206          | 66    | 6.81         | 2.0   | 229          | 59    | 6.11         | 2.2   | 266             | 51    | 5.27         | 2.3   | 283             | 48    | 4.95            | 2.4   | 329             | 41    | 4.26            | 2.5   | 367             | 37    | 3.81            | 2.7   | <b>2.2kW</b>    |       |                 |       |                 |       | <b>2.2kW</b>    |       |                 |       |                 |       | 1.00            | 18699 | 1420            | 0.90  | F 157R97        | 4     | 1.00            | 18699 |                 |       | 1420            | 0.90  |                 |       | 1.09            | 17224 |                 |       | 1308            | 0.98  |                 |       | 1.21            | 15394 |                 |       | 1169            | 1.10  |                 |       | 1.49            | 12549 |                 |       | 953             | 1.35  |                 |       | 1.68            | 11127 |                 |       | 845             | 1.52  |                 |       | 1.86            | 10061 |                 |       | 764             | 1.68  |                 |       | 2.1             | 8954  |                 |       | 680             | 1.89  |                 |       | 2.5             | 7585  |                 |       | 576             | 2.2   | 3.2             | 5873  | 446             | 2.9   | 4.7             | 3964  | 301             | 4.3   | 5.2             | 3582  | 272             | 4.7   | 6.1             | 3042  | 231             | 5.6   | 7.2             | 2581  | 196             | 6.6   | 1.31            | 14288 | 1085            | 0.79  | 1.52            | 12339 | 937             | 0.91  | 1.72            | 10890 | 827             | 1.04  | 1.94            | 9652  | 733             | 1.17  | <b>F 127R77</b> |       |                 |       |                 |       | <b>F 127R77</b> |       |                 |       |                 |       |                 |       |                 |       |                 |       |                 |       |                 |       |                 |       |                 |       |                 |       |                 |       |                 |       |                 |       |                 |       |                 |       |                 |       |                 |       |                 |       |                 |       |                 |       |                 |       |                 |       |                 |       |                 |       |                 |       |                 |       |                 |       |                 |       |                 |       |                 |       |                 |       |                 |       |                 |       |                 |       |                 |       |                 |       |                 |       |                 |       |                 |       |                 |       |                 |       |                 |       |                 |       |                 |       |                 |       |                 |       |                 |       |                 |       |                 |       |                 |       |                 |       |                 |       |                 |       |                 |       |                 |       |                 |       |                 |       |                 |       |                 |       |                 |       |                 |       |                 |       |                 |       |                 |       |                 |       |                 |       |                 |       |                 |       |                 |       |                 |       |                 |       |                 |      |                 |       |                 |       |                 |       |                 |       |                 |       |                 |       |                 |       |                 |       |                 |       |                 |       |                 |       |                 |       |                 |       |                 |       |                 |       |                 |       |                 |       |                 |       |                 |       |                 |       |                 |       |                 |       |                 |       |                 |       |                 |       |                 |       |                 |       |                 |       |                 |       |                 |       |                 |       |                 |       |                 |       |                 |       |                 |       |                 |       |                 |       |                 |       |                 |      |                 |      |                 |      |                 |  |                 |  |                 |  |                 |  |  |  |  |  |  |  |  |  |  |  |  |  |  |  |  |  |
| 24              | 568        | 59.10    | 0.99                   | 28              | 483     | 50.22           | 1.17       | 31           | 431                    | 44.84           | 1.31    | 37           | 368  | 38.30           | 1.53  | 39              | 345   | 35.87           | 1.63  | 46              | 291   | 30.22        | 1.94  | 33              | 409   | 42.55           | 0.92  | 39           | 350   | 36.34        | 1.08  | 41              | 327   | 34.04        | 1.15  | 49           | 276   | 28.67           | 1.36  | 46           | 295   | 30.64        | 1.28  | 48              | 280   | 29.11        | 1.34  | 55           | 246   | 25.54           | 1.53  | 65           | 208   | 21.66        | 1.80  | 72              | 188   | 19.56        | 2.0   | 81           | 166   | 17.21           | 2.3   | 86           | 156   | 16.25        | 2.4   | 101             | 133   | 13.83        | 2.8   | 68           | 198   | 20.57           | 0.95  | 73           | 185   | 19.27        | 1.01  | 82              | 164   | 17.03        | 1.15  | 98           | 138   | 14.33           | 1.36  | 109          | 124   | 12.87        | 1.52  | 126             | 107   | 11.08        | 1.68  | 134          | 100   | 10.42           | 1.74  | 156          | 86    | 8.97         | 1.91  | 175          | 77    | 8.01         | 2.1   | 206          | 66    | 6.81         | 2.0   | 229          | 59    | 6.11         | 2.2   | 266          | 51    | 5.27         | 2.3   | 283             | 48    | 4.95         | 2.4   | 329             | 41    | 4.26            | 2.5   | 367             | 37    | 3.81            | 2.7   | <b>2.2kW</b>    |       |                 |       |                 |       | <b>2.2kW</b>    |       |                 |       |                 |       | 1.00            | 18699 | 1420            | 0.90  | F 157R97        | 4     | 1.00            | 18699 |                 |       | 1420            | 0.90  |                 |       | 1.09            | 17224 |                 |       | 1308            | 0.98  |                 |       | 1.21            | 15394 |                 |       | 1169            | 1.10  |                 |       | 1.49            | 12549 |                 |       | 953             | 1.35  |                 |       | 1.68            | 11127 |                 |       | 845             | 1.52  |                 |       | 1.86            | 10061 |                 |       | 764             | 1.68  |                 |       | 2.1             | 8954  |                 |       | 680             | 1.89  |                 |       | 2.5             | 7585  |                 |       | 576             | 2.2   | 3.2             | 5873  | 446             | 2.9   | 4.7             | 3964  | 301             | 4.3   | 5.2             | 3582  | 272             | 4.7   | 6.1             | 3042  | 231             | 5.6   | 7.2             | 2581  | 196             | 6.6   | 1.31            | 14288 | 1085            | 0.79  | 1.52            | 12339 | 937             | 0.91  | 1.72            | 10890 | 827             | 1.04  | 1.94            | 9652  | 733             | 1.17  | <b>F 127R77</b> |       |                 |       |                 |       | <b>F 127R77</b> |       |                 |       |                 |       |                 |       |                 |       |                 |       |                 |       |                 |       |                 |       |                 |       |                 |       |                 |       |                 |       |                 |       |                 |       |                 |       |                 |       |                 |       |                 |       |                 |       |                 |       |                 |       |                 |       |                 |       |                 |       |                 |       |                 |       |                 |       |                 |       |                 |       |                 |       |                 |       |                 |       |                 |       |                 |       |                 |       |                 |       |                 |       |                 |       |                 |       |                 |       |                 |       |                 |       |                 |       |                 |       |                 |       |                 |       |                 |       |                 |       |                 |       |                 |       |                 |       |                 |       |                 |       |                 |       |                 |       |                 |       |                 |       |                 |       |                 |       |                 |       |                 |       |                 |       |                 |       |                 |       |                 |       |                 |       |                 |       |                 |       |                 |       |                 |       |                 |       |                 |       |                 |       |                 |      |                 |       |                 |       |                 |       |                 |       |                 |       |                 |       |                 |       |                 |       |                 |       |                 |       |                 |       |                 |       |                 |       |                 |       |                 |       |                 |       |                 |       |                 |       |                 |       |                 |       |                 |       |                 |       |                 |       |                 |       |                 |       |                 |       |                 |       |                 |       |                 |       |                 |       |                 |       |                 |       |                 |       |                 |       |                 |       |                 |       |                 |       |                 |       |                 |      |                 |      |                 |      |                 |  |                 |  |                 |  |                 |  |  |  |  |  |  |  |  |  |  |  |  |  |  |  |  |  |
| 28              | 483        | 50.22    | 1.17                   | 31              | 431     | 44.84           | 1.31       | 37           | 368                    | 38.30           | 1.53    | 39           | 345  | 35.87           | 1.63  | 46              | 291   | 30.22           | 1.94  | 33              | 409   | 42.55        | 0.92  | 39              | 350   | 36.34           | 1.08  | 41           | 327   | 34.04        | 1.15  | 49              | 276   | 28.67        | 1.36  | 46           | 295   | 30.64           | 1.28  | 48           | 280   | 29.11        | 1.34  | 55              | 246   | 25.54        | 1.53  | 65           | 208   | 21.66           | 1.80  | 72           | 188   | 19.56        | 2.0   | 81              | 166   | 17.21        | 2.3   | 86           | 156   | 16.25           | 2.4   | 101          | 133   | 13.83        | 2.8   | 68              | 198   | 20.57        | 0.95  | 73           | 185   | 19.27           | 1.01  | 82           | 164   | 17.03        | 1.15  | 98              | 138   | 14.33        | 1.36  | 109          | 124   | 12.87           | 1.52  | 126          | 107   | 11.08        | 1.68  | 134             | 100   | 10.42        | 1.74  | 156          | 86    | 8.97            | 1.91  | 175          | 77    | 8.01         | 2.1   | 206          | 66    | 6.81         | 2.0   | 229          | 59    | 6.11         | 2.2   | 266          | 51    | 5.27         | 2.3   | 283          | 48    | 4.95         | 2.4   | 329             | 41    | 4.26         | 2.5   | 367             | 37    | 3.81            | 2.7   | <b>2.2kW</b>    |       |                 |       |                 |       | <b>2.2kW</b>    |       |                 |       |                 |       | 1.00            | 18699 | 1420            | 0.90  | F 157R97        | 4     | 1.00            | 18699 |                 |       | 1420            | 0.90  |                 |       | 1.09            | 17224 |                 |       | 1308            | 0.98  |                 |       | 1.21            | 15394 |                 |       | 1169            | 1.10  |                 |       | 1.49            | 12549 |                 |       | 953             | 1.35  |                 |       | 1.68            | 11127 |                 |       | 845             | 1.52  |                 |       | 1.86            | 10061 |                 |       | 764             | 1.68  |                 |       | 2.1             | 8954  |                 |       | 680             | 1.89  |                 |       | 2.5             | 7585  |                 |       | 576             | 2.2   | 3.2             | 5873  | 446             | 2.9   | 4.7             | 3964  | 301             | 4.3   | 5.2             | 3582  | 272             | 4.7   | 6.1             | 3042  | 231             | 5.6   | 7.2             | 2581  | 196             | 6.6   | 1.31            | 14288 | 1085            | 0.79  | 1.52            | 12339 | 937             | 0.91  | 1.72            | 10890 | 827             | 1.04  | 1.94            | 9652  | 733             | 1.17  | <b>F 127R77</b> |       |                 |       |                 |       | <b>F 127R77</b> |       |                 |       |                 |       |                 |       |                 |       |                 |       |                 |       |                 |       |                 |       |                 |       |                 |       |                 |       |                 |       |                 |       |                 |       |                 |       |                 |       |                 |       |                 |       |                 |       |                 |       |                 |       |                 |       |                 |       |                 |       |                 |       |                 |       |                 |       |                 |       |                 |       |                 |       |                 |       |                 |       |                 |       |                 |       |                 |       |                 |       |                 |       |                 |       |                 |       |                 |       |                 |       |                 |       |                 |       |                 |       |                 |       |                 |       |                 |       |                 |       |                 |       |                 |       |                 |       |                 |       |                 |       |                 |       |                 |       |                 |       |                 |       |                 |       |                 |       |                 |       |                 |       |                 |       |                 |       |                 |       |                 |       |                 |       |                 |       |                 |       |                 |       |                 |       |                 |       |                 |       |                 |       |                 |       |                 |       |                 |      |                 |       |                 |       |                 |       |                 |       |                 |       |                 |       |                 |       |                 |       |                 |       |                 |       |                 |       |                 |       |                 |       |                 |       |                 |       |                 |       |                 |       |                 |       |                 |       |                 |       |                 |       |                 |       |                 |       |                 |       |                 |       |                 |       |                 |       |                 |       |                 |       |                 |       |                 |       |                 |       |                 |       |                 |       |                 |       |                 |       |                 |       |                 |       |                 |      |                 |      |                 |      |                 |  |                 |  |                 |  |                 |  |  |  |  |  |  |  |  |  |  |  |  |  |  |  |  |  |
| 31              | 431        | 44.84    | 1.31                   | 37              | 368     | 38.30           | 1.53       | 39           | 345                    | 35.87           | 1.63    | 46           | 291  | 30.22           | 1.94  | 33              | 409   | 42.55           | 0.92  | 39              | 350   | 36.34        | 1.08  | 41              | 327   | 34.04           | 1.15  | 49           | 276   | 28.67        | 1.36  | 46              | 295   | 30.64        | 1.28  | 48           | 280   | 29.11           | 1.34  | 55           | 246   | 25.54        | 1.53  | 65              | 208   | 21.66        | 1.80  | 72           | 188   | 19.56           | 2.0   | 81           | 166   | 17.21        | 2.3   | 86              | 156   | 16.25        | 2.4   | 101          | 133   | 13.83           | 2.8   | 68           | 198   | 20.57        | 0.95  | 73              | 185   | 19.27        | 1.01  | 82           | 164   | 17.03           | 1.15  | 98           | 138   | 14.33        | 1.36  | 109             | 124   | 12.87        | 1.52  | 126          | 107   | 11.08           | 1.68  | 134          | 100   | 10.42        | 1.74  | 156             | 86    | 8.97         | 1.91  | 175          | 77    | 8.01            | 2.1   | 206          | 66    | 6.81         | 2.0   | 229          | 59    | 6.11         | 2.2   | 266          | 51    | 5.27         | 2.3   | 283          | 48    | 4.95         | 2.4   | 329          | 41    | 4.26         | 2.5   | 367             | 37    | 3.81         | 2.7   | <b>2.2kW</b>    |       |                 |       |                 |       | <b>2.2kW</b>    |       |                 |       |                 |       | 1.00            | 18699 | 1420            | 0.90  | F 157R97        | 4     | 1.00            | 18699 |                 |       | 1420            | 0.90  |                 |       | 1.09            | 17224 |                 |       | 1308            | 0.98  |                 |       | 1.21            | 15394 |                 |       | 1169            | 1.10  |                 |       | 1.49            | 12549 |                 |       | 953             | 1.35  |                 |       | 1.68            | 11127 |                 |       | 845             | 1.52  |                 |       | 1.86            | 10061 |                 |       | 764             | 1.68  |                 |       | 2.1             | 8954  |                 |       | 680             | 1.89  |                 |       | 2.5             | 7585  |                 |       | 576             | 2.2   | 3.2             | 5873  | 446             | 2.9   | 4.7             | 3964  | 301             | 4.3   | 5.2             | 3582  | 272             | 4.7   | 6.1             | 3042  | 231             | 5.6   | 7.2             | 2581  | 196             | 6.6   | 1.31            | 14288 | 1085            | 0.79  | 1.52            | 12339 | 937             | 0.91  | 1.72            | 10890 | 827             | 1.04  | 1.94            | 9652  | 733             | 1.17  | <b>F 127R77</b> |       |                 |       |                 |       | <b>F 127R77</b> |       |                 |       |                 |       |                 |       |                 |       |                 |       |                 |       |                 |       |                 |       |                 |       |                 |       |                 |       |                 |       |                 |       |                 |       |                 |       |                 |       |                 |       |                 |       |                 |       |                 |       |                 |       |                 |       |                 |       |                 |       |                 |       |                 |       |                 |       |                 |       |                 |       |                 |       |                 |       |                 |       |                 |       |                 |       |                 |       |                 |       |                 |       |                 |       |                 |       |                 |       |                 |       |                 |       |                 |       |                 |       |                 |       |                 |       |                 |       |                 |       |                 |       |                 |       |                 |       |                 |       |                 |       |                 |       |                 |       |                 |       |                 |       |                 |       |                 |       |                 |       |                 |       |                 |       |                 |       |                 |       |                 |       |                 |       |                 |       |                 |       |                 |       |                 |       |                 |       |                 |       |                 |       |                 |       |                 |       |                 |       |                 |       |                 |      |                 |       |                 |       |                 |       |                 |       |                 |       |                 |       |                 |       |                 |       |                 |       |                 |       |                 |       |                 |       |                 |       |                 |       |                 |       |                 |       |                 |       |                 |       |                 |       |                 |       |                 |       |                 |       |                 |       |                 |       |                 |       |                 |       |                 |       |                 |       |                 |       |                 |       |                 |       |                 |       |                 |       |                 |       |                 |       |                 |       |                 |       |                 |       |                 |      |                 |      |                 |      |                 |  |                 |  |                 |  |                 |  |  |  |  |  |  |  |  |  |  |  |  |  |  |  |  |  |
| 37              | 368        | 38.30    | 1.53                   | 39              | 345     | 35.87           | 1.63       | 46           | 291                    | 30.22           | 1.94    | 33           | 409  | 42.55           | 0.92  | 39              | 350   | 36.34           | 1.08  | 41              | 327   | 34.04        | 1.15  | 49              | 276   | 28.67           | 1.36  | 46           | 295   | 30.64        | 1.28  | 48              | 280   | 29.11        | 1.34  | 55           | 246   | 25.54           | 1.53  | 65           | 208   | 21.66        | 1.80  | 72              | 188   | 19.56        | 2.0   | 81           | 166   | 17.21           | 2.3   | 86           | 156   | 16.25        | 2.4   | 101             | 133   | 13.83        | 2.8   | 68           | 198   | 20.57           | 0.95  | 73           | 185   | 19.27        | 1.01  | 82              | 164   | 17.03        | 1.15  | 98           | 138   | 14.33           | 1.36  | 109          | 124   | 12.87        | 1.52  | 126             | 107   | 11.08        | 1.68  | 134          | 100   | 10.42           | 1.74  | 156          | 86    | 8.97         | 1.91  | 175             | 77    | 8.01         | 2.1   | 206          | 66    | 6.81            | 2.0   | 229          | 59    | 6.11         | 2.2   | 266          | 51    | 5.27         | 2.3   | 283          | 48    | 4.95         | 2.4   | 329          | 41    | 4.26         | 2.5   | 367          | 37    | 3.81         | 2.7   | <b>2.2kW</b>    |       |              |       |                 |       | <b>2.2kW</b>    |       |                 |       |                 |       | 1.00            | 18699 | 1420            | 0.90  | F 157R97        | 4     | 1.00            | 18699 |                 |       | 1420            | 0.90  |                 |       | 1.09            | 17224 |                 |       | 1308            | 0.98  |                 |       | 1.21            | 15394 |                 |       | 1169            | 1.10  |                 |       | 1.49            | 12549 |                 |       | 953             | 1.35  |                 |       | 1.68            | 11127 |                 |       | 845             | 1.52  |                 |       | 1.86            | 10061 |                 |       | 764             | 1.68  |                 |       | 2.1             | 8954  |                 |       | 680             | 1.89  |                 |       | 2.5             | 7585  |                 |       | 576             | 2.2   | 3.2             | 5873  | 446             | 2.9   | 4.7             | 3964  | 301             | 4.3   | 5.2             | 3582  | 272             | 4.7   | 6.1             | 3042  | 231             | 5.6   | 7.2             | 2581  | 196             | 6.6   | 1.31            | 14288 | 1085            | 0.79  | 1.52            | 12339 | 937             | 0.91  | 1.72            | 10890 | 827             | 1.04  | 1.94            | 9652  | 733             | 1.17  | <b>F 127R77</b> |       |                 |       |                 |       | <b>F 127R77</b> |       |                 |       |                 |       |                 |       |                 |       |                 |       |                 |       |                 |       |                 |       |                 |       |                 |       |                 |       |                 |       |                 |       |                 |       |                 |       |                 |       |                 |       |                 |       |                 |       |                 |       |                 |       |                 |       |                 |       |                 |       |                 |       |                 |       |                 |       |                 |       |                 |       |                 |       |                 |       |                 |       |                 |       |                 |       |                 |       |                 |       |                 |       |                 |       |                 |       |                 |       |                 |       |                 |       |                 |       |                 |       |                 |       |                 |       |                 |       |                 |       |                 |       |                 |       |                 |       |                 |       |                 |       |                 |       |                 |       |                 |       |                 |       |                 |       |                 |       |                 |       |                 |       |                 |       |                 |       |                 |       |                 |       |                 |       |                 |       |                 |       |                 |       |                 |       |                 |       |                 |       |                 |       |                 |       |                 |       |                 |       |                 |       |                 |       |                 |       |                 |      |                 |       |                 |       |                 |       |                 |       |                 |       |                 |       |                 |       |                 |       |                 |       |                 |       |                 |       |                 |       |                 |       |                 |       |                 |       |                 |       |                 |       |                 |       |                 |       |                 |       |                 |       |                 |       |                 |       |                 |       |                 |       |                 |       |                 |       |                 |       |                 |       |                 |       |                 |       |                 |       |                 |       |                 |       |                 |       |                 |       |                 |       |                 |       |                 |      |                 |      |                 |      |                 |  |                 |  |                 |  |                 |  |  |  |  |  |  |  |  |  |  |  |  |  |  |  |  |  |
| 39              | 345        | 35.87    | 1.63                   | 46              | 291     | 30.22           | 1.94       | 33           | 409                    | 42.55           | 0.92    | 39           | 350  | 36.34           | 1.08  | 41              | 327   | 34.04           | 1.15  | 49              | 276   | 28.67        | 1.36  | 46              | 295   | 30.64           | 1.28  | 48           | 280   | 29.11        | 1.34  | 55              | 246   | 25.54        | 1.53  | 65           | 208   | 21.66           | 1.80  | 72           | 188   | 19.56        | 2.0   | 81              | 166   | 17.21        | 2.3   | 86           | 156   | 16.25           | 2.4   | 101          | 133   | 13.83        | 2.8   | 68              | 198   | 20.57        | 0.95  | 73           | 185   | 19.27           | 1.01  | 82           | 164   | 17.03        | 1.15  | 98              | 138   | 14.33        | 1.36  | 109          | 124   | 12.87           | 1.52  | 126          | 107   | 11.08        | 1.68  | 134             | 100   | 10.42        | 1.74  | 156          | 86    | 8.97            | 1.91  | 175          | 77    | 8.01         | 2.1   | 206             | 66    | 6.81         | 2.0   | 229          | 59    | 6.11            | 2.2   | 266          | 51    | 5.27         | 2.3   | 283          | 48    | 4.95         | 2.4   | 329          | 41    | 4.26         | 2.5   | 367          | 37    | 3.81         | 2.7   | <b>2.2kW</b> |       |              |       |                 |       | <b>2.2kW</b> |       |                 |       |                 |       | 1.00            | 18699 | 1420            | 0.90  | F 157R97        | 4     | 1.00            | 18699 |                 |       | 1420            | 0.90  |                 |       | 1.09            | 17224 |                 |       | 1308            | 0.98  |                 |       | 1.21            | 15394 |                 |       | 1169            | 1.10  |                 |       | 1.49            | 12549 |                 |       | 953             | 1.35  |                 |       | 1.68            | 11127 |                 |       | 845             | 1.52  |                 |       | 1.86            | 10061 |                 |       | 764             | 1.68  |                 |       | 2.1             | 8954  |                 |       | 680             | 1.89  |                 |       | 2.5             | 7585  |                 |       | 576             | 2.2   | 3.2             | 5873  | 446             | 2.9   | 4.7             | 3964  | 301             | 4.3   | 5.2             | 3582  | 272             | 4.7   | 6.1             | 3042  | 231             | 5.6   | 7.2             | 2581  | 196             | 6.6   | 1.31            | 14288 | 1085            | 0.79  | 1.52            | 12339 | 937             | 0.91  | 1.72            | 10890 | 827             | 1.04  | 1.94            | 9652  | 733             | 1.17  | <b>F 127R77</b> |       |                 |       |                 |       | <b>F 127R77</b> |       |                 |       |                 |       |                 |       |                 |       |                 |       |                 |       |                 |       |                 |       |                 |       |                 |       |                 |       |                 |       |                 |       |                 |       |                 |       |                 |       |                 |       |                 |       |                 |       |                 |       |                 |       |                 |       |                 |       |                 |       |                 |       |                 |       |                 |       |                 |       |                 |       |                 |       |                 |       |                 |       |                 |       |                 |       |                 |       |                 |       |                 |       |                 |       |                 |       |                 |       |                 |       |                 |       |                 |       |                 |       |                 |       |                 |       |                 |       |                 |       |                 |       |                 |       |                 |       |                 |       |                 |       |                 |       |                 |       |                 |       |                 |       |                 |       |                 |       |                 |       |                 |       |                 |       |                 |       |                 |       |                 |       |                 |       |                 |       |                 |       |                 |       |                 |       |                 |       |                 |       |                 |       |                 |       |                 |       |                 |       |                 |       |                 |       |                 |       |                 |       |                 |       |                 |      |                 |       |                 |       |                 |       |                 |       |                 |       |                 |       |                 |       |                 |       |                 |       |                 |       |                 |       |                 |       |                 |       |                 |       |                 |       |                 |       |                 |       |                 |       |                 |       |                 |       |                 |       |                 |       |                 |       |                 |       |                 |       |                 |       |                 |       |                 |       |                 |       |                 |       |                 |       |                 |       |                 |       |                 |       |                 |       |                 |       |                 |       |                 |       |                 |      |                 |      |                 |      |                 |  |                 |  |                 |  |                 |  |  |  |  |  |  |  |  |  |  |  |  |  |  |  |  |  |
| 46              | 291        | 30.22    | 1.94                   | 33              | 409     | 42.55           | 0.92       | 39           | 350                    | 36.34           | 1.08    | 41           | 327  | 34.04           | 1.15  | 49              | 276   | 28.67           | 1.36  | 46              | 295   | 30.64        | 1.28  | 48              | 280   | 29.11           | 1.34  | 55           | 246   | 25.54        | 1.53  | 65              | 208   | 21.66        | 1.80  | 72           | 188   | 19.56           | 2.0   | 81           | 166   | 17.21        | 2.3   | 86              | 156   | 16.25        | 2.4   | 101          | 133   | 13.83           | 2.8   | 68           | 198   | 20.57        | 0.95  | 73              | 185   | 19.27        | 1.01  | 82           | 164   | 17.03           | 1.15  | 98           | 138   | 14.33        | 1.36  | 109             | 124   | 12.87        | 1.52  | 126          | 107   | 11.08           | 1.68  | 134          | 100   | 10.42        | 1.74  | 156             | 86    | 8.97         | 1.91  | 175          | 77    | 8.01            | 2.1   | 206          | 66    | 6.81         | 2.0   | 229             | 59    | 6.11         | 2.2   | 266          | 51    | 5.27            | 2.3   | 283          | 48    | 4.95         | 2.4   | 329          | 41    | 4.26         | 2.5   | 367          | 37    | 3.81         | 2.7   | <b>2.2kW</b> |       |              |       |              |       | <b>2.2kW</b> |       |                 |       |              |       | 1.00            | 18699 | 1420            | 0.90  | F 157R97        | 4     | 1.00            | 18699 |                 |       | 1420            | 0.90  |                 |       | 1.09            | 17224 |                 |       | 1308            | 0.98  |                 |       | 1.21            | 15394 |                 |       | 1169            | 1.10  |                 |       | 1.49            | 12549 |                 |       | 953             | 1.35  |                 |       | 1.68            | 11127 |                 |       | 845             | 1.52  |                 |       | 1.86            | 10061 |                 |       | 764             | 1.68  |                 |       | 2.1             | 8954  |                 |       | 680             | 1.89  |                 |       | 2.5             | 7585  |                 |       | 576             | 2.2   | 3.2             | 5873  | 446             | 2.9   | 4.7             | 3964  | 301             | 4.3   | 5.2             | 3582  | 272             | 4.7   | 6.1             | 3042  | 231             | 5.6   | 7.2             | 2581  | 196             | 6.6   | 1.31            | 14288 | 1085            | 0.79  | 1.52            | 12339 | 937             | 0.91  | 1.72            | 10890 | 827             | 1.04  | 1.94            | 9652  | 733             | 1.17  | <b>F 127R77</b> |       |                 |       |                 |       | <b>F 127R77</b> |       |                 |       |                 |       |                 |       |                 |       |                 |       |                 |       |                 |       |                 |       |                 |       |                 |       |                 |       |                 |       |                 |       |                 |       |                 |       |                 |       |                 |       |                 |       |                 |       |                 |       |                 |       |                 |       |                 |       |                 |       |                 |       |                 |       |                 |       |                 |       |                 |       |                 |       |                 |       |                 |       |                 |       |                 |       |                 |       |                 |       |                 |       |                 |       |                 |       |                 |       |                 |       |                 |       |                 |       |                 |       |                 |       |                 |       |                 |       |                 |       |                 |       |                 |       |                 |       |                 |       |                 |       |                 |       |                 |       |                 |       |                 |       |                 |       |                 |       |                 |       |                 |       |                 |       |                 |       |                 |       |                 |       |                 |       |                 |       |                 |       |                 |       |                 |       |                 |       |                 |       |                 |       |                 |       |                 |       |                 |       |                 |       |                 |       |                 |       |                 |       |                 |       |                 |       |                 |       |                 |      |                 |       |                 |       |                 |       |                 |       |                 |       |                 |       |                 |       |                 |       |                 |       |                 |       |                 |       |                 |       |                 |       |                 |       |                 |       |                 |       |                 |       |                 |       |                 |       |                 |       |                 |       |                 |       |                 |       |                 |       |                 |       |                 |       |                 |       |                 |       |                 |       |                 |       |                 |       |                 |       |                 |       |                 |       |                 |       |                 |       |                 |       |                 |       |                 |      |                 |      |                 |      |                 |  |                 |  |                 |  |                 |  |  |  |  |  |  |  |  |  |  |  |  |  |  |  |  |  |
| 33              | 409        | 42.55    | 0.92                   | 39              | 350     | 36.34           | 1.08       | 41           | 327                    | 34.04           | 1.15    | 49           | 276  | 28.67           | 1.36  | 46              | 295   | 30.64           | 1.28  | 48              | 280   | 29.11        | 1.34  | 55              | 246   | 25.54           | 1.53  | 65           | 208   | 21.66        | 1.80  | 72              | 188   | 19.56        | 2.0   | 81           | 166   | 17.21           | 2.3   | 86           | 156   | 16.25        | 2.4   | 101             | 133   | 13.83        | 2.8   | 68           | 198   | 20.57           | 0.95  | 73           | 185   | 19.27        | 1.01  | 82              | 164   | 17.03        | 1.15  | 98           | 138   | 14.33           | 1.36  | 109          | 124   | 12.87        | 1.52  | 126             | 107   | 11.08        | 1.68  | 134          | 100   | 10.42           | 1.74  | 156          | 86    | 8.97         | 1.91  | 175             | 77    | 8.01         | 2.1   | 206          | 66    | 6.81            | 2.0   | 229          | 59    | 6.11         | 2.2   | 266             | 51    | 5.27         | 2.3   | 283          | 48    | 4.95            | 2.4   | 329          | 41    | 4.26         | 2.5   | 367          | 37    | 3.81         | 2.7   | <b>2.2kW</b> |       |              |       |              |       | <b>2.2kW</b> |       |              |       |              |       | 1.00            | 18699 | 1420         | 0.90  | F 157R97        | 4     | 1.00            | 18699 |                 |       | 1420            | 0.90  |                 |       | 1.09            | 17224 |                 |       | 1308            | 0.98  |                 |       | 1.21            | 15394 |                 |       | 1169            | 1.10  |                 |       | 1.49            | 12549 |                 |       | 953             | 1.35  |                 |       | 1.68            | 11127 |                 |       | 845             | 1.52  |                 |       | 1.86            | 10061 |                 |       | 764             | 1.68  |                 |       | 2.1             | 8954  |                 |       | 680             | 1.89  |                 |       | 2.5             | 7585  |                 |       | 576             | 2.2   | 3.2             | 5873  | 446             | 2.9   | 4.7             | 3964  | 301             | 4.3   | 5.2             | 3582  | 272             | 4.7   | 6.1             | 3042  | 231             | 5.6   | 7.2             | 2581  | 196             | 6.6   | 1.31            | 14288 | 1085            | 0.79  | 1.52            | 12339 | 937             | 0.91  | 1.72            | 10890 | 827             | 1.04  | 1.94            | 9652  | 733             | 1.17  | <b>F 127R77</b> |       |                 |       |                 |       | <b>F 127R77</b> |       |                 |       |                 |       |                 |       |                 |       |                 |       |                 |       |                 |       |                 |       |                 |       |                 |       |                 |       |                 |       |                 |       |                 |       |                 |       |                 |       |                 |       |                 |       |                 |       |                 |       |                 |       |                 |       |                 |       |                 |       |                 |       |                 |       |                 |       |                 |       |                 |       |                 |       |                 |       |                 |       |                 |       |                 |       |                 |       |                 |       |                 |       |                 |       |                 |       |                 |       |                 |       |                 |       |                 |       |                 |       |                 |       |                 |       |                 |       |                 |       |                 |       |                 |       |                 |       |                 |       |                 |       |                 |       |                 |       |                 |       |                 |       |                 |       |                 |       |                 |       |                 |       |                 |       |                 |       |                 |       |                 |       |                 |       |                 |       |                 |       |                 |       |                 |       |                 |       |                 |       |                 |       |                 |       |                 |       |                 |       |                 |       |                 |       |                 |       |                 |       |                 |       |                 |       |                 |       |                 |       |                 |       |                 |      |                 |       |                 |       |                 |       |                 |       |                 |       |                 |       |                 |       |                 |       |                 |       |                 |       |                 |       |                 |       |                 |       |                 |       |                 |       |                 |       |                 |       |                 |       |                 |       |                 |       |                 |       |                 |       |                 |       |                 |       |                 |       |                 |       |                 |       |                 |       |                 |       |                 |       |                 |       |                 |       |                 |       |                 |       |                 |       |                 |       |                 |       |                 |       |                 |      |                 |      |                 |      |                 |  |                 |  |                 |  |                 |  |  |  |  |  |  |  |  |  |  |  |  |  |  |  |  |  |
| 39              | 350        | 36.34    | 1.08                   | 41              | 327     | 34.04           | 1.15       | 49           | 276                    | 28.67           | 1.36    | 46           | 295  | 30.64           | 1.28  | 48              | 280   | 29.11           | 1.34  | 55              | 246   | 25.54        | 1.53  | 65              | 208   | 21.66           | 1.80  | 72           | 188   | 19.56        | 2.0   | 81              | 166   | 17.21        | 2.3   | 86           | 156   | 16.25           | 2.4   | 101          | 133   | 13.83        | 2.8   | 68              | 198   | 20.57        | 0.95  | 73           | 185   | 19.27           | 1.01  | 82           | 164   | 17.03        | 1.15  | 98              | 138   | 14.33        | 1.36  | 109          | 124   | 12.87           | 1.52  | 126          | 107   | 11.08        | 1.68  | 134             | 100   | 10.42        | 1.74  | 156          | 86    | 8.97            | 1.91  | 175          | 77    | 8.01         | 2.1   | 206             | 66    | 6.81         | 2.0   | 229          | 59    | 6.11            | 2.2   | 266          | 51    | 5.27         | 2.3   | 283             | 48    | 4.95         | 2.4   | 329          | 41    | 4.26            | 2.5   | 367          | 37    | 3.81         | 2.7   | <b>2.2kW</b> |       |              |       |              |       | <b>2.2kW</b> |       |              |       |              |       | 1.00         | 18699 | 1420         | 0.90  | F 157R97        | 4     | 1.00         | 18699 |                 |       | 1420            | 0.90  |                 |       | 1.09            | 17224 |                 |       | 1308            | 0.98  |                 |       | 1.21            | 15394 |                 |       | 1169            | 1.10  |                 |       | 1.49            | 12549 |                 |       | 953             | 1.35  |                 |       | 1.68            | 11127 |                 |       | 845             | 1.52  |                 |       | 1.86            | 10061 |                 |       | 764             | 1.68  |                 |       | 2.1             | 8954  |                 |       | 680             | 1.89  |                 |       | 2.5             | 7585  |                 |       | 576             | 2.2   | 3.2             | 5873  | 446             | 2.9   | 4.7             | 3964  | 301             | 4.3   | 5.2             | 3582  | 272             | 4.7   | 6.1             | 3042  | 231             | 5.6   | 7.2             | 2581  | 196             | 6.6   | 1.31            | 14288 | 1085            | 0.79  | 1.52            | 12339 | 937             | 0.91  | 1.72            | 10890 | 827             | 1.04  | 1.94            | 9652  | 733             | 1.17  | <b>F 127R77</b> |       |                 |       |                 |       | <b>F 127R77</b> |       |                 |       |                 |       |                 |       |                 |       |                 |       |                 |       |                 |       |                 |       |                 |       |                 |       |                 |       |                 |       |                 |       |                 |       |                 |       |                 |       |                 |       |                 |       |                 |       |                 |       |                 |       |                 |       |                 |       |                 |       |                 |       |                 |       |                 |       |                 |       |                 |       |                 |       |                 |       |                 |       |                 |       |                 |       |                 |       |                 |       |                 |       |                 |       |                 |       |                 |       |                 |       |                 |       |                 |       |                 |       |                 |       |                 |       |                 |       |                 |       |                 |       |                 |       |                 |       |                 |       |                 |       |                 |       |                 |       |                 |       |                 |       |                 |       |                 |       |                 |       |                 |       |                 |       |                 |       |                 |       |                 |       |                 |       |                 |       |                 |       |                 |       |                 |       |                 |       |                 |       |                 |       |                 |       |                 |       |                 |       |                 |       |                 |       |                 |       |                 |       |                 |       |                 |       |                 |       |                 |       |                 |       |                 |       |                 |       |                 |      |                 |       |                 |       |                 |       |                 |       |                 |       |                 |       |                 |       |                 |       |                 |       |                 |       |                 |       |                 |       |                 |       |                 |       |                 |       |                 |       |                 |       |                 |       |                 |       |                 |       |                 |       |                 |       |                 |       |                 |       |                 |       |                 |       |                 |       |                 |       |                 |       |                 |       |                 |       |                 |       |                 |       |                 |       |                 |       |                 |       |                 |       |                 |       |                 |      |                 |      |                 |      |                 |  |                 |  |                 |  |                 |  |  |  |  |  |  |  |  |  |  |  |  |  |  |  |  |  |
| 41              | 327        | 34.04    | 1.15                   | 49              | 276     | 28.67           | 1.36       | 46           | 295                    | 30.64           | 1.28    | 48           | 280  | 29.11           | 1.34  | 55              | 246   | 25.54           | 1.53  | 65              | 208   | 21.66        | 1.80  | 72              | 188   | 19.56           | 2.0   | 81           | 166   | 17.21        | 2.3   | 86              | 156   | 16.25        | 2.4   | 101          | 133   | 13.83           | 2.8   | 68           | 198   | 20.57        | 0.95  | 73              | 185   | 19.27        | 1.01  | 82           | 164   | 17.03           | 1.15  | 98           | 138   | 14.33        | 1.36  | 109             | 124   | 12.87        | 1.52  | 126          | 107   | 11.08           | 1.68  | 134          | 100   | 10.42        | 1.74  | 156             | 86    | 8.97         | 1.91  | 175          | 77    | 8.01            | 2.1   | 206          | 66    | 6.81         | 2.0   | 229             | 59    | 6.11         | 2.2   | 266          | 51    | 5.27            | 2.3   | 283          | 48    | 4.95         | 2.4   | 329             | 41    | 4.26         | 2.5   | 367          | 37    | 3.81            | 2.7   | <b>2.2kW</b> |       |              |       |              |       | <b>2.2kW</b> |       |              |       |              |       | 1.00         | 18699 | 1420         | 0.90  | F 157R97     | 4     | 1.00         | 18699 |                 |       | 1420         | 0.90  |                 |       | 1.09            | 17224 |                 |       | 1308            | 0.98  |                 |       | 1.21            | 15394 |                 |       | 1169            | 1.10  |                 |       | 1.49            | 12549 |                 |       | 953             | 1.35  |                 |       | 1.68            | 11127 |                 |       | 845             | 1.52  |                 |       | 1.86            | 10061 |                 |       | 764             | 1.68  |                 |       | 2.1             | 8954  |                 |       | 680             | 1.89  |                 |       | 2.5             | 7585  |                 |       | 576             | 2.2   | 3.2             | 5873  | 446             | 2.9   | 4.7             | 3964  | 301             | 4.3   | 5.2             | 3582  | 272             | 4.7   | 6.1             | 3042  | 231             | 5.6   | 7.2             | 2581  | 196             | 6.6   | 1.31            | 14288 | 1085            | 0.79  | 1.52            | 12339 | 937             | 0.91  | 1.72            | 10890 | 827             | 1.04  | 1.94            | 9652  | 733             | 1.17  | <b>F 127R77</b> |       |                 |       |                 |       | <b>F 127R77</b> |       |                 |       |                 |       |                 |       |                 |       |                 |       |                 |       |                 |       |                 |       |                 |       |                 |       |                 |       |                 |       |                 |       |                 |       |                 |       |                 |       |                 |       |                 |       |                 |       |                 |       |                 |       |                 |       |                 |       |                 |       |                 |       |                 |       |                 |       |                 |       |                 |       |                 |       |                 |       |                 |       |                 |       |                 |       |                 |       |                 |       |                 |       |                 |       |                 |       |                 |       |                 |       |                 |       |                 |       |                 |       |                 |       |                 |       |                 |       |                 |       |                 |       |                 |       |                 |       |                 |       |                 |       |                 |       |                 |       |                 |       |                 |       |                 |       |                 |       |                 |       |                 |       |                 |       |                 |       |                 |       |                 |       |                 |       |                 |       |                 |       |                 |       |                 |       |                 |       |                 |       |                 |       |                 |       |                 |       |                 |       |                 |       |                 |       |                 |       |                 |       |                 |       |                 |       |                 |       |                 |       |                 |       |                 |       |                 |       |                 |       |                 |       |                 |      |                 |       |                 |       |                 |       |                 |       |                 |       |                 |       |                 |       |                 |       |                 |       |                 |       |                 |       |                 |       |                 |       |                 |       |                 |       |                 |       |                 |       |                 |       |                 |       |                 |       |                 |       |                 |       |                 |       |                 |       |                 |       |                 |       |                 |       |                 |       |                 |       |                 |       |                 |       |                 |       |                 |       |                 |       |                 |       |                 |       |                 |       |                 |       |                 |      |                 |      |                 |      |                 |  |                 |  |                 |  |                 |  |  |  |  |  |  |  |  |  |  |  |  |  |  |  |  |  |
| 49              | 276        | 28.67    | 1.36                   | 46              | 295     | 30.64           | 1.28       | 48           | 280                    | 29.11           | 1.34    | 55           | 246  | 25.54           | 1.53  | 65              | 208   | 21.66           | 1.80  | 72              | 188   | 19.56        | 2.0   | 81              | 166   | 17.21           | 2.3   | 86           | 156   | 16.25        | 2.4   | 101             | 133   | 13.83        | 2.8   | 68           | 198   | 20.57           | 0.95  | 73           | 185   | 19.27        | 1.01  | 82              | 164   | 17.03        | 1.15  | 98           | 138   | 14.33           | 1.36  | 109          | 124   | 12.87        | 1.52  | 126             | 107   | 11.08        | 1.68  | 134          | 100   | 10.42           | 1.74  | 156          | 86    | 8.97         | 1.91  | 175             | 77    | 8.01         | 2.1   | 206          | 66    | 6.81            | 2.0   | 229          | 59    | 6.11         | 2.2   | 266             | 51    | 5.27         | 2.3   | 283          | 48    | 4.95            | 2.4   | 329          | 41    | 4.26         | 2.5   | 367             | 37    | 3.81         | 2.7   | <b>2.2kW</b> |       |                 |       |              |       | <b>2.2kW</b> |       |              |       |              |       | 1.00         | 18699 | 1420         | 0.90  | F 157R97     | 4     | 1.00         | 18699 |              |       | 1420         | 0.90  |                 |       | 1.09         | 17224 |                 |       | 1308            | 0.98  |                 |       | 1.21            | 15394 |                 |       | 1169            | 1.10  |                 |       | 1.49            | 12549 |                 |       | 953             | 1.35  |                 |       | 1.68            | 11127 |                 |       | 845             | 1.52  |                 |       | 1.86            | 10061 |                 |       | 764             | 1.68  |                 |       | 2.1             | 8954  |                 |       | 680             | 1.89  |                 |       | 2.5             | 7585  |                 |       | 576             | 2.2   | 3.2             | 5873  | 446             | 2.9   | 4.7             | 3964  | 301             | 4.3   | 5.2             | 3582  | 272             | 4.7   | 6.1             | 3042  | 231             | 5.6   | 7.2             | 2581  | 196             | 6.6   | 1.31            | 14288 | 1085            | 0.79  | 1.52            | 12339 | 937             | 0.91  | 1.72            | 10890 | 827             | 1.04  | 1.94            | 9652  | 733             | 1.17  | <b>F 127R77</b> |       |                 |       |                 |       | <b>F 127R77</b> |       |                 |       |                 |       |                 |       |                 |       |                 |       |                 |       |                 |       |                 |       |                 |       |                 |       |                 |       |                 |       |                 |       |                 |       |                 |       |                 |       |                 |       |                 |       |                 |       |                 |       |                 |       |                 |       |                 |       |                 |       |                 |       |                 |       |                 |       |                 |       |                 |       |                 |       |                 |       |                 |       |                 |       |                 |       |                 |       |                 |       |                 |       |                 |       |                 |       |                 |       |                 |       |                 |       |                 |       |                 |       |                 |       |                 |       |                 |       |                 |       |                 |       |                 |       |                 |       |                 |       |                 |       |                 |       |                 |       |                 |       |                 |       |                 |       |                 |       |                 |       |                 |       |                 |       |                 |       |                 |       |                 |       |                 |       |                 |       |                 |       |                 |       |                 |       |                 |       |                 |       |                 |       |                 |       |                 |       |                 |       |                 |       |                 |       |                 |       |                 |       |                 |       |                 |       |                 |       |                 |       |                 |       |                 |       |                 |       |                 |       |                 |       |                 |       |                 |       |                 |      |                 |       |                 |       |                 |       |                 |       |                 |       |                 |       |                 |       |                 |       |                 |       |                 |       |                 |       |                 |       |                 |       |                 |       |                 |       |                 |       |                 |       |                 |       |                 |       |                 |       |                 |       |                 |       |                 |       |                 |       |                 |       |                 |       |                 |       |                 |       |                 |       |                 |       |                 |       |                 |       |                 |       |                 |       |                 |       |                 |       |                 |       |                 |       |                 |      |                 |      |                 |      |                 |  |                 |  |                 |  |                 |  |  |  |  |  |  |  |  |  |  |  |  |  |  |  |  |  |
| 46              | 295        | 30.64    | 1.28                   | 48              | 280     | 29.11           | 1.34       | 55           | 246                    | 25.54           | 1.53    | 65           | 208  | 21.66           | 1.80  | 72              | 188   | 19.56           | 2.0   | 81              | 166   | 17.21        | 2.3   | 86              | 156   | 16.25           | 2.4   | 101          | 133   | 13.83        | 2.8   | 68              | 198   | 20.57        | 0.95  | 73           | 185   | 19.27           | 1.01  | 82           | 164   | 17.03        | 1.15  | 98              | 138   | 14.33        | 1.36  | 109          | 124   | 12.87           | 1.52  | 126          | 107   | 11.08        | 1.68  | 134             | 100   | 10.42        | 1.74  | 156          | 86    | 8.97            | 1.91  | 175          | 77    | 8.01         | 2.1   | 206             | 66    | 6.81         | 2.0   | 229          | 59    | 6.11            | 2.2   | 266          | 51    | 5.27         | 2.3   | 283             | 48    | 4.95         | 2.4   | 329          | 41    | 4.26            | 2.5   | 367          | 37    | 3.81         | 2.7   | <b>2.2kW</b>    |       |              |       |              |       | <b>2.2kW</b>    |       |              |       |              |       | 1.00         | 18699 | 1420         | 0.90  | F 157R97     | 4     | 1.00         | 18699 |              |       | 1420         | 0.90  |              |       | 1.09         | 17224 |                 |       | 1308         | 0.98  |                 |       | 1.21            | 15394 |                 |       | 1169            | 1.10  |                 |       | 1.49            | 12549 |                 |       | 953             | 1.35  |                 |       | 1.68            | 11127 |                 |       | 845             | 1.52  |                 |       | 1.86            | 10061 |                 |       | 764             | 1.68  |                 |       | 2.1             | 8954  |                 |       | 680             | 1.89  |                 |       | 2.5             | 7585  |                 |       | 576             | 2.2   | 3.2             | 5873  | 446             | 2.9   | 4.7             | 3964  | 301             | 4.3   | 5.2             | 3582  | 272             | 4.7   | 6.1             | 3042  | 231             | 5.6   | 7.2             | 2581  | 196             | 6.6   | 1.31            | 14288 | 1085            | 0.79  | 1.52            | 12339 | 937             | 0.91  | 1.72            | 10890 | 827             | 1.04  | 1.94            | 9652  | 733             | 1.17  | <b>F 127R77</b> |       |                 |       |                 |       | <b>F 127R77</b> |       |                 |       |                 |       |                 |       |                 |       |                 |       |                 |       |                 |       |                 |       |                 |       |                 |       |                 |       |                 |       |                 |       |                 |       |                 |       |                 |       |                 |       |                 |       |                 |       |                 |       |                 |       |                 |       |                 |       |                 |       |                 |       |                 |       |                 |       |                 |       |                 |       |                 |       |                 |       |                 |       |                 |       |                 |       |                 |       |                 |       |                 |       |                 |       |                 |       |                 |       |                 |       |                 |       |                 |       |                 |       |                 |       |                 |       |                 |       |                 |       |                 |       |                 |       |                 |       |                 |       |                 |       |                 |       |                 |       |                 |       |                 |       |                 |       |                 |       |                 |       |                 |       |                 |       |                 |       |                 |       |                 |       |                 |       |                 |       |                 |       |                 |       |                 |       |                 |       |                 |       |                 |       |                 |       |                 |       |                 |       |                 |       |                 |       |                 |       |                 |       |                 |       |                 |       |                 |       |                 |       |                 |       |                 |       |                 |       |                 |       |                 |       |                 |       |                 |       |                 |       |                 |       |                 |      |                 |       |                 |       |                 |       |                 |       |                 |       |                 |       |                 |       |                 |       |                 |       |                 |       |                 |       |                 |       |                 |       |                 |       |                 |       |                 |       |                 |       |                 |       |                 |       |                 |       |                 |       |                 |       |                 |       |                 |       |                 |       |                 |       |                 |       |                 |       |                 |       |                 |       |                 |       |                 |       |                 |       |                 |       |                 |       |                 |       |                 |       |                 |       |                 |      |                 |      |                 |      |                 |  |                 |  |                 |  |                 |  |  |  |  |  |  |  |  |  |  |  |  |  |  |  |  |  |
| 48              | 280        | 29.11    | 1.34                   | 55              | 246     | 25.54           | 1.53       | 65           | 208                    | 21.66           | 1.80    | 72           | 188  | 19.56           | 2.0   | 81              | 166   | 17.21           | 2.3   | 86              | 156   | 16.25        | 2.4   | 101             | 133   | 13.83           | 2.8   | 68           | 198   | 20.57        | 0.95  | 73              | 185   | 19.27        | 1.01  | 82           | 164   | 17.03           | 1.15  | 98           | 138   | 14.33        | 1.36  | 109             | 124   | 12.87        | 1.52  | 126          | 107   | 11.08           | 1.68  | 134          | 100   | 10.42        | 1.74  | 156             | 86    | 8.97         | 1.91  | 175          | 77    | 8.01            | 2.1   | 206          | 66    | 6.81         | 2.0   | 229             | 59    | 6.11         | 2.2   | 266          | 51    | 5.27            | 2.3   | 283          | 48    | 4.95         | 2.4   | 329             | 41    | 4.26         | 2.5   | 367          | 37    | 3.81            | 2.7   | <b>2.2kW</b> |       |              |       |                 |       | <b>2.2kW</b> |       |              |       |                 |       | 1.00         | 18699 | 1420         | 0.90  | F 157R97     | 4     | 1.00         | 18699 |              |       | 1420         | 0.90  |              |       | 1.09         | 17224 |              |       | 1308         | 0.98  |                 |       | 1.21         | 15394 |                 |       | 1169            | 1.10  |                 |       | 1.49            | 12549 |                 |       | 953             | 1.35  |                 |       | 1.68            | 11127 |                 |       | 845             | 1.52  |                 |       | 1.86            | 10061 |                 |       | 764             | 1.68  |                 |       | 2.1             | 8954  |                 |       | 680             | 1.89  |                 |       | 2.5             | 7585  |                 |       | 576             | 2.2   | 3.2             | 5873  | 446             | 2.9   | 4.7             | 3964  | 301             | 4.3   | 5.2             | 3582  | 272             | 4.7   | 6.1             | 3042  | 231             | 5.6   | 7.2             | 2581  | 196             | 6.6   | 1.31            | 14288 | 1085            | 0.79  | 1.52            | 12339 | 937             | 0.91  | 1.72            | 10890 | 827             | 1.04  | 1.94            | 9652  | 733             | 1.17  | <b>F 127R77</b> |       |                 |       |                 |       | <b>F 127R77</b> |       |                 |       |                 |       |                 |       |                 |       |                 |       |                 |       |                 |       |                 |       |                 |       |                 |       |                 |       |                 |       |                 |       |                 |       |                 |       |                 |       |                 |       |                 |       |                 |       |                 |       |                 |       |                 |       |                 |       |                 |       |                 |       |                 |       |                 |       |                 |       |                 |       |                 |       |                 |       |                 |       |                 |       |                 |       |                 |       |                 |       |                 |       |                 |       |                 |       |                 |       |                 |       |                 |       |                 |       |                 |       |                 |       |                 |       |                 |       |                 |       |                 |       |                 |       |                 |       |                 |       |                 |       |                 |       |                 |       |                 |       |                 |       |                 |       |                 |       |                 |       |                 |       |                 |       |                 |       |                 |       |                 |       |                 |       |                 |       |                 |       |                 |       |                 |       |                 |       |                 |       |                 |       |                 |       |                 |       |                 |       |                 |       |                 |       |                 |       |                 |       |                 |       |                 |       |                 |       |                 |       |                 |       |                 |       |                 |       |                 |       |                 |       |                 |       |                 |       |                 |       |                 |       |                 |       |                 |       |                 |      |                 |       |                 |       |                 |       |                 |       |                 |       |                 |       |                 |       |                 |       |                 |       |                 |       |                 |       |                 |       |                 |       |                 |       |                 |       |                 |       |                 |       |                 |       |                 |       |                 |       |                 |       |                 |       |                 |       |                 |       |                 |       |                 |       |                 |       |                 |       |                 |       |                 |       |                 |       |                 |       |                 |       |                 |       |                 |       |                 |       |                 |       |                 |       |                 |      |                 |      |                 |      |                 |  |                 |  |                 |  |                 |  |  |  |  |  |  |  |  |  |  |  |  |  |  |  |  |  |
| 55              | 246        | 25.54    | 1.53                   | 65              | 208     | 21.66           | 1.80       | 72           | 188                    | 19.56           | 2.0     | 81           | 166  | 17.21           | 2.3   | 86              | 156   | 16.25           | 2.4   | 101             | 133   | 13.83        | 2.8   | 68              | 198   | 20.57           | 0.95  | 73           | 185   | 19.27        | 1.01  | 82              | 164   | 17.03        | 1.15  | 98           | 138   | 14.33           | 1.36  | 109          | 124   | 12.87        | 1.52  | 126             | 107   | 11.08        | 1.68  | 134          | 100   | 10.42           | 1.74  | 156          | 86    | 8.97         | 1.91  | 175             | 77    | 8.01         | 2.1   | 206          | 66    | 6.81            | 2.0   | 229          | 59    | 6.11         | 2.2   | 266             | 51    | 5.27         | 2.3   | 283          | 48    | 4.95            | 2.4   | 329          | 41    | 4.26         | 2.5   | 367             | 37    | 3.81         | 2.7   | <b>2.2kW</b> |       |                 |       |              |       | <b>2.2kW</b> |       |                 |       |              |       | 1.00         | 18699 | 1420            | 0.90  | F 157R97     | 4     | 1.00         | 18699 |              |       | 1420         | 0.90  |              |       | 1.09         | 17224 |              |       | 1308         | 0.98  |              |       | 1.21         | 15394 |                 |       | 1169         | 1.10  |                 |       | 1.49            | 12549 |                 |       | 953             | 1.35  |                 |       | 1.68            | 11127 |                 |       | 845             | 1.52  |                 |       | 1.86            | 10061 |                 |       | 764             | 1.68  |                 |       | 2.1             | 8954  |                 |       | 680             | 1.89  |                 |       | 2.5             | 7585  |                 |       | 576             | 2.2   | 3.2             | 5873  | 446             | 2.9   | 4.7             | 3964  | 301             | 4.3   | 5.2             | 3582  | 272             | 4.7   | 6.1             | 3042  | 231             | 5.6   | 7.2             | 2581  | 196             | 6.6   | 1.31            | 14288 | 1085            | 0.79  | 1.52            | 12339 | 937             | 0.91  | 1.72            | 10890 | 827             | 1.04  | 1.94            | 9652  | 733             | 1.17  | <b>F 127R77</b> |       |                 |       |                 |       | <b>F 127R77</b> |       |                 |       |                 |       |                 |       |                 |       |                 |       |                 |       |                 |       |                 |       |                 |       |                 |       |                 |       |                 |       |                 |       |                 |       |                 |       |                 |       |                 |       |                 |       |                 |       |                 |       |                 |       |                 |       |                 |       |                 |       |                 |       |                 |       |                 |       |                 |       |                 |       |                 |       |                 |       |                 |       |                 |       |                 |       |                 |       |                 |       |                 |       |                 |       |                 |       |                 |       |                 |       |                 |       |                 |       |                 |       |                 |       |                 |       |                 |       |                 |       |                 |       |                 |       |                 |       |                 |       |                 |       |                 |       |                 |       |                 |       |                 |       |                 |       |                 |       |                 |       |                 |       |                 |       |                 |       |                 |       |                 |       |                 |       |                 |       |                 |       |                 |       |                 |       |                 |       |                 |       |                 |       |                 |       |                 |       |                 |       |                 |       |                 |       |                 |       |                 |       |                 |       |                 |       |                 |       |                 |       |                 |       |                 |       |                 |       |                 |       |                 |       |                 |       |                 |       |                 |       |                 |       |                 |       |                 |       |                 |       |                 |       |                 |      |                 |       |                 |       |                 |       |                 |       |                 |       |                 |       |                 |       |                 |       |                 |       |                 |       |                 |       |                 |       |                 |       |                 |       |                 |       |                 |       |                 |       |                 |       |                 |       |                 |       |                 |       |                 |       |                 |       |                 |       |                 |       |                 |       |                 |       |                 |       |                 |       |                 |       |                 |       |                 |       |                 |       |                 |       |                 |       |                 |       |                 |       |                 |       |                 |      |                 |      |                 |      |                 |  |                 |  |                 |  |                 |  |  |  |  |  |  |  |  |  |  |  |  |  |  |  |  |  |
| 65              | 208        | 21.66    | 1.80                   | 72              | 188     | 19.56           | 2.0        | 81           | 166                    | 17.21           | 2.3     | 86           | 156  | 16.25           | 2.4   | 101             | 133   | 13.83           | 2.8   | 68              | 198   | 20.57        | 0.95  | 73              | 185   | 19.27           | 1.01  | 82           | 164   | 17.03        | 1.15  | 98              | 138   | 14.33        | 1.36  | 109          | 124   | 12.87           | 1.52  | 126          | 107   | 11.08        | 1.68  | 134             | 100   | 10.42        | 1.74  | 156          | 86    | 8.97            | 1.91  | 175          | 77    | 8.01         | 2.1   | 206             | 66    | 6.81         | 2.0   | 229          | 59    | 6.11            | 2.2   | 266          | 51    | 5.27         | 2.3   | 283             | 48    | 4.95         | 2.4   | 329          | 41    | 4.26            | 2.5   | 367          | 37    | 3.81         | 2.7   | <b>2.2kW</b>    |       |              |       |              |       | <b>2.2kW</b>    |       |              |       |              |       | 1.00            | 18699 | 1420         | 0.90  | F 157R97     | 4     | 1.00            | 18699 |              |       | 1420         | 0.90  |              |       | 1.09         | 17224 |              |       | 1308         | 0.98  |              |       | 1.21         | 15394 |              |       | 1169         | 1.10  |                 |       | 1.49         | 12549 |                 |       | 953             | 1.35  |                 |       | 1.68            | 11127 |                 |       | 845             | 1.52  |                 |       | 1.86            | 10061 |                 |       | 764             | 1.68  |                 |       | 2.1             | 8954  |                 |       | 680             | 1.89  |                 |       | 2.5             | 7585  |                 |       | 576             | 2.2   | 3.2             | 5873  | 446             | 2.9   | 4.7             | 3964  | 301             | 4.3   | 5.2             | 3582  | 272             | 4.7   | 6.1             | 3042  | 231             | 5.6   | 7.2             | 2581  | 196             | 6.6   | 1.31            | 14288 | 1085            | 0.79  | 1.52            | 12339 | 937             | 0.91  | 1.72            | 10890 | 827             | 1.04  | 1.94            | 9652  | 733             | 1.17  | <b>F 127R77</b> |       |                 |       |                 |       | <b>F 127R77</b> |       |                 |       |                 |       |                 |       |                 |       |                 |       |                 |       |                 |       |                 |       |                 |       |                 |       |                 |       |                 |       |                 |       |                 |       |                 |       |                 |       |                 |       |                 |       |                 |       |                 |       |                 |       |                 |       |                 |       |                 |       |                 |       |                 |       |                 |       |                 |       |                 |       |                 |       |                 |       |                 |       |                 |       |                 |       |                 |       |                 |       |                 |       |                 |       |                 |       |                 |       |                 |       |                 |       |                 |       |                 |       |                 |       |                 |       |                 |       |                 |       |                 |       |                 |       |                 |       |                 |       |                 |       |                 |       |                 |       |                 |       |                 |       |                 |       |                 |       |                 |       |                 |       |                 |       |                 |       |                 |       |                 |       |                 |       |                 |       |                 |       |                 |       |                 |       |                 |       |                 |       |                 |       |                 |       |                 |       |                 |       |                 |       |                 |       |                 |       |                 |       |                 |       |                 |       |                 |       |                 |       |                 |       |                 |       |                 |       |                 |       |                 |       |                 |       |                 |       |                 |       |                 |       |                 |       |                 |       |                 |       |                 |       |                 |       |                 |       |                 |      |                 |       |                 |       |                 |       |                 |       |                 |       |                 |       |                 |       |                 |       |                 |       |                 |       |                 |       |                 |       |                 |       |                 |       |                 |       |                 |       |                 |       |                 |       |                 |       |                 |       |                 |       |                 |       |                 |       |                 |       |                 |       |                 |       |                 |       |                 |       |                 |       |                 |       |                 |       |                 |       |                 |       |                 |       |                 |       |                 |       |                 |       |                 |       |                 |      |                 |      |                 |      |                 |  |                 |  |                 |  |                 |  |  |  |  |  |  |  |  |  |  |  |  |  |  |  |  |  |
| 72              | 188        | 19.56    | 2.0                    | 81              | 166     | 17.21           | 2.3        | 86           | 156                    | 16.25           | 2.4     | 101          | 133  | 13.83           | 2.8   | 68              | 198   | 20.57           | 0.95  | 73              | 185   | 19.27        | 1.01  | 82              | 164   | 17.03           | 1.15  | 98           | 138   | 14.33        | 1.36  | 109             | 124   | 12.87        | 1.52  | 126          | 107   | 11.08           | 1.68  | 134          | 100   | 10.42        | 1.74  | 156             | 86    | 8.97         | 1.91  | 175          | 77    | 8.01            | 2.1   | 206          | 66    | 6.81         | 2.0   | 229             | 59    | 6.11         | 2.2   | 266          | 51    | 5.27            | 2.3   | 283          | 48    | 4.95         | 2.4   | 329             | 41    | 4.26         | 2.5   | 367          | 37    | 3.81            | 2.7   | <b>2.2kW</b> |       |              |       |                 |       | <b>2.2kW</b> |       |              |       |                 |       | 1.00         | 18699 | 1420         | 0.90  | F 157R97        | 4     | 1.00         | 18699 |              |       | 1420            | 0.90  |              |       | 1.09         | 17224 |              |       | 1308         | 0.98  |              |       | 1.21         | 15394 |              |       | 1169         | 1.10  |              |       | 1.49         | 12549 |                 |       | 953          | 1.35  |                 |       | 1.68            | 11127 |                 |       | 845             | 1.52  |                 |       | 1.86            | 10061 |                 |       | 764             | 1.68  |                 |       | 2.1             | 8954  |                 |       | 680             | 1.89  |                 |       | 2.5             | 7585  |                 |       | 576             | 2.2   | 3.2             | 5873  | 446             | 2.9   | 4.7             | 3964  | 301             | 4.3   | 5.2             | 3582  | 272             | 4.7   | 6.1             | 3042  | 231             | 5.6   | 7.2             | 2581  | 196             | 6.6   | 1.31            | 14288 | 1085            | 0.79  | 1.52            | 12339 | 937             | 0.91  | 1.72            | 10890 | 827             | 1.04  | 1.94            | 9652  | 733             | 1.17  | <b>F 127R77</b> |       |                 |       |                 |       | <b>F 127R77</b> |       |                 |       |                 |       |                 |       |                 |       |                 |       |                 |       |                 |       |                 |       |                 |       |                 |       |                 |       |                 |       |                 |       |                 |       |                 |       |                 |       |                 |       |                 |       |                 |       |                 |       |                 |       |                 |       |                 |       |                 |       |                 |       |                 |       |                 |       |                 |       |                 |       |                 |       |                 |       |                 |       |                 |       |                 |       |                 |       |                 |       |                 |       |                 |       |                 |       |                 |       |                 |       |                 |       |                 |       |                 |       |                 |       |                 |       |                 |       |                 |       |                 |       |                 |       |                 |       |                 |       |                 |       |                 |       |                 |       |                 |       |                 |       |                 |       |                 |       |                 |       |                 |       |                 |       |                 |       |                 |       |                 |       |                 |       |                 |       |                 |       |                 |       |                 |       |                 |       |                 |       |                 |       |                 |       |                 |       |                 |       |                 |       |                 |       |                 |       |                 |       |                 |       |                 |       |                 |       |                 |       |                 |       |                 |       |                 |       |                 |       |                 |       |                 |       |                 |       |                 |       |                 |       |                 |       |                 |       |                 |       |                 |       |                 |       |                 |       |                 |       |                 |       |                 |      |                 |       |                 |       |                 |       |                 |       |                 |       |                 |       |                 |       |                 |       |                 |       |                 |       |                 |       |                 |       |                 |       |                 |       |                 |       |                 |       |                 |       |                 |       |                 |       |                 |       |                 |       |                 |       |                 |       |                 |       |                 |       |                 |       |                 |       |                 |       |                 |       |                 |       |                 |       |                 |       |                 |       |                 |       |                 |       |                 |       |                 |       |                 |       |                 |      |                 |      |                 |      |                 |  |                 |  |                 |  |                 |  |  |  |  |  |  |  |  |  |  |  |  |  |  |  |  |  |
| 81              | 166        | 17.21    | 2.3                    | 86              | 156     | 16.25           | 2.4        | 101          | 133                    | 13.83           | 2.8     | 68           | 198  | 20.57           | 0.95  | 73              | 185   | 19.27           | 1.01  | 82              | 164   | 17.03        | 1.15  | 98              | 138   | 14.33           | 1.36  | 109          | 124   | 12.87        | 1.52  | 126             | 107   | 11.08        | 1.68  | 134          | 100   | 10.42           | 1.74  | 156          | 86    | 8.97         | 1.91  | 175             | 77    | 8.01         | 2.1   | 206          | 66    | 6.81            | 2.0   | 229          | 59    | 6.11         | 2.2   | 266             | 51    | 5.27         | 2.3   | 283          | 48    | 4.95            | 2.4   | 329          | 41    | 4.26         | 2.5   | 367             | 37    | 3.81         | 2.7   | <b>2.2kW</b> |       |                 |       |              |       | <b>2.2kW</b> |       |                 |       |              |       | 1.00         | 18699 | 1420            | 0.90  | F 157R97     | 4     | 1.00         | 18699 |                 |       | 1420         | 0.90  |              |       | 1.09            | 17224 |              |       | 1308         | 0.98  |              |       | 1.21         | 15394 |              |       | 1169         | 1.10  |              |       | 1.49         | 12549 |              |       | 953          | 1.35  |                 |       | 1.68         | 11127 |                 |       | 845             | 1.52  |                 |       | 1.86            | 10061 |                 |       | 764             | 1.68  |                 |       | 2.1             | 8954  |                 |       | 680             | 1.89  |                 |       | 2.5             | 7585  |                 |       | 576             | 2.2   | 3.2             | 5873  | 446             | 2.9   | 4.7             | 3964  | 301             | 4.3   | 5.2             | 3582  | 272             | 4.7   | 6.1             | 3042  | 231             | 5.6   | 7.2             | 2581  | 196             | 6.6   | 1.31            | 14288 | 1085            | 0.79  | 1.52            | 12339 | 937             | 0.91  | 1.72            | 10890 | 827             | 1.04  | 1.94            | 9652  | 733             | 1.17  | <b>F 127R77</b> |       |                 |       |                 |       | <b>F 127R77</b> |       |                 |       |                 |       |                 |       |                 |       |                 |       |                 |       |                 |       |                 |       |                 |       |                 |       |                 |       |                 |       |                 |       |                 |       |                 |       |                 |       |                 |       |                 |       |                 |       |                 |       |                 |       |                 |       |                 |       |                 |       |                 |       |                 |       |                 |       |                 |       |                 |       |                 |       |                 |       |                 |       |                 |       |                 |       |                 |       |                 |       |                 |       |                 |       |                 |       |                 |       |                 |       |                 |       |                 |       |                 |       |                 |       |                 |       |                 |       |                 |       |                 |       |                 |       |                 |       |                 |       |                 |       |                 |       |                 |       |                 |       |                 |       |                 |       |                 |       |                 |       |                 |       |                 |       |                 |       |                 |       |                 |       |                 |       |                 |       |                 |       |                 |       |                 |       |                 |       |                 |       |                 |       |                 |       |                 |       |                 |       |                 |       |                 |       |                 |       |                 |       |                 |       |                 |       |                 |       |                 |       |                 |       |                 |       |                 |       |                 |       |                 |       |                 |       |                 |       |                 |       |                 |       |                 |       |                 |       |                 |       |                 |       |                 |       |                 |       |                 |       |                 |       |                 |       |                 |       |                 |      |                 |       |                 |       |                 |       |                 |       |                 |       |                 |       |                 |       |                 |       |                 |       |                 |       |                 |       |                 |       |                 |       |                 |       |                 |       |                 |       |                 |       |                 |       |                 |       |                 |       |                 |       |                 |       |                 |       |                 |       |                 |       |                 |       |                 |       |                 |       |                 |       |                 |       |                 |       |                 |       |                 |       |                 |       |                 |       |                 |       |                 |       |                 |       |                 |      |                 |      |                 |      |                 |  |                 |  |                 |  |                 |  |  |  |  |  |  |  |  |  |  |  |  |  |  |  |  |  |
| 86              | 156        | 16.25    | 2.4                    | 101             | 133     | 13.83           | 2.8        | 68           | 198                    | 20.57           | 0.95    | 73           | 185  | 19.27           | 1.01  | 82              | 164   | 17.03           | 1.15  | 98              | 138   | 14.33        | 1.36  | 109             | 124   | 12.87           | 1.52  | 126          | 107   | 11.08        | 1.68  | 134             | 100   | 10.42        | 1.74  | 156          | 86    | 8.97            | 1.91  | 175          | 77    | 8.01         | 2.1   | 206             | 66    | 6.81         | 2.0   | 229          | 59    | 6.11            | 2.2   | 266          | 51    | 5.27         | 2.3   | 283             | 48    | 4.95         | 2.4   | 329          | 41    | 4.26            | 2.5   | 367          | 37    | 3.81         | 2.7   | <b>2.2kW</b>    |       |              |       |              |       | <b>2.2kW</b>    |       |              |       |              |       | 1.00            | 18699 | 1420         | 0.90  | F 157R97     | 4     | 1.00            | 18699 |              |       | 1420         | 0.90  |                 |       | 1.09         | 17224 |              |       | 1308            | 0.98  |              |       | 1.21         | 15394 |              |       | 1169         | 1.10  |              |       | 1.49         | 12549 |              |       | 953          | 1.35  |              |       | 1.68         | 11127 |                 |       | 845          | 1.52  |                 |       | 1.86            | 10061 |                 |       | 764             | 1.68  |                 |       | 2.1             | 8954  |                 |       | 680             | 1.89  |                 |       | 2.5             | 7585  |                 |       | 576             | 2.2   | 3.2             | 5873  | 446             | 2.9   | 4.7             | 3964  | 301             | 4.3   | 5.2             | 3582  | 272             | 4.7   | 6.1             | 3042  | 231             | 5.6   | 7.2             | 2581  | 196             | 6.6   | 1.31            | 14288 | 1085            | 0.79  | 1.52            | 12339 | 937             | 0.91  | 1.72            | 10890 | 827             | 1.04  | 1.94            | 9652  | 733             | 1.17  | <b>F 127R77</b> |       |                 |       |                 |       | <b>F 127R77</b> |       |                 |       |                 |       |                 |       |                 |       |                 |       |                 |       |                 |       |                 |       |                 |       |                 |       |                 |       |                 |       |                 |       |                 |       |                 |       |                 |       |                 |       |                 |       |                 |       |                 |       |                 |       |                 |       |                 |       |                 |       |                 |       |                 |       |                 |       |                 |       |                 |       |                 |       |                 |       |                 |       |                 |       |                 |       |                 |       |                 |       |                 |       |                 |       |                 |       |                 |       |                 |       |                 |       |                 |       |                 |       |                 |       |                 |       |                 |       |                 |       |                 |       |                 |       |                 |       |                 |       |                 |       |                 |       |                 |       |                 |       |                 |       |                 |       |                 |       |                 |       |                 |       |                 |       |                 |       |                 |       |                 |       |                 |       |                 |       |                 |       |                 |       |                 |       |                 |       |                 |       |                 |       |                 |       |                 |       |                 |       |                 |       |                 |       |                 |       |                 |       |                 |       |                 |       |                 |       |                 |       |                 |       |                 |       |                 |       |                 |       |                 |       |                 |       |                 |       |                 |       |                 |       |                 |       |                 |       |                 |       |                 |       |                 |       |                 |       |                 |       |                 |       |                 |       |                 |       |                 |       |                 |       |                 |      |                 |       |                 |       |                 |       |                 |       |                 |       |                 |       |                 |       |                 |       |                 |       |                 |       |                 |       |                 |       |                 |       |                 |       |                 |       |                 |       |                 |       |                 |       |                 |       |                 |       |                 |       |                 |       |                 |       |                 |       |                 |       |                 |       |                 |       |                 |       |                 |       |                 |       |                 |       |                 |       |                 |       |                 |       |                 |       |                 |       |                 |       |                 |       |                 |      |                 |      |                 |      |                 |  |                 |  |                 |  |                 |  |  |  |  |  |  |  |  |  |  |  |  |  |  |  |  |  |
| 101             | 133        | 13.83    | 2.8                    | 68              | 198     | 20.57           | 0.95       | 73           | 185                    | 19.27           | 1.01    | 82           | 164  | 17.03           | 1.15  | 98              | 138   | 14.33           | 1.36  | 109             | 124   | 12.87        | 1.52  | 126             | 107   | 11.08           | 1.68  | 134          | 100   | 10.42        | 1.74  | 156             | 86    | 8.97         | 1.91  | 175          | 77    | 8.01            | 2.1   | 206          | 66    | 6.81         | 2.0   | 229             | 59    | 6.11         | 2.2   | 266          | 51    | 5.27            | 2.3   | 283          | 48    | 4.95         | 2.4   | 329             | 41    | 4.26         | 2.5   | 367          | 37    | 3.81            | 2.7   | <b>2.2kW</b> |       |              |       |                 |       | <b>2.2kW</b> |       |              |       |                 |       | 1.00         | 18699 | 1420         | 0.90  | F 157R97        | 4     | 1.00         | 18699 |              |       | 1420            | 0.90  |              |       | 1.09         | 17224 |                 |       | 1308         | 0.98  |              |       | 1.21            | 15394 |              |       | 1169         | 1.10  |              |       | 1.49         | 12549 |              |       | 953          | 1.35  |              |       | 1.68         | 11127 |              |       | 845          | 1.52  |                 |       | 1.86         | 10061 |                 |       | 764             | 1.68  |                 |       | 2.1             | 8954  |                 |       | 680             | 1.89  |                 |       | 2.5             | 7585  |                 |       | 576             | 2.2   | 3.2             | 5873  | 446             | 2.9   | 4.7             | 3964  | 301             | 4.3   | 5.2             | 3582  | 272             | 4.7   | 6.1             | 3042  | 231             | 5.6   | 7.2             | 2581  | 196             | 6.6   | 1.31            | 14288 | 1085            | 0.79  | 1.52            | 12339 | 937             | 0.91  | 1.72            | 10890 | 827             | 1.04  | 1.94            | 9652  | 733             | 1.17  | <b>F 127R77</b> |       |                 |       |                 |       | <b>F 127R77</b> |       |                 |       |                 |       |                 |       |                 |       |                 |       |                 |       |                 |       |                 |       |                 |       |                 |       |                 |       |                 |       |                 |       |                 |       |                 |       |                 |       |                 |       |                 |       |                 |       |                 |       |                 |       |                 |       |                 |       |                 |       |                 |       |                 |       |                 |       |                 |       |                 |       |                 |       |                 |       |                 |       |                 |       |                 |       |                 |       |                 |       |                 |       |                 |       |                 |       |                 |       |                 |       |                 |       |                 |       |                 |       |                 |       |                 |       |                 |       |                 |       |                 |       |                 |       |                 |       |                 |       |                 |       |                 |       |                 |       |                 |       |                 |       |                 |       |                 |       |                 |       |                 |       |                 |       |                 |       |                 |       |                 |       |                 |       |                 |       |                 |       |                 |       |                 |       |                 |       |                 |       |                 |       |                 |       |                 |       |                 |       |                 |       |                 |       |                 |       |                 |       |                 |       |                 |       |                 |       |                 |       |                 |       |                 |       |                 |       |                 |       |                 |       |                 |       |                 |       |                 |       |                 |       |                 |       |                 |       |                 |       |                 |       |                 |       |                 |       |                 |       |                 |       |                 |       |                 |       |                 |       |                 |       |                 |       |                 |       |                 |      |                 |       |                 |       |                 |       |                 |       |                 |       |                 |       |                 |       |                 |       |                 |       |                 |       |                 |       |                 |       |                 |       |                 |       |                 |       |                 |       |                 |       |                 |       |                 |       |                 |       |                 |       |                 |       |                 |       |                 |       |                 |       |                 |       |                 |       |                 |       |                 |       |                 |       |                 |       |                 |       |                 |       |                 |       |                 |       |                 |       |                 |       |                 |       |                 |      |                 |      |                 |      |                 |  |                 |  |                 |  |                 |  |  |  |  |  |  |  |  |  |  |  |  |  |  |  |  |  |
| 68              | 198        | 20.57    | 0.95                   | 73              | 185     | 19.27           | 1.01       | 82           | 164                    | 17.03           | 1.15    | 98           | 138  | 14.33           | 1.36  | 109             | 124   | 12.87           | 1.52  | 126             | 107   | 11.08        | 1.68  | 134             | 100   | 10.42           | 1.74  | 156          | 86    | 8.97         | 1.91  | 175             | 77    | 8.01         | 2.1   | 206          | 66    | 6.81            | 2.0   | 229          | 59    | 6.11         | 2.2   | 266             | 51    | 5.27         | 2.3   | 283          | 48    | 4.95            | 2.4   | 329          | 41    | 4.26         | 2.5   | 367             | 37    | 3.81         | 2.7   | <b>2.2kW</b> |       |                 |       |              |       | <b>2.2kW</b> |       |                 |       |              |       | 1.00         | 18699 | 1420            | 0.90  | F 157R97     | 4     | 1.00         | 18699 |                 |       | 1420         | 0.90  |              |       | 1.09            | 17224 |              |       | 1308         | 0.98  |                 |       | 1.21         | 15394 |              |       | 1169            | 1.10  |              |       | 1.49         | 12549 |              |       | 953          | 1.35  |              |       | 1.68         | 11127 |              |       | 845          | 1.52  |              |       | 1.86         | 10061 |                 |       | 764          | 1.68  |                 |       | 2.1             | 8954  |                 |       | 680             | 1.89  |                 |       | 2.5             | 7585  |                 |       | 576             | 2.2   | 3.2             | 5873  | 446             | 2.9   | 4.7             | 3964  | 301             | 4.3   | 5.2             | 3582  | 272             | 4.7   | 6.1             | 3042  | 231             | 5.6   | 7.2             | 2581  | 196             | 6.6   | 1.31            | 14288 | 1085            | 0.79  | 1.52            | 12339 | 937             | 0.91  | 1.72            | 10890 | 827             | 1.04  | 1.94            | 9652  | 733             | 1.17  | <b>F 127R77</b> |       |                 |       |                 |       | <b>F 127R77</b> |       |                 |       |                 |       |                 |       |                 |       |                 |       |                 |       |                 |       |                 |       |                 |       |                 |       |                 |       |                 |       |                 |       |                 |       |                 |       |                 |       |                 |       |                 |       |                 |       |                 |       |                 |       |                 |       |                 |       |                 |       |                 |       |                 |       |                 |       |                 |       |                 |       |                 |       |                 |       |                 |       |                 |       |                 |       |                 |       |                 |       |                 |       |                 |       |                 |       |                 |       |                 |       |                 |       |                 |       |                 |       |                 |       |                 |       |                 |       |                 |       |                 |       |                 |       |                 |       |                 |       |                 |       |                 |       |                 |       |                 |       |                 |       |                 |       |                 |       |                 |       |                 |       |                 |       |                 |       |                 |       |                 |       |                 |       |                 |       |                 |       |                 |       |                 |       |                 |       |                 |       |                 |       |                 |       |                 |       |                 |       |                 |       |                 |       |                 |       |                 |       |                 |       |                 |       |                 |       |                 |       |                 |       |                 |       |                 |       |                 |       |                 |       |                 |       |                 |       |                 |       |                 |       |                 |       |                 |       |                 |       |                 |       |                 |       |                 |       |                 |       |                 |       |                 |       |                 |       |                 |       |                 |       |                 |       |                 |       |                 |       |                 |       |                 |      |                 |       |                 |       |                 |       |                 |       |                 |       |                 |       |                 |       |                 |       |                 |       |                 |       |                 |       |                 |       |                 |       |                 |       |                 |       |                 |       |                 |       |                 |       |                 |       |                 |       |                 |       |                 |       |                 |       |                 |       |                 |       |                 |       |                 |       |                 |       |                 |       |                 |       |                 |       |                 |       |                 |       |                 |       |                 |       |                 |       |                 |       |                 |       |                 |      |                 |      |                 |      |                 |  |                 |  |                 |  |                 |  |  |  |  |  |  |  |  |  |  |  |  |  |  |  |  |  |
| 73              | 185        | 19.27    | 1.01                   | 82              | 164     | 17.03           | 1.15       | 98           | 138                    | 14.33           | 1.36    | 109          | 124  | 12.87           | 1.52  | 126             | 107   | 11.08           | 1.68  | 134             | 100   | 10.42        | 1.74  | 156             | 86    | 8.97            | 1.91  | 175          | 77    | 8.01         | 2.1   | 206             | 66    | 6.81         | 2.0   | 229          | 59    | 6.11            | 2.2   | 266          | 51    | 5.27         | 2.3   | 283             | 48    | 4.95         | 2.4   | 329          | 41    | 4.26            | 2.5   | 367          | 37    | 3.81         | 2.7   | <b>2.2kW</b>    |       |              |       |              |       | <b>2.2kW</b>    |       |              |       |              |       | 1.00            | 18699 | 1420         | 0.90  | F 157R97     | 4     | 1.00            | 18699 |              |       | 1420         | 0.90  |                 |       | 1.09         | 17224 |              |       | 1308            | 0.98  |              |       | 1.21         | 15394 |                 |       | 1169         | 1.10  |              |       | 1.49            | 12549 |              |       | 953          | 1.35  |              |       | 1.68         | 11127 |              |       | 845          | 1.52  |              |       | 1.86         | 10061 |              |       | 764          | 1.68  |                 |       | 2.1          | 8954  |                 |       | 680             | 1.89  |                 |       | 2.5             | 7585  |                 |       | 576             | 2.2   | 3.2             | 5873  | 446             | 2.9   | 4.7             | 3964  | 301             | 4.3   | 5.2             | 3582  | 272             | 4.7   | 6.1             | 3042  | 231             | 5.6   | 7.2             | 2581  | 196             | 6.6   | 1.31            | 14288 | 1085            | 0.79  | 1.52            | 12339 | 937             | 0.91  | 1.72            | 10890 | 827             | 1.04  | 1.94            | 9652  | 733             | 1.17  | <b>F 127R77</b> |       |                 |       |                 |       | <b>F 127R77</b> |       |                 |       |                 |       |                 |       |                 |       |                 |       |                 |       |                 |       |                 |       |                 |       |                 |       |                 |       |                 |       |                 |       |                 |       |                 |       |                 |       |                 |       |                 |       |                 |       |                 |       |                 |       |                 |       |                 |       |                 |       |                 |       |                 |       |                 |       |                 |       |                 |       |                 |       |                 |       |                 |       |                 |       |                 |       |                 |       |                 |       |                 |       |                 |       |                 |       |                 |       |                 |       |                 |       |                 |       |                 |       |                 |       |                 |       |                 |       |                 |       |                 |       |                 |       |                 |       |                 |       |                 |       |                 |       |                 |       |                 |       |                 |       |                 |       |                 |       |                 |       |                 |       |                 |       |                 |       |                 |       |                 |       |                 |       |                 |       |                 |       |                 |       |                 |       |                 |       |                 |       |                 |       |                 |       |                 |       |                 |       |                 |       |                 |       |                 |       |                 |       |                 |       |                 |       |                 |       |                 |       |                 |       |                 |       |                 |       |                 |       |                 |       |                 |       |                 |       |                 |       |                 |       |                 |       |                 |       |                 |       |                 |       |                 |       |                 |       |                 |       |                 |       |                 |       |                 |       |                 |       |                 |       |                 |       |                 |       |                 |       |                 |       |                 |       |                 |       |                 |      |                 |       |                 |       |                 |       |                 |       |                 |       |                 |       |                 |       |                 |       |                 |       |                 |       |                 |       |                 |       |                 |       |                 |       |                 |       |                 |       |                 |       |                 |       |                 |       |                 |       |                 |       |                 |       |                 |       |                 |       |                 |       |                 |       |                 |       |                 |       |                 |       |                 |       |                 |       |                 |       |                 |       |                 |       |                 |       |                 |       |                 |       |                 |       |                 |      |                 |      |                 |      |                 |  |                 |  |                 |  |                 |  |  |  |  |  |  |  |  |  |  |  |  |  |  |  |  |  |
| 82              | 164        | 17.03    | 1.15                   | 98              | 138     | 14.33           | 1.36       | 109          | 124                    | 12.87           | 1.52    | 126          | 107  | 11.08           | 1.68  | 134             | 100   | 10.42           | 1.74  | 156             | 86    | 8.97         | 1.91  | 175             | 77    | 8.01            | 2.1   | 206          | 66    | 6.81         | 2.0   | 229             | 59    | 6.11         | 2.2   | 266          | 51    | 5.27            | 2.3   | 283          | 48    | 4.95         | 2.4   | 329             | 41    | 4.26         | 2.5   | 367          | 37    | 3.81            | 2.7   | <b>2.2kW</b> |       |              |       |                 |       | <b>2.2kW</b> |       |              |       |                 |       | 1.00         | 18699 | 1420         | 0.90  | F 157R97        | 4     | 1.00         | 18699 |              |       | 1420            | 0.90  |              |       | 1.09         | 17224 |                 |       | 1308         | 0.98  |              |       | 1.21            | 15394 |              |       | 1169         | 1.10  |                 |       | 1.49         | 12549 |              |       | 953             | 1.35  |              |       | 1.68         | 11127 |              |       | 845          | 1.52  |              |       | 1.86         | 10061 |              |       | 764          | 1.68  |              |       | 2.1          | 8954  |                 |       | 680          | 1.89  |                 |       | 2.5             | 7585  |                 |       | 576             | 2.2   | 3.2             | 5873  | 446             | 2.9   | 4.7             | 3964  | 301             | 4.3   | 5.2             | 3582  | 272             | 4.7   | 6.1             | 3042  | 231             | 5.6   | 7.2             | 2581  | 196             | 6.6   | 1.31            | 14288 | 1085            | 0.79  | 1.52            | 12339 | 937             | 0.91  | 1.72            | 10890 | 827             | 1.04  | 1.94            | 9652  | 733             | 1.17  | <b>F 127R77</b> |       |                 |       |                 |       | <b>F 127R77</b> |       |                 |       |                 |       |                 |       |                 |       |                 |       |                 |       |                 |       |                 |       |                 |       |                 |       |                 |       |                 |       |                 |       |                 |       |                 |       |                 |       |                 |       |                 |       |                 |       |                 |       |                 |       |                 |       |                 |       |                 |       |                 |       |                 |       |                 |       |                 |       |                 |       |                 |       |                 |       |                 |       |                 |       |                 |       |                 |       |                 |       |                 |       |                 |       |                 |       |                 |       |                 |       |                 |       |                 |       |                 |       |                 |       |                 |       |                 |       |                 |       |                 |       |                 |       |                 |       |                 |       |                 |       |                 |       |                 |       |                 |       |                 |       |                 |       |                 |       |                 |       |                 |       |                 |       |                 |       |                 |       |                 |       |                 |       |                 |       |                 |       |                 |       |                 |       |                 |       |                 |       |                 |       |                 |       |                 |       |                 |       |                 |       |                 |       |                 |       |                 |       |                 |       |                 |       |                 |       |                 |       |                 |       |                 |       |                 |       |                 |       |                 |       |                 |       |                 |       |                 |       |                 |       |                 |       |                 |       |                 |       |                 |       |                 |       |                 |       |                 |       |                 |       |                 |       |                 |       |                 |       |                 |       |                 |       |                 |       |                 |       |                 |       |                 |       |                 |       |                 |       |                 |       |                 |      |                 |       |                 |       |                 |       |                 |       |                 |       |                 |       |                 |       |                 |       |                 |       |                 |       |                 |       |                 |       |                 |       |                 |       |                 |       |                 |       |                 |       |                 |       |                 |       |                 |       |                 |       |                 |       |                 |       |                 |       |                 |       |                 |       |                 |       |                 |       |                 |       |                 |       |                 |       |                 |       |                 |       |                 |       |                 |       |                 |       |                 |       |                 |       |                 |      |                 |      |                 |      |                 |  |                 |  |                 |  |                 |  |  |  |  |  |  |  |  |  |  |  |  |  |  |  |  |  |
| 98              | 138        | 14.33    | 1.36                   | 109             | 124     | 12.87           | 1.52       | 126          | 107                    | 11.08           | 1.68    | 134          | 100  | 10.42           | 1.74  | 156             | 86    | 8.97            | 1.91  | 175             | 77    | 8.01         | 2.1   | 206             | 66    | 6.81            | 2.0   | 229          | 59    | 6.11         | 2.2   | 266             | 51    | 5.27         | 2.3   | 283          | 48    | 4.95            | 2.4   | 329          | 41    | 4.26         | 2.5   | 367             | 37    | 3.81         | 2.7   | <b>2.2kW</b> |       |                 |       |              |       | <b>2.2kW</b> |       |                 |       |              |       | 1.00         | 18699 | 1420            | 0.90  | F 157R97     | 4     | 1.00         | 18699 |                 |       | 1420         | 0.90  |              |       | 1.09            | 17224 |              |       | 1308         | 0.98  |                 |       | 1.21         | 15394 |              |       | 1169            | 1.10  |              |       | 1.49         | 12549 |                 |       | 953          | 1.35  |              |       | 1.68            | 11127 |              |       | 845          | 1.52  |              |       | 1.86         | 10061 |              |       | 764          | 1.68  |              |       | 2.1          | 8954  |              |       | 680          | 1.89  |                 |       | 2.5          | 7585  |                 |       | 576             | 2.2   | 3.2             | 5873  | 446             | 2.9   | 4.7             | 3964  | 301             | 4.3   | 5.2             | 3582  | 272             | 4.7   | 6.1             | 3042  | 231             | 5.6   | 7.2             | 2581  | 196             | 6.6   | 1.31            | 14288 | 1085            | 0.79  | 1.52            | 12339 | 937             | 0.91  | 1.72            | 10890 | 827             | 1.04  | 1.94            | 9652  | 733             | 1.17  | <b>F 127R77</b> |       |                 |       |                 |       | <b>F 127R77</b> |       |                 |       |                 |       |                 |       |                 |       |                 |       |                 |       |                 |       |                 |       |                 |       |                 |       |                 |       |                 |       |                 |       |                 |       |                 |       |                 |       |                 |       |                 |       |                 |       |                 |       |                 |       |                 |       |                 |       |                 |       |                 |       |                 |       |                 |       |                 |       |                 |       |                 |       |                 |       |                 |       |                 |       |                 |       |                 |       |                 |       |                 |       |                 |       |                 |       |                 |       |                 |       |                 |       |                 |       |                 |       |                 |       |                 |       |                 |       |                 |       |                 |       |                 |       |                 |       |                 |       |                 |       |                 |       |                 |       |                 |       |                 |       |                 |       |                 |       |                 |       |                 |       |                 |       |                 |       |                 |       |                 |       |                 |       |                 |       |                 |       |                 |       |                 |       |                 |       |                 |       |                 |       |                 |       |                 |       |                 |       |                 |       |                 |       |                 |       |                 |       |                 |       |                 |       |                 |       |                 |       |                 |       |                 |       |                 |       |                 |       |                 |       |                 |       |                 |       |                 |       |                 |       |                 |       |                 |       |                 |       |                 |       |                 |       |                 |       |                 |       |                 |       |                 |       |                 |       |                 |       |                 |       |                 |       |                 |       |                 |       |                 |       |                 |       |                 |       |                 |       |                 |       |                 |       |                 |       |                 |      |                 |       |                 |       |                 |       |                 |       |                 |       |                 |       |                 |       |                 |       |                 |       |                 |       |                 |       |                 |       |                 |       |                 |       |                 |       |                 |       |                 |       |                 |       |                 |       |                 |       |                 |       |                 |       |                 |       |                 |       |                 |       |                 |       |                 |       |                 |       |                 |       |                 |       |                 |       |                 |       |                 |       |                 |       |                 |       |                 |       |                 |       |                 |       |                 |      |                 |      |                 |      |                 |  |                 |  |                 |  |                 |  |  |  |  |  |  |  |  |  |  |  |  |  |  |  |  |  |
| 109             | 124        | 12.87    | 1.52                   | 126             | 107     | 11.08           | 1.68       | 134          | 100                    | 10.42           | 1.74    | 156          | 86   | 8.97            | 1.91  | 175             | 77    | 8.01            | 2.1   | 206             | 66    | 6.81         | 2.0   | 229             | 59    | 6.11            | 2.2   | 266          | 51    | 5.27         | 2.3   | 283             | 48    | 4.95         | 2.4   | 329          | 41    | 4.26            | 2.5   | 367          | 37    | 3.81         | 2.7   | <b>2.2kW</b>    |       |              |       |              |       | <b>2.2kW</b>    |       |              |       |              |       | 1.00            | 18699 | 1420         | 0.90  | F 157R97     | 4     | 1.00            | 18699 |              |       | 1420         | 0.90  |                 |       | 1.09         | 17224 |              |       | 1308            | 0.98  |              |       | 1.21         | 15394 |                 |       | 1169         | 1.10  |              |       | 1.49            | 12549 |              |       | 953          | 1.35  |                 |       | 1.68         | 11127 |              |       | 845             | 1.52  |              |       | 1.86         | 10061 |              |       | 764          | 1.68  |              |       | 2.1          | 8954  |              |       | 680          | 1.89  |              |       | 2.5          | 7585  |                 |       | 576          | 2.2   | 3.2             | 5873  | 446             | 2.9   | 4.7             | 3964  | 301             | 4.3   | 5.2             | 3582  | 272             | 4.7   | 6.1             | 3042  | 231             | 5.6   | 7.2             | 2581  | 196             | 6.6   | 1.31            | 14288 | 1085            | 0.79  | 1.52            | 12339 | 937             | 0.91  | 1.72            | 10890 | 827             | 1.04  | 1.94            | 9652  | 733             | 1.17  | <b>F 127R77</b> |       |                 |       |                 |       | <b>F 127R77</b> |       |                 |       |                 |       |                 |       |                 |       |                 |       |                 |       |                 |       |                 |       |                 |       |                 |       |                 |       |                 |       |                 |       |                 |       |                 |       |                 |       |                 |       |                 |       |                 |       |                 |       |                 |       |                 |       |                 |       |                 |       |                 |       |                 |       |                 |       |                 |       |                 |       |                 |       |                 |       |                 |       |                 |       |                 |       |                 |       |                 |       |                 |       |                 |       |                 |       |                 |       |                 |       |                 |       |                 |       |                 |       |                 |       |                 |       |                 |       |                 |       |                 |       |                 |       |                 |       |                 |       |                 |       |                 |       |                 |       |                 |       |                 |       |                 |       |                 |       |                 |       |                 |       |                 |       |                 |       |                 |       |                 |       |                 |       |                 |       |                 |       |                 |       |                 |       |                 |       |                 |       |                 |       |                 |       |                 |       |                 |       |                 |       |                 |       |                 |       |                 |       |                 |       |                 |       |                 |       |                 |       |                 |       |                 |       |                 |       |                 |       |                 |       |                 |       |                 |       |                 |       |                 |       |                 |       |                 |       |                 |       |                 |       |                 |       |                 |       |                 |       |                 |       |                 |       |                 |       |                 |       |                 |       |                 |       |                 |       |                 |       |                 |       |                 |       |                 |       |                 |       |                 |       |                 |       |                 |       |                 |       |                 |       |                 |      |                 |       |                 |       |                 |       |                 |       |                 |       |                 |       |                 |       |                 |       |                 |       |                 |       |                 |       |                 |       |                 |       |                 |       |                 |       |                 |       |                 |       |                 |       |                 |       |                 |       |                 |       |                 |       |                 |       |                 |       |                 |       |                 |       |                 |       |                 |       |                 |       |                 |       |                 |       |                 |       |                 |       |                 |       |                 |       |                 |       |                 |       |                 |       |                 |      |                 |      |                 |      |                 |  |                 |  |                 |  |                 |  |  |  |  |  |  |  |  |  |  |  |  |  |  |  |  |  |
| 126             | 107        | 11.08    | 1.68                   | 134             | 100     | 10.42           | 1.74       | 156          | 86                     | 8.97            | 1.91    | 175          | 77   | 8.01            | 2.1   | 206             | 66    | 6.81            | 2.0   | 229             | 59    | 6.11         | 2.2   | 266             | 51    | 5.27            | 2.3   | 283          | 48    | 4.95         | 2.4   | 329             | 41    | 4.26         | 2.5   | 367          | 37    | 3.81            | 2.7   | <b>2.2kW</b> |       |              |       |                 |       | <b>2.2kW</b> |       |              |       |                 |       | 1.00         | 18699 | 1420         | 0.90  | F 157R97        | 4     | 1.00         | 18699 |              |       | 1420            | 0.90  |              |       | 1.09         | 17224 |                 |       | 1308         | 0.98  |              |       | 1.21            | 15394 |              |       | 1169         | 1.10  |                 |       | 1.49         | 12549 |              |       | 953             | 1.35  |              |       | 1.68         | 11127 |                 |       | 845          | 1.52  |              |       | 1.86            | 10061 |              |       | 764          | 1.68  |              |       | 2.1          | 8954  |              |       | 680          | 1.89  |              |       | 2.5          | 7585  |              |       | 576          | 2.2   | 3.2             | 5873  | 446          | 2.9   | 4.7             | 3964  | 301             | 4.3   | 5.2             | 3582  | 272             | 4.7   | 6.1             | 3042  | 231             | 5.6   | 7.2             | 2581  | 196             | 6.6   | 1.31            | 14288 | 1085            | 0.79  | 1.52            | 12339 | 937             | 0.91  | 1.72            | 10890 | 827             | 1.04  | 1.94            | 9652  | 733             | 1.17  | <b>F 127R77</b> |       |                 |       |                 |       | <b>F 127R77</b> |       |                 |       |                 |       |                 |       |                 |       |                 |       |                 |       |                 |       |                 |       |                 |       |                 |       |                 |       |                 |       |                 |       |                 |       |                 |       |                 |       |                 |       |                 |       |                 |       |                 |       |                 |       |                 |       |                 |       |                 |       |                 |       |                 |       |                 |       |                 |       |                 |       |                 |       |                 |       |                 |       |                 |       |                 |       |                 |       |                 |       |                 |       |                 |       |                 |       |                 |       |                 |       |                 |       |                 |       |                 |       |                 |       |                 |       |                 |       |                 |       |                 |       |                 |       |                 |       |                 |       |                 |       |                 |       |                 |       |                 |       |                 |       |                 |       |                 |       |                 |       |                 |       |                 |       |                 |       |                 |       |                 |       |                 |       |                 |       |                 |       |                 |       |                 |       |                 |       |                 |       |                 |       |                 |       |                 |       |                 |       |                 |       |                 |       |                 |       |                 |       |                 |       |                 |       |                 |       |                 |       |                 |       |                 |       |                 |       |                 |       |                 |       |                 |       |                 |       |                 |       |                 |       |                 |       |                 |       |                 |       |                 |       |                 |       |                 |       |                 |       |                 |       |                 |       |                 |       |                 |       |                 |       |                 |       |                 |       |                 |       |                 |       |                 |       |                 |       |                 |       |                 |       |                 |       |                 |       |                 |       |                 |       |                 |       |                 |       |                 |      |                 |       |                 |       |                 |       |                 |       |                 |       |                 |       |                 |       |                 |       |                 |       |                 |       |                 |       |                 |       |                 |       |                 |       |                 |       |                 |       |                 |       |                 |       |                 |       |                 |       |                 |       |                 |       |                 |       |                 |       |                 |       |                 |       |                 |       |                 |       |                 |       |                 |       |                 |       |                 |       |                 |       |                 |       |                 |       |                 |       |                 |       |                 |       |                 |      |                 |      |                 |      |                 |  |                 |  |                 |  |                 |  |  |  |  |  |  |  |  |  |  |  |  |  |  |  |  |  |
| 134             | 100        | 10.42    | 1.74                   | 156             | 86      | 8.97            | 1.91       | 175          | 77                     | 8.01            | 2.1     | 206          | 66   | 6.81            | 2.0   | 229             | 59    | 6.11            | 2.2   | 266             | 51    | 5.27         | 2.3   | 283             | 48    | 4.95            | 2.4   | 329          | 41    | 4.26         | 2.5   | 367             | 37    | 3.81         | 2.7   | <b>2.2kW</b> |       |                 |       |              |       | <b>2.2kW</b> |       |                 |       |              |       | 1.00         | 18699 | 1420            | 0.90  | F 157R97     | 4     | 1.00         | 18699 |                 |       | 1420         | 0.90  |              |       | 1.09            | 17224 |              |       | 1308         | 0.98  |                 |       | 1.21         | 15394 |              |       | 1169            | 1.10  |              |       | 1.49         | 12549 |                 |       | 953          | 1.35  |              |       | 1.68            | 11127 |              |       | 845          | 1.52  |                 |       | 1.86         | 10061 |              |       | 764             | 1.68  |              |       | 2.1          | 8954  |              |       | 680          | 1.89  |              |       | 2.5          | 7585  |              |       | 576          | 2.2   | 3.2          | 5873  | 446          | 2.9   | 4.7             | 3964  | 301          | 4.3   | 5.2             | 3582  | 272             | 4.7   | 6.1             | 3042  | 231             | 5.6   | 7.2             | 2581  | 196             | 6.6   | 1.31            | 14288 | 1085            | 0.79  | 1.52            | 12339 | 937             | 0.91  | 1.72            | 10890 | 827             | 1.04  | 1.94            | 9652  | 733             | 1.17  | <b>F 127R77</b> |       |                 |       |                 |       | <b>F 127R77</b> |       |                 |       |                 |       |                 |       |                 |       |                 |       |                 |       |                 |       |                 |       |                 |       |                 |       |                 |       |                 |       |                 |       |                 |       |                 |       |                 |       |                 |       |                 |       |                 |       |                 |       |                 |       |                 |       |                 |       |                 |       |                 |       |                 |       |                 |       |                 |       |                 |       |                 |       |                 |       |                 |       |                 |       |                 |       |                 |       |                 |       |                 |       |                 |       |                 |       |                 |       |                 |       |                 |       |                 |       |                 |       |                 |       |                 |       |                 |       |                 |       |                 |       |                 |       |                 |       |                 |       |                 |       |                 |       |                 |       |                 |       |                 |       |                 |       |                 |       |                 |       |                 |       |                 |       |                 |       |                 |       |                 |       |                 |       |                 |       |                 |       |                 |       |                 |       |                 |       |                 |       |                 |       |                 |       |                 |       |                 |       |                 |       |                 |       |                 |       |                 |       |                 |       |                 |       |                 |       |                 |       |                 |       |                 |       |                 |       |                 |       |                 |       |                 |       |                 |       |                 |       |                 |       |                 |       |                 |       |                 |       |                 |       |                 |       |                 |       |                 |       |                 |       |                 |       |                 |       |                 |       |                 |       |                 |       |                 |       |                 |       |                 |       |                 |       |                 |       |                 |       |                 |       |                 |       |                 |       |                 |       |                 |       |                 |       |                 |       |                 |       |                 |       |                 |      |                 |       |                 |       |                 |       |                 |       |                 |       |                 |       |                 |       |                 |       |                 |       |                 |       |                 |       |                 |       |                 |       |                 |       |                 |       |                 |       |                 |       |                 |       |                 |       |                 |       |                 |       |                 |       |                 |       |                 |       |                 |       |                 |       |                 |       |                 |       |                 |       |                 |       |                 |       |                 |       |                 |       |                 |       |                 |       |                 |       |                 |       |                 |       |                 |      |                 |      |                 |      |                 |  |                 |  |                 |  |                 |  |  |  |  |  |  |  |  |  |  |  |  |  |  |  |  |  |
| 156             | 86         | 8.97     | 1.91                   | 175             | 77      | 8.01            | 2.1        | 206          | 66                     | 6.81            | 2.0     | 229          | 59   | 6.11            | 2.2   | 266             | 51    | 5.27            | 2.3   | 283             | 48    | 4.95         | 2.4   | 329             | 41    | 4.26            | 2.5   | 367          | 37    | 3.81         | 2.7   | <b>2.2kW</b>    |       |              |       |              |       | <b>2.2kW</b>    |       |              |       |              |       | 1.00            | 18699 | 1420         | 0.90  | F 157R97     | 4     | 1.00            | 18699 |              |       | 1420         | 0.90  |                 |       | 1.09         | 17224 |              |       | 1308            | 0.98  |              |       | 1.21         | 15394 |                 |       | 1169         | 1.10  |              |       | 1.49            | 12549 |              |       | 953          | 1.35  |                 |       | 1.68         | 11127 |              |       | 845             | 1.52  |              |       | 1.86         | 10061 |                 |       | 764          | 1.68  |              |       | 2.1             | 8954  |              |       | 680          | 1.89  |              |       | 2.5          | 7585  |              |       | 576          | 2.2   | 3.2          | 5873  | 446          | 2.9   | 4.7          | 3964  | 301          | 4.3   | 5.2             | 3582  | 272          | 4.7   | 6.1             | 3042  | 231             | 5.6   | 7.2             | 2581  | 196             | 6.6   | 1.31            | 14288 | 1085            | 0.79  | 1.52            | 12339 | 937             | 0.91  | 1.72            | 10890 | 827             | 1.04  | 1.94            | 9652  | 733             | 1.17  | <b>F 127R77</b> |       |                 |       |                 |       | <b>F 127R77</b> |       |                 |       |                 |       |                 |       |                 |       |                 |       |                 |       |                 |       |                 |       |                 |       |                 |       |                 |       |                 |       |                 |       |                 |       |                 |       |                 |       |                 |       |                 |       |                 |       |                 |       |                 |       |                 |       |                 |       |                 |       |                 |       |                 |       |                 |       |                 |       |                 |       |                 |       |                 |       |                 |       |                 |       |                 |       |                 |       |                 |       |                 |       |                 |       |                 |       |                 |       |                 |       |                 |       |                 |       |                 |       |                 |       |                 |       |                 |       |                 |       |                 |       |                 |       |                 |       |                 |       |                 |       |                 |       |                 |       |                 |       |                 |       |                 |       |                 |       |                 |       |                 |       |                 |       |                 |       |                 |       |                 |       |                 |       |                 |       |                 |       |                 |       |                 |       |                 |       |                 |       |                 |       |                 |       |                 |       |                 |       |                 |       |                 |       |                 |       |                 |       |                 |       |                 |       |                 |       |                 |       |                 |       |                 |       |                 |       |                 |       |                 |       |                 |       |                 |       |                 |       |                 |       |                 |       |                 |       |                 |       |                 |       |                 |       |                 |       |                 |       |                 |       |                 |       |                 |       |                 |       |                 |       |                 |       |                 |       |                 |       |                 |       |                 |       |                 |       |                 |       |                 |       |                 |       |                 |       |                 |       |                 |       |                 |       |                 |       |                 |       |                 |       |                 |       |                 |       |                 |      |                 |       |                 |       |                 |       |                 |       |                 |       |                 |       |                 |       |                 |       |                 |       |                 |       |                 |       |                 |       |                 |       |                 |       |                 |       |                 |       |                 |       |                 |       |                 |       |                 |       |                 |       |                 |       |                 |       |                 |       |                 |       |                 |       |                 |       |                 |       |                 |       |                 |       |                 |       |                 |       |                 |       |                 |       |                 |       |                 |       |                 |       |                 |       |                 |      |                 |      |                 |      |                 |  |                 |  |                 |  |                 |  |  |  |  |  |  |  |  |  |  |  |  |  |  |  |  |  |
| 175             | 77         | 8.01     | 2.1                    | 206             | 66      | 6.81            | 2.0        | 229          | 59                     | 6.11            | 2.2     | 266          | 51   | 5.27            | 2.3   | 283             | 48    | 4.95            | 2.4   | 329             | 41    | 4.26         | 2.5   | 367             | 37    | 3.81            | 2.7   | <b>2.2kW</b> |       |              |       |                 |       | <b>2.2kW</b> |       |              |       |                 |       | 1.00         | 18699 | 1420         | 0.90  | F 157R97        | 4     | 1.00         | 18699 |              |       | 1420            | 0.90  |              |       | 1.09         | 17224 |                 |       | 1308         | 0.98  |              |       | 1.21            | 15394 |              |       | 1169         | 1.10  |                 |       | 1.49         | 12549 |              |       | 953             | 1.35  |              |       | 1.68         | 11127 |                 |       | 845          | 1.52  |              |       | 1.86            | 10061 |              |       | 764          | 1.68  |                 |       | 2.1          | 8954  |              |       | 680             | 1.89  |              |       | 2.5          | 7585  |              |       | 576          | 2.2   | 3.2          | 5873  | 446          | 2.9   | 4.7          | 3964  | 301          | 4.3   | 5.2          | 3582  | 272          | 4.7   | 6.1             | 3042  | 231          | 5.6   | 7.2             | 2581  | 196             | 6.6   | 1.31            | 14288 | 1085            | 0.79  | 1.52            | 12339 | 937             | 0.91  | 1.72            | 10890 | 827             | 1.04  | 1.94            | 9652  | 733             | 1.17  | <b>F 127R77</b> |       |                 |       |                 |       | <b>F 127R77</b> |       |                 |       |                 |       |                 |       |                 |       |                 |       |                 |       |                 |       |                 |       |                 |       |                 |       |                 |       |                 |       |                 |       |                 |       |                 |       |                 |       |                 |       |                 |       |                 |       |                 |       |                 |       |                 |       |                 |       |                 |       |                 |       |                 |       |                 |       |                 |       |                 |       |                 |       |                 |       |                 |       |                 |       |                 |       |                 |       |                 |       |                 |       |                 |       |                 |       |                 |       |                 |       |                 |       |                 |       |                 |       |                 |       |                 |       |                 |       |                 |       |                 |       |                 |       |                 |       |                 |       |                 |       |                 |       |                 |       |                 |       |                 |       |                 |       |                 |       |                 |       |                 |       |                 |       |                 |       |                 |       |                 |       |                 |       |                 |       |                 |       |                 |       |                 |       |                 |       |                 |       |                 |       |                 |       |                 |       |                 |       |                 |       |                 |       |                 |       |                 |       |                 |       |                 |       |                 |       |                 |       |                 |       |                 |       |                 |       |                 |       |                 |       |                 |       |                 |       |                 |       |                 |       |                 |       |                 |       |                 |       |                 |       |                 |       |                 |       |                 |       |                 |       |                 |       |                 |       |                 |       |                 |       |                 |       |                 |       |                 |       |                 |       |                 |       |                 |       |                 |       |                 |       |                 |       |                 |       |                 |       |                 |       |                 |       |                 |       |                 |       |                 |       |                 |       |                 |       |                 |       |                 |       |                 |      |                 |       |                 |       |                 |       |                 |       |                 |       |                 |       |                 |       |                 |       |                 |       |                 |       |                 |       |                 |       |                 |       |                 |       |                 |       |                 |       |                 |       |                 |       |                 |       |                 |       |                 |       |                 |       |                 |       |                 |       |                 |       |                 |       |                 |       |                 |       |                 |       |                 |       |                 |       |                 |       |                 |       |                 |       |                 |       |                 |       |                 |       |                 |       |                 |      |                 |      |                 |      |                 |  |                 |  |                 |  |                 |  |  |  |  |  |  |  |  |  |  |  |  |  |  |  |  |  |
| 206             | 66         | 6.81     | 2.0                    | 229             | 59      | 6.11            | 2.2        | 266          | 51                     | 5.27            | 2.3     | 283          | 48   | 4.95            | 2.4   | 329             | 41    | 4.26            | 2.5   | 367             | 37    | 3.81         | 2.7   | <b>2.2kW</b>    |       |                 |       |              |       | <b>2.2kW</b> |       |                 |       |              |       | 1.00         | 18699 | 1420            | 0.90  | F 157R97     | 4     | 1.00         | 18699 |                 |       | 1420         | 0.90  |              |       | 1.09            | 17224 |              |       | 1308         | 0.98  |                 |       | 1.21         | 15394 |              |       | 1169            | 1.10  |              |       | 1.49         | 12549 |                 |       | 953          | 1.35  |              |       | 1.68            | 11127 |              |       | 845          | 1.52  |                 |       | 1.86         | 10061 |              |       | 764             | 1.68  |              |       | 2.1          | 8954  |                 |       | 680          | 1.89  |              |       | 2.5             | 7585  |              |       | 576          | 2.2   | 3.2          | 5873  | 446          | 2.9   | 4.7          | 3964  | 301          | 4.3   | 5.2          | 3582  | 272          | 4.7   | 6.1          | 3042  | 231          | 5.6   | 7.2             | 2581  | 196          | 6.6   | 1.31            | 14288 | 1085            | 0.79  | 1.52            | 12339 | 937             | 0.91  | 1.72            | 10890 | 827             | 1.04  | 1.94            | 9652  | 733             | 1.17  | <b>F 127R77</b> |       |                 |       |                 |       | <b>F 127R77</b> |       |                 |       |                 |       |                 |       |                 |       |                 |       |                 |       |                 |       |                 |       |                 |       |                 |       |                 |       |                 |       |                 |       |                 |       |                 |       |                 |       |                 |       |                 |       |                 |       |                 |       |                 |       |                 |       |                 |       |                 |       |                 |       |                 |       |                 |       |                 |       |                 |       |                 |       |                 |       |                 |       |                 |       |                 |       |                 |       |                 |       |                 |       |                 |       |                 |       |                 |       |                 |       |                 |       |                 |       |                 |       |                 |       |                 |       |                 |       |                 |       |                 |       |                 |       |                 |       |                 |       |                 |       |                 |       |                 |       |                 |       |                 |       |                 |       |                 |       |                 |       |                 |       |                 |       |                 |       |                 |       |                 |       |                 |       |                 |       |                 |       |                 |       |                 |       |                 |       |                 |       |                 |       |                 |       |                 |       |                 |       |                 |       |                 |       |                 |       |                 |       |                 |       |                 |       |                 |       |                 |       |                 |       |                 |       |                 |       |                 |       |                 |       |                 |       |                 |       |                 |       |                 |       |                 |       |                 |       |                 |       |                 |       |                 |       |                 |       |                 |       |                 |       |                 |       |                 |       |                 |       |                 |       |                 |       |                 |       |                 |       |                 |       |                 |       |                 |       |                 |       |                 |       |                 |       |                 |       |                 |       |                 |       |                 |       |                 |       |                 |       |                 |       |                 |       |                 |       |                 |       |                 |       |                 |       |                 |       |                 |      |                 |       |                 |       |                 |       |                 |       |                 |       |                 |       |                 |       |                 |       |                 |       |                 |       |                 |       |                 |       |                 |       |                 |       |                 |       |                 |       |                 |       |                 |       |                 |       |                 |       |                 |       |                 |       |                 |       |                 |       |                 |       |                 |       |                 |       |                 |       |                 |       |                 |       |                 |       |                 |       |                 |       |                 |       |                 |       |                 |       |                 |       |                 |       |                 |      |                 |      |                 |      |                 |  |                 |  |                 |  |                 |  |  |  |  |  |  |  |  |  |  |  |  |  |  |  |  |  |
| 229             | 59         | 6.11     | 2.2                    | 266             | 51      | 5.27            | 2.3        | 283          | 48                     | 4.95            | 2.4     | 329          | 41   | 4.26            | 2.5   | 367             | 37    | 3.81            | 2.7   | <b>2.2kW</b>    |       |              |       |                 |       | <b>2.2kW</b>    |       |              |       |              |       | 1.00            | 18699 | 1420         | 0.90  | F 157R97     | 4     | 1.00            | 18699 |              |       | 1420         | 0.90  |                 |       | 1.09         | 17224 |              |       | 1308            | 0.98  |              |       | 1.21         | 15394 |                 |       | 1169         | 1.10  |              |       | 1.49            | 12549 |              |       | 953          | 1.35  |                 |       | 1.68         | 11127 |              |       | 845             | 1.52  |              |       | 1.86         | 10061 |                 |       | 764          | 1.68  |              |       | 2.1             | 8954  |              |       | 680          | 1.89  |                 |       | 2.5          | 7585  |              |       | 576             | 2.2   | 3.2          | 5873  | 446          | 2.9   | 4.7          | 3964  | 301          | 4.3   | 5.2          | 3582  | 272          | 4.7   | 6.1          | 3042  | 231          | 5.6   | 7.2          | 2581  | 196          | 6.6   | 1.31            | 14288 | 1085         | 0.79  | 1.52            | 12339 | 937             | 0.91  | 1.72            | 10890 | 827             | 1.04  | 1.94            | 9652  | 733             | 1.17  | <b>F 127R77</b> |       |                 |       |                 |       | <b>F 127R77</b> |       |                 |       |                 |       |                 |       |                 |       |                 |       |                 |       |                 |       |                 |       |                 |       |                 |       |                 |       |                 |       |                 |       |                 |       |                 |       |                 |       |                 |       |                 |       |                 |       |                 |       |                 |       |                 |       |                 |       |                 |       |                 |       |                 |       |                 |       |                 |       |                 |       |                 |       |                 |       |                 |       |                 |       |                 |       |                 |       |                 |       |                 |       |                 |       |                 |       |                 |       |                 |       |                 |       |                 |       |                 |       |                 |       |                 |       |                 |       |                 |       |                 |       |                 |       |                 |       |                 |       |                 |       |                 |       |                 |       |                 |       |                 |       |                 |       |                 |       |                 |       |                 |       |                 |       |                 |       |                 |       |                 |       |                 |       |                 |       |                 |       |                 |       |                 |       |                 |       |                 |       |                 |       |                 |       |                 |       |                 |       |                 |       |                 |       |                 |       |                 |       |                 |       |                 |       |                 |       |                 |       |                 |       |                 |       |                 |       |                 |       |                 |       |                 |       |                 |       |                 |       |                 |       |                 |       |                 |       |                 |       |                 |       |                 |       |                 |       |                 |       |                 |       |                 |       |                 |       |                 |       |                 |       |                 |       |                 |       |                 |       |                 |       |                 |       |                 |       |                 |       |                 |       |                 |       |                 |       |                 |       |                 |       |                 |       |                 |       |                 |       |                 |       |                 |       |                 |       |                 |       |                 |       |                 |       |                 |       |                 |       |                 |       |                 |      |                 |       |                 |       |                 |       |                 |       |                 |       |                 |       |                 |       |                 |       |                 |       |                 |       |                 |       |                 |       |                 |       |                 |       |                 |       |                 |       |                 |       |                 |       |                 |       |                 |       |                 |       |                 |       |                 |       |                 |       |                 |       |                 |       |                 |       |                 |       |                 |       |                 |       |                 |       |                 |       |                 |       |                 |       |                 |       |                 |       |                 |       |                 |       |                 |      |                 |      |                 |      |                 |  |                 |  |                 |  |                 |  |  |  |  |  |  |  |  |  |  |  |  |  |  |  |  |  |
| 266             | 51         | 5.27     | 2.3                    | 283             | 48      | 4.95            | 2.4        | 329          | 41                     | 4.26            | 2.5     | 367          | 37   | 3.81            | 2.7   | <b>2.2kW</b>    |       |                 |       |                 |       | <b>2.2kW</b> |       |                 |       |                 |       | 1.00         | 18699 | 1420         | 0.90  | F 157R97        | 4     | 1.00         | 18699 |              |       | 1420            | 0.90  |              |       | 1.09         | 17224 |                 |       | 1308         | 0.98  |              |       | 1.21            | 15394 |              |       | 1169         | 1.10  |                 |       | 1.49         | 12549 |              |       | 953             | 1.35  |              |       | 1.68         | 11127 |                 |       | 845          | 1.52  |              |       | 1.86            | 10061 |              |       | 764          | 1.68  |                 |       | 2.1          | 8954  |              |       | 680             | 1.89  |              |       | 2.5          | 7585  |                 |       | 576          | 2.2   | 3.2          | 5873  | 446             | 2.9   | 4.7          | 3964  | 301          | 4.3   | 5.2          | 3582  | 272          | 4.7   | 6.1          | 3042  | 231          | 5.6   | 7.2          | 2581  | 196          | 6.6   | 1.31         | 14288 | 1085         | 0.79  | 1.52            | 12339 | 937          | 0.91  | 1.72            | 10890 | 827             | 1.04  | 1.94            | 9652  | 733             | 1.17  | <b>F 127R77</b> |       |                 |       |                 |       | <b>F 127R77</b> |       |                 |       |                 |       |                 |       |                 |       |                 |       |                 |       |                 |       |                 |       |                 |       |                 |       |                 |       |                 |       |                 |       |                 |       |                 |       |                 |       |                 |       |                 |       |                 |       |                 |       |                 |       |                 |       |                 |       |                 |       |                 |       |                 |       |                 |       |                 |       |                 |       |                 |       |                 |       |                 |       |                 |       |                 |       |                 |       |                 |       |                 |       |                 |       |                 |       |                 |       |                 |       |                 |       |                 |       |                 |       |                 |       |                 |       |                 |       |                 |       |                 |       |                 |       |                 |       |                 |       |                 |       |                 |       |                 |       |                 |       |                 |       |                 |       |                 |       |                 |       |                 |       |                 |       |                 |       |                 |       |                 |       |                 |       |                 |       |                 |       |                 |       |                 |       |                 |       |                 |       |                 |       |                 |       |                 |       |                 |       |                 |       |                 |       |                 |       |                 |       |                 |       |                 |       |                 |       |                 |       |                 |       |                 |       |                 |       |                 |       |                 |       |                 |       |                 |       |                 |       |                 |       |                 |       |                 |       |                 |       |                 |       |                 |       |                 |       |                 |       |                 |       |                 |       |                 |       |                 |       |                 |       |                 |       |                 |       |                 |       |                 |       |                 |       |                 |       |                 |       |                 |       |                 |       |                 |       |                 |       |                 |       |                 |       |                 |       |                 |       |                 |       |                 |       |                 |       |                 |       |                 |       |                 |       |                 |       |                 |       |                 |       |                 |       |                 |       |                 |      |                 |       |                 |       |                 |       |                 |       |                 |       |                 |       |                 |       |                 |       |                 |       |                 |       |                 |       |                 |       |                 |       |                 |       |                 |       |                 |       |                 |       |                 |       |                 |       |                 |       |                 |       |                 |       |                 |       |                 |       |                 |       |                 |       |                 |       |                 |       |                 |       |                 |       |                 |       |                 |       |                 |       |                 |       |                 |       |                 |       |                 |       |                 |       |                 |      |                 |      |                 |      |                 |  |                 |  |                 |  |                 |  |  |  |  |  |  |  |  |  |  |  |  |  |  |  |  |  |
| 283             | 48         | 4.95     | 2.4                    | 329             | 41      | 4.26            | 2.5        | 367          | 37                     | 3.81            | 2.7     | <b>2.2kW</b> |      |                 |       |                 |       | <b>2.2kW</b>    |       |                 |       |              |       | 1.00            | 18699 | 1420            | 0.90  | F 157R97     | 4     | 1.00         | 18699 |                 |       | 1420         | 0.90  |              |       | 1.09            | 17224 |              |       | 1308         | 0.98  |                 |       | 1.21         | 15394 |              |       | 1169            | 1.10  |              |       | 1.49         | 12549 |                 |       | 953          | 1.35  |              |       | 1.68            | 11127 |              |       | 845          | 1.52  |                 |       | 1.86         | 10061 |              |       | 764             | 1.68  |              |       | 2.1          | 8954  |                 |       | 680          | 1.89  |              |       | 2.5             | 7585  |              |       | 576          | 2.2   | 3.2             | 5873  | 446          | 2.9   | 4.7          | 3964  | 301             | 4.3   | 5.2          | 3582  | 272          | 4.7   | 6.1          | 3042  | 231          | 5.6   | 7.2          | 2581  | 196          | 6.6   | 1.31         | 14288 | 1085         | 0.79  | 1.52         | 12339 | 937          | 0.91  | 1.72            | 10890 | 827          | 1.04  | 1.94            | 9652  | 733             | 1.17  | <b>F 127R77</b> |       |                 |       |                 |       | <b>F 127R77</b> |       |                 |       |                 |       |                 |       |                 |       |                 |       |                 |       |                 |       |                 |       |                 |       |                 |       |                 |       |                 |       |                 |       |                 |       |                 |       |                 |       |                 |       |                 |       |                 |       |                 |       |                 |       |                 |       |                 |       |                 |       |                 |       |                 |       |                 |       |                 |       |                 |       |                 |       |                 |       |                 |       |                 |       |                 |       |                 |       |                 |       |                 |       |                 |       |                 |       |                 |       |                 |       |                 |       |                 |       |                 |       |                 |       |                 |       |                 |       |                 |       |                 |       |                 |       |                 |       |                 |       |                 |       |                 |       |                 |       |                 |       |                 |       |                 |       |                 |       |                 |       |                 |       |                 |       |                 |       |                 |       |                 |       |                 |       |                 |       |                 |       |                 |       |                 |       |                 |       |                 |       |                 |       |                 |       |                 |       |                 |       |                 |       |                 |       |                 |       |                 |       |                 |       |                 |       |                 |       |                 |       |                 |       |                 |       |                 |       |                 |       |                 |       |                 |       |                 |       |                 |       |                 |       |                 |       |                 |       |                 |       |                 |       |                 |       |                 |       |                 |       |                 |       |                 |       |                 |       |                 |       |                 |       |                 |       |                 |       |                 |       |                 |       |                 |       |                 |       |                 |       |                 |       |                 |       |                 |       |                 |       |                 |       |                 |       |                 |       |                 |       |                 |       |                 |       |                 |       |                 |       |                 |       |                 |       |                 |       |                 |       |                 |       |                 |       |                 |       |                 |       |                 |       |                 |      |                 |       |                 |       |                 |       |                 |       |                 |       |                 |       |                 |       |                 |       |                 |       |                 |       |                 |       |                 |       |                 |       |                 |       |                 |       |                 |       |                 |       |                 |       |                 |       |                 |       |                 |       |                 |       |                 |       |                 |       |                 |       |                 |       |                 |       |                 |       |                 |       |                 |       |                 |       |                 |       |                 |       |                 |       |                 |       |                 |       |                 |       |                 |       |                 |      |                 |      |                 |      |                 |  |                 |  |                 |  |                 |  |  |  |  |  |  |  |  |  |  |  |  |  |  |  |  |  |
| 329             | 41         | 4.26     | 2.5                    | 367             | 37      | 3.81            | 2.7        | <b>2.2kW</b> |                        |                 |         |              |      | <b>2.2kW</b>    |       |                 |       |                 |       | 1.00            | 18699 | 1420         | 0.90  | F 157R97        | 4     | 1.00            | 18699 |              |       | 1420         | 0.90  |                 |       | 1.09         | 17224 |              |       | 1308            | 0.98  |              |       | 1.21         | 15394 |                 |       | 1169         | 1.10  |              |       | 1.49            | 12549 |              |       | 953          | 1.35  |                 |       | 1.68         | 11127 |              |       | 845             | 1.52  |              |       | 1.86         | 10061 |                 |       | 764          | 1.68  |              |       | 2.1             | 8954  |              |       | 680          | 1.89  |                 |       | 2.5          | 7585  |              |       | 576             | 2.2   | 3.2          | 5873  | 446          | 2.9   | 4.7             | 3964  | 301          | 4.3   | 5.2          | 3582  | 272             | 4.7   | 6.1          | 3042  | 231          | 5.6   | 7.2          | 2581  | 196          | 6.6   | 1.31         | 14288 | 1085         | 0.79  | 1.52         | 12339 | 937          | 0.91  | 1.72         | 10890 | 827          | 1.04  | 1.94            | 9652  | 733          | 1.17  | <b>F 127R77</b> |       |                 |       |                 |       | <b>F 127R77</b> |       |                 |       |                 |       |                 |       |                 |       |                 |       |                 |       |                 |       |                 |       |                 |       |                 |       |                 |       |                 |       |                 |       |                 |       |                 |       |                 |       |                 |       |                 |       |                 |       |                 |       |                 |       |                 |       |                 |       |                 |       |                 |       |                 |       |                 |       |                 |       |                 |       |                 |       |                 |       |                 |       |                 |       |                 |       |                 |       |                 |       |                 |       |                 |       |                 |       |                 |       |                 |       |                 |       |                 |       |                 |       |                 |       |                 |       |                 |       |                 |       |                 |       |                 |       |                 |       |                 |       |                 |       |                 |       |                 |       |                 |       |                 |       |                 |       |                 |       |                 |       |                 |       |                 |       |                 |       |                 |       |                 |       |                 |       |                 |       |                 |       |                 |       |                 |       |                 |       |                 |       |                 |       |                 |       |                 |       |                 |       |                 |       |                 |       |                 |       |                 |       |                 |       |                 |       |                 |       |                 |       |                 |       |                 |       |                 |       |                 |       |                 |       |                 |       |                 |       |                 |       |                 |       |                 |       |                 |       |                 |       |                 |       |                 |       |                 |       |                 |       |                 |       |                 |       |                 |       |                 |       |                 |       |                 |       |                 |       |                 |       |                 |       |                 |       |                 |       |                 |       |                 |       |                 |       |                 |       |                 |       |                 |       |                 |       |                 |       |                 |       |                 |       |                 |       |                 |       |                 |       |                 |       |                 |       |                 |       |                 |       |                 |       |                 |       |                 |       |                 |       |                 |       |                 |       |                 |       |                 |      |                 |       |                 |       |                 |       |                 |       |                 |       |                 |       |                 |       |                 |       |                 |       |                 |       |                 |       |                 |       |                 |       |                 |       |                 |       |                 |       |                 |       |                 |       |                 |       |                 |       |                 |       |                 |       |                 |       |                 |       |                 |       |                 |       |                 |       |                 |       |                 |       |                 |       |                 |       |                 |       |                 |       |                 |       |                 |       |                 |       |                 |       |                 |       |                 |      |                 |      |                 |      |                 |  |                 |  |                 |  |                 |  |  |  |  |  |  |  |  |  |  |  |  |  |  |  |  |  |
| 367             | 37         | 3.81     | 2.7                    | <b>2.2kW</b>    |         |                 |            |              |                        | <b>2.2kW</b>    |         |              |      |                 |       | 1.00            | 18699 | 1420            | 0.90  | F 157R97        | 4     | 1.00         | 18699 |                 |       | 1420            | 0.90  |              |       | 1.09         | 17224 |                 |       | 1308         | 0.98  |              |       | 1.21            | 15394 |              |       | 1169         | 1.10  |                 |       | 1.49         | 12549 |              |       | 953             | 1.35  |              |       | 1.68         | 11127 |                 |       | 845          | 1.52  |              |       | 1.86            | 10061 |              |       | 764          | 1.68  |                 |       | 2.1          | 8954  |              |       | 680             | 1.89  |              |       | 2.5          | 7585  |                 |       | 576          | 2.2   | 3.2          | 5873  | 446             | 2.9   | 4.7          | 3964  | 301          | 4.3   | 5.2             | 3582  | 272          | 4.7   | 6.1          | 3042  | 231             | 5.6   | 7.2          | 2581  | 196          | 6.6   | 1.31         | 14288 | 1085         | 0.79  | 1.52         | 12339 | 937          | 0.91  | 1.72         | 10890 | 827          | 1.04  | 1.94         | 9652  | 733          | 1.17  | <b>F 127R77</b> |       |              |       |                 |       | <b>F 127R77</b> |       |                 |       |                 |       |                 |       |                 |       |                 |       |                 |       |                 |       |                 |       |                 |       |                 |       |                 |       |                 |       |                 |       |                 |       |                 |       |                 |       |                 |       |                 |       |                 |       |                 |       |                 |       |                 |       |                 |       |                 |       |                 |       |                 |       |                 |       |                 |       |                 |       |                 |       |                 |       |                 |       |                 |       |                 |       |                 |       |                 |       |                 |       |                 |       |                 |       |                 |       |                 |       |                 |       |                 |       |                 |       |                 |       |                 |       |                 |       |                 |       |                 |       |                 |       |                 |       |                 |       |                 |       |                 |       |                 |       |                 |       |                 |       |                 |       |                 |       |                 |       |                 |       |                 |       |                 |       |                 |       |                 |       |                 |       |                 |       |                 |       |                 |       |                 |       |                 |       |                 |       |                 |       |                 |       |                 |       |                 |       |                 |       |                 |       |                 |       |                 |       |                 |       |                 |       |                 |       |                 |       |                 |       |                 |       |                 |       |                 |       |                 |       |                 |       |                 |       |                 |       |                 |       |                 |       |                 |       |                 |       |                 |       |                 |       |                 |       |                 |       |                 |       |                 |       |                 |       |                 |       |                 |       |                 |       |                 |       |                 |       |                 |       |                 |       |                 |       |                 |       |                 |       |                 |       |                 |       |                 |       |                 |       |                 |       |                 |       |                 |       |                 |       |                 |       |                 |       |                 |       |                 |       |                 |       |                 |       |                 |       |                 |       |                 |       |                 |       |                 |       |                 |       |                 |       |                 |       |                 |       |                 |       |                 |      |                 |       |                 |       |                 |       |                 |       |                 |       |                 |       |                 |       |                 |       |                 |       |                 |       |                 |       |                 |       |                 |       |                 |       |                 |       |                 |       |                 |       |                 |       |                 |       |                 |       |                 |       |                 |       |                 |       |                 |       |                 |       |                 |       |                 |       |                 |       |                 |       |                 |       |                 |       |                 |       |                 |       |                 |       |                 |       |                 |       |                 |       |                 |       |                 |      |                 |      |                 |      |                 |  |                 |  |                 |  |                 |  |  |  |  |  |  |  |  |  |  |  |  |  |  |  |  |  |
| <b>2.2kW</b>    |            |          |                        |                 |         | <b>2.2kW</b>    |            |              |                        |                 |         |              |      |                 |       |                 |       |                 |       |                 |       |              |       |                 |       |                 |       |              |       |              |       |                 |       |              |       |              |       |                 |       |              |       |              |       |                 |       |              |       |              |       |                 |       |              |       |              |       |                 |       |              |       |              |       |                 |       |              |       |              |       |                 |       |              |       |              |       |                 |       |              |       |              |       |                 |       |              |       |              |       |                 |       |              |       |              |       |                 |       |              |       |              |       |                 |       |              |       |              |       |              |       |              |       |              |       |              |       |              |       |              |       |              |       |              |       |                 |       |              |       |                 |       |                 |       |                 |       |                 |       |                 |       |                 |       |                 |       |                 |       |                 |       |                 |       |                 |       |                 |       |                 |       |                 |       |                 |       |                 |       |                 |       |                 |       |                 |       |                 |       |                 |       |                 |       |                 |       |                 |       |                 |       |                 |       |                 |       |                 |       |                 |       |                 |       |                 |       |                 |       |                 |       |                 |       |                 |       |                 |       |                 |       |                 |       |                 |       |                 |       |                 |       |                 |       |                 |       |                 |       |                 |       |                 |       |                 |       |                 |       |                 |       |                 |       |                 |       |                 |       |                 |       |                 |       |                 |       |                 |       |                 |       |                 |       |                 |       |                 |       |                 |       |                 |       |                 |       |                 |       |                 |       |                 |       |                 |       |                 |       |                 |       |                 |       |                 |       |                 |       |                 |       |                 |       |                 |       |                 |       |                 |       |                 |       |                 |       |                 |       |                 |       |                 |       |                 |       |                 |       |                 |       |                 |       |                 |       |                 |       |                 |       |                 |       |                 |       |                 |       |                 |       |                 |       |                 |       |                 |       |                 |       |                 |       |                 |       |                 |       |                 |       |                 |       |                 |       |                 |       |                 |       |                 |       |                 |       |                 |       |                 |       |                 |       |                 |       |                 |       |                 |       |                 |       |                 |       |                 |       |                 |       |                 |       |                 |       |                 |       |                 |       |                 |       |                 |       |                 |       |                 |       |                 |       |                 |       |                 |       |                 |       |                 |       |                 |       |                 |       |                 |       |                 |       |                 |       |                 |       |                 |       |                 |       |                 |       |                 |      |                 |       |                 |       |                 |       |                 |       |                 |       |                 |       |                 |       |                 |       |                 |       |                 |       |                 |       |                 |       |                 |       |                 |       |                 |       |                 |       |                 |       |                 |       |                 |       |                 |       |                 |       |                 |       |                 |       |                 |       |                 |       |                 |       |                 |       |                 |       |                 |       |                 |       |                 |       |                 |       |                 |       |                 |       |                 |       |                 |       |                 |       |                 |       |                 |      |                 |      |                 |      |                 |  |                 |  |                 |  |                 |  |  |  |  |  |  |  |  |  |  |  |  |  |  |  |  |  |
| 1.00            | 18699      | 1420     | 0.90                   | F 157R97        | 4       | 1.00            | 18699      | 1420         | 0.90                   |                 |         |              |      |                 |       |                 |       |                 |       |                 |       |              |       |                 |       |                 |       |              |       |              |       |                 |       |              |       |              |       |                 |       |              |       |              |       |                 |       |              |       |              |       |                 |       |              |       |              |       |                 |       |              |       |              |       |                 |       |              |       |              |       |                 |       |              |       |              |       |                 |       |              |       |              |       |                 |       |              |       |              |       |                 |       |              |       |              |       |                 |       |              |       |              |       |                 |       |              |       |              |       |              |       |              |       |              |       |              |       |              |       |              |       |              |       |              |       |                 |       |              |       |                 |       |                 |       |                 |       |                 |       |                 |       |                 |       |                 |       |                 |       |                 |       |                 |       |                 |       |                 |       |                 |       |                 |       |                 |       |                 |       |                 |       |                 |       |                 |       |                 |       |                 |       |                 |       |                 |       |                 |       |                 |       |                 |       |                 |       |                 |       |                 |       |                 |       |                 |       |                 |       |                 |       |                 |       |                 |       |                 |       |                 |       |                 |       |                 |       |                 |       |                 |       |                 |       |                 |       |                 |       |                 |       |                 |       |                 |       |                 |       |                 |       |                 |       |                 |       |                 |       |                 |       |                 |       |                 |       |                 |       |                 |       |                 |       |                 |       |                 |       |                 |       |                 |       |                 |       |                 |       |                 |       |                 |       |                 |       |                 |       |                 |       |                 |       |                 |       |                 |       |                 |       |                 |       |                 |       |                 |       |                 |       |                 |       |                 |       |                 |       |                 |       |                 |       |                 |       |                 |       |                 |       |                 |       |                 |       |                 |       |                 |       |                 |       |                 |       |                 |       |                 |       |                 |       |                 |       |                 |       |                 |       |                 |       |                 |       |                 |       |                 |       |                 |       |                 |       |                 |       |                 |       |                 |       |                 |       |                 |       |                 |       |                 |       |                 |       |                 |       |                 |       |                 |       |                 |       |                 |       |                 |       |                 |       |                 |       |                 |       |                 |       |                 |       |                 |       |                 |       |                 |       |                 |       |                 |       |                 |       |                 |       |                 |       |                 |       |                 |       |                 |       |                 |       |                 |       |                 |       |                 |       |                 |       |                 |       |                 |      |                 |       |                 |       |                 |       |                 |       |                 |       |                 |       |                 |       |                 |       |                 |       |                 |       |                 |       |                 |       |                 |       |                 |       |                 |       |                 |       |                 |       |                 |       |                 |       |                 |       |                 |       |                 |       |                 |       |                 |       |                 |       |                 |       |                 |       |                 |       |                 |       |                 |       |                 |       |                 |       |                 |       |                 |       |                 |       |                 |       |                 |       |                 |       |                 |      |                 |      |                 |      |                 |  |                 |  |                 |  |                 |  |  |  |  |  |  |  |  |  |  |  |  |  |  |  |  |  |
| 1.09            | 17224      | 1308     | 0.98                   |                 |         | 1.21            | 15394      | 1169         | 1.10                   | 1.49            | 12549   | 953          | 1.35 | 1.68            | 11127 | 845             | 1.52  | 1.86            | 10061 |                 |       | 764          | 1.68  |                 |       | 2.1             | 8954  |              |       | 680          | 1.89  |                 |       | 2.5          | 7585  |              |       | 576             | 2.2   |              |       | 3.2          | 5873  |                 |       | 446          | 2.9   |              |       | 4.7             | 3964  |              |       | 301          | 4.3   |                 |       | 5.2          | 3582  |              |       | 272             | 4.7   |              |       | 6.1          | 3042  |                 |       | 231          | 5.6   | 7.2          | 2581  | 196             | 6.6   | 1.31         | 14288 | 1085         | 0.79  | 1.52            | 12339 | 937          | 0.91  | 1.72         | 10890 | 827             | 1.04  | 1.94         | 9652  | 733          | 1.17  | <b>F 127R77</b> |       |              |       |              |       | <b>F 127R77</b> |       |              |       |              |       |              |       |              |       |              |       |              |       |              |       |              |       |              |       |              |       |                 |       |              |       |                 |       |                 |       |                 |       |                 |       |                 |       |                 |       |                 |       |                 |       |                 |       |                 |       |                 |       |                 |       |                 |       |                 |       |                 |       |                 |       |                 |       |                 |       |                 |       |                 |       |                 |       |                 |       |                 |       |                 |       |                 |       |                 |       |                 |       |                 |       |                 |       |                 |       |                 |       |                 |       |                 |       |                 |       |                 |       |                 |       |                 |       |                 |       |                 |       |                 |       |                 |       |                 |       |                 |       |                 |       |                 |       |                 |       |                 |       |                 |       |                 |       |                 |       |                 |       |                 |       |                 |       |                 |       |                 |       |                 |       |                 |       |                 |       |                 |       |                 |       |                 |       |                 |       |                 |       |                 |       |                 |       |                 |       |                 |       |                 |       |                 |       |                 |       |                 |       |                 |       |                 |       |                 |       |                 |       |                 |       |                 |       |                 |       |                 |       |                 |       |                 |       |                 |       |                 |       |                 |       |                 |       |                 |       |                 |       |                 |       |                 |       |                 |       |                 |       |                 |       |                 |       |                 |       |                 |       |                 |       |                 |       |                 |       |                 |       |                 |       |                 |       |                 |       |                 |       |                 |       |                 |       |                 |       |                 |       |                 |       |                 |       |                 |       |                 |       |                 |       |                 |       |                 |       |                 |       |                 |       |                 |       |                 |       |                 |       |                 |       |                 |       |                 |       |                 |       |                 |       |                 |       |                 |       |                 |       |                 |       |                 |       |                 |       |                 |       |                 |       |                 |       |                 |       |                 |       |                 |       |                 |       |                 |       |                 |       |                 |      |                 |       |                 |       |                 |       |                 |       |                 |       |                 |       |                 |       |                 |       |                 |       |                 |       |                 |       |                 |       |                 |       |                 |       |                 |       |                 |       |                 |       |                 |       |                 |       |                 |       |                 |       |                 |       |                 |       |                 |       |                 |       |                 |       |                 |       |                 |       |                 |       |                 |       |                 |       |                 |       |                 |       |                 |       |                 |       |                 |       |                 |       |                 |       |                 |      |                 |      |                 |      |                 |  |                 |  |                 |  |                 |  |  |  |  |  |  |  |  |  |  |  |  |  |  |  |  |  |
| 1.21            | 15394      | 1169     | 1.10                   |                 |         | 1.49            | 12549      | 953          | 1.35                   | 1.68            | 11127   | 845          | 1.52 | 1.86            | 10061 | 764             | 1.68  | 2.1             | 8954  |                 |       | 680          | 1.89  |                 |       | 2.5             | 7585  |              |       | 576          | 2.2   |                 |       | 3.2          | 5873  |              |       | 446             | 2.9   |              |       | 4.7          | 3964  |                 |       | 301          | 4.3   |              |       | 5.2             | 3582  |              |       | 272          | 4.7   |                 |       | 6.1          | 3042  |              |       | 231             | 5.6   |              |       | 7.2          | 2581  | 196             | 6.6   | 1.31         | 14288 | 1085         | 0.79  | 1.52            | 12339 | 937          | 0.91  | 1.72         | 10890 | 827             | 1.04  | 1.94         | 9652  | 733          | 1.17  | <b>F 127R77</b> |       |              |       |              |       | <b>F 127R77</b> |       |              |       |              |       |                 |       |              |       |              |       |              |       |              |       |              |       |              |       |              |       |              |       |              |       |              |       |                 |       |              |       |                 |       |                 |       |                 |       |                 |       |                 |       |                 |       |                 |       |                 |       |                 |       |                 |       |                 |       |                 |       |                 |       |                 |       |                 |       |                 |       |                 |       |                 |       |                 |       |                 |       |                 |       |                 |       |                 |       |                 |       |                 |       |                 |       |                 |       |                 |       |                 |       |                 |       |                 |       |                 |       |                 |       |                 |       |                 |       |                 |       |                 |       |                 |       |                 |       |                 |       |                 |       |                 |       |                 |       |                 |       |                 |       |                 |       |                 |       |                 |       |                 |       |                 |       |                 |       |                 |       |                 |       |                 |       |                 |       |                 |       |                 |       |                 |       |                 |       |                 |       |                 |       |                 |       |                 |       |                 |       |                 |       |                 |       |                 |       |                 |       |                 |       |                 |       |                 |       |                 |       |                 |       |                 |       |                 |       |                 |       |                 |       |                 |       |                 |       |                 |       |                 |       |                 |       |                 |       |                 |       |                 |       |                 |       |                 |       |                 |       |                 |       |                 |       |                 |       |                 |       |                 |       |                 |       |                 |       |                 |       |                 |       |                 |       |                 |       |                 |       |                 |       |                 |       |                 |       |                 |       |                 |       |                 |       |                 |       |                 |       |                 |       |                 |       |                 |       |                 |       |                 |       |                 |       |                 |       |                 |       |                 |       |                 |       |                 |       |                 |       |                 |       |                 |       |                 |       |                 |       |                 |       |                 |       |                 |       |                 |       |                 |       |                 |       |                 |       |                 |       |                 |       |                 |       |                 |       |                 |       |                 |       |                 |       |                 |       |                 |      |                 |       |                 |       |                 |       |                 |       |                 |       |                 |       |                 |       |                 |       |                 |       |                 |       |                 |       |                 |       |                 |       |                 |       |                 |       |                 |       |                 |       |                 |       |                 |       |                 |       |                 |       |                 |       |                 |       |                 |       |                 |       |                 |       |                 |       |                 |       |                 |       |                 |       |                 |       |                 |       |                 |       |                 |       |                 |       |                 |       |                 |       |                 |       |                 |      |                 |      |                 |      |                 |  |                 |  |                 |  |                 |  |  |  |  |  |  |  |  |  |  |  |  |  |  |  |  |  |
| 1.49            | 12549      | 953      | 1.35                   |                 |         | 1.68            | 11127      | 845          | 1.52                   | 1.86            | 10061   | 764          | 1.68 | 2.1             | 8954  | 680             | 1.89  | 2.5             | 7585  |                 |       | 576          | 2.2   |                 |       | 3.2             | 5873  |              |       | 446          | 2.9   |                 |       | 4.7          | 3964  |              |       | 301             | 4.3   |              |       | 5.2          | 3582  |                 |       | 272          | 4.7   |              |       | 6.1             | 3042  |              |       | 231          | 5.6   |                 |       | 7.2          | 2581  |              |       | 196             | 6.6   | 1.31         | 14288 | 1085         | 0.79  | 1.52            | 12339 | 937          | 0.91  | 1.72         | 10890 | 827             | 1.04  | 1.94         | 9652  | 733          | 1.17  | <b>F 127R77</b> |       |              |       |              |       | <b>F 127R77</b> |       |              |       |              |       |                 |       |              |       |              |       |                 |       |              |       |              |       |              |       |              |       |              |       |              |       |              |       |              |       |              |       |              |       |                 |       |              |       |                 |       |                 |       |                 |       |                 |       |                 |       |                 |       |                 |       |                 |       |                 |       |                 |       |                 |       |                 |       |                 |       |                 |       |                 |       |                 |       |                 |       |                 |       |                 |       |                 |       |                 |       |                 |       |                 |       |                 |       |                 |       |                 |       |                 |       |                 |       |                 |       |                 |       |                 |       |                 |       |                 |       |                 |       |                 |       |                 |       |                 |       |                 |       |                 |       |                 |       |                 |       |                 |       |                 |       |                 |       |                 |       |                 |       |                 |       |                 |       |                 |       |                 |       |                 |       |                 |       |                 |       |                 |       |                 |       |                 |       |                 |       |                 |       |                 |       |                 |       |                 |       |                 |       |                 |       |                 |       |                 |       |                 |       |                 |       |                 |       |                 |       |                 |       |                 |       |                 |       |                 |       |                 |       |                 |       |                 |       |                 |       |                 |       |                 |       |                 |       |                 |       |                 |       |                 |       |                 |       |                 |       |                 |       |                 |       |                 |       |                 |       |                 |       |                 |       |                 |       |                 |       |                 |       |                 |       |                 |       |                 |       |                 |       |                 |       |                 |       |                 |       |                 |       |                 |       |                 |       |                 |       |                 |       |                 |       |                 |       |                 |       |                 |       |                 |       |                 |       |                 |       |                 |       |                 |       |                 |       |                 |       |                 |       |                 |       |                 |       |                 |       |                 |       |                 |       |                 |       |                 |       |                 |       |                 |       |                 |       |                 |       |                 |       |                 |       |                 |       |                 |       |                 |       |                 |       |                 |       |                 |       |                 |       |                 |       |                 |      |                 |       |                 |       |                 |       |                 |       |                 |       |                 |       |                 |       |                 |       |                 |       |                 |       |                 |       |                 |       |                 |       |                 |       |                 |       |                 |       |                 |       |                 |       |                 |       |                 |       |                 |       |                 |       |                 |       |                 |       |                 |       |                 |       |                 |       |                 |       |                 |       |                 |       |                 |       |                 |       |                 |       |                 |       |                 |       |                 |       |                 |       |                 |       |                 |      |                 |      |                 |      |                 |  |                 |  |                 |  |                 |  |  |  |  |  |  |  |  |  |  |  |  |  |  |  |  |  |
| 1.68            | 11127      | 845      | 1.52                   |                 |         | 1.86            | 10061      | 764          | 1.68                   | 2.1             | 8954    | 680          | 1.89 | 2.5             | 7585  | 576             | 2.2   | 3.2             | 5873  |                 |       | 446          | 2.9   |                 |       | 4.7             | 3964  |              |       | 301          | 4.3   |                 |       | 5.2          | 3582  |              |       | 272             | 4.7   |              |       | 6.1          | 3042  |                 |       | 231          | 5.6   |              |       | 7.2             | 2581  |              |       | 196          | 6.6   |                 |       | 1.31         | 14288 | 1085         | 0.79  | 1.52            | 12339 | 937          | 0.91  | 1.72         | 10890 | 827             | 1.04  | 1.94         | 9652  | 733          | 1.17  | <b>F 127R77</b> |       |              |       |              |       | <b>F 127R77</b> |       |              |       |              |       |                 |       |              |       |              |       |                 |       |              |       |              |       |                 |       |              |       |              |       |              |       |              |       |              |       |              |       |              |       |              |       |              |       |              |       |                 |       |              |       |                 |       |                 |       |                 |       |                 |       |                 |       |                 |       |                 |       |                 |       |                 |       |                 |       |                 |       |                 |       |                 |       |                 |       |                 |       |                 |       |                 |       |                 |       |                 |       |                 |       |                 |       |                 |       |                 |       |                 |       |                 |       |                 |       |                 |       |                 |       |                 |       |                 |       |                 |       |                 |       |                 |       |                 |       |                 |       |                 |       |                 |       |                 |       |                 |       |                 |       |                 |       |                 |       |                 |       |                 |       |                 |       |                 |       |                 |       |                 |       |                 |       |                 |       |                 |       |                 |       |                 |       |                 |       |                 |       |                 |       |                 |       |                 |       |                 |       |                 |       |                 |       |                 |       |                 |       |                 |       |                 |       |                 |       |                 |       |                 |       |                 |       |                 |       |                 |       |                 |       |                 |       |                 |       |                 |       |                 |       |                 |       |                 |       |                 |       |                 |       |                 |       |                 |       |                 |       |                 |       |                 |       |                 |       |                 |       |                 |       |                 |       |                 |       |                 |       |                 |       |                 |       |                 |       |                 |       |                 |       |                 |       |                 |       |                 |       |                 |       |                 |       |                 |       |                 |       |                 |       |                 |       |                 |       |                 |       |                 |       |                 |       |                 |       |                 |       |                 |       |                 |       |                 |       |                 |       |                 |       |                 |       |                 |       |                 |       |                 |       |                 |       |                 |       |                 |       |                 |       |                 |       |                 |       |                 |       |                 |       |                 |       |                 |       |                 |       |                 |       |                 |       |                 |       |                 |       |                 |       |                 |       |                 |       |                 |       |                 |      |                 |       |                 |       |                 |       |                 |       |                 |       |                 |       |                 |       |                 |       |                 |       |                 |       |                 |       |                 |       |                 |       |                 |       |                 |       |                 |       |                 |       |                 |       |                 |       |                 |       |                 |       |                 |       |                 |       |                 |       |                 |       |                 |       |                 |       |                 |       |                 |       |                 |       |                 |       |                 |       |                 |       |                 |       |                 |       |                 |       |                 |       |                 |       |                 |      |                 |      |                 |      |                 |  |                 |  |                 |  |                 |  |  |  |  |  |  |  |  |  |  |  |  |  |  |  |  |  |
| 1.86            | 10061      | 764      | 1.68                   |                 |         | 2.1             | 8954       | 680          | 1.89                   | 2.5             | 7585    | 576          | 2.2  | 3.2             | 5873  | 446             | 2.9   | 4.7             | 3964  |                 |       | 301          | 4.3   |                 |       | 5.2             | 3582  |              |       | 272          | 4.7   |                 |       | 6.1          | 3042  |              |       | 231             | 5.6   |              |       | 7.2          | 2581  |                 |       | 196          | 6.6   |              |       | 1.31            | 14288 |              |       | 1085         | 0.79  | 1.52            | 12339 | 937          | 0.91  | 1.72         | 10890 | 827             | 1.04  | 1.94         | 9652  | 733          | 1.17  | <b>F 127R77</b> |       |              |       |              |       | <b>F 127R77</b> |       |              |       |              |       |                 |       |              |       |              |       |                 |       |              |       |              |       |                 |       |              |       |              |       |                 |       |              |       |              |       |              |       |              |       |              |       |              |       |              |       |              |       |              |       |              |       |                 |       |              |       |                 |       |                 |       |                 |       |                 |       |                 |       |                 |       |                 |       |                 |       |                 |       |                 |       |                 |       |                 |       |                 |       |                 |       |                 |       |                 |       |                 |       |                 |       |                 |       |                 |       |                 |       |                 |       |                 |       |                 |       |                 |       |                 |       |                 |       |                 |       |                 |       |                 |       |                 |       |                 |       |                 |       |                 |       |                 |       |                 |       |                 |       |                 |       |                 |       |                 |       |                 |       |                 |       |                 |       |                 |       |                 |       |                 |       |                 |       |                 |       |                 |       |                 |       |                 |       |                 |       |                 |       |                 |       |                 |       |                 |       |                 |       |                 |       |                 |       |                 |       |                 |       |                 |       |                 |       |                 |       |                 |       |                 |       |                 |       |                 |       |                 |       |                 |       |                 |       |                 |       |                 |       |                 |       |                 |       |                 |       |                 |       |                 |       |                 |       |                 |       |                 |       |                 |       |                 |       |                 |       |                 |       |                 |       |                 |       |                 |       |                 |       |                 |       |                 |       |                 |       |                 |       |                 |       |                 |       |                 |       |                 |       |                 |       |                 |       |                 |       |                 |       |                 |       |                 |       |                 |       |                 |       |                 |       |                 |       |                 |       |                 |       |                 |       |                 |       |                 |       |                 |       |                 |       |                 |       |                 |       |                 |       |                 |       |                 |       |                 |       |                 |       |                 |       |                 |       |                 |       |                 |       |                 |       |                 |       |                 |       |                 |       |                 |       |                 |       |                 |       |                 |       |                 |       |                 |       |                 |       |                 |       |                 |       |                 |       |                 |      |                 |       |                 |       |                 |       |                 |       |                 |       |                 |       |                 |       |                 |       |                 |       |                 |       |                 |       |                 |       |                 |       |                 |       |                 |       |                 |       |                 |       |                 |       |                 |       |                 |       |                 |       |                 |       |                 |       |                 |       |                 |       |                 |       |                 |       |                 |       |                 |       |                 |       |                 |       |                 |       |                 |       |                 |       |                 |       |                 |       |                 |       |                 |       |                 |      |                 |      |                 |      |                 |  |                 |  |                 |  |                 |  |  |  |  |  |  |  |  |  |  |  |  |  |  |  |  |  |
| 2.1             | 8954       | 680      | 1.89                   |                 |         | 2.5             | 7585       | 576          | 2.2                    | 3.2             | 5873    | 446          | 2.9  | 4.7             | 3964  | 301             | 4.3   | 5.2             | 3582  |                 |       | 272          | 4.7   |                 |       | 6.1             | 3042  |              |       | 231          | 5.6   |                 |       | 7.2          | 2581  |              |       | 196             | 6.6   |              |       | 1.31         | 14288 |                 |       | 1085         | 0.79  |              |       | 1.52            | 12339 | 937          | 0.91  | 1.72         | 10890 | 827             | 1.04  | 1.94         | 9652  | 733          | 1.17  | <b>F 127R77</b> |       |              |       |              |       | <b>F 127R77</b> |       |              |       |              |       |                 |       |              |       |              |       |                 |       |              |       |              |       |                 |       |              |       |              |       |                 |       |              |       |              |       |                 |       |              |       |              |       |              |       |              |       |              |       |              |       |              |       |              |       |              |       |              |       |                 |       |              |       |                 |       |                 |       |                 |       |                 |       |                 |       |                 |       |                 |       |                 |       |                 |       |                 |       |                 |       |                 |       |                 |       |                 |       |                 |       |                 |       |                 |       |                 |       |                 |       |                 |       |                 |       |                 |       |                 |       |                 |       |                 |       |                 |       |                 |       |                 |       |                 |       |                 |       |                 |       |                 |       |                 |       |                 |       |                 |       |                 |       |                 |       |                 |       |                 |       |                 |       |                 |       |                 |       |                 |       |                 |       |                 |       |                 |       |                 |       |                 |       |                 |       |                 |       |                 |       |                 |       |                 |       |                 |       |                 |       |                 |       |                 |       |                 |       |                 |       |                 |       |                 |       |                 |       |                 |       |                 |       |                 |       |                 |       |                 |       |                 |       |                 |       |                 |       |                 |       |                 |       |                 |       |                 |       |                 |       |                 |       |                 |       |                 |       |                 |       |                 |       |                 |       |                 |       |                 |       |                 |       |                 |       |                 |       |                 |       |                 |       |                 |       |                 |       |                 |       |                 |       |                 |       |                 |       |                 |       |                 |       |                 |       |                 |       |                 |       |                 |       |                 |       |                 |       |                 |       |                 |       |                 |       |                 |       |                 |       |                 |       |                 |       |                 |       |                 |       |                 |       |                 |       |                 |       |                 |       |                 |       |                 |       |                 |       |                 |       |                 |       |                 |       |                 |       |                 |       |                 |       |                 |       |                 |       |                 |       |                 |       |                 |       |                 |       |                 |       |                 |       |                 |       |                 |       |                 |       |                 |       |                 |       |                 |       |                 |       |                 |      |                 |       |                 |       |                 |       |                 |       |                 |       |                 |       |                 |       |                 |       |                 |       |                 |       |                 |       |                 |       |                 |       |                 |       |                 |       |                 |       |                 |       |                 |       |                 |       |                 |       |                 |       |                 |       |                 |       |                 |       |                 |       |                 |       |                 |       |                 |       |                 |       |                 |       |                 |       |                 |       |                 |       |                 |       |                 |       |                 |       |                 |       |                 |       |                 |      |                 |      |                 |      |                 |  |                 |  |                 |  |                 |  |  |  |  |  |  |  |  |  |  |  |  |  |  |  |  |  |
| 2.5             | 7585       | 576      | 2.2                    |                 |         | 3.2             | 5873       | 446          | 2.9                    | 4.7             | 3964    | 301          | 4.3  | 5.2             | 3582  | 272             | 4.7   | 6.1             | 3042  |                 |       | 231          | 5.6   |                 |       | 7.2             | 2581  |              |       | 196          | 6.6   |                 |       | 1.31         | 14288 |              |       | 1085            | 0.79  |              |       | 1.52         | 12339 |                 |       | 937          | 0.91  | 1.72         | 10890 | 827             | 1.04  | 1.94         | 9652  | 733          | 1.17  | <b>F 127R77</b> |       |              |       |              |       | <b>F 127R77</b> |       |              |       |              |       |                 |       |              |       |              |       |                 |       |              |       |              |       |                 |       |              |       |              |       |                 |       |              |       |              |       |                 |       |              |       |              |       |                 |       |              |       |              |       |              |       |              |       |              |       |              |       |              |       |              |       |              |       |              |       |                 |       |              |       |                 |       |                 |       |                 |       |                 |       |                 |       |                 |       |                 |       |                 |       |                 |       |                 |       |                 |       |                 |       |                 |       |                 |       |                 |       |                 |       |                 |       |                 |       |                 |       |                 |       |                 |       |                 |       |                 |       |                 |       |                 |       |                 |       |                 |       |                 |       |                 |       |                 |       |                 |       |                 |       |                 |       |                 |       |                 |       |                 |       |                 |       |                 |       |                 |       |                 |       |                 |       |                 |       |                 |       |                 |       |                 |       |                 |       |                 |       |                 |       |                 |       |                 |       |                 |       |                 |       |                 |       |                 |       |                 |       |                 |       |                 |       |                 |       |                 |       |                 |       |                 |       |                 |       |                 |       |                 |       |                 |       |                 |       |                 |       |                 |       |                 |       |                 |       |                 |       |                 |       |                 |       |                 |       |                 |       |                 |       |                 |       |                 |       |                 |       |                 |       |                 |       |                 |       |                 |       |                 |       |                 |       |                 |       |                 |       |                 |       |                 |       |                 |       |                 |       |                 |       |                 |       |                 |       |                 |       |                 |       |                 |       |                 |       |                 |       |                 |       |                 |       |                 |       |                 |       |                 |       |                 |       |                 |       |                 |       |                 |       |                 |       |                 |       |                 |       |                 |       |                 |       |                 |       |                 |       |                 |       |                 |       |                 |       |                 |       |                 |       |                 |       |                 |       |                 |       |                 |       |                 |       |                 |       |                 |       |                 |       |                 |       |                 |       |                 |       |                 |       |                 |       |                 |       |                 |       |                 |       |                 |       |                 |       |                 |       |                 |      |                 |       |                 |       |                 |       |                 |       |                 |       |                 |       |                 |       |                 |       |                 |       |                 |       |                 |       |                 |       |                 |       |                 |       |                 |       |                 |       |                 |       |                 |       |                 |       |                 |       |                 |       |                 |       |                 |       |                 |       |                 |       |                 |       |                 |       |                 |       |                 |       |                 |       |                 |       |                 |       |                 |       |                 |       |                 |       |                 |       |                 |       |                 |       |                 |      |                 |      |                 |      |                 |  |                 |  |                 |  |                 |  |  |  |  |  |  |  |  |  |  |  |  |  |  |  |  |  |
| 3.2             | 5873       | 446      | 2.9                    |                 |         | 4.7             | 3964       | 301          | 4.3                    | 5.2             | 3582    | 272          | 4.7  | 6.1             | 3042  | 231             | 5.6   | 7.2             | 2581  |                 |       | 196          | 6.6   |                 |       | 1.31            | 14288 |              |       | 1085         | 0.79  |                 |       | 1.52         | 12339 |              |       | 937             | 0.91  |              |       | 1.72         | 10890 | 827             | 1.04  | 1.94         | 9652  | 733          | 1.17  | <b>F 127R77</b> |       |              |       |              |       | <b>F 127R77</b> |       |              |       |              |       |                 |       |              |       |              |       |                 |       |              |       |              |       |                 |       |              |       |              |       |                 |       |              |       |              |       |                 |       |              |       |              |       |                 |       |              |       |              |       |                 |       |              |       |              |       |              |       |              |       |              |       |              |       |              |       |              |       |              |       |              |       |                 |       |              |       |                 |       |                 |       |                 |       |                 |       |                 |       |                 |       |                 |       |                 |       |                 |       |                 |       |                 |       |                 |       |                 |       |                 |       |                 |       |                 |       |                 |       |                 |       |                 |       |                 |       |                 |       |                 |       |                 |       |                 |       |                 |       |                 |       |                 |       |                 |       |                 |       |                 |       |                 |       |                 |       |                 |       |                 |       |                 |       |                 |       |                 |       |                 |       |                 |       |                 |       |                 |       |                 |       |                 |       |                 |       |                 |       |                 |       |                 |       |                 |       |                 |       |                 |       |                 |       |                 |       |                 |       |                 |       |                 |       |                 |       |                 |       |                 |       |                 |       |                 |       |                 |       |                 |       |                 |       |                 |       |                 |       |                 |       |                 |       |                 |       |                 |       |                 |       |                 |       |                 |       |                 |       |                 |       |                 |       |                 |       |                 |       |                 |       |                 |       |                 |       |                 |       |                 |       |                 |       |                 |       |                 |       |                 |       |                 |       |                 |       |                 |       |                 |       |                 |       |                 |       |                 |       |                 |       |                 |       |                 |       |                 |       |                 |       |                 |       |                 |       |                 |       |                 |       |                 |       |                 |       |                 |       |                 |       |                 |       |                 |       |                 |       |                 |       |                 |       |                 |       |                 |       |                 |       |                 |       |                 |       |                 |       |                 |       |                 |       |                 |       |                 |       |                 |       |                 |       |                 |       |                 |       |                 |       |                 |       |                 |       |                 |       |                 |       |                 |       |                 |       |                 |       |                 |       |                 |       |                 |       |                 |       |                 |       |                 |       |                 |      |                 |       |                 |       |                 |       |                 |       |                 |       |                 |       |                 |       |                 |       |                 |       |                 |       |                 |       |                 |       |                 |       |                 |       |                 |       |                 |       |                 |       |                 |       |                 |       |                 |       |                 |       |                 |       |                 |       |                 |       |                 |       |                 |       |                 |       |                 |       |                 |       |                 |       |                 |       |                 |       |                 |       |                 |       |                 |       |                 |       |                 |       |                 |       |                 |      |                 |      |                 |      |                 |  |                 |  |                 |  |                 |  |  |  |  |  |  |  |  |  |  |  |  |  |  |  |  |  |
| 4.7             | 3964       | 301      | 4.3                    |                 |         | 5.2             | 3582       | 272          | 4.7                    | 6.1             | 3042    | 231          | 5.6  | 7.2             | 2581  | 196             | 6.6   | 1.31            | 14288 |                 |       | 1085         | 0.79  |                 |       | 1.52            | 12339 |              |       | 937          | 0.91  |                 |       | 1.72         | 10890 |              |       | 827             | 1.04  | 1.94         | 9652  | 733          | 1.17  | <b>F 127R77</b> |       |              |       |              |       | <b>F 127R77</b> |       |              |       |              |       |                 |       |              |       |              |       |                 |       |              |       |              |       |                 |       |              |       |              |       |                 |       |              |       |              |       |                 |       |              |       |              |       |                 |       |              |       |              |       |                 |       |              |       |              |       |                 |       |              |       |              |       |              |       |              |       |              |       |              |       |              |       |              |       |              |       |              |       |                 |       |              |       |                 |       |                 |       |                 |       |                 |       |                 |       |                 |       |                 |       |                 |       |                 |       |                 |       |                 |       |                 |       |                 |       |                 |       |                 |       |                 |       |                 |       |                 |       |                 |       |                 |       |                 |       |                 |       |                 |       |                 |       |                 |       |                 |       |                 |       |                 |       |                 |       |                 |       |                 |       |                 |       |                 |       |                 |       |                 |       |                 |       |                 |       |                 |       |                 |       |                 |       |                 |       |                 |       |                 |       |                 |       |                 |       |                 |       |                 |       |                 |       |                 |       |                 |       |                 |       |                 |       |                 |       |                 |       |                 |       |                 |       |                 |       |                 |       |                 |       |                 |       |                 |       |                 |       |                 |       |                 |       |                 |       |                 |       |                 |       |                 |       |                 |       |                 |       |                 |       |                 |       |                 |       |                 |       |                 |       |                 |       |                 |       |                 |       |                 |       |                 |       |                 |       |                 |       |                 |       |                 |       |                 |       |                 |       |                 |       |                 |       |                 |       |                 |       |                 |       |                 |       |                 |       |                 |       |                 |       |                 |       |                 |       |                 |       |                 |       |                 |       |                 |       |                 |       |                 |       |                 |       |                 |       |                 |       |                 |       |                 |       |                 |       |                 |       |                 |       |                 |       |                 |       |                 |       |                 |       |                 |       |                 |       |                 |       |                 |       |                 |       |                 |       |                 |       |                 |       |                 |       |                 |       |                 |       |                 |       |                 |       |                 |       |                 |       |                 |       |                 |       |                 |       |                 |       |                 |       |                 |       |                 |       |                 |       |                 |       |                 |      |                 |       |                 |       |                 |       |                 |       |                 |       |                 |       |                 |       |                 |       |                 |       |                 |       |                 |       |                 |       |                 |       |                 |       |                 |       |                 |       |                 |       |                 |       |                 |       |                 |       |                 |       |                 |       |                 |       |                 |       |                 |       |                 |       |                 |       |                 |       |                 |       |                 |       |                 |       |                 |       |                 |       |                 |       |                 |       |                 |       |                 |       |                 |       |                 |      |                 |      |                 |      |                 |  |                 |  |                 |  |                 |  |  |  |  |  |  |  |  |  |  |  |  |  |  |  |  |  |
| 5.2             | 3582       | 272      | 4.7                    |                 |         | 6.1             | 3042       | 231          | 5.6                    | 7.2             | 2581    | 196          | 6.6  | 1.31            | 14288 | 1085            | 0.79  | 1.52            | 12339 |                 |       | 937          | 0.91  |                 |       | 1.72            | 10890 |              |       | 827          | 1.04  |                 |       | 1.94         | 9652  | 733          | 1.17  | <b>F 127R77</b> |       |              |       |              |       | <b>F 127R77</b> |       |              |       |              |       |                 |       |              |       |              |       |                 |       |              |       |              |       |                 |       |              |       |              |       |                 |       |              |       |              |       |                 |       |              |       |              |       |                 |       |              |       |              |       |                 |       |              |       |              |       |                 |       |              |       |              |       |                 |       |              |       |              |       |              |       |              |       |              |       |              |       |              |       |              |       |              |       |              |       |                 |       |              |       |                 |       |                 |       |                 |       |                 |       |                 |       |                 |       |                 |       |                 |       |                 |       |                 |       |                 |       |                 |       |                 |       |                 |       |                 |       |                 |       |                 |       |                 |       |                 |       |                 |       |                 |       |                 |       |                 |       |                 |       |                 |       |                 |       |                 |       |                 |       |                 |       |                 |       |                 |       |                 |       |                 |       |                 |       |                 |       |                 |       |                 |       |                 |       |                 |       |                 |       |                 |       |                 |       |                 |       |                 |       |                 |       |                 |       |                 |       |                 |       |                 |       |                 |       |                 |       |                 |       |                 |       |                 |       |                 |       |                 |       |                 |       |                 |       |                 |       |                 |       |                 |       |                 |       |                 |       |                 |       |                 |       |                 |       |                 |       |                 |       |                 |       |                 |       |                 |       |                 |       |                 |       |                 |       |                 |       |                 |       |                 |       |                 |       |                 |       |                 |       |                 |       |                 |       |                 |       |                 |       |                 |       |                 |       |                 |       |                 |       |                 |       |                 |       |                 |       |                 |       |                 |       |                 |       |                 |       |                 |       |                 |       |                 |       |                 |       |                 |       |                 |       |                 |       |                 |       |                 |       |                 |       |                 |       |                 |       |                 |       |                 |       |                 |       |                 |       |                 |       |                 |       |                 |       |                 |       |                 |       |                 |       |                 |       |                 |       |                 |       |                 |       |                 |       |                 |       |                 |       |                 |       |                 |       |                 |       |                 |       |                 |       |                 |       |                 |       |                 |       |                 |       |                 |       |                 |       |                 |       |                 |       |                 |       |                 |       |                 |      |                 |       |                 |       |                 |       |                 |       |                 |       |                 |       |                 |       |                 |       |                 |       |                 |       |                 |       |                 |       |                 |       |                 |       |                 |       |                 |       |                 |       |                 |       |                 |       |                 |       |                 |       |                 |       |                 |       |                 |       |                 |       |                 |       |                 |       |                 |       |                 |       |                 |       |                 |       |                 |       |                 |       |                 |       |                 |       |                 |       |                 |       |                 |       |                 |      |                 |      |                 |      |                 |  |                 |  |                 |  |                 |  |  |  |  |  |  |  |  |  |  |  |  |  |  |  |  |  |
| 6.1             | 3042       | 231      | 5.6                    |                 |         | 7.2             | 2581       | 196          | 6.6                    | 1.31            | 14288   | 1085         | 0.79 | 1.52            | 12339 | 937             | 0.91  | 1.72            | 10890 |                 |       | 827          | 1.04  |                 |       | 1.94            | 9652  |              |       | 733          | 1.17  | <b>F 127R77</b> |       |              |       |              |       | <b>F 127R77</b> |       |              |       |              |       |                 |       |              |       |              |       |                 |       |              |       |              |       |                 |       |              |       |              |       |                 |       |              |       |              |       |                 |       |              |       |              |       |                 |       |              |       |              |       |                 |       |              |       |              |       |                 |       |              |       |              |       |                 |       |              |       |              |       |                 |       |              |       |              |       |              |       |              |       |              |       |              |       |              |       |              |       |              |       |              |       |                 |       |              |       |                 |       |                 |       |                 |       |                 |       |                 |       |                 |       |                 |       |                 |       |                 |       |                 |       |                 |       |                 |       |                 |       |                 |       |                 |       |                 |       |                 |       |                 |       |                 |       |                 |       |                 |       |                 |       |                 |       |                 |       |                 |       |                 |       |                 |       |                 |       |                 |       |                 |       |                 |       |                 |       |                 |       |                 |       |                 |       |                 |       |                 |       |                 |       |                 |       |                 |       |                 |       |                 |       |                 |       |                 |       |                 |       |                 |       |                 |       |                 |       |                 |       |                 |       |                 |       |                 |       |                 |       |                 |       |                 |       |                 |       |                 |       |                 |       |                 |       |                 |       |                 |       |                 |       |                 |       |                 |       |                 |       |                 |       |                 |       |                 |       |                 |       |                 |       |                 |       |                 |       |                 |       |                 |       |                 |       |                 |       |                 |       |                 |       |                 |       |                 |       |                 |       |                 |       |                 |       |                 |       |                 |       |                 |       |                 |       |                 |       |                 |       |                 |       |                 |       |                 |       |                 |       |                 |       |                 |       |                 |       |                 |       |                 |       |                 |       |                 |       |                 |       |                 |       |                 |       |                 |       |                 |       |                 |       |                 |       |                 |       |                 |       |                 |       |                 |       |                 |       |                 |       |                 |       |                 |       |                 |       |                 |       |                 |       |                 |       |                 |       |                 |       |                 |       |                 |       |                 |       |                 |       |                 |       |                 |       |                 |       |                 |       |                 |       |                 |       |                 |       |                 |       |                 |       |                 |       |                 |       |                 |       |                 |       |                 |       |                 |      |                 |       |                 |       |                 |       |                 |       |                 |       |                 |       |                 |       |                 |       |                 |       |                 |       |                 |       |                 |       |                 |       |                 |       |                 |       |                 |       |                 |       |                 |       |                 |       |                 |       |                 |       |                 |       |                 |       |                 |       |                 |       |                 |       |                 |       |                 |       |                 |       |                 |       |                 |       |                 |       |                 |       |                 |       |                 |       |                 |       |                 |       |                 |       |                 |      |                 |      |                 |      |                 |  |                 |  |                 |  |                 |  |  |  |  |  |  |  |  |  |  |  |  |  |  |  |  |  |
| 7.2             | 2581       | 196      | 6.6                    |                 |         | 1.31            | 14288      | 1085         | 0.79                   | 1.52            | 12339   | 937          | 0.91 | 1.72            | 10890 | 827             | 1.04  | 1.94            | 9652  |                 |       | 733          | 1.17  |                 |       | <b>F 127R77</b> |       |              |       |              |       | <b>F 127R77</b> |       |              |       |              |       |                 |       |              |       |              |       |                 |       |              |       |              |       |                 |       |              |       |              |       |                 |       |              |       |              |       |                 |       |              |       |              |       |                 |       |              |       |              |       |                 |       |              |       |              |       |                 |       |              |       |              |       |                 |       |              |       |              |       |                 |       |              |       |              |       |                 |       |              |       |              |       |              |       |              |       |              |       |              |       |              |       |              |       |              |       |              |       |                 |       |              |       |                 |       |                 |       |                 |       |                 |       |                 |       |                 |       |                 |       |                 |       |                 |       |                 |       |                 |       |                 |       |                 |       |                 |       |                 |       |                 |       |                 |       |                 |       |                 |       |                 |       |                 |       |                 |       |                 |       |                 |       |                 |       |                 |       |                 |       |                 |       |                 |       |                 |       |                 |       |                 |       |                 |       |                 |       |                 |       |                 |       |                 |       |                 |       |                 |       |                 |       |                 |       |                 |       |                 |       |                 |       |                 |       |                 |       |                 |       |                 |       |                 |       |                 |       |                 |       |                 |       |                 |       |                 |       |                 |       |                 |       |                 |       |                 |       |                 |       |                 |       |                 |       |                 |       |                 |       |                 |       |                 |       |                 |       |                 |       |                 |       |                 |       |                 |       |                 |       |                 |       |                 |       |                 |       |                 |       |                 |       |                 |       |                 |       |                 |       |                 |       |                 |       |                 |       |                 |       |                 |       |                 |       |                 |       |                 |       |                 |       |                 |       |                 |       |                 |       |                 |       |                 |       |                 |       |                 |       |                 |       |                 |       |                 |       |                 |       |                 |       |                 |       |                 |       |                 |       |                 |       |                 |       |                 |       |                 |       |                 |       |                 |       |                 |       |                 |       |                 |       |                 |       |                 |       |                 |       |                 |       |                 |       |                 |       |                 |       |                 |       |                 |       |                 |       |                 |       |                 |       |                 |       |                 |       |                 |       |                 |       |                 |       |                 |       |                 |       |                 |       |                 |       |                 |       |                 |       |                 |       |                 |       |                 |       |                 |       |                 |      |                 |       |                 |       |                 |       |                 |       |                 |       |                 |       |                 |       |                 |       |                 |       |                 |       |                 |       |                 |       |                 |       |                 |       |                 |       |                 |       |                 |       |                 |       |                 |       |                 |       |                 |       |                 |       |                 |       |                 |       |                 |       |                 |       |                 |       |                 |       |                 |       |                 |       |                 |       |                 |       |                 |       |                 |       |                 |       |                 |       |                 |       |                 |       |                 |      |                 |      |                 |      |                 |  |                 |  |                 |  |                 |  |  |  |  |  |  |  |  |  |  |  |  |  |  |  |  |  |
| 1.31            | 14288      | 1085     | 0.79                   |                 |         | 1.52            | 12339      | 937          | 0.91                   | 1.72            | 10890   | 827          | 1.04 | 1.94            | 9652  | 733             | 1.17  | <b>F 127R77</b> |       |                 |       |              |       | <b>F 127R77</b> |       |                 |       |              |       |              |       |                 |       |              |       |              |       |                 |       |              |       |              |       |                 |       |              |       |              |       |                 |       |              |       |              |       |                 |       |              |       |              |       |                 |       |              |       |              |       |                 |       |              |       |              |       |                 |       |              |       |              |       |                 |       |              |       |              |       |                 |       |              |       |              |       |                 |       |              |       |              |       |                 |       |              |       |              |       |              |       |              |       |              |       |              |       |              |       |              |       |              |       |              |       |                 |       |              |       |                 |       |                 |       |                 |       |                 |       |                 |       |                 |       |                 |       |                 |       |                 |       |                 |       |                 |       |                 |       |                 |       |                 |       |                 |       |                 |       |                 |       |                 |       |                 |       |                 |       |                 |       |                 |       |                 |       |                 |       |                 |       |                 |       |                 |       |                 |       |                 |       |                 |       |                 |       |                 |       |                 |       |                 |       |                 |       |                 |       |                 |       |                 |       |                 |       |                 |       |                 |       |                 |       |                 |       |                 |       |                 |       |                 |       |                 |       |                 |       |                 |       |                 |       |                 |       |                 |       |                 |       |                 |       |                 |       |                 |       |                 |       |                 |       |                 |       |                 |       |                 |       |                 |       |                 |       |                 |       |                 |       |                 |       |                 |       |                 |       |                 |       |                 |       |                 |       |                 |       |                 |       |                 |       |                 |       |                 |       |                 |       |                 |       |                 |       |                 |       |                 |       |                 |       |                 |       |                 |       |                 |       |                 |       |                 |       |                 |       |                 |       |                 |       |                 |       |                 |       |                 |       |                 |       |                 |       |                 |       |                 |       |                 |       |                 |       |                 |       |                 |       |                 |       |                 |       |                 |       |                 |       |                 |       |                 |       |                 |       |                 |       |                 |       |                 |       |                 |       |                 |       |                 |       |                 |       |                 |       |                 |       |                 |       |                 |       |                 |       |                 |       |                 |       |                 |       |                 |       |                 |       |                 |       |                 |       |                 |       |                 |       |                 |       |                 |       |                 |       |                 |       |                 |       |                 |       |                 |       |                 |       |                 |       |                 |       |                 |      |                 |       |                 |       |                 |       |                 |       |                 |       |                 |       |                 |       |                 |       |                 |       |                 |       |                 |       |                 |       |                 |       |                 |       |                 |       |                 |       |                 |       |                 |       |                 |       |                 |       |                 |       |                 |       |                 |       |                 |       |                 |       |                 |       |                 |       |                 |       |                 |       |                 |       |                 |       |                 |       |                 |       |                 |       |                 |       |                 |       |                 |       |                 |       |                 |      |                 |      |                 |      |                 |  |                 |  |                 |  |                 |  |  |  |  |  |  |  |  |  |  |  |  |  |  |  |  |  |
| 1.52            | 12339      | 937      | 0.91                   |                 |         | 1.72            | 10890      | 827          | 1.04                   | 1.94            | 9652    | 733          | 1.17 | <b>F 127R77</b> |       |                 |       |                 |       | <b>F 127R77</b> |       |              |       |                 |       |                 |       |              |       |              |       |                 |       |              |       |              |       |                 |       |              |       |              |       |                 |       |              |       |              |       |                 |       |              |       |              |       |                 |       |              |       |              |       |                 |       |              |       |              |       |                 |       |              |       |              |       |                 |       |              |       |              |       |                 |       |              |       |              |       |                 |       |              |       |              |       |                 |       |              |       |              |       |                 |       |              |       |              |       |              |       |              |       |              |       |              |       |              |       |              |       |              |       |              |       |                 |       |              |       |                 |       |                 |       |                 |       |                 |       |                 |       |                 |       |                 |       |                 |       |                 |       |                 |       |                 |       |                 |       |                 |       |                 |       |                 |       |                 |       |                 |       |                 |       |                 |       |                 |       |                 |       |                 |       |                 |       |                 |       |                 |       |                 |       |                 |       |                 |       |                 |       |                 |       |                 |       |                 |       |                 |       |                 |       |                 |       |                 |       |                 |       |                 |       |                 |       |                 |       |                 |       |                 |       |                 |       |                 |       |                 |       |                 |       |                 |       |                 |       |                 |       |                 |       |                 |       |                 |       |                 |       |                 |       |                 |       |                 |       |                 |       |                 |       |                 |       |                 |       |                 |       |                 |       |                 |       |                 |       |                 |       |                 |       |                 |       |                 |       |                 |       |                 |       |                 |       |                 |       |                 |       |                 |       |                 |       |                 |       |                 |       |                 |       |                 |       |                 |       |                 |       |                 |       |                 |       |                 |       |                 |       |                 |       |                 |       |                 |       |                 |       |                 |       |                 |       |                 |       |                 |       |                 |       |                 |       |                 |       |                 |       |                 |       |                 |       |                 |       |                 |       |                 |       |                 |       |                 |       |                 |       |                 |       |                 |       |                 |       |                 |       |                 |       |                 |       |                 |       |                 |       |                 |       |                 |       |                 |       |                 |       |                 |       |                 |       |                 |       |                 |       |                 |       |                 |       |                 |       |                 |       |                 |       |                 |       |                 |       |                 |       |                 |       |                 |       |                 |       |                 |       |                 |       |                 |       |                 |       |                 |       |                 |       |                 |       |                 |      |                 |       |                 |       |                 |       |                 |       |                 |       |                 |       |                 |       |                 |       |                 |       |                 |       |                 |       |                 |       |                 |       |                 |       |                 |       |                 |       |                 |       |                 |       |                 |       |                 |       |                 |       |                 |       |                 |       |                 |       |                 |       |                 |       |                 |       |                 |       |                 |       |                 |       |                 |       |                 |       |                 |       |                 |       |                 |       |                 |       |                 |       |                 |       |                 |      |                 |      |                 |      |                 |  |                 |  |                 |  |                 |  |  |  |  |  |  |  |  |  |  |  |  |  |  |  |  |  |
| 1.72            | 10890      | 827      | 1.04                   |                 |         | 1.94            | 9652       | 733          | 1.17                   | <b>F 127R77</b> |         |              |      |                 |       | <b>F 127R77</b> |       |                 |       |                 |       |              |       |                 |       |                 |       |              |       |              |       |                 |       |              |       |              |       |                 |       |              |       |              |       |                 |       |              |       |              |       |                 |       |              |       |              |       |                 |       |              |       |              |       |                 |       |              |       |              |       |                 |       |              |       |              |       |                 |       |              |       |              |       |                 |       |              |       |              |       |                 |       |              |       |              |       |                 |       |              |       |              |       |                 |       |              |       |              |       |              |       |              |       |              |       |              |       |              |       |              |       |              |       |              |       |                 |       |              |       |                 |       |                 |       |                 |       |                 |       |                 |       |                 |       |                 |       |                 |       |                 |       |                 |       |                 |       |                 |       |                 |       |                 |       |                 |       |                 |       |                 |       |                 |       |                 |       |                 |       |                 |       |                 |       |                 |       |                 |       |                 |       |                 |       |                 |       |                 |       |                 |       |                 |       |                 |       |                 |       |                 |       |                 |       |                 |       |                 |       |                 |       |                 |       |                 |       |                 |       |                 |       |                 |       |                 |       |                 |       |                 |       |                 |       |                 |       |                 |       |                 |       |                 |       |                 |       |                 |       |                 |       |                 |       |                 |       |                 |       |                 |       |                 |       |                 |       |                 |       |                 |       |                 |       |                 |       |                 |       |                 |       |                 |       |                 |       |                 |       |                 |       |                 |       |                 |       |                 |       |                 |       |                 |       |                 |       |                 |       |                 |       |                 |       |                 |       |                 |       |                 |       |                 |       |                 |       |                 |       |                 |       |                 |       |                 |       |                 |       |                 |       |                 |       |                 |       |                 |       |                 |       |                 |       |                 |       |                 |       |                 |       |                 |       |                 |       |                 |       |                 |       |                 |       |                 |       |                 |       |                 |       |                 |       |                 |       |                 |       |                 |       |                 |       |                 |       |                 |       |                 |       |                 |       |                 |       |                 |       |                 |       |                 |       |                 |       |                 |       |                 |       |                 |       |                 |       |                 |       |                 |       |                 |       |                 |       |                 |       |                 |       |                 |       |                 |       |                 |       |                 |       |                 |       |                 |       |                 |       |                 |       |                 |       |                 |       |                 |      |                 |       |                 |       |                 |       |                 |       |                 |       |                 |       |                 |       |                 |       |                 |       |                 |       |                 |       |                 |       |                 |       |                 |       |                 |       |                 |       |                 |       |                 |       |                 |       |                 |       |                 |       |                 |       |                 |       |                 |       |                 |       |                 |       |                 |       |                 |       |                 |       |                 |       |                 |       |                 |       |                 |       |                 |       |                 |       |                 |       |                 |       |                 |       |                 |      |                 |      |                 |      |                 |  |                 |  |                 |  |                 |  |  |  |  |  |  |  |  |  |  |  |  |  |  |  |  |  |
| 1.94            | 9652       | 733      | 1.17                   | <b>F 127R77</b> |         |                 |            |              |                        | <b>F 127R77</b> |         |              |      |                 |       |                 |       |                 |       |                 |       |              |       |                 |       |                 |       |              |       |              |       |                 |       |              |       |              |       |                 |       |              |       |              |       |                 |       |              |       |              |       |                 |       |              |       |              |       |                 |       |              |       |              |       |                 |       |              |       |              |       |                 |       |              |       |              |       |                 |       |              |       |              |       |                 |       |              |       |              |       |                 |       |              |       |              |       |                 |       |              |       |              |       |                 |       |              |       |              |       |              |       |              |       |              |       |              |       |              |       |              |       |              |       |              |       |                 |       |              |       |                 |       |                 |       |                 |       |                 |       |                 |       |                 |       |                 |       |                 |       |                 |       |                 |       |                 |       |                 |       |                 |       |                 |       |                 |       |                 |       |                 |       |                 |       |                 |       |                 |       |                 |       |                 |       |                 |       |                 |       |                 |       |                 |       |                 |       |                 |       |                 |       |                 |       |                 |       |                 |       |                 |       |                 |       |                 |       |                 |       |                 |       |                 |       |                 |       |                 |       |                 |       |                 |       |                 |       |                 |       |                 |       |                 |       |                 |       |                 |       |                 |       |                 |       |                 |       |                 |       |                 |       |                 |       |                 |       |                 |       |                 |       |                 |       |                 |       |                 |       |                 |       |                 |       |                 |       |                 |       |                 |       |                 |       |                 |       |                 |       |                 |       |                 |       |                 |       |                 |       |                 |       |                 |       |                 |       |                 |       |                 |       |                 |       |                 |       |                 |       |                 |       |                 |       |                 |       |                 |       |                 |       |                 |       |                 |       |                 |       |                 |       |                 |       |                 |       |                 |       |                 |       |                 |       |                 |       |                 |       |                 |       |                 |       |                 |       |                 |       |                 |       |                 |       |                 |       |                 |       |                 |       |                 |       |                 |       |                 |       |                 |       |                 |       |                 |       |                 |       |                 |       |                 |       |                 |       |                 |       |                 |       |                 |       |                 |       |                 |       |                 |       |                 |       |                 |       |                 |       |                 |       |                 |       |                 |       |                 |       |                 |       |                 |       |                 |       |                 |       |                 |       |                 |       |                 |       |                 |       |                 |       |                 |       |                 |       |                 |      |                 |       |                 |       |                 |       |                 |       |                 |       |                 |       |                 |       |                 |       |                 |       |                 |       |                 |       |                 |       |                 |       |                 |       |                 |       |                 |       |                 |       |                 |       |                 |       |                 |       |                 |       |                 |       |                 |       |                 |       |                 |       |                 |       |                 |       |                 |       |                 |       |                 |       |                 |       |                 |       |                 |       |                 |       |                 |       |                 |       |                 |       |                 |       |                 |      |                 |      |                 |      |                 |  |                 |  |                 |  |                 |  |  |  |  |  |  |  |  |  |  |  |  |  |  |  |  |  |
| <b>F 127R77</b> |            |          |                        |                 |         | <b>F 127R77</b> |            |              |                        |                 |         |              |      |                 |       |                 |       |                 |       |                 |       |              |       |                 |       |                 |       |              |       |              |       |                 |       |              |       |              |       |                 |       |              |       |              |       |                 |       |              |       |              |       |                 |       |              |       |              |       |                 |       |              |       |              |       |                 |       |              |       |              |       |                 |       |              |       |              |       |                 |       |              |       |              |       |                 |       |              |       |              |       |                 |       |              |       |              |       |                 |       |              |       |              |       |                 |       |              |       |              |       |              |       |              |       |              |       |              |       |              |       |              |       |              |       |              |       |                 |       |              |       |                 |       |                 |       |                 |       |                 |       |                 |       |                 |       |                 |       |                 |       |                 |       |                 |       |                 |       |                 |       |                 |       |                 |       |                 |       |                 |       |                 |       |                 |       |                 |       |                 |       |                 |       |                 |       |                 |       |                 |       |                 |       |                 |       |                 |       |                 |       |                 |       |                 |       |                 |       |                 |       |                 |       |                 |       |                 |       |                 |       |                 |       |                 |       |                 |       |                 |       |                 |       |                 |       |                 |       |                 |       |                 |       |                 |       |                 |       |                 |       |                 |       |                 |       |                 |       |                 |       |                 |       |                 |       |                 |       |                 |       |                 |       |                 |       |                 |       |                 |       |                 |       |                 |       |                 |       |                 |       |                 |       |                 |       |                 |       |                 |       |                 |       |                 |       |                 |       |                 |       |                 |       |                 |       |                 |       |                 |       |                 |       |                 |       |                 |       |                 |       |                 |       |                 |       |                 |       |                 |       |                 |       |                 |       |                 |       |                 |       |                 |       |                 |       |                 |       |                 |       |                 |       |                 |       |                 |       |                 |       |                 |       |                 |       |                 |       |                 |       |                 |       |                 |       |                 |       |                 |       |                 |       |                 |       |                 |       |                 |       |                 |       |                 |       |                 |       |                 |       |                 |       |                 |       |                 |       |                 |       |                 |       |                 |       |                 |       |                 |       |                 |       |                 |       |                 |       |                 |       |                 |       |                 |       |                 |       |                 |       |                 |       |                 |       |                 |       |                 |       |                 |       |                 |       |                 |       |                 |       |                 |       |                 |       |                 |       |                 |      |                 |       |                 |       |                 |       |                 |       |                 |       |                 |       |                 |       |                 |       |                 |       |                 |       |                 |       |                 |       |                 |       |                 |       |                 |       |                 |       |                 |       |                 |       |                 |       |                 |       |                 |       |                 |       |                 |       |                 |       |                 |       |                 |       |                 |       |                 |       |                 |       |                 |       |                 |       |                 |       |                 |       |                 |       |                 |       |                 |       |                 |       |                 |       |                 |      |                 |      |                 |      |                 |  |                 |  |                 |  |                 |  |  |  |  |  |  |  |  |  |  |  |  |  |  |  |  |  |
|                 |            |          |                        |                 |         |                 |            |              |                        |                 |         |              |      |                 |       |                 |       |                 |       |                 |       |              |       |                 |       |                 |       |              |       |              |       |                 |       |              |       |              |       |                 |       |              |       |              |       |                 |       |              |       |              |       |                 |       |              |       |              |       |                 |       |              |       |              |       |                 |       |              |       |              |       |                 |       |              |       |              |       |                 |       |              |       |              |       |                 |       |              |       |              |       |                 |       |              |       |              |       |                 |       |              |       |              |       |                 |       |              |       |              |       |              |       |              |       |              |       |              |       |              |       |              |       |              |       |              |       |                 |       |              |       |                 |       |                 |       |                 |       |                 |       |                 |       |                 |       |                 |       |                 |       |                 |       |                 |       |                 |       |                 |       |                 |       |                 |       |                 |       |                 |       |                 |       |                 |       |                 |       |                 |       |                 |       |                 |       |                 |       |                 |       |                 |       |                 |       |                 |       |                 |       |                 |       |                 |       |                 |       |                 |       |                 |       |                 |       |                 |       |                 |       |                 |       |                 |       |                 |       |                 |       |                 |       |                 |       |                 |       |                 |       |                 |       |                 |       |                 |       |                 |       |                 |       |                 |       |                 |       |                 |       |                 |       |                 |       |                 |       |                 |       |                 |       |                 |       |                 |       |                 |       |                 |       |                 |       |                 |       |                 |       |                 |       |                 |       |                 |       |                 |       |                 |       |                 |       |                 |       |                 |       |                 |       |                 |       |                 |       |                 |       |                 |       |                 |       |                 |       |                 |       |                 |       |                 |       |                 |       |                 |       |                 |       |                 |       |                 |       |                 |       |                 |       |                 |       |                 |       |                 |       |                 |       |                 |       |                 |       |                 |       |                 |       |                 |       |                 |       |                 |       |                 |       |                 |       |                 |       |                 |       |                 |       |                 |       |                 |       |                 |       |                 |       |                 |       |                 |       |                 |       |                 |       |                 |       |                 |       |                 |       |                 |       |                 |       |                 |       |                 |       |                 |       |                 |       |                 |       |                 |       |                 |       |                 |       |                 |       |                 |       |                 |       |                 |       |                 |       |                 |       |                 |       |                 |       |                 |       |                 |       |                 |       |                 |       |                 |       |                 |      |                 |       |                 |       |                 |       |                 |       |                 |       |                 |       |                 |       |                 |       |                 |       |                 |       |                 |       |                 |       |                 |       |                 |       |                 |       |                 |       |                 |       |                 |       |                 |       |                 |       |                 |       |                 |       |                 |       |                 |       |                 |       |                 |       |                 |       |                 |       |                 |       |                 |       |                 |       |                 |       |                 |       |                 |       |                 |       |                 |       |                 |       |                 |       |                 |      |                 |      |                 |      |                 |  |                 |  |                 |  |                 |  |  |  |  |  |  |  |  |  |  |  |  |  |  |  |  |  |

减速机的外形安装尺寸在95页到101页里查找。The appearance of reducer installation dimensions in 95 to 101 page search page.



| 输出转速<br>r/min | 输出扭矩<br>Nm | 传动比<br>i | 使用系数<br>f <sub>B</sub> | 机型号<br>Type | 极数<br>p | 输出转速<br>r/min | 输出扭矩<br>Nm | 传动比<br>i   | 使用系数<br>f <sub>B</sub> | 机型号<br>Type | 极数<br>p |          |      |            |       |          |       |         |       |            |       |       |       |          |      |            |       |        |       |          |      |            |       |        |       |          |      |            |       |         |       |          |      |            |       |         |       |          |      |            |       |        |       |          |      |            |       |        |      |          |      |            |       |        |      |          |      |            |       |        |      |            |      |            |       |            |      |            |      |        |       |            |      |          |       |        |       |            |       |        |       |          |      |            |       |        |       |          |      |            |       |       |       |          |      |            |       |        |       |          |      |            |       |        |       |          |      |            |       |            |       |          |      |        |       |            |      |          |      |        |       |            |       |        |       |          |      |            |       |        |       |          |      |            |       |        |       |          |      |            |       |        |       |          |      |            |       |        |       |          |      |            |       |            |      |          |      |        |       |            |      |            |      |        |       |        |       |            |       |            |      |        |       |        |       |            |       |          |      |        |       |            |       |        |       |          |      |            |       |        |       |          |      |            |       |        |       |          |      |            |       |        |       |          |      |            |       |            |       |          |      |        |       |            |      |            |      |        |       |       |       |            |       |          |      |       |       |            |       |        |       |          |      |            |       |        |       |          |      |            |       |       |       |          |      |            |       |        |       |          |      |            |       |       |       |          |      |            |       |        |      |          |      |            |       |       |      |          |      |            |       |       |      |          |      |            |       |       |      |          |      |            |       |       |      |          |      |            |       |       |      |          |      |            |       |       |      |          |      |            |       |       |      |          |      |            |       |       |      |          |      |            |       |       |      |          |      |            |       |       |      |          |      |            |       |       |      |          |      |            |       |       |      |          |      |            |       |       |      |          |      |            |       |       |      |          |      |            |       |       |      |          |      |            |       |       |      |          |      |            |       |            |      |          |      |            |       |            |      |          |      |            |       |       |       |          |      |            |       |       |       |          |      |            |       |       |      |          |       |            |       |       |       |          |      |            |       |       |      |          |       |            |       |       |      |            |       |            |       |       |       |            |      |            |       |       |      |          |       |            |       |          |       |          |       |            |       |      |       |            |      |            |       |            |      |            |       |      |       |            |       |          |       |            |       |            |       |            |       |          |      |            |       |            |       |          |       |            |       |            |       |          |       |          |       |            |       |      |       |          |       |          |       |      |       |          |       |          |       |      |       |      |       |     |       |     |       |     |       |     |       |     |       |     |       |     |       |     |       |     |       |     |      |     |      |
|---------------|------------|----------|------------------------|-------------|---------|---------------|------------|------------|------------------------|-------------|---------|----------|------|------------|-------|----------|-------|---------|-------|------------|-------|-------|-------|----------|------|------------|-------|--------|-------|----------|------|------------|-------|--------|-------|----------|------|------------|-------|---------|-------|----------|------|------------|-------|---------|-------|----------|------|------------|-------|--------|-------|----------|------|------------|-------|--------|------|----------|------|------------|-------|--------|------|----------|------|------------|-------|--------|------|------------|------|------------|-------|------------|------|------------|------|--------|-------|------------|------|----------|-------|--------|-------|------------|-------|--------|-------|----------|------|------------|-------|--------|-------|----------|------|------------|-------|-------|-------|----------|------|------------|-------|--------|-------|----------|------|------------|-------|--------|-------|----------|------|------------|-------|------------|-------|----------|------|--------|-------|------------|------|----------|------|--------|-------|------------|-------|--------|-------|----------|------|------------|-------|--------|-------|----------|------|------------|-------|--------|-------|----------|------|------------|-------|--------|-------|----------|------|------------|-------|--------|-------|----------|------|------------|-------|------------|------|----------|------|--------|-------|------------|------|------------|------|--------|-------|--------|-------|------------|-------|------------|------|--------|-------|--------|-------|------------|-------|----------|------|--------|-------|------------|-------|--------|-------|----------|------|------------|-------|--------|-------|----------|------|------------|-------|--------|-------|----------|------|------------|-------|--------|-------|----------|------|------------|-------|------------|-------|----------|------|--------|-------|------------|------|------------|------|--------|-------|-------|-------|------------|-------|----------|------|-------|-------|------------|-------|--------|-------|----------|------|------------|-------|--------|-------|----------|------|------------|-------|-------|-------|----------|------|------------|-------|--------|-------|----------|------|------------|-------|-------|-------|----------|------|------------|-------|--------|------|----------|------|------------|-------|-------|------|----------|------|------------|-------|-------|------|----------|------|------------|-------|-------|------|----------|------|------------|-------|-------|------|----------|------|------------|-------|-------|------|----------|------|------------|-------|-------|------|----------|------|------------|-------|-------|------|----------|------|------------|-------|-------|------|----------|------|------------|-------|-------|------|----------|------|------------|-------|-------|------|----------|------|------------|-------|-------|------|----------|------|------------|-------|-------|------|----------|------|------------|-------|-------|------|----------|------|------------|-------|-------|------|----------|------|------------|-------|-------|------|----------|------|------------|-------|-------|------|----------|------|------------|-------|------------|------|----------|------|------------|-------|------------|------|----------|------|------------|-------|-------|-------|----------|------|------------|-------|-------|-------|----------|------|------------|-------|-------|------|----------|-------|------------|-------|-------|-------|----------|------|------------|-------|-------|------|----------|-------|------------|-------|-------|------|------------|-------|------------|-------|-------|-------|------------|------|------------|-------|-------|------|----------|-------|------------|-------|----------|-------|----------|-------|------------|-------|------|-------|------------|------|------------|-------|------------|------|------------|-------|------|-------|------------|-------|----------|-------|------------|-------|------------|-------|------------|-------|----------|------|------------|-------|------------|-------|----------|-------|------------|-------|------------|-------|----------|-------|----------|-------|------------|-------|------|-------|----------|-------|----------|-------|------|-------|----------|-------|----------|-------|------|-------|------|-------|-----|-------|-----|-------|-----|-------|-----|-------|-----|-------|-----|-------|-----|-------|-----|-------|-----|-------|-----|------|-----|------|
| <b>2.2kW</b>  |            |          |                        |             |         | <b>2.2kW</b>  |            |            |                        |             |         |          |      |            |       |          |       |         |       |            |       |       |       |          |      |            |       |        |       |          |      |            |       |        |       |          |      |            |       |         |       |          |      |            |       |         |       |          |      |            |       |        |       |          |      |            |       |        |      |          |      |            |       |        |      |          |      |            |       |        |      |            |      |            |       |            |      |            |      |        |       |            |      |          |       |        |       |            |       |        |       |          |      |            |       |        |       |          |      |            |       |       |       |          |      |            |       |        |       |          |      |            |       |        |       |          |      |            |       |            |       |          |      |        |       |            |      |          |      |        |       |            |       |        |       |          |      |            |       |        |       |          |      |            |       |        |       |          |      |            |       |        |       |          |      |            |       |        |       |          |      |            |       |            |      |          |      |        |       |            |      |            |      |        |       |        |       |            |       |            |      |        |       |        |       |            |       |          |      |        |       |            |       |        |       |          |      |            |       |        |       |          |      |            |       |        |       |          |      |            |       |        |       |          |      |            |       |            |       |          |      |        |       |            |      |            |      |        |       |       |       |            |       |          |      |       |       |            |       |        |       |          |      |            |       |        |       |          |      |            |       |       |       |          |      |            |       |        |       |          |      |            |       |       |       |          |      |            |       |        |      |          |      |            |       |       |      |          |      |            |       |       |      |          |      |            |       |       |      |          |      |            |       |       |      |          |      |            |       |       |      |          |      |            |       |       |      |          |      |            |       |       |      |          |      |            |       |       |      |          |      |            |       |       |      |          |      |            |       |       |      |          |      |            |       |       |      |          |      |            |       |       |      |          |      |            |       |       |      |          |      |            |       |       |      |          |      |            |       |       |      |          |      |            |       |       |      |          |      |            |       |            |      |          |      |            |       |            |      |          |      |            |       |       |       |          |      |            |       |       |       |          |      |            |       |       |      |          |       |            |       |       |       |          |      |            |       |       |      |          |       |            |       |       |      |            |       |            |       |       |       |            |      |            |       |       |      |          |       |            |       |          |       |          |       |            |       |      |       |            |      |            |       |            |      |            |       |      |       |            |       |          |       |            |       |            |       |            |       |          |      |            |       |            |       |          |       |            |       |            |       |          |       |          |       |            |       |      |       |          |       |          |       |      |       |          |       |          |       |      |       |      |       |     |       |     |       |     |       |     |       |     |       |     |       |     |       |     |       |     |       |     |      |     |      |
| 2.22          | 8428       | 640      | 1.34                   | F 127R77    | 4       | 26            | 767        | 55.12      | 1.84                   | F 77        | 4       |          |      |            |       |          |       |         |       |            |       |       |       |          |      |            |       |        |       |          |      |            |       |        |       |          |      |            |       |         |       |          |      |            |       |         |       |          |      |            |       |        |       |          |      |            |       |        |      |          |      |            |       |        |      |          |      |            |       |        |      |            |      |            |       |            |      |            |      |        |       |            |      |          |       |        |       |            |       |        |       |          |      |            |       |        |       |          |      |            |       |       |       |          |      |            |       |        |       |          |      |            |       |        |       |          |      |            |       |            |       |          |      |        |       |            |      |          |      |        |       |            |       |        |       |          |      |            |       |        |       |          |      |            |       |        |       |          |      |            |       |        |       |          |      |            |       |        |       |          |      |            |       |            |      |          |      |        |       |            |      |            |      |        |       |        |       |            |       |            |      |        |       |        |       |            |       |          |      |        |       |            |       |        |       |          |      |            |       |        |       |          |      |            |       |        |       |          |      |            |       |        |       |          |      |            |       |            |       |          |      |        |       |            |      |            |      |        |       |       |       |            |       |          |      |       |       |            |       |        |       |          |      |            |       |        |       |          |      |            |       |       |       |          |      |            |       |        |       |          |      |            |       |       |       |          |      |            |       |        |      |          |      |            |       |       |      |          |      |            |       |       |      |          |      |            |       |       |      |          |      |            |       |       |      |          |      |            |       |       |      |          |      |            |       |       |      |          |      |            |       |       |      |          |      |            |       |       |      |          |      |            |       |       |      |          |      |            |       |       |      |          |      |            |       |       |      |          |      |            |       |       |      |          |      |            |       |       |      |          |      |            |       |       |      |          |      |            |       |       |      |          |      |            |       |       |      |          |      |            |       |            |      |          |      |            |       |            |      |          |      |            |       |       |       |          |      |            |       |       |       |          |      |            |       |       |      |          |       |            |       |       |       |          |      |            |       |       |      |          |       |            |       |       |      |            |       |            |       |       |       |            |      |            |       |       |      |          |       |            |       |          |       |          |       |            |       |      |       |            |      |            |       |            |      |            |       |      |       |            |       |          |       |            |       |            |       |            |       |          |      |            |       |            |       |          |       |            |       |            |       |          |       |          |       |            |       |      |       |          |       |          |       |      |       |          |       |          |       |      |       |      |       |     |       |     |       |     |       |     |       |     |       |     |       |     |       |     |       |     |       |     |      |     |      |
| 2.62          | 7137       | 542      | 1.58                   |             |         | 2.90          | 6439       | 489        | 1.75                   |             |         | 3.36     | 5570 | 423        | 2.0   | 2.3      | 8256  | 627     | 0.89  | 2.5        | 7374  | 560   | 1.00  | F 107R77 | 4    | 2.9        | 6439  | 489    | 1.14  | 3.3      | 5623 | 427        | 1.31  | 3.9    | 4767  | 362      | 1.55 | 4.3        | 4306  | 327     | 1.71  | 3.9      | 4833 | 367        | 0.84  | F 97R57 | 4     | 4.9      | 3792 | 288        | 1.07  | 5.7    | 3253  | 247      | 1.24 | 2.8        | 7100  | 255.25 | 1.02 | F 107    | 8    | 3.3        | 5982  | 215.04 | 1.21 | 3.6      | 5544 | 199.31     | 1.30  | 4.0    | 4969 | 178.64     | 1.45 | 3.7        | 5363  | 255.25     | 1.35 | F 107      | 6    | 4.4    | 4518  | 215.04     | 1.60 | 4.7      | 4188  | 199.31 | 1.72  | 5.3        | 3753  | 178.64 | 1.92  | 5.6      | 3550 | 255.25     | 2.0   | F 107  | 4     | 6.6      | 2991 | 215.04     | 2.4   | 7.1   | 2772  | 199.31   | 2.6  | 7.9        | 2485  | 178.64 | 2.9   | 4.2      | 4755 | 226.34     | 0.85  | F 97   | 6     | 5.0      | 3960 | 188.50     | 1.02  | 5.3        | 3694  | 175.83   | 1.09 | 6.0    | 3302  | 157.16     | 1.22 | 5.1      | 3848 | 276.64 | 1.05  | F 97       | 4     | 5.6    | 3544  | 254.79   | 1.14 | 6.3        | 3148  | 226.34 | 1.28  | 7.5      | 2622 | 188.50     | 1.54  | 8.1    | 2445  | 175.83   | 1.65 | 9.0        | 2186  | 157.16 | 1.85  | 10       | 1968 | 141.47     | 2.1   | 11     | 1782  | 128.12   | 2.3  | 7.2        | 2738  | 196.85     | 1.03 | F 87     | 4    | 7.9    | 2489  | 178.95     | 1.13 | 8.9        | 2220 | 159.61 | 1.27  | 11     | 1866  | 134.16     | 1.51  | 12         | 1715 | 126.29 | 1.64  | 13     | 1523  | 109.49     | 1.85  | 15       | 1361 | 97.89  | 2.1   | 16         | 1224  | 88.01  | 2.3   | 19       | 1062 | 76.39      | 2.7   | 21     | 951   | 68.40    | 3.0  | 25         | 789   | 56.75  | 3.6   | 28       | 699  | 50.29      | 4.0   | 31     | 629   | 45.22    | 4.2  | 12         | 1592  | 114.45     | 0.89  | F 77     | 4    | 13     | 1508  | 108.46     | 0.93 | 15         | 1320 | 94.93  | 1.07  | 17    | 1189  | 85.52      | 1.19  | 19       | 1043 | 75.02 | 1.35  | 21         | 922   | 66.28  | 1.53  | 24       | 809  | 58.16      | 1.74  | 32     | 624   | 44.84    | 0.90 | F 57       | 4     | 37    | 533   | 38.30    | 1.06 | 40         | 499   | 35.87  | 1.13  | 47       | 420  | 30.22      | 1.32  | 57    | 347   | 24.96    | 1.56 | 67         | 294   | 21.17  | 1.92 | 74       | 266  | 19.11      | 2.1   | 84    | 234  | 16.81    | 2.4  | 89         | 221   | 15.88 | 2.6  | 56       | 355  | 25.54      | 1.06  | F 47  | 4    | 66       | 301  | 21.66      | 1.25  | 73    | 272  | 19.56    | 1.38 | 83         | 239   | 17.21 | 1.57 | 87       | 226  | 16.25      | 1.66  | 103   | 192  | 13.83    | 1.95 | 113        | 175   | 12.57 | 2.2  | 130      | 151  | 10.89      | 2.5   | 156   | 126  | 9.08     | 2.5  | 99         | 199   | 14.33 | 0.94 | F 37     | 4    | 110        | 179   | 12.87 | 1.05 | 128      | 154  | 11.08      | 1.16  | 136   | 145  | 10.42    | 1.20 | 158        | 125   | 8.97  | 1.32 | 177      | 111  | 8.01       | 1.43  | 209   | 95   | 6.81     | 1.39 | 232        | 85    | 6.11  | 1.49 | 269      | 73   | 5.27       | 1.60  | 287   | 69   | 4.95     | 1.64 | 333        | 59    | 4.26  | 1.75 | 373      | 53   | 3.81       | 1.86  | <b>3kW</b> |      |          |      |            |       | <b>3kW</b> |      |          |      |            |       | 1.2   | 20991 | 1169     | 0.81 | F 157R97   | 4     | 1.2   | 20991 | 1169     | 0.81 | 1.5        | 17113 | 953   | 0.99 | 1.7      | 15173 | 845        | 1.12  | 1.9   | 13719 | 764      | 1.23 | 2.1        | 12211 | 680   | 1.39 | 2.5      | 10343 | 576        | 1.64  | 3.2   | 8009 | 446        | 2.1   | 4.7        | 5405  | 301   | 3.1   | 5.2        | 4884 | 272        | 3.5   | 6.1   | 4148 | 231      | 4.1   | 7.2        | 3520  | 196      | 4.8   |          |       |            |       |      |       |            |      |            |       |            |      |            |       |      |       |            |       |          |       |            |       |            |       |            |       |          |      |            |       |            |       |          |       |            |       |            |       |          |       |          |       |            |       |      |       |          |       |          |       |      |       |          |       |          |       |      |       |      |       |     |       |     |       |     |       |     |       |     |       |     |       |     |       |     |       |     |       |     |      |     |      |
| 2.90          | 6439       | 489      | 1.75                   |             |         | 3.36          | 5570       | 423        | 2.0                    |             |         | 2.3      | 8256 | 627        | 0.89  | 2.5      | 7374  | 560     | 1.00  | F 107R77   | 4     | 2.9   | 6439  |          |      | 489        | 1.14  | 3.3    | 5623  | 427      | 1.31 | 3.9        | 4767  | 362    | 1.55  | 4.3      | 4306 | 327        | 1.71  | 3.9     | 4833  | 367      | 0.84 | F 97R57    | 4     |         |       | 4.9      | 3792 | 288        | 1.07  | 5.7    | 3253  | 247      | 1.24 | 2.8        | 7100  | 255.25 | 1.02 |          |      | F 107      | 8     | 3.3    | 5982 | 215.04   | 1.21 | 3.6        | 5544  | 199.31 | 1.30 | 4.0        | 4969 | 178.64     | 1.45  | 3.7        | 5363 |            |      | 255.25 | 1.35  | F 107      | 6    | 4.4      | 4518  | 215.04 | 1.60  | 4.7        | 4188  | 199.31 | 1.72  | 5.3      | 3753 | 178.64     | 1.92  |        |       | 5.6      | 3550 | 255.25     | 2.0   | F 107 | 4     | 6.6      | 2991 | 215.04     | 2.4   | 7.1    | 2772  | 199.31   | 2.6  | 7.9        | 2485  |        |       | 178.64   | 2.9  | 4.2        | 4755  | 226.34     | 0.85  | F 97     | 6    | 5.0    | 3960  | 188.50     | 1.02 | 5.3      | 3694 | 175.83 | 1.09  |            |       | 6.0    | 3302  | 157.16   | 1.22 | 5.1        | 3848  | 276.64 | 1.05  | F 97     | 4    | 5.6        | 3544  | 254.79 | 1.14  | 6.3      | 3148 | 226.34     | 1.28  | 7.5    | 2622  | 188.50   | 1.54 | 8.1        | 2445  | 175.83 | 1.65  | 9.0      | 2186 | 157.16     | 1.85  | 10         | 1968 |          |      | 141.47 | 2.1   | 11         | 1782 | 128.12     | 2.3  | 7.2    | 2738  | 196.85 | 1.03  | F 87       | 4     | 7.9        | 2489 | 178.95 | 1.13  | 8.9    | 2220  | 159.61     | 1.27  | 11       | 1866 | 134.16 | 1.51  | 12         | 1715  | 126.29 | 1.64  | 13       | 1523 | 109.49     | 1.85  | 15     | 1361  | 97.89    | 2.1  | 16         | 1224  | 88.01  | 2.3   | 19       | 1062 | 76.39      | 2.7   | 21     | 951   | 68.40    | 3.0  | 25         | 789   | 56.75      | 3.6   |          |      | 28     | 699   | 50.29      | 4.0  | 31         | 629  | 45.22  | 4.2   | 12    | 1592  | 114.45     | 0.89  | F 77     | 4    | 13    | 1508  | 108.46     | 0.93  | 15     | 1320  | 94.93    | 1.07 | 17         | 1189  | 85.52  | 1.19  | 19       | 1043 |            |       | 75.02 | 1.35  | 21       | 922  | 66.28      | 1.53  | 24     | 809   | 58.16    | 1.74 | 32         | 624   | 44.84 | 0.90  | F 57     | 4    | 37         | 533   | 38.30  | 1.06 | 40       | 499  | 35.87      | 1.13  | 47    | 420  | 30.22    | 1.32 | 57         | 347   | 24.96 | 1.56 | 67       | 294  | 21.17      | 1.92  |       |      | 74       | 266  | 19.11      | 2.1   | 84    | 234  | 16.81    | 2.4  | 89         | 221   | 15.88 | 2.6  | 56       | 355  | 25.54      | 1.06  | F 47  | 4    | 66       | 301  | 21.66      | 1.25  | 73    | 272  | 19.56    | 1.38 | 83         | 239   | 17.21 | 1.57 | 87       | 226  | 16.25      | 1.66  | 103   | 192  |          |      | 13.83      | 1.95  | 113   | 175  | 12.57    | 2.2  | 130        | 151   | 10.89 | 2.5  | 156      | 126  | 9.08       | 2.5   | 99    | 199  | 14.33    | 0.94 | F 37       | 4     | 110   | 179  | 12.87    | 1.05 | 128        | 154   | 11.08 | 1.16 | 136      | 145  | 10.42      | 1.20  | 158   | 125  | 8.97     | 1.32 | 177        | 111   | 8.01  | 1.43 | 209      | 95   | 6.81       | 1.39  | 232        | 85   | 6.11     | 1.49 | 269        | 73    | 5.27       | 1.60 | 287      | 69   | 4.95       | 1.64  | 333   | 59    | 4.26     | 1.75 |            |       | 373   | 53    | 3.81     | 1.86 | <b>3kW</b> |       |       |      |          |       | <b>3kW</b> |       |       |       |          |      | 1.2        | 20991 | 1169  | 0.81 | F 157R97 | 4     | 1.2        | 20991 | 1169  | 0.81 | 1.5        | 17113 | 953        | 0.99  | 1.7   | 15173 | 845        | 1.12 | 1.9        | 13719 | 764   | 1.23 | 2.1      | 12211 | 680        | 1.39  | 2.5      | 10343 | 576      | 1.64  | 3.2        | 8009  | 446  | 2.1   | 4.7        | 5405 | 301        | 3.1   | 5.2        | 4884 | 272        | 3.5   | 6.1  | 4148  | 231        | 4.1   | 7.2      | 3520  | 196        | 4.8   |            |       |            |       |          |      |            |       |            |       |          |       |            |       |            |       |          |       |          |       |            |       |      |       |          |       |          |       |      |       |          |       |          |       |      |       |      |       |     |       |     |       |     |       |     |       |     |       |     |       |     |       |     |       |     |       |     |      |     |      |
| 3.36          | 5570       | 423      | 2.0                    |             |         | 2.3           | 8256       | 627        | 0.89                   |             |         | 2.5      | 7374 | 560        | 1.00  | F 107R77 | 4     | 2.9     | 6439  |            |       | 489   | 1.14  |          |      | 3.3        | 5623  | 427    | 1.31  | 3.9      | 4767 | 362        | 1.55  | 4.3    | 4306  | 327      | 1.71 | 3.9        | 4833  | 367     | 0.84  | F 97R57  | 4    |            |       |         |       | 4.9      | 3792 | 288        | 1.07  | 5.7    | 3253  | 247      | 1.24 | 2.8        | 7100  | 255.25 | 1.02 |          |      |            |       | F 107  | 8    | 3.3      | 5982 | 215.04     | 1.21  | 3.6    | 5544 | 199.31     | 1.30 | 4.0        | 4969  | 178.64     | 1.45 |            |      | 3.7    | 5363  |            |      | 255.25   | 1.35  | F 107  | 6     | 4.4        | 4518  | 215.04 | 1.60  | 4.7      | 4188 | 199.31     | 1.72  |        |       | 5.3      | 3753 | 178.64     | 1.92  |       |       | 5.6      | 3550 | 255.25     | 2.0   | F 107  | 4     | 6.6      | 2991 | 215.04     | 2.4   |        |       | 7.1      | 2772 | 199.31     | 2.6   | 7.9        | 2485  |          |      | 178.64 | 2.9   | 4.2        | 4755 | 226.34   | 0.85 | F 97   | 6     |            |       | 5.0    | 3960  | 188.50   | 1.02 | 5.3        | 3694  | 175.83 | 1.09  |          |      | 6.0        | 3302  | 157.16 | 1.22  | 5.1      | 3848 | 276.64     | 1.05  | F 97   | 4     | 5.6      | 3544 | 254.79     | 1.14  | 6.3    | 3148  | 226.34   | 1.28 | 7.5        | 2622  | 188.50     | 1.54 |          |      | 8.1    | 2445  | 175.83     | 1.65 | 9.0        | 2186 | 157.16 | 1.85  | 10     | 1968  |            |       | 141.47     | 2.1  | 11     | 1782  | 128.12 | 2.3   | 7.2        | 2738  | 196.85   | 1.03 | F 87   | 4     | 7.9        | 2489  | 178.95 | 1.13  | 8.9      | 2220 | 159.61     | 1.27  | 11     | 1866  | 134.16   | 1.51 | 12         | 1715  | 126.29 | 1.64  | 13       | 1523 | 109.49     | 1.85  | 15     | 1361  | 97.89    | 2.1  | 16         | 1224  | 88.01      | 2.3   |          |      | 19     | 1062  | 76.39      | 2.7  | 21         | 951  | 68.40  | 3.0   | 25    | 789   | 56.75      | 3.6   |          |      | 28    | 699   | 50.29      | 4.0   | 31     | 629   | 45.22    | 4.2  | 12         | 1592  | 114.45 | 0.89  | F 77     | 4    |            |       | 13    | 1508  | 108.46   | 0.93 | 15         | 1320  | 94.93  | 1.07  | 17       | 1189 | 85.52      | 1.19  | 19    | 1043  |          |      | 75.02      | 1.35  | 21     | 922  | 66.28    | 1.53 | 24         | 809   | 58.16 | 1.74 | 32       | 624  | 44.84      | 0.90  | F 57  | 4    | 37       | 533  | 38.30      | 1.06  |       |      | 40       | 499  | 35.87      | 1.13  | 47    | 420  | 30.22    | 1.32 | 57         | 347   | 24.96 | 1.56 | 67       | 294  | 21.17      | 1.92  |       |      | 74       | 266  | 19.11      | 2.1   | 84    | 234  | 16.81    | 2.4  | 89         | 221   | 15.88 | 2.6  | 56       | 355  | 25.54      | 1.06  | F 47  | 4    |          |      | 66         | 301   | 21.66 | 1.25 | 73       | 272  | 19.56      | 1.38  | 83    | 239  | 17.21    | 1.57 | 87         | 226   | 16.25 | 1.66 | 103      | 192  |            |       | 13.83 | 1.95 | 113      | 175  | 12.57      | 2.2   | 130   | 151  | 10.89    | 2.5  | 156        | 126   | 9.08  | 2.5  | 99       | 199  | 14.33      | 0.94  | F 37  | 4    | 110      | 179  | 12.87      | 1.05  | 128        | 154  | 11.08    | 1.16 | 136        | 145   | 10.42      | 1.20 | 158      | 125  | 8.97       | 1.32  | 177   | 111   | 8.01     | 1.43 |            |       | 209   | 95    | 6.81     | 1.39 | 232        | 85    | 6.11  | 1.49 | 269      | 73    | 5.27       | 1.60  | 287   | 69    | 4.95     | 1.64 | 333        | 59    | 4.26  | 1.75 |          |       | 373        | 53    | 3.81  | 1.86 | <b>3kW</b> |       |            |       |       |       | <b>3kW</b> |      |            |       |       |      | 1.2      | 20991 | 1169       | 0.81  | F 157R97 | 4     | 1.2      | 20991 | 1169       | 0.81  | 1.5  | 17113 | 953        | 0.99 | 1.7        | 15173 | 845        | 1.12 | 1.9        | 13719 | 764  | 1.23  | 2.1        | 12211 | 680      | 1.39  | 2.5        | 10343 | 576        | 1.64  | 3.2        | 8009  | 446      | 2.1  | 4.7        | 5405  | 301        | 3.1   | 5.2      | 4884  | 272        | 3.5   | 6.1        | 4148  | 231      | 4.1   | 7.2      | 3520  | 196        | 4.8   |      |       |          |       |          |       |      |       |          |       |          |       |      |       |      |       |     |       |     |       |     |       |     |       |     |       |     |       |     |       |     |       |     |       |     |      |     |      |
| 2.3           | 8256       | 627      | 0.89                   |             |         | 2.5           | 7374       | 560        | 1.00                   |             |         | F 107R77 | 4    | 2.9        | 6439  |          |       | 489     | 1.14  |            |       | 3.3   | 5623  |          |      | 427        | 1.31  | 3.9    | 4767  | 362      | 1.55 | 4.3        | 4306  | 327    | 1.71  | 3.9      | 4833 | 367        | 0.84  | F 97R57 | 4     |          |      |            |       | 4.9     | 3792  | 288      | 1.07 | 5.7        | 3253  | 247    | 1.24  | 2.8      | 7100 | 255.25     | 1.02  | F 107  | 8    |          |      |            |       |        |      | 3.3      | 5982 | 215.04     | 1.21  | 3.6    | 5544 | 199.31     | 1.30 | 4.0        | 4969  | 178.64     | 1.45 |            |      | 3.7    | 5363  |            |      | 255.25   | 1.35  |        |       | F 107      | 6     | 4.4    | 4518  | 215.04   | 1.60 | 4.7        | 4188  |        |       | 199.31   | 1.72 | 5.3        | 3753  |       |       | 178.64   | 1.92 | 5.6        | 3550  |        |       | 255.25   | 2.0  | F 107      | 4     |        |       | 6.6      | 2991 | 215.04     | 2.4   | 7.1        | 2772  |          |      | 199.31 | 2.6   | 7.9        | 2485 | 178.64   | 2.9  |        |       |            |       | 4.2    | 4755  | 226.34   | 0.85 | F 97       | 6     | 5.0    | 3960  |          |      | 188.50     | 1.02  | 5.3    | 3694  | 175.83   | 1.09 | 6.0        | 3302  |        |       | 157.16   | 1.22 | 5.1        | 3848  | 276.64 | 1.05  | F 97     | 4    | 5.6        | 3544  | 254.79     | 1.14 |          |      | 6.3    | 3148  | 226.34     | 1.28 | 7.5        | 2622 | 188.50 | 1.54  | 8.1    | 2445  |            |       | 175.83     | 1.65 | 9.0    | 2186  | 157.16 | 1.85  | 10         | 1968  | 141.47   | 2.1  |        |       | 11         | 1782  | 128.12 | 2.3   | 7.2      | 2738 | 196.85     | 1.03  | F 87   | 4     | 7.9      | 2489 | 178.95     | 1.13  | 8.9    | 2220  | 159.61   | 1.27 | 11         | 1866  | 134.16 | 1.51  | 12       | 1715 | 126.29     | 1.64  | 13         | 1523  |          |      | 109.49 | 1.85  | 15         | 1361 | 97.89      | 2.1  | 16     | 1224  | 88.01 | 2.3   | 19         | 1062  |          |      | 76.39 | 2.7   | 21         | 951   | 68.40  | 3.0   | 25       | 789  | 56.75      | 3.6   | 28     | 699   |          |      |            |       | 50.29 | 4.0   | 31       | 629  | 45.22      | 4.2   | 12     | 1592  | 114.45   | 0.89 | F 77       | 4     | 13    | 1508  |          |      | 108.46     | 0.93  | 15     | 1320 | 94.93    | 1.07 | 17         | 1189  | 85.52 | 1.19 | 19       | 1043 | 75.02      | 1.35  |       |      | 21       | 922  | 66.28      | 1.53  |       |      | 24       | 809  | 58.16      | 1.74  | 32    | 624  | 44.84    | 0.90 | F 57       | 4     | 37    | 533  | 38.30    | 1.06 | 40         | 499   |       |      | 35.87    | 1.13 | 47         | 420   | 30.22 | 1.32 | 57       | 347  | 24.96      | 1.56  | 67    | 294  | 21.17    | 1.92 | 74         | 266   |       |      |          |      | 19.11      | 2.1   | 84    | 234  | 16.81    | 2.4  | 89         | 221   | 15.88 | 2.6  | 56       | 355  | 25.54      | 1.06  | F 47  | 4    | 66       | 301  |            |       | 21.66 | 1.25 | 73       | 272  | 19.56      | 1.38  | 83    | 239  | 17.21    | 1.57 | 87         | 226   | 16.25 | 1.66 | 103      | 192  | 13.83      | 1.95  |       |      | 113      | 175  | 12.57      | 2.2   | 130        | 151  | 10.89    | 2.5  | 156        | 126   | 9.08       | 2.5  | 99       | 199  | 14.33      | 0.94  | F 37  | 4     | 110      | 179  |            |       | 12.87 | 1.05  | 128      | 154  | 11.08      | 1.16  | 136   | 145  | 10.42    | 1.20  | 158        | 125   | 8.97  | 1.32  | 177      | 111  | 8.01       | 1.43  | 209   | 95   |          |       | 6.81       | 1.39  | 232   | 85   | 6.11       | 1.49  | 269        | 73    | 5.27  | 1.60  | 287        | 69   | 4.95       | 1.64  | 333   | 59   | 4.26     | 1.75  | 373        | 53    |          |       | 3.81     | 1.86  | <b>3kW</b> |       |      |       |            |      | <b>3kW</b> |       |            |      |            |       | 1.2  | 20991 | 1169       | 0.81  | F 157R97 | 4     | 1.2        | 20991 | 1169       | 0.81  | 1.5        | 17113 | 953      | 0.99 | 1.7        | 15173 | 845        | 1.12  | 1.9      | 13719 | 764        | 1.23  | 2.1        | 12211 | 680      | 1.39  | 2.5      | 10343 | 576        | 1.64  | 3.2  | 8009  | 446      | 2.1   | 4.7      | 5405  | 301  | 3.1   | 5.2      | 4884  | 272      | 3.5   | 6.1  | 4148  | 231  | 4.1   | 7.2 | 3520  | 196 | 4.8   |     |       |     |       |     |       |     |       |     |       |     |       |     |       |     |      |     |      |
| 2.5           | 7374       | 560      | 1.00                   | F 107R77    | 4       | 2.9           | 6439       | 489        | 1.14                   |             |         |          |      | 3.3        | 5623  |          |       | 427     | 1.31  |            |       | 3.9   | 4767  |          |      | 362        | 1.55  | 4.3    | 4306  | 327      | 1.71 | 3.9        | 4833  | 367    | 0.84  | F 97R57  | 4    | 4.9        | 3792  |         |       |          |      | 288        | 1.07  | 5.7     | 3253  | 247      | 1.24 | 2.8        | 7100  | 255.25 | 1.02  | F 107    | 8    | 3.3        | 5982  |        |      | 215.04   | 1.21 |            |       |        |      | 3.6      | 5544 | 199.31     | 1.30  | 4.0    | 4969 | 178.64     | 1.45 | 3.7        | 5363  | 255.25     | 1.35 | F 107      | 6    | 4.4    | 4518  |            |      | 215.04   | 1.60  |        |       |            |       | 4.7    | 4188  | 199.31   | 1.72 | 5.3        | 3753  | 178.64 | 1.92  | 5.6      | 3550 | 255.25     | 2.0   |       |       | F 107    | 4    | 6.6        | 2991  |        |       | 215.04   | 2.4  |            |       | 7.1    | 2772  | 199.31   | 2.6  | 7.9        | 2485  | 178.64     | 2.9   |          |      | 4.2    | 4755  | 226.34     | 0.85 | F 97     | 6    |        |       |            |       | 5.0    | 3960  | 188.50   | 1.02 |            |       | 5.3    | 3694  |          |      | 175.83     | 1.09  | 6.0    | 3302  | 157.16   | 1.22 | 5.1        | 3848  |        |       | 276.64   | 1.05 | F 97       | 4     | 5.6    | 3544  |          |      | 254.79     | 1.14  | 6.3        | 3148 |          |      | 226.34 | 1.28  | 7.5        | 2622 | 188.50     | 1.54 | 8.1    | 2445  | 175.83 | 1.65  |            |       | 9.0        | 2186 | 157.16 | 1.85  | 10     | 1968  | 141.47     | 2.1   | 11       | 1782 |        |       | 128.12     | 2.3   | 7.2    | 2738  | 196.85   | 1.03 | F 87       | 4     |        |       | 7.9      | 2489 | 178.95     | 1.13  | 8.9    | 2220  | 159.61   | 1.27 | 11         | 1866  | 134.16 | 1.51  | 12       | 1715 | 126.29     | 1.64  | 13         | 1523  |          |      | 109.49 | 1.85  | 15         | 1361 | 97.89      | 2.1  | 16     | 1224  | 88.01 | 2.3   | 19         | 1062  |          |      | 76.39 | 2.7   | 21         | 951   | 68.40  | 3.0   | 25       | 789  | 56.75      | 3.6   | 28     | 699   |          |      |            |       | 50.29 | 4.0   | 31       | 629  | 45.22      | 4.2   | 12     | 1592  | 114.45   | 0.89 |            |       | F 77  | 4     |          |      | 13         | 1508  | 108.46 | 0.93 | 15       | 1320 | 94.93      | 1.07  | 17    | 1189 | 85.52    | 1.19 | 19         | 1043  |       |      | 75.02    | 1.35 | 21         | 922   |       |      | 66.28    | 1.53 | 24         | 809   | 58.16 | 1.74 | 32       | 624  |            |       | 44.84 | 0.90 | F 57     | 4    | 37         | 533   |       |      | 38.30    | 1.06 | 40         | 499   | 35.87 | 1.13 | 47       | 420  | 30.22      | 1.32  | 57    | 347  | 24.96    | 1.56 | 67         | 294   |       |      |          |      | 21.17      | 1.92  | 74    | 266  | 19.11    | 2.1  | 84         | 234   | 16.81 | 2.4  | 89       | 221  | 15.88      | 2.6   |       |      | 56       | 355  |            |       | 25.54 | 1.06 | F 47     | 4    | 66         | 301   | 21.66 | 1.25 | 73       | 272  | 19.56      | 1.38  | 83    | 239  | 17.21    | 1.57 | 87         | 226   |       |      | 16.25    | 1.66 | 103        | 192   | 13.83      | 1.95 | 113      | 175  | 12.57      | 2.2   | 130        | 151  | 10.89    | 2.5  | 156        | 126   |       |       | 9.08     | 2.5  |            |       | 99    | 199   | 14.33    | 0.94 | F 37       | 4     | 110   | 179  | 12.87    | 1.05  | 128        | 154   | 11.08 | 1.16  | 136      | 145  | 10.42      | 1.20  | 158   | 125  |          |       | 8.97       | 1.32  | 177   | 111  | 8.01       | 1.43  | 209        | 95    | 6.81  | 1.39  | 232        | 85   | 6.11       | 1.49  | 269   | 73   | 5.27     | 1.60  | 287        | 69    |          |       | 4.95     | 1.64  | 333        | 59    | 4.26 | 1.75  | 373        | 53   | 3.81       | 1.86  | <b>3kW</b> |      |            |       |      |       | <b>3kW</b> |       |          |       |            |       | 1.2        | 20991 | 1169       | 0.81  | F 157R97 | 4    | 1.2        | 20991 | 1169       | 0.81  | 1.5      | 17113 | 953        | 0.99  | 1.7        | 15173 | 845      | 1.12  | 1.9      | 13719 | 764        | 1.23  | 2.1  | 12211 | 680      | 1.39  | 2.5      | 10343 | 576  | 1.64  | 3.2      | 8009  | 446      | 2.1   | 4.7  | 5405  | 301  | 3.1   | 5.2 | 4884  | 272 | 3.5   | 6.1 | 4148  | 231 | 4.1   | 7.2 | 3520  | 196 | 4.8   |     |       |     |       |     |       |     |      |     |      |
| 2.9           | 6439       | 489      | 1.14                   |             |         | 3.3           | 5623       | 427        | 1.31                   |             |         |          |      | 3.9        | 4767  |          |       | 362     | 1.55  |            |       | 4.3   | 4306  | 327      | 1.71 | 3.9        | 4833  | 367    | 0.84  | F 97R57  | 4    | 4.9        | 3792  | 288    | 1.07  |          |      | 5.7        | 3253  |         |       | 247      | 1.24 | 2.8        | 7100  | 255.25  | 1.02  | F 107    | 8    | 3.3        | 5982  | 215.04 | 1.21  |          |      | 3.6        | 5544  |        |      | 199.31   | 1.30 | 4.0        | 4969  |        |      | 178.64   | 1.45 | 3.7        | 5363  | 255.25 | 1.35 | F 107      | 6    | 4.4        | 4518  | 215.04     | 1.60 |            |      | 4.7    | 4188  | 199.31     | 1.72 | 5.3      | 3753  |        |       |            |       | 178.64 | 1.92  | 5.6      | 3550 | 255.25     | 2.0   | F 107  | 4     | 6.6      | 2991 | 215.04     | 2.4   | 7.1   | 2772  |          |      | 199.31     | 2.6   |        |       | 7.9      | 2485 |            |       | 178.64 | 2.9   | 4.2      | 4755 | 226.34     | 0.85  | F 97       | 6     | 5.0      | 3960 | 188.50 | 1.02  | 5.3        | 3694 |          |      |        |       |            |       | 175.83 | 1.09  | 6.0      | 3302 |            |       | 157.16 | 1.22  |          |      | 5.1        | 3848  | 276.64 | 1.05  | F 97     | 4    | 5.6        | 3544  |        |       | 254.79   | 1.14 |            |       | 6.3    | 3148  |          |      | 226.34     | 1.28  | 7.5        | 2622 |          |      | 188.50 | 1.54  | 8.1        | 2445 | 175.83     | 1.65 | 9.0    | 2186  | 157.16 | 1.85  |            |       | 10         | 1968 | 141.47 | 2.1   | 11     | 1782  | 128.12     | 2.3   | 7.2      | 2738 |        |       | 196.85     | 1.03  | F 87   | 4     | 7.9      | 2489 |            |       |        |       | 178.95   | 1.13 | 8.9        | 2220  | 159.61 | 1.27  | 11       | 1866 | 134.16     | 1.51  | 12     | 1715  | 126.29   | 1.64 | 13         | 1523  | 109.49     | 1.85  |          |      | 15     | 1361  | 97.89      | 2.1  | 16         | 1224 | 88.01  | 2.3   | 19    | 1062  | 76.39      | 2.7   |          |      | 21    | 951   | 68.40      | 3.0   | 25     | 789   | 56.75    | 3.6  | 28         | 699   | 50.29  | 4.0   |          |      |            |       | 31    | 629   | 45.22    | 4.2  | 12         | 1592  | 114.45 | 0.89  | F 77     | 4    |            |       |       |       |          |      | 13         | 1508  | 108.46 | 0.93 | 15       | 1320 | 94.93      | 1.07  | 17    | 1189 | 85.52    | 1.19 | 19         | 1043  |       |      | 75.02    | 1.35 | 21         | 922   |       |      | 66.28    | 1.53 | 24         | 809   | 58.16 | 1.74 | 32       | 624  |            |       | 44.84 | 0.90 |          |      | F 57       | 4     |       |      | 37       | 533  | 38.30      | 1.06  | 40    | 499  | 35.87    | 1.13 | 47         | 420   | 30.22 | 1.32 | 57       | 347  | 24.96      | 1.56  |       |      |          |      | 67         | 294   | 21.17 | 1.92 | 74       | 266  | 19.11      | 2.1   | 84    | 234  | 16.81    | 2.4  | 89         | 221   |       |      | 15.88    | 2.6  |            |       | 56    | 355  |          |      | 25.54      | 1.06  | F 47  | 4    | 66       | 301  | 21.66      | 1.25  | 73    | 272  | 19.56    | 1.38 | 83         | 239   |       |      | 17.21    | 1.57 | 87         | 226   | 16.25      | 1.66 | 103      | 192  | 13.83      | 1.95  | 113        | 175  | 12.57    | 2.2  | 130        | 151   |       |       | 10.89    | 2.5  |            |       | 156   | 126   | 9.08     | 2.5  |            |       | 99    | 199  | 14.33    | 0.94  | F 37       | 4     | 110   | 179   | 12.87    | 1.05 | 128        | 154   | 11.08 | 1.16 |          |       | 136        | 145   | 10.42 | 1.20 | 158        | 125   | 8.97       | 1.32  | 177   | 111   | 8.01       | 1.43 | 209        | 95    | 6.81  | 1.39 | 232      | 85    | 6.11       | 1.49  |          |       | 269      | 73    | 5.27       | 1.60  | 287  | 69    | 4.95       | 1.64 | 333        | 59    | 4.26       | 1.75 | 373        | 53    | 3.81 | 1.86  | <b>3kW</b> |       |          |       |            |       | <b>3kW</b> |       |            |       |          |      | 1.2        | 20991 | 1169       | 0.81  | F 157R97 | 4     | 1.2        | 20991 | 1169       | 0.81  | 1.5      | 17113 | 953      | 0.99  | 1.7        | 15173 | 845  | 1.12  | 1.9      | 13719 | 764      | 1.23  | 2.1  | 12211 | 680      | 1.39  | 2.5      | 10343 | 576  | 1.64  | 3.2  | 8009  | 446 | 2.1   | 4.7 | 5405  | 301 | 3.1   | 5.2 | 4884  | 272 | 3.5   | 6.1 | 4148  | 231 | 4.1   | 7.2 | 3520  | 196 | 4.8   |     |      |     |      |
| 3.3           | 5623       | 427      | 1.31                   |             |         | 3.9           | 4767       | 362        | 1.55                   |             |         |          |      | 4.3        | 4306  |          |       | 327     | 1.71  | 3.9        | 4833  | 367   | 0.84  | F 97R57  | 4    | 4.9        | 3792  | 288    | 1.07  |          |      | 5.7        | 3253  | 247    | 1.24  |          |      | 2.8        | 7100  | 255.25  | 1.02  | F 107    | 8    | 3.3        | 5982  | 215.04  | 1.21  |          |      | 3.6        | 5544  | 199.31 | 1.30  |          |      | 4.0        | 4969  |        |      | 178.64   | 1.45 | 3.7        | 5363  | 255.25 | 1.35 | F 107    | 6    | 4.4        | 4518  | 215.04 | 1.60 |            |      | 4.7        | 4188  | 199.31     | 1.72 |            |      | 5.3    | 3753  | 178.64     | 1.92 | 5.6      | 3550  | 255.25 | 2.0   |            |       | F 107  | 4     | 6.6      | 2991 | 215.04     | 2.4   |        |       | 7.1      | 2772 | 199.31     | 2.6   | 7.9   | 2485  |          |      | 178.64     | 2.9   | 4.2    | 4755  | 226.34   | 0.85 |            |       | F 97   | 6     | 5.0      | 3960 | 188.50     | 1.02  |            |       | 5.3      | 3694 | 175.83 | 1.09  | 6.0        | 3302 |          |      | 157.16 | 1.22  |            |       | 5.1    | 3848  | 276.64   | 1.05 |            |       | F 97   | 4     |          |      | 5.6        | 3544  | 254.79 | 1.14  |          |      | 6.3        | 3148  |        |       | 226.34   | 1.28 |            |       | 7.5    | 2622  |          |      | 188.50     | 1.54  | 8.1        | 2445 |          |      | 175.83 | 1.65  | 9.0        | 2186 | 157.16     | 1.85 | 10     | 1968  | 141.47 | 2.1   |            |       | 11         | 1782 | 128.12 | 2.3   | 7.2    | 2738  | 196.85     | 1.03  | F 87     | 4    |        |       | 7.9        | 2489  |        |       | 178.95   | 1.13 |            |       |        |       | 8.9      | 2220 | 159.61     | 1.27  | 11     | 1866  | 134.16   | 1.51 | 12         | 1715  | 126.29 | 1.64  | 13       | 1523 | 109.49     | 1.85  | 15         | 1361  |          |      | 97.89  | 2.1   | 16         | 1224 | 88.01      | 2.3  | 19     | 1062  | 76.39 | 2.7   | 21         | 951   |          |      | 68.40 | 3.0   | 25         | 789   | 56.75  | 3.6   | 28       | 699  | 50.29      | 4.0   | 31     | 629   |          |      |            |       | 45.22 | 4.2   | 12       | 1592 | 114.45     | 0.89  | F 77   | 4     |          |      |            |       |       |       |          |      | 13         | 1508  | 108.46 | 0.93 | 15       | 1320 | 94.93      | 1.07  | 17    | 1189 | 85.52    | 1.19 | 19         | 1043  |       |      | 75.02    | 1.35 | 21         | 922   |       |      | 66.28    | 1.53 | 24         | 809   | 58.16 | 1.74 | 32       | 624  |            |       | 44.84 | 0.90 |          |      |            |       |       |      | F 57     | 4    | 37         | 533   | 38.30 | 1.06 | 40       | 499  | 35.87      | 1.13  | 47    | 420  | 30.22    | 1.32 | 57         | 347   |       |      |          |      | 24.96      | 1.56  | 67    | 294  | 21.17    | 1.92 | 74         | 266   | 19.11 | 2.1  | 84       | 234  | 16.81      | 2.4   |       |      | 89       | 221  |            |       | 15.88 | 2.6  |          |      | 56         | 355   |       |      | 25.54    | 1.06 | F 47       | 4     | 66    | 301  | 21.66    | 1.25 | 73         | 272   |       |      | 19.56    | 1.38 | 83         | 239   | 17.21      | 1.57 | 87       | 226  | 16.25      | 1.66  | 103        | 192  | 13.83    | 1.95 | 113        | 175   |       |       | 12.57    | 2.2  |            |       | 130   | 151   | 10.89    | 2.5  |            |       | 156   | 126  | 9.08     | 2.5   |            |       | 99    | 199   | 14.33    | 0.94 | F 37       | 4     | 110   | 179  |          |       | 12.87      | 1.05  | 128   | 154  | 11.08      | 1.16  | 136        | 145   | 10.42 | 1.20  | 158        | 125  | 8.97       | 1.32  | 177   | 111  | 8.01     | 1.43  | 209        | 95    |          |       | 6.81     | 1.39  | 232        | 85    | 6.11 | 1.49  | 269        | 73   | 5.27       | 1.60  | 287        | 69   | 4.95       | 1.64  | 333  | 59    | 4.26       | 1.75  |          |       | 373        | 53    | 3.81       | 1.86  | <b>3kW</b> |       |          |      |            |       | <b>3kW</b> |       |          |       |            |       | 1.2        | 20991 | 1169     | 0.81  | F 157R97 | 4     | 1.2        | 20991 | 1169 | 0.81  | 1.5      | 17113 | 953      | 0.99  | 1.7  | 15173 | 845      | 1.12  | 1.9      | 13719 | 764  | 1.23  | 2.1  | 12211 | 680 | 1.39  | 2.5 | 10343 | 576 | 1.64  | 3.2 | 8009  | 446 | 2.1   | 4.7 | 5405  | 301 | 3.1   | 5.2 | 4884  | 272 | 3.5   | 6.1 | 4148 | 231 | 4.1  |
| 3.9           | 4767       | 362      | 1.55                   |             |         | 4.3           | 4306       | 327        | 1.71                   |             |         |          |      | 3.9        | 4833  | 367      | 0.84  | F 97R57 | 4     | 4.9        | 3792  | 288   | 1.07  |          |      | 5.7        | 3253  | 247    | 1.24  |          |      | 2.8        | 7100  | 255.25 | 1.02  | F 107    | 8    | 3.3        | 5982  | 215.04  | 1.21  |          |      | 3.6        | 5544  | 199.31  | 1.30  |          |      | 4.0        | 4969  | 178.64 | 1.45  |          |      | 3.7        | 5363  | 255.25 | 1.35 | F 107    | 6    | 4.4        | 4518  | 215.04 | 1.60 |          |      | 4.7        | 4188  | 199.31 | 1.72 |            |      | 5.3        | 3753  | 178.64     | 1.92 |            |      | 5.6    | 3550  | 255.25     | 2.0  | F 107    | 4     | 6.6    | 2991  | 215.04     | 2.4   |        |       | 7.1      | 2772 | 199.31     | 2.6   |        |       | 7.9      | 2485 | 178.64     | 2.9   | 4.2   | 4755  |          |      | 226.34     | 0.85  | F 97   | 6     | 5.0      | 3960 | 188.50     | 1.02  |        |       | 5.3      | 3694 | 175.83     | 1.09  |            |       | 6.0      | 3302 | 157.16 | 1.22  | 5.1        | 3848 |          |      | 276.64 | 1.05  |            |       | F 97   | 4     | 5.6      | 3544 | 254.79     | 1.14  |        |       |          |      | 6.3        | 3148  | 226.34 | 1.28  |          |      | 7.5        | 2622  |        |       | 188.50   | 1.54 |            |       | 8.1    | 2445  |          |      | 175.83     | 1.65  | 9.0        | 2186 |          |      | 157.16 | 1.85  | 10         | 1968 | 141.47     | 2.1  | 11     | 1782  | 128.12 | 2.3   |            |       | 7.2        | 2738 | 196.85 | 1.03  | F 87   | 4     | 7.9        | 2489  |          |      |        |       | 178.95     | 1.13  |        |       | 8.9      | 2220 |            |       |        |       | 159.61   | 1.27 | 11         | 1866  | 134.16 | 1.51  | 12       | 1715 | 126.29     | 1.64  | 13     | 1523  | 109.49   | 1.85 | 15         | 1361  | 97.89      | 2.1   |          |      | 16     | 1224  | 88.01      | 2.3  | 19         | 1062 | 76.39  | 2.7   | 21    | 951   | 68.40      | 3.0   |          |      | 25    | 789   | 56.75      | 3.6   | 28     | 699   | 50.29    | 4.0  | 31         | 629   | 45.22  | 4.2   |          |      |            |       | 12    | 1592  | 114.45   | 0.89 | F 77       | 4     |        |       |          |      |            |       |       |       |          |      | 13         | 1508  | 108.46 | 0.93 | 15       | 1320 | 94.93      | 1.07  | 17    | 1189 | 85.52    | 1.19 | 19         | 1043  |       |      | 75.02    | 1.35 | 21         | 922   | 66.28 | 1.53 | 24       | 809  | 58.16      | 1.74  | 32    | 624  | 44.84    | 0.90 |            |       | F 57  | 4    |          |      |            |       |       |      |          |      | 37         | 533   | 38.30 | 1.06 | 40       | 499  | 35.87      | 1.13  | 47    | 420  | 30.22    | 1.32 | 57         | 347   |       |      |          |      | 24.96      | 1.56  | 67    | 294  | 21.17    | 1.92 | 74         | 266   | 19.11 | 2.1  | 84       | 234  | 16.81      | 2.4   |       |      | 89       | 221  |            |       | 15.88 | 2.6  |          |      | 56         | 355   |       |      | 25.54    | 1.06 |            |       | F 47  | 4    | 66       | 301  | 21.66      | 1.25  |       |      | 73       | 272  | 19.56      | 1.38  | 83         | 239  | 17.21    | 1.57 | 87         | 226   | 16.25      | 1.66 | 103      | 192  | 13.83      | 1.95  |       |       | 113      | 175  |            |       | 12.57 | 2.2   | 130      | 151  |            |       | 10.89 | 2.5  | 156      | 126   |            |       | 9.08  | 2.5   | 99       | 199  |            |       | 14.33 | 0.94 |          |       | F 37       | 4     | 110   | 179  | 12.87      | 1.05  | 128        | 154   | 11.08 | 1.16  | 136        | 145  | 10.42      | 1.20  | 158   | 125  | 8.97     | 1.32  | 177        | 111   |          |       | 8.01     | 1.43  | 209        | 95    | 6.81 | 1.39  | 232        | 85   | 6.11       | 1.49  | 269        | 73   | 5.27       | 1.60  | 287  | 69    | 4.95       | 1.64  |          |       | 333        | 59    | 4.26       | 1.75  | 373        | 53    |          |      | 3.81       | 1.86  | <b>3kW</b> |       |          |       |            |       | <b>3kW</b> |       |          |       |          |       | 1.2        | 20991 | 1169 | 0.81  | F 157R97 | 4     | 1.2      | 20991 | 1169 | 0.81  | 1.5      | 17113 | 953      | 0.99  | 1.7  | 15173 | 845  | 1.12  | 1.9 | 13719 | 764 | 1.23  | 2.1 | 12211 | 680 | 1.39  | 2.5 | 10343 | 576 | 1.64  | 3.2 | 8009  | 446 | 2.1   | 4.7 | 5405  | 301 | 3.1  | 5.2 | 4884 |
| 4.3           | 4306       | 327      | 1.71                   |             |         | 3.9           | 4833       | 367        | 0.84                   |             |         | F 97R57  | 4    | 4.9        | 3792  | 288      | 1.07  |         |       | 5.7        | 3253  | 247   | 1.24  |          |      | 2.8        | 7100  | 255.25 | 1.02  | F 107    | 8    | 3.3        | 5982  | 215.04 | 1.21  |          |      | 3.6        | 5544  | 199.31  | 1.30  |          |      | 4.0        | 4969  | 178.64  | 1.45  |          |      | 3.7        | 5363  | 255.25 | 1.35  | F 107    | 6    | 4.4        | 4518  | 215.04 | 1.60 |          |      | 4.7        | 4188  | 199.31 | 1.72 |          |      | 5.3        | 3753  | 178.64 | 1.92 |            |      | 5.6        | 3550  | 255.25     | 2.0  | F 107      | 4    | 6.6    | 2991  | 215.04     | 2.4  |          |       | 7.1    | 2772  | 199.31     | 2.6   |        |       | 7.9      | 2485 | 178.64     | 2.9   |        |       | 4.2      | 4755 | 226.34     | 0.85  | F 97  | 6     | 5.0      | 3960 | 188.50     | 1.02  |        |       | 5.3      | 3694 | 175.83     | 1.09  |        |       | 6.0      | 3302 | 157.16     | 1.22  |            |       | 5.1      | 3848 | 276.64 | 1.05  | F 97       | 4    | 5.6      | 3544 | 254.79 | 1.14  | 6.3        | 3148  |        |       | 226.34   | 1.28 | 7.5        | 2622  |        |       |          |      | 188.50     | 1.54  | 8.1    | 2445  |          |      | 175.83     | 1.65  |        |       | 9.0      | 2186 |            |       | 157.16 | 1.85  |          |      | 10         | 1968  | 141.47     | 2.1  |          |      | 11     | 1782  | 128.12     | 2.3  | 7.2        | 2738 | 196.85 | 1.03  | F 87   | 4     |            |       | 7.9        | 2489 | 178.95 | 1.13  |        |       | 8.9        | 2220  |          |      |        |       | 159.61     | 1.27  |        |       | 11       | 1866 |            |       |        |       | 134.16   | 1.51 | 12         | 1715  | 126.29 | 1.64  | 13       | 1523 | 109.49     | 1.85  | 15     | 1361  | 97.89    | 2.1  | 16         | 1224  | 88.01      | 2.3   |          |      | 19     | 1062  | 76.39      | 2.7  | 21         | 951  | 68.40  | 3.0   | 25    | 789   | 56.75      | 3.6   |          |      | 28    | 699   | 50.29      | 4.0   | 31     | 629   | 45.22    | 4.2  | 12         | 1592  | 114.45 | 0.89  |          |      |            |       | F 77  | 4     | 13       | 1508 |            |       |        |       |          |      |            |       |       |       |          |      | 108.46     | 0.93  | 15     | 1320 | 94.93    | 1.07 | 17         | 1189  | 85.52 | 1.19 | 19       | 1043 | 75.02      | 1.35  |       |      | 21       | 922  | 66.28      | 1.53  | 24    | 809  | 58.16    | 1.74 | 32         | 624   | 44.84 | 0.90 | F 57     | 4    |            |       |       |      |          |      |            |       | 37    | 533  |          |      | 38.30      | 1.06  | 40    | 499  | 35.87    | 1.13 | 47         | 420   | 30.22 | 1.32 | 57       | 347  | 24.96      | 1.56  |       |      |          |      | 67         | 294   | 21.17 | 1.92 | 74       | 266  | 19.11      | 2.1   | 84    | 234  | 16.81    | 2.4  | 89         | 221   |       |      | 15.88    | 2.6  |            |       | 56    | 355  |          |      | 25.54      | 1.06  |       |      | F 47     | 4    |            |       |       |      | 66       | 301  | 21.66      | 1.25  |       |      | 73       | 272  | 19.56      | 1.38  | 83         | 239  | 17.21    | 1.57 | 87         | 226   | 16.25      | 1.66 | 103      | 192  | 13.83      | 1.95  |       |       | 113      | 175  |            |       | 12.57 | 2.2   | 130      | 151  |            |       | 10.89 | 2.5  | 156      | 126   |            |       | 9.08  | 2.5   | 99       | 199  |            |       | 14.33 | 0.94 |          |       |            |       | F 37  | 4    | 110        | 179   | 12.87      | 1.05  | 128   | 154   | 11.08      | 1.16 | 136        | 145   | 10.42 | 1.20 | 158      | 125   | 8.97       | 1.32  |          |       | 177      | 111   | 8.01       | 1.43  | 209  | 95    | 6.81       | 1.39 | 232        | 85    | 6.11       | 1.49 | 269        | 73    | 5.27 | 1.60  | 287        | 69    |          |       | 4.95       | 1.64  | 333        | 59    | 4.26       | 1.75  |          |      | 373        | 53    | 3.81       | 1.86  |          |       | <b>3kW</b> |       |            |       |          |       |          |       | <b>3kW</b> |       |      |       |          |       | 1.2      | 20991 | 1169 | 0.81  | F 157R97 | 4     | 1.2      | 20991 | 1169 | 0.81  | 1.5  | 17113 | 953 | 0.99  | 1.7 | 15173 | 845 | 1.12  | 1.9 | 13719 | 764 | 1.23  | 2.1 | 12211 | 680 | 1.39  | 2.5 | 10343 | 576 | 1.64  | 3.2 | 8009 | 446 | 2.1  |
| 3.9           | 4833       | 367      | 0.84                   | F 97R57     | 4       | 4.9           | 3792       | 288        | 1.07                   | 5.7         | 3253    |          |      | 247        | 1.24  | 2.8      | 7100  |         |       | 255.25     | 1.02  | F 107 | 8     | 3.3      | 5982 | 215.04     | 1.21  | 3.6    | 5544  |          |      | 199.31     | 1.30  | 4.0    | 4969  |          |      | 178.64     | 1.45  | 3.7     | 5363  |          |      | 255.25     | 1.35  | F 107   | 6     | 4.4      | 4518 | 215.04     | 1.60  | 4.7    | 4188  |          |      | 199.31     | 1.72  | 5.3    | 3753 |          |      | 178.64     | 1.92  | 5.6    | 3550 |          |      | 255.25     | 2.0   | F 107  | 4    | 6.6        | 2991 | 215.04     | 2.4   | 7.1        | 2772 |            |      | 199.31 | 2.6   | 7.9        | 2485 |          |       | 178.64 | 2.9   | 4.2        | 4755  |        |       | 226.34   | 0.85 | F 97       | 6     | 5.0    | 3960  | 188.50   | 1.02 | 5.3        | 3694  |       |       | 175.83   | 1.09 | 6.0        | 3302  |        |       | 157.16   | 1.22 | 5.1        | 3848  |        |       | 276.64   | 1.05 | F 97       | 4     | 5.6        | 3544  | 254.79   | 1.14 | 6.3    | 3148  |            |      | 226.34   | 1.28 | 7.5    | 2622  | 188.50     | 1.54  |        |       | 8.1      | 2445 | 175.83     | 1.65  |        |       | 9.0      | 2186 | 157.16     | 1.85  | 10     | 1968  |          |      | 141.47     | 2.1   |        |       | 11       | 1782 |            |       | 128.12 | 2.3   |          |      | 7.2        | 2738  | 196.85     | 1.03 |          |      | F 87   | 4     | 7.9        | 2489 | 178.95     | 1.13 | 8.9    | 2220  |        |       |            |       | 159.61     | 1.27 | 11     | 1866  |        |       | 134.16     | 1.51  |          |      |        |       | 12         | 1715  |        |       | 126.29   | 1.64 |            |       |        |       | 13       | 1523 | 109.49     | 1.85  | 15     | 1361  | 97.89    | 2.1  | 16         | 1224  | 88.01  | 2.3   | 19       | 1062 | 76.39      | 2.7   | 21         | 951   |          |      | 68.40  | 3.0   | 25         | 789  | 56.75      | 3.6  | 28     | 699   | 50.29 | 4.0   | 31         | 629   |          |      | 45.22 | 4.2   | 12         | 1592  | 114.45 | 0.89  | F 77     | 4    | 13         | 1508  | 108.46 | 0.93  |          |      |            |       |       |       | 15       | 1320 |            |       |        |       |          |      |            |       |       |       |          |      | 94.93      | 1.07  | 17     | 1189 | 85.52    | 1.19 | 19         | 1043  | 75.02 | 1.35 | 21       | 922  | 66.28      | 1.53  |       |      | 24       | 809  | 58.16      | 1.74  | 32    | 624  | 44.84    | 0.90 | F 57       | 4     | 37    | 533  |          |      |            |       |       |      |          |      |            |       | 38.30 | 1.06 |          |      | 40         | 499   | 35.87 | 1.13 | 47       | 420  | 30.22      | 1.32  | 57    | 347  | 24.96    | 1.56 | 67         | 294   | 21.17 | 1.92 |          |      | 74         | 266   | 19.11 | 2.1  | 84       | 234  | 16.81      | 2.4   | 89    | 221  | 15.88    | 2.6  | 56         | 355   |       |      | 25.54    | 1.06 |            |       | F 47  | 4    |          |      | 66         | 301   |       |      |          |      |            |       |       |      | 21.66    | 1.25 | 73         | 272   |       |      | 19.56    | 1.38 | 83         | 239   | 17.21      | 1.57 | 87       | 226  | 16.25      | 1.66  | 103        | 192  | 13.83    | 1.95 | 113        | 175   |       |       | 12.57    | 2.2  |            |       | 130   | 151   | 10.89    | 2.5  |            |       | 156   | 126  | 9.08     | 2.5   |            |       | 99    | 199   | 14.33    | 0.94 |            |       | F 37  | 4    |          |       |            |       |       |      | 110        | 179   | 12.87      | 1.05  | 128   | 154   | 11.08      | 1.16 | 136        | 145   | 10.42 | 1.20 | 158      | 125   | 8.97       | 1.32  |          |       | 177      | 111   | 8.01       | 1.43  | 209  | 95    | 6.81       | 1.39 | 232        | 85    | 6.11       | 1.49 | 269        | 73    | 5.27 | 1.60  | 287        | 69    |          |       | 4.95       | 1.64  | 333        | 59    | 4.26       | 1.75  |          |      | 373        | 53    | 3.81       | 1.86  |          |       | <b>3kW</b> |       |            |       |          |       |          |       | <b>3kW</b> |       |      |       |          |       | 1.2      | 20991 | 1169 | 0.81  |          |       | F 157R97 | 4     | 1.2  | 20991 | 1169 | 0.81  | 1.5 | 17113 | 953 | 0.99  | 1.7 | 15173 | 845 | 1.12  | 1.9 | 13719 | 764 | 1.23  | 2.1 | 12211 | 680 | 1.39  | 2.5 | 10343 | 576 | 1.64 | 3.2 | 8009 |
| 4.9           | 3792       | 288      | 1.07                   |             |         | 5.7           | 3253       | 247        | 1.24                   | 2.8         | 7100    |          |      | 255.25     | 1.02  | F 107    | 8     | 3.3     | 5982  | 215.04     | 1.21  |       |       | 3.6      | 5544 | 199.31     | 1.30  | 4.0    | 4969  |          |      | 178.64     | 1.45  | 3.7    | 5363  |          |      | 255.25     | 1.35  | F 107   | 6     | 4.4      | 4518 | 215.04     | 1.60  |         |       | 4.7      | 4188 | 199.31     | 1.72  | 5.3    | 3753  |          |      | 178.64     | 1.92  | 5.6    | 3550 |          |      | 255.25     | 2.0   | F 107  | 4    | 6.6      | 2991 | 215.04     | 2.4   |        |      | 7.1        | 2772 | 199.31     | 2.6   | 7.9        | 2485 |            |      | 178.64 | 2.9   | 4.2        | 4755 |          |       | 226.34 | 0.85  | F 97       | 6     | 5.0    | 3960  | 188.50   | 1.02 |            |       | 5.3    | 3694  | 175.83   | 1.09 | 6.0        | 3302  |       |       | 157.16   | 1.22 | 5.1        | 3848  |        |       | 276.64   | 1.05 | F 97       | 4     | 5.6    | 3544  | 254.79   | 1.14 |            |       | 6.3        | 3148  | 226.34   | 1.28 | 7.5    | 2622  |            |      | 188.50   | 1.54 | 8.1    | 2445  | 175.83     | 1.65  |        |       | 9.0      | 2186 | 157.16     | 1.85  |        |       | 10       | 1968 | 141.47     | 2.1   | 11     | 1782  |          |      | 128.12     | 2.3   | 7.2    | 2738  | 196.85   | 1.03 |            |       | F 87   | 4     |          |      | 7.9        | 2489  | 178.95     | 1.13 |          |      |        |       | 8.9        | 2220 | 159.61     | 1.27 | 11     | 1866  |        |       |            |       | 134.16     | 1.51 | 12     | 1715  |        |       | 126.29     | 1.64  |          |      |        |       | 13         | 1523  |        |       | 109.49   | 1.85 |            |       |        |       | 15       | 1361 | 97.89      | 2.1   | 16     | 1224  | 88.01    | 2.3  | 19         | 1062  | 76.39  | 2.7   | 21       | 951  | 68.40      | 3.0   | 25         | 789   | 56.75    | 3.6  | 28     | 699   | 50.29      | 4.0  | 31         | 629  | 45.22  | 4.2   | 12    | 1592  | 114.45     | 0.89  |          |      | F 77  | 4     | 13         | 1508  | 108.46 | 0.93  |          |      | 15         | 1320  | 94.93  | 1.07  |          |      | 17         | 1189  |       |       | 85.52    | 1.19 |            |       |        |       |          |      |            |       |       |       |          |      | 19         | 1043  | 75.02  | 1.35 | 21       | 922  | 66.28      | 1.53  | 24    | 809  | 58.16    | 1.74 | 32         | 624   |       |      | 44.84    | 0.90 | F 57       | 4     | 37    | 533  | 38.30    | 1.06 |            |       | 40    | 499  |          |      |            |       |       |      |          |      |            |       | 35.87 | 1.13 |          |      | 47         | 420   | 30.22 | 1.32 | 57       | 347  | 24.96      | 1.56  | 67    | 294  | 21.17    | 1.92 | 74         | 266   | 19.11 | 2.1  | 84       | 234  | 16.81      | 2.4   | 89    | 221  | 15.88    | 2.6  | 56         | 355   | 25.54 | 1.06 | F 47     | 4    | 66         | 301   | 21.66 | 1.25 | 73       | 272  |            |       |       |      |          |      | 19.56      | 1.38  |       |      |          |      |            |       |       |      | 83       | 239  | 17.21      | 1.57  |       |      | 87       | 226  | 16.25      | 1.66  | 103        | 192  | 13.83    | 1.95 | 113        | 175   | 12.57      | 2.2  | 130      | 151  | 10.89      | 2.5   |       |       | 156      | 126  |            |       | 9.08  | 2.5   | 99       | 199  |            |       | 14.33 | 0.94 | F 37     | 4     |            |       | 110   | 179   | 12.87    | 1.05 |            |       |       |      |          |       |            |       |       |      | 128        | 154   | 11.08      | 1.16  | 136   | 145   | 10.42      | 1.20 | 158        | 125   | 8.97  | 1.32 | 177      | 111   | 8.01       | 1.43  |          |       | 209      | 95    | 6.81       | 1.39  | 232  | 85    | 6.11       | 1.49 | 269        | 73    | 5.27       | 1.60 | 287        | 69    | 4.95 | 1.64  | 333        | 59    |          |       | 4.26       | 1.75  | 373        | 53    | 3.81       | 1.86  |          |      | <b>3kW</b> |       |            |       |          |       | <b>3kW</b> |       |            |       |          |       |          |       | 1.2        | 20991 | 1169 | 0.81  |          |       | F 157R97 | 4     | 1.2  | 20991 |          |       |          |       | 1169 | 0.81  | 1.5  | 17113 | 953 | 0.99  | 1.7 | 15173 | 845 | 1.12  | 1.9 | 13719 | 764 | 1.23  | 2.1 | 12211 | 680 | 1.39  | 2.5 | 10343 | 576 | 1.64  | 3.2 | 8009 | 446 | 2.1  |
| 5.7           | 3253       | 247      | 1.24                   |             |         | 2.8           | 7100       | 255.25     | 1.02                   | F 107       | 8       | 3.3      | 5982 | 215.04     | 1.21  |          |       | 3.6     | 5544  | 199.31     | 1.30  |       |       | 4.0      | 4969 | 178.64     | 1.45  | 3.7    | 5363  |          |      | 255.25     | 1.35  | F 107  | 6     | 4.4      | 4518 | 215.04     | 1.60  |         |       | 4.7      | 4188 | 199.31     | 1.72  |         |       | 5.3      | 3753 | 178.64     | 1.92  | 5.6    | 3550  |          |      | 255.25     | 2.0   | F 107  | 4    | 6.6      | 2991 | 215.04     | 2.4   |        |      | 7.1      | 2772 | 199.31     | 2.6   |        |      | 7.9        | 2485 | 178.64     | 2.9   | 4.2        | 4755 |            |      | 226.34 | 0.85  | F 97       | 6    | 5.0      | 3960  | 188.50 | 1.02  |            |       | 5.3    | 3694  | 175.83   | 1.09 |            |       | 6.0    | 3302  | 157.16   | 1.22 | 5.1        | 3848  |       |       | 276.64   | 1.05 | F 97       | 4     | 5.6    | 3544  | 254.79   | 1.14 |            |       | 6.3    | 3148  | 226.34   | 1.28 |            |       | 7.5        | 2622  | 188.50   | 1.54 | 8.1    | 2445  |            |      | 175.83   | 1.65 | 9.0    | 2186  | 157.16     | 1.85  |        |       | 10       | 1968 | 141.47     | 2.1   |        |       | 11       | 1782 | 128.12     | 2.3   | 7.2    | 2738  |          |      | 196.85     | 1.03  | F 87   | 4     | 7.9      | 2489 |            |       |        |       | 178.95   | 1.13 | 8.9        | 2220  | 159.61     | 1.27 |          |      |        |       | 11         | 1866 | 134.16     | 1.51 | 12     | 1715  |        |       |            |       | 126.29     | 1.64 | 13     | 1523  |        |       | 109.49     | 1.85  |          |      |        |       | 15         | 1361  |        |       | 97.89    | 2.1  |            |       |        |       | 16       | 1224 | 88.01      | 2.3   | 19     | 1062  | 76.39    | 2.7  | 21         | 951   | 68.40  | 3.0   | 25       | 789  | 56.75      | 3.6   | 28         | 699   | 50.29    | 4.0  | 31     | 629   | 45.22      | 4.2  | 12         | 1592 | 114.45 | 0.89  | F 77  | 4     | 13         | 1508  | 108.46   | 0.93 |       |       | 15         | 1320  | 94.93  | 1.07  |          |      | 17         | 1189  | 85.52  | 1.19  |          |      | 19         | 1043  |       |       | 75.02    | 1.35 |            |       |        |       |          |      |            |       |       |       | 21       | 922  | 66.28      | 1.53  | 24     | 809  | 58.16    | 1.74 | 32         | 624   | 44.84 | 0.90 | F 57     | 4    | 37         | 533   |       |      | 38.30    | 1.06 |            |       | 40    | 499  | 35.87    | 1.13 |            |       | 47    | 420  |          |      |            |       |       |      |          |      |            |       | 30.22 | 1.32 |          |      | 57         | 347   | 24.96 | 1.56 | 67       | 294  | 21.17      | 1.92  | 74    | 266  | 19.11    | 2.1  | 84         | 234   | 16.81 | 2.4  | 89       | 221  | 15.88      | 2.6   | 56    | 355  | 25.54    | 1.06 | F 47       | 4     | 66    | 301  |          |      | 21.66      | 1.25  | 73    | 272  | 19.56    | 1.38 | 83         | 239   |       |      | 17.21    | 1.57 | 87         | 226   |       |      |          |      |            |       |       |      | 16.25    | 1.66 | 103        | 192   |       |      | 13.83    | 1.95 | 113        | 175   | 12.57      | 2.2  | 130      | 151  | 10.89      | 2.5   | 156        | 126  | 9.08     | 2.5  | 99         | 199   |       |       | 14.33    | 0.94 |            |       | F 37  | 4     | 110      | 179  |            |       | 12.87 | 1.05 |          |       |            |       | 128   | 154   | 11.08    | 1.16 |            |       |       |      |          |       |            |       |       |      | 136        | 145   | 10.42      | 1.20  | 158   | 125   | 8.97       | 1.32 | 177        | 111   | 8.01  | 1.43 | 209      | 95    | 6.81       | 1.39  |          |       | 232      | 85    | 6.11       | 1.49  | 269  | 73    | 5.27       | 1.60 | 287        | 69    | 4.95       | 1.64 | 333        | 59    | 4.26 | 1.75  | 373        | 53    |          |       | 3.81       | 1.86  | <b>3kW</b> |       |            |       |          |      | <b>3kW</b> |       |            |       |          |       | 1.2        | 20991 | 1169       | 0.81  | F 157R97 | 4     |          |       | 1.2        | 20991 | 1169 | 0.81  |          |       |          |       | 1.5  | 17113 |          |       |          |       | 953  | 0.99  | 1.7  | 15173 | 845 | 1.12  | 1.9 | 13719 | 764 | 1.23  | 2.1 | 12211 | 680 | 1.39  | 2.5 | 10343 | 576 | 1.64  | 3.2 | 8009  | 446 | 2.1   | 4.7 | 5405 | 301 | 3.1  |
| 2.8           | 7100       | 255.25   | 1.02                   | F 107       | 8       | 3.3           | 5982       | 215.04     | 1.21                   |             |         | 3.6      | 5544 | 199.31     | 1.30  |          |       | 4.0     | 4969  | 178.64     | 1.45  |       |       | 3.7      | 5363 | 255.25     | 1.35  | F 107  | 6     | 4.4      | 4518 | 215.04     | 1.60  |        |       | 4.7      | 4188 | 199.31     | 1.72  |         |       | 5.3      | 3753 | 178.64     | 1.92  |         |       | 5.6      | 3550 | 255.25     | 2.0   | F 107  | 4     | 6.6      | 2991 | 215.04     | 2.4   |        |      | 7.1      | 2772 | 199.31     | 2.6   |        |      | 7.9      | 2485 | 178.64     | 2.9   |        |      | 4.2        | 4755 | 226.34     | 0.85  | F 97       | 6    | 5.0        | 3960 | 188.50 | 1.02  |            |      | 5.3      | 3694  | 175.83 | 1.09  |            |       | 6.0    | 3302  | 157.16   | 1.22 |            |       | 5.1    | 3848  | 276.64   | 1.05 | F 97       | 4     | 5.6   | 3544  | 254.79   | 1.14 |            |       | 6.3    | 3148  | 226.34   | 1.28 |            |       | 7.5    | 2622  | 188.50   | 1.54 |            |       | 8.1        | 2445  | 175.83   | 1.65 | 9.0    | 2186  |            |      | 157.16   | 1.85 | 10     | 1968  | 141.47     | 2.1   |        |       | 11       | 1782 | 128.12     | 2.3   |        |       | 7.2      | 2738 | 196.85     | 1.03  | F 87   | 4     |          |      | 7.9        | 2489  |        |       | 178.95   | 1.13 | 8.9        | 2220  |        |       | 159.61   | 1.27 | 11         | 1866  | 134.16     | 1.51 |          |      |        |       | 12         | 1715 | 126.29     | 1.64 | 13     | 1523  |        |       |            |       | 109.49     | 1.85 | 15     | 1361  |        |       | 97.89      | 2.1   |          |      |        |       | 16         | 1224  |        |       | 88.01    | 2.3  |            |       |        |       | 19       | 1062 | 76.39      | 2.7   | 21     | 951   | 68.40    | 3.0  | 25         | 789   | 56.75  | 3.6   | 28       | 699  | 50.29      | 4.0   | 31         | 629   | 45.22    | 4.2  | 12     | 1592  | 114.45     | 0.89 | F 77       | 4    | 13     | 1508  |       |       | 108.46     | 0.93  | 15       | 1320 |       |       | 94.93      | 1.07  | 17     | 1189  |          |      | 85.52      | 1.19  | 19     | 1043  | 75.02    | 1.35 | 21         | 922   |       |       | 66.28    | 1.53 |            |       |        |       |          |      |            |       |       |       | 24       | 809  | 58.16      | 1.74  | 32     | 624  | 44.84    | 0.90 | F 57       | 4     | 37    | 533  |          |      | 38.30      | 1.06  | 40    | 499  | 35.87    | 1.13 |            |       | 47    | 420  | 30.22    | 1.32 |            |       | 57    | 347  |          |      |            |       |       |      |          |      |            |       | 24.96 | 1.56 |          |      | 67         | 294   | 21.17 | 1.92 | 74       | 266  | 19.11      | 2.1   | 84    | 234  | 16.81    | 2.4  | 89         | 221   | 15.88 | 2.6  | 56       | 355  | 25.54      | 1.06  | F 47  | 4    | 66       | 301  |            |       | 21.66 | 1.25 |          |      | 73         | 272   | 19.56 | 1.38 | 83       | 239  | 17.21      | 1.57  |       |      | 87       | 226  | 16.25      | 1.66  | 103   | 192  |          |      |            |       |       |      | 13.83    | 1.95 | 113        | 175   | 12.57 | 2.2  | 130      | 151  | 10.89      | 2.5   | 156        | 126  | 9.08     | 2.5  | 99         | 199   | 14.33      | 0.94 | F 37     | 4    | 110        | 179   |       |       | 12.87    | 1.05 |            |       |       |       | 128      | 154  |            |       | 11.08 | 1.16 |          |       |            |       | 136   | 145   | 10.42    | 1.20 |            |       |       |      |          |       |            |       |       |      | 158        | 125   | 8.97       | 1.32  | 177   | 111   | 8.01       | 1.43 | 209        | 95    | 6.81  | 1.39 | 232      | 85    | 6.11       | 1.49  |          |       | 269      | 73    | 5.27       | 1.60  | 287  | 69    | 4.95       | 1.64 | 333        | 59    | 4.26       | 1.75 | 373        | 53    | 3.81 | 1.86  | <b>3kW</b> |       |          |       |            |       | <b>3kW</b> |       |            |       |          |      | 1.2        | 20991 | 1169       | 0.81  |          |       | F 157R97   | 4     | 1.2        | 20991 |          |       |          |       | 1169       | 0.81  | 1.5  | 17113 |          |       |          |       | 953  | 0.99  |          |       |          |       | 1.7  | 15173 | 845  | 1.12  | 1.9 | 13719 | 764 | 1.23  | 2.1 | 12211 | 680 | 1.39  | 2.5 | 10343 | 576 | 1.64  | 3.2 | 8009  | 446 | 2.1   | 4.7 | 5405  | 301 | 3.1  | 5.2 | 4884 |
| 3.3           | 5982       | 215.04   | 1.21                   |             |         | 3.6           | 5544       | 199.31     | 1.30                   |             |         | 4.0      | 4969 | 178.64     | 1.45  |          |       | 3.7     | 5363  | 255.25     | 1.35  | F 107 | 6     | 4.4      | 4518 | 215.04     | 1.60  |        |       | 4.7      | 4188 | 199.31     | 1.72  |        |       | 5.3      | 3753 | 178.64     | 1.92  |         |       | 5.6      | 3550 | 255.25     | 2.0   | F 107   | 4     | 6.6      | 2991 | 215.04     | 2.4   |        |       | 7.1      | 2772 | 199.31     | 2.6   |        |      | 7.9      | 2485 | 178.64     | 2.9   |        |      | 4.2      | 4755 | 226.34     | 0.85  | F 97   | 6    | 5.0        | 3960 | 188.50     | 1.02  |            |      | 5.3        | 3694 | 175.83 | 1.09  |            |      | 6.0      | 3302  | 157.16 | 1.22  |            |       | 5.1    | 3848  | 276.64   | 1.05 | F 97       | 4     | 5.6    | 3544  | 254.79   | 1.14 |            |       | 6.3   | 3148  | 226.34   | 1.28 |            |       | 7.5    | 2622  | 188.50   | 1.54 |            |       | 8.1    | 2445  | 175.83   | 1.65 |            |       | 9.0        | 2186  | 157.16   | 1.85 | 10     | 1968  |            |      | 141.47   | 2.1  | 11     | 1782  | 128.12     | 2.3   |        |       | 7.2      | 2738 | 196.85     | 1.03  |        |       | F 87     | 4    | 7.9        | 2489  |        |       | 178.95   | 1.13 | 8.9        | 2220  |        |       | 159.61   | 1.27 | 11         | 1866  |        |       | 134.16   | 1.51 | 12         | 1715  | 126.29     | 1.64 |          |      |        |       | 13         | 1523 | 109.49     | 1.85 | 15     | 1361  |        |       |            |       | 97.89      | 2.1  | 16     | 1224  |        |       | 88.01      | 2.3   |          |      |        |       | 19         | 1062  |        |       | 76.39    | 2.7  |            |       |        |       | 21       | 951  | 68.40      | 3.0   | 25     | 789   | 56.75    | 3.6  | 28         | 699   | 50.29  | 4.0   | 31       | 629  | 45.22      | 4.2   | 12         | 1592  | 114.45   | 0.89 | F 77   | 4     | 13         | 1508 |            |      | 108.46 | 0.93  |       |       | 15         | 1320  | 94.93    | 1.07 |       |       | 17         | 1189  | 85.52  | 1.19  |          |      | 19         | 1043  | 75.02  | 1.35  | 21       | 922  | 66.28      | 1.53  |       |       | 24       | 809  |            |       |        |       |          |      | 58.16      | 1.74  |       |       | 32       | 624  | 44.84      | 0.90  | F 57   | 4    | 37       | 533  |            |       | 38.30 | 1.06 |          |      | 40         | 499   | 35.87 | 1.13 | 47       | 420  |            |       | 30.22 | 1.32 | 57       | 347  |            |       | 24.96 | 1.56 |          |      | 67         | 294   |       |      |          |      |            |       | 21.17 | 1.92 |          |      | 74         | 266   | 19.11 | 2.1  | 84       | 234  | 16.81      | 2.4   | 89    | 221  | 15.88    | 2.6  | 56         | 355   | 25.54 | 1.06 | F 47     | 4    | 66         | 301   |       |      | 21.66    | 1.25 |            |       | 73    | 272  |          |      | 19.56      | 1.38  | 83    | 239  | 17.21    | 1.57 | 87         | 226   |       |      | 16.25    | 1.66 | 103        | 192   | 13.83 | 1.95 |          |      | 113        | 175   |       |      | 12.57    | 2.2  | 130        | 151   | 10.89 | 2.5  | 156      | 126  | 9.08       | 2.5   | 99         | 199  | 14.33    | 0.94 | F 37       | 4     | 110        | 179  |          |      | 12.87      | 1.05  | 128   | 154   | 11.08    | 1.16 |            |       |       |       | 136      | 145  |            |       | 10.42 | 1.20 |          |       |            |       | 158   | 125   | 8.97     | 1.32 |            |       |       |      |          |       |            |       |       |      | 177        | 111   | 8.01       | 1.43  | 209   | 95    | 6.81       | 1.39 | 232        | 85    | 6.11  | 1.49 | 269      | 73    | 5.27       | 1.60  |          |       | 287      | 69    | 4.95       | 1.64  | 333  | 59    | 4.26       | 1.75 | 373        | 53    | 3.81       | 1.86 | <b>3kW</b> |       |      |       |            |       |          |       | <b>3kW</b> |       |            |       |            |       |          |      | 1.2        | 20991 | 1169       | 0.81  |          |       |            |       | F 157R97   | 4     |          |       |          |       | 1.2        | 20991 | 1169 | 0.81  |          |       |          |       | 1.5  | 17113 |          |       |          |       | 953  | 0.99  | 1.7  | 15173 | 845 | 1.12  | 1.9 | 13719 | 764 | 1.23  | 2.1 | 12211 | 680 | 1.39  | 2.5 | 10343 | 576 | 1.64  | 3.2 | 8009  | 446 | 2.1   | 4.7 | 5405 | 301 | 3.1  |
| 3.6           | 5544       | 199.31   | 1.30                   |             |         | 4.0           | 4969       | 178.64     | 1.45                   |             |         | 3.7      | 5363 | 255.25     | 1.35  | F 107    | 6     | 4.4     | 4518  | 215.04     | 1.60  |       |       | 4.7      | 4188 | 199.31     | 1.72  |        |       | 5.3      | 3753 | 178.64     | 1.92  |        |       | 5.6      | 3550 | 255.25     | 2.0   | F 107   | 4     | 6.6      | 2991 | 215.04     | 2.4   |         |       | 7.1      | 2772 | 199.31     | 2.6   |        |       | 7.9      | 2485 | 178.64     | 2.9   |        |      | 4.2      | 4755 | 226.34     | 0.85  | F 97   | 6    | 5.0      | 3960 | 188.50     | 1.02  |        |      | 5.3        | 3694 | 175.83     | 1.09  |            |      | 6.0        | 3302 | 157.16 | 1.22  |            |      | 5.1      | 3848  | 276.64 | 1.05  | F 97       | 4     | 5.6    | 3544  | 254.79   | 1.14 |            |       | 6.3    | 3148  | 226.34   | 1.28 |            |       | 7.5   | 2622  | 188.50   | 1.54 |            |       | 8.1    | 2445  | 175.83   | 1.65 |            |       | 9.0    | 2186  | 157.16   | 1.85 |            |       | 10         | 1968  | 141.47   | 2.1  | 11     | 1782  |            |      | 128.12   | 2.3  | 7.2    | 2738  | 196.85     | 1.03  |        |       | F 87     | 4    | 7.9        | 2489  | 178.95 | 1.13  |          |      | 8.9        | 2220  |        |       | 159.61   | 1.27 | 11         | 1866  |        |       | 134.16   | 1.51 | 12         | 1715  |        |       | 126.29   | 1.64 | 13         | 1523  | 109.49     | 1.85 |          |      |        |       | 15         | 1361 | 97.89      | 2.1  | 16     | 1224  |        |       |            |       | 88.01      | 2.3  | 19     | 1062  |        |       | 76.39      | 2.7   |          |      |        |       | 21         | 951   |        |       | 68.40    | 3.0  |            |       |        |       | 25       | 789  | 56.75      | 3.6   | 28     | 699   | 50.29    | 4.0  | 31         | 629   | 45.22  | 4.2   | 12       | 1592 | 114.45     | 0.89  | F 77       | 4     | 13       | 1508 |        |       | 108.46     | 0.93 |            |      | 15     | 1320  |       |       | 94.93      | 1.07  | 17       | 1189 |       |       | 85.52      | 1.19  | 19     | 1043  |          |      | 75.02      | 1.35  | 21     | 922   | 66.28    | 1.53 | 24         | 809   |       |       | 58.16    | 1.74 |            |       |        |       |          |      | 32         | 624   | 44.84 | 0.90  | F 57     | 4    | 37         | 533   |        |      | 38.30    | 1.06 |            |       | 40    | 499  |          |      | 35.87      | 1.13  | 47    | 420  | 30.22    | 1.32 |            |       | 57    | 347  | 24.96    | 1.56 |            |       | 67    | 294  |          |      | 21.17      | 1.92  |       |      | 74       | 266  |            |       | 19.11 | 2.1  |          |      | 84         | 234   | 16.81 | 2.4  | 89       | 221  | 15.88      | 2.6   | 56    | 355  | 25.54    | 1.06 | F 47       | 4     | 66    | 301  |          |      | 21.66      | 1.25  |       |      | 73       | 272  |            |       | 19.56 | 1.38 |          |      | 83         | 239   | 17.21 | 1.57 | 87       | 226  | 16.25      | 1.66  |       |      | 103      | 192  | 13.83      | 1.95  | 113   | 175  |          |      | 12.57      | 2.2   | 130   | 151  | 10.89    | 2.5  | 156        | 126   | 9.08  | 2.5  | 99       | 199  | 14.33      | 0.94  | F 37       | 4    | 110      | 179  |            |       | 12.87      | 1.05 |          |      | 128        | 154   | 11.08 | 1.16  | 136      | 145  | 10.42      | 1.20  |       |       | 158      | 125  | 8.97       | 1.32  | 177   | 111  |          |       |            |       | 8.01  | 1.43  | 209      | 95   |            |       |       |      |          |       |            |       |       |      | 6.81       | 1.39  | 232        | 85    | 6.11  | 1.49  | 269        | 73   | 5.27       | 1.60  | 287   | 69   | 4.95     | 1.64  | 333        | 59    |          |       | 4.26     | 1.75  | 373        | 53    | 3.81 | 1.86  | <b>3kW</b> |      |            |       |            |      | <b>3kW</b> |       |      |       |            |       |          |       | 1.2        | 20991 | 1169       | 0.81  | F 157R97   | 4     |          |      | 1.2        | 20991 | 1169       | 0.81  |          |       |            |       |            |       |          |       |          |       | 1.5        | 17113 | 953  | 0.99  |          |       |          |       | 1.7  | 15173 |          |       |          |       | 845  | 1.12  | 1.9  | 13719 | 764 | 1.23  | 2.1 | 12211 | 680 | 1.39  | 2.5 | 10343 | 576 | 1.64  | 3.2 | 8009  | 446 | 2.1   | 4.7 | 5405  | 301 | 3.1   | 5.2 | 4884 | 272 | 3.5  |
| 4.0           | 4969       | 178.64   | 1.45                   |             |         | 3.7           | 5363       | 255.25     | 1.35                   | F 107       | 6       | 4.4      | 4518 | 215.04     | 1.60  |          |       | 4.7     | 4188  | 199.31     | 1.72  |       |       | 5.3      | 3753 | 178.64     | 1.92  |        |       | 5.6      | 3550 | 255.25     | 2.0   | F 107  | 4     | 6.6      | 2991 | 215.04     | 2.4   |         |       | 7.1      | 2772 | 199.31     | 2.6   |         |       | 7.9      | 2485 | 178.64     | 2.9   |        |       | 4.2      | 4755 | 226.34     | 0.85  | F 97   | 6    | 5.0      | 3960 | 188.50     | 1.02  |        |      | 5.3      | 3694 | 175.83     | 1.09  |        |      | 6.0        | 3302 | 157.16     | 1.22  |            |      | 5.1        | 3848 | 276.64 | 1.05  | F 97       | 4    | 5.6      | 3544  | 254.79 | 1.14  |            |       | 6.3    | 3148  | 226.34   | 1.28 |            |       | 7.5    | 2622  | 188.50   | 1.54 |            |       | 8.1   | 2445  | 175.83   | 1.65 |            |       | 9.0    | 2186  | 157.16   | 1.85 |            |       | 10     | 1968  | 141.47   | 2.1  |            |       | 11         | 1782  | 128.12   | 2.3  | 7.2    | 2738  |            |      | 196.85   | 1.03 | F 87   | 4     | 7.9        | 2489  | 178.95 | 1.13  |          |      | 8.9        | 2220  | 159.61 | 1.27  |          |      | 11         | 1866  |        |       | 134.16   | 1.51 | 12         | 1715  |        |       | 126.29   | 1.64 | 13         | 1523  |        |       | 109.49   | 1.85 | 15         | 1361  | 97.89      | 2.1  | 16       | 1224 |        |       | 88.01      | 2.3  | 19         | 1062 | 76.39  | 2.7   |        |       |            |       | 21         | 951  | 68.40  | 3.0   |        |       | 25         | 789   |          |      |        |       | 56.75      | 3.6   |        |       | 28       | 699  |            |       |        |       | 50.29    | 4.0  | 31         | 629   | 45.22  | 4.2   | 12       | 1592 | 114.45     | 0.89  | F 77   | 4     | 13       | 1508 | 108.46     | 0.93  |            |       | 15       | 1320 |        |       | 94.93      | 1.07 |            |      | 17     | 1189  |       |       | 85.52      | 1.19  | 19       | 1043 |       |       | 75.02      | 1.35  | 21     | 922   |          |      | 66.28      | 1.53  | 24     | 809   | 58.16    | 1.74 | 32         | 624   |       |       | 44.84    | 0.90 |            |       |        |       | F 57     | 4    | 37         | 533   | 38.30 | 1.06  |          |      | 40         | 499   |        |      | 35.87    | 1.13 |            |       | 47    | 420  |          |      | 30.22      | 1.32  | 57    | 347  | 24.96    | 1.56 |            |       | 67    | 294  | 21.17    | 1.92 |            |       | 74    | 266  |          |      | 19.11      | 2.1   |       |      | 84       | 234  | 16.81      | 2.4   | 89    | 221  |          |      | 15.88      | 2.6   | 56    | 355  | 25.54    | 1.06 | F 47       | 4     | 66    | 301  | 21.66    | 1.25 |            |       | 73    | 272  |          |      | 19.56      | 1.38  |       |      | 83       | 239  |            |       | 17.21 | 1.57 |          |      | 87         | 226   | 16.25 | 1.66 | 103      | 192  | 13.83      | 1.95  |       |      | 113      | 175  | 12.57      | 2.2   | 130   | 151  | 10.89    | 2.5  | 156        | 126   | 9.08  | 2.5  | 99       | 199  | 14.33      | 0.94  | F 37  | 4    | 110      | 179  | 12.87      | 1.05  |            |      | 128      | 154  |            |       | 11.08      | 1.16 |          |      | 136        | 145   | 10.42 | 1.20  | 158      | 125  | 8.97       | 1.32  |       |       | 177      | 111  | 8.01       | 1.43  | 209   | 95   |          |       | 6.81       | 1.39  | 232   | 85    | 6.11     | 1.49 |            |       |       |      | 269      | 73    |            |       |       |      | 5.27       | 1.60  | 287        | 69    | 4.95  | 1.64  | 333        | 59   | 4.26       | 1.75  | 373   | 53   | 3.81     | 1.86  | <b>3kW</b> |       |          |       |          |       | <b>3kW</b> |       |      |       |            |      | 1.2        | 20991 | 1169       | 0.81 | F 157R97   | 4     | 1.2  | 20991 | 1169       | 0.81  |          |       | 1.5        | 17113 | 953        | 0.99  |            |       |          |      | 1.7        | 15173 | 845        | 1.12  |          |       |            |       |            |       |          |       |          |       | 1.9        | 13719 | 764  | 1.23  |          |       |          |       | 2.1  | 12211 |          |       |          |       | 680  | 1.39  | 2.5  | 10343 | 576 | 1.64  | 3.2 | 8009  | 446 | 2.1   | 4.7 | 5405  | 301 | 3.1   | 5.2 | 4884  | 272 | 3.5   | 6.1 | 4148  | 231 | 4.1   | 7.2 | 3520 | 196 | 4.8  |
| 3.7           | 5363       | 255.25   | 1.35                   | F 107       | 6       | 4.4           | 4518       | 215.04     | 1.60                   |             |         | 4.7      | 4188 | 199.31     | 1.72  |          |       | 5.3     | 3753  | 178.64     | 1.92  |       |       | 5.6      | 3550 | 255.25     | 2.0   | F 107  | 4     | 6.6      | 2991 | 215.04     | 2.4   |        |       | 7.1      | 2772 | 199.31     | 2.6   |         |       | 7.9      | 2485 | 178.64     | 2.9   |         |       | 4.2      | 4755 | 226.34     | 0.85  | F 97   | 6     | 5.0      | 3960 | 188.50     | 1.02  |        |      | 5.3      | 3694 | 175.83     | 1.09  |        |      | 6.0      | 3302 | 157.16     | 1.22  |        |      | 5.1        | 3848 | 276.64     | 1.05  | F 97       | 4    | 5.6        | 3544 | 254.79 | 1.14  |            |      | 6.3      | 3148  | 226.34 | 1.28  |            |       | 7.5    | 2622  | 188.50   | 1.54 |            |       | 8.1    | 2445  | 175.83   | 1.65 |            |       | 9.0   | 2186  | 157.16   | 1.85 |            |       | 10     | 1968  | 141.47   | 2.1  |            |       | 11     | 1782  | 128.12   | 2.3  |            |       | 7.2        | 2738  | 196.85   | 1.03 | F 87   | 4     | 7.9        | 2489 | 178.95   | 1.13 |        |       | 8.9        | 2220  | 159.61 | 1.27  |          |      | 11         | 1866  | 134.16 | 1.51  |          |      | 12         | 1715  |        |       | 126.29   | 1.64 | 13         | 1523  |        |       | 109.49   | 1.85 | 15         | 1361  |        |       | 97.89    | 2.1  | 16         | 1224  | 88.01      | 2.3  | 19       | 1062 |        |       | 76.39      | 2.7  | 21         | 951  | 68.40  | 3.0   |        |       | 25         | 789   | 56.75      | 3.6  | 28     | 699   |        |       | 50.29      | 4.0   |          |      |        |       | 31         | 629   |        |       | 45.22    | 4.2  |            |       |        |       | 12       | 1592 | 114.45     | 0.89  | F 77   | 4     | 13       | 1508 | 108.46     | 0.93  |        |       | 15       | 1320 | 94.93      | 1.07  |            |       | 17       | 1189 |        |       | 85.52      | 1.19 |            |      | 19     | 1043  |       |       | 75.02      | 1.35  | 21       | 922  |       |       | 66.28      | 1.53  | 24     | 809   |          |      | 58.16      | 1.74  | 32     | 624   | 44.84    | 0.90 | F 57       | 4     |       |       | 37       | 533  |            |       | 38.30  | 1.06  |          |      | 40         | 499   | 35.87 | 1.13  |          |      | 47         | 420   |        |      | 30.22    | 1.32 |            |       | 57    | 347  |          |      | 24.96      | 1.56  | 67    | 294  | 21.17    | 1.92 |            |       | 74    | 266  | 19.11    | 2.1  |            |       | 84    | 234  |          |      | 16.81      | 2.4   |       |      | 89       | 221  | 15.88      | 2.6   | 56    | 355  | 25.54    | 1.06 | F 47       | 4     | 66    | 301  | 21.66    | 1.25 |            |       | 73    | 272  | 19.56    | 1.38 |            |       | 83    | 239  |          |      | 17.21      | 1.57  |       |      | 87       | 226  |            |       | 16.25 | 1.66 |          |      | 103        | 192   | 13.83 | 1.95 | 113      | 175  | 12.57      | 2.2   | 130   | 151  | 10.89    | 2.5  | 156        | 126   | 9.08  | 2.5  | 99       | 199  | 14.33      | 0.94  | F 37  | 4    | 110      | 179  | 12.87      | 1.05  |       |      | 128      | 154  | 11.08      | 1.16  |            |      | 136      | 145  |            |       | 10.42      | 1.20 |          |      | 158        | 125   | 8.97  | 1.32  | 177      | 111  | 8.01       | 1.43  |       |       | 209      | 95   | 6.81       | 1.39  | 232   | 85   |          |       | 6.11       | 1.49  | 269   | 73    | 5.27     | 1.60 | 287        | 69    |       |      | 4.95     | 1.64  |            |       |       |      | 333        | 59    | 4.26       | 1.75  | 373   | 53    | 3.81       | 1.86 | <b>3kW</b> |       |       |      |          |       | <b>3kW</b> |       |          |       |          |       | 1.2        | 20991 | 1169 | 0.81  | F 157R97   | 4    | 1.2        | 20991 | 1169       | 0.81 |            |       | 1.5  | 17113 | 953        | 0.99  |          |       | 1.7        | 15173 | 845        | 1.12  |            |       |          |      | 1.9        | 13719 | 764        | 1.23  |          |       |            |       |            |       |          |       |          |       | 2.1        | 12211 | 680  | 1.39  |          |       |          |       | 2.5  | 10343 |          |       |          |       | 576  | 1.64  | 3.2  | 8009  | 446 | 2.1   | 4.7 | 5405  | 301 | 3.1   | 5.2 | 4884  | 272 | 3.5   | 6.1 | 4148  | 231 | 4.1   | 7.2 | 3520  | 196 | 4.8   |     |      |     |      |
| 4.4           | 4518       | 215.04   | 1.60                   |             |         | 4.7           | 4188       | 199.31     | 1.72                   |             |         | 5.3      | 3753 | 178.64     | 1.92  |          |       | 5.6     | 3550  | 255.25     | 2.0   | F 107 | 4     | 6.6      | 2991 | 215.04     | 2.4   |        |       | 7.1      | 2772 | 199.31     | 2.6   |        |       | 7.9      | 2485 | 178.64     | 2.9   |         |       | 4.2      | 4755 | 226.34     | 0.85  | F 97    | 6     | 5.0      | 3960 | 188.50     | 1.02  |        |       | 5.3      | 3694 | 175.83     | 1.09  |        |      | 6.0      | 3302 | 157.16     | 1.22  |        |      | 5.1      | 3848 | 276.64     | 1.05  | F 97   | 4    | 5.6        | 3544 | 254.79     | 1.14  |            |      | 6.3        | 3148 | 226.34 | 1.28  |            |      | 7.5      | 2622  | 188.50 | 1.54  |            |       | 8.1    | 2445  | 175.83   | 1.65 |            |       | 9.0    | 2186  | 157.16   | 1.85 |            |       | 10    | 1968  | 141.47   | 2.1  |            |       | 11     | 1782  | 128.12   | 2.3  |            |       | 7.2    | 2738  | 196.85   | 1.03 | F 87       | 4     | 7.9        | 2489  | 178.95   | 1.13 |        |       | 8.9        | 2220 | 159.61   | 1.27 |        |       | 11         | 1866  | 134.16 | 1.51  |          |      | 12         | 1715  | 126.29 | 1.64  |          |      | 13         | 1523  |        |       | 109.49   | 1.85 | 15         | 1361  |        |       | 97.89    | 2.1  | 16         | 1224  |        |       | 88.01    | 2.3  | 19         | 1062  | 76.39      | 2.7  | 21       | 951  |        |       | 68.40      | 3.0  | 25         | 789  | 56.75  | 3.6   |        |       | 28         | 699   | 50.29      | 4.0  | 31     | 629   |        |       | 45.22      | 4.2   |          |      | 12     | 1592  | 114.45     | 0.89  |        |       | F 77     | 4    |            |       |        |       | 13       | 1508 | 108.46     | 0.93  |        |       | 15       | 1320 | 94.93      | 1.07  |        |       | 17       | 1189 | 85.52      | 1.19  |            |       | 19       | 1043 |        |       | 75.02      | 1.35 |            |      | 21     | 922   |       |       | 66.28      | 1.53  | 24       | 809  |       |       | 58.16      | 1.74  | 32     | 624   |          |      | 44.84      | 0.90  | F 57   | 4     | 37       | 533  |            |       |       |       | 38.30    | 1.06 | 40         | 499   | 35.87  | 1.13  |          |      | 47         | 420   | 30.22 | 1.32  |          |      | 57         | 347   |        |      | 24.96    | 1.56 |            |       | 67    | 294  |          |      | 21.17      | 1.92  | 74    | 266  | 19.11    | 2.1  |            |       | 84    | 234  | 16.81    | 2.4  |            |       | 89    | 221  |          |      | 15.88      | 2.6   | 56    | 355  | 25.54    | 1.06 | F 47       | 4     | 66    | 301  | 21.66    | 1.25 |            |       | 73    | 272  | 19.56    | 1.38 |            |       | 83    | 239  | 17.21    | 1.57 |            |       | 87    | 226  |          |      | 16.25      | 1.66  |       |      | 103      | 192  |            |       | 13.83 | 1.95 | 113      | 175  | 12.57      | 2.2   | 130   | 151  | 10.89    | 2.5  | 156        | 126   | 9.08  | 2.5  | 99       | 199  | 14.33      | 0.94  | F 37  | 4    | 110      | 179  | 12.87      | 1.05  |       |      | 128      | 154  | 11.08      | 1.16  |       |      | 136      | 145  | 10.42      | 1.20  |            |      | 158      | 125  |            |       | 8.97       | 1.32 |          |      | 177        | 111   | 8.01  | 1.43  | 209      | 95   | 6.81       | 1.39  |       |       | 232      | 85   | 6.11       | 1.49  | 269   | 73   |          |       | 5.27       | 1.60  | 287   | 69    | 4.95     | 1.64 | 333        | 59    |       |      | 4.26     | 1.75  | 373        | 53    |       |      | 3.81       | 1.86  | <b>3kW</b> |       |       |       |            |      | <b>3kW</b> |       |       |      |          |       | 1.2        | 20991 | 1169     | 0.81  | F 157R97 | 4     | 1.2        | 20991 | 1169 | 0.81  |            |      | 1.5        | 17113 | 953        | 0.99 |            |       | 1.7  | 15173 | 845        | 1.12  | 1.9      | 13719 | 764        | 1.23  | 2.1        | 12211 |            |       |          |      | 680        | 1.39  | 2.5        | 10343 |          |       |            |       |            |       |          |       |          |       | 576        | 1.64  | 3.2  | 8009  |          |       |          |       | 446  | 2.1   |          |       |          |       | 4.7  | 5405  | 301  | 3.1   | 5.2 | 4884  | 272 | 3.5   | 6.1 | 4148  | 231 | 4.1   | 7.2 | 3520  | 196 | 4.8   |     |       |     |       |     |       |     |      |     |      |
| 4.7           | 4188       | 199.31   | 1.72                   |             |         | 5.3           | 3753       | 178.64     | 1.92                   |             |         | 5.6      | 3550 | 255.25     | 2.0   | F 107    | 4     | 6.6     | 2991  | 215.04     | 2.4   |       |       | 7.1      | 2772 | 199.31     | 2.6   |        |       | 7.9      | 2485 | 178.64     | 2.9   |        |       | 4.2      | 4755 | 226.34     | 0.85  | F 97    | 6     | 5.0      | 3960 | 188.50     | 1.02  |         |       | 5.3      | 3694 | 175.83     | 1.09  |        |       | 6.0      | 3302 | 157.16     | 1.22  |        |      | 5.1      | 3848 | 276.64     | 1.05  | F 97   | 4    | 5.6      | 3544 | 254.79     | 1.14  |        |      | 6.3        | 3148 | 226.34     | 1.28  |            |      | 7.5        | 2622 | 188.50 | 1.54  |            |      | 8.1      | 2445  | 175.83 | 1.65  |            |       | 9.0    | 2186  | 157.16   | 1.85 |            |       | 10     | 1968  | 141.47   | 2.1  |            |       | 11    | 1782  | 128.12   | 2.3  |            |       | 7.2    | 2738  | 196.85   | 1.03 | F 87       | 4     | 7.9    | 2489  | 178.95   | 1.13 |            |       | 8.9        | 2220  | 159.61   | 1.27 |        |       | 11         | 1866 | 134.16   | 1.51 |        |       | 12         | 1715  | 126.29 | 1.64  |          |      | 13         | 1523  | 109.49 | 1.85  |          |      | 15         | 1361  |        |       | 97.89    | 2.1  | 16         | 1224  |        |       | 88.01    | 2.3  | 19         | 1062  |        |       | 76.39    | 2.7  | 21         | 951   | 68.40      | 3.0  | 25       | 789  |        |       | 56.75      | 3.6  | 28         | 699  | 50.29  | 4.0   |        |       | 31         | 629   | 45.22      | 4.2  | 12     | 1592  |        |       | 114.45     | 0.89  |          |      | F 77   | 4     | 13         | 1508  |        |       |          |      |            |       | 108.46 | 0.93  | 15       | 1320 | 94.93      | 1.07  |        |       | 17       | 1189 | 85.52      | 1.19  |        |       | 19       | 1043 | 75.02      | 1.35  |            |       | 21       | 922  |        |       | 66.28      | 1.53 |            |      | 24     | 809   |       |       | 58.16      | 1.74  | 32       | 624  |       |       | 44.84      | 0.90  | F 57   | 4     |          |      | 37         | 533   |        |       | 38.30    | 1.06 |            |       | 40    | 499   | 35.87    | 1.13 | 47         | 420   | 30.22  | 1.32  |          |      | 57         | 347   | 24.96 | 1.56  |          |      | 67         | 294   |        |      | 21.17    | 1.92 |            |       | 74    | 266  |          |      | 19.11      | 2.1   | 84    | 234  | 16.81    | 2.4  |            |       | 89    | 221  | 15.88    | 2.6  |            |       | 56    | 355  | 25.54    | 1.06 | F 47       | 4     | 66    | 301  | 21.66    | 1.25 |            |       | 73    | 272  | 19.56    | 1.38 |            |       | 83    | 239  | 17.21    | 1.57 |            |       | 87    | 226  | 16.25    | 1.66 |            |       | 103   | 192  |          |      | 13.83      | 1.95  |       |      | 113      | 175  | 12.57      | 2.2   | 130   | 151  | 10.89    | 2.5  | 156        | 126   | 9.08  | 2.5  | 99       | 199  | 14.33      | 0.94  | F 37  | 4    | 110      | 179  | 12.87      | 1.05  |       |      | 128      | 154  | 11.08      | 1.16  |       |      | 136      | 145  | 10.42      | 1.20  |       |      | 158      | 125  | 8.97       | 1.32  |            |      | 177      | 111  |            |       | 8.01       | 1.43 |          |      | 209        | 95    | 6.81  | 1.39  | 232      | 85   | 6.11       | 1.49  |       |       | 269      | 73   | 5.27       | 1.60  | 287   | 69   |          |       | 4.95       | 1.64  | 333   | 59    | 4.26     | 1.75 | 373        | 53    |       |      | 3.81     | 1.86  | <b>3kW</b> |       |       |      |            |       | <b>3kW</b> |       |       |       |            |      | 1.2        | 20991 | 1169  | 0.81 | F 157R97 | 4     | 1.2        | 20991 | 1169     | 0.81  |          |       | 1.5        | 17113 | 953  | 0.99  |            |      | 1.7        | 15173 | 845        | 1.12 |            |       | 1.9  | 13719 | 764        | 1.23  | 2.1      | 12211 | 680        | 1.39  | 2.5        | 10343 |            |       | 576      | 1.64 | 3.2        | 8009  | 446        | 2.1   |          |       |            |       |            |       |          |       |          |       | 4.7        | 5405  | 301  | 3.1   |          |       |          |       | 5.2  | 4884  |          |       |          |       | 272  | 3.5   | 6.1  | 4148  | 231 | 4.1   | 7.2 | 3520  | 196 | 4.8   |     |       |     |       |     |       |     |       |     |       |     |       |     |      |     |      |
| 5.3           | 3753       | 178.64   | 1.92                   |             |         | 5.6           | 3550       | 255.25     | 2.0                    | F 107       | 4       | 6.6      | 2991 | 215.04     | 2.4   |          |       | 7.1     | 2772  | 199.31     | 2.6   |       |       | 7.9      | 2485 | 178.64     | 2.9   |        |       | 4.2      | 4755 | 226.34     | 0.85  | F 97   | 6     | 5.0      | 3960 | 188.50     | 1.02  |         |       | 5.3      | 3694 | 175.83     | 1.09  |         |       | 6.0      | 3302 | 157.16     | 1.22  |        |       | 5.1      | 3848 | 276.64     | 1.05  | F 97   | 4    | 5.6      | 3544 | 254.79     | 1.14  |        |      | 6.3      | 3148 | 226.34     | 1.28  |        |      | 7.5        | 2622 | 188.50     | 1.54  |            |      | 8.1        | 2445 | 175.83 | 1.65  |            |      | 9.0      | 2186  | 157.16 | 1.85  |            |       | 10     | 1968  | 141.47   | 2.1  |            |       | 11     | 1782  | 128.12   | 2.3  |            |       | 7.2   | 2738  | 196.85   | 1.03 | F 87       | 4     | 7.9    | 2489  | 178.95   | 1.13 |            |       | 8.9    | 2220  | 159.61   | 1.27 |            |       | 11         | 1866  | 134.16   | 1.51 |        |       | 12         | 1715 | 126.29   | 1.64 |        |       | 13         | 1523  | 109.49 | 1.85  |          |      | 15         | 1361  | 97.89  | 2.1   |          |      | 16         | 1224  |        |       | 88.01    | 2.3  | 19         | 1062  |        |       | 76.39    | 2.7  | 21         | 951   |        |       | 68.40    | 3.0  | 25         | 789   | 56.75      | 3.6  | 28       | 699  |        |       | 50.29      | 4.0  | 31         | 629  | 45.22  | 4.2   |        |       | 12         | 1592  | 114.45     | 0.89 | F 77   | 4     |        |       | 13         | 1508  |          |      |        |       | 108.46     | 0.93  |        |       |          |      | 15         | 1320  | 94.93  | 1.07  | 17       | 1189 | 85.52      | 1.19  |        |       | 19       | 1043 | 75.02      | 1.35  |        |       | 21       | 922  | 66.28      | 1.53  |            |       | 24       | 809  |        |       | 58.16      | 1.74 |            |      | 32     | 624   |       |       | 44.84      | 0.90  | F 57     | 4    |       |       | 37         | 533   |        |       | 38.30    | 1.06 | 40         | 499   |        |       | 35.87    | 1.13 |            |       | 47    | 420   | 30.22    | 1.32 | 57         | 347   | 24.96  | 1.56  |          |      | 67         | 294   | 21.17 | 1.92  |          |      | 74         | 266   |        |      | 19.11    | 2.1  |            |       | 84    | 234  |          |      | 16.81      | 2.4   | 89    | 221  | 15.88    | 2.6  |            |       | 56    | 355  | 25.54    | 1.06 | F 47       | 4     | 66    | 301  | 21.66    | 1.25 |            |       | 73    | 272  | 19.56    | 1.38 |            |       | 83    | 239  | 17.21    | 1.57 |            |       | 87    | 226  | 16.25    | 1.66 |            |       | 103   | 192  | 13.83    | 1.95 |            |       | 113   | 175  |          |      | 12.57      | 2.2   | 130   | 151  | 10.89    | 2.5  | 156        | 126   | 9.08  | 2.5  | 99       | 199  | 14.33      | 0.94  | F 37  | 4    | 110      | 179  | 12.87      | 1.05  |       |      | 128      | 154  | 11.08      | 1.16  |       |      | 136      | 145  | 10.42      | 1.20  |       |      | 158      | 125  | 8.97       | 1.32  |       |      | 177      | 111  | 8.01       | 1.43  |            |      | 209      | 95   |            |       | 6.81       | 1.39 |          |      | 232        | 85    | 6.11  | 1.49  | 269      | 73   | 5.27       | 1.60  |       |       | 287      | 69   | 4.95       | 1.64  | 333   | 59   |          |       | 4.26       | 1.75  | 373   | 53    | 3.81     | 1.86 | <b>3kW</b> |       |       |      |          |       | <b>3kW</b> |       |       |      |            |       | 1.2        | 20991 | 1169  | 0.81  | F 157R97   | 4    | 1.2        | 20991 | 1169  | 0.81 |          |       | 1.5        | 17113 | 953      | 0.99  |          |       | 1.7        | 15173 | 845  | 1.12  |            |      | 1.9        | 13719 | 764        | 1.23 |            |       | 2.1  | 12211 | 680        | 1.39  | 2.5      | 10343 | 576        | 1.64  | 3.2        | 8009  |            |       | 446      | 2.1  | 4.7        | 5405  | 301        | 3.1   | 5.2      | 4884  |            |       |            |       |          |       |          |       | 272        | 3.5   | 6.1  | 4148  |          |       |          |       | 231  | 4.1   |          |       |          |       | 7.2  | 3520  | 196  | 4.8   |     |       |     |       |     |       |     |       |     |       |     |       |     |       |     |       |     |       |     |      |     |      |
| 5.6           | 3550       | 255.25   | 2.0                    | F 107       | 4       | 6.6           | 2991       | 215.04     | 2.4                    |             |         | 7.1      | 2772 | 199.31     | 2.6   |          |       | 7.9     | 2485  | 178.64     | 2.9   |       |       | 4.2      | 4755 | 226.34     | 0.85  | F 97   | 6     | 5.0      | 3960 | 188.50     | 1.02  |        |       | 5.3      | 3694 | 175.83     | 1.09  |         |       | 6.0      | 3302 | 157.16     | 1.22  |         |       | 5.1      | 3848 | 276.64     | 1.05  | F 97   | 4     | 5.6      | 3544 | 254.79     | 1.14  |        |      | 6.3      | 3148 | 226.34     | 1.28  |        |      | 7.5      | 2622 | 188.50     | 1.54  |        |      | 8.1        | 2445 | 175.83     | 1.65  |            |      | 9.0        | 2186 | 157.16 | 1.85  |            |      | 10       | 1968  | 141.47 | 2.1   |            |       | 11     | 1782  | 128.12   | 2.3  |            |       | 7.2    | 2738  | 196.85   | 1.03 | F 87       | 4     | 7.9   | 2489  | 178.95   | 1.13 |            |       | 8.9    | 2220  | 159.61   | 1.27 |            |       | 11     | 1866  | 134.16   | 1.51 |            |       | 12         | 1715  | 126.29   | 1.64 |        |       | 13         | 1523 | 109.49   | 1.85 |        |       | 15         | 1361  | 97.89  | 2.1   |          |      | 16         | 1224  | 88.01  | 2.3   |          |      | 19         | 1062  |        |       | 76.39    | 2.7  | 21         | 951   |        |       | 68.40    | 3.0  | 25         | 789   |        |       | 56.75    | 3.6  | 28         | 699   | 50.29      | 4.0  | 31       | 629  |        |       | 45.22      | 4.2  | 12         | 1592 | 114.45 | 0.89  |        |       | F 77       | 4     | 13         | 1508 |        |       |        |       | 108.46     | 0.93  |          |      |        |       | 15         | 1320  | 94.93  | 1.07  |          |      | 17         | 1189  | 85.52  | 1.19  | 19       | 1043 | 75.02      | 1.35  |        |       | 21       | 922  | 66.28      | 1.53  |        |       | 24       | 809  | 58.16      | 1.74  |            |       | 32       | 624  |        |       | 44.84      | 0.90 |            |      | F 57   | 4     |       |       | 37         | 533   |          |      | 38.30 | 1.06  | 40         | 499   |        |       | 35.87    | 1.13 | 47         | 420   |        |       | 30.22    | 1.32 |            |       | 57    | 347   | 24.96    | 1.56 | 67         | 294   | 21.17  | 1.92  |          |      | 74         | 266   | 19.11 | 2.1   |          |      | 84         | 234   |        |      | 16.81    | 2.4  |            |       | 89    | 221  |          |      | 15.88      | 2.6   | 56    | 355  | 25.54    | 1.06 | F 47       | 4     | 66    | 301  | 21.66    | 1.25 |            |       | 73    | 272  | 19.56    | 1.38 |            |       | 83    | 239  | 17.21    | 1.57 |            |       | 87    | 226  | 16.25    | 1.66 |            |       | 103   | 192  | 13.83    | 1.95 |            |       | 113   | 175  | 12.57    | 2.2  |            |       | 130   | 151  | 10.89    | 2.5  | 156        | 126   | 9.08  | 2.5  | 99       | 199  | 14.33      | 0.94  | F 37  | 4    | 110      | 179  | 12.87      | 1.05  |       |      | 128      | 154  | 11.08      | 1.16  |       |      | 136      | 145  | 10.42      | 1.20  |       |      | 158      | 125  | 8.97       | 1.32  |       |      | 177      | 111  | 8.01       | 1.43  |       |      | 209      | 95   | 6.81       | 1.39  |            |      | 232      | 85   |            |       | 6.11       | 1.49 |          |      | 269        | 73    | 5.27  | 1.60  | 287      | 69   | 4.95       | 1.64  |       |       | 333      | 59   | 4.26       | 1.75  | 373   | 53   | 3.81     | 1.86  | <b>3kW</b> |       |       |       |          |      | <b>3kW</b> |       |       |      |          |       | 1.2        | 20991 | 1169  | 0.81 | F 157R97   | 4     | 1.2        | 20991 | 1169  | 0.81  |            |      | 1.5        | 17113 | 953   | 0.99 |          |       | 1.7        | 15173 | 845      | 1.12  |          |       | 1.9        | 13719 | 764  | 1.23  |            |      | 2.1        | 12211 | 680        | 1.39 |            |       | 2.5  | 10343 | 576        | 1.64  | 3.2      | 8009  | 446        | 2.1   | 4.7        | 5405  |            |       | 301      | 3.1  | 5.2        | 4884  | 272        | 3.5   | 6.1      | 4148  |            |       |            |       |          |       | 231      | 4.1   | 7.2        | 3520  | 196  | 4.8   |          |       |          |       |      |       |          |       |          |       |      |       |      |       |     |       |     |       |     |       |     |       |     |       |     |       |     |       |     |       |     |       |     |      |     |      |
| 6.6           | 2991       | 215.04   | 2.4                    |             |         | 7.1           | 2772       | 199.31     | 2.6                    |             |         | 7.9      | 2485 | 178.64     | 2.9   |          |       | 4.2     | 4755  | 226.34     | 0.85  | F 97  | 6     | 5.0      | 3960 | 188.50     | 1.02  |        |       | 5.3      | 3694 | 175.83     | 1.09  |        |       | 6.0      | 3302 | 157.16     | 1.22  |         |       | 5.1      | 3848 | 276.64     | 1.05  | F 97    | 4     | 5.6      | 3544 | 254.79     | 1.14  |        |       | 6.3      | 3148 | 226.34     | 1.28  |        |      | 7.5      | 2622 | 188.50     | 1.54  |        |      | 8.1      | 2445 | 175.83     | 1.65  |        |      | 9.0        | 2186 | 157.16     | 1.85  |            |      | 10         | 1968 | 141.47 | 2.1   |            |      | 11       | 1782  | 128.12 | 2.3   |            |       | 7.2    | 2738  | 196.85   | 1.03 | F 87       | 4     | 7.9    | 2489  | 178.95   | 1.13 |            |       | 8.9   | 2220  | 159.61   | 1.27 |            |       | 11     | 1866  | 134.16   | 1.51 |            |       | 12     | 1715  | 126.29   | 1.64 |            |       | 13         | 1523  | 109.49   | 1.85 |        |       | 15         | 1361 | 97.89    | 2.1  |        |       | 16         | 1224  | 88.01  | 2.3   |          |      | 19         | 1062  | 76.39  | 2.7   |          |      | 21         | 951   |        |       | 68.40    | 3.0  | 25         | 789   |        |       | 56.75    | 3.6  | 28         | 699   |        |       | 50.29    | 4.0  | 31         | 629   | 45.22      | 4.2  | 12       | 1592 |        |       | 114.45     | 0.89 | F 77       | 4    | 13     | 1508  |        |       |            |       | 108.46     | 0.93 |        |       |        |       | 15         | 1320  | 94.93    | 1.07 |        |       | 17         | 1189  | 85.52  | 1.19  |          |      | 19         | 1043  | 75.02  | 1.35  | 21       | 922  | 66.28      | 1.53  |        |       | 24       | 809  | 58.16      | 1.74  |        |       | 32       | 624  | 44.84      | 0.90  |            |       | F 57     | 4    |        |       | 37         | 533  |            |      |        |       | 38.30 | 1.06  | 40         | 499   |          |      | 35.87 | 1.13  | 47         | 420   |        |       | 30.22    | 1.32 | 57         | 347   |        |       | 24.96    | 1.56 |            |       | 67    | 294   | 21.17    | 1.92 | 74         | 266   | 19.11  | 2.1   |          |      | 84         | 234   | 16.81 | 2.4   |          |      | 89         | 221   |        |      | 15.88    | 2.6  |            |       | 56    | 355  | 25.54    | 1.06 | F 47       | 4     | 66    | 301  | 21.66    | 1.25 |            |       | 73    | 272  | 19.56    | 1.38 |            |       | 83    | 239  | 17.21    | 1.57 |            |       | 87    | 226  | 16.25    | 1.66 |            |       | 103   | 192  | 13.83    | 1.95 |            |       | 113   | 175  | 12.57    | 2.2  |            |       | 130   | 151  | 10.89    | 2.5  | 156        | 126   | 9.08  | 2.5  | 99       | 199  | 14.33      | 0.94  | F 37  | 4    | 110      | 179  | 12.87      | 1.05  |       |      | 128      | 154  | 11.08      | 1.16  |       |      | 136      | 145  | 10.42      | 1.20  |       |      | 158      | 125  | 8.97       | 1.32  |       |      | 177      | 111  | 8.01       | 1.43  |       |      | 209      | 95   | 6.81       | 1.39  |       |      | 232      | 85   | 6.11       | 1.49  |            |      | 269      | 73   |            |       | 5.27       | 1.60 |          |      | 287        | 69    | 4.95  | 1.64  | 333      | 59   | 4.26       | 1.75  | 373   | 53    | 3.81     | 1.86 | <b>3kW</b> |       |       |      |          |       | <b>3kW</b> |       |       |       |          |      | 1.2        | 20991 | 1169  | 0.81 | F 157R97 | 4     | 1.2        | 20991 | 1169  | 0.81 |            |       | 1.5        | 17113 | 953   | 0.99  |            |      | 1.7        | 15173 | 845   | 1.12 |          |       | 1.9        | 13719 | 764      | 1.23  |          |       | 2.1        | 12211 | 680  | 1.39  |            |      | 2.5        | 10343 | 576        | 1.64 |            |       | 3.2  | 8009  | 446        | 2.1   | 4.7      | 5405  | 301        | 3.1   | 5.2        | 4884  |            |       | 272      | 3.5  | 6.1        | 4148  | 231        | 4.1   | 7.2      | 3520  |            |       |            |       |          |       | 196      | 4.8   |            |       |      |       |          |       |          |       |      |       |          |       |          |       |      |       |      |       |     |       |     |       |     |       |     |       |     |       |     |       |     |       |     |       |     |       |     |      |     |      |
| 7.1           | 2772       | 199.31   | 2.6                    |             |         | 7.9           | 2485       | 178.64     | 2.9                    |             |         | 4.2      | 4755 | 226.34     | 0.85  | F 97     | 6     | 5.0     | 3960  | 188.50     | 1.02  |       |       | 5.3      | 3694 | 175.83     | 1.09  |        |       | 6.0      | 3302 | 157.16     | 1.22  |        |       | 5.1      | 3848 | 276.64     | 1.05  | F 97    | 4     | 5.6      | 3544 | 254.79     | 1.14  |         |       | 6.3      | 3148 | 226.34     | 1.28  |        |       | 7.5      | 2622 | 188.50     | 1.54  |        |      | 8.1      | 2445 | 175.83     | 1.65  |        |      | 9.0      | 2186 | 157.16     | 1.85  |        |      | 10         | 1968 | 141.47     | 2.1   |            |      | 11         | 1782 | 128.12 | 2.3   |            |      | 7.2      | 2738  | 196.85 | 1.03  | F 87       | 4     | 7.9    | 2489  | 178.95   | 1.13 |            |       | 8.9    | 2220  | 159.61   | 1.27 |            |       | 11    | 1866  | 134.16   | 1.51 |            |       | 12     | 1715  | 126.29   | 1.64 |            |       | 13     | 1523  | 109.49   | 1.85 |            |       | 15         | 1361  | 97.89    | 2.1  |        |       | 16         | 1224 | 88.01    | 2.3  |        |       | 19         | 1062  | 76.39  | 2.7   |          |      | 21         | 951   | 68.40  | 3.0   |          |      | 25         | 789   |        |       | 56.75    | 3.6  | 28         | 699   |        |       | 50.29    | 4.0  | 31         | 629   |        |       | 45.22    | 4.2  | 12         | 1592  | 114.45     | 0.89 | F 77     | 4    |        |       | 13         | 1508 |            |      | 108.46 | 0.93  |        |       |            |       | 15         | 1320 |        |       | 94.93  | 1.07  | 17         | 1189  | 85.52    | 1.19 |        |       | 19         | 1043  | 75.02  | 1.35  |          |      | 21         | 922   | 66.28  | 1.53  | 24       | 809  | 58.16      | 1.74  |        |       | 32       | 624  | 44.84      | 0.90  |        |       | F 57     | 4    | 37         | 533   |            |       |          |      |        |       | 38.30      | 1.06 | 40         | 499  |        |       | 35.87 | 1.13  | 47         | 420   |          |      | 30.22 | 1.32  | 57         | 347   |        |       | 24.96    | 1.56 | 67         | 294   |        |       | 21.17    | 1.92 |            |       | 74    | 266   | 19.11    | 2.1  | 84         | 234   | 16.81  | 2.4   |          |      | 89         | 221   | 15.88 | 2.6   |          |      | 56         | 355   |        |      | 25.54    | 1.06 | F 47       | 4     | 66    | 301  | 21.66    | 1.25 |            |       | 73    | 272  | 19.56    | 1.38 |            |       | 83    | 239  | 17.21    | 1.57 |            |       | 87    | 226  | 16.25    | 1.66 |            |       | 103   | 192  | 13.83    | 1.95 |            |       | 113   | 175  | 12.57    | 2.2  |            |       | 130   | 151  | 10.89    | 2.5  | 156        | 126   | 9.08  | 2.5  | 99       | 199  | 14.33      | 0.94  | F 37  | 4    | 110      | 179  | 12.87      | 1.05  |       |      | 128      | 154  | 11.08      | 1.16  |       |      | 136      | 145  | 10.42      | 1.20  |       |      | 158      | 125  | 8.97       | 1.32  |       |      | 177      | 111  | 8.01       | 1.43  |       |      | 209      | 95   | 6.81       | 1.39  |       |      | 232      | 85   | 6.11       | 1.49  |       |      | 269      | 73   | 5.27       | 1.60  |            |      | 287      | 69   |            |       | 4.95       | 1.64 | 333      | 59   | 4.26       | 1.75  | 373   | 53    | 3.81     | 1.86 | <b>3kW</b> |       |       |       |          |      | <b>3kW</b> |       |       |      |          |       | 1.2        | 20991 | 1169  | 0.81  | F 157R97 | 4    | 1.2        | 20991 | 1169  | 0.81 |          |       | 1.5        | 17113 | 953   | 0.99 |            |       | 1.7        | 15173 | 845   | 1.12  |            |      | 1.9        | 13719 | 764   | 1.23 |          |       | 2.1        | 12211 | 680      | 1.39  |          |       | 2.5        | 10343 | 576  | 1.64  |            |      | 3.2        | 8009  | 446        | 2.1  |            |       | 4.7  | 5405  | 301        | 3.1   | 5.2      | 4884  | 272        | 3.5   | 6.1        | 4148  |            |       | 231      | 4.1  | 7.2        | 3520  | 196        | 4.8   |          |       |            |       |            |       |          |       |          |       |            |       |      |       |          |       |          |       |      |       |          |       |          |       |      |       |      |       |     |       |     |       |     |       |     |       |     |       |     |       |     |       |     |       |     |       |     |      |     |      |
| 7.9           | 2485       | 178.64   | 2.9                    |             |         | 4.2           | 4755       | 226.34     | 0.85                   | F 97        | 6       | 5.0      | 3960 | 188.50     | 1.02  |          |       | 5.3     | 3694  | 175.83     | 1.09  |       |       | 6.0      | 3302 | 157.16     | 1.22  |        |       | 5.1      | 3848 | 276.64     | 1.05  | F 97   | 4     | 5.6      | 3544 | 254.79     | 1.14  |         |       | 6.3      | 3148 | 226.34     | 1.28  |         |       | 7.5      | 2622 | 188.50     | 1.54  |        |       | 8.1      | 2445 | 175.83     | 1.65  |        |      | 9.0      | 2186 | 157.16     | 1.85  |        |      | 10       | 1968 | 141.47     | 2.1   |        |      | 11         | 1782 | 128.12     | 2.3   |            |      | 7.2        | 2738 | 196.85 | 1.03  | F 87       | 4    | 7.9      | 2489  | 178.95 | 1.13  |            |       | 8.9    | 2220  | 159.61   | 1.27 |            |       | 11     | 1866  | 134.16   | 1.51 |            |       | 12    | 1715  | 126.29   | 1.64 |            |       | 13     | 1523  | 109.49   | 1.85 |            |       | 15     | 1361  | 97.89    | 2.1  |            |       | 16         | 1224  | 88.01    | 2.3  |        |       | 19         | 1062 | 76.39    | 2.7  |        |       | 21         | 951   | 68.40  | 3.0   |          |      | 25         | 789   | 56.75  | 3.6   |          |      | 28         | 699   |        |       | 50.29    | 4.0  | 31         | 629   |        |       | 45.22    | 4.2  | 12         | 1592  |        |       | 114.45   | 0.89 | F 77       | 4     | 13         | 1508 |          |      |        |       | 108.46     | 0.93 |            |      | 15     | 1320  | 94.93  | 1.07  |            |       | 17         | 1189 |        |       | 85.52  | 1.19  | 19         | 1043  | 75.02    | 1.35 |        |       | 21         | 922   | 66.28  | 1.53  |          |      | 24         | 809   | 58.16  | 1.74  | 32       | 624  | 44.84      | 0.90  |        |       | F 57     | 4    | 37         | 533   |        |       |          |      | 38.30      | 1.06  |            |       |          |      | 40     | 499   | 35.87      | 1.13 | 47         | 420  |        |       | 30.22 | 1.32  | 57         | 347   |          |      | 24.96 | 1.56  | 67         | 294   |        |       | 21.17    | 1.92 | 74         | 266   |        |       | 19.11    | 2.1  |            |       | 84    | 234   | 16.81    | 2.4  | 89         | 221   | 15.88  | 2.6   |          |      | 56         | 355   | 25.54 | 1.06  |          |      | F 47       | 4     | 66     | 301  | 21.66    | 1.25 |            |       | 73    | 272  | 19.56    | 1.38 |            |       | 83    | 239  | 17.21    | 1.57 |            |       | 87    | 226  | 16.25    | 1.66 |            |       | 103   | 192  | 13.83    | 1.95 |            |       | 113   | 175  | 12.57    | 2.2  |            |       | 130   | 151  | 10.89    | 2.5  | 156        | 126   | 9.08  | 2.5  | 99       | 199  | 14.33      | 0.94  | F 37  | 4    | 110      | 179  | 12.87      | 1.05  |       |      | 128      | 154  | 11.08      | 1.16  |       |      | 136      | 145  | 10.42      | 1.20  |       |      | 158      | 125  | 8.97       | 1.32  |       |      | 177      | 111  | 8.01       | 1.43  |       |      | 209      | 95   | 6.81       | 1.39  |       |      | 232      | 85   | 6.11       | 1.49  |       |      | 269      | 73   | 5.27       | 1.60  |       |      | 287      | 69   | 4.95       | 1.64  |            |      | 333      | 59   | 4.26       | 1.75  | 373        | 53   | 3.81     | 1.86 | <b>3kW</b> |       |       |       |          |      | <b>3kW</b> |       |       |       |          |      | 1.2        | 20991 | 1169  | 0.81 | F 157R97 | 4     | 1.2        | 20991 | 1169  | 0.81  |          |      | 1.5        | 17113 | 953   | 0.99 |          |       | 1.7        | 15173 | 845   | 1.12 |            |       | 1.9        | 13719 | 764   | 1.23  |            |      | 2.1        | 12211 | 680   | 1.39 |          |       | 2.5        | 10343 | 576      | 1.64  |          |       | 3.2        | 8009  | 446  | 2.1   |            |      | 4.7        | 5405  | 301        | 3.1  |            |       | 5.2  | 4884  | 272        | 3.5   | 6.1      | 4148  | 231        | 4.1   | 7.2        | 3520  |            |       | 196      | 4.8  |            |       |            |       |          |       |            |       |            |       |          |       |          |       |            |       |      |       |          |       |          |       |      |       |          |       |          |       |      |       |      |       |     |       |     |       |     |       |     |       |     |       |     |       |     |       |     |       |     |       |     |      |     |      |
| 4.2           | 4755       | 226.34   | 0.85                   | F 97        | 6       | 5.0           | 3960       | 188.50     | 1.02                   |             |         | 5.3      | 3694 | 175.83     | 1.09  |          |       | 6.0     | 3302  | 157.16     | 1.22  |       |       | 5.1      | 3848 | 276.64     | 1.05  | F 97   | 4     | 5.6      | 3544 | 254.79     | 1.14  |        |       | 6.3      | 3148 | 226.34     | 1.28  |         |       | 7.5      | 2622 | 188.50     | 1.54  |         |       | 8.1      | 2445 | 175.83     | 1.65  |        |       | 9.0      | 2186 | 157.16     | 1.85  |        |      | 10       | 1968 | 141.47     | 2.1   |        |      | 11       | 1782 | 128.12     | 2.3   |        |      | 7.2        | 2738 | 196.85     | 1.03  | F 87       | 4    | 7.9        | 2489 | 178.95 | 1.13  |            |      | 8.9      | 2220  | 159.61 | 1.27  |            |       | 11     | 1866  | 134.16   | 1.51 |            |       | 12     | 1715  | 126.29   | 1.64 |            |       | 13    | 1523  | 109.49   | 1.85 |            |       | 15     | 1361  | 97.89    | 2.1  |            |       | 16     | 1224  | 88.01    | 2.3  |            |       | 19         | 1062  | 76.39    | 2.7  |        |       | 21         | 951  | 68.40    | 3.0  |        |       | 25         | 789   | 56.75  | 3.6   |          |      | 28         | 699   | 50.29  | 4.0   |          |      | 31         | 629   |        |       | 45.22    | 4.2  | 12         | 1592  |        |       | 114.45   | 0.89 | F 77       | 4     |        |       | 13       | 1508 |            |       | 108.46     | 0.93 |          |      | 15     | 1320  | 94.93      | 1.07 |            |      | 17     | 1189  | 85.52  | 1.19  |            |       | 19         | 1043 |        |       | 75.02  | 1.35  | 21         | 922   | 66.28    | 1.53 |        |       | 24         | 809   | 58.16  | 1.74  |          |      | 32         | 624   | 44.84  | 0.90  | F 57     | 4    | 37         | 533   |        |       |          |      | 38.30      | 1.06  |        |       |          |      | 40         | 499   | 35.87      | 1.13  |          |      | 47     | 420   | 30.22      | 1.32 | 57         | 347  |        |       | 24.96 | 1.56  | 67         | 294   |          |      | 21.17 | 1.92  | 74         | 266   |        |       | 19.11    | 2.1  | 84         | 234   |        |       | 16.81    | 2.4  |            |       | 89    | 221   | 15.88    | 2.6  | 56         | 355   | 25.54  | 1.06  |          |      | F 47       | 4     | 66    | 301   | 21.66    | 1.25 |            |       | 73     | 272  | 19.56    | 1.38 |            |       | 83    | 239  | 17.21    | 1.57 |            |       | 87    | 226  | 16.25    | 1.66 |            |       | 103   | 192  | 13.83    | 1.95 |            |       | 113   | 175  | 12.57    | 2.2  |            |       | 130   | 151  | 10.89    | 2.5  | 156        | 126   | 9.08  | 2.5  | 99       | 199  | 14.33      | 0.94  | F 37  | 4    | 110      | 179  | 12.87      | 1.05  |       |      | 128      | 154  | 11.08      | 1.16  |       |      | 136      | 145  | 10.42      | 1.20  |       |      | 158      | 125  | 8.97       | 1.32  |       |      | 177      | 111  | 8.01       | 1.43  |       |      | 209      | 95   | 6.81       | 1.39  |       |      | 232      | 85   | 6.11       | 1.49  |       |      | 269      | 73   | 5.27       | 1.60  |       |      | 287      | 69   | 4.95       | 1.64  |       |      | 333      | 59   | 4.26       | 1.75  | 373        | 53   | 3.81     | 1.86 | <b>3kW</b> |       |            |      |          |      | <b>3kW</b> |       |       |       |          |      | 1.2        | 20991 | 1169  | 0.81  | F 157R97 | 4    | 1.2        | 20991 | 1169  | 0.81 |          |       | 1.5        | 17113 | 953   | 0.99  |          |      | 1.7        | 15173 | 845   | 1.12 |          |       | 1.9        | 13719 | 764   | 1.23 |            |       | 2.1        | 12211 | 680   | 1.39  |            |      | 2.5        | 10343 | 576   | 1.64 |          |       | 3.2        | 8009  | 446      | 2.1   |          |       | 4.7        | 5405  | 301  | 3.1   |            |      | 5.2        | 4884  | 272        | 3.5  |            |       | 6.1  | 4148  | 231        | 4.1   | 7.2      | 3520  | 196        | 4.8   |            |       |            |       |          |      |            |       |            |       |          |       |            |       |            |       |          |       |          |       |            |       |      |       |          |       |          |       |      |       |          |       |          |       |      |       |      |       |     |       |     |       |     |       |     |       |     |       |     |       |     |       |     |       |     |       |     |      |     |      |
| 5.0           | 3960       | 188.50   | 1.02                   |             |         | 5.3           | 3694       | 175.83     | 1.09                   |             |         | 6.0      | 3302 | 157.16     | 1.22  |          |       | 5.1     | 3848  | 276.64     | 1.05  | F 97  | 4     | 5.6      | 3544 | 254.79     | 1.14  |        |       | 6.3      | 3148 | 226.34     | 1.28  |        |       | 7.5      | 2622 | 188.50     | 1.54  |         |       | 8.1      | 2445 | 175.83     | 1.65  |         |       | 9.0      | 2186 | 157.16     | 1.85  |        |       | 10       | 1968 | 141.47     | 2.1   |        |      | 11       | 1782 | 128.12     | 2.3   |        |      | 7.2      | 2738 | 196.85     | 1.03  | F 87   | 4    | 7.9        | 2489 | 178.95     | 1.13  |            |      | 8.9        | 2220 | 159.61 | 1.27  |            |      | 11       | 1866  | 134.16 | 1.51  |            |       | 12     | 1715  | 126.29   | 1.64 |            |       | 13     | 1523  | 109.49   | 1.85 |            |       | 15    | 1361  | 97.89    | 2.1  |            |       | 16     | 1224  | 88.01    | 2.3  |            |       | 19     | 1062  | 76.39    | 2.7  |            |       | 21         | 951   | 68.40    | 3.0  |        |       | 25         | 789  | 56.75    | 3.6  |        |       | 28         | 699   | 50.29  | 4.0   |          |      | 31         | 629   | 45.22  | 4.2   |          |      | 12         | 1592  |        |       | 114.45   | 0.89 | F 77       | 4     |        |       | 13       | 1508 |            |       | 108.46 | 0.93  | 15       | 1320 |            |       | 94.93      | 1.07 |          |      | 17     | 1189  | 85.52      | 1.19 |            |      | 19     | 1043  | 75.02  | 1.35  |            |       | 21         | 922  |        |       | 66.28  | 1.53  | 24         | 809   | 58.16    | 1.74 |        |       | 32         | 624   | 44.84  | 0.90  |          |      | F 57       | 4     | 37     | 533   |          |      | 38.30      | 1.06  |        |       |          |      | 40         | 499   | 35.87  | 1.13  |          |      | 47         | 420   | 30.22      | 1.32  |          |      | 57     | 347   | 24.96      | 1.56 | 67         | 294  |        |       | 21.17 | 1.92  | 74         | 266   |          |      | 19.11 | 2.1   | 84         | 234   |        |       | 16.81    | 2.4  | 89         | 221   |        |       | 15.88    | 2.6  |            |       | 56    | 355   | 25.54    | 1.06 | F 47       | 4     | 66     | 301   | 21.66    | 1.25 |            |       | 73    | 272   | 19.56    | 1.38 |            |       | 83     | 239  | 17.21    | 1.57 |            |       | 87    | 226  | 16.25    | 1.66 |            |       | 103   | 192  | 13.83    | 1.95 |            |       | 113   | 175  | 12.57    | 2.2  |            |       | 130   | 151  | 10.89    | 2.5  | 156        | 126   | 9.08  | 2.5  | 99       | 199  | 14.33      | 0.94  | F 37  | 4    | 110      | 179  | 12.87      | 1.05  |       |      | 128      | 154  | 11.08      | 1.16  |       |      | 136      | 145  | 10.42      | 1.20  |       |      | 158      | 125  | 8.97       | 1.32  |       |      | 177      | 111  | 8.01       | 1.43  |       |      | 209      | 95   | 6.81       | 1.39  |       |      | 232      | 85   | 6.11       | 1.49  |       |      | 269      | 73   | 5.27       | 1.60  |       |      | 287      | 69   | 4.95       | 1.64  |       |      | 333      | 59   | 4.26       | 1.75  | 373   | 53   | 3.81     | 1.86 | <b>3kW</b> |       |            |      |          |      | <b>3kW</b> |       |            |      |          |      | 1.2        | 20991 | 1169  | 0.81  | F 157R97 | 4    | 1.2        | 20991 | 1169  | 0.81  |          |      | 1.5        | 17113 | 953   | 0.99 |          |       | 1.7        | 15173 | 845   | 1.12  |          |      | 1.9        | 13719 | 764   | 1.23 |          |       | 2.1        | 12211 | 680   | 1.39 |            |       | 2.5        | 10343 | 576   | 1.64  |            |      | 3.2        | 8009  | 446   | 2.1  |          |       | 4.7        | 5405  | 301      | 3.1   |          |       | 5.2        | 4884  | 272  | 3.5   |            |      | 6.1        | 4148  | 231        | 4.1  |            |       | 7.2  | 3520  | 196        | 4.8   |          |       |            |       |            |       |            |       |          |      |            |       |            |       |          |       |            |       |            |       |          |       |          |       |            |       |      |       |          |       |          |       |      |       |          |       |          |       |      |       |      |       |     |       |     |       |     |       |     |       |     |       |     |       |     |       |     |       |     |       |     |      |     |      |
| 5.3           | 3694       | 175.83   | 1.09                   |             |         | 6.0           | 3302       | 157.16     | 1.22                   |             |         | 5.1      | 3848 | 276.64     | 1.05  | F 97     | 4     | 5.6     | 3544  | 254.79     | 1.14  |       |       | 6.3      | 3148 | 226.34     | 1.28  |        |       | 7.5      | 2622 | 188.50     | 1.54  |        |       | 8.1      | 2445 | 175.83     | 1.65  |         |       | 9.0      | 2186 | 157.16     | 1.85  |         |       | 10       | 1968 | 141.47     | 2.1   |        |       | 11       | 1782 | 128.12     | 2.3   |        |      | 7.2      | 2738 | 196.85     | 1.03  | F 87   | 4    | 7.9      | 2489 | 178.95     | 1.13  |        |      | 8.9        | 2220 | 159.61     | 1.27  |            |      | 11         | 1866 | 134.16 | 1.51  |            |      | 12       | 1715  | 126.29 | 1.64  |            |       | 13     | 1523  | 109.49   | 1.85 |            |       | 15     | 1361  | 97.89    | 2.1  |            |       | 16    | 1224  | 88.01    | 2.3  |            |       | 19     | 1062  | 76.39    | 2.7  |            |       | 21     | 951   | 68.40    | 3.0  |            |       | 25         | 789   | 56.75    | 3.6  |        |       | 28         | 699  | 50.29    | 4.0  |        |       | 31         | 629   | 45.22  | 4.2   |          |      | 12         | 1592  | 114.45 | 0.89  |          |      | F 77       | 4     |        |       | 13       | 1508 |            |       | 108.46 | 0.93  | 15       | 1320 |            |       | 94.93  | 1.07  | 17       | 1189 |            |       | 85.52      | 1.19 |          |      | 19     | 1043  | 75.02      | 1.35 |            |      | 21     | 922   | 66.28  | 1.53  |            |       | 24         | 809  |        |       | 58.16  | 1.74  | 32         | 624   | 44.84    | 0.90 |        |       | F 57       | 4     | 37     | 533   |          |      |            |       | 38.30  | 1.06  |          |      | 40         | 499   | 35.87  | 1.13  |          |      | 47         | 420   | 30.22  | 1.32  |          |      | 57         | 347   | 24.96      | 1.56  |          |      | 67     | 294   | 21.17      | 1.92 | 74         | 266  |        |       | 19.11 | 2.1   | 84         | 234   |          |      | 16.81 | 2.4   | 89         | 221   |        |       | 15.88    | 2.6  | 56         | 355   |        |       | 25.54    | 1.06 | F 47       | 4     | 66    | 301   | 21.66    | 1.25 |            |       | 73     | 272   | 19.56    | 1.38 |            |       | 83    | 239   | 17.21    | 1.57 |            |       | 87     | 226  | 16.25    | 1.66 |            |       | 103   | 192  | 13.83    | 1.95 |            |       | 113   | 175  | 12.57    | 2.2  |            |       | 130   | 151  | 10.89    | 2.5  | 156        | 126   | 9.08  | 2.5  | 99       | 199  | 14.33      | 0.94  | F 37  | 4    | 110      | 179  | 12.87      | 1.05  |       |      | 128      | 154  | 11.08      | 1.16  |       |      | 136      | 145  | 10.42      | 1.20  |       |      | 158      | 125  | 8.97       | 1.32  |       |      | 177      | 111  | 8.01       | 1.43  |       |      | 209      | 95   | 6.81       | 1.39  |       |      | 232      | 85   | 6.11       | 1.49  |       |      | 269      | 73   | 5.27       | 1.60  |       |      | 287      | 69   | 4.95       | 1.64  |       |      | 333      | 59   | 4.26       | 1.75  | 373   | 53   | 3.81     | 1.86 | <b>3kW</b> |       |       |      |          |      | <b>3kW</b> |       |            |      |          |      | 1.2        | 20991 | 1169       | 0.81 | F 157R97 | 4    | 1.2        | 20991 | 1169  | 0.81  |          |      | 1.5        | 17113 | 953   | 0.99  |          |      | 1.7        | 15173 | 845   | 1.12 |          |       | 1.9        | 13719 | 764   | 1.23  |          |      | 2.1        | 12211 | 680   | 1.39 |          |       | 2.5        | 10343 | 576   | 1.64 |            |       | 3.2        | 8009  | 446   | 2.1   |            |      | 4.7        | 5405  | 301   | 3.1  |          |       | 5.2        | 4884  | 272      | 3.5   |          |       | 6.1        | 4148  | 231  | 4.1   |            |      | 7.2        | 3520  | 196        | 4.8  |            |       |      |       |            |       |          |       |            |       |            |       |            |       |          |      |            |       |            |       |          |       |            |       |            |       |          |       |          |       |            |       |      |       |          |       |          |       |      |       |          |       |          |       |      |       |      |       |     |       |     |       |     |       |     |       |     |       |     |       |     |       |     |       |     |       |     |      |     |      |
| 6.0           | 3302       | 157.16   | 1.22                   |             |         | 5.1           | 3848       | 276.64     | 1.05                   | F 97        | 4       | 5.6      | 3544 | 254.79     | 1.14  |          |       | 6.3     | 3148  | 226.34     | 1.28  |       |       | 7.5      | 2622 | 188.50     | 1.54  |        |       | 8.1      | 2445 | 175.83     | 1.65  |        |       | 9.0      | 2186 | 157.16     | 1.85  |         |       | 10       | 1968 | 141.47     | 2.1   |         |       | 11       | 1782 | 128.12     | 2.3   |        |       | 7.2      | 2738 | 196.85     | 1.03  | F 87   | 4    | 7.9      | 2489 | 178.95     | 1.13  |        |      | 8.9      | 2220 | 159.61     | 1.27  |        |      | 11         | 1866 | 134.16     | 1.51  |            |      | 12         | 1715 | 126.29 | 1.64  |            |      | 13       | 1523  | 109.49 | 1.85  |            |       | 15     | 1361  | 97.89    | 2.1  |            |       | 16     | 1224  | 88.01    | 2.3  |            |       | 19    | 1062  | 76.39    | 2.7  |            |       | 21     | 951   | 68.40    | 3.0  |            |       | 25     | 789   | 56.75    | 3.6  |            |       | 28         | 699   | 50.29    | 4.0  |        |       | 31         | 629  | 45.22    | 4.2  |        |       | 12         | 1592  | 114.45 | 0.89  |          |      | F 77       | 4     | 13     | 1508  |          |      |            |       | 108.46 | 0.93  | 15       | 1320 |            |       | 94.93  | 1.07  | 17       | 1189 |            |       | 85.52  | 1.19  | 19       | 1043 |            |       | 75.02      | 1.35 |          |      | 21     | 922   | 66.28      | 1.53 |            |      | 24     | 809   | 58.16  | 1.74  |            |       | 32         | 624  |        |       | 44.84  | 0.90  | F 57       | 4     | 37       | 533  |        |       |            |       | 38.30  | 1.06  | 40       | 499  |            |       | 35.87  | 1.13  |          |      | 47         | 420   | 30.22  | 1.32  |          |      | 57         | 347   | 24.96  | 1.56  |          |      | 67         | 294   | 21.17      | 1.92  |          |      | 74     | 266   | 19.11      | 2.1  | 84         | 234  |        |       | 16.81 | 2.4   | 89         | 221   |          |      | 15.88 | 2.6   | 56         | 355   |        |       | 25.54    | 1.06 | F 47       | 4     | 66     | 301   | 21.66    | 1.25 |            |       | 73    | 272   | 19.56    | 1.38 |            |       | 83     | 239   | 17.21    | 1.57 |            |       | 87    | 226   | 16.25    | 1.66 |            |       | 103    | 192  | 13.83    | 1.95 |            |       | 113   | 175  | 12.57    | 2.2  |            |       | 130   | 151  | 10.89    | 2.5  | 156        | 126   | 9.08  | 2.5  | 99       | 199  | 14.33      | 0.94  | F 37  | 4    | 110      | 179  | 12.87      | 1.05  |       |      | 128      | 154  | 11.08      | 1.16  |       |      | 136      | 145  | 10.42      | 1.20  |       |      | 158      | 125  | 8.97       | 1.32  |       |      | 177      | 111  | 8.01       | 1.43  |       |      | 209      | 95   | 6.81       | 1.39  |       |      | 232      | 85   | 6.11       | 1.49  |       |      | 269      | 73   | 5.27       | 1.60  |       |      | 287      | 69   | 4.95       | 1.64  |       |      | 333      | 59   | 4.26       | 1.75  | 373   | 53   | 3.81     | 1.86 | <b>3kW</b> |       |       |      |          |      | <b>3kW</b> |       |       |      |          |      | 1.2        | 20991 | 1169       | 0.81 | F 157R97 | 4    | 1.2        | 20991 | 1169       | 0.81 |          |      | 1.5        | 17113 | 953   | 0.99  |          |      | 1.7        | 15173 | 845   | 1.12  |          |      | 1.9        | 13719 | 764   | 1.23 |          |       | 2.1        | 12211 | 680   | 1.39  |          |      | 2.5        | 10343 | 576   | 1.64 |          |       | 3.2        | 8009  | 446   | 2.1  |            |       | 4.7        | 5405  | 301   | 3.1   |            |      | 5.2        | 4884  | 272   | 3.5  |          |       | 6.1        | 4148  | 231      | 4.1   |          |       | 7.2        | 3520  | 196  | 4.8   |            |      |            |       |            |      |            |       |      |       |            |       |          |       |            |       |            |       |            |       |          |      |            |       |            |       |          |       |            |       |            |       |          |       |          |       |            |       |      |       |          |       |          |       |      |       |          |       |          |       |      |       |      |       |     |       |     |       |     |       |     |       |     |       |     |       |     |       |     |       |     |       |     |      |     |      |
| 5.1           | 3848       | 276.64   | 1.05                   | F 97        | 4       | 5.6           | 3544       | 254.79     | 1.14                   |             |         | 6.3      | 3148 | 226.34     | 1.28  |          |       | 7.5     | 2622  | 188.50     | 1.54  |       |       | 8.1      | 2445 | 175.83     | 1.65  |        |       | 9.0      | 2186 | 157.16     | 1.85  |        |       | 10       | 1968 | 141.47     | 2.1   |         |       | 11       | 1782 | 128.12     | 2.3   |         |       | 7.2      | 2738 | 196.85     | 1.03  | F 87   | 4     | 7.9      | 2489 | 178.95     | 1.13  |        |      | 8.9      | 2220 | 159.61     | 1.27  |        |      | 11       | 1866 | 134.16     | 1.51  |        |      | 12         | 1715 | 126.29     | 1.64  |            |      | 13         | 1523 | 109.49 | 1.85  |            |      | 15       | 1361  | 97.89  | 2.1   |            |       | 16     | 1224  | 88.01    | 2.3  |            |       | 19     | 1062  | 76.39    | 2.7  |            |       | 21    | 951   | 68.40    | 3.0  |            |       | 25     | 789   | 56.75    | 3.6  |            |       | 28     | 699   | 50.29    | 4.0  |            |       | 31         | 629   | 45.22    | 4.2  |        |       | 12         | 1592 | 114.45   | 0.89 |        |       | F 77       | 4     | 13     | 1508  |          |      |            |       | 108.46 | 0.93  | 15       | 1320 |            |       | 94.93  | 1.07  | 17       | 1189 |            |       | 85.52  | 1.19  | 19       | 1043 |            |       | 75.02  | 1.35  | 21       | 922  |            |       | 66.28      | 1.53 |          |      | 24     | 809   | 58.16      | 1.74 |            |      | 32     | 624   | 44.84  | 0.90  |            |       | F 57       | 4    |        |       | 37     | 533   |            |       | 38.30    | 1.06 | 40     | 499   |            |       | 35.87  | 1.13  | 47       | 420  |            |       | 30.22  | 1.32  |          |      | 57         | 347   | 24.96  | 1.56  |          |      | 67         | 294   | 21.17  | 1.92  |          |      | 74         | 266   | 19.11      | 2.1   |          |      | 84     | 234   | 16.81      | 2.4  | 89         | 221  |        |       | 15.88 | 2.6   | 56         | 355   |          |      | 25.54 | 1.06  | F 47       | 4     | 66     | 301   | 21.66    | 1.25 |            |       | 73     | 272   | 19.56    | 1.38 |            |       | 83    | 239   | 17.21    | 1.57 |            |       | 87     | 226   | 16.25    | 1.66 |            |       | 103   | 192   | 13.83    | 1.95 |            |       | 113    | 175  | 12.57    | 2.2  |            |       | 130   | 151  | 10.89    | 2.5  | 156        | 126   | 9.08  | 2.5  | 99       | 199  | 14.33      | 0.94  | F 37  | 4    | 110      | 179  | 12.87      | 1.05  |       |      | 128      | 154  | 11.08      | 1.16  |       |      | 136      | 145  | 10.42      | 1.20  |       |      | 158      | 125  | 8.97       | 1.32  |       |      | 177      | 111  | 8.01       | 1.43  |       |      | 209      | 95   | 6.81       | 1.39  |       |      | 232      | 85   | 6.11       | 1.49  |       |      | 269      | 73   | 5.27       | 1.60  |       |      | 287      | 69   | 4.95       | 1.64  |       |      | 333      | 59   | 4.26       | 1.75  | 373   | 53   | 3.81     | 1.86 | <b>3kW</b> |       |       |      |          |      | <b>3kW</b> |       |       |      |          |      | 1.2        | 20991 | 1169  | 0.81 | F 157R97 | 4    | 1.2        | 20991 | 1169       | 0.81 |          |      | 1.5        | 17113 | 953        | 0.99 |          |      | 1.7        | 15173 | 845   | 1.12  |          |      | 1.9        | 13719 | 764   | 1.23  |          |      | 2.1        | 12211 | 680   | 1.39 |          |       | 2.5        | 10343 | 576   | 1.64  |          |      | 3.2        | 8009  | 446   | 2.1  |          |       | 4.7        | 5405  | 301   | 3.1  |            |       | 5.2        | 4884  | 272   | 3.5   |            |      | 6.1        | 4148  | 231   | 4.1  |          |       | 7.2        | 3520  | 196      | 4.8   |          |       |            |       |      |       |            |      |            |       |            |      |            |       |      |       |            |       |          |       |            |       |            |       |            |       |          |      |            |       |            |       |          |       |            |       |            |       |          |       |          |       |            |       |      |       |          |       |          |       |      |       |          |       |          |       |      |       |      |       |     |       |     |       |     |       |     |       |     |       |     |       |     |       |     |       |     |       |     |      |     |      |
| 5.6           | 3544       | 254.79   | 1.14                   |             |         | 6.3           | 3148       | 226.34     | 1.28                   |             |         | 7.5      | 2622 | 188.50     | 1.54  |          |       | 8.1     | 2445  | 175.83     | 1.65  |       |       | 9.0      | 2186 | 157.16     | 1.85  |        |       | 10       | 1968 | 141.47     | 2.1   |        |       | 11       | 1782 | 128.12     | 2.3   |         |       | 7.2      | 2738 | 196.85     | 1.03  | F 87    | 4     | 7.9      | 2489 | 178.95     | 1.13  |        |       | 8.9      | 2220 | 159.61     | 1.27  |        |      | 11       | 1866 | 134.16     | 1.51  |        |      | 12       | 1715 | 126.29     | 1.64  |        |      | 13         | 1523 | 109.49     | 1.85  |            |      | 15         | 1361 | 97.89  | 2.1   |            |      | 16       | 1224  | 88.01  | 2.3   |            |       | 19     | 1062  | 76.39    | 2.7  |            |       | 21     | 951   | 68.40    | 3.0  |            |       | 25    | 789   | 56.75    | 3.6  |            |       | 28     | 699   | 50.29    | 4.0  |            |       | 31     | 629   | 45.22    | 4.2  |            |       | 12         | 1592  | 114.45   | 0.89 |        |       | F 77       | 4    | 13       | 1508 |        |       |            |       | 108.46 | 0.93  | 15       | 1320 |            |       | 94.93  | 1.07  | 17       | 1189 |            |       | 85.52  | 1.19  | 19       | 1043 |            |       | 75.02  | 1.35  | 21       | 922  |            |       | 66.28  | 1.53  | 24       | 809  |            |       | 58.16      | 1.74 |          |      | 32     | 624   | 44.84      | 0.90 |            |      | F 57   | 4     | 37     | 533   |            |       |            |      | 38.30  | 1.06  | 40     | 499   |            |       | 35.87    | 1.13 | 47     | 420   |            |       | 30.22  | 1.32  | 57       | 347  |            |       | 24.96  | 1.56  |          |      | 67         | 294   | 21.17  | 1.92  |          |      | 74         | 266   | 19.11  | 2.1   |          |      | 84         | 234   | 16.81      | 2.4   |          |      | 89     | 221   | 15.88      | 2.6  | 56         | 355  |        |       | 25.54 | 1.06  | F 47       | 4     | 66       | 301  | 21.66 | 1.25  |            |       | 73     | 272   | 19.56    | 1.38 |            |       | 83     | 239   | 17.21    | 1.57 |            |       | 87    | 226   | 16.25    | 1.66 |            |       | 103    | 192   | 13.83    | 1.95 |            |       | 113   | 175   | 12.57    | 2.2  |            |       | 130    | 151  | 10.89    | 2.5  | 156        | 126   | 9.08  | 2.5  | 99       | 199  | 14.33      | 0.94  | F 37  | 4    | 110      | 179  | 12.87      | 1.05  |       |      | 128      | 154  | 11.08      | 1.16  |       |      | 136      | 145  | 10.42      | 1.20  |       |      | 158      | 125  | 8.97       | 1.32  |       |      | 177      | 111  | 8.01       | 1.43  |       |      | 209      | 95   | 6.81       | 1.39  |       |      | 232      | 85   | 6.11       | 1.49  |       |      | 269      | 73   | 5.27       | 1.60  |       |      | 287      | 69   | 4.95       | 1.64  |       |      | 333      | 59   | 4.26       | 1.75  | 373   | 53   | 3.81     | 1.86 | <b>3kW</b> |       |       |      |          |      | <b>3kW</b> |       |       |      |          |      | 1.2        | 20991 | 1169  | 0.81 | F 157R97 | 4    | 1.2        | 20991 | 1169  | 0.81 |          |      | 1.5        | 17113 | 953        | 0.99 |          |      | 1.7        | 15173 | 845        | 1.12 |          |      | 1.9        | 13719 | 764   | 1.23  |          |      | 2.1        | 12211 | 680   | 1.39  |          |      | 2.5        | 10343 | 576   | 1.64 |          |       | 3.2        | 8009  | 446   | 2.1   |          |      | 4.7        | 5405  | 301   | 3.1  |          |       | 5.2        | 4884  | 272   | 3.5  |            |       | 6.1        | 4148  | 231   | 4.1   |            |      | 7.2        | 3520  | 196   | 4.8  |          |       |            |       |          |       |          |       |            |       |      |       |            |      |            |       |            |      |            |       |      |       |            |       |          |       |            |       |            |       |            |       |          |      |            |       |            |       |          |       |            |       |            |       |          |       |          |       |            |       |      |       |          |       |          |       |      |       |          |       |          |       |      |       |      |       |     |       |     |       |     |       |     |       |     |       |     |       |     |       |     |       |     |       |     |      |     |      |
| 6.3           | 3148       | 226.34   | 1.28                   |             |         | 7.5           | 2622       | 188.50     | 1.54                   |             |         | 8.1      | 2445 | 175.83     | 1.65  |          |       | 9.0     | 2186  | 157.16     | 1.85  |       |       | 10       | 1968 | 141.47     | 2.1   |        |       | 11       | 1782 | 128.12     | 2.3   |        |       | 7.2      | 2738 | 196.85     | 1.03  | F 87    | 4     | 7.9      | 2489 | 178.95     | 1.13  |         |       | 8.9      | 2220 | 159.61     | 1.27  |        |       | 11       | 1866 | 134.16     | 1.51  |        |      | 12       | 1715 | 126.29     | 1.64  |        |      | 13       | 1523 | 109.49     | 1.85  |        |      | 15         | 1361 | 97.89      | 2.1   |            |      | 16         | 1224 | 88.01  | 2.3   |            |      | 19       | 1062  | 76.39  | 2.7   |            |       | 21     | 951   | 68.40    | 3.0  |            |       | 25     | 789   | 56.75    | 3.6  |            |       | 28    | 699   | 50.29    | 4.0  |            |       | 31     | 629   | 45.22    | 4.2  |            |       | 12     | 1592  | 114.45   | 0.89 |            |       | F 77       | 4     | 13       | 1508 |        |       |            |      | 108.46   | 0.93 | 15     | 1320  |            |       | 94.93  | 1.07  | 17       | 1189 |            |       | 85.52  | 1.19  | 19       | 1043 |            |       | 75.02  | 1.35  | 21       | 922  |            |       | 66.28  | 1.53  | 24       | 809  |            |       | 58.16  | 1.74  | 32       | 624  |            |       | 44.84      | 0.90 |          |      | F 57   | 4     | 37         | 533  |            |      |        |       | 38.30  | 1.06  | 40         | 499   |            |      | 35.87  | 1.13  | 47     | 420   |            |       | 30.22    | 1.32 | 57     | 347   |            |       | 24.96  | 1.56  | 67       | 294  |            |       | 21.17  | 1.92  |          |      | 74         | 266   | 19.11  | 2.1   |          |      | 84         | 234   | 16.81  | 2.4   |          |      | 89         | 221   | 15.88      | 2.6   |          |      | 56     | 355   | 25.54      | 1.06 | F 47       | 4    | 66     | 301   | 21.66 | 1.25  |            |       | 73       | 272  | 19.56 | 1.38  |            |       | 83     | 239   | 17.21    | 1.57 |            |       | 87     | 226   | 16.25    | 1.66 |            |       | 103   | 192   | 13.83    | 1.95 |            |       | 113    | 175   | 12.57    | 2.2  |            |       | 130   | 151   | 10.89    | 2.5  | 156        | 126   | 9.08   | 2.5  | 99       | 199  | 14.33      | 0.94  | F 37  | 4    | 110      | 179  | 12.87      | 1.05  |       |      | 128      | 154  | 11.08      | 1.16  |       |      | 136      | 145  | 10.42      | 1.20  |       |      | 158      | 125  | 8.97       | 1.32  |       |      | 177      | 111  | 8.01       | 1.43  |       |      | 209      | 95   | 6.81       | 1.39  |       |      | 232      | 85   | 6.11       | 1.49  |       |      | 269      | 73   | 5.27       | 1.60  |       |      | 287      | 69   | 4.95       | 1.64  |       |      | 333      | 59   | 4.26       | 1.75  | 373   | 53   | 3.81     | 1.86 | <b>3kW</b> |       |       |      |          |      | <b>3kW</b> |       |       |      |          |      | 1.2        | 20991 | 1169  | 0.81 | F 157R97 | 4    | 1.2        | 20991 | 1169  | 0.81 |          |      | 1.5        | 17113 | 953   | 0.99 |          |      | 1.7        | 15173 | 845        | 1.12 |          |      | 1.9        | 13719 | 764        | 1.23 |          |      | 2.1        | 12211 | 680   | 1.39  |          |      | 2.5        | 10343 | 576   | 1.64  |          |      | 3.2        | 8009  | 446   | 2.1  |          |       | 4.7        | 5405  | 301   | 3.1   |          |      | 5.2        | 4884  | 272   | 3.5  |          |       | 6.1        | 4148  | 231   | 4.1  |            |       | 7.2        | 3520  | 196   | 4.8   |            |      |            |       |       |      |          |       |            |       |          |       |          |       |            |       |      |       |            |      |            |       |            |      |            |       |      |       |            |       |          |       |            |       |            |       |            |       |          |      |            |       |            |       |          |       |            |       |            |       |          |       |          |       |            |       |      |       |          |       |          |       |      |       |          |       |          |       |      |       |      |       |     |       |     |       |     |       |     |       |     |       |     |       |     |       |     |       |     |       |     |      |     |      |
| 7.5           | 2622       | 188.50   | 1.54                   |             |         | 8.1           | 2445       | 175.83     | 1.65                   |             |         | 9.0      | 2186 | 157.16     | 1.85  |          |       | 10      | 1968  | 141.47     | 2.1   |       |       | 11       | 1782 | 128.12     | 2.3   |        |       | 7.2      | 2738 | 196.85     | 1.03  | F 87   | 4     | 7.9      | 2489 | 178.95     | 1.13  |         |       | 8.9      | 2220 | 159.61     | 1.27  |         |       | 11       | 1866 | 134.16     | 1.51  |        |       | 12       | 1715 | 126.29     | 1.64  |        |      | 13       | 1523 | 109.49     | 1.85  |        |      | 15       | 1361 | 97.89      | 2.1   |        |      | 16         | 1224 | 88.01      | 2.3   |            |      | 19         | 1062 | 76.39  | 2.7   |            |      | 21       | 951   | 68.40  | 3.0   |            |       | 25     | 789   | 56.75    | 3.6  |            |       | 28     | 699   | 50.29    | 4.0  |            |       | 31    | 629   | 45.22    | 4.2  |            |       | 12     | 1592  | 114.45   | 0.89 |            |       | F 77   | 4     | 13       | 1508 |            |       |            |       | 108.46   | 0.93 | 15     | 1320  |            |      | 94.93    | 1.07 | 17     | 1189  |            |       | 85.52  | 1.19  | 19       | 1043 |            |       | 75.02  | 1.35  | 21       | 922  |            |       | 66.28  | 1.53  | 24       | 809  |            |       | 58.16  | 1.74  | 32       | 624  |            |       | 44.84  | 0.90  | F 57     | 4    |            |       | 37         | 533  |          |      |        |       | 38.30      | 1.06 | 40         | 499  |        |       | 35.87  | 1.13  | 47         | 420   |            |      | 30.22  | 1.32  | 57     | 347   |            |       | 24.96    | 1.56 | 67     | 294   |            |       | 21.17  | 1.92  | 74       | 266  |            |       | 19.11  | 2.1   |          |      | 84         | 234   | 16.81  | 2.4   |          |      | 89         | 221   | 15.88  | 2.6   |          |      | 56         | 355   | 25.54      | 1.06  | F 47     | 4    | 66     | 301   | 21.66      | 1.25 |            |      | 73     | 272   | 19.56 | 1.38  |            |       | 83       | 239  | 17.21 | 1.57  |            |       | 87     | 226   | 16.25    | 1.66 |            |       | 103    | 192   | 13.83    | 1.95 |            |       | 113   | 175   | 12.57    | 2.2  |            |       | 130    | 151   | 10.89    | 2.5  | 156        | 126   | 9.08  | 2.5   | 99       | 199  | 14.33      | 0.94  | F 37   | 4    | 110      | 179  | 12.87      | 1.05  |       |      | 128      | 154  | 11.08      | 1.16  |       |      | 136      | 145  | 10.42      | 1.20  |       |      | 158      | 125  | 8.97       | 1.32  |       |      | 177      | 111  | 8.01       | 1.43  |       |      | 209      | 95   | 6.81       | 1.39  |       |      | 232      | 85   | 6.11       | 1.49  |       |      | 269      | 73   | 5.27       | 1.60  |       |      | 287      | 69   | 4.95       | 1.64  |       |      | 333      | 59   | 4.26       | 1.75  | 373   | 53   | 3.81     | 1.86 | <b>3kW</b> |       |       |      |          |      | <b>3kW</b> |       |       |      |          |      | 1.2        | 20991 | 1169  | 0.81 | F 157R97 | 4    | 1.2        | 20991 | 1169  | 0.81 |          |      | 1.5        | 17113 | 953   | 0.99 |          |      | 1.7        | 15173 | 845   | 1.12 |          |      | 1.9        | 13719 | 764        | 1.23 |          |      | 2.1        | 12211 | 680        | 1.39 |          |      | 2.5        | 10343 | 576   | 1.64  |          |      | 3.2        | 8009  | 446   | 2.1   |          |      | 4.7        | 5405  | 301   | 3.1  |          |       | 5.2        | 4884  | 272   | 3.5   |          |      | 6.1        | 4148  | 231   | 4.1  |          |       | 7.2        | 3520  | 196   | 4.8  |            |       |            |       |       |       |            |      |            |       |       |      |          |       |            |       |          |       |          |       |            |       |      |       |            |      |            |       |            |      |            |       |      |       |            |       |          |       |            |       |            |       |            |       |          |      |            |       |            |       |          |       |            |       |            |       |          |       |          |       |            |       |      |       |          |       |          |       |      |       |          |       |          |       |      |       |      |       |     |       |     |       |     |       |     |       |     |       |     |       |     |       |     |       |     |       |     |      |     |      |
| 8.1           | 2445       | 175.83   | 1.65                   |             |         | 9.0           | 2186       | 157.16     | 1.85                   |             |         | 10       | 1968 | 141.47     | 2.1   |          |       | 11      | 1782  | 128.12     | 2.3   |       |       | 7.2      | 2738 | 196.85     | 1.03  | F 87   | 4     | 7.9      | 2489 | 178.95     | 1.13  |        |       | 8.9      | 2220 | 159.61     | 1.27  |         |       | 11       | 1866 | 134.16     | 1.51  |         |       | 12       | 1715 | 126.29     | 1.64  |        |       | 13       | 1523 | 109.49     | 1.85  |        |      | 15       | 1361 | 97.89      | 2.1   |        |      | 16       | 1224 | 88.01      | 2.3   |        |      | 19         | 1062 | 76.39      | 2.7   |            |      | 21         | 951  | 68.40  | 3.0   |            |      | 25       | 789   | 56.75  | 3.6   |            |       | 28     | 699   | 50.29    | 4.0  |            |       | 31     | 629   | 45.22    | 4.2  |            |       | 12    | 1592  | 114.45   | 0.89 |            |       | F 77   | 4     | 13       | 1508 |            |       |        |       | 108.46   | 0.93 | 15         | 1320  |            |       | 94.93    | 1.07 | 17     | 1189  |            |      | 85.52    | 1.19 | 19     | 1043  |            |       | 75.02  | 1.35  | 21       | 922  |            |       | 66.28  | 1.53  | 24       | 809  |            |       | 58.16  | 1.74  | 32       | 624  |            |       | 44.84  | 0.90  | F 57     | 4    |            |       | 37     | 533   |          |      |            |       | 38.30      | 1.06 | 40       | 499  |        |       | 35.87      | 1.13 | 47         | 420  |        |       | 30.22  | 1.32  | 57         | 347   |            |      | 24.96  | 1.56  | 67     | 294   |            |       | 21.17    | 1.92 | 74     | 266   |            |       | 19.11  | 2.1   | 84       | 234  |            |       | 16.81  | 2.4   |          |      | 89         | 221   | 15.88  | 2.6   |          |      | 56         | 355   | 25.54  | 1.06  | F 47     | 4    | 66         | 301   | 21.66      | 1.25  |          |      | 73     | 272   | 19.56      | 1.38 |            |      | 83     | 239   | 17.21 | 1.57  |            |       | 87       | 226  | 16.25 | 1.66  |            |       | 103    | 192   | 13.83    | 1.95 |            |       | 113    | 175   | 12.57    | 2.2  |            |       | 130   | 151   | 10.89    | 2.5  | 156        | 126   | 9.08   | 2.5   | 99       | 199  | 14.33      | 0.94  | F 37  | 4     | 110      | 179  | 12.87      | 1.05  |        |      | 128      | 154  | 11.08      | 1.16  |       |      | 136      | 145  | 10.42      | 1.20  |       |      | 158      | 125  | 8.97       | 1.32  |       |      | 177      | 111  | 8.01       | 1.43  |       |      | 209      | 95   | 6.81       | 1.39  |       |      | 232      | 85   | 6.11       | 1.49  |       |      | 269      | 73   | 5.27       | 1.60  |       |      | 287      | 69   | 4.95       | 1.64  |       |      | 333      | 59   | 4.26       | 1.75  | 373   | 53   | 3.81     | 1.86 | <b>3kW</b> |       |       |      |          |      | <b>3kW</b> |       |       |      |          |      | 1.2        | 20991 | 1169  | 0.81 | F 157R97 | 4    | 1.2        | 20991 | 1169  | 0.81 |          |      | 1.5        | 17113 | 953   | 0.99 |          |      | 1.7        | 15173 | 845   | 1.12 |          |      | 1.9        | 13719 | 764   | 1.23 |          |      | 2.1        | 12211 | 680        | 1.39 |          |      | 2.5        | 10343 | 576        | 1.64 |          |      | 3.2        | 8009  | 446   | 2.1   |          |      | 4.7        | 5405  | 301   | 3.1   |          |      | 5.2        | 4884  | 272   | 3.5  |          |       | 6.1        | 4148  | 231   | 4.1   |          |      | 7.2        | 3520  | 196   | 4.8  |          |       |            |       |       |      |            |       |            |       |       |       |            |      |            |       |       |      |          |       |            |       |          |       |          |       |            |       |      |       |            |      |            |       |            |      |            |       |      |       |            |       |          |       |            |       |            |       |            |       |          |      |            |       |            |       |          |       |            |       |            |       |          |       |          |       |            |       |      |       |          |       |          |       |      |       |          |       |          |       |      |       |      |       |     |       |     |       |     |       |     |       |     |       |     |       |     |       |     |       |     |       |     |      |     |      |
| 9.0           | 2186       | 157.16   | 1.85                   |             |         | 10            | 1968       | 141.47     | 2.1                    |             |         | 11       | 1782 | 128.12     | 2.3   |          |       | 7.2     | 2738  | 196.85     | 1.03  | F 87  | 4     | 7.9      | 2489 | 178.95     | 1.13  |        |       | 8.9      | 2220 | 159.61     | 1.27  |        |       | 11       | 1866 | 134.16     | 1.51  |         |       | 12       | 1715 | 126.29     | 1.64  |         |       | 13       | 1523 | 109.49     | 1.85  |        |       | 15       | 1361 | 97.89      | 2.1   |        |      | 16       | 1224 | 88.01      | 2.3   |        |      | 19       | 1062 | 76.39      | 2.7   |        |      | 21         | 951  | 68.40      | 3.0   |            |      | 25         | 789  | 56.75  | 3.6   |            |      | 28       | 699   | 50.29  | 4.0   |            |       | 31     | 629   | 45.22    | 4.2  |            |       | 12     | 1592  | 114.45   | 0.89 |            |       | F 77  | 4     | 13       | 1508 |            |       |        |       | 108.46   | 0.93 | 15         | 1320  |        |       | 94.93    | 1.07 | 17         | 1189  |            |       | 85.52    | 1.19 | 19     | 1043  |            |      | 75.02    | 1.35 | 21     | 922   |            |       | 66.28  | 1.53  | 24       | 809  |            |       | 58.16  | 1.74  | 32       | 624  |            |       | 44.84  | 0.90  | F 57     | 4    |            |       | 37     | 533   |          |      |            |       | 38.30  | 1.06  |          |      | 40         | 499   | 35.87      | 1.13 | 47       | 420  |        |       | 30.22      | 1.32 | 57         | 347  |        |       | 24.96  | 1.56  | 67         | 294   |            |      | 21.17  | 1.92  | 74     | 266   |            |       | 19.11    | 2.1  | 84     | 234   |            |       | 16.81  | 2.4   | 89       | 221  |            |       | 15.88  | 2.6   |          |      | 56         | 355   | 25.54  | 1.06  | F 47     | 4    | 66         | 301   | 21.66  | 1.25  |          |      | 73         | 272   | 19.56      | 1.38  |          |      | 83     | 239   | 17.21      | 1.57 |            |      | 87     | 226   | 16.25 | 1.66  |            |       | 103      | 192  | 13.83 | 1.95  |            |       | 113    | 175   | 12.57    | 2.2  |            |       | 130    | 151   | 10.89    | 2.5  | 156        | 126   | 9.08  | 2.5   | 99       | 199  | 14.33      | 0.94  | F 37   | 4     | 110      | 179  | 12.87      | 1.05  |       |       | 128      | 154  | 11.08      | 1.16  |        |      | 136      | 145  | 10.42      | 1.20  |       |      | 158      | 125  | 8.97       | 1.32  |       |      | 177      | 111  | 8.01       | 1.43  |       |      | 209      | 95   | 6.81       | 1.39  |       |      | 232      | 85   | 6.11       | 1.49  |       |      | 269      | 73   | 5.27       | 1.60  |       |      | 287      | 69   | 4.95       | 1.64  |       |      | 333      | 59   | 4.26       | 1.75  | 373   | 53   | 3.81     | 1.86 | <b>3kW</b> |       |       |      |          |      | <b>3kW</b> |       |       |      |          |      | 1.2        | 20991 | 1169  | 0.81 | F 157R97 | 4    | 1.2        | 20991 | 1169  | 0.81 |          |      | 1.5        | 17113 | 953   | 0.99 |          |      | 1.7        | 15173 | 845   | 1.12 |          |      | 1.9        | 13719 | 764   | 1.23 |          |      | 2.1        | 12211 | 680   | 1.39 |          |      | 2.5        | 10343 | 576        | 1.64 |          |      | 3.2        | 8009  | 446        | 2.1  |          |      | 4.7        | 5405  | 301   | 3.1   |          |      | 5.2        | 4884  | 272   | 3.5   |          |      | 6.1        | 4148  | 231   | 4.1  |          |       | 7.2        | 3520  | 196   | 4.8   |          |      |            |       |       |      |          |       |            |       |       |      |            |       |            |       |       |       |            |      |            |       |       |      |          |       |            |       |          |       |          |       |            |       |      |       |            |      |            |       |            |      |            |       |      |       |            |       |          |       |            |       |            |       |            |       |          |      |            |       |            |       |          |       |            |       |            |       |          |       |          |       |            |       |      |       |          |       |          |       |      |       |          |       |          |       |      |       |      |       |     |       |     |       |     |       |     |       |     |       |     |       |     |       |     |       |     |       |     |      |     |      |
| 10            | 1968       | 141.47   | 2.1                    |             |         | 11            | 1782       | 128.12     | 2.3                    |             |         | 7.2      | 2738 | 196.85     | 1.03  | F 87     | 4     | 7.9     | 2489  | 178.95     | 1.13  |       |       | 8.9      | 2220 | 159.61     | 1.27  |        |       | 11       | 1866 | 134.16     | 1.51  |        |       | 12       | 1715 | 126.29     | 1.64  |         |       | 13       | 1523 | 109.49     | 1.85  |         |       | 15       | 1361 | 97.89      | 2.1   |        |       | 16       | 1224 | 88.01      | 2.3   |        |      | 19       | 1062 | 76.39      | 2.7   |        |      | 21       | 951  | 68.40      | 3.0   |        |      | 25         | 789  | 56.75      | 3.6   |            |      | 28         | 699  | 50.29  | 4.0   |            |      | 31       | 629   | 45.22  | 4.2   |            |       | 12     | 1592  | 114.45   | 0.89 |            |       | F 77   | 4     | 13       | 1508 |            |       |       |       | 108.46   | 0.93 | 15         | 1320  |        |       | 94.93    | 1.07 | 17         | 1189  |        |       | 85.52    | 1.19 | 19         | 1043  |            |       | 75.02    | 1.35 | 21     | 922   |            |      | 66.28    | 1.53 | 24     | 809   |            |       | 58.16  | 1.74  | 32       | 624  |            |       | 44.84  | 0.90  | F 57     | 4    |            |       | 37     | 533   |          |      |            |       | 38.30  | 1.06  |          |      | 40         | 499   | 35.87  | 1.13  |          |      | 47         | 420   | 30.22      | 1.32 | 57       | 347  |        |       | 24.96      | 1.56 | 67         | 294  |        |       | 21.17  | 1.92  | 74         | 266   |            |      | 19.11  | 2.1   | 84     | 234   |            |       | 16.81    | 2.4  | 89     | 221   |            |       | 15.88  | 2.6   | 56       | 355  |            |       | 25.54  | 1.06  | F 47     | 4    | 66         | 301   | 21.66  | 1.25  |          |      | 73         | 272   | 19.56  | 1.38  |          |      | 83         | 239   | 17.21      | 1.57  |          |      | 87     | 226   | 16.25      | 1.66 |            |      | 103    | 192   | 13.83 | 1.95  |            |       | 113      | 175  | 12.57 | 2.2   |            |       | 130    | 151   | 10.89    | 2.5  | 156        | 126   | 9.08   | 2.5   | 99       | 199  | 14.33      | 0.94  | F 37  | 4     | 110      | 179  | 12.87      | 1.05  |        |       | 128      | 154  | 11.08      | 1.16  |       |       | 136      | 145  | 10.42      | 1.20  |        |      | 158      | 125  | 8.97       | 1.32  |       |      | 177      | 111  | 8.01       | 1.43  |       |      | 209      | 95   | 6.81       | 1.39  |       |      | 232      | 85   | 6.11       | 1.49  |       |      | 269      | 73   | 5.27       | 1.60  |       |      | 287      | 69   | 4.95       | 1.64  |       |      | 333      | 59   | 4.26       | 1.75  | 373   | 53   | 3.81     | 1.86 | <b>3kW</b> |       |       |      |          |      | <b>3kW</b> |       |       |      |          |      | 1.2        | 20991 | 1169  | 0.81 | F 157R97 | 4    | 1.2        | 20991 | 1169  | 0.81 |          |      | 1.5        | 17113 | 953   | 0.99 |          |      | 1.7        | 15173 | 845   | 1.12 |          |      | 1.9        | 13719 | 764   | 1.23 |          |      | 2.1        | 12211 | 680   | 1.39 |          |      | 2.5        | 10343 | 576   | 1.64 |          |      | 3.2        | 8009  | 446        | 2.1  |          |      | 4.7        | 5405  | 301        | 3.1  |          |      | 5.2        | 4884  | 272   | 3.5   |          |      | 6.1        | 4148  | 231   | 4.1   |          |      | 7.2        | 3520  | 196   | 4.8  |          |       |            |       |       |       |          |      |            |       |       |      |          |       |            |       |       |      |            |       |            |       |       |       |            |      |            |       |       |      |          |       |            |       |          |       |          |       |            |       |      |       |            |      |            |       |            |      |            |       |      |       |            |       |          |       |            |       |            |       |            |       |          |      |            |       |            |       |          |       |            |       |            |       |          |       |          |       |            |       |      |       |          |       |          |       |      |       |          |       |          |       |      |       |      |       |     |       |     |       |     |       |     |       |     |       |     |       |     |       |     |       |     |       |     |      |     |      |
| 11            | 1782       | 128.12   | 2.3                    |             |         | 7.2           | 2738       | 196.85     | 1.03                   | F 87        | 4       | 7.9      | 2489 | 178.95     | 1.13  |          |       | 8.9     | 2220  | 159.61     | 1.27  |       |       | 11       | 1866 | 134.16     | 1.51  |        |       | 12       | 1715 | 126.29     | 1.64  |        |       | 13       | 1523 | 109.49     | 1.85  |         |       | 15       | 1361 | 97.89      | 2.1   |         |       | 16       | 1224 | 88.01      | 2.3   |        |       | 19       | 1062 | 76.39      | 2.7   |        |      | 21       | 951  | 68.40      | 3.0   |        |      | 25       | 789  | 56.75      | 3.6   |        |      | 28         | 699  | 50.29      | 4.0   |            |      | 31         | 629  | 45.22  | 4.2   |            |      | 12       | 1592  | 114.45 | 0.89  |            |       | F 77   | 4     | 13       | 1508 |            |       |        |       | 108.46   | 0.93 | 15         | 1320  |       |       | 94.93    | 1.07 | 17         | 1189  |        |       | 85.52    | 1.19 | 19         | 1043  |        |       | 75.02    | 1.35 | 21         | 922   |            |       | 66.28    | 1.53 | 24     | 809   |            |      | 58.16    | 1.74 | 32     | 624   |            |       | 44.84  | 0.90  | F 57     | 4    |            |       | 37     | 533   |          |      |            |       | 38.30  | 1.06  |          |      | 40         | 499   | 35.87  | 1.13  |          |      | 47         | 420   | 30.22  | 1.32  |          |      | 57         | 347   | 24.96      | 1.56 | 67       | 294  |        |       | 21.17      | 1.92 | 74         | 266  |        |       | 19.11  | 2.1   | 84         | 234   |            |      | 16.81  | 2.4   | 89     | 221   |            |       | 15.88    | 2.6  | 56     | 355   |            |       | 25.54  | 1.06  | F 47     | 4    | 66         | 301   | 21.66  | 1.25  |          |      | 73         | 272   | 19.56  | 1.38  |          |      | 83         | 239   | 17.21  | 1.57  |          |      | 87         | 226   | 16.25      | 1.66  |          |      | 103    | 192   | 13.83      | 1.95 |            |      | 113    | 175   | 12.57 | 2.2   |            |       | 130      | 151  | 10.89 | 2.5   | 156        | 126   | 9.08   | 2.5   | 99       | 199  | 14.33      | 0.94  | F 37   | 4     | 110      | 179  | 12.87      | 1.05  |       |       | 128      | 154  | 11.08      | 1.16  |        |       | 136      | 145  | 10.42      | 1.20  |       |       | 158      | 125  | 8.97       | 1.32  |        |      | 177      | 111  | 8.01       | 1.43  |       |      | 209      | 95   | 6.81       | 1.39  |       |      | 232      | 85   | 6.11       | 1.49  |       |      | 269      | 73   | 5.27       | 1.60  |       |      | 287      | 69   | 4.95       | 1.64  |       |      | 333      | 59   | 4.26       | 1.75  | 373   | 53   | 3.81     | 1.86 | <b>3kW</b> |       |       |      |          |      | <b>3kW</b> |       |       |      |          |      | 1.2        | 20991 | 1169  | 0.81 | F 157R97 | 4    | 1.2        | 20991 | 1169  | 0.81 |          |      | 1.5        | 17113 | 953   | 0.99 |          |      | 1.7        | 15173 | 845   | 1.12 |          |      | 1.9        | 13719 | 764   | 1.23 |          |      | 2.1        | 12211 | 680   | 1.39 |          |      | 2.5        | 10343 | 576   | 1.64 |          |      | 3.2        | 8009  | 446   | 2.1  |          |      | 4.7        | 5405  | 301        | 3.1  |          |      | 5.2        | 4884  | 272        | 3.5  |          |      | 6.1        | 4148  | 231   | 4.1   |          |      | 7.2        | 3520  | 196   | 4.8   |          |      |            |       |       |      |          |       |            |       |       |       |          |      |            |       |       |      |          |       |            |       |       |      |            |       |            |       |       |       |            |      |            |       |       |      |          |       |            |       |          |       |          |       |            |       |      |       |            |      |            |       |            |      |            |       |      |       |            |       |          |       |            |       |            |       |            |       |          |      |            |       |            |       |          |       |            |       |            |       |          |       |          |       |            |       |      |       |          |       |          |       |      |       |          |       |          |       |      |       |      |       |     |       |     |       |     |       |     |       |     |       |     |       |     |       |     |       |     |       |     |      |     |      |
| 7.2           | 2738       | 196.85   | 1.03                   | F 87        | 4       | 7.9           | 2489       | 178.95     | 1.13                   |             |         | 8.9      | 2220 | 159.61     | 1.27  |          |       | 11      | 1866  | 134.16     | 1.51  |       |       | 12       | 1715 | 126.29     | 1.64  |        |       | 13       | 1523 | 109.49     | 1.85  |        |       | 15       | 1361 | 97.89      | 2.1   |         |       | 16       | 1224 | 88.01      | 2.3   |         |       | 19       | 1062 | 76.39      | 2.7   |        |       | 21       | 951  | 68.40      | 3.0   |        |      | 25       | 789  | 56.75      | 3.6   |        |      | 28       | 699  | 50.29      | 4.0   |        |      | 31         | 629  | 45.22      | 4.2   |            |      | 12         | 1592 | 114.45 | 0.89  |            |      | F 77     | 4     | 13     | 1508  |            |       |        |       | 108.46   | 0.93 | 15         | 1320  |        |       | 94.93    | 1.07 | 17         | 1189  |       |       | 85.52    | 1.19 | 19         | 1043  |        |       | 75.02    | 1.35 | 21         | 922   |        |       | 66.28    | 1.53 | 24         | 809   |            |       | 58.16    | 1.74 | 32     | 624   |            |      | 44.84    | 0.90 | F 57   | 4     |            |       | 37     | 533   |          |      |            |       | 38.30  | 1.06  |          |      | 40         | 499   | 35.87  | 1.13  |          |      | 47         | 420   | 30.22  | 1.32  |          |      | 57         | 347   | 24.96  | 1.56  |          |      | 67         | 294   | 21.17      | 1.92 | 74       | 266  |        |       | 19.11      | 2.1  | 84         | 234  |        |       | 16.81  | 2.4   | 89         | 221   |            |      | 15.88  | 2.6   | 56     | 355   |            |       | 25.54    | 1.06 | F 47   | 4     | 66         | 301   | 21.66  | 1.25  |          |      | 73         | 272   | 19.56  | 1.38  |          |      | 83         | 239   | 17.21  | 1.57  |          |      | 87         | 226   | 16.25  | 1.66  |          |      | 103        | 192   | 13.83      | 1.95  |          |      | 113    | 175   | 12.57      | 2.2  |            |      | 130    | 151   | 10.89 | 2.5   | 156        | 126   | 9.08     | 2.5  | 99    | 199   | 14.33      | 0.94  | F 37   | 4     | 110      | 179  | 12.87      | 1.05  |        |       | 128      | 154  | 11.08      | 1.16  |       |       | 136      | 145  | 10.42      | 1.20  |        |       | 158      | 125  | 8.97       | 1.32  |       |       | 177      | 111  | 8.01       | 1.43  |        |      | 209      | 95   | 6.81       | 1.39  |       |      | 232      | 85   | 6.11       | 1.49  |       |      | 269      | 73   | 5.27       | 1.60  |       |      | 287      | 69   | 4.95       | 1.64  |       |      | 333      | 59   | 4.26       | 1.75  | 373   | 53   | 3.81     | 1.86 | <b>3kW</b> |       |       |      |          |      | <b>3kW</b> |       |       |      |          |      | 1.2        | 20991 | 1169  | 0.81 | F 157R97 | 4    | 1.2        | 20991 | 1169  | 0.81 |          |      | 1.5        | 17113 | 953   | 0.99 |          |      | 1.7        | 15173 | 845   | 1.12 |          |      | 1.9        | 13719 | 764   | 1.23 |          |      | 2.1        | 12211 | 680   | 1.39 |          |      | 2.5        | 10343 | 576   | 1.64 |          |      | 3.2        | 8009  | 446   | 2.1  |          |      | 4.7        | 5405  | 301   | 3.1  |          |      | 5.2        | 4884  | 272        | 3.5  |          |      | 6.1        | 4148  | 231        | 4.1  |          |      | 7.2        | 3520  | 196   | 4.8   |          |      |            |       |       |       |          |      |            |       |       |      |          |       |            |       |       |       |          |      |            |       |       |      |          |       |            |       |       |      |            |       |            |       |       |       |            |      |            |       |       |      |          |       |            |       |          |       |          |       |            |       |      |       |            |      |            |       |            |      |            |       |      |       |            |       |          |       |            |       |            |       |            |       |          |      |            |       |            |       |          |       |            |       |            |       |          |       |          |       |            |       |      |       |          |       |          |       |      |       |          |       |          |       |      |       |      |       |     |       |     |       |     |       |     |       |     |       |     |       |     |       |     |       |     |       |     |      |     |      |
| 7.9           | 2489       | 178.95   | 1.13                   |             |         | 8.9           | 2220       | 159.61     | 1.27                   |             |         | 11       | 1866 | 134.16     | 1.51  |          |       | 12      | 1715  | 126.29     | 1.64  |       |       | 13       | 1523 | 109.49     | 1.85  |        |       | 15       | 1361 | 97.89      | 2.1   |        |       | 16       | 1224 | 88.01      | 2.3   |         |       | 19       | 1062 | 76.39      | 2.7   |         |       | 21       | 951  | 68.40      | 3.0   |        |       | 25       | 789  | 56.75      | 3.6   |        |      | 28       | 699  | 50.29      | 4.0   |        |      | 31       | 629  | 45.22      | 4.2   |        |      | 12         | 1592 | 114.45     | 0.89  |            |      | F 77       | 4    | 13     | 1508  |            |      |          |       | 108.46 | 0.93  | 15         | 1320  |        |       | 94.93    | 1.07 | 17         | 1189  |        |       | 85.52    | 1.19 | 19         | 1043  |       |       | 75.02    | 1.35 | 21         | 922   |        |       | 66.28    | 1.53 | 24         | 809   |        |       | 58.16    | 1.74 | 32         | 624   |            |       | 44.84    | 0.90 | F 57   | 4     |            |      | 37       | 533  |        |       |            |       | 38.30  | 1.06  |          |      | 40         | 499   | 35.87  | 1.13  |          |      | 47         | 420   | 30.22  | 1.32  |          |      | 57         | 347   | 24.96  | 1.56  |          |      | 67         | 294   | 21.17  | 1.92  |          |      | 74         | 266   | 19.11      | 2.1  | 84       | 234  |        |       | 16.81      | 2.4  | 89         | 221  |        |       | 15.88  | 2.6   | 56         | 355   |            |      | 25.54  | 1.06  | F 47   | 4     | 66         | 301   | 21.66    | 1.25 |        |       | 73         | 272   | 19.56  | 1.38  |          |      | 83         | 239   | 17.21  | 1.57  |          |      | 87         | 226   | 16.25  | 1.66  |          |      | 103        | 192   | 13.83  | 1.95  |          |      | 113        | 175   | 12.57      | 2.2   |          |      | 130    | 151   | 10.89      | 2.5  | 156        | 126  | 9.08   | 2.5   | 99    | 199   | 14.33      | 0.94  | F 37     | 4    | 110   | 179   | 12.87      | 1.05  |        |       | 128      | 154  | 11.08      | 1.16  |        |       | 136      | 145  | 10.42      | 1.20  |       |       | 158      | 125  | 8.97       | 1.32  |        |       | 177      | 111  | 8.01       | 1.43  |       |       | 209      | 95   | 6.81       | 1.39  |        |      | 232      | 85   | 6.11       | 1.49  |       |      | 269      | 73   | 5.27       | 1.60  |       |      | 287      | 69   | 4.95       | 1.64  |       |      | 333      | 59   | 4.26       | 1.75  | 373   | 53   | 3.81     | 1.86 | <b>3kW</b> |       |       |      |          |      | <b>3kW</b> |       |       |      |          |      | 1.2        | 20991 | 1169  | 0.81 | F 157R97 | 4    | 1.2        | 20991 | 1169  | 0.81 |          |      | 1.5        | 17113 | 953   | 0.99 |          |      | 1.7        | 15173 | 845   | 1.12 |          |      | 1.9        | 13719 | 764   | 1.23 |          |      | 2.1        | 12211 | 680   | 1.39 |          |      | 2.5        | 10343 | 576   | 1.64 |          |      | 3.2        | 8009  | 446   | 2.1  |          |      | 4.7        | 5405  | 301   | 3.1  |          |      | 5.2        | 4884  | 272   | 3.5  |          |      | 6.1        | 4148  | 231        | 4.1  |          |      | 7.2        | 3520  | 196        | 4.8  |          |      |            |       |       |       |          |      |            |       |       |       |          |      |            |       |       |      |          |       |            |       |       |       |          |      |            |       |       |      |          |       |            |       |       |      |            |       |            |       |       |       |            |      |            |       |       |      |          |       |            |       |          |       |          |       |            |       |      |       |            |      |            |       |            |      |            |       |      |       |            |       |          |       |            |       |            |       |            |       |          |      |            |       |            |       |          |       |            |       |            |       |          |       |          |       |            |       |      |       |          |       |          |       |      |       |          |       |          |       |      |       |      |       |     |       |     |       |     |       |     |       |     |       |     |       |     |       |     |       |     |       |     |      |     |      |
| 8.9           | 2220       | 159.61   | 1.27                   |             |         | 11            | 1866       | 134.16     | 1.51                   |             |         | 12       | 1715 | 126.29     | 1.64  |          |       | 13      | 1523  | 109.49     | 1.85  |       |       | 15       | 1361 | 97.89      | 2.1   |        |       | 16       | 1224 | 88.01      | 2.3   |        |       | 19       | 1062 | 76.39      | 2.7   |         |       | 21       | 951  | 68.40      | 3.0   |         |       | 25       | 789  | 56.75      | 3.6   |        |       | 28       | 699  | 50.29      | 4.0   |        |      | 31       | 629  | 45.22      | 4.2   |        |      | 12       | 1592 | 114.45     | 0.89  |        |      | F 77       | 4    | 13         | 1508  |            |      |            |      | 108.46 | 0.93  | 15         | 1320 |          |       | 94.93  | 1.07  | 17         | 1189  |        |       | 85.52    | 1.19 | 19         | 1043  |        |       | 75.02    | 1.35 | 21         | 922   |       |       | 66.28    | 1.53 | 24         | 809   |        |       | 58.16    | 1.74 | 32         | 624   |        |       | 44.84    | 0.90 | F 57       | 4     |            |       | 37       | 533  |        |       |            |      | 38.30    | 1.06 |        |       | 40         | 499   | 35.87  | 1.13  |          |      | 47         | 420   | 30.22  | 1.32  |          |      | 57         | 347   | 24.96  | 1.56  |          |      | 67         | 294   | 21.17  | 1.92  |          |      | 74         | 266   | 19.11  | 2.1   |          |      | 84         | 234   | 16.81      | 2.4  | 89       | 221  |        |       | 15.88      | 2.6  | 56         | 355  |        |       | 25.54  | 1.06  | F 47       | 4     | 66         | 301  | 21.66  | 1.25  |        |       | 73         | 272   | 19.56    | 1.38 |        |       | 83         | 239   | 17.21  | 1.57  |          |      | 87         | 226   | 16.25  | 1.66  |          |      | 103        | 192   | 13.83  | 1.95  |          |      | 113        | 175   | 12.57  | 2.2   |          |      | 130        | 151   | 10.89      | 2.5   | 156      | 126  | 9.08   | 2.5   | 99         | 199  | 14.33      | 0.94 | F 37   | 4     | 110   | 179   | 12.87      | 1.05  |          |      | 128   | 154   | 11.08      | 1.16  |        |       | 136      | 145  | 10.42      | 1.20  |        |       | 158      | 125  | 8.97       | 1.32  |       |       | 177      | 111  | 8.01       | 1.43  |        |       | 209      | 95   | 6.81       | 1.39  |       |       | 232      | 85   | 6.11       | 1.49  |        |      | 269      | 73   | 5.27       | 1.60  |       |      | 287      | 69   | 4.95       | 1.64  |       |      | 333      | 59   | 4.26       | 1.75  | 373   | 53   | 3.81     | 1.86 | <b>3kW</b> |       |       |      |          |      | <b>3kW</b> |       |       |      |          |      | 1.2        | 20991 | 1169  | 0.81 | F 157R97 | 4    | 1.2        | 20991 | 1169  | 0.81 |          |      | 1.5        | 17113 | 953   | 0.99 |          |      | 1.7        | 15173 | 845   | 1.12 |          |      | 1.9        | 13719 | 764   | 1.23 |          |      | 2.1        | 12211 | 680   | 1.39 |          |      | 2.5        | 10343 | 576   | 1.64 |          |      | 3.2        | 8009  | 446   | 2.1  |          |      | 4.7        | 5405  | 301   | 3.1  |          |      | 5.2        | 4884  | 272   | 3.5  |          |      | 6.1        | 4148  | 231   | 4.1  |          |      | 7.2        | 3520  | 196        | 4.8  |          |      |            |       |            |      |          |      |            |       |       |       |          |      |            |       |       |       |          |      |            |       |       |      |          |       |            |       |       |       |          |      |            |       |       |      |          |       |            |       |       |      |            |       |            |       |       |       |            |      |            |       |       |      |          |       |            |       |          |       |          |       |            |       |      |       |            |      |            |       |            |      |            |       |      |       |            |       |          |       |            |       |            |       |            |       |          |      |            |       |            |       |          |       |            |       |            |       |          |       |          |       |            |       |      |       |          |       |          |       |      |       |          |       |          |       |      |       |      |       |     |       |     |       |     |       |     |       |     |       |     |       |     |       |     |       |     |       |     |      |     |      |
| 11            | 1866       | 134.16   | 1.51                   |             |         | 12            | 1715       | 126.29     | 1.64                   |             |         | 13       | 1523 | 109.49     | 1.85  |          |       | 15      | 1361  | 97.89      | 2.1   |       |       | 16       | 1224 | 88.01      | 2.3   |        |       | 19       | 1062 | 76.39      | 2.7   |        |       | 21       | 951  | 68.40      | 3.0   |         |       | 25       | 789  | 56.75      | 3.6   |         |       | 28       | 699  | 50.29      | 4.0   |        |       | 31       | 629  | 45.22      | 4.2   |        |      | 12       | 1592 | 114.45     | 0.89  |        |      | F 77     | 4    | 13         | 1508  |        |      |            |      | 108.46     | 0.93  | 15         | 1320 |            |      | 94.93  | 1.07  | 17         | 1189 |          |       | 85.52  | 1.19  | 19         | 1043  |        |       | 75.02    | 1.35 | 21         | 922   |        |       | 66.28    | 1.53 | 24         | 809   |       |       | 58.16    | 1.74 | 32         | 624   |        |       | 44.84    | 0.90 | F 57       | 4     |        |       | 37       | 533  |            |       |            |       | 38.30    | 1.06 |        |       | 40         | 499  | 35.87    | 1.13 |        |       | 47         | 420   | 30.22  | 1.32  |          |      | 57         | 347   | 24.96  | 1.56  |          |      | 67         | 294   | 21.17  | 1.92  |          |      | 74         | 266   | 19.11  | 2.1   |          |      | 84         | 234   | 16.81  | 2.4   |          |      | 89         | 221   | 15.88      | 2.6  | 56       | 355  |        |       | 25.54      | 1.06 | F 47       | 4    | 66     | 301   | 21.66  | 1.25  |            |       | 73         | 272  | 19.56  | 1.38  |        |       | 83         | 239   | 17.21    | 1.57 |        |       | 87         | 226   | 16.25  | 1.66  |          |      | 103        | 192   | 13.83  | 1.95  |          |      | 113        | 175   | 12.57  | 2.2   |          |      | 130        | 151   | 10.89  | 2.5   | 156      | 126  | 9.08       | 2.5   | 99         | 199   | 14.33    | 0.94 | F 37   | 4     | 110        | 179  | 12.87      | 1.05 |        |       | 128   | 154   | 11.08      | 1.16  |          |      | 136   | 145   | 10.42      | 1.20  |        |       | 158      | 125  | 8.97       | 1.32  |        |       | 177      | 111  | 8.01       | 1.43  |       |       | 209      | 95   | 6.81       | 1.39  |        |       | 232      | 85   | 6.11       | 1.49  |       |       | 269      | 73   | 5.27       | 1.60  |        |      | 287      | 69   | 4.95       | 1.64  |       |      | 333      | 59   | 4.26       | 1.75  | 373   | 53   | 3.81     | 1.86 | <b>3kW</b> |       |       |      |          |      | <b>3kW</b> |       |       |      |          |      | 1.2        | 20991 | 1169  | 0.81 | F 157R97 | 4    | 1.2        | 20991 | 1169  | 0.81 |          |      | 1.5        | 17113 | 953   | 0.99 |          |      | 1.7        | 15173 | 845   | 1.12 |          |      | 1.9        | 13719 | 764   | 1.23 |          |      | 2.1        | 12211 | 680   | 1.39 |          |      | 2.5        | 10343 | 576   | 1.64 |          |      | 3.2        | 8009  | 446   | 2.1  |          |      | 4.7        | 5405  | 301   | 3.1  |          |      | 5.2        | 4884  | 272   | 3.5  |          |      | 6.1        | 4148  | 231   | 4.1  |          |      | 7.2        | 3520  | 196   | 4.8  |          |      |            |       |            |      |          |      |            |       |            |      |          |      |            |       |       |       |          |      |            |       |       |       |          |      |            |       |       |      |          |       |            |       |       |       |          |      |            |       |       |      |          |       |            |       |       |      |            |       |            |       |       |       |            |      |            |       |       |      |          |       |            |       |          |       |          |       |            |       |      |       |            |      |            |       |            |      |            |       |      |       |            |       |          |       |            |       |            |       |            |       |          |      |            |       |            |       |          |       |            |       |            |       |          |       |          |       |            |       |      |       |          |       |          |       |      |       |          |       |          |       |      |       |      |       |     |       |     |       |     |       |     |       |     |       |     |       |     |       |     |       |     |       |     |      |     |      |
| 12            | 1715       | 126.29   | 1.64                   |             |         | 13            | 1523       | 109.49     | 1.85                   |             |         | 15       | 1361 | 97.89      | 2.1   |          |       | 16      | 1224  | 88.01      | 2.3   |       |       | 19       | 1062 | 76.39      | 2.7   |        |       | 21       | 951  | 68.40      | 3.0   |        |       | 25       | 789  | 56.75      | 3.6   |         |       | 28       | 699  | 50.29      | 4.0   |         |       | 31       | 629  | 45.22      | 4.2   |        |       | 12       | 1592 | 114.45     | 0.89  |        |      | F 77     | 4    | 13         | 1508  |        |      |          |      | 108.46     | 0.93  | 15     | 1320 |            |      | 94.93      | 1.07  | 17         | 1189 |            |      | 85.52  | 1.19  | 19         | 1043 |          |       | 75.02  | 1.35  | 21         | 922   |        |       | 66.28    | 1.53 | 24         | 809   |        |       | 58.16    | 1.74 | 32         | 624   |       |       | 44.84    | 0.90 | F 57       | 4     |        |       | 37       | 533  |            |       |        |       | 38.30    | 1.06 |            |       | 40         | 499   | 35.87    | 1.13 |        |       | 47         | 420  | 30.22    | 1.32 |        |       | 57         | 347   | 24.96  | 1.56  |          |      | 67         | 294   | 21.17  | 1.92  |          |      | 74         | 266   | 19.11  | 2.1   |          |      | 84         | 234   | 16.81  | 2.4   |          |      | 89         | 221   | 15.88  | 2.6   |          |      | 56         | 355   | 25.54      | 1.06 | F 47     | 4    | 66     | 301   | 21.66      | 1.25 |            |      | 73     | 272   | 19.56  | 1.38  |            |       | 83         | 239  | 17.21  | 1.57  |        |       | 87         | 226   | 16.25    | 1.66 |        |       | 103        | 192   | 13.83  | 1.95  |          |      | 113        | 175   | 12.57  | 2.2   |          |      | 130        | 151   | 10.89  | 2.5   | 156      | 126  | 9.08       | 2.5   | 99     | 199   | 14.33    | 0.94 | F 37       | 4     | 110        | 179   | 12.87    | 1.05 |        |       | 128        | 154  | 11.08      | 1.16 |        |       | 136   | 145   | 10.42      | 1.20  |          |      | 158   | 125   | 8.97       | 1.32  |        |       | 177      | 111  | 8.01       | 1.43  |        |       | 209      | 95   | 6.81       | 1.39  |       |       | 232      | 85   | 6.11       | 1.49  |        |       | 269      | 73   | 5.27       | 1.60  |       |       | 287      | 69   | 4.95       | 1.64  |        |      | 333      | 59   | 4.26       | 1.75  | 373   | 53   | 3.81     | 1.86 | <b>3kW</b> |       |       |      |          |      | <b>3kW</b> |       |       |      |          |      | 1.2        | 20991 | 1169  | 0.81 | F 157R97 | 4    | 1.2        | 20991 | 1169  | 0.81 |          |      | 1.5        | 17113 | 953   | 0.99 |          |      | 1.7        | 15173 | 845   | 1.12 |          |      | 1.9        | 13719 | 764   | 1.23 |          |      | 2.1        | 12211 | 680   | 1.39 |          |      | 2.5        | 10343 | 576   | 1.64 |          |      | 3.2        | 8009  | 446   | 2.1  |          |      | 4.7        | 5405  | 301   | 3.1  |          |      | 5.2        | 4884  | 272   | 3.5  |          |      | 6.1        | 4148  | 231   | 4.1  |          |      | 7.2        | 3520  | 196   | 4.8  |          |      |            |       |       |      |          |      |            |       |            |      |          |      |            |       |            |      |          |      |            |       |       |       |          |      |            |       |       |       |          |      |            |       |       |      |          |       |            |       |       |       |          |      |            |       |       |      |          |       |            |       |       |      |            |       |            |       |       |       |            |      |            |       |       |      |          |       |            |       |          |       |          |       |            |       |      |       |            |      |            |       |            |      |            |       |      |       |            |       |          |       |            |       |            |       |            |       |          |      |            |       |            |       |          |       |            |       |            |       |          |       |          |       |            |       |      |       |          |       |          |       |      |       |          |       |          |       |      |       |      |       |     |       |     |       |     |       |     |       |     |       |     |       |     |       |     |       |     |       |     |      |     |      |
| 13            | 1523       | 109.49   | 1.85                   |             |         | 15            | 1361       | 97.89      | 2.1                    |             |         | 16       | 1224 | 88.01      | 2.3   |          |       | 19      | 1062  | 76.39      | 2.7   |       |       | 21       | 951  | 68.40      | 3.0   |        |       | 25       | 789  | 56.75      | 3.6   |        |       | 28       | 699  | 50.29      | 4.0   |         |       | 31       | 629  | 45.22      | 4.2   |         |       | 12       | 1592 | 114.45     | 0.89  |        |       | F 77     | 4    | 13         | 1508  |        |      |          |      | 108.46     | 0.93  | 15     | 1320 |          |      | 94.93      | 1.07  | 17     | 1189 |            |      | 85.52      | 1.19  | 19         | 1043 |            |      | 75.02  | 1.35  | 21         | 922  |          |       | 66.28  | 1.53  | 24         | 809   |        |       | 58.16    | 1.74 | 32         | 624   |        |       | 44.84    | 0.90 | F 57       | 4     |       |       | 37       | 533  |            |       |        |       | 38.30    | 1.06 |            |       | 40     | 499   | 35.87    | 1.13 |            |       | 47         | 420   | 30.22    | 1.32 |        |       | 57         | 347  | 24.96    | 1.56 |        |       | 67         | 294   | 21.17  | 1.92  |          |      | 74         | 266   | 19.11  | 2.1   |          |      | 84         | 234   | 16.81  | 2.4   |          |      | 89         | 221   | 15.88  | 2.6   |          |      | 56         | 355   | 25.54  | 1.06  | F 47     | 4    | 66         | 301   | 21.66      | 1.25 |          |      | 73     | 272   | 19.56      | 1.38 |            |      | 83     | 239   | 17.21  | 1.57  |            |       | 87         | 226  | 16.25  | 1.66  |        |       | 103        | 192   | 13.83    | 1.95 |        |       | 113        | 175   | 12.57  | 2.2   |          |      | 130        | 151   | 10.89  | 2.5   | 156      | 126  | 9.08       | 2.5   | 99     | 199   | 14.33    | 0.94 | F 37       | 4     | 110    | 179   | 12.87    | 1.05 |            |       | 128        | 154   | 11.08    | 1.16 |        |       | 136        | 145  | 10.42      | 1.20 |        |       | 158   | 125   | 8.97       | 1.32  |          |      | 177   | 111   | 8.01       | 1.43  |        |       | 209      | 95   | 6.81       | 1.39  |        |       | 232      | 85   | 6.11       | 1.49  |       |       | 269      | 73   | 5.27       | 1.60  |        |       | 287      | 69   | 4.95       | 1.64  |       |       | 333      | 59   | 4.26       | 1.75  | 373    | 53   | 3.81     | 1.86 | <b>3kW</b> |       |       |      |          |      | <b>3kW</b> |       |       |      |          |      | 1.2        | 20991 | 1169  | 0.81 | F 157R97 | 4    | 1.2        | 20991 | 1169  | 0.81 |          |      | 1.5        | 17113 | 953   | 0.99 |          |      | 1.7        | 15173 | 845   | 1.12 |          |      | 1.9        | 13719 | 764   | 1.23 |          |      | 2.1        | 12211 | 680   | 1.39 |          |      | 2.5        | 10343 | 576   | 1.64 |          |      | 3.2        | 8009  | 446   | 2.1  |          |      | 4.7        | 5405  | 301   | 3.1  |          |      | 5.2        | 4884  | 272   | 3.5  |          |      | 6.1        | 4148  | 231   | 4.1  |          |      | 7.2        | 3520  | 196   | 4.8  |          |      |            |       |       |      |          |      |            |       |       |      |          |      |            |       |            |      |          |      |            |       |            |      |          |      |            |       |       |       |          |      |            |       |       |       |          |      |            |       |       |      |          |       |            |       |       |       |          |      |            |       |       |      |          |       |            |       |       |      |            |       |            |       |       |       |            |      |            |       |       |      |          |       |            |       |          |       |          |       |            |       |      |       |            |      |            |       |            |      |            |       |      |       |            |       |          |       |            |       |            |       |            |       |          |      |            |       |            |       |          |       |            |       |            |       |          |       |          |       |            |       |      |       |          |       |          |       |      |       |          |       |          |       |      |       |      |       |     |       |     |       |     |       |     |       |     |       |     |       |     |       |     |       |     |       |     |      |     |      |
| 15            | 1361       | 97.89    | 2.1                    |             |         | 16            | 1224       | 88.01      | 2.3                    |             |         | 19       | 1062 | 76.39      | 2.7   |          |       | 21      | 951   | 68.40      | 3.0   |       |       | 25       | 789  | 56.75      | 3.6   |        |       | 28       | 699  | 50.29      | 4.0   |        |       | 31       | 629  | 45.22      | 4.2   |         |       | 12       | 1592 | 114.45     | 0.89  |         |       | F 77     | 4    | 13         | 1508  |        |       |          |      | 108.46     | 0.93  | 15     | 1320 |          |      | 94.93      | 1.07  | 17     | 1189 |          |      | 85.52      | 1.19  | 19     | 1043 |            |      | 75.02      | 1.35  | 21         | 922  |            |      | 66.28  | 1.53  | 24         | 809  |          |       | 58.16  | 1.74  | 32         | 624   |        |       | 44.84    | 0.90 | F 57       | 4     |        |       | 37       | 533  |            |       |       |       | 38.30    | 1.06 |            |       | 40     | 499   | 35.87    | 1.13 |            |       | 47     | 420   | 30.22    | 1.32 |            |       | 57         | 347   | 24.96    | 1.56 |        |       | 67         | 294  | 21.17    | 1.92 |        |       | 74         | 266   | 19.11  | 2.1   |          |      | 84         | 234   | 16.81  | 2.4   |          |      | 89         | 221   | 15.88  | 2.6   |          |      | 56         | 355   | 25.54  | 1.06  | F 47     | 4    | 66         | 301   | 21.66  | 1.25  |          |      | 73         | 272   | 19.56      | 1.38 |          |      | 83     | 239   | 17.21      | 1.57 |            |      | 87     | 226   | 16.25  | 1.66  |            |       | 103        | 192  | 13.83  | 1.95  |        |       | 113        | 175   | 12.57    | 2.2  |        |       | 130        | 151   | 10.89  | 2.5   | 156      | 126  | 9.08       | 2.5   | 99     | 199   | 14.33    | 0.94 | F 37       | 4     | 110    | 179   | 12.87    | 1.05 |            |       | 128    | 154   | 11.08    | 1.16 |            |       | 136        | 145   | 10.42    | 1.20 |        |       | 158        | 125  | 8.97       | 1.32 |        |       | 177   | 111   | 8.01       | 1.43  |          |      | 209   | 95    | 6.81       | 1.39  |        |       | 232      | 85   | 6.11       | 1.49  |        |       | 269      | 73   | 5.27       | 1.60  |       |       | 287      | 69   | 4.95       | 1.64  |        |       | 333      | 59   | 4.26       | 1.75  | 373   | 53    | 3.81     | 1.86 | <b>3kW</b> |       |        |      |          |      | <b>3kW</b> |       |       |      |          |      | 1.2        | 20991 | 1169  | 0.81 | F 157R97 | 4    | 1.2        | 20991 | 1169  | 0.81 |          |      | 1.5        | 17113 | 953   | 0.99 |          |      | 1.7        | 15173 | 845   | 1.12 |          |      | 1.9        | 13719 | 764   | 1.23 |          |      | 2.1        | 12211 | 680   | 1.39 |          |      | 2.5        | 10343 | 576   | 1.64 |          |      | 3.2        | 8009  | 446   | 2.1  |          |      | 4.7        | 5405  | 301   | 3.1  |          |      | 5.2        | 4884  | 272   | 3.5  |          |      | 6.1        | 4148  | 231   | 4.1  |          |      | 7.2        | 3520  | 196   | 4.8  |          |      |            |       |       |      |          |      |            |       |       |      |          |      |            |       |       |      |          |      |            |       |            |      |          |      |            |       |            |      |          |      |            |       |       |       |          |      |            |       |       |       |          |      |            |       |       |      |          |       |            |       |       |       |          |      |            |       |       |      |          |       |            |       |       |      |            |       |            |       |       |       |            |      |            |       |       |      |          |       |            |       |          |       |          |       |            |       |      |       |            |      |            |       |            |      |            |       |      |       |            |       |          |       |            |       |            |       |            |       |          |      |            |       |            |       |          |       |            |       |            |       |          |       |          |       |            |       |      |       |          |       |          |       |      |       |          |       |          |       |      |       |      |       |     |       |     |       |     |       |     |       |     |       |     |       |     |       |     |       |     |       |     |      |     |      |
| 16            | 1224       | 88.01    | 2.3                    |             |         | 19            | 1062       | 76.39      | 2.7                    |             |         | 21       | 951  | 68.40      | 3.0   |          |       | 25      | 789   | 56.75      | 3.6   |       |       | 28       | 699  | 50.29      | 4.0   |        |       | 31       | 629  | 45.22      | 4.2   |        |       | 12       | 1592 | 114.45     | 0.89  |         |       | F 77     | 4    | 13         | 1508  |         |       |          |      | 108.46     | 0.93  | 15     | 1320  |          |      | 94.93      | 1.07  | 17     | 1189 |          |      | 85.52      | 1.19  | 19     | 1043 |          |      | 75.02      | 1.35  | 21     | 922  |            |      | 66.28      | 1.53  | 24         | 809  |            |      | 58.16  | 1.74  | 32         | 624  |          |       | 44.84  | 0.90  | F 57       | 4     |        |       | 37       | 533  |            |       |        |       | 38.30    | 1.06 |            |       | 40    | 499   | 35.87    | 1.13 |            |       | 47     | 420   | 30.22    | 1.32 |            |       | 57     | 347   | 24.96    | 1.56 |            |       | 67         | 294   | 21.17    | 1.92 |        |       | 74         | 266  | 19.11    | 2.1  |        |       | 84         | 234   | 16.81  | 2.4   |          |      | 89         | 221   | 15.88  | 2.6   |          |      | 56         | 355   | 25.54  | 1.06  | F 47     | 4    | 66         | 301   | 21.66  | 1.25  |          |      | 73         | 272   | 19.56  | 1.38  |          |      | 83         | 239   | 17.21      | 1.57 |          |      | 87     | 226   | 16.25      | 1.66 |            |      | 103    | 192   | 13.83  | 1.95  |            |       | 113        | 175  | 12.57  | 2.2   |        |       | 130        | 151   | 10.89    | 2.5  | 156    | 126   | 9.08       | 2.5   | 99     | 199   | 14.33    | 0.94 | F 37       | 4     | 110    | 179   | 12.87    | 1.05 |            |       | 128    | 154   | 11.08    | 1.16 |            |       | 136    | 145   | 10.42    | 1.20 |            |       | 158        | 125   | 8.97     | 1.32 |        |       | 177        | 111  | 8.01       | 1.43 |        |       | 209   | 95    | 6.81       | 1.39  |          |      | 232   | 85    | 6.11       | 1.49  |        |       | 269      | 73   | 5.27       | 1.60  |        |       | 287      | 69   | 4.95       | 1.64  |       |       | 333      | 59   | 4.26       | 1.75  | 373    | 53    | 3.81     | 1.86 | <b>3kW</b> |       |       |       |          |      | <b>3kW</b> |       |        |      |          |      | 1.2        | 20991 | 1169  | 0.81 | F 157R97 | 4    | 1.2        | 20991 | 1169  | 0.81 |          |      | 1.5        | 17113 | 953   | 0.99 |          |      | 1.7        | 15173 | 845   | 1.12 |          |      | 1.9        | 13719 | 764   | 1.23 |          |      | 2.1        | 12211 | 680   | 1.39 |          |      | 2.5        | 10343 | 576   | 1.64 |          |      | 3.2        | 8009  | 446   | 2.1  |          |      | 4.7        | 5405  | 301   | 3.1  |          |      | 5.2        | 4884  | 272   | 3.5  |          |      | 6.1        | 4148  | 231   | 4.1  |          |      | 7.2        | 3520  | 196   | 4.8  |          |      |            |       |       |      |          |      |            |       |       |      |          |      |            |       |       |      |          |      |            |       |       |      |          |      |            |       |            |      |          |      |            |       |            |      |          |      |            |       |       |       |          |      |            |       |       |       |          |      |            |       |       |      |          |       |            |       |       |       |          |      |            |       |       |      |          |       |            |       |       |      |            |       |            |       |       |       |            |      |            |       |       |      |          |       |            |       |          |       |          |       |            |       |      |       |            |      |            |       |            |      |            |       |      |       |            |       |          |       |            |       |            |       |            |       |          |      |            |       |            |       |          |       |            |       |            |       |          |       |          |       |            |       |      |       |          |       |          |       |      |       |          |       |          |       |      |       |      |       |     |       |     |       |     |       |     |       |     |       |     |       |     |       |     |       |     |       |     |      |     |      |
| 19            | 1062       | 76.39    | 2.7                    |             |         | 21            | 951        | 68.40      | 3.0                    |             |         | 25       | 789  | 56.75      | 3.6   |          |       | 28      | 699   | 50.29      | 4.0   |       |       | 31       | 629  | 45.22      | 4.2   |        |       | 12       | 1592 | 114.45     | 0.89  |        |       | F 77     | 4    | 13         | 1508  |         |       |          |      | 108.46     | 0.93  | 15      | 1320  |          |      | 94.93      | 1.07  | 17     | 1189  |          |      | 85.52      | 1.19  | 19     | 1043 |          |      | 75.02      | 1.35  | 21     | 922  |          |      | 66.28      | 1.53  | 24     | 809  |            |      | 58.16      | 1.74  | 32         | 624  |            |      | 44.84  | 0.90  | F 57       | 4    |          |       | 37     | 533   |            |       |        |       | 38.30    | 1.06 |            |       | 40     | 499   | 35.87    | 1.13 |            |       | 47    | 420   | 30.22    | 1.32 |            |       | 57     | 347   | 24.96    | 1.56 |            |       | 67     | 294   | 21.17    | 1.92 |            |       | 74         | 266   | 19.11    | 2.1  |        |       | 84         | 234  | 16.81    | 2.4  |        |       | 89         | 221   | 15.88  | 2.6   |          |      | 56         | 355   | 25.54  | 1.06  | F 47     | 4    | 66         | 301   | 21.66  | 1.25  |          |      | 73         | 272   | 19.56  | 1.38  |          |      | 83         | 239   | 17.21  | 1.57  |          |      | 87         | 226   | 16.25      | 1.66 |          |      | 103    | 192   | 13.83      | 1.95 |            |      | 113    | 175   | 12.57  | 2.2   |            |       | 130        | 151  | 10.89  | 2.5   | 156    | 126   | 9.08       | 2.5   | 99       | 199  | 14.33  | 0.94  | F 37       | 4     | 110    | 179   | 12.87    | 1.05 |            |       | 128    | 154   | 11.08    | 1.16 |            |       | 136    | 145   | 10.42    | 1.20 |            |       | 158    | 125   | 8.97     | 1.32 |            |       | 177        | 111   | 8.01     | 1.43 |        |       | 209        | 95   | 6.81       | 1.39 |        |       | 232   | 85    | 6.11       | 1.49  |          |      | 269   | 73    | 5.27       | 1.60  |        |       | 287      | 69   | 4.95       | 1.64  |        |       | 333      | 59   | 4.26       | 1.75  | 373   | 53    | 3.81     | 1.86 | <b>3kW</b> |       |        |       |          |      | <b>3kW</b> |       |       |       |          |      | 1.2        | 20991 | 1169   | 0.81 | F 157R97 | 4    | 1.2        | 20991 | 1169  | 0.81 |          |      | 1.5        | 17113 | 953   | 0.99 |          |      | 1.7        | 15173 | 845   | 1.12 |          |      | 1.9        | 13719 | 764   | 1.23 |          |      | 2.1        | 12211 | 680   | 1.39 |          |      | 2.5        | 10343 | 576   | 1.64 |          |      | 3.2        | 8009  | 446   | 2.1  |          |      | 4.7        | 5405  | 301   | 3.1  |          |      | 5.2        | 4884  | 272   | 3.5  |          |      | 6.1        | 4148  | 231   | 4.1  |          |      | 7.2        | 3520  | 196   | 4.8  |          |      |            |       |       |      |          |      |            |       |       |      |          |      |            |       |       |      |          |      |            |       |       |      |          |      |            |       |       |      |          |      |            |       |            |      |          |      |            |       |            |      |          |      |            |       |       |       |          |      |            |       |       |       |          |      |            |       |       |      |          |       |            |       |       |       |          |      |            |       |       |      |          |       |            |       |       |      |            |       |            |       |       |       |            |      |            |       |       |      |          |       |            |       |          |       |          |       |            |       |      |       |            |      |            |       |            |      |            |       |      |       |            |       |          |       |            |       |            |       |            |       |          |      |            |       |            |       |          |       |            |       |            |       |          |       |          |       |            |       |      |       |          |       |          |       |      |       |          |       |          |       |      |       |      |       |     |       |     |       |     |       |     |       |     |       |     |       |     |       |     |       |     |       |     |      |     |      |
| 21            | 951        | 68.40    | 3.0                    |             |         | 25            | 789        | 56.75      | 3.6                    |             |         | 28       | 699  | 50.29      | 4.0   |          |       | 31      | 629   | 45.22      | 4.2   |       |       | 12       | 1592 | 114.45     | 0.89  |        |       | F 77     | 4    | 13         | 1508  |        |       |          |      | 108.46     | 0.93  | 15      | 1320  |          |      | 94.93      | 1.07  | 17      | 1189  |          |      | 85.52      | 1.19  | 19     | 1043  |          |      | 75.02      | 1.35  | 21     | 922  |          |      | 66.28      | 1.53  | 24     | 809  |          |      | 58.16      | 1.74  | 32     | 624  |            |      | 44.84      | 0.90  | F 57       | 4    |            |      | 37     | 533   |            |      |          |       | 38.30  | 1.06  |            |       | 40     | 499   | 35.87    | 1.13 |            |       | 47     | 420   | 30.22    | 1.32 |            |       | 57    | 347   | 24.96    | 1.56 |            |       | 67     | 294   | 21.17    | 1.92 |            |       | 74     | 266   | 19.11    | 2.1  |            |       | 84         | 234   | 16.81    | 2.4  |        |       | 89         | 221  | 15.88    | 2.6  |        |       | 56         | 355   | 25.54  | 1.06  | F 47     | 4    | 66         | 301   | 21.66  | 1.25  |          |      | 73         | 272   | 19.56  | 1.38  |          |      | 83         | 239   | 17.21  | 1.57  |          |      | 87         | 226   | 16.25  | 1.66  |          |      | 103        | 192   | 13.83      | 1.95 |          |      | 113    | 175   | 12.57      | 2.2  |            |      | 130    | 151   | 10.89  | 2.5   | 156        | 126   | 9.08       | 2.5  | 99     | 199   | 14.33  | 0.94  | F 37       | 4     | 110      | 179  | 12.87  | 1.05  |            |       | 128    | 154   | 11.08    | 1.16 |            |       | 136    | 145   | 10.42    | 1.20 |            |       | 158    | 125   | 8.97     | 1.32 |            |       | 177    | 111   | 8.01     | 1.43 |            |       | 209        | 95    | 6.81     | 1.39 |        |       | 232        | 85   | 6.11       | 1.49 |        |       | 269   | 73    | 5.27       | 1.60  |          |      | 287   | 69    | 4.95       | 1.64  |        |       | 333      | 59   | 4.26       | 1.75  | 373    | 53    | 3.81     | 1.86 | <b>3kW</b> |       |       |       |          |      | <b>3kW</b> |       |        |       |          |      | 1.2        | 20991 | 1169  | 0.81  | F 157R97 | 4    | 1.2        | 20991 | 1169   | 0.81 |          |      | 1.5        | 17113 | 953   | 0.99 |          |      | 1.7        | 15173 | 845   | 1.12 |          |      | 1.9        | 13719 | 764   | 1.23 |          |      | 2.1        | 12211 | 680   | 1.39 |          |      | 2.5        | 10343 | 576   | 1.64 |          |      | 3.2        | 8009  | 446   | 2.1  |          |      | 4.7        | 5405  | 301   | 3.1  |          |      | 5.2        | 4884  | 272   | 3.5  |          |      | 6.1        | 4148  | 231   | 4.1  |          |      | 7.2        | 3520  | 196   | 4.8  |          |      |            |       |       |      |          |      |            |       |       |      |          |      |            |       |       |      |          |      |            |       |       |      |          |      |            |       |       |      |          |      |            |       |       |      |          |      |            |       |            |      |          |      |            |       |            |      |          |      |            |       |       |       |          |      |            |       |       |       |          |      |            |       |       |      |          |       |            |       |       |       |          |      |            |       |       |      |          |       |            |       |       |      |            |       |            |       |       |       |            |      |            |       |       |      |          |       |            |       |          |       |          |       |            |       |      |       |            |      |            |       |            |      |            |       |      |       |            |       |          |       |            |       |            |       |            |       |          |      |            |       |            |       |          |       |            |       |            |       |          |       |          |       |            |       |      |       |          |       |          |       |      |       |          |       |          |       |      |       |      |       |     |       |     |       |     |       |     |       |     |       |     |       |     |       |     |       |     |       |     |      |     |      |
| 25            | 789        | 56.75    | 3.6                    |             |         | 28            | 699        | 50.29      | 4.0                    |             |         | 31       | 629  | 45.22      | 4.2   |          |       | 12      | 1592  | 114.45     | 0.89  |       |       | F 77     | 4    | 13         | 1508  |        |       |          |      | 108.46     | 0.93  | 15     | 1320  |          |      | 94.93      | 1.07  | 17      | 1189  |          |      | 85.52      | 1.19  | 19      | 1043  |          |      | 75.02      | 1.35  | 21     | 922   |          |      | 66.28      | 1.53  | 24     | 809  |          |      | 58.16      | 1.74  | 32     | 624  |          |      | 44.84      | 0.90  | F 57   | 4    |            |      | 37         | 533   |            |      |            |      | 38.30  | 1.06  |            |      | 40       | 499   | 35.87  | 1.13  |            |       | 47     | 420   | 30.22    | 1.32 |            |       | 57     | 347   | 24.96    | 1.56 |            |       | 67    | 294   | 21.17    | 1.92 |            |       | 74     | 266   | 19.11    | 2.1  |            |       | 84     | 234   | 16.81    | 2.4  |            |       | 89         | 221   | 15.88    | 2.6  |        |       | 56         | 355  | 25.54    | 1.06 | F 47   | 4     | 66         | 301   | 21.66  | 1.25  |          |      | 73         | 272   | 19.56  | 1.38  |          |      | 83         | 239   | 17.21  | 1.57  |          |      | 87         | 226   | 16.25  | 1.66  |          |      | 103        | 192   | 13.83  | 1.95  |          |      | 113        | 175   | 12.57      | 2.2  |          |      | 130    | 151   | 10.89      | 2.5  | 156        | 126  | 9.08   | 2.5   | 99     | 199   | 14.33      | 0.94  | F 37       | 4    | 110    | 179   | 12.87  | 1.05  |            |       | 128      | 154  | 11.08  | 1.16  |            |       | 136    | 145   | 10.42    | 1.20 |            |       | 158    | 125   | 8.97     | 1.32 |            |       | 177    | 111   | 8.01     | 1.43 |            |       | 209    | 95    | 6.81     | 1.39 |            |       | 232        | 85    | 6.11     | 1.49 |        |       | 269        | 73   | 5.27       | 1.60 |        |       | 287   | 69    | 4.95       | 1.64  |          |      | 333   | 59    | 4.26       | 1.75  | 373    | 53    | 3.81     | 1.86 | <b>3kW</b> |       |        |       |          |      | <b>3kW</b> |       |       |       |          |      | 1.2        | 20991 | 1169   | 0.81  | F 157R97 | 4    | 1.2        | 20991 | 1169  | 0.81  |          |      | 1.5        | 17113 | 953    | 0.99 |          |      | 1.7        | 15173 | 845   | 1.12 |          |      | 1.9        | 13719 | 764   | 1.23 |          |      | 2.1        | 12211 | 680   | 1.39 |          |      | 2.5        | 10343 | 576   | 1.64 |          |      | 3.2        | 8009  | 446   | 2.1  |          |      | 4.7        | 5405  | 301   | 3.1  |          |      | 5.2        | 4884  | 272   | 3.5  |          |      | 6.1        | 4148  | 231   | 4.1  |          |      | 7.2        | 3520  | 196   | 4.8  |          |      |            |       |       |      |          |      |            |       |       |      |          |      |            |       |       |      |          |      |            |       |       |      |          |      |            |       |       |      |          |      |            |       |       |      |          |      |            |       |       |      |          |      |            |       |            |      |          |      |            |       |            |      |          |      |            |       |       |       |          |      |            |       |       |       |          |      |            |       |       |      |          |       |            |       |       |       |          |      |            |       |       |      |          |       |            |       |       |      |            |       |            |       |       |       |            |      |            |       |       |      |          |       |            |       |          |       |          |       |            |       |      |       |            |      |            |       |            |      |            |       |      |       |            |       |          |       |            |       |            |       |            |       |          |      |            |       |            |       |          |       |            |       |            |       |          |       |          |       |            |       |      |       |          |       |          |       |      |       |          |       |          |       |      |       |      |       |     |       |     |       |     |       |     |       |     |       |     |       |     |       |     |       |     |       |     |      |     |      |
| 28            | 699        | 50.29    | 4.0                    |             |         | 31            | 629        | 45.22      | 4.2                    |             |         | 12       | 1592 | 114.45     | 0.89  |          |       | F 77    | 4     | 13         | 1508  |       |       |          |      | 108.46     | 0.93  | 15     | 1320  |          |      | 94.93      | 1.07  | 17     | 1189  |          |      | 85.52      | 1.19  | 19      | 1043  |          |      | 75.02      | 1.35  | 21      | 922   |          |      | 66.28      | 1.53  | 24     | 809   |          |      | 58.16      | 1.74  | 32     | 624  |          |      | 44.84      | 0.90  | F 57   | 4    |          |      | 37         | 533   |        |      |            |      | 38.30      | 1.06  |            |      | 40         | 499  | 35.87  | 1.13  |            |      | 47       | 420   | 30.22  | 1.32  |            |       | 57     | 347   | 24.96    | 1.56 |            |       | 67     | 294   | 21.17    | 1.92 |            |       | 74    | 266   | 19.11    | 2.1  |            |       | 84     | 234   | 16.81    | 2.4  |            |       | 89     | 221   | 15.88    | 2.6  |            |       | 56         | 355   | 25.54    | 1.06 | F 47   | 4     | 66         | 301  | 21.66    | 1.25 |        |       | 73         | 272   | 19.56  | 1.38  |          |      | 83         | 239   | 17.21  | 1.57  |          |      | 87         | 226   | 16.25  | 1.66  |          |      | 103        | 192   | 13.83  | 1.95  |          |      | 113        | 175   | 12.57  | 2.2   |          |      | 130        | 151   | 10.89      | 2.5  | 156      | 126  | 9.08   | 2.5   | 99         | 199  | 14.33      | 0.94 | F 37   | 4     | 110    | 179   | 12.87      | 1.05  |            |      | 128    | 154   | 11.08  | 1.16  |            |       | 136      | 145  | 10.42  | 1.20  |            |       | 158    | 125   | 8.97     | 1.32 |            |       | 177    | 111   | 8.01     | 1.43 |            |       | 209    | 95    | 6.81     | 1.39 |            |       | 232    | 85    | 6.11     | 1.49 |            |       | 269        | 73    | 5.27     | 1.60 |        |       | 287        | 69   | 4.95       | 1.64 |        |       | 333   | 59    | 4.26       | 1.75  | 373      | 53   | 3.81  | 1.86  | <b>3kW</b> |       |        |       |          |      | <b>3kW</b> |       |        |       |          |      | 1.2        | 20991 | 1169  | 0.81  | F 157R97 | 4    | 1.2        | 20991 | 1169   | 0.81  |          |      | 1.5        | 17113 | 953   | 0.99  |          |      | 1.7        | 15173 | 845    | 1.12 |          |      | 1.9        | 13719 | 764   | 1.23 |          |      | 2.1        | 12211 | 680   | 1.39 |          |      | 2.5        | 10343 | 576   | 1.64 |          |      | 3.2        | 8009  | 446   | 2.1  |          |      | 4.7        | 5405  | 301   | 3.1  |          |      | 5.2        | 4884  | 272   | 3.5  |          |      | 6.1        | 4148  | 231   | 4.1  |          |      | 7.2        | 3520  | 196   | 4.8  |          |      |            |       |       |      |          |      |            |       |       |      |          |      |            |       |       |      |          |      |            |       |       |      |          |      |            |       |       |      |          |      |            |       |       |      |          |      |            |       |       |      |          |      |            |       |       |      |          |      |            |       |            |      |          |      |            |       |            |      |          |      |            |       |       |       |          |      |            |       |       |       |          |      |            |       |       |      |          |       |            |       |       |       |          |      |            |       |       |      |          |       |            |       |       |      |            |       |            |       |       |       |            |      |            |       |       |      |          |       |            |       |          |       |          |       |            |       |      |       |            |      |            |       |            |      |            |       |      |       |            |       |          |       |            |       |            |       |            |       |          |      |            |       |            |       |          |       |            |       |            |       |          |       |          |       |            |       |      |       |          |       |          |       |      |       |          |       |          |       |      |       |      |       |     |       |     |       |     |       |     |       |     |       |     |       |     |       |     |       |     |       |     |      |     |      |
| 31            | 629        | 45.22    | 4.2                    |             |         | 12            | 1592       | 114.45     | 0.89                   |             |         | F 77     | 4    | 13         | 1508  |          |       |         |       | 108.46     | 0.93  | 15    | 1320  |          |      | 94.93      | 1.07  | 17     | 1189  |          |      | 85.52      | 1.19  | 19     | 1043  |          |      | 75.02      | 1.35  | 21      | 922   |          |      | 66.28      | 1.53  | 24      | 809   |          |      | 58.16      | 1.74  | 32     | 624   |          |      | 44.84      | 0.90  | F 57   | 4    |          |      | 37         | 533   |        |      |          |      | 38.30      | 1.06  |        |      | 40         | 499  | 35.87      | 1.13  |            |      | 47         | 420  | 30.22  | 1.32  |            |      | 57       | 347   | 24.96  | 1.56  |            |       | 67     | 294   | 21.17    | 1.92 |            |       | 74     | 266   | 19.11    | 2.1  |            |       | 84    | 234   | 16.81    | 2.4  |            |       | 89     | 221   | 15.88    | 2.6  |            |       | 56     | 355   | 25.54    | 1.06 | F 47       | 4     | 66         | 301   | 21.66    | 1.25 |        |       | 73         | 272  | 19.56    | 1.38 |        |       | 83         | 239   | 17.21  | 1.57  |          |      | 87         | 226   | 16.25  | 1.66  |          |      | 103        | 192   | 13.83  | 1.95  |          |      | 113        | 175   | 12.57  | 2.2   |          |      | 130        | 151   | 10.89  | 2.5   | 156      | 126  | 9.08       | 2.5   | 99         | 199  | 14.33    | 0.94 | F 37   | 4     | 110        | 179  | 12.87      | 1.05 |        |       | 128    | 154   | 11.08      | 1.16  |            |      | 136    | 145   | 10.42  | 1.20  |            |       | 158      | 125  | 8.97   | 1.32  |            |       | 177    | 111   | 8.01     | 1.43 |            |       | 209    | 95    | 6.81     | 1.39 |            |       | 232    | 85    | 6.11     | 1.49 |            |       | 269    | 73    | 5.27     | 1.60 |            |       | 287        | 69    | 4.95     | 1.64 |        |       | 333        | 59   | 4.26       | 1.75 | 373    | 53    | 3.81  | 1.86  | <b>3kW</b> |       |          |      |       |       | <b>3kW</b> |       |        |       |          |      | 1.2        | 20991 | 1169   | 0.81  | F 157R97 | 4    | 1.2        | 20991 | 1169  | 0.81  |          |      | 1.5        | 17113 | 953    | 0.99  |          |      | 1.7        | 15173 | 845   | 1.12  |          |      | 1.9        | 13719 | 764    | 1.23 |          |      | 2.1        | 12211 | 680   | 1.39 |          |      | 2.5        | 10343 | 576   | 1.64 |          |      | 3.2        | 8009  | 446   | 2.1  |          |      | 4.7        | 5405  | 301   | 3.1  |          |      | 5.2        | 4884  | 272   | 3.5  |          |      | 6.1        | 4148  | 231   | 4.1  |          |      | 7.2        | 3520  | 196   | 4.8  |          |      |            |       |       |      |          |      |            |       |       |      |          |      |            |       |       |      |          |      |            |       |       |      |          |      |            |       |       |      |          |      |            |       |       |      |          |      |            |       |       |      |          |      |            |       |       |      |          |      |            |       |       |      |          |      |            |       |            |      |          |      |            |       |            |      |          |      |            |       |       |       |          |      |            |       |       |       |          |      |            |       |       |      |          |       |            |       |       |       |          |      |            |       |       |      |          |       |            |       |       |      |            |       |            |       |       |       |            |      |            |       |       |      |          |       |            |       |          |       |          |       |            |       |      |       |            |      |            |       |            |      |            |       |      |       |            |       |          |       |            |       |            |       |            |       |          |      |            |       |            |       |          |       |            |       |            |       |          |       |          |       |            |       |      |       |          |       |          |       |      |       |          |       |          |       |      |       |      |       |     |       |     |       |     |       |     |       |     |       |     |       |     |       |     |       |     |       |     |      |     |      |
| 12            | 1592       | 114.45   | 0.89                   |             |         | F 77          | 4          | 13         | 1508                   |             |         |          |      | 108.46     | 0.93  | 15       | 1320  |         |       | 94.93      | 1.07  | 17    | 1189  |          |      | 85.52      | 1.19  | 19     | 1043  |          |      | 75.02      | 1.35  | 21     | 922   |          |      | 66.28      | 1.53  | 24      | 809   |          |      | 58.16      | 1.74  | 32      | 624   |          |      | 44.84      | 0.90  | F 57   | 4     |          |      | 37         | 533   |        |      |          |      | 38.30      | 1.06  |        |      | 40       | 499  | 35.87      | 1.13  |        |      | 47         | 420  | 30.22      | 1.32  |            |      | 57         | 347  | 24.96  | 1.56  |            |      | 67       | 294   | 21.17  | 1.92  |            |       | 74     | 266   | 19.11    | 2.1  |            |       | 84     | 234   | 16.81    | 2.4  |            |       | 89    | 221   | 15.88    | 2.6  |            |       | 56     | 355   | 25.54    | 1.06 | F 47       | 4     | 66     | 301   | 21.66    | 1.25 |            |       | 73         | 272   | 19.56    | 1.38 |        |       | 83         | 239  | 17.21    | 1.57 |        |       | 87         | 226   | 16.25  | 1.66  |          |      | 103        | 192   | 13.83  | 1.95  |          |      | 113        | 175   | 12.57  | 2.2   |          |      | 130        | 151   | 10.89  | 2.5   | 156      | 126  | 9.08       | 2.5   | 99     | 199   | 14.33    | 0.94 | F 37       | 4     | 110        | 179  | 12.87    | 1.05 |        |       | 128        | 154  | 11.08      | 1.16 |        |       | 136    | 145   | 10.42      | 1.20  |            |      | 158    | 125   | 8.97   | 1.32  |            |       | 177      | 111  | 8.01   | 1.43  |            |       | 209    | 95    | 6.81     | 1.39 |            |       | 232    | 85    | 6.11     | 1.49 |            |       | 269    | 73    | 5.27     | 1.60 |            |       | 287    | 69    | 4.95     | 1.64 |            |       | 333        | 59    | 4.26     | 1.75 | 373    | 53    | 3.81       | 1.86 | <b>3kW</b> |      |        |       |       |       | <b>3kW</b> |       |          |      |       |       | 1.2        | 20991 | 1169   | 0.81  | F 157R97 | 4    | 1.2        | 20991 | 1169   | 0.81  |          |      | 1.5        | 17113 | 953   | 0.99  |          |      | 1.7        | 15173 | 845    | 1.12  |          |      | 1.9        | 13719 | 764   | 1.23  |          |      | 2.1        | 12211 | 680    | 1.39 |          |      | 2.5        | 10343 | 576   | 1.64 |          |      | 3.2        | 8009  | 446   | 2.1  |          |      | 4.7        | 5405  | 301   | 3.1  |          |      | 5.2        | 4884  | 272   | 3.5  |          |      | 6.1        | 4148  | 231   | 4.1  |          |      | 7.2        | 3520  | 196   | 4.8  |          |      |            |       |       |      |          |      |            |       |       |      |          |      |            |       |       |      |          |      |            |       |       |      |          |      |            |       |       |      |          |      |            |       |       |      |          |      |            |       |       |      |          |      |            |       |       |      |          |      |            |       |       |      |          |      |            |       |       |      |          |      |            |       |            |      |          |      |            |       |            |      |          |      |            |       |       |       |          |      |            |       |       |       |          |      |            |       |       |      |          |       |            |       |       |       |          |      |            |       |       |      |          |       |            |       |       |      |            |       |            |       |       |       |            |      |            |       |       |      |          |       |            |       |          |       |          |       |            |       |      |       |            |      |            |       |            |      |            |       |      |       |            |       |          |       |            |       |            |       |            |       |          |      |            |       |            |       |          |       |            |       |            |       |          |       |          |       |            |       |      |       |          |       |          |       |      |       |          |       |          |       |      |       |      |       |     |       |     |       |     |       |     |       |     |       |     |       |     |       |     |       |     |       |     |      |     |      |
| 13            | 1508       | 108.46   | 0.93                   |             |         |               |            | 15         | 1320                   | 94.93       | 1.07    |          |      | 17         | 1189  | 85.52    | 1.19  |         |       | 19         | 1043  | 75.02 | 1.35  |          |      | 21         | 922   | 66.28  | 1.53  |          |      | 24         | 809   | 58.16  | 1.74  |          |      | 32         | 624   | 44.84   | 0.90  |          |      | F 57       | 4     | 37      | 533   |          |      | 38.30      | 1.06  |        |       |          |      | 40         | 499   |        |      | 35.87    | 1.13 | 47         | 420   |        |      | 30.22    | 1.32 | 57         | 347   |        |      | 24.96      | 1.56 | 67         | 294   |            |      | 21.17      | 1.92 | 74     | 266   |            |      | 19.11    | 2.1   | 84     | 234   |            |       | 16.81  | 2.4   | 89       | 221  |            |       | 15.88  | 2.6   | 56       | 355  |            |       | 25.54 | 1.06  | F 47     | 4    | 66         | 301   | 21.66  | 1.25  | 73       | 272  |            |       | 19.56  | 1.38  | 83       | 239  |            |       | 17.21      | 1.57  | 87       | 226  |        |       | 16.25      | 1.66 | 103      | 192  |        |       | 13.83      | 1.95  | 113    | 175   |          |      | 12.57      | 2.2   | 130    | 151   |          |      | 10.89      | 2.5   | 156    | 126   | 9.08     | 2.5  | 99         | 199   | 14.33  | 0.94  | F 37     | 4    | 110        | 179   | 12.87  | 1.05  | 128      | 154  |            |       | 11.08      | 1.16 | 136      | 145  |        |       | 10.42      | 1.20 | 158        | 125  |        |       | 8.97   | 1.32  | 177        | 111   |            |      | 8.01   | 1.43  | 209    | 95    |            |       | 6.81     | 1.39 | 232    | 85    |            |       | 6.11   | 1.49  | 269      | 73   |            |       | 5.27   | 1.60  | 287      | 69   |            |       | 4.95   | 1.64  | 333      | 59   |            |       | 4.26   | 1.75  | 373      | 53   | 3.81       | 1.86  | <b>3kW</b> |       |          |      |        |       | <b>3kW</b> |      |            |      |        |       | 1.2   | 20991 | 1169       | 0.81  | F 157R97 | 4    | 1.2   | 20991 | 1169       | 0.81  | 1.5    | 17113 |          |      | 953        | 0.99  | 1.7    | 15173 |          |      | 845        | 1.12  | 1.9   | 13719 |          |      | 764        | 1.23  | 2.1    | 12211 |          |      | 680        | 1.39  | 2.5   | 10343 |          |      | 576        | 1.64  | 3.2    | 8009 |          |      | 446        | 2.1   | 4.7   | 5405 |          |      | 301        | 3.1   | 5.2   | 4884 |          |      | 272        | 3.5   | 6.1   | 4148 |          |      | 231        | 4.1   | 7.2   | 3520 |          |      | 196        | 4.8   |       |      |          |      |            |       |       |      |          |      |            |       |       |      |          |      |            |       |       |      |          |      |            |       |       |      |          |      |            |       |       |      |          |      |            |       |       |      |          |      |            |       |       |      |          |      |            |       |       |      |          |      |            |       |       |      |          |      |            |       |       |      |          |      |            |       |       |      |          |      |            |       |            |      |          |      |            |       |            |      |          |      |            |       |       |       |          |      |            |       |       |       |          |      |            |       |       |      |          |       |            |       |       |       |          |      |            |       |       |      |          |       |            |       |       |      |            |       |            |       |       |       |            |      |            |       |       |      |          |       |            |       |          |       |          |       |            |       |      |       |            |      |            |       |            |      |            |       |      |       |            |       |          |       |            |       |            |       |            |       |          |      |            |       |            |       |          |       |            |       |            |       |          |       |          |       |            |       |      |       |          |       |          |       |      |       |          |       |          |       |      |       |      |       |     |       |     |       |     |       |     |       |     |       |     |       |     |       |     |       |     |       |     |      |     |      |
| 15            | 1320       | 94.93    | 1.07                   | 17          | 1189    |               |            | 85.52      | 1.19                   | 19          | 1043    |          |      | 75.02      | 1.35  | 21       | 922   |         |       | 66.28      | 1.53  | 24    | 809   |          |      | 58.16      | 1.74  | 32     | 624   |          |      | 44.84      | 0.90  | F 57   | 4     |          |      | 37         | 533   | 38.30   | 1.06  |          |      |            |       | 40      | 499   |          |      | 35.87      | 1.13  |        |       | 47       | 420  | 30.22      | 1.32  |        |      | 57       | 347  | 24.96      | 1.56  |        |      | 67       | 294  | 21.17      | 1.92  |        |      | 74         | 266  | 19.11      | 2.1   |            |      | 84         | 234  | 16.81  | 2.4   |            |      | 89       | 221   | 15.88  | 2.6   |            |       | 56     | 355   | 25.54    | 1.06 |            |       | F 47   | 4     | 66       | 301  | 21.66      | 1.25  | 73    | 272   |          |      | 19.56      | 1.38  | 83     | 239   | 17.21    | 1.57 |            |       | 87     | 226   | 16.25    | 1.66 |            |       | 103        | 192   | 13.83    | 1.95 |        |       | 113        | 175  | 12.57    | 2.2  |        |       | 130        | 151   | 10.89  | 2.5   |          |      | 156        | 126   | 9.08   | 2.5   | 99       | 199  | 14.33      | 0.94  | F 37   | 4     | 110      | 179  | 12.87      | 1.05  | 128    | 154   |          |      | 11.08      | 1.16  | 136    | 145   | 10.42    | 1.20 |            |       | 158        | 125  | 8.97     | 1.32 |        |       | 177        | 111  | 8.01       | 1.43 |        |       | 209    | 95    | 6.81       | 1.39  |            |      | 232    | 85    | 6.11   | 1.49  |            |       | 269      | 73   | 5.27   | 1.60  |            |       | 287    | 69    | 4.95     | 1.64 |            |       | 333    | 59    | 4.26     | 1.75 |            |       | 373    | 53    | 3.81     | 1.86 | <b>3kW</b> |       |        |       |          |      | <b>3kW</b> |       |            |       |          |      | 1.2    | 20991 | 1169       | 0.81 | F 157R97   | 4    | 1.2    | 20991 | 1169  | 0.81  | 1.5        | 17113 |          |      | 953   | 0.99  | 1.7        | 15173 | 845    | 1.12  |          |      | 1.9        | 13719 | 764    | 1.23  |          |      | 2.1        | 12211 | 680   | 1.39  |          |      | 2.5        | 10343 | 576    | 1.64  |          |      | 3.2        | 8009  | 446   | 2.1   |          |      | 4.7        | 5405  | 301    | 3.1  |          |      | 5.2        | 4884  | 272   | 3.5  |          |      | 6.1        | 4148  | 231   | 4.1  |          |      | 7.2        | 3520  | 196   | 4.8  |          |      |            |       |       |      |          |      |            |       |       |      |          |      |            |       |       |      |          |      |            |       |       |      |          |      |            |       |       |      |          |      |            |       |       |      |          |      |            |       |       |      |          |      |            |       |       |      |          |      |            |       |       |      |          |      |            |       |       |      |          |      |            |       |       |      |          |      |            |       |       |      |          |      |            |       |       |      |          |      |            |       |            |      |          |      |            |       |            |      |          |      |            |       |       |       |          |      |            |       |       |       |          |      |            |       |       |      |          |       |            |       |       |       |          |      |            |       |       |      |          |       |            |       |       |      |            |       |            |       |       |       |            |      |            |       |       |      |          |       |            |       |          |       |          |       |            |       |      |       |            |      |            |       |            |      |            |       |      |       |            |       |          |       |            |       |            |       |            |       |          |      |            |       |            |       |          |       |            |       |            |       |          |       |          |       |            |       |      |       |          |       |          |       |      |       |          |       |          |       |      |       |      |       |     |       |     |       |     |       |     |       |     |       |     |       |     |       |     |       |     |       |     |      |     |      |
| 17            | 1189       | 85.52    | 1.19                   | 19          | 1043    |               |            | 75.02      | 1.35                   | 21          | 922     |          |      | 66.28      | 1.53  | 24       | 809   |         |       | 58.16      | 1.74  | 32    | 624   |          |      | 44.84      | 0.90  | F 57   | 4     |          |      | 37         | 533   |        |       |          |      | 38.30      | 1.06  | 40      | 499   |          |      |            |       | 35.87   | 1.13  | 47       | 420  | 30.22      | 1.32  |        |       | 57       | 347  | 24.96      | 1.56  |        |      | 67       | 294  | 21.17      | 1.92  |        |      | 74       | 266  | 19.11      | 2.1   |        |      | 84         | 234  | 16.81      | 2.4   |            |      | 89         | 221  | 15.88  | 2.6   |            |      | 56       | 355   | 25.54  | 1.06  |            |       | F 47   | 4     | 66       | 301  | 21.66      | 1.25  |        |       | 73       | 272  | 19.56      | 1.38  | 83    | 239   |          |      | 17.21      | 1.57  | 87     | 226   | 16.25    | 1.66 |            |       | 103    | 192   | 13.83    | 1.95 |            |       | 113        | 175   | 12.57    | 2.2  |        |       | 130        | 151  | 10.89    | 2.5  |        |       | 156        | 126   | 9.08   | 2.5   | 99       | 199  | 14.33      | 0.94  | F 37   | 4     | 110      | 179  | 12.87      | 1.05  |        |       | 128      | 154  | 11.08      | 1.16  | 136    | 145   |          |      | 10.42      | 1.20  | 158    | 125   | 8.97     | 1.32 |            |       | 177        | 111  | 8.01     | 1.43 |        |       | 209        | 95   | 6.81       | 1.39 |        |       | 232    | 85    | 6.11       | 1.49  |            |      | 269    | 73    | 5.27   | 1.60  |            |       | 287      | 69   | 4.95   | 1.64  |            |       | 333    | 59    | 4.26     | 1.75 |            |       | 373    | 53    | 3.81     | 1.86 | <b>3kW</b> |       |        |       |          |      | <b>3kW</b> |       |        |       |          |      | 1.2        | 20991 | 1169       | 0.81  | F 157R97 | 4    | 1.2    | 20991 | 1169       | 0.81 |            |      | 1.5    | 17113 | 953   | 0.99  | 1.7        | 15173 |          |      | 845   | 1.12  | 1.9        | 13719 | 764    | 1.23  |          |      | 2.1        | 12211 | 680    | 1.39  |          |      | 2.5        | 10343 | 576   | 1.64  |          |      | 3.2        | 8009  | 446    | 2.1   |          |      | 4.7        | 5405  | 301   | 3.1   |          |      | 5.2        | 4884  | 272    | 3.5  |          |      | 6.1        | 4148  | 231   | 4.1  |          |      | 7.2        | 3520  | 196   | 4.8  |          |      |            |       |       |      |          |      |            |       |       |      |          |      |            |       |       |      |          |      |            |       |       |      |          |      |            |       |       |      |          |      |            |       |       |      |          |      |            |       |       |      |          |      |            |       |       |      |          |      |            |       |       |      |          |      |            |       |       |      |          |      |            |       |       |      |          |      |            |       |       |      |          |      |            |       |       |      |          |      |            |       |       |      |          |      |            |       |            |      |          |      |            |       |            |      |          |      |            |       |       |       |          |      |            |       |       |       |          |      |            |       |       |      |          |       |            |       |       |       |          |      |            |       |       |      |          |       |            |       |       |      |            |       |            |       |       |       |            |      |            |       |       |      |          |       |            |       |          |       |          |       |            |       |      |       |            |      |            |       |            |      |            |       |      |       |            |       |          |       |            |       |            |       |            |       |          |      |            |       |            |       |          |       |            |       |            |       |          |       |          |       |            |       |      |       |          |       |          |       |      |       |          |       |          |       |      |       |      |       |     |       |     |       |     |       |     |       |     |       |     |       |     |       |     |       |     |       |     |      |     |      |
| 19            | 1043       | 75.02    | 1.35                   | 21          | 922     |               |            | 66.28      | 1.53                   | 24          | 809     |          |      | 58.16      | 1.74  | 32       | 624   |         |       | 44.84      | 0.90  | F 57  | 4     |          |      | 37         | 533   |        |       |          |      | 38.30      | 1.06  |        |       |          |      | 40         | 499   | 35.87   | 1.13  | 47       | 420  |            |       | 30.22   | 1.32  | 57       | 347  | 24.96      | 1.56  |        |       | 67       | 294  | 21.17      | 1.92  |        |      | 74       | 266  | 19.11      | 2.1   |        |      | 84       | 234  | 16.81      | 2.4   |        |      | 89         | 221  | 15.88      | 2.6   |            |      | 56         | 355  | 25.54  | 1.06  |            |      | F 47     | 4     | 66     | 301   | 21.66      | 1.25  |        |       | 73       | 272  | 19.56      | 1.38  |        |       | 83       | 239  | 17.21      | 1.57  | 87    | 226   |          |      | 16.25      | 1.66  | 103    | 192   | 13.83    | 1.95 |            |       | 113    | 175   | 12.57    | 2.2  |            |       | 130        | 151   | 10.89    | 2.5  |        |       | 156        | 126  | 9.08     | 2.5  | 99     | 199   | 14.33      | 0.94  | F 37   | 4     | 110      | 179  | 12.87      | 1.05  |        |       | 128      | 154  | 11.08      | 1.16  |        |       | 136      | 145  | 10.42      | 1.20  | 158    | 125   |          |      | 8.97       | 1.32  | 177    | 111   | 8.01     | 1.43 |            |       | 209        | 95   | 6.81     | 1.39 |        |       | 232        | 85   | 6.11       | 1.49 |        |       | 269    | 73    | 5.27       | 1.60  |            |      | 287    | 69    | 4.95   | 1.64  |            |       | 333      | 59   | 4.26   | 1.75  |            |       | 373    | 53    | 3.81     | 1.86 | <b>3kW</b> |       |        |       |          |      | <b>3kW</b> |       |        |       |          |      | 1.2        | 20991 | 1169   | 0.81  | F 157R97 | 4    | 1.2        | 20991 | 1169       | 0.81  |          |      | 1.5    | 17113 | 953        | 0.99 |            |      | 1.7    | 15173 | 845   | 1.12  | 1.9        | 13719 |          |      | 764   | 1.23  | 2.1        | 12211 | 680    | 1.39  |          |      | 2.5        | 10343 | 576    | 1.64  |          |      | 3.2        | 8009  | 446   | 2.1   |          |      | 4.7        | 5405  | 301    | 3.1   |          |      | 5.2        | 4884  | 272   | 3.5   |          |      | 6.1        | 4148  | 231    | 4.1  |          |      | 7.2        | 3520  | 196   | 4.8  |          |      |            |       |       |      |          |      |            |       |       |      |          |      |            |       |       |      |          |      |            |       |       |      |          |      |            |       |       |      |          |      |            |       |       |      |          |      |            |       |       |      |          |      |            |       |       |      |          |      |            |       |       |      |          |      |            |       |       |      |          |      |            |       |       |      |          |      |            |       |       |      |          |      |            |       |       |      |          |      |            |       |       |      |          |      |            |       |       |      |          |      |            |       |            |      |          |      |            |       |            |      |          |      |            |       |       |       |          |      |            |       |       |       |          |      |            |       |       |      |          |       |            |       |       |       |          |      |            |       |       |      |          |       |            |       |       |      |            |       |            |       |       |       |            |      |            |       |       |      |          |       |            |       |          |       |          |       |            |       |      |       |            |      |            |       |            |      |            |       |      |       |            |       |          |       |            |       |            |       |            |       |          |      |            |       |            |       |          |       |            |       |            |       |          |       |          |       |            |       |      |       |          |       |          |       |      |       |          |       |          |       |      |       |      |       |     |       |     |       |     |       |     |       |     |       |     |       |     |       |     |       |     |       |     |      |     |      |
| 21            | 922        | 66.28    | 1.53                   | 24          | 809     |               |            | 58.16      | 1.74                   | 32          | 624     |          |      | 44.84      | 0.90  | F 57     | 4     |         |       | 37         | 533   |       |       |          |      | 38.30      | 1.06  |        |       |          |      | 40         | 499   |        |       | 35.87    | 1.13 | 47         | 420   | 30.22   | 1.32  | 57       | 347  |            |       | 24.96   | 1.56  | 67       | 294  | 21.17      | 1.92  |        |       | 74       | 266  | 19.11      | 2.1   |        |      | 84       | 234  | 16.81      | 2.4   |        |      | 89       | 221  | 15.88      | 2.6   |        |      | 56         | 355  | 25.54      | 1.06  |            |      | F 47       | 4    | 66     | 301   | 21.66      | 1.25 |          |       | 73     | 272   | 19.56      | 1.38  |        |       | 83       | 239  | 17.21      | 1.57  |        |       | 87       | 226  | 16.25      | 1.66  | 103   | 192   |          |      | 13.83      | 1.95  | 113    | 175   | 12.57    | 2.2  |            |       | 130    | 151   | 10.89    | 2.5  |            |       | 156        | 126   | 9.08     | 2.5  | 99     | 199   | 14.33      | 0.94 | F 37     | 4    | 110    | 179   | 12.87      | 1.05  |        |       | 128      | 154  | 11.08      | 1.16  |        |       | 136      | 145  | 10.42      | 1.20  |        |       | 158      | 125  | 8.97       | 1.32  | 177    | 111   |          |      | 8.01       | 1.43  | 209    | 95    | 6.81     | 1.39 |            |       | 232        | 85   | 6.11     | 1.49 |        |       | 269        | 73   | 5.27       | 1.60 |        |       | 287    | 69    | 4.95       | 1.64  |            |      | 333    | 59    | 4.26   | 1.75  |            |       | 373      | 53   | 3.81   | 1.86  | <b>3kW</b> |       |        |       |          |      | <b>3kW</b> |       |        |       |          |      | 1.2        | 20991 | 1169   | 0.81  | F 157R97 | 4    | 1.2        | 20991 | 1169   | 0.81  |          |      | 1.5        | 17113 | 953        | 0.99  |          |      | 1.7    | 15173 | 845        | 1.12 |            |      | 1.9    | 13719 | 764   | 1.23  | 2.1        | 12211 |          |      | 680   | 1.39  | 2.5        | 10343 | 576    | 1.64  |          |      | 3.2        | 8009  | 446    | 2.1   |          |      | 4.7        | 5405  | 301   | 3.1   |          |      | 5.2        | 4884  | 272    | 3.5   |          |      | 6.1        | 4148  | 231   | 4.1   |          |      | 7.2        | 3520  | 196    | 4.8  |          |      |            |       |       |      |          |      |            |       |       |      |          |      |            |       |       |      |          |      |            |       |       |      |          |      |            |       |       |      |          |      |            |       |       |      |          |      |            |       |       |      |          |      |            |       |       |      |          |      |            |       |       |      |          |      |            |       |       |      |          |      |            |       |       |      |          |      |            |       |       |      |          |      |            |       |       |      |          |      |            |       |       |      |          |      |            |       |       |      |          |      |            |       |       |      |          |      |            |       |            |      |          |      |            |       |            |      |          |      |            |       |       |       |          |      |            |       |       |       |          |      |            |       |       |      |          |       |            |       |       |       |          |      |            |       |       |      |          |       |            |       |       |      |            |       |            |       |       |       |            |      |            |       |       |      |          |       |            |       |          |       |          |       |            |       |      |       |            |      |            |       |            |      |            |       |      |       |            |       |          |       |            |       |            |       |            |       |          |      |            |       |            |       |          |       |            |       |            |       |          |       |          |       |            |       |      |       |          |       |          |       |      |       |          |       |          |       |      |       |      |       |     |       |     |       |     |       |     |       |     |       |     |       |     |       |     |       |     |       |     |      |     |      |
| 24            | 809        | 58.16    | 1.74                   | 32          | 624     |               |            | 44.84      | 0.90                   | F 57        | 4       |          |      | 37         | 533   |          |       |         |       | 38.30      | 1.06  |       |       |          |      | 40         | 499   |        |       | 35.87    | 1.13 | 47         | 420   |        |       | 30.22    | 1.32 | 57         | 347   | 24.96   | 1.56  | 67       | 294  |            |       | 21.17   | 1.92  | 74       | 266  | 19.11      | 2.1   |        |       | 84       | 234  | 16.81      | 2.4   |        |      | 89       | 221  | 15.88      | 2.6   |        |      | 56       | 355  | 25.54      | 1.06  |        |      | F 47       | 4    | 66         | 301   | 21.66      | 1.25 |            |      | 73     | 272   | 19.56      | 1.38 |          |       | 83     | 239   | 17.21      | 1.57  |        |       | 87       | 226  | 16.25      | 1.66  |        |       | 103      | 192  | 13.83      | 1.95  | 113   | 175   |          |      | 12.57      | 2.2   | 130    | 151   | 10.89    | 2.5  |            |       | 156    | 126   | 9.08     | 2.5  | 99         | 199   | 14.33      | 0.94  | F 37     | 4    | 110    | 179   | 12.87      | 1.05 |          |      | 128    | 154   | 11.08      | 1.16  |        |       | 136      | 145  | 10.42      | 1.20  |        |       | 158      | 125  | 8.97       | 1.32  |        |       | 177      | 111  | 8.01       | 1.43  | 209    | 95    |          |      | 6.81       | 1.39  | 232    | 85    | 6.11     | 1.49 |            |       | 269        | 73   | 5.27     | 1.60 |        |       | 287        | 69   | 4.95       | 1.64 |        |       | 333    | 59    | 4.26       | 1.75  |            |      | 373    | 53    | 3.81   | 1.86  | <b>3kW</b> |       |          |      |        |       | <b>3kW</b> |       |        |       |          |      | 1.2        | 20991 | 1169   | 0.81  | F 157R97 | 4    | 1.2        | 20991 | 1169   | 0.81  |          |      | 1.5        | 17113 | 953    | 0.99  |          |      | 1.7        | 15173 | 845        | 1.12  |          |      | 1.9    | 13719 | 764        | 1.23 |            |      | 2.1    | 12211 | 680   | 1.39  | 2.5        | 10343 |          |      | 576   | 1.64  | 3.2        | 8009  | 446    | 2.1   |          |      | 4.7        | 5405  | 301    | 3.1   |          |      | 5.2        | 4884  | 272   | 3.5   |          |      | 6.1        | 4148  | 231    | 4.1   |          |      | 7.2        | 3520  | 196   | 4.8   |          |      |            |       |        |      |          |      |            |       |       |      |          |      |            |       |       |      |          |      |            |       |       |      |          |      |            |       |       |      |          |      |            |       |       |      |          |      |            |       |       |      |          |      |            |       |       |      |          |      |            |       |       |      |          |      |            |       |       |      |          |      |            |       |       |      |          |      |            |       |       |      |          |      |            |       |       |      |          |      |            |       |       |      |          |      |            |       |       |      |          |      |            |       |       |      |          |      |            |       |       |      |          |      |            |       |            |      |          |      |            |       |            |      |          |      |            |       |       |       |          |      |            |       |       |       |          |      |            |       |       |      |          |       |            |       |       |       |          |      |            |       |       |      |          |       |            |       |       |      |            |       |            |       |       |       |            |      |            |       |       |      |          |       |            |       |          |       |          |       |            |       |      |       |            |      |            |       |            |      |            |       |      |       |            |       |          |       |            |       |            |       |            |       |          |      |            |       |            |       |          |       |            |       |            |       |          |       |          |       |            |       |      |       |          |       |          |       |      |       |          |       |          |       |      |       |      |       |     |       |     |       |     |       |     |       |     |       |     |       |     |       |     |       |     |       |     |      |     |      |
| 32            | 624        | 44.84    | 0.90                   | F 57        | 4       |               |            | 37         | 533                    |             |         |          |      | 38.30      | 1.06  |          |       |         |       | 40         | 499   |       |       | 35.87    | 1.13 | 47         | 420   |        |       | 30.22    | 1.32 | 57         | 347   |        |       | 24.96    | 1.56 | 67         | 294   | 21.17   | 1.92  | 74       | 266  |            |       | 19.11   | 2.1   | 84       | 234  | 16.81      | 2.4   |        |       | 89       | 221  | 15.88      | 2.6   |        |      | 56       | 355  | 25.54      | 1.06  |        |      | F 47     | 4    | 66         | 301   | 21.66  | 1.25 |            |      | 73         | 272   | 19.56      | 1.38 |            |      | 83     | 239   | 17.21      | 1.57 |          |       | 87     | 226   | 16.25      | 1.66  |        |       | 103      | 192  | 13.83      | 1.95  |        |       | 113      | 175  | 12.57      | 2.2   | 130   | 151   |          |      | 10.89      | 2.5   | 156    | 126   | 9.08     | 2.5  | 99         | 199   | 14.33  | 0.94  | F 37     | 4    | 110        | 179   | 12.87      | 1.05  |          |      | 128    | 154   | 11.08      | 1.16 |          |      | 136    | 145   | 10.42      | 1.20  |        |       | 158      | 125  | 8.97       | 1.32  |        |       | 177      | 111  | 8.01       | 1.43  |        |       | 209      | 95   | 6.81       | 1.39  | 232    | 85    |          |      | 6.11       | 1.49  | 269    | 73    | 5.27     | 1.60 |            |       | 287        | 69   | 4.95     | 1.64 |        |       | 333        | 59   | 4.26       | 1.75 |        |       | 373    | 53    | 3.81       | 1.86  | <b>3kW</b> |      |        |       |        |       | <b>3kW</b> |       |          |      |        |       | 1.2        | 20991 | 1169   | 0.81  | F 157R97 | 4    | 1.2        | 20991 | 1169   | 0.81  |          |      | 1.5        | 17113 | 953    | 0.99  |          |      | 1.7        | 15173 | 845    | 1.12  |          |      | 1.9        | 13719 | 764        | 1.23  |          |      | 2.1    | 12211 | 680        | 1.39 |            |      | 2.5    | 10343 | 576   | 1.64  | 3.2        | 8009  |          |      | 446   | 2.1   | 4.7        | 5405  | 301    | 3.1   |          |      | 5.2        | 4884  | 272    | 3.5   |          |      | 6.1        | 4148  | 231   | 4.1   |          |      | 7.2        | 3520  | 196    | 4.8   |          |      |            |       |       |       |          |      |            |       |        |      |          |      |            |       |       |      |          |      |            |       |       |      |          |      |            |       |       |      |          |      |            |       |       |      |          |      |            |       |       |      |          |      |            |       |       |      |          |      |            |       |       |      |          |      |            |       |       |      |          |      |            |       |       |      |          |      |            |       |       |      |          |      |            |       |       |      |          |      |            |       |       |      |          |      |            |       |       |      |          |      |            |       |       |      |          |      |            |       |       |      |          |      |            |       |       |      |          |      |            |       |            |      |          |      |            |       |            |      |          |      |            |       |       |       |          |      |            |       |       |       |          |      |            |       |       |      |          |       |            |       |       |       |          |      |            |       |       |      |          |       |            |       |       |      |            |       |            |       |       |       |            |      |            |       |       |      |          |       |            |       |          |       |          |       |            |       |      |       |            |      |            |       |            |      |            |       |      |       |            |       |          |       |            |       |            |       |            |       |          |      |            |       |            |       |          |       |            |       |            |       |          |       |          |       |            |       |      |       |          |       |          |       |      |       |          |       |          |       |      |       |      |       |     |       |     |       |     |       |     |       |     |       |     |       |     |       |     |       |     |       |     |      |     |      |
| 37            | 533        | 38.30    | 1.06                   |             |         |               |            | 40         | 499                    |             |         |          |      | 35.87      | 1.13  |          |       | 47      | 420   | 30.22      | 1.32  |       |       | 57       | 347  | 24.96      | 1.56  |        |       | 67       | 294  | 21.17      | 1.92  |        |       | 74       | 266  | 19.11      | 2.1   | 84      | 234   | 16.81    | 2.4  |            |       | 89      | 221   | 15.88    | 2.6  | 56         | 355   |        |       | 25.54    | 1.06 | F 47       | 4     |        |      | 66       | 301  | 21.66      | 1.25  | 73     | 272  |          |      | 19.56      | 1.38  | 83     | 239  |            |      | 17.21      | 1.57  | 87         | 226  |            |      | 16.25  | 1.66  | 103        | 192  |          |       | 13.83  | 1.95  | 113        | 175   |        |       | 12.57    | 2.2  | 130        | 151   |        |       | 10.89    | 2.5  | 156        | 126   | 9.08  | 2.5   | 99       | 199  | 14.33      | 0.94  | F 37   | 4     | 110      | 179  | 12.87      | 1.05  | 128    | 154   |          |      | 11.08      | 1.16  | 136        | 145   |          |      | 10.42  | 1.20  | 158        | 125  |          |      | 8.97   | 1.32  | 177        | 111   |        |       | 8.01     | 1.43 | 209        | 95    |        |       | 6.81     | 1.39 | 232        | 85    |        |       | 6.11     | 1.49 | 269        | 73    | 5.27   | 1.60  |          |      | 287        | 69    | 4.95   | 1.64  | 333      | 59   |            |       | 4.26       | 1.75 | 373      | 53   |        |       | 3.81       | 1.86 | <b>3kW</b> |      |        |       |        |       | <b>3kW</b> |       |            |      |        |       | 1.2    | 20991 | 1169       | 0.81  | F 157R97 | 4    | 1.2    | 20991 | 1169       | 0.81  | 1.5    | 17113 |          |      | 953        | 0.99  | 1.7    | 15173 |          |      | 845        | 1.12  | 1.9    | 13719 |          |      | 764        | 1.23  | 2.1    | 12211 |          |      | 680        | 1.39  | 2.5        | 10343 |          |      | 576    | 1.64  | 3.2        | 8009 |            |      | 446    | 2.1   | 4.7   | 5405  | 301        | 3.1   |          |      | 5.2   | 4884  | 272        | 3.5   | 6.1    | 4148  |          |      | 231        | 4.1   | 7.2    | 3520  |          |      | 196        | 4.8   |       |       |          |      |            |       |        |       |          |      |            |       |       |       |          |      |            |       |        |      |          |      |            |       |       |      |          |      |            |       |       |      |          |      |            |       |       |      |          |      |            |       |       |      |          |      |            |       |       |      |          |      |            |       |       |      |          |      |            |       |       |      |          |      |            |       |       |      |          |      |            |       |       |      |          |      |            |       |       |      |          |      |            |       |       |      |          |      |            |       |       |      |          |      |            |       |       |      |          |      |            |       |       |      |          |      |            |       |       |      |          |      |            |       |       |      |          |      |            |       |            |      |          |      |            |       |            |      |          |      |            |       |       |       |          |      |            |       |       |       |          |      |            |       |       |      |          |       |            |       |       |       |          |      |            |       |       |      |          |       |            |       |       |      |            |       |            |       |       |       |            |      |            |       |       |      |          |       |            |       |          |       |          |       |            |       |      |       |            |      |            |       |            |      |            |       |      |       |            |       |          |       |            |       |            |       |            |       |          |      |            |       |            |       |          |       |            |       |            |       |          |       |          |       |            |       |      |       |          |       |          |       |      |       |          |       |          |       |      |       |      |       |     |       |     |       |     |       |     |       |     |       |     |       |     |       |     |       |     |       |     |      |     |      |
| 40            | 499        | 35.87    | 1.13                   |             |         |               |            | 47         | 420                    |             |         | 30.22    | 1.32 | 57         | 347   |          |       | 24.96   | 1.56  | 67         | 294   |       |       | 21.17    | 1.92 | 74         | 266   |        |       | 19.11    | 2.1  | 84         | 234   |        |       | 16.81    | 2.4  | 89         | 221   | 15.88   | 2.6   | 56       | 355  |            |       | 25.54   | 1.06  | F 47     | 4    | 66         | 301   |        |       | 21.66    | 1.25 |            |       | 73     | 272  | 19.56    | 1.38 | 83         | 239   | 17.21  | 1.57 |          |      | 87         | 226   | 16.25  | 1.66 |            |      | 103        | 192   | 13.83      | 1.95 |            |      | 113    | 175   | 12.57      | 2.2  |          |       | 130    | 151   | 10.89      | 2.5   |        |       | 156      | 126  | 9.08       | 2.5   | 99     | 199   | 14.33    | 0.94 | F 37       | 4     | 110   | 179   | 12.87    | 1.05 | 128        | 154   |        |       | 11.08    | 1.16 | 136        | 145   | 10.42  | 1.20  |          |      | 158        | 125   | 8.97       | 1.32  |          |      | 177    | 111   | 8.01       | 1.43 |          |      | 209    | 95    | 6.81       | 1.39  |        |       | 232      | 85   | 6.11       | 1.49  |        |       | 269      | 73   | 5.27       | 1.60  |        |       | 287      | 69   | 4.95       | 1.64  | 333    | 59    |          |      | 4.26       | 1.75  | 373    | 53    | 3.81     | 1.86 |            |       | <b>3kW</b> |      |          |      |        |       | <b>3kW</b> |      |            |      |        |       | 1.2    | 20991 | 1169       | 0.81  | F 157R97   | 4    | 1.2    | 20991 | 1169   | 0.81  | 1.5        | 17113 |          |      | 953    | 0.99  | 1.7        | 15173 | 845    | 1.12  |          |      | 1.9        | 13719 | 764    | 1.23  |          |      | 2.1        | 12211 | 680    | 1.39  |          |      | 2.5        | 10343 | 576    | 1.64  |          |      | 3.2        | 8009  | 446        | 2.1   |          |      | 4.7    | 5405  | 301        | 3.1  |            |      | 5.2    | 4884  | 272   | 3.5   | 6.1        | 4148  |          |      | 231   | 4.1   | 7.2        | 3520  | 196    | 4.8   |          |      |            |       |        |       |          |      |            |       |       |       |          |      |            |       |        |       |          |      |            |       |       |       |          |      |            |       |        |      |          |      |            |       |       |      |          |      |            |       |       |      |          |      |            |       |       |      |          |      |            |       |       |      |          |      |            |       |       |      |          |      |            |       |       |      |          |      |            |       |       |      |          |      |            |       |       |      |          |      |            |       |       |      |          |      |            |       |       |      |          |      |            |       |       |      |          |      |            |       |       |      |          |      |            |       |       |      |          |      |            |       |       |      |          |      |            |       |       |      |          |      |            |       |       |      |          |      |            |       |            |      |          |      |            |       |            |      |          |      |            |       |       |       |          |      |            |       |       |       |          |      |            |       |       |      |          |       |            |       |       |       |          |      |            |       |       |      |          |       |            |       |       |      |            |       |            |       |       |       |            |      |            |       |       |      |          |       |            |       |          |       |          |       |            |       |      |       |            |      |            |       |            |      |            |       |      |       |            |       |          |       |            |       |            |       |            |       |          |      |            |       |            |       |          |       |            |       |            |       |          |       |          |       |            |       |      |       |          |       |          |       |      |       |          |       |          |       |      |       |      |       |     |       |     |       |     |       |     |       |     |       |     |       |     |       |     |       |     |       |     |      |     |      |
| 47            | 420        | 30.22    | 1.32                   |             |         | 57            | 347        | 24.96      | 1.56                   |             |         | 67       | 294  | 21.17      | 1.92  |          |       | 74      | 266   | 19.11      | 2.1   |       |       | 84       | 234  | 16.81      | 2.4   |        |       | 89       | 221  | 15.88      | 2.6   |        |       | 56       | 355  | 25.54      | 1.06  | F 47    | 4     | 66       | 301  |            |       | 21.66   | 1.25  |          |      | 73         | 272   | 19.56  | 1.38  | 83       | 239  |            |       | 17.21  | 1.57 | 87       | 226  | 16.25      | 1.66  | 103    | 192  |          |      | 13.83      | 1.95  | 113    | 175  |            |      | 12.57      | 2.2   | 130        | 151  |            |      | 10.89  | 2.5   | 156        | 126  |          |       | 9.08   | 2.5   | 99         | 199   | 14.33  | 0.94  | F 37     | 4    | 110        | 179   | 12.87  | 1.05  | 128      | 154  |            |       | 11.08 | 1.16  | 136      | 145  | 10.42      | 1.20  |        |       | 158      | 125  | 8.97       | 1.32  | 177    | 111   |          |      | 8.01       | 1.43  | 209        | 95    |          |      | 6.81   | 1.39  | 232        | 85   |          |      | 6.11   | 1.49  | 269        | 73    |        |       | 5.27     | 1.60 | 287        | 69    |        |       | 4.95     | 1.64 | 333        | 59    |        |       | 4.26     | 1.75 | 373        | 53    | 3.81   | 1.86  |          |      | <b>3kW</b> |       |        |       |          |      | <b>3kW</b> |       |            |      |          |      | 1.2    | 20991 | 1169       | 0.81 | F 157R97   | 4    | 1.2    | 20991 | 1169   | 0.81  | 1.5        | 17113 |            |      | 953    | 0.99  | 1.7    | 15173 | 845        | 1.12  |          |      | 1.9    | 13719 | 764        | 1.23  | 2.1    | 12211 |          |      | 680        | 1.39  | 2.5    | 10343 |          |      | 576        | 1.64  | 3.2    | 8009  |          |      | 446        | 2.1   | 4.7    | 5405  |          |      | 301        | 3.1   | 5.2        | 4884  |          |      | 272    | 3.5   | 6.1        | 4148 |            |      | 231    | 4.1   | 7.2   | 3520  | 196        | 4.8   |          |      |       |       |            |       |        |       |          |      |            |       |        |       |          |      |            |       |       |       |          |      |            |       |        |       |          |      |            |       |       |       |          |      |            |       |        |      |          |      |            |       |       |      |          |      |            |       |       |      |          |      |            |       |       |      |          |      |            |       |       |      |          |      |            |       |       |      |          |      |            |       |       |      |          |      |            |       |       |      |          |      |            |       |       |      |          |      |            |       |       |      |          |      |            |       |       |      |          |      |            |       |       |      |          |      |            |       |       |      |          |      |            |       |       |      |          |      |            |       |       |      |          |      |            |       |       |      |          |      |            |       |       |      |          |      |            |       |            |      |          |      |            |       |            |      |          |      |            |       |       |       |          |      |            |       |       |       |          |      |            |       |       |      |          |       |            |       |       |       |          |      |            |       |       |      |          |       |            |       |       |      |            |       |            |       |       |       |            |      |            |       |       |      |          |       |            |       |          |       |          |       |            |       |      |       |            |      |            |       |            |      |            |       |      |       |            |       |          |       |            |       |            |       |            |       |          |      |            |       |            |       |          |       |            |       |            |       |          |       |          |       |            |       |      |       |          |       |          |       |      |       |          |       |          |       |      |       |      |       |     |       |     |       |     |       |     |       |     |       |     |       |     |       |     |       |     |       |     |      |     |      |
| 57            | 347        | 24.96    | 1.56                   |             |         | 67            | 294        | 21.17      | 1.92                   |             |         | 74       | 266  | 19.11      | 2.1   |          |       | 84      | 234   | 16.81      | 2.4   |       |       | 89       | 221  | 15.88      | 2.6   |        |       | 56       | 355  | 25.54      | 1.06  |        |       | F 47     | 4    | 66         | 301   |         |       | 21.66    | 1.25 | 73         | 272   | 19.56   | 1.38  |          |      | 83         | 239   | 17.21  | 1.57  | 87       | 226  |            |       | 16.25  | 1.66 | 103      | 192  | 13.83      | 1.95  | 113    | 175  |          |      | 12.57      | 2.2   | 130    | 151  |            |      | 10.89      | 2.5   | 156        | 126  |            |      | 9.08   | 2.5   | 99         | 199  | 14.33    | 0.94  | F 37   | 4     | 110        | 179   | 12.87  | 1.05  |          |      | 128        | 154   | 11.08  | 1.16  | 136      | 145  |            |       | 10.42 | 1.20  | 158      | 125  | 8.97       | 1.32  |        |       | 177      | 111  | 8.01       | 1.43  | 209    | 95    |          |      | 6.81       | 1.39  | 232        | 85    |          |      | 6.11   | 1.49  | 269        | 73   |          |      | 5.27   | 1.60  | 287        | 69    |        |       | 4.95     | 1.64 | 333        | 59    |        |       | 4.26     | 1.75 | 373        | 53    |        |       | 3.81     | 1.86 | <b>3kW</b> |       |        |       |          |      | <b>3kW</b> |       |        |       |          |      | 1.2        | 20991 | 1169       | 0.81 | F 157R97 | 4    | 1.2    | 20991 | 1169       | 0.81 |            |      | 1.5    | 17113 | 953    | 0.99  | 1.7        | 15173 |            |      | 845    | 1.12  | 1.9    | 13719 | 764        | 1.23  |          |      | 2.1    | 12211 | 680        | 1.39  | 2.5    | 10343 |          |      | 576        | 1.64  | 3.2    | 8009  |          |      | 446        | 2.1   | 4.7    | 5405  |          |      | 301        | 3.1   | 5.2    | 4884  |          |      | 272        | 3.5   | 6.1        | 4148  |          |      | 231    | 4.1   | 7.2        | 3520 |            |      | 196    | 4.8   |       |       |            |       |          |      |       |       |            |       |        |       |          |      |            |       |        |       |          |      |            |       |       |       |          |      |            |       |        |       |          |      |            |       |       |       |          |      |            |       |        |      |          |      |            |       |       |      |          |      |            |       |       |      |          |      |            |       |       |      |          |      |            |       |       |      |          |      |            |       |       |      |          |      |            |       |       |      |          |      |            |       |       |      |          |      |            |       |       |      |          |      |            |       |       |      |          |      |            |       |       |      |          |      |            |       |       |      |          |      |            |       |       |      |          |      |            |       |       |      |          |      |            |       |       |      |          |      |            |       |       |      |          |      |            |       |       |      |          |      |            |       |            |      |          |      |            |       |            |      |          |      |            |       |       |       |          |      |            |       |       |       |          |      |            |       |       |      |          |       |            |       |       |       |          |      |            |       |       |      |          |       |            |       |       |      |            |       |            |       |       |       |            |      |            |       |       |      |          |       |            |       |          |       |          |       |            |       |      |       |            |      |            |       |            |      |            |       |      |       |            |       |          |       |            |       |            |       |            |       |          |      |            |       |            |       |          |       |            |       |            |       |          |       |          |       |            |       |      |       |          |       |          |       |      |       |          |       |          |       |      |       |      |       |     |       |     |       |     |       |     |       |     |       |     |       |     |       |     |       |     |       |     |      |     |      |
| 67            | 294        | 21.17    | 1.92                   |             |         | 74            | 266        | 19.11      | 2.1                    |             |         | 84       | 234  | 16.81      | 2.4   |          |       | 89      | 221   | 15.88      | 2.6   |       |       | 56       | 355  | 25.54      | 1.06  |        |       | F 47     | 4    | 66         | 301   | 21.66  | 1.25  |          |      | 73         | 272   |         |       | 19.56    | 1.38 | 83         | 239   | 17.21   | 1.57  |          |      | 87         | 226   | 16.25  | 1.66  | 103      | 192  |            |       | 13.83  | 1.95 | 113      | 175  | 12.57      | 2.2   | 130    | 151  |          |      | 10.89      | 2.5   | 156    | 126  |            |      | 9.08       | 2.5   | 99         | 199  | 14.33      | 0.94 | F 37   | 4     | 110        | 179  | 12.87    | 1.05  |        |       | 128        | 154   | 11.08  | 1.16  |          |      | 136        | 145   | 10.42  | 1.20  | 158      | 125  |            |       | 8.97  | 1.32  | 177      | 111  | 8.01       | 1.43  |        |       | 209      | 95   | 6.81       | 1.39  | 232    | 85    |          |      | 6.11       | 1.49  | 269        | 73    |          |      | 5.27   | 1.60  | 287        | 69   |          |      | 4.95   | 1.64  | 333        | 59    |        |       | 4.26     | 1.75 | 373        | 53    |        |       | 3.81     | 1.86 | <b>3kW</b> |       |        |       |          |      | <b>3kW</b> |       |        |       |          |      | 1.2        | 20991 | 1169   | 0.81  | F 157R97 | 4    | 1.2        | 20991 | 1169       | 0.81 |          |      | 1.5    | 17113 | 953        | 0.99 |            |      | 1.7    | 15173 | 845    | 1.12  | 1.9        | 13719 |            |      | 764    | 1.23  | 2.1    | 12211 | 680        | 1.39  |          |      | 2.5    | 10343 | 576        | 1.64  | 3.2    | 8009  |          |      | 446        | 2.1   | 4.7    | 5405  |          |      | 301        | 3.1   | 5.2    | 4884  |          |      | 272        | 3.5   | 6.1    | 4148  |          |      | 231        | 4.1   | 7.2        | 3520  |          |      | 196    | 4.8   |            |      |            |      |        |       |       |       |            |       |          |      |       |       |            |       |        |       |          |      |            |       |        |       |          |      |            |       |       |       |          |      |            |       |        |       |          |      |            |       |       |       |          |      |            |       |        |      |          |      |            |       |       |      |          |      |            |       |       |      |          |      |            |       |       |      |          |      |            |       |       |      |          |      |            |       |       |      |          |      |            |       |       |      |          |      |            |       |       |      |          |      |            |       |       |      |          |      |            |       |       |      |          |      |            |       |       |      |          |      |            |       |       |      |          |      |            |       |       |      |          |      |            |       |       |      |          |      |            |       |       |      |          |      |            |       |       |      |          |      |            |       |       |      |          |      |            |       |            |      |          |      |            |       |            |      |          |      |            |       |       |       |          |      |            |       |       |       |          |      |            |       |       |      |          |       |            |       |       |       |          |      |            |       |       |      |          |       |            |       |       |      |            |       |            |       |       |       |            |      |            |       |       |      |          |       |            |       |          |       |          |       |            |       |      |       |            |      |            |       |            |      |            |       |      |       |            |       |          |       |            |       |            |       |            |       |          |      |            |       |            |       |          |       |            |       |            |       |          |       |          |       |            |       |      |       |          |       |          |       |      |       |          |       |          |       |      |       |      |       |     |       |     |       |     |       |     |       |     |       |     |       |     |       |     |       |     |       |     |      |     |      |
| 74            | 266        | 19.11    | 2.1                    |             |         | 84            | 234        | 16.81      | 2.4                    |             |         | 89       | 221  | 15.88      | 2.6   |          |       | 56      | 355   | 25.54      | 1.06  |       |       | F 47     | 4    | 66         | 301   | 21.66  | 1.25  |          |      | 73         | 272   | 19.56  | 1.38  |          |      | 83         | 239   |         |       | 17.21    | 1.57 | 87         | 226   | 16.25   | 1.66  |          |      | 103        | 192   | 13.83  | 1.95  | 113      | 175  |            |       | 12.57  | 2.2  | 130      | 151  | 10.89      | 2.5   | 156    | 126  |          |      | 9.08       | 2.5   | 99     | 199  | 14.33      | 0.94 | F 37       | 4     | 110        | 179  | 12.87      | 1.05 |        |       | 128        | 154  | 11.08    | 1.16  |        |       | 136        | 145   | 10.42  | 1.20  |          |      | 158        | 125   | 8.97   | 1.32  | 177      | 111  |            |       | 8.01  | 1.43  | 209      | 95   | 6.81       | 1.39  |        |       | 232      | 85   | 6.11       | 1.49  | 269    | 73    |          |      | 5.27       | 1.60  | 287        | 69    |          |      | 4.95   | 1.64  | 333        | 59   |          |      | 4.26   | 1.75  | 373        | 53    |        |       | 3.81     | 1.86 | <b>3kW</b> |       |        |       |          |      | <b>3kW</b> |       |        |       |          |      | 1.2        | 20991 | 1169   | 0.81  | F 157R97 | 4    | 1.2        | 20991 | 1169   | 0.81  |          |      | 1.5        | 17113 | 953        | 0.99 |          |      | 1.7    | 15173 | 845        | 1.12 |            |      | 1.9    | 13719 | 764    | 1.23  | 2.1        | 12211 |            |      | 680    | 1.39  | 2.5    | 10343 | 576        | 1.64  |          |      | 3.2    | 8009  | 446        | 2.1   | 4.7    | 5405  |          |      | 301        | 3.1   | 5.2    | 4884  |          |      | 272        | 3.5   | 6.1    | 4148  |          |      | 231        | 4.1   | 7.2    | 3520  |          |      | 196        | 4.8   |            |       |          |      |        |       |            |      |            |      |        |       |       |       |            |       |          |      |       |       |            |       |        |       |          |      |            |       |        |       |          |      |            |       |       |       |          |      |            |       |        |       |          |      |            |       |       |       |          |      |            |       |        |      |          |      |            |       |       |      |          |      |            |       |       |      |          |      |            |       |       |      |          |      |            |       |       |      |          |      |            |       |       |      |          |      |            |       |       |      |          |      |            |       |       |      |          |      |            |       |       |      |          |      |            |       |       |      |          |      |            |       |       |      |          |      |            |       |       |      |          |      |            |       |       |      |          |      |            |       |       |      |          |      |            |       |       |      |          |      |            |       |       |      |          |      |            |       |       |      |          |      |            |       |            |      |          |      |            |       |            |      |          |      |            |       |       |       |          |      |            |       |       |       |          |      |            |       |       |      |          |       |            |       |       |       |          |      |            |       |       |      |          |       |            |       |       |      |            |       |            |       |       |       |            |      |            |       |       |      |          |       |            |       |          |       |          |       |            |       |      |       |            |      |            |       |            |      |            |       |      |       |            |       |          |       |            |       |            |       |            |       |          |      |            |       |            |       |          |       |            |       |            |       |          |       |          |       |            |       |      |       |          |       |          |       |      |       |          |       |          |       |      |       |      |       |     |       |     |       |     |       |     |       |     |       |     |       |     |       |     |       |     |       |     |      |     |      |
| 84            | 234        | 16.81    | 2.4                    |             |         | 89            | 221        | 15.88      | 2.6                    |             |         | 56       | 355  | 25.54      | 1.06  |          |       | F 47    | 4     | 66         | 301   | 21.66 | 1.25  |          |      | 73         | 272   | 19.56  | 1.38  |          |      | 83         | 239   | 17.21  | 1.57  |          |      | 87         | 226   |         |       | 16.25    | 1.66 | 103        | 192   | 13.83   | 1.95  |          |      | 113        | 175   | 12.57  | 2.2   | 130      | 151  |            |       | 10.89  | 2.5  | 156      | 126  | 9.08       | 2.5   | 99     | 199  | 14.33    | 0.94 | F 37       | 4     | 110    | 179  | 12.87      | 1.05 |            |       | 128        | 154  | 11.08      | 1.16 |        |       | 136        | 145  | 10.42    | 1.20  |        |       | 158        | 125   | 8.97   | 1.32  |          |      | 177        | 111   | 8.01   | 1.43  | 209      | 95   |            |       | 6.81  | 1.39  | 232      | 85   | 6.11       | 1.49  |        |       | 269      | 73   | 5.27       | 1.60  | 287    | 69    |          |      | 4.95       | 1.64  | 333        | 59    |          |      | 4.26   | 1.75  | 373        | 53   |          |      | 3.81   | 1.86  | <b>3kW</b> |       |        |       |          |      | <b>3kW</b> |       |        |       |          |      | 1.2        | 20991 | 1169   | 0.81  | F 157R97 | 4    | 1.2        | 20991 | 1169   | 0.81  |          |      | 1.5        | 17113 | 953    | 0.99  |          |      | 1.7        | 15173 | 845        | 1.12 |          |      | 1.9    | 13719 | 764        | 1.23 |            |      | 2.1    | 12211 | 680    | 1.39  | 2.5        | 10343 |            |      | 576    | 1.64  | 3.2    | 8009  | 446        | 2.1   |          |      | 4.7    | 5405  | 301        | 3.1   | 5.2    | 4884  |          |      | 272        | 3.5   | 6.1    | 4148  |          |      | 231        | 4.1   | 7.2    | 3520  |          |      | 196        | 4.8   |        |       |          |      |            |       |            |       |          |      |        |       |            |      |            |      |        |       |       |       |            |       |          |      |       |       |            |       |        |       |          |      |            |       |        |       |          |      |            |       |       |       |          |      |            |       |        |       |          |      |            |       |       |       |          |      |            |       |        |      |          |      |            |       |       |      |          |      |            |       |       |      |          |      |            |       |       |      |          |      |            |       |       |      |          |      |            |       |       |      |          |      |            |       |       |      |          |      |            |       |       |      |          |      |            |       |       |      |          |      |            |       |       |      |          |      |            |       |       |      |          |      |            |       |       |      |          |      |            |       |       |      |          |      |            |       |       |      |          |      |            |       |       |      |          |      |            |       |       |      |          |      |            |       |       |      |          |      |            |       |            |      |          |      |            |       |            |      |          |      |            |       |       |       |          |      |            |       |       |       |          |      |            |       |       |      |          |       |            |       |       |       |          |      |            |       |       |      |          |       |            |       |       |      |            |       |            |       |       |       |            |      |            |       |       |      |          |       |            |       |          |       |          |       |            |       |      |       |            |      |            |       |            |      |            |       |      |       |            |       |          |       |            |       |            |       |            |       |          |      |            |       |            |       |          |       |            |       |            |       |          |       |          |       |            |       |      |       |          |       |          |       |      |       |          |       |          |       |      |       |      |       |     |       |     |       |     |       |     |       |     |       |     |       |     |       |     |       |     |       |     |      |     |      |
| 89            | 221        | 15.88    | 2.6                    |             |         | 56            | 355        | 25.54      | 1.06                   |             |         | F 47     | 4    | 66         | 301   | 21.66    | 1.25  |         |       | 73         | 272   | 19.56 | 1.38  |          |      | 83         | 239   | 17.21  | 1.57  |          |      | 87         | 226   | 16.25  | 1.66  |          |      | 103        | 192   |         |       | 13.83    | 1.95 | 113        | 175   | 12.57   | 2.2   |          |      | 130        | 151   | 10.89  | 2.5   | 156      | 126  | 9.08       | 2.5   | 99     | 199  | 14.33    | 0.94 | F 37       | 4     | 110    | 179  | 12.87    | 1.05 |            |       | 128    | 154  | 11.08      | 1.16 |            |       | 136        | 145  | 10.42      | 1.20 |        |       | 158        | 125  | 8.97     | 1.32  |        |       | 177        | 111   | 8.01   | 1.43  |          |      | 209        | 95    | 6.81   | 1.39  | 232      | 85   |            |       | 6.11  | 1.49  | 269      | 73   | 5.27       | 1.60  |        |       | 287      | 69   | 4.95       | 1.64  | 333    | 59    |          |      | 4.26       | 1.75  | 373        | 53    |          |      | 3.81   | 1.86  | <b>3kW</b> |      |          |      |        |       | <b>3kW</b> |       |        |       |          |      | 1.2        | 20991 | 1169   | 0.81  | F 157R97 | 4    | 1.2        | 20991 | 1169   | 0.81  |          |      | 1.5        | 17113 | 953    | 0.99  |          |      | 1.7        | 15173 | 845    | 1.12  |          |      | 1.9        | 13719 | 764        | 1.23 |          |      | 2.1    | 12211 | 680        | 1.39 |            |      | 2.5    | 10343 | 576    | 1.64  | 3.2        | 8009  |            |      | 446    | 2.1   | 4.7    | 5405  | 301        | 3.1   |          |      | 5.2    | 4884  | 272        | 3.5   | 6.1    | 4148  |          |      | 231        | 4.1   | 7.2    | 3520  |          |      | 196        | 4.8   |        |       |          |      |            |       |        |       |          |      |            |       |            |       |          |      |        |       |            |      |            |      |        |       |       |       |            |       |          |      |       |       |            |       |        |       |          |      |            |       |        |       |          |      |            |       |       |       |          |      |            |       |        |       |          |      |            |       |       |       |          |      |            |       |        |      |          |      |            |       |       |      |          |      |            |       |       |      |          |      |            |       |       |      |          |      |            |       |       |      |          |      |            |       |       |      |          |      |            |       |       |      |          |      |            |       |       |      |          |      |            |       |       |      |          |      |            |       |       |      |          |      |            |       |       |      |          |      |            |       |       |      |          |      |            |       |       |      |          |      |            |       |       |      |          |      |            |       |       |      |          |      |            |       |       |      |          |      |            |       |       |      |          |      |            |       |            |      |          |      |            |       |            |      |          |      |            |       |       |       |          |      |            |       |       |       |          |      |            |       |       |      |          |       |            |       |       |       |          |      |            |       |       |      |          |       |            |       |       |      |            |       |            |       |       |       |            |      |            |       |       |      |          |       |            |       |          |       |          |       |            |       |      |       |            |      |            |       |            |      |            |       |      |       |            |       |          |       |            |       |            |       |            |       |          |      |            |       |            |       |          |       |            |       |            |       |          |       |          |       |            |       |      |       |          |       |          |       |      |       |          |       |          |       |      |       |      |       |     |       |     |       |     |       |     |       |     |       |     |       |     |       |     |       |     |       |     |      |     |      |
| 56            | 355        | 25.54    | 1.06                   |             |         | F 47          | 4          | 66         | 301                    | 21.66       | 1.25    |          |      | 73         | 272   | 19.56    | 1.38  |         |       | 83         | 239   | 17.21 | 1.57  |          |      | 87         | 226   | 16.25  | 1.66  |          |      | 103        | 192   | 13.83  | 1.95  |          |      | 113        | 175   |         |       | 12.57    | 2.2  | 130        | 151   | 10.89   | 2.5   | 156      | 126  | 9.08       | 2.5   | 99     | 199   | 14.33    | 0.94 | F 37       | 4     | 110    | 179  | 12.87    | 1.05 |            |       | 128    | 154  | 11.08    | 1.16 |            |       | 136    | 145  | 10.42      | 1.20 |            |       | 158        | 125  | 8.97       | 1.32 |        |       | 177        | 111  | 8.01     | 1.43  |        |       | 209        | 95    | 6.81   | 1.39  |          |      | 232        | 85    | 6.11   | 1.49  | 269      | 73   |            |       | 5.27  | 1.60  | 287      | 69   | 4.95       | 1.64  |        |       | 333      | 59   | 4.26       | 1.75  | 373    | 53    |          |      | 3.81       | 1.86  | <b>3kW</b> |       |          |      |        |       | <b>3kW</b> |      |          |      |        |       | 1.2        | 20991 | 1169   | 0.81  | F 157R97 | 4    | 1.2        | 20991 | 1169   | 0.81  |          |      | 1.5        | 17113 | 953    | 0.99  |          |      | 1.7        | 15173 | 845    | 1.12  |          |      | 1.9        | 13719 | 764    | 1.23  |          |      | 2.1        | 12211 | 680        | 1.39 |          |      | 2.5    | 10343 | 576        | 1.64 |            |      | 3.2    | 8009  | 446    | 2.1   | 4.7        | 5405  |            |      | 301    | 3.1   | 5.2    | 4884  | 272        | 3.5   |          |      | 6.1    | 4148  | 231        | 4.1   | 7.2    | 3520  |          |      | 196        | 4.8   |        |       |          |      |            |       |        |       |          |      |            |       |        |       |          |      |            |       |            |       |          |      |        |       |            |      |            |      |        |       |       |       |            |       |          |      |       |       |            |       |        |       |          |      |            |       |        |       |          |      |            |       |       |       |          |      |            |       |        |       |          |      |            |       |       |       |          |      |            |       |        |      |          |      |            |       |       |      |          |      |            |       |       |      |          |      |            |       |       |      |          |      |            |       |       |      |          |      |            |       |       |      |          |      |            |       |       |      |          |      |            |       |       |      |          |      |            |       |       |      |          |      |            |       |       |      |          |      |            |       |       |      |          |      |            |       |       |      |          |      |            |       |       |      |          |      |            |       |       |      |          |      |            |       |       |      |          |      |            |       |       |      |          |      |            |       |       |      |          |      |            |       |            |      |          |      |            |       |            |      |          |      |            |       |       |       |          |      |            |       |       |       |          |      |            |       |       |      |          |       |            |       |       |       |          |      |            |       |       |      |          |       |            |       |       |      |            |       |            |       |       |       |            |      |            |       |       |      |          |       |            |       |          |       |          |       |            |       |      |       |            |      |            |       |            |      |            |       |      |       |            |       |          |       |            |       |            |       |            |       |          |      |            |       |            |       |          |       |            |       |            |       |          |       |          |       |            |       |      |       |          |       |          |       |      |       |          |       |          |       |      |       |      |       |     |       |     |       |     |       |     |       |     |       |     |       |     |       |     |       |     |       |     |      |     |      |
| 66            | 301        | 21.66    | 1.25                   | 73          | 272     |               |            | 19.56      | 1.38                   | 83          | 239     |          |      | 17.21      | 1.57  | 87       | 226   |         |       | 16.25      | 1.66  | 103   | 192   |          |      | 13.83      | 1.95  | 113    | 175   |          |      | 12.57      | 2.2   | 130    | 151   |          |      | 10.89      | 2.5   | 156     | 126   | 9.08     | 2.5  | 99         | 199   | 14.33   | 0.94  | F 37     | 4    | 110        | 179   | 12.87  | 1.05  | 128      | 154  |            |       | 11.08  | 1.16 | 136      | 145  |            |       | 10.42  | 1.20 | 158      | 125  |            |       | 8.97   | 1.32 | 177        | 111  |            |       | 8.01       | 1.43 | 209        | 95   |        |       | 6.81       | 1.39 | 232      | 85    |        |       | 6.11       | 1.49  | 269    | 73    |          |      | 5.27       | 1.60  | 287    | 69    | 4.95     | 1.64 |            |       | 333   | 59    | 4.26     | 1.75 | 373        | 53    |        |       | 3.81     | 1.86 | <b>3kW</b> |       |        |       |          |      | <b>3kW</b> |       |            |       |          |      | 1.2    | 20991 | 1169       | 0.81 | F 157R97 | 4    | 1.2    | 20991 | 1169       | 0.81  | 1.5    | 17113 |          |      | 953        | 0.99  | 1.7    | 15173 |          |      | 845        | 1.12  | 1.9    | 13719 |          |      | 764        | 1.23  | 2.1    | 12211 |          |      | 680        | 1.39  | 2.5    | 10343 |          |      | 576        | 1.64  | 3.2        | 8009 |          |      | 446    | 2.1   | 4.7        | 5405 |            |      | 301    | 3.1   | 5.2    | 4884  | 272        | 3.5   |            |      | 6.1    | 4148  | 231    | 4.1   | 7.2        | 3520  |          |      | 196    | 4.8   |            |       |        |       |          |      |            |       |        |       |          |      |            |       |        |       |          |      |            |       |        |       |          |      |            |       |            |       |          |      |        |       |            |      |            |      |        |       |       |       |            |       |          |      |       |       |            |       |        |       |          |      |            |       |        |       |          |      |            |       |       |       |          |      |            |       |        |       |          |      |            |       |       |       |          |      |            |       |        |      |          |      |            |       |       |      |          |      |            |       |       |      |          |      |            |       |       |      |          |      |            |       |       |      |          |      |            |       |       |      |          |      |            |       |       |      |          |      |            |       |       |      |          |      |            |       |       |      |          |      |            |       |       |      |          |      |            |       |       |      |          |      |            |       |       |      |          |      |            |       |       |      |          |      |            |       |       |      |          |      |            |       |       |      |          |      |            |       |       |      |          |      |            |       |       |      |          |      |            |       |            |      |          |      |            |       |            |      |          |      |            |       |       |       |          |      |            |       |       |       |          |      |            |       |       |      |          |       |            |       |       |       |          |      |            |       |       |      |          |       |            |       |       |      |            |       |            |       |       |       |            |      |            |       |       |      |          |       |            |       |          |       |          |       |            |       |      |       |            |      |            |       |            |      |            |       |      |       |            |       |          |       |            |       |            |       |            |       |          |      |            |       |            |       |          |       |            |       |            |       |          |       |          |       |            |       |      |       |          |       |          |       |      |       |          |       |          |       |      |       |      |       |     |       |     |       |     |       |     |       |     |       |     |       |     |       |     |       |     |       |     |      |     |      |
| 73            | 272        | 19.56    | 1.38                   | 83          | 239     |               |            | 17.21      | 1.57                   | 87          | 226     |          |      | 16.25      | 1.66  | 103      | 192   |         |       | 13.83      | 1.95  | 113   | 175   |          |      | 12.57      | 2.2   | 130    | 151   |          |      | 10.89      | 2.5   | 156    | 126   | 9.08     | 2.5  | 99         | 199   | 14.33   | 0.94  | F 37     | 4    | 110        | 179   | 12.87   | 1.05  |          |      | 128        | 154   | 11.08  | 1.16  | 136      | 145  |            |       | 10.42  | 1.20 | 158      | 125  |            |       | 8.97   | 1.32 | 177      | 111  |            |       | 8.01   | 1.43 | 209        | 95   |            |       | 6.81       | 1.39 | 232        | 85   |        |       | 6.11       | 1.49 | 269      | 73    |        |       | 5.27       | 1.60  | 287    | 69    |          |      | 4.95       | 1.64  | 333    | 59    | 4.26     | 1.75 |            |       | 373   | 53    | 3.81     | 1.86 | <b>3kW</b> |       |        |       |          |      | <b>3kW</b> |       |        |       |          |      | 1.2        | 20991 | 1169       | 0.81  | F 157R97 | 4    | 1.2    | 20991 | 1169       | 0.81 |          |      | 1.5    | 17113 | 953        | 0.99  | 1.7    | 15173 |          |      | 845        | 1.12  | 1.9    | 13719 |          |      | 764        | 1.23  | 2.1    | 12211 |          |      | 680        | 1.39  | 2.5    | 10343 |          |      | 576        | 1.64  | 3.2    | 8009  |          |      | 446        | 2.1   | 4.7        | 5405 |          |      | 301    | 3.1   | 5.2        | 4884 |            |      | 272    | 3.5   | 6.1    | 4148  | 231        | 4.1   |            |      | 7.2    | 3520  | 196    | 4.8   |            |       |          |      |        |       |            |       |        |       |          |      |            |       |        |       |          |      |            |       |        |       |          |      |            |       |        |       |          |      |            |       |            |       |          |      |        |       |            |      |            |      |        |       |       |       |            |       |          |      |       |       |            |       |        |       |          |      |            |       |        |       |          |      |            |       |       |       |          |      |            |       |        |       |          |      |            |       |       |       |          |      |            |       |        |      |          |      |            |       |       |      |          |      |            |       |       |      |          |      |            |       |       |      |          |      |            |       |       |      |          |      |            |       |       |      |          |      |            |       |       |      |          |      |            |       |       |      |          |      |            |       |       |      |          |      |            |       |       |      |          |      |            |       |       |      |          |      |            |       |       |      |          |      |            |       |       |      |          |      |            |       |       |      |          |      |            |       |       |      |          |      |            |       |       |      |          |      |            |       |       |      |          |      |            |       |            |      |          |      |            |       |            |      |          |      |            |       |       |       |          |      |            |       |       |       |          |      |            |       |       |      |          |       |            |       |       |       |          |      |            |       |       |      |          |       |            |       |       |      |            |       |            |       |       |       |            |      |            |       |       |      |          |       |            |       |          |       |          |       |            |       |      |       |            |      |            |       |            |      |            |       |      |       |            |       |          |       |            |       |            |       |            |       |          |      |            |       |            |       |          |       |            |       |            |       |          |       |          |       |            |       |      |       |          |       |          |       |      |       |          |       |          |       |      |       |      |       |     |       |     |       |     |       |     |       |     |       |     |       |     |       |     |       |     |       |     |      |     |      |
| 83            | 239        | 17.21    | 1.57                   | 87          | 226     |               |            | 16.25      | 1.66                   | 103         | 192     |          |      | 13.83      | 1.95  | 113      | 175   |         |       | 12.57      | 2.2   | 130   | 151   |          |      | 10.89      | 2.5   | 156    | 126   | 9.08     | 2.5  | 99         | 199   | 14.33  | 0.94  | F 37     | 4    | 110        | 179   | 12.87   | 1.05  |          |      | 128        | 154   | 11.08   | 1.16  |          |      | 136        | 145   | 10.42  | 1.20  | 158      | 125  |            |       | 8.97   | 1.32 | 177      | 111  |            |       | 8.01   | 1.43 | 209      | 95   |            |       | 6.81   | 1.39 | 232        | 85   |            |       | 6.11       | 1.49 | 269        | 73   |        |       | 5.27       | 1.60 | 287      | 69    |        |       | 4.95       | 1.64  | 333    | 59    |          |      | 4.26       | 1.75  | 373    | 53    | 3.81     | 1.86 | <b>3kW</b> |       |       |       |          |      | <b>3kW</b> |       |        |       |          |      | 1.2        | 20991 | 1169   | 0.81  | F 157R97 | 4    | 1.2        | 20991 | 1169       | 0.81  |          |      | 1.5    | 17113 | 953        | 0.99 |          |      | 1.7    | 15173 | 845        | 1.12  | 1.9    | 13719 |          |      | 764        | 1.23  | 2.1    | 12211 |          |      | 680        | 1.39  | 2.5    | 10343 |          |      | 576        | 1.64  | 3.2    | 8009  |          |      | 446        | 2.1   | 4.7    | 5405  |          |      | 301        | 3.1   | 5.2        | 4884 |          |      | 272    | 3.5   | 6.1        | 4148 |            |      | 231    | 4.1   | 7.2    | 3520  | 196        | 4.8   |            |      |        |       |        |       |            |       |          |      |        |       |            |       |        |       |          |      |            |       |        |       |          |      |            |       |        |       |          |      |            |       |        |       |          |      |            |       |            |       |          |      |        |       |            |      |            |      |        |       |       |       |            |       |          |      |       |       |            |       |        |       |          |      |            |       |        |       |          |      |            |       |       |       |          |      |            |       |        |       |          |      |            |       |       |       |          |      |            |       |        |      |          |      |            |       |       |      |          |      |            |       |       |      |          |      |            |       |       |      |          |      |            |       |       |      |          |      |            |       |       |      |          |      |            |       |       |      |          |      |            |       |       |      |          |      |            |       |       |      |          |      |            |       |       |      |          |      |            |       |       |      |          |      |            |       |       |      |          |      |            |       |       |      |          |      |            |       |       |      |          |      |            |       |       |      |          |      |            |       |       |      |          |      |            |       |       |      |          |      |            |       |            |      |          |      |            |       |            |      |          |      |            |       |       |       |          |      |            |       |       |       |          |      |            |       |       |      |          |       |            |       |       |       |          |      |            |       |       |      |          |       |            |       |       |      |            |       |            |       |       |       |            |      |            |       |       |      |          |       |            |       |          |       |          |       |            |       |      |       |            |      |            |       |            |      |            |       |      |       |            |       |          |       |            |       |            |       |            |       |          |      |            |       |            |       |          |       |            |       |            |       |          |       |          |       |            |       |      |       |          |       |          |       |      |       |          |       |          |       |      |       |      |       |     |       |     |       |     |       |     |       |     |       |     |       |     |       |     |       |     |       |     |      |     |      |
| 87            | 226        | 16.25    | 1.66                   | 103         | 192     |               |            | 13.83      | 1.95                   | 113         | 175     |          |      | 12.57      | 2.2   | 130      | 151   |         |       | 10.89      | 2.5   | 156   | 126   | 9.08     | 2.5  | 99         | 199   | 14.33  | 0.94  | F 37     | 4    | 110        | 179   | 12.87  | 1.05  |          |      | 128        | 154   | 11.08   | 1.16  |          |      | 136        | 145   | 10.42   | 1.20  |          |      | 158        | 125   | 8.97   | 1.32  | 177      | 111  |            |       | 8.01   | 1.43 | 209      | 95   |            |       | 6.81   | 1.39 | 232      | 85   |            |       | 6.11   | 1.49 | 269        | 73   |            |       | 5.27       | 1.60 | 287        | 69   |        |       | 4.95       | 1.64 | 333      | 59    |        |       | 4.26       | 1.75  | 373    | 53    | 3.81     | 1.86 | <b>3kW</b> |       |        |       |          |      | <b>3kW</b> |       |       |       |          |      | 1.2        | 20991 | 1169   | 0.81  | F 157R97 | 4    | 1.2        | 20991 | 1169   | 0.81  |          |      | 1.5        | 17113 | 953        | 0.99  |          |      | 1.7    | 15173 | 845        | 1.12 |          |      | 1.9    | 13719 | 764        | 1.23  | 2.1    | 12211 |          |      | 680        | 1.39  | 2.5    | 10343 |          |      | 576        | 1.64  | 3.2    | 8009  |          |      | 446        | 2.1   | 4.7    | 5405  |          |      | 301        | 3.1   | 5.2    | 4884  |          |      | 272        | 3.5   | 6.1        | 4148 |          |      | 231    | 4.1   | 7.2        | 3520 |            |      | 196    | 4.8   |        |       |            |       |            |      |        |       |        |       |            |       |          |      |        |       |            |       |        |       |          |      |            |       |        |       |          |      |            |       |        |       |          |      |            |       |        |       |          |      |            |       |            |       |          |      |        |       |            |      |            |      |        |       |       |       |            |       |          |      |       |       |            |       |        |       |          |      |            |       |        |       |          |      |            |       |       |       |          |      |            |       |        |       |          |      |            |       |       |       |          |      |            |       |        |      |          |      |            |       |       |      |          |      |            |       |       |      |          |      |            |       |       |      |          |      |            |       |       |      |          |      |            |       |       |      |          |      |            |       |       |      |          |      |            |       |       |      |          |      |            |       |       |      |          |      |            |       |       |      |          |      |            |       |       |      |          |      |            |       |       |      |          |      |            |       |       |      |          |      |            |       |       |      |          |      |            |       |       |      |          |      |            |       |       |      |          |      |            |       |       |      |          |      |            |       |            |      |          |      |            |       |            |      |          |      |            |       |       |       |          |      |            |       |       |       |          |      |            |       |       |      |          |       |            |       |       |       |          |      |            |       |       |      |          |       |            |       |       |      |            |       |            |       |       |       |            |      |            |       |       |      |          |       |            |       |          |       |          |       |            |       |      |       |            |      |            |       |            |      |            |       |      |       |            |       |          |       |            |       |            |       |            |       |          |      |            |       |            |       |          |       |            |       |            |       |          |       |          |       |            |       |      |       |          |       |          |       |      |       |          |       |          |       |      |       |      |       |     |       |     |       |     |       |     |       |     |       |     |       |     |       |     |       |     |       |     |      |     |      |
| 103           | 192        | 13.83    | 1.95                   | 113         | 175     |               |            | 12.57      | 2.2                    | 130         | 151     |          |      | 10.89      | 2.5   | 156      | 126   | 9.08    | 2.5   | 99         | 199   | 14.33 | 0.94  | F 37     | 4    | 110        | 179   | 12.87  | 1.05  |          |      | 128        | 154   | 11.08  | 1.16  |          |      | 136        | 145   | 10.42   | 1.20  |          |      | 158        | 125   | 8.97    | 1.32  |          |      | 177        | 111   | 8.01   | 1.43  | 209      | 95   |            |       | 6.81   | 1.39 | 232      | 85   |            |       | 6.11   | 1.49 | 269      | 73   |            |       | 5.27   | 1.60 | 287        | 69   |            |       | 4.95       | 1.64 | 333        | 59   |        |       | 4.26       | 1.75 | 373      | 53    | 3.81   | 1.86  | <b>3kW</b> |       |        |       |          |      | <b>3kW</b> |       |        |       |          |      | 1.2        | 20991 | 1169  | 0.81  | F 157R97 | 4    | 1.2        | 20991 | 1169   | 0.81  |          |      | 1.5        | 17113 | 953    | 0.99  |          |      | 1.7        | 15173 | 845        | 1.12  |          |      | 1.9    | 13719 | 764        | 1.23 |          |      | 2.1    | 12211 | 680        | 1.39  | 2.5    | 10343 |          |      | 576        | 1.64  | 3.2    | 8009  |          |      | 446        | 2.1   | 4.7    | 5405  |          |      | 301        | 3.1   | 5.2    | 4884  |          |      | 272        | 3.5   | 6.1    | 4148  |          |      | 231        | 4.1   | 7.2        | 3520 |          |      | 196    | 4.8   |            |      |            |      |        |       |        |       |            |       |            |      |        |       |        |       |            |       |          |      |        |       |            |       |        |       |          |      |            |       |        |       |          |      |            |       |        |       |          |      |            |       |        |       |          |      |            |       |            |       |          |      |        |       |            |      |            |      |        |       |       |       |            |       |          |      |       |       |            |       |        |       |          |      |            |       |        |       |          |      |            |       |       |       |          |      |            |       |        |       |          |      |            |       |       |       |          |      |            |       |        |      |          |      |            |       |       |      |          |      |            |       |       |      |          |      |            |       |       |      |          |      |            |       |       |      |          |      |            |       |       |      |          |      |            |       |       |      |          |      |            |       |       |      |          |      |            |       |       |      |          |      |            |       |       |      |          |      |            |       |       |      |          |      |            |       |       |      |          |      |            |       |       |      |          |      |            |       |       |      |          |      |            |       |       |      |          |      |            |       |       |      |          |      |            |       |       |      |          |      |            |       |            |      |          |      |            |       |            |      |          |      |            |       |       |       |          |      |            |       |       |       |          |      |            |       |       |      |          |       |            |       |       |       |          |      |            |       |       |      |          |       |            |       |       |      |            |       |            |       |       |       |            |      |            |       |       |      |          |       |            |       |          |       |          |       |            |       |      |       |            |      |            |       |            |      |            |       |      |       |            |       |          |       |            |       |            |       |            |       |          |      |            |       |            |       |          |       |            |       |            |       |          |       |          |       |            |       |      |       |          |       |          |       |      |       |          |       |          |       |      |       |      |       |     |       |     |       |     |       |     |       |     |       |     |       |     |       |     |       |     |       |     |      |     |      |
| 113           | 175        | 12.57    | 2.2                    | 130         | 151     |               |            | 10.89      | 2.5                    | 156         | 126     | 9.08     | 2.5  | 99         | 199   | 14.33    | 0.94  | F 37    | 4     | 110        | 179   | 12.87 | 1.05  |          |      | 128        | 154   | 11.08  | 1.16  |          |      | 136        | 145   | 10.42  | 1.20  |          |      | 158        | 125   | 8.97    | 1.32  |          |      | 177        | 111   | 8.01    | 1.43  |          |      | 209        | 95    | 6.81   | 1.39  | 232      | 85   |            |       | 6.11   | 1.49 | 269      | 73   |            |       | 5.27   | 1.60 | 287      | 69   |            |       | 4.95   | 1.64 | 333        | 59   |            |       | 4.26       | 1.75 | 373        | 53   | 3.81   | 1.86  | <b>3kW</b> |      |          |       |        |       | <b>3kW</b> |       |        |       |          |      | 1.2        | 20991 | 1169   | 0.81  | F 157R97 | 4    | 1.2        | 20991 | 1169  | 0.81  |          |      | 1.5        | 17113 | 953    | 0.99  |          |      | 1.7        | 15173 | 845    | 1.12  |          |      | 1.9        | 13719 | 764        | 1.23  |          |      | 2.1    | 12211 | 680        | 1.39 |          |      | 2.5    | 10343 | 576        | 1.64  | 3.2    | 8009  |          |      | 446        | 2.1   | 4.7    | 5405  |          |      | 301        | 3.1   | 5.2    | 4884  |          |      | 272        | 3.5   | 6.1    | 4148  |          |      | 231        | 4.1   | 7.2    | 3520  |          |      | 196        | 4.8   |            |      |          |      |        |       |            |      |            |      |        |       |        |       |            |       |            |      |        |       |        |       |            |       |          |      |        |       |            |       |        |       |          |      |            |       |        |       |          |      |            |       |        |       |          |      |            |       |        |       |          |      |            |       |            |       |          |      |        |       |            |      |            |      |        |       |       |       |            |       |          |      |       |       |            |       |        |       |          |      |            |       |        |       |          |      |            |       |       |       |          |      |            |       |        |       |          |      |            |       |       |       |          |      |            |       |        |      |          |      |            |       |       |      |          |      |            |       |       |      |          |      |            |       |       |      |          |      |            |       |       |      |          |      |            |       |       |      |          |      |            |       |       |      |          |      |            |       |       |      |          |      |            |       |       |      |          |      |            |       |       |      |          |      |            |       |       |      |          |      |            |       |       |      |          |      |            |       |       |      |          |      |            |       |       |      |          |      |            |       |       |      |          |      |            |       |       |      |          |      |            |       |       |      |          |      |            |       |            |      |          |      |            |       |            |      |          |      |            |       |       |       |          |      |            |       |       |       |          |      |            |       |       |      |          |       |            |       |       |       |          |      |            |       |       |      |          |       |            |       |       |      |            |       |            |       |       |       |            |      |            |       |       |      |          |       |            |       |          |       |          |       |            |       |      |       |            |      |            |       |            |      |            |       |      |       |            |       |          |       |            |       |            |       |            |       |          |      |            |       |            |       |          |       |            |       |            |       |          |       |          |       |            |       |      |       |          |       |          |       |      |       |          |       |          |       |      |       |      |       |     |       |     |       |     |       |     |       |     |       |     |       |     |       |     |       |     |       |     |      |     |      |
| 130           | 151        | 10.89    | 2.5                    | 156         | 126     | 9.08          | 2.5        | 99         | 199                    | 14.33       | 0.94    | F 37     | 4    | 110        | 179   | 12.87    | 1.05  |         |       | 128        | 154   | 11.08 | 1.16  |          |      | 136        | 145   | 10.42  | 1.20  |          |      | 158        | 125   | 8.97   | 1.32  |          |      | 177        | 111   | 8.01    | 1.43  |          |      | 209        | 95    | 6.81    | 1.39  |          |      | 232        | 85    | 6.11   | 1.49  | 269      | 73   |            |       | 5.27   | 1.60 | 287      | 69   |            |       | 4.95   | 1.64 | 333      | 59   |            |       | 4.26   | 1.75 | 373        | 53   | 3.81       | 1.86  | <b>3kW</b> |      |            |      |        |       | <b>3kW</b> |      |          |       |        |       | 1.2        | 20991 | 1169   | 0.81  | F 157R97 | 4    | 1.2        | 20991 | 1169   | 0.81  |          |      | 1.5        | 17113 | 953   | 0.99  |          |      | 1.7        | 15173 | 845    | 1.12  |          |      | 1.9        | 13719 | 764    | 1.23  |          |      | 2.1        | 12211 | 680        | 1.39  |          |      | 2.5    | 10343 | 576        | 1.64 |          |      | 3.2    | 8009  | 446        | 2.1   | 4.7    | 5405  |          |      | 301        | 3.1   | 5.2    | 4884  |          |      | 272        | 3.5   | 6.1    | 4148  |          |      | 231        | 4.1   | 7.2    | 3520  |          |      | 196        | 4.8   |        |       |          |      |            |       |            |      |          |      |        |       |            |      |            |      |        |       |        |       |            |       |            |      |        |       |        |       |            |       |          |      |        |       |            |       |        |       |          |      |            |       |        |       |          |      |            |       |        |       |          |      |            |       |        |       |          |      |            |       |            |       |          |      |        |       |            |      |            |      |        |       |       |       |            |       |          |      |       |       |            |       |        |       |          |      |            |       |        |       |          |      |            |       |       |       |          |      |            |       |        |       |          |      |            |       |       |       |          |      |            |       |        |      |          |      |            |       |       |      |          |      |            |       |       |      |          |      |            |       |       |      |          |      |            |       |       |      |          |      |            |       |       |      |          |      |            |       |       |      |          |      |            |       |       |      |          |      |            |       |       |      |          |      |            |       |       |      |          |      |            |       |       |      |          |      |            |       |       |      |          |      |            |       |       |      |          |      |            |       |       |      |          |      |            |       |       |      |          |      |            |       |       |      |          |      |            |       |       |      |          |      |            |       |            |      |          |      |            |       |            |      |          |      |            |       |       |       |          |      |            |       |       |       |          |      |            |       |       |      |          |       |            |       |       |       |          |      |            |       |       |      |          |       |            |       |       |      |            |       |            |       |       |       |            |      |            |       |       |      |          |       |            |       |          |       |          |       |            |       |      |       |            |      |            |       |            |      |            |       |      |       |            |       |          |       |            |       |            |       |            |       |          |      |            |       |            |       |          |       |            |       |            |       |          |       |          |       |            |       |      |       |          |       |          |       |      |       |          |       |          |       |      |       |      |       |     |       |     |       |     |       |     |       |     |       |     |       |     |       |     |       |     |       |     |      |     |      |
| 156           | 126        | 9.08     | 2.5                    | 99          | 199     | 14.33         | 0.94       | F 37       | 4                      | 110         | 179     |          |      | 12.87      | 1.05  | 128      | 154   |         |       | 11.08      | 1.16  | 136   | 145   |          |      | 10.42      | 1.20  | 158    | 125   |          |      | 8.97       | 1.32  | 177    | 111   |          |      | 8.01       | 1.43  | 209     | 95    |          |      | 6.81       | 1.39  | 232     | 85    |          |      | 6.11       | 1.49  | 269    | 73    | 5.27     | 1.60 |            |       | 287    | 69   | 4.95     | 1.64 |            |       | 333    | 59   | 4.26     | 1.75 | 373        | 53    | 3.81   | 1.86 | <b>3kW</b> |      |            |       |            |      | <b>3kW</b> |      |        |       |            |      | 1.2      | 20991 | 1169   | 0.81  | F 157R97   | 4     | 1.2    | 20991 |          |      | 1169       | 0.81  | 1.5    | 17113 |          |      | 953        | 0.99  | 1.7   | 15173 |          |      | 845        | 1.12  | 1.9    | 13719 |          |      | 764        | 1.23  | 2.1    | 12211 |          |      | 680        | 1.39  | 2.5        | 10343 |          |      | 576    | 1.64  | 3.2        | 8009 |          |      | 446    | 2.1   | 4.7        | 5405  | 301    | 3.1   |          |      | 5.2        | 4884  | 272    | 3.5   |          |      | 6.1        | 4148  | 231    | 4.1   |          |      | 7.2        | 3520  | 196    | 4.8   |          |      |            |       |        |       |          |      |            |       |            |      |          |      |        |       |            |      |            |      |        |       |        |       |            |       |            |      |        |       |        |       |            |       |          |      |        |       |            |       |        |       |          |      |            |       |        |       |          |      |            |       |        |       |          |      |            |       |        |       |          |      |            |       |            |       |          |      |        |       |            |      |            |      |        |       |       |       |            |       |          |      |       |       |            |       |        |       |          |      |            |       |        |       |          |      |            |       |       |       |          |      |            |       |        |       |          |      |            |       |       |       |          |      |            |       |        |      |          |      |            |       |       |      |          |      |            |       |       |      |          |      |            |       |       |      |          |      |            |       |       |      |          |      |            |       |       |      |          |      |            |       |       |      |          |      |            |       |       |      |          |      |            |       |       |      |          |      |            |       |       |      |          |      |            |       |       |      |          |      |            |       |       |      |          |      |            |       |       |      |          |      |            |       |       |      |          |      |            |       |       |      |          |      |            |       |       |      |          |      |            |       |       |      |          |      |            |       |            |      |          |      |            |       |            |      |          |      |            |       |       |       |          |      |            |       |       |       |          |      |            |       |       |      |          |       |            |       |       |       |          |      |            |       |       |      |          |       |            |       |       |      |            |       |            |       |       |       |            |      |            |       |       |      |          |       |            |       |          |       |          |       |            |       |      |       |            |      |            |       |            |      |            |       |      |       |            |       |          |       |            |       |            |       |            |       |          |      |            |       |            |       |          |       |            |       |            |       |          |       |          |       |            |       |      |       |          |       |          |       |      |       |          |       |          |       |      |       |      |       |     |       |     |       |     |       |     |       |     |       |     |       |     |       |     |       |     |       |     |      |     |      |
| 99            | 199        | 14.33    | 0.94                   | F 37        | 4       | 110           | 179        |            |                        | 12.87       | 1.05    |          |      | 128        | 154   | 11.08    | 1.16  |         |       | 136        | 145   | 10.42 | 1.20  |          |      | 158        | 125   | 8.97   | 1.32  |          |      | 177        | 111   | 8.01   | 1.43  |          |      | 209        | 95    | 6.81    | 1.39  |          |      | 232        | 85    | 6.11    | 1.49  |          |      | 269        | 73    | 5.27   | 1.60  | 287      | 69   |            |       | 4.95   | 1.64 | 333      | 59   | 4.26       | 1.75  | 373    | 53   | 3.81     | 1.86 | <b>3kW</b> |       |        |      |            |      | <b>3kW</b> |       |            |      |            |      | 1.2    | 20991 | 1169       | 0.81 | F 157R97 | 4     | 1.2    | 20991 |            |       | 1169   | 0.81  |          |      | 1.5        | 17113 | 953    | 0.99  |          |      | 1.7        | 15173 | 845   | 1.12  |          |      | 1.9        | 13719 | 764    | 1.23  |          |      | 2.1        | 12211 | 680    | 1.39  |          |      | 2.5        | 10343 | 576        | 1.64  |          |      | 3.2    | 8009  | 446        | 2.1  |          |      | 4.7    | 5405  | 301        | 3.1   | 5.2    | 4884  |          |      | 272        | 3.5   | 6.1    | 4148  |          |      | 231        | 4.1   | 7.2    | 3520  |          |      | 196        | 4.8   |        |       |          |      |            |       |        |       |          |      |            |       |            |      |          |      |        |       |            |      |            |      |        |       |        |       |            |       |            |      |        |       |        |       |            |       |          |      |        |       |            |       |        |       |          |      |            |       |        |       |          |      |            |       |        |       |          |      |            |       |        |       |          |      |            |       |            |       |          |      |        |       |            |      |            |      |        |       |       |       |            |       |          |      |       |       |            |       |        |       |          |      |            |       |        |       |          |      |            |       |       |       |          |      |            |       |        |       |          |      |            |       |       |       |          |      |            |       |        |      |          |      |            |       |       |      |          |      |            |       |       |      |          |      |            |       |       |      |          |      |            |       |       |      |          |      |            |       |       |      |          |      |            |       |       |      |          |      |            |       |       |      |          |      |            |       |       |      |          |      |            |       |       |      |          |      |            |       |       |      |          |      |            |       |       |      |          |      |            |       |       |      |          |      |            |       |       |      |          |      |            |       |       |      |          |      |            |       |       |      |          |      |            |       |       |      |          |      |            |       |            |      |          |      |            |       |            |      |          |      |            |       |       |       |          |      |            |       |       |       |          |      |            |       |       |      |          |       |            |       |       |       |          |      |            |       |       |      |          |       |            |       |       |      |            |       |            |       |       |       |            |      |            |       |       |      |          |       |            |       |          |       |          |       |            |       |      |       |            |      |            |       |            |      |            |       |      |       |            |       |          |       |            |       |            |       |            |       |          |      |            |       |            |       |          |       |            |       |            |       |          |       |          |       |            |       |      |       |          |       |          |       |      |       |          |       |          |       |      |       |      |       |     |       |     |       |     |       |     |       |     |       |     |       |     |       |     |       |     |       |     |      |     |      |
| 110           | 179        | 12.87    | 1.05                   |             |         | 128           | 154        |            |                        | 11.08       | 1.16    |          |      | 136        | 145   | 10.42    | 1.20  |         |       | 158        | 125   | 8.97  | 1.32  |          |      | 177        | 111   | 8.01   | 1.43  |          |      | 209        | 95    | 6.81   | 1.39  |          |      | 232        | 85    | 6.11    | 1.49  |          |      | 269        | 73    | 5.27    | 1.60  |          |      | 287        | 69    | 4.95   | 1.64  | 333      | 59   | 4.26       | 1.75  | 373    | 53   | 3.81     | 1.86 | <b>3kW</b> |       |        |      |          |      | <b>3kW</b> |       |        |      |            |      | 1.2        | 20991 | 1169       | 0.81 | F 157R97   | 4    | 1.2    | 20991 | 1169       | 0.81 |          |       | 1.5    | 17113 |            |       | 953    | 0.99  |          |      | 1.7        | 15173 | 845    | 1.12  |          |      | 1.9        | 13719 | 764   | 1.23  |          |      | 2.1        | 12211 | 680    | 1.39  |          |      | 2.5        | 10343 | 576    | 1.64  |          |      | 3.2        | 8009  | 446        | 2.1   |          |      | 4.7    | 5405  | 301        | 3.1  |          |      | 5.2    | 4884  | 272        | 3.5   | 6.1    | 4148  |          |      | 231        | 4.1   | 7.2    | 3520  |          |      | 196        | 4.8   |        |       |          |      |            |       |        |       |          |      |            |       |        |       |          |      |            |       |            |      |          |      |        |       |            |      |            |      |        |       |        |       |            |       |            |      |        |       |        |       |            |       |          |      |        |       |            |       |        |       |          |      |            |       |        |       |          |      |            |       |        |       |          |      |            |       |        |       |          |      |            |       |            |       |          |      |        |       |            |      |            |      |        |       |       |       |            |       |          |      |       |       |            |       |        |       |          |      |            |       |        |       |          |      |            |       |       |       |          |      |            |       |        |       |          |      |            |       |       |       |          |      |            |       |        |      |          |      |            |       |       |      |          |      |            |       |       |      |          |      |            |       |       |      |          |      |            |       |       |      |          |      |            |       |       |      |          |      |            |       |       |      |          |      |            |       |       |      |          |      |            |       |       |      |          |      |            |       |       |      |          |      |            |       |       |      |          |      |            |       |       |      |          |      |            |       |       |      |          |      |            |       |       |      |          |      |            |       |       |      |          |      |            |       |       |      |          |      |            |       |       |      |          |      |            |       |            |      |          |      |            |       |            |      |          |      |            |       |       |       |          |      |            |       |       |       |          |      |            |       |       |      |          |       |            |       |       |       |          |      |            |       |       |      |          |       |            |       |       |      |            |       |            |       |       |       |            |      |            |       |       |      |          |       |            |       |          |       |          |       |            |       |      |       |            |      |            |       |            |      |            |       |      |       |            |       |          |       |            |       |            |       |            |       |          |      |            |       |            |       |          |       |            |       |            |       |          |       |          |       |            |       |      |       |          |       |          |       |      |       |          |       |          |       |      |       |      |       |     |       |     |       |     |       |     |       |     |       |     |       |     |       |     |       |     |       |     |      |     |      |
| 128           | 154        | 11.08    | 1.16                   |             |         | 136           | 145        |            |                        | 10.42       | 1.20    |          |      | 158        | 125   | 8.97     | 1.32  |         |       | 177        | 111   | 8.01  | 1.43  |          |      | 209        | 95    | 6.81   | 1.39  |          |      | 232        | 85    | 6.11   | 1.49  |          |      | 269        | 73    | 5.27    | 1.60  |          |      | 287        | 69    | 4.95    | 1.64  | 333      | 59   | 4.26       | 1.75  | 373    | 53    | 3.81     | 1.86 | <b>3kW</b> |       |        |      |          |      | <b>3kW</b> |       |        |      |          |      | 1.2        | 20991 | 1169   | 0.81 | F 157R97   | 4    | 1.2        | 20991 | 1169       | 0.81 |            |      | 1.5    | 17113 | 953        | 0.99 |          |       | 1.7    | 15173 |            |       | 845    | 1.12  |          |      | 1.9        | 13719 | 764    | 1.23  |          |      | 2.1        | 12211 | 680   | 1.39  |          |      | 2.5        | 10343 | 576    | 1.64  |          |      | 3.2        | 8009  | 446    | 2.1   |          |      | 4.7        | 5405  | 301        | 3.1   |          |      | 5.2    | 4884  | 272        | 3.5  |          |      | 6.1    | 4148  | 231        | 4.1   | 7.2    | 3520  |          |      | 196        | 4.8   |        |       |          |      |            |       |        |       |          |      |            |       |        |       |          |      |            |       |        |       |          |      |            |       |            |      |          |      |        |       |            |      |            |      |        |       |        |       |            |       |            |      |        |       |        |       |            |       |          |      |        |       |            |       |        |       |          |      |            |       |        |       |          |      |            |       |        |       |          |      |            |       |        |       |          |      |            |       |            |       |          |      |        |       |            |      |            |      |        |       |       |       |            |       |          |      |       |       |            |       |        |       |          |      |            |       |        |       |          |      |            |       |       |       |          |      |            |       |        |       |          |      |            |       |       |       |          |      |            |       |        |      |          |      |            |       |       |      |          |      |            |       |       |      |          |      |            |       |       |      |          |      |            |       |       |      |          |      |            |       |       |      |          |      |            |       |       |      |          |      |            |       |       |      |          |      |            |       |       |      |          |      |            |       |       |      |          |      |            |       |       |      |          |      |            |       |       |      |          |      |            |       |       |      |          |      |            |       |       |      |          |      |            |       |       |      |          |      |            |       |       |      |          |      |            |       |       |      |          |      |            |       |            |      |          |      |            |       |            |      |          |      |            |       |       |       |          |      |            |       |       |       |          |      |            |       |       |      |          |       |            |       |       |       |          |      |            |       |       |      |          |       |            |       |       |      |            |       |            |       |       |       |            |      |            |       |       |      |          |       |            |       |          |       |          |       |            |       |      |       |            |      |            |       |            |      |            |       |      |       |            |       |          |       |            |       |            |       |            |       |          |      |            |       |            |       |          |       |            |       |            |       |          |       |          |       |            |       |      |       |          |       |          |       |      |       |          |       |          |       |      |       |      |       |     |       |     |       |     |       |     |       |     |       |     |       |     |       |     |       |     |       |     |      |     |      |
| 136           | 145        | 10.42    | 1.20                   |             |         | 158           | 125        |            |                        | 8.97        | 1.32    |          |      | 177        | 111   | 8.01     | 1.43  |         |       | 209        | 95    | 6.81  | 1.39  |          |      | 232        | 85    | 6.11   | 1.49  |          |      | 269        | 73    | 5.27   | 1.60  |          |      | 287        | 69    | 4.95    | 1.64  | 333      | 59   | 4.26       | 1.75  | 373     | 53    | 3.81     | 1.86 | <b>3kW</b> |       |        |       |          |      | <b>3kW</b> |       |        |      |          |      | 1.2        | 20991 | 1169   | 0.81 | F 157R97 | 4    | 1.2        | 20991 | 1169   | 0.81 |            |      | 1.5        | 17113 | 953        | 0.99 |            |      | 1.7    | 15173 | 845        | 1.12 |          |       | 1.9    | 13719 |            |       | 764    | 1.23  |          |      | 2.1        | 12211 | 680    | 1.39  |          |      | 2.5        | 10343 | 576   | 1.64  |          |      | 3.2        | 8009  | 446    | 2.1   |          |      | 4.7        | 5405  | 301    | 3.1   |          |      | 5.2        | 4884  | 272        | 3.5   |          |      | 6.1    | 4148  | 231        | 4.1  |          |      | 7.2    | 3520  | 196        | 4.8   |        |       |          |      |            |       |        |       |          |      |            |       |        |       |          |      |            |       |        |       |          |      |            |       |        |       |          |      |            |       |            |      |          |      |        |       |            |      |            |      |        |       |        |       |            |       |            |      |        |       |        |       |            |       |          |      |        |       |            |       |        |       |          |      |            |       |        |       |          |      |            |       |        |       |          |      |            |       |        |       |          |      |            |       |            |       |          |      |        |       |            |      |            |      |        |       |       |       |            |       |          |      |       |       |            |       |        |       |          |      |            |       |        |       |          |      |            |       |       |       |          |      |            |       |        |       |          |      |            |       |       |       |          |      |            |       |        |      |          |      |            |       |       |      |          |      |            |       |       |      |          |      |            |       |       |      |          |      |            |       |       |      |          |      |            |       |       |      |          |      |            |       |       |      |          |      |            |       |       |      |          |      |            |       |       |      |          |      |            |       |       |      |          |      |            |       |       |      |          |      |            |       |       |      |          |      |            |       |       |      |          |      |            |       |       |      |          |      |            |       |       |      |          |      |            |       |       |      |          |      |            |       |       |      |          |      |            |       |            |      |          |      |            |       |            |      |          |      |            |       |       |       |          |      |            |       |       |       |          |      |            |       |       |      |          |       |            |       |       |       |          |      |            |       |       |      |          |       |            |       |       |      |            |       |            |       |       |       |            |      |            |       |       |      |          |       |            |       |          |       |          |       |            |       |      |       |            |      |            |       |            |      |            |       |      |       |            |       |          |       |            |       |            |       |            |       |          |      |            |       |            |       |          |       |            |       |            |       |          |       |          |       |            |       |      |       |          |       |          |       |      |       |          |       |          |       |      |       |      |       |     |       |     |       |     |       |     |       |     |       |     |       |     |       |     |       |     |       |     |      |     |      |
| 158           | 125        | 8.97     | 1.32                   |             |         | 177           | 111        |            |                        | 8.01        | 1.43    |          |      | 209        | 95    | 6.81     | 1.39  |         |       | 232        | 85    | 6.11  | 1.49  |          |      | 269        | 73    | 5.27   | 1.60  |          |      | 287        | 69    | 4.95   | 1.64  | 333      | 59   | 4.26       | 1.75  | 373     | 53    | 3.81     | 1.86 | <b>3kW</b> |       |         |       |          |      | <b>3kW</b> |       |        |       |          |      | 1.2        | 20991 | 1169   | 0.81 | F 157R97 | 4    | 1.2        | 20991 | 1169   | 0.81 |          |      | 1.5        | 17113 | 953    | 0.99 |            |      | 1.7        | 15173 | 845        | 1.12 |            |      | 1.9    | 13719 | 764        | 1.23 |          |       | 2.1    | 12211 |            |       | 680    | 1.39  |          |      | 2.5        | 10343 | 576    | 1.64  |          |      | 3.2        | 8009  | 446   | 2.1   |          |      | 4.7        | 5405  | 301    | 3.1   |          |      | 5.2        | 4884  | 272    | 3.5   |          |      | 6.1        | 4148  | 231        | 4.1   |          |      | 7.2    | 3520  | 196        | 4.8  |          |      |        |       |            |       |        |       |          |      |            |       |        |       |          |      |            |       |        |       |          |      |            |       |        |       |          |      |            |       |        |       |          |      |            |       |            |      |          |      |        |       |            |      |            |      |        |       |        |       |            |       |            |      |        |       |        |       |            |       |          |      |        |       |            |       |        |       |          |      |            |       |        |       |          |      |            |       |        |       |          |      |            |       |        |       |          |      |            |       |            |       |          |      |        |       |            |      |            |      |        |       |       |       |            |       |          |      |       |       |            |       |        |       |          |      |            |       |        |       |          |      |            |       |       |       |          |      |            |       |        |       |          |      |            |       |       |       |          |      |            |       |        |      |          |      |            |       |       |      |          |      |            |       |       |      |          |      |            |       |       |      |          |      |            |       |       |      |          |      |            |       |       |      |          |      |            |       |       |      |          |      |            |       |       |      |          |      |            |       |       |      |          |      |            |       |       |      |          |      |            |       |       |      |          |      |            |       |       |      |          |      |            |       |       |      |          |      |            |       |       |      |          |      |            |       |       |      |          |      |            |       |       |      |          |      |            |       |       |      |          |      |            |       |            |      |          |      |            |       |            |      |          |      |            |       |       |       |          |      |            |       |       |       |          |      |            |       |       |      |          |       |            |       |       |       |          |      |            |       |       |      |          |       |            |       |       |      |            |       |            |       |       |       |            |      |            |       |       |      |          |       |            |       |          |       |          |       |            |       |      |       |            |      |            |       |            |      |            |       |      |       |            |       |          |       |            |       |            |       |            |       |          |      |            |       |            |       |          |       |            |       |            |       |          |       |          |       |            |       |      |       |          |       |          |       |      |       |          |       |          |       |      |       |      |       |     |       |     |       |     |       |     |       |     |       |     |       |     |       |     |       |     |       |     |      |     |      |
| 177           | 111        | 8.01     | 1.43                   |             |         | 209           | 95         |            |                        | 6.81        | 1.39    |          |      | 232        | 85    | 6.11     | 1.49  |         |       | 269        | 73    | 5.27  | 1.60  |          |      | 287        | 69    | 4.95   | 1.64  | 333      | 59   | 4.26       | 1.75  | 373    | 53    | 3.81     | 1.86 | <b>3kW</b> |       |         |       |          |      | <b>3kW</b> |       |         |       |          |      | 1.2        | 20991 | 1169   | 0.81  | F 157R97 | 4    | 1.2        | 20991 | 1169   | 0.81 |          |      | 1.5        | 17113 | 953    | 0.99 |          |      | 1.7        | 15173 | 845    | 1.12 |            |      | 1.9        | 13719 | 764        | 1.23 |            |      | 2.1    | 12211 | 680        | 1.39 |          |       | 2.5    | 10343 |            |       | 576    | 1.64  |          |      | 3.2        | 8009  | 446    | 2.1   |          |      | 4.7        | 5405  | 301   | 3.1   |          |      | 5.2        | 4884  | 272    | 3.5   |          |      | 6.1        | 4148  | 231    | 4.1   |          |      | 7.2        | 3520  | 196        | 4.8   |          |      |        |       |            |      |          |      |        |       |            |       |        |       |          |      |            |       |        |       |          |      |            |       |        |       |          |      |            |       |        |       |          |      |            |       |        |       |          |      |            |       |            |      |          |      |        |       |            |      |            |      |        |       |        |       |            |       |            |      |        |       |        |       |            |       |          |      |        |       |            |       |        |       |          |      |            |       |        |       |          |      |            |       |        |       |          |      |            |       |        |       |          |      |            |       |            |       |          |      |        |       |            |      |            |      |        |       |       |       |            |       |          |      |       |       |            |       |        |       |          |      |            |       |        |       |          |      |            |       |       |       |          |      |            |       |        |       |          |      |            |       |       |       |          |      |            |       |        |      |          |      |            |       |       |      |          |      |            |       |       |      |          |      |            |       |       |      |          |      |            |       |       |      |          |      |            |       |       |      |          |      |            |       |       |      |          |      |            |       |       |      |          |      |            |       |       |      |          |      |            |       |       |      |          |      |            |       |       |      |          |      |            |       |       |      |          |      |            |       |       |      |          |      |            |       |       |      |          |      |            |       |       |      |          |      |            |       |       |      |          |      |            |       |       |      |          |      |            |       |            |      |          |      |            |       |            |      |          |      |            |       |       |       |          |      |            |       |       |       |          |      |            |       |       |      |          |       |            |       |       |       |          |      |            |       |       |      |          |       |            |       |       |      |            |       |            |       |       |       |            |      |            |       |       |      |          |       |            |       |          |       |          |       |            |       |      |       |            |      |            |       |            |      |            |       |      |       |            |       |          |       |            |       |            |       |            |       |          |      |            |       |            |       |          |       |            |       |            |       |          |       |          |       |            |       |      |       |          |       |          |       |      |       |          |       |          |       |      |       |      |       |     |       |     |       |     |       |     |       |     |       |     |       |     |       |     |       |     |       |     |      |     |      |
| 209           | 95         | 6.81     | 1.39                   |             |         | 232           | 85         |            |                        | 6.11        | 1.49    |          |      | 269        | 73    | 5.27     | 1.60  |         |       | 287        | 69    | 4.95  | 1.64  | 333      | 59   | 4.26       | 1.75  | 373    | 53    | 3.81     | 1.86 | <b>3kW</b> |       |        |       |          |      | <b>3kW</b> |       |         |       |          |      | 1.2        | 20991 | 1169    | 0.81  | F 157R97 | 4    | 1.2        | 20991 | 1169   | 0.81  |          |      | 1.5        | 17113 | 953    | 0.99 |          |      | 1.7        | 15173 | 845    | 1.12 |          |      | 1.9        | 13719 | 764    | 1.23 |            |      | 2.1        | 12211 | 680        | 1.39 |            |      | 2.5    | 10343 | 576        | 1.64 |          |       | 3.2    | 8009  |            |       | 446    | 2.1   |          |      | 4.7        | 5405  | 301    | 3.1   |          |      | 5.2        | 4884  | 272   | 3.5   |          |      | 6.1        | 4148  | 231    | 4.1   |          |      | 7.2        | 3520  | 196    | 4.8   |          |      |            |       |            |       |          |      |        |       |            |      |          |      |        |       |            |       |        |       |          |      |            |       |        |       |          |      |            |       |        |       |          |      |            |       |        |       |          |      |            |       |        |       |          |      |            |       |            |      |          |      |        |       |            |      |            |      |        |       |        |       |            |       |            |      |        |       |        |       |            |       |          |      |        |       |            |       |        |       |          |      |            |       |        |       |          |      |            |       |        |       |          |      |            |       |        |       |          |      |            |       |            |       |          |      |        |       |            |      |            |      |        |       |       |       |            |       |          |      |       |       |            |       |        |       |          |      |            |       |        |       |          |      |            |       |       |       |          |      |            |       |        |       |          |      |            |       |       |       |          |      |            |       |        |      |          |      |            |       |       |      |          |      |            |       |       |      |          |      |            |       |       |      |          |      |            |       |       |      |          |      |            |       |       |      |          |      |            |       |       |      |          |      |            |       |       |      |          |      |            |       |       |      |          |      |            |       |       |      |          |      |            |       |       |      |          |      |            |       |       |      |          |      |            |       |       |      |          |      |            |       |       |      |          |      |            |       |       |      |          |      |            |       |       |      |          |      |            |       |       |      |          |      |            |       |            |      |          |      |            |       |            |      |          |      |            |       |       |       |          |      |            |       |       |       |          |      |            |       |       |      |          |       |            |       |       |       |          |      |            |       |       |      |          |       |            |       |       |      |            |       |            |       |       |       |            |      |            |       |       |      |          |       |            |       |          |       |          |       |            |       |      |       |            |      |            |       |            |      |            |       |      |       |            |       |          |       |            |       |            |       |            |       |          |      |            |       |            |       |          |       |            |       |            |       |          |       |          |       |            |       |      |       |          |       |          |       |      |       |          |       |          |       |      |       |      |       |     |       |     |       |     |       |     |       |     |       |     |       |     |       |     |       |     |       |     |      |     |      |
| 232           | 85         | 6.11     | 1.49                   |             |         | 269           | 73         |            |                        | 5.27        | 1.60    |          |      | 287        | 69    | 4.95     | 1.64  | 333     | 59    | 4.26       | 1.75  | 373   | 53    | 3.81     | 1.86 | <b>3kW</b> |       |        |       |          |      | <b>3kW</b> |       |        |       |          |      | 1.2        | 20991 | 1169    | 0.81  | F 157R97 | 4    | 1.2        | 20991 | 1169    | 0.81  |          |      | 1.5        | 17113 | 953    | 0.99  |          |      | 1.7        | 15173 | 845    | 1.12 |          |      | 1.9        | 13719 | 764    | 1.23 |          |      | 2.1        | 12211 | 680    | 1.39 |            |      | 2.5        | 10343 | 576        | 1.64 |            |      | 3.2    | 8009  | 446        | 2.1  |          |       | 4.7    | 5405  |            |       | 301    | 3.1   |          |      | 5.2        | 4884  | 272    | 3.5   |          |      | 6.1        | 4148  | 231   | 4.1   |          |      | 7.2        | 3520  | 196    | 4.8   |          |      |            |       |        |       |          |      |            |       |            |       |          |      |        |       |            |      |          |      |        |       |            |       |        |       |          |      |            |       |        |       |          |      |            |       |        |       |          |      |            |       |        |       |          |      |            |       |        |       |          |      |            |       |            |      |          |      |        |       |            |      |            |      |        |       |        |       |            |       |            |      |        |       |        |       |            |       |          |      |        |       |            |       |        |       |          |      |            |       |        |       |          |      |            |       |        |       |          |      |            |       |        |       |          |      |            |       |            |       |          |      |        |       |            |      |            |      |        |       |       |       |            |       |          |      |       |       |            |       |        |       |          |      |            |       |        |       |          |      |            |       |       |       |          |      |            |       |        |       |          |      |            |       |       |       |          |      |            |       |        |      |          |      |            |       |       |      |          |      |            |       |       |      |          |      |            |       |       |      |          |      |            |       |       |      |          |      |            |       |       |      |          |      |            |       |       |      |          |      |            |       |       |      |          |      |            |       |       |      |          |      |            |       |       |      |          |      |            |       |       |      |          |      |            |       |       |      |          |      |            |       |       |      |          |      |            |       |       |      |          |      |            |       |       |      |          |      |            |       |       |      |          |      |            |       |       |      |          |      |            |       |            |      |          |      |            |       |            |      |          |      |            |       |       |       |          |      |            |       |       |       |          |      |            |       |       |      |          |       |            |       |       |       |          |      |            |       |       |      |          |       |            |       |       |      |            |       |            |       |       |       |            |      |            |       |       |      |          |       |            |       |          |       |          |       |            |       |      |       |            |      |            |       |            |      |            |       |      |       |            |       |          |       |            |       |            |       |            |       |          |      |            |       |            |       |          |       |            |       |            |       |          |       |          |       |            |       |      |       |          |       |          |       |      |       |          |       |          |       |      |       |      |       |     |       |     |       |     |       |     |       |     |       |     |       |     |       |     |       |     |       |     |      |     |      |
| 269           | 73         | 5.27     | 1.60                   |             |         | 287           | 69         |            |                        | 4.95        | 1.64    | 333      | 59   | 4.26       | 1.75  | 373      | 53    | 3.81    | 1.86  | <b>3kW</b> |       |       |       |          |      | <b>3kW</b> |       |        |       |          |      | 1.2        | 20991 | 1169   | 0.81  | F 157R97 | 4    | 1.2        | 20991 | 1169    | 0.81  |          |      | 1.5        | 17113 | 953     | 0.99  |          |      | 1.7        | 15173 | 845    | 1.12  |          |      | 1.9        | 13719 | 764    | 1.23 |          |      | 2.1        | 12211 | 680    | 1.39 |          |      | 2.5        | 10343 | 576    | 1.64 |            |      | 3.2        | 8009  | 446        | 2.1  |            |      | 4.7    | 5405  | 301        | 3.1  |          |       | 5.2    | 4884  |            |       | 272    | 3.5   |          |      | 6.1        | 4148  | 231    | 4.1   |          |      | 7.2        | 3520  | 196   | 4.8   |          |      |            |       |        |       |          |      |            |       |        |       |          |      |            |       |            |       |          |      |        |       |            |      |          |      |        |       |            |       |        |       |          |      |            |       |        |       |          |      |            |       |        |       |          |      |            |       |        |       |          |      |            |       |        |       |          |      |            |       |            |      |          |      |        |       |            |      |            |      |        |       |        |       |            |       |            |      |        |       |        |       |            |       |          |      |        |       |            |       |        |       |          |      |            |       |        |       |          |      |            |       |        |       |          |      |            |       |        |       |          |      |            |       |            |       |          |      |        |       |            |      |            |      |        |       |       |       |            |       |          |      |       |       |            |       |        |       |          |      |            |       |        |       |          |      |            |       |       |       |          |      |            |       |        |       |          |      |            |       |       |       |          |      |            |       |        |      |          |      |            |       |       |      |          |      |            |       |       |      |          |      |            |       |       |      |          |      |            |       |       |      |          |      |            |       |       |      |          |      |            |       |       |      |          |      |            |       |       |      |          |      |            |       |       |      |          |      |            |       |       |      |          |      |            |       |       |      |          |      |            |       |       |      |          |      |            |       |       |      |          |      |            |       |       |      |          |      |            |       |       |      |          |      |            |       |       |      |          |      |            |       |       |      |          |      |            |       |            |      |          |      |            |       |            |      |          |      |            |       |       |       |          |      |            |       |       |       |          |      |            |       |       |      |          |       |            |       |       |       |          |      |            |       |       |      |          |       |            |       |       |      |            |       |            |       |       |       |            |      |            |       |       |      |          |       |            |       |          |       |          |       |            |       |      |       |            |      |            |       |            |      |            |       |      |       |            |       |          |       |            |       |            |       |            |       |          |      |            |       |            |       |          |       |            |       |            |       |          |       |          |       |            |       |      |       |          |       |          |       |      |       |          |       |          |       |      |       |      |       |     |       |     |       |     |       |     |       |     |       |     |       |     |       |     |       |     |       |     |      |     |      |
| 287           | 69         | 4.95     | 1.64                   |             |         | 333           | 59         | 4.26       | 1.75                   | 373         | 53      | 3.81     | 1.86 | <b>3kW</b> |       |          |       |         |       | <b>3kW</b> |       |       |       |          |      | 1.2        | 20991 | 1169   | 0.81  | F 157R97 | 4    | 1.2        | 20991 | 1169   | 0.81  |          |      | 1.5        | 17113 | 953     | 0.99  |          |      | 1.7        | 15173 | 845     | 1.12  |          |      | 1.9        | 13719 | 764    | 1.23  |          |      | 2.1        | 12211 | 680    | 1.39 |          |      | 2.5        | 10343 | 576    | 1.64 |          |      | 3.2        | 8009  | 446    | 2.1  |            |      | 4.7        | 5405  | 301        | 3.1  |            |      | 5.2    | 4884  | 272        | 3.5  |          |       | 6.1    | 4148  |            |       | 231    | 4.1   |          |      | 7.2        | 3520  | 196    | 4.8   |          |      |            |       |       |       |          |      |            |       |        |       |          |      |            |       |        |       |          |      |            |       |            |       |          |      |        |       |            |      |          |      |        |       |            |       |        |       |          |      |            |       |        |       |          |      |            |       |        |       |          |      |            |       |        |       |          |      |            |       |        |       |          |      |            |       |            |      |          |      |        |       |            |      |            |      |        |       |        |       |            |       |            |      |        |       |        |       |            |       |          |      |        |       |            |       |        |       |          |      |            |       |        |       |          |      |            |       |        |       |          |      |            |       |        |       |          |      |            |       |            |       |          |      |        |       |            |      |            |      |        |       |       |       |            |       |          |      |       |       |            |       |        |       |          |      |            |       |        |       |          |      |            |       |       |       |          |      |            |       |        |       |          |      |            |       |       |       |          |      |            |       |        |      |          |      |            |       |       |      |          |      |            |       |       |      |          |      |            |       |       |      |          |      |            |       |       |      |          |      |            |       |       |      |          |      |            |       |       |      |          |      |            |       |       |      |          |      |            |       |       |      |          |      |            |       |       |      |          |      |            |       |       |      |          |      |            |       |       |      |          |      |            |       |       |      |          |      |            |       |       |      |          |      |            |       |       |      |          |      |            |       |       |      |          |      |            |       |       |      |          |      |            |       |            |      |          |      |            |       |            |      |          |      |            |       |       |       |          |      |            |       |       |       |          |      |            |       |       |      |          |       |            |       |       |       |          |      |            |       |       |      |          |       |            |       |       |      |            |       |            |       |       |       |            |      |            |       |       |      |          |       |            |       |          |       |          |       |            |       |      |       |            |      |            |       |            |      |            |       |      |       |            |       |          |       |            |       |            |       |            |       |          |      |            |       |            |       |          |       |            |       |            |       |          |       |          |       |            |       |      |       |          |       |          |       |      |       |          |       |          |       |      |       |      |       |     |       |     |       |     |       |     |       |     |       |     |       |     |       |     |       |     |       |     |      |     |      |
| 333           | 59         | 4.26     | 1.75                   | 373         | 53      | 3.81          | 1.86       | <b>3kW</b> |                        |             |         |          |      | <b>3kW</b> |       |          |       |         |       | 1.2        | 20991 | 1169  | 0.81  | F 157R97 | 4    | 1.2        | 20991 | 1169   | 0.81  |          |      | 1.5        | 17113 | 953    | 0.99  |          |      | 1.7        | 15173 | 845     | 1.12  |          |      | 1.9        | 13719 | 764     | 1.23  |          |      | 2.1        | 12211 | 680    | 1.39  |          |      | 2.5        | 10343 | 576    | 1.64 |          |      | 3.2        | 8009  | 446    | 2.1  |          |      | 4.7        | 5405  | 301    | 3.1  |            |      | 5.2        | 4884  | 272        | 3.5  |            |      | 6.1    | 4148  | 231        | 4.1  |          |       | 7.2    | 3520  |            |       | 196    | 4.8   |          |      |            |       |        |       |          |      |            |       |       |       |          |      |            |       |        |       |          |      |            |       |        |       |          |      |            |       |            |       |          |      |        |       |            |      |          |      |        |       |            |       |        |       |          |      |            |       |        |       |          |      |            |       |        |       |          |      |            |       |        |       |          |      |            |       |        |       |          |      |            |       |            |      |          |      |        |       |            |      |            |      |        |       |        |       |            |       |            |      |        |       |        |       |            |       |          |      |        |       |            |       |        |       |          |      |            |       |        |       |          |      |            |       |        |       |          |      |            |       |        |       |          |      |            |       |            |       |          |      |        |       |            |      |            |      |        |       |       |       |            |       |          |      |       |       |            |       |        |       |          |      |            |       |        |       |          |      |            |       |       |       |          |      |            |       |        |       |          |      |            |       |       |       |          |      |            |       |        |      |          |      |            |       |       |      |          |      |            |       |       |      |          |      |            |       |       |      |          |      |            |       |       |      |          |      |            |       |       |      |          |      |            |       |       |      |          |      |            |       |       |      |          |      |            |       |       |      |          |      |            |       |       |      |          |      |            |       |       |      |          |      |            |       |       |      |          |      |            |       |       |      |          |      |            |       |       |      |          |      |            |       |       |      |          |      |            |       |       |      |          |      |            |       |       |      |          |      |            |       |            |      |          |      |            |       |            |      |          |      |            |       |       |       |          |      |            |       |       |       |          |      |            |       |       |      |          |       |            |       |       |       |          |      |            |       |       |      |          |       |            |       |       |      |            |       |            |       |       |       |            |      |            |       |       |      |          |       |            |       |          |       |          |       |            |       |      |       |            |      |            |       |            |      |            |       |      |       |            |       |          |       |            |       |            |       |            |       |          |      |            |       |            |       |          |       |            |       |            |       |          |       |          |       |            |       |      |       |          |       |          |       |      |       |          |       |          |       |      |       |      |       |     |       |     |       |     |       |     |       |     |       |     |       |     |       |     |       |     |       |     |      |     |      |
| 373           | 53         | 3.81     | 1.86                   | <b>3kW</b>  |         |               |            |            |                        | <b>3kW</b>  |         |          |      |            |       | 1.2      | 20991 | 1169    | 0.81  | F 157R97   | 4     | 1.2   | 20991 |          |      | 1169       | 0.81  | 1.5    | 17113 |          |      | 953        | 0.99  | 1.7    | 15173 |          |      | 845        | 1.12  | 1.9     | 13719 |          |      | 764        | 1.23  | 2.1     | 12211 |          |      | 680        | 1.39  | 2.5    | 10343 |          |      | 576        | 1.64  | 3.2    | 8009 |          |      | 446        | 2.1   | 4.7    | 5405 |          |      | 301        | 3.1   | 5.2    | 4884 |            |      | 272        | 3.5   | 6.1        | 4148 |            |      | 231    | 4.1   | 7.2        | 3520 |          |       | 196    | 4.8   |            |       |        |       |          |      |            |       |        |       |          |      |            |       |       |       |          |      |            |       |        |       |          |      |            |       |        |       |          |      |            |       |            |       |          |      |        |       |            |      |          |      |        |       |            |       |        |       |          |      |            |       |        |       |          |      |            |       |        |       |          |      |            |       |        |       |          |      |            |       |        |       |          |      |            |       |            |      |          |      |        |       |            |      |            |      |        |       |        |       |            |       |            |      |        |       |        |       |            |       |          |      |        |       |            |       |        |       |          |      |            |       |        |       |          |      |            |       |        |       |          |      |            |       |        |       |          |      |            |       |            |       |          |      |        |       |            |      |            |      |        |       |       |       |            |       |          |      |       |       |            |       |        |       |          |      |            |       |        |       |          |      |            |       |       |       |          |      |            |       |        |       |          |      |            |       |       |       |          |      |            |       |        |      |          |      |            |       |       |      |          |      |            |       |       |      |          |      |            |       |       |      |          |      |            |       |       |      |          |      |            |       |       |      |          |      |            |       |       |      |          |      |            |       |       |      |          |      |            |       |       |      |          |      |            |       |       |      |          |      |            |       |       |      |          |      |            |       |       |      |          |      |            |       |       |      |          |      |            |       |       |      |          |      |            |       |       |      |          |      |            |       |       |      |          |      |            |       |       |      |          |      |            |       |            |      |          |      |            |       |            |      |          |      |            |       |       |       |          |      |            |       |       |       |          |      |            |       |       |      |          |       |            |       |       |       |          |      |            |       |       |      |          |       |            |       |       |      |            |       |            |       |       |       |            |      |            |       |       |      |          |       |            |       |          |       |          |       |            |       |      |       |            |      |            |       |            |      |            |       |      |       |            |       |          |       |            |       |            |       |            |       |          |      |            |       |            |       |          |       |            |       |            |       |          |       |          |       |            |       |      |       |          |       |          |       |      |       |          |       |          |       |      |       |      |       |     |       |     |       |     |       |     |       |     |       |     |       |     |       |     |       |     |       |     |      |     |      |
| <b>3kW</b>    |            |          |                        |             |         | <b>3kW</b>    |            |            |                        |             |         |          |      |            |       |          |       |         |       |            |       |       |       |          |      |            |       |        |       |          |      |            |       |        |       |          |      |            |       |         |       |          |      |            |       |         |       |          |      |            |       |        |       |          |      |            |       |        |      |          |      |            |       |        |      |          |      |            |       |        |      |            |      |            |       |            |      |            |      |        |       |            |      |          |       |        |       |            |       |        |       |          |      |            |       |        |       |          |      |            |       |       |       |          |      |            |       |        |       |          |      |            |       |        |       |          |      |            |       |            |       |          |      |        |       |            |      |          |      |        |       |            |       |        |       |          |      |            |       |        |       |          |      |            |       |        |       |          |      |            |       |        |       |          |      |            |       |        |       |          |      |            |       |            |      |          |      |        |       |            |      |            |      |        |       |        |       |            |       |            |      |        |       |        |       |            |       |          |      |        |       |            |       |        |       |          |      |            |       |        |       |          |      |            |       |        |       |          |      |            |       |        |       |          |      |            |       |            |       |          |      |        |       |            |      |            |      |        |       |       |       |            |       |          |      |       |       |            |       |        |       |          |      |            |       |        |       |          |      |            |       |       |       |          |      |            |       |        |       |          |      |            |       |       |       |          |      |            |       |        |      |          |      |            |       |       |      |          |      |            |       |       |      |          |      |            |       |       |      |          |      |            |       |       |      |          |      |            |       |       |      |          |      |            |       |       |      |          |      |            |       |       |      |          |      |            |       |       |      |          |      |            |       |       |      |          |      |            |       |       |      |          |      |            |       |       |      |          |      |            |       |       |      |          |      |            |       |       |      |          |      |            |       |       |      |          |      |            |       |       |      |          |      |            |       |       |      |          |      |            |       |            |      |          |      |            |       |            |      |          |      |            |       |       |       |          |      |            |       |       |       |          |      |            |       |       |      |          |       |            |       |       |       |          |      |            |       |       |      |          |       |            |       |       |      |            |       |            |       |       |       |            |      |            |       |       |      |          |       |            |       |          |       |          |       |            |       |      |       |            |      |            |       |            |      |            |       |      |       |            |       |          |       |            |       |            |       |            |       |          |      |            |       |            |       |          |       |            |       |            |       |          |       |          |       |            |       |      |       |          |       |          |       |      |       |          |       |          |       |      |       |      |       |     |       |     |       |     |       |     |       |     |       |     |       |     |       |     |       |     |       |     |      |     |      |
| 1.2           | 20991      | 1169     | 0.81                   | F 157R97    | 4       | 1.2           | 20991      | 1169       | 0.81                   | 1.5         | 17113   | 953      | 0.99 | 1.7        | 15173 | 845      | 1.12  | 1.9     | 13719 |            |       | 764   | 1.23  |          |      | 2.1        | 12211 | 680    | 1.39  |          |      | 2.5        | 10343 | 576    | 1.64  |          |      | 3.2        | 8009  | 446     | 2.1   |          |      | 4.7        | 5405  | 301     | 3.1   |          |      | 5.2        | 4884  | 272    | 3.5   |          |      | 6.1        | 4148  | 231    | 4.1  |          |      | 7.2        | 3520  | 196    | 4.8  |          |      |            |       |        |      |            |      |            |       |            |      |            |      |        |       |            |      |          |       |        |       |            |       |        |       |          |      |            |       |        |       |          |      |            |       |       |       |          |      |            |       |        |       |          |      |            |       |        |       |          |      |            |       |            |       |          |      |        |       |            |      |          |      |        |       |            |       |        |       |          |      |            |       |        |       |          |      |            |       |        |       |          |      |            |       |        |       |          |      |            |       |        |       |          |      |            |       |            |      |          |      |        |       |            |      |            |      |        |       |        |       |            |       |            |      |        |       |        |       |            |       |          |      |        |       |            |       |        |       |          |      |            |       |        |       |          |      |            |       |        |       |          |      |            |       |        |       |          |      |            |       |            |       |          |      |        |       |            |      |            |      |        |       |       |       |            |       |          |      |       |       |            |       |        |       |          |      |            |       |        |       |          |      |            |       |       |       |          |      |            |       |        |       |          |      |            |       |       |       |          |      |            |       |        |      |          |      |            |       |       |      |          |      |            |       |       |      |          |      |            |       |       |      |          |      |            |       |       |      |          |      |            |       |       |      |          |      |            |       |       |      |          |      |            |       |       |      |          |      |            |       |       |      |          |      |            |       |       |      |          |      |            |       |       |      |          |      |            |       |       |      |          |      |            |       |       |      |          |      |            |       |       |      |          |      |            |       |       |      |          |      |            |       |       |      |          |      |            |       |       |      |          |      |            |       |            |      |          |      |            |       |            |      |          |      |            |       |       |       |          |      |            |       |       |       |          |      |            |       |       |      |          |       |            |       |       |       |          |      |            |       |       |      |          |       |            |       |       |      |            |       |            |       |       |       |            |      |            |       |       |      |          |       |            |       |          |       |          |       |            |       |      |       |            |      |            |       |            |      |            |       |      |       |            |       |          |       |            |       |            |       |            |       |          |      |            |       |            |       |          |       |            |       |            |       |          |       |          |       |            |       |      |       |          |       |          |       |      |       |          |       |          |       |      |       |      |       |     |       |     |       |     |       |     |       |     |       |     |       |     |       |     |       |     |       |     |      |     |      |
| 1.5           | 17113      | 953      | 0.99                   |             |         | 1.7           | 15173      | 845        | 1.12                   | 1.9         | 13719   | 764      | 1.23 | 2.1        | 12211 | 680      | 1.39  | 2.5     | 10343 |            |       | 576   | 1.64  |          |      | 3.2        | 8009  | 446    | 2.1   |          |      | 4.7        | 5405  | 301    | 3.1   |          |      | 5.2        | 4884  | 272     | 3.5   |          |      | 6.1        | 4148  | 231     | 4.1   |          |      | 7.2        | 3520  | 196    | 4.8   |          |      |            |       |        |      |          |      |            |       |        |      |          |      |            |       |        |      |            |      |            |       |            |      |            |      |        |       |            |      |          |       |        |       |            |       |        |       |          |      |            |       |        |       |          |      |            |       |       |       |          |      |            |       |        |       |          |      |            |       |        |       |          |      |            |       |            |       |          |      |        |       |            |      |          |      |        |       |            |       |        |       |          |      |            |       |        |       |          |      |            |       |        |       |          |      |            |       |        |       |          |      |            |       |        |       |          |      |            |       |            |      |          |      |        |       |            |      |            |      |        |       |        |       |            |       |            |      |        |       |        |       |            |       |          |      |        |       |            |       |        |       |          |      |            |       |        |       |          |      |            |       |        |       |          |      |            |       |        |       |          |      |            |       |            |       |          |      |        |       |            |      |            |      |        |       |       |       |            |       |          |      |       |       |            |       |        |       |          |      |            |       |        |       |          |      |            |       |       |       |          |      |            |       |        |       |          |      |            |       |       |       |          |      |            |       |        |      |          |      |            |       |       |      |          |      |            |       |       |      |          |      |            |       |       |      |          |      |            |       |       |      |          |      |            |       |       |      |          |      |            |       |       |      |          |      |            |       |       |      |          |      |            |       |       |      |          |      |            |       |       |      |          |      |            |       |       |      |          |      |            |       |       |      |          |      |            |       |       |      |          |      |            |       |       |      |          |      |            |       |       |      |          |      |            |       |       |      |          |      |            |       |       |      |          |      |            |       |            |      |          |      |            |       |            |      |          |      |            |       |       |       |          |      |            |       |       |       |          |      |            |       |       |      |          |       |            |       |       |       |          |      |            |       |       |      |          |       |            |       |       |      |            |       |            |       |       |       |            |      |            |       |       |      |          |       |            |       |          |       |          |       |            |       |      |       |            |      |            |       |            |      |            |       |      |       |            |       |          |       |            |       |            |       |            |       |          |      |            |       |            |       |          |       |            |       |            |       |          |       |          |       |            |       |      |       |          |       |          |       |      |       |          |       |          |       |      |       |      |       |     |       |     |       |     |       |     |       |     |       |     |       |     |       |     |       |     |       |     |      |     |      |
| 1.7           | 15173      | 845      | 1.12                   |             |         | 1.9           | 13719      | 764        | 1.23                   | 2.1         | 12211   | 680      | 1.39 | 2.5        | 10343 | 576      | 1.64  | 3.2     | 8009  |            |       | 446   | 2.1   |          |      | 4.7        | 5405  | 301    | 3.1   |          |      | 5.2        | 4884  | 272    | 3.5   |          |      | 6.1        | 4148  | 231     | 4.1   |          |      | 7.2        | 3520  | 196     | 4.8   |          |      |            |       |        |       |          |      |            |       |        |      |          |      |            |       |        |      |          |      |            |       |        |      |            |      |            |       |            |      |            |      |        |       |            |      |          |       |        |       |            |       |        |       |          |      |            |       |        |       |          |      |            |       |       |       |          |      |            |       |        |       |          |      |            |       |        |       |          |      |            |       |            |       |          |      |        |       |            |      |          |      |        |       |            |       |        |       |          |      |            |       |        |       |          |      |            |       |        |       |          |      |            |       |        |       |          |      |            |       |        |       |          |      |            |       |            |      |          |      |        |       |            |      |            |      |        |       |        |       |            |       |            |      |        |       |        |       |            |       |          |      |        |       |            |       |        |       |          |      |            |       |        |       |          |      |            |       |        |       |          |      |            |       |        |       |          |      |            |       |            |       |          |      |        |       |            |      |            |      |        |       |       |       |            |       |          |      |       |       |            |       |        |       |          |      |            |       |        |       |          |      |            |       |       |       |          |      |            |       |        |       |          |      |            |       |       |       |          |      |            |       |        |      |          |      |            |       |       |      |          |      |            |       |       |      |          |      |            |       |       |      |          |      |            |       |       |      |          |      |            |       |       |      |          |      |            |       |       |      |          |      |            |       |       |      |          |      |            |       |       |      |          |      |            |       |       |      |          |      |            |       |       |      |          |      |            |       |       |      |          |      |            |       |       |      |          |      |            |       |       |      |          |      |            |       |       |      |          |      |            |       |       |      |          |      |            |       |       |      |          |      |            |       |            |      |          |      |            |       |            |      |          |      |            |       |       |       |          |      |            |       |       |       |          |      |            |       |       |      |          |       |            |       |       |       |          |      |            |       |       |      |          |       |            |       |       |      |            |       |            |       |       |       |            |      |            |       |       |      |          |       |            |       |          |       |          |       |            |       |      |       |            |      |            |       |            |      |            |       |      |       |            |       |          |       |            |       |            |       |            |       |          |      |            |       |            |       |          |       |            |       |            |       |          |       |          |       |            |       |      |       |          |       |          |       |      |       |          |       |          |       |      |       |      |       |     |       |     |       |     |       |     |       |     |       |     |       |     |       |     |       |     |       |     |      |     |      |
| 1.9           | 13719      | 764      | 1.23                   |             |         | 2.1           | 12211      | 680        | 1.39                   | 2.5         | 10343   | 576      | 1.64 | 3.2        | 8009  | 446      | 2.1   | 4.7     | 5405  |            |       | 301   | 3.1   |          |      | 5.2        | 4884  | 272    | 3.5   |          |      | 6.1        | 4148  | 231    | 4.1   |          |      | 7.2        | 3520  | 196     | 4.8   |          |      |            |       |         |       |          |      |            |       |        |       |          |      |            |       |        |      |          |      |            |       |        |      |          |      |            |       |        |      |            |      |            |       |            |      |            |      |        |       |            |      |          |       |        |       |            |       |        |       |          |      |            |       |        |       |          |      |            |       |       |       |          |      |            |       |        |       |          |      |            |       |        |       |          |      |            |       |            |       |          |      |        |       |            |      |          |      |        |       |            |       |        |       |          |      |            |       |        |       |          |      |            |       |        |       |          |      |            |       |        |       |          |      |            |       |        |       |          |      |            |       |            |      |          |      |        |       |            |      |            |      |        |       |        |       |            |       |            |      |        |       |        |       |            |       |          |      |        |       |            |       |        |       |          |      |            |       |        |       |          |      |            |       |        |       |          |      |            |       |        |       |          |      |            |       |            |       |          |      |        |       |            |      |            |      |        |       |       |       |            |       |          |      |       |       |            |       |        |       |          |      |            |       |        |       |          |      |            |       |       |       |          |      |            |       |        |       |          |      |            |       |       |       |          |      |            |       |        |      |          |      |            |       |       |      |          |      |            |       |       |      |          |      |            |       |       |      |          |      |            |       |       |      |          |      |            |       |       |      |          |      |            |       |       |      |          |      |            |       |       |      |          |      |            |       |       |      |          |      |            |       |       |      |          |      |            |       |       |      |          |      |            |       |       |      |          |      |            |       |       |      |          |      |            |       |       |      |          |      |            |       |       |      |          |      |            |       |       |      |          |      |            |       |       |      |          |      |            |       |            |      |          |      |            |       |            |      |          |      |            |       |       |       |          |      |            |       |       |       |          |      |            |       |       |      |          |       |            |       |       |       |          |      |            |       |       |      |          |       |            |       |       |      |            |       |            |       |       |       |            |      |            |       |       |      |          |       |            |       |          |       |          |       |            |       |      |       |            |      |            |       |            |      |            |       |      |       |            |       |          |       |            |       |            |       |            |       |          |      |            |       |            |       |          |       |            |       |            |       |          |       |          |       |            |       |      |       |          |       |          |       |      |       |          |       |          |       |      |       |      |       |     |       |     |       |     |       |     |       |     |       |     |       |     |       |     |       |     |       |     |      |     |      |
| 2.1           | 12211      | 680      | 1.39                   |             |         | 2.5           | 10343      | 576        | 1.64                   | 3.2         | 8009    | 446      | 2.1  | 4.7        | 5405  | 301      | 3.1   | 5.2     | 4884  |            |       | 272   | 3.5   |          |      | 6.1        | 4148  | 231    | 4.1   |          |      | 7.2        | 3520  | 196    | 4.8   |          |      |            |       |         |       |          |      |            |       |         |       |          |      |            |       |        |       |          |      |            |       |        |      |          |      |            |       |        |      |          |      |            |       |        |      |            |      |            |       |            |      |            |      |        |       |            |      |          |       |        |       |            |       |        |       |          |      |            |       |        |       |          |      |            |       |       |       |          |      |            |       |        |       |          |      |            |       |        |       |          |      |            |       |            |       |          |      |        |       |            |      |          |      |        |       |            |       |        |       |          |      |            |       |        |       |          |      |            |       |        |       |          |      |            |       |        |       |          |      |            |       |        |       |          |      |            |       |            |      |          |      |        |       |            |      |            |      |        |       |        |       |            |       |            |      |        |       |        |       |            |       |          |      |        |       |            |       |        |       |          |      |            |       |        |       |          |      |            |       |        |       |          |      |            |       |        |       |          |      |            |       |            |       |          |      |        |       |            |      |            |      |        |       |       |       |            |       |          |      |       |       |            |       |        |       |          |      |            |       |        |       |          |      |            |       |       |       |          |      |            |       |        |       |          |      |            |       |       |       |          |      |            |       |        |      |          |      |            |       |       |      |          |      |            |       |       |      |          |      |            |       |       |      |          |      |            |       |       |      |          |      |            |       |       |      |          |      |            |       |       |      |          |      |            |       |       |      |          |      |            |       |       |      |          |      |            |       |       |      |          |      |            |       |       |      |          |      |            |       |       |      |          |      |            |       |       |      |          |      |            |       |       |      |          |      |            |       |       |      |          |      |            |       |       |      |          |      |            |       |       |      |          |      |            |       |            |      |          |      |            |       |            |      |          |      |            |       |       |       |          |      |            |       |       |       |          |      |            |       |       |      |          |       |            |       |       |       |          |      |            |       |       |      |          |       |            |       |       |      |            |       |            |       |       |       |            |      |            |       |       |      |          |       |            |       |          |       |          |       |            |       |      |       |            |      |            |       |            |      |            |       |      |       |            |       |          |       |            |       |            |       |            |       |          |      |            |       |            |       |          |       |            |       |            |       |          |       |          |       |            |       |      |       |          |       |          |       |      |       |          |       |          |       |      |       |      |       |     |       |     |       |     |       |     |       |     |       |     |       |     |       |     |       |     |       |     |      |     |      |
| 2.5           | 10343      | 576      | 1.64                   |             |         | 3.2           | 8009       | 446        | 2.1                    | 4.7         | 5405    | 301      | 3.1  | 5.2        | 4884  | 272      | 3.5   | 6.1     | 4148  |            |       | 231   | 4.1   |          |      | 7.2        | 3520  | 196    | 4.8   |          |      |            |       |        |       |          |      |            |       |         |       |          |      |            |       |         |       |          |      |            |       |        |       |          |      |            |       |        |      |          |      |            |       |        |      |          |      |            |       |        |      |            |      |            |       |            |      |            |      |        |       |            |      |          |       |        |       |            |       |        |       |          |      |            |       |        |       |          |      |            |       |       |       |          |      |            |       |        |       |          |      |            |       |        |       |          |      |            |       |            |       |          |      |        |       |            |      |          |      |        |       |            |       |        |       |          |      |            |       |        |       |          |      |            |       |        |       |          |      |            |       |        |       |          |      |            |       |        |       |          |      |            |       |            |      |          |      |        |       |            |      |            |      |        |       |        |       |            |       |            |      |        |       |        |       |            |       |          |      |        |       |            |       |        |       |          |      |            |       |        |       |          |      |            |       |        |       |          |      |            |       |        |       |          |      |            |       |            |       |          |      |        |       |            |      |            |      |        |       |       |       |            |       |          |      |       |       |            |       |        |       |          |      |            |       |        |       |          |      |            |       |       |       |          |      |            |       |        |       |          |      |            |       |       |       |          |      |            |       |        |      |          |      |            |       |       |      |          |      |            |       |       |      |          |      |            |       |       |      |          |      |            |       |       |      |          |      |            |       |       |      |          |      |            |       |       |      |          |      |            |       |       |      |          |      |            |       |       |      |          |      |            |       |       |      |          |      |            |       |       |      |          |      |            |       |       |      |          |      |            |       |       |      |          |      |            |       |       |      |          |      |            |       |       |      |          |      |            |       |       |      |          |      |            |       |       |      |          |      |            |       |            |      |          |      |            |       |            |      |          |      |            |       |       |       |          |      |            |       |       |       |          |      |            |       |       |      |          |       |            |       |       |       |          |      |            |       |       |      |          |       |            |       |       |      |            |       |            |       |       |       |            |      |            |       |       |      |          |       |            |       |          |       |          |       |            |       |      |       |            |      |            |       |            |      |            |       |      |       |            |       |          |       |            |       |            |       |            |       |          |      |            |       |            |       |          |       |            |       |            |       |          |       |          |       |            |       |      |       |          |       |          |       |      |       |          |       |          |       |      |       |      |       |     |       |     |       |     |       |     |       |     |       |     |       |     |       |     |       |     |       |     |      |     |      |
| 3.2           | 8009       | 446      | 2.1                    |             |         | 4.7           | 5405       | 301        | 3.1                    | 5.2         | 4884    | 272      | 3.5  | 6.1        | 4148  | 231      | 4.1   | 7.2     | 3520  |            |       | 196   | 4.8   |          |      |            |       |        |       |          |      |            |       |        |       |          |      |            |       |         |       |          |      |            |       |         |       |          |      |            |       |        |       |          |      |            |       |        |      |          |      |            |       |        |      |          |      |            |       |        |      |            |      |            |       |            |      |            |      |        |       |            |      |          |       |        |       |            |       |        |       |          |      |            |       |        |       |          |      |            |       |       |       |          |      |            |       |        |       |          |      |            |       |        |       |          |      |            |       |            |       |          |      |        |       |            |      |          |      |        |       |            |       |        |       |          |      |            |       |        |       |          |      |            |       |        |       |          |      |            |       |        |       |          |      |            |       |        |       |          |      |            |       |            |      |          |      |        |       |            |      |            |      |        |       |        |       |            |       |            |      |        |       |        |       |            |       |          |      |        |       |            |       |        |       |          |      |            |       |        |       |          |      |            |       |        |       |          |      |            |       |        |       |          |      |            |       |            |       |          |      |        |       |            |      |            |      |        |       |       |       |            |       |          |      |       |       |            |       |        |       |          |      |            |       |        |       |          |      |            |       |       |       |          |      |            |       |        |       |          |      |            |       |       |       |          |      |            |       |        |      |          |      |            |       |       |      |          |      |            |       |       |      |          |      |            |       |       |      |          |      |            |       |       |      |          |      |            |       |       |      |          |      |            |       |       |      |          |      |            |       |       |      |          |      |            |       |       |      |          |      |            |       |       |      |          |      |            |       |       |      |          |      |            |       |       |      |          |      |            |       |       |      |          |      |            |       |       |      |          |      |            |       |       |      |          |      |            |       |       |      |          |      |            |       |       |      |          |      |            |       |            |      |          |      |            |       |            |      |          |      |            |       |       |       |          |      |            |       |       |       |          |      |            |       |       |      |          |       |            |       |       |       |          |      |            |       |       |      |          |       |            |       |       |      |            |       |            |       |       |       |            |      |            |       |       |      |          |       |            |       |          |       |          |       |            |       |      |       |            |      |            |       |            |      |            |       |      |       |            |       |          |       |            |       |            |       |            |       |          |      |            |       |            |       |          |       |            |       |            |       |          |       |          |       |            |       |      |       |          |       |          |       |      |       |          |       |          |       |      |       |      |       |     |       |     |       |     |       |     |       |     |       |     |       |     |       |     |       |     |       |     |      |     |      |
| 4.7           | 5405       | 301      | 3.1                    |             |         | 5.2           | 4884       | 272        | 3.5                    | 6.1         | 4148    | 231      | 4.1  | 7.2        | 3520  | 196      | 4.8   |         |       |            |       |       |       |          |      |            |       |        |       |          |      |            |       |        |       |          |      |            |       |         |       |          |      |            |       |         |       |          |      |            |       |        |       |          |      |            |       |        |      |          |      |            |       |        |      |          |      |            |       |        |      |            |      |            |       |            |      |            |      |        |       |            |      |          |       |        |       |            |       |        |       |          |      |            |       |        |       |          |      |            |       |       |       |          |      |            |       |        |       |          |      |            |       |        |       |          |      |            |       |            |       |          |      |        |       |            |      |          |      |        |       |            |       |        |       |          |      |            |       |        |       |          |      |            |       |        |       |          |      |            |       |        |       |          |      |            |       |        |       |          |      |            |       |            |      |          |      |        |       |            |      |            |      |        |       |        |       |            |       |            |      |        |       |        |       |            |       |          |      |        |       |            |       |        |       |          |      |            |       |        |       |          |      |            |       |        |       |          |      |            |       |        |       |          |      |            |       |            |       |          |      |        |       |            |      |            |      |        |       |       |       |            |       |          |      |       |       |            |       |        |       |          |      |            |       |        |       |          |      |            |       |       |       |          |      |            |       |        |       |          |      |            |       |       |       |          |      |            |       |        |      |          |      |            |       |       |      |          |      |            |       |       |      |          |      |            |       |       |      |          |      |            |       |       |      |          |      |            |       |       |      |          |      |            |       |       |      |          |      |            |       |       |      |          |      |            |       |       |      |          |      |            |       |       |      |          |      |            |       |       |      |          |      |            |       |       |      |          |      |            |       |       |      |          |      |            |       |       |      |          |      |            |       |       |      |          |      |            |       |       |      |          |      |            |       |       |      |          |      |            |       |            |      |          |      |            |       |            |      |          |      |            |       |       |       |          |      |            |       |       |       |          |      |            |       |       |      |          |       |            |       |       |       |          |      |            |       |       |      |          |       |            |       |       |      |            |       |            |       |       |       |            |      |            |       |       |      |          |       |            |       |          |       |          |       |            |       |      |       |            |      |            |       |            |      |            |       |      |       |            |       |          |       |            |       |            |       |            |       |          |      |            |       |            |       |          |       |            |       |            |       |          |       |          |       |            |       |      |       |          |       |          |       |      |       |          |       |          |       |      |       |      |       |     |       |     |       |     |       |     |       |     |       |     |       |     |       |     |       |     |       |     |      |     |      |
| 5.2           | 4884       | 272      | 3.5                    |             |         | 6.1           | 4148       | 231        | 4.1                    | 7.2         | 3520    | 196      | 4.8  |            |       |          |       |         |       |            |       |       |       |          |      |            |       |        |       |          |      |            |       |        |       |          |      |            |       |         |       |          |      |            |       |         |       |          |      |            |       |        |       |          |      |            |       |        |      |          |      |            |       |        |      |          |      |            |       |        |      |            |      |            |       |            |      |            |      |        |       |            |      |          |       |        |       |            |       |        |       |          |      |            |       |        |       |          |      |            |       |       |       |          |      |            |       |        |       |          |      |            |       |        |       |          |      |            |       |            |       |          |      |        |       |            |      |          |      |        |       |            |       |        |       |          |      |            |       |        |       |          |      |            |       |        |       |          |      |            |       |        |       |          |      |            |       |        |       |          |      |            |       |            |      |          |      |        |       |            |      |            |      |        |       |        |       |            |       |            |      |        |       |        |       |            |       |          |      |        |       |            |       |        |       |          |      |            |       |        |       |          |      |            |       |        |       |          |      |            |       |        |       |          |      |            |       |            |       |          |      |        |       |            |      |            |      |        |       |       |       |            |       |          |      |       |       |            |       |        |       |          |      |            |       |        |       |          |      |            |       |       |       |          |      |            |       |        |       |          |      |            |       |       |       |          |      |            |       |        |      |          |      |            |       |       |      |          |      |            |       |       |      |          |      |            |       |       |      |          |      |            |       |       |      |          |      |            |       |       |      |          |      |            |       |       |      |          |      |            |       |       |      |          |      |            |       |       |      |          |      |            |       |       |      |          |      |            |       |       |      |          |      |            |       |       |      |          |      |            |       |       |      |          |      |            |       |       |      |          |      |            |       |       |      |          |      |            |       |       |      |          |      |            |       |       |      |          |      |            |       |            |      |          |      |            |       |            |      |          |      |            |       |       |       |          |      |            |       |       |       |          |      |            |       |       |      |          |       |            |       |       |       |          |      |            |       |       |      |          |       |            |       |       |      |            |       |            |       |       |       |            |      |            |       |       |      |          |       |            |       |          |       |          |       |            |       |      |       |            |      |            |       |            |      |            |       |      |       |            |       |          |       |            |       |            |       |            |       |          |      |            |       |            |       |          |       |            |       |            |       |          |       |          |       |            |       |      |       |          |       |          |       |      |       |          |       |          |       |      |       |      |       |     |       |     |       |     |       |     |       |     |       |     |       |     |       |     |       |     |       |     |      |     |      |
| 6.1           | 4148       | 231      | 4.1                    |             |         | 7.2           | 3520       | 196        | 4.8                    |             |         |          |      |            |       |          |       |         |       |            |       |       |       |          |      |            |       |        |       |          |      |            |       |        |       |          |      |            |       |         |       |          |      |            |       |         |       |          |      |            |       |        |       |          |      |            |       |        |      |          |      |            |       |        |      |          |      |            |       |        |      |            |      |            |       |            |      |            |      |        |       |            |      |          |       |        |       |            |       |        |       |          |      |            |       |        |       |          |      |            |       |       |       |          |      |            |       |        |       |          |      |            |       |        |       |          |      |            |       |            |       |          |      |        |       |            |      |          |      |        |       |            |       |        |       |          |      |            |       |        |       |          |      |            |       |        |       |          |      |            |       |        |       |          |      |            |       |        |       |          |      |            |       |            |      |          |      |        |       |            |      |            |      |        |       |        |       |            |       |            |      |        |       |        |       |            |       |          |      |        |       |            |       |        |       |          |      |            |       |        |       |          |      |            |       |        |       |          |      |            |       |        |       |          |      |            |       |            |       |          |      |        |       |            |      |            |      |        |       |       |       |            |       |          |      |       |       |            |       |        |       |          |      |            |       |        |       |          |      |            |       |       |       |          |      |            |       |        |       |          |      |            |       |       |       |          |      |            |       |        |      |          |      |            |       |       |      |          |      |            |       |       |      |          |      |            |       |       |      |          |      |            |       |       |      |          |      |            |       |       |      |          |      |            |       |       |      |          |      |            |       |       |      |          |      |            |       |       |      |          |      |            |       |       |      |          |      |            |       |       |      |          |      |            |       |       |      |          |      |            |       |       |      |          |      |            |       |       |      |          |      |            |       |       |      |          |      |            |       |       |      |          |      |            |       |       |      |          |      |            |       |            |      |          |      |            |       |            |      |          |      |            |       |       |       |          |      |            |       |       |       |          |      |            |       |       |      |          |       |            |       |       |       |          |      |            |       |       |      |          |       |            |       |       |      |            |       |            |       |       |       |            |      |            |       |       |      |          |       |            |       |          |       |          |       |            |       |      |       |            |      |            |       |            |      |            |       |      |       |            |       |          |       |            |       |            |       |            |       |          |      |            |       |            |       |          |       |            |       |            |       |          |       |          |       |            |       |      |       |          |       |          |       |      |       |          |       |          |       |      |       |      |       |     |       |     |       |     |       |     |       |     |       |     |       |     |       |     |       |     |       |     |      |     |      |
| 7.2           | 3520       | 196      | 4.8                    |             |         |               |            |            |                        |             |         |          |      |            |       |          |       |         |       |            |       |       |       |          |      |            |       |        |       |          |      |            |       |        |       |          |      |            |       |         |       |          |      |            |       |         |       |          |      |            |       |        |       |          |      |            |       |        |      |          |      |            |       |        |      |          |      |            |       |        |      |            |      |            |       |            |      |            |      |        |       |            |      |          |       |        |       |            |       |        |       |          |      |            |       |        |       |          |      |            |       |       |       |          |      |            |       |        |       |          |      |            |       |        |       |          |      |            |       |            |       |          |      |        |       |            |      |          |      |        |       |            |       |        |       |          |      |            |       |        |       |          |      |            |       |        |       |          |      |            |       |        |       |          |      |            |       |        |       |          |      |            |       |            |      |          |      |        |       |            |      |            |      |        |       |        |       |            |       |            |      |        |       |        |       |            |       |          |      |        |       |            |       |        |       |          |      |            |       |        |       |          |      |            |       |        |       |          |      |            |       |        |       |          |      |            |       |            |       |          |      |        |       |            |      |            |      |        |       |       |       |            |       |          |      |       |       |            |       |        |       |          |      |            |       |        |       |          |      |            |       |       |       |          |      |            |       |        |       |          |      |            |       |       |       |          |      |            |       |        |      |          |      |            |       |       |      |          |      |            |       |       |      |          |      |            |       |       |      |          |      |            |       |       |      |          |      |            |       |       |      |          |      |            |       |       |      |          |      |            |       |       |      |          |      |            |       |       |      |          |      |            |       |       |      |          |      |            |       |       |      |          |      |            |       |       |      |          |      |            |       |       |      |          |      |            |       |       |      |          |      |            |       |       |      |          |      |            |       |       |      |          |      |            |       |       |      |          |      |            |       |            |      |          |      |            |       |            |      |          |      |            |       |       |       |          |      |            |       |       |       |          |      |            |       |       |      |          |       |            |       |       |       |          |      |            |       |       |      |          |       |            |       |       |      |            |       |            |       |       |       |            |      |            |       |       |      |          |       |            |       |          |       |          |       |            |       |      |       |            |      |            |       |            |      |            |       |      |       |            |       |          |       |            |       |            |       |            |       |          |      |            |       |            |       |          |       |            |       |            |       |          |       |          |       |            |       |      |       |          |       |          |       |      |       |          |       |          |       |      |       |      |       |     |       |     |       |     |       |     |       |     |       |     |       |     |       |     |       |     |       |     |      |     |      |

减速机的外形安装尺寸在95页到101页里查找。The appearance of reducer installation dimensions in 95 to 101 page search page.



| 输出转速<br>r/min | 输出扭矩<br>Nm | 传动比<br>i | 使用系数<br>f <sub>B</sub> | 机型号<br>Type | 极数<br>p | 输出转速<br>r/min | 输出扭矩<br>Nm | 传动比<br>i | 使用系数<br>f <sub>B</sub> | 机型号<br>Type | 极数<br>p |        |       |        |      |        |       |        |      |        |       |        |      |        |       |        |      |        |       |        |      |        |       |        |      |        |       |        |      |       |       |        |      |        |       |        |      |        |       |        |      |        |       |        |      |        |       |        |      |        |       |        |      |        |       |        |      |        |       |        |      |        |       |        |      |        |       |        |      |        |       |        |      |        |       |        |      |        |       |        |      |        |       |        |      |        |       |        |      |        |       |        |      |        |       |        |      |        |       |        |      |        |       |        |      |        |       |        |      |        |       |        |      |        |       |        |      |        |       |        |      |        |       |        |      |       |       |        |      |       |       |        |      |       |       |        |       |       |       |        |       |       |       |        |       |       |       |        |       |       |       |        |       |       |       |        |       |       |       |        |       |       |       |        |       |       |       |        |      |       |       |        |       |       |       |        |       |       |       |        |      |       |       |        |       |       |       |        |       |       |       |        |      |       |       |        |       |       |       |        |       |        |       |        |       |        |       |        |       |        |       |        |       |        |       |        |      |        |       |        |      |        |       |        |       |        |       |        |       |        |       |        |       |        |       |        |       |        |       |        |       |        |       |        |       |        |       |        |       |        |       |        |       |        |       |        |       |        |       |        |       |        |      |        |       |        |       |        |      |        |       |        |      |        |      |        |       |        |       |        |       |        |       |        |       |        |      |        |      |        |      |        |      |        |      |        |      |        |      |        |      |        |      |        |      |        |      |        |      |        |      |        |      |        |      |        |      |        |      |        |      |        |      |        |      |        |      |        |      |        |      |        |      |        |      |        |      |        |      |        |      |        |      |        |      |        |      |        |      |        |      |        |      |
|---------------|------------|----------|------------------------|-------------|---------|---------------|------------|----------|------------------------|-------------|---------|--------|-------|--------|------|--------|-------|--------|------|--------|-------|--------|------|--------|-------|--------|------|--------|-------|--------|------|--------|-------|--------|------|--------|-------|--------|------|-------|-------|--------|------|--------|-------|--------|------|--------|-------|--------|------|--------|-------|--------|------|--------|-------|--------|------|--------|-------|--------|------|--------|-------|--------|------|--------|-------|--------|------|--------|-------|--------|------|--------|-------|--------|------|--------|-------|--------|------|--------|-------|--------|------|--------|-------|--------|------|--------|-------|--------|------|--------|-------|--------|------|--------|-------|--------|------|--------|-------|--------|------|--------|-------|--------|------|--------|-------|--------|------|--------|-------|--------|------|--------|-------|--------|------|--------|-------|--------|------|--------|-------|--------|------|--------|-------|--------|------|-------|-------|--------|------|-------|-------|--------|------|-------|-------|--------|-------|-------|-------|--------|-------|-------|-------|--------|-------|-------|-------|--------|-------|-------|-------|--------|-------|-------|-------|--------|-------|-------|-------|--------|-------|-------|-------|--------|-------|-------|-------|--------|------|-------|-------|--------|-------|-------|-------|--------|-------|-------|-------|--------|------|-------|-------|--------|-------|-------|-------|--------|-------|-------|-------|--------|------|-------|-------|--------|-------|-------|-------|--------|-------|--------|-------|--------|-------|--------|-------|--------|-------|--------|-------|--------|-------|--------|-------|--------|------|--------|-------|--------|------|--------|-------|--------|-------|--------|-------|--------|-------|--------|-------|--------|-------|--------|-------|--------|-------|--------|-------|--------|-------|--------|-------|--------|-------|--------|-------|--------|-------|--------|-------|--------|-------|--------|-------|--------|-------|--------|-------|--------|-------|--------|------|--------|-------|--------|-------|--------|------|--------|-------|--------|------|--------|------|--------|-------|--------|-------|--------|-------|--------|-------|--------|-------|--------|------|--------|------|--------|------|--------|------|--------|------|--------|------|--------|------|--------|------|--------|------|--------|------|--------|------|--------|------|--------|------|--------|------|--------|------|--------|------|--------|------|--------|------|--------|------|--------|------|--------|------|--------|------|--------|------|--------|------|--------|------|--------|------|--------|------|--------|------|--------|------|--------|------|--------|------|--------|------|--------|------|--------|------|
| <b>3kW</b>    |            |          |                        |             |         | <b>3kW</b>    |            |          |                        |             |         |        |       |        |      |        |       |        |      |        |       |        |      |        |       |        |      |        |       |        |      |        |       |        |      |        |       |        |      |       |       |        |      |        |       |        |      |        |       |        |      |        |       |        |      |        |       |        |      |        |       |        |      |        |       |        |      |        |       |        |      |        |       |        |      |        |       |        |      |        |       |        |      |        |       |        |      |        |       |        |      |        |       |        |      |        |       |        |      |        |       |        |      |        |       |        |      |        |       |        |      |        |       |        |      |        |       |        |      |        |       |        |      |        |       |        |      |        |       |        |      |        |       |        |      |       |       |        |      |       |       |        |      |       |       |        |       |       |       |        |       |       |       |        |       |       |       |        |       |       |       |        |       |       |       |        |       |       |       |        |       |       |       |        |       |       |       |        |      |       |       |        |       |       |       |        |       |       |       |        |      |       |       |        |       |       |       |        |       |       |       |        |      |       |       |        |       |       |       |        |       |        |       |        |       |        |       |        |       |        |       |        |       |        |       |        |      |        |       |        |      |        |       |        |       |        |       |        |       |        |       |        |       |        |       |        |       |        |       |        |       |        |       |        |       |        |       |        |       |        |       |        |       |        |       |        |       |        |       |        |       |        |      |        |       |        |       |        |      |        |       |        |      |        |      |        |       |        |       |        |       |        |       |        |       |        |      |        |      |        |      |        |      |        |      |        |      |        |      |        |      |        |      |        |      |        |      |        |      |        |      |        |      |        |      |        |      |        |      |        |      |        |      |        |      |        |      |        |      |        |      |        |      |        |      |        |      |        |      |        |      |        |      |        |      |        |      |        |      |        |      |        |      |
| 1.9           | 13162      | 733      | 0.86                   | F 127R77    | 4       | 57            | 473        | 24.96    | 1.19                   | F 57        | 4       |        |       |        |      |        |       |        |      |        |       |        |      |        |       |        |      |        |       |        |      |        |       |        |      |        |       |        |      |       |       |        |      |        |       |        |      |        |       |        |      |        |       |        |      |        |       |        |      |        |       |        |      |        |       |        |      |        |       |        |      |        |       |        |      |        |       |        |      |        |       |        |      |        |       |        |      |        |       |        |      |        |       |        |      |        |       |        |      |        |       |        |      |        |       |        |      |        |       |        |      |        |       |        |      |        |       |        |      |        |       |        |      |        |       |        |      |        |       |        |      |        |       |        |      |       |       |        |      |       |       |        |      |       |       |        |       |       |       |        |       |       |       |        |       |       |       |        |       |       |       |        |       |       |       |        |       |       |       |        |       |       |       |        |       |       |       |        |      |       |       |        |       |       |       |        |       |       |       |        |      |       |       |        |       |       |       |        |       |       |       |        |      |       |       |        |       |       |       |        |       |        |       |        |       |        |       |        |       |        |       |        |       |        |       |        |      |        |       |        |      |        |       |        |       |        |       |        |       |        |       |        |       |        |       |        |       |        |       |        |       |        |       |        |       |        |       |        |       |        |       |        |       |        |       |        |       |        |       |        |       |        |      |        |       |        |       |        |      |        |       |        |      |        |      |        |       |        |       |        |       |        |       |        |       |        |      |        |      |        |      |        |      |        |      |        |      |        |      |        |      |        |      |        |      |        |      |        |      |        |      |        |      |        |      |        |      |        |      |        |      |        |      |        |      |        |      |        |      |        |      |        |      |        |      |        |      |        |      |        |      |        |      |        |      |        |      |        |      |        |      |        |      |
| 2.2           | 11492      | 640      | 0.98                   |             |         | 2.6           | 9733       | 542      | 1.16                   |             |         | 2.9    | 8781  | 489    | 1.28 | 3.3    | 7668  | 427    | 0.96 | 3.9    | 6500  | 362    | 1.13 | 4.3    | 5872  | 327    | 1.26 | 5.0    | 5118  | 285    | 1.44 | 3.8    | 7161  | 255.25 | 1.03 | F 107  | 6     | 73     | 371  | 19.56 | 1.01  | F 47   | 4    | 4.5    | 6033  | 215.04 | 1.22 | 4.8    | 5591  | 199.31 | 1.32 | 5.4    | 5011  | 178.64 | 1.47 | 5.6    | 4841  | 255.25 | 1.52 | F 107  | 4     | 83     | 326  | 17.21  | 1.15  | 6.6    | 4078 | 215.04 | 1.81  | 7.1    | 3780 | 199.31 | 1.95  | 7.9    | 3388 | 178.64 | 2.2   | 8.8    | 3059 | 161.28 | 2.4   | 6.3    | 4293 | 226.34 | 0.94  | 7.5    | 3575 | 188.50 | 1.13  | 8.1    | 3335 | 175.83 | 1.21  | 9.0    | 2981 | 157.16 | 1.36  | 10     | 2683 | 141.47 | 1.51  | 11     | 2430 | 128.12 | 1.66  | 12     | 2155 | 113.61 | 1.88  | 14     | 1948 | 102.72 | 2.1   | 16     | 1721 | 90.77  | 2.3   | 11     | 2544 | 134.16 | 1.11  | 12     | 2338 | 123.29 | 1.21  | 13     | 2077 | 109.49 | 1.36  | 15     | 1857 | 97.89  | 1.52  | 16     | 1669 | 88.01 | 1.69  | 19     | 1449 | 76.39 | 1.9   | 21     | 1297 | 68.40 | 2.2   | 25     | 1076  | 56.75 | 2.6   | 28     | 954   | 50.29 | 2.9   | 17     | 1622  | 85.52 | 0.87  | 19     | 1423  | 75.02 | 0.99  | 21     | 1257  | 66.28 | 1.12  | 24     | 1103  | 58.16 | 1.28  | 26     | 1045  | 55.12 | 1.35  | 29     | 915   | 48.24 | 1.54  | 33     | 824  | 43.46 | 1.71  | 37     | 723   | 38.12 | 1.95  | 39     | 694   | 36.52 | 1.5   | 45     | 598  | 31.45 | 2.2   | 49     | 545   | 28.59 | 2.5   | 56     | 484   | 25.50 | 2.9   | 66     | 406  | 21.43 | 3.5   | 33     | 819   | 43.20 | 0.94  | 36     | 745   | 39.26  | 0.98  | 42     | 645   | 34.01  | 1.08  | 44     | 608   | 32.08  | 1.27  | 52     | 520   | 27.41  | 1.48  | 57     | 477  | 25.13  | 1.62  | 64     | 418  | 22.05  | 1.84  | 68     | 396   | 20.90  | 1.94  | 78     | 347   | 18.29  | 2.2   | 86     | 313   | 16.48  | 2.5   | 98     | 274   | 14.46  | 2.8   | 2.5    | 19950 | 845    | 0.85  | 1.9    | 18038 | 764    | 0.94  | 2.1    | 16055 | 680    | 1.05  | 2.5    | 13599 | 576    | 1.24  | 3.2    | 10530 | 446    | 1.61  | 4.8    | 7107  | 301    | 2.4  | 5.3    | 6422  | 272    | 2.6   | 6.2    | 5454 | 231    | 3.1   | 7.3    | 4628 | 196    | 3.7  | 2.7    | 12796 | 542    | 0.88  | 2.9    | 11545 | 489    | 0.98  | 3.4    | 9987  | 423    | 1.13 | 3.9    | 8759 | 371    | 1.29 | 4.4    | 7720 | 327    | 0.94 | 5.1    | 6729 | 285    | 1.07 | 6.5    | 5218 | 221    | 1.38 | 4.2    | 8594 | 172.33 | 1.31 | 4.6    | 7721 | 154.81 | 1.46 | 5.7    | 6269 | 125.71 | 1.80 | 5.6    | 6365 | 255.25 | 1.16 | 6.7    | 5363 | 215.04 | 1.37 | 7.2    | 4970 | 199.31 | 1.48 | 8.1    | 4455 | 178.64 | 1.65 | 8.9    | 4022 | 161.28 | 1.83 | 9.8    | 3653 | 146.49 | 2.02 | 11     | 3241 | 129.97 | 2.3  | 12     | 2941 | 117.94 | 2.5  | 14     | 2528 | 101.38 | 2.9  |        |      |
| 2.6           | 9733       | 542      | 1.16                   |             |         | 2.9           | 8781       | 489      | 1.28                   |             |         | 3.3    | 7668  | 427    | 0.96 | 3.9    | 6500  | 362    | 1.13 | 4.3    | 5872  | 327    | 1.26 | 5.0    | 5118  | 285    | 1.44 | 3.8    | 7161  | 255.25 | 1.03 | F 107  | 6     | 73     | 371  |        |       | 19.56  | 1.01 | F 47  | 4     |        |      | 4.5    | 6033  | 215.04 | 1.22 | 4.8    | 5591  | 199.31 | 1.32 | 5.4    | 5011  | 178.64 | 1.47 | 5.6    | 4841  | 255.25 | 1.52 |        |       | F 107  | 4    | 83     | 326   | 17.21  | 1.15 | 6.6    | 4078  | 215.04 | 1.81 | 7.1    | 3780  | 199.31 | 1.95 | 7.9    | 3388  | 178.64 | 2.2  | 8.8    | 3059  | 161.28 | 2.4  | 6.3    | 4293  | 226.34 | 0.94 | 7.5    | 3575  | 188.50 | 1.13 | 8.1    | 3335  | 175.83 | 1.21 | 9.0    | 2981  | 157.16 | 1.36 | 10     | 2683  | 141.47 | 1.51 | 11     | 2430  | 128.12 | 1.66 | 12     | 2155  | 113.61 | 1.88 | 14     | 1948  | 102.72 | 2.1  | 16     | 1721  | 90.77  | 2.3  | 11     | 2544  | 134.16 | 1.11 | 12     | 2338  | 123.29 | 1.21 | 13     | 2077  | 109.49 | 1.36 | 15     | 1857  | 97.89  | 1.52 | 16    | 1669  | 88.01  | 1.69 | 19    | 1449  | 76.39  | 1.9  | 21    | 1297  | 68.40  | 2.2   | 25    | 1076  | 56.75  | 2.6   | 28    | 954   | 50.29  | 2.9   | 17    | 1622  | 85.52  | 0.87  | 19    | 1423  | 75.02  | 0.99  | 21    | 1257  | 66.28  | 1.12  | 24    | 1103  | 58.16  | 1.28  | 26    | 1045  | 55.12  | 1.35  | 29    | 915   | 48.24  | 1.54 | 33    | 824   | 43.46  | 1.71  | 37    | 723   | 38.12  | 1.95  | 39    | 694   | 36.52  | 1.5  | 45    | 598   | 31.45  | 2.2   | 49    | 545   | 28.59  | 2.5   | 56    | 484   | 25.50  | 2.9  | 66    | 406   | 21.43  | 3.5   | 33    | 819   | 43.20  | 0.94  | 36     | 745   | 39.26  | 0.98  | 42     | 645   | 34.01  | 1.08  | 44     | 608   | 32.08  | 1.27  | 52     | 520   | 27.41  | 1.48 | 57     | 477   | 25.13  | 1.62 | 64     | 418   | 22.05  | 1.84  | 68     | 396   | 20.90  | 1.94  | 78     | 347   | 18.29  | 2.2   | 86     | 313   | 16.48  | 2.5   | 98     | 274   | 14.46  | 2.8   | 2.5    | 19950 | 845    | 0.85  | 1.9    | 18038 | 764    | 0.94  | 2.1    | 16055 | 680    | 1.05  | 2.5    | 13599 | 576    | 1.24  | 3.2    | 10530 | 446    | 1.61  | 4.8    | 7107 | 301    | 2.4   | 5.3    | 6422  | 272    | 2.6  | 6.2    | 5454  | 231    | 3.1  | 7.3    | 4628 | 196    | 3.7   | 2.7    | 12796 | 542    | 0.88  | 2.9    | 11545 | 489    | 0.98  | 3.4    | 9987 | 423    | 1.13 | 3.9    | 8759 | 371    | 1.29 | 4.4    | 7720 | 327    | 0.94 | 5.1    | 6729 | 285    | 1.07 | 6.5    | 5218 | 221    | 1.38 | 4.2    | 8594 | 172.33 | 1.31 | 4.6    | 7721 | 154.81 | 1.46 | 5.7    | 6269 | 125.71 | 1.80 | 5.6    | 6365 | 255.25 | 1.16 | 6.7    | 5363 | 215.04 | 1.37 | 7.2    | 4970 | 199.31 | 1.48 | 8.1    | 4455 | 178.64 | 1.65 | 8.9    | 4022 | 161.28 | 1.83 | 9.8    | 3653 | 146.49 | 2.02 | 11     | 3241 | 129.97 | 2.3  | 12     | 2941 | 117.94 | 2.5  | 14     | 2528 | 101.38 | 2.9  |
| 2.9           | 8781       | 489      | 1.28                   |             |         | 3.3           | 7668       | 427      | 0.96                   |             |         | 3.9    | 6500  | 362    | 1.13 | 4.3    | 5872  | 327    | 1.26 | 5.0    | 5118  | 285    | 1.44 | 3.8    | 7161  | 255.25 | 1.03 | F 107  | 6     | 73     | 371  |        |       | 19.56  | 1.01 |        |       | F 47   | 4    |       |       |        |      | 4.5    | 6033  | 215.04 | 1.22 | 4.8    | 5591  | 199.31 | 1.32 | 5.4    | 5011  | 178.64 | 1.47 | 5.6    | 4841  | 255.25 | 1.52 |        |       |        |      | F 107  | 4     | 83     | 326  | 17.21  | 1.15  | 6.6    | 4078 | 215.04 | 1.81  | 7.1    | 3780 | 199.31 | 1.95  | 7.9    | 3388 | 178.64 | 2.2   | 8.8    | 3059 | 161.28 | 2.4   | 6.3    | 4293 | 226.34 | 0.94  | 7.5    | 3575 | 188.50 | 1.13  | 8.1    | 3335 | 175.83 | 1.21  | 9.0    | 2981 | 157.16 | 1.36  | 10     | 2683 | 141.47 | 1.51  | 11     | 2430 | 128.12 | 1.66  | 12     | 2155 | 113.61 | 1.88  | 14     | 1948 | 102.72 | 2.1   | 16     | 1721 | 90.77  | 2.3   | 11     | 2544 | 134.16 | 1.11  | 12     | 2338 | 123.29 | 1.21  | 13     | 2077 | 109.49 | 1.36  | 15     | 1857 | 97.89 | 1.52  | 16     | 1669 | 88.01 | 1.69  | 19     | 1449 | 76.39 | 1.9   | 21     | 1297  | 68.40 | 2.2   | 25     | 1076  | 56.75 | 2.6   | 28     | 954   | 50.29 | 2.9   | 17     | 1622  | 85.52 | 0.87  | 19     | 1423  | 75.02 | 0.99  | 21     | 1257  | 66.28 | 1.12  | 24     | 1103  | 58.16 | 1.28  | 26     | 1045  | 55.12 | 1.35  | 29     | 915  | 48.24 | 1.54  | 33     | 824   | 43.46 | 1.71  | 37     | 723   | 38.12 | 1.95  | 39     | 694  | 36.52 | 1.5   | 45     | 598   | 31.45 | 2.2   | 49     | 545   | 28.59 | 2.5   | 56     | 484  | 25.50 | 2.9   | 66     | 406   | 21.43 | 3.5   | 33     | 819   | 43.20  | 0.94  | 36     | 745   | 39.26  | 0.98  | 42     | 645   | 34.01  | 1.08  | 44     | 608   | 32.08  | 1.27  | 52     | 520  | 27.41  | 1.48  | 57     | 477  | 25.13  | 1.62  | 64     | 418   | 22.05  | 1.84  | 68     | 396   | 20.90  | 1.94  | 78     | 347   | 18.29  | 2.2   | 86     | 313   | 16.48  | 2.5   | 98     | 274   | 14.46  | 2.8   | 2.5    | 19950 | 845    | 0.85  | 1.9    | 18038 | 764    | 0.94  | 2.1    | 16055 | 680    | 1.05  | 2.5    | 13599 | 576    | 1.24  | 3.2    | 10530 | 446    | 1.61 | 4.8    | 7107  | 301    | 2.4   | 5.3    | 6422 | 272    | 2.6   | 6.2    | 5454 | 231    | 3.1  | 7.3    | 4628  | 196    | 3.7   | 2.7    | 12796 | 542    | 0.88  | 2.9    | 11545 | 489    | 0.98 | 3.4    | 9987 | 423    | 1.13 | 3.9    | 8759 | 371    | 1.29 | 4.4    | 7720 | 327    | 0.94 | 5.1    | 6729 | 285    | 1.07 | 6.5    | 5218 | 221    | 1.38 | 4.2    | 8594 | 172.33 | 1.31 | 4.6    | 7721 | 154.81 | 1.46 | 5.7    | 6269 | 125.71 | 1.80 | 5.6    | 6365 | 255.25 | 1.16 | 6.7    | 5363 | 215.04 | 1.37 | 7.2    | 4970 | 199.31 | 1.48 | 8.1    | 4455 | 178.64 | 1.65 | 8.9    | 4022 | 161.28 | 1.83 | 9.8    | 3653 | 146.49 | 2.02 | 11     | 3241 | 129.97 | 2.3  | 12     | 2941 | 117.94 | 2.5  | 14     | 2528 |
| 3.3           | 7668       | 427      | 0.96                   | 3.9         | 6500    | 362           | 1.13       | 4.3      | 5872                   |             |         | 327    | 1.26  | 5.0    | 5118 | 285    | 1.44  | 3.8    | 7161 | 255.25 | 1.03  | F 107  | 6    | 73     | 371   | 19.56  | 1.01 |        |       | F 47   | 4    |        |       | 4.5    | 6033 |        |       |        |      |       |       |        |      | 215.04 | 1.22  | 4.8    | 5591 | 199.31 | 1.32  | 5.4    | 5011 | 178.64 | 1.47  | 5.6    | 4841 | 255.25 | 1.52  | F 107  | 4    |        |       |        |      |        |       | 83     | 326  | 17.21  | 1.15  | 6.6    | 4078 | 215.04 | 1.81  | 7.1    | 3780 | 199.31 | 1.95  | 7.9    | 3388 | 178.64 | 2.2   | 8.8    | 3059 | 161.28 | 2.4   | 6.3    | 4293 | 226.34 | 0.94  | 7.5    | 3575 | 188.50 | 1.13  | 8.1    | 3335 | 175.83 | 1.21  | 9.0    | 2981 | 157.16 | 1.36  | 10     | 2683 | 141.47 | 1.51  | 11     | 2430 | 128.12 | 1.66  | 12     | 2155 | 113.61 | 1.88  | 14     | 1948 | 102.72 | 2.1   | 16     | 1721 | 90.77  | 2.3   | 11     | 2544 | 134.16 | 1.11  | 12     | 2338 | 123.29 | 1.21  | 13     | 2077 | 109.49 | 1.36  | 15     | 1857 | 97.89 | 1.52  | 16     | 1669 | 88.01 | 1.69  | 19     | 1449 | 76.39 | 1.9   | 21     | 1297  | 68.40 | 2.2   | 25     | 1076  | 56.75 | 2.6   | 28     | 954   | 50.29 | 2.9   | 17     | 1622  | 85.52 | 0.87  | 19     | 1423  | 75.02 | 0.99  | 21     | 1257  | 66.28 | 1.12  | 24     | 1103  | 58.16 | 1.28  | 26     | 1045  | 55.12 | 1.35  | 29     | 915  | 48.24 | 1.54  | 33     | 824   | 43.46 | 1.71  | 37     | 723   | 38.12 | 1.95  | 39     | 694  | 36.52 | 1.5   | 45     | 598   | 31.45 | 2.2   | 49     | 545   | 28.59 | 2.5   | 56     | 484  | 25.50 | 2.9   | 66     | 406   | 21.43 | 3.5   | 33     | 819   | 43.20  | 0.94  | 36     | 745   | 39.26  | 0.98  | 42     | 645   | 34.01  | 1.08  | 44     | 608   | 32.08  | 1.27  | 52     | 520  | 27.41  | 1.48  | 57     | 477  | 25.13  | 1.62  | 64     | 418   | 22.05  | 1.84  | 68     | 396   | 20.90  | 1.94  | 78     | 347   | 18.29  | 2.2   | 86     | 313   | 16.48  | 2.5   | 98     | 274   | 14.46  | 2.8   | 2.5    | 19950 | 845    | 0.85  | 1.9    | 18038 | 764    | 0.94  | 2.1    | 16055 | 680    | 1.05  | 2.5    | 13599 | 576    | 1.24  | 3.2    | 10530 | 446    | 1.61 | 4.8    | 7107  | 301    | 2.4   | 5.3    | 6422 | 272    | 2.6   | 6.2    | 5454 | 231    | 3.1  | 7.3    | 4628  | 196    | 3.7   | 2.7    | 12796 | 542    | 0.88  | 2.9    | 11545 | 489    | 0.98 | 3.4    | 9987 | 423    | 1.13 | 3.9    | 8759 | 371    | 1.29 | 4.4    | 7720 | 327    | 0.94 | 5.1    | 6729 | 285    | 1.07 | 6.5    | 5218 | 221    | 1.38 | 4.2    | 8594 | 172.33 | 1.31 | 4.6    | 7721 | 154.81 | 1.46 | 5.7    | 6269 | 125.71 | 1.80 | 5.6    | 6365 | 255.25 | 1.16 | 6.7    | 5363 | 215.04 | 1.37 | 7.2    | 4970 | 199.31 | 1.48 | 8.1    | 4455 | 178.64 | 1.65 | 8.9    | 4022 | 161.28 | 1.83 | 9.8    | 3653 | 146.49 | 2.02 | 11     | 3241 | 129.97 | 2.3  | 12     | 2941 | 117.94 | 2.5  | 14     | 2528 |
| 3.9           | 6500       | 362      | 1.13                   | 4.3         | 5872    | 327           | 1.26       | 5.0      | 5118                   |             |         | 285    | 1.44  | 3.8    | 7161 | 255.25 | 1.03  | F 107  | 6    | 73     | 371   |        |      | 19.56  | 1.01  | F 47   | 4    |        |       |        |      |        |       | 4.5    | 6033 | 215.04 | 1.22  |        |      |       |       |        |      | 4.8    | 5591  | 199.31 | 1.32 | 5.4    | 5011  | 178.64 | 1.47 | 5.6    | 4841  | 255.25 | 1.52 | F 107  | 4     |        |      |        |       |        |      |        |       | 83     | 326  | 17.21  | 1.15  | 6.6    | 4078 | 215.04 | 1.81  | 7.1    | 3780 | 199.31 | 1.95  | 7.9    | 3388 | 178.64 | 2.2   | 8.8    | 3059 | 161.28 | 2.4   | 6.3    | 4293 | 226.34 | 0.94  | 7.5    | 3575 | 188.50 | 1.13  | 8.1    | 3335 | 175.83 | 1.21  | 9.0    | 2981 | 157.16 | 1.36  | 10     | 2683 | 141.47 | 1.51  | 11     | 2430 | 128.12 | 1.66  | 12     | 2155 | 113.61 | 1.88  | 14     | 1948 | 102.72 | 2.1   | 16     | 1721 | 90.77  | 2.3   | 11     | 2544 | 134.16 | 1.11  | 12     | 2338 | 123.29 | 1.21  | 13     | 2077 | 109.49 | 1.36  | 15     | 1857 | 97.89 | 1.52  | 16     | 1669 | 88.01 | 1.69  | 19     | 1449 | 76.39 | 1.9   | 21     | 1297  | 68.40 | 2.2   | 25     | 1076  | 56.75 | 2.6   | 28     | 954   | 50.29 | 2.9   | 17     | 1622  | 85.52 | 0.87  | 19     | 1423  | 75.02 | 0.99  | 21     | 1257  | 66.28 | 1.12  | 24     | 1103  | 58.16 | 1.28  | 26     | 1045  | 55.12 | 1.35  | 29     | 915  | 48.24 | 1.54  | 33     | 824   | 43.46 | 1.71  | 37     | 723   | 38.12 | 1.95  | 39     | 694  | 36.52 | 1.5   | 45     | 598   | 31.45 | 2.2   | 49     | 545   | 28.59 | 2.5   | 56     | 484  | 25.50 | 2.9   | 66     | 406   | 21.43 | 3.5   | 33     | 819   | 43.20  | 0.94  | 36     | 745   | 39.26  | 0.98  | 42     | 645   | 34.01  | 1.08  | 44     | 608   | 32.08  | 1.27  | 52     | 520  | 27.41  | 1.48  | 57     | 477  | 25.13  | 1.62  | 64     | 418   | 22.05  | 1.84  | 68     | 396   | 20.90  | 1.94  | 78     | 347   | 18.29  | 2.2   | 86     | 313   | 16.48  | 2.5   | 98     | 274   | 14.46  | 2.8   | 2.5    | 19950 | 845    | 0.85  | 1.9    | 18038 | 764    | 0.94  | 2.1    | 16055 | 680    | 1.05  | 2.5    | 13599 | 576    | 1.24  | 3.2    | 10530 | 446    | 1.61 | 4.8    | 7107  | 301    | 2.4   | 5.3    | 6422 | 272    | 2.6   | 6.2    | 5454 | 231    | 3.1  | 7.3    | 4628  | 196    | 3.7   | 2.7    | 12796 | 542    | 0.88  | 2.9    | 11545 | 489    | 0.98 | 3.4    | 9987 | 423    | 1.13 | 3.9    | 8759 | 371    | 1.29 | 4.4    | 7720 | 327    | 0.94 | 5.1    | 6729 | 285    | 1.07 | 6.5    | 5218 | 221    | 1.38 | 4.2    | 8594 | 172.33 | 1.31 | 4.6    | 7721 | 154.81 | 1.46 | 5.7    | 6269 | 125.71 | 1.80 | 5.6    | 6365 | 255.25 | 1.16 | 6.7    | 5363 | 215.04 | 1.37 | 7.2    | 4970 | 199.31 | 1.48 | 8.1    | 4455 | 178.64 | 1.65 | 8.9    | 4022 | 161.28 | 1.83 | 9.8    | 3653 | 146.49 | 2.02 | 11     | 3241 | 129.97 | 2.3  | 12     | 2941 | 117.94 | 2.5  | 14     | 2528 |
| 4.3           | 5872       | 327      | 1.26                   | 5.0         | 5118    | 285           | 1.44       | 3.8      | 7161                   |             |         | 255.25 | 1.03  | F 107  | 6    | 73     | 371   |        |      | 19.56  | 1.01  |        |      | F 47   | 4     |        |      |        |       |        |      | 4.5    | 6033  | 215.04 | 1.22 | 4.8    | 5591  |        |      |       |       |        |      | 199.31 | 1.32  | 5.4    | 5011 | 178.64 | 1.47  | 5.6    | 4841 | 255.25 | 1.52  | F 107  | 4    |        |       |        |      |        |       |        |      |        |       | 83     | 326  | 17.21  | 1.15  | 6.6    | 4078 | 215.04 | 1.81  | 7.1    | 3780 | 199.31 | 1.95  | 7.9    | 3388 | 178.64 | 2.2   | 8.8    | 3059 | 161.28 | 2.4   | 6.3    | 4293 | 226.34 | 0.94  | 7.5    | 3575 | 188.50 | 1.13  | 8.1    | 3335 | 175.83 | 1.21  | 9.0    | 2981 | 157.16 | 1.36  | 10     | 2683 | 141.47 | 1.51  | 11     | 2430 | 128.12 | 1.66  | 12     | 2155 | 113.61 | 1.88  | 14     | 1948 | 102.72 | 2.1   | 16     | 1721 | 90.77  | 2.3   | 11     | 2544 | 134.16 | 1.11  | 12     | 2338 | 123.29 | 1.21  | 13     | 2077 | 109.49 | 1.36  | 15     | 1857 | 97.89 | 1.52  | 16     | 1669 | 88.01 | 1.69  | 19     | 1449 | 76.39 | 1.9   | 21     | 1297  | 68.40 | 2.2   | 25     | 1076  | 56.75 | 2.6   | 28     | 954   | 50.29 | 2.9   | 17     | 1622  | 85.52 | 0.87  | 19     | 1423  | 75.02 | 0.99  | 21     | 1257  | 66.28 | 1.12  | 24     | 1103  | 58.16 | 1.28  | 26     | 1045  | 55.12 | 1.35  | 29     | 915  | 48.24 | 1.54  | 33     | 824   | 43.46 | 1.71  | 37     | 723   | 38.12 | 1.95  | 39     | 694  | 36.52 | 1.5   | 45     | 598   | 31.45 | 2.2   | 49     | 545   | 28.59 | 2.5   | 56     | 484  | 25.50 | 2.9   | 66     | 406   | 21.43 | 3.5   | 33     | 819   | 43.20  | 0.94  | 36     | 745   | 39.26  | 0.98  | 42     | 645   | 34.01  | 1.08  | 44     | 608   | 32.08  | 1.27  | 52     | 520  | 27.41  | 1.48  | 57     | 477  | 25.13  | 1.62  | 64     | 418   | 22.05  | 1.84  | 68     | 396   | 20.90  | 1.94  | 78     | 347   | 18.29  | 2.2   | 86     | 313   | 16.48  | 2.5   | 98     | 274   | 14.46  | 2.8   | 2.5    | 19950 | 845    | 0.85  | 1.9    | 18038 | 764    | 0.94  | 2.1    | 16055 | 680    | 1.05  | 2.5    | 13599 | 576    | 1.24  | 3.2    | 10530 | 446    | 1.61 | 4.8    | 7107  | 301    | 2.4   | 5.3    | 6422 | 272    | 2.6   | 6.2    | 5454 | 231    | 3.1  | 7.3    | 4628  | 196    | 3.7   | 2.7    | 12796 | 542    | 0.88  | 2.9    | 11545 | 489    | 0.98 | 3.4    | 9987 | 423    | 1.13 | 3.9    | 8759 | 371    | 1.29 | 4.4    | 7720 | 327    | 0.94 | 5.1    | 6729 | 285    | 1.07 | 6.5    | 5218 | 221    | 1.38 | 4.2    | 8594 | 172.33 | 1.31 | 4.6    | 7721 | 154.81 | 1.46 | 5.7    | 6269 | 125.71 | 1.80 | 5.6    | 6365 | 255.25 | 1.16 | 6.7    | 5363 | 215.04 | 1.37 | 7.2    | 4970 | 199.31 | 1.48 | 8.1    | 4455 | 178.64 | 1.65 | 8.9    | 4022 | 161.28 | 1.83 | 9.8    | 3653 | 146.49 | 2.02 | 11     | 3241 | 129.97 | 2.3  | 12     | 2941 | 117.94 | 2.5  | 14     | 2528 |
| 5.0           | 5118       | 285      | 1.44                   | 3.8         | 7161    | 255.25        | 1.03       | F 107    | 6                      |             |         | 73     | 371   |        |      | 19.56  | 1.01  |        |      | F 47   | 4     |        |      |        |       |        |      | 4.5    | 6033  |        |      | 215.04 | 1.22  | 4.8    | 5591 | 199.31 | 1.32  |        |      |       |       |        |      | 5.4    | 5011  | 178.64 | 1.47 | 5.6    | 4841  | 255.25 | 1.52 | F 107  | 4     |        |      |        |       |        |      |        |       |        |      |        |       | 83     | 326  | 17.21  | 1.15  | 6.6    | 4078 | 215.04 | 1.81  | 7.1    | 3780 | 199.31 | 1.95  | 7.9    | 3388 | 178.64 | 2.2   | 8.8    | 3059 | 161.28 | 2.4   | 6.3    | 4293 | 226.34 | 0.94  | 7.5    | 3575 | 188.50 | 1.13  | 8.1    | 3335 | 175.83 | 1.21  | 9.0    | 2981 | 157.16 | 1.36  | 10     | 2683 | 141.47 | 1.51  | 11     | 2430 | 128.12 | 1.66  | 12     | 2155 | 113.61 | 1.88  | 14     | 1948 | 102.72 | 2.1   | 16     | 1721 | 90.77  | 2.3   | 11     | 2544 | 134.16 | 1.11  | 12     | 2338 | 123.29 | 1.21  | 13     | 2077 | 109.49 | 1.36  | 15     | 1857 | 97.89 | 1.52  | 16     | 1669 | 88.01 | 1.69  | 19     | 1449 | 76.39 | 1.9   | 21     | 1297  | 68.40 | 2.2   | 25     | 1076  | 56.75 | 2.6   | 28     | 954   | 50.29 | 2.9   | 17     | 1622  | 85.52 | 0.87  | 19     | 1423  | 75.02 | 0.99  | 21     | 1257  | 66.28 | 1.12  | 24     | 1103  | 58.16 | 1.28  | 26     | 1045  | 55.12 | 1.35  | 29     | 915  | 48.24 | 1.54  | 33     | 824   | 43.46 | 1.71  | 37     | 723   | 38.12 | 1.95  | 39     | 694  | 36.52 | 1.5   | 45     | 598   | 31.45 | 2.2   | 49     | 545   | 28.59 | 2.5   | 56     | 484  | 25.50 | 2.9   | 66     | 406   | 21.43 | 3.5   | 33     | 819   | 43.20  | 0.94  | 36     | 745   | 39.26  | 0.98  | 42     | 645   | 34.01  | 1.08  | 44     | 608   | 32.08  | 1.27  | 52     | 520  | 27.41  | 1.48  | 57     | 477  | 25.13  | 1.62  | 64     | 418   | 22.05  | 1.84  | 68     | 396   | 20.90  | 1.94  | 78     | 347   | 18.29  | 2.2   | 86     | 313   | 16.48  | 2.5   | 98     | 274   | 14.46  | 2.8   | 2.5    | 19950 | 845    | 0.85  | 1.9    | 18038 | 764    | 0.94  | 2.1    | 16055 | 680    | 1.05  | 2.5    | 13599 | 576    | 1.24  | 3.2    | 10530 | 446    | 1.61 | 4.8    | 7107  | 301    | 2.4   | 5.3    | 6422 | 272    | 2.6   | 6.2    | 5454 | 231    | 3.1  | 7.3    | 4628  | 196    | 3.7   | 2.7    | 12796 | 542    | 0.88  | 2.9    | 11545 | 489    | 0.98 | 3.4    | 9987 | 423    | 1.13 | 3.9    | 8759 | 371    | 1.29 | 4.4    | 7720 | 327    | 0.94 | 5.1    | 6729 | 285    | 1.07 | 6.5    | 5218 | 221    | 1.38 | 4.2    | 8594 | 172.33 | 1.31 | 4.6    | 7721 | 154.81 | 1.46 | 5.7    | 6269 | 125.71 | 1.80 | 5.6    | 6365 | 255.25 | 1.16 | 6.7    | 5363 | 215.04 | 1.37 | 7.2    | 4970 | 199.31 | 1.48 | 8.1    | 4455 | 178.64 | 1.65 | 8.9    | 4022 | 161.28 | 1.83 | 9.8    | 3653 | 146.49 | 2.02 | 11     | 3241 | 129.97 | 2.3  | 12     | 2941 | 117.94 | 2.5  | 14     | 2528 |
| 3.8           | 7161       | 255.25   | 1.03                   | F 107       | 6       | 73            | 371        |          |                        | 19.56       | 1.01    | F 47   | 4     |        |      |        |       |        |      |        |       |        |      |        |       |        |      |        |       |        |      |        |       |        |      |        |       |        |      |       |       |        |      |        |       |        |      |        |       |        |      |        |       |        |      |        |       |        |      |        |       |        |      |        |       |        |      |        |       |        |      |        |       |        |      |        |       |        |      |        |       |        |      |        |       |        |      |        |       |        |      |        |       |        |      |        |       |        |      |        |       |        |      |        |       |        |      |        |       |        |      |        |       |        |      |        |       |        |      |        |       |        |      |        |       |        |      |        |       |        |      |        |       |        |      |       |       |        |      |       |       |        |      |       |       |        |       |       |       |        |       |       |       |        |       |       |       |        |       |       |       |        |       |       |       |        |       |       |       |        |       |       |       |        |       |       |       |        |      |       |       |        |       |       |       |        |       |       |       |        |      |       |       |        |       |       |       |        |       |       |       |        |      |       |       |        |       |       |       |        |       |        |       |        |       |        |       |        |       |        |       |        |       |        |       |        |      |        |       |        |      |        |       |        |       |        |       |        |       |        |       |        |       |        |       |        |       |        |       |        |       |        |       |        |       |        |       |        |       |        |       |        |       |        |       |        |       |        |       |        |       |        |      |        |       |        |       |        |      |        |       |        |      |        |      |        |       |        |       |        |       |        |       |        |       |        |      |        |      |        |      |        |      |        |      |        |      |        |      |        |      |        |      |        |      |        |      |        |      |        |      |        |      |        |      |        |      |        |      |        |      |        |      |        |      |        |      |        |      |        |      |        |      |        |      |        |      |        |      |        |      |        |      |        |      |        |      |        |      |        |      |        |      |
| 4.5           | 6033       | 215.04   | 1.22                   |             |         | 4.8           | 5591       |          |                        | 199.31      | 1.32    |        |       |        |      | 5.4    | 5011  | 178.64 | 1.47 |        |       | 5.6    | 4841 |        |       |        |      | 255.25 | 1.52  |        |      | F 107  | 4     | 83     | 326  | 17.21  | 1.15  |        |      |       |       |        |      | 6.6    | 4078  | 215.04 | 1.81 | 7.1    | 3780  | 199.31 | 1.95 |        |       |        |      |        |       |        |      | 7.9    | 3388  |        |      |        |       | 178.64 | 2.2  | 8.8    | 3059  | 161.28 | 2.4  | 6.3    | 4293  | 226.34 | 0.94 | 7.5    | 3575  | 188.50 | 1.13 | 8.1    | 3335  | 175.83 | 1.21 | 9.0    | 2981  | 157.16 | 1.36 | 10     | 2683  | 141.47 | 1.51 | 11     | 2430  | 128.12 | 1.66 | 12     | 2155  | 113.61 | 1.88 | 14     | 1948  | 102.72 | 2.1  | 16     | 1721  | 90.77  | 2.3  | 11     | 2544  | 134.16 | 1.11 | 12     | 2338  | 123.29 | 1.21 | 13     | 2077  | 109.49 | 1.36 | 15     | 1857  | 97.89  | 1.52 | 16     | 1669  | 88.01  | 1.69 | 19     | 1449  | 76.39  | 1.9  | 21     | 1297  | 68.40  | 2.2  | 25    | 1076  | 56.75  | 2.6  | 28    | 954   | 50.29  | 2.9  | 17    | 1622  | 85.52  | 0.87  | 19    | 1423  | 75.02  | 0.99  | 21    | 1257  | 66.28  | 1.12  | 24    | 1103  | 58.16  | 1.28  | 26    | 1045  | 55.12  | 1.35  | 29    | 915   | 48.24  | 1.54  | 33    | 824   | 43.46  | 1.71  | 37    | 723   | 38.12  | 1.95  | 39    | 694   | 36.52  | 1.5  | 45    | 598   | 31.45  | 2.2   | 49    | 545   | 28.59  | 2.5   | 56    | 484   | 25.50  | 2.9  | 66    | 406   | 21.43  | 3.5   | 33    | 819   | 43.20  | 0.94  | 36    | 745   | 39.26  | 0.98 | 42    | 645   | 34.01  | 1.08  | 44    | 608   | 32.08  | 1.27  | 52     | 520   | 27.41  | 1.48  | 57     | 477   | 25.13  | 1.62  | 64     | 418   | 22.05  | 1.84  | 68     | 396   | 20.90  | 1.94 | 78     | 347   | 18.29  | 2.2  | 86     | 313   | 16.48  | 2.5   | 98     | 274   | 14.46  | 2.8   | 2.5    | 19950 | 845    | 0.85  | 1.9    | 18038 | 764    | 0.94  | 2.1    | 16055 | 680    | 1.05  | 2.5    | 13599 | 576    | 1.24  | 3.2    | 10530 | 446    | 1.61  | 4.8    | 7107  | 301    | 2.4   | 5.3    | 6422  | 272    | 2.6   | 6.2    | 5454  | 231    | 3.1   | 7.3    | 4628 | 196    | 3.7   | 2.7    | 12796 | 542    | 0.88 | 2.9    | 11545 | 489    | 0.98 | 3.4    | 9987 | 423    | 1.13  | 3.9    | 8759  | 371    | 1.29  | 4.4    | 7720  | 327    | 0.94  | 5.1    | 6729 | 285    | 1.07 | 6.5    | 5218 | 221    | 1.38 | 4.2    | 8594 | 172.33 | 1.31 | 4.6    | 7721 | 154.81 | 1.46 | 5.7    | 6269 | 125.71 | 1.80 | 5.6    | 6365 | 255.25 | 1.16 | 6.7    | 5363 | 215.04 | 1.37 | 7.2    | 4970 | 199.31 | 1.48 | 8.1    | 4455 | 178.64 | 1.65 | 8.9    | 4022 | 161.28 | 1.83 | 9.8    | 3653 | 146.49 | 2.02 | 11     | 3241 | 129.97 | 2.3  | 12     | 2941 | 117.94 | 2.5  | 14     | 2528 | 101.38 | 2.9  |        |      |        |      |        |      |        |      |        |      |        |      |
| 4.8           | 5591       | 199.31   | 1.32                   |             |         | 5.4           | 5011       |          |                        | 178.64      | 1.47    |        |       | 5.6    | 4841 | 255.25 | 1.52  | F 107  | 4    |        |       | 83     | 326  |        |       |        |      | 17.21  | 1.15  |        |      |        |       | 6.6    | 4078 | 215.04 | 1.81  |        |      |       |       |        |      | 7.1    | 3780  | 199.31 | 1.95 | 7.9    | 3388  | 178.64 | 2.2  |        |       |        |      |        |       |        |      | 8.8    | 3059  | 161.28 | 2.4  |        |       | 6.3    | 4293 | 226.34 | 0.94  | 7.5    | 3575 | 188.50 | 1.13  | 8.1    | 3335 | 175.83 | 1.21  | 9.0    | 2981 | 157.16 | 1.36  | 10     | 2683 | 141.47 | 1.51  | 11     | 2430 | 128.12 | 1.66  | 12     | 2155 | 113.61 | 1.88  | 14     | 1948 | 102.72 | 2.1   | 16     | 1721 | 90.77  | 2.3   | 11     | 2544 | 134.16 | 1.11  | 12     | 2338 | 123.29 | 1.21  | 13     | 2077 | 109.49 | 1.36  | 15     | 1857 | 97.89  | 1.52  | 16     | 1669 | 88.01  | 1.69  | 19     | 1449 | 76.39  | 1.9   | 21     | 1297 | 68.40  | 2.2   | 25     | 1076 | 56.75  | 2.6   | 28     | 954  | 50.29 | 2.9   | 17     | 1622 | 85.52 | 0.87  | 19     | 1423 | 75.02 | 0.99  | 21     | 1257  | 66.28 | 1.12  | 24     | 1103  | 58.16 | 1.28  | 26     | 1045  | 55.12 | 1.35  | 29     | 915   | 48.24 | 1.54  | 33     | 824   | 43.46 | 1.71  | 37     | 723   | 38.12 | 1.95  | 39     | 694   | 36.52 | 1.5   | 45     | 598   | 31.45 | 2.2   | 49     | 545  | 28.59 | 2.5   | 56     | 484   | 25.50 | 2.9   | 66     | 406   | 21.43 | 3.5   | 33     | 819  | 43.20 | 0.94  | 36     | 745   | 39.26 | 0.98  | 42     | 645   | 34.01 | 1.08  | 44     | 608  | 32.08 | 1.27  | 52     | 520   | 27.41 | 1.48  | 57     | 477   | 25.13  | 1.62  | 64     | 418   | 22.05  | 1.84  | 68     | 396   | 20.90  | 1.94  | 78     | 347   | 18.29  | 2.2   | 86     | 313  | 16.48  | 2.5   | 98     | 274  | 14.46  | 2.8   | 2.5    | 19950 | 845    | 0.85  | 1.9    | 18038 | 764    | 0.94  | 2.1    | 16055 | 680    | 1.05  | 2.5    | 13599 | 576    | 1.24  | 3.2    | 10530 | 446    | 1.61  | 4.8    | 7107  | 301    | 2.4   | 5.3    | 6422  | 272    | 2.6   | 6.2    | 5454  | 231    | 3.1   | 7.3    | 4628  | 196    | 3.7   | 2.7    | 12796 | 542    | 0.88 | 2.9    | 11545 | 489    | 0.98  | 3.4    | 9987 | 423    | 1.13  | 3.9    | 8759 | 371    | 1.29 | 4.4    | 7720  | 327    | 0.94  | 5.1    | 6729  | 285    | 1.07  | 6.5    | 5218  | 221    | 1.38 | 4.2    | 8594 | 172.33 | 1.31 | 4.6    | 7721 | 154.81 | 1.46 | 5.7    | 6269 | 125.71 | 1.80 | 5.6    | 6365 | 255.25 | 1.16 | 6.7    | 5363 | 215.04 | 1.37 | 7.2    | 4970 | 199.31 | 1.48 | 8.1    | 4455 | 178.64 | 1.65 | 8.9    | 4022 | 161.28 | 1.83 | 9.8    | 3653 | 146.49 | 2.02 | 11     | 3241 | 129.97 | 2.3  | 12     | 2941 | 117.94 | 2.5  | 14     | 2528 | 101.38 | 2.9  |        |      |        |      |        |      |        |      |        |      |        |      |        |      |        |      |        |      |
| 5.4           | 5011       | 178.64   | 1.47                   |             |         | 5.6           | 4841       | 255.25   | 1.52                   | F 107       | 4       |        |       | 83     | 326  | 17.21  | 1.15  |        |      |        |       | 6.6    | 4078 |        |       |        |      | 215.04 | 1.81  |        |      |        |       | 7.1    | 3780 | 199.31 | 1.95  |        |      |       |       |        |      | 7.9    | 3388  | 178.64 | 2.2  | 8.8    | 3059  | 161.28 | 2.4  |        |       |        |      |        |       |        |      | 6.3    | 4293  | 226.34 | 0.94 | 7.5    | 3575  | 188.50 | 1.13 | 8.1    | 3335  | 175.83 | 1.21 | 9.0    | 2981  | 157.16 | 1.36 | 10     | 2683  | 141.47 | 1.51 | 11     | 2430  | 128.12 | 1.66 | 12     | 2155  | 113.61 | 1.88 | 14     | 1948  | 102.72 | 2.1  | 16     | 1721  | 90.77  | 2.3  | 11     | 2544  | 134.16 | 1.11 | 12     | 2338  | 123.29 | 1.21 | 13     | 2077  | 109.49 | 1.36 | 15     | 1857  | 97.89  | 1.52 | 16     | 1669  | 88.01  | 1.69 | 19     | 1449  | 76.39  | 1.9  | 21     | 1297  | 68.40  | 2.2  | 25     | 1076  | 56.75  | 2.6  | 28     | 954   | 50.29  | 2.9  | 17     | 1622  | 85.52  | 0.87 | 19    | 1423  | 75.02  | 0.99 | 21    | 1257  | 66.28  | 1.12 | 24    | 1103  | 58.16  | 1.28  | 26    | 1045  | 55.12  | 1.35  | 29    | 915   | 48.24  | 1.54  | 33    | 824   | 43.46  | 1.71  | 37    | 723   | 38.12  | 1.95  | 39    | 694   | 36.52  | 1.5   | 45    | 598   | 31.45  | 2.2   | 49    | 545   | 28.59  | 2.5   | 56    | 484   | 25.50  | 2.9  | 66    | 406   | 21.43  | 3.5   | 33    | 819   | 43.20  | 0.94  | 36    | 745   | 39.26  | 0.98 | 42    | 645   | 34.01  | 1.08  | 44    | 608   | 32.08  | 1.27  | 52    | 520   | 27.41  | 1.48 | 57    | 477   | 25.13  | 1.62  | 64    | 418   | 22.05  | 1.84  | 68     | 396   | 20.90  | 1.94  | 78     | 347   | 18.29  | 2.2   | 86     | 313   | 16.48  | 2.5   | 98     | 274   | 14.46  | 2.8  | 2.5    | 19950 | 845    | 0.85 | 1.9    | 18038 | 764    | 0.94  | 2.1    | 16055 | 680    | 1.05  | 2.5    | 13599 | 576    | 1.24  | 3.2    | 10530 | 446    | 1.61  | 4.8    | 7107  | 301    | 2.4   | 5.3    | 6422  | 272    | 2.6   | 6.2    | 5454  | 231    | 3.1   | 7.3    | 4628  | 196    | 3.7   | 2.7    | 12796 | 542    | 0.88  | 2.9    | 11545 | 489    | 0.98  | 3.4    | 9987 | 423    | 1.13  | 3.9    | 8759  | 371    | 1.29 | 4.4    | 7720  | 327    | 0.94 | 5.1    | 6729 | 285    | 1.07  | 6.5    | 5218  | 221    | 1.38  | 4.2    | 8594  | 172.33 | 1.31  | 4.6    | 7721 | 154.81 | 1.46 | 5.7    | 6269 | 125.71 | 1.80 | 5.6    | 6365 | 255.25 | 1.16 | 6.7    | 5363 | 215.04 | 1.37 | 7.2    | 4970 | 199.31 | 1.48 | 8.1    | 4455 | 178.64 | 1.65 | 8.9    | 4022 | 161.28 | 1.83 | 9.8    | 3653 | 146.49 | 2.02 | 11     | 3241 | 129.97 | 2.3  | 12     | 2941 | 117.94 | 2.5  | 14     | 2528 | 101.38 | 2.9  |        |      |        |      |        |      |        |      |        |      |        |      |        |      |        |      |        |      |        |      |        |      |        |      |
| 5.6           | 4841       | 255.25   | 1.52                   | F 107       | 4       | 83            | 326        | 17.21    | 1.15                   |             |         |        |       |        |      |        |       |        |      |        |       |        |      |        |       |        |      |        |       |        |      |        |       |        |      |        |       |        |      |       |       |        |      |        |       |        |      |        |       |        |      |        |       |        |      |        |       |        |      |        |       |        |      |        |       |        |      |        |       |        |      |        |       |        |      |        |       |        |      |        |       |        |      |        |       |        |      |        |       |        |      |        |       |        |      |        |       |        |      |        |       |        |      |        |       |        |      |        |       |        |      |        |       |        |      |        |       |        |      |        |       |        |      |        |       |        |      |        |       |        |      |        |       |        |      |       |       |        |      |       |       |        |      |       |       |        |       |       |       |        |       |       |       |        |       |       |       |        |       |       |       |        |       |       |       |        |       |       |       |        |       |       |       |        |       |       |       |        |      |       |       |        |       |       |       |        |       |       |       |        |      |       |       |        |       |       |       |        |       |       |       |        |      |       |       |        |       |       |       |        |       |        |       |        |       |        |       |        |       |        |       |        |       |        |       |        |      |        |       |        |      |        |       |        |       |        |       |        |       |        |       |        |       |        |       |        |       |        |       |        |       |        |       |        |       |        |       |        |       |        |       |        |       |        |       |        |       |        |       |        |       |        |      |        |       |        |       |        |      |        |       |        |      |        |      |        |       |        |       |        |       |        |       |        |       |        |      |        |      |        |      |        |      |        |      |        |      |        |      |        |      |        |      |        |      |        |      |        |      |        |      |        |      |        |      |        |      |        |      |        |      |        |      |        |      |        |      |        |      |        |      |        |      |        |      |        |      |        |      |        |      |        |      |        |      |        |      |        |      |        |      |        |      |
| 6.6           | 4078       | 215.04   | 1.81                   |             |         | 7.1           | 3780       | 199.31   | 1.95                   |             |         |        |       | 7.9    | 3388 | 178.64 | 2.2   |        |      |        |       | 8.8    | 3059 |        |       |        |      | 161.28 | 2.4   |        |      |        |       | 6.3    | 4293 | 226.34 | 0.94  |        |      |       |       |        |      | 7.5    | 3575  | 188.50 | 1.13 | 8.1    | 3335  | 175.83 | 1.21 |        |       |        |      | 9.0    | 2981  | 157.16 | 1.36 | 10     | 2683  | 141.47 | 1.51 | 11     | 2430  | 128.12 | 1.66 | 12     | 2155  | 113.61 | 1.88 | 14     | 1948  | 102.72 | 2.1  | 16     | 1721  | 90.77  | 2.3  | 11     | 2544  | 134.16 | 1.11 | 12     | 2338  | 123.29 | 1.21 | 13     | 2077  | 109.49 | 1.36 | 15     | 1857  | 97.89  | 1.52 | 16     | 1669  | 88.01  | 1.69 | 19     | 1449  | 76.39  | 1.9  | 21     | 1297  | 68.40  | 2.2  | 25     | 1076  | 56.75  | 2.6  | 28     | 954   | 50.29  | 2.9  | 17     | 1622  | 85.52  | 0.87 | 19     | 1423  | 75.02  | 0.99 | 21     | 1257  | 66.28  | 1.12 | 24     | 1103  | 58.16  | 1.28 | 26     | 1045  | 55.12  | 1.35 | 29    | 915   | 48.24  | 1.54 | 33    | 824   | 43.46  | 1.71 | 37    | 723   | 38.12  | 1.95  | 39    | 694   | 36.52  | 1.5   | 45    | 598   | 31.45  | 2.2   | 49    | 545   | 28.59  | 2.5   | 56    | 484   | 25.50  | 2.9   | 66    | 406   | 21.43  | 3.5   | 33    | 819   | 43.20  | 0.94  | 36    | 745   | 39.26  | 0.98  | 42    | 645   | 34.01  | 1.08 | 44    | 608   | 32.08  | 1.27  | 52    | 520   | 27.41  | 1.48  | 57    | 477   | 25.13  | 1.62 | 64    | 418   | 22.05  | 1.84  | 68    | 396   | 20.90  | 1.94  | 78    | 347   | 18.29  | 2.2  | 86    | 313   | 16.48  | 2.5   | 98    | 274   | 14.46  | 2.8   | 2.5    | 19950 | 845    | 0.85  | 1.9    | 18038 | 764    | 0.94  | 2.1    | 16055 | 680    | 1.05  | 2.5    | 13599 | 576    | 1.24 | 3.2    | 10530 | 446    | 1.61 | 4.8    | 7107  | 301    | 2.4   | 5.3    | 6422  | 272    | 2.6   | 6.2    | 5454  | 231    | 3.1   | 7.3    | 4628  | 196    | 3.7   | 2.7    | 12796 | 542    | 0.88  | 2.9    | 11545 | 489    | 0.98  | 3.4    | 9987  | 423    | 1.13  | 3.9    | 8759  | 371    | 1.29  | 4.4    | 7720  | 327    | 0.94  | 5.1    | 6729  | 285    | 1.07  | 6.5    | 5218 | 221    | 1.38  | 4.2    | 8594  | 172.33 | 1.31 | 4.6    | 7721  | 154.81 | 1.46 | 5.7    | 6269 | 125.71 | 1.80  | 5.6    | 6365  | 255.25 | 1.16  | 6.7    | 5363  | 215.04 | 1.37  | 7.2    | 4970 | 199.31 | 1.48 | 8.1    | 4455 | 178.64 | 1.65 | 8.9    | 4022 | 161.28 | 1.83 | 9.8    | 3653 | 146.49 | 2.02 | 11     | 3241 | 129.97 | 2.3  | 12     | 2941 | 117.94 | 2.5  | 14     | 2528 | 101.38 | 2.9  |        |      |        |      |        |      |        |      |        |      |        |      |        |      |        |      |        |      |        |      |        |      |        |      |        |      |        |      |        |      |        |      |        |      |        |      |        |      |        |      |
| 7.1           | 3780       | 199.31   | 1.95                   |             |         | 7.9           | 3388       | 178.64   | 2.2                    |             |         |        |       | 8.8    | 3059 | 161.28 | 2.4   |        |      |        |       | 6.3    | 4293 |        |       |        |      | 226.34 | 0.94  |        |      |        |       | 7.5    | 3575 | 188.50 | 1.13  |        |      |       |       |        |      | 8.1    | 3335  | 175.83 | 1.21 | 9.0    | 2981  | 157.16 | 1.36 |        |       | 10     | 2683 | 141.47 | 1.51  | 11     | 2430 | 128.12 | 1.66  | 12     | 2155 | 113.61 | 1.88  | 14     | 1948 | 102.72 | 2.1   | 16     | 1721 | 90.77  | 2.3   | 11     | 2544 | 134.16 | 1.11  | 12     | 2338 | 123.29 | 1.21  | 13     | 2077 | 109.49 | 1.36  | 15     | 1857 | 97.89  | 1.52  | 16     | 1669 | 88.01  | 1.69  | 19     | 1449 | 76.39  | 1.9   | 21     | 1297 | 68.40  | 2.2   | 25     | 1076 | 56.75  | 2.6   | 28     | 954  | 50.29  | 2.9   | 17     | 1622 | 85.52  | 0.87  | 19     | 1423 | 75.02  | 0.99  | 21     | 1257 | 66.28  | 1.12  | 24     | 1103 | 58.16  | 1.28  | 26     | 1045 | 55.12  | 1.35  | 29     | 915  | 48.24  | 1.54  | 33     | 824  | 43.46 | 1.71  | 37     | 723  | 38.12 | 1.95  | 39     | 694  | 36.52 | 1.5   | 45     | 598   | 31.45 | 2.2   | 49     | 545   | 28.59 | 2.5   | 56     | 484   | 25.50 | 2.9   | 66     | 406   | 21.43 | 3.5   | 33     | 819   | 43.20 | 0.94  | 36     | 745   | 39.26 | 0.98  | 42     | 645   | 34.01 | 1.08  | 44     | 608   | 32.08 | 1.27  | 52     | 520  | 27.41 | 1.48  | 57     | 477   | 25.13 | 1.62  | 64     | 418   | 22.05 | 1.84  | 68     | 396  | 20.90 | 1.94  | 78     | 347   | 18.29 | 2.2   | 86     | 313   | 16.48 | 2.5   | 98     | 274  | 14.46 | 2.8   | 2.5    | 19950 | 845   | 0.85  | 1.9    | 18038 | 764    | 0.94  | 2.1    | 16055 | 680    | 1.05  | 2.5    | 13599 | 576    | 1.24  | 3.2    | 10530 | 446    | 1.61  | 4.8    | 7107 | 301    | 2.4   | 5.3    | 6422 | 272    | 2.6   | 6.2    | 5454  | 231    | 3.1   | 7.3    | 4628  | 196    | 3.7   | 2.7    | 12796 | 542    | 0.88  | 2.9    | 11545 | 489    | 0.98  | 3.4    | 9987  | 423    | 1.13  | 3.9    | 8759  | 371    | 1.29  | 4.4    | 7720  | 327    | 0.94  | 5.1    | 6729  | 285    | 1.07  | 6.5    | 5218  | 221    | 1.38  | 4.2    | 8594  | 172.33 | 1.31 | 4.6    | 7721  | 154.81 | 1.46  | 5.7    | 6269 | 125.71 | 1.80  | 5.6    | 6365 | 255.25 | 1.16 | 6.7    | 5363  | 215.04 | 1.37  | 7.2    | 4970  | 199.31 | 1.48  | 8.1    | 4455  | 178.64 | 1.65 | 8.9    | 4022 | 161.28 | 1.83 | 9.8    | 3653 | 146.49 | 2.02 | 11     | 3241 | 129.97 | 2.3  | 12     | 2941 | 117.94 | 2.5  | 14     | 2528 | 101.38 | 2.9  |        |      |        |      |        |      |        |      |        |      |        |      |        |      |        |      |        |      |        |      |        |      |        |      |        |      |        |      |        |      |        |      |        |      |        |      |        |      |        |      |        |      |        |      |        |      |
| 7.9           | 3388       | 178.64   | 2.2                    |             |         | 8.8           | 3059       | 161.28   | 2.4                    |             |         |        |       | 6.3    | 4293 | 226.34 | 0.94  |        |      |        |       | 7.5    | 3575 |        |       |        |      | 188.50 | 1.13  |        |      |        |       | 8.1    | 3335 | 175.83 | 1.21  |        |      |       |       |        |      | 9.0    | 2981  | 157.16 | 1.36 | 10     | 2683  | 141.47 | 1.51 | 11     | 2430  | 128.12 | 1.66 | 12     | 2155  | 113.61 | 1.88 | 14     | 1948  | 102.72 | 2.1  | 16     | 1721  | 90.77  | 2.3  | 11     | 2544  | 134.16 | 1.11 | 12     | 2338  | 123.29 | 1.21 | 13     | 2077  | 109.49 | 1.36 | 15     | 1857  | 97.89  | 1.52 | 16     | 1669  | 88.01  | 1.69 | 19     | 1449  | 76.39  | 1.9  | 21     | 1297  | 68.40  | 2.2  | 25     | 1076  | 56.75  | 2.6  | 28     | 954   | 50.29  | 2.9  | 17     | 1622  | 85.52  | 0.87 | 19     | 1423  | 75.02  | 0.99 | 21     | 1257  | 66.28  | 1.12 | 24     | 1103  | 58.16  | 1.28 | 26     | 1045  | 55.12  | 1.35 | 29     | 915   | 48.24  | 1.54 | 33     | 824   | 43.46  | 1.71 | 37     | 723   | 38.12  | 1.95 | 39    | 694   | 36.52  | 1.5  | 45    | 598   | 31.45  | 2.2  | 49    | 545   | 28.59  | 2.5   | 56    | 484   | 25.50  | 2.9   | 66    | 406   | 21.43  | 3.5   | 33    | 819   | 43.20  | 0.94  | 36    | 745   | 39.26  | 0.98  | 42    | 645   | 34.01  | 1.08  | 44    | 608   | 32.08  | 1.27  | 52    | 520   | 27.41  | 1.48  | 57    | 477   | 25.13  | 1.62 | 64    | 418   | 22.05  | 1.84  | 68    | 396   | 20.90  | 1.94  | 78    | 347   | 18.29  | 2.2  | 86    | 313   | 16.48  | 2.5   | 98    | 274   | 14.46  | 2.8   | 2.5   | 19950 | 845    | 0.85 | 1.9   | 18038 | 764    | 0.94  | 2.1   | 16055 | 680    | 1.05  | 2.5    | 13599 | 576    | 1.24  | 3.2    | 10530 | 446    | 1.61  | 4.8    | 7107  | 301    | 2.4   | 5.3    | 6422  | 272    | 2.6  | 6.2    | 5454  | 231    | 3.1  | 7.3    | 4628  | 196    | 3.7   | 2.7    | 12796 | 542    | 0.88  | 2.9    | 11545 | 489    | 0.98  | 3.4    | 9987  | 423    | 1.13  | 3.9    | 8759  | 371    | 1.29  | 4.4    | 7720  | 327    | 0.94  | 5.1    | 6729  | 285    | 1.07  | 6.5    | 5218  | 221    | 1.38  | 4.2    | 8594  | 172.33 | 1.31  | 4.6    | 7721  | 154.81 | 1.46  | 5.7    | 6269 | 125.71 | 1.80  | 5.6    | 6365  | 255.25 | 1.16 | 6.7    | 5363  | 215.04 | 1.37 | 7.2    | 4970 | 199.31 | 1.48  | 8.1    | 4455  | 178.64 | 1.65  | 8.9    | 4022  | 161.28 | 1.83  | 9.8    | 3653 | 146.49 | 2.02 | 11     | 3241 | 129.97 | 2.3  | 12     | 2941 | 117.94 | 2.5  | 14     | 2528 | 101.38 | 2.9  |        |      |        |      |        |      |        |      |        |      |        |      |        |      |        |      |        |      |        |      |        |      |        |      |        |      |        |      |        |      |        |      |        |      |        |      |        |      |        |      |        |      |        |      |        |      |        |      |        |      |        |      |
| 8.8           | 3059       | 161.28   | 2.4                    |             |         | 6.3           | 4293       | 226.34   | 0.94                   |             |         |        |       | 7.5    | 3575 | 188.50 | 1.13  |        |      |        |       | 8.1    | 3335 |        |       |        |      | 175.83 | 1.21  |        |      |        |       | 9.0    | 2981 | 157.16 | 1.36  |        |      |       |       |        |      | 10     | 2683  | 141.47 | 1.51 | 11     | 2430  | 128.12 | 1.66 | 12     | 2155  | 113.61 | 1.88 | 14     | 1948  | 102.72 | 2.1  | 16     | 1721  | 90.77  | 2.3  | 11     | 2544  | 134.16 | 1.11 | 12     | 2338  | 123.29 | 1.21 | 13     | 2077  | 109.49 | 1.36 | 15     | 1857  | 97.89  | 1.52 | 16     | 1669  | 88.01  | 1.69 | 19     | 1449  | 76.39  | 1.9  | 21     | 1297  | 68.40  | 2.2  | 25     | 1076  | 56.75  | 2.6  | 28     | 954   | 50.29  | 2.9  | 17     | 1622  | 85.52  | 0.87 | 19     | 1423  | 75.02  | 0.99 | 21     | 1257  | 66.28  | 1.12 | 24     | 1103  | 58.16  | 1.28 | 26     | 1045  | 55.12  | 1.35 | 29     | 915   | 48.24  | 1.54 | 33     | 824   | 43.46  | 1.71 | 37     | 723   | 38.12  | 1.95 | 39     | 694   | 36.52  | 1.5  | 45    | 598   | 31.45  | 2.2  | 49    | 545   | 28.59  | 2.5  | 56    | 484   | 25.50  | 2.9   | 66    | 406   | 21.43  | 3.5   | 33    | 819   | 43.20  | 0.94  | 36    | 745   | 39.26  | 0.98  | 42    | 645   | 34.01  | 1.08  | 44    | 608   | 32.08  | 1.27  | 52    | 520   | 27.41  | 1.48  | 57    | 477   | 25.13  | 1.62  | 64    | 418   | 22.05  | 1.84 | 68    | 396   | 20.90  | 1.94  | 78    | 347   | 18.29  | 2.2   | 86    | 313   | 16.48  | 2.5  | 98    | 274   | 14.46  | 2.8   | 2.5   | 19950 | 845    | 0.85  | 1.9   | 18038 | 764    | 0.94 | 2.1   | 16055 | 680    | 1.05  | 2.5   | 13599 | 576    | 1.24  | 3.2    | 10530 | 446    | 1.61  | 4.8    | 7107  | 301    | 2.4   | 5.3    | 6422  | 272    | 2.6   | 6.2    | 5454  | 231    | 3.1  | 7.3    | 4628  | 196    | 3.7  | 2.7    | 12796 | 542    | 0.88  | 2.9    | 11545 | 489    | 0.98  | 3.4    | 9987  | 423    | 1.13  | 3.9    | 8759  | 371    | 1.29  | 4.4    | 7720  | 327    | 0.94  | 5.1    | 6729  | 285    | 1.07  | 6.5    | 5218  | 221    | 1.38  | 4.2    | 8594  | 172.33 | 1.31  | 4.6    | 7721  | 154.81 | 1.46  | 5.7    | 6269  | 125.71 | 1.80  | 5.6    | 6365 | 255.25 | 1.16  | 6.7    | 5363  | 215.04 | 1.37 | 7.2    | 4970  | 199.31 | 1.48 | 8.1    | 4455 | 178.64 | 1.65  | 8.9    | 4022  | 161.28 | 1.83  | 9.8    | 3653  | 146.49 | 2.02  | 11     | 3241 | 129.97 | 2.3  | 12     | 2941 | 117.94 | 2.5  | 14     | 2528 | 101.38 | 2.9  |        |      |        |      |        |      |        |      |        |      |        |      |        |      |        |      |        |      |        |      |        |      |        |      |        |      |        |      |        |      |        |      |        |      |        |      |        |      |        |      |        |      |        |      |        |      |        |      |        |      |        |      |        |      |        |      |
| 6.3           | 4293       | 226.34   | 0.94                   |             |         | 7.5           | 3575       | 188.50   | 1.13                   |             |         |        |       | 8.1    | 3335 | 175.83 | 1.21  |        |      |        |       | 9.0    | 2981 |        |       |        |      | 157.16 | 1.36  |        |      | 10     | 2683  | 141.47 | 1.51 | 11     | 2430  |        |      |       |       | 128.12 | 1.66 | 12     | 2155  | 113.61 | 1.88 | 14     | 1948  | 102.72 | 2.1  | 16     | 1721  | 90.77  | 2.3  | 11     | 2544  | 134.16 | 1.11 | 12     | 2338  | 123.29 | 1.21 | 13     | 2077  | 109.49 | 1.36 | 15     | 1857  | 97.89  | 1.52 | 16     | 1669  | 88.01  | 1.69 | 19     | 1449  | 76.39  | 1.9  | 21     | 1297  | 68.40  | 2.2  | 25     | 1076  | 56.75  | 2.6  | 28     | 954   | 50.29  | 2.9  | 17     | 1622  | 85.52  | 0.87 | 19     | 1423  | 75.02  | 0.99 | 21     | 1257  | 66.28  | 1.12 | 24     | 1103  | 58.16  | 1.28 | 26     | 1045  | 55.12  | 1.35 | 29     | 915   | 48.24  | 1.54 | 33     | 824   | 43.46  | 1.71 | 37     | 723   | 38.12  | 1.95 | 39     | 694   | 36.52  | 1.5  | 45     | 598   | 31.45  | 2.2  | 49     | 545   | 28.59  | 2.5  | 56    | 484   | 25.50  | 2.9  | 66    | 406   | 21.43  | 3.5  | 33    | 819   | 43.20  | 0.94  | 36    | 745   | 39.26  | 0.98  | 42    | 645   | 34.01  | 1.08  | 44    | 608   | 32.08  | 1.27  | 52    | 520   | 27.41  | 1.48  | 57    | 477   | 25.13  | 1.62  | 64    | 418   | 22.05  | 1.84  | 68    | 396   | 20.90  | 1.94  | 78    | 347   | 18.29  | 2.2  | 86    | 313   | 16.48  | 2.5   | 98    | 274   | 14.46  | 2.8   | 2.5   | 19950 | 845    | 0.85 | 1.9   | 18038 | 764    | 0.94  | 2.1   | 16055 | 680    | 1.05  | 2.5   | 13599 | 576    | 1.24 | 3.2   | 10530 | 446    | 1.61  | 4.8   | 7107  | 301    | 2.4   | 5.3    | 6422  | 272    | 2.6   | 6.2    | 5454  | 231    | 3.1   | 7.3    | 4628  | 196    | 3.7   | 2.7    | 12796 | 542    | 0.88 | 2.9    | 11545 | 489    | 0.98 | 3.4    | 9987  | 423    | 1.13  | 3.9    | 8759  | 371    | 1.29  | 4.4    | 7720  | 327    | 0.94  | 5.1    | 6729  | 285    | 1.07  | 6.5    | 5218  | 221    | 1.38  | 4.2    | 8594  | 172.33 | 1.31  | 4.6    | 7721  | 154.81 | 1.46  | 5.7    | 6269  | 125.71 | 1.80  | 5.6    | 6365  | 255.25 | 1.16  | 6.7    | 5363  | 215.04 | 1.37  | 7.2    | 4970 | 199.31 | 1.48  | 8.1    | 4455  | 178.64 | 1.65 | 8.9    | 4022  | 161.28 | 1.83 | 9.8    | 3653 | 146.49 | 2.02  | 11     | 3241  | 129.97 | 2.3   | 12     | 2941  | 117.94 | 2.5   | 14     | 2528 | 101.38 | 2.9  |        |      |        |      |        |      |        |      |        |      |        |      |        |      |        |      |        |      |        |      |        |      |        |      |        |      |        |      |        |      |        |      |        |      |        |      |        |      |        |      |        |      |        |      |        |      |        |      |        |      |        |      |        |      |        |      |        |      |        |      |        |      |        |      |
| 7.5           | 3575       | 188.50   | 1.13                   |             |         | 8.1           | 3335       | 175.83   | 1.21                   |             |         |        |       | 9.0    | 2981 | 157.16 | 1.36  | 10     | 2683 |        |       | 141.47 | 1.51 |        |       |        |      | 11     | 2430  |        |      | 128.12 | 1.66  | 12     | 2155 | 113.61 | 1.88  |        |      | 14    | 1948  | 102.72 | 2.1  | 16     | 1721  | 90.77  | 2.3  | 11     | 2544  | 134.16 | 1.11 | 12     | 2338  | 123.29 | 1.21 | 13     | 2077  | 109.49 | 1.36 | 15     | 1857  | 97.89  | 1.52 | 16     | 1669  | 88.01  | 1.69 | 19     | 1449  | 76.39  | 1.9  | 21     | 1297  | 68.40  | 2.2  | 25     | 1076  | 56.75  | 2.6  | 28     | 954   | 50.29  | 2.9  | 17     | 1622  | 85.52  | 0.87 | 19     | 1423  | 75.02  | 0.99 | 21     | 1257  | 66.28  | 1.12 | 24     | 1103  | 58.16  | 1.28 | 26     | 1045  | 55.12  | 1.35 | 29     | 915   | 48.24  | 1.54 | 33     | 824   | 43.46  | 1.71 | 37     | 723   | 38.12  | 1.95 | 39     | 694   | 36.52  | 1.5  | 45     | 598   | 31.45  | 2.2  | 49     | 545   | 28.59  | 2.5  | 56     | 484   | 25.50  | 2.9  | 66     | 406   | 21.43  | 3.5  | 33    | 819   | 43.20  | 0.94 | 36    | 745   | 39.26  | 0.98 | 42    | 645   | 34.01  | 1.08  | 44    | 608   | 32.08  | 1.27  | 52    | 520   | 27.41  | 1.48  | 57    | 477   | 25.13  | 1.62  | 64    | 418   | 22.05  | 1.84  | 68    | 396   | 20.90  | 1.94  | 78    | 347   | 18.29  | 2.2   | 86    | 313   | 16.48  | 2.5   | 98    | 274   | 14.46  | 2.8  | 2.5   | 19950 | 845    | 0.85  | 1.9   | 18038 | 764    | 0.94  | 2.1   | 16055 | 680    | 1.05 | 2.5   | 13599 | 576    | 1.24  | 3.2   | 10530 | 446    | 1.61  | 4.8   | 7107  | 301    | 2.4  | 5.3   | 6422  | 272    | 2.6   | 6.2   | 5454  | 231    | 3.1   | 7.3    | 4628  | 196    | 3.7   | 2.7    | 12796 | 542    | 0.88  | 2.9    | 11545 | 489    | 0.98  | 3.4    | 9987  | 423    | 1.13 | 3.9    | 8759  | 371    | 1.29 | 4.4    | 7720  | 327    | 0.94  | 5.1    | 6729  | 285    | 1.07  | 6.5    | 5218  | 221    | 1.38  | 4.2    | 8594  | 172.33 | 1.31  | 4.6    | 7721  | 154.81 | 1.46  | 5.7    | 6269  | 125.71 | 1.80  | 5.6    | 6365  | 255.25 | 1.16  | 6.7    | 5363  | 215.04 | 1.37  | 7.2    | 4970  | 199.31 | 1.48  | 8.1    | 4455  | 178.64 | 1.65  | 8.9    | 4022 | 161.28 | 1.83  | 9.8    | 3653  | 146.49 | 2.02 | 11     | 3241  | 129.97 | 2.3  | 12     | 2941 | 117.94 | 2.5   | 14     | 2528  | 101.38 | 2.9   |        |       |        |       |        |      |        |      |        |      |        |      |        |      |        |      |        |      |        |      |        |      |        |      |        |      |        |      |        |      |        |      |        |      |        |      |        |      |        |      |        |      |        |      |        |      |        |      |        |      |        |      |        |      |        |      |        |      |        |      |        |      |        |      |        |      |        |      |        |      |        |      |
| 8.1           | 3335       | 175.83   | 1.21                   |             |         | 9.0           | 2981       | 157.16   | 1.36                   | 10          | 2683    |        |       | 141.47 | 1.51 | 11     | 2430  | 128.12 | 1.66 |        |       | 12     | 2155 |        |       |        |      | 113.61 | 1.88  |        |      | 14     | 1948  | 102.72 | 2.1  | 16     | 1721  | 90.77  | 2.3  | 11    | 2544  | 134.16 | 1.11 | 12     | 2338  | 123.29 | 1.21 | 13     | 2077  | 109.49 | 1.36 | 15     | 1857  | 97.89  | 1.52 | 16     | 1669  | 88.01  | 1.69 | 19     | 1449  | 76.39  | 1.9  | 21     | 1297  | 68.40  | 2.2  | 25     | 1076  | 56.75  | 2.6  | 28     | 954   | 50.29  | 2.9  | 17     | 1622  | 85.52  | 0.87 | 19     | 1423  | 75.02  | 0.99 | 21     | 1257  | 66.28  | 1.12 | 24     | 1103  | 58.16  | 1.28 | 26     | 1045  | 55.12  | 1.35 | 29     | 915   | 48.24  | 1.54 | 33     | 824   | 43.46  | 1.71 | 37     | 723   | 38.12  | 1.95 | 39     | 694   | 36.52  | 1.5  | 45     | 598   | 31.45  | 2.2  | 49     | 545   | 28.59  | 2.5  | 56     | 484   | 25.50  | 2.9  | 66     | 406   | 21.43  | 3.5  | 33     | 819   | 43.20  | 0.94 | 36     | 745   | 39.26  | 0.98 | 42    | 645   | 34.01  | 1.08 | 44    | 608   | 32.08  | 1.27 | 52    | 520   | 27.41  | 1.48  | 57    | 477   | 25.13  | 1.62  | 64    | 418   | 22.05  | 1.84  | 68    | 396   | 20.90  | 1.94  | 78    | 347   | 18.29  | 2.2   | 86    | 313   | 16.48  | 2.5   | 98    | 274   | 14.46  | 2.8   | 2.5   | 19950 | 845    | 0.85  | 1.9   | 18038 | 764    | 0.94 | 2.1   | 16055 | 680    | 1.05  | 2.5   | 13599 | 576    | 1.24  | 3.2   | 10530 | 446    | 1.61 | 4.8   | 7107  | 301    | 2.4   | 5.3   | 6422  | 272    | 2.6   | 6.2   | 5454  | 231    | 3.1  | 7.3   | 4628  | 196    | 3.7   | 2.7   | 12796 | 542    | 0.88  | 2.9    | 11545 | 489    | 0.98  | 3.4    | 9987  | 423    | 1.13  | 3.9    | 8759  | 371    | 1.29  | 4.4    | 7720  | 327    | 0.94 | 5.1    | 6729  | 285    | 1.07 | 6.5    | 5218  | 221    | 1.38  | 4.2    | 8594  | 172.33 | 1.31  | 4.6    | 7721  | 154.81 | 1.46  | 5.7    | 6269  | 125.71 | 1.80  | 5.6    | 6365  | 255.25 | 1.16  | 6.7    | 5363  | 215.04 | 1.37  | 7.2    | 4970  | 199.31 | 1.48  | 8.1    | 4455  | 178.64 | 1.65  | 8.9    | 4022  | 161.28 | 1.83  | 9.8    | 3653  | 146.49 | 2.02  | 11     | 3241 | 129.97 | 2.3   | 12     | 2941  | 117.94 | 2.5  | 14     | 2528  | 101.38 | 2.9  |        |      |        |       |        |       |        |       |        |       |        |       |        |      |        |      |        |      |        |      |        |      |        |      |        |      |        |      |        |      |        |      |        |      |        |      |        |      |        |      |        |      |        |      |        |      |        |      |        |      |        |      |        |      |        |      |        |      |        |      |        |      |        |      |        |      |        |      |        |      |        |      |        |      |        |      |        |      |        |      |
| 9.0           | 2981       | 157.16   | 1.36                   | 10          | 2683    | 141.47        | 1.51       | 11       | 2430                   | 128.12      | 1.66    |        |       | 12     | 2155 | 113.61 | 1.88  | 14     | 1948 |        |       | 102.72 | 2.1  |        |       |        |      | 16     | 1721  | 90.77  | 2.3  | 11     | 2544  | 134.16 | 1.11 | 12     | 2338  | 123.29 | 1.21 | 13    | 2077  | 109.49 | 1.36 | 15     | 1857  | 97.89  | 1.52 | 16     | 1669  | 88.01  | 1.69 | 19     | 1449  | 76.39  | 1.9  | 21     | 1297  | 68.40  | 2.2  | 25     | 1076  | 56.75  | 2.6  | 28     | 954   | 50.29  | 2.9  | 17     | 1622  | 85.52  | 0.87 | 19     | 1423  | 75.02  | 0.99 | 21     | 1257  | 66.28  | 1.12 | 24     | 1103  | 58.16  | 1.28 | 26     | 1045  | 55.12  | 1.35 | 29     | 915   | 48.24  | 1.54 | 33     | 824   | 43.46  | 1.71 | 37     | 723   | 38.12  | 1.95 | 39     | 694   | 36.52  | 1.5  | 45     | 598   | 31.45  | 2.2  | 49     | 545   | 28.59  | 2.5  | 56     | 484   | 25.50  | 2.9  | 66     | 406   | 21.43  | 3.5  | 33     | 819   | 43.20  | 0.94 | 36     | 745   | 39.26  | 0.98 | 42     | 645   | 34.01  | 1.08 | 44     | 608   | 32.08  | 1.27 | 52    | 520   | 27.41  | 1.48 | 57    | 477   | 25.13  | 1.62 | 64    | 418   | 22.05  | 1.84  | 68    | 396   | 20.90  | 1.94  | 78    | 347   | 18.29  | 2.2   | 86    | 313   | 16.48  | 2.5   | 98    | 274   | 14.46  | 2.8   | 2.5   | 19950 | 845    | 0.85  | 1.9   | 18038 | 764    | 0.94  | 2.1   | 16055 | 680    | 1.05  | 2.5   | 13599 | 576    | 1.24 | 3.2   | 10530 | 446    | 1.61  | 4.8   | 7107  | 301    | 2.4   | 5.3   | 6422  | 272    | 2.6  | 6.2   | 5454  | 231    | 3.1   | 7.3   | 4628  | 196    | 3.7   | 2.7   | 12796 | 542    | 0.88 | 2.9   | 11545 | 489    | 0.98  | 3.4   | 9987  | 423    | 1.13  | 3.9    | 8759  | 371    | 1.29  | 4.4    | 7720  | 327    | 0.94  | 5.1    | 6729  | 285    | 1.07  | 6.5    | 5218  | 221    | 1.38 | 4.2    | 8594  | 172.33 | 1.31 | 4.6    | 7721  | 154.81 | 1.46  | 5.7    | 6269  | 125.71 | 1.80  | 5.6    | 6365  | 255.25 | 1.16  | 6.7    | 5363  | 215.04 | 1.37  | 7.2    | 4970  | 199.31 | 1.48  | 8.1    | 4455  | 178.64 | 1.65  | 8.9    | 4022  | 161.28 | 1.83  | 9.8    | 3653  | 146.49 | 2.02  | 11     | 3241  | 129.97 | 2.3   | 12     | 2941  | 117.94 | 2.5   | 14     | 2528 | 101.38 | 2.9   |        |       |        |      |        |       |        |      |        |      |        |       |        |       |        |       |        |       |        |       |        |      |        |      |        |      |        |      |        |      |        |      |        |      |        |      |        |      |        |      |        |      |        |      |        |      |        |      |        |      |        |      |        |      |        |      |        |      |        |      |        |      |        |      |        |      |        |      |        |      |        |      |        |      |        |      |        |      |        |      |        |      |        |      |        |      |        |      |
| 10            | 2683       | 141.47   | 1.51                   | 11          | 2430    | 128.12        | 1.66       | 12       | 2155                   | 113.61      | 1.88    |        |       | 14     | 1948 | 102.72 | 2.1   | 16     | 1721 |        |       | 90.77  | 2.3  |        |       | 11     | 2544 | 134.16 | 1.11  | 12     | 2338 | 123.29 | 1.21  | 13     | 2077 | 109.49 | 1.36  | 15     | 1857 | 97.89 | 1.52  | 16     | 1669 | 88.01  | 1.69  | 19     | 1449 | 76.39  | 1.9   | 21     | 1297 | 68.40  | 2.2   | 25     | 1076 | 56.75  | 2.6   | 28     | 954  | 50.29  | 2.9   | 17     | 1622 | 85.52  | 0.87  | 19     | 1423 | 75.02  | 0.99  | 21     | 1257 | 66.28  | 1.12  | 24     | 1103 | 58.16  | 1.28  | 26     | 1045 | 55.12  | 1.35  | 29     | 915  | 48.24  | 1.54  | 33     | 824  | 43.46  | 1.71  | 37     | 723  | 38.12  | 1.95  | 39     | 694  | 36.52  | 1.5   | 45     | 598  | 31.45  | 2.2   | 49     | 545  | 28.59  | 2.5   | 56     | 484  | 25.50  | 2.9   | 66     | 406  | 21.43  | 3.5   | 33     | 819  | 43.20  | 0.94  | 36     | 745  | 39.26  | 0.98  | 42     | 645  | 34.01  | 1.08  | 44     | 608  | 32.08  | 1.27  | 52     | 520  | 27.41  | 1.48  | 57     | 477  | 25.13 | 1.62  | 64     | 418  | 22.05 | 1.84  | 68     | 396  | 20.90 | 1.94  | 78     | 347   | 18.29 | 2.2   | 86     | 313   | 16.48 | 2.5   | 98     | 274   | 14.46 | 2.8   | 2.5    | 19950 | 845   | 0.85  | 1.9    | 18038 | 764   | 0.94  | 2.1    | 16055 | 680   | 1.05  | 2.5    | 13599 | 576   | 1.24  | 3.2    | 10530 | 446   | 1.61  | 4.8    | 7107 | 301   | 2.4   | 5.3    | 6422  | 272   | 2.6   | 6.2    | 5454  | 231   | 3.1   | 7.3    | 4628 | 196   | 3.7   | 2.7    | 12796 | 542   | 0.88  | 2.9    | 11545 | 489   | 0.98  | 3.4    | 9987 | 423   | 1.13  | 3.9    | 8759  | 371   | 1.29  | 4.4    | 7720  | 327    | 0.94  | 5.1    | 6729  | 285    | 1.07  | 6.5    | 5218  | 221    | 1.38  | 4.2    | 8594  | 172.33 | 1.31  | 4.6    | 7721 | 154.81 | 1.46  | 5.7    | 6269 | 125.71 | 1.80  | 5.6    | 6365  | 255.25 | 1.16  | 6.7    | 5363  | 215.04 | 1.37  | 7.2    | 4970  | 199.31 | 1.48  | 8.1    | 4455  | 178.64 | 1.65  | 8.9    | 4022  | 161.28 | 1.83  | 9.8    | 3653  | 146.49 | 2.02  | 11     | 3241  | 129.97 | 2.3   | 12     | 2941  | 117.94 | 2.5   | 14     | 2528  | 101.38 | 2.9   |        |       |        |      |        |       |        |       |        |      |        |       |        |      |        |      |        |       |        |       |        |       |        |       |        |       |        |      |        |      |        |      |        |      |        |      |        |      |        |      |        |      |        |      |        |      |        |      |        |      |        |      |        |      |        |      |        |      |        |      |        |      |        |      |        |      |        |      |        |      |        |      |        |      |        |      |        |      |        |      |        |      |        |      |        |      |        |      |        |      |        |      |        |      |
| 11            | 2430       | 128.12   | 1.66                   | 12          | 2155    | 113.61        | 1.88       | 14       | 1948                   | 102.72      | 2.1     |        |       | 16     | 1721 | 90.77  | 2.3   | 11     | 2544 |        |       | 134.16 | 1.11 | 12     | 2338  | 123.29 | 1.21 | 13     | 2077  | 109.49 | 1.36 | 15     | 1857  | 97.89  | 1.52 | 16     | 1669  | 88.01  | 1.69 | 19    | 1449  | 76.39  | 1.9  | 21     | 1297  | 68.40  | 2.2  | 25     | 1076  | 56.75  | 2.6  | 28     | 954   | 50.29  | 2.9  | 17     | 1622  | 85.52  | 0.87 | 19     | 1423  | 75.02  | 0.99 | 21     | 1257  | 66.28  | 1.12 | 24     | 1103  | 58.16  | 1.28 | 26     | 1045  | 55.12  | 1.35 | 29     | 915   | 48.24  | 1.54 | 33     | 824   | 43.46  | 1.71 | 37     | 723   | 38.12  | 1.95 | 39     | 694   | 36.52  | 1.5  | 45     | 598   | 31.45  | 2.2  | 49     | 545   | 28.59  | 2.5  | 56     | 484   | 25.50  | 2.9  | 66     | 406   | 21.43  | 3.5  | 33     | 819   | 43.20  | 0.94 | 36     | 745   | 39.26  | 0.98 | 42     | 645   | 34.01  | 1.08 | 44     | 608   | 32.08  | 1.27 | 52     | 520   | 27.41  | 1.48 | 57     | 477   | 25.13  | 1.62 | 64     | 418   | 22.05  | 1.84 | 68    | 396   | 20.90  | 1.94 | 78    | 347   | 18.29  | 2.2  | 86    | 313   | 16.48  | 2.5   | 98    | 274   | 14.46  | 2.8   | 2.5   | 19950 | 845    | 0.85  | 1.9   | 18038 | 764    | 0.94  | 2.1   | 16055 | 680    | 1.05  | 2.5   | 13599 | 576    | 1.24  | 3.2   | 10530 | 446    | 1.61  | 4.8   | 7107  | 301    | 2.4   | 5.3   | 6422  | 272    | 2.6  | 6.2   | 5454  | 231    | 3.1   | 7.3   | 4628  | 196    | 3.7   | 2.7   | 12796 | 542    | 0.88 | 2.9   | 11545 | 489    | 0.98  | 3.4   | 9987  | 423    | 1.13  | 3.9   | 8759  | 371    | 1.29 | 4.4   | 7720  | 327    | 0.94  | 5.1   | 6729  | 285    | 1.07  | 6.5    | 5218  | 221    | 1.38  | 4.2    | 8594  | 172.33 | 1.31  | 4.6    | 7721  | 154.81 | 1.46  | 5.7    | 6269  | 125.71 | 1.80 | 5.6    | 6365  | 255.25 | 1.16 | 6.7    | 5363  | 215.04 | 1.37  | 7.2    | 4970  | 199.31 | 1.48  | 8.1    | 4455  | 178.64 | 1.65  | 8.9    | 4022  | 161.28 | 1.83  | 9.8    | 3653  | 146.49 | 2.02  | 11     | 3241  | 129.97 | 2.3   | 12     | 2941  | 117.94 | 2.5   | 14     | 2528  | 101.38 | 2.9   |        |       |        |       |        |       |        |       |        |      |        |       |        |       |        |      |        |       |        |      |        |      |        |       |        |       |        |       |        |       |        |       |        |      |        |      |        |      |        |      |        |      |        |      |        |      |        |      |        |      |        |      |        |      |        |      |        |      |        |      |        |      |        |      |        |      |        |      |        |      |        |      |        |      |        |      |        |      |        |      |        |      |        |      |        |      |        |      |        |      |        |      |        |      |        |      |        |      |        |      |
| 12            | 2155       | 113.61   | 1.88                   | 14          | 1948    | 102.72        | 2.1        | 16       | 1721                   | 90.77       | 2.3     |        |       | 11     | 2544 | 134.16 | 1.11  | 12     | 2338 | 123.29 | 1.21  | 13     | 2077 | 109.49 | 1.36  | 15     | 1857 | 97.89  | 1.52  | 16     | 1669 | 88.01  | 1.69  | 19     | 1449 | 76.39  | 1.9   | 21     | 1297 | 68.40 | 2.2   | 25     | 1076 | 56.75  | 2.6   | 28     | 954  | 50.29  | 2.9   | 17     | 1622 | 85.52  | 0.87  | 19     | 1423 | 75.02  | 0.99  | 21     | 1257 | 66.28  | 1.12  | 24     | 1103 | 58.16  | 1.28  | 26     | 1045 | 55.12  | 1.35  | 29     | 915  | 48.24  | 1.54  | 33     | 824  | 43.46  | 1.71  | 37     | 723  | 38.12  | 1.95  | 39     | 694  | 36.52  | 1.5   | 45     | 598  | 31.45  | 2.2   | 49     | 545  | 28.59  | 2.5   | 56     | 484  | 25.50  | 2.9   | 66     | 406  | 21.43  | 3.5   | 33     | 819  | 43.20  | 0.94  | 36     | 745  | 39.26  | 0.98  | 42     | 645  | 34.01  | 1.08  | 44     | 608  | 32.08  | 1.27  | 52     | 520  | 27.41  | 1.48  | 57     | 477  | 25.13  | 1.62  | 64     | 418  | 22.05  | 1.84  | 68     | 396  | 20.90  | 1.94  | 78     | 347  | 18.29 | 2.2   | 86     | 313  | 16.48 | 2.5   | 98     | 274  | 14.46 | 2.8   | 2.5    | 19950 | 845   | 0.85  | 1.9    | 18038 | 764   | 0.94  | 2.1    | 16055 | 680   | 1.05  | 2.5    | 13599 | 576   | 1.24  | 3.2    | 10530 | 446   | 1.61  | 4.8    | 7107  | 301   | 2.4   | 5.3    | 6422  | 272   | 2.6   | 6.2    | 5454  | 231   | 3.1   | 7.3    | 4628 | 196   | 3.7   | 2.7    | 12796 | 542   | 0.88  | 2.9    | 11545 | 489   | 0.98  | 3.4    | 9987 | 423   | 1.13  | 3.9    | 8759  | 371   | 1.29  | 4.4    | 7720  | 327   | 0.94  | 5.1    | 6729 | 285   | 1.07  | 6.5    | 5218  | 221   | 1.38  | 4.2    | 8594  | 172.33 | 1.31  | 4.6    | 7721  | 154.81 | 1.46  | 5.7    | 6269  | 125.71 | 1.80  | 5.6    | 6365  | 255.25 | 1.16  | 6.7    | 5363 | 215.04 | 1.37  | 7.2    | 4970 | 199.31 | 1.48  | 8.1    | 4455  | 178.64 | 1.65  | 8.9    | 4022  | 161.28 | 1.83  | 9.8    | 3653  | 146.49 | 2.02  | 11     | 3241  | 129.97 | 2.3   | 12     | 2941  | 117.94 | 2.5   | 14     | 2528  | 101.38 | 2.9   |        |       |        |       |        |       |        |       |        |       |        |       |        |       |        |      |        |       |        |       |        |      |        |       |        |      |        |      |        |       |        |       |        |       |        |       |        |       |        |      |        |      |        |      |        |      |        |      |        |      |        |      |        |      |        |      |        |      |        |      |        |      |        |      |        |      |        |      |        |      |        |      |        |      |        |      |        |      |        |      |        |      |        |      |        |      |        |      |        |      |        |      |        |      |        |      |        |      |        |      |        |      |        |      |        |      |
| 14            | 1948       | 102.72   | 2.1                    | 16          | 1721    | 90.77         | 2.3        | 11       | 2544                   | 134.16      | 1.11    | 12     | 2338  | 123.29 | 1.21 | 13     | 2077  | 109.49 | 1.36 | 15     | 1857  | 97.89  | 1.52 | 16     | 1669  | 88.01  | 1.69 | 19     | 1449  | 76.39  | 1.9  | 21     | 1297  | 68.40  | 2.2  | 25     | 1076  | 56.75  | 2.6  | 28    | 954   | 50.29  | 2.9  | 17     | 1622  | 85.52  | 0.87 | 19     | 1423  | 75.02  | 0.99 | 21     | 1257  | 66.28  | 1.12 | 24     | 1103  | 58.16  | 1.28 | 26     | 1045  | 55.12  | 1.35 | 29     | 915   | 48.24  | 1.54 | 33     | 824   | 43.46  | 1.71 | 37     | 723   | 38.12  | 1.95 | 39     | 694   | 36.52  | 1.5  | 45     | 598   | 31.45  | 2.2  | 49     | 545   | 28.59  | 2.5  | 56     | 484   | 25.50  | 2.9  | 66     | 406   | 21.43  | 3.5  | 33     | 819   | 43.20  | 0.94 | 36     | 745   | 39.26  | 0.98 | 42     | 645   | 34.01  | 1.08 | 44     | 608   | 32.08  | 1.27 | 52     | 520   | 27.41  | 1.48 | 57     | 477   | 25.13  | 1.62 | 64     | 418   | 22.05  | 1.84 | 68     | 396   | 20.90  | 1.94 | 78     | 347   | 18.29  | 2.2  | 86     | 313   | 16.48  | 2.5  | 98    | 274   | 14.46  | 2.8  | 2.5   | 19950 | 845    | 0.85 | 1.9   | 18038 | 764    | 0.94  | 2.1   | 16055 | 680    | 1.05  | 2.5   | 13599 | 576    | 1.24  | 3.2   | 10530 | 446    | 1.61  | 4.8   | 7107  | 301    | 2.4   | 5.3   | 6422  | 272    | 2.6   | 6.2   | 5454  | 231    | 3.1   | 7.3   | 4628  | 196    | 3.7   | 2.7   | 12796 | 542    | 0.88 | 2.9   | 11545 | 489    | 0.98  | 3.4   | 9987  | 423    | 1.13  | 3.9   | 8759  | 371    | 1.29 | 4.4   | 7720  | 327    | 0.94  | 5.1   | 6729  | 285    | 1.07  | 6.5   | 5218  | 221    | 1.38 | 4.2   | 8594  | 172.33 | 1.31  | 4.6   | 7721  | 154.81 | 1.46  | 5.7    | 6269  | 125.71 | 1.80  | 5.6    | 6365  | 255.25 | 1.16  | 6.7    | 5363  | 215.04 | 1.37  | 7.2    | 4970  | 199.31 | 1.48 | 8.1    | 4455  | 178.64 | 1.65 | 8.9    | 4022  | 161.28 | 1.83  | 9.8    | 3653  | 146.49 | 2.02  | 11     | 3241  | 129.97 | 2.3   | 12     | 2941  | 117.94 | 2.5   | 14     | 2528  | 101.38 | 2.9   |        |       |        |       |        |       |        |       |        |       |        |       |        |       |        |       |        |       |        |       |        |      |        |       |        |       |        |      |        |       |        |      |        |      |        |       |        |       |        |       |        |       |        |       |        |      |        |      |        |      |        |      |        |      |        |      |        |      |        |      |        |      |        |      |        |      |        |      |        |      |        |      |        |      |        |      |        |      |        |      |        |      |        |      |        |      |        |      |        |      |        |      |        |      |        |      |        |      |        |      |        |      |        |      |        |      |        |      |        |      |        |      |
| 16            | 1721       | 90.77    | 2.3                    | 11          | 2544    | 134.16        | 1.11       | 12       | 2338                   | 123.29      | 1.21    | 13     | 2077  | 109.49 | 1.36 | 15     | 1857  | 97.89  | 1.52 | 16     | 1669  | 88.01  | 1.69 | 19     | 1449  | 76.39  | 1.9  | 21     | 1297  | 68.40  | 2.2  | 25     | 1076  | 56.75  | 2.6  | 28     | 954   | 50.29  | 2.9  | 17    | 1622  | 85.52  | 0.87 | 19     | 1423  | 75.02  | 0.99 | 21     | 1257  | 66.28  | 1.12 | 24     | 1103  | 58.16  | 1.28 | 26     | 1045  | 55.12  | 1.35 | 29     | 915   | 48.24  | 1.54 | 33     | 824   | 43.46  | 1.71 | 37     | 723   | 38.12  | 1.95 | 39     | 694   | 36.52  | 1.5  | 45     | 598   | 31.45  | 2.2  | 49     | 545   | 28.59  | 2.5  | 56     | 484   | 25.50  | 2.9  | 66     | 406   | 21.43  | 3.5  | 33     | 819   | 43.20  | 0.94 | 36     | 745   | 39.26  | 0.98 | 42     | 645   | 34.01  | 1.08 | 44     | 608   | 32.08  | 1.27 | 52     | 520   | 27.41  | 1.48 | 57     | 477   | 25.13  | 1.62 | 64     | 418   | 22.05  | 1.84 | 68     | 396   | 20.90  | 1.94 | 78     | 347   | 18.29  | 2.2  | 86     | 313   | 16.48  | 2.5  | 98     | 274   | 14.46  | 2.8  | 2.5   | 19950 | 845    | 0.85 | 1.9   | 18038 | 764    | 0.94 | 2.1   | 16055 | 680    | 1.05  | 2.5   | 13599 | 576    | 1.24  | 3.2   | 10530 | 446    | 1.61  | 4.8   | 7107  | 301    | 2.4   | 5.3   | 6422  | 272    | 2.6   | 6.2   | 5454  | 231    | 3.1   | 7.3   | 4628  | 196    | 3.7   | 2.7   | 12796 | 542    | 0.88  | 2.9   | 11545 | 489    | 0.98 | 3.4   | 9987  | 423    | 1.13  | 3.9   | 8759  | 371    | 1.29  | 4.4   | 7720  | 327    | 0.94 | 5.1   | 6729  | 285    | 1.07  | 6.5   | 5218  | 221    | 1.38  | 4.2   | 8594  | 172.33 | 1.31 | 4.6   | 7721  | 154.81 | 1.46  | 5.7   | 6269  | 125.71 | 1.80  | 5.6    | 6365  | 255.25 | 1.16  | 6.7    | 5363  | 215.04 | 1.37  | 7.2    | 4970  | 199.31 | 1.48  | 8.1    | 4455  | 178.64 | 1.65 | 8.9    | 4022  | 161.28 | 1.83 | 9.8    | 3653  | 146.49 | 2.02  | 11     | 3241  | 129.97 | 2.3   | 12     | 2941  | 117.94 | 2.5   | 14     | 2528  | 101.38 | 2.9   |        |       |        |       |        |       |        |       |        |       |        |       |        |       |        |       |        |       |        |       |        |       |        |       |        |      |        |       |        |       |        |      |        |       |        |      |        |      |        |       |        |       |        |       |        |       |        |       |        |      |        |      |        |      |        |      |        |      |        |      |        |      |        |      |        |      |        |      |        |      |        |      |        |      |        |      |        |      |        |      |        |      |        |      |        |      |        |      |        |      |        |      |        |      |        |      |        |      |        |      |        |      |        |      |        |      |        |      |        |      |        |      |        |      |        |      |
| 11            | 2544       | 134.16   | 1.11                   | 12          | 2338    | 123.29        | 1.21       | 13       | 2077                   | 109.49      | 1.36    | 15     | 1857  | 97.89  | 1.52 | 16     | 1669  | 88.01  | 1.69 | 19     | 1449  | 76.39  | 1.9  | 21     | 1297  | 68.40  | 2.2  | 25     | 1076  | 56.75  | 2.6  | 28     | 954   | 50.29  | 2.9  | 17     | 1622  | 85.52  | 0.87 | 19    | 1423  | 75.02  | 0.99 | 21     | 1257  | 66.28  | 1.12 | 24     | 1103  | 58.16  | 1.28 | 26     | 1045  | 55.12  | 1.35 | 29     | 915   | 48.24  | 1.54 | 33     | 824   | 43.46  | 1.71 | 37     | 723   | 38.12  | 1.95 | 39     | 694   | 36.52  | 1.5  | 45     | 598   | 31.45  | 2.2  | 49     | 545   | 28.59  | 2.5  | 56     | 484   | 25.50  | 2.9  | 66     | 406   | 21.43  | 3.5  | 33     | 819   | 43.20  | 0.94 | 36     | 745   | 39.26  | 0.98 | 42     | 645   | 34.01  | 1.08 | 44     | 608   | 32.08  | 1.27 | 52     | 520   | 27.41  | 1.48 | 57     | 477   | 25.13  | 1.62 | 64     | 418   | 22.05  | 1.84 | 68     | 396   | 20.90  | 1.94 | 78     | 347   | 18.29  | 2.2  | 86     | 313   | 16.48  | 2.5  | 98     | 274   | 14.46  | 2.8  | 2.5    | 19950 | 845    | 0.85 | 1.9   | 18038 | 764    | 0.94 | 2.1   | 16055 | 680    | 1.05 | 2.5   | 13599 | 576    | 1.24  | 3.2   | 10530 | 446    | 1.61  | 4.8   | 7107  | 301    | 2.4   | 5.3   | 6422  | 272    | 2.6   | 6.2   | 5454  | 231    | 3.1   | 7.3   | 4628  | 196    | 3.7   | 2.7   | 12796 | 542    | 0.88  | 2.9   | 11545 | 489    | 0.98  | 3.4   | 9987  | 423    | 1.13 | 3.9   | 8759  | 371    | 1.29  | 4.4   | 7720  | 327    | 0.94  | 5.1   | 6729  | 285    | 1.07 | 6.5   | 5218  | 221    | 1.38  | 4.2   | 8594  | 172.33 | 1.31  | 4.6   | 7721  | 154.81 | 1.46 | 5.7   | 6269  | 125.71 | 1.80  | 5.6   | 6365  | 255.25 | 1.16  | 6.7    | 5363  | 215.04 | 1.37  | 7.2    | 4970  | 199.31 | 1.48  | 8.1    | 4455  | 178.64 | 1.65  | 8.9    | 4022  | 161.28 | 1.83 | 9.8    | 3653  | 146.49 | 2.02 | 11     | 3241  | 129.97 | 2.3   | 12     | 2941  | 117.94 | 2.5   | 14     | 2528  | 101.38 | 2.9   |        |       |        |       |        |       |        |       |        |       |        |       |        |       |        |       |        |       |        |       |        |       |        |       |        |       |        |       |        |      |        |       |        |       |        |      |        |       |        |      |        |      |        |       |        |       |        |       |        |       |        |       |        |      |        |      |        |      |        |      |        |      |        |      |        |      |        |      |        |      |        |      |        |      |        |      |        |      |        |      |        |      |        |      |        |      |        |      |        |      |        |      |        |      |        |      |        |      |        |      |        |      |        |      |        |      |        |      |        |      |        |      |        |      |        |      |        |      |        |      |
| 12            | 2338       | 123.29   | 1.21                   | 13          | 2077    | 109.49        | 1.36       | 15       | 1857                   | 97.89       | 1.52    | 16     | 1669  | 88.01  | 1.69 | 19     | 1449  | 76.39  | 1.9  | 21     | 1297  | 68.40  | 2.2  | 25     | 1076  | 56.75  | 2.6  | 28     | 954   | 50.29  | 2.9  | 17     | 1622  | 85.52  | 0.87 | 19     | 1423  | 75.02  | 0.99 | 21    | 1257  | 66.28  | 1.12 | 24     | 1103  | 58.16  | 1.28 | 26     | 1045  | 55.12  | 1.35 | 29     | 915   | 48.24  | 1.54 | 33     | 824   | 43.46  | 1.71 | 37     | 723   | 38.12  | 1.95 | 39     | 694   | 36.52  | 1.5  | 45     | 598   | 31.45  | 2.2  | 49     | 545   | 28.59  | 2.5  | 56     | 484   | 25.50  | 2.9  | 66     | 406   | 21.43  | 3.5  | 33     | 819   | 43.20  | 0.94 | 36     | 745   | 39.26  | 0.98 | 42     | 645   | 34.01  | 1.08 | 44     | 608   | 32.08  | 1.27 | 52     | 520   | 27.41  | 1.48 | 57     | 477   | 25.13  | 1.62 | 64     | 418   | 22.05  | 1.84 | 68     | 396   | 20.90  | 1.94 | 78     | 347   | 18.29  | 2.2  | 86     | 313   | 16.48  | 2.5  | 98     | 274   | 14.46  | 2.8  | 2.5    | 19950 | 845    | 0.85 | 1.9    | 18038 | 764    | 0.94 | 2.1   | 16055 | 680    | 1.05 | 2.5   | 13599 | 576    | 1.24 | 3.2   | 10530 | 446    | 1.61  | 4.8   | 7107  | 301    | 2.4   | 5.3   | 6422  | 272    | 2.6   | 6.2   | 5454  | 231    | 3.1   | 7.3   | 4628  | 196    | 3.7   | 2.7   | 12796 | 542    | 0.88  | 2.9   | 11545 | 489    | 0.98  | 3.4   | 9987  | 423    | 1.13  | 3.9   | 8759  | 371    | 1.29 | 4.4   | 7720  | 327    | 0.94  | 5.1   | 6729  | 285    | 1.07  | 6.5   | 5218  | 221    | 1.38 | 4.2   | 8594  | 172.33 | 1.31  | 4.6   | 7721  | 154.81 | 1.46  | 5.7   | 6269  | 125.71 | 1.80 | 5.6   | 6365  | 255.25 | 1.16  | 6.7   | 5363  | 215.04 | 1.37  | 7.2    | 4970  | 199.31 | 1.48  | 8.1    | 4455  | 178.64 | 1.65  | 8.9    | 4022  | 161.28 | 1.83  | 9.8    | 3653  | 146.49 | 2.02 | 11     | 3241  | 129.97 | 2.3  | 12     | 2941  | 117.94 | 2.5   | 14     | 2528  | 101.38 | 2.9   |        |       |        |       |        |       |        |       |        |       |        |       |        |       |        |       |        |       |        |       |        |       |        |       |        |       |        |       |        |       |        |       |        |      |        |       |        |       |        |      |        |       |        |      |        |      |        |       |        |       |        |       |        |       |        |       |        |      |        |      |        |      |        |      |        |      |        |      |        |      |        |      |        |      |        |      |        |      |        |      |        |      |        |      |        |      |        |      |        |      |        |      |        |      |        |      |        |      |        |      |        |      |        |      |        |      |        |      |        |      |        |      |        |      |        |      |        |      |        |      |        |      |        |      |
| 13            | 2077       | 109.49   | 1.36                   | 15          | 1857    | 97.89         | 1.52       | 16       | 1669                   | 88.01       | 1.69    | 19     | 1449  | 76.39  | 1.9  | 21     | 1297  | 68.40  | 2.2  | 25     | 1076  | 56.75  | 2.6  | 28     | 954   | 50.29  | 2.9  | 17     | 1622  | 85.52  | 0.87 | 19     | 1423  | 75.02  | 0.99 | 21     | 1257  | 66.28  | 1.12 | 24    | 1103  | 58.16  | 1.28 | 26     | 1045  | 55.12  | 1.35 | 29     | 915   | 48.24  | 1.54 | 33     | 824   | 43.46  | 1.71 | 37     | 723   | 38.12  | 1.95 | 39     | 694   | 36.52  | 1.5  | 45     | 598   | 31.45  | 2.2  | 49     | 545   | 28.59  | 2.5  | 56     | 484   | 25.50  | 2.9  | 66     | 406   | 21.43  | 3.5  | 33     | 819   | 43.20  | 0.94 | 36     | 745   | 39.26  | 0.98 | 42     | 645   | 34.01  | 1.08 | 44     | 608   | 32.08  | 1.27 | 52     | 520   | 27.41  | 1.48 | 57     | 477   | 25.13  | 1.62 | 64     | 418   | 22.05  | 1.84 | 68     | 396   | 20.90  | 1.94 | 78     | 347   | 18.29  | 2.2  | 86     | 313   | 16.48  | 2.5  | 98     | 274   | 14.46  | 2.8  | 2.5    | 19950 | 845    | 0.85 | 1.9    | 18038 | 764    | 0.94 | 2.1    | 16055 | 680    | 1.05 | 2.5   | 13599 | 576    | 1.24 | 3.2   | 10530 | 446    | 1.61 | 4.8   | 7107  | 301    | 2.4   | 5.3   | 6422  | 272    | 2.6   | 6.2   | 5454  | 231    | 3.1   | 7.3   | 4628  | 196    | 3.7   | 2.7   | 12796 | 542    | 0.88  | 2.9   | 11545 | 489    | 0.98  | 3.4   | 9987  | 423    | 1.13  | 3.9   | 8759  | 371    | 1.29  | 4.4   | 7720  | 327    | 0.94 | 5.1   | 6729  | 285    | 1.07  | 6.5   | 5218  | 221    | 1.38  | 4.2   | 8594  | 172.33 | 1.31 | 4.6   | 7721  | 154.81 | 1.46  | 5.7   | 6269  | 125.71 | 1.80  | 5.6   | 6365  | 255.25 | 1.16 | 6.7   | 5363  | 215.04 | 1.37  | 7.2   | 4970  | 199.31 | 1.48  | 8.1    | 4455  | 178.64 | 1.65  | 8.9    | 4022  | 161.28 | 1.83  | 9.8    | 3653  | 146.49 | 2.02  | 11     | 3241  | 129.97 | 2.3  | 12     | 2941  | 117.94 | 2.5  | 14     | 2528  | 101.38 | 2.9   |        |       |        |       |        |       |        |       |        |       |        |       |        |       |        |       |        |       |        |       |        |       |        |       |        |       |        |       |        |       |        |       |        |       |        |       |        |      |        |       |        |       |        |      |        |       |        |      |        |      |        |       |        |       |        |       |        |       |        |       |        |      |        |      |        |      |        |      |        |      |        |      |        |      |        |      |        |      |        |      |        |      |        |      |        |      |        |      |        |      |        |      |        |      |        |      |        |      |        |      |        |      |        |      |        |      |        |      |        |      |        |      |        |      |        |      |        |      |        |      |        |      |        |      |        |      |        |      |
| 15            | 1857       | 97.89    | 1.52                   | 16          | 1669    | 88.01         | 1.69       | 19       | 1449                   | 76.39       | 1.9     | 21     | 1297  | 68.40  | 2.2  | 25     | 1076  | 56.75  | 2.6  | 28     | 954   | 50.29  | 2.9  | 17     | 1622  | 85.52  | 0.87 | 19     | 1423  | 75.02  | 0.99 | 21     | 1257  | 66.28  | 1.12 | 24     | 1103  | 58.16  | 1.28 | 26    | 1045  | 55.12  | 1.35 | 29     | 915   | 48.24  | 1.54 | 33     | 824   | 43.46  | 1.71 | 37     | 723   | 38.12  | 1.95 | 39     | 694   | 36.52  | 1.5  | 45     | 598   | 31.45  | 2.2  | 49     | 545   | 28.59  | 2.5  | 56     | 484   | 25.50  | 2.9  | 66     | 406   | 21.43  | 3.5  | 33     | 819   | 43.20  | 0.94 | 36     | 745   | 39.26  | 0.98 | 42     | 645   | 34.01  | 1.08 | 44     | 608   | 32.08  | 1.27 | 52     | 520   | 27.41  | 1.48 | 57     | 477   | 25.13  | 1.62 | 64     | 418   | 22.05  | 1.84 | 68     | 396   | 20.90  | 1.94 | 78     | 347   | 18.29  | 2.2  | 86     | 313   | 16.48  | 2.5  | 98     | 274   | 14.46  | 2.8  | 2.5    | 19950 | 845    | 0.85 | 1.9    | 18038 | 764    | 0.94 | 2.1    | 16055 | 680    | 1.05 | 2.5    | 13599 | 576    | 1.24 | 3.2   | 10530 | 446    | 1.61 | 4.8   | 7107  | 301    | 2.4  | 5.3   | 6422  | 272    | 2.6   | 6.2   | 5454  | 231    | 3.1   | 7.3   | 4628  | 196    | 3.7   | 2.7   | 12796 | 542    | 0.88  | 2.9   | 11545 | 489    | 0.98  | 3.4   | 9987  | 423    | 1.13  | 3.9   | 8759  | 371    | 1.29  | 4.4   | 7720  | 327    | 0.94  | 5.1   | 6729  | 285    | 1.07 | 6.5   | 5218  | 221    | 1.38  | 4.2   | 8594  | 172.33 | 1.31  | 4.6   | 7721  | 154.81 | 1.46 | 5.7   | 6269  | 125.71 | 1.80  | 5.6   | 6365  | 255.25 | 1.16  | 6.7   | 5363  | 215.04 | 1.37 | 7.2   | 4970  | 199.31 | 1.48  | 8.1   | 4455  | 178.64 | 1.65  | 8.9    | 4022  | 161.28 | 1.83  | 9.8    | 3653  | 146.49 | 2.02  | 11     | 3241  | 129.97 | 2.3   | 12     | 2941  | 117.94 | 2.5  | 14     | 2528  | 101.38 | 2.9  |        |       |        |       |        |       |        |       |        |       |        |       |        |       |        |       |        |       |        |       |        |       |        |       |        |       |        |       |        |       |        |       |        |       |        |       |        |       |        |       |        |      |        |       |        |       |        |      |        |       |        |      |        |      |        |       |        |       |        |       |        |       |        |       |        |      |        |      |        |      |        |      |        |      |        |      |        |      |        |      |        |      |        |      |        |      |        |      |        |      |        |      |        |      |        |      |        |      |        |      |        |      |        |      |        |      |        |      |        |      |        |      |        |      |        |      |        |      |        |      |        |      |        |      |        |      |        |      |        |      |        |      |
| 16            | 1669       | 88.01    | 1.69                   | 19          | 1449    | 76.39         | 1.9        | 21       | 1297                   | 68.40       | 2.2     | 25     | 1076  | 56.75  | 2.6  | 28     | 954   | 50.29  | 2.9  | 17     | 1622  | 85.52  | 0.87 | 19     | 1423  | 75.02  | 0.99 | 21     | 1257  | 66.28  | 1.12 | 24     | 1103  | 58.16  | 1.28 | 26     | 1045  | 55.12  | 1.35 | 29    | 915   | 48.24  | 1.54 | 33     | 824   | 43.46  | 1.71 | 37     | 723   | 38.12  | 1.95 | 39     | 694   | 36.52  | 1.5  | 45     | 598   | 31.45  | 2.2  | 49     | 545   | 28.59  | 2.5  | 56     | 484   | 25.50  | 2.9  | 66     | 406   | 21.43  | 3.5  | 33     | 819   | 43.20  | 0.94 | 36     | 745   | 39.26  | 0.98 | 42     | 645   | 34.01  | 1.08 | 44     | 608   | 32.08  | 1.27 | 52     | 520   | 27.41  | 1.48 | 57     | 477   | 25.13  | 1.62 | 64     | 418   | 22.05  | 1.84 | 68     | 396   | 20.90  | 1.94 | 78     | 347   | 18.29  | 2.2  | 86     | 313   | 16.48  | 2.5  | 98     | 274   | 14.46  | 2.8  | 2.5    | 19950 | 845    | 0.85 | 1.9    | 18038 | 764    | 0.94 | 2.1    | 16055 | 680    | 1.05 | 2.5    | 13599 | 576    | 1.24 | 3.2    | 10530 | 446    | 1.61 | 4.8   | 7107  | 301    | 2.4  | 5.3   | 6422  | 272    | 2.6  | 6.2   | 5454  | 231    | 3.1   | 7.3   | 4628  | 196    | 3.7   | 2.7   | 12796 | 542    | 0.88  | 2.9   | 11545 | 489    | 0.98  | 3.4   | 9987  | 423    | 1.13  | 3.9   | 8759  | 371    | 1.29  | 4.4   | 7720  | 327    | 0.94  | 5.1   | 6729  | 285    | 1.07  | 6.5   | 5218  | 221    | 1.38 | 4.2   | 8594  | 172.33 | 1.31  | 4.6   | 7721  | 154.81 | 1.46  | 5.7   | 6269  | 125.71 | 1.80 | 5.6   | 6365  | 255.25 | 1.16  | 6.7   | 5363  | 215.04 | 1.37  | 7.2   | 4970  | 199.31 | 1.48 | 8.1   | 4455  | 178.64 | 1.65  | 8.9   | 4022  | 161.28 | 1.83  | 9.8    | 3653  | 146.49 | 2.02  | 11     | 3241  | 129.97 | 2.3   | 12     | 2941  | 117.94 | 2.5   | 14     | 2528  | 101.38 | 2.9  |        |       |        |      |        |       |        |       |        |       |        |       |        |       |        |       |        |       |        |       |        |       |        |       |        |       |        |       |        |       |        |       |        |       |        |       |        |       |        |       |        |       |        |       |        |      |        |       |        |       |        |      |        |       |        |      |        |      |        |       |        |       |        |       |        |       |        |       |        |      |        |      |        |      |        |      |        |      |        |      |        |      |        |      |        |      |        |      |        |      |        |      |        |      |        |      |        |      |        |      |        |      |        |      |        |      |        |      |        |      |        |      |        |      |        |      |        |      |        |      |        |      |        |      |        |      |        |      |        |      |        |      |        |      |        |      |
| 19            | 1449       | 76.39    | 1.9                    | 21          | 1297    | 68.40         | 2.2        | 25       | 1076                   | 56.75       | 2.6     | 28     | 954   | 50.29  | 2.9  | 17     | 1622  | 85.52  | 0.87 | 19     | 1423  | 75.02  | 0.99 | 21     | 1257  | 66.28  | 1.12 | 24     | 1103  | 58.16  | 1.28 | 26     | 1045  | 55.12  | 1.35 | 29     | 915   | 48.24  | 1.54 | 33    | 824   | 43.46  | 1.71 | 37     | 723   | 38.12  | 1.95 | 39     | 694   | 36.52  | 1.5  | 45     | 598   | 31.45  | 2.2  | 49     | 545   | 28.59  | 2.5  | 56     | 484   | 25.50  | 2.9  | 66     | 406   | 21.43  | 3.5  | 33     | 819   | 43.20  | 0.94 | 36     | 745   | 39.26  | 0.98 | 42     | 645   | 34.01  | 1.08 | 44     | 608   | 32.08  | 1.27 | 52     | 520   | 27.41  | 1.48 | 57     | 477   | 25.13  | 1.62 | 64     | 418   | 22.05  | 1.84 | 68     | 396   | 20.90  | 1.94 | 78     | 347   | 18.29  | 2.2  | 86     | 313   | 16.48  | 2.5  | 98     | 274   | 14.46  | 2.8  | 2.5    | 19950 | 845    | 0.85 | 1.9    | 18038 | 764    | 0.94 | 2.1    | 16055 | 680    | 1.05 | 2.5    | 13599 | 576    | 1.24 | 3.2    | 10530 | 446    | 1.61 | 4.8    | 7107  | 301    | 2.4  | 5.3   | 6422  | 272    | 2.6  | 6.2   | 5454  | 231    | 3.1  | 7.3   | 4628  | 196    | 3.7   | 2.7   | 12796 | 542    | 0.88  | 2.9   | 11545 | 489    | 0.98  | 3.4   | 9987  | 423    | 1.13  | 3.9   | 8759  | 371    | 1.29  | 4.4   | 7720  | 327    | 0.94  | 5.1   | 6729  | 285    | 1.07  | 6.5   | 5218  | 221    | 1.38  | 4.2   | 8594  | 172.33 | 1.31 | 4.6   | 7721  | 154.81 | 1.46  | 5.7   | 6269  | 125.71 | 1.80  | 5.6   | 6365  | 255.25 | 1.16 | 6.7   | 5363  | 215.04 | 1.37  | 7.2   | 4970  | 199.31 | 1.48  | 8.1   | 4455  | 178.64 | 1.65 | 8.9   | 4022  | 161.28 | 1.83  | 9.8   | 3653  | 146.49 | 2.02  | 11     | 3241  | 129.97 | 2.3   | 12     | 2941  | 117.94 | 2.5   | 14     | 2528  | 101.38 | 2.9   |        |       |        |      |        |       |        |      |        |       |        |       |        |       |        |       |        |       |        |       |        |       |        |       |        |       |        |       |        |       |        |       |        |       |        |       |        |       |        |       |        |       |        |       |        |       |        |       |        |      |        |       |        |       |        |      |        |       |        |      |        |      |        |       |        |       |        |       |        |       |        |       |        |      |        |      |        |      |        |      |        |      |        |      |        |      |        |      |        |      |        |      |        |      |        |      |        |      |        |      |        |      |        |      |        |      |        |      |        |      |        |      |        |      |        |      |        |      |        |      |        |      |        |      |        |      |        |      |        |      |        |      |        |      |        |      |        |      |        |      |
| 21            | 1297       | 68.40    | 2.2                    | 25          | 1076    | 56.75         | 2.6        | 28       | 954                    | 50.29       | 2.9     | 17     | 1622  | 85.52  | 0.87 | 19     | 1423  | 75.02  | 0.99 | 21     | 1257  | 66.28  | 1.12 | 24     | 1103  | 58.16  | 1.28 | 26     | 1045  | 55.12  | 1.35 | 29     | 915   | 48.24  | 1.54 | 33     | 824   | 43.46  | 1.71 | 37    | 723   | 38.12  | 1.95 | 39     | 694   | 36.52  | 1.5  | 45     | 598   | 31.45  | 2.2  | 49     | 545   | 28.59  | 2.5  | 56     | 484   | 25.50  | 2.9  | 66     | 406   | 21.43  | 3.5  | 33     | 819   | 43.20  | 0.94 | 36     | 745   | 39.26  | 0.98 | 42     | 645   | 34.01  | 1.08 | 44     | 608   | 32.08  | 1.27 | 52     | 520   | 27.41  | 1.48 | 57     | 477   | 25.13  | 1.62 | 64     | 418   | 22.05  | 1.84 | 68     | 396   | 20.90  | 1.94 | 78     | 347   | 18.29  | 2.2  | 86     | 313   | 16.48  | 2.5  | 98     | 274   | 14.46  | 2.8  | 2.5    | 19950 | 845    | 0.85 | 1.9    | 18038 | 764    | 0.94 | 2.1    | 16055 | 680    | 1.05 | 2.5    | 13599 | 576    | 1.24 | 3.2    | 10530 | 446    | 1.61 | 4.8    | 7107  | 301    | 2.4  | 5.3    | 6422  | 272    | 2.6  | 6.2   | 5454  | 231    | 3.1  | 7.3   | 4628  | 196    | 3.7  | 2.7   | 12796 | 542    | 0.88  | 2.9   | 11545 | 489    | 0.98  | 3.4   | 9987  | 423    | 1.13  | 3.9   | 8759  | 371    | 1.29  | 4.4   | 7720  | 327    | 0.94  | 5.1   | 6729  | 285    | 1.07  | 6.5   | 5218  | 221    | 1.38  | 4.2   | 8594  | 172.33 | 1.31  | 4.6   | 7721  | 154.81 | 1.46 | 5.7   | 6269  | 125.71 | 1.80  | 5.6   | 6365  | 255.25 | 1.16  | 6.7   | 5363  | 215.04 | 1.37 | 7.2   | 4970  | 199.31 | 1.48  | 8.1   | 4455  | 178.64 | 1.65  | 8.9   | 4022  | 161.28 | 1.83 | 9.8   | 3653  | 146.49 | 2.02  | 11    | 3241  | 129.97 | 2.3   | 12     | 2941  | 117.94 | 2.5   | 14     | 2528  | 101.38 | 2.9   |        |       |        |       |        |       |        |      |        |       |        |      |        |       |        |       |        |       |        |       |        |       |        |       |        |       |        |       |        |       |        |       |        |       |        |       |        |       |        |       |        |       |        |       |        |       |        |       |        |       |        |       |        |      |        |       |        |       |        |      |        |       |        |      |        |      |        |       |        |       |        |       |        |       |        |       |        |      |        |      |        |      |        |      |        |      |        |      |        |      |        |      |        |      |        |      |        |      |        |      |        |      |        |      |        |      |        |      |        |      |        |      |        |      |        |      |        |      |        |      |        |      |        |      |        |      |        |      |        |      |        |      |        |      |        |      |        |      |        |      |        |      |        |      |
| 25            | 1076       | 56.75    | 2.6                    | 28          | 954     | 50.29         | 2.9        | 17       | 1622                   | 85.52       | 0.87    | 19     | 1423  | 75.02  | 0.99 | 21     | 1257  | 66.28  | 1.12 | 24     | 1103  | 58.16  | 1.28 | 26     | 1045  | 55.12  | 1.35 | 29     | 915   | 48.24  | 1.54 | 33     | 824   | 43.46  | 1.71 | 37     | 723   | 38.12  | 1.95 | 39    | 694   | 36.52  | 1.5  | 45     | 598   | 31.45  | 2.2  | 49     | 545   | 28.59  | 2.5  | 56     | 484   | 25.50  | 2.9  | 66     | 406   | 21.43  | 3.5  | 33     | 819   | 43.20  | 0.94 | 36     | 745   | 39.26  | 0.98 | 42     | 645   | 34.01  | 1.08 | 44     | 608   | 32.08  | 1.27 | 52     | 520   | 27.41  | 1.48 | 57     | 477   | 25.13  | 1.62 | 64     | 418   | 22.05  | 1.84 | 68     | 396   | 20.90  | 1.94 | 78     | 347   | 18.29  | 2.2  | 86     | 313   | 16.48  | 2.5  | 98     | 274   | 14.46  | 2.8  | 2.5    | 19950 | 845    | 0.85 | 1.9    | 18038 | 764    | 0.94 | 2.1    | 16055 | 680    | 1.05 | 2.5    | 13599 | 576    | 1.24 | 3.2    | 10530 | 446    | 1.61 | 4.8    | 7107  | 301    | 2.4  | 5.3    | 6422  | 272    | 2.6  | 6.2    | 5454  | 231    | 3.1  | 7.3   | 4628  | 196    | 3.7  | 2.7   | 12796 | 542    | 0.88 | 2.9   | 11545 | 489    | 0.98  | 3.4   | 9987  | 423    | 1.13  | 3.9   | 8759  | 371    | 1.29  | 4.4   | 7720  | 327    | 0.94  | 5.1   | 6729  | 285    | 1.07  | 6.5   | 5218  | 221    | 1.38  | 4.2   | 8594  | 172.33 | 1.31  | 4.6   | 7721  | 154.81 | 1.46  | 5.7   | 6269  | 125.71 | 1.80 | 5.6   | 6365  | 255.25 | 1.16  | 6.7   | 5363  | 215.04 | 1.37  | 7.2   | 4970  | 199.31 | 1.48 | 8.1   | 4455  | 178.64 | 1.65  | 8.9   | 4022  | 161.28 | 1.83  | 9.8   | 3653  | 146.49 | 2.02 | 11    | 3241  | 129.97 | 2.3   | 12    | 2941  | 117.94 | 2.5   | 14     | 2528  | 101.38 | 2.9   |        |       |        |       |        |       |        |       |        |       |        |      |        |       |        |      |        |       |        |       |        |       |        |       |        |       |        |       |        |       |        |       |        |       |        |       |        |       |        |       |        |       |        |       |        |       |        |       |        |       |        |       |        |       |        |       |        |      |        |       |        |       |        |      |        |       |        |      |        |      |        |       |        |       |        |       |        |       |        |       |        |      |        |      |        |      |        |      |        |      |        |      |        |      |        |      |        |      |        |      |        |      |        |      |        |      |        |      |        |      |        |      |        |      |        |      |        |      |        |      |        |      |        |      |        |      |        |      |        |      |        |      |        |      |        |      |        |      |        |      |        |      |        |      |        |      |        |      |
| 28            | 954        | 50.29    | 2.9                    | 17          | 1622    | 85.52         | 0.87       | 19       | 1423                   | 75.02       | 0.99    | 21     | 1257  | 66.28  | 1.12 | 24     | 1103  | 58.16  | 1.28 | 26     | 1045  | 55.12  | 1.35 | 29     | 915   | 48.24  | 1.54 | 33     | 824   | 43.46  | 1.71 | 37     | 723   | 38.12  | 1.95 | 39     | 694   | 36.52  | 1.5  | 45    | 598   | 31.45  | 2.2  | 49     | 545   | 28.59  | 2.5  | 56     | 484   | 25.50  | 2.9  | 66     | 406   | 21.43  | 3.5  | 33     | 819   | 43.20  | 0.94 | 36     | 745   | 39.26  | 0.98 | 42     | 645   | 34.01  | 1.08 | 44     | 608   | 32.08  | 1.27 | 52     | 520   | 27.41  | 1.48 | 57     | 477   | 25.13  | 1.62 | 64     | 418   | 22.05  | 1.84 | 68     | 396   | 20.90  | 1.94 | 78     | 347   | 18.29  | 2.2  | 86     | 313   | 16.48  | 2.5  | 98     | 274   | 14.46  | 2.8  | 2.5    | 19950 | 845    | 0.85 | 1.9    | 18038 | 764    | 0.94 | 2.1    | 16055 | 680    | 1.05 | 2.5    | 13599 | 576    | 1.24 | 3.2    | 10530 | 446    | 1.61 | 4.8    | 7107  | 301    | 2.4  | 5.3    | 6422  | 272    | 2.6  | 6.2    | 5454  | 231    | 3.1  | 7.3    | 4628  | 196    | 3.7  | 2.7   | 12796 | 542    | 0.88 | 2.9   | 11545 | 489    | 0.98 | 3.4   | 9987  | 423    | 1.13  | 3.9   | 8759  | 371    | 1.29  | 4.4   | 7720  | 327    | 0.94  | 5.1   | 6729  | 285    | 1.07  | 6.5   | 5218  | 221    | 1.38  | 4.2   | 8594  | 172.33 | 1.31  | 4.6   | 7721  | 154.81 | 1.46  | 5.7   | 6269  | 125.71 | 1.80  | 5.6   | 6365  | 255.25 | 1.16 | 6.7   | 5363  | 215.04 | 1.37  | 7.2   | 4970  | 199.31 | 1.48  | 8.1   | 4455  | 178.64 | 1.65 | 8.9   | 4022  | 161.28 | 1.83  | 9.8   | 3653  | 146.49 | 2.02  | 11    | 3241  | 129.97 | 2.3  | 12    | 2941  | 117.94 | 2.5   | 14    | 2528  | 101.38 | 2.9   |        |       |        |       |        |       |        |       |        |       |        |       |        |       |        |      |        |       |        |      |        |       |        |       |        |       |        |       |        |       |        |       |        |       |        |       |        |       |        |       |        |       |        |       |        |       |        |       |        |       |        |       |        |       |        |       |        |       |        |       |        |      |        |       |        |       |        |      |        |       |        |      |        |      |        |       |        |       |        |       |        |       |        |       |        |      |        |      |        |      |        |      |        |      |        |      |        |      |        |      |        |      |        |      |        |      |        |      |        |      |        |      |        |      |        |      |        |      |        |      |        |      |        |      |        |      |        |      |        |      |        |      |        |      |        |      |        |      |        |      |        |      |        |      |        |      |        |      |        |      |        |      |
| 17            | 1622       | 85.52    | 0.87                   | 19          | 1423    | 75.02         | 0.99       | 21       | 1257                   | 66.28       | 1.12    | 24     | 1103  | 58.16  | 1.28 | 26     | 1045  | 55.12  | 1.35 | 29     | 915   | 48.24  | 1.54 | 33     | 824   | 43.46  | 1.71 | 37     | 723   | 38.12  | 1.95 | 39     | 694   | 36.52  | 1.5  | 45     | 598   | 31.45  | 2.2  | 49    | 545   | 28.59  | 2.5  | 56     | 484   | 25.50  | 2.9  | 66     | 406   | 21.43  | 3.5  | 33     | 819   | 43.20  | 0.94 | 36     | 745   | 39.26  | 0.98 | 42     | 645   | 34.01  | 1.08 | 44     | 608   | 32.08  | 1.27 | 52     | 520   | 27.41  | 1.48 | 57     | 477   | 25.13  | 1.62 | 64     | 418   | 22.05  | 1.84 | 68     | 396   | 20.90  | 1.94 | 78     | 347   | 18.29  | 2.2  | 86     | 313   | 16.48  | 2.5  | 98     | 274   | 14.46  | 2.8  | 2.5    | 19950 | 845    | 0.85 | 1.9    | 18038 | 764    | 0.94 | 2.1    | 16055 | 680    | 1.05 | 2.5    | 13599 | 576    | 1.24 | 3.2    | 10530 | 446    | 1.61 | 4.8    | 7107  | 301    | 2.4  | 5.3    | 6422  | 272    | 2.6  | 6.2    | 5454  | 231    | 3.1  | 7.3    | 4628  | 196    | 3.7  | 2.7    | 12796 | 542    | 0.88 | 2.9   | 11545 | 489    | 0.98 | 3.4   | 9987  | 423    | 1.13 | 3.9   | 8759  | 371    | 1.29  | 4.4   | 7720  | 327    | 0.94  | 5.1   | 6729  | 285    | 1.07  | 6.5   | 5218  | 221    | 1.38  | 4.2   | 8594  | 172.33 | 1.31  | 4.6   | 7721  | 154.81 | 1.46  | 5.7   | 6269  | 125.71 | 1.80  | 5.6   | 6365  | 255.25 | 1.16  | 6.7   | 5363  | 215.04 | 1.37 | 7.2   | 4970  | 199.31 | 1.48  | 8.1   | 4455  | 178.64 | 1.65  | 8.9   | 4022  | 161.28 | 1.83 | 9.8   | 3653  | 146.49 | 2.02  | 11    | 3241  | 129.97 | 2.3   | 12    | 2941  | 117.94 | 2.5  | 14    | 2528  | 101.38 | 2.9   |       |       |        |       |        |       |        |       |        |       |        |       |        |       |        |       |        |       |        |      |        |       |        |      |        |       |        |       |        |       |        |       |        |       |        |       |        |       |        |       |        |       |        |       |        |       |        |       |        |       |        |       |        |       |        |       |        |       |        |       |        |       |        |       |        |      |        |       |        |       |        |      |        |       |        |      |        |      |        |       |        |       |        |       |        |       |        |       |        |      |        |      |        |      |        |      |        |      |        |      |        |      |        |      |        |      |        |      |        |      |        |      |        |      |        |      |        |      |        |      |        |      |        |      |        |      |        |      |        |      |        |      |        |      |        |      |        |      |        |      |        |      |        |      |        |      |        |      |        |      |        |      |        |      |        |      |
| 19            | 1423       | 75.02    | 0.99                   | 21          | 1257    | 66.28         | 1.12       | 24       | 1103                   | 58.16       | 1.28    | 26     | 1045  | 55.12  | 1.35 | 29     | 915   | 48.24  | 1.54 | 33     | 824   | 43.46  | 1.71 | 37     | 723   | 38.12  | 1.95 | 39     | 694   | 36.52  | 1.5  | 45     | 598   | 31.45  | 2.2  | 49     | 545   | 28.59  | 2.5  | 56    | 484   | 25.50  | 2.9  | 66     | 406   | 21.43  | 3.5  | 33     | 819   | 43.20  | 0.94 | 36     | 745   | 39.26  | 0.98 | 42     | 645   | 34.01  | 1.08 | 44     | 608   | 32.08  | 1.27 | 52     | 520   | 27.41  | 1.48 | 57     | 477   | 25.13  | 1.62 | 64     | 418   | 22.05  | 1.84 | 68     | 396   | 20.90  | 1.94 | 78     | 347   | 18.29  | 2.2  | 86     | 313   | 16.48  | 2.5  | 98     | 274   | 14.46  | 2.8  | 2.5    | 19950 | 845    | 0.85 | 1.9    | 18038 | 764    | 0.94 | 2.1    | 16055 | 680    | 1.05 | 2.5    | 13599 | 576    | 1.24 | 3.2    | 10530 | 446    | 1.61 | 4.8    | 7107  | 301    | 2.4  | 5.3    | 6422  | 272    | 2.6  | 6.2    | 5454  | 231    | 3.1  | 7.3    | 4628  | 196    | 3.7  | 2.7    | 12796 | 542    | 0.88 | 2.9    | 11545 | 489    | 0.98 | 3.4   | 9987  | 423    | 1.13 | 3.9   | 8759  | 371    | 1.29 | 4.4   | 7720  | 327    | 0.94  | 5.1   | 6729  | 285    | 1.07  | 6.5   | 5218  | 221    | 1.38  | 4.2   | 8594  | 172.33 | 1.31  | 4.6   | 7721  | 154.81 | 1.46  | 5.7   | 6269  | 125.71 | 1.80  | 5.6   | 6365  | 255.25 | 1.16  | 6.7   | 5363  | 215.04 | 1.37  | 7.2   | 4970  | 199.31 | 1.48 | 8.1   | 4455  | 178.64 | 1.65  | 8.9   | 4022  | 161.28 | 1.83  | 9.8   | 3653  | 146.49 | 2.02 | 11    | 3241  | 129.97 | 2.3   | 12    | 2941  | 117.94 | 2.5   | 14    | 2528  | 101.38 | 2.9  |       |       |        |       |       |       |        |       |        |       |        |       |        |       |        |       |        |       |        |       |        |       |        |      |        |       |        |      |        |       |        |       |        |       |        |       |        |       |        |       |        |       |        |       |        |       |        |       |        |       |        |       |        |       |        |       |        |       |        |       |        |       |        |       |        |       |        |       |        |      |        |       |        |       |        |      |        |       |        |      |        |      |        |       |        |       |        |       |        |       |        |       |        |      |        |      |        |      |        |      |        |      |        |      |        |      |        |      |        |      |        |      |        |      |        |      |        |      |        |      |        |      |        |      |        |      |        |      |        |      |        |      |        |      |        |      |        |      |        |      |        |      |        |      |        |      |        |      |        |      |        |      |        |      |        |      |        |      |        |      |
| 21            | 1257       | 66.28    | 1.12                   | 24          | 1103    | 58.16         | 1.28       | 26       | 1045                   | 55.12       | 1.35    | 29     | 915   | 48.24  | 1.54 | 33     | 824   | 43.46  | 1.71 | 37     | 723   | 38.12  | 1.95 | 39     | 694   | 36.52  | 1.5  | 45     | 598   | 31.45  | 2.2  | 49     | 545   | 28.59  | 2.5  | 56     | 484   | 25.50  | 2.9  | 66    | 406   | 21.43  | 3.5  | 33     | 819   | 43.20  | 0.94 | 36     | 745   | 39.26  | 0.98 | 42     | 645   | 34.01  | 1.08 | 44     | 608   | 32.08  | 1.27 | 52     | 520   | 27.41  | 1.48 | 57     | 477   | 25.13  | 1.62 | 64     | 418   | 22.05  | 1.84 | 68     | 396   | 20.90  | 1.94 | 78     | 347   | 18.29  | 2.2  | 86     | 313   | 16.48  | 2.5  | 98     | 274   | 14.46  | 2.8  | 2.5    | 19950 | 845    | 0.85 | 1.9    | 18038 | 764    | 0.94 | 2.1    | 16055 | 680    | 1.05 | 2.5    | 13599 | 576    | 1.24 | 3.2    | 10530 | 446    | 1.61 | 4.8    | 7107  | 301    | 2.4  | 5.3    | 6422  | 272    | 2.6  | 6.2    | 5454  | 231    | 3.1  | 7.3    | 4628  | 196    | 3.7  | 2.7    | 12796 | 542    | 0.88 | 2.9    | 11545 | 489    | 0.98 | 3.4    | 9987  | 423    | 1.13 | 3.9   | 8759  | 371    | 1.29 | 4.4   | 7720  | 327    | 0.94 | 5.1   | 6729  | 285    | 1.07  | 6.5   | 5218  | 221    | 1.38  | 4.2   | 8594  | 172.33 | 1.31  | 4.6   | 7721  | 154.81 | 1.46  | 5.7   | 6269  | 125.71 | 1.80  | 5.6   | 6365  | 255.25 | 1.16  | 6.7   | 5363  | 215.04 | 1.37  | 7.2   | 4970  | 199.31 | 1.48  | 8.1   | 4455  | 178.64 | 1.65 | 8.9   | 4022  | 161.28 | 1.83  | 9.8   | 3653  | 146.49 | 2.02  | 11    | 3241  | 129.97 | 2.3  | 12    | 2941  | 117.94 | 2.5   | 14    | 2528  | 101.38 | 2.9   |       |       |        |      |       |       |        |       |       |       |        |       |        |       |        |       |        |       |        |       |        |       |        |       |        |       |        |      |        |       |        |      |        |       |        |       |        |       |        |       |        |       |        |       |        |       |        |       |        |       |        |       |        |       |        |       |        |       |        |       |        |       |        |       |        |       |        |       |        |       |        |       |        |      |        |       |        |       |        |      |        |       |        |      |        |      |        |       |        |       |        |       |        |       |        |       |        |      |        |      |        |      |        |      |        |      |        |      |        |      |        |      |        |      |        |      |        |      |        |      |        |      |        |      |        |      |        |      |        |      |        |      |        |      |        |      |        |      |        |      |        |      |        |      |        |      |        |      |        |      |        |      |        |      |        |      |        |      |        |      |        |      |        |      |
| 24            | 1103       | 58.16    | 1.28                   | 26          | 1045    | 55.12         | 1.35       | 29       | 915                    | 48.24       | 1.54    | 33     | 824   | 43.46  | 1.71 | 37     | 723   | 38.12  | 1.95 | 39     | 694   | 36.52  | 1.5  | 45     | 598   | 31.45  | 2.2  | 49     | 545   | 28.59  | 2.5  | 56     | 484   | 25.50  | 2.9  | 66     | 406   | 21.43  | 3.5  | 33    | 819   | 43.20  | 0.94 | 36     | 745   | 39.26  | 0.98 | 42     | 645   | 34.01  | 1.08 | 44     | 608   | 32.08  | 1.27 | 52     | 520   | 27.41  | 1.48 | 57     | 477   | 25.13  | 1.62 | 64     | 418   | 22.05  | 1.84 | 68     | 396   | 20.90  | 1.94 | 78     | 347   | 18.29  | 2.2  | 86     | 313   | 16.48  | 2.5  | 98     | 274   | 14.46  | 2.8  | 2.5    | 19950 | 845    | 0.85 | 1.9    | 18038 | 764    | 0.94 | 2.1    | 16055 | 680    | 1.05 | 2.5    | 13599 | 576    | 1.24 | 3.2    | 10530 | 446    | 1.61 | 4.8    | 7107  | 301    | 2.4  | 5.3    | 6422  | 272    | 2.6  | 6.2    | 5454  | 231    | 3.1  | 7.3    | 4628  | 196    | 3.7  | 2.7    | 12796 | 542    | 0.88 | 2.9    | 11545 | 489    | 0.98 | 3.4    | 9987  | 423    | 1.13 | 3.9    | 8759  | 371    | 1.29 | 4.4   | 7720  | 327    | 0.94 | 5.1   | 6729  | 285    | 1.07 | 6.5   | 5218  | 221    | 1.38  | 4.2   | 8594  | 172.33 | 1.31  | 4.6   | 7721  | 154.81 | 1.46  | 5.7   | 6269  | 125.71 | 1.80  | 5.6   | 6365  | 255.25 | 1.16  | 6.7   | 5363  | 215.04 | 1.37  | 7.2   | 4970  | 199.31 | 1.48  | 8.1   | 4455  | 178.64 | 1.65  | 8.9   | 4022  | 161.28 | 1.83 | 9.8   | 3653  | 146.49 | 2.02  | 11    | 3241  | 129.97 | 2.3   | 12    | 2941  | 117.94 | 2.5  | 14    | 2528  | 101.38 | 2.9   |       |       |        |       |       |       |        |      |       |       |        |       |       |       |        |       |        |       |        |       |        |       |        |       |        |       |        |       |        |       |        |      |        |       |        |      |        |       |        |       |        |       |        |       |        |       |        |       |        |       |        |       |        |       |        |       |        |       |        |       |        |       |        |       |        |       |        |       |        |       |        |       |        |       |        |       |        |      |        |       |        |       |        |      |        |       |        |      |        |      |        |       |        |       |        |       |        |       |        |       |        |      |        |      |        |      |        |      |        |      |        |      |        |      |        |      |        |      |        |      |        |      |        |      |        |      |        |      |        |      |        |      |        |      |        |      |        |      |        |      |        |      |        |      |        |      |        |      |        |      |        |      |        |      |        |      |        |      |        |      |        |      |        |      |        |      |        |      |
| 26            | 1045       | 55.12    | 1.35                   | 29          | 915     | 48.24         | 1.54       | 33       | 824                    | 43.46       | 1.71    | 37     | 723   | 38.12  | 1.95 | 39     | 694   | 36.52  | 1.5  | 45     | 598   | 31.45  | 2.2  | 49     | 545   | 28.59  | 2.5  | 56     | 484   | 25.50  | 2.9  | 66     | 406   | 21.43  | 3.5  | 33     | 819   | 43.20  | 0.94 | 36    | 745   | 39.26  | 0.98 | 42     | 645   | 34.01  | 1.08 | 44     | 608   | 32.08  | 1.27 | 52     | 520   | 27.41  | 1.48 | 57     | 477   | 25.13  | 1.62 | 64     | 418   | 22.05  | 1.84 | 68     | 396   | 20.90  | 1.94 | 78     | 347   | 18.29  | 2.2  | 86     | 313   | 16.48  | 2.5  | 98     | 274   | 14.46  | 2.8  | 2.5    | 19950 | 845    | 0.85 | 1.9    | 18038 | 764    | 0.94 | 2.1    | 16055 | 680    | 1.05 | 2.5    | 13599 | 576    | 1.24 | 3.2    | 10530 | 446    | 1.61 | 4.8    | 7107  | 301    | 2.4  | 5.3    | 6422  | 272    | 2.6  | 6.2    | 5454  | 231    | 3.1  | 7.3    | 4628  | 196    | 3.7  | 2.7    | 12796 | 542    | 0.88 | 2.9    | 11545 | 489    | 0.98 | 3.4    | 9987  | 423    | 1.13 | 3.9    | 8759  | 371    | 1.29 | 4.4    | 7720  | 327    | 0.94 | 5.1   | 6729  | 285    | 1.07 | 6.5   | 5218  | 221    | 1.38 | 4.2   | 8594  | 172.33 | 1.31  | 4.6   | 7721  | 154.81 | 1.46  | 5.7   | 6269  | 125.71 | 1.80  | 5.6   | 6365  | 255.25 | 1.16  | 6.7   | 5363  | 215.04 | 1.37  | 7.2   | 4970  | 199.31 | 1.48  | 8.1   | 4455  | 178.64 | 1.65  | 8.9   | 4022  | 161.28 | 1.83  | 9.8   | 3653  | 146.49 | 2.02 | 11    | 3241  | 129.97 | 2.3   | 12    | 2941  | 117.94 | 2.5   | 14    | 2528  | 101.38 | 2.9  |       |       |        |       |       |       |        |       |       |       |        |      |       |       |        |       |       |       |        |       |        |       |        |       |        |       |        |       |        |       |        |       |        |       |        |      |        |       |        |      |        |       |        |       |        |       |        |       |        |       |        |       |        |       |        |       |        |       |        |       |        |       |        |       |        |       |        |       |        |       |        |       |        |       |        |       |        |       |        |       |        |      |        |       |        |       |        |      |        |       |        |      |        |      |        |       |        |       |        |       |        |       |        |       |        |      |        |      |        |      |        |      |        |      |        |      |        |      |        |      |        |      |        |      |        |      |        |      |        |      |        |      |        |      |        |      |        |      |        |      |        |      |        |      |        |      |        |      |        |      |        |      |        |      |        |      |        |      |        |      |        |      |        |      |        |      |        |      |        |      |        |      |
| 29            | 915        | 48.24    | 1.54                   | 33          | 824     | 43.46         | 1.71       | 37       | 723                    | 38.12       | 1.95    | 39     | 694   | 36.52  | 1.5  | 45     | 598   | 31.45  | 2.2  | 49     | 545   | 28.59  | 2.5  | 56     | 484   | 25.50  | 2.9  | 66     | 406   | 21.43  | 3.5  | 33     | 819   | 43.20  | 0.94 | 36     | 745   | 39.26  | 0.98 | 42    | 645   | 34.01  | 1.08 | 44     | 608   | 32.08  | 1.27 | 52     | 520   | 27.41  | 1.48 | 57     | 477   | 25.13  | 1.62 | 64     | 418   | 22.05  | 1.84 | 68     | 396   | 20.90  | 1.94 | 78     | 347   | 18.29  | 2.2  | 86     | 313   | 16.48  | 2.5  | 98     | 274   | 14.46  | 2.8  | 2.5    | 19950 | 845    | 0.85 | 1.9    | 18038 | 764    | 0.94 | 2.1    | 16055 | 680    | 1.05 | 2.5    | 13599 | 576    | 1.24 | 3.2    | 10530 | 446    | 1.61 | 4.8    | 7107  | 301    | 2.4  | 5.3    | 6422  | 272    | 2.6  | 6.2    | 5454  | 231    | 3.1  | 7.3    | 4628  | 196    | 3.7  | 2.7    | 12796 | 542    | 0.88 | 2.9    | 11545 | 489    | 0.98 | 3.4    | 9987  | 423    | 1.13 | 3.9    | 8759  | 371    | 1.29 | 4.4    | 7720  | 327    | 0.94 | 5.1    | 6729  | 285    | 1.07 | 6.5   | 5218  | 221    | 1.38 | 4.2   | 8594  | 172.33 | 1.31 | 4.6   | 7721  | 154.81 | 1.46  | 5.7   | 6269  | 125.71 | 1.80  | 5.6   | 6365  | 255.25 | 1.16  | 6.7   | 5363  | 215.04 | 1.37  | 7.2   | 4970  | 199.31 | 1.48  | 8.1   | 4455  | 178.64 | 1.65  | 8.9   | 4022  | 161.28 | 1.83  | 9.8   | 3653  | 146.49 | 2.02  | 11    | 3241  | 129.97 | 2.3  | 12    | 2941  | 117.94 | 2.5   | 14    | 2528  | 101.38 | 2.9   |       |       |        |      |       |       |        |       |       |       |        |       |       |       |        |      |       |       |        |       |       |       |        |       |        |       |        |       |        |       |        |       |        |       |        |       |        |       |        |      |        |       |        |      |        |       |        |       |        |       |        |       |        |       |        |       |        |       |        |       |        |       |        |       |        |       |        |       |        |       |        |       |        |       |        |       |        |       |        |       |        |       |        |       |        |      |        |       |        |       |        |      |        |       |        |      |        |      |        |       |        |       |        |       |        |       |        |       |        |      |        |      |        |      |        |      |        |      |        |      |        |      |        |      |        |      |        |      |        |      |        |      |        |      |        |      |        |      |        |      |        |      |        |      |        |      |        |      |        |      |        |      |        |      |        |      |        |      |        |      |        |      |        |      |        |      |        |      |        |      |        |      |        |      |        |      |
| 33            | 824        | 43.46    | 1.71                   | 37          | 723     | 38.12         | 1.95       | 39       | 694                    | 36.52       | 1.5     | 45     | 598   | 31.45  | 2.2  | 49     | 545   | 28.59  | 2.5  | 56     | 484   | 25.50  | 2.9  | 66     | 406   | 21.43  | 3.5  | 33     | 819   | 43.20  | 0.94 | 36     | 745   | 39.26  | 0.98 | 42     | 645   | 34.01  | 1.08 | 44    | 608   | 32.08  | 1.27 | 52     | 520   | 27.41  | 1.48 | 57     | 477   | 25.13  | 1.62 | 64     | 418   | 22.05  | 1.84 | 68     | 396   | 20.90  | 1.94 | 78     | 347   | 18.29  | 2.2  | 86     | 313   | 16.48  | 2.5  | 98     | 274   | 14.46  | 2.8  | 2.5    | 19950 | 845    | 0.85 | 1.9    | 18038 | 764    | 0.94 | 2.1    | 16055 | 680    | 1.05 | 2.5    | 13599 | 576    | 1.24 | 3.2    | 10530 | 446    | 1.61 | 4.8    | 7107  | 301    | 2.4  | 5.3    | 6422  | 272    | 2.6  | 6.2    | 5454  | 231    | 3.1  | 7.3    | 4628  | 196    | 3.7  | 2.7    | 12796 | 542    | 0.88 | 2.9    | 11545 | 489    | 0.98 | 3.4    | 9987  | 423    | 1.13 | 3.9    | 8759  | 371    | 1.29 | 4.4    | 7720  | 327    | 0.94 | 5.1    | 6729  | 285    | 1.07 | 6.5    | 5218  | 221    | 1.38 | 4.2   | 8594  | 172.33 | 1.31 | 4.6   | 7721  | 154.81 | 1.46 | 5.7   | 6269  | 125.71 | 1.80  | 5.6   | 6365  | 255.25 | 1.16  | 6.7   | 5363  | 215.04 | 1.37  | 7.2   | 4970  | 199.31 | 1.48  | 8.1   | 4455  | 178.64 | 1.65  | 8.9   | 4022  | 161.28 | 1.83  | 9.8   | 3653  | 146.49 | 2.02  | 11    | 3241  | 129.97 | 2.3   | 12    | 2941  | 117.94 | 2.5  | 14    | 2528  | 101.38 | 2.9   |       |       |        |       |       |       |        |      |       |       |        |       |       |       |        |       |       |       |        |      |       |       |        |       |       |       |        |       |        |       |        |       |        |       |        |       |        |       |        |       |        |       |        |      |        |       |        |      |        |       |        |       |        |       |        |       |        |       |        |       |        |       |        |       |        |       |        |       |        |       |        |       |        |       |        |       |        |       |        |       |        |       |        |       |        |       |        |       |        |      |        |       |        |       |        |      |        |       |        |      |        |      |        |       |        |       |        |       |        |       |        |       |        |      |        |      |        |      |        |      |        |      |        |      |        |      |        |      |        |      |        |      |        |      |        |      |        |      |        |      |        |      |        |      |        |      |        |      |        |      |        |      |        |      |        |      |        |      |        |      |        |      |        |      |        |      |        |      |        |      |        |      |        |      |        |      |        |      |        |      |
| 37            | 723        | 38.12    | 1.95                   | 39          | 694     | 36.52         | 1.5        | 45       | 598                    | 31.45       | 2.2     | 49     | 545   | 28.59  | 2.5  | 56     | 484   | 25.50  | 2.9  | 66     | 406   | 21.43  | 3.5  | 33     | 819   | 43.20  | 0.94 | 36     | 745   | 39.26  | 0.98 | 42     | 645   | 34.01  | 1.08 | 44     | 608   | 32.08  | 1.27 | 52    | 520   | 27.41  | 1.48 | 57     | 477   | 25.13  | 1.62 | 64     | 418   | 22.05  | 1.84 | 68     | 396   | 20.90  | 1.94 | 78     | 347   | 18.29  | 2.2  | 86     | 313   | 16.48  | 2.5  | 98     | 274   | 14.46  | 2.8  | 2.5    | 19950 | 845    | 0.85 | 1.9    | 18038 | 764    | 0.94 | 2.1    | 16055 | 680    | 1.05 | 2.5    | 13599 | 576    | 1.24 | 3.2    | 10530 | 446    | 1.61 | 4.8    | 7107  | 301    | 2.4  | 5.3    | 6422  | 272    | 2.6  | 6.2    | 5454  | 231    | 3.1  | 7.3    | 4628  | 196    | 3.7  | 2.7    | 12796 | 542    | 0.88 | 2.9    | 11545 | 489    | 0.98 | 3.4    | 9987  | 423    | 1.13 | 3.9    | 8759  | 371    | 1.29 | 4.4    | 7720  | 327    | 0.94 | 5.1    | 6729  | 285    | 1.07 | 6.5    | 5218  | 221    | 1.38 | 4.2    | 8594  | 172.33 | 1.31 | 4.6   | 7721  | 154.81 | 1.46 | 5.7   | 6269  | 125.71 | 1.80 | 5.6   | 6365  | 255.25 | 1.16  | 6.7   | 5363  | 215.04 | 1.37  | 7.2   | 4970  | 199.31 | 1.48  | 8.1   | 4455  | 178.64 | 1.65  | 8.9   | 4022  | 161.28 | 1.83  | 9.8   | 3653  | 146.49 | 2.02  | 11    | 3241  | 129.97 | 2.3   | 12    | 2941  | 117.94 | 2.5   | 14    | 2528  | 101.38 | 2.9  |       |       |        |       |       |       |        |       |       |       |        |      |       |       |        |       |       |       |        |       |       |       |        |      |       |       |        |       |       |       |        |       |        |       |        |       |        |       |        |       |        |       |        |       |        |       |        |      |        |       |        |      |        |       |        |       |        |       |        |       |        |       |        |       |        |       |        |       |        |       |        |       |        |       |        |       |        |       |        |       |        |       |        |       |        |       |        |       |        |       |        |       |        |      |        |       |        |       |        |      |        |       |        |      |        |      |        |       |        |       |        |       |        |       |        |       |        |      |        |      |        |      |        |      |        |      |        |      |        |      |        |      |        |      |        |      |        |      |        |      |        |      |        |      |        |      |        |      |        |      |        |      |        |      |        |      |        |      |        |      |        |      |        |      |        |      |        |      |        |      |        |      |        |      |        |      |        |      |        |      |        |      |        |      |
| 39            | 694        | 36.52    | 1.5                    | 45          | 598     | 31.45         | 2.2        | 49       | 545                    | 28.59       | 2.5     | 56     | 484   | 25.50  | 2.9  | 66     | 406   | 21.43  | 3.5  | 33     | 819   | 43.20  | 0.94 | 36     | 745   | 39.26  | 0.98 | 42     | 645   | 34.01  | 1.08 | 44     | 608   | 32.08  | 1.27 | 52     | 520   | 27.41  | 1.48 | 57    | 477   | 25.13  | 1.62 | 64     | 418   | 22.05  | 1.84 | 68     | 396   | 20.90  | 1.94 | 78     | 347   | 18.29  | 2.2  | 86     | 313   | 16.48  | 2.5  | 98     | 274   | 14.46  | 2.8  | 2.5    | 19950 | 845    | 0.85 | 1.9    | 18038 | 764    | 0.94 | 2.1    | 16055 | 680    | 1.05 | 2.5    | 13599 | 576    | 1.24 | 3.2    | 10530 | 446    | 1.61 | 4.8    | 7107  | 301    | 2.4  | 5.3    | 6422  | 272    | 2.6  | 6.2    | 5454  | 231    | 3.1  | 7.3    | 4628  | 196    | 3.7  | 2.7    | 12796 | 542    | 0.88 | 2.9    | 11545 | 489    | 0.98 | 3.4    | 9987  | 423    | 1.13 | 3.9    | 8759  | 371    | 1.29 | 4.4    | 7720  | 327    | 0.94 | 5.1    | 6729  | 285    | 1.07 | 6.5    | 5218  | 221    | 1.38 | 4.2    | 8594  | 172.33 | 1.31 | 4.6    | 7721  | 154.81 | 1.46 | 5.7   | 6269  | 125.71 | 1.80 | 5.6   | 6365  | 255.25 | 1.16 | 6.7   | 5363  | 215.04 | 1.37  | 7.2   | 4970  | 199.31 | 1.48  | 8.1   | 4455  | 178.64 | 1.65  | 8.9   | 4022  | 161.28 | 1.83  | 9.8   | 3653  | 146.49 | 2.02  | 11    | 3241  | 129.97 | 2.3   | 12    | 2941  | 117.94 | 2.5   | 14    | 2528  | 101.38 | 2.9   |       |       |        |      |       |       |        |       |       |       |        |       |       |       |        |      |       |       |        |       |       |       |        |       |       |       |        |      |       |       |        |       |       |       |        |       |        |       |        |       |        |       |        |       |        |       |        |       |        |       |        |      |        |       |        |      |        |       |        |       |        |       |        |       |        |       |        |       |        |       |        |       |        |       |        |       |        |       |        |       |        |       |        |       |        |       |        |       |        |       |        |       |        |       |        |       |        |      |        |       |        |       |        |      |        |       |        |      |        |      |        |       |        |       |        |       |        |       |        |       |        |      |        |      |        |      |        |      |        |      |        |      |        |      |        |      |        |      |        |      |        |      |        |      |        |      |        |      |        |      |        |      |        |      |        |      |        |      |        |      |        |      |        |      |        |      |        |      |        |      |        |      |        |      |        |      |        |      |        |      |        |      |        |      |        |      |        |      |
| 45            | 598        | 31.45    | 2.2                    | 49          | 545     | 28.59         | 2.5        | 56       | 484                    | 25.50       | 2.9     | 66     | 406   | 21.43  | 3.5  | 33     | 819   | 43.20  | 0.94 | 36     | 745   | 39.26  | 0.98 | 42     | 645   | 34.01  | 1.08 | 44     | 608   | 32.08  | 1.27 | 52     | 520   | 27.41  | 1.48 | 57     | 477   | 25.13  | 1.62 | 64    | 418   | 22.05  | 1.84 | 68     | 396   | 20.90  | 1.94 | 78     | 347   | 18.29  | 2.2  | 86     | 313   | 16.48  | 2.5  | 98     | 274   | 14.46  | 2.8  | 2.5    | 19950 | 845    | 0.85 | 1.9    | 18038 | 764    | 0.94 | 2.1    | 16055 | 680    | 1.05 | 2.5    | 13599 | 576    | 1.24 | 3.2    | 10530 | 446    | 1.61 | 4.8    | 7107  | 301    | 2.4  | 5.3    | 6422  | 272    | 2.6  | 6.2    | 5454  | 231    | 3.1  | 7.3    | 4628  | 196    | 3.7  | 2.7    | 12796 | 542    | 0.88 | 2.9    | 11545 | 489    | 0.98 | 3.4    | 9987  | 423    | 1.13 | 3.9    | 8759  | 371    | 1.29 | 4.4    | 7720  | 327    | 0.94 | 5.1    | 6729  | 285    | 1.07 | 6.5    | 5218  | 221    | 1.38 | 4.2    | 8594  | 172.33 | 1.31 | 4.6    | 7721  | 154.81 | 1.46 | 5.7    | 6269  | 125.71 | 1.80 | 5.6   | 6365  | 255.25 | 1.16 | 6.7   | 5363  | 215.04 | 1.37 | 7.2   | 4970  | 199.31 | 1.48  | 8.1   | 4455  | 178.64 | 1.65  | 8.9   | 4022  | 161.28 | 1.83  | 9.8   | 3653  | 146.49 | 2.02  | 11    | 3241  | 129.97 | 2.3   | 12    | 2941  | 117.94 | 2.5   | 14    | 2528  | 101.38 | 2.9   |       |       |        |       |       |       |        |      |       |       |        |       |       |       |        |       |       |       |        |      |       |       |        |       |       |       |        |       |       |       |        |      |       |       |        |       |       |       |        |       |        |       |        |       |        |       |        |       |        |       |        |       |        |       |        |      |        |       |        |      |        |       |        |       |        |       |        |       |        |       |        |       |        |       |        |       |        |       |        |       |        |       |        |       |        |       |        |       |        |       |        |       |        |       |        |       |        |       |        |       |        |      |        |       |        |       |        |      |        |       |        |      |        |      |        |       |        |       |        |       |        |       |        |       |        |      |        |      |        |      |        |      |        |      |        |      |        |      |        |      |        |      |        |      |        |      |        |      |        |      |        |      |        |      |        |      |        |      |        |      |        |      |        |      |        |      |        |      |        |      |        |      |        |      |        |      |        |      |        |      |        |      |        |      |        |      |        |      |        |      |        |      |
| 49            | 545        | 28.59    | 2.5                    | 56          | 484     | 25.50         | 2.9        | 66       | 406                    | 21.43       | 3.5     | 33     | 819   | 43.20  | 0.94 | 36     | 745   | 39.26  | 0.98 | 42     | 645   | 34.01  | 1.08 | 44     | 608   | 32.08  | 1.27 | 52     | 520   | 27.41  | 1.48 | 57     | 477   | 25.13  | 1.62 | 64     | 418   | 22.05  | 1.84 | 68    | 396   | 20.90  | 1.94 | 78     | 347   | 18.29  | 2.2  | 86     | 313   | 16.48  | 2.5  | 98     | 274   | 14.46  | 2.8  | 2.5    | 19950 | 845    | 0.85 | 1.9    | 18038 | 764    | 0.94 | 2.1    | 16055 | 680    | 1.05 | 2.5    | 13599 | 576    | 1.24 | 3.2    | 10530 | 446    | 1.61 | 4.8    | 7107  | 301    | 2.4  | 5.3    | 6422  | 272    | 2.6  | 6.2    | 5454  | 231    | 3.1  | 7.3    | 4628  | 196    | 3.7  | 2.7    | 12796 | 542    | 0.88 | 2.9    | 11545 | 489    | 0.98 | 3.4    | 9987  | 423    | 1.13 | 3.9    | 8759  | 371    | 1.29 | 4.4    | 7720  | 327    | 0.94 | 5.1    | 6729  | 285    | 1.07 | 6.5    | 5218  | 221    | 1.38 | 4.2    | 8594  | 172.33 | 1.31 | 4.6    | 7721  | 154.81 | 1.46 | 5.7    | 6269  | 125.71 | 1.80 | 5.6    | 6365  | 255.25 | 1.16 | 6.7   | 5363  | 215.04 | 1.37 | 7.2   | 4970  | 199.31 | 1.48 | 8.1   | 4455  | 178.64 | 1.65  | 8.9   | 4022  | 161.28 | 1.83  | 9.8   | 3653  | 146.49 | 2.02  | 11    | 3241  | 129.97 | 2.3   | 12    | 2941  | 117.94 | 2.5   | 14    | 2528  | 101.38 | 2.9   |       |       |        |       |       |       |        |       |       |       |        |      |       |       |        |       |       |       |        |       |       |       |        |      |       |       |        |       |       |       |        |       |       |       |        |      |       |       |        |       |       |       |        |       |        |       |        |       |        |       |        |       |        |       |        |       |        |       |        |      |        |       |        |      |        |       |        |       |        |       |        |       |        |       |        |       |        |       |        |       |        |       |        |       |        |       |        |       |        |       |        |       |        |       |        |       |        |       |        |       |        |       |        |       |        |      |        |       |        |       |        |      |        |       |        |      |        |      |        |       |        |       |        |       |        |       |        |       |        |      |        |      |        |      |        |      |        |      |        |      |        |      |        |      |        |      |        |      |        |      |        |      |        |      |        |      |        |      |        |      |        |      |        |      |        |      |        |      |        |      |        |      |        |      |        |      |        |      |        |      |        |      |        |      |        |      |        |      |        |      |        |      |        |      |        |      |
| 56            | 484        | 25.50    | 2.9                    | 66          | 406     | 21.43         | 3.5        | 33       | 819                    | 43.20       | 0.94    | 36     | 745   | 39.26  | 0.98 | 42     | 645   | 34.01  | 1.08 | 44     | 608   | 32.08  | 1.27 | 52     | 520   | 27.41  | 1.48 | 57     | 477   | 25.13  | 1.62 | 64     | 418   | 22.05  | 1.84 | 68     | 396   | 20.90  | 1.94 | 78    | 347   | 18.29  | 2.2  | 86     | 313   | 16.48  | 2.5  | 98     | 274   | 14.46  | 2.8  | 2.5    | 19950 | 845    | 0.85 | 1.9    | 18038 | 764    | 0.94 | 2.1    | 16055 | 680    | 1.05 | 2.5    | 13599 | 576    | 1.24 | 3.2    | 10530 | 446    | 1.61 | 4.8    | 7107  | 301    | 2.4  | 5.3    | 6422  | 272    | 2.6  | 6.2    | 5454  | 231    | 3.1  | 7.3    | 4628  | 196    | 3.7  | 2.7    | 12796 | 542    | 0.88 | 2.9    | 11545 | 489    | 0.98 | 3.4    | 9987  | 423    | 1.13 | 3.9    | 8759  | 371    | 1.29 | 4.4    | 7720  | 327    | 0.94 | 5.1    | 6729  | 285    | 1.07 | 6.5    | 5218  | 221    | 1.38 | 4.2    | 8594  | 172.33 | 1.31 | 4.6    | 7721  | 154.81 | 1.46 | 5.7    | 6269  | 125.71 | 1.80 | 5.6    | 6365  | 255.25 | 1.16 | 6.7    | 5363  | 215.04 | 1.37 | 7.2   | 4970  | 199.31 | 1.48 | 8.1   | 4455  | 178.64 | 1.65 | 8.9   | 4022  | 161.28 | 1.83  | 9.8   | 3653  | 146.49 | 2.02  | 11    | 3241  | 129.97 | 2.3   | 12    | 2941  | 117.94 | 2.5   | 14    | 2528  | 101.38 | 2.9   |       |       |        |       |       |       |        |       |       |       |        |       |       |       |        |      |       |       |        |       |       |       |        |       |       |       |        |      |       |       |        |       |       |       |        |       |       |       |        |      |       |       |        |       |       |       |        |       |        |       |        |       |        |       |        |       |        |       |        |       |        |       |        |      |        |       |        |      |        |       |        |       |        |       |        |       |        |       |        |       |        |       |        |       |        |       |        |       |        |       |        |       |        |       |        |       |        |       |        |       |        |       |        |       |        |       |        |       |        |      |        |       |        |       |        |      |        |       |        |      |        |      |        |       |        |       |        |       |        |       |        |       |        |      |        |      |        |      |        |      |        |      |        |      |        |      |        |      |        |      |        |      |        |      |        |      |        |      |        |      |        |      |        |      |        |      |        |      |        |      |        |      |        |      |        |      |        |      |        |      |        |      |        |      |        |      |        |      |        |      |        |      |        |      |        |      |        |      |        |      |
| 66            | 406        | 21.43    | 3.5                    | 33          | 819     | 43.20         | 0.94       | 36       | 745                    | 39.26       | 0.98    | 42     | 645   | 34.01  | 1.08 | 44     | 608   | 32.08  | 1.27 | 52     | 520   | 27.41  | 1.48 | 57     | 477   | 25.13  | 1.62 | 64     | 418   | 22.05  | 1.84 | 68     | 396   | 20.90  | 1.94 | 78     | 347   | 18.29  | 2.2  | 86    | 313   | 16.48  | 2.5  | 98     | 274   | 14.46  | 2.8  | 2.5    | 19950 | 845    | 0.85 | 1.9    | 18038 | 764    | 0.94 | 2.1    | 16055 | 680    | 1.05 | 2.5    | 13599 | 576    | 1.24 | 3.2    | 10530 | 446    | 1.61 | 4.8    | 7107  | 301    | 2.4  | 5.3    | 6422  | 272    | 2.6  | 6.2    | 5454  | 231    | 3.1  | 7.3    | 4628  | 196    | 3.7  | 2.7    | 12796 | 542    | 0.88 | 2.9    | 11545 | 489    | 0.98 | 3.4    | 9987  | 423    | 1.13 | 3.9    | 8759  | 371    | 1.29 | 4.4    | 7720  | 327    | 0.94 | 5.1    | 6729  | 285    | 1.07 | 6.5    | 5218  | 221    | 1.38 | 4.2    | 8594  | 172.33 | 1.31 | 4.6    | 7721  | 154.81 | 1.46 | 5.7    | 6269  | 125.71 | 1.80 | 5.6    | 6365  | 255.25 | 1.16 | 6.7    | 5363  | 215.04 | 1.37 | 7.2    | 4970  | 199.31 | 1.48 | 8.1   | 4455  | 178.64 | 1.65 | 8.9   | 4022  | 161.28 | 1.83 | 9.8   | 3653  | 146.49 | 2.02  | 11    | 3241  | 129.97 | 2.3   | 12    | 2941  | 117.94 | 2.5   | 14    | 2528  | 101.38 | 2.9   |       |       |        |       |       |       |        |       |       |       |        |       |       |       |        |       |       |       |        |      |       |       |        |       |       |       |        |       |       |       |        |      |       |       |        |       |       |       |        |       |       |       |        |      |       |       |        |       |       |       |        |       |        |       |        |       |        |       |        |       |        |       |        |       |        |       |        |      |        |       |        |      |        |       |        |       |        |       |        |       |        |       |        |       |        |       |        |       |        |       |        |       |        |       |        |       |        |       |        |       |        |       |        |       |        |       |        |       |        |       |        |       |        |      |        |       |        |       |        |      |        |       |        |      |        |      |        |       |        |       |        |       |        |       |        |       |        |      |        |      |        |      |        |      |        |      |        |      |        |      |        |      |        |      |        |      |        |      |        |      |        |      |        |      |        |      |        |      |        |      |        |      |        |      |        |      |        |      |        |      |        |      |        |      |        |      |        |      |        |      |        |      |        |      |        |      |        |      |        |      |        |      |        |      |
| 33            | 819        | 43.20    | 0.94                   | 36          | 745     | 39.26         | 0.98       | 42       | 645                    | 34.01       | 1.08    | 44     | 608   | 32.08  | 1.27 | 52     | 520   | 27.41  | 1.48 | 57     | 477   | 25.13  | 1.62 | 64     | 418   | 22.05  | 1.84 | 68     | 396   | 20.90  | 1.94 | 78     | 347   | 18.29  | 2.2  | 86     | 313   | 16.48  | 2.5  | 98    | 274   | 14.46  | 2.8  | 2.5    | 19950 | 845    | 0.85 | 1.9    | 18038 | 764    | 0.94 | 2.1    | 16055 | 680    | 1.05 | 2.5    | 13599 | 576    | 1.24 | 3.2    | 10530 | 446    | 1.61 | 4.8    | 7107  | 301    | 2.4  | 5.3    | 6422  | 272    | 2.6  | 6.2    | 5454  | 231    | 3.1  | 7.3    | 4628  | 196    | 3.7  | 2.7    | 12796 | 542    | 0.88 | 2.9    | 11545 | 489    | 0.98 | 3.4    | 9987  | 423    | 1.13 | 3.9    | 8759  | 371    | 1.29 | 4.4    | 7720  | 327    | 0.94 | 5.1    | 6729  | 285    | 1.07 | 6.5    | 5218  | 221    | 1.38 | 4.2    | 8594  | 172.33 | 1.31 | 4.6    | 7721  | 154.81 | 1.46 | 5.7    | 6269  | 125.71 | 1.80 | 5.6    | 6365  | 255.25 | 1.16 | 6.7    | 5363  | 215.04 | 1.37 | 7.2    | 4970  | 199.31 | 1.48 | 8.1    | 4455  | 178.64 | 1.65 | 8.9   | 4022  | 161.28 | 1.83 | 9.8   | 3653  | 146.49 | 2.02 | 11    | 3241  | 129.97 | 2.3   | 12    | 2941  | 117.94 | 2.5   | 14    | 2528  | 101.38 | 2.9   |       |       |        |       |       |       |        |       |       |       |        |       |       |       |        |       |       |       |        |       |       |       |        |      |       |       |        |       |       |       |        |       |       |       |        |      |       |       |        |       |       |       |        |       |       |       |        |      |       |       |        |       |       |       |        |       |        |       |        |       |        |       |        |       |        |       |        |       |        |       |        |      |        |       |        |      |        |       |        |       |        |       |        |       |        |       |        |       |        |       |        |       |        |       |        |       |        |       |        |       |        |       |        |       |        |       |        |       |        |       |        |       |        |       |        |       |        |      |        |       |        |       |        |      |        |       |        |      |        |      |        |       |        |       |        |       |        |       |        |       |        |      |        |      |        |      |        |      |        |      |        |      |        |      |        |      |        |      |        |      |        |      |        |      |        |      |        |      |        |      |        |      |        |      |        |      |        |      |        |      |        |      |        |      |        |      |        |      |        |      |        |      |        |      |        |      |        |      |        |      |        |      |        |      |        |      |        |      |
| 36            | 745        | 39.26    | 0.98                   | 42          | 645     | 34.01         | 1.08       | 44       | 608                    | 32.08       | 1.27    | 52     | 520   | 27.41  | 1.48 | 57     | 477   | 25.13  | 1.62 | 64     | 418   | 22.05  | 1.84 | 68     | 396   | 20.90  | 1.94 | 78     | 347   | 18.29  | 2.2  | 86     | 313   | 16.48  | 2.5  | 98     | 274   | 14.46  | 2.8  | 2.5   | 19950 | 845    | 0.85 | 1.9    | 18038 | 764    | 0.94 | 2.1    | 16055 | 680    | 1.05 | 2.5    | 13599 | 576    | 1.24 | 3.2    | 10530 | 446    | 1.61 | 4.8    | 7107  | 301    | 2.4  | 5.3    | 6422  | 272    | 2.6  | 6.2    | 5454  | 231    | 3.1  | 7.3    | 4628  | 196    | 3.7  | 2.7    | 12796 | 542    | 0.88 | 2.9    | 11545 | 489    | 0.98 | 3.4    | 9987  | 423    | 1.13 | 3.9    | 8759  | 371    | 1.29 | 4.4    | 7720  | 327    | 0.94 | 5.1    | 6729  | 285    | 1.07 | 6.5    | 5218  | 221    | 1.38 | 4.2    | 8594  | 172.33 | 1.31 | 4.6    | 7721  | 154.81 | 1.46 | 5.7    | 6269  | 125.71 | 1.80 | 5.6    | 6365  | 255.25 | 1.16 | 6.7    | 5363  | 215.04 | 1.37 | 7.2    | 4970  | 199.31 | 1.48 | 8.1    | 4455  | 178.64 | 1.65 | 8.9    | 4022  | 161.28 | 1.83 | 9.8   | 3653  | 146.49 | 2.02 | 11    | 3241  | 129.97 | 2.3  | 12    | 2941  | 117.94 | 2.5   | 14    | 2528  | 101.38 | 2.9   |       |       |        |       |       |       |        |       |       |       |        |       |       |       |        |       |       |       |        |       |       |       |        |       |       |       |        |      |       |       |        |       |       |       |        |       |       |       |        |      |       |       |        |       |       |       |        |       |       |       |        |      |       |       |        |       |       |       |        |       |        |       |        |       |        |       |        |       |        |       |        |       |        |       |        |      |        |       |        |      |        |       |        |       |        |       |        |       |        |       |        |       |        |       |        |       |        |       |        |       |        |       |        |       |        |       |        |       |        |       |        |       |        |       |        |       |        |       |        |       |        |      |        |       |        |       |        |      |        |       |        |      |        |      |        |       |        |       |        |       |        |       |        |       |        |      |        |      |        |      |        |      |        |      |        |      |        |      |        |      |        |      |        |      |        |      |        |      |        |      |        |      |        |      |        |      |        |      |        |      |        |      |        |      |        |      |        |      |        |      |        |      |        |      |        |      |        |      |        |      |        |      |        |      |        |      |        |      |        |      |        |      |
| 42            | 645        | 34.01    | 1.08                   | 44          | 608     | 32.08         | 1.27       | 52       | 520                    | 27.41       | 1.48    | 57     | 477   | 25.13  | 1.62 | 64     | 418   | 22.05  | 1.84 | 68     | 396   | 20.90  | 1.94 | 78     | 347   | 18.29  | 2.2  | 86     | 313   | 16.48  | 2.5  | 98     | 274   | 14.46  | 2.8  | 2.5    | 19950 | 845    | 0.85 | 1.9   | 18038 | 764    | 0.94 | 2.1    | 16055 | 680    | 1.05 | 2.5    | 13599 | 576    | 1.24 | 3.2    | 10530 | 446    | 1.61 | 4.8    | 7107  | 301    | 2.4  | 5.3    | 6422  | 272    | 2.6  | 6.2    | 5454  | 231    | 3.1  | 7.3    | 4628  | 196    | 3.7  | 2.7    | 12796 | 542    | 0.88 | 2.9    | 11545 | 489    | 0.98 | 3.4    | 9987  | 423    | 1.13 | 3.9    | 8759  | 371    | 1.29 | 4.4    | 7720  | 327    | 0.94 | 5.1    | 6729  | 285    | 1.07 | 6.5    | 5218  | 221    | 1.38 | 4.2    | 8594  | 172.33 | 1.31 | 4.6    | 7721  | 154.81 | 1.46 | 5.7    | 6269  | 125.71 | 1.80 | 5.6    | 6365  | 255.25 | 1.16 | 6.7    | 5363  | 215.04 | 1.37 | 7.2    | 4970  | 199.31 | 1.48 | 8.1    | 4455  | 178.64 | 1.65 | 8.9    | 4022  | 161.28 | 1.83 | 9.8    | 3653  | 146.49 | 2.02 | 11    | 3241  | 129.97 | 2.3  | 12    | 2941  | 117.94 | 2.5  | 14    | 2528  | 101.38 | 2.9   |       |       |        |       |       |       |        |       |       |       |        |       |       |       |        |       |       |       |        |       |       |       |        |       |       |       |        |       |       |       |        |      |       |       |        |       |       |       |        |       |       |       |        |      |       |       |        |       |       |       |        |       |       |       |        |      |       |       |        |       |       |       |        |       |        |       |        |       |        |       |        |       |        |       |        |       |        |       |        |      |        |       |        |      |        |       |        |       |        |       |        |       |        |       |        |       |        |       |        |       |        |       |        |       |        |       |        |       |        |       |        |       |        |       |        |       |        |       |        |       |        |       |        |       |        |      |        |       |        |       |        |      |        |       |        |      |        |      |        |       |        |       |        |       |        |       |        |       |        |      |        |      |        |      |        |      |        |      |        |      |        |      |        |      |        |      |        |      |        |      |        |      |        |      |        |      |        |      |        |      |        |      |        |      |        |      |        |      |        |      |        |      |        |      |        |      |        |      |        |      |        |      |        |      |        |      |        |      |        |      |        |      |        |      |        |      |
| 44            | 608        | 32.08    | 1.27                   | 52          | 520     | 27.41         | 1.48       | 57       | 477                    | 25.13       | 1.62    | 64     | 418   | 22.05  | 1.84 | 68     | 396   | 20.90  | 1.94 | 78     | 347   | 18.29  | 2.2  | 86     | 313   | 16.48  | 2.5  | 98     | 274   | 14.46  | 2.8  | 2.5    | 19950 | 845    | 0.85 | 1.9    | 18038 | 764    | 0.94 | 2.1   | 16055 | 680    | 1.05 | 2.5    | 13599 | 576    | 1.24 | 3.2    | 10530 | 446    | 1.61 | 4.8    | 7107  | 301    | 2.4  | 5.3    | 6422  | 272    | 2.6  | 6.2    | 5454  | 231    | 3.1  | 7.3    | 4628  | 196    | 3.7  | 2.7    | 12796 | 542    | 0.88 | 2.9    | 11545 | 489    | 0.98 | 3.4    | 9987  | 423    | 1.13 | 3.9    | 8759  | 371    | 1.29 | 4.4    | 7720  | 327    | 0.94 | 5.1    | 6729  | 285    | 1.07 | 6.5    | 5218  | 221    | 1.38 | 4.2    | 8594  | 172.33 | 1.31 | 4.6    | 7721  | 154.81 | 1.46 | 5.7    | 6269  | 125.71 | 1.80 | 5.6    | 6365  | 255.25 | 1.16 | 6.7    | 5363  | 215.04 | 1.37 | 7.2    | 4970  | 199.31 | 1.48 | 8.1    | 4455  | 178.64 | 1.65 | 8.9    | 4022  | 161.28 | 1.83 | 9.8    | 3653  | 146.49 | 2.02 | 11     | 3241  | 129.97 | 2.3  | 12    | 2941  | 117.94 | 2.5  | 14    | 2528  | 101.38 | 2.9  |       |       |        |       |       |       |        |       |       |       |        |       |       |       |        |       |       |       |        |       |       |       |        |       |       |       |        |       |       |       |        |       |       |       |        |      |       |       |        |       |       |       |        |       |       |       |        |      |       |       |        |       |       |       |        |       |       |       |        |      |       |       |        |       |       |       |        |       |        |       |        |       |        |       |        |       |        |       |        |       |        |       |        |      |        |       |        |      |        |       |        |       |        |       |        |       |        |       |        |       |        |       |        |       |        |       |        |       |        |       |        |       |        |       |        |       |        |       |        |       |        |       |        |       |        |       |        |       |        |      |        |       |        |       |        |      |        |       |        |      |        |      |        |       |        |       |        |       |        |       |        |       |        |      |        |      |        |      |        |      |        |      |        |      |        |      |        |      |        |      |        |      |        |      |        |      |        |      |        |      |        |      |        |      |        |      |        |      |        |      |        |      |        |      |        |      |        |      |        |      |        |      |        |      |        |      |        |      |        |      |        |      |        |      |        |      |        |      |        |      |
| 52            | 520        | 27.41    | 1.48                   | 57          | 477     | 25.13         | 1.62       | 64       | 418                    | 22.05       | 1.84    | 68     | 396   | 20.90  | 1.94 | 78     | 347   | 18.29  | 2.2  | 86     | 313   | 16.48  | 2.5  | 98     | 274   | 14.46  | 2.8  | 2.5    | 19950 | 845    | 0.85 | 1.9    | 18038 | 764    | 0.94 | 2.1    | 16055 | 680    | 1.05 | 2.5   | 13599 | 576    | 1.24 | 3.2    | 10530 | 446    | 1.61 | 4.8    | 7107  | 301    | 2.4  | 5.3    | 6422  | 272    | 2.6  | 6.2    | 5454  | 231    | 3.1  | 7.3    | 4628  | 196    | 3.7  | 2.7    | 12796 | 542    | 0.88 | 2.9    | 11545 | 489    | 0.98 | 3.4    | 9987  | 423    | 1.13 | 3.9    | 8759  | 371    | 1.29 | 4.4    | 7720  | 327    | 0.94 | 5.1    | 6729  | 285    | 1.07 | 6.5    | 5218  | 221    | 1.38 | 4.2    | 8594  | 172.33 | 1.31 | 4.6    | 7721  | 154.81 | 1.46 | 5.7    | 6269  | 125.71 | 1.80 | 5.6    | 6365  | 255.25 | 1.16 | 6.7    | 5363  | 215.04 | 1.37 | 7.2    | 4970  | 199.31 | 1.48 | 8.1    | 4455  | 178.64 | 1.65 | 8.9    | 4022  | 161.28 | 1.83 | 9.8    | 3653  | 146.49 | 2.02 | 11     | 3241  | 129.97 | 2.3  | 12     | 2941  | 117.94 | 2.5  | 14    | 2528  | 101.38 | 2.9  |       |       |        |      |       |       |        |       |       |       |        |       |       |       |        |       |       |       |        |       |       |       |        |       |       |       |        |       |       |       |        |       |       |       |        |       |       |       |        |      |       |       |        |       |       |       |        |       |       |       |        |      |       |       |        |       |       |       |        |       |       |       |        |      |       |       |        |       |       |       |        |       |        |       |        |       |        |       |        |       |        |       |        |       |        |       |        |      |        |       |        |      |        |       |        |       |        |       |        |       |        |       |        |       |        |       |        |       |        |       |        |       |        |       |        |       |        |       |        |       |        |       |        |       |        |       |        |       |        |       |        |       |        |      |        |       |        |       |        |      |        |       |        |      |        |      |        |       |        |       |        |       |        |       |        |       |        |      |        |      |        |      |        |      |        |      |        |      |        |      |        |      |        |      |        |      |        |      |        |      |        |      |        |      |        |      |        |      |        |      |        |      |        |      |        |      |        |      |        |      |        |      |        |      |        |      |        |      |        |      |        |      |        |      |        |      |        |      |        |      |        |      |        |      |
| 57            | 477        | 25.13    | 1.62                   | 64          | 418     | 22.05         | 1.84       | 68       | 396                    | 20.90       | 1.94    | 78     | 347   | 18.29  | 2.2  | 86     | 313   | 16.48  | 2.5  | 98     | 274   | 14.46  | 2.8  | 2.5    | 19950 | 845    | 0.85 | 1.9    | 18038 | 764    | 0.94 | 2.1    | 16055 | 680    | 1.05 | 2.5    | 13599 | 576    | 1.24 | 3.2   | 10530 | 446    | 1.61 | 4.8    | 7107  | 301    | 2.4  | 5.3    | 6422  | 272    | 2.6  | 6.2    | 5454  | 231    | 3.1  | 7.3    | 4628  | 196    | 3.7  | 2.7    | 12796 | 542    | 0.88 | 2.9    | 11545 | 489    | 0.98 | 3.4    | 9987  | 423    | 1.13 | 3.9    | 8759  | 371    | 1.29 | 4.4    | 7720  | 327    | 0.94 | 5.1    | 6729  | 285    | 1.07 | 6.5    | 5218  | 221    | 1.38 | 4.2    | 8594  | 172.33 | 1.31 | 4.6    | 7721  | 154.81 | 1.46 | 5.7    | 6269  | 125.71 | 1.80 | 5.6    | 6365  | 255.25 | 1.16 | 6.7    | 5363  | 215.04 | 1.37 | 7.2    | 4970  | 199.31 | 1.48 | 8.1    | 4455  | 178.64 | 1.65 | 8.9    | 4022  | 161.28 | 1.83 | 9.8    | 3653  | 146.49 | 2.02 | 11     | 3241  | 129.97 | 2.3  | 12     | 2941  | 117.94 | 2.5  | 14     | 2528  | 101.38 | 2.9  |       |       |        |      |       |       |        |      |       |       |        |       |       |       |        |       |       |       |        |       |       |       |        |       |       |       |        |       |       |       |        |       |       |       |        |       |       |       |        |       |       |       |        |      |       |       |        |       |       |       |        |       |       |       |        |      |       |       |        |       |       |       |        |       |       |       |        |      |       |       |        |       |       |       |        |       |        |       |        |       |        |       |        |       |        |       |        |       |        |       |        |      |        |       |        |      |        |       |        |       |        |       |        |       |        |       |        |       |        |       |        |       |        |       |        |       |        |       |        |       |        |       |        |       |        |       |        |       |        |       |        |       |        |       |        |       |        |      |        |       |        |       |        |      |        |       |        |      |        |      |        |       |        |       |        |       |        |       |        |       |        |      |        |      |        |      |        |      |        |      |        |      |        |      |        |      |        |      |        |      |        |      |        |      |        |      |        |      |        |      |        |      |        |      |        |      |        |      |        |      |        |      |        |      |        |      |        |      |        |      |        |      |        |      |        |      |        |      |        |      |        |      |        |      |        |      |        |      |
| 64            | 418        | 22.05    | 1.84                   | 68          | 396     | 20.90         | 1.94       | 78       | 347                    | 18.29       | 2.2     | 86     | 313   | 16.48  | 2.5  | 98     | 274   | 14.46  | 2.8  | 2.5    | 19950 | 845    | 0.85 | 1.9    | 18038 | 764    | 0.94 | 2.1    | 16055 | 680    | 1.05 | 2.5    | 13599 | 576    | 1.24 | 3.2    | 10530 | 446    | 1.61 | 4.8   | 7107  | 301    | 2.4  | 5.3    | 6422  | 272    | 2.6  | 6.2    | 5454  | 231    | 3.1  | 7.3    | 4628  | 196    | 3.7  | 2.7    | 12796 | 542    | 0.88 | 2.9    | 11545 | 489    | 0.98 | 3.4    | 9987  | 423    | 1.13 | 3.9    | 8759  | 371    | 1.29 | 4.4    | 7720  | 327    | 0.94 | 5.1    | 6729  | 285    | 1.07 | 6.5    | 5218  | 221    | 1.38 | 4.2    | 8594  | 172.33 | 1.31 | 4.6    | 7721  | 154.81 | 1.46 | 5.7    | 6269  | 125.71 | 1.80 | 5.6    | 6365  | 255.25 | 1.16 | 6.7    | 5363  | 215.04 | 1.37 | 7.2    | 4970  | 199.31 | 1.48 | 8.1    | 4455  | 178.64 | 1.65 | 8.9    | 4022  | 161.28 | 1.83 | 9.8    | 3653  | 146.49 | 2.02 | 11     | 3241  | 129.97 | 2.3  | 12     | 2941  | 117.94 | 2.5  | 14     | 2528  | 101.38 | 2.9  |        |       |        |      |       |       |        |      |       |       |        |      |       |       |        |       |       |       |        |       |       |       |        |       |       |       |        |       |       |       |        |       |       |       |        |       |       |       |        |       |       |       |        |       |       |       |        |      |       |       |        |       |       |       |        |       |       |       |        |      |       |       |        |       |       |       |        |       |       |       |        |      |       |       |        |       |       |       |        |       |        |       |        |       |        |       |        |       |        |       |        |       |        |       |        |      |        |       |        |      |        |       |        |       |        |       |        |       |        |       |        |       |        |       |        |       |        |       |        |       |        |       |        |       |        |       |        |       |        |       |        |       |        |       |        |       |        |       |        |       |        |      |        |       |        |       |        |      |        |       |        |      |        |      |        |       |        |       |        |       |        |       |        |       |        |      |        |      |        |      |        |      |        |      |        |      |        |      |        |      |        |      |        |      |        |      |        |      |        |      |        |      |        |      |        |      |        |      |        |      |        |      |        |      |        |      |        |      |        |      |        |      |        |      |        |      |        |      |        |      |        |      |        |      |        |      |        |      |        |      |        |      |
| 68            | 396        | 20.90    | 1.94                   | 78          | 347     | 18.29         | 2.2        | 86       | 313                    | 16.48       | 2.5     | 98     | 274   | 14.46  | 2.8  | 2.5    | 19950 | 845    | 0.85 | 1.9    | 18038 | 764    | 0.94 | 2.1    | 16055 | 680    | 1.05 | 2.5    | 13599 | 576    | 1.24 | 3.2    | 10530 | 446    | 1.61 | 4.8    | 7107  | 301    | 2.4  | 5.3   | 6422  | 272    | 2.6  | 6.2    | 5454  | 231    | 3.1  | 7.3    | 4628  | 196    | 3.7  | 2.7    | 12796 | 542    | 0.88 | 2.9    | 11545 | 489    | 0.98 | 3.4    | 9987  | 423    | 1.13 | 3.9    | 8759  | 371    | 1.29 | 4.4    | 7720  | 327    | 0.94 | 5.1    | 6729  | 285    | 1.07 | 6.5    | 5218  | 221    | 1.38 | 4.2    | 8594  | 172.33 | 1.31 | 4.6    | 7721  | 154.81 | 1.46 | 5.7    | 6269  | 125.71 | 1.80 | 5.6    | 6365  | 255.25 | 1.16 | 6.7    | 5363  | 215.04 | 1.37 | 7.2    | 4970  | 199.31 | 1.48 | 8.1    | 4455  | 178.64 | 1.65 | 8.9    | 4022  | 161.28 | 1.83 | 9.8    | 3653  | 146.49 | 2.02 | 11     | 3241  | 129.97 | 2.3  | 12     | 2941  | 117.94 | 2.5  | 14     | 2528  | 101.38 | 2.9  |        |       |        |      |        |       |        |      |       |       |        |      |       |       |        |      |       |       |        |       |       |       |        |       |       |       |        |       |       |       |        |       |       |       |        |       |       |       |        |       |       |       |        |       |       |       |        |       |       |       |        |      |       |       |        |       |       |       |        |       |       |       |        |      |       |       |        |       |       |       |        |       |       |       |        |      |       |       |        |       |       |       |        |       |        |       |        |       |        |       |        |       |        |       |        |       |        |       |        |      |        |       |        |      |        |       |        |       |        |       |        |       |        |       |        |       |        |       |        |       |        |       |        |       |        |       |        |       |        |       |        |       |        |       |        |       |        |       |        |       |        |       |        |       |        |      |        |       |        |       |        |      |        |       |        |      |        |      |        |       |        |       |        |       |        |       |        |       |        |      |        |      |        |      |        |      |        |      |        |      |        |      |        |      |        |      |        |      |        |      |        |      |        |      |        |      |        |      |        |      |        |      |        |      |        |      |        |      |        |      |        |      |        |      |        |      |        |      |        |      |        |      |        |      |        |      |        |      |        |      |        |      |        |      |        |      |
| 78            | 347        | 18.29    | 2.2                    | 86          | 313     | 16.48         | 2.5        | 98       | 274                    | 14.46       | 2.8     | 2.5    | 19950 | 845    | 0.85 | 1.9    | 18038 | 764    | 0.94 | 2.1    | 16055 | 680    | 1.05 | 2.5    | 13599 | 576    | 1.24 | 3.2    | 10530 | 446    | 1.61 | 4.8    | 7107  | 301    | 2.4  | 5.3    | 6422  | 272    | 2.6  | 6.2   | 5454  | 231    | 3.1  | 7.3    | 4628  | 196    | 3.7  | 2.7    | 12796 | 542    | 0.88 | 2.9    | 11545 | 489    | 0.98 | 3.4    | 9987  | 423    | 1.13 | 3.9    | 8759  | 371    | 1.29 | 4.4    | 7720  | 327    | 0.94 | 5.1    | 6729  | 285    | 1.07 | 6.5    | 5218  | 221    | 1.38 | 4.2    | 8594  | 172.33 | 1.31 | 4.6    | 7721  | 154.81 | 1.46 | 5.7    | 6269  | 125.71 | 1.80 | 5.6    | 6365  | 255.25 | 1.16 | 6.7    | 5363  | 215.04 | 1.37 | 7.2    | 4970  | 199.31 | 1.48 | 8.1    | 4455  | 178.64 | 1.65 | 8.9    | 4022  | 161.28 | 1.83 | 9.8    | 3653  | 146.49 | 2.02 | 11     | 3241  | 129.97 | 2.3  | 12     | 2941  | 117.94 | 2.5  | 14     | 2528  | 101.38 | 2.9  |        |       |        |      |        |       |        |      |        |       |        |      |       |       |        |      |       |       |        |      |       |       |        |       |       |       |        |       |       |       |        |       |       |       |        |       |       |       |        |       |       |       |        |       |       |       |        |       |       |       |        |       |       |       |        |      |       |       |        |       |       |       |        |       |       |       |        |      |       |       |        |       |       |       |        |       |       |       |        |      |       |       |        |       |       |       |        |       |        |       |        |       |        |       |        |       |        |       |        |       |        |       |        |      |        |       |        |      |        |       |        |       |        |       |        |       |        |       |        |       |        |       |        |       |        |       |        |       |        |       |        |       |        |       |        |       |        |       |        |       |        |       |        |       |        |       |        |       |        |      |        |       |        |       |        |      |        |       |        |      |        |      |        |       |        |       |        |       |        |       |        |       |        |      |        |      |        |      |        |      |        |      |        |      |        |      |        |      |        |      |        |      |        |      |        |      |        |      |        |      |        |      |        |      |        |      |        |      |        |      |        |      |        |      |        |      |        |      |        |      |        |      |        |      |        |      |        |      |        |      |        |      |        |      |        |      |        |      |        |      |
| 86            | 313        | 16.48    | 2.5                    | 98          | 274     | 14.46         | 2.8        | 2.5      | 19950                  | 845         | 0.85    | 1.9    | 18038 | 764    | 0.94 | 2.1    | 16055 | 680    | 1.05 | 2.5    | 13599 | 576    | 1.24 | 3.2    | 10530 | 446    | 1.61 | 4.8    | 7107  | 301    | 2.4  | 5.3    | 6422  | 272    | 2.6  | 6.2    | 5454  | 231    | 3.1  | 7.3   | 4628  | 196    | 3.7  | 2.7    | 12796 | 542    | 0.88 | 2.9    | 11545 | 489    | 0.98 | 3.4    | 9987  | 423    | 1.13 | 3.9    | 8759  | 371    | 1.29 | 4.4    | 7720  | 327    | 0.94 | 5.1    | 6729  | 285    | 1.07 | 6.5    | 5218  | 221    | 1.38 | 4.2    | 8594  | 172.33 | 1.31 | 4.6    | 7721  | 154.81 | 1.46 | 5.7    | 6269  | 125.71 | 1.80 | 5.6    | 6365  | 255.25 | 1.16 | 6.7    | 5363  | 215.04 | 1.37 | 7.2    | 4970  | 199.31 | 1.48 | 8.1    | 4455  | 178.64 | 1.65 | 8.9    | 4022  | 161.28 | 1.83 | 9.8    | 3653  | 146.49 | 2.02 | 11     | 3241  | 129.97 | 2.3  | 12     | 2941  | 117.94 | 2.5  | 14     | 2528  | 101.38 | 2.9  |        |       |        |      |        |       |        |      |        |       |        |      |        |       |        |      |       |       |        |      |       |       |        |      |       |       |        |       |       |       |        |       |       |       |        |       |       |       |        |       |       |       |        |       |       |       |        |       |       |       |        |       |       |       |        |       |       |       |        |      |       |       |        |       |       |       |        |       |       |       |        |      |       |       |        |       |       |       |        |       |       |       |        |      |       |       |        |       |       |       |        |       |        |       |        |       |        |       |        |       |        |       |        |       |        |       |        |      |        |       |        |      |        |       |        |       |        |       |        |       |        |       |        |       |        |       |        |       |        |       |        |       |        |       |        |       |        |       |        |       |        |       |        |       |        |       |        |       |        |       |        |       |        |      |        |       |        |       |        |      |        |       |        |      |        |      |        |       |        |       |        |       |        |       |        |       |        |      |        |      |        |      |        |      |        |      |        |      |        |      |        |      |        |      |        |      |        |      |        |      |        |      |        |      |        |      |        |      |        |      |        |      |        |      |        |      |        |      |        |      |        |      |        |      |        |      |        |      |        |      |        |      |        |      |        |      |        |      |        |      |        |      |        |      |
| 98            | 274        | 14.46    | 2.8                    | 2.5         | 19950   | 845           | 0.85       | 1.9      | 18038                  | 764         | 0.94    | 2.1    | 16055 | 680    | 1.05 | 2.5    | 13599 | 576    | 1.24 | 3.2    | 10530 | 446    | 1.61 | 4.8    | 7107  | 301    | 2.4  | 5.3    | 6422  | 272    | 2.6  | 6.2    | 5454  | 231    | 3.1  | 7.3    | 4628  | 196    | 3.7  | 2.7   | 12796 | 542    | 0.88 | 2.9    | 11545 | 489    | 0.98 | 3.4    | 9987  | 423    | 1.13 | 3.9    | 8759  | 371    | 1.29 | 4.4    | 7720  | 327    | 0.94 | 5.1    | 6729  | 285    | 1.07 | 6.5    | 5218  | 221    | 1.38 | 4.2    | 8594  | 172.33 | 1.31 | 4.6    | 7721  | 154.81 | 1.46 | 5.7    | 6269  | 125.71 | 1.80 | 5.6    | 6365  | 255.25 | 1.16 | 6.7    | 5363  | 215.04 | 1.37 | 7.2    | 4970  | 199.31 | 1.48 | 8.1    | 4455  | 178.64 | 1.65 | 8.9    | 4022  | 161.28 | 1.83 | 9.8    | 3653  | 146.49 | 2.02 | 11     | 3241  | 129.97 | 2.3  | 12     | 2941  | 117.94 | 2.5  | 14     | 2528  | 101.38 | 2.9  |        |       |        |      |        |       |        |      |        |       |        |      |        |       |        |      |        |       |        |      |       |       |        |      |       |       |        |      |       |       |        |       |       |       |        |       |       |       |        |       |       |       |        |       |       |       |        |       |       |       |        |       |       |       |        |       |       |       |        |       |       |       |        |      |       |       |        |       |       |       |        |       |       |       |        |      |       |       |        |       |       |       |        |       |       |       |        |      |       |       |        |       |       |       |        |       |        |       |        |       |        |       |        |       |        |       |        |       |        |       |        |      |        |       |        |      |        |       |        |       |        |       |        |       |        |       |        |       |        |       |        |       |        |       |        |       |        |       |        |       |        |       |        |       |        |       |        |       |        |       |        |       |        |       |        |       |        |      |        |       |        |       |        |      |        |       |        |      |        |      |        |       |        |       |        |       |        |       |        |       |        |      |        |      |        |      |        |      |        |      |        |      |        |      |        |      |        |      |        |      |        |      |        |      |        |      |        |      |        |      |        |      |        |      |        |      |        |      |        |      |        |      |        |      |        |      |        |      |        |      |        |      |        |      |        |      |        |      |        |      |        |      |        |      |        |      |        |      |
| 2.5           | 19950      | 845      | 0.85                   | 1.9         | 18038   | 764           | 0.94       | 2.1      | 16055                  | 680         | 1.05    | 2.5    | 13599 | 576    | 1.24 | 3.2    | 10530 | 446    | 1.61 | 4.8    | 7107  | 301    | 2.4  | 5.3    | 6422  | 272    | 2.6  | 6.2    | 5454  | 231    | 3.1  | 7.3    | 4628  | 196    | 3.7  | 2.7    | 12796 | 542    | 0.88 | 2.9   | 11545 | 489    | 0.98 | 3.4    | 9987  | 423    | 1.13 | 3.9    | 8759  | 371    | 1.29 | 4.4    | 7720  | 327    | 0.94 | 5.1    | 6729  | 285    | 1.07 | 6.5    | 5218  | 221    | 1.38 | 4.2    | 8594  | 172.33 | 1.31 | 4.6    | 7721  | 154.81 | 1.46 | 5.7    | 6269  | 125.71 | 1.80 | 5.6    | 6365  | 255.25 | 1.16 | 6.7    | 5363  | 215.04 | 1.37 | 7.2    | 4970  | 199.31 | 1.48 | 8.1    | 4455  | 178.64 | 1.65 | 8.9    | 4022  | 161.28 | 1.83 | 9.8    | 3653  | 146.49 | 2.02 | 11     | 3241  | 129.97 | 2.3  | 12     | 2941  | 117.94 | 2.5  | 14     | 2528  | 101.38 | 2.9  |        |       |        |      |        |       |        |      |        |       |        |      |        |       |        |      |        |       |        |      |        |       |        |      |       |       |        |      |       |       |        |      |       |       |        |       |       |       |        |       |       |       |        |       |       |       |        |       |       |       |        |       |       |       |        |       |       |       |        |       |       |       |        |       |       |       |        |      |       |       |        |       |       |       |        |       |       |       |        |      |       |       |        |       |       |       |        |       |       |       |        |      |       |       |        |       |       |       |        |       |        |       |        |       |        |       |        |       |        |       |        |       |        |       |        |      |        |       |        |      |        |       |        |       |        |       |        |       |        |       |        |       |        |       |        |       |        |       |        |       |        |       |        |       |        |       |        |       |        |       |        |       |        |       |        |       |        |       |        |       |        |      |        |       |        |       |        |      |        |       |        |      |        |      |        |       |        |       |        |       |        |       |        |       |        |      |        |      |        |      |        |      |        |      |        |      |        |      |        |      |        |      |        |      |        |      |        |      |        |      |        |      |        |      |        |      |        |      |        |      |        |      |        |      |        |      |        |      |        |      |        |      |        |      |        |      |        |      |        |      |        |      |        |      |        |      |        |      |        |      |        |      |
| 1.9           | 18038      | 764      | 0.94                   | 2.1         | 16055   | 680           | 1.05       | 2.5      | 13599                  | 576         | 1.24    | 3.2    | 10530 | 446    | 1.61 | 4.8    | 7107  | 301    | 2.4  | 5.3    | 6422  | 272    | 2.6  | 6.2    | 5454  | 231    | 3.1  | 7.3    | 4628  | 196    | 3.7  | 2.7    | 12796 | 542    | 0.88 | 2.9    | 11545 | 489    | 0.98 | 3.4   | 9987  | 423    | 1.13 | 3.9    | 8759  | 371    | 1.29 | 4.4    | 7720  | 327    | 0.94 | 5.1    | 6729  | 285    | 1.07 | 6.5    | 5218  | 221    | 1.38 | 4.2    | 8594  | 172.33 | 1.31 | 4.6    | 7721  | 154.81 | 1.46 | 5.7    | 6269  | 125.71 | 1.80 | 5.6    | 6365  | 255.25 | 1.16 | 6.7    | 5363  | 215.04 | 1.37 | 7.2    | 4970  | 199.31 | 1.48 | 8.1    | 4455  | 178.64 | 1.65 | 8.9    | 4022  | 161.28 | 1.83 | 9.8    | 3653  | 146.49 | 2.02 | 11     | 3241  | 129.97 | 2.3  | 12     | 2941  | 117.94 | 2.5  | 14     | 2528  | 101.38 | 2.9  |        |       |        |      |        |       |        |      |        |       |        |      |        |       |        |      |        |       |        |      |        |       |        |      |        |       |        |      |       |       |        |      |       |       |        |      |       |       |        |       |       |       |        |       |       |       |        |       |       |       |        |       |       |       |        |       |       |       |        |       |       |       |        |       |       |       |        |       |       |       |        |      |       |       |        |       |       |       |        |       |       |       |        |      |       |       |        |       |       |       |        |       |       |       |        |      |       |       |        |       |       |       |        |       |        |       |        |       |        |       |        |       |        |       |        |       |        |       |        |      |        |       |        |      |        |       |        |       |        |       |        |       |        |       |        |       |        |       |        |       |        |       |        |       |        |       |        |       |        |       |        |       |        |       |        |       |        |       |        |       |        |       |        |       |        |      |        |       |        |       |        |      |        |       |        |      |        |      |        |       |        |       |        |       |        |       |        |       |        |      |        |      |        |      |        |      |        |      |        |      |        |      |        |      |        |      |        |      |        |      |        |      |        |      |        |      |        |      |        |      |        |      |        |      |        |      |        |      |        |      |        |      |        |      |        |      |        |      |        |      |        |      |        |      |        |      |        |      |        |      |        |      |        |      |        |      |
| 2.1           | 16055      | 680      | 1.05                   | 2.5         | 13599   | 576           | 1.24       | 3.2      | 10530                  | 446         | 1.61    | 4.8    | 7107  | 301    | 2.4  | 5.3    | 6422  | 272    | 2.6  | 6.2    | 5454  | 231    | 3.1  | 7.3    | 4628  | 196    | 3.7  | 2.7    | 12796 | 542    | 0.88 | 2.9    | 11545 | 489    | 0.98 | 3.4    | 9987  | 423    | 1.13 | 3.9   | 8759  | 371    | 1.29 | 4.4    | 7720  | 327    | 0.94 | 5.1    | 6729  | 285    | 1.07 | 6.5    | 5218  | 221    | 1.38 | 4.2    | 8594  | 172.33 | 1.31 | 4.6    | 7721  | 154.81 | 1.46 | 5.7    | 6269  | 125.71 | 1.80 | 5.6    | 6365  | 255.25 | 1.16 | 6.7    | 5363  | 215.04 | 1.37 | 7.2    | 4970  | 199.31 | 1.48 | 8.1    | 4455  | 178.64 | 1.65 | 8.9    | 4022  | 161.28 | 1.83 | 9.8    | 3653  | 146.49 | 2.02 | 11     | 3241  | 129.97 | 2.3  | 12     | 2941  | 117.94 | 2.5  | 14     | 2528  | 101.38 | 2.9  |        |       |        |      |        |       |        |      |        |       |        |      |        |       |        |      |        |       |        |      |        |       |        |      |        |       |        |      |        |       |        |      |       |       |        |      |       |       |        |      |       |       |        |       |       |       |        |       |       |       |        |       |       |       |        |       |       |       |        |       |       |       |        |       |       |       |        |       |       |       |        |       |       |       |        |      |       |       |        |       |       |       |        |       |       |       |        |      |       |       |        |       |       |       |        |       |       |       |        |      |       |       |        |       |       |       |        |       |        |       |        |       |        |       |        |       |        |       |        |       |        |       |        |      |        |       |        |      |        |       |        |       |        |       |        |       |        |       |        |       |        |       |        |       |        |       |        |       |        |       |        |       |        |       |        |       |        |       |        |       |        |       |        |       |        |       |        |       |        |      |        |       |        |       |        |      |        |       |        |      |        |      |        |       |        |       |        |       |        |       |        |       |        |      |        |      |        |      |        |      |        |      |        |      |        |      |        |      |        |      |        |      |        |      |        |      |        |      |        |      |        |      |        |      |        |      |        |      |        |      |        |      |        |      |        |      |        |      |        |      |        |      |        |      |        |      |        |      |        |      |        |      |        |      |        |      |        |      |        |      |
| 2.5           | 13599      | 576      | 1.24                   | 3.2         | 10530   | 446           | 1.61       | 4.8      | 7107                   | 301         | 2.4     | 5.3    | 6422  | 272    | 2.6  | 6.2    | 5454  | 231    | 3.1  | 7.3    | 4628  | 196    | 3.7  | 2.7    | 12796 | 542    | 0.88 | 2.9    | 11545 | 489    | 0.98 | 3.4    | 9987  | 423    | 1.13 | 3.9    | 8759  | 371    | 1.29 | 4.4   | 7720  | 327    | 0.94 | 5.1    | 6729  | 285    | 1.07 | 6.5    | 5218  | 221    | 1.38 | 4.2    | 8594  | 172.33 | 1.31 | 4.6    | 7721  | 154.81 | 1.46 | 5.7    | 6269  | 125.71 | 1.80 | 5.6    | 6365  | 255.25 | 1.16 | 6.7    | 5363  | 215.04 | 1.37 | 7.2    | 4970  | 199.31 | 1.48 | 8.1    | 4455  | 178.64 | 1.65 | 8.9    | 4022  | 161.28 | 1.83 | 9.8    | 3653  | 146.49 | 2.02 | 11     | 3241  | 129.97 | 2.3  | 12     | 2941  | 117.94 | 2.5  | 14     | 2528  | 101.38 | 2.9  |        |       |        |      |        |       |        |      |        |       |        |      |        |       |        |      |        |       |        |      |        |       |        |      |        |       |        |      |        |       |        |      |        |       |        |      |       |       |        |      |       |       |        |      |       |       |        |       |       |       |        |       |       |       |        |       |       |       |        |       |       |       |        |       |       |       |        |       |       |       |        |       |       |       |        |       |       |       |        |      |       |       |        |       |       |       |        |       |       |       |        |      |       |       |        |       |       |       |        |       |       |       |        |      |       |       |        |       |       |       |        |       |        |       |        |       |        |       |        |       |        |       |        |       |        |       |        |      |        |       |        |      |        |       |        |       |        |       |        |       |        |       |        |       |        |       |        |       |        |       |        |       |        |       |        |       |        |       |        |       |        |       |        |       |        |       |        |       |        |       |        |       |        |      |        |       |        |       |        |      |        |       |        |      |        |      |        |       |        |       |        |       |        |       |        |       |        |      |        |      |        |      |        |      |        |      |        |      |        |      |        |      |        |      |        |      |        |      |        |      |        |      |        |      |        |      |        |      |        |      |        |      |        |      |        |      |        |      |        |      |        |      |        |      |        |      |        |      |        |      |        |      |        |      |        |      |        |      |        |      |        |      |        |      |
| 3.2           | 10530      | 446      | 1.61                   | 4.8         | 7107    | 301           | 2.4        | 5.3      | 6422                   | 272         | 2.6     | 6.2    | 5454  | 231    | 3.1  | 7.3    | 4628  | 196    | 3.7  | 2.7    | 12796 | 542    | 0.88 | 2.9    | 11545 | 489    | 0.98 | 3.4    | 9987  | 423    | 1.13 | 3.9    | 8759  | 371    | 1.29 | 4.4    | 7720  | 327    | 0.94 | 5.1   | 6729  | 285    | 1.07 | 6.5    | 5218  | 221    | 1.38 | 4.2    | 8594  | 172.33 | 1.31 | 4.6    | 7721  | 154.81 | 1.46 | 5.7    | 6269  | 125.71 | 1.80 | 5.6    | 6365  | 255.25 | 1.16 | 6.7    | 5363  | 215.04 | 1.37 | 7.2    | 4970  | 199.31 | 1.48 | 8.1    | 4455  | 178.64 | 1.65 | 8.9    | 4022  | 161.28 | 1.83 | 9.8    | 3653  | 146.49 | 2.02 | 11     | 3241  | 129.97 | 2.3  | 12     | 2941  | 117.94 | 2.5  | 14     | 2528  | 101.38 | 2.9  |        |       |        |      |        |       |        |      |        |       |        |      |        |       |        |      |        |       |        |      |        |       |        |      |        |       |        |      |        |       |        |      |        |       |        |      |        |       |        |      |       |       |        |      |       |       |        |      |       |       |        |       |       |       |        |       |       |       |        |       |       |       |        |       |       |       |        |       |       |       |        |       |       |       |        |       |       |       |        |       |       |       |        |      |       |       |        |       |       |       |        |       |       |       |        |      |       |       |        |       |       |       |        |       |       |       |        |      |       |       |        |       |       |       |        |       |        |       |        |       |        |       |        |       |        |       |        |       |        |       |        |      |        |       |        |      |        |       |        |       |        |       |        |       |        |       |        |       |        |       |        |       |        |       |        |       |        |       |        |       |        |       |        |       |        |       |        |       |        |       |        |       |        |       |        |       |        |      |        |       |        |       |        |      |        |       |        |      |        |      |        |       |        |       |        |       |        |       |        |       |        |      |        |      |        |      |        |      |        |      |        |      |        |      |        |      |        |      |        |      |        |      |        |      |        |      |        |      |        |      |        |      |        |      |        |      |        |      |        |      |        |      |        |      |        |      |        |      |        |      |        |      |        |      |        |      |        |      |        |      |        |      |        |      |        |      |        |      |
| 4.8           | 7107       | 301      | 2.4                    | 5.3         | 6422    | 272           | 2.6        | 6.2      | 5454                   | 231         | 3.1     | 7.3    | 4628  | 196    | 3.7  | 2.7    | 12796 | 542    | 0.88 | 2.9    | 11545 | 489    | 0.98 | 3.4    | 9987  | 423    | 1.13 | 3.9    | 8759  | 371    | 1.29 | 4.4    | 7720  | 327    | 0.94 | 5.1    | 6729  | 285    | 1.07 | 6.5   | 5218  | 221    | 1.38 | 4.2    | 8594  | 172.33 | 1.31 | 4.6    | 7721  | 154.81 | 1.46 | 5.7    | 6269  | 125.71 | 1.80 | 5.6    | 6365  | 255.25 | 1.16 | 6.7    | 5363  | 215.04 | 1.37 | 7.2    | 4970  | 199.31 | 1.48 | 8.1    | 4455  | 178.64 | 1.65 | 8.9    | 4022  | 161.28 | 1.83 | 9.8    | 3653  | 146.49 | 2.02 | 11     | 3241  | 129.97 | 2.3  | 12     | 2941  | 117.94 | 2.5  | 14     | 2528  | 101.38 | 2.9  |        |       |        |      |        |       |        |      |        |       |        |      |        |       |        |      |        |       |        |      |        |       |        |      |        |       |        |      |        |       |        |      |        |       |        |      |        |       |        |      |        |       |        |      |       |       |        |      |       |       |        |      |       |       |        |       |       |       |        |       |       |       |        |       |       |       |        |       |       |       |        |       |       |       |        |       |       |       |        |       |       |       |        |       |       |       |        |      |       |       |        |       |       |       |        |       |       |       |        |      |       |       |        |       |       |       |        |       |       |       |        |      |       |       |        |       |       |       |        |       |        |       |        |       |        |       |        |       |        |       |        |       |        |       |        |      |        |       |        |      |        |       |        |       |        |       |        |       |        |       |        |       |        |       |        |       |        |       |        |       |        |       |        |       |        |       |        |       |        |       |        |       |        |       |        |       |        |       |        |       |        |      |        |       |        |       |        |      |        |       |        |      |        |      |        |       |        |       |        |       |        |       |        |       |        |      |        |      |        |      |        |      |        |      |        |      |        |      |        |      |        |      |        |      |        |      |        |      |        |      |        |      |        |      |        |      |        |      |        |      |        |      |        |      |        |      |        |      |        |      |        |      |        |      |        |      |        |      |        |      |        |      |        |      |        |      |        |      |        |      |        |      |
| 5.3           | 6422       | 272      | 2.6                    | 6.2         | 5454    | 231           | 3.1        | 7.3      | 4628                   | 196         | 3.7     | 2.7    | 12796 | 542    | 0.88 | 2.9    | 11545 | 489    | 0.98 | 3.4    | 9987  | 423    | 1.13 | 3.9    | 8759  | 371    | 1.29 | 4.4    | 7720  | 327    | 0.94 | 5.1    | 6729  | 285    | 1.07 | 6.5    | 5218  | 221    | 1.38 | 4.2   | 8594  | 172.33 | 1.31 | 4.6    | 7721  | 154.81 | 1.46 | 5.7    | 6269  | 125.71 | 1.80 | 5.6    | 6365  | 255.25 | 1.16 | 6.7    | 5363  | 215.04 | 1.37 | 7.2    | 4970  | 199.31 | 1.48 | 8.1    | 4455  | 178.64 | 1.65 | 8.9    | 4022  | 161.28 | 1.83 | 9.8    | 3653  | 146.49 | 2.02 | 11     | 3241  | 129.97 | 2.3  | 12     | 2941  | 117.94 | 2.5  | 14     | 2528  | 101.38 | 2.9  |        |       |        |      |        |       |        |      |        |       |        |      |        |       |        |      |        |       |        |      |        |       |        |      |        |       |        |      |        |       |        |      |        |       |        |      |        |       |        |      |        |       |        |      |        |       |        |      |       |       |        |      |       |       |        |      |       |       |        |       |       |       |        |       |       |       |        |       |       |       |        |       |       |       |        |       |       |       |        |       |       |       |        |       |       |       |        |       |       |       |        |      |       |       |        |       |       |       |        |       |       |       |        |      |       |       |        |       |       |       |        |       |       |       |        |      |       |       |        |       |       |       |        |       |        |       |        |       |        |       |        |       |        |       |        |       |        |       |        |      |        |       |        |      |        |       |        |       |        |       |        |       |        |       |        |       |        |       |        |       |        |       |        |       |        |       |        |       |        |       |        |       |        |       |        |       |        |       |        |       |        |       |        |       |        |      |        |       |        |       |        |      |        |       |        |      |        |      |        |       |        |       |        |       |        |       |        |       |        |      |        |      |        |      |        |      |        |      |        |      |        |      |        |      |        |      |        |      |        |      |        |      |        |      |        |      |        |      |        |      |        |      |        |      |        |      |        |      |        |      |        |      |        |      |        |      |        |      |        |      |        |      |        |      |        |      |        |      |        |      |        |      |        |      |        |      |
| 6.2           | 5454       | 231      | 3.1                    | 7.3         | 4628    | 196           | 3.7        | 2.7      | 12796                  | 542         | 0.88    | 2.9    | 11545 | 489    | 0.98 | 3.4    | 9987  | 423    | 1.13 | 3.9    | 8759  | 371    | 1.29 | 4.4    | 7720  | 327    | 0.94 | 5.1    | 6729  | 285    | 1.07 | 6.5    | 5218  | 221    | 1.38 | 4.2    | 8594  | 172.33 | 1.31 | 4.6   | 7721  | 154.81 | 1.46 | 5.7    | 6269  | 125.71 | 1.80 | 5.6    | 6365  | 255.25 | 1.16 | 6.7    | 5363  | 215.04 | 1.37 | 7.2    | 4970  | 199.31 | 1.48 | 8.1    | 4455  | 178.64 | 1.65 | 8.9    | 4022  | 161.28 | 1.83 | 9.8    | 3653  | 146.49 | 2.02 | 11     | 3241  | 129.97 | 2.3  | 12     | 2941  | 117.94 | 2.5  | 14     | 2528  | 101.38 | 2.9  |        |       |        |      |        |       |        |      |        |       |        |      |        |       |        |      |        |       |        |      |        |       |        |      |        |       |        |      |        |       |        |      |        |       |        |      |        |       |        |      |        |       |        |      |        |       |        |      |        |       |        |      |       |       |        |      |       |       |        |      |       |       |        |       |       |       |        |       |       |       |        |       |       |       |        |       |       |       |        |       |       |       |        |       |       |       |        |       |       |       |        |       |       |       |        |      |       |       |        |       |       |       |        |       |       |       |        |      |       |       |        |       |       |       |        |       |       |       |        |      |       |       |        |       |       |       |        |       |        |       |        |       |        |       |        |       |        |       |        |       |        |       |        |      |        |       |        |      |        |       |        |       |        |       |        |       |        |       |        |       |        |       |        |       |        |       |        |       |        |       |        |       |        |       |        |       |        |       |        |       |        |       |        |       |        |       |        |       |        |      |        |       |        |       |        |      |        |       |        |      |        |      |        |       |        |       |        |       |        |       |        |       |        |      |        |      |        |      |        |      |        |      |        |      |        |      |        |      |        |      |        |      |        |      |        |      |        |      |        |      |        |      |        |      |        |      |        |      |        |      |        |      |        |      |        |      |        |      |        |      |        |      |        |      |        |      |        |      |        |      |        |      |        |      |        |      |        |      |        |      |
| 7.3           | 4628       | 196      | 3.7                    | 2.7         | 12796   | 542           | 0.88       | 2.9      | 11545                  | 489         | 0.98    | 3.4    | 9987  | 423    | 1.13 | 3.9    | 8759  | 371    | 1.29 | 4.4    | 7720  | 327    | 0.94 | 5.1    | 6729  | 285    | 1.07 | 6.5    | 5218  | 221    | 1.38 | 4.2    | 8594  | 172.33 | 1.31 | 4.6    | 7721  | 154.81 | 1.46 | 5.7   | 6269  | 125.71 | 1.80 | 5.6    | 6365  | 255.25 | 1.16 | 6.7    | 5363  | 215.04 | 1.37 | 7.2    | 4970  | 199.31 | 1.48 | 8.1    | 4455  | 178.64 | 1.65 | 8.9    | 4022  | 161.28 | 1.83 | 9.8    | 3653  | 146.49 | 2.02 | 11     | 3241  | 129.97 | 2.3  | 12     | 2941  | 117.94 | 2.5  | 14     | 2528  | 101.38 | 2.9  |        |       |        |      |        |       |        |      |        |       |        |      |        |       |        |      |        |       |        |      |        |       |        |      |        |       |        |      |        |       |        |      |        |       |        |      |        |       |        |      |        |       |        |      |        |       |        |      |        |       |        |      |        |       |        |      |       |       |        |      |       |       |        |      |       |       |        |       |       |       |        |       |       |       |        |       |       |       |        |       |       |       |        |       |       |       |        |       |       |       |        |       |       |       |        |       |       |       |        |      |       |       |        |       |       |       |        |       |       |       |        |      |       |       |        |       |       |       |        |       |       |       |        |      |       |       |        |       |       |       |        |       |        |       |        |       |        |       |        |       |        |       |        |       |        |       |        |      |        |       |        |      |        |       |        |       |        |       |        |       |        |       |        |       |        |       |        |       |        |       |        |       |        |       |        |       |        |       |        |       |        |       |        |       |        |       |        |       |        |       |        |       |        |      |        |       |        |       |        |      |        |       |        |      |        |      |        |       |        |       |        |       |        |       |        |       |        |      |        |      |        |      |        |      |        |      |        |      |        |      |        |      |        |      |        |      |        |      |        |      |        |      |        |      |        |      |        |      |        |      |        |      |        |      |        |      |        |      |        |      |        |      |        |      |        |      |        |      |        |      |        |      |        |      |        |      |        |      |        |      |        |      |        |      |
| 2.7           | 12796      | 542      | 0.88                   | 2.9         | 11545   | 489           | 0.98       | 3.4      | 9987                   | 423         | 1.13    | 3.9    | 8759  | 371    | 1.29 | 4.4    | 7720  | 327    | 0.94 | 5.1    | 6729  | 285    | 1.07 | 6.5    | 5218  | 221    | 1.38 | 4.2    | 8594  | 172.33 | 1.31 | 4.6    | 7721  | 154.81 | 1.46 | 5.7    | 6269  | 125.71 | 1.80 | 5.6   | 6365  | 255.25 | 1.16 | 6.7    | 5363  | 215.04 | 1.37 | 7.2    | 4970  | 199.31 | 1.48 | 8.1    | 4455  | 178.64 | 1.65 | 8.9    | 4022  | 161.28 | 1.83 | 9.8    | 3653  | 146.49 | 2.02 | 11     | 3241  | 129.97 | 2.3  | 12     | 2941  | 117.94 | 2.5  | 14     | 2528  | 101.38 | 2.9  |        |       |        |      |        |       |        |      |        |       |        |      |        |       |        |      |        |       |        |      |        |       |        |      |        |       |        |      |        |       |        |      |        |       |        |      |        |       |        |      |        |       |        |      |        |       |        |      |        |       |        |      |        |       |        |      |        |       |        |      |       |       |        |      |       |       |        |      |       |       |        |       |       |       |        |       |       |       |        |       |       |       |        |       |       |       |        |       |       |       |        |       |       |       |        |       |       |       |        |       |       |       |        |      |       |       |        |       |       |       |        |       |       |       |        |      |       |       |        |       |       |       |        |       |       |       |        |      |       |       |        |       |       |       |        |       |        |       |        |       |        |       |        |       |        |       |        |       |        |       |        |      |        |       |        |      |        |       |        |       |        |       |        |       |        |       |        |       |        |       |        |       |        |       |        |       |        |       |        |       |        |       |        |       |        |       |        |       |        |       |        |       |        |       |        |       |        |      |        |       |        |       |        |      |        |       |        |      |        |      |        |       |        |       |        |       |        |       |        |       |        |      |        |      |        |      |        |      |        |      |        |      |        |      |        |      |        |      |        |      |        |      |        |      |        |      |        |      |        |      |        |      |        |      |        |      |        |      |        |      |        |      |        |      |        |      |        |      |        |      |        |      |        |      |        |      |        |      |        |      |        |      |        |      |        |      |        |      |
| 2.9           | 11545      | 489      | 0.98                   | 3.4         | 9987    | 423           | 1.13       | 3.9      | 8759                   | 371         | 1.29    | 4.4    | 7720  | 327    | 0.94 | 5.1    | 6729  | 285    | 1.07 | 6.5    | 5218  | 221    | 1.38 | 4.2    | 8594  | 172.33 | 1.31 | 4.6    | 7721  | 154.81 | 1.46 | 5.7    | 6269  | 125.71 | 1.80 | 5.6    | 6365  | 255.25 | 1.16 | 6.7   | 5363  | 215.04 | 1.37 | 7.2    | 4970  | 199.31 | 1.48 | 8.1    | 4455  | 178.64 | 1.65 | 8.9    | 4022  | 161.28 | 1.83 | 9.8    | 3653  | 146.49 | 2.02 | 11     | 3241  | 129.97 | 2.3  | 12     | 2941  | 117.94 | 2.5  | 14     | 2528  | 101.38 | 2.9  |        |       |        |      |        |       |        |      |        |       |        |      |        |       |        |      |        |       |        |      |        |       |        |      |        |       |        |      |        |       |        |      |        |       |        |      |        |       |        |      |        |       |        |      |        |       |        |      |        |       |        |      |        |       |        |      |        |       |        |      |        |       |        |      |       |       |        |      |       |       |        |      |       |       |        |       |       |       |        |       |       |       |        |       |       |       |        |       |       |       |        |       |       |       |        |       |       |       |        |       |       |       |        |       |       |       |        |      |       |       |        |       |       |       |        |       |       |       |        |      |       |       |        |       |       |       |        |       |       |       |        |      |       |       |        |       |       |       |        |       |        |       |        |       |        |       |        |       |        |       |        |       |        |       |        |      |        |       |        |      |        |       |        |       |        |       |        |       |        |       |        |       |        |       |        |       |        |       |        |       |        |       |        |       |        |       |        |       |        |       |        |       |        |       |        |       |        |       |        |       |        |      |        |       |        |       |        |      |        |       |        |      |        |      |        |       |        |       |        |       |        |       |        |       |        |      |        |      |        |      |        |      |        |      |        |      |        |      |        |      |        |      |        |      |        |      |        |      |        |      |        |      |        |      |        |      |        |      |        |      |        |      |        |      |        |      |        |      |        |      |        |      |        |      |        |      |        |      |        |      |        |      |        |      |        |      |        |      |        |      |        |      |
| 3.4           | 9987       | 423      | 1.13                   | 3.9         | 8759    | 371           | 1.29       | 4.4      | 7720                   | 327         | 0.94    | 5.1    | 6729  | 285    | 1.07 | 6.5    | 5218  | 221    | 1.38 | 4.2    | 8594  | 172.33 | 1.31 | 4.6    | 7721  | 154.81 | 1.46 | 5.7    | 6269  | 125.71 | 1.80 | 5.6    | 6365  | 255.25 | 1.16 | 6.7    | 5363  | 215.04 | 1.37 | 7.2   | 4970  | 199.31 | 1.48 | 8.1    | 4455  | 178.64 | 1.65 | 8.9    | 4022  | 161.28 | 1.83 | 9.8    | 3653  | 146.49 | 2.02 | 11     | 3241  | 129.97 | 2.3  | 12     | 2941  | 117.94 | 2.5  | 14     | 2528  | 101.38 | 2.9  |        |       |        |      |        |       |        |      |        |       |        |      |        |       |        |      |        |       |        |      |        |       |        |      |        |       |        |      |        |       |        |      |        |       |        |      |        |       |        |      |        |       |        |      |        |       |        |      |        |       |        |      |        |       |        |      |        |       |        |      |        |       |        |      |        |       |        |      |       |       |        |      |       |       |        |      |       |       |        |       |       |       |        |       |       |       |        |       |       |       |        |       |       |       |        |       |       |       |        |       |       |       |        |       |       |       |        |       |       |       |        |      |       |       |        |       |       |       |        |       |       |       |        |      |       |       |        |       |       |       |        |       |       |       |        |      |       |       |        |       |       |       |        |       |        |       |        |       |        |       |        |       |        |       |        |       |        |       |        |      |        |       |        |      |        |       |        |       |        |       |        |       |        |       |        |       |        |       |        |       |        |       |        |       |        |       |        |       |        |       |        |       |        |       |        |       |        |       |        |       |        |       |        |       |        |      |        |       |        |       |        |      |        |       |        |      |        |      |        |       |        |       |        |       |        |       |        |       |        |      |        |      |        |      |        |      |        |      |        |      |        |      |        |      |        |      |        |      |        |      |        |      |        |      |        |      |        |      |        |      |        |      |        |      |        |      |        |      |        |      |        |      |        |      |        |      |        |      |        |      |        |      |        |      |        |      |        |      |        |      |        |      |        |      |        |      |
| 3.9           | 8759       | 371      | 1.29                   | 4.4         | 7720    | 327           | 0.94       | 5.1      | 6729                   | 285         | 1.07    | 6.5    | 5218  | 221    | 1.38 | 4.2    | 8594  | 172.33 | 1.31 | 4.6    | 7721  | 154.81 | 1.46 | 5.7    | 6269  | 125.71 | 1.80 | 5.6    | 6365  | 255.25 | 1.16 | 6.7    | 5363  | 215.04 | 1.37 | 7.2    | 4970  | 199.31 | 1.48 | 8.1   | 4455  | 178.64 | 1.65 | 8.9    | 4022  | 161.28 | 1.83 | 9.8    | 3653  | 146.49 | 2.02 | 11     | 3241  | 129.97 | 2.3  | 12     | 2941  | 117.94 | 2.5  | 14     | 2528  | 101.38 | 2.9  |        |       |        |      |        |       |        |      |        |       |        |      |        |       |        |      |        |       |        |      |        |       |        |      |        |       |        |      |        |       |        |      |        |       |        |      |        |       |        |      |        |       |        |      |        |       |        |      |        |       |        |      |        |       |        |      |        |       |        |      |        |       |        |      |        |       |        |      |        |       |        |      |       |       |        |      |       |       |        |      |       |       |        |       |       |       |        |       |       |       |        |       |       |       |        |       |       |       |        |       |       |       |        |       |       |       |        |       |       |       |        |       |       |       |        |      |       |       |        |       |       |       |        |       |       |       |        |      |       |       |        |       |       |       |        |       |       |       |        |      |       |       |        |       |       |       |        |       |        |       |        |       |        |       |        |       |        |       |        |       |        |       |        |      |        |       |        |      |        |       |        |       |        |       |        |       |        |       |        |       |        |       |        |       |        |       |        |       |        |       |        |       |        |       |        |       |        |       |        |       |        |       |        |       |        |       |        |       |        |      |        |       |        |       |        |      |        |       |        |      |        |      |        |       |        |       |        |       |        |       |        |       |        |      |        |      |        |      |        |      |        |      |        |      |        |      |        |      |        |      |        |      |        |      |        |      |        |      |        |      |        |      |        |      |        |      |        |      |        |      |        |      |        |      |        |      |        |      |        |      |        |      |        |      |        |      |        |      |        |      |        |      |        |      |        |      |        |      |        |      |
| 4.4           | 7720       | 327      | 0.94                   | 5.1         | 6729    | 285           | 1.07       | 6.5      | 5218                   | 221         | 1.38    | 4.2    | 8594  | 172.33 | 1.31 | 4.6    | 7721  | 154.81 | 1.46 | 5.7    | 6269  | 125.71 | 1.80 | 5.6    | 6365  | 255.25 | 1.16 | 6.7    | 5363  | 215.04 | 1.37 | 7.2    | 4970  | 199.31 | 1.48 | 8.1    | 4455  | 178.64 | 1.65 | 8.9   | 4022  | 161.28 | 1.83 | 9.8    | 3653  | 146.49 | 2.02 | 11     | 3241  | 129.97 | 2.3  | 12     | 2941  | 117.94 | 2.5  | 14     | 2528  | 101.38 | 2.9  |        |       |        |      |        |       |        |      |        |       |        |      |        |       |        |      |        |       |        |      |        |       |        |      |        |       |        |      |        |       |        |      |        |       |        |      |        |       |        |      |        |       |        |      |        |       |        |      |        |       |        |      |        |       |        |      |        |       |        |      |        |       |        |      |        |       |        |      |        |       |        |      |        |       |        |      |       |       |        |      |       |       |        |      |       |       |        |       |       |       |        |       |       |       |        |       |       |       |        |       |       |       |        |       |       |       |        |       |       |       |        |       |       |       |        |       |       |       |        |      |       |       |        |       |       |       |        |       |       |       |        |      |       |       |        |       |       |       |        |       |       |       |        |      |       |       |        |       |       |       |        |       |        |       |        |       |        |       |        |       |        |       |        |       |        |       |        |      |        |       |        |      |        |       |        |       |        |       |        |       |        |       |        |       |        |       |        |       |        |       |        |       |        |       |        |       |        |       |        |       |        |       |        |       |        |       |        |       |        |       |        |       |        |      |        |       |        |       |        |      |        |       |        |      |        |      |        |       |        |       |        |       |        |       |        |       |        |      |        |      |        |      |        |      |        |      |        |      |        |      |        |      |        |      |        |      |        |      |        |      |        |      |        |      |        |      |        |      |        |      |        |      |        |      |        |      |        |      |        |      |        |      |        |      |        |      |        |      |        |      |        |      |        |      |        |      |        |      |        |      |        |      |        |      |
| 5.1           | 6729       | 285      | 1.07                   | 6.5         | 5218    | 221           | 1.38       | 4.2      | 8594                   | 172.33      | 1.31    | 4.6    | 7721  | 154.81 | 1.46 | 5.7    | 6269  | 125.71 | 1.80 | 5.6    | 6365  | 255.25 | 1.16 | 6.7    | 5363  | 215.04 | 1.37 | 7.2    | 4970  | 199.31 | 1.48 | 8.1    | 4455  | 178.64 | 1.65 | 8.9    | 4022  | 161.28 | 1.83 | 9.8   | 3653  | 146.49 | 2.02 | 11     | 3241  | 129.97 | 2.3  | 12     | 2941  | 117.94 | 2.5  | 14     | 2528  | 101.38 | 2.9  |        |       |        |      |        |       |        |      |        |       |        |      |        |       |        |      |        |       |        |      |        |       |        |      |        |       |        |      |        |       |        |      |        |       |        |      |        |       |        |      |        |       |        |      |        |       |        |      |        |       |        |      |        |       |        |      |        |       |        |      |        |       |        |      |        |       |        |      |        |       |        |      |        |       |        |      |        |       |        |      |       |       |        |      |       |       |        |      |       |       |        |       |       |       |        |       |       |       |        |       |       |       |        |       |       |       |        |       |       |       |        |       |       |       |        |       |       |       |        |       |       |       |        |      |       |       |        |       |       |       |        |       |       |       |        |      |       |       |        |       |       |       |        |       |       |       |        |      |       |       |        |       |       |       |        |       |        |       |        |       |        |       |        |       |        |       |        |       |        |       |        |      |        |       |        |      |        |       |        |       |        |       |        |       |        |       |        |       |        |       |        |       |        |       |        |       |        |       |        |       |        |       |        |       |        |       |        |       |        |       |        |       |        |       |        |       |        |      |        |       |        |       |        |      |        |       |        |      |        |      |        |       |        |       |        |       |        |       |        |       |        |      |        |      |        |      |        |      |        |      |        |      |        |      |        |      |        |      |        |      |        |      |        |      |        |      |        |      |        |      |        |      |        |      |        |      |        |      |        |      |        |      |        |      |        |      |        |      |        |      |        |      |        |      |        |      |        |      |        |      |        |      |        |      |        |      |        |      |
| 6.5           | 5218       | 221      | 1.38                   | 4.2         | 8594    | 172.33        | 1.31       | 4.6      | 7721                   | 154.81      | 1.46    | 5.7    | 6269  | 125.71 | 1.80 | 5.6    | 6365  | 255.25 | 1.16 | 6.7    | 5363  | 215.04 | 1.37 | 7.2    | 4970  | 199.31 | 1.48 | 8.1    | 4455  | 178.64 | 1.65 | 8.9    | 4022  | 161.28 | 1.83 | 9.8    | 3653  | 146.49 | 2.02 | 11    | 3241  | 129.97 | 2.3  | 12     | 2941  | 117.94 | 2.5  | 14     | 2528  | 101.38 | 2.9  |        |       |        |      |        |       |        |      |        |       |        |      |        |       |        |      |        |       |        |      |        |       |        |      |        |       |        |      |        |       |        |      |        |       |        |      |        |       |        |      |        |       |        |      |        |       |        |      |        |       |        |      |        |       |        |      |        |       |        |      |        |       |        |      |        |       |        |      |        |       |        |      |        |       |        |      |        |       |        |      |        |       |        |      |       |       |        |      |       |       |        |      |       |       |        |       |       |       |        |       |       |       |        |       |       |       |        |       |       |       |        |       |       |       |        |       |       |       |        |       |       |       |        |       |       |       |        |      |       |       |        |       |       |       |        |       |       |       |        |      |       |       |        |       |       |       |        |       |       |       |        |      |       |       |        |       |       |       |        |       |        |       |        |       |        |       |        |       |        |       |        |       |        |       |        |      |        |       |        |      |        |       |        |       |        |       |        |       |        |       |        |       |        |       |        |       |        |       |        |       |        |       |        |       |        |       |        |       |        |       |        |       |        |       |        |       |        |       |        |       |        |      |        |       |        |       |        |      |        |       |        |      |        |      |        |       |        |       |        |       |        |       |        |       |        |      |        |      |        |      |        |      |        |      |        |      |        |      |        |      |        |      |        |      |        |      |        |      |        |      |        |      |        |      |        |      |        |      |        |      |        |      |        |      |        |      |        |      |        |      |        |      |        |      |        |      |        |      |        |      |        |      |        |      |        |      |        |      |        |      |        |      |
| 4.2           | 8594       | 172.33   | 1.31                   | 4.6         | 7721    | 154.81        | 1.46       | 5.7      | 6269                   | 125.71      | 1.80    | 5.6    | 6365  | 255.25 | 1.16 | 6.7    | 5363  | 215.04 | 1.37 | 7.2    | 4970  | 199.31 | 1.48 | 8.1    | 4455  | 178.64 | 1.65 | 8.9    | 4022  | 161.28 | 1.83 | 9.8    | 3653  | 146.49 | 2.02 | 11     | 3241  | 129.97 | 2.3  | 12    | 2941  | 117.94 | 2.5  | 14     | 2528  | 101.38 | 2.9  |        |       |        |      |        |       |        |      |        |       |        |      |        |       |        |      |        |       |        |      |        |       |        |      |        |       |        |      |        |       |        |      |        |       |        |      |        |       |        |      |        |       |        |      |        |       |        |      |        |       |        |      |        |       |        |      |        |       |        |      |        |       |        |      |        |       |        |      |        |       |        |      |        |       |        |      |        |       |        |      |        |       |        |      |        |       |        |      |       |       |        |      |       |       |        |      |       |       |        |       |       |       |        |       |       |       |        |       |       |       |        |       |       |       |        |       |       |       |        |       |       |       |        |       |       |       |        |       |       |       |        |      |       |       |        |       |       |       |        |       |       |       |        |      |       |       |        |       |       |       |        |       |       |       |        |      |       |       |        |       |       |       |        |       |        |       |        |       |        |       |        |       |        |       |        |       |        |       |        |      |        |       |        |      |        |       |        |       |        |       |        |       |        |       |        |       |        |       |        |       |        |       |        |       |        |       |        |       |        |       |        |       |        |       |        |       |        |       |        |       |        |       |        |       |        |      |        |       |        |       |        |      |        |       |        |      |        |      |        |       |        |       |        |       |        |       |        |       |        |      |        |      |        |      |        |      |        |      |        |      |        |      |        |      |        |      |        |      |        |      |        |      |        |      |        |      |        |      |        |      |        |      |        |      |        |      |        |      |        |      |        |      |        |      |        |      |        |      |        |      |        |      |        |      |        |      |        |      |        |      |        |      |        |      |        |      |
| 4.6           | 7721       | 154.81   | 1.46                   | 5.7         | 6269    | 125.71        | 1.80       | 5.6      | 6365                   | 255.25      | 1.16    | 6.7    | 5363  | 215.04 | 1.37 | 7.2    | 4970  | 199.31 | 1.48 | 8.1    | 4455  | 178.64 | 1.65 | 8.9    | 4022  | 161.28 | 1.83 | 9.8    | 3653  | 146.49 | 2.02 | 11     | 3241  | 129.97 | 2.3  | 12     | 2941  | 117.94 | 2.5  | 14    | 2528  | 101.38 | 2.9  |        |       |        |      |        |       |        |      |        |       |        |      |        |       |        |      |        |       |        |      |        |       |        |      |        |       |        |      |        |       |        |      |        |       |        |      |        |       |        |      |        |       |        |      |        |       |        |      |        |       |        |      |        |       |        |      |        |       |        |      |        |       |        |      |        |       |        |      |        |       |        |      |        |       |        |      |        |       |        |      |        |       |        |      |        |       |        |      |        |       |        |      |       |       |        |      |       |       |        |      |       |       |        |       |       |       |        |       |       |       |        |       |       |       |        |       |       |       |        |       |       |       |        |       |       |       |        |       |       |       |        |       |       |       |        |      |       |       |        |       |       |       |        |       |       |       |        |      |       |       |        |       |       |       |        |       |       |       |        |      |       |       |        |       |       |       |        |       |        |       |        |       |        |       |        |       |        |       |        |       |        |       |        |      |        |       |        |      |        |       |        |       |        |       |        |       |        |       |        |       |        |       |        |       |        |       |        |       |        |       |        |       |        |       |        |       |        |       |        |       |        |       |        |       |        |       |        |       |        |      |        |       |        |       |        |      |        |       |        |      |        |      |        |       |        |       |        |       |        |       |        |       |        |      |        |      |        |      |        |      |        |      |        |      |        |      |        |      |        |      |        |      |        |      |        |      |        |      |        |      |        |      |        |      |        |      |        |      |        |      |        |      |        |      |        |      |        |      |        |      |        |      |        |      |        |      |        |      |        |      |        |      |        |      |        |      |        |      |        |      |
| 5.7           | 6269       | 125.71   | 1.80                   | 5.6         | 6365    | 255.25        | 1.16       | 6.7      | 5363                   | 215.04      | 1.37    | 7.2    | 4970  | 199.31 | 1.48 | 8.1    | 4455  | 178.64 | 1.65 | 8.9    | 4022  | 161.28 | 1.83 | 9.8    | 3653  | 146.49 | 2.02 | 11     | 3241  | 129.97 | 2.3  | 12     | 2941  | 117.94 | 2.5  | 14     | 2528  | 101.38 | 2.9  |       |       |        |      |        |       |        |      |        |       |        |      |        |       |        |      |        |       |        |      |        |       |        |      |        |       |        |      |        |       |        |      |        |       |        |      |        |       |        |      |        |       |        |      |        |       |        |      |        |       |        |      |        |       |        |      |        |       |        |      |        |       |        |      |        |       |        |      |        |       |        |      |        |       |        |      |        |       |        |      |        |       |        |      |        |       |        |      |        |       |        |      |        |       |        |      |       |       |        |      |       |       |        |      |       |       |        |       |       |       |        |       |       |       |        |       |       |       |        |       |       |       |        |       |       |       |        |       |       |       |        |       |       |       |        |       |       |       |        |      |       |       |        |       |       |       |        |       |       |       |        |      |       |       |        |       |       |       |        |       |       |       |        |      |       |       |        |       |       |       |        |       |        |       |        |       |        |       |        |       |        |       |        |       |        |       |        |      |        |       |        |      |        |       |        |       |        |       |        |       |        |       |        |       |        |       |        |       |        |       |        |       |        |       |        |       |        |       |        |       |        |       |        |       |        |       |        |       |        |       |        |       |        |      |        |       |        |       |        |      |        |       |        |      |        |      |        |       |        |       |        |       |        |       |        |       |        |      |        |      |        |      |        |      |        |      |        |      |        |      |        |      |        |      |        |      |        |      |        |      |        |      |        |      |        |      |        |      |        |      |        |      |        |      |        |      |        |      |        |      |        |      |        |      |        |      |        |      |        |      |        |      |        |      |        |      |        |      |        |      |        |      |        |      |
| 5.6           | 6365       | 255.25   | 1.16                   | 6.7         | 5363    | 215.04        | 1.37       | 7.2      | 4970                   | 199.31      | 1.48    | 8.1    | 4455  | 178.64 | 1.65 | 8.9    | 4022  | 161.28 | 1.83 | 9.8    | 3653  | 146.49 | 2.02 | 11     | 3241  | 129.97 | 2.3  | 12     | 2941  | 117.94 | 2.5  | 14     | 2528  | 101.38 | 2.9  |        |       |        |      |       |       |        |      |        |       |        |      |        |       |        |      |        |       |        |      |        |       |        |      |        |       |        |      |        |       |        |      |        |       |        |      |        |       |        |      |        |       |        |      |        |       |        |      |        |       |        |      |        |       |        |      |        |       |        |      |        |       |        |      |        |       |        |      |        |       |        |      |        |       |        |      |        |       |        |      |        |       |        |      |        |       |        |      |        |       |        |      |        |       |        |      |        |       |        |      |       |       |        |      |       |       |        |      |       |       |        |       |       |       |        |       |       |       |        |       |       |       |        |       |       |       |        |       |       |       |        |       |       |       |        |       |       |       |        |       |       |       |        |      |       |       |        |       |       |       |        |       |       |       |        |      |       |       |        |       |       |       |        |       |       |       |        |      |       |       |        |       |       |       |        |       |        |       |        |       |        |       |        |       |        |       |        |       |        |       |        |      |        |       |        |      |        |       |        |       |        |       |        |       |        |       |        |       |        |       |        |       |        |       |        |       |        |       |        |       |        |       |        |       |        |       |        |       |        |       |        |       |        |       |        |       |        |      |        |       |        |       |        |      |        |       |        |      |        |      |        |       |        |       |        |       |        |       |        |       |        |      |        |      |        |      |        |      |        |      |        |      |        |      |        |      |        |      |        |      |        |      |        |      |        |      |        |      |        |      |        |      |        |      |        |      |        |      |        |      |        |      |        |      |        |      |        |      |        |      |        |      |        |      |        |      |        |      |        |      |        |      |        |      |        |      |        |      |
| 6.7           | 5363       | 215.04   | 1.37                   | 7.2         | 4970    | 199.31        | 1.48       | 8.1      | 4455                   | 178.64      | 1.65    | 8.9    | 4022  | 161.28 | 1.83 | 9.8    | 3653  | 146.49 | 2.02 | 11     | 3241  | 129.97 | 2.3  | 12     | 2941  | 117.94 | 2.5  | 14     | 2528  | 101.38 | 2.9  |        |       |        |      |        |       |        |      |       |       |        |      |        |       |        |      |        |       |        |      |        |       |        |      |        |       |        |      |        |       |        |      |        |       |        |      |        |       |        |      |        |       |        |      |        |       |        |      |        |       |        |      |        |       |        |      |        |       |        |      |        |       |        |      |        |       |        |      |        |       |        |      |        |       |        |      |        |       |        |      |        |       |        |      |        |       |        |      |        |       |        |      |        |       |        |      |        |       |        |      |        |       |        |      |       |       |        |      |       |       |        |      |       |       |        |       |       |       |        |       |       |       |        |       |       |       |        |       |       |       |        |       |       |       |        |       |       |       |        |       |       |       |        |       |       |       |        |      |       |       |        |       |       |       |        |       |       |       |        |      |       |       |        |       |       |       |        |       |       |       |        |      |       |       |        |       |       |       |        |       |        |       |        |       |        |       |        |       |        |       |        |       |        |       |        |      |        |       |        |      |        |       |        |       |        |       |        |       |        |       |        |       |        |       |        |       |        |       |        |       |        |       |        |       |        |       |        |       |        |       |        |       |        |       |        |       |        |       |        |       |        |      |        |       |        |       |        |      |        |       |        |      |        |      |        |       |        |       |        |       |        |       |        |       |        |      |        |      |        |      |        |      |        |      |        |      |        |      |        |      |        |      |        |      |        |      |        |      |        |      |        |      |        |      |        |      |        |      |        |      |        |      |        |      |        |      |        |      |        |      |        |      |        |      |        |      |        |      |        |      |        |      |        |      |        |      |        |      |        |      |        |      |
| 7.2           | 4970       | 199.31   | 1.48                   | 8.1         | 4455    | 178.64        | 1.65       | 8.9      | 4022                   | 161.28      | 1.83    | 9.8    | 3653  | 146.49 | 2.02 | 11     | 3241  | 129.97 | 2.3  | 12     | 2941  | 117.94 | 2.5  | 14     | 2528  | 101.38 | 2.9  |        |       |        |      |        |       |        |      |        |       |        |      |       |       |        |      |        |       |        |      |        |       |        |      |        |       |        |      |        |       |        |      |        |       |        |      |        |       |        |      |        |       |        |      |        |       |        |      |        |       |        |      |        |       |        |      |        |       |        |      |        |       |        |      |        |       |        |      |        |       |        |      |        |       |        |      |        |       |        |      |        |       |        |      |        |       |        |      |        |       |        |      |        |       |        |      |        |       |        |      |        |       |        |      |        |       |        |      |       |       |        |      |       |       |        |      |       |       |        |       |       |       |        |       |       |       |        |       |       |       |        |       |       |       |        |       |       |       |        |       |       |       |        |       |       |       |        |       |       |       |        |      |       |       |        |       |       |       |        |       |       |       |        |      |       |       |        |       |       |       |        |       |       |       |        |      |       |       |        |       |       |       |        |       |        |       |        |       |        |       |        |       |        |       |        |       |        |       |        |      |        |       |        |      |        |       |        |       |        |       |        |       |        |       |        |       |        |       |        |       |        |       |        |       |        |       |        |       |        |       |        |       |        |       |        |       |        |       |        |       |        |       |        |       |        |      |        |       |        |       |        |      |        |       |        |      |        |      |        |       |        |       |        |       |        |       |        |       |        |      |        |      |        |      |        |      |        |      |        |      |        |      |        |      |        |      |        |      |        |      |        |      |        |      |        |      |        |      |        |      |        |      |        |      |        |      |        |      |        |      |        |      |        |      |        |      |        |      |        |      |        |      |        |      |        |      |        |      |        |      |        |      |        |      |        |      |
| 8.1           | 4455       | 178.64   | 1.65                   | 8.9         | 4022    | 161.28        | 1.83       | 9.8      | 3653                   | 146.49      | 2.02    | 11     | 3241  | 129.97 | 2.3  | 12     | 2941  | 117.94 | 2.5  | 14     | 2528  | 101.38 | 2.9  |        |       |        |      |        |       |        |      |        |       |        |      |        |       |        |      |       |       |        |      |        |       |        |      |        |       |        |      |        |       |        |      |        |       |        |      |        |       |        |      |        |       |        |      |        |       |        |      |        |       |        |      |        |       |        |      |        |       |        |      |        |       |        |      |        |       |        |      |        |       |        |      |        |       |        |      |        |       |        |      |        |       |        |      |        |       |        |      |        |       |        |      |        |       |        |      |        |       |        |      |        |       |        |      |        |       |        |      |        |       |        |      |       |       |        |      |       |       |        |      |       |       |        |       |       |       |        |       |       |       |        |       |       |       |        |       |       |       |        |       |       |       |        |       |       |       |        |       |       |       |        |       |       |       |        |      |       |       |        |       |       |       |        |       |       |       |        |      |       |       |        |       |       |       |        |       |       |       |        |      |       |       |        |       |       |       |        |       |        |       |        |       |        |       |        |       |        |       |        |       |        |       |        |      |        |       |        |      |        |       |        |       |        |       |        |       |        |       |        |       |        |       |        |       |        |       |        |       |        |       |        |       |        |       |        |       |        |       |        |       |        |       |        |       |        |       |        |       |        |      |        |       |        |       |        |      |        |       |        |      |        |      |        |       |        |       |        |       |        |       |        |       |        |      |        |      |        |      |        |      |        |      |        |      |        |      |        |      |        |      |        |      |        |      |        |      |        |      |        |      |        |      |        |      |        |      |        |      |        |      |        |      |        |      |        |      |        |      |        |      |        |      |        |      |        |      |        |      |        |      |        |      |        |      |        |      |        |      |        |      |
| 8.9           | 4022       | 161.28   | 1.83                   | 9.8         | 3653    | 146.49        | 2.02       | 11       | 3241                   | 129.97      | 2.3     | 12     | 2941  | 117.94 | 2.5  | 14     | 2528  | 101.38 | 2.9  |        |       |        |      |        |       |        |      |        |       |        |      |        |       |        |      |        |       |        |      |       |       |        |      |        |       |        |      |        |       |        |      |        |       |        |      |        |       |        |      |        |       |        |      |        |       |        |      |        |       |        |      |        |       |        |      |        |       |        |      |        |       |        |      |        |       |        |      |        |       |        |      |        |       |        |      |        |       |        |      |        |       |        |      |        |       |        |      |        |       |        |      |        |       |        |      |        |       |        |      |        |       |        |      |        |       |        |      |        |       |        |      |        |       |        |      |       |       |        |      |       |       |        |      |       |       |        |       |       |       |        |       |       |       |        |       |       |       |        |       |       |       |        |       |       |       |        |       |       |       |        |       |       |       |        |       |       |       |        |      |       |       |        |       |       |       |        |       |       |       |        |      |       |       |        |       |       |       |        |       |       |       |        |      |       |       |        |       |       |       |        |       |        |       |        |       |        |       |        |       |        |       |        |       |        |       |        |      |        |       |        |      |        |       |        |       |        |       |        |       |        |       |        |       |        |       |        |       |        |       |        |       |        |       |        |       |        |       |        |       |        |       |        |       |        |       |        |       |        |       |        |       |        |      |        |       |        |       |        |      |        |       |        |      |        |      |        |       |        |       |        |       |        |       |        |       |        |      |        |      |        |      |        |      |        |      |        |      |        |      |        |      |        |      |        |      |        |      |        |      |        |      |        |      |        |      |        |      |        |      |        |      |        |      |        |      |        |      |        |      |        |      |        |      |        |      |        |      |        |      |        |      |        |      |        |      |        |      |        |      |        |      |        |      |
| 9.8           | 3653       | 146.49   | 2.02                   | 11          | 3241    | 129.97        | 2.3        | 12       | 2941                   | 117.94      | 2.5     | 14     | 2528  | 101.38 | 2.9  |        |       |        |      |        |       |        |      |        |       |        |      |        |       |        |      |        |       |        |      |        |       |        |      |       |       |        |      |        |       |        |      |        |       |        |      |        |       |        |      |        |       |        |      |        |       |        |      |        |       |        |      |        |       |        |      |        |       |        |      |        |       |        |      |        |       |        |      |        |       |        |      |        |       |        |      |        |       |        |      |        |       |        |      |        |       |        |      |        |       |        |      |        |       |        |      |        |       |        |      |        |       |        |      |        |       |        |      |        |       |        |      |        |       |        |      |        |       |        |      |       |       |        |      |       |       |        |      |       |       |        |       |       |       |        |       |       |       |        |       |       |       |        |       |       |       |        |       |       |       |        |       |       |       |        |       |       |       |        |       |       |       |        |      |       |       |        |       |       |       |        |       |       |       |        |      |       |       |        |       |       |       |        |       |       |       |        |      |       |       |        |       |       |       |        |       |        |       |        |       |        |       |        |       |        |       |        |       |        |       |        |      |        |       |        |      |        |       |        |       |        |       |        |       |        |       |        |       |        |       |        |       |        |       |        |       |        |       |        |       |        |       |        |       |        |       |        |       |        |       |        |       |        |       |        |       |        |      |        |       |        |       |        |      |        |       |        |      |        |      |        |       |        |       |        |       |        |       |        |       |        |      |        |      |        |      |        |      |        |      |        |      |        |      |        |      |        |      |        |      |        |      |        |      |        |      |        |      |        |      |        |      |        |      |        |      |        |      |        |      |        |      |        |      |        |      |        |      |        |      |        |      |        |      |        |      |        |      |        |      |        |      |        |      |        |      |        |      |
| 11            | 3241       | 129.97   | 2.3                    | 12          | 2941    | 117.94        | 2.5        | 14       | 2528                   | 101.38      | 2.9     |        |       |        |      |        |       |        |      |        |       |        |      |        |       |        |      |        |       |        |      |        |       |        |      |        |       |        |      |       |       |        |      |        |       |        |      |        |       |        |      |        |       |        |      |        |       |        |      |        |       |        |      |        |       |        |      |        |       |        |      |        |       |        |      |        |       |        |      |        |       |        |      |        |       |        |      |        |       |        |      |        |       |        |      |        |       |        |      |        |       |        |      |        |       |        |      |        |       |        |      |        |       |        |      |        |       |        |      |        |       |        |      |        |       |        |      |        |       |        |      |        |       |        |      |       |       |        |      |       |       |        |      |       |       |        |       |       |       |        |       |       |       |        |       |       |       |        |       |       |       |        |       |       |       |        |       |       |       |        |       |       |       |        |       |       |       |        |      |       |       |        |       |       |       |        |       |       |       |        |      |       |       |        |       |       |       |        |       |       |       |        |      |       |       |        |       |       |       |        |       |        |       |        |       |        |       |        |       |        |       |        |       |        |       |        |      |        |       |        |      |        |       |        |       |        |       |        |       |        |       |        |       |        |       |        |       |        |       |        |       |        |       |        |       |        |       |        |       |        |       |        |       |        |       |        |       |        |       |        |       |        |      |        |       |        |       |        |      |        |       |        |      |        |      |        |       |        |       |        |       |        |       |        |       |        |      |        |      |        |      |        |      |        |      |        |      |        |      |        |      |        |      |        |      |        |      |        |      |        |      |        |      |        |      |        |      |        |      |        |      |        |      |        |      |        |      |        |      |        |      |        |      |        |      |        |      |        |      |        |      |        |      |        |      |        |      |        |      |        |      |        |      |
| 12            | 2941       | 117.94   | 2.5                    | 14          | 2528    | 101.38        | 2.9        |          |                        |             |         |        |       |        |      |        |       |        |      |        |       |        |      |        |       |        |      |        |       |        |      |        |       |        |      |        |       |        |      |       |       |        |      |        |       |        |      |        |       |        |      |        |       |        |      |        |       |        |      |        |       |        |      |        |       |        |      |        |       |        |      |        |       |        |      |        |       |        |      |        |       |        |      |        |       |        |      |        |       |        |      |        |       |        |      |        |       |        |      |        |       |        |      |        |       |        |      |        |       |        |      |        |       |        |      |        |       |        |      |        |       |        |      |        |       |        |      |        |       |        |      |        |       |        |      |       |       |        |      |       |       |        |      |       |       |        |       |       |       |        |       |       |       |        |       |       |       |        |       |       |       |        |       |       |       |        |       |       |       |        |       |       |       |        |       |       |       |        |      |       |       |        |       |       |       |        |       |       |       |        |      |       |       |        |       |       |       |        |       |       |       |        |      |       |       |        |       |       |       |        |       |        |       |        |       |        |       |        |       |        |       |        |       |        |       |        |      |        |       |        |      |        |       |        |       |        |       |        |       |        |       |        |       |        |       |        |       |        |       |        |       |        |       |        |       |        |       |        |       |        |       |        |       |        |       |        |       |        |       |        |       |        |      |        |       |        |       |        |      |        |       |        |      |        |      |        |       |        |       |        |       |        |       |        |       |        |      |        |      |        |      |        |      |        |      |        |      |        |      |        |      |        |      |        |      |        |      |        |      |        |      |        |      |        |      |        |      |        |      |        |      |        |      |        |      |        |      |        |      |        |      |        |      |        |      |        |      |        |      |        |      |        |      |        |      |        |      |        |      |        |      |        |      |
| 14            | 2528       | 101.38   | 2.9                    |             |         |               |            |          |                        |             |         |        |       |        |      |        |       |        |      |        |       |        |      |        |       |        |      |        |       |        |      |        |       |        |      |        |       |        |      |       |       |        |      |        |       |        |      |        |       |        |      |        |       |        |      |        |       |        |      |        |       |        |      |        |       |        |      |        |       |        |      |        |       |        |      |        |       |        |      |        |       |        |      |        |       |        |      |        |       |        |      |        |       |        |      |        |       |        |      |        |       |        |      |        |       |        |      |        |       |        |      |        |       |        |      |        |       |        |      |        |       |        |      |        |       |        |      |        |       |        |      |        |       |        |      |       |       |        |      |       |       |        |      |       |       |        |       |       |       |        |       |       |       |        |       |       |       |        |       |       |       |        |       |       |       |        |       |       |       |        |       |       |       |        |       |       |       |        |      |       |       |        |       |       |       |        |       |       |       |        |      |       |       |        |       |       |       |        |       |       |       |        |      |       |       |        |       |       |       |        |       |        |       |        |       |        |       |        |       |        |       |        |       |        |       |        |      |        |       |        |      |        |       |        |       |        |       |        |       |        |       |        |       |        |       |        |       |        |       |        |       |        |       |        |       |        |       |        |       |        |       |        |       |        |       |        |       |        |       |        |       |        |      |        |       |        |       |        |      |        |       |        |      |        |      |        |       |        |       |        |       |        |       |        |       |        |      |        |      |        |      |        |      |        |      |        |      |        |      |        |      |        |      |        |      |        |      |        |      |        |      |        |      |        |      |        |      |        |      |        |      |        |      |        |      |        |      |        |      |        |      |        |      |        |      |        |      |        |      |        |      |        |      |        |      |        |      |        |      |        |      |        |      |

减速机的外形安装尺寸在95页到101页里查找。The appearance of reducer installation dimensions in 95 to 101 page search page.



| 输出转速<br>r/min | 输出扭矩<br>Nm | 传动比<br>i | 使用系数<br>f <sub>B</sub> | 机型号<br>Type | 极数<br>p | 输出转速<br>r/min | 输出扭矩<br>Nm | 传动比<br>i | 使用系数<br>f <sub>B</sub> | 机型号<br>Type | 极数<br>p |
|---------------|------------|----------|------------------------|-------------|---------|---------------|------------|----------|------------------------|-------------|---------|
| <b>4kW</b>    |            |          |                        |             |         | <b>5.5kW</b>  |            |          |                        |             |         |
| 8.2           | 4385       | 175.83   | 0.92                   |             |         | 2.5           | 18699      | 576      | 0.90                   |             |         |
| 9.2           | 3919       | 157.16   | 1.03                   |             |         | 2.9           | 16329      | 503      | 1.04                   |             |         |
| 10            | 3528       | 141.47   | 1.15                   |             |         | 3.2           | 14479      | 446      | 1.17                   |             |         |
| 11            | 3195       | 128.12   | 1.27                   |             |         | 4.1           | 11460      | 353      | 1.48                   |             |         |
| 13            | 2833       | 113.61   | 1.43                   |             |         | 4.8           | 9771       | 301      | 1.73                   | F 157R97    | 4       |
| 14            | 2561       | 102.72   | 1.58                   |             |         | 5.3           | 8830       | 272      | 1.92                   |             |         |
| 15            | 2427       | 97.31    | 1.67                   | F 97        | 4       | 6.2           | 7499       | 231      | 2.3                    |             |         |
| 16            | 2263       | 90.77    | 1.79                   |             |         | 7.1           | 6558       | 202      | 2.6                    |             |         |
| 18            | 2023       | 81.13    | 2.0                    |             |         | 7.3           | 6363       | 196      | 2.7                    |             |         |
| 20            | 1821       | 73.03    | 2.2                    |             |         |               |            |          |                        |             |         |
| 22            | 1649       | 66.14    | 2.5                    |             |         | 3.5           | 13537      | 417      | 0.83                   |             |         |
|               |            |          |                        |             |         | 3.9           | 12109      | 373      | 0.93                   |             |         |
| 13            | 2730       | 109.49   | 1.03                   |             |         | 4.6           | 10129      | 312      | 1.11                   | F 127R87    | 4       |
| 15            | 2441       | 97.89    | 1.16                   |             |         | 4.9           | 9512       | 293      | 1.19                   |             |         |
| 16            | 2195       | 88.01    | 1.28                   |             |         | 5.5           | 8505       | 262      | 1.33                   |             |         |
| 19            | 1905       | 76.39    | 1.48                   |             |         | 6.4           | 7337       | 226      | 1.54                   |             |         |
| 21            | 1706       | 68.40    | 1.65                   | F 87        | 4       |               |            |          |                        |             |         |
| 25            | 1415       | 56.75    | 1.99                   |             |         | 3.4           | 13732      | 423      | 0.82                   | F 127R77    | 4       |
| 29            | 1254       | 50.29    | 2.2                    |             |         | 3.9           | 12044      | 371      | 0.94                   |             |         |
| 32            | 1128       | 45.22    | 2.5                    |             |         |               |            |          |                        |             |         |
| 22            | 1653       | 66.28    | 0.85                   |             |         | 2.7           | 18293      | 266.76   | 0.92                   |             |         |
| 25            | 1450       | 58.16    | 0.97                   |             |         | 3.3           | 14977      | 218.40   | 1.1                    |             |         |
| 26            | 1374       | 55.12    | 1.03                   |             |         | 4.0           | 12149      | 177.17   | 1.4                    |             |         |
| 30            | 1203       | 48.24    | 1.17                   |             |         | 4.4           | 11269      | 164.33   | 1.5                    |             |         |
| 33            | 1084       | 43.46    | 1.30                   |             |         | 5.1           | 9724       | 141.80   | 1.7                    |             |         |
| 38            | 951        | 38.12    | 1.48                   |             |         | 5.8           | 8581       | 125.14   | 2.0                    |             |         |
| 43            | 839        | 33.64    | 1.68                   |             |         | 6.6           | 7440       | 108.49   | 2.3                    | F 157       | 8       |
| 48            | 744        | 29.82    | 1.90                   | F 77        | 4       | 7.5           | 6619       | 96.53    | 2.6                    |             |         |
| 57            | 635        | 25.47    | 2.2                    |             |         | 8.3           | 5959       | 86.90    | 2.8                    |             |         |
| 50            | 717        | 28.59    | 1.97                   |             |         | 9.1           | 5450       | 79.47    | 3.1                    |             |         |
| 56            | 636        | 25.50    | 2.2                    |             |         | 10            | 4742       | 69.15    | 3.6                    |             |         |
| 67            | 534        | 21.43    | 2.6                    |             |         |               |            |          |                        |             |         |
| 73            | 491        | 19.70    | 2.9                    |             |         | 4.2           | 11817      | 172.33   | 0.95                   |             |         |
|               |            |          |                        |             |         | 4.7           | 10616      | 154.81   | 1.06                   | F 127       | 8       |
| 53            | 683        | 27.41    | 1.13                   |             |         | 5.7           | 8620       | 125.71   | 1.31                   |             |         |
| 57            | 627        | 25.13    | 1.23                   |             |         | 6.2           | 7555       | 116.00   | 1.42                   |             |         |
| 65            | 550        | 22.05    | 1.40                   |             |         |               |            |          |                        |             |         |
| 69            | 521        | 20.90    | 1.48                   |             |         | 6.7           | 7373       | 215.04   | 0.98                   |             |         |
| 79            | 456        | 18.29    | 1.69                   |             |         | 7.2           | 6834       | 199.31   | 1.06                   |             |         |
| 87            | 411        | 16.48    | 1.88                   |             |         | 8.1           | 6125       | 178.64   | 1.18                   |             |         |
| 100           | 361        | 14.46    | 2.1                    |             |         | 8.9           | 5530       | 161.28   | 1.31                   | F 107       | 4       |
| 113           | 318        | 12.76    | 2.4                    |             |         | 9.8           | 5023       | 146.49   | 1.44                   |             |         |
| 127           | 282        | 11.31    | 2.7                    |             |         | 11            | 4456       | 129.97   | 1.62                   |             |         |
| 149           | 241        | 9.66     | 3.2                    | F 67        | 4       |               |            |          |                        |             |         |
| 150           | 240        | 9.61     | 2.1                    |             |         | 12            | 4044       | 117.94   | 1.79                   |             |         |
| 158           | 227        | 9.11     | 2.4                    |             |         | 14            | 3476       | 101.38   | 2.1                    |             |         |
| 181           | 199        | 7.97     | 2.9                    |             |         | 16            | 3171       | 92.47    | 2.3                    | F 107       | 4       |
| 201           | 179        | 7.18     | 3.3                    |             |         | 16            | 3034       | 88.49    | 2.4                    |             |         |
| 229           | 157        | 6.30     | 3.6                    |             |         | 17            | 2880       | 83.99    | 2.5                    |             |         |
| 259           | 139        | 5.56     | 4.0                    |             |         |               |            |          |                        |             |         |
| 292           | 123        | 4.93     | 4.3                    |             |         | 11            | 4393       | 128.12   | 0.92                   |             |         |
| 342           | 105        | 4.21     | 4.5                    |             |         | 13            | 3895       | 113.61   | 1.04                   |             |         |
|               |            |          |                        |             |         | 14            | 3522       | 102.72   | 1.15                   |             |         |
| 68            | 528        | 21.17    | 1.07                   |             |         | 15            | 3336       | 97.31    | 1.21                   |             |         |
| 75            | 477        | 19.11    | 1.18                   |             |         | 16            | 3112       | 90.77    | 1.30                   |             |         |
| 86            | 419        | 16.81    | 1.35                   |             |         | 17            | 2985       | 87.06    | 1.35                   |             |         |
| 91            | 396        | 15.88    | 1.42                   |             |         | 18            | 2782       | 81.13    | 1.45                   | F 97        | 4       |
| 107           | 337        | 13.52    | 1.67                   |             |         | 19            | 2620       | 76.40    | 1.54                   |             |         |
| 117           | 306        | 12.29    | 1.84                   |             |         | 21            | 2504       | 73.03    | 1.68                   |             |         |
| 135           | 265        | 10.64    | 2.1                    |             |         | 22            | 2268       | 66.14    | 1.78                   |             |         |
| 155           | 232        | 9.31     | 1.70                   | F 57        | 4       | 25            | 2011       | 58.65    | 2.0                    |             |         |
| 176           | 204        | 8.19     | 1.93                   |             |         | 27            | 1818       | 53.03    | 2.2                    |             |         |
| 186           | 193        | 7.73     | 2.0                    |             |         |               |            |          |                        |             |         |
| 219           | 164        | 6.58     | 2.4                    |             |         | 16            | 3018       | 88.01    | 0.93                   |             |         |
| 241           | 149        | 5.98     | 2.6                    |             |         | 19            | 2619       | 76.39    | 1.08                   | F 87        | 4       |
| 278           | 129        | 5.18     | 3.0                    |             |         | 21            | 2345       | 68.40    | 1.20                   |             |         |
|               |            |          |                        |             |         | 25            | 1946       | 56.75    | 1.45                   |             |         |

减速机的外形安装尺寸在95页到101页里查找。The appearance of reducer installation dimensions in 95 to 101 page search page.



| 输出转速<br>r/min | 输出扭矩<br>Nm | 传动比<br>i | 使用系数<br>f <sub>B</sub> | 机型号<br>Type | 极数<br>p | 输出转速<br>r/min | 输出扭矩<br>Nm | 传动比<br>i | 使用系数<br>f <sub>B</sub> | 机型号<br>Type | 极数<br>p |       |       |       |       |        |      |              |       |        |      |              |      |       |       |              |      |        |       |              |       |        |       |          |       |        |       |              |       |        |       |          |       |              |       |          |       |        |       |              |       |       |       |          |       |        |       |              |       |          |       |        |       |        |       |              |       |        |       |        |       |        |      |          |       |        |       |        |       |        |      |          |      |       |       |        |       |        |       |       |       |        |      |       |       |        |       |        |       |              |      |       |       |              |      |        |       |              |       |        |       |              |       |       |       |          |       |        |       |              |       |        |      |          |       |        |      |              |       |        |       |        |       |              |       |          |       |              |       |        |       |        |       |          |       |              |       |        |       |          |       |        |       |          |       |        |       |              |       |              |       |          |      |          |       |              |       |              |      |        |       |       |       |          |       |          |       |        |       |        |       |        |       |          |       |          |       |        |       |        |       |       |       |        |       |        |       |       |       |       |       |        |       |        |       |       |       |        |       |        |       |              |       |        |       |              |       |        |       |        |       |              |       |        |       |        |       |              |       |        |      |          |       |              |       |        |      |          |       |        |       |        |       |          |       |              |       |        |       |          |       |        |       |              |       |        |       |        |       |        |       |          |       |              |       |        |       |        |       |          |       |              |       |        |      |       |       |              |       |              |      |              |      |              |       |              |      |          |      |       |       |              |       |          |       |              |       |          |       |          |       |              |      |        |       |              |       |              |       |        |       |        |       |          |       |          |       |          |       |       |       |        |       |       |       |        |       |       |      |        |       |          |       |       |       |          |       |        |       |        |       |        |       |          |       |        |       |        |       |        |      |        |       |        |       |       |       |        |       |        |       |        |       |        |       |        |       |        |      |       |       |        |       |        |       |        |       |       |       |        |       |        |       |        |      |        |       |        |       |       |       |        |       |        |       |        |      |        |       |        |       |       |       |        |      |        |       |        |      |        |       |        |      |       |       |        |      |       |       |        |      |       |       |        |      |       |       |        |      |       |       |        |      |       |      |       |      |       |      |       |      |       |      |       |      |       |      |       |      |       |      |       |      |       |      |       |      |       |      |       |      |       |      |       |      |       |      |       |      |       |      |       |      |       |      |       |      |       |      |       |     |    |      |       |     |    |      |       |     |    |      |       |     |    |      |       |     |    |      |       |     |  |  |  |  |  |  |  |  |
|---------------|------------|----------|------------------------|-------------|---------|---------------|------------|----------|------------------------|-------------|---------|-------|-------|-------|-------|--------|------|--------------|-------|--------|------|--------------|------|-------|-------|--------------|------|--------|-------|--------------|-------|--------|-------|----------|-------|--------|-------|--------------|-------|--------|-------|----------|-------|--------------|-------|----------|-------|--------|-------|--------------|-------|-------|-------|----------|-------|--------|-------|--------------|-------|----------|-------|--------|-------|--------|-------|--------------|-------|--------|-------|--------|-------|--------|------|----------|-------|--------|-------|--------|-------|--------|------|----------|------|-------|-------|--------|-------|--------|-------|-------|-------|--------|------|-------|-------|--------|-------|--------|-------|--------------|------|-------|-------|--------------|------|--------|-------|--------------|-------|--------|-------|--------------|-------|-------|-------|----------|-------|--------|-------|--------------|-------|--------|------|----------|-------|--------|------|--------------|-------|--------|-------|--------|-------|--------------|-------|----------|-------|--------------|-------|--------|-------|--------|-------|----------|-------|--------------|-------|--------|-------|----------|-------|--------|-------|----------|-------|--------|-------|--------------|-------|--------------|-------|----------|------|----------|-------|--------------|-------|--------------|------|--------|-------|-------|-------|----------|-------|----------|-------|--------|-------|--------|-------|--------|-------|----------|-------|----------|-------|--------|-------|--------|-------|-------|-------|--------|-------|--------|-------|-------|-------|-------|-------|--------|-------|--------|-------|-------|-------|--------|-------|--------|-------|--------------|-------|--------|-------|--------------|-------|--------|-------|--------|-------|--------------|-------|--------|-------|--------|-------|--------------|-------|--------|------|----------|-------|--------------|-------|--------|------|----------|-------|--------|-------|--------|-------|----------|-------|--------------|-------|--------|-------|----------|-------|--------|-------|--------------|-------|--------|-------|--------|-------|--------|-------|----------|-------|--------------|-------|--------|-------|--------|-------|----------|-------|--------------|-------|--------|------|-------|-------|--------------|-------|--------------|------|--------------|------|--------------|-------|--------------|------|----------|------|-------|-------|--------------|-------|----------|-------|--------------|-------|----------|-------|----------|-------|--------------|------|--------|-------|--------------|-------|--------------|-------|--------|-------|--------|-------|----------|-------|----------|-------|----------|-------|-------|-------|--------|-------|-------|-------|--------|-------|-------|------|--------|-------|----------|-------|-------|-------|----------|-------|--------|-------|--------|-------|--------|-------|----------|-------|--------|-------|--------|-------|--------|------|--------|-------|--------|-------|-------|-------|--------|-------|--------|-------|--------|-------|--------|-------|--------|-------|--------|------|-------|-------|--------|-------|--------|-------|--------|-------|-------|-------|--------|-------|--------|-------|--------|------|--------|-------|--------|-------|-------|-------|--------|-------|--------|-------|--------|------|--------|-------|--------|-------|-------|-------|--------|------|--------|-------|--------|------|--------|-------|--------|------|-------|-------|--------|------|-------|-------|--------|------|-------|-------|--------|------|-------|-------|--------|------|-------|-------|--------|------|-------|------|-------|------|-------|------|-------|------|-------|------|-------|------|-------|------|-------|------|-------|------|-------|------|-------|------|-------|------|-------|------|-------|------|-------|------|-------|------|-------|------|-------|------|-------|------|-------|------|-------|------|-------|------|-------|------|-------|-----|----|------|-------|-----|----|------|-------|-----|----|------|-------|-----|----|------|-------|-----|----|------|-------|-----|--|--|--|--|--|--|--|--|
| <b>5.5kW</b>  |            |          |                        |             |         | <b>7.5kW</b>  |            |          |                        |             |         |       |       |       |       |        |      |              |       |        |      |              |      |       |       |              |      |        |       |              |       |        |       |          |       |        |       |              |       |        |       |          |       |              |       |          |       |        |       |              |       |       |       |          |       |        |       |              |       |          |       |        |       |        |       |              |       |        |       |        |       |        |      |          |       |        |       |        |       |        |      |          |      |       |       |        |       |        |       |       |       |        |      |       |       |        |       |        |       |              |      |       |       |              |      |        |       |              |       |        |       |              |       |       |       |          |       |        |       |              |       |        |      |          |       |        |      |              |       |        |       |        |       |              |       |          |       |              |       |        |       |        |       |          |       |              |       |        |       |          |       |        |       |          |       |        |       |              |       |              |       |          |      |          |       |              |       |              |      |        |       |       |       |          |       |          |       |        |       |        |       |        |       |          |       |          |       |        |       |        |       |       |       |        |       |        |       |       |       |       |       |        |       |        |       |       |       |        |       |        |       |              |       |        |       |              |       |        |       |        |       |              |       |        |       |        |       |              |       |        |      |          |       |              |       |        |      |          |       |        |       |        |       |          |       |              |       |        |       |          |       |        |       |              |       |        |       |        |       |        |       |          |       |              |       |        |       |        |       |          |       |              |       |        |      |       |       |              |       |              |      |              |      |              |       |              |      |          |      |       |       |              |       |          |       |              |       |          |       |          |       |              |      |        |       |              |       |              |       |        |       |        |       |          |       |          |       |          |       |       |       |        |       |       |       |        |       |       |      |        |       |          |       |       |       |          |       |        |       |        |       |        |       |          |       |        |       |        |       |        |      |        |       |        |       |       |       |        |       |        |       |        |       |        |       |        |       |        |      |       |       |        |       |        |       |        |       |       |       |        |       |        |       |        |      |        |       |        |       |       |       |        |       |        |       |        |      |        |       |        |       |       |       |        |      |        |       |        |      |        |       |        |      |       |       |        |      |       |       |        |      |       |       |        |      |       |       |        |      |       |       |        |      |       |      |       |      |       |      |       |      |       |      |       |      |       |      |       |      |       |      |       |      |       |      |       |      |       |      |       |      |       |      |       |      |       |      |       |      |       |      |       |      |       |      |       |      |       |      |       |     |    |      |       |     |    |      |       |     |    |      |       |     |    |      |       |     |    |      |       |     |  |  |  |  |  |  |  |  |
| 29            | 1724       | 50.29    | 1.64                   | F 87        | 4       | 8.4           | 8023       | 85.80    | 2.1                    | F 157       | 8       |       |       |       |       |        |      |              |       |        |      |              |      |       |       |              |      |        |       |              |       |        |       |          |       |        |       |              |       |        |       |          |       |              |       |          |       |        |       |              |       |       |       |          |       |        |       |              |       |          |       |        |       |        |       |              |       |        |       |        |       |        |      |          |       |        |       |        |       |        |      |          |      |       |       |        |       |        |       |       |       |        |      |       |       |        |       |        |       |              |      |       |       |              |      |        |       |              |       |        |       |              |       |       |       |          |       |        |       |              |       |        |      |          |       |        |      |              |       |        |       |        |       |              |       |          |       |              |       |        |       |        |       |          |       |              |       |        |       |          |       |        |       |          |       |        |       |              |       |              |       |          |      |          |       |              |       |              |      |        |       |       |       |          |       |          |       |        |       |        |       |        |       |          |       |          |       |        |       |        |       |       |       |        |       |        |       |       |       |       |       |        |       |        |       |       |       |        |       |        |       |              |       |        |       |              |       |        |       |        |       |              |       |        |       |        |       |              |       |        |      |          |       |              |       |        |      |          |       |        |       |        |       |          |       |              |       |        |       |          |       |        |       |              |       |        |       |        |       |        |       |          |       |              |       |        |       |        |       |          |       |              |       |        |      |       |       |              |       |              |      |              |      |              |       |              |      |          |      |       |       |              |       |          |       |              |       |          |       |          |       |              |      |        |       |              |       |              |       |        |       |        |       |          |       |          |       |          |       |       |       |        |       |       |       |        |       |       |      |        |       |          |       |       |       |          |       |        |       |        |       |        |       |          |       |        |       |        |       |        |      |        |       |        |       |       |       |        |       |        |       |        |       |        |       |        |       |        |      |       |       |        |       |        |       |        |       |       |       |        |       |        |       |        |      |        |       |        |       |       |       |        |       |        |       |        |      |        |       |        |       |       |       |        |      |        |       |        |      |        |       |        |      |       |       |        |      |       |       |        |      |       |       |        |      |       |       |        |      |       |       |        |      |       |      |       |      |       |      |       |      |       |      |       |      |       |      |       |      |       |      |       |      |       |      |       |      |       |      |       |      |       |      |       |      |       |      |       |      |       |      |       |      |       |      |       |      |       |      |       |     |    |      |       |     |    |      |       |     |    |      |       |     |    |      |       |     |    |      |       |     |  |  |  |  |  |  |  |  |
| 32            | 1550       | 45.22    | 1.82                   |             |         | 37            | 1346       | 39.25    | 2.1                    |             |         | 41    | 1205  | 35.14 | 2.3   | 49     | 1000 | 29.16        | 2.8   | 42     | 1170 | 34.11        | 2.1  | 51    | 974   | 28.41        | 2.4  | 54     | 909   | 26.50        | 3.1   | 61     | 812   | 23.68    | 3.5   | 61     | 812   | 23.68        | 3.5   |        |       |          |       |              |       |          |       |        |       |              |       | 30    | 1654  | 48.24    | 0.85  | F 77   | 4     | 3.6          | 18709 | 266.76   | 0.90  | F 157  | 6     | 33     | 1490  | 43.46        | 0.95  | 38     | 1307  | 38.12  | 1.08  | 43     | 1153 | 33.64    | 1.22  | 48     | 1022  | 29.82  | 1.38  | 57     | 873  | 25.47    | 1.61 | 56    | 874   | 25.50  | 1.61  | 67     | 735   | 21.43 | 1.92  | 73     | 675  | 19.70 | 2.1   | 82     | 600   | 17.49  | 2.4   | 92           | 536  | 15.64 | 2.6   | 102          | 482  | 14.06  | 2.9   | 118          | 418   | 12.20  | 3.4   | 118          | 418   | 12.20 | 3.4   |          |       |        |       |              |       |        |      |          |       |        |      | 65           | 756   | 22.05  | 1.02  | F 67   | 4     | 5.7          | 11816 | 126.36   | 0.95  | F 127        | 8     | 69     | 717   | 20.9   | 1.08  | 79       | 627   | 18.29        | 1.23  | 87     | 565   | 16.48    | 1.36  | 100    | 496   | 14.46    | 1.55  | 113    | 438   | 12.76        | 1.76  | 127          | 388   | 11.31    | 2.0  | 149      | 331   | 9.66         | 2.3   | 150          | 329  | 9.61   | 1.5   | 158   | 312   | 9.11     | 1.7   | 181      | 273   | 7.97   | 2.1   | 201    | 246   | 7.18   | 2.4   | 229      | 216   | 6.30     | 2.7   | 259    | 191   | 5.56   | 2.9   | 292   | 169   | 4.93   | 3.1   | 342    | 144   | 4.21  | 3.3   |       |       |        |       |        |       |       |       |        |       |        |       | 86           | 576   | 16.81  | 0.98  | F 57         | 4     | 6.2    | 10776 | 115.24 | 1.05  | F 127        | 6     | 91     | 544   | 15.88  | 1.04  | 107          | 464   | 13.52  | 1.22 | 117      | 421   | 12.29        | 1.34  | 135    | 365  | 10.64    | 1.55  | 176    | 281   | 8.19   | 1.41  | 186      | 265   | 7.73         | 1.49  | 219    | 226   | 6.58     | 1.75  | 241    | 205   | 5.98         | 1.93  | 278    | 178   | 5.18   | 2.2   |        |       |          |       |              |       |        |       |        |       |          |       | <b>7.5kW</b> |       |        |      |       |       |              |       |              |      |              |      | 4.6          | 13812 | 312          | 0.82 | F 127R87 | 4    | 8.2   | 8238  | 178.64       | 0.88  | F 107    | 4     | 4.9          | 12971 | 293      | 0.87  | 5.5      | 11598 | 262          | 0.97 | 6.4    | 10005 | 226          | 1.13  | 7.2          | 8854  | 200    | 1.27  |        |       |          |       |          |       |          |       |       |       |        |       | 3.3   | 20350 | 217.62 | 0.83  | F 157 | 8    | 9.1    | 7437  | 161.28   | 1.97  | F 97  | 4     | 4.0      | 16664 | 178.20 | 1.02  | 4.4    | 15238 | 162.96 | 1.11  | 5.1      | 13260 | 141.80 | 1.28  | 5.8    | 11702 | 125.14 | 1.45 | 6.6    | 10145 | 108.49 | 1.67  | 7.5   | 9027  | 96.53  | 1.87  | 15     | 4487  | 97.31  | 0.90  | 16     | 4186  | 90.77  | 0.97  | 17     | 4015 | 87.06 | 1.01  | 18     | 3741  | 81.13  | 1.08  | 19     | 3523  | 76.40 | 1.15  | 21     | 3229  | 70.03  | 1.25  | 22     | 3050 | 66.14  | 1.33  | 25     | 2705  | 58.65 | 1.49  | 28     | 2445  | 53.03  | 1.65  | 32     | 2072 | 44.94  | 1.95  | 37     | 1810  | 39.26 | 2.2   | 44     | 1514 | 32.83  | 2.7   | 33     | 2023 | 43.87  | 2.0   | 40     | 1704 | 36.96 | 2.4   | 43     | 1580 | 34.26 | 2.6   | 48     | 1416 | 30.70 | 2.9   |        |      |       |       |        |      |       |       |        |      |       |      |       |      |       |      |       |      |       |      |       |      |       |      |       |      |       |      |       |      |       |      |       |      |       |      |       |      |       |      |       |      |       |      |       |      |       |      |       |      |       |      |       |      |       |      |       |     |    |      |       |     |    |      |       |     |    |      |       |     |    |      |       |     |    |      |       |     |  |  |  |  |  |  |  |  |
| 37            | 1346       | 39.25    | 2.1                    |             |         | 41            | 1205       | 35.14    | 2.3                    |             |         | 49    | 1000  | 29.16 | 2.8   | 42     | 1170 | 34.11        | 2.1   | 51     | 974  | 28.41        | 2.4  | 54    | 909   | 26.50        | 3.1  | 61     | 812   | 23.68        | 3.5   | 61     | 812   | 23.68    | 3.5   |        |       |              |       |        |       |          |       |              |       |          |       | 30     | 1654  | 48.24        | 0.85  | F 77  | 4     | 3.6      | 18709 |        |       | 266.76       | 0.90  | F 157    | 6     |        |       | 33     | 1490  | 43.46        | 0.95  | 38     | 1307  | 38.12  | 1.08  | 43     | 1153 | 33.64    | 1.22  | 48     | 1022  | 29.82  | 1.38  | 57     | 873  | 25.47    | 1.61 | 56    | 874   | 25.50  | 1.61  | 67     | 735   | 21.43 | 1.92  | 73     | 675  | 19.70 | 2.1   | 82     | 600   | 17.49  | 2.4   | 92           | 536  | 15.64 | 2.6   | 102          | 482  | 14.06  | 2.9   | 118          | 418   | 12.20  | 3.4   | 118          | 418   | 12.20 | 3.4   |          |       |        |       |              |       |        |      |          |       |        |      | 65           | 756   | 22.05  | 1.02  |        |       | F 67         | 4     | 5.7      | 11816 |              |       | 126.36 | 0.95  | F 127  | 8     | 69       | 717   | 20.9         | 1.08  | 79     | 627   | 18.29    | 1.23  | 87     | 565   | 16.48    | 1.36  | 100    | 496   | 14.46        | 1.55  | 113          | 438   | 12.76    | 1.76 | 127      | 388   | 11.31        | 2.0   | 149          | 331  | 9.66   | 2.3   | 150   | 329   | 9.61     | 1.5   | 158      | 312   | 9.11   | 1.7   | 181    | 273   | 7.97   | 2.1   | 201      | 246   | 7.18     | 2.4   | 229    | 216   | 6.30   | 2.7   | 259   | 191   | 5.56   | 2.9   | 292    | 169   | 4.93  | 3.1   | 342   | 144   | 4.21   | 3.3   |        |       |       |       |        |       |        |       |              |       |        |       |              |       | 86     | 576   | 16.81  | 0.98  |              |       | F 57   | 4     | 6.2    | 10776 | 115.24       | 1.05  | F 127  | 6    | 91       | 544   | 15.88        | 1.04  | 107    | 464  | 13.52    | 1.22  | 117    | 421   | 12.29  | 1.34  | 135      | 365   | 10.64        | 1.55  | 176    | 281   | 8.19     | 1.41  | 186    | 265   | 7.73         | 1.49  | 219    | 226   | 6.58   | 1.75  | 241    | 205   | 5.98     | 1.93  | 278          | 178   | 5.18   | 2.2   |        |       |          |       |              |       |        |      |       |       |              |       | <b>7.5kW</b> |      |              |      |              |       |              |      |          |      |       |       | 4.6          | 13812 |          |       | 312          | 0.82  | F 127R87 | 4     | 8.2      | 8238  | 178.64       | 0.88 | F 107  | 4     | 4.9          | 12971 | 293          | 0.87  | 5.5    | 11598 | 262    | 0.97  | 6.4      | 10005 | 226      | 1.13  | 7.2      | 8854  | 200   | 1.27  |        |       |       |       |        |       |       |      |        |       |          |       |       |       | 3.3      | 20350 | 217.62 | 0.83  | F 157  | 8     | 9.1    | 7437  | 161.28   | 1.97  | F 97   | 4     | 4.0    | 16664 | 178.20 | 1.02 | 4.4    | 15238 | 162.96 | 1.11  | 5.1   | 13260 | 141.80 | 1.28  | 5.8    | 11702 | 125.14 | 1.45  | 6.6    | 10145 | 108.49 | 1.67  | 7.5    | 9027 | 96.53 | 1.87  | 15     | 4487  | 97.31  | 0.90  | 16     | 4186  | 90.77 | 0.97  | 17     | 4015  | 87.06  | 1.01  | 18     | 3741 | 81.13  | 1.08  | 19     | 3523  | 76.40 | 1.15  | 21     | 3229  | 70.03  | 1.25  | 22     | 3050 | 66.14  | 1.33  | 25     | 2705  | 58.65 | 1.49  | 28     | 2445 | 53.03  | 1.65  | 32     | 2072 | 44.94  | 1.95  | 37     | 1810 | 39.26 | 2.2   | 44     | 1514 | 32.83 | 2.7   | 33     | 2023 | 43.87 | 2.0   | 40     | 1704 | 36.96 | 2.4   | 43     | 1580 | 34.26 | 2.6   | 48     | 1416 | 30.70 | 2.9  |       |      |       |      |       |      |       |      |       |      |       |      |       |      |       |      |       |      |       |      |       |      |       |      |       |      |       |      |       |      |       |      |       |      |       |      |       |      |       |      |       |      |       |      |       |     |    |      |       |     |    |      |       |     |    |      |       |     |    |      |       |     |    |      |       |     |  |  |  |  |  |  |  |  |
| 41            | 1205       | 35.14    | 2.3                    |             |         | 49            | 1000       | 29.16    | 2.8                    |             |         | 42    | 1170  | 34.11 | 2.1   | 51     | 974  | 28.41        | 2.4   | 54     | 909  | 26.50        | 3.1  | 61    | 812   | 23.68        | 3.5  | 61     | 812   | 23.68        | 3.5   |        |       |          |       |        |       |              |       |        |       |          |       | 30           | 1654  | 48.24    | 0.85  | F 77   | 4     | 3.6          | 18709 |       |       | 266.76   | 0.90  |        |       | F 157        | 6     |          |       |        |       | 33     | 1490  | 43.46        | 0.95  | 38     | 1307  | 38.12  | 1.08  | 43     | 1153 | 33.64    | 1.22  | 48     | 1022  | 29.82  | 1.38  | 57     | 873  | 25.47    | 1.61 | 56    | 874   | 25.50  | 1.61  | 67     | 735   | 21.43 | 1.92  | 73     | 675  | 19.70 | 2.1   | 82     | 600   | 17.49  | 2.4   | 92           | 536  | 15.64 | 2.6   | 102          | 482  | 14.06  | 2.9   | 118          | 418   | 12.20  | 3.4   | 118          | 418   | 12.20 | 3.4   |          |       |        |       |              |       |        |      |          |       |        |      | 65           | 756   | 22.05  | 1.02  |        |       |              |       | F 67     | 4     |              |       | 5.7    | 11816 |        |       | 126.36   | 0.95  | F 127        | 8     | 69     | 717   | 20.9     | 1.08  | 79     | 627   | 18.29    | 1.23  | 87     | 565   | 16.48        | 1.36  | 100          | 496   | 14.46    | 1.55 | 113      | 438   | 12.76        | 1.76  | 127          | 388  | 11.31  | 2.0   | 149   | 331   | 9.66     | 2.3   | 150      | 329   | 9.61   | 1.5   | 158    | 312   | 9.11   | 1.7   | 181      | 273   | 7.97     | 2.1   | 201    | 246   | 7.18   | 2.4   | 229   | 216   | 6.30   | 2.7   | 259    | 191   | 5.56  | 2.9   | 292   | 169   | 4.93   | 3.1   | 342    | 144   | 4.21  | 3.3   |        |       |        |       |              |       |        |       |              |       |        |       | 86     | 576   |              |       |        |       | 16.81  | 0.98  | F 57         | 4     |        |      | 6.2      | 10776 | 115.24       | 1.05  | F 127  | 6    | 91       | 544   | 15.88  | 1.04  | 107    | 464   | 13.52    | 1.22  | 117          | 421   | 12.29  | 1.34  | 135      | 365   | 10.64  | 1.55  | 176          | 281   | 8.19   | 1.41  | 186    | 265   | 7.73   | 1.49  | 219      | 226   | 6.58         | 1.75  | 241    | 205   | 5.98   | 1.93  | 278      | 178   | 5.18         | 2.2   |        |      |       |       |              |       |              |      |              |      |              |       | <b>7.5kW</b> |      |          |      |       |       |              |       |          |       |              |       |          |       | 4.6      | 13812 | 312          | 0.82 |        |       | F 127R87     | 4     | 8.2          | 8238  | 178.64 | 0.88  | F 107  | 4     | 4.9      | 12971 | 293      | 0.87  | 5.5      | 11598 | 262   | 0.97  | 6.4    | 10005 | 226   | 1.13  | 7.2    | 8854  |       |      | 200    | 1.27  |          |       |       |       |          |       |        |       |        |       |        |       | 3.3      | 20350 |        |       | 217.62 | 0.83  | F 157  | 8    | 9.1    | 7437  | 161.28 | 1.97  | F 97  | 4     | 4.0    | 16664 | 178.20 | 1.02  | 4.4    | 15238 | 162.96 | 1.11  | 5.1    | 13260 | 141.80 | 1.28 | 5.8   | 11702 | 125.14 | 1.45  | 6.6    | 10145 | 108.49 | 1.67  | 7.5   | 9027  | 96.53  | 1.87  | 15     | 4487  | 97.31  | 0.90 | 16     | 4186  | 90.77  | 0.97  | 17    | 4015  | 87.06  | 1.01  | 18     | 3741  | 81.13  | 1.08 | 19     | 3523  | 76.40  | 1.15  | 21    | 3229  | 70.03  | 1.25 | 22     | 3050  | 66.14  | 1.33 | 25     | 2705  | 58.65  | 1.49 | 28    | 2445  | 53.03  | 1.65 | 32    | 2072  | 44.94  | 1.95 | 37    | 1810  | 39.26  | 2.2  | 44    | 1514  | 32.83  | 2.7  | 33    | 2023  | 43.87  | 2.0  | 40    | 1704 | 36.96 | 2.4  | 43    | 1580 | 34.26 | 2.6  | 48    | 1416 | 30.70 | 2.9  |       |      |       |      |       |      |       |      |       |      |       |      |       |      |       |      |       |      |       |      |       |      |       |      |       |      |       |      |       |      |       |      |       |      |       |     |    |      |       |     |    |      |       |     |    |      |       |     |    |      |       |     |    |      |       |     |  |  |  |  |  |  |  |  |
| 49            | 1000       | 29.16    | 2.8                    |             |         | 42            | 1170       | 34.11    | 2.1                    |             |         | 51    | 974   | 28.41 | 2.4   | 54     | 909  | 26.50        | 3.1   | 61     | 812  | 23.68        | 3.5  | 61    | 812   | 23.68        | 3.5  |        |       |              |       |        |       |          |       |        |       |              |       | 30     | 1654  | 48.24    | 0.85  | F 77         | 4     | 3.6      | 18709 |        |       | 266.76       | 0.90  |       |       | F 157    | 6     |        |       |              |       |          |       |        |       | 33     | 1490  | 43.46        | 0.95  | 38     | 1307  | 38.12  | 1.08  | 43     | 1153 | 33.64    | 1.22  | 48     | 1022  | 29.82  | 1.38  | 57     | 873  | 25.47    | 1.61 | 56    | 874   | 25.50  | 1.61  | 67     | 735   | 21.43 | 1.92  | 73     | 675  | 19.70 | 2.1   | 82     | 600   | 17.49  | 2.4   | 92           | 536  | 15.64 | 2.6   | 102          | 482  | 14.06  | 2.9   | 118          | 418   | 12.20  | 3.4   | 118          | 418   | 12.20 | 3.4   |          |       |        |       |              |       |        |      |          |       |        |      | 65           | 756   | 22.05  | 1.02  |        |       |              |       |          |       | F 67         | 4     | 5.7    | 11816 |        |       | 126.36   | 0.95  |              |       | F 127  | 8     | 69       | 717   | 20.9   | 1.08  | 79       | 627   | 18.29  | 1.23  | 87           | 565   | 16.48        | 1.36  | 100      | 496  | 14.46    | 1.55  | 113          | 438   | 12.76        | 1.76 | 127    | 388   | 11.31 | 2.0   | 149      | 331   | 9.66     | 2.3   | 150    | 329   | 9.61   | 1.5   | 158    | 312   | 9.11     | 1.7   | 181      | 273   | 7.97   | 2.1   | 201    | 246   | 7.18  | 2.4   | 229    | 216   | 6.30   | 2.7   | 259   | 191   | 5.56  | 2.9   | 292    | 169   | 4.93   | 3.1   | 342   | 144   | 4.21   | 3.3   |        |       |              |       |        |       |              |       |        |       |        |       |              |       |        |       | 86     | 576   |              |       |        |      | 16.81    | 0.98  | F 57         | 4     |        |      | 6.2      | 10776 | 115.24 | 1.05  | F 127  | 6     | 91       | 544   | 15.88        | 1.04  | 107    | 464   | 13.52    | 1.22  | 117    | 421   | 12.29        | 1.34  | 135    | 365   | 10.64  | 1.55  | 176    | 281   | 8.19     | 1.41  | 186          | 265   | 7.73   | 1.49  | 219    | 226   | 6.58     | 1.75  | 241          | 205   | 5.98   | 1.93 | 278   | 178   | 5.18         | 2.2   |              |      |              |      |              |       |              |      |          |      |       |       | <b>7.5kW</b> |       |          |       |              |       |          |       |          |       |              |      |        |       |              |       | 4.6          | 13812 | 312    | 0.82  |        |       | F 127R87 | 4     | 8.2      | 8238  | 178.64   | 0.88  | F 107 | 4     | 4.9    | 12971 | 293   | 0.87  | 5.5    | 11598 |       |      | 262    | 0.97  | 6.4      | 10005 |       |       | 226      | 1.13  | 7.2    | 8854  |        |       | 200    | 1.27  |          |       |        |       |        |       |        |      |        |       |        |       |       |       | 3.3    | 20350 | 217.62 | 0.83  | F 157  | 8     | 9.1    | 7437  | 161.28 | 1.97  | F 97   | 4    | 4.0   | 16664 | 178.20 | 1.02  | 4.4    | 15238 | 162.96 | 1.11  | 5.1   | 13260 | 141.80 | 1.28  | 5.8    | 11702 | 125.14 | 1.45 | 6.6    | 10145 | 108.49 | 1.67  | 7.5   | 9027  | 96.53  | 1.87  | 15     | 4487  | 97.31  | 0.90 | 16     | 4186  | 90.77  | 0.97  | 17    | 4015  | 87.06  | 1.01 | 18     | 3741  | 81.13  | 1.08 | 19     | 3523  | 76.40  | 1.15 | 21    | 3229  | 70.03  | 1.25 | 22    | 3050  | 66.14  | 1.33 | 25    | 2705  | 58.65  | 1.49 | 28    | 2445  | 53.03  | 1.65 | 32    | 2072  | 44.94  | 1.95 | 37    | 1810 | 39.26 | 2.2  | 44    | 1514 | 32.83 | 2.7  | 33    | 2023 | 43.87 | 2.0  | 40    | 1704 | 36.96 | 2.4  | 43    | 1580 | 34.26 | 2.6  | 48    | 1416 | 30.70 | 2.9  |       |      |       |      |       |      |       |      |       |      |       |      |       |      |       |      |       |      |       |      |       |      |       |     |    |      |       |     |    |      |       |     |    |      |       |     |    |      |       |     |    |      |       |     |  |  |  |  |  |  |  |  |
| 42            | 1170       | 34.11    | 2.1                    |             |         | 51            | 974        | 28.41    | 2.4                    |             |         | 54    | 909   | 26.50 | 3.1   | 61     | 812  | 23.68        | 3.5   | 61     | 812  | 23.68        | 3.5  |       |       |              |      |        |       |              |       |        |       |          |       | 30     | 1654  | 48.24        | 0.85  | F 77   | 4     | 3.6      | 18709 |              |       | 266.76   | 0.90  |        |       | F 157        | 6     |       |       |          |       |        |       |              |       |          |       |        |       | 33     | 1490  | 43.46        | 0.95  | 38     | 1307  | 38.12  | 1.08  | 43     | 1153 | 33.64    | 1.22  | 48     | 1022  | 29.82  | 1.38  | 57     | 873  | 25.47    | 1.61 | 56    | 874   | 25.50  | 1.61  | 67     | 735   | 21.43 | 1.92  | 73     | 675  | 19.70 | 2.1   | 82     | 600   | 17.49  | 2.4   | 92           | 536  | 15.64 | 2.6   | 102          | 482  | 14.06  | 2.9   | 118          | 418   | 12.20  | 3.4   | 118          | 418   | 12.20 | 3.4   |          |       |        |       |              |       |        |      |          |       |        |      | 65           | 756   | 22.05  | 1.02  |        |       |              |       |          |       |              |       | F 67   | 4     | 5.7    | 11816 | 126.36   | 0.95  |              |       |        |       | F 127    | 8     | 69     | 717   | 20.9     | 1.08  | 79     | 627   | 18.29        | 1.23  | 87           | 565   | 16.48    | 1.36 | 100      | 496   | 14.46        | 1.55  | 113          | 438  | 12.76  | 1.76  | 127   | 388   | 11.31    | 2.0   | 149      | 331   | 9.66   | 2.3   | 150    | 329   | 9.61   | 1.5   | 158      | 312   | 9.11     | 1.7   | 181    | 273   | 7.97   | 2.1   | 201   | 246   | 7.18   | 2.4   | 229    | 216   | 6.30  | 2.7   | 259   | 191   | 5.56   | 2.9   | 292    | 169   | 4.93  | 3.1   | 342    | 144   | 4.21   | 3.3   |              |       |        |       |              |       |        |       |        |       |              |       |        |       | 86     | 576   |              |       | 16.81  | 0.98 | F 57     | 4     |              |       |        |      | 6.2      | 10776 | 115.24 | 1.05  |        |       | F 127    | 6     | 91           | 544   | 15.88  | 1.04  | 107      | 464   | 13.52  | 1.22  | 117          | 421   | 12.29  | 1.34  | 135    | 365   | 10.64  | 1.55  | 176      | 281   | 8.19         | 1.41  | 186    | 265   | 7.73   | 1.49  | 219      | 226   | 6.58         | 1.75  | 241    | 205  | 5.98  | 1.93  | 278          | 178   | 5.18         | 2.2  |              |      |              |       |              |      |          |      |       |       |              |       |          |       | <b>7.5kW</b> |       |          |       |          |       |              |      |        |       |              |       | 4.6          | 13812 | 312    | 0.82  |        |       |          |       | F 127R87 | 4     | 8.2      | 8238  |       |       | 178.64 | 0.88  | F 107 | 4     | 4.9    | 12971 |       |      | 293    | 0.87  | 5.5      | 11598 |       |       | 262      | 0.97  | 6.4    | 10005 |        |       | 226    | 1.13  | 7.2      | 8854  |        |       | 200    | 1.27  |        |      |        |       |        |       |       |       |        |       |        |       |        |       | 3.3    | 20350 | 217.62 | 0.83  |        |      | F 157 | 8     | 9.1    | 7437  | 161.28 | 1.97  | F 97   | 4     | 4.0   | 16664 | 178.20 | 1.02  | 4.4    | 15238 | 162.96 | 1.11 | 5.1    | 13260 | 141.80 | 1.28  | 5.8   | 11702 | 125.14 | 1.45  | 6.6    | 10145 | 108.49 | 1.67 | 7.5    | 9027  | 96.53  | 1.87  | 15    | 4487  | 97.31  | 0.90 | 16     | 4186  | 90.77  | 0.97 | 17     | 4015  | 87.06  | 1.01 | 18    | 3741  | 81.13  | 1.08 | 19    | 3523  | 76.40  | 1.15 | 21    | 3229  | 70.03  | 1.25 | 22    | 3050  | 66.14  | 1.33 | 25    | 2705  | 58.65  | 1.49 | 28    | 2445 | 53.03 | 1.65 | 32    | 2072 | 44.94 | 1.95 | 37    | 1810 | 39.26 | 2.2  | 44    | 1514 | 32.83 | 2.7  | 33    | 2023 | 43.87 | 2.0  | 40    | 1704 | 36.96 | 2.4  | 43    | 1580 | 34.26 | 2.6  | 48    | 1416 | 30.70 | 2.9  |       |      |       |      |       |      |       |      |       |      |       |      |       |      |       |     |    |      |       |     |    |      |       |     |    |      |       |     |    |      |       |     |    |      |       |     |  |  |  |  |  |  |  |  |
| 51            | 974        | 28.41    | 2.4                    |             |         | 54            | 909        | 26.50    | 3.1                    |             |         | 61    | 812   | 23.68 | 3.5   | 61     | 812  | 23.68        | 3.5   |        |      |              |      |       |       |              |      |        |       |              |       | 30     | 1654  | 48.24    | 0.85  | F 77   | 4     | 3.6          | 18709 |        |       | 266.76   | 0.90  |              |       | F 157    | 6     |        |       |              |       |       |       |          |       |        |       |              |       |          |       |        |       | 33     | 1490  | 43.46        | 0.95  | 38     | 1307  | 38.12  | 1.08  | 43     | 1153 | 33.64    | 1.22  | 48     | 1022  | 29.82  | 1.38  | 57     | 873  | 25.47    | 1.61 | 56    | 874   | 25.50  | 1.61  | 67     | 735   | 21.43 | 1.92  | 73     | 675  | 19.70 | 2.1   | 82     | 600   | 17.49  | 2.4   | 92           | 536  | 15.64 | 2.6   | 102          | 482  | 14.06  | 2.9   | 118          | 418   | 12.20  | 3.4   | 118          | 418   | 12.20 | 3.4   |          |       |        |       |              |       |        |      |          |       |        |      | 65           | 756   | 22.05  | 1.02  |        |       |              |       |          |       |              |       |        |       | F 67   | 4     | 5.7      | 11816 | 126.36       | 0.95  |        |       |          |       | F 127  | 8     | 69       | 717   | 20.9   | 1.08  | 79           | 627   | 18.29        | 1.23  | 87       | 565  | 16.48    | 1.36  | 100          | 496   | 14.46        | 1.55 | 113    | 438   | 12.76 | 1.76  | 127      | 388   | 11.31    | 2.0   | 149    | 331   | 9.66   | 2.3   | 150    | 329   | 9.61     | 1.5   | 158      | 312   | 9.11   | 1.7   | 181    | 273   | 7.97  | 2.1   | 201    | 246   | 7.18   | 2.4   | 229   | 216   | 6.30  | 2.7   | 259    | 191   | 5.56   | 2.9   | 292   | 169   | 4.93   | 3.1   | 342    | 144   | 4.21         | 3.3   |        |       |              |       |        |       |        |       |              |       |        |       | 86     | 576   |              |       | 16.81  | 0.98 |          |       |              |       | F 57   | 4    | 6.2      | 10776 | 115.24 | 1.05  |        |       |          |       | F 127        | 6     | 91     | 544   | 15.88    | 1.04  | 107    | 464   | 13.52        | 1.22  | 117    | 421   | 12.29  | 1.34  | 135    | 365   | 10.64    | 1.55  | 176          | 281   | 8.19   | 1.41  | 186    | 265   | 7.73     | 1.49  | 219          | 226   | 6.58   | 1.75 | 241   | 205   | 5.98         | 1.93  | 278          | 178  | 5.18         | 2.2  |              |       |              |      |          |      |       |       |              |       |          |       | <b>7.5kW</b> |       |          |       |          |       |              |      |        |       |              |       | 4.6          | 13812 | 312    | 0.82  |        |       |          |       |          |       | F 127R87 | 4     |       |       | 8.2    | 8238  |       |       | 178.64 | 0.88  |       |      | F 107  | 4     | 4.9      | 12971 |       |       | 293      | 0.87  | 5.5    | 11598 |        |       | 262    | 0.97  | 6.4      | 10005 |        |       | 226    | 1.13  |        |      | 7.2    | 8854  | 200    | 1.27  |       |       |        |       |        |       |        |       |        |       |        |       |        |      |       |       | 3.3    | 20350 | 217.62 | 0.83  |        |       | F 157 | 8     | 9.1    | 7437  | 161.28 | 1.97  | F 97   | 4    | 4.0    | 16664 | 178.20 | 1.02  | 4.4   | 15238 | 162.96 | 1.11  | 5.1    | 13260 | 141.80 | 1.28 | 5.8    | 11702 | 125.14 | 1.45  | 6.6   | 10145 | 108.49 | 1.67 | 7.5    | 9027  | 96.53  | 1.87 | 15     | 4487  | 97.31  | 0.90 | 16    | 4186  | 90.77  | 0.97 | 17    | 4015  | 87.06  | 1.01 | 18    | 3741  | 81.13  | 1.08 | 19    | 3523  | 76.40  | 1.15 | 21    | 3229  | 70.03  | 1.25 | 22    | 3050 | 66.14 | 1.33 | 25    | 2705 | 58.65 | 1.49 | 28    | 2445 | 53.03 | 1.65 | 32    | 2072 | 44.94 | 1.95 | 37    | 1810 | 39.26 | 2.2  | 44    | 1514 | 32.83 | 2.7  | 33    | 2023 | 43.87 | 2.0  | 40    | 1704 | 36.96 | 2.4  | 43    | 1580 | 34.26 | 2.6  | 48    | 1416 | 30.70 | 2.9  |       |      |       |      |       |      |       |     |    |      |       |     |    |      |       |     |    |      |       |     |    |      |       |     |    |      |       |     |  |  |  |  |  |  |  |  |
| 54            | 909        | 26.50    | 3.1                    |             |         | 61            | 812        | 23.68    | 3.5                    |             |         | 61    | 812   | 23.68 | 3.5   |        |      |              |       |        |      |              |      |       |       |              |      | 30     | 1654  | 48.24        | 0.85  | F 77   | 4     | 3.6      | 18709 |        |       | 266.76       | 0.90  |        |       | F 157    | 6     |              |       |          |       |        |       |              |       |       |       |          |       |        |       |              |       |          |       |        |       | 33     | 1490  | 43.46        | 0.95  | 38     | 1307  | 38.12  | 1.08  | 43     | 1153 | 33.64    | 1.22  | 48     | 1022  | 29.82  | 1.38  | 57     | 873  | 25.47    | 1.61 | 56    | 874   | 25.50  | 1.61  | 67     | 735   | 21.43 | 1.92  | 73     | 675  | 19.70 | 2.1   | 82     | 600   | 17.49  | 2.4   | 92           | 536  | 15.64 | 2.6   | 102          | 482  | 14.06  | 2.9   | 118          | 418   | 12.20  | 3.4   | 118          | 418   | 12.20 | 3.4   |          |       |        |       |              |       |        |      |          |       |        |      | 65           | 756   | 22.05  | 1.02  |        |       |              |       |          |       |              |       |        |       |        |       | F 67     | 4     | 5.7          | 11816 | 126.36 | 0.95  |          |       |        |       | F 127    | 8     | 69     | 717   | 20.9         | 1.08  | 79           | 627   | 18.29    | 1.23 | 87       | 565   | 16.48        | 1.36  | 100          | 496  | 14.46  | 1.55  | 113   | 438   | 12.76    | 1.76  | 127      | 388   | 11.31  | 2.0   | 149    | 331   | 9.66   | 2.3   | 150      | 329   | 9.61     | 1.5   | 158    | 312   | 9.11   | 1.7   | 181   | 273   | 7.97   | 2.1   | 201    | 246   | 7.18  | 2.4   | 229   | 216   | 6.30   | 2.7   | 259    | 191   | 5.56  | 2.9   | 292    | 169   | 4.93   | 3.1   | 342          | 144   | 4.21   | 3.3   |              |       |        |       |        |       |              |       |        |       |        |       |              |       |        |      |          |       |              |       |        |      | 86       | 576   | 16.81  | 0.98  | F 57   | 4     |          |       |              |       | 6.2    | 10776 | 115.24   | 1.05  | F 127  | 6     | 91           | 544   | 15.88  | 1.04  | 107    | 464   | 13.52  | 1.22  | 117      | 421   | 12.29        | 1.34  | 135    | 365   | 10.64  | 1.55  | 176      | 281   | 8.19         | 1.41  | 186    | 265  | 7.73  | 1.49  | 219          | 226   | 6.58         | 1.75 | 241          | 205  | 5.98         | 1.93  | 278          | 178  | 5.18     | 2.2  |       |       |              |       |          |       |              |       |          |       |          |       | <b>7.5kW</b> |      |        |       |              |       |              |       |        |       |        |       |          |       |          |       |          |       |       |       | 4.6    | 13812 |       |       | 312    | 0.82  |       |      |        |       | F 127R87 | 4     |       |       | 8.2      | 8238  | 178.64 | 0.88  |        |       | F 107  | 4     | 4.9      | 12971 |        |       | 293    | 0.87  |        |      | 5.5    | 11598 | 262    | 0.97  |       |       | 6.4    | 10005 | 226    | 1.13  |        |       | 7.2    | 8854  | 200    | 1.27  |        |      |       |       |        |       |        |       |        |       |       |       |        |       |        |       |        |      | 3.3    | 20350 | 217.62 | 0.83  | F 157 | 8     | 9.1    | 7437  | 161.28 | 1.97  | F 97   | 4    | 4.0    | 16664 | 178.20 | 1.02  | 4.4   | 15238 | 162.96 | 1.11 | 5.1    | 13260 | 141.80 | 1.28 | 5.8    | 11702 | 125.14 | 1.45 | 6.6   | 10145 | 108.49 | 1.67 | 7.5   | 9027  | 96.53  | 1.87 | 15    | 4487  | 97.31  | 0.90 | 16    | 4186  | 90.77  | 0.97 | 17    | 4015  | 87.06  | 1.01 | 18    | 3741 | 81.13 | 1.08 | 19    | 3523 | 76.40 | 1.15 | 21    | 3229 | 70.03 | 1.25 | 22    | 3050 | 66.14 | 1.33 | 25    | 2705 | 58.65 | 1.49 | 28    | 2445 | 53.03 | 1.65 | 32    | 2072 | 44.94 | 1.95 | 37    | 1810 | 39.26 | 2.2  | 44    | 1514 | 32.83 | 2.7  | 33    | 2023 | 43.87 | 2.0  | 40    | 1704 | 36.96 | 2.4  | 43    | 1580 | 34.26 | 2.6 | 48 | 1416 | 30.70 | 2.9 |    |      |       |     |    |      |       |     |    |      |       |     |    |      |       |     |  |  |  |  |  |  |  |  |
| 61            | 812        | 23.68    | 3.5                    |             |         | 61            | 812        | 23.68    | 3.5                    |             |         |       |       |       |       |        |      |              |       |        |      |              |      | 30    | 1654  | 48.24        | 0.85 | F 77   | 4     | 3.6          | 18709 |        |       | 266.76   | 0.90  |        |       | F 157        | 6     |        |       |          |       |              |       |          |       |        |       |              |       |       |       |          |       |        |       |              |       |          |       |        |       | 33     | 1490  | 43.46        | 0.95  | 38     | 1307  | 38.12  | 1.08  | 43     | 1153 | 33.64    | 1.22  | 48     | 1022  | 29.82  | 1.38  | 57     | 873  | 25.47    | 1.61 | 56    | 874   | 25.50  | 1.61  | 67     | 735   | 21.43 | 1.92  | 73     | 675  | 19.70 | 2.1   | 82     | 600   | 17.49  | 2.4   | 92           | 536  | 15.64 | 2.6   | 102          | 482  | 14.06  | 2.9   | 118          | 418   | 12.20  | 3.4   | 118          | 418   | 12.20 | 3.4   |          |       |        |       |              |       |        |      |          |       |        |      | 65           | 756   | 22.05  | 1.02  |        |       |              |       |          |       |              |       |        |       |        |       |          |       | F 67         | 4     | 5.7    | 11816 | 126.36   | 0.95  |        |       |          |       | F 127  | 8     | 69           | 717   | 20.9         | 1.08  | 79       | 627  | 18.29    | 1.23  | 87           | 565   | 16.48        | 1.36 | 100    | 496   | 14.46 | 1.55  | 113      | 438   | 12.76    | 1.76  | 127    | 388   | 11.31  | 2.0   | 149    | 331   | 9.66     | 2.3   | 150      | 329   | 9.61   | 1.5   | 158    | 312   | 9.11  | 1.7   | 181    | 273   | 7.97   | 2.1   | 201   | 246   | 7.18  | 2.4   | 229    | 216   | 6.30   | 2.7   | 259   | 191   | 5.56   | 2.9   | 292    | 169   | 4.93         | 3.1   | 342    | 144   |              |       | 4.21   | 3.3   |        |       |              |       |        |       |        |       |              |       |        |      |          |       |              |       |        |      | 86       | 576   | 16.81  | 0.98  |        |       | F 57     | 4     |              |       | 6.2    | 10776 | 115.24   | 1.05  |        |       | F 127        | 6     | 91     | 544   | 15.88  | 1.04  | 107    | 464   | 13.52    | 1.22  | 117          | 421   | 12.29  | 1.34  | 135    | 365   | 10.64    | 1.55  | 176          | 281   | 8.19   | 1.41 | 186   | 265   | 7.73         | 1.49  | 219          | 226  | 6.58         | 1.75 | 241          | 205   | 5.98         | 1.93 | 278      | 178  | 5.18  | 2.2   |              |       |          |       |              |       |          |       |          |       |              |      |        |       | <b>7.5kW</b> |       |              |       |        |       |        |       |          |       |          |       |          |       |       |       |        |       |       |       |        |       |       |      |        |       |          |       |       |       | 4.6      | 13812 | 312    | 0.82  |        |       |        |       | F 127R87 | 4     |        |       | 8.2    | 8238  |        |      | 178.64 | 0.88  | F 107  | 4     |       |       | 4.9    | 12971 | 293    | 0.87  |        |       | 5.5    | 11598 | 262    | 0.97  |        |      |       |       | 6.4    | 10005 | 226    | 1.13  |        |       |       |       | 7.2    | 8854  | 200    | 1.27  |        |      |        |       |        |       |       |       |        |       |        |       |        |      | 3.3    | 20350 | 217.62 | 0.83  | F 157 | 8     | 9.1    | 7437 | 161.28 | 1.97  | F 97   | 4    | 4.0    | 16664 | 178.20 | 1.02 | 4.4   | 15238 | 162.96 | 1.11 | 5.1   | 13260 | 141.80 | 1.28 | 5.8   | 11702 | 125.14 | 1.45 | 6.6   | 10145 | 108.49 | 1.67 | 7.5   | 9027  | 96.53  | 1.87 | 15    | 4487 | 97.31 | 0.90 | 16    | 4186 | 90.77 | 0.97 | 17    | 4015 | 87.06 | 1.01 | 18    | 3741 | 81.13 | 1.08 | 19    | 3523 | 76.40 | 1.15 | 21    | 3229 | 70.03 | 1.25 | 22    | 3050 | 66.14 | 1.33 | 25    | 2705 | 58.65 | 1.49 | 28    | 2445 | 53.03 | 1.65 | 32    | 2072 | 44.94 | 1.95 | 37    | 1810 | 39.26 | 2.2  | 44    | 1514 | 32.83 | 2.7 | 33 | 2023 | 43.87 | 2.0 | 40 | 1704 | 36.96 | 2.4 | 43 | 1580 | 34.26 | 2.6 | 48 | 1416 | 30.70 | 2.9 |    |      |       |     |  |  |  |  |  |  |  |  |
| 61            | 812        | 23.68    | 3.5                    |             |         |               |            |          |                        |             |         |       |       |       |       |        |      | 30           | 1654  | 48.24  | 0.85 | F 77         | 4    | 3.6   | 18709 | 266.76       | 0.90 |        |       | F 157        | 6     |        |       | 33       | 1490  |        |       |              |       |        |       |          |       |              |       |          |       |        |       |              |       |       |       |          |       |        |       |              |       |          |       |        |       | 43.46  | 0.95  | 38           | 1307  | 38.12  | 1.08  | 43     | 1153  | 33.64  | 1.22 | 48       | 1022  | 29.82  | 1.38  | 57     | 873   | 25.47  | 1.61 | 56       | 874  | 25.50 | 1.61  | 67     | 735   | 21.43  | 1.92  | 73    | 675   | 19.70  | 2.1  | 82    | 600   | 17.49  | 2.4   | 92     | 536   | 15.64        | 2.6  | 102   | 482   | 14.06        | 2.9  | 118    | 418   | 12.20        | 3.4   | 118    | 418   | 12.20        | 3.4   |       |       |          |       |        |       |              |       |        |      |          |       | 65     | 756  | 22.05        | 1.02  | F 67   | 4     |        |       |              |       |          |       |              |       |        |       |        |       |          |       |              |       | 5.7    | 11816 | 126.36   | 0.95  | F 127  | 8     |          |       |        |       | 69           | 717   | 20.9         | 1.08  | 79       | 627  | 18.29    | 1.23  | 87           | 565   | 16.48        | 1.36 | 100    | 496   | 14.46 | 1.55  | 113      | 438   | 12.76    | 1.76  | 127    | 388   | 11.31  | 2.0   | 149    | 331   | 9.66     | 2.3   | 150      | 329   | 9.61   | 1.5   | 158    | 312   | 9.11  | 1.7   | 181    | 273   | 7.97   | 2.1   | 201   | 246   | 7.18  | 2.4   | 229    | 216   | 6.30   | 2.7   | 259   | 191   | 5.56   | 2.9   | 292    | 169   | 4.93         | 3.1   | 342    | 144   |              |       | 4.21   | 3.3   |        |       |              |       |        |       |        |       |              |       |        |      |          |       |              |       |        |      | 86       | 576   | 16.81  | 0.98  |        |       |          |       | F 57         | 4     | 6.2    | 10776 | 115.24   | 1.05  |        |       |              |       | F 127  | 6     | 91     | 544   | 15.88  | 1.04  | 107      | 464   | 13.52        | 1.22  | 117    | 421   | 12.29  | 1.34  | 135      | 365   | 10.64        | 1.55  | 176    | 281  | 8.19  | 1.41  | 186          | 265   | 7.73         | 1.49 | 219          | 226  | 6.58         | 1.75  | 241          | 205  | 5.98     | 1.93 | 278   | 178   | 5.18         | 2.2   |          |       |              |       |          |       |          |       |              |      |        |       |              |       | <b>7.5kW</b> |       |        |       |        |       |          |       |          |       |          |       |       |       | 4.6    | 13812 |       |       | 312    | 0.82  |       |      |        |       |          |       |       |       | F 127R87 | 4     | 8.2    | 8238  |        |       |        |       |          |       |        |       | 178.64 | 0.88  |        |      | F 107  | 4     |        |       |       |       | 4.9    | 12971 | 293    | 0.87  |        |       | 5.5    | 11598 | 262    | 0.97  |        |      |       |       | 6.4    | 10005 | 226    | 1.13  |        |       |       |       | 7.2    | 8854  | 200    | 1.27  |        |      |        |       |        |       |       |       |        |       |        |       |        |      | 3.3    | 20350 | 217.62 | 0.83  |       |       | F 157  | 8    | 9.1    | 7437  |        |      | 161.28 | 1.97  | F 97   | 4    | 4.0   | 16664 | 178.20 | 1.02 | 4.4   | 15238 | 162.96 | 1.11 | 5.1   | 13260 | 141.80 | 1.28 | 5.8   | 11702 | 125.14 | 1.45 | 6.6   | 10145 | 108.49 | 1.67 | 7.5   | 9027 | 96.53 | 1.87 | 15    | 4487 | 97.31 | 0.90 | 16    | 4186 | 90.77 | 0.97 | 17    | 4015 | 87.06 | 1.01 | 18    | 3741 | 81.13 | 1.08 | 19    | 3523 | 76.40 | 1.15 | 21    | 3229 | 70.03 | 1.25 | 22    | 3050 | 66.14 | 1.33 | 25    | 2705 | 58.65 | 1.49 | 28    | 2445 | 53.03 | 1.65 | 32    | 2072 | 44.94 | 1.95 | 37    | 1810 | 39.26 | 2.2 | 44 | 1514 | 32.83 | 2.7 | 33 | 2023 | 43.87 | 2.0 | 40 | 1704 | 36.96 | 2.4 | 43 | 1580 | 34.26 | 2.6 | 48 | 1416 | 30.70 | 2.9 |  |  |  |  |  |  |  |  |
|               |            |          |                        |             |         |               |            |          |                        |             |         |       |       |       |       |        |      |              |       |        |      |              |      |       |       |              |      |        |       |              |       |        |       |          |       |        |       |              |       |        |       |          |       |              |       |          |       |        |       |              |       |       |       |          |       |        |       |              |       |          |       |        |       |        |       |              |       |        |       |        |       |        |      |          |       |        |       |        |       |        |      |          |      |       |       |        |       |        |       |       |       |        |      |       |       |        |       |        |       |              |      |       |       |              |      |        |       |              |       |        |       |              |       |       |       |          |       |        |       |              |       |        |      |          |       |        |      |              |       |        |       |        |       |              |       |          |       |              |       |        |       |        |       |          |       |              |       |        |       |          |       |        |       |          |       |        |       |              |       |              |       |          |      |          |       |              |       |              |      |        |       |       |       |          |       |          |       |        |       |        |       |        |       |          |       |          |       |        |       |        |       |       |       |        |       |        |       |       |       |       |       |        |       |        |       |       |       |        |       |        |       |              |       |        |       |              |       |        |       |        |       |              |       |        |       |        |       |              |       |        |      |          |       |              |       |        |      |          |       |        |       |        |       |          |       |              |       |        |       |          |       |        |       |              |       |        |       |        |       |        |       |          |       |              |       |        |       |        |       |          |       |              |       |        |      |       |       |              |       |              |      |              |      |              |       |              |      |          |      |       |       |              |       |          |       |              |       |          |       |          |       |              |      |        |       |              |       |              |       |        |       |        |       |          |       |          |       |          |       |       |       |        |       |       |       |        |       |       |      |        |       |          |       |       |       |          |       |        |       |        |       |        |       |          |       |        |       |        |       |        |      |        |       |        |       |       |       |        |       |        |       |        |       |        |       |        |       |        |      |       |       |        |       |        |       |        |       |       |       |        |       |        |       |        |      |        |       |        |       |       |       |        |       |        |       |        |      |        |       |        |       |       |       |        |      |        |       |        |      |        |       |        |      |       |       |        |      |       |       |        |      |       |       |        |      |       |       |        |      |       |       |        |      |       |      |       |      |       |      |       |      |       |      |       |      |       |      |       |      |       |      |       |      |       |      |       |      |       |      |       |      |       |      |       |      |       |      |       |      |       |      |       |      |       |      |       |      |       |      |       |     |    |      |       |     |    |      |       |     |    |      |       |     |    |      |       |     |    |      |       |     |  |  |  |  |  |  |  |  |
| 30            | 1654       | 48.24    | 0.85                   | F 77        | 4       | 3.6           | 18709      | 266.76   | 0.90                   | F 157       | 6       |       |       |       |       |        |      |              |       |        |      |              |      |       |       |              |      |        |       |              |       |        |       |          |       |        |       |              |       |        |       |          |       |              |       |          |       |        |       |              |       |       |       |          |       |        |       |              |       |          |       |        |       |        |       |              |       |        |       |        |       |        |      |          |       |        |       |        |       |        |      |          |      |       |       |        |       |        |       |       |       |        |      |       |       |        |       |        |       |              |      |       |       |              |      |        |       |              |       |        |       |              |       |       |       |          |       |        |       |              |       |        |      |          |       |        |      |              |       |        |       |        |       |              |       |          |       |              |       |        |       |        |       |          |       |              |       |        |       |          |       |        |       |          |       |        |       |              |       |              |       |          |      |          |       |              |       |              |      |        |       |       |       |          |       |          |       |        |       |        |       |        |       |          |       |          |       |        |       |        |       |       |       |        |       |        |       |       |       |       |       |        |       |        |       |       |       |        |       |        |       |              |       |        |       |              |       |        |       |        |       |              |       |        |       |        |       |              |       |        |      |          |       |              |       |        |      |          |       |        |       |        |       |          |       |              |       |        |       |          |       |        |       |              |       |        |       |        |       |        |       |          |       |              |       |        |       |        |       |          |       |              |       |        |      |       |       |              |       |              |      |              |      |              |       |              |      |          |      |       |       |              |       |          |       |              |       |          |       |          |       |              |      |        |       |              |       |              |       |        |       |        |       |          |       |          |       |          |       |       |       |        |       |       |       |        |       |       |      |        |       |          |       |       |       |          |       |        |       |        |       |        |       |          |       |        |       |        |       |        |      |        |       |        |       |       |       |        |       |        |       |        |       |        |       |        |       |        |      |       |       |        |       |        |       |        |       |       |       |        |       |        |       |        |      |        |       |        |       |       |       |        |       |        |       |        |      |        |       |        |       |       |       |        |      |        |       |        |      |        |       |        |      |       |       |        |      |       |       |        |      |       |       |        |      |       |       |        |      |       |       |        |      |       |      |       |      |       |      |       |      |       |      |       |      |       |      |       |      |       |      |       |      |       |      |       |      |       |      |       |      |       |      |       |      |       |      |       |      |       |      |       |      |       |      |       |      |       |      |       |     |    |      |       |     |    |      |       |     |    |      |       |     |    |      |       |     |    |      |       |     |  |  |  |  |  |  |  |  |
| 33            | 1490       | 43.46    | 0.95                   |             |         | 38            | 1307       | 38.12    | 1.08                   |             |         | 43    | 1153  | 33.64 | 1.22  | 48     | 1022 | 29.82        | 1.38  | 57     | 873  |              |      | 25.47 | 1.61  | 56           | 874  |        |       |              |       |        |       | 25.50    | 1.61  |        |       |              |       |        |       |          |       |              |       |          |       |        |       |              |       |       |       |          |       |        |       |              |       |          |       |        |       | 67     | 735   | 21.43        | 1.92  | 73     | 675   | 19.70  | 2.1   | 82     | 600  | 17.49    | 2.4   | 92     | 536   | 15.64  | 2.6   | 102    | 482  | 14.06    | 2.9  | 118   | 418   | 12.20  | 3.4   | 118    | 418   | 12.20 | 3.4   |        |      |       |       |        |       |        |       |              |      |       |       | 65           | 756  | 22.05  | 1.02  | F 67         | 4     | 5.7    | 11816 | 126.36       | 0.95  | F 127 | 8     | 69       | 717   | 20.9   | 1.08  | 79           | 627   | 18.29  | 1.23 | 87       | 565   | 16.48  | 1.36 | 100          | 496   |        |       |        |       |              |       |          |       |              |       |        |       |        |       |          |       |              |       | 14.46  | 1.55  | 113      | 438   | 12.76  | 1.76  | 127      | 388   | 11.31  | 2.0   | 149          | 331   | 9.66         | 2.3   | 150      | 329  | 9.61     | 1.5   | 158          | 312   | 9.11         | 1.7  | 181    | 273   | 7.97  | 2.1   | 201      | 246   | 7.18     | 2.4   | 229    | 216   | 6.30   | 2.7   | 259    | 191   | 5.56     | 2.9   | 292      | 169   | 4.93   | 3.1   | 342    | 144   | 4.21  | 3.3   |        |       |        |       |       |       |       |       |        |       |        |       | 86    | 576   | 16.81  | 0.98  | F 57   | 4     | 6.2          | 10776 | 115.24 | 1.05  | F 127        | 6     | 91     | 544   | 15.88  | 1.04  | 107          | 464   | 13.52  | 1.22  | 117    | 421   |              |       | 12.29  | 1.34 |          |       |              |       |        |      | 135      | 365   | 10.64  | 1.55  |        |       |          |       |              |       | 176    | 281   | 8.19     | 1.41  | 186    | 265   | 7.73         | 1.49  | 219    | 226   | 6.58   | 1.75  | 241    | 205   | 5.98     | 1.93  | 278          | 178   | 5.18   | 2.2   |        |       |          |       |              |       |        |      |       |       |              |       | <b>7.5kW</b> |      |              |      |              |       |              |      |          |      |       |       | 4.6          | 13812 | 312      | 0.82  | F 127R87     | 4     | 8.2      | 8238  | 178.64   | 0.88  | F 107        | 4    | 4.9    | 12971 | 293          | 0.87  | 5.5          | 11598 | 262    | 0.97  |        |       | 6.4      | 10005 | 226      | 1.13  | 7.2      | 8854  |       |       | 200    | 1.27  |       |       |        |       |       |      |        |       |          |       |       |       |          |       | 3.3    | 20350 | 217.62 | 0.83  |        |       |          |       | F 157  | 8     | 9.1    | 7437  |        |      |        |       |        |       |       |       | 161.28 | 1.97  | F 97   | 4     |        |       | 4.0    | 16664 | 178.20 | 1.02  |        |      |       |       | 4.4    | 15238 | 162.96 | 1.11  |        |       |       |       | 5.1    | 13260 | 141.80 | 1.28  |        |      | 5.8    | 11702 | 125.14 | 1.45  |       |       | 6.6    | 10145 | 108.49 | 1.67  |        |      | 7.5    | 9027  | 96.53  | 1.87  |       |       |        |      | 15     | 4487  |        |      | 97.31  | 0.90  |        |      | 16    | 4186  | 90.77  | 0.97 | 17    | 4015  | 87.06  | 1.01 | 18    | 3741  | 81.13  | 1.08 | 19    | 3523  | 76.40  | 1.15 | 21    | 3229  | 70.03  | 1.25 | 22    | 3050 | 66.14 | 1.33 | 25    | 2705 | 58.65 | 1.49 | 28    | 2445 | 53.03 | 1.65 | 32    | 2072 | 44.94 | 1.95 | 37    | 1810 | 39.26 | 2.2  | 44    | 1514 | 32.83 | 2.7  | 33    | 2023 | 43.87 | 2.0  | 40    | 1704 | 36.96 | 2.4  | 43    | 1580 | 34.26 | 2.6  | 48    | 1416 | 30.70 | 2.9  |       |      |       |      |       |      |       |     |    |      |       |     |    |      |       |     |    |      |       |     |    |      |       |     |    |      |       |     |  |  |  |  |  |  |  |  |
| 38            | 1307       | 38.12    | 1.08                   |             |         | 43            | 1153       | 33.64    | 1.22                   |             |         | 48    | 1022  | 29.82 | 1.38  | 57     | 873  | 25.47        | 1.61  | 56     | 874  |              |      | 25.50 | 1.61  | 67           | 735  |        |       |              |       |        |       | 21.43    | 1.92  |        |       |              |       |        |       |          |       |              |       |          |       |        |       |              |       |       |       |          |       |        |       |              |       |          |       |        |       | 73     | 675   | 19.70        | 2.1   | 82     | 600   | 17.49  | 2.4   | 92     | 536  | 15.64    | 2.6   | 102    | 482   | 14.06  | 2.9   | 118    | 418  | 12.20    | 3.4  | 118   | 418   | 12.20  | 3.4   |        |       |       |       |        |      |       |       |        |       |        |       | 65           | 756  | 22.05 | 1.02  | F 67         | 4    | 5.7    | 11816 |              |       | 126.36 | 0.95  | F 127        | 8     |       |       | 69       | 717   | 20.9   | 1.08  | 79           | 627   | 18.29  | 1.23 | 87       | 565   | 16.48  | 1.36 | 100          | 496   |        |       |        |       |              |       |          |       |              |       |        |       |        |       |          |       |              |       | 14.46  | 1.55  | 113      | 438   | 12.76  | 1.76  | 127      | 388   | 11.31  | 2.0   | 149          | 331   | 9.66         | 2.3   | 150      | 329  | 9.61     | 1.5   | 158          | 312   | 9.11         | 1.7  | 181    | 273   | 7.97  | 2.1   | 201      | 246   | 7.18     | 2.4   | 229    | 216   | 6.30   | 2.7   | 259    | 191   | 5.56     | 2.9   | 292      | 169   | 4.93   | 3.1   | 342    | 144   | 4.21  | 3.3   |        |       |        |       |       |       |       |       |        |       |        |       | 86    | 576   | 16.81  | 0.98  |        |       | F 57         | 4     | 6.2    | 10776 |              |       | 115.24 | 1.05  | F 127  | 6     | 91           | 544   | 15.88  | 1.04  | 107    | 464   | 13.52        | 1.22  | 117    | 421  |          |       |              |       |        |      | 12.29    | 1.34  | 135    | 365   |        |       |          |       |              |       | 10.64  | 1.55  | 176      | 281   | 8.19   | 1.41  | 186          | 265   | 7.73   | 1.49  | 219    | 226   | 6.58   | 1.75  | 241      | 205   | 5.98         | 1.93  | 278    | 178   | 5.18   | 2.2   |          |       |              |       |        |      |       |       |              |       |              |      | <b>7.5kW</b> |      |              |       |              |      |          |      |       |       |              |       | 4.6      | 13812 |              |       | 312      | 0.82  | F 127R87 | 4     |              |      | 8.2    | 8238  | 178.64       | 0.88  | F 107        | 4     | 4.9    | 12971 | 293    | 0.87  | 5.5      | 11598 | 262      | 0.97  | 6.4      | 10005 |       |       | 226    | 1.13  |       |       | 7.2    | 8854  | 200   | 1.27 |        |       |          |       |       |       |          |       |        |       |        |       |        |       | 3.3      | 20350 |        |       | 217.62 | 0.83  | F 157  | 8    |        |       |        |       | 9.1   | 7437  | 161.28 | 1.97  |        |       |        |       | F 97   | 4     | 4.0    | 16664 |        |      |       |       | 178.20 | 1.02  | 4.4    | 15238 |        |       |       |       | 162.96 | 1.11  | 5.1    | 13260 |        |      | 141.80 | 1.28  | 5.8    | 11702 |       |       | 125.14 | 1.45  | 6.6    | 10145 |        |      | 108.49 | 1.67  | 7.5    | 9027  |       |       |        |      | 96.53  | 1.87  |        |      | 15     | 4487  |        |      | 97.31 | 0.90  | 16     | 4186 | 90.77 | 0.97  | 17     | 4015 | 87.06 | 1.01  | 18     | 3741 | 81.13 | 1.08  | 19     | 3523 | 76.40 | 1.15  | 21     | 3229 | 70.03 | 1.25 | 22    | 3050 | 66.14 | 1.33 | 25    | 2705 | 58.65 | 1.49 | 28    | 2445 | 53.03 | 1.65 | 32    | 2072 | 44.94 | 1.95 | 37    | 1810 | 39.26 | 2.2  | 44    | 1514 | 32.83 | 2.7  | 33    | 2023 | 43.87 | 2.0  | 40    | 1704 | 36.96 | 2.4  | 43    | 1580 | 34.26 | 2.6  | 48    | 1416 | 30.70 | 2.9  |       |      |       |      |       |     |    |      |       |     |    |      |       |     |    |      |       |     |    |      |       |     |    |      |       |     |  |  |  |  |  |  |  |  |
| 43            | 1153       | 33.64    | 1.22                   |             |         | 48            | 1022       | 29.82    | 1.38                   |             |         | 57    | 873   | 25.47 | 1.61  | 56     | 874  | 25.50        | 1.61  | 67     | 735  |              |      | 21.43 | 1.92  | 73           | 675  |        |       |              |       |        |       | 19.70    | 2.1   |        |       |              |       |        |       |          |       |              |       |          |       |        |       |              |       |       |       |          |       |        |       |              |       |          |       |        |       | 82     | 600   | 17.49        | 2.4   | 92     | 536   | 15.64  | 2.6   | 102    | 482  | 14.06    | 2.9   | 118    | 418   | 12.20  | 3.4   | 118    | 418  | 12.20    | 3.4  |       |       |        |       |        |       |       |       |        |      |       |       | 65     | 756   | 22.05  | 1.02  | F 67         | 4    | 5.7   | 11816 |              |      | 126.36 | 0.95  |              |       | F 127  | 8     |              |       |       |       | 69       | 717   | 20.9   | 1.08  | 79           | 627   | 18.29  | 1.23 | 87       | 565   | 16.48  | 1.36 | 100          | 496   |        |       |        |       |              |       |          |       |              |       |        |       |        |       |          |       |              |       | 14.46  | 1.55  | 113      | 438   | 12.76  | 1.76  | 127      | 388   | 11.31  | 2.0   | 149          | 331   | 9.66         | 2.3   | 150      | 329  | 9.61     | 1.5   | 158          | 312   | 9.11         | 1.7  | 181    | 273   | 7.97  | 2.1   | 201      | 246   | 7.18     | 2.4   | 229    | 216   | 6.30   | 2.7   | 259    | 191   | 5.56     | 2.9   | 292      | 169   | 4.93   | 3.1   | 342    | 144   | 4.21  | 3.3   |        |       |        |       |       |       |       |       |        |       |        |       | 86    | 576   | 16.81  | 0.98  |        |       |              |       | F 57   | 4     |              |       | 6.2    | 10776 |        |       | 115.24       | 1.05  | F 127  | 6     | 91     | 544   | 15.88        | 1.04  | 107    | 464  |          |       | 13.52        | 1.22  |        |      | 117      | 421   | 12.29  | 1.34  |        |       |          |       |              |       | 135    | 365   | 10.64    | 1.55  | 176    | 281   | 8.19         | 1.41  | 186    | 265   | 7.73   | 1.49  | 219    | 226   | 6.58     | 1.75  | 241          | 205   | 5.98   | 1.93  | 278    | 178   | 5.18     | 2.2   |              |       |        |      |       |       |              |       |              |      |              |      | <b>7.5kW</b> |       |              |      |          |      |       |       |              |       |          |       |              |       | 4.6      | 13812 |          |       |              |      | 312    | 0.82  | F 127R87     | 4     |              |       | 8.2    | 8238  | 178.64 | 0.88  | F 107    | 4     | 4.9      | 12971 | 293      | 0.87  | 5.5   | 11598 | 262    | 0.97  |       |       | 6.4    | 10005 | 226   | 1.13 |        |       | 7.2      | 8854  | 200   | 1.27  |          |       |        |       |        |       |        |       |          |       |        |       |        |       |        |      |        |       |        |       | 3.3   | 20350 | 217.62 | 0.83  |        |       | F 157  | 8     |        |       | 9.1    | 7437  | 161.28 | 1.97 |       |       | F 97   | 4     | 4.0    | 16664 |        |       |       |       | 178.20 | 1.02  | 4.4    | 15238 |        |      | 162.96 | 1.11  | 5.1    | 13260 |       |       | 141.80 | 1.28  | 5.8    | 11702 |        |      | 125.14 | 1.45  | 6.6    | 10145 |       |       |        |      | 108.49 | 1.67  |        |      | 7.5    | 9027  |        |      | 96.53 | 1.87  | 15     | 4487 | 97.31 | 0.90  | 16     | 4186 | 90.77 | 0.97  | 17     | 4015 | 87.06 | 1.01  | 18     | 3741 | 81.13 | 1.08  | 19     | 3523 | 76.40 | 1.15 | 21    | 3229 | 70.03 | 1.25 | 22    | 3050 | 66.14 | 1.33 | 25    | 2705 | 58.65 | 1.49 | 28    | 2445 | 53.03 | 1.65 | 32    | 2072 | 44.94 | 1.95 | 37    | 1810 | 39.26 | 2.2  | 44    | 1514 | 32.83 | 2.7  | 33    | 2023 | 43.87 | 2.0  | 40    | 1704 | 36.96 | 2.4  | 43    | 1580 | 34.26 | 2.6  | 48    | 1416 | 30.70 | 2.9  |       |     |    |      |       |     |    |      |       |     |    |      |       |     |    |      |       |     |    |      |       |     |  |  |  |  |  |  |  |  |
| 48            | 1022       | 29.82    | 1.38                   |             |         | 57            | 873        | 25.47    | 1.61                   |             |         | 56    | 874   | 25.50 | 1.61  | 67     | 735  | 21.43        | 1.92  | 73     | 675  |              |      | 19.70 | 2.1   | 82           | 600  |        |       |              |       |        |       | 17.49    | 2.4   |        |       |              |       |        |       |          |       |              |       |          |       |        |       |              |       |       |       |          |       | 92     | 536   |              |       |          |       | 15.64  | 2.6   | 102    | 482   | 14.06        | 2.9   | 118    | 418   | 12.20  | 3.4   | 118    | 418  | 12.20    | 3.4   |        |       |        |       |        |      |          |      |       |       |        |       | 65     | 756   | 22.05 | 1.02  | F 67   | 4    | 5.7   | 11816 | 126.36 | 0.95  | F 127  | 8     |              |      | 69    | 717   |              |      | 20.9   | 1.08  |              |       |        |       |              |       | 79    | 627   | 18.29    | 1.23  | 87     | 565   | 16.48        | 1.36  | 100    | 496  | 14.46    | 1.55  | 113    | 438  | 12.76        | 1.76  |        |       |        |       |              |       |          |       |              |       |        |       |        |       |          |       |              |       | 127    | 388   | 11.31    | 2.0   | 149    | 331   | 9.66     | 2.3   | 150    | 329   | 9.61         | 1.5   | 158          | 312   | 9.11     | 1.7  | 181      | 273   | 7.97         | 2.1   | 201          | 246  | 7.18   | 2.4   | 229   | 216   | 6.30     | 2.7   | 259      | 191   | 5.56   | 2.9   | 292    | 169   | 4.93   | 3.1   | 342      | 144   | 4.21     | 3.3   |        |       |        |       |       |       |        |       |        |       |       |       | 86    | 576   | 16.81  | 0.98  | F 57   | 4     | 6.2   | 10776 | 115.24 | 1.05  |        |       |              |       |        |       | F 127        | 6     | 91     | 544   |        |       | 15.88        | 1.04  |        |       | 107    | 464   | 13.52        | 1.22  | 117    | 421  | 12.29    | 1.34  | 135          | 365   |        |      | 10.64    | 1.55  | 176    | 281   |        |       |          |       |              |       | 8.19   | 1.41  | 186      | 265   | 7.73   | 1.49  | 219          | 226   | 6.58   | 1.75  | 241    | 205   | 5.98   | 1.93  | 278      | 178   | 5.18         | 2.2   |        |       |        |       |          |       |              |       |        |      |       |       | <b>7.5kW</b> |       |              |      |              |      |              |       |              |      |          |      | 4.6   | 13812 | 312          | 0.82  | F 127R87 | 4     |              |       | 8.2      | 8238  |          |       |              |      | 178.64 | 0.88  |              |       |              |       | F 107  | 4     | 4.9    | 12971 |          |       | 293      | 0.87  | 5.5      | 11598 | 262   | 0.97  | 6.4    | 10005 | 226   | 1.13  | 7.2    | 8854  | 200   | 1.27 |        |       |          |       |       |       |          |       |        |       |        |       |        |       | 3.3      | 20350 |        |       | 217.62 | 0.83  |        |      |        |       |        |       | F 157 | 8     | 9.1    | 7437  |        |       |        |       |        |       | 161.28 | 1.97  | F 97   | 4    | 4.0   | 16664 |        |       | 178.20 | 1.02  | 4.4    | 15238 |       |       | 162.96 | 1.11  | 5.1    | 13260 |        |      | 141.80 | 1.28  | 5.8    | 11702 |       |       | 125.14 | 1.45  | 6.6    | 10145 |        |      | 108.49 | 1.67  | 7.5    | 9027  |       |       |        |      | 96.53  | 1.87  |        |      | 15     | 4487  |        |      | 97.31 | 0.90  | 16     | 4186 | 90.77 | 0.97  | 17     | 4015 | 87.06 | 1.01  | 18     | 3741 | 81.13 | 1.08  | 19     | 3523 | 76.40 | 1.15  | 21     | 3229 | 70.03 | 1.25 | 22    | 3050 | 66.14 | 1.33 | 25    | 2705 | 58.65 | 1.49 | 28    | 2445 | 53.03 | 1.65 | 32    | 2072 | 44.94 | 1.95 | 37    | 1810 | 39.26 | 2.2  | 44    | 1514 | 32.83 | 2.7  | 33    | 2023 | 43.87 | 2.0  | 40    | 1704 | 36.96 | 2.4  | 43    | 1580 | 34.26 | 2.6  | 48    | 1416 | 30.70 | 2.9  |       |      |       |      |       |     |    |      |       |     |    |      |       |     |    |      |       |     |    |      |       |     |    |      |       |     |  |  |  |  |  |  |  |  |
| 57            | 873        | 25.47    | 1.61                   |             |         | 56            | 874        | 25.50    | 1.61                   |             |         | 67    | 735   | 21.43 | 1.92  | 73     | 675  | 19.70        | 2.1   | 82     | 600  |              |      | 17.49 | 2.4   | 92           | 536  |        |       |              |       |        |       | 15.64    | 2.6   |        |       |              |       |        |       |          |       |              |       |          |       |        |       |              |       | 102   | 482   |          |       | 14.06  | 2.9   |              |       | 118      | 418   | 12.20  | 3.4   | 118    | 418   | 12.20        | 3.4   |        |       |        |       |        |      |          |       |        |       |        |       | 65     | 756  | 22.05    | 1.02 | F 67  | 4     | 5.7    | 11816 | 126.36 | 0.95  | F 127 | 8     |        |      | 69    | 717   | 20.9   | 1.08  |        |       |              |      | 79    | 627   |              |      | 18.29  | 1.23  |              |       |        |       | 87           | 565   | 16.48 | 1.36  | 100      | 496   | 14.46  | 1.55  | 113          | 438   | 12.76  | 1.76 | 127      | 388   | 11.31  | 2.0  | 149          | 331   |        |       |        |       |              |       |          |       |              |       |        |       |        |       |          |       |              |       | 9.66   | 2.3   | 150      | 329   | 9.61   | 1.5   | 158      | 312   | 9.11   | 1.7   | 181          | 273   | 7.97         | 2.1   | 201      | 246  | 7.18     | 2.4   | 229          | 216   | 6.30         | 2.7  | 259    | 191   | 5.56  | 2.9   | 292      | 169   | 4.93     | 3.1   | 342    | 144   | 4.21   | 3.3   |        |       |          |       |          |       |        |       |        |       |       |       | 86     | 576   | 16.81  | 0.98  | F 57  | 4     | 6.2   | 10776 | 115.24 | 1.05  |        |       | F 127 | 6     | 91     | 544   |        |       |              |       |        |       |              |       | 15.88  | 1.04  | 107    | 464   | 13.52        | 1.22  |        |       | 117    | 421   | 12.29        | 1.34  | 135    | 365  | 10.64    | 1.55  | 176          | 281   | 8.19   | 1.41 | 186      | 265   | 7.73   | 1.49  |        |       |          |       |              |       | 219    | 226   | 6.58     | 1.75  | 241    | 205   | 5.98         | 1.93  | 278    | 178   | 5.18   | 2.2   |        |       |          |       |              |       |        |       |        |       |          |       | <b>7.5kW</b> |       |        |      |       |       |              |       |              |      |              |      | 4.6          | 13812 | 312          | 0.82 | F 127R87 | 4    | 8.2   | 8238  | 178.64       | 0.88  |          |       |              |       | F 107    | 4     |          |       |              |      | 4.9    | 12971 |              |       |              |       |        |       | 293    | 0.87  |          |       | 5.5      | 11598 | 262      | 0.97  | 6.4   | 10005 | 226    | 1.13  | 7.2   | 8854  | 200    | 1.27  |       |      |        |       |          |       |       |       |          |       |        |       | 3.3    | 20350 |        |       | 217.62   | 0.83  |        |       | F 157  | 8     |        |      |        |       |        |       |       |       | 9.1    | 7437  |        |       |        |       |        |       | 161.28 | 1.97  |        |      | F 97  | 4     |        |       | 4.0    | 16664 | 178.20 | 1.02  | 4.4   | 15238 | 162.96 | 1.11  | 5.1    | 13260 | 141.80 | 1.28 | 5.8    | 11702 | 125.14 | 1.45  |       |       | 6.6    | 10145 | 108.49 | 1.67  |        |      | 7.5    | 9027  | 96.53  | 1.87  |       |       |        |      | 15     | 4487  |        |      | 97.31  | 0.90  |        |      | 16    | 4186  | 90.77  | 0.97 | 17    | 4015  | 87.06  | 1.01 | 18    | 3741  | 81.13  | 1.08 | 19    | 3523  | 76.40  | 1.15 | 21    | 3229  | 70.03  | 1.25 | 22    | 3050 | 66.14 | 1.33 | 25    | 2705 | 58.65 | 1.49 | 28    | 2445 | 53.03 | 1.65 | 32    | 2072 | 44.94 | 1.95 | 37    | 1810 | 39.26 | 2.2  | 44    | 1514 | 32.83 | 2.7  | 33    | 2023 | 43.87 | 2.0  | 40    | 1704 | 36.96 | 2.4  | 43    | 1580 | 34.26 | 2.6  | 48    | 1416 | 30.70 | 2.9  |       |      |       |      |       |      |       |     |    |      |       |     |    |      |       |     |    |      |       |     |    |      |       |     |    |      |       |     |  |  |  |  |  |  |  |  |
| 56            | 874        | 25.50    | 1.61                   |             |         | 67            | 735        | 21.43    | 1.92                   |             |         | 73    | 675   | 19.70 | 2.1   | 82     | 600  | 17.49        | 2.4   | 92     | 536  |              |      | 15.64 | 2.6   | 102          | 482  |        |       |              |       |        |       | 14.06    | 2.9   |        |       |              |       |        |       |          |       |              |       |          |       | 118    | 418   |              |       | 12.20 | 3.4   |          |       | 118    | 418   | 12.20        | 3.4   |          |       |        |       |        |       |              |       |        |       |        |       | 65     | 756  | 22.05    | 1.02  | F 67   | 4     | 5.7    | 11816 | 126.36 | 0.95 | F 127    | 8    |       |       | 69     | 717   | 20.9   | 1.08  |       |       |        |      | 79    | 627   | 18.29  | 1.23  |        |       |              |      | 87    | 565   |              |      | 16.48  | 1.36  |              |       | 100    | 496   | 14.46        | 1.55  | 113   | 438   | 12.76    | 1.76  | 127    | 388   | 11.31        | 2.0   | 149    | 331  | 9.66     | 2.3   | 150    | 329  | 9.61         | 1.5   |        |       | 158    | 312   |              |       |          |       |              |       |        |       |        |       |          |       |              |       | 9.11   | 1.7   | 181      | 273   | 7.97   | 2.1   | 201      | 246   | 7.18   | 2.4   | 229          | 216   | 6.30         | 2.7   | 259      | 191  | 5.56     | 2.9   | 292          | 169   | 4.93         | 3.1  | 342    | 144   | 4.21  | 3.3   |          |       |          |       |        |       |        |       |        |       |          |       | 86       | 576   | 16.81  | 0.98  | F 57   | 4     | 6.2   | 10776 | 115.24 | 1.05  | F 127  | 6     |       |       | 91    | 544   | 15.88  | 1.04  |        |       |       |       | 107    | 464   |        |       |              |       |        |       |              |       | 13.52  | 1.22  | 117    | 421   | 12.29        | 1.34  | 135    | 365   | 10.64  | 1.55  | 176          | 281   | 8.19   | 1.41 | 186      | 265   | 7.73         | 1.49  | 219    | 226  | 6.58     | 1.75  | 241    | 205   | 5.98   | 1.93  |          |       |              |       | 278    | 178   | 5.18     | 2.2   |        |       |              |       |        |       |        |       |        |       |          |       | <b>7.5kW</b> |       |        |       |        |       |          |       |              |       |        |      | 4.6   | 13812 | 312          | 0.82  | F 127R87     | 4    | 8.2          | 8238 | 178.64       | 0.88  | F 107        | 4    |          |      | 4.9   | 12971 | 293          | 0.87  |          |       | 5.5          | 11598 |          |       |          |       |              |      | 262    | 0.97  |              |       |              |       |        |       | 6.4    | 10005 |          |       | 226      | 1.13  | 7.2      | 8854  | 200   | 1.27  |        |       |       |       |        |       |       |      |        |       |          |       | 3.3   | 20350 | 217.62   | 0.83  | F 157  | 8     | 9.1    | 7437  | 161.28 | 1.97  | F 97     | 4     |        |       |        |       |        |      |        |       |        |       |       |       | 4.0    | 16664 |        |       |        |       |        |       | 178.20 | 1.02  |        |      |       |       |        |       | 4.4    | 15238 | 162.96 | 1.11  | 5.1   | 13260 | 141.80 | 1.28  | 5.8    | 11702 | 125.14 | 1.45 | 6.6    | 10145 | 108.49 | 1.67  | 7.5   | 9027  | 96.53  | 1.87  | 15     | 4487  | 97.31  | 0.90 | 16     | 4186  | 90.77  | 0.97  |       |       |        |      | 17     | 4015  |        |      | 87.06  | 1.01  |        |      | 18    | 3741  | 81.13  | 1.08 | 19    | 3523  | 76.40  | 1.15 | 21    | 3229  | 70.03  | 1.25 | 22    | 3050  | 66.14  | 1.33 | 25    | 2705  | 58.65  | 1.49 | 28    | 2445 | 53.03 | 1.65 | 32    | 2072 | 44.94 | 1.95 | 37    | 1810 | 39.26 | 2.2  | 44    | 1514 | 32.83 | 2.7  | 33    | 2023 | 43.87 | 2.0  | 40    | 1704 | 36.96 | 2.4  | 43    | 1580 | 34.26 | 2.6  | 48    | 1416 | 30.70 | 2.9  |       |      |       |      |       |      |       |      |       |      |       |      |       |      |       |     |    |      |       |     |    |      |       |     |    |      |       |     |    |      |       |     |    |      |       |     |  |  |  |  |  |  |  |  |
| 67            | 735        | 21.43    | 1.92                   |             |         | 73            | 675        | 19.70    | 2.1                    |             |         | 82    | 600   | 17.49 | 2.4   | 92     | 536  | 15.64        | 2.6   | 102    | 482  |              |      | 14.06 | 2.9   | 118          | 418  |        |       |              |       |        |       | 12.20    | 3.4   |        |       |              |       |        |       |          |       | 118          | 418   |          |       | 12.20  | 3.4   |              |       |       |       |          |       |        |       |              |       |          |       |        |       | 65     | 756   | 22.05        | 1.02  | F 67   | 4     | 5.7    | 11816 | 126.36 | 0.95 | F 127    | 8     |        |       | 69     | 717   | 20.9   | 1.08 |          |      |       |       | 79     | 627   | 18.29  | 1.23  |       |       |        |      | 87    | 565   | 16.48  | 1.36  | 100    | 496   |              |      | 14.46 | 1.55  |              |      | 113    | 438   |              |       | 12.76  | 1.76  | 127          | 388   | 11.31 | 2.0   | 149      | 331   | 9.66   | 2.3   | 150          | 329   | 9.61   | 1.5  | 158      | 312   | 9.11   | 1.7  | 181          | 273   |        |       | 7.97   | 2.1   | 201          | 246   |          |       |              |       |        |       |        |       |          |       |              |       | 7.18   | 2.4   | 229      | 216   | 6.30   | 2.7   | 259      | 191   | 5.56   | 2.9   | 292          | 169   | 4.93         | 3.1   | 342      | 144  | 4.21     | 3.3   |              |       |              |      |        |       |       |       |          |       |          |       | 86     | 576   | 16.81  | 0.98  | F 57   | 4     | 6.2      | 10776 | 115.24   | 1.05  | F 127  | 6     |        |       | 91    | 544   | 15.88  | 1.04  |        |       |       |       | 107   | 464   | 13.52  | 1.22  |        |       |       |       | 117    | 421   |        |       |              |       |        |       | 12.29        | 1.34  | 135    | 365   | 10.64  | 1.55  | 176          | 281   | 8.19   | 1.41  | 186    | 265   | 7.73         | 1.49  | 219    | 226  | 6.58     | 1.75  | 241          | 205   | 5.98   | 1.93 | 278      | 178   | 5.18   | 2.2   |        |       |          |       |              |       |        |       |          |       |        |       | <b>7.5kW</b> |       |        |       |        |       |        |       |          |       |              |       | 4.6    | 13812 | 312    | 0.82  | F 127R87 | 4     | 8.2          | 8238  | 178.64 | 0.88 | F 107 | 4     | 4.9          | 12971 |              |      | 293          | 0.87 | 5.5          | 11598 |              |      |          |      | 262   | 0.97  | 6.4          | 10005 |          |       | 226          | 1.13  |          |       | 7.2      | 8854  |              |      | 200    | 1.27  |              |       |              |       |        |       |        |       |          |       |          |       |          |       |       |       |        |       | 3.3   | 20350 | 217.62 | 0.83  | F 157 | 8    | 9.1    | 7437  | 161.28   | 1.97  | F 97  | 4     | 4.0      | 16664 |        |       | 178.20 | 1.02  | 4.4    | 15238 |          |       |        |       |        |       |        |      |        |       | 162.96 | 1.11  |       |       | 5.1    | 13260 |        |       |        |       |        |       | 141.80 | 1.28  |        |      |       |       |        |       | 5.8    | 11702 | 125.14 | 1.45  | 6.6   | 10145 | 108.49 | 1.67  | 7.5    | 9027  | 96.53  | 1.87 | 15     | 4487  | 97.31  | 0.90  | 16    | 4186  | 90.77  | 0.97  | 17     | 4015  | 87.06  | 1.01 | 18     | 3741  | 81.13  | 1.08  | 19    | 3523  |        |      | 76.40  | 1.15  | 21     | 3229 | 70.03  | 1.25  |        |      | 22    | 3050  | 66.14  | 1.33 | 25    | 2705  | 58.65  | 1.49 | 28    | 2445  | 53.03  | 1.65 | 32    | 2072  | 44.94  | 1.95 | 37    | 1810  | 39.26  | 2.2  | 44    | 1514 | 32.83 | 2.7  | 33    | 2023 | 43.87 | 2.0  | 40    | 1704 | 36.96 | 2.4  | 43    | 1580 | 34.26 | 2.6  | 48    | 1416 | 30.70 | 2.9  |       |      |       |      |       |      |       |      |       |      |       |      |       |      |       |      |       |      |       |      |       |      |       |      |       |      |       |     |    |      |       |     |    |      |       |     |    |      |       |     |    |      |       |     |    |      |       |     |  |  |  |  |  |  |  |  |
| 73            | 675        | 19.70    | 2.1                    |             |         | 82            | 600        | 17.49    | 2.4                    |             |         | 92    | 536   | 15.64 | 2.6   | 102    | 482  | 14.06        | 2.9   | 118    | 418  |              |      | 12.20 | 3.4   | 118          | 418  |        |       |              |       |        |       | 12.20    | 3.4   |        |       |              |       |        |       |          |       |              |       |          |       |        |       |              |       |       |       | 65       | 756   | 22.05  | 1.02  | F 67         | 4     | 5.7      | 11816 | 126.36 | 0.95  | F 127  | 8     | 69           | 717   |        |       | 20.9   | 1.08  | 79     | 627  |          |       |        |       | 18.29  | 1.23  | 87     | 565  |          |      |       |       | 16.48  | 1.36  | 100    | 496   | 14.46 | 1.55  |        |      | 113   | 438   | 12.76  | 1.76  | 127    | 388   |              |      | 11.31 | 2.0   |              |      | 149    | 331   |              |       | 9.66   | 2.3   | 150          | 329   | 9.61  | 1.5   | 158      | 312   | 9.11   | 1.7   | 181          | 273   | 7.97   | 2.1  | 201      | 246   | 7.18   | 2.4  | 229          | 216   |        |       | 6.30   | 2.7   | 259          | 191   | 5.56     | 2.9   |              |       |        |       |        |       |          |       |              |       | 292    | 169   | 4.93     | 3.1   | 342    | 144   | 4.21     | 3.3   |        |       |              |       |              |       |          |      |          |       |              |       | 86           | 576  | 16.81  | 0.98  | F 57  | 4     | 6.2      | 10776 | 115.24   | 1.05  | F 127  | 6     | 91     | 544   |        |       | 15.88    | 1.04  | 107      | 464   |        |       |        |       | 13.52 | 1.22  | 117    | 421   |        |       |       |       | 12.29 | 1.34  | 135    | 365   |        |       | 10.64 | 1.55  | 176    | 281   |        |       |              |       |        |       | 8.19         | 1.41  | 186    | 265   | 7.73   | 1.49  | 219          | 226   | 6.58   | 1.75  | 241    | 205   | 5.98         | 1.93  | 278    | 178  | 5.18     | 2.2   |              |       |        |      |          |       |        |       |        |       |          |       | <b>7.5kW</b> |       |        |       |          |       |        |       |              |       |        |       | 4.6    | 13812 | 312    | 0.82  | F 127R87 | 4     | 8.2          | 8238  | 178.64 | 0.88  | F 107  | 4     |          |       | 4.9          | 12971 | 293    | 0.87 |       |       | 5.5          | 11598 |              |      | 262          | 0.97 | 6.4          | 10005 |              |      |          |      | 226   | 1.13  | 7.2          | 8854  |          |       | 200          | 1.27  |          |       |          |       |              |      |        |       |              |       |              |       |        |       | 3.3    | 20350 |          |       | 217.62   | 0.83  | F 157    | 8     | 9.1   | 7437  | 161.28 | 1.97  | F 97  | 4     | 4.0    | 16664 |       |      | 178.20 | 1.02  | 4.4      | 15238 |       |       | 162.96   | 1.11  |        |       | 5.1    | 13260 | 141.80 | 1.28  |          |       |        |       |        |       |        |      | 5.8    | 11702 | 125.14 | 1.45  |       |       | 6.6    | 10145 |        |       |        |       |        |       | 108.49 | 1.67  |        |      |       |       |        |       | 7.5    | 9027  | 96.53  | 1.87  | 15    | 4487  | 97.31  | 0.90  | 16     | 4186  | 90.77  | 0.97 | 17     | 4015  | 87.06  | 1.01  | 18    | 3741  | 81.13  | 1.08  | 19     | 3523  | 76.40  | 1.15 | 21     | 3229  | 70.03  | 1.25  | 22    | 3050  | 66.14  | 1.33 | 25     | 2705  | 58.65  | 1.49 | 28     | 2445  | 53.03  | 1.65 | 32    | 2072  | 44.94  | 1.95 | 37    | 1810  | 39.26  | 2.2  | 44    | 1514  | 32.83  | 2.7  | 33    | 2023  | 43.87  | 2.0  | 40    | 1704  | 36.96  | 2.4  | 43    | 1580 | 34.26 | 2.6  | 48    | 1416 | 30.70 | 2.9  |       |      |       |      |       |      |       |      |       |      |       |      |       |      |       |      |       |      |       |      |       |      |       |      |       |      |       |      |       |      |       |      |       |      |       |      |       |      |       |     |    |      |       |     |    |      |       |     |    |      |       |     |    |      |       |     |    |      |       |     |  |  |  |  |  |  |  |  |
| 82            | 600        | 17.49    | 2.4                    |             |         | 92            | 536        | 15.64    | 2.6                    |             |         | 102   | 482   | 14.06 | 2.9   | 118    | 418  | 12.20        | 3.4   | 118    | 418  |              |      | 12.20 | 3.4   |              |      |        |       |              |       |        |       |          |       |        |       |              |       | 65     | 756   |          |       | 22.05        | 1.02  | F 67     | 4     | 5.7    | 11816 | 126.36       | 0.95  | F 127 | 8     | 69       | 717   | 20.9   | 1.08  |              |       | 79       | 627   | 18.29  | 1.23  |        |       | 87           | 565   |        |       | 16.48  | 1.36  | 100    | 496  |          |       |        |       | 14.46  | 1.55  | 113    | 438  | 12.76    | 1.76 |       |       | 127    | 388   | 11.31  | 2.0   | 149   | 331   |        |      | 9.66  | 2.3   | 150    | 329   | 9.61   | 1.5   |              |      | 158   | 312   |              |      | 9.11   | 1.7   |              |       | 181    | 273   | 7.97         | 2.1   | 201   | 246   | 7.18     | 2.4   | 229    | 216   | 6.30         | 2.7   | 259    | 191  | 5.56     | 2.9   | 292    | 169  | 4.93         | 3.1   |        |       | 342    | 144   | 4.21         | 3.3   |          |       |              |       |        |       |        |       |          |       |              |       |        |       |          |       |        |       | 86       | 576   | 16.81  | 0.98  | F 57         | 4     | 6.2          | 10776 | 115.24   | 1.05 | F 127    | 6     | 91           | 544   | 15.88        | 1.04 | 107    | 464   |       |       | 13.52    | 1.22  | 117      | 421   |        |       | 12.29  | 1.34  |        |       | 135      | 365   | 10.64    | 1.55  |        |       |        |       | 176   | 281   | 8.19   | 1.41  | 186    | 265   |       |       | 7.73  | 1.49  | 219    | 226   |        |       | 6.58  | 1.75  | 241    | 205   |        |       |              |       |        |       | 5.98         | 1.93  | 278    | 178   | 5.18   | 2.2   |              |       |        |       |        |       |              |       |        |      |          |       | <b>7.5kW</b> |       |        |      |          |       |        |       |        |       |          |       | 4.6          | 13812 | 312    | 0.82  | F 127R87 | 4     | 8.2    | 8238  | 178.64       | 0.88  | F 107  | 4     | 4.9    | 12971 | 293    | 0.87  |          |       | 5.5          | 11598 | 262    | 0.97  |        |       |          |       | 6.4          | 10005 | 226    | 1.13 |       |       | 7.2          | 8854  |              |      | 200          | 1.27 |              |       |              |      |          |      |       |       |              |       |          |       | 3.3          | 20350 |          |       | 217.62   | 0.83  |              |      | F 157  | 8     | 9.1          | 7437  |              |       |        |       | 161.28 | 1.97  |          |       | F 97     | 4     |          |       | 4.0   | 16664 | 178.20 | 1.02  |       |       | 4.4    | 15238 |       |      | 162.96 | 1.11  | 5.1      | 13260 |       |       | 141.80   | 1.28  |        |       | 5.8    | 11702 | 125.14 | 1.45  |          |       |        |       |        |       |        |      | 6.6    | 10145 | 108.49 | 1.67  |       |       | 7.5    | 9027  |        |       |        |       |        |       | 96.53  | 1.87  |        |      |       |       |        |       | 15     | 4487  | 97.31  | 0.90  | 16    | 4186  | 90.77  | 0.97  | 17     | 4015  | 87.06  | 1.01 | 18     | 3741  | 81.13  | 1.08  | 19    | 3523  | 76.40  | 1.15  | 21     | 3229  | 70.03  | 1.25 | 22     | 3050  | 66.14  | 1.33  | 25    | 2705  | 58.65  | 1.49 | 28     | 2445  | 53.03  | 1.65 | 32     | 2072  | 44.94  | 1.95 | 37    | 1810  | 39.26  | 2.2  | 44    | 1514  | 32.83  | 2.7  | 33    | 2023  | 43.87  | 2.0  | 40    | 1704  | 36.96  | 2.4  | 43    | 1580  | 34.26  | 2.6  | 48    | 1416 | 30.70 | 2.9  |       |      |       |      |       |      |       |      |       |      |       |      |       |      |       |      |       |      |       |      |       |      |       |      |       |      |       |      |       |      |       |      |       |      |       |      |       |      |       |      |       |      |       |     |    |      |       |     |    |      |       |     |    |      |       |     |    |      |       |     |    |      |       |     |  |  |  |  |  |  |  |  |
| 92            | 536        | 15.64    | 2.6                    |             |         | 102           | 482        | 14.06    | 2.9                    |             |         | 118   | 418   | 12.20 | 3.4   | 118    | 418  | 12.20        | 3.4   |        |      |              |      |       |       |              |      |        |       |              |       | 65     | 756   | 22.05    | 1.02  | F 67   | 4     |              |       | 5.7    | 11816 | 126.36   | 0.95  | F 127        | 8     |          |       | 69     | 717   | 20.9         | 1.08  |       |       | 79       | 627   | 18.29  | 1.23  |              |       | 87       | 565   | 16.48  | 1.36  |        |       | 100          | 496   |        |       | 14.46  | 1.55  | 113    | 438  | 12.76    | 1.76  |        |       | 127    | 388   | 11.31  | 2.0  | 149      | 331  |       |       | 9.66   | 2.3   | 150    | 329   | 9.61  | 1.5   |        |      | 158   | 312   | 9.11   | 1.7   | 181    | 273   |              |      | 7.97  | 2.1   |              |      | 201    | 246   |              |       | 7.18   | 2.4   | 229          | 216   | 6.30  | 2.7   | 259      | 191   | 5.56   | 2.9   | 292          | 169   | 4.93   | 3.1  | 342      | 144   | 4.21   | 3.3  |              |       |        |       |        |       |              |       |          |       |              |       | 86     | 576   |        |       |          |       |              |       | 16.81  | 0.98  | F 57     | 4     | 6.2    | 10776 | 115.24   | 1.05  | F 127  | 6     |              |       | 91           | 544   | 15.88    | 1.04 |          |       | 107          | 464   | 13.52        | 1.22 | 117    | 421   |       |       | 12.29    | 1.34  | 135      | 365   |        |       | 10.64  | 1.55  |        |       | 176      | 281   | 8.19     | 1.41  | 186    | 265   |        |       | 7.73  | 1.49  | 219    | 226   | 6.58   | 1.75  |       |       | 241   | 205   | 5.98   | 1.93  |        |       | 278   | 178   | 5.18   | 2.2   |        |       |              |       |        |       |              |       |        |       |        |       |              |       |        |       |        |       | <b>7.5kW</b> |       |        |      |          |       |              |       |        |      |          |       | 4.6    | 13812 | 312    | 0.82  | F 127R87 | 4     | 8.2          | 8238  | 178.64 | 0.88  |          |       | F 107  | 4     | 4.9          | 12971 |        |       | 293    | 0.87  | 5.5    | 11598 |          |       | 262          | 0.97  | 6.4    | 10005 |        |       |          |       | 226          | 1.13  | 7.2    | 8854 |       |       | 200          | 1.27  |              |      |              |      |              |       |              |      |          |      |       |       |              |       | 3.3      | 20350 | 217.62       | 0.83  |          |       | F 157    | 8     |              |      |        |       | 9.1          | 7437  |              |       |        |       | 161.28 | 1.97  |          |       |          |       |          |       | F 97  | 4     | 4.0    | 16664 |       |       | 178.20 | 1.02  |       |      | 4.4    | 15238 | 162.96   | 1.11  |       |       | 5.1      | 13260 |        |       | 141.80 | 1.28  | 5.8    | 11702 |          |       |        |       |        |       |        |      | 125.14 | 1.45  | 6.6    | 10145 |       |       | 108.49 | 1.67  |        |       |        |       |        |       | 7.5    | 9027  |        |      |       |       |        |       | 96.53  | 1.87  | 15     | 4487  | 97.31 | 0.90  | 16     | 4186  | 90.77  | 0.97  | 17     | 4015 | 87.06  | 1.01  | 18     | 3741  | 81.13 | 1.08  | 19     | 3523  | 76.40  | 1.15  | 21     | 3229 | 70.03  | 1.25  | 22     | 3050  | 66.14 | 1.33  | 25     | 2705 | 58.65  | 1.49  | 28     | 2445 | 53.03  | 1.65  | 32     | 2072 | 44.94 | 1.95  | 37     | 1810 | 39.26 | 2.2   | 44     | 1514 | 32.83 | 2.7   | 33     | 2023 | 43.87 | 2.0   | 40     | 1704 | 36.96 | 2.4   | 43     | 1580 | 34.26 | 2.6  | 48    | 1416 | 30.70 | 2.9  |       |      |       |      |       |      |       |      |       |      |       |      |       |      |       |      |       |      |       |      |       |      |       |      |       |      |       |      |       |      |       |      |       |      |       |      |       |      |       |      |       |     |    |      |       |     |    |      |       |     |    |      |       |     |    |      |       |     |    |      |       |     |  |  |  |  |  |  |  |  |
| 102           | 482        | 14.06    | 2.9                    |             |         | 118           | 418        | 12.20    | 3.4                    |             |         | 118   | 418   | 12.20 | 3.4   |        |      |              |       |        |      |              |      |       |       |              |      |        |       |              |       | 65     | 756   | 22.05    | 1.02  |        |       | F 67         | 4     | 5.7    | 11816 | 126.36   | 0.95  |              |       |          |       | F 127  | 8     | 69           | 717   |       |       | 20.9     | 1.08  | 79     | 627   |              |       | 18.29    | 1.23  | 87     | 565   | 16.48  | 1.36  | 100          | 496   |        |       | 14.46  | 1.55  | 113    | 438  | 12.76    | 1.76  |        |       | 127    | 388   | 11.31  | 2.0  | 149      | 331  |       |       | 9.66   | 2.3   | 150    | 329   | 9.61  | 1.5   |        |      | 158   | 312   | 9.11   | 1.7   | 181    | 273   |              |      | 7.97  | 2.1   |              |      | 201    | 246   |              |       | 7.18   | 2.4   | 229          | 216   | 6.30  | 2.7   | 259      | 191   | 5.56   | 2.9   | 292          | 169   | 4.93   | 3.1  | 342      | 144   | 4.21   | 3.3  |              |       |        |       |        |       |              |       |          |       |              |       | 86     | 576   | 16.81  | 0.98  |          |       |              |       | F 57   | 4     |          |       | 6.2    | 10776 | 115.24   | 1.05  |        |       |              |       | F 127        | 6     | 91       | 544  |          |       | 15.88        | 1.04  | 107          | 464  | 13.52  | 1.22  |       |       | 117      | 421   | 12.29    | 1.34  | 135    | 365   | 10.64  | 1.55  |        |       | 176      | 281   | 8.19     | 1.41  | 186    | 265   |        |       | 7.73  | 1.49  | 219    | 226   | 6.58   | 1.75  |       |       | 241   | 205   | 5.98   | 1.93  |        |       | 278   | 178   | 5.18   | 2.2   |        |       |              |       |        |       |              |       |        |       |        |       | <b>7.5kW</b> |       |        |       |        |       |              |       |        |      |          |       | 4.6          | 13812 | 312    | 0.82 | F 127R87 | 4     | 8.2    | 8238  | 178.64 | 0.88  |          |       | F 107        | 4     | 4.9    | 12971 |          |       |        |       | 293          | 0.87  |        |       | 5.5    | 11598 | 262    | 0.97  |          |       | 6.4          | 10005 | 226    | 1.13  |        |       |          |       | 7.2          | 8854  | 200    | 1.27 |       |       |              |       |              |      |              |      |              |       |              |      |          |      | 3.3   | 20350 | 217.62       | 0.83  | F 157    | 8     | 9.1          | 7437  |          |       |          |       | 161.28       | 1.97 |        |       | F 97         | 4     |              |       |        |       | 4.0    | 16664 |          |       |          |       |          |       |       |       | 178.20 | 1.02  |       |       | 4.4    | 15238 |       |      | 162.96 | 1.11  | 5.1      | 13260 |       |       | 141.80   | 1.28  |        |       | 5.8    | 11702 | 125.14 | 1.45  |          |       | 6.6    | 10145 |        |       |        |      | 108.49 | 1.67  | 7.5    | 9027  |       |       | 96.53  | 1.87  | 15     | 4487  |        |       |        |       | 97.31  | 0.90  |        |      |       |       |        |       | 16     | 4186  | 90.77  | 0.97  | 17    | 4015  | 87.06  | 1.01  | 18     | 3741  | 81.13  | 1.08 | 19     | 3523  | 76.40  | 1.15  | 21    | 3229  | 70.03  | 1.25  | 22     | 3050  | 66.14  | 1.33 | 25     | 2705  | 58.65  | 1.49  | 28    | 2445  | 53.03  | 1.65 | 32     | 2072  | 44.94  | 1.95 | 37     | 1810  | 39.26  | 2.2  | 44    | 1514  | 32.83  | 2.7  | 33    | 2023  | 43.87  | 2.0  | 40    | 1704  | 36.96  | 2.4  | 43    | 1580  | 34.26  | 2.6  | 48    | 1416  | 30.70  | 2.9  |       |      |       |      |       |      |       |      |       |      |       |      |       |      |       |      |       |      |       |      |       |      |       |      |       |      |       |      |       |      |       |      |       |      |       |      |       |      |       |      |       |      |       |      |       |      |       |     |    |      |       |     |    |      |       |     |    |      |       |     |    |      |       |     |    |      |       |     |  |  |  |  |  |  |  |  |
| 118           | 418        | 12.20    | 3.4                    |             |         | 118           | 418        | 12.20    | 3.4                    |             |         |       |       |       |       |        |      |              |       |        |      |              |      | 65    | 756   | 22.05        | 1.02 | F 67   | 4     | 5.7          | 11816 | 126.36 | 0.95  | F 127    | 8     |        |       |              |       | 69     | 717   | 20.9     | 1.08  |              |       |          |       |        |       | 79           | 627   | 18.29 | 1.23  | 87       | 565   | 16.48  | 1.36  |              |       | 100      | 496   | 14.46  | 1.55  | 113    | 438   | 12.76        | 1.76  |        |       | 127    | 388   | 11.31  | 2.0  | 149      | 331   |        |       | 9.66   | 2.3   | 150    | 329  | 9.61     | 1.5  |       |       | 158    | 312   | 9.11   | 1.7   | 181   | 273   |        |      | 7.97  | 2.1   | 201    | 246   | 7.18   | 2.4   |              |      | 229   | 216   |              |      | 6.30   | 2.7   |              |       | 259    | 191   | 5.56         | 2.9   | 292   | 169   | 4.93     | 3.1   | 342    | 144   | 4.21         | 3.3   |        |      |          |       |        |      |              |       |        |       |        |       | 86           | 576   | 16.81    | 0.98  | F 57         | 4     | 6.2    | 10776 | 115.24 | 1.05  | F 127    | 6     |              |       |        |       |          |       | 91     | 544   | 15.88    | 1.04  |        |       |              |       |              |       | 107      | 464  | 13.52    | 1.22  | 117          | 421   | 12.29        | 1.34 | 135    | 365   |       |       | 10.64    | 1.55  | 176      | 281   | 8.19   | 1.41  | 186    | 265   |        |       | 7.73     | 1.49  | 219      | 226   | 6.58   | 1.75  |        |       | 241   | 205   | 5.98   | 1.93  | 278    | 178   |       |       | 5.18  | 2.2   |        |       |        |       |       |       |        |       |        |       |              |       |        |       | <b>7.5kW</b> |       |        |       |        |       |              |       |        |       |        |       | 4.6          | 13812 | 312    | 0.82 | F 127R87 | 4     | 8.2          | 8238  | 178.64 | 0.88 |          |       | F 107  | 4     | 4.9    | 12971 |          |       |              |       | 293    | 0.87  |          |       |        |       | 5.5          | 11598 |        |       | 262    | 0.97  | 6.4    | 10005 |          |       | 226          | 1.13  | 7.2    | 8854  |        |       | 200      | 1.27  |              |       |        |      |       |       |              |       |              |      |              |      | 3.3          | 20350 |              |      | 217.62   | 0.83 | F 157 | 8     | 9.1          | 7437  |          |       | 161.28       | 1.97  |          |       |          |       | F 97         | 4    |        |       |              |       | 4.0          | 16664 |        |       | 178.20 | 1.02  |          |       |          |       |          |       |       |       | 4.4    | 15238 |       |       | 162.96 | 1.11  |       |      | 5.1    | 13260 | 141.80   | 1.28  |       |       | 5.8      | 11702 |        |       | 125.14 | 1.45  | 6.6    | 10145 |          |       | 108.49 | 1.67  |        |       | 7.5    | 9027 | 96.53  | 1.87  | 15     | 4487  |       |       | 97.31  | 0.90  | 16     | 4186  |        |       | 90.77  | 0.97  | 17     | 4015  |        |      |       |       |        |       | 87.06  | 1.01  | 18     | 3741  | 81.13 | 1.08  | 19     | 3523  | 76.40  | 1.15  | 21     | 3229 | 70.03  | 1.25  | 22     | 3050  | 66.14 | 1.33  | 25     | 2705  | 58.65  | 1.49  | 28     | 2445 | 53.03  | 1.65  | 32     | 2072  | 44.94 | 1.95  | 37     | 1810 | 39.26  | 2.2   | 44     | 1514 | 32.83  | 2.7   | 33     | 2023 | 43.87 | 2.0   | 40     | 1704 | 36.96 | 2.4   | 43     | 1580 | 34.26 | 2.6   | 48     | 1416 | 30.70 | 2.9   |        |      |       |       |        |      |       |      |       |      |       |      |       |      |       |      |       |      |       |      |       |      |       |      |       |      |       |      |       |      |       |      |       |      |       |      |       |      |       |      |       |      |       |      |       |      |       |      |       |      |       |      |       |     |    |      |       |     |    |      |       |     |    |      |       |     |    |      |       |     |    |      |       |     |  |  |  |  |  |  |  |  |
| 118           | 418        | 12.20    | 3.4                    |             |         |               |            |          |                        |             |         |       |       |       |       |        |      | 65           | 756   | 22.05  | 1.02 | F 67         | 4    | 5.7   | 11816 | 126.36       | 0.95 |        |       | F 127        | 8     | 69     | 717   |          |       |        |       |              |       | 20.9   | 1.08  | 79       | 627   | 18.29        | 1.23  |          |       |        |       | 87           | 565   | 16.48 | 1.36  | 100      | 496   | 14.46  | 1.55  |              |       | 113      | 438   | 12.76  | 1.76  | 127    | 388   | 11.31        | 2.0   |        |       | 149    | 331   | 9.66   | 2.3  | 150      | 329   |        |       | 9.61   | 1.5   | 158    | 312  | 9.11     | 1.7  |       |       | 181    | 273   | 7.97   | 2.1   | 201   | 246   |        |      | 7.18  | 2.4   | 229    | 216   | 6.30   | 2.7   |              |      | 259   | 191   |              |      | 5.56   | 2.9   |              |       | 292    | 169   | 4.93         | 3.1   | 342   | 144   | 4.21     | 3.3   |        |       |              |       |        |      |          |       |        |      |              |       |        |       | 86     | 576   | 16.81        | 0.98  | F 57     | 4     |              |       | 6.2    | 10776 | 115.24 | 1.05  |          |       | F 127        | 6     |        |       |          |       | 91     | 544   | 15.88    | 1.04  | 107    | 464   |              |       |              |       | 13.52    | 1.22 | 117      | 421   | 12.29        | 1.34  | 135          | 365  | 10.64  | 1.55  |       |       | 176      | 281   | 8.19     | 1.41  | 186    | 265   | 7.73   | 1.49  |        |       | 219      | 226   | 6.58     | 1.75  | 241    | 205   |        |       | 5.98  | 1.93  | 278    | 178   | 5.18   | 2.2   |       |       |       |       |        |       |        |       |       |       |        |       |        |       | <b>7.5kW</b> |       |        |       |              |       |        |       |        |       |              |       | 4.6    | 13812 | 312    | 0.82  | F 127R87     | 4     | 8.2    | 8238 |          |       | 178.64       | 0.88  | F 107  | 4    |          |       |        |       | 4.9    | 12971 |          |       |              |       | 293    | 0.87  |          |       |        |       | 5.5          | 11598 |        |       | 262    | 0.97  | 6.4    | 10005 | 226      | 1.13  | 7.2          | 8854  | 200    | 1.27  |        |       |          |       |              |       |        |      |       |       |              |       |              |      |              |      | 3.3          | 20350 |              |      | 217.62   | 0.83 |       |       | F 157        | 8     |          |       | 9.1          | 7437  |          |       |          |       |              |      |        |       |              |       | 161.28       | 1.97  |        |       | F 97   | 4     | 4.0      | 16664 |          |       |          |       |       |       | 178.20 | 1.02  |       |       | 4.4    | 15238 |       |      | 162.96 | 1.11  | 5.1      | 13260 |       |       | 141.80   | 1.28  |        |       | 5.8    | 11702 | 125.14 | 1.45  |          |       | 6.6    | 10145 |        |       | 108.49 | 1.67 | 7.5    | 9027  | 96.53  | 1.87  |       |       | 15     | 4487  | 97.31  | 0.90  | 16     | 4186  | 90.77  | 0.97  | 17     | 4015  |        |      |       |       | 87.06  | 1.01  | 18     | 3741  | 81.13  | 1.08  | 19    | 3523  | 76.40  | 1.15  | 21     | 3229  | 70.03  | 1.25 | 22     | 3050  | 66.14  | 1.33  | 25    | 2705  | 58.65  | 1.49  | 28     | 2445  | 53.03  | 1.65 | 32     | 2072  | 44.94  | 1.95  | 37    | 1810  | 39.26  | 2.2  | 44     | 1514  | 32.83  | 2.7  | 33     | 2023  | 43.87  | 2.0  | 40    | 1704  | 36.96  | 2.4  | 43    | 1580  | 34.26  | 2.6  | 48    | 1416  | 30.70  | 2.9  |       |       |        |      |       |       |        |      |       |      |       |      |       |      |       |      |       |      |       |      |       |      |       |      |       |      |       |      |       |      |       |      |       |      |       |      |       |      |       |      |       |      |       |      |       |      |       |      |       |      |       |      |       |      |       |     |    |      |       |     |    |      |       |     |    |      |       |     |    |      |       |     |    |      |       |     |  |  |  |  |  |  |  |  |
|               |            |          |                        |             |         |               |            |          |                        |             |         |       |       |       |       |        |      |              |       |        |      |              |      |       |       |              |      |        |       |              |       |        |       |          |       |        |       |              |       |        |       |          |       |              |       |          |       |        |       |              |       |       |       |          |       |        |       |              |       |          |       |        |       |        |       |              |       |        |       |        |       |        |      |          |       |        |       |        |       |        |      |          |      |       |       |        |       |        |       |       |       |        |      |       |       |        |       |        |       |              |      |       |       |              |      |        |       |              |       |        |       |              |       |       |       |          |       |        |       |              |       |        |      |          |       |        |      |              |       |        |       |        |       |              |       |          |       |              |       |        |       |        |       |          |       |              |       |        |       |          |       |        |       |          |       |        |       |              |       |              |       |          |      |          |       |              |       |              |      |        |       |       |       |          |       |          |       |        |       |        |       |        |       |          |       |          |       |        |       |        |       |       |       |        |       |        |       |       |       |       |       |        |       |        |       |       |       |        |       |        |       |              |       |        |       |              |       |        |       |        |       |              |       |        |       |        |       |              |       |        |      |          |       |              |       |        |      |          |       |        |       |        |       |          |       |              |       |        |       |          |       |        |       |              |       |        |       |        |       |        |       |          |       |              |       |        |       |        |       |          |       |              |       |        |      |       |       |              |       |              |      |              |      |              |       |              |      |          |      |       |       |              |       |          |       |              |       |          |       |          |       |              |      |        |       |              |       |              |       |        |       |        |       |          |       |          |       |          |       |       |       |        |       |       |       |        |       |       |      |        |       |          |       |       |       |          |       |        |       |        |       |        |       |          |       |        |       |        |       |        |      |        |       |        |       |       |       |        |       |        |       |        |       |        |       |        |       |        |      |       |       |        |       |        |       |        |       |       |       |        |       |        |       |        |      |        |       |        |       |       |       |        |       |        |       |        |      |        |       |        |       |       |       |        |      |        |       |        |      |        |       |        |      |       |       |        |      |       |       |        |      |       |       |        |      |       |       |        |      |       |       |        |      |       |      |       |      |       |      |       |      |       |      |       |      |       |      |       |      |       |      |       |      |       |      |       |      |       |      |       |      |       |      |       |      |       |      |       |      |       |      |       |      |       |      |       |      |       |      |       |     |    |      |       |     |    |      |       |     |    |      |       |     |    |      |       |     |    |      |       |     |  |  |  |  |  |  |  |  |
| 65            | 756        | 22.05    | 1.02                   | F 67        | 4       | 5.7           | 11816      | 126.36   | 0.95                   | F 127       | 8       |       |       |       |       |        |      |              |       |        |      |              |      |       |       |              |      |        |       |              |       |        |       |          |       |        |       |              |       |        |       |          |       |              |       |          |       |        |       |              |       |       |       |          |       |        |       |              |       |          |       |        |       |        |       |              |       |        |       |        |       |        |      |          |       |        |       |        |       |        |      |          |      |       |       |        |       |        |       |       |       |        |      |       |       |        |       |        |       |              |      |       |       |              |      |        |       |              |       |        |       |              |       |       |       |          |       |        |       |              |       |        |      |          |       |        |      |              |       |        |       |        |       |              |       |          |       |              |       |        |       |        |       |          |       |              |       |        |       |          |       |        |       |          |       |        |       |              |       |              |       |          |      |          |       |              |       |              |      |        |       |       |       |          |       |          |       |        |       |        |       |        |       |          |       |          |       |        |       |        |       |       |       |        |       |        |       |       |       |       |       |        |       |        |       |       |       |        |       |        |       |              |       |        |       |              |       |        |       |        |       |              |       |        |       |        |       |              |       |        |      |          |       |              |       |        |      |          |       |        |       |        |       |          |       |              |       |        |       |          |       |        |       |              |       |        |       |        |       |        |       |          |       |              |       |        |       |        |       |          |       |              |       |        |      |       |       |              |       |              |      |              |      |              |       |              |      |          |      |       |       |              |       |          |       |              |       |          |       |          |       |              |      |        |       |              |       |              |       |        |       |        |       |          |       |          |       |          |       |       |       |        |       |       |       |        |       |       |      |        |       |          |       |       |       |          |       |        |       |        |       |        |       |          |       |        |       |        |       |        |      |        |       |        |       |       |       |        |       |        |       |        |       |        |       |        |       |        |      |       |       |        |       |        |       |        |       |       |       |        |       |        |       |        |      |        |       |        |       |       |       |        |       |        |       |        |      |        |       |        |       |       |       |        |      |        |       |        |      |        |       |        |      |       |       |        |      |       |       |        |      |       |       |        |      |       |       |        |      |       |       |        |      |       |      |       |      |       |      |       |      |       |      |       |      |       |      |       |      |       |      |       |      |       |      |       |      |       |      |       |      |       |      |       |      |       |      |       |      |       |      |       |      |       |      |       |      |       |      |       |     |    |      |       |     |    |      |       |     |    |      |       |     |    |      |       |     |    |      |       |     |  |  |  |  |  |  |  |  |
| 69            | 717        | 20.9     | 1.08                   |             |         | 79            | 627        | 18.29    | 1.23                   |             |         | 87    | 565   | 16.48 | 1.36  | 100    | 496  | 14.46        | 1.55  | 113    | 438  |              |      | 12.76 | 1.76  | 127          | 388  |        |       | 11.31        | 2.0   | 149    | 331   | 9.66     | 2.3   |        |       |              |       | 150    | 329   | 9.61     | 1.5   | 158          | 312   |          |       | 9.11   | 1.7   | 181          | 273   | 7.97  | 2.1   | 201      | 246   | 7.18   | 2.4   |              |       | 229      | 216   | 6.30   | 2.7   | 259    | 191   | 5.56         | 2.9   |        |       | 292    | 169   | 4.93   | 3.1  | 342      | 144   |        |       | 4.21   | 3.3   |        |      |          |      |       |       |        |       |        |       |       |       |        |      | 86    | 576   | 16.81  | 0.98  | F 57   | 4     |              |      | 6.2   | 10776 |              |      | 115.24 | 1.05  |              |       | F 127  | 6     | 91           | 544   | 15.88 | 1.04  | 107      | 464   | 13.52  | 1.22  | 117          | 421   | 12.29  | 1.34 | 135      | 365   | 10.64  | 1.55 | 176          | 281   | 8.19   | 1.41  | 186    | 265   | 7.73         | 1.49  |          |       |              |       | 219    | 226   | 6.58   | 1.75  | 241      | 205   | 5.98         | 1.93  |        |       |          |       | 278    | 178   | 5.18     | 2.2   |        |       |              |       |              |       |          |      |          |       |              |       | <b>7.5kW</b> |      |        |       |       |       |          |       |          |       |        |       | 4.6    | 13812 |        |       | 312      | 0.82  | F 127R87 | 4     | 8.2    | 8238  | 178.64 | 0.88  | F 107 | 4     | 4.9    | 12971 | 293    | 0.87  | 5.5   | 11598 | 262   | 0.97  | 6.4    | 10005 | 226    | 1.13  | 7.2   | 8854  | 200    | 1.27  |        |       |              |       |        |       |              |       |        |       |        |       | 3.3          | 20350 | 217.62 | 0.83  | F 157  | 8     |              |       | 9.1    | 7437 |          |       | 161.28       | 1.97  |        |      | F 97     | 4     |        |       | 4.0    | 16664 | 178.20   | 1.02  |              |       | 4.4    | 15238 | 162.96   | 1.11  |        |       | 5.1          | 13260 |        |       | 141.80 | 1.28  | 5.8    | 11702 | 125.14   | 1.45  | 6.6          | 10145 | 108.49 | 1.67  |        |       | 7.5      | 9027  | 96.53        | 1.87  | 15     | 4487 |       |       | 97.31        | 0.90  | 16           | 4186 | 90.77        | 0.97 | 17           | 4015  | 87.06        | 1.01 | 18       | 3741 |       |       |              |       |          |       | 81.13        | 1.08  | 19       | 3523  |          |       |              |      |        |       |              |       | 76.40        | 1.15  | 21     | 3229  |        |       | 70.03    | 1.25  |          |       |          |       |       |       | 22     | 3050  |       |       | 66.14  | 1.33  |       |      | 25     | 2705  | 58.65    | 1.49  |       |       | 28       | 2445  | 53.03  | 1.65  | 32     | 2072  | 44.94  | 1.95  | 37       | 1810  | 39.26  | 2.2   | 44     | 1514  | 32.83  | 2.7  | 33     | 2023  | 43.87  | 2.0   | 40    | 1704  | 36.96  | 2.4   | 43     | 1580  | 34.26  | 2.6   | 48     | 1416  | 30.70  | 2.9   |        |      |       |       |        |       |        |       |        |       |       |       |        |       |        |       |        |      |        |       |        |       |       |       |        |       |        |       |        |      |        |       |        |       |       |       |        |      |        |       |        |      |        |       |        |      |       |       |        |      |       |       |        |      |       |       |        |      |       |       |        |      |       |       |        |      |       |      |       |      |       |      |       |      |       |      |       |      |       |      |       |      |       |      |       |      |       |      |       |      |       |      |       |      |       |      |       |      |       |      |       |      |       |      |       |      |       |      |       |      |       |      |       |     |    |      |       |     |    |      |       |     |    |      |       |     |    |      |       |     |    |      |       |     |  |  |  |  |  |  |  |  |
| 79            | 627        | 18.29    | 1.23                   |             |         | 87            | 565        | 16.48    | 1.36                   |             |         | 100   | 496   | 14.46 | 1.55  | 113    | 438  | 12.76        | 1.76  | 127    | 388  |              |      | 11.31 | 2.0   | 149          | 331  |        |       | 9.66         | 2.3   | 150    | 329   | 9.61     | 1.5   |        |       |              |       | 158    | 312   | 9.11     | 1.7   | 181          | 273   |          |       | 7.97   | 2.1   | 201          | 246   | 7.18  | 2.4   | 229      | 216   | 6.30   | 2.7   |              |       | 259      | 191   | 5.56   | 2.9   | 292    | 169   | 4.93         | 3.1   |        |       | 342    | 144   | 4.21   | 3.3  |          |       |        |       |        |       |        |      |          |      |       |       | 86     | 576   | 16.81  | 0.98  | F 57  | 4     |        |      | 6.2   | 10776 | 115.24 | 1.05  |        |       |              |      | F 127 | 6     |              |      | 91     | 544   | 15.88        | 1.04  |        |       | 107          | 464   | 13.52 | 1.22  | 117      | 421   | 12.29  | 1.34  | 135          | 365   | 10.64  | 1.55 | 176      | 281   | 8.19   | 1.41 | 186          | 265   | 7.73   | 1.49  | 219    | 226   | 6.58         | 1.75  |          |       |              |       | 241    | 205   | 5.98   | 1.93  | 278      | 178   | 5.18         | 2.2   |        |       |          |       |        |       |          |       |        |       |              |       |              |       |          |      |          |       | <b>7.5kW</b> |       |              |      |        |       |       |       |          |       |          |       |        |       | 4.6    | 13812 | 312    | 0.82  | F 127R87 | 4     |          |       | 8.2    | 8238  | 178.64 | 0.88  |       |       | F 107  | 4     | 4.9    | 12971 | 293   | 0.87  | 5.5   | 11598 | 262    | 0.97  | 6.4    | 10005 | 226   | 1.13  | 7.2    | 8854  | 200    | 1.27  |              |       |        |       |              |       |        |       |        |       |              |       | 3.3    | 20350 |        |       |              |       | 217.62 | 0.83 | F 157    | 8     | 9.1          | 7437  |        |      |          |       |        |       | 161.28 | 1.97  | F 97     | 4     |              |       | 4.0    | 16664 | 178.20   | 1.02  |        |       | 4.4          | 15238 |        |       | 162.96 | 1.11  | 5.1    | 13260 | 141.80   | 1.28  | 5.8          | 11702 | 125.14 | 1.45  |        |       | 6.6      | 10145 | 108.49       | 1.67  | 7.5    | 9027 | 96.53 | 1.87  | 15           | 4487  | 97.31        | 0.90 | 16           | 4186 | 90.77        | 0.97  | 17           | 4015 | 87.06    | 1.01 |       |       |              |       |          |       | 18           | 3741  | 81.13    | 1.08  |          |       |              |      |        |       |              |       | 19           | 3523  | 76.40  | 1.15  |        |       | 21       | 3229  |          |       |          |       |       |       | 70.03  | 1.25  |       |       | 22     | 3050  | 66.14 | 1.33 | 25     | 2705  | 58.65    | 1.49  | 28    | 2445  | 53.03    | 1.65  | 32     | 2072  | 44.94  | 1.95  | 37     | 1810  | 39.26    | 2.2   | 44     | 1514  | 32.83  | 2.7   | 33     | 2023 | 43.87  | 2.0   | 40     | 1704  | 36.96 | 2.4   | 43     | 1580  | 34.26  | 2.6   | 48     | 1416  | 30.70  | 2.9   |        |       |        |      |       |       |        |       |        |       |        |       |       |       |        |       |        |       |        |      |        |       |        |       |       |       |        |       |        |       |        |      |        |       |        |       |       |       |        |      |        |       |        |      |        |       |        |      |       |       |        |      |       |       |        |      |       |       |        |      |       |       |        |      |       |       |        |      |       |      |       |      |       |      |       |      |       |      |       |      |       |      |       |      |       |      |       |      |       |      |       |      |       |      |       |      |       |      |       |      |       |      |       |      |       |      |       |      |       |      |       |      |       |      |       |     |    |      |       |     |    |      |       |     |    |      |       |     |    |      |       |     |    |      |       |     |  |  |  |  |  |  |  |  |
| 87            | 565        | 16.48    | 1.36                   |             |         | 100           | 496        | 14.46    | 1.55                   | 113         | 438     | 12.76 | 1.76  | 127   | 388   | 11.31  | 2.0  | 149          | 331   | 9.66   | 2.3  |              |      | 150   | 329   | 9.61         | 1.5  |        |       | 158          | 312   | 9.11   | 1.7   | 181      | 273   |        |       |              |       | 7.97   | 2.1   | 201      | 246   | 7.18         | 2.4   |          |       | 229    | 216   | 6.30         | 2.7   | 259   | 191   | 5.56     | 2.9   | 292    | 169   |              |       | 4.93     | 3.1   | 342    | 144   | 4.21   | 3.3   |              |       |        |       |        |       |        |      |          |       |        |       | 86     | 576   | 16.81  | 0.98 | F 57     | 4    |       |       | 6.2    | 10776 | 115.24 | 1.05  |       |       |        |      | F 127 | 6     | 91     | 544   |        |       |              |      |       |       | 15.88        | 1.04 | 107    | 464   | 13.52        | 1.22  |        |       | 117          | 421   | 12.29 | 1.34  | 135      | 365   | 10.64  | 1.55  | 176          | 281   | 8.19   | 1.41 | 186      | 265   | 7.73   | 1.49 | 219          | 226   | 6.58   | 1.75  | 241    | 205   | 5.98         | 1.93  |          |       |              |       | 278    | 178   | 5.18   | 2.2   |          |       |              |       |        |       |          |       |        |       |          |       |        |       |              |       | <b>7.5kW</b> |       |          |      |          |       |              |       |              |      |        |       | 4.6   | 13812 | 312      | 0.82  | F 127R87 | 4     | 8.2    | 8238  | 178.64 | 0.88  | F 107  | 4     |          |       |          |       | 4.9    | 12971 | 293    | 0.87  |       |       |        |       | 5.5    | 11598 | 262   | 0.97  | 6.4   | 10005 | 226    | 1.13  | 7.2    | 8854  | 200   | 1.27  |        |       |        |       |              |       |        |       |              |       |        |       | 3.3    | 20350 | 217.62       | 0.83  | F 157  | 8     |        |       | 9.1          | 7437  | 161.28 | 1.97 |          |       | F 97         | 4     |        |      |          |       |        |       | 4.0    | 16664 |          |       |              |       | 178.20 | 1.02  | 4.4      | 15238 |        |       | 162.96       | 1.11  |        |       | 5.1    | 13260 | 141.80 | 1.28  | 5.8      | 11702 | 125.14       | 1.45  | 6.6    | 10145 | 108.49 | 1.67  | 7.5      | 9027  | 96.53        | 1.87  | 15     | 4487 | 97.31 | 0.90  | 16           | 4186  | 90.77        | 0.97 | 17           | 4015 | 87.06        | 1.01  | 18           | 3741 | 81.13    | 1.08 |       |       |              |       |          |       | 19           | 3523  | 76.40    | 1.15  |          |       |              |      |        |       |              |       | 21           | 3229  | 70.03  | 1.25  |        |       | 22       | 3050  |          |       | 66.14    | 1.33  |       |       | 25     | 2705  | 58.65 | 1.49  | 28     | 2445  | 53.03 | 1.65 | 32     | 2072  | 44.94    | 1.95  | 37    | 1810  | 39.26    | 2.2   | 44     | 1514  | 32.83  | 2.7   | 33     | 2023  | 43.87    | 2.0   | 40     | 1704  | 36.96  | 2.4   | 43     | 1580 | 34.26  | 2.6   | 48     | 1416  | 30.70 | 2.9   |        |       |        |       |        |       |        |       |        |       |        |      |       |       |        |       |        |       |        |       |       |       |        |       |        |       |        |      |        |       |        |       |       |       |        |       |        |       |        |      |        |       |        |       |       |       |        |      |        |       |        |      |        |       |        |      |       |       |        |      |       |       |        |      |       |       |        |      |       |       |        |      |       |       |        |      |       |      |       |      |       |      |       |      |       |      |       |      |       |      |       |      |       |      |       |      |       |      |       |      |       |      |       |      |       |      |       |      |       |      |       |      |       |      |       |      |       |      |       |      |       |      |       |     |    |      |       |     |    |      |       |     |    |      |       |     |    |      |       |     |    |      |       |     |  |  |  |  |  |  |  |  |
| 100           | 496        | 14.46    | 1.55                   |             |         | 113           | 438        | 12.76    | 1.76                   | 127         | 388     | 11.31 | 2.0   | 149   | 331   | 9.66   | 2.3  | 150          | 329   | 9.61   | 1.5  |              |      | 158   | 312   | 9.11         | 1.7  |        |       | 181          | 273   | 7.97   | 2.1   | 201      | 246   |        |       |              |       | 7.18   | 2.4   | 229      | 216   | 6.30         | 2.7   |          |       | 259    | 191   | 5.56         | 2.9   | 292   | 169   | 4.93     | 3.1   | 342    | 144   |              |       | 4.21     | 3.3   |        |       |        |       |              |       |        |       |        |       |        |      |          |       |        |       | 86     | 576   | 16.81  | 0.98 |          |      |       |       | F 57   | 4     | 6.2    | 10776 |       |       |        |      |       |       | 115.24 | 1.05  |        |       | F 127        | 6    |       |       | 91           | 544  | 15.88  | 1.04  | 107          | 464   | 13.52  | 1.22  | 117          | 421   | 12.29 | 1.34  | 135      | 365   | 10.64  | 1.55  | 176          | 281   | 8.19   | 1.41 | 186      | 265   | 7.73   | 1.49 | 219          | 226   | 6.58   | 1.75  | 241    | 205   | 5.98         | 1.93  |          |       |              |       | 278    | 178   | 5.18   | 2.2   |          |       |              |       |        |       |          |       |        |       |          |       |        |       | <b>7.5kW</b> |       |              |       |          |      |          |       |              |       |              |      | 4.6    | 13812 | 312   | 0.82  | F 127R87 | 4     |          |       | 8.2    | 8238  | 178.64 | 0.88  |        |       |          |       |          |       | F 107  | 4     | 4.9    | 12971 |       |       |        |       | 293    | 0.87  | 5.5   | 11598 | 262   | 0.97  | 6.4    | 10005 | 226    | 1.13  | 7.2   | 8854  | 200    | 1.27  |        |       |              |       |        |       |              |       |        |       |        |       | 3.3          | 20350 |        |       |        |       | 217.62       | 0.83  | F 157  | 8    |          |       |              |       |        |      |          |       |        |       | 9.1    | 7437  |          |       |              |       | 161.28 | 1.97  | F 97     | 4     |        |       | 4.0          | 16664 | 178.20 | 1.02  | 4.4    | 15238 | 162.96 | 1.11  | 5.1      | 13260 | 141.80       | 1.28  | 5.8    | 11702 | 125.14 | 1.45  | 6.6      | 10145 | 108.49       | 1.67  | 7.5    | 9027 | 96.53 | 1.87  | 15           | 4487  | 97.31        | 0.90 | 16           | 4186 | 90.77        | 0.97  | 17           | 4015 | 87.06    | 1.01 |       |       |              |       |          |       | 18           | 3741  | 81.13    | 1.08  |          |       |              |      | 19     | 3523  |              |       | 76.40        | 1.15  | 21     | 3229  |        |       | 70.03    | 1.25  | 22       | 3050  | 66.14    | 1.33  |       |       | 25     | 2705  | 58.65 | 1.49  | 28     | 2445  | 53.03 | 1.65 | 32     | 2072  | 44.94    | 1.95  | 37    | 1810  | 39.26    | 2.2   | 44     | 1514  | 32.83  | 2.7   | 33     | 2023  | 43.87    | 2.0   | 40     | 1704  | 36.96  | 2.4   | 43     | 1580 | 34.26  | 2.6   | 48     | 1416  | 30.70 | 2.9   |        |       |        |       |        |       |        |       |        |       |        |      |       |       |        |       |        |       |        |       |       |       |        |       |        |       |        |      |        |       |        |       |       |       |        |       |        |       |        |      |        |       |        |       |       |       |        |      |        |       |        |      |        |       |        |      |       |       |        |      |       |       |        |      |       |       |        |      |       |       |        |      |       |       |        |      |       |      |       |      |       |      |       |      |       |      |       |      |       |      |       |      |       |      |       |      |       |      |       |      |       |      |       |      |       |      |       |      |       |      |       |      |       |      |       |      |       |      |       |      |       |      |       |     |    |      |       |     |    |      |       |     |    |      |       |     |    |      |       |     |    |      |       |     |  |  |  |  |  |  |  |  |
| 113           | 438        | 12.76    | 1.76                   |             |         | 127           | 388        | 11.31    | 2.0                    | 149         | 331     | 9.66  | 2.3   | 150   | 329   | 9.61   | 1.5  | 158          | 312   | 9.11   | 1.7  |              |      | 181   | 273   | 7.97         | 2.1  |        |       | 201          | 246   | 7.18   | 2.4   | 229      | 216   |        |       |              |       | 6.30   | 2.7   | 259      | 191   | 5.56         | 2.9   |          |       | 292    | 169   | 4.93         | 3.1   | 342   | 144   | 4.21     | 3.3   |        |       |              |       |          |       |        |       |        |       |              |       |        |       | 86     | 576   | 16.81  | 0.98 | F 57     | 4     |        |       | 6.2    | 10776 | 115.24 | 1.05 |          |      |       |       |        |       | F 127  | 6     |       |       | 91     | 544  |       |       | 15.88  | 1.04  |        |       |              |      | 107   | 464   | 13.52        | 1.22 | 117    | 421   | 12.29        | 1.34  | 135    | 365   | 10.64        | 1.55  | 176   | 281   | 8.19     | 1.41  | 186    | 265   | 7.73         | 1.49  | 219    | 226  | 6.58     | 1.75  | 241    | 205  | 5.98         | 1.93  | 278    | 178   | 5.18   | 2.2   |              |       |          |       |              |       |        |       |        |       |          |       | <b>7.5kW</b> |       |        |       |          |       |        |       |          |       |        |       | 4.6          | 13812 | 312          | 0.82  | F 127R87 | 4    | 8.2      | 8238  | 178.64       | 0.88  | F 107        | 4    | 4.9    | 12971 | 293   | 0.87  |          |       |          |       | 5.5    | 11598 | 262    | 0.97  |        |       |          |       |          |       |        |       | 6.4    | 10005 |       |       |        |       | 226    | 1.13  | 7.2   | 8854  | 200   | 1.27  |        |       |        |       |       |       |        |       |        |       |              |       | 3.3    | 20350 | 217.62       | 0.83  | F 157  | 8     | 9.1    | 7437  | 161.28       | 1.97  |        |       |        |       | F 97         | 4     |        |      |          |       |              |       |        |      |          |       |        |       | 4.0    | 16664 |          |       |              |       | 178.20 | 1.02  |          |       | 4.4    | 15238 | 162.96       | 1.11  | 5.1    | 13260 | 141.80 | 1.28  | 5.8    | 11702 | 125.14   | 1.45  | 6.6          | 10145 | 108.49 | 1.67  | 7.5    | 9027  | 96.53    | 1.87  | 15           | 4487  | 97.31  | 0.90 | 16    | 4186  | 90.77        | 0.97  | 17           | 4015 | 87.06        | 1.01 | 18           | 3741  | 81.13        | 1.08 | 19       | 3523 |       |       |              |       |          |       | 76.40        | 1.15  | 21       | 3229  | 70.03    | 1.25  |              |      | 22     | 3050  |              |       | 66.14        | 1.33  | 25     | 2705  |        |       | 58.65    | 1.49  | 28       | 2445  | 53.03    | 1.65  | 32    | 2072  | 44.94  | 1.95  | 37    | 1810  | 39.26  | 2.2   | 44    | 1514 | 32.83  | 2.7   | 33       | 2023  | 43.87 | 2.0   | 40       | 1704  | 36.96  | 2.4   | 43     | 1580  | 34.26  | 2.6   | 48       | 1416  | 30.70  | 2.9   |        |       |        |      |        |       |        |       |       |       |        |       |        |       |        |       |        |       |        |       |        |      |       |       |        |       |        |       |        |       |       |       |        |       |        |       |        |      |        |       |        |       |       |       |        |       |        |       |        |      |        |       |        |       |       |       |        |      |        |       |        |      |        |       |        |      |       |       |        |      |       |       |        |      |       |       |        |      |       |       |        |      |       |       |        |      |       |      |       |      |       |      |       |      |       |      |       |      |       |      |       |      |       |      |       |      |       |      |       |      |       |      |       |      |       |      |       |      |       |      |       |      |       |      |       |      |       |      |       |      |       |      |       |     |    |      |       |     |    |      |       |     |    |      |       |     |    |      |       |     |    |      |       |     |  |  |  |  |  |  |  |  |
| 127           | 388        | 11.31    | 2.0                    |             |         | 149           | 331        | 9.66     | 2.3                    | 150         | 329     | 9.61  | 1.5   | 158   | 312   | 9.11   | 1.7  | 181          | 273   | 7.97   | 2.1  |              |      | 201   | 246   | 7.18         | 2.4  |        |       | 229          | 216   | 6.30   | 2.7   | 259      | 191   |        |       |              |       | 5.56   | 2.9   | 292      | 169   | 4.93         | 3.1   |          |       | 342    | 144   | 4.21         | 3.3   |       |       |          |       |        |       |              |       |          |       |        |       |        |       | 86           | 576   |        |       | 16.81  | 0.98  | F 57   | 4    |          |       |        |       | 6.2    | 10776 | 115.24 | 1.05 |          |      | F 127 | 6     |        |       |        |       |       |       | 91     | 544  | 15.88 | 1.04  | 107    | 464   |        |       |              |      | 13.52 | 1.22  | 117          | 421  | 12.29  | 1.34  | 135          | 365   | 10.64  | 1.55  | 176          | 281   | 8.19  | 1.41  | 186      | 265   | 7.73   | 1.49  | 219          | 226   | 6.58   | 1.75 | 241      | 205   | 5.98   | 1.93 | 278          | 178   | 5.18   | 2.2   |        |       |              |       |          |       |              |       |        |       |        |       |          |       | <b>7.5kW</b> |       |        |       |          |       |        |       |          |       |        |       | 4.6          | 13812 | 312          | 0.82  |          |      | F 127R87 | 4     | 8.2          | 8238  |              |      | 178.64 | 0.88  | F 107 | 4     |          |       |          |       | 4.9    | 12971 | 293    | 0.87  |        |       |          |       | 5.5      | 11598 |        |       | 262    | 0.97  |       |       |        |       | 6.4    | 10005 | 226   | 1.13  | 7.2   | 8854  | 200    | 1.27  |        |       |       |       |        |       |        |       |              |       |        |       | 3.3          | 20350 |        |       | 217.62 | 0.83  | F 157        | 8     |        |       |        |       |              |       |        |      |          |       |              |       |        |      |          |       |        |       | 9.1    | 7437  |          |       | 161.28       | 1.97  | F 97   | 4     |          |       | 4.0    | 16664 | 178.20       | 1.02  | 4.4    | 15238 | 162.96 | 1.11  | 5.1    | 13260 | 141.80   | 1.28  | 5.8          | 11702 | 125.14 | 1.45  | 6.6    | 10145 | 108.49   | 1.67  | 7.5          | 9027  | 96.53  | 1.87 | 15    | 4487  | 97.31        | 0.90  | 16           | 4186 | 90.77        | 0.97 | 17           | 4015  | 87.06        | 1.01 | 18       | 3741 |       |       |              |       | 81.13    | 1.08  | 19           | 3523  | 76.40    | 1.15  | 21       | 3229  |              |      | 70.03  | 1.25  | 22           | 3050  | 66.14        | 1.33  | 25     | 2705  |        |       | 58.65    | 1.49  | 28       | 2445  | 53.03    | 1.65  | 32    | 2072  | 44.94  | 1.95  | 37    | 1810  | 39.26  | 2.2   | 44    | 1514 | 32.83  | 2.7   | 33       | 2023  | 43.87 | 2.0   | 40       | 1704  | 36.96  | 2.4   | 43     | 1580  | 34.26  | 2.6   | 48       | 1416  | 30.70  | 2.9   |        |       |        |      |        |       |        |       |       |       |        |       |        |       |        |       |        |       |        |       |        |      |       |       |        |       |        |       |        |       |       |       |        |       |        |       |        |      |        |       |        |       |       |       |        |       |        |       |        |      |        |       |        |       |       |       |        |      |        |       |        |      |        |       |        |      |       |       |        |      |       |       |        |      |       |       |        |      |       |       |        |      |       |       |        |      |       |      |       |      |       |      |       |      |       |      |       |      |       |      |       |      |       |      |       |      |       |      |       |      |       |      |       |      |       |      |       |      |       |      |       |      |       |      |       |      |       |      |       |      |       |      |       |     |    |      |       |     |    |      |       |     |    |      |       |     |    |      |       |     |    |      |       |     |  |  |  |  |  |  |  |  |
| 149           | 331        | 9.66     | 2.3                    |             |         | 150           | 329        | 9.61     | 1.5                    | 158         | 312     | 9.11  | 1.7   | 181   | 273   | 7.97   | 2.1  | 201          | 246   | 7.18   | 2.4  |              |      | 229   | 216   | 6.30         | 2.7  |        |       | 259          | 191   | 5.56   | 2.9   | 292      | 169   |        |       |              |       | 4.93   | 3.1   | 342      | 144   | 4.21         | 3.3   |          |       |        |       |              |       |       |       |          |       |        |       |              |       | 86       | 576   | 16.81  | 0.98  | F 57   | 4     | 6.2          | 10776 |        |       | 115.24 | 1.05  |        |      |          |       | F 127  | 6     | 91     | 544   | 15.88  | 1.04 |          |      |       |       |        |       |        |       |       |       | 107    | 464  | 13.52 | 1.22  | 117    | 421   |        |       | 12.29        | 1.34 | 135   | 365   | 10.64        | 1.55 | 176    | 281   | 8.19         | 1.41  | 186    | 265   | 7.73         | 1.49  | 219   | 226   | 6.58     | 1.75  | 241    | 205   | 5.98         | 1.93  | 278    | 178  | 5.18     | 2.2   |        |      |              |       |        |       |        |       |              |       |          |       | <b>7.5kW</b> |       |        |       |        |       |          |       |              |       |        |       | 4.6      | 13812 | 312    | 0.82  | F 127R87 | 4     | 8.2    | 8238  | 178.64       | 0.88  | F 107        | 4     |          |      |          |       | 4.9          | 12971 |              |      | 293    | 0.87  |       |       |          |       |          |       | 5.5    | 11598 | 262    | 0.97  |        |       | 6.4      | 10005 | 226      | 1.13  |        |       | 7.2    | 8854  |       |       |        |       | 200    | 1.27  |       |       |       |       |        |       |        |       |       |       |        |       | 3.3    | 20350 | 217.62       | 0.83  | F 157  | 8     | 9.1          | 7437  |        |       | 161.28 | 1.97  |              |       |        |       |        |       |              |       |        |      |          |       |              |       |        |      |          |       | F 97   | 4     | 4.0    | 16664 |          |       | 178.20       | 1.02  |        |       |          |       | 4.4    | 15238 | 162.96       | 1.11  | 5.1    | 13260 | 141.80 | 1.28  | 5.8    | 11702 | 125.14   | 1.45  | 6.6          | 10145 | 108.49 | 1.67  | 7.5    | 9027  | 96.53    | 1.87  | 15           | 4487  | 97.31  | 0.90 | 16    | 4186  | 90.77        | 0.97  | 17           | 4015 | 87.06        | 1.01 | 18           | 3741  | 81.13        | 1.08 | 19       | 3523 | 76.40 | 1.15  |              |       | 21       | 3229  | 70.03        | 1.25  | 22       | 3050  | 66.14    | 1.33  | 25           | 2705 | 58.65  | 1.49  | 28           | 2445  | 53.03        | 1.65  | 32     | 2072  |        |       | 44.94    | 1.95  | 37       | 1810  | 39.26    | 2.2   | 44    | 1514  | 32.83  | 2.7   | 33    | 2023  | 43.87  | 2.0   | 40    | 1704 | 36.96  | 2.4   | 43       | 1580  | 34.26 | 2.6   | 48       | 1416  | 30.70  | 2.9   |        |       |        |       |          |       |        |       |        |       |        |      |        |       |        |       |       |       |        |       |        |       |        |       |        |       |        |       |        |      |       |       |        |       |        |       |        |       |       |       |        |       |        |       |        |      |        |       |        |       |       |       |        |       |        |       |        |      |        |       |        |       |       |       |        |      |        |       |        |      |        |       |        |      |       |       |        |      |       |       |        |      |       |       |        |      |       |       |        |      |       |       |        |      |       |      |       |      |       |      |       |      |       |      |       |      |       |      |       |      |       |      |       |      |       |      |       |      |       |      |       |      |       |      |       |      |       |      |       |      |       |      |       |      |       |      |       |      |       |      |       |     |    |      |       |     |    |      |       |     |    |      |       |     |    |      |       |     |    |      |       |     |  |  |  |  |  |  |  |  |
| 150           | 329        | 9.61     | 1.5                    |             |         | 158           | 312        | 9.11     | 1.7                    | 181         | 273     | 7.97  | 2.1   | 201   | 246   | 7.18   | 2.4  | 229          | 216   | 6.30   | 2.7  |              |      | 259   | 191   | 5.56         | 2.9  |        |       | 292          | 169   | 4.93   | 3.1   | 342      | 144   |        |       |              |       | 4.21   | 3.3   |          |       |              |       |          |       |        |       |              |       |       |       | 86       | 576   | 16.81  | 0.98  |              |       | F 57     | 4     | 6.2    | 10776 |        |       | 115.24       | 1.05  | F 127  | 6     | 91     | 544   |        |      |          |       |        |       | 15.88  | 1.04  | 107    | 464  |          |      |       |       |        |       | 13.52  | 1.22  |       |       | 117    | 421  | 12.29 | 1.34  | 135    | 365   |        |       | 10.64        | 1.55 | 176   | 281   | 8.19         | 1.41 | 186    | 265   | 7.73         | 1.49  | 219    | 226   | 6.58         | 1.75  | 241   | 205   | 5.98     | 1.93  | 278    | 178   | 5.18         | 2.2   |        |      |          |       |        |      |              |       |        |       |        |       | <b>7.5kW</b> |       |          |       |              |       |        |       |        |       |          |       | 4.6          | 13812 | 312    | 0.82  | F 127R87 | 4     | 8.2    | 8238  |          |       | 178.64 | 0.88  | F 107        | 4     |              |       |          |      |          |       | 4.9          | 12971 |              |      | 293    | 0.87  |       |       |          |       | 5.5      | 11598 | 262    | 0.97  | 6.4    | 10005 |        |       | 226      | 1.13  | 7.2      | 8854  |        |       | 200    | 1.27  |       |       |        |       |        |       |       |       |       |       |        |       |        |       |       |       | 3.3    | 20350 | 217.62 | 0.83  | F 157        | 8     |        |       | 9.1          | 7437  |        |       | 161.28 | 1.97  |              |       |        |       |        |       |              |       |        |      |          |       |              |       | F 97   | 4    |          |       |        |       | 4.0    | 16664 |          |       | 178.20       | 1.02  |        |       |          |       | 4.4    | 15238 | 162.96       | 1.11  | 5.1    | 13260 | 141.80 | 1.28  | 5.8    | 11702 | 125.14   | 1.45  | 6.6          | 10145 | 108.49 | 1.67  | 7.5    | 9027  | 96.53    | 1.87  | 15           | 4487  | 97.31  | 0.90 | 16    | 4186  | 90.77        | 0.97  | 17           | 4015 | 87.06        | 1.01 | 18           | 3741  | 81.13        | 1.08 | 19       | 3523 | 76.40 | 1.15  | 21           | 3229  | 70.03    | 1.25  | 22           | 3050  | 66.14    | 1.33  | 25       | 2705  | 58.65        | 1.49 | 28     | 2445  | 53.03        | 1.65  | 32           | 2072  | 44.94  | 1.95  | 37     | 1810  | 39.26    | 2.2   | 44       | 1514  | 32.83    | 2.7   | 33    | 2023  | 43.87  | 2.0   | 40    | 1704  | 36.96  | 2.4   | 43    | 1580 | 34.26  | 2.6   | 48       | 1416  | 30.70 | 2.9   |          |       |        |       |        |       |        |       |          |       |        |       |        |       |        |      |        |       |        |       |       |       |        |       |        |       |        |       |        |       |        |       |        |      |       |       |        |       |        |       |        |       |       |       |        |       |        |       |        |      |        |       |        |       |       |       |        |       |        |       |        |      |        |       |        |       |       |       |        |      |        |       |        |      |        |       |        |      |       |       |        |      |       |       |        |      |       |       |        |      |       |       |        |      |       |       |        |      |       |      |       |      |       |      |       |      |       |      |       |      |       |      |       |      |       |      |       |      |       |      |       |      |       |      |       |      |       |      |       |      |       |      |       |      |       |      |       |      |       |      |       |      |       |      |       |     |    |      |       |     |    |      |       |     |    |      |       |     |    |      |       |     |    |      |       |     |  |  |  |  |  |  |  |  |
| 158           | 312        | 9.11     | 1.7                    |             |         | 181           | 273        | 7.97     | 2.1                    | 201         | 246     | 7.18  | 2.4   | 229   | 216   | 6.30   | 2.7  | 259          | 191   | 5.56   | 2.9  |              |      | 292   | 169   | 4.93         | 3.1  |        |       | 342          | 144   | 4.21   | 3.3   |          |       |        |       |              |       |        |       |          |       |              |       |          |       | 86     | 576   | 16.81        | 0.98  | F 57  | 4     | 6.2      | 10776 | 115.24 | 1.05  | F 127        | 6     |          |       | 91     | 544   |        |       | 15.88        | 1.04  |        |       | 107    | 464   |        |      |          |       |        |       | 13.52  | 1.22  | 117    | 421  |          |      | 12.29 | 1.34  |        |       | 135    | 365   |       |       | 10.64  | 1.55 | 176   | 281   | 8.19   | 1.41  |        |       | 186          | 265  | 7.73  | 1.49  | 219          | 226  | 6.58   | 1.75  | 241          | 205   | 5.98   | 1.93  | 278          | 178   | 5.18  | 2.2   |          |       |        |       |              |       |        |      |          |       |        |      | <b>7.5kW</b> |       |        |       |        |       |              |       |          |       |              |       | 4.6    | 13812 | 312    | 0.82  | F 127R87 | 4     | 8.2          | 8238  | 178.64 | 0.88  |          |       | F 107  | 4     |          |       | 4.9    | 12971 |              |       |              |       |          |      |          |       | 293          | 0.87  |              |      | 5.5    | 11598 |       |       | 262      | 0.97  | 6.4      | 10005 | 226    | 1.13  | 7.2    | 8854  |        |       | 200      | 1.27  |          |       |        |       |        |       |       |       |        |       |        |       |       |       |       |       | 3.3    | 20350 | 217.62 | 0.83  | F 157 | 8     | 9.1    | 7437  | 161.28 | 1.97  |              |       |        |       | F 97         | 4     |        |       | 4.0    | 16664 |              |       |        |       |        |       |              |       |        |      |          |       |              |       |        |      |          |       |        |       | 178.20 | 1.02  |          |       | 4.4          | 15238 |        |       |          |       | 162.96 | 1.11  | 5.1          | 13260 | 141.80 | 1.28  | 5.8    | 11702 | 125.14 | 1.45  | 6.6      | 10145 | 108.49       | 1.67  | 7.5    | 9027  | 96.53  | 1.87  | 15       | 4487  | 97.31        | 0.90  | 16     | 4186 | 90.77 | 0.97  | 17           | 4015  | 87.06        | 1.01 | 18           | 3741 | 81.13        | 1.08  | 19           | 3523 | 76.40    | 1.15 | 21    | 3229  | 70.03        | 1.25  | 22       | 3050  | 66.14        | 1.33  | 25       | 2705  | 58.65    | 1.49  | 28           | 2445 | 53.03  | 1.65  | 32           | 2072  | 44.94        | 1.95  | 37     | 1810  | 39.26  | 2.2   | 44       | 1514  | 32.83    | 2.7   | 33       | 2023  | 43.87 | 2.0   | 40     | 1704  | 36.96 | 2.4   | 43     | 1580  | 34.26 | 2.6  | 48     | 1416  | 30.70    | 2.9   |       |       |          |       |        |       |        |       |        |       |          |       |        |       |        |       |        |      |        |       |        |       |       |       |        |       |        |       |        |       |        |       |        |       |        |      |       |       |        |       |        |       |        |       |       |       |        |       |        |       |        |      |        |       |        |       |       |       |        |       |        |       |        |      |        |       |        |       |       |       |        |      |        |       |        |      |        |       |        |      |       |       |        |      |       |       |        |      |       |       |        |      |       |       |        |      |       |       |        |      |       |      |       |      |       |      |       |      |       |      |       |      |       |      |       |      |       |      |       |      |       |      |       |      |       |      |       |      |       |      |       |      |       |      |       |      |       |      |       |      |       |      |       |      |       |      |       |     |    |      |       |     |    |      |       |     |    |      |       |     |    |      |       |     |    |      |       |     |  |  |  |  |  |  |  |  |
| 181           | 273        | 7.97     | 2.1                    |             |         | 201           | 246        | 7.18     | 2.4                    | 229         | 216     | 6.30  | 2.7   | 259   | 191   | 5.56   | 2.9  | 292          | 169   | 4.93   | 3.1  |              |      | 342   | 144   | 4.21         | 3.3  |        |       |              |       |        |       |          |       |        |       |              |       |        |       |          |       |              |       | 86       | 576   | 16.81  | 0.98  | F 57         | 4     |       |       | 6.2      | 10776 | 115.24 | 1.05  |              |       |          |       | F 127  | 6     |        |       | 91           | 544   |        |       | 15.88  | 1.04  |        |      |          |       | 107    | 464   | 13.52  | 1.22  | 117    | 421  |          |      | 12.29 | 1.34  |        |       | 135    | 365   |       |       | 10.64  | 1.55 | 176   | 281   | 8.19   | 1.41  |        |       | 186          | 265  | 7.73  | 1.49  | 219          | 226  | 6.58   | 1.75  | 241          | 205   | 5.98   | 1.93  | 278          | 178   | 5.18  | 2.2   |          |       |        |       |              |       |        |      |          |       |        |      | <b>7.5kW</b> |       |        |       |        |       |              |       |          |       |              |       | 4.6    | 13812 | 312    | 0.82  |          |       | F 127R87     | 4     | 8.2    | 8238  |          |       |        |       |          |       | 178.64 | 0.88  |              |       |              |       | F 107    | 4    |          |       | 4.9          | 12971 |              |      | 293    | 0.87  |       |       | 5.5      | 11598 | 262      | 0.97  | 6.4    | 10005 | 226    | 1.13  |        |       | 7.2      | 8854  | 200      | 1.27  |        |       |        |       |       |       |        |       |        |       |       |       |       |       | 3.3    | 20350 | 217.62 | 0.83  |       |       | F 157  | 8     | 9.1    | 7437  |              |       |        |       |              |       |        |       | 161.28 | 1.97  |              |       |        |       |        |       |              |       |        |      |          |       |              |       |        |      |          |       |        |       | F 97   | 4     |          |       | 4.0          | 16664 |        |       |          |       | 178.20 | 1.02  | 4.4          | 15238 | 162.96 | 1.11  | 5.1    | 13260 | 141.80 | 1.28  | 5.8      | 11702 | 125.14       | 1.45  | 6.6    | 10145 | 108.49 | 1.67  | 7.5      | 9027  | 96.53        | 1.87  | 15     | 4487 | 97.31 | 0.90  | 16           | 4186  | 90.77        | 0.97 | 17           | 4015 | 87.06        | 1.01  | 18           | 3741 | 81.13    | 1.08 | 19    | 3523  | 76.40        | 1.15  | 21       | 3229  | 70.03        | 1.25  | 22       | 3050  | 66.14    | 1.33  | 25           | 2705 | 58.65  | 1.49  | 28           | 2445  | 53.03        | 1.65  | 32     | 2072  | 44.94  | 1.95  | 37       | 1810  | 39.26    | 2.2   | 44       | 1514  | 32.83 | 2.7   | 33     | 2023  | 43.87 | 2.0   | 40     | 1704  | 36.96 | 2.4  | 43     | 1580  | 34.26    | 2.6   | 48    | 1416  | 30.70    | 2.9   |        |       |        |       |        |       |          |       |        |       |        |       |        |      |        |       |        |       |       |       |        |       |        |       |        |       |        |       |        |       |        |      |       |       |        |       |        |       |        |       |       |       |        |       |        |       |        |      |        |       |        |       |       |       |        |       |        |       |        |      |        |       |        |       |       |       |        |      |        |       |        |      |        |       |        |      |       |       |        |      |       |       |        |      |       |       |        |      |       |       |        |      |       |       |        |      |       |      |       |      |       |      |       |      |       |      |       |      |       |      |       |      |       |      |       |      |       |      |       |      |       |      |       |      |       |      |       |      |       |      |       |      |       |      |       |      |       |      |       |      |       |      |       |     |    |      |       |     |    |      |       |     |    |      |       |     |    |      |       |     |    |      |       |     |  |  |  |  |  |  |  |  |
| 201           | 246        | 7.18     | 2.4                    |             |         | 229           | 216        | 6.30     | 2.7                    | 259         | 191     | 5.56  | 2.9   | 292   | 169   | 4.93   | 3.1  | 342          | 144   | 4.21   | 3.3  |              |      |       |       |              |      |        |       |              |       |        |       |          |       | 86     | 576   |              |       | 16.81  | 0.98  | F 57     | 4     | 6.2          | 10776 | 115.24   | 1.05  | F 127  | 6     |              |       |       |       | 91       | 544   | 15.88  | 1.04  |              |       |          |       |        |       |        |       | 107          | 464   | 13.52  | 1.22  | 117    | 421   |        |      |          |       | 12.29  | 1.34  | 135    | 365   | 10.64  | 1.55 |          |      | 176   | 281   |        |       | 8.19   | 1.41  |       |       | 186    | 265  | 7.73  | 1.49  | 219    | 226   | 6.58   | 1.75  | 241          | 205  | 5.98  | 1.93  | 278          | 178  | 5.18   | 2.2   |              |       |        |       |              |       |       |       |          |       |        |       | <b>7.5kW</b> |       |        |      |          |       |        |      |              |       |        |       | 4.6    | 13812 | 312          | 0.82  | F 127R87 | 4     | 8.2          | 8238  | 178.64 | 0.88  | F 107  | 4     |          |       |              |       | 4.9    | 12971 |          |       |        |       |          |       | 293    | 0.87  |              |       |              |       |          |      | 5.5      | 11598 | 262          | 0.97  |              |      | 6.4    | 10005 |       |       | 226      | 1.13  | 7.2      | 8854  | 200    | 1.27  |        |       |        |       |          |       |          |       |        |       |        |       | 3.3   | 20350 |        |       | 217.62 | 0.83  | F 157 | 8     | 9.1   | 7437  | 161.28 | 1.97  | F 97   | 4     |       |       |        |       | 4.0    | 16664 |              |       |        |       |              |       |        |       | 178.20 | 1.02  |              |       |        |       | 4.4    | 15238 |              |       |        |      |          |       |              |       |        |      | 162.96   | 1.11  |        |       |        |       |          |       | 5.1          | 13260 |        |       |          |       | 141.80 | 1.28  | 5.8          | 11702 | 125.14 | 1.45  | 6.6    | 10145 | 108.49 | 1.67  | 7.5      | 9027  | 96.53        | 1.87  | 15     | 4487  | 97.31  | 0.90  | 16       | 4186  | 90.77        | 0.97  | 17     | 4015 | 87.06 | 1.01  | 18           | 3741  | 81.13        | 1.08 | 19           | 3523 | 76.40        | 1.15  | 21           | 3229 | 70.03    | 1.25 | 22    | 3050  | 66.14        | 1.33  | 25       | 2705  | 58.65        | 1.49  | 28       | 2445  | 53.03    | 1.65  | 32           | 2072 | 44.94  | 1.95  | 37           | 1810  | 39.26        | 2.2   | 44     | 1514  | 32.83  | 2.7   | 33       | 2023  | 43.87    | 2.0   | 40       | 1704  | 36.96 | 2.4   | 43     | 1580  | 34.26 | 2.6   | 48     | 1416  | 30.70 | 2.9  |        |       |          |       |       |       |          |       |        |       |        |       |        |       |          |       |        |       |        |       |        |      |        |       |        |       |       |       |        |       |        |       |        |       |        |       |        |       |        |      |       |       |        |       |        |       |        |       |       |       |        |       |        |       |        |      |        |       |        |       |       |       |        |       |        |       |        |      |        |       |        |       |       |       |        |      |        |       |        |      |        |       |        |      |       |       |        |      |       |       |        |      |       |       |        |      |       |       |        |      |       |       |        |      |       |      |       |      |       |      |       |      |       |      |       |      |       |      |       |      |       |      |       |      |       |      |       |      |       |      |       |      |       |      |       |      |       |      |       |      |       |      |       |      |       |      |       |      |       |      |       |     |    |      |       |     |    |      |       |     |    |      |       |     |    |      |       |     |    |      |       |     |  |  |  |  |  |  |  |  |
| 229           | 216        | 6.30     | 2.7                    |             |         | 259           | 191        | 5.56     | 2.9                    | 292         | 169     | 4.93  | 3.1   | 342   | 144   | 4.21   | 3.3  |              |       |        |      |              |      |       |       |              |      |        |       | 86           | 576   | 16.81  | 0.98  | F 57     | 4     | 6.2    | 10776 | 115.24       | 1.05  | F 127  | 6     |          |       | 91           | 544   | 15.88    | 1.04  |        |       |              |       |       |       | 107      | 464   | 13.52  | 1.22  | 117          | 421   |          |       |        |       |        |       | 12.29        | 1.34  | 135    | 365   | 10.64  | 1.55  |        |      |          |       | 176    | 281   | 8.19   | 1.41  | 186    | 265  |          |      | 7.73  | 1.49  |        |       | 219    | 226   | 6.58  | 1.75  | 241    | 205  | 5.98  | 1.93  | 278    | 178   | 5.18   | 2.2   |              |      |       |       |              |      |        |       |              |       |        |       | <b>7.5kW</b> |       |       |       |          |       |        |       |              |       |        |      | 4.6      | 13812 | 312    | 0.82 | F 127R87     | 4     | 8.2    | 8238  | 178.64 | 0.88  | F 107        | 4     |          |       | 4.9          | 12971 | 293    | 0.87  |        |       |          |       |              |       | 5.5    | 11598 |          |       |        |       | 262      | 0.97  | 6.4    | 10005 |              |       |              |       |          |      | 226      | 1.13  | 7.2          | 8854  |              |      | 200    | 1.27  |       |       |          |       |          |       |        |       |        |       |        |       |          |       | 3.3      | 20350 |        |       | 217.62 | 0.83  | F 157 | 8     | 9.1    | 7437  | 161.28 | 1.97  |       |       | F 97  | 4     | 4.0    | 16664 |        |       |       |       |        |       | 178.20 | 1.02  |              |       |        |       |              |       |        |       | 4.4    | 15238 |              |       |        |       | 162.96 | 1.11  |              |       |        |      | 5.1      | 13260 |              |       |        |      | 141.80   | 1.28  |        |       |        |       | 5.8      | 11702 | 125.14       | 1.45  |        |       |          |       | 6.6    | 10145 | 108.49       | 1.67  | 7.5    | 9027  | 96.53  | 1.87  | 15     | 4487  | 97.31    | 0.90  | 16           | 4186  | 90.77  | 0.97  | 17     | 4015  | 87.06    | 1.01  | 18           | 3741  | 81.13  | 1.08 | 19    | 3523  | 76.40        | 1.15  | 21           | 3229 | 70.03        | 1.25 | 22           | 3050  | 66.14        | 1.33 | 25       | 2705 | 58.65 | 1.49  | 28           | 2445  | 53.03    | 1.65  | 32           | 2072  | 44.94    | 1.95  | 37       | 1810  | 39.26        | 2.2  | 44     | 1514  | 32.83        | 2.7   | 33           | 2023  | 43.87  | 2.0   | 40     | 1704  | 36.96    | 2.4   | 43       | 1580  | 34.26    | 2.6   | 48    | 1416  | 30.70  | 2.9   |       |       |        |       |       |      |        |       |          |       |       |       |          |       |        |       |        |       |        |       |          |       |        |       |        |       |        |      |        |       |        |       |       |       |        |       |        |       |        |       |        |       |        |       |        |      |       |       |        |       |        |       |        |       |       |       |        |       |        |       |        |      |        |       |        |       |       |       |        |       |        |       |        |      |        |       |        |       |       |       |        |      |        |       |        |      |        |       |        |      |       |       |        |      |       |       |        |      |       |       |        |      |       |       |        |      |       |       |        |      |       |      |       |      |       |      |       |      |       |      |       |      |       |      |       |      |       |      |       |      |       |      |       |      |       |      |       |      |       |      |       |      |       |      |       |      |       |      |       |      |       |      |       |      |       |      |       |     |    |      |       |     |    |      |       |     |    |      |       |     |    |      |       |     |    |      |       |     |  |  |  |  |  |  |  |  |
| 259           | 191        | 5.56     | 2.9                    |             |         | 292           | 169        | 4.93     | 3.1                    | 342         | 144     | 4.21  | 3.3   |       |       |        |      |              |       |        |      |              |      |       |       | 86           | 576  | 16.81  | 0.98  | F 57         | 4     | 6.2    | 10776 |          |       | 115.24 | 1.05  | F 127        | 6     |        |       |          |       | 91           | 544   | 15.88    | 1.04  |        |       |              |       |       |       | 107      | 464   | 13.52  | 1.22  | 117          | 421   |          |       | 12.29  | 1.34  |        |       | 135          | 365   | 10.64  | 1.55  | 176    | 281   |        |      |          |       | 8.19   | 1.41  | 186    | 265   | 7.73   | 1.49 | 219      | 226  | 6.58  | 1.75  |        |       | 241    | 205   | 5.98  | 1.93  | 278    | 178  | 5.18  | 2.2   |        |       |        |       |              |      |       |       |              |      |        |       | <b>7.5kW</b> |       |        |       |              |       |       |       |          |       |        |       | 4.6          | 13812 | 312    | 0.82 | F 127R87 | 4     | 8.2    | 8238 |              |       | 178.64 | 0.88  | F 107  | 4     |              |       |          |       | 4.9          | 12971 | 293    | 0.87  |        |       |          |       |              |       | 5.5    | 11598 | 262      | 0.97  |        |       | 6.4      | 10005 | 226    | 1.13  |              |       |              |       |          |      | 7.2      | 8854  | 200          | 1.27  |              |      |        |       |       |       |          |       |          |       |        |       |        |       | 3.3    | 20350 | 217.62   | 0.83  | F 157    | 8     |        |       | 9.1    | 7437  |       |       | 161.28 | 1.97  | F 97   | 4     |       |       |       |       | 4.0    | 16664 |        |       |       |       |        |       | 178.20 | 1.02  |              |       |        |       |              |       |        |       | 4.4    | 15238 |              |       | 162.96 | 1.11  | 5.1    | 13260 |              |       |        |      | 141.80   | 1.28  | 5.8          | 11702 |        |      | 125.14   | 1.45  |        |       |        |       | 6.6      | 10145 | 108.49       | 1.67  |        |       |          |       | 7.5    | 9027  | 96.53        | 1.87  | 15     | 4487  | 97.31  | 0.90  | 16     | 4186  | 90.77    | 0.97  | 17           | 4015  | 87.06  | 1.01  | 18     | 3741  | 81.13    | 1.08  | 19           | 3523  | 76.40  | 1.15 | 21    | 3229  | 70.03        | 1.25  | 22           | 3050 | 66.14        | 1.33 | 25           | 2705  | 58.65        | 1.49 | 28       | 2445 | 53.03 | 1.65  | 32           | 2072  | 44.94    | 1.95  | 37           | 1810  | 39.26    | 2.2   | 44       | 1514  | 32.83        | 2.7  | 33     | 2023  | 43.87        | 2.0   | 40           | 1704  | 36.96  | 2.4   | 43     | 1580  | 34.26    | 2.6   | 48       | 1416  | 30.70    | 2.9   |       |       |        |       |       |       |        |       |       |      |        |       |          |       |       |       |          |       |        |       |        |       |        |       |          |       |        |       |        |       |        |      |        |       |        |       |       |       |        |       |        |       |        |       |        |       |        |       |        |      |       |       |        |       |        |       |        |       |       |       |        |       |        |       |        |      |        |       |        |       |       |       |        |       |        |       |        |      |        |       |        |       |       |       |        |      |        |       |        |      |        |       |        |      |       |       |        |      |       |       |        |      |       |       |        |      |       |       |        |      |       |       |        |      |       |      |       |      |       |      |       |      |       |      |       |      |       |      |       |      |       |      |       |      |       |      |       |      |       |      |       |      |       |      |       |      |       |      |       |      |       |      |       |      |       |      |       |      |       |      |       |     |    |      |       |     |    |      |       |     |    |      |       |     |    |      |       |     |    |      |       |     |  |  |  |  |  |  |  |  |
| 292           | 169        | 4.93     | 3.1                    |             |         | 342           | 144        | 4.21     | 3.3                    |             |         |       |       |       |       |        |      |              |       |        |      | 86           | 576  | 16.81 | 0.98  | F 57         | 4    | 6.2    | 10776 |              |       | 115.24 | 1.05  |          |       | F 127  | 6     |              |       |        |       |          |       | 91           | 544   | 15.88    | 1.04  | 107    | 464   |              |       |       |       | 13.52    | 1.22  | 117    | 421   | 12.29        | 1.34  |          |       | 135    | 365   |        |       | 10.64        | 1.55  | 176    | 281   | 8.19   | 1.41  |        |      |          |       | 186    | 265   | 7.73   | 1.49  | 219    | 226  | 6.58     | 1.75 | 241   | 205   | 5.98   | 1.93  | 278    | 178   | 5.18  | 2.2   |        |      |       |       |        |       |        |       |              |      |       |       | <b>7.5kW</b> |      |        |       |              |       |        |       |              |       |       |       | 4.6      | 13812 | 312    | 0.82  | F 127R87     | 4     | 8.2    | 8238 |          |       | 178.64 | 0.88 |              |       | F 107  | 4     |        |       |              |       |          |       | 4.9          | 12971 | 293    | 0.87  |        |       | 5.5      | 11598 |              |       | 262    | 0.97  | 6.4      | 10005 |        |       | 226      | 1.13  | 7.2    | 8854  |              |       |              |       |          |      | 200      | 1.27  |              |       |              |      |        |       |       |       |          |       |          |       |        |       | 3.3    | 20350 | 217.62 | 0.83  | F 157    | 8     |          |       | 9.1    | 7437  | 161.28 | 1.97  |       |       | F 97   | 4     |        |       |       |       |       |       | 4.0    | 16664 |        |       |       |       |        |       | 178.20 | 1.02  |              |       |        |       |              |       |        |       | 4.4    | 15238 |              |       | 162.96 | 1.11  | 5.1    | 13260 |              |       | 141.80 | 1.28 | 5.8      | 11702 | 125.14       | 1.45  |        |      | 6.6      | 10145 |        |       |        |       | 108.49   | 1.67  | 7.5          | 9027  |        |       | 96.53    | 1.87  | 15     | 4487  | 97.31        | 0.90  | 16     | 4186  | 90.77  | 0.97  | 17     | 4015  | 87.06    | 1.01  | 18           | 3741  | 81.13  | 1.08  | 19     | 3523  | 76.40    | 1.15  | 21           | 3229  | 70.03  | 1.25 | 22    | 3050  | 66.14        | 1.33  | 25           | 2705 | 58.65        | 1.49 | 28           | 2445  | 53.03        | 1.65 | 32       | 2072 | 44.94 | 1.95  | 37           | 1810  | 39.26    | 2.2   | 44           | 1514  | 32.83    | 2.7   | 33       | 2023  | 43.87        | 2.0  | 40     | 1704  | 36.96        | 2.4   | 43           | 1580  | 34.26  | 2.6   | 48     | 1416  | 30.70    | 2.9   |          |       |          |       |       |       |        |       |       |       |        |       |       |      |        |       |          |       |       |       |          |       |        |       |        |       |        |       |          |       |        |       |        |       |        |      |        |       |        |       |       |       |        |       |        |       |        |       |        |       |        |       |        |      |       |       |        |       |        |       |        |       |       |       |        |       |        |       |        |      |        |       |        |       |       |       |        |       |        |       |        |      |        |       |        |       |       |       |        |      |        |       |        |      |        |       |        |      |       |       |        |      |       |       |        |      |       |       |        |      |       |       |        |      |       |       |        |      |       |      |       |      |       |      |       |      |       |      |       |      |       |      |       |      |       |      |       |      |       |      |       |      |       |      |       |      |       |      |       |      |       |      |       |      |       |      |       |      |       |      |       |      |       |      |       |     |    |      |       |     |    |      |       |     |    |      |       |     |    |      |       |     |    |      |       |     |  |  |  |  |  |  |  |  |
| 342           | 144        | 4.21     | 3.3                    |             |         |               |            |          |                        |             |         |       |       |       |       |        |      | 86           | 576   | 16.81  | 0.98 | F 57         | 4    | 6.2   | 10776 |              |      | 115.24 | 1.05  |              |       | F 127  | 6     |          |       |        |       |              |       | 91     | 544   |          |       | 15.88        | 1.04  | 107      | 464   | 13.52  | 1.22  |              |       |       |       | 117      | 421   | 12.29  | 1.34  | 135          | 365   |          |       | 10.64  | 1.55  |        |       | 176          | 281   | 8.19   | 1.41  | 186    | 265   |        |      | 7.73     | 1.49  | 219    | 226   | 6.58   | 1.75  | 241    | 205  | 5.98     | 1.93 | 278   | 178   | 5.18   | 2.2   |        |       |       |       |        |      |       |       |        |       |        |       | <b>7.5kW</b> |      |       |       |              |      |        |       |              |       |        |       | 4.6          | 13812 | 312   | 0.82  | F 127R87 | 4     | 8.2    | 8238  |              |       | 178.64 | 0.88 |          |       | F 107  | 4    |              |       |        |       |        |       |              |       |          |       | 4.9          | 12971 | 293    | 0.87  |        |       | 5.5      | 11598 | 262          | 0.97  | 6.4    | 10005 | 226      | 1.13  |        |       | 7.2      | 8854  | 200    | 1.27  |              |       |              |       |          |      |          |       |              |       |              |      |        |       |       |       |          |       | 3.3      | 20350 | 217.62 | 0.83  | F 157  | 8     | 9.1    | 7437  |          |       |          |       | 161.28 | 1.97  | F 97   | 4     |       |       |        |       |        |       |       |       |       |       | 4.0    | 16664 |        |       |       |       |        |       | 178.20 | 1.02  |              |       |        |       |              |       | 4.4    | 15238 | 162.96 | 1.11  |              |       | 5.1    | 13260 | 141.80 | 1.28  | 5.8          | 11702 | 125.14 | 1.45 | 6.6      | 10145 | 108.49       | 1.67  |        |      | 7.5      | 9027  |        |       |        |       | 96.53    | 1.87  | 15           | 4487  |        |       | 97.31    | 0.90  | 16     | 4186  | 90.77        | 0.97  | 17     | 4015  | 87.06  | 1.01  | 18     | 3741  | 81.13    | 1.08  | 19           | 3523  | 76.40  | 1.15  | 21     | 3229  | 70.03    | 1.25  | 22           | 3050  | 66.14  | 1.33 | 25    | 2705  | 58.65        | 1.49  | 28           | 2445 | 53.03        | 1.65 | 32           | 2072  | 44.94        | 1.95 | 37       | 1810 | 39.26 | 2.2   | 44           | 1514  | 32.83    | 2.7   | 33           | 2023  | 43.87    | 2.0   | 40       | 1704  | 36.96        | 2.4  | 43     | 1580  | 34.26        | 2.6   | 48           | 1416  | 30.70  | 2.9   |        |       |          |       |          |       |          |       |       |       |        |       |       |       |        |       |       |      |        |       |          |       |       |       |          |       |        |       |        |       |        |       |          |       |        |       |        |       |        |      |        |       |        |       |       |       |        |       |        |       |        |       |        |       |        |       |        |      |       |       |        |       |        |       |        |       |       |       |        |       |        |       |        |      |        |       |        |       |       |       |        |       |        |       |        |      |        |       |        |       |       |       |        |      |        |       |        |      |        |       |        |      |       |       |        |      |       |       |        |      |       |       |        |      |       |       |        |      |       |       |        |      |       |      |       |      |       |      |       |      |       |      |       |      |       |      |       |      |       |      |       |      |       |      |       |      |       |      |       |      |       |      |       |      |       |      |       |      |       |      |       |      |       |      |       |      |       |      |       |     |    |      |       |     |    |      |       |     |    |      |       |     |    |      |       |     |    |      |       |     |  |  |  |  |  |  |  |  |
|               |            |          |                        |             |         |               |            |          |                        |             |         |       |       |       |       |        |      |              |       |        |      |              |      |       |       |              |      |        |       |              |       |        |       |          |       |        |       |              |       |        |       |          |       |              |       |          |       |        |       |              |       |       |       |          |       |        |       |              |       |          |       |        |       |        |       |              |       |        |       |        |       |        |      |          |       |        |       |        |       |        |      |          |      |       |       |        |       |        |       |       |       |        |      |       |       |        |       |        |       |              |      |       |       |              |      |        |       |              |       |        |       |              |       |       |       |          |       |        |       |              |       |        |      |          |       |        |      |              |       |        |       |        |       |              |       |          |       |              |       |        |       |        |       |          |       |              |       |        |       |          |       |        |       |          |       |        |       |              |       |              |       |          |      |          |       |              |       |              |      |        |       |       |       |          |       |          |       |        |       |        |       |        |       |          |       |          |       |        |       |        |       |       |       |        |       |        |       |       |       |       |       |        |       |        |       |       |       |        |       |        |       |              |       |        |       |              |       |        |       |        |       |              |       |        |       |        |       |              |       |        |      |          |       |              |       |        |      |          |       |        |       |        |       |          |       |              |       |        |       |          |       |        |       |              |       |        |       |        |       |        |       |          |       |              |       |        |       |        |       |          |       |              |       |        |      |       |       |              |       |              |      |              |      |              |       |              |      |          |      |       |       |              |       |          |       |              |       |          |       |          |       |              |      |        |       |              |       |              |       |        |       |        |       |          |       |          |       |          |       |       |       |        |       |       |       |        |       |       |      |        |       |          |       |       |       |          |       |        |       |        |       |        |       |          |       |        |       |        |       |        |      |        |       |        |       |       |       |        |       |        |       |        |       |        |       |        |       |        |      |       |       |        |       |        |       |        |       |       |       |        |       |        |       |        |      |        |       |        |       |       |       |        |       |        |       |        |      |        |       |        |       |       |       |        |      |        |       |        |      |        |       |        |      |       |       |        |      |       |       |        |      |       |       |        |      |       |       |        |      |       |       |        |      |       |      |       |      |       |      |       |      |       |      |       |      |       |      |       |      |       |      |       |      |       |      |       |      |       |      |       |      |       |      |       |      |       |      |       |      |       |      |       |      |       |      |       |      |       |      |       |     |    |      |       |     |    |      |       |     |    |      |       |     |    |      |       |     |    |      |       |     |  |  |  |  |  |  |  |  |
| 86            | 576        | 16.81    | 0.98                   | F 57        | 4       | 6.2           | 10776      | 115.24   | 1.05                   | F 127       | 6       |       |       |       |       |        |      |              |       |        |      |              |      |       |       |              |      |        |       |              |       |        |       |          |       |        |       |              |       |        |       |          |       |              |       |          |       |        |       |              |       |       |       |          |       |        |       |              |       |          |       |        |       |        |       |              |       |        |       |        |       |        |      |          |       |        |       |        |       |        |      |          |      |       |       |        |       |        |       |       |       |        |      |       |       |        |       |        |       |              |      |       |       |              |      |        |       |              |       |        |       |              |       |       |       |          |       |        |       |              |       |        |      |          |       |        |      |              |       |        |       |        |       |              |       |          |       |              |       |        |       |        |       |          |       |              |       |        |       |          |       |        |       |          |       |        |       |              |       |              |       |          |      |          |       |              |       |              |      |        |       |       |       |          |       |          |       |        |       |        |       |        |       |          |       |          |       |        |       |        |       |       |       |        |       |        |       |       |       |       |       |        |       |        |       |       |       |        |       |        |       |              |       |        |       |              |       |        |       |        |       |              |       |        |       |        |       |              |       |        |      |          |       |              |       |        |      |          |       |        |       |        |       |          |       |              |       |        |       |          |       |        |       |              |       |        |       |        |       |        |       |          |       |              |       |        |       |        |       |          |       |              |       |        |      |       |       |              |       |              |      |              |      |              |       |              |      |          |      |       |       |              |       |          |       |              |       |          |       |          |       |              |      |        |       |              |       |              |       |        |       |        |       |          |       |          |       |          |       |       |       |        |       |       |       |        |       |       |      |        |       |          |       |       |       |          |       |        |       |        |       |        |       |          |       |        |       |        |       |        |      |        |       |        |       |       |       |        |       |        |       |        |       |        |       |        |       |        |      |       |       |        |       |        |       |        |       |       |       |        |       |        |       |        |      |        |       |        |       |       |       |        |       |        |       |        |      |        |       |        |       |       |       |        |      |        |       |        |      |        |       |        |      |       |       |        |      |       |       |        |      |       |       |        |      |       |       |        |      |       |       |        |      |       |      |       |      |       |      |       |      |       |      |       |      |       |      |       |      |       |      |       |      |       |      |       |      |       |      |       |      |       |      |       |      |       |      |       |      |       |      |       |      |       |      |       |      |       |      |       |     |    |      |       |     |    |      |       |     |    |      |       |     |    |      |       |     |    |      |       |     |  |  |  |  |  |  |  |  |
| 91            | 544        | 15.88    | 1.04                   |             |         | 107           | 464        | 13.52    | 1.22                   |             |         | 117   | 421   | 12.29 | 1.34  | 135    | 365  | 10.64        | 1.55  | 176    | 281  |              |      | 8.19  | 1.41  |              |      | 186    | 265   |              |       | 7.73   | 1.49  |          |       | 219    | 226   | 6.58         | 1.75  | 241    | 205   |          |       | 5.98         | 1.93  | 278      | 178   | 5.18   | 2.2   |              |       |       |       |          |       |        |       |              |       |          |       |        |       |        |       | <b>7.5kW</b> |       |        |       |        |       |        |      |          |       |        |       | 4.6    | 13812 | 312    | 0.82 | F 127R87 | 4    | 8.2   | 8238  | 178.64 | 0.88  | F 107  | 4     | 4.9   | 12971 | 293    | 0.87 | 5.5   | 11598 | 262    | 0.97  | 6.4    | 10005 | 226          | 1.13 | 7.2   | 8854  | 200          | 1.27 |        |       |              |       |        |       |              |       |       |       |          |       | 3.3    | 20350 |              |       | 217.62 | 0.83 | F 157    | 8     |        |      | 9.1          | 7437  |        |       |        |       |              |       | 161.28   | 1.97  | F 97         | 4     | 4.0    | 16664 |        |       | 178.20   | 1.02  | 4.4          | 15238 | 162.96 | 1.11  | 5.1      | 13260 |        |       | 141.80   | 1.28  | 5.8    | 11702 | 125.14       | 1.45  | 6.6          | 10145 |          |      | 108.49   | 1.67  | 7.5          | 9027  | 96.53        | 1.87 | 15     | 4487  | 97.31 | 0.90  | 16       | 4186  | 90.77    | 0.97  | 17     | 4015  |        |       | 87.06  | 1.01  |          |       |          |       | 18     | 3741  |        |       |       |       |        |       |        |       |       |       |       |       | 81.13  | 1.08  |        |       |       |       |        |       | 19     | 3523  | 76.40        | 1.15  | 21     | 3229  |              |       | 70.03  | 1.25  | 22     | 3050  | 66.14        | 1.33  | 25     | 2705  | 58.65  | 1.49  | 28           | 2445  | 53.03  | 1.65 | 32       | 2072  | 44.94        | 1.95  | 37     | 1810 | 39.26    | 2.2   | 44     | 1514  |        |       | 32.83    | 2.7   | 33           | 2023  | 43.87  | 2.0   | 40       | 1704  | 36.96  | 2.4   | 43           | 1580  | 34.26  | 2.6   | 48     | 1416  | 30.70  | 2.9   |          |       |              |       |        |       |        |       |          |       |              |       |        |      |       |       |              |       |              |      |              |      |              |       |              |      |          |      |       |       |              |       |          |       |              |       |          |       |          |       |              |      |        |       |              |       |              |       |        |       |        |       |          |       |          |       |          |       |       |       |        |       |       |       |        |       |       |      |        |       |          |       |       |       |          |       |        |       |        |       |        |       |          |       |        |       |        |       |        |      |        |       |        |       |       |       |        |       |        |       |        |       |        |       |        |       |        |      |       |       |        |       |        |       |        |       |       |       |        |       |        |       |        |      |        |       |        |       |       |       |        |       |        |       |        |      |        |       |        |       |       |       |        |      |        |       |        |      |        |       |        |      |       |       |        |      |       |       |        |      |       |       |        |      |       |       |        |      |       |       |        |      |       |      |       |      |       |      |       |      |       |      |       |      |       |      |       |      |       |      |       |      |       |      |       |      |       |      |       |      |       |      |       |      |       |      |       |      |       |      |       |      |       |      |       |      |       |      |       |     |    |      |       |     |    |      |       |     |    |      |       |     |    |      |       |     |    |      |       |     |  |  |  |  |  |  |  |  |
| 107           | 464        | 13.52    | 1.22                   |             |         | 117           | 421        | 12.29    | 1.34                   |             |         | 135   | 365   | 10.64 | 1.55  | 176    | 281  | 8.19         | 1.41  | 186    | 265  |              |      | 7.73  | 1.49  |              |      | 219    | 226   |              |       | 6.58   | 1.75  |          |       | 241    | 205   | 5.98         | 1.93  | 278    | 178   |          |       | 5.18         | 2.2   |          |       |        |       |              |       |       |       |          |       |        |       | <b>7.5kW</b> |       |          |       |        |       |        |       |              |       |        |       | 4.6    | 13812 | 312    | 0.82 | F 127R87 | 4     | 8.2    | 8238  | 178.64 | 0.88  | F 107  | 4    |          |      | 4.9   | 12971 | 293    | 0.87  |        |       | 5.5   | 11598 | 262    | 0.97 | 6.4   | 10005 | 226    | 1.13  | 7.2    | 8854  | 200          | 1.27 |       |       |              |      |        |       |              |       |        |       |              |       | 3.3   | 20350 |          |       | 217.62 | 0.83  | F 157        | 8     | 9.1    | 7437 |          |       |        |      | 161.28       | 1.97  |        |       |        |       |              |       | F 97     | 4     |              |       | 4.0    | 16664 |        |       | 178.20   | 1.02  | 4.4          | 15238 | 162.96 | 1.11  | 5.1      | 13260 | 141.80 | 1.28  | 5.8      | 11702 | 125.14 | 1.45  | 6.6          | 10145 | 108.49       | 1.67  |          |      | 7.5      | 9027  | 96.53        | 1.87  | 15           | 4487 | 97.31  | 0.90  | 16    | 4186  | 90.77    | 0.97  | 17       | 4015  | 87.06  | 1.01  |        |       | 18     | 3741  |          |       |          |       | 81.13  | 1.08  |        |       |       |       |        |       |        |       |       |       |       |       | 19     | 3523  |        |       | 76.40 | 1.15  |        |       | 21     | 3229  | 70.03        | 1.25  | 22     | 3050  | 66.14        | 1.33  | 25     | 2705  | 58.65  | 1.49  | 28           | 2445  | 53.03  | 1.65  | 32     | 2072  | 44.94        | 1.95  | 37     | 1810 | 39.26    | 2.2   | 44           | 1514  | 32.83  | 2.7  | 33       | 2023  | 43.87  | 2.0   |        |       | 40       | 1704  | 36.96        | 2.4   | 43     | 1580  | 34.26    | 2.6   | 48     | 1416  | 30.70        | 2.9   |        |       |        |       |        |       |          |       |              |       |        |       |        |       |          |       |              |       |        |      |       |       |              |       |              |      |              |      |              |       |              |      |          |      |       |       |              |       |          |       |              |       |          |       |          |       |              |      |        |       |              |       |              |       |        |       |        |       |          |       |          |       |          |       |       |       |        |       |       |       |        |       |       |      |        |       |          |       |       |       |          |       |        |       |        |       |        |       |          |       |        |       |        |       |        |      |        |       |        |       |       |       |        |       |        |       |        |       |        |       |        |       |        |      |       |       |        |       |        |       |        |       |       |       |        |       |        |       |        |      |        |       |        |       |       |       |        |       |        |       |        |      |        |       |        |       |       |       |        |      |        |       |        |      |        |       |        |      |       |       |        |      |       |       |        |      |       |       |        |      |       |       |        |      |       |       |        |      |       |      |       |      |       |      |       |      |       |      |       |      |       |      |       |      |       |      |       |      |       |      |       |      |       |      |       |      |       |      |       |      |       |      |       |      |       |      |       |      |       |      |       |      |       |      |       |     |    |      |       |     |    |      |       |     |    |      |       |     |    |      |       |     |    |      |       |     |  |  |  |  |  |  |  |  |
| 117           | 421        | 12.29    | 1.34                   |             |         | 135           | 365        | 10.64    | 1.55                   | 176         | 281     | 8.19  | 1.41  | 186   | 265   | 7.73   | 1.49 | 219          | 226   | 6.58   | 1.75 |              |      | 241   | 205   |              |      | 5.98   | 1.93  |              |       | 278    | 178   |          |       | 5.18   | 2.2   |              |       |        |       |          |       |              |       |          |       |        |       | <b>7.5kW</b> |       |       |       |          |       |        |       |              |       |          |       | 4.6    | 13812 | 312    | 0.82  | F 127R87     | 4     | 8.2    | 8238  | 178.64 | 0.88  | F 107  | 4    |          |       | 4.9    | 12971 | 293    | 0.87  |        |      |          |      | 5.5   | 11598 | 262    | 0.97  |        |       | 6.4   | 10005 | 226    | 1.13 | 7.2   | 8854  | 200    | 1.27  |        |       |              |      |       |       |              |      |        |       |              |       | 3.3    | 20350 | 217.62       | 0.83  | F 157 | 8     | 9.1      | 7437  | 161.28 | 1.97  |              |       | F 97   | 4    |          |       |        |      | 4.0          | 16664 |        |       |        |       |              |       |          |       |              |       | 178.20 | 1.02  |        |       | 4.4      | 15238 | 162.96       | 1.11  | 5.1    | 13260 | 141.80   | 1.28  | 5.8    | 11702 | 125.14   | 1.45  | 6.6    | 10145 | 108.49       | 1.67  | 7.5          | 9027  | 96.53    | 1.87 | 15       | 4487  | 97.31        | 0.90  | 16           | 4186 | 90.77  | 0.97  | 17    | 4015  | 87.06    | 1.01  | 18       | 3741  | 81.13  | 1.08  |        |       | 19     | 3523  |          |       |          |       | 76.40  | 1.15  |        |       |       |       |        |       |        |       |       |       |       |       | 21     | 3229  |        |       | 70.03 | 1.25  | 22     | 3050  | 66.14  | 1.33  | 25           | 2705  | 58.65  | 1.49  | 28           | 2445  | 53.03  | 1.65  | 32     | 2072  | 44.94        | 1.95  | 37     | 1810  | 39.26  | 2.2   | 44           | 1514  | 32.83  | 2.7  | 33       | 2023  | 43.87        | 2.0   | 40     | 1704 | 36.96    | 2.4   | 43     | 1580  | 34.26  | 2.6   | 48       | 1416  | 30.70        | 2.9   |        |       |          |       |        |       |              |       |        |       |        |       |        |       |          |       |              |       |        |       |        |       |          |       |              |       |        |      |       |       |              |       |              |      |              |      |              |       |              |      |          |      |       |       |              |       |          |       |              |       |          |       |          |       |              |      |        |       |              |       |              |       |        |       |        |       |          |       |          |       |          |       |       |       |        |       |       |       |        |       |       |      |        |       |          |       |       |       |          |       |        |       |        |       |        |       |          |       |        |       |        |       |        |      |        |       |        |       |       |       |        |       |        |       |        |       |        |       |        |       |        |      |       |       |        |       |        |       |        |       |       |       |        |       |        |       |        |      |        |       |        |       |       |       |        |       |        |       |        |      |        |       |        |       |       |       |        |      |        |       |        |      |        |       |        |      |       |       |        |      |       |       |        |      |       |       |        |      |       |       |        |      |       |       |        |      |       |      |       |      |       |      |       |      |       |      |       |      |       |      |       |      |       |      |       |      |       |      |       |      |       |      |       |      |       |      |       |      |       |      |       |      |       |      |       |      |       |      |       |      |       |      |       |     |    |      |       |     |    |      |       |     |    |      |       |     |    |      |       |     |    |      |       |     |  |  |  |  |  |  |  |  |
| 135           | 365        | 10.64    | 1.55                   |             |         | 176           | 281        | 8.19     | 1.41                   | 186         | 265     | 7.73  | 1.49  | 219   | 226   | 6.58   | 1.75 | 241          | 205   | 5.98   | 1.93 |              |      | 278   | 178   |              |      | 5.18   | 2.2   |              |       |        |       |          |       |        |       |              |       |        |       |          |       | <b>7.5kW</b> |       |          |       |        |       |              |       |       |       |          |       | 4.6    | 13812 | 312          | 0.82  | F 127R87 | 4     | 8.2    | 8238  | 178.64 | 0.88  |              |       | F 107  | 4     | 4.9    | 12971 |        |      |          |       | 293    | 0.87  | 5.5    | 11598 |        |      |          |      | 262   | 0.97  | 6.4    | 10005 |        |       | 226   | 1.13  | 7.2    | 8854 | 200   | 1.27  |        |       |        |       |              |      |       |       |              |      |        |       | 3.3          | 20350 | 217.62 | 0.83  | F 157        | 8     |       |       | 9.1      | 7437  | 161.28 | 1.97  |              |       |        |      |          |       |        |      | F 97         | 4     |        |       |        |       |              |       |          |       |              |       | 4.0    | 16664 | 178.20 | 1.02  | 4.4      | 15238 | 162.96       | 1.11  | 5.1    | 13260 | 141.80   | 1.28  | 5.8    | 11702 | 125.14   | 1.45  | 6.6    | 10145 | 108.49       | 1.67  | 7.5          | 9027  | 96.53    | 1.87 | 15       | 4487  | 97.31        | 0.90  | 16           | 4186 | 90.77  | 0.97  | 17    | 4015  | 87.06    | 1.01  | 18       | 3741  | 81.13  | 1.08  |        |       | 19     | 3523  |          |       |          |       | 76.40  | 1.15  |        |       |       |       |        |       |        |       | 21    | 3229  |       |       | 70.03  | 1.25  | 22     | 3050  | 66.14 | 1.33  | 25     | 2705  | 58.65  | 1.49  | 28           | 2445  | 53.03  | 1.65  | 32           | 2072  | 44.94  | 1.95  | 37     | 1810  | 39.26        | 2.2   | 44     | 1514  | 32.83  | 2.7   | 33           | 2023  | 43.87  | 2.0  | 40       | 1704  | 36.96        | 2.4   | 43     | 1580 | 34.26    | 2.6   | 48     | 1416  | 30.70  | 2.9   |          |       |              |       |        |       |          |       |        |       |              |       |        |       |        |       |        |       |          |       |              |       |        |       |        |       |          |       |              |       |        |      |       |       |              |       |              |      |              |      |              |       |              |      |          |      |       |       |              |       |          |       |              |       |          |       |          |       |              |      |        |       |              |       |              |       |        |       |        |       |          |       |          |       |          |       |       |       |        |       |       |       |        |       |       |      |        |       |          |       |       |       |          |       |        |       |        |       |        |       |          |       |        |       |        |       |        |      |        |       |        |       |       |       |        |       |        |       |        |       |        |       |        |       |        |      |       |       |        |       |        |       |        |       |       |       |        |       |        |       |        |      |        |       |        |       |       |       |        |       |        |       |        |      |        |       |        |       |       |       |        |      |        |       |        |      |        |       |        |      |       |       |        |      |       |       |        |      |       |       |        |      |       |       |        |      |       |       |        |      |       |      |       |      |       |      |       |      |       |      |       |      |       |      |       |      |       |      |       |      |       |      |       |      |       |      |       |      |       |      |       |      |       |      |       |      |       |      |       |      |       |      |       |      |       |      |       |     |    |      |       |     |    |      |       |     |    |      |       |     |    |      |       |     |    |      |       |     |  |  |  |  |  |  |  |  |
| 176           | 281        | 8.19     | 1.41                   |             |         | 186           | 265        | 7.73     | 1.49                   | 219         | 226     | 6.58  | 1.75  | 241   | 205   | 5.98   | 1.93 | 278          | 178   | 5.18   | 2.2  |              |      |       |       |              |      |        |       |              |       |        |       |          |       |        |       | <b>7.5kW</b> |       |        |       |          |       |              |       |          |       |        |       | 4.6          | 13812 | 312   | 0.82  | F 127R87 | 4     | 8.2    | 8238  | 178.64       | 0.88  |          |       | F 107  | 4     | 4.9    | 12971 |              |       |        |       | 293    | 0.87  |        |      |          |       | 5.5    | 11598 | 262    | 0.97  |        |      |          |      | 6.4   | 10005 | 226    | 1.13  |        |       | 7.2   | 8854  | 200    | 1.27 |       |       |        |       |        |       |              |      |       |       |              |      | 3.3    | 20350 | 217.62       | 0.83  | F 157  | 8     |              |       |       |       | 9.1      | 7437  | 161.28 | 1.97  |              |       |        |      |          |       |        |      |              |       |        |       |        |       | F 97         | 4     |          |       |              |       | 4.0    | 16664 | 178.20 | 1.02  | 4.4      | 15238 | 162.96       | 1.11  | 5.1    | 13260 | 141.80   | 1.28  | 5.8    | 11702 | 125.14   | 1.45  | 6.6    | 10145 | 108.49       | 1.67  | 7.5          | 9027  | 96.53    | 1.87 | 15       | 4487  | 97.31        | 0.90  | 16           | 4186 | 90.77  | 0.97  | 17    | 4015  | 87.06    | 1.01  | 18       | 3741  | 81.13  | 1.08  |        |       | 19     | 3523  |          |       |          |       | 76.40  | 1.15  |        |       | 21    | 3229  |        |       |        |       | 70.03 | 1.25  | 22    | 3050  | 66.14  | 1.33  | 25     | 2705  | 58.65 | 1.49  | 28     | 2445  | 53.03  | 1.65  | 32           | 2072  | 44.94  | 1.95  | 37           | 1810  | 39.26  | 2.2   | 44     | 1514  | 32.83        | 2.7   | 33     | 2023  | 43.87  | 2.0   | 40           | 1704  | 36.96  | 2.4  | 43       | 1580  | 34.26        | 2.6   | 48     | 1416 | 30.70    | 2.9   |        |       |        |       |          |       |              |       |        |       |          |       |        |       |              |       |        |       |        |       |        |       |          |       |              |       |        |       |        |       |          |       |              |       |        |      |       |       |              |       |              |      |              |      |              |       |              |      |          |      |       |       |              |       |          |       |              |       |          |       |          |       |              |      |        |       |              |       |              |       |        |       |        |       |          |       |          |       |          |       |       |       |        |       |       |       |        |       |       |      |        |       |          |       |       |       |          |       |        |       |        |       |        |       |          |       |        |       |        |       |        |      |        |       |        |       |       |       |        |       |        |       |        |       |        |       |        |       |        |      |       |       |        |       |        |       |        |       |       |       |        |       |        |       |        |      |        |       |        |       |       |       |        |       |        |       |        |      |        |       |        |       |       |       |        |      |        |       |        |      |        |       |        |      |       |       |        |      |       |       |        |      |       |       |        |      |       |       |        |      |       |       |        |      |       |      |       |      |       |      |       |      |       |      |       |      |       |      |       |      |       |      |       |      |       |      |       |      |       |      |       |      |       |      |       |      |       |      |       |      |       |      |       |      |       |      |       |      |       |      |       |     |    |      |       |     |    |      |       |     |    |      |       |     |    |      |       |     |    |      |       |     |  |  |  |  |  |  |  |  |
| 186           | 265        | 7.73     | 1.49                   |             |         | 219           | 226        | 6.58     | 1.75                   | 241         | 205     | 5.98  | 1.93  | 278   | 178   | 5.18   | 2.2  |              |       |        |      |              |      |       |       |              |      |        |       | <b>7.5kW</b> |       |        |       |          |       |        |       |              |       |        |       | 4.6      | 13812 | 312          | 0.82  | F 127R87 | 4     | 8.2    | 8238  | 178.64       | 0.88  | F 107 | 4     |          |       | 4.9    | 12971 | 293          | 0.87  |          |       |        |       | 5.5    | 11598 |              |       |        |       | 262    | 0.97  |        |      |          |       | 6.4    | 10005 | 226    | 1.13  |        |      | 7.2      | 8854 | 200   | 1.27  |        |       |        |       |       |       |        |      |       |       |        |       | 3.3    | 20350 | 217.62       | 0.83 | F 157 | 8     | 9.1          | 7437 | 161.28 | 1.97  | F 97         | 4     |        |       |              |       |       |       | 4.0      | 16664 | 178.20 | 1.02  |              |       |        |      |          |       |        |      |              |       |        |       | 4.4    | 15238 |              |       |          |       |              |       | 162.96 | 1.11  | 5.1    | 13260 | 141.80   | 1.28  | 5.8          | 11702 | 125.14 | 1.45  | 6.6      | 10145 | 108.49 | 1.67  | 7.5      | 9027  | 96.53  | 1.87  | 15           | 4487  | 97.31        | 0.90  | 16       | 4186 | 90.77    | 0.97  | 17           | 4015  | 87.06        | 1.01 | 18     | 3741  | 81.13 | 1.08  | 19       | 3523  | 76.40    | 1.15  | 21     | 3229  |        |       | 70.03  | 1.25  |          |       | 22       | 3050  | 66.14  | 1.33  |        |       | 25    | 2705  |        |       | 58.65  | 1.49  | 28    | 2445  | 53.03 | 1.65  | 32     | 2072  | 44.94  | 1.95  | 37    | 1810  | 39.26  | 2.2   | 44     | 1514  | 32.83        | 2.7   | 33     | 2023  | 43.87        | 2.0   | 40     | 1704  | 36.96  | 2.4   | 43           | 1580  | 34.26  | 2.6   | 48     | 1416  | 30.70        | 2.9   |        |      |          |       |              |       |        |      |          |       |        |       |        |       |          |       |              |       |        |       |          |       |        |       |              |       |        |       |        |       |        |       |          |       |              |       |        |       |        |       |          |       |              |       |        |      |       |       |              |       |              |      |              |      |              |       |              |      |          |      |       |       |              |       |          |       |              |       |          |       |          |       |              |      |        |       |              |       |              |       |        |       |        |       |          |       |          |       |          |       |       |       |        |       |       |       |        |       |       |      |        |       |          |       |       |       |          |       |        |       |        |       |        |       |          |       |        |       |        |       |        |      |        |       |        |       |       |       |        |       |        |       |        |       |        |       |        |       |        |      |       |       |        |       |        |       |        |       |       |       |        |       |        |       |        |      |        |       |        |       |       |       |        |       |        |       |        |      |        |       |        |       |       |       |        |      |        |       |        |      |        |       |        |      |       |       |        |      |       |       |        |      |       |       |        |      |       |       |        |      |       |       |        |      |       |      |       |      |       |      |       |      |       |      |       |      |       |      |       |      |       |      |       |      |       |      |       |      |       |      |       |      |       |      |       |      |       |      |       |      |       |      |       |      |       |      |       |      |       |      |       |     |    |      |       |     |    |      |       |     |    |      |       |     |    |      |       |     |    |      |       |     |  |  |  |  |  |  |  |  |
| 219           | 226        | 6.58     | 1.75                   |             |         | 241           | 205        | 5.98     | 1.93                   | 278         | 178     | 5.18  | 2.2   |       |       |        |      |              |       |        |      |              |      |       |       | <b>7.5kW</b> |      |        |       |              |       |        |       |          |       |        |       | 4.6          | 13812 | 312    | 0.82  | F 127R87 | 4     | 8.2          | 8238  |          |       | 178.64 | 0.88  | F 107        | 4     |       |       |          |       | 4.9    | 12971 | 293          | 0.87  |          |       |        |       | 5.5    | 11598 |              |       |        |       | 262    | 0.97  |        |      | 6.4      | 10005 | 226    | 1.13  | 7.2    | 8854  |        |      | 200      | 1.27 |       |       |        |       |        |       |       |       |        |      |       |       | 3.3    | 20350 | 217.62 | 0.83  | F 157        | 8    |       |       | 9.1          | 7437 | 161.28 | 1.97  |              |       |        |       |              |       |       |       | F 97     | 4     | 4.0    | 16664 |              |       |        |      |          |       |        |      |              |       | 178.20 | 1.02  | 4.4    | 15238 |              |       |          |       |              |       | 162.96 | 1.11  | 5.1    | 13260 | 141.80   | 1.28  | 5.8          | 11702 | 125.14 | 1.45  | 6.6      | 10145 | 108.49 | 1.67  | 7.5      | 9027  | 96.53  | 1.87  | 15           | 4487  | 97.31        | 0.90  | 16       | 4186 | 90.77    | 0.97  | 17           | 4015  | 87.06        | 1.01 | 18     | 3741  | 81.13 | 1.08  | 19       | 3523  | 76.40    | 1.15  | 21     | 3229  |        |       | 70.03  | 1.25  | 22       | 3050  | 66.14    | 1.33  | 25     | 2705  |        |       | 58.65 | 1.49  | 28     | 2445  | 53.03  | 1.65  | 32    | 2072  | 44.94 | 1.95  | 37     | 1810  | 39.26  | 2.2   | 44    | 1514  | 32.83  | 2.7   | 33     | 2023  | 43.87        | 2.0   | 40     | 1704  | 36.96        | 2.4   | 43     | 1580  | 34.26  | 2.6   | 48           | 1416  | 30.70  | 2.9   |        |       |              |       |        |      |          |       |              |       |        |      |          |       |        |       |        |       |          |       |              |       |        |       |          |       |        |       |              |       |        |       |        |       |        |       |          |       |              |       |        |       |        |       |          |       |              |       |        |      |       |       |              |       |              |      |              |      |              |       |              |      |          |      |       |       |              |       |          |       |              |       |          |       |          |       |              |      |        |       |              |       |              |       |        |       |        |       |          |       |          |       |          |       |       |       |        |       |       |       |        |       |       |      |        |       |          |       |       |       |          |       |        |       |        |       |        |       |          |       |        |       |        |       |        |      |        |       |        |       |       |       |        |       |        |       |        |       |        |       |        |       |        |      |       |       |        |       |        |       |        |       |       |       |        |       |        |       |        |      |        |       |        |       |       |       |        |       |        |       |        |      |        |       |        |       |       |       |        |      |        |       |        |      |        |       |        |      |       |       |        |      |       |       |        |      |       |       |        |      |       |       |        |      |       |       |        |      |       |      |       |      |       |      |       |      |       |      |       |      |       |      |       |      |       |      |       |      |       |      |       |      |       |      |       |      |       |      |       |      |       |      |       |      |       |      |       |      |       |      |       |      |       |      |       |     |    |      |       |     |    |      |       |     |    |      |       |     |    |      |       |     |    |      |       |     |  |  |  |  |  |  |  |  |
| 241           | 205        | 5.98     | 1.93                   |             |         | 278           | 178        | 5.18     | 2.2                    |             |         |       |       |       |       |        |      |              |       |        |      | <b>7.5kW</b> |      |       |       |              |      |        |       |              |       |        |       | 4.6      | 13812 | 312    | 0.82  | F 127R87     | 4     | 8.2    | 8238  |          |       | 178.64       | 0.88  |          |       | F 107  | 4     |              |       |       |       |          |       | 4.9    | 12971 | 293          | 0.87  |          |       |        |       | 5.5    | 11598 | 262          | 0.97  |        |       | 6.4    | 10005 |        |      | 226      | 1.13  | 7.2    | 8854  | 200    | 1.27  |        |      |          |      |       |       |        |       |        |       |       |       |        |      |       |       | 3.3    | 20350 | 217.62 | 0.83  |              |      |       |       | F 157        | 8    | 9.1    | 7437  |              |       |        |       |              |       |       |       |          |       | 161.28 | 1.97  |              |       |        |      |          |       | F 97   | 4    |              |       | 4.0    | 16664 | 178.20 | 1.02  |              |       |          |       |              |       | 4.4    | 15238 | 162.96 | 1.11  | 5.1      | 13260 | 141.80       | 1.28  | 5.8    | 11702 | 125.14   | 1.45  | 6.6    | 10145 | 108.49   | 1.67  | 7.5    | 9027  | 96.53        | 1.87  | 15           | 4487  | 97.31    | 0.90 | 16       | 4186  | 90.77        | 0.97  | 17           | 4015 | 87.06  | 1.01  | 18    | 3741  | 81.13    | 1.08  | 19       | 3523  | 76.40  | 1.15  | 21     | 3229  | 70.03  | 1.25  | 22       | 3050  | 66.14    | 1.33  | 25     | 2705  | 58.65  | 1.49  | 28    | 2445  | 53.03  | 1.65  | 32     | 2072  | 44.94 | 1.95  | 37    | 1810  | 39.26  | 2.2   | 44     | 1514  | 32.83 | 2.7   | 33     | 2023  | 43.87  | 2.0   | 40           | 1704  | 36.96  | 2.4   | 43           | 1580  | 34.26  | 2.6   | 48     | 1416  | 30.70        | 2.9   |        |       |        |       |              |       |        |      |          |       |              |       |        |      |          |       |        |       |        |       |          |       |              |       |        |       |          |       |        |       |              |       |        |       |        |       |        |       |          |       |              |       |        |       |        |       |          |       |              |       |        |      |       |       |              |       |              |      |              |      |              |       |              |      |          |      |       |       |              |       |          |       |              |       |          |       |          |       |              |      |        |       |              |       |              |       |        |       |        |       |          |       |          |       |          |       |       |       |        |       |       |       |        |       |       |      |        |       |          |       |       |       |          |       |        |       |        |       |        |       |          |       |        |       |        |       |        |      |        |       |        |       |       |       |        |       |        |       |        |       |        |       |        |       |        |      |       |       |        |       |        |       |        |       |       |       |        |       |        |       |        |      |        |       |        |       |       |       |        |       |        |       |        |      |        |       |        |       |       |       |        |      |        |       |        |      |        |       |        |      |       |       |        |      |       |       |        |      |       |       |        |      |       |       |        |      |       |       |        |      |       |      |       |      |       |      |       |      |       |      |       |      |       |      |       |      |       |      |       |      |       |      |       |      |       |      |       |      |       |      |       |      |       |      |       |      |       |      |       |      |       |      |       |      |       |      |       |     |    |      |       |     |    |      |       |     |    |      |       |     |    |      |       |     |    |      |       |     |  |  |  |  |  |  |  |  |
| 278           | 178        | 5.18     | 2.2                    |             |         |               |            |          |                        |             |         |       |       |       |       |        |      | <b>7.5kW</b> |       |        |      |              |      |       |       |              |      |        |       | 4.6          | 13812 | 312    | 0.82  | F 127R87 | 4     | 8.2    | 8238  |              |       | 178.64 | 0.88  |          |       | F 107        | 4     |          |       |        |       |              |       |       |       |          |       | 4.9    | 12971 | 293          | 0.87  | 5.5      | 11598 |        |       | 262    | 0.97  | 6.4          | 10005 |        |       | 226    | 1.13  |        |      | 7.2      | 8854  | 200    | 1.27  |        |       |        |      |          |      |       |       |        |       |        |       | 3.3   | 20350 | 217.62 | 0.83 | F 157 | 8     | 9.1    | 7437  | 161.28 | 1.97  |              |      |       |       |              |      | F 97   | 4     |              |       |        |       |              |       |       |       |          |       | 4.0    | 16664 |              |       |        |      |          |       |        |      |              |       | 178.20 | 1.02  | 4.4    | 15238 |              |       |          |       |              |       | 162.96 | 1.11  | 5.1    | 13260 | 141.80   | 1.28  | 5.8          | 11702 | 125.14 | 1.45  | 6.6      | 10145 | 108.49 | 1.67  | 7.5      | 9027  | 96.53  | 1.87  | 15           | 4487  | 97.31        | 0.90  | 16       | 4186 | 90.77    | 0.97  | 17           | 4015  | 87.06        | 1.01 | 18     | 3741  | 81.13 | 1.08  | 19       | 3523  | 76.40    | 1.15  | 21     | 3229  | 70.03  | 1.25  | 22     | 3050  | 66.14    | 1.33  | 25       | 2705  | 58.65  | 1.49  | 28     | 2445  | 53.03 | 1.65  | 32     | 2072  | 44.94  | 1.95  | 37    | 1810  | 39.26 | 2.2   | 44     | 1514  | 32.83  | 2.7   | 33    | 2023  | 43.87  | 2.0   | 40     | 1704  | 36.96        | 2.4   | 43     | 1580  | 34.26        | 2.6   | 48     | 1416  | 30.70  | 2.9   |              |       |        |       |        |       |              |       |        |      |          |       |              |       |        |      |          |       |        |       |        |       |          |       |              |       |        |       |          |       |        |       |              |       |        |       |        |       |        |       |          |       |              |       |        |       |        |       |          |       |              |       |        |      |       |       |              |       |              |      |              |      |              |       |              |      |          |      |       |       |              |       |          |       |              |       |          |       |          |       |              |      |        |       |              |       |              |       |        |       |        |       |          |       |          |       |          |       |       |       |        |       |       |       |        |       |       |      |        |       |          |       |       |       |          |       |        |       |        |       |        |       |          |       |        |       |        |       |        |      |        |       |        |       |       |       |        |       |        |       |        |       |        |       |        |       |        |      |       |       |        |       |        |       |        |       |       |       |        |       |        |       |        |      |        |       |        |       |       |       |        |       |        |       |        |      |        |       |        |       |       |       |        |      |        |       |        |      |        |       |        |      |       |       |        |      |       |       |        |      |       |       |        |      |       |       |        |      |       |       |        |      |       |      |       |      |       |      |       |      |       |      |       |      |       |      |       |      |       |      |       |      |       |      |       |      |       |      |       |      |       |      |       |      |       |      |       |      |       |      |       |      |       |      |       |      |       |      |       |     |    |      |       |     |    |      |       |     |    |      |       |     |    |      |       |     |    |      |       |     |  |  |  |  |  |  |  |  |
|               |            |          |                        |             |         |               |            |          |                        |             |         |       |       |       |       |        |      |              |       |        |      |              |      |       |       |              |      |        |       |              |       |        |       |          |       |        |       |              |       |        |       |          |       |              |       |          |       |        |       |              |       |       |       |          |       |        |       |              |       |          |       |        |       |        |       |              |       |        |       |        |       |        |      |          |       |        |       |        |       |        |      |          |      |       |       |        |       |        |       |       |       |        |      |       |       |        |       |        |       |              |      |       |       |              |      |        |       |              |       |        |       |              |       |       |       |          |       |        |       |              |       |        |      |          |       |        |      |              |       |        |       |        |       |              |       |          |       |              |       |        |       |        |       |          |       |              |       |        |       |          |       |        |       |          |       |        |       |              |       |              |       |          |      |          |       |              |       |              |      |        |       |       |       |          |       |          |       |        |       |        |       |        |       |          |       |          |       |        |       |        |       |       |       |        |       |        |       |       |       |       |       |        |       |        |       |       |       |        |       |        |       |              |       |        |       |              |       |        |       |        |       |              |       |        |       |        |       |              |       |        |      |          |       |              |       |        |      |          |       |        |       |        |       |          |       |              |       |        |       |          |       |        |       |              |       |        |       |        |       |        |       |          |       |              |       |        |       |        |       |          |       |              |       |        |      |       |       |              |       |              |      |              |      |              |       |              |      |          |      |       |       |              |       |          |       |              |       |          |       |          |       |              |      |        |       |              |       |              |       |        |       |        |       |          |       |          |       |          |       |       |       |        |       |       |       |        |       |       |      |        |       |          |       |       |       |          |       |        |       |        |       |        |       |          |       |        |       |        |       |        |      |        |       |        |       |       |       |        |       |        |       |        |       |        |       |        |       |        |      |       |       |        |       |        |       |        |       |       |       |        |       |        |       |        |      |        |       |        |       |       |       |        |       |        |       |        |      |        |       |        |       |       |       |        |      |        |       |        |      |        |       |        |      |       |       |        |      |       |       |        |      |       |       |        |      |       |       |        |      |       |       |        |      |       |      |       |      |       |      |       |      |       |      |       |      |       |      |       |      |       |      |       |      |       |      |       |      |       |      |       |      |       |      |       |      |       |      |       |      |       |      |       |      |       |      |       |      |       |      |       |     |    |      |       |     |    |      |       |     |    |      |       |     |    |      |       |     |    |      |       |     |  |  |  |  |  |  |  |  |
| <b>7.5kW</b>  |            |          |                        |             |         |               |            |          |                        |             |         |       |       |       |       |        |      |              |       |        |      |              |      |       |       |              |      |        |       |              |       |        |       |          |       |        |       |              |       |        |       |          |       |              |       |          |       |        |       |              |       |       |       |          |       |        |       |              |       |          |       |        |       |        |       |              |       |        |       |        |       |        |      |          |       |        |       |        |       |        |      |          |      |       |       |        |       |        |       |       |       |        |      |       |       |        |       |        |       |              |      |       |       |              |      |        |       |              |       |        |       |              |       |       |       |          |       |        |       |              |       |        |      |          |       |        |      |              |       |        |       |        |       |              |       |          |       |              |       |        |       |        |       |          |       |              |       |        |       |          |       |        |       |          |       |        |       |              |       |              |       |          |      |          |       |              |       |              |      |        |       |       |       |          |       |          |       |        |       |        |       |        |       |          |       |          |       |        |       |        |       |       |       |        |       |        |       |       |       |       |       |        |       |        |       |       |       |        |       |        |       |              |       |        |       |              |       |        |       |        |       |              |       |        |       |        |       |              |       |        |      |          |       |              |       |        |      |          |       |        |       |        |       |          |       |              |       |        |       |          |       |        |       |              |       |        |       |        |       |        |       |          |       |              |       |        |       |        |       |          |       |              |       |        |      |       |       |              |       |              |      |              |      |              |       |              |      |          |      |       |       |              |       |          |       |              |       |          |       |          |       |              |      |        |       |              |       |              |       |        |       |        |       |          |       |          |       |          |       |       |       |        |       |       |       |        |       |       |      |        |       |          |       |       |       |          |       |        |       |        |       |        |       |          |       |        |       |        |       |        |      |        |       |        |       |       |       |        |       |        |       |        |       |        |       |        |       |        |      |       |       |        |       |        |       |        |       |       |       |        |       |        |       |        |      |        |       |        |       |       |       |        |       |        |       |        |      |        |       |        |       |       |       |        |      |        |       |        |      |        |       |        |      |       |       |        |      |       |       |        |      |       |       |        |      |       |       |        |      |       |       |        |      |       |      |       |      |       |      |       |      |       |      |       |      |       |      |       |      |       |      |       |      |       |      |       |      |       |      |       |      |       |      |       |      |       |      |       |      |       |      |       |      |       |      |       |      |       |      |       |     |    |      |       |     |    |      |       |     |    |      |       |     |    |      |       |     |    |      |       |     |  |  |  |  |  |  |  |  |
| 4.6           | 13812      | 312      | 0.82                   | F 127R87    | 4       | 8.2           | 8238       | 178.64   | 0.88                   | F 107       | 4       |       |       |       |       |        |      |              |       |        |      |              |      |       |       |              |      |        |       |              |       |        |       |          |       |        |       |              |       |        |       |          |       |              |       |          |       |        |       |              |       |       |       |          |       |        |       |              |       |          |       |        |       |        |       |              |       |        |       |        |       |        |      |          |       |        |       |        |       |        |      |          |      |       |       |        |       |        |       |       |       |        |      |       |       |        |       |        |       |              |      |       |       |              |      |        |       |              |       |        |       |              |       |       |       |          |       |        |       |              |       |        |      |          |       |        |      |              |       |        |       |        |       |              |       |          |       |              |       |        |       |        |       |          |       |              |       |        |       |          |       |        |       |          |       |        |       |              |       |              |       |          |      |          |       |              |       |              |      |        |       |       |       |          |       |          |       |        |       |        |       |        |       |          |       |          |       |        |       |        |       |       |       |        |       |        |       |       |       |       |       |        |       |        |       |       |       |        |       |        |       |              |       |        |       |              |       |        |       |        |       |              |       |        |       |        |       |              |       |        |      |          |       |              |       |        |      |          |       |        |       |        |       |          |       |              |       |        |       |          |       |        |       |              |       |        |       |        |       |        |       |          |       |              |       |        |       |        |       |          |       |              |       |        |      |       |       |              |       |              |      |              |      |              |       |              |      |          |      |       |       |              |       |          |       |              |       |          |       |          |       |              |      |        |       |              |       |              |       |        |       |        |       |          |       |          |       |          |       |       |       |        |       |       |       |        |       |       |      |        |       |          |       |       |       |          |       |        |       |        |       |        |       |          |       |        |       |        |       |        |      |        |       |        |       |       |       |        |       |        |       |        |       |        |       |        |       |        |      |       |       |        |       |        |       |        |       |       |       |        |       |        |       |        |      |        |       |        |       |       |       |        |       |        |       |        |      |        |       |        |       |       |       |        |      |        |       |        |      |        |       |        |      |       |       |        |      |       |       |        |      |       |       |        |      |       |       |        |      |       |       |        |      |       |      |       |      |       |      |       |      |       |      |       |      |       |      |       |      |       |      |       |      |       |      |       |      |       |      |       |      |       |      |       |      |       |      |       |      |       |      |       |      |       |      |       |      |       |      |       |     |    |      |       |     |    |      |       |     |    |      |       |     |    |      |       |     |    |      |       |     |  |  |  |  |  |  |  |  |
| 4.9           | 12971      | 293      | 0.87                   |             |         | 5.5           | 11598      | 262      | 0.97                   |             |         | 6.4   | 10005 | 226   | 1.13  | 7.2    | 8854 | 200          | 1.27  |        |      |              |      |       |       |              |      |        |       |              |       | 3.3    | 20350 |          |       | 217.62 | 0.83  | F 157        | 8     | 9.1    | 7437  | 161.28   | 1.97  |              |       | F 97     | 4     |        |       |              |       |       |       | 4.0      | 16664 | 178.20 | 1.02  | 4.4          | 15238 | 162.96   | 1.11  |        |       | 5.1    | 13260 | 141.80       | 1.28  |        |       | 5.8    | 11702 | 125.14 | 1.45 | 6.6      | 10145 | 108.49 | 1.67  | 7.5    | 9027  | 96.53  | 1.87 | 15       | 4487 | 97.31 | 0.90  | 16     | 4186  | 90.77  | 0.97  | 17    | 4015  | 87.06  | 1.01 |       |       | 18     | 3741  | 81.13  | 1.08  |              |      |       |       |              |      |        |       |              |       |        |       |              |       | 19    | 3523  |          |       | 76.40  | 1.15  | 21           | 3229  | 70.03  | 1.25 | 22       | 3050  |        |      |              |       | 66.14  | 1.33  | 25     | 2705  |              |       | 58.65    | 1.49  | 28           | 2445  | 53.03  | 1.65  | 32     | 2072  | 44.94    | 1.95  | 37           | 1810  | 39.26  | 2.2   | 44       | 1514  | 32.83  | 2.7   | 33       | 2023  | 43.87  | 2.0   | 40           | 1704  | 36.96        | 2.4   | 43       | 1580 | 34.26    | 2.6   | 48           | 1416  | 30.70        | 2.9  |        |       |       |       |          |       |          |       |        |       |        |       |        |       |          |       |          |       |        |       |        |       |       |       |        |       |        |       |       |       |       |       |        |       |        |       |       |       |        |       |        |       |              |       |        |       |              |       |        |       |        |       |              |       |        |       |        |       |              |       |        |      |          |       |              |       |        |      |          |       |        |       |        |       |          |       |              |       |        |       |          |       |        |       |              |       |        |       |        |       |        |       |          |       |              |       |        |       |        |       |          |       |              |       |        |      |       |       |              |       |              |      |              |      |              |       |              |      |          |      |       |       |              |       |          |       |              |       |          |       |          |       |              |      |        |       |              |       |              |       |        |       |        |       |          |       |          |       |          |       |       |       |        |       |       |       |        |       |       |      |        |       |          |       |       |       |          |       |        |       |        |       |        |       |          |       |        |       |        |       |        |      |        |       |        |       |       |       |        |       |        |       |        |       |        |       |        |       |        |      |       |       |        |       |        |       |        |       |       |       |        |       |        |       |        |      |        |       |        |       |       |       |        |       |        |       |        |      |        |       |        |       |       |       |        |      |        |       |        |      |        |       |        |      |       |       |        |      |       |       |        |      |       |       |        |      |       |       |        |      |       |       |        |      |       |      |       |      |       |      |       |      |       |      |       |      |       |      |       |      |       |      |       |      |       |      |       |      |       |      |       |      |       |      |       |      |       |      |       |      |       |      |       |      |       |      |       |      |       |      |       |     |    |      |       |     |    |      |       |     |    |      |       |     |    |      |       |     |    |      |       |     |  |  |  |  |  |  |  |  |
| 5.5           | 11598      | 262      | 0.97                   |             |         | 6.4           | 10005      | 226      | 1.13                   |             |         | 7.2   | 8854  | 200   | 1.27  |        |      |              |       |        |      |              |      |       |       |              |      | 3.3    | 20350 | 217.62       | 0.83  | F 157  | 8     | 9.1      | 7437  | 161.28 | 1.97  |              |       | F 97   | 4     | 4.0      | 16664 |              |       |          |       |        |       |              |       |       |       | 178.20   | 1.02  | 4.4    | 15238 | 162.96       | 1.11  | 5.1      | 13260 |        |       | 141.80 | 1.28  | 5.8          | 11702 | 125.14 | 1.45  | 6.6    | 10145 | 108.49 | 1.67 | 7.5      | 9027  | 96.53  | 1.87  | 15     | 4487  | 97.31  | 0.90 | 16       | 4186 | 90.77 | 0.97  | 17     | 4015  | 87.06  | 1.01  | 18    | 3741  | 81.13  | 1.08 |       |       | 19     | 3523  | 76.40  | 1.15  |              |      |       |       |              |      |        |       |              |       |        |       | 21           | 3229  | 70.03 | 1.25  |          |       | 22     | 3050  | 66.14        | 1.33  | 25     | 2705 | 58.65    | 1.49  |        |      | 28           | 2445  | 53.03  | 1.65  | 32     | 2072  |              |       | 44.94    | 1.95  | 37           | 1810  | 39.26  | 2.2   | 44     | 1514  | 32.83    | 2.7   | 33           | 2023  | 43.87  | 2.0   | 40       | 1704  | 36.96  | 2.4   | 43       | 1580  | 34.26  | 2.6   | 48           | 1416  | 30.70        | 2.9   |          |      |          |       |              |       |              |      |        |       |       |       |          |       |          |       |        |       |        |       |        |       |          |       |          |       |        |       |        |       |       |       |        |       |        |       |       |       |       |       |        |       |        |       |       |       |        |       |        |       |              |       |        |       |              |       |        |       |        |       |              |       |        |       |        |       |              |       |        |      |          |       |              |       |        |      |          |       |        |       |        |       |          |       |              |       |        |       |          |       |        |       |              |       |        |       |        |       |        |       |          |       |              |       |        |       |        |       |          |       |              |       |        |      |       |       |              |       |              |      |              |      |              |       |              |      |          |      |       |       |              |       |          |       |              |       |          |       |          |       |              |      |        |       |              |       |              |       |        |       |        |       |          |       |          |       |          |       |       |       |        |       |       |       |        |       |       |      |        |       |          |       |       |       |          |       |        |       |        |       |        |       |          |       |        |       |        |       |        |      |        |       |        |       |       |       |        |       |        |       |        |       |        |       |        |       |        |      |       |       |        |       |        |       |        |       |       |       |        |       |        |       |        |      |        |       |        |       |       |       |        |       |        |       |        |      |        |       |        |       |       |       |        |      |        |       |        |      |        |       |        |      |       |       |        |      |       |       |        |      |       |       |        |      |       |       |        |      |       |       |        |      |       |      |       |      |       |      |       |      |       |      |       |      |       |      |       |      |       |      |       |      |       |      |       |      |       |      |       |      |       |      |       |      |       |      |       |      |       |      |       |      |       |      |       |      |       |      |       |     |    |      |       |     |    |      |       |     |    |      |       |     |    |      |       |     |    |      |       |     |  |  |  |  |  |  |  |  |
| 6.4           | 10005      | 226      | 1.13                   |             |         | 7.2           | 8854       | 200      | 1.27                   |             |         |       |       |       |       |        |      |              |       |        |      |              |      | 3.3   | 20350 | 217.62       | 0.83 | F 157  | 8     | 9.1          | 7437  |        |       | 161.28   | 1.97  | F 97   | 4     |              |       |        |       | 4.0      | 16664 |              |       |          |       |        |       |              |       |       |       | 178.20   | 1.02  | 4.4    | 15238 | 162.96       | 1.11  | 5.1      | 13260 | 141.80 | 1.28  | 5.8    | 11702 | 125.14       | 1.45  | 6.6    | 10145 | 108.49 | 1.67  | 7.5    | 9027 | 96.53    | 1.87  | 15     | 4487  | 97.31  | 0.90  | 16     | 4186 | 90.77    | 0.97 | 17    | 4015  | 87.06  | 1.01  | 18     | 3741  | 81.13 | 1.08  | 19     | 3523 |       |       | 76.40  | 1.15  | 21     | 3229  |              |      |       |       |              |      |        |       |              |       | 70.03  | 1.25  | 22           | 3050  | 66.14 | 1.33  |          |       | 25     | 2705  | 58.65        | 1.49  | 28     | 2445 | 53.03    | 1.65  |        |      | 32           | 2072  | 44.94  | 1.95  | 37     | 1810  | 39.26        | 2.2   | 44       | 1514  | 32.83        | 2.7   | 33     | 2023  | 43.87  | 2.0   | 40       | 1704  | 36.96        | 2.4   | 43     | 1580  | 34.26    | 2.6   | 48     | 1416  | 30.70    | 2.9   |        |       |              |       |              |       |          |      |          |       |              |       |              |      |        |       |       |       |          |       |          |       |        |       |        |       |        |       |          |       |          |       |        |       |        |       |       |       |        |       |        |       |       |       |       |       |        |       |        |       |       |       |        |       |        |       |              |       |        |       |              |       |        |       |        |       |              |       |        |       |        |       |              |       |        |      |          |       |              |       |        |      |          |       |        |       |        |       |          |       |              |       |        |       |          |       |        |       |              |       |        |       |        |       |        |       |          |       |              |       |        |       |        |       |          |       |              |       |        |      |       |       |              |       |              |      |              |      |              |       |              |      |          |      |       |       |              |       |          |       |              |       |          |       |          |       |              |      |        |       |              |       |              |       |        |       |        |       |          |       |          |       |          |       |       |       |        |       |       |       |        |       |       |      |        |       |          |       |       |       |          |       |        |       |        |       |        |       |          |       |        |       |        |       |        |      |        |       |        |       |       |       |        |       |        |       |        |       |        |       |        |       |        |      |       |       |        |       |        |       |        |       |       |       |        |       |        |       |        |      |        |       |        |       |       |       |        |       |        |       |        |      |        |       |        |       |       |       |        |      |        |       |        |      |        |       |        |      |       |       |        |      |       |       |        |      |       |       |        |      |       |       |        |      |       |       |        |      |       |      |       |      |       |      |       |      |       |      |       |      |       |      |       |      |       |      |       |      |       |      |       |      |       |      |       |      |       |      |       |      |       |      |       |      |       |      |       |      |       |      |       |      |       |      |       |     |    |      |       |     |    |      |       |     |    |      |       |     |    |      |       |     |    |      |       |     |  |  |  |  |  |  |  |  |
| 7.2           | 8854       | 200      | 1.27                   |             |         |               |            |          |                        |             |         |       |       |       |       |        |      | 3.3          | 20350 | 217.62 | 0.83 | F 157        | 8    | 9.1   | 7437  | 161.28       | 1.97 |        |       | F 97         | 4     |        |       | 4.0      | 16664 |        |       |              |       |        |       | 178.20   | 1.02  |              |       |          |       |        |       |              |       | 4.4   | 15238 | 162.96   | 1.11  | 5.1    | 13260 | 141.80       | 1.28  | 5.8      | 11702 | 125.14 | 1.45  | 6.6    | 10145 | 108.49       | 1.67  | 7.5    | 9027  | 96.53  | 1.87  | 15     | 4487 | 97.31    | 0.90  | 16     | 4186  | 90.77  | 0.97  | 17     | 4015 | 87.06    | 1.01 | 18    | 3741  | 81.13  | 1.08  | 19     | 3523  | 76.40 | 1.15  | 21     | 3229 |       |       | 70.03  | 1.25  | 22     | 3050  |              |      | 66.14 | 1.33  |              |      |        |       | 25           | 2705  | 58.65  | 1.49  | 28           | 2445  | 53.03 | 1.65  |          |       | 32     | 2072  | 44.94        | 1.95  | 37     | 1810 | 39.26    | 2.2   |        |      | 44           | 1514  | 32.83  | 2.7   | 33     | 2023  | 43.87        | 2.0   | 40       | 1704  | 36.96        | 2.4   | 43     | 1580  | 34.26  | 2.6   | 48       | 1416  | 30.70        | 2.9   |        |       |          |       |        |       |          |       |        |       |              |       |              |       |          |      |          |       |              |       |              |      |        |       |       |       |          |       |          |       |        |       |        |       |        |       |          |       |          |       |        |       |        |       |       |       |        |       |        |       |       |       |       |       |        |       |        |       |       |       |        |       |        |       |              |       |        |       |              |       |        |       |        |       |              |       |        |       |        |       |              |       |        |      |          |       |              |       |        |      |          |       |        |       |        |       |          |       |              |       |        |       |          |       |        |       |              |       |        |       |        |       |        |       |          |       |              |       |        |       |        |       |          |       |              |       |        |      |       |       |              |       |              |      |              |      |              |       |              |      |          |      |       |       |              |       |          |       |              |       |          |       |          |       |              |      |        |       |              |       |              |       |        |       |        |       |          |       |          |       |          |       |       |       |        |       |       |       |        |       |       |      |        |       |          |       |       |       |          |       |        |       |        |       |        |       |          |       |        |       |        |       |        |      |        |       |        |       |       |       |        |       |        |       |        |       |        |       |        |       |        |      |       |       |        |       |        |       |        |       |       |       |        |       |        |       |        |      |        |       |        |       |       |       |        |       |        |       |        |      |        |       |        |       |       |       |        |      |        |       |        |      |        |       |        |      |       |       |        |      |       |       |        |      |       |       |        |      |       |       |        |      |       |       |        |      |       |      |       |      |       |      |       |      |       |      |       |      |       |      |       |      |       |      |       |      |       |      |       |      |       |      |       |      |       |      |       |      |       |      |       |      |       |      |       |      |       |      |       |      |       |      |       |     |    |      |       |     |    |      |       |     |    |      |       |     |    |      |       |     |    |      |       |     |  |  |  |  |  |  |  |  |
|               |            |          |                        |             |         |               |            |          |                        |             |         |       |       |       |       |        |      |              |       |        |      |              |      |       |       |              |      |        |       |              |       |        |       |          |       |        |       |              |       |        |       |          |       |              |       |          |       |        |       |              |       |       |       |          |       |        |       |              |       |          |       |        |       |        |       |              |       |        |       |        |       |        |      |          |       |        |       |        |       |        |      |          |      |       |       |        |       |        |       |       |       |        |      |       |       |        |       |        |       |              |      |       |       |              |      |        |       |              |       |        |       |              |       |       |       |          |       |        |       |              |       |        |      |          |       |        |      |              |       |        |       |        |       |              |       |          |       |              |       |        |       |        |       |          |       |              |       |        |       |          |       |        |       |          |       |        |       |              |       |              |       |          |      |          |       |              |       |              |      |        |       |       |       |          |       |          |       |        |       |        |       |        |       |          |       |          |       |        |       |        |       |       |       |        |       |        |       |       |       |       |       |        |       |        |       |       |       |        |       |        |       |              |       |        |       |              |       |        |       |        |       |              |       |        |       |        |       |              |       |        |      |          |       |              |       |        |      |          |       |        |       |        |       |          |       |              |       |        |       |          |       |        |       |              |       |        |       |        |       |        |       |          |       |              |       |        |       |        |       |          |       |              |       |        |      |       |       |              |       |              |      |              |      |              |       |              |      |          |      |       |       |              |       |          |       |              |       |          |       |          |       |              |      |        |       |              |       |              |       |        |       |        |       |          |       |          |       |          |       |       |       |        |       |       |       |        |       |       |      |        |       |          |       |       |       |          |       |        |       |        |       |        |       |          |       |        |       |        |       |        |      |        |       |        |       |       |       |        |       |        |       |        |       |        |       |        |       |        |      |       |       |        |       |        |       |        |       |       |       |        |       |        |       |        |      |        |       |        |       |       |       |        |       |        |       |        |      |        |       |        |       |       |       |        |      |        |       |        |      |        |       |        |      |       |       |        |      |       |       |        |      |       |       |        |      |       |       |        |      |       |       |        |      |       |      |       |      |       |      |       |      |       |      |       |      |       |      |       |      |       |      |       |      |       |      |       |      |       |      |       |      |       |      |       |      |       |      |       |      |       |      |       |      |       |      |       |      |       |      |       |     |    |      |       |     |    |      |       |     |    |      |       |     |    |      |       |     |    |      |       |     |  |  |  |  |  |  |  |  |
| 3.3           | 20350      | 217.62   | 0.83                   | F 157       | 8       | 9.1           | 7437       | 161.28   | 1.97                   |             |         | F 97  | 4     |       |       |        |      |              |       |        |      |              |      |       |       |              |      |        |       |              |       |        |       |          |       |        |       |              |       |        |       |          |       |              |       |          |       |        |       |              |       |       |       |          |       |        |       |              |       |          |       |        |       |        |       |              |       |        |       |        |       |        |      |          |       |        |       |        |       |        |      |          |      |       |       |        |       |        |       |       |       |        |      |       |       |        |       |        |       |              |      |       |       |              |      |        |       |              |       |        |       |              |       |       |       |          |       |        |       |              |       |        |      |          |       |        |      |              |       |        |       |        |       |              |       |          |       |              |       |        |       |        |       |          |       |              |       |        |       |          |       |        |       |          |       |        |       |              |       |              |       |          |      |          |       |              |       |              |      |        |       |       |       |          |       |          |       |        |       |        |       |        |       |          |       |          |       |        |       |        |       |       |       |        |       |        |       |       |       |       |       |        |       |        |       |       |       |        |       |        |       |              |       |        |       |              |       |        |       |        |       |              |       |        |       |        |       |              |       |        |      |          |       |              |       |        |      |          |       |        |       |        |       |          |       |              |       |        |       |          |       |        |       |              |       |        |       |        |       |        |       |          |       |              |       |        |       |        |       |          |       |              |       |        |      |       |       |              |       |              |      |              |      |              |       |              |      |          |      |       |       |              |       |          |       |              |       |          |       |          |       |              |      |        |       |              |       |              |       |        |       |        |       |          |       |          |       |          |       |       |       |        |       |       |       |        |       |       |      |        |       |          |       |       |       |          |       |        |       |        |       |        |       |          |       |        |       |        |       |        |      |        |       |        |       |       |       |        |       |        |       |        |       |        |       |        |       |        |      |       |       |        |       |        |       |        |       |       |       |        |       |        |       |        |      |        |       |        |       |       |       |        |       |        |       |        |      |        |       |        |       |       |       |        |      |        |       |        |      |        |       |        |      |       |       |        |      |       |       |        |      |       |       |        |      |       |       |        |      |       |       |        |      |       |      |       |      |       |      |       |      |       |      |       |      |       |      |       |      |       |      |       |      |       |      |       |      |       |      |       |      |       |      |       |      |       |      |       |      |       |      |       |      |       |      |       |      |       |      |       |     |    |      |       |     |    |      |       |     |    |      |       |     |    |      |       |     |    |      |       |     |  |  |  |  |  |  |  |  |
| 4.0           | 16664      | 178.20   | 1.02                   |             |         | 4.4           | 15238      | 162.96   | 1.11                   |             |         |       |       | 5.1   | 13260 | 141.80 | 1.28 | 5.8          | 11702 | 125.14 | 1.45 |              |      | 6.6   | 10145 | 108.49       | 1.67 |        |       |              |       |        |       | 7.5      | 9027  |        |       |              |       |        |       | 96.53    | 1.87  | 15           | 4487  |          |       | 97.31  | 0.90  | 16           | 4186  | 90.77 | 0.97  | 17       | 4015  | 87.06  | 1.01  | 18           | 3741  | 81.13    | 1.08  | 19     | 3523  | 76.40  | 1.15  | 21           | 3229  | 70.03  | 1.25  | 22     | 3050  | 66.14  | 1.33 | 25       | 2705  | 58.65  | 1.49  | 28     | 2445  | 53.03  | 1.65 | 32       | 2072 | 44.94 | 1.95  | 37     | 1810  | 39.26  | 2.2   | 44    | 1514  | 32.83  | 2.7  | 33    | 2023  | 43.87  | 2.0   | 40     | 1704  | 36.96        | 2.4  | 43    | 1580  | 34.26        | 2.6  | 48     | 1416  | 30.70        | 2.9   |        |       |              |       |       |       |          |       |        |       |              |       |        |      |          |       |        |      |              |       |        |       |        |       |              |       |          |       |              |       |        |       |        |       |          |       |              |       |        |       |          |       |        |       |          |       |        |       |              |       |              |       |          |      |          |       |              |       |              |      |        |       |       |       |          |       |          |       |        |       |        |       |        |       |          |       |          |       |        |       |        |       |       |       |        |       |        |       |       |       |       |       |        |       |        |       |       |       |        |       |        |       |              |       |        |       |              |       |        |       |        |       |              |       |        |       |        |       |              |       |        |      |          |       |              |       |        |      |          |       |        |       |        |       |          |       |              |       |        |       |          |       |        |       |              |       |        |       |        |       |        |       |          |       |              |       |        |       |        |       |          |       |              |       |        |      |       |       |              |       |              |      |              |      |              |       |              |      |          |      |       |       |              |       |          |       |              |       |          |       |          |       |              |      |        |       |              |       |              |       |        |       |        |       |          |       |          |       |          |       |       |       |        |       |       |       |        |       |       |      |        |       |          |       |       |       |          |       |        |       |        |       |        |       |          |       |        |       |        |       |        |      |        |       |        |       |       |       |        |       |        |       |        |       |        |       |        |       |        |      |       |       |        |       |        |       |        |       |       |       |        |       |        |       |        |      |        |       |        |       |       |       |        |       |        |       |        |      |        |       |        |       |       |       |        |      |        |       |        |      |        |       |        |      |       |       |        |      |       |       |        |      |       |       |        |      |       |       |        |      |       |       |        |      |       |      |       |      |       |      |       |      |       |      |       |      |       |      |       |      |       |      |       |      |       |      |       |      |       |      |       |      |       |      |       |      |       |      |       |      |       |      |       |      |       |      |       |      |       |      |       |     |    |      |       |     |    |      |       |     |    |      |       |     |    |      |       |     |    |      |       |     |  |  |  |  |  |  |  |  |
| 4.4           | 15238      | 162.96   | 1.11                   |             |         | 5.1           | 13260      | 141.80   | 1.28                   |             |         |       |       | 5.8   | 11702 | 125.14 | 1.45 | 6.6          | 10145 | 108.49 | 1.67 |              |      | 7.5   | 9027  | 96.53        | 1.87 |        |       |              |       |        |       | 15       | 4487  |        |       |              |       |        |       | 97.31    | 0.90  | 16           | 4186  |          |       | 90.77  | 0.97  | 17           | 4015  | 87.06 | 1.01  | 18       | 3741  | 81.13  | 1.08  | 19           | 3523  | 76.40    | 1.15  | 21     | 3229  | 70.03  | 1.25  | 22           | 3050  | 66.14  | 1.33  | 25     | 2705  | 58.65  | 1.49 | 28       | 2445  | 53.03  | 1.65  | 32     | 2072  | 44.94  | 1.95 | 37       | 1810 | 39.26 | 2.2   | 44     | 1514  | 32.83  | 2.7   | 33    | 2023  | 43.87  | 2.0  | 40    | 1704  | 36.96  | 2.4   | 43     | 1580  | 34.26        | 2.6  | 48    | 1416  | 30.70        | 2.9  |        |       |              |       |        |       |              |       |       |       |          |       |        |       |              |       |        |      |          |       |        |      |              |       |        |       |        |       |              |       |          |       |              |       |        |       |        |       |          |       |              |       |        |       |          |       |        |       |          |       |        |       |              |       |              |       |          |      |          |       |              |       |              |      |        |       |       |       |          |       |          |       |        |       |        |       |        |       |          |       |          |       |        |       |        |       |       |       |        |       |        |       |       |       |       |       |        |       |        |       |       |       |        |       |        |       |              |       |        |       |              |       |        |       |        |       |              |       |        |       |        |       |              |       |        |      |          |       |              |       |        |      |          |       |        |       |        |       |          |       |              |       |        |       |          |       |        |       |              |       |        |       |        |       |        |       |          |       |              |       |        |       |        |       |          |       |              |       |        |      |       |       |              |       |              |      |              |      |              |       |              |      |          |      |       |       |              |       |          |       |              |       |          |       |          |       |              |      |        |       |              |       |              |       |        |       |        |       |          |       |          |       |          |       |       |       |        |       |       |       |        |       |       |      |        |       |          |       |       |       |          |       |        |       |        |       |        |       |          |       |        |       |        |       |        |      |        |       |        |       |       |       |        |       |        |       |        |       |        |       |        |       |        |      |       |       |        |       |        |       |        |       |       |       |        |       |        |       |        |      |        |       |        |       |       |       |        |       |        |       |        |      |        |       |        |       |       |       |        |      |        |       |        |      |        |       |        |      |       |       |        |      |       |       |        |      |       |       |        |      |       |       |        |      |       |       |        |      |       |      |       |      |       |      |       |      |       |      |       |      |       |      |       |      |       |      |       |      |       |      |       |      |       |      |       |      |       |      |       |      |       |      |       |      |       |      |       |      |       |      |       |      |       |      |       |     |    |      |       |     |    |      |       |     |    |      |       |     |    |      |       |     |    |      |       |     |  |  |  |  |  |  |  |  |
| 5.1           | 13260      | 141.80   | 1.28                   |             |         | 5.8           | 11702      | 125.14   | 1.45                   |             |         |       |       | 6.6   | 10145 | 108.49 | 1.67 | 7.5          | 9027  | 96.53  | 1.87 |              |      | 15    | 4487  | 97.31        | 0.90 |        |       |              |       |        |       | 16       | 4186  |        |       |              |       |        |       | 90.77    | 0.97  | 17           | 4015  |          |       | 87.06  | 1.01  | 18           | 3741  | 81.13 | 1.08  | 19       | 3523  | 76.40  | 1.15  | 21           | 3229  | 70.03    | 1.25  | 22     | 3050  | 66.14  | 1.33  | 25           | 2705  | 58.65  | 1.49  | 28     | 2445  | 53.03  | 1.65 | 32       | 2072  | 44.94  | 1.95  | 37     | 1810  | 39.26  | 2.2  | 44       | 1514 | 32.83 | 2.7   | 33     | 2023  | 43.87  | 2.0   | 40    | 1704  | 36.96  | 2.4  | 43    | 1580  | 34.26  | 2.6   | 48     | 1416  | 30.70        | 2.9  |       |       |              |      |        |       |              |       |        |       |              |       |       |       |          |       |        |       |              |       |        |      |          |       |        |      |              |       |        |       |        |       |              |       |          |       |              |       |        |       |        |       |          |       |              |       |        |       |          |       |        |       |          |       |        |       |              |       |              |       |          |      |          |       |              |       |              |      |        |       |       |       |          |       |          |       |        |       |        |       |        |       |          |       |          |       |        |       |        |       |       |       |        |       |        |       |       |       |       |       |        |       |        |       |       |       |        |       |        |       |              |       |        |       |              |       |        |       |        |       |              |       |        |       |        |       |              |       |        |      |          |       |              |       |        |      |          |       |        |       |        |       |          |       |              |       |        |       |          |       |        |       |              |       |        |       |        |       |        |       |          |       |              |       |        |       |        |       |          |       |              |       |        |      |       |       |              |       |              |      |              |      |              |       |              |      |          |      |       |       |              |       |          |       |              |       |          |       |          |       |              |      |        |       |              |       |              |       |        |       |        |       |          |       |          |       |          |       |       |       |        |       |       |       |        |       |       |      |        |       |          |       |       |       |          |       |        |       |        |       |        |       |          |       |        |       |        |       |        |      |        |       |        |       |       |       |        |       |        |       |        |       |        |       |        |       |        |      |       |       |        |       |        |       |        |       |       |       |        |       |        |       |        |      |        |       |        |       |       |       |        |       |        |       |        |      |        |       |        |       |       |       |        |      |        |       |        |      |        |       |        |      |       |       |        |      |       |       |        |      |       |       |        |      |       |       |        |      |       |       |        |      |       |      |       |      |       |      |       |      |       |      |       |      |       |      |       |      |       |      |       |      |       |      |       |      |       |      |       |      |       |      |       |      |       |      |       |      |       |      |       |      |       |      |       |      |       |      |       |     |    |      |       |     |    |      |       |     |    |      |       |     |    |      |       |     |    |      |       |     |  |  |  |  |  |  |  |  |
| 5.8           | 11702      | 125.14   | 1.45                   |             |         | 6.6           | 10145      | 108.49   | 1.67                   | 7.5         | 9027    |       |       | 96.53 | 1.87  | 15     | 4487 | 97.31        | 0.90  | 16     | 4186 |              |      | 90.77 | 0.97  | 17           | 4015 |        |       |              |       |        |       | 87.06    | 1.01  |        |       |              |       |        |       | 18       | 3741  | 81.13        | 1.08  |          |       | 19     | 3523  | 76.40        | 1.15  | 21    | 3229  | 70.03    | 1.25  | 22     | 3050  | 66.14        | 1.33  | 25       | 2705  | 58.65  | 1.49  | 28     | 2445  | 53.03        | 1.65  | 32     | 2072  | 44.94  | 1.95  | 37     | 1810 | 39.26    | 2.2   | 44     | 1514  | 32.83  | 2.7   | 33     | 2023 | 43.87    | 2.0  | 40    | 1704  | 36.96  | 2.4   | 43     | 1580  | 34.26 | 2.6   | 48     | 1416 | 30.70 | 2.9   |        |       |        |       |              |      |       |       |              |      |        |       |              |       |        |       |              |       |       |       |          |       |        |       |              |       |        |      |          |       |        |      |              |       |        |       |        |       |              |       |          |       |              |       |        |       |        |       |          |       |              |       |        |       |          |       |        |       |          |       |        |       |              |       |              |       |          |      |          |       |              |       |              |      |        |       |       |       |          |       |          |       |        |       |        |       |        |       |          |       |          |       |        |       |        |       |       |       |        |       |        |       |       |       |       |       |        |       |        |       |       |       |        |       |        |       |              |       |        |       |              |       |        |       |        |       |              |       |        |       |        |       |              |       |        |      |          |       |              |       |        |      |          |       |        |       |        |       |          |       |              |       |        |       |          |       |        |       |              |       |        |       |        |       |        |       |          |       |              |       |        |       |        |       |          |       |              |       |        |      |       |       |              |       |              |      |              |      |              |       |              |      |          |      |       |       |              |       |          |       |              |       |          |       |          |       |              |      |        |       |              |       |              |       |        |       |        |       |          |       |          |       |          |       |       |       |        |       |       |       |        |       |       |      |        |       |          |       |       |       |          |       |        |       |        |       |        |       |          |       |        |       |        |       |        |      |        |       |        |       |       |       |        |       |        |       |        |       |        |       |        |       |        |      |       |       |        |       |        |       |        |       |       |       |        |       |        |       |        |      |        |       |        |       |       |       |        |       |        |       |        |      |        |       |        |       |       |       |        |      |        |       |        |      |        |       |        |      |       |       |        |      |       |       |        |      |       |       |        |      |       |       |        |      |       |       |        |      |       |      |       |      |       |      |       |      |       |      |       |      |       |      |       |      |       |      |       |      |       |      |       |      |       |      |       |      |       |      |       |      |       |      |       |      |       |      |       |      |       |      |       |      |       |      |       |     |    |      |       |     |    |      |       |     |    |      |       |     |    |      |       |     |    |      |       |     |  |  |  |  |  |  |  |  |
| 6.6           | 10145      | 108.49   | 1.67                   |             |         | 7.5           | 9027       | 96.53    | 1.87                   | 15          | 4487    |       |       | 97.31 | 0.90  | 16     | 4186 | 90.77        | 0.97  | 17     | 4015 |              |      | 87.06 | 1.01  | 18           | 3741 |        |       |              |       |        |       | 81.13    | 1.08  |        |       | 19           | 3523  |        |       | 76.40    | 1.15  | 21           | 3229  | 70.03    | 1.25  | 22     | 3050  | 66.14        | 1.33  | 25    | 2705  | 58.65    | 1.49  | 28     | 2445  | 53.03        | 1.65  | 32       | 2072  | 44.94  | 1.95  | 37     | 1810  | 39.26        | 2.2   | 44     | 1514  | 32.83  | 2.7   | 33     | 2023 | 43.87    | 2.0   | 40     | 1704  | 36.96  | 2.4   | 43     | 1580 | 34.26    | 2.6  | 48    | 1416  | 30.70  | 2.9   |        |       |       |       |        |      |       |       |        |       |        |       |              |      |       |       |              |      |        |       |              |       |        |       |              |       |       |       |          |       |        |       |              |       |        |      |          |       |        |      |              |       |        |       |        |       |              |       |          |       |              |       |        |       |        |       |          |       |              |       |        |       |          |       |        |       |          |       |        |       |              |       |              |       |          |      |          |       |              |       |              |      |        |       |       |       |          |       |          |       |        |       |        |       |        |       |          |       |          |       |        |       |        |       |       |       |        |       |        |       |       |       |       |       |        |       |        |       |       |       |        |       |        |       |              |       |        |       |              |       |        |       |        |       |              |       |        |       |        |       |              |       |        |      |          |       |              |       |        |      |          |       |        |       |        |       |          |       |              |       |        |       |          |       |        |       |              |       |        |       |        |       |        |       |          |       |              |       |        |       |        |       |          |       |              |       |        |      |       |       |              |       |              |      |              |      |              |       |              |      |          |      |       |       |              |       |          |       |              |       |          |       |          |       |              |      |        |       |              |       |              |       |        |       |        |       |          |       |          |       |          |       |       |       |        |       |       |       |        |       |       |      |        |       |          |       |       |       |          |       |        |       |        |       |        |       |          |       |        |       |        |       |        |      |        |       |        |       |       |       |        |       |        |       |        |       |        |       |        |       |        |      |       |       |        |       |        |       |        |       |       |       |        |       |        |       |        |      |        |       |        |       |       |       |        |       |        |       |        |      |        |       |        |       |       |       |        |      |        |       |        |      |        |       |        |      |       |       |        |      |       |       |        |      |       |       |        |      |       |       |        |      |       |       |        |      |       |      |       |      |       |      |       |      |       |      |       |      |       |      |       |      |       |      |       |      |       |      |       |      |       |      |       |      |       |      |       |      |       |      |       |      |       |      |       |      |       |      |       |      |       |      |       |     |    |      |       |     |    |      |       |     |    |      |       |     |    |      |       |     |    |      |       |     |  |  |  |  |  |  |  |  |
| 7.5           | 9027       | 96.53    | 1.87                   |             |         | 15            | 4487       | 97.31    | 0.90                   | 16          | 4186    |       |       | 90.77 | 0.97  | 17     | 4015 | 87.06        | 1.01  | 18     | 3741 |              |      | 81.13 | 1.08  | 19           | 3523 |        |       |              |       | 76.40  | 1.15  | 21       | 3229  |        |       | 70.03        | 1.25  | 22     | 3050  | 66.14    | 1.33  | 25           | 2705  | 58.65    | 1.49  | 28     | 2445  | 53.03        | 1.65  | 32    | 2072  | 44.94    | 1.95  | 37     | 1810  | 39.26        | 2.2   | 44       | 1514  | 32.83  | 2.7   | 33     | 2023  | 43.87        | 2.0   | 40     | 1704  | 36.96  | 2.4   | 43     | 1580 | 34.26    | 2.6   | 48     | 1416  | 30.70  | 2.9   |        |      |          |      |       |       |        |       |        |       |       |       |        |      |       |       |        |       |        |       |              |      |       |       |              |      |        |       |              |       |        |       |              |       |       |       |          |       |        |       |              |       |        |      |          |       |        |      |              |       |        |       |        |       |              |       |          |       |              |       |        |       |        |       |          |       |              |       |        |       |          |       |        |       |          |       |        |       |              |       |              |       |          |      |          |       |              |       |              |      |        |       |       |       |          |       |          |       |        |       |        |       |        |       |          |       |          |       |        |       |        |       |       |       |        |       |        |       |       |       |       |       |        |       |        |       |       |       |        |       |        |       |              |       |        |       |              |       |        |       |        |       |              |       |        |       |        |       |              |       |        |      |          |       |              |       |        |      |          |       |        |       |        |       |          |       |              |       |        |       |          |       |        |       |              |       |        |       |        |       |        |       |          |       |              |       |        |       |        |       |          |       |              |       |        |      |       |       |              |       |              |      |              |      |              |       |              |      |          |      |       |       |              |       |          |       |              |       |          |       |          |       |              |      |        |       |              |       |              |       |        |       |        |       |          |       |          |       |          |       |       |       |        |       |       |       |        |       |       |      |        |       |          |       |       |       |          |       |        |       |        |       |        |       |          |       |        |       |        |       |        |      |        |       |        |       |       |       |        |       |        |       |        |       |        |       |        |       |        |      |       |       |        |       |        |       |        |       |       |       |        |       |        |       |        |      |        |       |        |       |       |       |        |       |        |       |        |      |        |       |        |       |       |       |        |      |        |       |        |      |        |       |        |      |       |       |        |      |       |       |        |      |       |       |        |      |       |       |        |      |       |       |        |      |       |      |       |      |       |      |       |      |       |      |       |      |       |      |       |      |       |      |       |      |       |      |       |      |       |      |       |      |       |      |       |      |       |      |       |      |       |      |       |      |       |      |       |      |       |      |       |     |    |      |       |     |    |      |       |     |    |      |       |     |    |      |       |     |    |      |       |     |  |  |  |  |  |  |  |  |
| 15            | 4487       | 97.31    | 0.90                   |             |         | 16            | 4186       | 90.77    | 0.97                   | 17          | 4015    |       |       | 87.06 | 1.01  | 18     | 3741 | 81.13        | 1.08  | 19     | 3523 |              |      | 76.40 | 1.15  | 21           | 3229 | 70.03  | 1.25  |              |       | 22     | 3050  | 66.14    | 1.33  | 25     | 2705  | 58.65        | 1.49  | 28     | 2445  | 53.03    | 1.65  | 32           | 2072  | 44.94    | 1.95  | 37     | 1810  | 39.26        | 2.2   | 44    | 1514  | 32.83    | 2.7   | 33     | 2023  | 43.87        | 2.0   | 40       | 1704  | 36.96  | 2.4   | 43     | 1580  | 34.26        | 2.6   | 48     | 1416  | 30.70  | 2.9   |        |      |          |       |        |       |        |       |        |      |          |      |       |       |        |       |        |       |       |       |        |      |       |       |        |       |        |       |              |      |       |       |              |      |        |       |              |       |        |       |              |       |       |       |          |       |        |       |              |       |        |      |          |       |        |      |              |       |        |       |        |       |              |       |          |       |              |       |        |       |        |       |          |       |              |       |        |       |          |       |        |       |          |       |        |       |              |       |              |       |          |      |          |       |              |       |              |      |        |       |       |       |          |       |          |       |        |       |        |       |        |       |          |       |          |       |        |       |        |       |       |       |        |       |        |       |       |       |       |       |        |       |        |       |       |       |        |       |        |       |              |       |        |       |              |       |        |       |        |       |              |       |        |       |        |       |              |       |        |      |          |       |              |       |        |      |          |       |        |       |        |       |          |       |              |       |        |       |          |       |        |       |              |       |        |       |        |       |        |       |          |       |              |       |        |       |        |       |          |       |              |       |        |      |       |       |              |       |              |      |              |      |              |       |              |      |          |      |       |       |              |       |          |       |              |       |          |       |          |       |              |      |        |       |              |       |              |       |        |       |        |       |          |       |          |       |          |       |       |       |        |       |       |       |        |       |       |      |        |       |          |       |       |       |          |       |        |       |        |       |        |       |          |       |        |       |        |       |        |      |        |       |        |       |       |       |        |       |        |       |        |       |        |       |        |       |        |      |       |       |        |       |        |       |        |       |       |       |        |       |        |       |        |      |        |       |        |       |       |       |        |       |        |       |        |      |        |       |        |       |       |       |        |      |        |       |        |      |        |       |        |      |       |       |        |      |       |       |        |      |       |       |        |      |       |       |        |      |       |       |        |      |       |      |       |      |       |      |       |      |       |      |       |      |       |      |       |      |       |      |       |      |       |      |       |      |       |      |       |      |       |      |       |      |       |      |       |      |       |      |       |      |       |      |       |      |       |      |       |     |    |      |       |     |    |      |       |     |    |      |       |     |    |      |       |     |    |      |       |     |  |  |  |  |  |  |  |  |
| 16            | 4186       | 90.77    | 0.97                   |             |         | 17            | 4015       | 87.06    | 1.01                   | 18          | 3741    |       |       | 81.13 | 1.08  | 19     | 3523 | 76.40        | 1.15  | 21     | 3229 | 70.03        | 1.25 | 22    | 3050  | 66.14        | 1.33 | 25     | 2705  | 58.65        | 1.49  | 28     | 2445  | 53.03    | 1.65  | 32     | 2072  | 44.94        | 1.95  | 37     | 1810  | 39.26    | 2.2   | 44           | 1514  | 32.83    | 2.7   | 33     | 2023  | 43.87        | 2.0   | 40    | 1704  | 36.96    | 2.4   | 43     | 1580  | 34.26        | 2.6   | 48       | 1416  | 30.70  | 2.9   |        |       |              |       |        |       |        |       |        |      |          |       |        |       |        |       |        |      |          |      |       |       |        |       |        |       |       |       |        |      |       |       |        |       |        |       |              |      |       |       |              |      |        |       |              |       |        |       |              |       |       |       |          |       |        |       |              |       |        |      |          |       |        |      |              |       |        |       |        |       |              |       |          |       |              |       |        |       |        |       |          |       |              |       |        |       |          |       |        |       |          |       |        |       |              |       |              |       |          |      |          |       |              |       |              |      |        |       |       |       |          |       |          |       |        |       |        |       |        |       |          |       |          |       |        |       |        |       |       |       |        |       |        |       |       |       |       |       |        |       |        |       |       |       |        |       |        |       |              |       |        |       |              |       |        |       |        |       |              |       |        |       |        |       |              |       |        |      |          |       |              |       |        |      |          |       |        |       |        |       |          |       |              |       |        |       |          |       |        |       |              |       |        |       |        |       |        |       |          |       |              |       |        |       |        |       |          |       |              |       |        |      |       |       |              |       |              |      |              |      |              |       |              |      |          |      |       |       |              |       |          |       |              |       |          |       |          |       |              |      |        |       |              |       |              |       |        |       |        |       |          |       |          |       |          |       |       |       |        |       |       |       |        |       |       |      |        |       |          |       |       |       |          |       |        |       |        |       |        |       |          |       |        |       |        |       |        |      |        |       |        |       |       |       |        |       |        |       |        |       |        |       |        |       |        |      |       |       |        |       |        |       |        |       |       |       |        |       |        |       |        |      |        |       |        |       |       |       |        |       |        |       |        |      |        |       |        |       |       |       |        |      |        |       |        |      |        |       |        |      |       |       |        |      |       |       |        |      |       |       |        |      |       |       |        |      |       |       |        |      |       |      |       |      |       |      |       |      |       |      |       |      |       |      |       |      |       |      |       |      |       |      |       |      |       |      |       |      |       |      |       |      |       |      |       |      |       |      |       |      |       |      |       |      |       |      |       |     |    |      |       |     |    |      |       |     |    |      |       |     |    |      |       |     |    |      |       |     |  |  |  |  |  |  |  |  |
| 17            | 4015       | 87.06    | 1.01                   |             |         | 18            | 3741       | 81.13    | 1.08                   | 19          | 3523    |       |       | 76.40 | 1.15  | 21     | 3229 | 70.03        | 1.25  | 22     | 3050 | 66.14        | 1.33 | 25    | 2705  | 58.65        | 1.49 | 28     | 2445  | 53.03        | 1.65  | 32     | 2072  | 44.94    | 1.95  | 37     | 1810  | 39.26        | 2.2   | 44     | 1514  | 32.83    | 2.7   | 33           | 2023  | 43.87    | 2.0   | 40     | 1704  | 36.96        | 2.4   | 43    | 1580  | 34.26    | 2.6   | 48     | 1416  | 30.70        | 2.9   |          |       |        |       |        |       |              |       |        |       |        |       |        |      |          |       |        |       |        |       |        |      |          |      |       |       |        |       |        |       |       |       |        |      |       |       |        |       |        |       |              |      |       |       |              |      |        |       |              |       |        |       |              |       |       |       |          |       |        |       |              |       |        |      |          |       |        |      |              |       |        |       |        |       |              |       |          |       |              |       |        |       |        |       |          |       |              |       |        |       |          |       |        |       |          |       |        |       |              |       |              |       |          |      |          |       |              |       |              |      |        |       |       |       |          |       |          |       |        |       |        |       |        |       |          |       |          |       |        |       |        |       |       |       |        |       |        |       |       |       |       |       |        |       |        |       |       |       |        |       |        |       |              |       |        |       |              |       |        |       |        |       |              |       |        |       |        |       |              |       |        |      |          |       |              |       |        |      |          |       |        |       |        |       |          |       |              |       |        |       |          |       |        |       |              |       |        |       |        |       |        |       |          |       |              |       |        |       |        |       |          |       |              |       |        |      |       |       |              |       |              |      |              |      |              |       |              |      |          |      |       |       |              |       |          |       |              |       |          |       |          |       |              |      |        |       |              |       |              |       |        |       |        |       |          |       |          |       |          |       |       |       |        |       |       |       |        |       |       |      |        |       |          |       |       |       |          |       |        |       |        |       |        |       |          |       |        |       |        |       |        |      |        |       |        |       |       |       |        |       |        |       |        |       |        |       |        |       |        |      |       |       |        |       |        |       |        |       |       |       |        |       |        |       |        |      |        |       |        |       |       |       |        |       |        |       |        |      |        |       |        |       |       |       |        |      |        |       |        |      |        |       |        |      |       |       |        |      |       |       |        |      |       |       |        |      |       |       |        |      |       |       |        |      |       |      |       |      |       |      |       |      |       |      |       |      |       |      |       |      |       |      |       |      |       |      |       |      |       |      |       |      |       |      |       |      |       |      |       |      |       |      |       |      |       |      |       |      |       |      |       |     |    |      |       |     |    |      |       |     |    |      |       |     |    |      |       |     |    |      |       |     |  |  |  |  |  |  |  |  |
| 18            | 3741       | 81.13    | 1.08                   | 19          | 3523    | 76.40         | 1.15       | 21       | 3229                   | 70.03       | 1.25    | 22    | 3050  | 66.14 | 1.33  | 25     | 2705 | 58.65        | 1.49  | 28     | 2445 | 53.03        | 1.65 | 32    | 2072  | 44.94        | 1.95 | 37     | 1810  | 39.26        | 2.2   | 44     | 1514  | 32.83    | 2.7   | 33     | 2023  | 43.87        | 2.0   | 40     | 1704  | 36.96    | 2.4   | 43           | 1580  | 34.26    | 2.6   | 48     | 1416  | 30.70        | 2.9   |       |       |          |       |        |       |              |       |          |       |        |       |        |       |              |       |        |       |        |       |        |      |          |       |        |       |        |       |        |      |          |      |       |       |        |       |        |       |       |       |        |      |       |       |        |       |        |       |              |      |       |       |              |      |        |       |              |       |        |       |              |       |       |       |          |       |        |       |              |       |        |      |          |       |        |      |              |       |        |       |        |       |              |       |          |       |              |       |        |       |        |       |          |       |              |       |        |       |          |       |        |       |          |       |        |       |              |       |              |       |          |      |          |       |              |       |              |      |        |       |       |       |          |       |          |       |        |       |        |       |        |       |          |       |          |       |        |       |        |       |       |       |        |       |        |       |       |       |       |       |        |       |        |       |       |       |        |       |        |       |              |       |        |       |              |       |        |       |        |       |              |       |        |       |        |       |              |       |        |      |          |       |              |       |        |      |          |       |        |       |        |       |          |       |              |       |        |       |          |       |        |       |              |       |        |       |        |       |        |       |          |       |              |       |        |       |        |       |          |       |              |       |        |      |       |       |              |       |              |      |              |      |              |       |              |      |          |      |       |       |              |       |          |       |              |       |          |       |          |       |              |      |        |       |              |       |              |       |        |       |        |       |          |       |          |       |          |       |       |       |        |       |       |       |        |       |       |      |        |       |          |       |       |       |          |       |        |       |        |       |        |       |          |       |        |       |        |       |        |      |        |       |        |       |       |       |        |       |        |       |        |       |        |       |        |       |        |      |       |       |        |       |        |       |        |       |       |       |        |       |        |       |        |      |        |       |        |       |       |       |        |       |        |       |        |      |        |       |        |       |       |       |        |      |        |       |        |      |        |       |        |      |       |       |        |      |       |       |        |      |       |       |        |      |       |       |        |      |       |       |        |      |       |      |       |      |       |      |       |      |       |      |       |      |       |      |       |      |       |      |       |      |       |      |       |      |       |      |       |      |       |      |       |      |       |      |       |      |       |      |       |      |       |      |       |      |       |      |       |     |    |      |       |     |    |      |       |     |    |      |       |     |    |      |       |     |    |      |       |     |  |  |  |  |  |  |  |  |
| 19            | 3523       | 76.40    | 1.15                   | 21          | 3229    | 70.03         | 1.25       | 22       | 3050                   | 66.14       | 1.33    | 25    | 2705  | 58.65 | 1.49  | 28     | 2445 | 53.03        | 1.65  | 32     | 2072 | 44.94        | 1.95 | 37    | 1810  | 39.26        | 2.2  | 44     | 1514  | 32.83        | 2.7   | 33     | 2023  | 43.87    | 2.0   | 40     | 1704  | 36.96        | 2.4   | 43     | 1580  | 34.26    | 2.6   | 48           | 1416  | 30.70    | 2.9   |        |       |              |       |       |       |          |       |        |       |              |       |          |       |        |       |        |       |              |       |        |       |        |       |        |      |          |       |        |       |        |       |        |      |          |      |       |       |        |       |        |       |       |       |        |      |       |       |        |       |        |       |              |      |       |       |              |      |        |       |              |       |        |       |              |       |       |       |          |       |        |       |              |       |        |      |          |       |        |      |              |       |        |       |        |       |              |       |          |       |              |       |        |       |        |       |          |       |              |       |        |       |          |       |        |       |          |       |        |       |              |       |              |       |          |      |          |       |              |       |              |      |        |       |       |       |          |       |          |       |        |       |        |       |        |       |          |       |          |       |        |       |        |       |       |       |        |       |        |       |       |       |       |       |        |       |        |       |       |       |        |       |        |       |              |       |        |       |              |       |        |       |        |       |              |       |        |       |        |       |              |       |        |      |          |       |              |       |        |      |          |       |        |       |        |       |          |       |              |       |        |       |          |       |        |       |              |       |        |       |        |       |        |       |          |       |              |       |        |       |        |       |          |       |              |       |        |      |       |       |              |       |              |      |              |      |              |       |              |      |          |      |       |       |              |       |          |       |              |       |          |       |          |       |              |      |        |       |              |       |              |       |        |       |        |       |          |       |          |       |          |       |       |       |        |       |       |       |        |       |       |      |        |       |          |       |       |       |          |       |        |       |        |       |        |       |          |       |        |       |        |       |        |      |        |       |        |       |       |       |        |       |        |       |        |       |        |       |        |       |        |      |       |       |        |       |        |       |        |       |       |       |        |       |        |       |        |      |        |       |        |       |       |       |        |       |        |       |        |      |        |       |        |       |       |       |        |      |        |       |        |      |        |       |        |      |       |       |        |      |       |       |        |      |       |       |        |      |       |       |        |      |       |       |        |      |       |      |       |      |       |      |       |      |       |      |       |      |       |      |       |      |       |      |       |      |       |      |       |      |       |      |       |      |       |      |       |      |       |      |       |      |       |      |       |      |       |      |       |      |       |      |       |     |    |      |       |     |    |      |       |     |    |      |       |     |    |      |       |     |    |      |       |     |  |  |  |  |  |  |  |  |
| 21            | 3229       | 70.03    | 1.25                   | 22          | 3050    | 66.14         | 1.33       | 25       | 2705                   | 58.65       | 1.49    | 28    | 2445  | 53.03 | 1.65  | 32     | 2072 | 44.94        | 1.95  | 37     | 1810 | 39.26        | 2.2  | 44    | 1514  | 32.83        | 2.7  | 33     | 2023  | 43.87        | 2.0   | 40     | 1704  | 36.96    | 2.4   | 43     | 1580  | 34.26        | 2.6   | 48     | 1416  | 30.70    | 2.9   |              |       |          |       |        |       |              |       |       |       |          |       |        |       |              |       |          |       |        |       |        |       |              |       |        |       |        |       |        |      |          |       |        |       |        |       |        |      |          |      |       |       |        |       |        |       |       |       |        |      |       |       |        |       |        |       |              |      |       |       |              |      |        |       |              |       |        |       |              |       |       |       |          |       |        |       |              |       |        |      |          |       |        |      |              |       |        |       |        |       |              |       |          |       |              |       |        |       |        |       |          |       |              |       |        |       |          |       |        |       |          |       |        |       |              |       |              |       |          |      |          |       |              |       |              |      |        |       |       |       |          |       |          |       |        |       |        |       |        |       |          |       |          |       |        |       |        |       |       |       |        |       |        |       |       |       |       |       |        |       |        |       |       |       |        |       |        |       |              |       |        |       |              |       |        |       |        |       |              |       |        |       |        |       |              |       |        |      |          |       |              |       |        |      |          |       |        |       |        |       |          |       |              |       |        |       |          |       |        |       |              |       |        |       |        |       |        |       |          |       |              |       |        |       |        |       |          |       |              |       |        |      |       |       |              |       |              |      |              |      |              |       |              |      |          |      |       |       |              |       |          |       |              |       |          |       |          |       |              |      |        |       |              |       |              |       |        |       |        |       |          |       |          |       |          |       |       |       |        |       |       |       |        |       |       |      |        |       |          |       |       |       |          |       |        |       |        |       |        |       |          |       |        |       |        |       |        |      |        |       |        |       |       |       |        |       |        |       |        |       |        |       |        |       |        |      |       |       |        |       |        |       |        |       |       |       |        |       |        |       |        |      |        |       |        |       |       |       |        |       |        |       |        |      |        |       |        |       |       |       |        |      |        |       |        |      |        |       |        |      |       |       |        |      |       |       |        |      |       |       |        |      |       |       |        |      |       |       |        |      |       |      |       |      |       |      |       |      |       |      |       |      |       |      |       |      |       |      |       |      |       |      |       |      |       |      |       |      |       |      |       |      |       |      |       |      |       |      |       |      |       |      |       |      |       |      |       |     |    |      |       |     |    |      |       |     |    |      |       |     |    |      |       |     |    |      |       |     |  |  |  |  |  |  |  |  |
| 22            | 3050       | 66.14    | 1.33                   | 25          | 2705    | 58.65         | 1.49       | 28       | 2445                   | 53.03       | 1.65    | 32    | 2072  | 44.94 | 1.95  | 37     | 1810 | 39.26        | 2.2   | 44     | 1514 | 32.83        | 2.7  | 33    | 2023  | 43.87        | 2.0  | 40     | 1704  | 36.96        | 2.4   | 43     | 1580  | 34.26    | 2.6   | 48     | 1416  | 30.70        | 2.9   |        |       |          |       |              |       |          |       |        |       |              |       |       |       |          |       |        |       |              |       |          |       |        |       |        |       |              |       |        |       |        |       |        |      |          |       |        |       |        |       |        |      |          |      |       |       |        |       |        |       |       |       |        |      |       |       |        |       |        |       |              |      |       |       |              |      |        |       |              |       |        |       |              |       |       |       |          |       |        |       |              |       |        |      |          |       |        |      |              |       |        |       |        |       |              |       |          |       |              |       |        |       |        |       |          |       |              |       |        |       |          |       |        |       |          |       |        |       |              |       |              |       |          |      |          |       |              |       |              |      |        |       |       |       |          |       |          |       |        |       |        |       |        |       |          |       |          |       |        |       |        |       |       |       |        |       |        |       |       |       |       |       |        |       |        |       |       |       |        |       |        |       |              |       |        |       |              |       |        |       |        |       |              |       |        |       |        |       |              |       |        |      |          |       |              |       |        |      |          |       |        |       |        |       |          |       |              |       |        |       |          |       |        |       |              |       |        |       |        |       |        |       |          |       |              |       |        |       |        |       |          |       |              |       |        |      |       |       |              |       |              |      |              |      |              |       |              |      |          |      |       |       |              |       |          |       |              |       |          |       |          |       |              |      |        |       |              |       |              |       |        |       |        |       |          |       |          |       |          |       |       |       |        |       |       |       |        |       |       |      |        |       |          |       |       |       |          |       |        |       |        |       |        |       |          |       |        |       |        |       |        |      |        |       |        |       |       |       |        |       |        |       |        |       |        |       |        |       |        |      |       |       |        |       |        |       |        |       |       |       |        |       |        |       |        |      |        |       |        |       |       |       |        |       |        |       |        |      |        |       |        |       |       |       |        |      |        |       |        |      |        |       |        |      |       |       |        |      |       |       |        |      |       |       |        |      |       |       |        |      |       |       |        |      |       |      |       |      |       |      |       |      |       |      |       |      |       |      |       |      |       |      |       |      |       |      |       |      |       |      |       |      |       |      |       |      |       |      |       |      |       |      |       |      |       |      |       |      |       |      |       |     |    |      |       |     |    |      |       |     |    |      |       |     |    |      |       |     |    |      |       |     |  |  |  |  |  |  |  |  |
| 25            | 2705       | 58.65    | 1.49                   | 28          | 2445    | 53.03         | 1.65       | 32       | 2072                   | 44.94       | 1.95    | 37    | 1810  | 39.26 | 2.2   | 44     | 1514 | 32.83        | 2.7   | 33     | 2023 | 43.87        | 2.0  | 40    | 1704  | 36.96        | 2.4  | 43     | 1580  | 34.26        | 2.6   | 48     | 1416  | 30.70    | 2.9   |        |       |              |       |        |       |          |       |              |       |          |       |        |       |              |       |       |       |          |       |        |       |              |       |          |       |        |       |        |       |              |       |        |       |        |       |        |      |          |       |        |       |        |       |        |      |          |      |       |       |        |       |        |       |       |       |        |      |       |       |        |       |        |       |              |      |       |       |              |      |        |       |              |       |        |       |              |       |       |       |          |       |        |       |              |       |        |      |          |       |        |      |              |       |        |       |        |       |              |       |          |       |              |       |        |       |        |       |          |       |              |       |        |       |          |       |        |       |          |       |        |       |              |       |              |       |          |      |          |       |              |       |              |      |        |       |       |       |          |       |          |       |        |       |        |       |        |       |          |       |          |       |        |       |        |       |       |       |        |       |        |       |       |       |       |       |        |       |        |       |       |       |        |       |        |       |              |       |        |       |              |       |        |       |        |       |              |       |        |       |        |       |              |       |        |      |          |       |              |       |        |      |          |       |        |       |        |       |          |       |              |       |        |       |          |       |        |       |              |       |        |       |        |       |        |       |          |       |              |       |        |       |        |       |          |       |              |       |        |      |       |       |              |       |              |      |              |      |              |       |              |      |          |      |       |       |              |       |          |       |              |       |          |       |          |       |              |      |        |       |              |       |              |       |        |       |        |       |          |       |          |       |          |       |       |       |        |       |       |       |        |       |       |      |        |       |          |       |       |       |          |       |        |       |        |       |        |       |          |       |        |       |        |       |        |      |        |       |        |       |       |       |        |       |        |       |        |       |        |       |        |       |        |      |       |       |        |       |        |       |        |       |       |       |        |       |        |       |        |      |        |       |        |       |       |       |        |       |        |       |        |      |        |       |        |       |       |       |        |      |        |       |        |      |        |       |        |      |       |       |        |      |       |       |        |      |       |       |        |      |       |       |        |      |       |       |        |      |       |      |       |      |       |      |       |      |       |      |       |      |       |      |       |      |       |      |       |      |       |      |       |      |       |      |       |      |       |      |       |      |       |      |       |      |       |      |       |      |       |      |       |      |       |      |       |     |    |      |       |     |    |      |       |     |    |      |       |     |    |      |       |     |    |      |       |     |  |  |  |  |  |  |  |  |
| 28            | 2445       | 53.03    | 1.65                   | 32          | 2072    | 44.94         | 1.95       | 37       | 1810                   | 39.26       | 2.2     | 44    | 1514  | 32.83 | 2.7   | 33     | 2023 | 43.87        | 2.0   | 40     | 1704 | 36.96        | 2.4  | 43    | 1580  | 34.26        | 2.6  | 48     | 1416  | 30.70        | 2.9   |        |       |          |       |        |       |              |       |        |       |          |       |              |       |          |       |        |       |              |       |       |       |          |       |        |       |              |       |          |       |        |       |        |       |              |       |        |       |        |       |        |      |          |       |        |       |        |       |        |      |          |      |       |       |        |       |        |       |       |       |        |      |       |       |        |       |        |       |              |      |       |       |              |      |        |       |              |       |        |       |              |       |       |       |          |       |        |       |              |       |        |      |          |       |        |      |              |       |        |       |        |       |              |       |          |       |              |       |        |       |        |       |          |       |              |       |        |       |          |       |        |       |          |       |        |       |              |       |              |       |          |      |          |       |              |       |              |      |        |       |       |       |          |       |          |       |        |       |        |       |        |       |          |       |          |       |        |       |        |       |       |       |        |       |        |       |       |       |       |       |        |       |        |       |       |       |        |       |        |       |              |       |        |       |              |       |        |       |        |       |              |       |        |       |        |       |              |       |        |      |          |       |              |       |        |      |          |       |        |       |        |       |          |       |              |       |        |       |          |       |        |       |              |       |        |       |        |       |        |       |          |       |              |       |        |       |        |       |          |       |              |       |        |      |       |       |              |       |              |      |              |      |              |       |              |      |          |      |       |       |              |       |          |       |              |       |          |       |          |       |              |      |        |       |              |       |              |       |        |       |        |       |          |       |          |       |          |       |       |       |        |       |       |       |        |       |       |      |        |       |          |       |       |       |          |       |        |       |        |       |        |       |          |       |        |       |        |       |        |      |        |       |        |       |       |       |        |       |        |       |        |       |        |       |        |       |        |      |       |       |        |       |        |       |        |       |       |       |        |       |        |       |        |      |        |       |        |       |       |       |        |       |        |       |        |      |        |       |        |       |       |       |        |      |        |       |        |      |        |       |        |      |       |       |        |      |       |       |        |      |       |       |        |      |       |       |        |      |       |       |        |      |       |      |       |      |       |      |       |      |       |      |       |      |       |      |       |      |       |      |       |      |       |      |       |      |       |      |       |      |       |      |       |      |       |      |       |      |       |      |       |      |       |      |       |      |       |      |       |     |    |      |       |     |    |      |       |     |    |      |       |     |    |      |       |     |    |      |       |     |  |  |  |  |  |  |  |  |
| 32            | 2072       | 44.94    | 1.95                   | 37          | 1810    | 39.26         | 2.2        | 44       | 1514                   | 32.83       | 2.7     | 33    | 2023  | 43.87 | 2.0   | 40     | 1704 | 36.96        | 2.4   | 43     | 1580 | 34.26        | 2.6  | 48    | 1416  | 30.70        | 2.9  |        |       |              |       |        |       |          |       |        |       |              |       |        |       |          |       |              |       |          |       |        |       |              |       |       |       |          |       |        |       |              |       |          |       |        |       |        |       |              |       |        |       |        |       |        |      |          |       |        |       |        |       |        |      |          |      |       |       |        |       |        |       |       |       |        |      |       |       |        |       |        |       |              |      |       |       |              |      |        |       |              |       |        |       |              |       |       |       |          |       |        |       |              |       |        |      |          |       |        |      |              |       |        |       |        |       |              |       |          |       |              |       |        |       |        |       |          |       |              |       |        |       |          |       |        |       |          |       |        |       |              |       |              |       |          |      |          |       |              |       |              |      |        |       |       |       |          |       |          |       |        |       |        |       |        |       |          |       |          |       |        |       |        |       |       |       |        |       |        |       |       |       |       |       |        |       |        |       |       |       |        |       |        |       |              |       |        |       |              |       |        |       |        |       |              |       |        |       |        |       |              |       |        |      |          |       |              |       |        |      |          |       |        |       |        |       |          |       |              |       |        |       |          |       |        |       |              |       |        |       |        |       |        |       |          |       |              |       |        |       |        |       |          |       |              |       |        |      |       |       |              |       |              |      |              |      |              |       |              |      |          |      |       |       |              |       |          |       |              |       |          |       |          |       |              |      |        |       |              |       |              |       |        |       |        |       |          |       |          |       |          |       |       |       |        |       |       |       |        |       |       |      |        |       |          |       |       |       |          |       |        |       |        |       |        |       |          |       |        |       |        |       |        |      |        |       |        |       |       |       |        |       |        |       |        |       |        |       |        |       |        |      |       |       |        |       |        |       |        |       |       |       |        |       |        |       |        |      |        |       |        |       |       |       |        |       |        |       |        |      |        |       |        |       |       |       |        |      |        |       |        |      |        |       |        |      |       |       |        |      |       |       |        |      |       |       |        |      |       |       |        |      |       |       |        |      |       |      |       |      |       |      |       |      |       |      |       |      |       |      |       |      |       |      |       |      |       |      |       |      |       |      |       |      |       |      |       |      |       |      |       |      |       |      |       |      |       |      |       |      |       |      |       |     |    |      |       |     |    |      |       |     |    |      |       |     |    |      |       |     |    |      |       |     |  |  |  |  |  |  |  |  |
| 37            | 1810       | 39.26    | 2.2                    | 44          | 1514    | 32.83         | 2.7        | 33       | 2023                   | 43.87       | 2.0     | 40    | 1704  | 36.96 | 2.4   | 43     | 1580 | 34.26        | 2.6   | 48     | 1416 | 30.70        | 2.9  |       |       |              |      |        |       |              |       |        |       |          |       |        |       |              |       |        |       |          |       |              |       |          |       |        |       |              |       |       |       |          |       |        |       |              |       |          |       |        |       |        |       |              |       |        |       |        |       |        |      |          |       |        |       |        |       |        |      |          |      |       |       |        |       |        |       |       |       |        |      |       |       |        |       |        |       |              |      |       |       |              |      |        |       |              |       |        |       |              |       |       |       |          |       |        |       |              |       |        |      |          |       |        |      |              |       |        |       |        |       |              |       |          |       |              |       |        |       |        |       |          |       |              |       |        |       |          |       |        |       |          |       |        |       |              |       |              |       |          |      |          |       |              |       |              |      |        |       |       |       |          |       |          |       |        |       |        |       |        |       |          |       |          |       |        |       |        |       |       |       |        |       |        |       |       |       |       |       |        |       |        |       |       |       |        |       |        |       |              |       |        |       |              |       |        |       |        |       |              |       |        |       |        |       |              |       |        |      |          |       |              |       |        |      |          |       |        |       |        |       |          |       |              |       |        |       |          |       |        |       |              |       |        |       |        |       |        |       |          |       |              |       |        |       |        |       |          |       |              |       |        |      |       |       |              |       |              |      |              |      |              |       |              |      |          |      |       |       |              |       |          |       |              |       |          |       |          |       |              |      |        |       |              |       |              |       |        |       |        |       |          |       |          |       |          |       |       |       |        |       |       |       |        |       |       |      |        |       |          |       |       |       |          |       |        |       |        |       |        |       |          |       |        |       |        |       |        |      |        |       |        |       |       |       |        |       |        |       |        |       |        |       |        |       |        |      |       |       |        |       |        |       |        |       |       |       |        |       |        |       |        |      |        |       |        |       |       |       |        |       |        |       |        |      |        |       |        |       |       |       |        |      |        |       |        |      |        |       |        |      |       |       |        |      |       |       |        |      |       |       |        |      |       |       |        |      |       |       |        |      |       |      |       |      |       |      |       |      |       |      |       |      |       |      |       |      |       |      |       |      |       |      |       |      |       |      |       |      |       |      |       |      |       |      |       |      |       |      |       |      |       |      |       |      |       |      |       |     |    |      |       |     |    |      |       |     |    |      |       |     |    |      |       |     |    |      |       |     |  |  |  |  |  |  |  |  |
| 44            | 1514       | 32.83    | 2.7                    | 33          | 2023    | 43.87         | 2.0        | 40       | 1704                   | 36.96       | 2.4     | 43    | 1580  | 34.26 | 2.6   | 48     | 1416 | 30.70        | 2.9   |        |      |              |      |       |       |              |      |        |       |              |       |        |       |          |       |        |       |              |       |        |       |          |       |              |       |          |       |        |       |              |       |       |       |          |       |        |       |              |       |          |       |        |       |        |       |              |       |        |       |        |       |        |      |          |       |        |       |        |       |        |      |          |      |       |       |        |       |        |       |       |       |        |      |       |       |        |       |        |       |              |      |       |       |              |      |        |       |              |       |        |       |              |       |       |       |          |       |        |       |              |       |        |      |          |       |        |      |              |       |        |       |        |       |              |       |          |       |              |       |        |       |        |       |          |       |              |       |        |       |          |       |        |       |          |       |        |       |              |       |              |       |          |      |          |       |              |       |              |      |        |       |       |       |          |       |          |       |        |       |        |       |        |       |          |       |          |       |        |       |        |       |       |       |        |       |        |       |       |       |       |       |        |       |        |       |       |       |        |       |        |       |              |       |        |       |              |       |        |       |        |       |              |       |        |       |        |       |              |       |        |      |          |       |              |       |        |      |          |       |        |       |        |       |          |       |              |       |        |       |          |       |        |       |              |       |        |       |        |       |        |       |          |       |              |       |        |       |        |       |          |       |              |       |        |      |       |       |              |       |              |      |              |      |              |       |              |      |          |      |       |       |              |       |          |       |              |       |          |       |          |       |              |      |        |       |              |       |              |       |        |       |        |       |          |       |          |       |          |       |       |       |        |       |       |       |        |       |       |      |        |       |          |       |       |       |          |       |        |       |        |       |        |       |          |       |        |       |        |       |        |      |        |       |        |       |       |       |        |       |        |       |        |       |        |       |        |       |        |      |       |       |        |       |        |       |        |       |       |       |        |       |        |       |        |      |        |       |        |       |       |       |        |       |        |       |        |      |        |       |        |       |       |       |        |      |        |       |        |      |        |       |        |      |       |       |        |      |       |       |        |      |       |       |        |      |       |       |        |      |       |       |        |      |       |      |       |      |       |      |       |      |       |      |       |      |       |      |       |      |       |      |       |      |       |      |       |      |       |      |       |      |       |      |       |      |       |      |       |      |       |      |       |      |       |      |       |      |       |      |       |     |    |      |       |     |    |      |       |     |    |      |       |     |    |      |       |     |    |      |       |     |  |  |  |  |  |  |  |  |
| 33            | 2023       | 43.87    | 2.0                    | 40          | 1704    | 36.96         | 2.4        | 43       | 1580                   | 34.26       | 2.6     | 48    | 1416  | 30.70 | 2.9   |        |      |              |       |        |      |              |      |       |       |              |      |        |       |              |       |        |       |          |       |        |       |              |       |        |       |          |       |              |       |          |       |        |       |              |       |       |       |          |       |        |       |              |       |          |       |        |       |        |       |              |       |        |       |        |       |        |      |          |       |        |       |        |       |        |      |          |      |       |       |        |       |        |       |       |       |        |      |       |       |        |       |        |       |              |      |       |       |              |      |        |       |              |       |        |       |              |       |       |       |          |       |        |       |              |       |        |      |          |       |        |      |              |       |        |       |        |       |              |       |          |       |              |       |        |       |        |       |          |       |              |       |        |       |          |       |        |       |          |       |        |       |              |       |              |       |          |      |          |       |              |       |              |      |        |       |       |       |          |       |          |       |        |       |        |       |        |       |          |       |          |       |        |       |        |       |       |       |        |       |        |       |       |       |       |       |        |       |        |       |       |       |        |       |        |       |              |       |        |       |              |       |        |       |        |       |              |       |        |       |        |       |              |       |        |      |          |       |              |       |        |      |          |       |        |       |        |       |          |       |              |       |        |       |          |       |        |       |              |       |        |       |        |       |        |       |          |       |              |       |        |       |        |       |          |       |              |       |        |      |       |       |              |       |              |      |              |      |              |       |              |      |          |      |       |       |              |       |          |       |              |       |          |       |          |       |              |      |        |       |              |       |              |       |        |       |        |       |          |       |          |       |          |       |       |       |        |       |       |       |        |       |       |      |        |       |          |       |       |       |          |       |        |       |        |       |        |       |          |       |        |       |        |       |        |      |        |       |        |       |       |       |        |       |        |       |        |       |        |       |        |       |        |      |       |       |        |       |        |       |        |       |       |       |        |       |        |       |        |      |        |       |        |       |       |       |        |       |        |       |        |      |        |       |        |       |       |       |        |      |        |       |        |      |        |       |        |      |       |       |        |      |       |       |        |      |       |       |        |      |       |       |        |      |       |       |        |      |       |      |       |      |       |      |       |      |       |      |       |      |       |      |       |      |       |      |       |      |       |      |       |      |       |      |       |      |       |      |       |      |       |      |       |      |       |      |       |      |       |      |       |      |       |      |       |     |    |      |       |     |    |      |       |     |    |      |       |     |    |      |       |     |    |      |       |     |  |  |  |  |  |  |  |  |
| 40            | 1704       | 36.96    | 2.4                    | 43          | 1580    | 34.26         | 2.6        | 48       | 1416                   | 30.70       | 2.9     |       |       |       |       |        |      |              |       |        |      |              |      |       |       |              |      |        |       |              |       |        |       |          |       |        |       |              |       |        |       |          |       |              |       |          |       |        |       |              |       |       |       |          |       |        |       |              |       |          |       |        |       |        |       |              |       |        |       |        |       |        |      |          |       |        |       |        |       |        |      |          |      |       |       |        |       |        |       |       |       |        |      |       |       |        |       |        |       |              |      |       |       |              |      |        |       |              |       |        |       |              |       |       |       |          |       |        |       |              |       |        |      |          |       |        |      |              |       |        |       |        |       |              |       |          |       |              |       |        |       |        |       |          |       |              |       |        |       |          |       |        |       |          |       |        |       |              |       |              |       |          |      |          |       |              |       |              |      |        |       |       |       |          |       |          |       |        |       |        |       |        |       |          |       |          |       |        |       |        |       |       |       |        |       |        |       |       |       |       |       |        |       |        |       |       |       |        |       |        |       |              |       |        |       |              |       |        |       |        |       |              |       |        |       |        |       |              |       |        |      |          |       |              |       |        |      |          |       |        |       |        |       |          |       |              |       |        |       |          |       |        |       |              |       |        |       |        |       |        |       |          |       |              |       |        |       |        |       |          |       |              |       |        |      |       |       |              |       |              |      |              |      |              |       |              |      |          |      |       |       |              |       |          |       |              |       |          |       |          |       |              |      |        |       |              |       |              |       |        |       |        |       |          |       |          |       |          |       |       |       |        |       |       |       |        |       |       |      |        |       |          |       |       |       |          |       |        |       |        |       |        |       |          |       |        |       |        |       |        |      |        |       |        |       |       |       |        |       |        |       |        |       |        |       |        |       |        |      |       |       |        |       |        |       |        |       |       |       |        |       |        |       |        |      |        |       |        |       |       |       |        |       |        |       |        |      |        |       |        |       |       |       |        |      |        |       |        |      |        |       |        |      |       |       |        |      |       |       |        |      |       |       |        |      |       |       |        |      |       |       |        |      |       |      |       |      |       |      |       |      |       |      |       |      |       |      |       |      |       |      |       |      |       |      |       |      |       |      |       |      |       |      |       |      |       |      |       |      |       |      |       |      |       |      |       |      |       |      |       |     |    |      |       |     |    |      |       |     |    |      |       |     |    |      |       |     |    |      |       |     |  |  |  |  |  |  |  |  |
| 43            | 1580       | 34.26    | 2.6                    | 48          | 1416    | 30.70         | 2.9        |          |                        |             |         |       |       |       |       |        |      |              |       |        |      |              |      |       |       |              |      |        |       |              |       |        |       |          |       |        |       |              |       |        |       |          |       |              |       |          |       |        |       |              |       |       |       |          |       |        |       |              |       |          |       |        |       |        |       |              |       |        |       |        |       |        |      |          |       |        |       |        |       |        |      |          |      |       |       |        |       |        |       |       |       |        |      |       |       |        |       |        |       |              |      |       |       |              |      |        |       |              |       |        |       |              |       |       |       |          |       |        |       |              |       |        |      |          |       |        |      |              |       |        |       |        |       |              |       |          |       |              |       |        |       |        |       |          |       |              |       |        |       |          |       |        |       |          |       |        |       |              |       |              |       |          |      |          |       |              |       |              |      |        |       |       |       |          |       |          |       |        |       |        |       |        |       |          |       |          |       |        |       |        |       |       |       |        |       |        |       |       |       |       |       |        |       |        |       |       |       |        |       |        |       |              |       |        |       |              |       |        |       |        |       |              |       |        |       |        |       |              |       |        |      |          |       |              |       |        |      |          |       |        |       |        |       |          |       |              |       |        |       |          |       |        |       |              |       |        |       |        |       |        |       |          |       |              |       |        |       |        |       |          |       |              |       |        |      |       |       |              |       |              |      |              |      |              |       |              |      |          |      |       |       |              |       |          |       |              |       |          |       |          |       |              |      |        |       |              |       |              |       |        |       |        |       |          |       |          |       |          |       |       |       |        |       |       |       |        |       |       |      |        |       |          |       |       |       |          |       |        |       |        |       |        |       |          |       |        |       |        |       |        |      |        |       |        |       |       |       |        |       |        |       |        |       |        |       |        |       |        |      |       |       |        |       |        |       |        |       |       |       |        |       |        |       |        |      |        |       |        |       |       |       |        |       |        |       |        |      |        |       |        |       |       |       |        |      |        |       |        |      |        |       |        |      |       |       |        |      |       |       |        |      |       |       |        |      |       |       |        |      |       |       |        |      |       |      |       |      |       |      |       |      |       |      |       |      |       |      |       |      |       |      |       |      |       |      |       |      |       |      |       |      |       |      |       |      |       |      |       |      |       |      |       |      |       |      |       |      |       |      |       |     |    |      |       |     |    |      |       |     |    |      |       |     |    |      |       |     |    |      |       |     |  |  |  |  |  |  |  |  |
| 48            | 1416       | 30.70    | 2.9                    |             |         |               |            |          |                        |             |         |       |       |       |       |        |      |              |       |        |      |              |      |       |       |              |      |        |       |              |       |        |       |          |       |        |       |              |       |        |       |          |       |              |       |          |       |        |       |              |       |       |       |          |       |        |       |              |       |          |       |        |       |        |       |              |       |        |       |        |       |        |      |          |       |        |       |        |       |        |      |          |      |       |       |        |       |        |       |       |       |        |      |       |       |        |       |        |       |              |      |       |       |              |      |        |       |              |       |        |       |              |       |       |       |          |       |        |       |              |       |        |      |          |       |        |      |              |       |        |       |        |       |              |       |          |       |              |       |        |       |        |       |          |       |              |       |        |       |          |       |        |       |          |       |        |       |              |       |              |       |          |      |          |       |              |       |              |      |        |       |       |       |          |       |          |       |        |       |        |       |        |       |          |       |          |       |        |       |        |       |       |       |        |       |        |       |       |       |       |       |        |       |        |       |       |       |        |       |        |       |              |       |        |       |              |       |        |       |        |       |              |       |        |       |        |       |              |       |        |      |          |       |              |       |        |      |          |       |        |       |        |       |          |       |              |       |        |       |          |       |        |       |              |       |        |       |        |       |        |       |          |       |              |       |        |       |        |       |          |       |              |       |        |      |       |       |              |       |              |      |              |      |              |       |              |      |          |      |       |       |              |       |          |       |              |       |          |       |          |       |              |      |        |       |              |       |              |       |        |       |        |       |          |       |          |       |          |       |       |       |        |       |       |       |        |       |       |      |        |       |          |       |       |       |          |       |        |       |        |       |        |       |          |       |        |       |        |       |        |      |        |       |        |       |       |       |        |       |        |       |        |       |        |       |        |       |        |      |       |       |        |       |        |       |        |       |       |       |        |       |        |       |        |      |        |       |        |       |       |       |        |       |        |       |        |      |        |       |        |       |       |       |        |      |        |       |        |      |        |       |        |      |       |       |        |      |       |       |        |      |       |       |        |      |       |       |        |      |       |       |        |      |       |      |       |      |       |      |       |      |       |      |       |      |       |      |       |      |       |      |       |      |       |      |       |      |       |      |       |      |       |      |       |      |       |      |       |      |       |      |       |      |       |      |       |      |       |      |       |     |    |      |       |     |    |      |       |     |    |      |       |     |    |      |       |     |    |      |       |     |  |  |  |  |  |  |  |  |

减速机的外形安装尺寸在95页到101页里查找。The appearance of reducer installation dimensions in 95 to 101 page search page.





| 输出转速<br>r/min | 输出扭矩<br>Nm | 传动比<br>i | 使用系数<br>f <sub>B</sub> | 机型号<br>Type | 极数<br>p | 输出转速<br>r/min | 输出扭矩<br>Nm | 传动比<br>i | 使用系数<br>f <sub>B</sub> | 机型号<br>Type | 极数<br>p |       |       |        |      |       |       |        |       |        |       |        |      |       |       |        |       |       |       |        |       |       |       |        |       |       |       |        |       |       |       |        |       |       |       |        |       |        |       |        |       |        |       |        |       |        |      |        |       |        |       |        |       |        |       |        |       |        |      |       |       |        |       |       |       |        |       |       |       |        |       |        |       |        |       |        |      |       |       |        |       |       |       |        |      |       |       |        |       |       |      |        |       |        |       |        |       |        |      |       |       |        |       |        |      |        |      |        |       |        |      |        |       |        |      |        |      |       |      |        |      |       |      |        |      |        |      |       |      |        |      |       |      |        |      |       |      |        |      |       |      |       |      |       |      |       |      |        |      |       |      |        |      |        |      |        |      |       |      |        |      |       |      |        |      |        |      |       |      |        |      |       |      |        |      |       |      |       |      |        |      |        |      |      |      |        |      |        |      |       |      |       |      |       |      |       |      |       |      |       |      |       |      |       |      |       |      |       |      |       |      |       |      |       |      |       |      |       |      |       |      |       |      |       |      |       |      |       |      |       |      |       |      |      |      |       |      |       |      |       |      |       |      |       |      |       |      |       |      |       |      |       |      |       |      |       |      |       |      |       |      |       |      |       |      |       |      |       |      |       |      |       |      |       |      |       |      |       |      |       |      |       |      |       |      |       |      |       |      |       |      |       |      |       |      |       |      |      |      |       |      |       |      |       |      |       |      |       |      |       |      |       |      |       |      |       |      |       |      |       |      |       |      |       |      |       |      |       |      |       |      |       |      |       |      |       |      |       |      |       |      |       |      |       |      |       |      |       |      |       |      |       |      |       |      |       |      |       |      |       |      |       |      |       |      |       |      |       |      |       |      |       |      |       |      |       |      |       |      |       |      |       |      |       |      |       |      |       |      |       |      |       |      |       |      |       |      |       |      |       |      |       |      |       |      |       |      |       |      |      |      |       |      |       |      |       |      |       |      |       |      |       |      |      |      |       |      |       |      |       |      |       |      |       |      |       |      |       |      |       |      |     |      |       |      |       |      |       |      |       |      |    |      |       |      |       |      |       |      |       |      |    |      |       |      |       |      |       |      |       |      |    |      |       |      |       |      |       |      |       |      |      |      |       |      |       |      |       |      |       |      |      |      |       |      |       |      |       |      |       |      |      |      |       |      |       |      |      |      |       |      |       |      |       |      |       |      |       |      |      |      |       |      |       |      |      |      |       |      |       |      |       |      |       |      |       |      |       |      |       |      |       |      |      |      |       |      |       |      |       |      |       |      |       |      |       |      |       |      |       |      |       |      |       |      |       |      |       |      |       |      |       |      |       |      |       |      |       |      |       |      |       |      |       |      |       |      |       |      |       |      |       |      |       |      |       |      |       |      |       |      |      |      |      |      |       |      |       |      |      |      |      |      |      |      |      |      |      |      |      |      |      |     |      |     |      |      |      |      |      |     |      |     |      |     |      |     |      |     |      |     |      |     |      |     |      |     |      |     |      |     |      |     |      |     |      |     |      |     |      |     |      |     |      |     |      |     |      |     |      |     |  |  |     |     |      |     |      |     |  |  |  |  |  |  |  |  |  |  |
|---------------|------------|----------|------------------------|-------------|---------|---------------|------------|----------|------------------------|-------------|---------|-------|-------|--------|------|-------|-------|--------|-------|--------|-------|--------|------|-------|-------|--------|-------|-------|-------|--------|-------|-------|-------|--------|-------|-------|-------|--------|-------|-------|-------|--------|-------|-------|-------|--------|-------|--------|-------|--------|-------|--------|-------|--------|-------|--------|------|--------|-------|--------|-------|--------|-------|--------|-------|--------|-------|--------|------|-------|-------|--------|-------|-------|-------|--------|-------|-------|-------|--------|-------|--------|-------|--------|-------|--------|------|-------|-------|--------|-------|-------|-------|--------|------|-------|-------|--------|-------|-------|------|--------|-------|--------|-------|--------|-------|--------|------|-------|-------|--------|-------|--------|------|--------|------|--------|-------|--------|------|--------|-------|--------|------|--------|------|-------|------|--------|------|-------|------|--------|------|--------|------|-------|------|--------|------|-------|------|--------|------|-------|------|--------|------|-------|------|-------|------|-------|------|-------|------|--------|------|-------|------|--------|------|--------|------|--------|------|-------|------|--------|------|-------|------|--------|------|--------|------|-------|------|--------|------|-------|------|--------|------|-------|------|-------|------|--------|------|--------|------|------|------|--------|------|--------|------|-------|------|-------|------|-------|------|-------|------|-------|------|-------|------|-------|------|-------|------|-------|------|-------|------|-------|------|-------|------|-------|------|-------|------|-------|------|-------|------|-------|------|-------|------|-------|------|-------|------|-------|------|-------|------|------|------|-------|------|-------|------|-------|------|-------|------|-------|------|-------|------|-------|------|-------|------|-------|------|-------|------|-------|------|-------|------|-------|------|-------|------|-------|------|-------|------|-------|------|-------|------|-------|------|-------|------|-------|------|-------|------|-------|------|-------|------|-------|------|-------|------|-------|------|-------|------|-------|------|-------|------|-------|------|------|------|-------|------|-------|------|-------|------|-------|------|-------|------|-------|------|-------|------|-------|------|-------|------|-------|------|-------|------|-------|------|-------|------|-------|------|-------|------|-------|------|-------|------|-------|------|-------|------|-------|------|-------|------|-------|------|-------|------|-------|------|-------|------|-------|------|-------|------|-------|------|-------|------|-------|------|-------|------|-------|------|-------|------|-------|------|-------|------|-------|------|-------|------|-------|------|-------|------|-------|------|-------|------|-------|------|-------|------|-------|------|-------|------|-------|------|-------|------|-------|------|-------|------|-------|------|-------|------|-------|------|-------|------|-------|------|-------|------|------|------|-------|------|-------|------|-------|------|-------|------|-------|------|-------|------|------|------|-------|------|-------|------|-------|------|-------|------|-------|------|-------|------|-------|------|-------|------|-----|------|-------|------|-------|------|-------|------|-------|------|----|------|-------|------|-------|------|-------|------|-------|------|----|------|-------|------|-------|------|-------|------|-------|------|----|------|-------|------|-------|------|-------|------|-------|------|------|------|-------|------|-------|------|-------|------|-------|------|------|------|-------|------|-------|------|-------|------|-------|------|------|------|-------|------|-------|------|------|------|-------|------|-------|------|-------|------|-------|------|-------|------|------|------|-------|------|-------|------|------|------|-------|------|-------|------|-------|------|-------|------|-------|------|-------|------|-------|------|-------|------|------|------|-------|------|-------|------|-------|------|-------|------|-------|------|-------|------|-------|------|-------|------|-------|------|-------|------|-------|------|-------|------|-------|------|-------|------|-------|------|-------|------|-------|------|-------|------|-------|------|-------|------|-------|------|-------|------|-------|------|-------|------|-------|------|-------|------|-------|------|-------|------|------|------|------|------|-------|------|-------|------|------|------|------|------|------|------|------|------|------|------|------|------|------|-----|------|-----|------|------|------|------|------|-----|------|-----|------|-----|------|-----|------|-----|------|-----|------|-----|------|-----|------|-----|------|-----|------|-----|------|-----|------|-----|------|-----|------|-----|------|-----|------|-----|------|-----|------|-----|------|-----|------|-----|--|--|-----|-----|------|-----|------|-----|--|--|--|--|--|--|--|--|--|--|
| <b>7.5kW</b>  |            |          |                        |             |         | <b>11kW</b>   |            |          |                        |             |         |       |       |        |      |       |       |        |       |        |       |        |      |       |       |        |       |       |       |        |       |       |       |        |       |       |       |        |       |       |       |        |       |       |       |        |       |        |       |        |       |        |       |        |       |        |      |        |       |        |       |        |       |        |       |        |       |        |      |       |       |        |       |       |       |        |       |       |       |        |       |        |       |        |       |        |      |       |       |        |       |       |       |        |      |       |       |        |       |       |      |        |       |        |       |        |       |        |      |       |       |        |       |        |      |        |      |        |       |        |      |        |       |        |      |        |      |       |      |        |      |       |      |        |      |        |      |       |      |        |      |       |      |        |      |       |      |        |      |       |      |       |      |       |      |       |      |        |      |       |      |        |      |        |      |        |      |       |      |        |      |       |      |        |      |        |      |       |      |        |      |       |      |        |      |       |      |       |      |        |      |        |      |      |      |        |      |        |      |       |      |       |      |       |      |       |      |       |      |       |      |       |      |       |      |       |      |       |      |       |      |       |      |       |      |       |      |       |      |       |      |       |      |       |      |       |      |       |      |       |      |       |      |      |      |       |      |       |      |       |      |       |      |       |      |       |      |       |      |       |      |       |      |       |      |       |      |       |      |       |      |       |      |       |      |       |      |       |      |       |      |       |      |       |      |       |      |       |      |       |      |       |      |       |      |       |      |       |      |       |      |       |      |       |      |       |      |      |      |       |      |       |      |       |      |       |      |       |      |       |      |       |      |       |      |       |      |       |      |       |      |       |      |       |      |       |      |       |      |       |      |       |      |       |      |       |      |       |      |       |      |       |      |       |      |       |      |       |      |       |      |       |      |       |      |       |      |       |      |       |      |       |      |       |      |       |      |       |      |       |      |       |      |       |      |       |      |       |      |       |      |       |      |       |      |       |      |       |      |       |      |       |      |       |      |       |      |       |      |       |      |       |      |       |      |       |      |       |      |      |      |       |      |       |      |       |      |       |      |       |      |       |      |      |      |       |      |       |      |       |      |       |      |       |      |       |      |       |      |       |      |     |      |       |      |       |      |       |      |       |      |    |      |       |      |       |      |       |      |       |      |    |      |       |      |       |      |       |      |       |      |    |      |       |      |       |      |       |      |       |      |      |      |       |      |       |      |       |      |       |      |      |      |       |      |       |      |       |      |       |      |      |      |       |      |       |      |      |      |       |      |       |      |       |      |       |      |       |      |      |      |       |      |       |      |      |      |       |      |       |      |       |      |       |      |       |      |       |      |       |      |       |      |      |      |       |      |       |      |       |      |       |      |       |      |       |      |       |      |       |      |       |      |       |      |       |      |       |      |       |      |       |      |       |      |       |      |       |      |       |      |       |      |       |      |       |      |       |      |       |      |       |      |       |      |       |      |       |      |       |      |      |      |      |      |       |      |       |      |      |      |      |      |      |      |      |      |      |      |      |      |      |     |      |     |      |      |      |      |      |     |      |     |      |     |      |     |      |     |      |     |      |     |      |     |      |     |      |     |      |     |      |     |      |     |      |     |      |     |      |     |      |     |      |     |      |     |      |     |      |     |  |  |     |     |      |     |      |     |  |  |  |  |  |  |  |  |  |  |
| 26            | 2617       | 56.75    | 1.08                   | F 87        | 4       | 15            | 6529       | 96.53    | 2.6                    | F 157       | 4       |       |       |        |      |       |       |        |       |        |       |        |      |       |       |        |       |       |       |        |       |       |       |        |       |       |       |        |       |       |       |        |       |       |       |        |       |        |       |        |       |        |       |        |       |        |      |        |       |        |       |        |       |        |       |        |       |        |      |       |       |        |       |       |       |        |       |       |       |        |       |        |       |        |       |        |      |       |       |        |       |       |       |        |      |       |       |        |       |       |      |        |       |        |       |        |       |        |      |       |       |        |       |        |      |        |      |        |       |        |      |        |       |        |      |        |      |       |      |        |      |       |      |        |      |        |      |       |      |        |      |       |      |        |      |       |      |        |      |       |      |       |      |       |      |       |      |        |      |       |      |        |      |        |      |        |      |       |      |        |      |       |      |        |      |        |      |       |      |        |      |       |      |        |      |       |      |       |      |        |      |        |      |      |      |        |      |        |      |       |      |       |      |       |      |       |      |       |      |       |      |       |      |       |      |       |      |       |      |       |      |       |      |       |      |       |      |       |      |       |      |       |      |       |      |       |      |       |      |       |      |       |      |      |      |       |      |       |      |       |      |       |      |       |      |       |      |       |      |       |      |       |      |       |      |       |      |       |      |       |      |       |      |       |      |       |      |       |      |       |      |       |      |       |      |       |      |       |      |       |      |       |      |       |      |       |      |       |      |       |      |       |      |       |      |       |      |      |      |       |      |       |      |       |      |       |      |       |      |       |      |       |      |       |      |       |      |       |      |       |      |       |      |       |      |       |      |       |      |       |      |       |      |       |      |       |      |       |      |       |      |       |      |       |      |       |      |       |      |       |      |       |      |       |      |       |      |       |      |       |      |       |      |       |      |       |      |       |      |       |      |       |      |       |      |       |      |       |      |       |      |       |      |       |      |       |      |       |      |       |      |       |      |       |      |       |      |       |      |       |      |       |      |       |      |       |      |       |      |      |      |       |      |       |      |       |      |       |      |       |      |       |      |      |      |       |      |       |      |       |      |       |      |       |      |       |      |       |      |       |      |     |      |       |      |       |      |       |      |       |      |    |      |       |      |       |      |       |      |       |      |    |      |       |      |       |      |       |      |       |      |    |      |       |      |       |      |       |      |       |      |      |      |       |      |       |      |       |      |       |      |      |      |       |      |       |      |       |      |       |      |      |      |       |      |       |      |      |      |       |      |       |      |       |      |       |      |       |      |      |      |       |      |       |      |      |      |       |      |       |      |       |      |       |      |       |      |       |      |       |      |       |      |      |      |       |      |       |      |       |      |       |      |       |      |       |      |       |      |       |      |       |      |       |      |       |      |       |      |       |      |       |      |       |      |       |      |       |      |       |      |       |      |       |      |       |      |       |      |       |      |       |      |       |      |       |      |       |      |       |      |      |      |      |      |       |      |       |      |      |      |      |      |      |      |      |      |      |      |      |      |      |     |      |     |      |      |      |      |      |     |      |     |      |     |      |     |      |     |      |     |      |     |      |     |      |     |      |     |      |     |      |     |      |     |      |     |      |     |      |     |      |     |      |     |      |     |      |     |      |     |  |  |     |     |      |     |      |     |  |  |  |  |  |  |  |  |  |  |
| 29            | 2319       | 50.29    | 1.19                   |             |         | 32            | 2085       | 45.22    | 1.27                   |             |         | 37    | 1810  | 39.25  | 1.41 | 42    | 1620  | 35.14  | 1.51  | 50     | 1345  | 29.16  | 1.75 | 51    | 1327  | 28.41  | 1.74  | 55    | 1222  | 26.50  | 2.3   | 62    | 1092  | 23.68  | 2.6   | 68    | 983   | 21.32  | 2.9   | 76    | 890   | 19.31  | 3.2   | 85    | 789   | 17.12  | 3.6   | 94     | 714   | 15.48  | 4.0   |        |       |        |       |        |      | 7.7    | 12864 | 125.71 | 0.88  | F 127  | 6     |        |       |        |       |        |      | 8.4   | 11732 | 116.00 | 0.96  |       |       |        |       |       |       | 10     | 10153 | 99.73  | 1.11  |        |       |        |      |       |       | 11     | 8958  | 88.00 | 1.26  |        |      |       |       |        |       | 13    | 7737 | 76.00  | 1.46  |        |       |        |       |        |      | 8.5   | 11656 | 172.33 | 0.97  | F 127  | 4    |        |      |        |       |        |      | 9.4    | 10471 | 154.81 | 1.08 |        |      |       |      |        |      | 12    | 8502 | 125.71 | 1.33 |        |      |       |      |        |      | 13    | 7846 | 116.00 | 1.44 |       |      |        |      |       |      | 15    | 6745 | 99.73 | 1.67 |       |      |        |      |       |      | 17     | 5952 | 88.00  | 1.90 |        |      |       |      |        |      | 19    | 5140 | 76.00  | 2.2  |        |      |       |      |        |      | 12    | 7977 | 117.94 | 0.91 | F 107 | 4    |       |      |        |      |        |      | 14   | 6857 | 101.38 | 1.05 |        |      |       |      |       |      | 16    | 6254 | 92.47 | 1.15 |       |      |       |      |       |      | 17    | 5681 | 83.99 | 1.27 |       |      |       |      |       |      | 20    | 5040 | 74.52 | 1.43 |       |      |       |      |       |      | 22    | 4573 | 67.62 | 1.58 |       |      |       |      |       |      | 25   | 3931 | 58.12 | 1.84 |       |      |       |      |       |      | 29    | 3431 | 50.73 | 2.1  |       |      |       |      |       |      | 34    | 2910 | 43.03 | 2.5  |       |      |       |      |       |      | 43    | 2285 | 33.78 | 3.2  |       |      |       |      |       |      | 53    | 1855 | 27.43 | 3.9  |       |      |       |      |       |      | 58    | 1712 | 25.31 | 4.2  |       |      |       |      |       |      | 22    | 4473 | 66.14 | 0.90 | F 97 | 4    |       |      |       |      |       |      | 25    | 3967 | 58.65 | 1.02 |       |      |       |      |       |      | 28    | 3587 | 53.03 | 1.13 |       |      |       |      |       |      | 32    | 3040 | 44.94 | 1.33 |       |      |       |      |       |      | 37    | 2655 | 39.26 | 1.52 |       |      |       |      |       |      | 44    | 2220 | 32.83 | 1.82 |       |      |       |      |       |      | 43    | 2317 | 34.26 | 1.74 |       |      |       |      |       |      | 48    | 2076 | 30.70 | 1.95 |       |      |       |      |       |      | 53    | 1875 | 27.72 | 2.2  |       |      |       |      |       |      | 58    | 1703 | 25.18 | 2.4  |       |      |       |      |       |      | 65    | 1511 | 22.34 | 2.7  |       |      |       |      |       |      | 37    | 2655 | 39.25 | 0.96 | F 87 | 4    |       |      |       |      |       |      | 42    | 2377 | 35.14 | 1.03 |       |      |      |      |       |      | 50    | 1972 | 29.16 | 1.20 |       |      |       |      |       |      | 55    | 1792 | 26.50 | 1.57 |     |      |       |      |       |      | 62    | 1602 | 23.68 | 1.76 |    |      |       |      |       |      | 68    | 1442 | 21.32 | 1.96 |    |      |       |      |       |      | 76    | 1306 | 19.31 | 2.16 |    |      |       |      |       |      | 85    | 1158 | 17.12 | 2.4  |      |      |       |      |       |      | 94    | 1047 | 15.48 | 2.7  |      |      |       |      |       |      | 111   | 887  | 13.12 | 3.2  |      |      |       |      |       |      | 74   | 1332 | 19.70 | 1.06 | F 77  | 4    |       |      |       |      |       |      | 83   | 1183 | 17.49 | 1.19 |       |      |      |      |       |      | 93    | 1058 | 15.64 | 1.33 |       |      |       |      |       |      | 104   | 951  | 14.06 | 1.48 |      |      |       |      |       |      | 120   | 825  | 12.20 | 1.71 |       |      |       |      |       |      | 134   | 739  | 10.93 | 1.91 |       |      |       |      |       |      | 156   | 632  | 9.35  | 1.61 |       |      |       |      |       |      | 176   | 561  | 8.30  | 1.81 |       |      |       |      |       |      | 197   | 502  | 7.42  | 2.0  |       |      |       |      |       |      | 219   | 451  | 6.67 | 2.3  |      |      |       |      |       |      | 252  | 392  | 5.79 | 2.6  |      |      |      |      |      |      | 281  | 351  | 5.19 | 2.9 |      |     |      |      |      |      | 340  | 291 | 4.30 | 3.3 |      |     |      |     |      |     |      |     |      |     |      |     |      |     |      |     |      |     |      |     |      |     |      |     |      |     |      |     |      |     |      |     |      |     |      |     |      |     |  |  |     |     |      |     |      |     |  |  |  |  |  |  |  |  |  |  |
| 32            | 2085       | 45.22    | 1.27                   |             |         | 37            | 1810       | 39.25    | 1.41                   |             |         | 42    | 1620  | 35.14  | 1.51 | 50    | 1345  | 29.16  | 1.75  | 51     | 1327  | 28.41  | 1.74 | 55    | 1222  | 26.50  | 2.3   | 62    | 1092  | 23.68  | 2.6   | 68    | 983   | 21.32  | 2.9   | 76    | 890   | 19.31  | 3.2   | 85    | 789   | 17.12  | 3.6   | 94    | 714   | 15.48  | 4.0   |        |       |        |       |        |       | 7.7    | 12864 | 125.71 | 0.88 | F 127  | 6     |        |       |        |       |        |       | 8.4    | 11732 | 116.00 | 0.96 |       |       |        |       |       |       | 10     | 10153 | 99.73 | 1.11  |        |       |        |       |        |       | 11     | 8958 | 88.00 | 1.26  |        |       |       |       |        |      | 13    | 7737  | 76.00  | 1.46  |       |      |        |       |        |       | 8.5    | 11656 | 172.33 | 0.97 | F 127 | 4     |        |       |        |      |        |      | 9.4    | 10471 | 154.81 | 1.08 |        |       |        |      |        |      | 12    | 8502 | 125.71 | 1.33 |       |      |        |      |        |      | 13    | 7846 | 116.00 | 1.44 |       |      |        |      |       |      | 15     | 6745 | 99.73 | 1.67 |       |      |       |      |       |      | 17     | 5952 | 88.00 | 1.90 |        |      |        |      |        |      | 19    | 5140 | 76.00  | 2.2  |       |      |        |      |        |      | 12    | 7977 | 117.94 | 0.91 | F 107 | 4    |        |      |       |      |       |      | 14     | 6857 | 101.38 | 1.05 |      |      |        |      |        |      | 16    | 6254 | 92.47 | 1.15 |       |      |       |      |       |      | 17    | 5681 | 83.99 | 1.27 |       |      |       |      |       |      | 20    | 5040 | 74.52 | 1.43 |       |      |       |      |       |      | 22    | 4573 | 67.62 | 1.58 |       |      |       |      |       |      | 25    | 3931 | 58.12 | 1.84 |      |      |       |      |       |      | 29    | 3431 | 50.73 | 2.1  |       |      |       |      |       |      | 34    | 2910 | 43.03 | 2.5  |       |      |       |      |       |      | 43    | 2285 | 33.78 | 3.2  |       |      |       |      |       |      | 53    | 1855 | 27.43 | 3.9  |       |      |       |      |       |      | 58    | 1712 | 25.31 | 4.2  |       |      |       |      |       |      | 22    | 4473 | 66.14 | 0.90 | F 97  | 4    |       |      |      |      |       |      | 25    | 3967 | 58.65 | 1.02 |       |      |       |      |       |      | 28    | 3587 | 53.03 | 1.13 |       |      |       |      |       |      | 32    | 3040 | 44.94 | 1.33 |       |      |       |      |       |      | 37    | 2655 | 39.26 | 1.52 |       |      |       |      |       |      | 44    | 2220 | 32.83 | 1.82 |       |      |       |      |       |      | 43    | 2317 | 34.26 | 1.74 |       |      |       |      |       |      | 48    | 2076 | 30.70 | 1.95 |       |      |       |      |       |      | 53    | 1875 | 27.72 | 2.2  |       |      |       |      |       |      | 58    | 1703 | 25.18 | 2.4  |       |      |       |      |       |      | 65    | 1511 | 22.34 | 2.7  |       |      |       |      |       |      | 37    | 2655 | 39.25 | 0.96 | F 87  | 4    |       |      |      |      |       |      | 42    | 2377 | 35.14 | 1.03 |       |      |       |      |       |      | 50   | 1972 | 29.16 | 1.20 |       |      |       |      |       |      | 55    | 1792 | 26.50 | 1.57 |       |      |       |      |     |      | 62    | 1602 | 23.68 | 1.76 |       |      |       |      |    |      | 68    | 1442 | 21.32 | 1.96 |       |      |       |      |    |      | 76    | 1306 | 19.31 | 2.16 |       |      |       |      |    |      | 85    | 1158 | 17.12 | 2.4  |       |      |       |      |      |      | 94    | 1047 | 15.48 | 2.7  |       |      |       |      |      |      | 111   | 887  | 13.12 | 3.2  |       |      |       |      |      |      | 74    | 1332 | 19.70 | 1.06 | F 77 | 4    |       |      |       |      |       |      | 83    | 1183 | 17.49 | 1.19 |      |      |       |      |       |      | 93   | 1058 | 15.64 | 1.33 |       |      |       |      |       |      | 104   | 951  | 14.06 | 1.48 |       |      |       |      |      |      | 120   | 825  | 12.20 | 1.71 |       |      |       |      |       |      | 134   | 739  | 10.93 | 1.91 |       |      |       |      |       |      | 156   | 632  | 9.35  | 1.61 |       |      |       |      |       |      | 176   | 561  | 8.30  | 1.81 |       |      |       |      |       |      | 197   | 502  | 7.42  | 2.0  |       |      |       |      |       |      | 219   | 451  | 6.67  | 2.3  |       |      |      |      |      |      | 252   | 392  | 5.79  | 2.6  |      |      |      |      |      |      | 281  | 351  | 5.19 | 2.9  |      |      |      |     |      |     | 340  | 291  | 4.30 | 3.3  |      |     |      |     |      |     |      |     |      |     |      |     |      |     |      |     |      |     |      |     |      |     |      |     |      |     |      |     |      |     |      |     |      |     |      |     |      |     |      |     |      |     |  |  |     |     |      |     |      |     |  |  |  |  |  |  |  |  |  |  |
| 37            | 1810       | 39.25    | 1.41                   |             |         | 42            | 1620       | 35.14    | 1.51                   |             |         | 50    | 1345  | 29.16  | 1.75 | 51    | 1327  | 28.41  | 1.74  | 55     | 1222  | 26.50  | 2.3  | 62    | 1092  | 23.68  | 2.6   | 68    | 983   | 21.32  | 2.9   | 76    | 890   | 19.31  | 3.2   | 85    | 789   | 17.12  | 3.6   | 94    | 714   | 15.48  | 4.0   |       |       |        |       |        |       | 7.7    | 12864 | 125.71 | 0.88  | F 127  | 6     |        |      |        |       |        |       |        |       | 8.4    | 11732 | 116.00 | 0.96  |        |      |       |       |        |       | 10    | 10153 | 99.73  | 1.11  |       |       |        |       |        |       | 11     | 8958  | 88.00  | 1.26 |       |       |        |       |       |       | 13     | 7737 | 76.00 | 1.46  |        |       |       |      |        |       | 8.5    | 11656 | 172.33 | 0.97  | F 127  | 4    |       |       |        |       |        |      |        |      | 9.4    | 10471 | 154.81 | 1.08 |        |       |        |      |        |      | 12    | 8502 | 125.71 | 1.33 |       |      |        |      |        |      | 13    | 7846 | 116.00 | 1.44 |       |      |        |      |       |      | 15     | 6745 | 99.73 | 1.67 |       |      |       |      |       |      | 17     | 5952 | 88.00 | 1.90 |        |      |        |      |        |      | 19    | 5140 | 76.00  | 2.2  |       |      |        |      |        |      | 12    | 7977 | 117.94 | 0.91 |       |      | F 107  | 4    |       |      |       |      |        |      |        |      | 14   | 6857 | 101.38 | 1.05 |        |      |       |      |       |      | 16    | 6254 | 92.47 | 1.15 |       |      |       |      |       |      | 17    | 5681 | 83.99 | 1.27 |       |      |       |      |       |      | 20    | 5040 | 74.52 | 1.43 |       |      |       |      |       |      | 22    | 4573 | 67.62 | 1.58 |       |      |       |      |       |      | 25   | 3931 | 58.12 | 1.84 |       |      |       |      |       |      | 29    | 3431 | 50.73 | 2.1  |       |      |       |      |       |      | 34    | 2910 | 43.03 | 2.5  |       |      |       |      |       |      | 43    | 2285 | 33.78 | 3.2  |       |      |       |      |       |      | 53    | 1855 | 27.43 | 3.9  |       |      |       |      |       |      | 58    | 1712 | 25.31 | 4.2  |       |      |       |      |       |      |       |      | 22    | 4473 |      |      | 66.14 | 0.90 | F 97  | 4    |       |      |       |      |       |      | 25    | 3967 | 58.65 | 1.02 |       |      |       |      |       |      | 28    | 3587 | 53.03 | 1.13 |       |      |       |      |       |      | 32    | 3040 | 44.94 | 1.33 |       |      |       |      |       |      | 37    | 2655 | 39.26 | 1.52 |       |      |       |      |       |      | 44    | 2220 | 32.83 | 1.82 |       |      |       |      |       |      | 43    | 2317 | 34.26 | 1.74 |       |      |       |      |       |      | 48    | 2076 | 30.70 | 1.95 |       |      |       |      |       |      | 53    | 1875 | 27.72 | 2.2  |       |      |       |      |       |      | 58    | 1703 | 25.18 | 2.4  |       |      |       |      |       |      | 65    | 1511 | 22.34 | 2.7  |       |      |       |      |       |      |      |      | 37    | 2655 | 39.25 | 0.96 | F 87  | 4    |       |      |       |      |       |      | 42   | 2377 | 35.14 | 1.03 |       |      |       |      |       |      | 50    | 1972 | 29.16 | 1.20 |       |      |       |      |     |      | 55    | 1792 | 26.50 | 1.57 |       |      |       |      |    |      | 62    | 1602 | 23.68 | 1.76 |       |      |       |      |    |      | 68    | 1442 | 21.32 | 1.96 |       |      |       |      |    |      | 76    | 1306 | 19.31 | 2.16 |       |      |       |      |      |      | 85    | 1158 | 17.12 | 2.4  |       |      |       |      |      |      | 94    | 1047 | 15.48 | 2.7  |       |      |       |      |      |      | 111   | 887  | 13.12 | 3.2  |      |      |       |      |       |      |       |      | 74    | 1332 | 19.70 | 1.06 | F 77 | 4    |       |      |       |      |      |      | 83    | 1183 | 17.49 | 1.19 |       |      |       |      |       |      | 93    | 1058 | 15.64 | 1.33 |       |      |      |      |       |      | 104   | 951  | 14.06 | 1.48 |       |      |       |      |       |      | 120   | 825  | 12.20 | 1.71 |       |      |       |      |       |      | 134   | 739  | 10.93 | 1.91 |       |      |       |      |       |      | 156   | 632  | 9.35  | 1.61 |       |      |       |      |       |      | 176   | 561  | 8.30  | 1.81 |       |      |       |      |       |      | 197   | 502  | 7.42  | 2.0  |      |      |      |      |       |      | 219   | 451  | 6.67 | 2.3  |      |      |      |      |      |      | 252  | 392  | 5.79 | 2.6  |      |     |      |     |      |      | 281  | 351  | 5.19 | 2.9 |      |     |      |     |      |     | 340  | 291 | 4.30 | 3.3 |      |     |      |     |      |     |      |     |      |     |      |     |      |     |      |     |      |     |      |     |      |     |      |     |      |     |      |     |      |     |  |  |     |     |      |     |      |     |  |  |  |  |  |  |  |  |  |  |
| 42            | 1620       | 35.14    | 1.51                   |             |         | 50            | 1345       | 29.16    | 1.75                   |             |         | 51    | 1327  | 28.41  | 1.74 | 55    | 1222  | 26.50  | 2.3   | 62     | 1092  | 23.68  | 2.6  | 68    | 983   | 21.32  | 2.9   | 76    | 890   | 19.31  | 3.2   | 85    | 789   | 17.12  | 3.6   | 94    | 714   | 15.48  | 4.0   |       |       |        |       |       |       | 7.7    | 12864 | 125.71 | 0.88  | F 127  | 6     |        |       |        |       |        |      |        |       | 8.4    | 11732 |        |       | 116.00 | 0.96  |        |       |        |      |       |       | 10     | 10153 | 99.73 | 1.11  |        |       |       |       |        |       | 11     | 8958  | 88.00  | 1.26  |        |      |       |       |        |       | 13    | 7737  | 76.00  | 1.46 |       |       |        |       |       |      | 8.5    | 11656 | 172.33 | 0.97  | F 127  | 4     |        |      |       |       |        |       |        |      |        |      | 9.4    | 10471 | 154.81 | 1.08 |        |       |        |      |        |      | 12    | 8502 | 125.71 | 1.33 |       |      |        |      |        |      | 13    | 7846 | 116.00 | 1.44 |       |      |        |      |       |      | 15     | 6745 | 99.73 | 1.67 |       |      |       |      |       |      | 17     | 5952 | 88.00 | 1.90 |        |      |        |      |        |      | 19    | 5140 | 76.00  | 2.2  |       |      |        |      |        |      | 12    | 7977 | 117.94 | 0.91 |       |      |        |      |       |      | F 107 | 4    |        |      |        |      |      |      | 14     | 6857 | 101.38 | 1.05 |       |      |       |      |       |      | 16    | 6254 | 92.47 | 1.15 |       |      |       |      |       |      | 17    | 5681 | 83.99 | 1.27 |       |      |       |      |       |      | 20    | 5040 | 74.52 | 1.43 |       |      |       |      |       |      | 22    | 4573 | 67.62 | 1.58 |       |      |       |      |      |      | 25    | 3931 | 58.12 | 1.84 |       |      |       |      |       |      | 29    | 3431 | 50.73 | 2.1  |       |      |       |      |       |      | 34    | 2910 | 43.03 | 2.5  |       |      |       |      |       |      | 43    | 2285 | 33.78 | 3.2  |       |      |       |      |       |      | 53    | 1855 | 27.43 | 3.9  |       |      |       |      |       |      | 58    | 1712 | 25.31 | 4.2  |       |      |       |      |       |      | 22    | 4473 |      |      | 66.14 | 0.90 |       |      | F 97  | 4    |       |      |       |      |       |      | 25    | 3967 | 58.65 | 1.02 |       |      |       |      |       |      | 28    | 3587 | 53.03 | 1.13 |       |      |       |      |       |      | 32    | 3040 | 44.94 | 1.33 |       |      |       |      |       |      | 37    | 2655 | 39.26 | 1.52 |       |      |       |      |       |      | 44    | 2220 | 32.83 | 1.82 |       |      |       |      |       |      | 43    | 2317 | 34.26 | 1.74 |       |      |       |      |       |      | 48    | 2076 | 30.70 | 1.95 |       |      |       |      |       |      | 53    | 1875 | 27.72 | 2.2  |       |      |       |      |       |      | 58    | 1703 | 25.18 | 2.4  |       |      |       |      |       |      | 65    | 1511 | 22.34 | 2.7  |       |      |       |      |      |      |       |      | 37    | 2655 |       |      | 39.25 | 0.96 | F 87  | 4    |       |      |      |      |       |      | 42    | 2377 | 35.14 | 1.03 |       |      |       |      |       |      | 50    | 1972 | 29.16 | 1.20 |     |      |       |      |       |      | 55    | 1792 | 26.50 | 1.57 |    |      |       |      |       |      | 62    | 1602 | 23.68 | 1.76 |    |      |       |      |       |      | 68    | 1442 | 21.32 | 1.96 |    |      |       |      |       |      | 76    | 1306 | 19.31 | 2.16 |      |      |       |      |       |      | 85    | 1158 | 17.12 | 2.4  |      |      |       |      |       |      | 94    | 1047 | 15.48 | 2.7  |      |      |       |      |       |      |      |      | 111   | 887  |       |      | 13.12 | 3.2  |       |      |       |      |      |      | 74    | 1332 | 19.70 | 1.06 | F 77 | 4    |       |      |       |      |       |      | 83    | 1183 | 17.49 | 1.19 |       |      |       |      |       |      | 93   | 1058 | 15.64 | 1.33 |       |      |       |      |       |      | 104   | 951  | 14.06 | 1.48 |       |      |       |      |       |      | 120   | 825  | 12.20 | 1.71 |       |      |       |      |       |      | 134   | 739  | 10.93 | 1.91 |       |      |       |      |       |      | 156   | 632  | 9.35  | 1.61 |       |      |       |      |       |      | 176   | 561  | 8.30  | 1.81 |       |      |       |      |      |      | 197  | 502  | 7.42  | 2.0  |       |      |      |      |      |      | 219  | 451  | 6.67 | 2.3  |      |      |      |      |      |     | 252  | 392 | 5.79 | 2.6  |      |      |      |     |      |     | 281  | 351 | 5.19 | 2.9 |      |     |      |     |      |     | 340  | 291 | 4.30 | 3.3 |      |     |      |     |      |     |      |     |      |     |      |     |      |     |      |     |      |     |      |     |      |     |      |     |  |  |     |     |      |     |      |     |  |  |  |  |  |  |  |  |  |  |
| 50            | 1345       | 29.16    | 1.75                   |             |         | 51            | 1327       | 28.41    | 1.74                   | 55          | 1222    | 26.50 | 2.3   | 62     | 1092 | 23.68 | 2.6   | 68     | 983   | 21.32  | 2.9   | 76     | 890  | 19.31 | 3.2   | 85     | 789   | 17.12 | 3.6   | 94     | 714   | 15.48 | 4.0   |        |       |       |       |        |       | 7.7   | 12864 | 125.71 | 0.88  | F 127 | 6     |        |       |        |       |        |       | 8.4    | 11732 |        |       | 116.00 | 0.96 |        |       |        |       |        |       |        |       | 10     | 10153 | 99.73  | 1.11 |       |       |        |       |       |       | 11     | 8958  | 88.00 | 1.26  |        |       |        |       |        |       | 13     | 7737 | 76.00 | 1.46  |        |       |       |       |        |      | 8.5   | 11656 | 172.33 | 0.97  | F 127 | 4    |        |       |        |       |        |       |        |      |       |       | 9.4    | 10471 |        |      | 154.81 | 1.08 |        |       |        |      |        |       | 12     | 8502 | 125.71 | 1.33 |       |      |        |      |       |      | 13     | 7846 | 116.00 | 1.44 |       |      |        |      |       |      | 15     | 6745 | 99.73 | 1.67 |        |      |       |      |       |      | 17    | 5952 | 88.00 | 1.90 |        |      |       |      |        |      | 19     | 5140 | 76.00  | 2.2  |       |      |        |      |       |      | 12     | 7977 | 117.94 | 0.91 | F 107 | 4    |        |      |       |      |        |      |       |      |       |      | 14     | 6857 | 101.38 | 1.05 |      |      |        |      |        |      | 16    | 6254 | 92.47 | 1.15 |       |      |       |      |       |      | 17    | 5681 | 83.99 | 1.27 |       |      |       |      |       |      | 20    | 5040 | 74.52 | 1.43 |       |      |       |      |       |      | 22    | 4573 | 67.62 | 1.58 |       |      |       |      |       |      | 25    | 3931 | 58.12 | 1.84 |      |      |       |      |       |      | 29    | 3431 | 50.73 | 2.1  |       |      |       |      |       |      | 34    | 2910 | 43.03 | 2.5  |       |      |       |      |       |      | 43    | 2285 | 33.78 | 3.2  |       |      |       |      |       |      | 53    | 1855 | 27.43 | 3.9  |       |      |       |      |       |      | 58    | 1712 | 25.31 | 4.2  |       |      |       |      |       |      | 22    | 4473 | 66.14 | 0.90 |       |      | F 97  | 4    |      |      |       |      |       |      |       |      | 25    | 3967 | 58.65 | 1.02 |       |      |       |      |       |      | 28    | 3587 | 53.03 | 1.13 |       |      |       |      |       |      | 32    | 3040 | 44.94 | 1.33 |       |      |       |      |       |      | 37    | 2655 | 39.26 | 1.52 |       |      |       |      |       |      | 44    | 2220 | 32.83 | 1.82 |       |      |       |      |       |      | 43    | 2317 | 34.26 | 1.74 |       |      |       |      |       |      | 48    | 2076 | 30.70 | 1.95 |       |      |       |      |       |      | 53    | 1875 | 27.72 | 2.2  |       |      |       |      |       |      | 58    | 1703 | 25.18 | 2.4  |       |      |       |      |       |      | 65    | 1511 | 22.34 | 2.7  |       |      |       |      |       |      |       |      | 37    | 2655 |      |      | 39.25 | 0.96 | F 87  | 4    |       |      |       |      |       |      |       |      | 42   | 2377 | 35.14 | 1.03 |       |      |       |      |       |      | 50    | 1972 | 29.16 | 1.20 |       |      |       |      |     |      | 55    | 1792 | 26.50 | 1.57 |       |      |       |      |    |      | 62    | 1602 | 23.68 | 1.76 |       |      |       |      |    |      | 68    | 1442 | 21.32 | 1.96 |       |      |       |      |    |      | 76    | 1306 | 19.31 | 2.16 |       |      |       |      |      |      | 85    | 1158 | 17.12 | 2.4  |       |      |       |      |      |      | 94    | 1047 | 15.48 | 2.7  |       |      |       |      |      |      | 111   | 887  | 13.12 | 3.2  |      |      |       |      |       |      |       |      | 74    | 1332 | 19.70 | 1.06 |      |      | F 77  | 4    |       |      |      |      |       |      | 83    | 1183 | 17.49 | 1.19 |       |      |       |      |       |      | 93    | 1058 | 15.64 | 1.33 |      |      |       |      |       |      | 104   | 951  | 14.06 | 1.48 |       |      |       |      |       |      | 120   | 825  | 12.20 | 1.71 |       |      |       |      |       |      | 134   | 739  | 10.93 | 1.91 |       |      |       |      |       |      | 156   | 632  | 9.35  | 1.61 |       |      |       |      |       |      | 176   | 561  | 8.30  | 1.81 |       |      |       |      |       |      | 197   | 502  | 7.42 | 2.0  |      |      |       |      |       |      | 219  | 451  | 6.67 | 2.3  |      |      |      |      |      |      | 252  | 392  | 5.79 | 2.6 |      |     |      |      |      |      | 281  | 351 | 5.19 | 2.9 |      |     |      |     |      |     | 340  | 291 | 4.30 | 3.3 |      |     |      |     |      |     |      |     |      |     |      |     |      |     |      |     |      |     |      |     |      |     |      |     |      |     |      |     |  |  |     |     |      |     |      |     |  |  |  |  |  |  |  |  |  |  |
| 51            | 1327       | 28.41    | 1.74                   |             |         | 55            | 1222       | 26.50    | 2.3                    | 62          | 1092    | 23.68 | 2.6   | 68     | 983  | 21.32 | 2.9   | 76     | 890   | 19.31  | 3.2   | 85     | 789  | 17.12 | 3.6   | 94     | 714   | 15.48 | 4.0   |        |       |       |       |        |       | 7.7   | 12864 | 125.71 | 0.88  | F 127 | 6     |        |       |       |       |        |       | 8.4    | 11732 |        |       | 116.00 | 0.96  |        |       |        |      |        |       |        |       | 10     | 10153 | 99.73  | 1.11  |        |       |        |      |       |       | 11     | 8958  | 88.00 | 1.26  |        |       |       |       |        |       | 13     | 7737  | 76.00  | 1.46  |        |      |       |       |        |       | 8.5   | 11656 | 172.33 | 0.97 | F 127 | 4     |        |       |       |      |        |       | 9.4    | 10471 |        |       |        |      |       |       | 154.81 | 1.08  |        |      |        |      |        |       |        |      | 12     | 8502  | 125.71 | 1.33 |        |      |       |      |        |      | 13    | 7846 | 116.00 | 1.44 |        |      |       |      |        |      | 15    | 6745 | 99.73  | 1.67 |       |      |        |      |       |      | 17    | 5952 | 88.00 | 1.90 |       |      |        |      |       |      | 19     | 5140 | 76.00  | 2.2  |        |      |       |      |        |      | 12    | 7977 | 117.94 | 0.91 | F 107  | 4    |       |      |        |      |       |      |        |      |       |      |       |      | 14     | 6857 | 101.38 | 1.05 |      |      |        |      |        |      | 16    | 6254 | 92.47 | 1.15 |       |      |       |      |       |      | 17    | 5681 | 83.99 | 1.27 |       |      |       |      |       |      | 20    | 5040 | 74.52 | 1.43 |       |      |       |      |       |      | 22    | 4573 | 67.62 | 1.58 |       |      |       |      |       |      | 25    | 3931 | 58.12 | 1.84 |      |      |       |      |       |      | 29    | 3431 | 50.73 | 2.1  |       |      |       |      |       |      | 34    | 2910 | 43.03 | 2.5  |       |      |       |      |       |      | 43    | 2285 | 33.78 | 3.2  |       |      |       |      |       |      | 53    | 1855 | 27.43 | 3.9  |       |      |       |      |       |      | 58    | 1712 | 25.31 | 4.2  |       |      |       |      |       |      | 22    | 4473 | 66.14 | 0.90 |       |      |       |      |      |      | F 97  | 4    |       |      |       |      |       |      |       |      |       |      | 25    | 3967 | 58.65 | 1.02 |       |      |       |      |       |      | 28    | 3587 | 53.03 | 1.13 |       |      |       |      |       |      | 32    | 3040 | 44.94 | 1.33 |       |      |       |      |       |      | 37    | 2655 | 39.26 | 1.52 |       |      |       |      |       |      | 44    | 2220 | 32.83 | 1.82 |       |      |       |      |       |      | 43    | 2317 | 34.26 | 1.74 |       |      |       |      |       |      | 48    | 2076 | 30.70 | 1.95 |       |      |       |      |       |      | 53    | 1875 | 27.72 | 2.2  |       |      |       |      |       |      | 58    | 1703 | 25.18 | 2.4  |       |      |       |      |       |      | 65    | 1511 | 22.34 | 2.7  |       |      |       |      |      |      |       |      |       |      |       |      | 37    | 2655 |       |      | 39.25 | 0.96 | F 87 | 4    |       |      |       |      |       |      | 42    | 2377 | 35.14 | 1.03 |       |      |       |      |       |      | 50  | 1972 | 29.16 | 1.20 |       |      |       |      |       |      | 55 | 1792 | 26.50 | 1.57 |       |      |       |      |       |      | 62 | 1602 | 23.68 | 1.76 |       |      |       |      |       |      | 68 | 1442 | 21.32 | 1.96 |       |      |       |      |       |      | 76   | 1306 | 19.31 | 2.16 |       |      |       |      |       |      | 85   | 1158 | 17.12 | 2.4  |       |      |       |      |       |      | 94   | 1047 | 15.48 | 2.7  |       |      |      |      |       |      |       |      | 111   | 887  | 13.12 | 3.2  |       |      |      |      |       |      | 74    | 1332 |      |      | 19.70 | 1.06 | F 77  | 4    |       |      |       |      |       |      | 83    | 1183 | 17.49 | 1.19 |       |      |      |      |       |      | 93    | 1058 | 15.64 | 1.33 |       |      |       |      |       |      | 104   | 951  | 14.06 | 1.48 |       |      |       |      |       |      | 120   | 825  | 12.20 | 1.71 |       |      |       |      |       |      | 134   | 739  | 10.93 | 1.91 |       |      |       |      |       |      | 156   | 632  | 9.35  | 1.61 |       |      |       |      |       |      | 176   | 561  | 8.30  | 1.81 |      |      |      |      |       |      | 197   | 502  | 7.42 | 2.0  |      |      |      |      |      |      | 219  | 451  | 6.67 | 2.3  |      |     |      |     |      |      | 252  | 392  | 5.79 | 2.6 |      |     |      |     |      |     | 281  | 351 | 5.19 | 2.9 |      |     |      |     |      |     | 340  | 291 | 4.30 | 3.3 |      |     |      |     |      |     |      |     |      |     |      |     |      |     |      |     |      |     |      |     |  |  |     |     |      |     |      |     |  |  |  |  |  |  |  |  |  |  |
| 55            | 1222       | 26.50    | 2.3                    |             |         | 62            | 1092       | 23.68    | 2.6                    | 68          | 983     | 21.32 | 2.9   | 76     | 890  | 19.31 | 3.2   | 85     | 789   | 17.12  | 3.6   | 94     | 714  | 15.48 | 4.0   |        |       |       |       |        |       | 7.7   | 12864 | 125.71 | 0.88  | F 127 | 6     |        |       |       |       |        |       |       |       | 8.4    | 11732 | 116.00 | 0.96  |        |       |        |       |        |       |        |      | 10     | 10153 | 99.73  | 1.11  |        |       |        |       |        |       | 11     | 8958 | 88.00 | 1.26  |        |       |       |       |        |       | 13    | 7737  | 76.00  | 1.46  |        |       |        |       |        |      | 8.5   | 11656 | 172.33 | 0.97  | F 127 | 4     |        |      |       |       |        |       |       |      | 9.4    | 10471 | 154.81 | 1.08  |        |       |        |      |       |       |        |       |        |      |        |      | 12     | 8502  | 125.71 | 1.33 |        |       |        |      |        |      | 13    | 7846 | 116.00 | 1.44 |       |      |        |      |        |      | 15    | 6745 | 99.73  | 1.67 |       |      |        |      |       |      | 17     | 5952 | 88.00 | 1.90 |       |      |       |      |       |      | 19     | 5140 | 76.00 | 2.2  |        |      |        |      |        |      | 12    | 7977 | 117.94 | 0.91 | F 107 | 4    |        |      |        |      |       |      | 14     | 6857 |       |      |        |      |       |      |       |      | 101.38 | 1.05 |        |      |      |      |        |      | 16     | 6254 | 92.47 | 1.15 |       |      |       |      |       |      | 17    | 5681 | 83.99 | 1.27 |       |      |       |      |       |      | 20    | 5040 | 74.52 | 1.43 |       |      |       |      |       |      | 22    | 4573 | 67.62 | 1.58 |       |      |       |      |       |      | 25    | 3931 | 58.12 | 1.84 |       |      |      |      |       |      | 29    | 3431 | 50.73 | 2.1  |       |      |       |      |       |      | 34    | 2910 | 43.03 | 2.5  |       |      |       |      |       |      | 43    | 2285 | 33.78 | 3.2  |       |      |       |      |       |      | 53    | 1855 | 27.43 | 3.9  |       |      |       |      |       |      | 58    | 1712 | 25.31 | 4.2  |       |      |       |      |       |      | 22    | 4473 | 66.14 | 0.90 | F 97  | 4    |       |      |       |      |      |      |       |      |       |      |       |      |       |      |       |      |       |      | 25    | 3967 | 58.65 | 1.02 |       |      |       |      |       |      | 28    | 3587 | 53.03 | 1.13 |       |      |       |      |       |      | 32    | 3040 | 44.94 | 1.33 |       |      |       |      |       |      | 37    | 2655 | 39.26 | 1.52 |       |      |       |      |       |      | 44    | 2220 | 32.83 | 1.82 |       |      |       |      |       |      | 43    | 2317 | 34.26 | 1.74 |       |      |       |      |       |      | 48    | 2076 | 30.70 | 1.95 |       |      |       |      |       |      | 53    | 1875 | 27.72 | 2.2  |       |      |       |      |       |      | 58    | 1703 | 25.18 | 2.4  |       |      |       |      |       |      | 65    | 1511 | 22.34 | 2.7  |       |      |       |      |      |      |       |      |       |      |       |      | 37    | 2655 |       |      | 39.25 | 0.96 |      |      | F 87  | 4    |       |      |       |      |       |      | 42    | 2377 | 35.14 | 1.03 |       |      |       |      |     |      | 50    | 1972 | 29.16 | 1.20 |       |      |       |      |    |      | 55    | 1792 | 26.50 | 1.57 |       |      |       |      |    |      | 62    | 1602 | 23.68 | 1.76 |       |      |       |      |    |      | 68    | 1442 | 21.32 | 1.96 |       |      |       |      |      |      | 76    | 1306 | 19.31 | 2.16 |       |      |       |      |      |      | 85    | 1158 | 17.12 | 2.4  |       |      |       |      |      |      | 94    | 1047 | 15.48 | 2.7  |      |      |       |      |       |      |       |      | 111   | 887  | 13.12 | 3.2  |      |      |       |      |       |      |      |      |       |      |       |      | 74    | 1332 | 19.70 | 1.06 | F 77  | 4    |       |      |       |      |       |      | 83   | 1183 | 17.49 | 1.19 |       |      |       |      |       |      | 93    | 1058 | 15.64 | 1.33 |       |      |       |      |       |      | 104   | 951  | 14.06 | 1.48 |       |      |       |      |       |      | 120   | 825  | 12.20 | 1.71 |       |      |       |      |       |      | 134   | 739  | 10.93 | 1.91 |       |      |       |      |       |      | 156   | 632  | 9.35  | 1.61 |       |      |       |      |      |      | 176  | 561  | 8.30  | 1.81 |       |      |      |      |      |      | 197  | 502  | 7.42 | 2.0  |      |      |      |      |      |     | 219  | 451 | 6.67 | 2.3  |      |      |      |     |      |     | 252  | 392 | 5.79 | 2.6 |      |     |      |     |      |     | 281  | 351 | 5.19 | 2.9 |      |     |      |     |      |     | 340  | 291 | 4.30 | 3.3 |      |     |      |     |      |     |      |     |      |     |      |     |      |     |  |  |     |     |      |     |      |     |  |  |  |  |  |  |  |  |  |  |
| 62            | 1092       | 23.68    | 2.6                    |             |         | 68            | 983        | 21.32    | 2.9                    | 76          | 890     | 19.31 | 3.2   | 85     | 789  | 17.12 | 3.6   | 94     | 714   | 15.48  | 4.0   |        |      |       |       |        |       | 7.7   | 12864 | 125.71 | 0.88  | F 127 | 6     |        |       |       |       |        |       |       |       | 8.4    | 11732 |       |       | 116.00 | 0.96  |        |       |        |       |        |       | 10     | 10153 | 99.73  | 1.11 |        |       |        |       |        |       | 11     | 8958  | 88.00  | 1.26  |        |      |       |       |        |       | 13    | 7737  | 76.00  | 1.46  |       |       |        |       |        |       | 8.5    | 11656 | 172.33 | 0.97 | F 127 | 4     |        |       |       |       |        |      |       |       | 9.4    | 10471 |       |      | 154.81 | 1.08  |        |       |        |       |        |      |       |       | 12     | 8502  |        |      | 125.71 | 1.33 |        |       |        |      |        |       | 13     | 7846 | 116.00 | 1.44 |       |      |        |      |       |      | 15     | 6745 | 99.73  | 1.67 |       |      |        |      |       |      | 17     | 5952 | 88.00 | 1.90 |        |      |       |      |       |      | 19    | 5140 | 76.00 | 2.2  |        |      |       |      |        |      | 12     | 7977 | 117.94 | 0.91 | F 107 | 4    |        |      |       |      |        |      |        |      |       |      | 14     | 6857 |       |      |        |      |       |      |       |      | 101.38 | 1.05 |        |      |      |      |        |      | 16     | 6254 | 92.47 | 1.15 |       |      |       |      |       |      | 17    | 5681 | 83.99 | 1.27 |       |      |       |      |       |      | 20    | 5040 | 74.52 | 1.43 |       |      |       |      |       |      | 22    | 4573 | 67.62 | 1.58 |       |      |       |      |       |      | 25    | 3931 | 58.12 | 1.84 |       |      |      |      |       |      | 29    | 3431 | 50.73 | 2.1  |       |      |       |      |       |      | 34    | 2910 | 43.03 | 2.5  |       |      |       |      |       |      | 43    | 2285 | 33.78 | 3.2  |       |      |       |      |       |      | 53    | 1855 | 27.43 | 3.9  |       |      |       |      |       |      | 58    | 1712 | 25.31 | 4.2  |       |      |       |      |       |      | 22    | 4473 | 66.14 | 0.90 |       |      |       |      |       |      |      |      |       |      |       |      |       |      | F 97  | 4    |       |      |       |      |       |      | 25    | 3967 | 58.65 | 1.02 |       |      |       |      |       |      | 28    | 3587 | 53.03 | 1.13 |       |      |       |      |       |      | 32    | 3040 | 44.94 | 1.33 |       |      |       |      |       |      | 37    | 2655 | 39.26 | 1.52 |       |      |       |      |       |      | 44    | 2220 | 32.83 | 1.82 |       |      |       |      |       |      | 43    | 2317 | 34.26 | 1.74 |       |      |       |      |       |      | 48    | 2076 | 30.70 | 1.95 |       |      |       |      |       |      | 53    | 1875 | 27.72 | 2.2  |       |      |       |      |       |      | 58    | 1703 | 25.18 | 2.4  |       |      |       |      |       |      | 65    | 1511 |       |      | 22.34 | 2.7  |      |      |       |      |       |      |       |      | 37    | 2655 |       |      | 39.25 | 0.96 |      |      |       |      | F 87  | 4    |       |      |       |      |       |      | 42    | 2377 | 35.14 | 1.03 |       |      |     |      |       |      | 50    | 1972 | 29.16 | 1.20 |       |      |    |      |       |      | 55    | 1792 | 26.50 | 1.57 |       |      |    |      |       |      | 62    | 1602 | 23.68 | 1.76 |       |      |    |      |       |      | 68    | 1442 | 21.32 | 1.96 |       |      |      |      |       |      | 76    | 1306 | 19.31 | 2.16 |       |      |      |      |       |      | 85    | 1158 | 17.12 | 2.4  |       |      |      |      |       |      | 94    | 1047 |      |      | 15.48 | 2.7  |       |      |       |      |       |      |       |      |      |      |       |      | 111   | 887  |      |      | 13.12 | 3.2  |       |      |       |      |       |      |       |      | 74    | 1332 | 19.70 | 1.06 | F 77  | 4    |      |      |       |      |       |      | 83    | 1183 | 17.49 | 1.19 |       |      |       |      |       |      | 93    | 1058 | 15.64 | 1.33 |       |      |       |      |       |      | 104   | 951  | 14.06 | 1.48 |       |      |       |      |       |      | 120   | 825  | 12.20 | 1.71 |       |      |       |      |       |      | 134   | 739  | 10.93 | 1.91 |       |      |       |      |       |      | 156   | 632  | 9.35 | 1.61 |      |      |       |      |       |      | 176  | 561  | 8.30 | 1.81 |      |      |      |      |      |      | 197  | 502  | 7.42 | 2.0 |      |     |      |      |      |      | 219  | 451 | 6.67 | 2.3 |      |     |      |     |      |     | 252  | 392 | 5.79 | 2.6 |      |     |      |     |      |     | 281  | 351 | 5.19 | 2.9 |      |     |      |     |      |     | 340  | 291 | 4.30 | 3.3 |      |     |      |     |      |     |      |     |  |  |     |     |      |     |      |     |  |  |  |  |  |  |  |  |  |  |
| 68            | 983        | 21.32    | 2.9                    |             |         | 76            | 890        | 19.31    | 3.2                    | 85          | 789     | 17.12 | 3.6   | 94     | 714  | 15.48 | 4.0   |        |       |        |       |        |      | 7.7   | 12864 | 125.71 | 0.88  | F 127 | 6     |        |       |       |       |        |       |       |       | 8.4    | 11732 |       |       | 116.00 | 0.96  |       |       |        |       |        |       |        |       | 10     | 10153 | 99.73  | 1.11  |        |      |        |       |        |       | 11     | 8958  | 88.00  | 1.26  |        |       |        |      |       |       | 13     | 7737  | 76.00 | 1.46  |        |       |       |       |        |       | 8.5    | 11656 | 172.33 | 0.97  | F 127  | 4    |       |       |        |       |       |       |        |      |       |       | 9.4    | 10471 |       |      | 154.81 | 1.08  |        |       |        |       |        |      |       |       | 12     | 8502  |        |      | 125.71 | 1.33 |        |       |        |      |        |       | 13     | 7846 | 116.00 | 1.44 |       |      |        |      |       |      | 15     | 6745 | 99.73  | 1.67 |       |      |        |      |       |      | 17     | 5952 | 88.00 | 1.90 |        |      |       |      |       |      | 19    | 5140 | 76.00 | 2.2  |        |      |       |      |        |      | 12     | 7977 | 117.94 | 0.91 |       |      | F 107  | 4    |       |      |        |      |        |      |       |      | 14     | 6857 |       |      |        |      |       |      |       |      | 101.38 | 1.05 |        |      |      |      |        |      | 16     | 6254 | 92.47 | 1.15 |       |      |       |      |       |      | 17    | 5681 | 83.99 | 1.27 |       |      |       |      |       |      | 20    | 5040 | 74.52 | 1.43 |       |      |       |      |       |      | 22    | 4573 | 67.62 | 1.58 |       |      |       |      |       |      | 25    | 3931 | 58.12 | 1.84 |       |      |      |      |       |      | 29    | 3431 | 50.73 | 2.1  |       |      |       |      |       |      | 34    | 2910 | 43.03 | 2.5  |       |      |       |      |       |      | 43    | 2285 | 33.78 | 3.2  |       |      |       |      |       |      | 53    | 1855 | 27.43 | 3.9  |       |      |       |      |       |      | 58    | 1712 | 25.31 | 4.2  |       |      |       |      |       |      | 22    | 4473 | 66.14 | 0.90 |       |      |       |      |       |      |      |      |       |      |       |      |       |      |       |      | F 97  | 4    |       |      |       |      |       |      | 25    | 3967 | 58.65 | 1.02 |       |      |       |      |       |      | 28    | 3587 | 53.03 | 1.13 |       |      |       |      |       |      | 32    | 3040 | 44.94 | 1.33 |       |      |       |      |       |      | 37    | 2655 | 39.26 | 1.52 |       |      |       |      |       |      | 44    | 2220 | 32.83 | 1.82 |       |      |       |      |       |      | 43    | 2317 | 34.26 | 1.74 |       |      |       |      |       |      | 48    | 2076 | 30.70 | 1.95 |       |      |       |      |       |      | 53    | 1875 | 27.72 | 2.2  |       |      |       |      |       |      | 58    | 1703 | 25.18 | 2.4  |       |      |       |      |       |      |       |      | 65    | 1511 |      |      | 22.34 | 2.7  |       |      |       |      |       |      |       |      |       |      |      |      |       |      |       |      | 37    | 2655 | 39.25 | 0.96 | F 87  | 4    |       |      |       |      |       |      | 42  | 2377 | 35.14 | 1.03 |       |      |       |      |       |      | 50 | 1972 | 29.16 | 1.20 |       |      |       |      |       |      | 55 | 1792 | 26.50 | 1.57 |       |      |       |      |       |      | 62 | 1602 | 23.68 | 1.76 |       |      |       |      |       |      | 68   | 1442 | 21.32 | 1.96 |       |      |       |      |       |      | 76   | 1306 | 19.31 | 2.16 |       |      |       |      |       |      | 85   | 1158 | 17.12 | 2.4  |       |      |      |      |       |      |       |      | 94    | 1047 | 15.48 | 2.7  |       |      |      |      |       |      | 111   | 887  |      |      | 13.12 | 3.2  |       |      |       |      |       |      |       |      | 74    | 1332 | 19.70 | 1.06 |       |      | F 77 | 4    |       |      |       |      |       |      | 83    | 1183 | 17.49 | 1.19 |       |      |       |      |       |      | 93    | 1058 | 15.64 | 1.33 |       |      |       |      |       |      | 104   | 951  | 14.06 | 1.48 |       |      |       |      |       |      | 120   | 825  | 12.20 | 1.71 |       |      |       |      |       |      | 134   | 739  | 10.93 | 1.91 |       |      |       |      |       |      | 156  | 632  | 9.35 | 1.61 |       |      |       |      |      |      | 176  | 561  | 8.30 | 1.81 |      |      |      |      |      |      | 197  | 502 | 7.42 | 2.0 |      |      |      |      |      |     | 219  | 451 | 6.67 | 2.3 |      |     |      |     |      |     | 252  | 392 | 5.79 | 2.6 |      |     |      |     |      |     | 281  | 351 | 5.19 | 2.9 |      |     |      |     |      |     | 340  | 291 | 4.30 | 3.3 |      |     |      |     |      |     |  |  |     |     |      |     |      |     |  |  |  |  |  |  |  |  |  |  |
| 76            | 890        | 19.31    | 3.2                    |             |         | 85            | 789        | 17.12    | 3.6                    | 94          | 714     | 15.48 | 4.0   |        |      |       |       |        |       | 7.7    | 12864 | 125.71 | 0.88 | F 127 | 6     |        |       |       |       |        |       |       |       | 8.4    | 11732 |       |       | 116.00 | 0.96  |       |       |        |       |       |       |        |       | 10     | 10153 | 99.73  | 1.11  |        |       |        |       |        |      | 11     | 8958  | 88.00  | 1.26  |        |       |        |       |        |       | 13     | 7737 | 76.00 | 1.46  |        |       |       |       |        |       | 8.5   | 11656 | 172.33 | 0.97  | F 127  | 4     |        |       |        |      |       |       | 9.4    | 10471 |       |       | 154.81 | 1.08 |       |       |        |       |       |      |        |       | 12     | 8502  |        |       |        |      |       |       | 125.71 | 1.33  |        |      |        |      |        |       |        |      | 13     | 7846  | 116.00 | 1.44 |        |      |       |      |        |      | 15    | 6745 | 99.73  | 1.67 |        |      |       |      |        |      | 17    | 5952 | 88.00  | 1.90 |       |      |        |      |       |      | 19    | 5140 | 76.00 | 2.2  |       |      |        |      |       |      | 12     | 7977 | 117.94 | 0.91 | F 107  | 4    |       |      |        |      |       |      |        |      |        |      |       |      | 14     | 6857 |       |      |        |      |       |      |       |      | 101.38 | 1.05 |        |      |      |      |        |      | 16     | 6254 | 92.47 | 1.15 |       |      |       |      |       |      | 17    | 5681 | 83.99 | 1.27 |       |      |       |      |       |      | 20    | 5040 | 74.52 | 1.43 |       |      |       |      |       |      | 22    | 4573 | 67.62 | 1.58 |       |      |       |      |       |      | 25    | 3931 | 58.12 | 1.84 |       |      |      |      |       |      | 29    | 3431 | 50.73 | 2.1  |       |      |       |      |       |      | 34    | 2910 | 43.03 | 2.5  |       |      |       |      |       |      | 43    | 2285 | 33.78 | 3.2  |       |      |       |      |       |      | 53    | 1855 | 27.43 | 3.9  |       |      |       |      |       |      | 58    | 1712 | 25.31 | 4.2  |       |      |       |      |       |      | 22    | 4473 | 66.14 | 0.90 |       |      |       |      |       |      |      |      |       |      |       |      |       |      |       |      |       |      | F 97  | 4    |       |      |       |      |       |      | 25    | 3967 | 58.65 | 1.02 |       |      |       |      |       |      | 28    | 3587 | 53.03 | 1.13 |       |      |       |      |       |      | 32    | 3040 | 44.94 | 1.33 |       |      |       |      |       |      | 37    | 2655 | 39.26 | 1.52 |       |      |       |      |       |      | 44    | 2220 | 32.83 | 1.82 |       |      |       |      |       |      | 43    | 2317 | 34.26 | 1.74 |       |      |       |      |       |      | 48    | 2076 | 30.70 | 1.95 |       |      |       |      |       |      | 53    | 1875 | 27.72 | 2.2  |       |      |       |      |       |      | 58    | 1703 | 25.18 | 2.4  |       |      |       |      |       |      | 65    | 1511 |      |      | 22.34 | 2.7  |       |      |       |      |       |      |       |      |       |      |      |      |       |      |       |      | 37    | 2655 | 39.25 | 0.96 |       |      | F 87  | 4    |       |      |       |      |     |      | 42    | 2377 | 35.14 | 1.03 |       |      |       |      |    |      | 50    | 1972 | 29.16 | 1.20 |       |      |       |      |    |      | 55    | 1792 | 26.50 | 1.57 |       |      |       |      |    |      | 62    | 1602 | 23.68 | 1.76 |       |      |       |      |      |      | 68    | 1442 | 21.32 | 1.96 |       |      |       |      |      |      | 76    | 1306 | 19.31 | 2.16 |       |      |       |      |      |      | 85    | 1158 | 17.12 | 2.4  |      |      |       |      |       |      |       |      | 94    | 1047 | 15.48 | 2.7  |      |      |       |      |       |      |      |      |       |      |       |      | 111   | 887  | 13.12 | 3.2  |       |      |       |      |       |      |       |      |      |      | 74    | 1332 | 19.70 | 1.06 | F 77  | 4    |       |      |       |      |       |      | 83    | 1183 | 17.49 | 1.19 |       |      |       |      |       |      | 93    | 1058 | 15.64 | 1.33 |       |      |       |      |       |      | 104   | 951  | 14.06 | 1.48 |       |      |       |      |       |      | 120   | 825  | 12.20 | 1.71 |       |      |       |      |       |      | 134   | 739  | 10.93 | 1.91 |      |      |      |      |       |      | 156   | 632  | 9.35 | 1.61 |      |      |      |      |      |      | 176  | 561  | 8.30 | 1.81 |      |     |      |     |      |      | 197  | 502  | 7.42 | 2.0 |      |     |      |     |      |     | 219  | 451 | 6.67 | 2.3 |      |     |      |     |      |     | 252  | 392 | 5.79 | 2.6 |      |     |      |     |      |     | 281  | 351 | 5.19 | 2.9 |      |     |      |     |      |     | 340  | 291 | 4.30 | 3.3 |  |  |     |     |      |     |      |     |  |  |  |  |  |  |  |  |  |  |
| 85            | 789        | 17.12    | 3.6                    |             |         | 94            | 714        | 15.48    | 4.0                    |             |         |       |       |        |      | 7.7   | 12864 | 125.71 | 0.88  | F 127  | 6     |        |      |       |       |        |       |       |       | 8.4    | 11732 |       |       | 116.00 | 0.96  |       |       |        |       |       |       |        |       | 10    | 10153 | 99.73  | 1.11  |        |       |        |       |        |       | 11     | 8958  | 88.00  | 1.26 |        |       |        |       |        |       | 13     | 7737  | 76.00  | 1.46  |        |      |       |       |        |       | 8.5   | 11656 | 172.33 | 0.97  | F 127 | 4     |        |       |        |       |        |       |        |      |       |       | 9.4    | 10471 |       |       | 154.81 | 1.08 |       |       |        |       |       |      |        |       | 12     | 8502  |        |       |        |      |       |       | 125.71 | 1.33  |        |      |        |      |        |       | 13     | 7846 | 116.00 | 1.44  |        |      |        |      |       |      | 15     | 6745 | 99.73 | 1.67 |        |      |        |      |       |      | 17     | 5952 | 88.00 | 1.90 |        |      |       |      |        |      | 19    | 5140 | 76.00 | 2.2  |       |      |       |      |        |      | 12    | 7977 | 117.94 | 0.91 | F 107  | 4    |        |      |       |      |        |      |       |      |        |      |        |      |       |      | 14     | 6857 |       |      |        |      |       |      |       |      | 101.38 | 1.05 |        |      |      |      |        |      | 16     | 6254 | 92.47 | 1.15 |       |      |       |      |       |      | 17    | 5681 | 83.99 | 1.27 |       |      |       |      |       |      | 20    | 5040 | 74.52 | 1.43 |       |      |       |      |       |      | 22    | 4573 | 67.62 | 1.58 |       |      |       |      |       |      | 25    | 3931 | 58.12 | 1.84 |       |      |      |      |       |      | 29    | 3431 | 50.73 | 2.1  |       |      |       |      |       |      | 34    | 2910 | 43.03 | 2.5  |       |      |       |      |       |      | 43    | 2285 | 33.78 | 3.2  |       |      |       |      |       |      | 53    | 1855 | 27.43 | 3.9  |       |      |       |      |       |      | 58    | 1712 | 25.31 | 4.2  |       |      |       |      |       |      | 22    | 4473 | 66.14 | 0.90 |       |      |       |      |       |      |      |      |       |      |       |      |       |      |       |      |       |      |       |      | F 97  | 4    |       |      |       |      |       |      | 25    | 3967 | 58.65 | 1.02 |       |      |       |      |       |      | 28    | 3587 | 53.03 | 1.13 |       |      |       |      |       |      | 32    | 3040 | 44.94 | 1.33 |       |      |       |      |       |      | 37    | 2655 | 39.26 | 1.52 |       |      |       |      |       |      | 44    | 2220 | 32.83 | 1.82 |       |      |       |      |       |      | 43    | 2317 | 34.26 | 1.74 |       |      |       |      |       |      | 48    | 2076 | 30.70 | 1.95 |       |      |       |      |       |      | 53    | 1875 | 27.72 | 2.2  |       |      |       |      |       |      | 58    | 1703 | 25.18 | 2.4  |       |      |       |      |       |      | 65   | 1511 | 22.34 | 2.7  |       |      |       |      |       |      |       |      |       |      |      |      |       |      |       |      | 37    | 2655 | 39.25 | 0.96 |       |      |       |      | F 87  | 4    |       |      |     |      |       |      | 42    | 2377 | 35.14 | 1.03 |       |      |    |      |       |      | 50    | 1972 | 29.16 | 1.20 |       |      |    |      |       |      | 55    | 1792 | 26.50 | 1.57 |       |      |    |      |       |      | 62    | 1602 | 23.68 | 1.76 |       |      |      |      |       |      | 68    | 1442 | 21.32 | 1.96 |       |      |      |      |       |      | 76    | 1306 | 19.31 | 2.16 |       |      |      |      |       |      | 85    | 1158 |      |      | 17.12 | 2.4  |       |      |       |      |       |      |       |      |      |      |       |      | 94    | 1047 |      |      | 15.48 | 2.7  |       |      |       |      |       |      |       |      | 111   | 887  | 13.12 | 3.2  |       |      |      |      |       |      |       |      |       |      | 74    | 1332 | 19.70 | 1.06 | F 77  | 4    |       |      |       |      |       |      | 83    | 1183 | 17.49 | 1.19 |       |      |       |      |       |      | 93    | 1058 | 15.64 | 1.33 |       |      |       |      |       |      | 104   | 951  | 14.06 | 1.48 |       |      |       |      |       |      | 120   | 825  | 12.20 | 1.71 |       |      |       |      |      |      | 134  | 739  | 10.93 | 1.91 |       |      |      |      |      |      | 156  | 632  | 9.35 | 1.61 |      |      |      |      |      |     | 176  | 561 | 8.30 | 1.81 |      |      |      |     |      |     | 197  | 502 | 7.42 | 2.0 |      |     |      |     |      |     | 219  | 451 | 6.67 | 2.3 |      |     |      |     |      |     | 252  | 392 | 5.79 | 2.6 |      |     |      |     |      |     | 281  | 351 | 5.19 | 2.9 |      |     |      |     |  |  | 340 | 291 | 4.30 | 3.3 |      |     |  |  |  |  |  |  |  |  |  |  |
| 94            | 714        | 15.48    | 4.0                    |             |         |               |            |          |                        |             |         | 7.7   | 12864 | 125.71 | 0.88 | F 127 | 6     |        |       |        |       |        |      |       |       | 8.4    | 11732 |       |       | 116.00 | 0.96  |       |       |        |       |       |       |        |       | 10    | 10153 | 99.73  | 1.11  |       |       |        |       |        |       | 11     | 8958  | 88.00  | 1.26  |        |       |        |      |        |       | 13     | 7737  | 76.00  | 1.46  |        |       |        |       |        |      | 8.5   | 11656 | 172.33 | 0.97  | F 127 | 4     |        |       |       |       |        |       |        |       | 9.4    | 10471 |        |      |       |       | 154.81 | 1.08  |       |       |        |      |       |       |        |       |       |      | 12     | 8502  | 125.71 | 1.33  |        |       |        |      |       |       |        |       |        |      | 13     | 7846 | 116.00 | 1.44  |        |      |        |       |        |      | 15     | 6745 | 99.73 | 1.67 |        |      |       |      |        |      | 17     | 5952 | 88.00 | 1.90 |        |      |       |      |        |      | 19    | 5140 | 76.00  | 2.2  |       |      |       |      |       |      | 12    | 7977 | 117.94 | 0.91 | F 107 | 4    |        |      |        |      |        |      |       |      |        |      |       |      | 14     | 6857 |        |      |       |      | 101.38 | 1.05 |       |      |        |      |       |      |       |      |        |      |        |      |      |      | 16     | 6254 | 92.47  | 1.15 |       |      |       |      |       |      | 17    | 5681 | 83.99 | 1.27 |       |      |       |      |       |      | 20    | 5040 | 74.52 | 1.43 |       |      |       |      |       |      | 22    | 4573 | 67.62 | 1.58 |       |      |       |      |       |      | 25    | 3931 | 58.12 | 1.84 |       |      |       |      |      |      | 29    | 3431 | 50.73 | 2.1  |       |      |       |      |       |      | 34    | 2910 | 43.03 | 2.5  |       |      |       |      |       |      | 43    | 2285 | 33.78 | 3.2  |       |      |       |      |       |      | 53    | 1855 | 27.43 | 3.9  |       |      |       |      |       |      | 58    | 1712 | 25.31 | 4.2  |       |      |       |      |       |      | 22    | 4473 | 66.14 | 0.90 | F 97  | 4    |       |      |       |      |       |      |      |      |       |      |       |      |       |      |       |      |       |      |       |      |       |      |       |      |       |      |       |      | 25    | 3967 | 58.65 | 1.02 |       |      |       |      |       |      | 28    | 3587 | 53.03 | 1.13 |       |      |       |      |       |      | 32    | 3040 | 44.94 | 1.33 |       |      |       |      |       |      | 37    | 2655 | 39.26 | 1.52 |       |      |       |      |       |      | 44    | 2220 | 32.83 | 1.82 |       |      |       |      |       |      | 43    | 2317 | 34.26 | 1.74 |       |      |       |      |       |      | 48    | 2076 | 30.70 | 1.95 |       |      |       |      |       |      | 53    | 1875 | 27.72 | 2.2  |       |      |       |      |       |      | 58    | 1703 | 25.18 | 2.4  |       |      |       |      |       |      | 65   | 1511 | 22.34 | 2.7  |       |      |       |      |       |      |       |      |       |      |      |      |       |      |       |      | 37    | 2655 | 39.25 | 0.96 |       |      |       |      |       |      | F 87  | 4    |     |      |       |      |       |      | 42    | 2377 | 35.14 | 1.03 |    |      |       |      |       |      | 50    | 1972 | 29.16 | 1.20 |    |      |       |      |       |      | 55    | 1792 | 26.50 | 1.57 |    |      |       |      |       |      | 62    | 1602 | 23.68 | 1.76 |      |      |       |      |       |      | 68    | 1442 | 21.32 | 1.96 |      |      |       |      |       |      | 76    | 1306 | 19.31 | 2.16 |      |      |       |      |       |      |      |      | 85    | 1158 |       |      | 17.12 | 2.4  |       |      |       |      |      |      |       |      | 94    | 1047 |      |      | 15.48 | 2.7  |       |      |       |      |       |      |       |      | 111   | 887  | 13.12 | 3.2  |       |      |      |      |       |      |       |      |       |      | 74    | 1332 | 19.70 | 1.06 |       |      | F 77  | 4    |       |      |       |      |       |      | 83    | 1183 | 17.49 | 1.19 |       |      |       |      |       |      | 93    | 1058 | 15.64 | 1.33 |       |      |       |      |       |      | 104   | 951  | 14.06 | 1.48 |       |      |       |      |       |      | 120   | 825  | 12.20 | 1.71 |       |      |      |      |      |      | 134   | 739  | 10.93 | 1.91 |      |      |      |      |      |      | 156  | 632  | 9.35 | 1.61 |      |      |      |     |      |     | 176  | 561  | 8.30 | 1.81 |      |     |      |     |      |     | 197  | 502 | 7.42 | 2.0 |      |     |      |     |      |     | 219  | 451 | 6.67 | 2.3 |      |     |      |     |      |     | 252  | 392 | 5.79 | 2.6 |      |     |      |     |      |     | 281  | 351 | 5.19 | 2.9 |      |     |  |  |     |     | 340  | 291 | 4.30 | 3.3 |  |  |  |  |  |  |  |  |  |  |
|               |            |          |                        |             |         | 7.7           | 12864      | 125.71   | 0.88                   | F 127       | 6       |       |       |        |      |       |       |        |       |        |       |        |      |       |       |        |       |       |       |        |       |       |       |        |       |       |       |        |       |       |       |        |       |       |       |        |       |        |       |        |       |        |       |        |       |        |      |        |       |        |       |        |       |        |       |        |       |        |      |       |       |        |       |       |       |        |       |       |       |        |       |        |       |        |       |        |      |       |       |        |       |       |       |        |      |       |       |        |       |       |      |        |       |        |       |        |       |        |      |       |       |        |       |        |      |        |      |        |       |        |      |        |       |        |      |        |      |       |      |        |      |       |      |        |      |        |      |       |      |        |      |       |      |        |      |       |      |        |      |       |      |       |      |       |      |       |      |        |      |       |      |        |      |        |      |        |      |       |      |        |      |       |      |        |      |        |      |       |      |        |      |       |      |        |      |       |      |       |      |        |      |        |      |      |      |        |      |        |      |       |      |       |      |       |      |       |      |       |      |       |      |       |      |       |      |       |      |       |      |       |      |       |      |       |      |       |      |       |      |       |      |       |      |       |      |       |      |       |      |       |      |       |      |      |      |       |      |       |      |       |      |       |      |       |      |       |      |       |      |       |      |       |      |       |      |       |      |       |      |       |      |       |      |       |      |       |      |       |      |       |      |       |      |       |      |       |      |       |      |       |      |       |      |       |      |       |      |       |      |       |      |       |      |       |      |       |      |      |      |       |      |       |      |       |      |       |      |       |      |       |      |       |      |       |      |       |      |       |      |       |      |       |      |       |      |       |      |       |      |       |      |       |      |       |      |       |      |       |      |       |      |       |      |       |      |       |      |       |      |       |      |       |      |       |      |       |      |       |      |       |      |       |      |       |      |       |      |       |      |       |      |       |      |       |      |       |      |       |      |       |      |       |      |       |      |       |      |       |      |       |      |       |      |       |      |       |      |       |      |       |      |       |      |       |      |       |      |       |      |      |      |       |      |       |      |       |      |       |      |       |      |       |      |      |      |       |      |       |      |       |      |       |      |       |      |       |      |       |      |       |      |     |      |       |      |       |      |       |      |       |      |    |      |       |      |       |      |       |      |       |      |    |      |       |      |       |      |       |      |       |      |    |      |       |      |       |      |       |      |       |      |      |      |       |      |       |      |       |      |       |      |      |      |       |      |       |      |       |      |       |      |      |      |       |      |       |      |      |      |       |      |       |      |       |      |       |      |       |      |      |      |       |      |       |      |      |      |       |      |       |      |       |      |       |      |       |      |       |      |       |      |       |      |      |      |       |      |       |      |       |      |       |      |       |      |       |      |       |      |       |      |       |      |       |      |       |      |       |      |       |      |       |      |       |      |       |      |       |      |       |      |       |      |       |      |       |      |       |      |       |      |       |      |       |      |       |      |       |      |       |      |      |      |      |      |       |      |       |      |      |      |      |      |      |      |      |      |      |      |      |      |      |     |      |     |      |      |      |      |      |     |      |     |      |     |      |     |      |     |      |     |      |     |      |     |      |     |      |     |      |     |      |     |      |     |      |     |      |     |      |     |      |     |      |     |      |     |      |     |      |     |  |  |     |     |      |     |      |     |  |  |  |  |  |  |  |  |  |  |
|               |            |          |                        |             |         | 8.4           | 11732      | 116.00   | 0.96                   |             |         |       |       |        |      |       |       | 10     | 10153 |        |       | 99.73  | 1.11 |       |       |        |       |       |       |        |       | 11    | 8958  | 88.00  | 1.26  |       |       |        |       |       |       | 13     | 7737  | 76.00 | 1.46  |        |       |        |       |        |       | 8.5    | 11656 | 172.33 | 0.97  | F 127  | 4    |        |       |        |       |        |       | 9.4    | 10471 | 154.81 | 1.08  |        |      |       |       |        |       |       |       | 12     | 8502  |       |       | 125.71 | 1.33  |        |       |        |       |        |      |       |       | 13     | 7846  |       |       | 116.00 | 1.44 |       |       |        |       |       |      |        |       | 15     | 6745  | 99.73  | 1.67  |        |      |       |       |        |       | 17     | 5952 | 88.00  | 1.90 |        |       |        |      |        |       | 19     | 5140 | 76.00  | 2.2  |       |      |        |      |       |      | 12     | 7977 | 117.94 | 0.91 | F 107 | 4    |        |      |       |      |        |      | 14    | 6857 | 101.38 | 1.05 |       |      |       |      |       |      | 16    | 6254 | 92.47  | 1.15 |       |      |        |      |        |      |        |      |       |      |        |      |       |      | 17     | 5681 |        |      |       |      | 83.99  | 1.27 |       |      |        |      |       |      |       |      | 20     | 5040 | 74.52  | 1.43 |      |      |        |      |        |      | 22    | 4573 | 67.62 | 1.58 |       |      |       |      |       |      | 25    | 3931 | 58.12 | 1.84 |       |      |       |      |       |      | 29    | 3431 | 50.73 | 2.1  |       |      |       |      |       |      | 34    | 2910 | 43.03 | 2.5  |       |      |       |      |       |      | 43    | 2285 | 33.78 | 3.2  |      |      |       |      |       |      | 53    | 1855 | 27.43 | 3.9  |       |      |       |      |       |      | 58    | 1712 | 25.31 | 4.2  |       |      |       |      |       |      | 22    | 4473 | 66.14 | 0.90 | F 97  | 4    |       |      |       |      |       |      | 25    | 3967 | 58.65 | 1.02 |       |      |       |      |       |      | 28    | 3587 | 53.03 | 1.13 |       |      |       |      |       |      |       |      |       |      |       |      |      |      |       |      |       |      |       |      |       |      |       |      |       |      |       |      | 32    | 3040 | 44.94 | 1.33 |       |      |       |      |       |      | 37    | 2655 | 39.26 | 1.52 |       |      |       |      |       |      | 44    | 2220 | 32.83 | 1.82 |       |      |       |      |       |      | 43    | 2317 | 34.26 | 1.74 |       |      |       |      |       |      | 48    | 2076 | 30.70 | 1.95 |       |      |       |      |       |      | 53    | 1875 | 27.72 | 2.2  |       |      |       |      |       |      | 58    | 1703 | 25.18 | 2.4  |       |      |       |      |       |      | 65    | 1511 | 22.34 | 2.7  |       |      |       |      |       |      | 37    | 2655 | 39.25 | 0.96 | F 87  | 4    |       |      |       |      |       |      | 42    | 2377 | 35.14 | 1.03 |      |      |       |      |       |      | 50    | 1972 | 29.16 | 1.20 |       |      |       |      |      |      |       |      |       |      | 55    | 1792 | 26.50 | 1.57 |       |      |       |      |       |      |       |      |     |      |       |      |       |      | 62    | 1602 | 23.68 | 1.76 |    |      |       |      |       |      | 68    | 1442 | 21.32 | 1.96 |    |      |       |      |       |      | 76    | 1306 | 19.31 | 2.16 |    |      |       |      |       |      | 85    | 1158 | 17.12 | 2.4  |      |      |       |      |       |      | 94    | 1047 | 15.48 | 2.7  |      |      |       |      |       |      | 111   | 887  | 13.12 | 3.2  |      |      |       |      |       |      |      |      | 74    | 1332 |       |      | 19.70 | 1.06 | F 77  | 4    |       |      |      |      |       |      | 83    | 1183 |      |      | 17.49 | 1.19 |       |      |       |      |       |      |       |      | 93    | 1058 | 15.64 | 1.33 |       |      |      |      |       |      |       |      |       |      | 104   | 951  | 14.06 | 1.48 |       |      |       |      |       |      |       |      |       |      | 120   | 825  | 12.20 | 1.71 |       |      |       |      |       |      | 134   | 739  | 10.93 | 1.91 |       |      |       |      |       |      | 156   | 632  | 9.35  | 1.61 |       |      |       |      |       |      | 176   | 561  | 8.30  | 1.81 |       |      |      |      |      |      | 197   | 502  | 7.42  | 2.0  |      |      |      |      |      |      | 219  | 451  | 6.67 | 2.3  |      |      |      |     |      |     | 252  | 392  | 5.79 | 2.6  |      |     |      |     |      |     | 281  | 351 | 5.19 | 2.9 |      |     |      |     |      |     | 340  | 291 | 4.30 | 3.3 |      |     |      |     |      |     |      |     |      |     |      |     |      |     |      |     |      |     |      |     |      |     |  |  |     |     |      |     |      |     |  |  |  |  |  |  |  |  |  |  |
|               |            |          |                        |             |         | 10            | 10153      | 99.73    | 1.11                   |             |         |       |       |        |      |       |       | 11     | 8958  |        |       | 88.00  | 1.26 |       |       |        |       |       |       | 13     | 7737  | 76.00 | 1.46  |        |       |       |       |        |       | 8.5   | 11656 | 172.33 | 0.97  | F 127 | 4     |        |       |        |       |        |       | 9.4    | 10471 | 154.81 | 1.08  |        |      |        |       |        |       |        |       | 12     | 8502  | 125.71 | 1.33  |        |      |       |       |        |       |       |       | 13     | 7846  |       |       | 116.00 | 1.44  |        |       |        |       |        |      |       |       | 15     | 6745  |       |       | 99.73  | 1.67 |       |       |        |       |       |      |        |       | 17     | 5952  | 88.00  | 1.90  |        |      |       |       |        |       | 19     | 5140 | 76.00  | 2.2  |        |       |        |      |        |       | 12     | 7977 | 117.94 | 0.91 | F 107 | 4    |        |      |       |      |        |      | 14     | 6857 |       |      | 101.38 | 1.05 |       |      |        |      |       |      | 16     | 6254 | 92.47 | 1.15 |       |      |       |      |       |      | 17     | 5681 |       |      | 83.99  | 1.27 |        |      |        |      |       |      |        |      |       |      |        |      |        |      |       |      | 20     | 5040 | 74.52 | 1.43 |        |      |       |      |       |      | 22     | 4573 | 67.62  | 1.58 |      |      |        |      |        |      | 25    | 3931 | 58.12 | 1.84 |       |      |       |      |       |      | 29    | 3431 | 50.73 | 2.1  |       |      |       |      |       |      | 34    | 2910 | 43.03 | 2.5  |       |      |       |      |       |      | 43    | 2285 | 33.78 | 3.2  |       |      |       |      |       |      | 53    | 1855 | 27.43 | 3.9  |      |      |       |      |       |      | 58    | 1712 | 25.31 | 4.2  |       |      |       |      |       |      | 22    | 4473 | 66.14 | 0.90 | F 97  | 4    |       |      |       |      |       |      | 25    | 3967 |       |      | 58.65 | 1.02 |       |      |       |      |       |      | 28    | 3587 | 53.03 | 1.13 |       |      |       |      |       |      | 32    | 3040 | 44.94 | 1.33 |       |      |       |      |       |      |       |      |       |      | 37   | 2655 |       |      |       |      |       |      |       |      |       |      |       |      |       |      | 39.26 | 1.52 |       |      |       |      |       |      | 44    | 2220 | 32.83 | 1.82 |       |      |       |      |       |      | 43    | 2317 | 34.26 | 1.74 |       |      |       |      |       |      | 48    | 2076 | 30.70 | 1.95 |       |      |       |      |       |      | 53    | 1875 | 27.72 | 2.2  |       |      |       |      |       |      | 58    | 1703 | 25.18 | 2.4  |       |      |       |      |       |      | 65    | 1511 | 22.34 | 2.7  |       |      |       |      |       |      | 37    | 2655 | 39.25 | 0.96 | F 87  | 4    |       |      |       |      |       |      | 42    | 2377 | 35.14 | 1.03 |       |      |       |      |       |      |       |      | 50    | 1972 | 29.16 | 1.20 |      |      |       |      |       |      | 55    | 1792 | 26.50 | 1.57 |       |      |       |      |      |      |       |      |       |      | 62    | 1602 | 23.68 | 1.76 |       |      |       |      |       |      |       |      |     |      |       |      |       |      | 68    | 1442 | 21.32 | 1.96 |    |      |       |      |       |      | 76    | 1306 | 19.31 | 2.16 |    |      |       |      |       |      | 85    | 1158 | 17.12 | 2.4  |    |      |       |      |       |      | 94    | 1047 | 15.48 | 2.7  |      |      |       |      |       |      | 111   | 887  | 13.12 | 3.2  |      |      |       |      |       |      | 74    | 1332 | 19.70 | 1.06 | F 77 | 4    |       |      |       |      |      |      | 83    | 1183 | 17.49 | 1.19 |       |      |       |      |       |      |      |      |       |      | 93    | 1058 |      |      | 15.64 | 1.33 |       |      |       |      |       |      |       |      | 104   | 951  | 14.06 | 1.48 |       |      |      |      |       |      |       |      |       |      | 120   | 825  | 12.20 | 1.71 |       |      |       |      |       |      |       |      |       |      | 134   | 739  | 10.93 | 1.91 |       |      |       |      |       |      | 156   | 632  | 9.35  | 1.61 |       |      |       |      |       |      | 176   | 561  | 8.30  | 1.81 |       |      |       |      |       |      | 197   | 502  | 7.42  | 2.0  |       |      |      |      |      |      | 219   | 451  | 6.67  | 2.3  |      |      |      |      |      |      | 252  | 392  | 5.79 | 2.6  |      |      |      |     |      |     | 281  | 351  | 5.19 | 2.9  |      |     |      |     |      |     | 340  | 291 | 4.30 | 3.3 |      |     |      |     |      |     |      |     |      |     |      |     |      |     |      |     |      |     |      |     |      |     |      |     |      |     |      |     |      |     |      |     |  |  |     |     |      |     |      |     |  |  |  |  |  |  |  |  |  |  |
|               |            |          |                        |             |         | 11            | 8958       | 88.00    | 1.26                   |             |         |       |       |        |      |       |       | 13     | 7737  | 76.00  | 1.46  |        |      |       |       |        |       | 8.5   | 11656 | 172.33 | 0.97  | F 127 | 4     |        |       |       |       |        |       | 9.4   | 10471 | 154.81 | 1.08  |       |       |        |       |        |       |        |       | 12     | 8502  | 125.71 | 1.33  |        |      |        |       |        |       |        |       | 13     | 7846  | 116.00 | 1.44  |        |      |       |       |        |       |       |       | 15     | 6745  |       |       | 99.73  | 1.67  |        |       |        |       |        |      |       |       | 17     | 5952  |       |       | 88.00  | 1.90 |       |       |        |       |       |      | 19     | 5140  | 76.00  | 2.2   |        |       |        |      |       |       | 12     | 7977  | 117.94 | 0.91 | F 107  | 4    |        |       |        |      |        |       | 14     | 6857 | 101.38 | 1.05 |       |      |        |      |       |      |        |      | 16     | 6254 |       |      | 92.47  | 1.15 |       |      |        |      |       |      | 17     | 5681 | 83.99 | 1.27 |       |      |       |      |       |      | 20     | 5040 |       |      | 74.52  | 1.43 |        |      |        |      |       |      |        |      |       |      |        |      |        |      |       |      | 22     | 4573 | 67.62 | 1.58 |        |      |       |      |       |      | 25     | 3931 | 58.12  | 1.84 |      |      |        |      |        |      | 29    | 3431 | 50.73 | 2.1  |       |      |       |      |       |      | 34    | 2910 | 43.03 | 2.5  |       |      |       |      |       |      | 43    | 2285 | 33.78 | 3.2  |       |      |       |      |       |      | 53    | 1855 | 27.43 | 3.9  |       |      |       |      |       |      | 58    | 1712 | 25.31 | 4.2  |      |      |       |      |       |      | 22    | 4473 | 66.14 | 0.90 | F 97  | 4    |       |      |       |      |       |      | 25    | 3967 |       |      | 58.65 | 1.02 |       |      |       |      |       |      |       |      | 28    | 3587 | 53.03 | 1.13 |       |      |       |      |       |      | 32    | 3040 | 44.94 | 1.33 |       |      |       |      |       |      | 37    | 2655 | 39.26 | 1.52 |       |      |       |      |       |      |       |      |      |      |       |      |       |      |       |      |       |      |       |      |       |      |       |      | 44    | 2220 | 32.83 | 1.82 |       |      |       |      |       |      | 43    | 2317 | 34.26 | 1.74 |       |      |       |      |       |      | 48    | 2076 | 30.70 | 1.95 |       |      |       |      |       |      | 53    | 1875 | 27.72 | 2.2  |       |      |       |      |       |      | 58    | 1703 | 25.18 | 2.4  |       |      |       |      |       |      | 65    | 1511 | 22.34 | 2.7  |       |      |       |      |       |      | 37    | 2655 | 39.25 | 0.96 | F 87  | 4    |       |      |       |      |       |      |       |      | 42    | 2377 | 35.14 | 1.03 |       |      |       |      |       |      |       |      | 50    | 1972 | 29.16 | 1.20 |       |      |       |      |       |      | 55   | 1792 | 26.50 | 1.57 |       |      |       |      |       |      | 62    | 1602 | 23.68 | 1.76 |      |      |       |      |       |      | 68    | 1442 | 21.32 | 1.96 |       |      |       |      |       |      |       |      |     |      |       |      |       |      | 76    | 1306 | 19.31 | 2.16 |    |      |       |      |       |      | 85    | 1158 | 17.12 | 2.4  |    |      |       |      |       |      | 94    | 1047 | 15.48 | 2.7  |    |      |       |      |       |      | 111   | 887  | 13.12 | 3.2  |      |      |       |      |       |      | 74    | 1332 | 19.70 | 1.06 | F 77 | 4    |       |      |       |      |       |      | 83    | 1183 |      |      | 17.49 | 1.19 |       |      |      |      |       |      | 93    | 1058 | 15.64 | 1.33 |       |      |       |      |      |      |       |      | 104   | 951  |      |      | 14.06 | 1.48 |       |      |       |      |       |      |       |      | 120   | 825  | 12.20 | 1.71 |       |      |      |      |       |      |       |      |       |      | 134   | 739  | 10.93 | 1.91 |       |      |       |      |       |      |       |      |       |      | 156   | 632  | 9.35  | 1.61 |       |      |       |      |       |      | 176   | 561  | 8.30  | 1.81 |       |      |       |      |       |      | 197   | 502  | 7.42  | 2.0  |       |      |       |      |       |      | 219   | 451  | 6.67  | 2.3  |       |      |      |      |      |      | 252   | 392  | 5.79  | 2.6  |      |      |      |      |      |      | 281  | 351  | 5.19 | 2.9  |      |      |      |     |      |     | 340  | 291  | 4.30 | 3.3  |      |     |      |     |      |     |      |     |      |     |      |     |      |     |      |     |      |     |      |     |      |     |      |     |      |     |      |     |      |     |      |     |      |     |      |     |      |     |      |     |      |     |  |  |     |     |      |     |      |     |  |  |  |  |  |  |  |  |  |  |
|               |            |          |                        |             |         | 13            | 7737       | 76.00    | 1.46                   |             |         |       |       |        |      |       |       | 8.5    | 11656 | 172.33 | 0.97  | F 127  | 4    |       |       |        |       |       |       | 9.4    | 10471 |       |       | 154.81 | 1.08  |       |       |        |       |       |       | 12     | 8502  |       |       | 125.71 | 1.33  |        |       |        |       |        |       | 13     | 7846  |        |      | 116.00 | 1.44  |        |       |        |       |        |       | 15     | 6745  | 99.73  | 1.67 |       |       |        |       |       |       | 17     | 5952  |       |       | 88.00  | 1.90  |        |       |        |       |        |      |       |       | 19     | 5140  | 76.00 | 2.2   |        |      |       |       |        |       | 12    | 7977 | 117.94 | 0.91  | F 107  | 4     |        |       |        |      |       |       | 14     | 6857  | 101.38 | 1.05 |        |      |        |       |        |      |        |       | 16     | 6254 | 92.47  | 1.15 |       |      |        |      |       |      |        |      | 17     | 5681 |       |      | 83.99  | 1.27 |       |      |        |      |       |      | 20     | 5040 | 74.52 | 1.43 |       |      |       |      |       |      | 22     | 4573 |       |      | 67.62  | 1.58 |        |      |        |      |       |      |        |      |       |      |        |      |        |      |       |      | 25     | 3931 | 58.12 | 1.84 |        |      |       |      |       |      | 29     | 3431 | 50.73  | 2.1  |      |      |        |      |        |      | 34    | 2910 | 43.03 | 2.5  |       |      |       |      |       |      | 43    | 2285 | 33.78 | 3.2  |       |      |       |      |       |      | 53    | 1855 | 27.43 | 3.9  |       |      |       |      |       |      | 58    | 1712 | 25.31 | 4.2  |       |      |       |      |       |      | 22    | 4473 | 66.14 | 0.90 | F 97 | 4    |       |      |       |      |       |      | 25    | 3967 |       |      | 58.65 | 1.02 |       |      |       |      |       |      |       |      | 28    | 3587 | 53.03 | 1.13 |       |      |       |      |       |      | 32    | 3040 | 44.94 | 1.33 |       |      |       |      |       |      | 37    | 2655 | 39.26 | 1.52 |       |      |       |      |       |      | 44    | 2220 | 32.83 | 1.82 |       |      |       |      |       |      |       |      |      |      |       |      | 43    | 2317 |       |      |       |      |       |      |       |      |       |      | 34.26 | 1.74 |       |      |       |      |       |      | 48    | 2076 | 30.70 | 1.95 |       |      |       |      |       |      | 53    | 1875 | 27.72 | 2.2  |       |      |       |      |       |      | 58    | 1703 | 25.18 | 2.4  |       |      |       |      |       |      | 65    | 1511 | 22.34 | 2.7  |       |      |       |      |       |      | 37    | 2655 | 39.25 | 0.96 | F 87  | 4    |       |      |       |      |       |      | 42    | 2377 | 35.14 | 1.03 |       |      |       |      |       |      |       |      |       |      | 50    | 1972 | 29.16 | 1.20 |       |      |       |      |       |      |       |      | 55    | 1792 | 26.50 | 1.57 |       |      |       |      |       |      | 62   | 1602 | 23.68 | 1.76 |       |      |       |      |       |      | 68    | 1442 | 21.32 | 1.96 |      |      |       |      |       |      | 76    | 1306 | 19.31 | 2.16 |       |      |       |      |       |      |       |      |     |      |       |      |       |      | 85    | 1158 | 17.12 | 2.4  |    |      |       |      |       |      | 94    | 1047 | 15.48 | 2.7  |    |      |       |      |       |      | 111   | 887  | 13.12 | 3.2  |    |      |       |      |       |      | 74    | 1332 | 19.70 | 1.06 | F 77 | 4    |       |      |       |      |       |      | 83    | 1183 |      |      | 17.49 | 1.19 |       |      |       |      |       |      |      |      | 93    | 1058 | 15.64 | 1.33 |      |      |       |      |       |      | 104   | 951  |       |      | 14.06 | 1.48 |      |      |       |      |       |      |      |      | 120   | 825  |       |      | 12.20 | 1.71 |       |      |       |      |       |      | 134   | 739  |       |      |      |      | 10.93 | 1.91 |       |      |       |      |       |      | 156   | 632  |       |      |       |      | 9.35  | 1.61 |       |      |       |      |       |      | 176   | 561  | 8.30  | 1.81 |       |      |       |      |       |      | 197   | 502  | 7.42  | 2.0  |       |      |       |      |       |      | 219   | 451  | 6.67  | 2.3  |       |      |       |      |       |      | 252   | 392  | 5.79  | 2.6  |      |      |      |      |       |      | 281   | 351  | 5.19 | 2.9  |      |      |      |      |      |      | 340  | 291  | 4.30 | 3.3  |      |     |      |     |      |      |      |      |      |     |      |     |      |     |      |     |      |     |      |     |      |     |      |     |      |     |      |     |      |     |      |     |      |     |      |     |      |     |      |     |      |     |      |     |      |     |      |     |      |     |  |  |     |     |      |     |      |     |  |  |  |  |  |  |  |  |  |  |
|               |            |          |                        |             |         | 8.5           | 11656      | 172.33   | 0.97                   | F 127       | 4       |       |       |        |      |       |       |        |       |        |       |        |      |       |       |        |       |       |       |        |       |       |       |        |       |       |       |        |       |       |       |        |       |       |       |        |       |        |       |        |       |        |       |        |       |        |      |        |       |        |       |        |       |        |       |        |       |        |      |       |       |        |       |       |       |        |       |       |       |        |       |        |       |        |       |        |      |       |       |        |       |       |       |        |      |       |       |        |       |       |      |        |       |        |       |        |       |        |      |       |       |        |       |        |      |        |      |        |       |        |      |        |       |        |      |        |      |       |      |        |      |       |      |        |      |        |      |       |      |        |      |       |      |        |      |       |      |        |      |       |      |       |      |       |      |       |      |        |      |       |      |        |      |        |      |        |      |       |      |        |      |       |      |        |      |        |      |       |      |        |      |       |      |        |      |       |      |       |      |        |      |        |      |      |      |        |      |        |      |       |      |       |      |       |      |       |      |       |      |       |      |       |      |       |      |       |      |       |      |       |      |       |      |       |      |       |      |       |      |       |      |       |      |       |      |       |      |       |      |       |      |       |      |      |      |       |      |       |      |       |      |       |      |       |      |       |      |       |      |       |      |       |      |       |      |       |      |       |      |       |      |       |      |       |      |       |      |       |      |       |      |       |      |       |      |       |      |       |      |       |      |       |      |       |      |       |      |       |      |       |      |       |      |       |      |       |      |      |      |       |      |       |      |       |      |       |      |       |      |       |      |       |      |       |      |       |      |       |      |       |      |       |      |       |      |       |      |       |      |       |      |       |      |       |      |       |      |       |      |       |      |       |      |       |      |       |      |       |      |       |      |       |      |       |      |       |      |       |      |       |      |       |      |       |      |       |      |       |      |       |      |       |      |       |      |       |      |       |      |       |      |       |      |       |      |       |      |       |      |       |      |       |      |       |      |       |      |       |      |       |      |       |      |       |      |       |      |       |      |      |      |       |      |       |      |       |      |       |      |       |      |       |      |      |      |       |      |       |      |       |      |       |      |       |      |       |      |       |      |       |      |     |      |       |      |       |      |       |      |       |      |    |      |       |      |       |      |       |      |       |      |    |      |       |      |       |      |       |      |       |      |    |      |       |      |       |      |       |      |       |      |      |      |       |      |       |      |       |      |       |      |      |      |       |      |       |      |       |      |       |      |      |      |       |      |       |      |      |      |       |      |       |      |       |      |       |      |       |      |      |      |       |      |       |      |      |      |       |      |       |      |       |      |       |      |       |      |       |      |       |      |       |      |      |      |       |      |       |      |       |      |       |      |       |      |       |      |       |      |       |      |       |      |       |      |       |      |       |      |       |      |       |      |       |      |       |      |       |      |       |      |       |      |       |      |       |      |       |      |       |      |       |      |       |      |       |      |       |      |       |      |      |      |      |      |       |      |       |      |      |      |      |      |      |      |      |      |      |      |      |      |      |     |      |     |      |      |      |      |      |     |      |     |      |     |      |     |      |     |      |     |      |     |      |     |      |     |      |     |      |     |      |     |      |     |      |     |      |     |      |     |      |     |      |     |      |     |      |     |      |     |  |  |     |     |      |     |      |     |  |  |  |  |  |  |  |  |  |  |
|               |            |          |                        |             |         | 9.4           | 10471      | 154.81   | 1.08                   |             |         |       |       |        |      |       |       | 12     | 8502  | 125.71 | 1.33  |        |      |       |       |        |       |       |       | 13     | 7846  |       |       | 116.00 | 1.44  |       |       |        |       |       |       | 15     | 6745  |       |       | 99.73  | 1.67  |        |       |        |       |        |       | 17     | 5952  |        |      | 88.00  | 1.90  |        |       |        |       |        |       | 19     | 5140  | 76.00  | 2.2  |       |       |        |       |       |       | 12     | 7977  |       |       | 117.94 | 0.91  |        |       | F 107  | 4     |        |      |       |       |        |       | 14    | 6857  | 101.38 | 1.05 |       |       |        |       |       |      | 16     | 6254  |        |       | 92.47  | 1.15  |        |      |       |       |        |       | 17     | 5681 |        |      | 83.99  | 1.27  |        |      |        |       |        |      | 20     | 5040 |       |      | 74.52  | 1.43 |       |      |        |      |        |      |       |      | 22     | 4573 | 67.62 | 1.58 |        |      |       |      |        |      | 25    | 3931 | 58.12 | 1.84 |       |      |       |      |        |      |       |      | 29     | 3431 |        |      |        |      |       |      |        |      | 50.73 | 2.1  |        |      |        |      |       |      | 34     | 2910 | 43.03 | 2.5  |        |      |       |      |       |      | 43     | 2285 | 33.78  | 3.2  |      |      |        |      |        |      | 53    | 1855 | 27.43 | 3.9  |       |      |       |      |       |      | 58    | 1712 | 25.31 | 4.2  |       |      |       |      |       |      | 22    | 4473 | 66.14 | 0.90 | F 97  | 4    |       |      |       |      |       |      | 25    | 3967 | 58.65 | 1.02 |       |      |       |      |       |      | 28    | 3587 |      |      | 53.03 | 1.13 |       |      |       |      |       |      |       |      | 32    | 3040 | 44.94 | 1.33 |       |      |       |      |       |      | 37    | 2655 | 39.26 | 1.52 |       |      |       |      |       |      | 44    | 2220 | 32.83 | 1.82 |       |      |       |      |       |      | 43    | 2317 | 34.26 | 1.74 |       |      |       |      |       |      | 48    | 2076 | 30.70 | 1.95 |       |      |       |      |       |      |       |      |      |      |       |      | 53    | 1875 | 27.72 | 2.2  |       |      |       |      |       |      |       |      |       |      |       |      |       |      | 58    | 1703 | 25.18 | 2.4  |       |      |       |      |       |      | 65    | 1511 | 22.34 | 2.7  |       |      |       |      |       |      | 37    | 2655 | 39.25 | 0.96 | F 87  | 4    |       |      |       |      |       |      | 42    | 2377 | 35.14 | 1.03 |       |      |       |      |       |      | 50    | 1972 | 29.16 | 1.20 |       |      |       |      |       |      |       |      | 55    | 1792 | 26.50 | 1.57 |       |      |       |      |       |      |       |      |       |      | 62    | 1602 | 23.68 | 1.76 |       |      |       |      |       |      |       |      | 68    | 1442 | 21.32 | 1.96 |       |      |       |      |       |      | 76   | 1306 | 19.31 | 2.16 |       |      |       |      |       |      | 85    | 1158 | 17.12 | 2.4  |      |      |       |      |       |      | 94    | 1047 | 15.48 | 2.7  |       |      |       |      |       |      |       |      | 111 | 887  | 13.12 | 3.2  |       |      |       |      |       |      | 74 | 1332 | 19.70 | 1.06 | F 77  | 4    |       |      |       |      |    |      | 83    | 1183 | 17.49 | 1.19 |       |      |       |      |    |      | 93    | 1058 | 15.64 | 1.33 |       |      |       |      |      |      | 104   | 951  | 14.06 | 1.48 |       |      |       |      |      |      | 120   | 825  | 12.20 | 1.71 |       |      |       |      |      |      | 134   | 739  | 10.93 | 1.91 |      |      |       |      |       |      | 156   | 632  |       |      | 9.35  | 1.61 |      |      |       |      |       |      | 176  | 561  | 8.30  | 1.81 |       |      |       |      |       |      |       |      | 197   | 502  | 7.42  | 2.0  |       |      |      |      |       |      |       |      |       |      | 219   | 451  | 6.67  | 2.3  |       |      |       |      |       |      |       |      |       |      | 252   | 392  | 5.79  | 2.6  |       |      |       |      |       |      | 281   | 351  | 5.19  | 2.9  |       |      |       |      |       |      | 340   | 291  | 4.30  | 3.3  |       |      |       |      |       |      |       |      |       |      |       |      |      |      |      |      |       |      |       |      |      |      |      |      |      |      |      |      |      |      |      |      |      |     |      |     |      |      |      |      |      |     |      |     |      |     |      |     |      |     |      |     |      |     |      |     |      |     |      |     |      |     |      |     |      |     |      |     |      |     |      |     |      |     |      |     |      |     |      |     |      |     |  |  |     |     |      |     |      |     |  |  |  |  |  |  |  |  |  |  |
|               |            |          |                        |             |         | 12            | 8502       | 125.71   | 1.33                   |             |         |       |       |        |      |       |       | 13     | 7846  | 116.00 | 1.44  |        |      |       |       |        |       |       |       | 15     | 6745  |       |       | 99.73  | 1.67  |       |       |        |       |       |       | 17     | 5952  |       |       | 88.00  | 1.90  |        |       |        |       |        |       | 19     | 5140  |        |      | 76.00  | 2.2   |        |       |        |       |        |       | 12     | 7977  | 117.94 | 0.91 | F 107 | 4     |        |       |       |       |        |       |       |       | 14     | 6857  | 101.38 | 1.05  |        |       |        |      |       |       |        |       | 16    | 6254  | 92.47  | 1.15 |       |       |        |       |       |      | 17     | 5681  |        |       | 83.99  | 1.27  |        |      |       |       |        |       | 20     | 5040 |        |      | 74.52  | 1.43  |        |      |        |       |        |      | 22     | 4573 |       |      | 67.62  | 1.58 |       |      |        |      |        |      |       |      | 25     | 3931 | 58.12 | 1.84 |        |      |       |      |        |      | 29    | 3431 | 50.73 | 2.1  |       |      |       |      |        |      |       |      | 34     | 2910 |        |      |        |      | 43.03 | 2.5  |        |      |       |      |        |      |        |      | 43    | 2285 | 33.78  | 3.2  |       |      |        |      |       |      | 53    | 1855 | 27.43  | 3.9  |        |      |      |      |        |      | 58     | 1712 | 25.31 | 4.2  |       |      |       |      |       |      | 22    | 4473 | 66.14 | 0.90 | F 97  | 4    |       |      |       |      |       |      | 25    | 3967 | 58.65 | 1.02 |       |      |       |      |       |      |       |      | 28    | 3587 | 53.03 | 1.13 |       |      |       |      |       |      | 32    | 3040 |      |      | 44.94 | 1.33 |       |      |       |      |       |      |       |      | 37    | 2655 | 39.26 | 1.52 |       |      |       |      |       |      | 44    | 2220 | 32.83 | 1.82 |       |      |       |      |       |      | 43    | 2317 | 34.26 | 1.74 |       |      |       |      |       |      | 48    | 2076 | 30.70 | 1.95 |       |      |       |      |       |      | 53    | 1875 | 27.72 | 2.2  |       |      |       |      |       |      |       |      |      |      | 58    | 1703 | 25.18 | 2.4  |       |      |       |      |       |      |       |      |       |      | 65    | 1511 | 22.34 | 2.7  |       |      |       |      |       |      | 37    | 2655 | 39.25 | 0.96 | F 87  | 4    |       |      |       |      |       |      | 42    | 2377 | 35.14 | 1.03 |       |      |       |      |       |      | 50    | 1972 | 29.16 | 1.20 |       |      |       |      |       |      | 55    | 1792 | 26.50 | 1.57 |       |      |       |      |       |      |       |      | 62    | 1602 | 23.68 | 1.76 |       |      |       |      |       |      |       |      | 68    | 1442 | 21.32 | 1.96 |       |      |       |      |       |      | 76    | 1306 | 19.31 | 2.16 |       |      |       |      |       |      | 85    | 1158 | 17.12 | 2.4  |       |      |       |      |       |      | 94   | 1047 | 15.48 | 2.7  |       |      |       |      |       |      | 111   | 887  | 13.12 | 3.2  |      |      |       |      |       |      | 74    | 1332 | 19.70 | 1.06 | F 77  | 4    |       |      |       |      |       |      | 83  | 1183 | 17.49 | 1.19 |       |      |       |      |       |      | 93 | 1058 | 15.64 | 1.33 |       |      |       |      |       |      |    |      | 104   | 951  | 14.06 | 1.48 |       |      |       |      |    |      | 120   | 825  | 12.20 | 1.71 |       |      |       |      |      |      | 134   | 739  | 10.93 | 1.91 |       |      |       |      |      |      | 156   | 632  | 9.35  | 1.61 |       |      |       |      |      |      | 176   | 561  | 8.30  | 1.81 |      |      |       |      |       |      | 197   | 502  |       |      | 7.42  | 2.0  |      |      |       |      |       |      | 219  | 451  | 6.67  | 2.3  |       |      |       |      |       |      |       |      | 252   | 392  | 5.79  | 2.6  |       |      |      |      |       |      |       |      |       |      | 281   | 351  | 5.19  | 2.9  |       |      |       |      |       |      |       |      |       |      | 340   | 291  | 4.30  | 3.3  |       |      |       |      |       |      |       |      |       |      |       |      |       |      |       |      |       |      |       |      |       |      |       |      |       |      |       |      |       |      |       |      |      |      |      |      |       |      |       |      |      |      |      |      |      |      |      |      |      |      |      |      |      |     |      |     |      |      |      |      |      |     |      |     |      |     |      |     |      |     |      |     |      |     |      |     |      |     |      |     |      |     |      |     |      |     |      |     |      |     |      |     |      |     |      |     |      |     |      |     |      |     |  |  |     |     |      |     |      |     |  |  |  |  |  |  |  |  |  |  |
|               |            |          |                        |             |         | 13            | 7846       | 116.00   | 1.44                   |             |         |       |       |        |      |       |       | 15     | 6745  | 99.73  | 1.67  |        |      |       |       |        |       |       |       | 17     | 5952  |       |       | 88.00  | 1.90  |       |       |        |       |       |       | 19     | 5140  |       |       | 76.00  | 2.2   |        |       |        |       |        |       | 12     | 7977  |        |      | 117.94 | 0.91  | F 107  | 4     |        |       |        |       |        |       | 14     | 6857 |       |       | 101.38 | 1.05  |       |       |        |       |       |       |        |       | 16     | 6254  |        |       | 92.47  | 1.15 |       |       |        |       |       |       | 17     | 5681 | 83.99 | 1.27  |        |       |       |      |        |       |        |       | 20     | 5040  | 74.52  | 1.43 |       |       |        |       |        |      |        |      | 22     | 4573  | 67.62  | 1.58 |        |       |        |      |        |      |       |      | 25     | 3931 | 58.12 | 1.84 |        |      |        |      |       |      | 29     | 3431 | 50.73 | 2.1  |        |      |       |      |        |      | 34    | 2910 | 43.03 | 2.5  |       |      |       |      |        |      |       |      | 43     | 2285 |        |      |        |      | 33.78 | 3.2  |        |      |       |      |        |      | 53     | 1855 | 27.43 | 3.9  |        |      |       |      |        |      | 58    | 1712 | 25.31 | 4.2  |        |      |        |      |      |      | 22     | 4473 | 66.14  | 0.90 | F 97  | 4    |       |      |       |      |       |      | 25    | 3967 | 58.65 | 1.02 |       |      |       |      |       |      |       |      | 28    | 3587 | 53.03 | 1.13 |       |      |       |      |       |      |       |      | 32    | 3040 | 44.94 | 1.33 |       |      |       |      |       |      | 37    | 2655 |      |      | 39.26 | 1.52 |       |      |       |      |       |      |       |      | 44    | 2220 | 32.83 | 1.82 |       |      |       |      |       |      | 43    | 2317 | 34.26 | 1.74 |       |      |       |      |       |      | 48    | 2076 | 30.70 | 1.95 |       |      |       |      |       |      | 53    | 1875 | 27.72 | 2.2  |       |      |       |      |       |      | 58    | 1703 | 25.18 | 2.4  |       |      |       |      |       |      |       |      | 65   | 1511 | 22.34 | 2.7  |       |      |       |      |       |      |       |      |       |      |       |      | 37    | 2655 | 39.25 | 0.96 | F 87  | 4    |       |      |       |      |       |      | 42    | 2377 |       |      | 35.14 | 1.03 |       |      |       |      |       |      | 50    | 1972 | 29.16 | 1.20 |       |      |       |      |       |      | 55    | 1792 | 26.50 | 1.57 |       |      |       |      |       |      | 62    | 1602 | 23.68 | 1.76 |       |      |       |      |       |      | 68    | 1442 | 21.32 | 1.96 |       |      |       |      |       |      |       |      | 76    | 1306 | 19.31 | 2.16 |       |      |       |      |       |      | 85    | 1158 | 17.12 | 2.4  |       |      |       |      |       |      | 94    | 1047 | 15.48 | 2.7  |       |      |       |      |       |      | 111  | 887  | 13.12 | 3.2  |       |      |       |      |       |      | 74    | 1332 | 19.70 | 1.06 | F 77 | 4    |       |      |       |      |       |      | 83    | 1183 |       |      | 17.49 | 1.19 |       |      |       |      |     |      | 93    | 1058 | 15.64 | 1.33 |       |      |       |      |    |      | 104   | 951  |       |      | 14.06 | 1.48 |       |      |    |      |       |      | 120   | 825  | 12.20 | 1.71 |       |      |    |      |       |      | 134   | 739  | 10.93 | 1.91 |       |      |      |      |       |      | 156   | 632  | 9.35  | 1.61 |       |      |      |      |       |      | 176   | 561  | 8.30  | 1.81 |       |      |      |      |       |      | 197   | 502  | 7.42 | 2.0  |       |      |       |      |       |      |       |      | 219   | 451  | 6.67 | 2.3  |       |      |       |      |      |      | 252   | 392  | 5.79  | 2.6  |       |      |       |      |       |      | 281   | 351  | 5.19  | 2.9  |       |      |      |      |       |      |       |      |       |      | 340   | 291  | 4.30  | 3.3  |       |      |       |      |       |      |       |      |       |      |       |      |       |      |       |      |       |      |       |      |       |      |       |      |       |      |       |      |       |      |       |      |       |      |       |      |       |      |       |      |       |      |       |      |       |      |      |      |      |      |       |      |       |      |      |      |      |      |      |      |      |      |      |      |      |      |      |     |      |     |      |      |      |      |      |     |      |     |      |     |      |     |      |     |      |     |      |     |      |     |      |     |      |     |      |     |      |     |      |     |      |     |      |     |      |     |      |     |      |     |      |     |      |     |      |     |  |  |     |     |      |     |      |     |  |  |  |  |  |  |  |  |  |  |
|               |            |          |                        |             |         | 15            | 6745       | 99.73    | 1.67                   |             |         |       |       |        |      |       |       | 17     | 5952  | 88.00  | 1.90  |        |      |       |       |        |       |       |       | 19     | 5140  |       |       | 76.00  | 2.2   |       |       |        |       |       |       | 12     | 7977  |       |       | 117.94 | 0.91  | F 107  | 4     |        |       |        |       |        |       |        |      | 14     | 6857  |        |       | 101.38 | 1.05  |        |       |        |       |        |      |       |       | 16     | 6254  | 92.47 | 1.15  |        |       |       |       |        |       | 17     | 5681  |        |       | 83.99  | 1.27 |       |       |        |       |       |       | 20     | 5040 | 74.52 | 1.43  |        |       |       |      |        |       |        |       | 22     | 4573  | 67.62  | 1.58 |       |       |        |       |        |      |        |      | 25     | 3931  | 58.12  | 1.84 |        |       |        |      |        |      |       |      | 29     | 3431 | 50.73 | 2.1  |        |      |        |      |       |      | 34     | 2910 | 43.03 | 2.5  |        |      |       |      |        |      | 43    | 2285 | 33.78 | 3.2  |       |      |       |      |        |      |       |      | 53     | 1855 |        |      | 27.43  | 3.9  |       |      |        |      |       |      | 58     | 1712 | 25.31  | 4.2  |       |      |        |      |       |      | 22     | 4473 | 66.14 | 0.90 | F 97  | 4    |        |      |        |      |      |      | 25     | 3967 | 58.65  | 1.02 |       |      |       |      |       |      |       |      | 28    | 3587 | 53.03 | 1.13 |       |      |       |      |       |      |       |      | 32    | 3040 | 44.94 | 1.33 |       |      |       |      |       |      |       |      | 37    | 2655 | 39.26 | 1.52 |       |      |       |      |       |      | 44    | 2220 |      |      | 32.83 | 1.82 |       |      |       |      |       |      |       |      | 43    | 2317 | 34.26 | 1.74 |       |      |       |      |       |      | 48    | 2076 | 30.70 | 1.95 |       |      |       |      |       |      | 53    | 1875 | 27.72 | 2.2  |       |      |       |      |       |      | 58    | 1703 | 25.18 | 2.4  |       |      |       |      |       |      | 65    | 1511 | 22.34 | 2.7  |       |      |       |      |       |      |       |      | 37   | 2655 | 39.25 | 0.96 | F 87  | 4    |       |      |       |      |       |      |       |      |       |      | 42    | 2377 | 35.14 | 1.03 |       |      |       |      |       |      |       |      | 50    | 1972 |       |      | 29.16 | 1.20 |       |      |       |      |       |      | 55    | 1792 | 26.50 | 1.57 |       |      |       |      |       |      | 62    | 1602 | 23.68 | 1.76 |       |      |       |      |       |      | 68    | 1442 | 21.32 | 1.96 |       |      |       |      |       |      | 76    | 1306 | 19.31 | 2.16 |       |      |       |      |       |      |       |      | 85    | 1158 | 17.12 | 2.4  |       |      |       |      |       |      | 94    | 1047 | 15.48 | 2.7  |       |      |       |      |       |      | 111   | 887  | 13.12 | 3.2  |       |      |       |      |       |      | 74   | 1332 | 19.70 | 1.06 | F 77  | 4    |       |      |       |      |       |      | 83    | 1183 |      |      | 17.49 | 1.19 |       |      |       |      |       |      |       |      | 93    | 1058 | 15.64 | 1.33 |       |      |     |      |       |      | 104   | 951  | 14.06 | 1.48 |       |      |    |      |       |      |       |      | 120   | 825  | 12.20 | 1.71 |    |      |       |      |       |      | 134   | 739  | 10.93 | 1.91 |    |      |       |      |       |      | 156   | 632  | 9.35  | 1.61 |      |      |       |      |       |      |       |      | 176   | 561  |      |      | 8.30  | 1.81 |       |      |       |      |       |      |      |      | 197   | 502  | 7.42  | 2.0  |      |      |       |      |       |      | 219   | 451  |       |      | 6.67  | 2.3  |      |      |       |      |       |      | 252  | 392  | 5.79  | 2.6  |       |      |       |      |       |      | 281   | 351  | 5.19  | 2.9  |       |      |       |      |      |      | 340   | 291  | 4.30  | 3.3  |       |      |       |      |       |      |       |      |       |      |       |      |       |      |       |      |       |      |       |      |       |      |       |      |       |      |       |      |       |      |       |      |       |      |       |      |       |      |       |      |       |      |       |      |       |      |       |      |       |      |       |      |      |      |      |      |       |      |       |      |      |      |      |      |      |      |      |      |      |      |      |      |      |     |      |     |      |      |      |      |      |     |      |     |      |     |      |     |      |     |      |     |      |     |      |     |      |     |      |     |      |     |      |     |      |     |      |     |      |     |      |     |      |     |      |     |      |     |      |     |      |     |  |  |     |     |      |     |      |     |  |  |  |  |  |  |  |  |  |  |
|               |            |          |                        |             |         | 17            | 5952       | 88.00    | 1.90                   |             |         |       |       |        |      |       |       | 19     | 5140  | 76.00  | 2.2   |        |      |       |       |        |       |       |       | 12     | 7977  |       |       | 117.94 | 0.91  | F 107 | 4     |        |       |       |       |        |       |       |       | 14     | 6857  |        |       | 101.38 | 1.05  |        |       |        |       |        |      | 16     | 6254  |        |       | 92.47  | 1.15  |        |       |        |       |        |      |       |       | 17     | 5681  | 83.99 | 1.27  |        |       |       |       |        |       | 20     | 5040  |        |       | 74.52  | 1.43 |       |       |        |       |       |       | 22     | 4573 | 67.62 | 1.58  |        |       |       |      |        |       |        |       | 25     | 3931  | 58.12  | 1.84 |       |       |        |       |        |      |        |      | 29     | 3431  | 50.73  | 2.1  |        |       |        |      |        |      |       |      | 34     | 2910 | 43.03 | 2.5  |        |      |        |      |       |      | 43     | 2285 | 33.78 | 3.2  |        |      |       |      |        |      | 53    | 1855 | 27.43 | 3.9  |       |      |       |      |        |      |       |      | 58     | 1712 | 25.31  | 4.2  |        |      |       |      |        |      | 22    | 4473 | 66.14  | 0.90 | F 97   | 4    |       |      |        |      |       |      | 25     | 3967 | 58.65 | 1.02 |       |      |        |      |        |      |      |      | 28     | 3587 | 53.03  | 1.13 |       |      |       |      |       |      |       |      | 32    | 3040 | 44.94 | 1.33 |       |      |       |      |       |      |       |      | 37    | 2655 | 39.26 | 1.52 |       |      |       |      |       |      |       |      | 44    | 2220 | 32.83 | 1.82 |       |      |       |      |       |      | 43    | 2317 |      |      | 34.26 | 1.74 |       |      |       |      |       |      |       |      | 48    | 2076 | 30.70 | 1.95 |       |      |       |      |       |      | 53    | 1875 | 27.72 | 2.2  |       |      |       |      |       |      | 58    | 1703 | 25.18 | 2.4  |       |      |       |      |       |      | 65    | 1511 | 22.34 | 2.7  |       |      |       |      |       |      | 37    | 2655 | 39.25 | 0.96 |       |      | F 87  | 4    |       |      |       |      |      |      | 42    | 2377 |       |      | 35.14 | 1.03 |       |      |       |      |       |      |       |      | 50    | 1972 | 29.16 | 1.20 |       |      |       |      |       |      |       |      | 55    | 1792 |       |      | 26.50 | 1.57 |       |      |       |      |       |      | 62    | 1602 | 23.68 | 1.76 |       |      |       |      |       |      | 68    | 1442 | 21.32 | 1.96 |       |      |       |      |       |      | 76    | 1306 | 19.31 | 2.16 |       |      |       |      |       |      | 85    | 1158 | 17.12 | 2.4  |       |      |       |      |       |      |       |      | 94    | 1047 | 15.48 | 2.7  |       |      |       |      |       |      | 111   | 887  | 13.12 | 3.2  |       |      |       |      |       |      | 74    | 1332 | 19.70 | 1.06 | F 77  | 4    |       |      |       |      |      |      | 83    | 1183 |       |      | 17.49 | 1.19 |       |      |       |      |       |      |      |      | 93    | 1058 | 15.64 | 1.33 |       |      |       |      |       |      | 104   | 951  | 14.06 | 1.48 |       |      |     |      |       |      | 120   | 825  | 12.20 | 1.71 |       |      |    |      |       |      |       |      | 134   | 739  | 10.93 | 1.91 |    |      |       |      |       |      | 156   | 632  | 9.35  | 1.61 |    |      |       |      |       |      | 176   | 561  | 8.30  | 1.81 |      |      |       |      |       |      |       |      | 197   | 502  |      |      | 7.42  | 2.0  |       |      |       |      |       |      |      |      | 219   | 451  | 6.67  | 2.3  |      |      |       |      |       |      | 252   | 392  |       |      | 5.79  | 2.6  |      |      |       |      |       |      | 281  | 351  | 5.19  | 2.9  |       |      |       |      |       |      | 340   | 291  | 4.30  | 3.3  |       |      |       |      |      |      |       |      |       |      |       |      |       |      |       |      |       |      |       |      |       |      |       |      |       |      |       |      |       |      |       |      |       |      |       |      |       |      |       |      |       |      |       |      |       |      |       |      |       |      |       |      |       |      |       |      |       |      |       |      |       |      |      |      |      |      |       |      |       |      |      |      |      |      |      |      |      |      |      |      |      |      |      |     |      |     |      |      |      |      |      |     |      |     |      |     |      |     |      |     |      |     |      |     |      |     |      |     |      |     |      |     |      |     |      |     |      |     |      |     |      |     |      |     |      |     |      |     |      |     |      |     |  |  |     |     |      |     |      |     |  |  |  |  |  |  |  |  |  |  |
|               |            |          |                        |             |         | 19            | 5140       | 76.00    | 2.2                    |             |         |       |       |        |      |       |       | 12     | 7977  | 117.94 | 0.91  |        |      | F 107 | 4     |        |       |       |       |        |       |       |       | 14     | 6857  |       |       | 101.38 | 1.05  |       |       |        |       |       |       | 16     | 6254  |        |       | 92.47  | 1.15  |        |       |        |       |        |      | 17     | 5681  |        |       | 83.99  | 1.27  |        |       |        |       |        |      |       |       | 20     | 5040  | 74.52 | 1.43  |        |       |       |       |        |       | 22     | 4573  |        |       | 67.62  | 1.58 |       |       |        |       |       |       | 25     | 3931 | 58.12 | 1.84  |        |       |       |      |        |       |        |       | 29     | 3431  | 50.73  | 2.1  |       |       |        |       |        |      |        |      | 34     | 2910  | 43.03  | 2.5  |        |       |        |      |        |      |       |      | 43     | 2285 | 33.78 | 3.2  |        |      |        |      |       |      | 53     | 1855 | 27.43 | 3.9  |        |      |       |      |        |      | 58    | 1712 | 25.31 | 4.2  |       |      |       |      |        |      | 22    | 4473 | 66.14  | 0.90 | F 97   | 4    |        |      |       |      |        |      | 25    | 3967 | 58.65  | 1.02 |        |      |       |      |        |      |       |      | 28     | 3587 | 53.03 | 1.13 |       |      |        |      |        |      |      |      | 32     | 3040 | 44.94  | 1.33 |       |      |       |      |       |      |       |      | 37    | 2655 | 39.26 | 1.52 |       |      |       |      |       |      |       |      | 44    | 2220 | 32.83 | 1.82 |       |      |       |      |       |      |       |      | 43    | 2317 | 34.26 | 1.74 |       |      |       |      |       |      | 48    | 2076 |      |      | 30.70 | 1.95 |       |      |       |      |       |      |       |      | 53    | 1875 | 27.72 | 2.2  |       |      |       |      |       |      | 58    | 1703 | 25.18 | 2.4  |       |      |       |      |       |      | 65    | 1511 | 22.34 | 2.7  |       |      |       |      |       |      | 37    | 2655 | 39.25 | 0.96 | F 87  | 4    |       |      |       |      |       |      | 42    | 2377 |       |      |       |      | 35.14 | 1.03 |       |      |      |      |       |      |       |      | 50    | 1972 | 29.16 | 1.20 |       |      |       |      |       |      | 55    | 1792 | 26.50 | 1.57 |       |      |       |      |       |      |       |      | 62    | 1602 |       |      | 23.68 | 1.76 |       |      |       |      |       |      | 68    | 1442 | 21.32 | 1.96 |       |      |       |      |       |      | 76    | 1306 | 19.31 | 2.16 |       |      |       |      |       |      | 85    | 1158 | 17.12 | 2.4  |       |      |       |      |       |      | 94    | 1047 | 15.48 | 2.7  |       |      |       |      |       |      |       |      | 111   | 887  | 13.12 | 3.2  |       |      |       |      |       |      | 74    | 1332 | 19.70 | 1.06 | F 77  | 4    |       |      |       |      |       |      | 83    | 1183 |       |      | 17.49 | 1.19 |       |      |      |      |       |      |       |      | 93    | 1058 | 15.64 | 1.33 |       |      |       |      |      |      | 104   | 951  | 14.06 | 1.48 |       |      |       |      |       |      | 120   | 825  | 12.20 | 1.71 |       |      |     |      |       |      | 134   | 739  | 10.93 | 1.91 |       |      |    |      |       |      |       |      | 156   | 632  | 9.35  | 1.61 |    |      |       |      |       |      | 176   | 561  | 8.30  | 1.81 |    |      |       |      |       |      | 197   | 502  | 7.42  | 2.0  |      |      |       |      |       |      |       |      | 219   | 451  |      |      | 6.67  | 2.3  |       |      |       |      |       |      |      |      | 252   | 392  | 5.79  | 2.6  |      |      |       |      |       |      | 281   | 351  |       |      | 5.19  | 2.9  |      |      |       |      |       |      | 340  | 291  | 4.30  | 3.3  |       |      |       |      |       |      |       |      |       |      |       |      |       |      |      |      |       |      |       |      |       |      |       |      |       |      |       |      |       |      |       |      |       |      |       |      |       |      |       |      |       |      |       |      |       |      |       |      |       |      |       |      |       |      |       |      |       |      |       |      |       |      |       |      |       |      |       |      |       |      |       |      |      |      |      |      |       |      |       |      |      |      |      |      |      |      |      |      |      |      |      |      |      |     |      |     |      |      |      |      |      |     |      |     |      |     |      |     |      |     |      |     |      |     |      |     |      |     |      |     |      |     |      |     |      |     |      |     |      |     |      |     |      |     |      |     |      |     |      |     |      |     |  |  |     |     |      |     |      |     |  |  |  |  |  |  |  |  |  |  |
|               |            |          |                        |             |         | 12            | 7977       | 117.94   | 0.91                   |             |         | F 107 | 4     |        |      |       |       |        |       |        |       |        |      |       |       |        |       |       |       |        |       |       |       |        |       |       |       |        |       |       |       |        |       |       |       |        |       |        |       |        |       |        |       |        |       |        |      |        |       |        |       |        |       |        |       |        |       |        |      |       |       |        |       |       |       |        |       |       |       |        |       |        |       |        |       |        |      |       |       |        |       |       |       |        |      |       |       |        |       |       |      |        |       |        |       |        |       |        |      |       |       |        |       |        |      |        |      |        |       |        |      |        |       |        |      |        |      |       |      |        |      |       |      |        |      |        |      |       |      |        |      |       |      |        |      |       |      |        |      |       |      |       |      |       |      |       |      |        |      |       |      |        |      |        |      |        |      |       |      |        |      |       |      |        |      |        |      |       |      |        |      |       |      |        |      |       |      |       |      |        |      |        |      |      |      |        |      |        |      |       |      |       |      |       |      |       |      |       |      |       |      |       |      |       |      |       |      |       |      |       |      |       |      |       |      |       |      |       |      |       |      |       |      |       |      |       |      |       |      |       |      |       |      |      |      |       |      |       |      |       |      |       |      |       |      |       |      |       |      |       |      |       |      |       |      |       |      |       |      |       |      |       |      |       |      |       |      |       |      |       |      |       |      |       |      |       |      |       |      |       |      |       |      |       |      |       |      |       |      |       |      |       |      |       |      |       |      |      |      |       |      |       |      |       |      |       |      |       |      |       |      |       |      |       |      |       |      |       |      |       |      |       |      |       |      |       |      |       |      |       |      |       |      |       |      |       |      |       |      |       |      |       |      |       |      |       |      |       |      |       |      |       |      |       |      |       |      |       |      |       |      |       |      |       |      |       |      |       |      |       |      |       |      |       |      |       |      |       |      |       |      |       |      |       |      |       |      |       |      |       |      |       |      |       |      |       |      |       |      |       |      |       |      |       |      |       |      |       |      |      |      |       |      |       |      |       |      |       |      |       |      |       |      |      |      |       |      |       |      |       |      |       |      |       |      |       |      |       |      |       |      |     |      |       |      |       |      |       |      |       |      |    |      |       |      |       |      |       |      |       |      |    |      |       |      |       |      |       |      |       |      |    |      |       |      |       |      |       |      |       |      |      |      |       |      |       |      |       |      |       |      |      |      |       |      |       |      |       |      |       |      |      |      |       |      |       |      |      |      |       |      |       |      |       |      |       |      |       |      |      |      |       |      |       |      |      |      |       |      |       |      |       |      |       |      |       |      |       |      |       |      |       |      |      |      |       |      |       |      |       |      |       |      |       |      |       |      |       |      |       |      |       |      |       |      |       |      |       |      |       |      |       |      |       |      |       |      |       |      |       |      |       |      |       |      |       |      |       |      |       |      |       |      |       |      |       |      |       |      |       |      |      |      |      |      |       |      |       |      |      |      |      |      |      |      |      |      |      |      |      |      |      |     |      |     |      |      |      |      |      |     |      |     |      |     |      |     |      |     |      |     |      |     |      |     |      |     |      |     |      |     |      |     |      |     |      |     |      |     |      |     |      |     |      |     |      |     |      |     |      |     |  |  |     |     |      |     |      |     |  |  |  |  |  |  |  |  |  |  |
|               |            |          |                        |             |         | 14            | 6857       | 101.38   | 1.05                   |             |         |       |       |        |      |       |       |        |       | 16     | 6254  |        |      |       |       | 92.47  | 1.15  |       |       |        |       |       |       | 17     | 5681  |       |       | 83.99  | 1.27  |       |       |        |       |       |       | 20     | 5040  |        |       | 74.52  | 1.43  |        |       |        |       |        |      | 22     | 4573  |        |       | 67.62  | 1.58  |        |       |        |       |        |      |       |       | 25     | 3931  | 58.12 | 1.84  |        |       |       |       |        |       | 29     | 3431  |        |       | 50.73  | 2.1  |       |       |        |       |       |       | 34     | 2910 | 43.03 | 2.5   |        |       |       |      |        |       |        |       | 43     | 2285  | 33.78  | 3.2  |       |       |        |       |        |      |        |      | 53     | 1855  | 27.43  | 3.9  |        |       |        |      |        |      |       |      | 58     | 1712 | 25.31 | 4.2  |        |      |        |      |       |      | 22     | 4473 | 66.14 | 0.90 | F 97   | 4    |       |      |        |      |       |      | 25    | 3967 | 58.65 | 1.02 |       |      |        |      |       |      | 28     | 3587 |        |      | 53.03  | 1.13 |       |      |        |      |       |      | 32     | 3040 |        |      | 44.94 | 1.33 |        |      |       |      |        |      | 37    | 2655 |       |      | 39.26  | 1.52 |        |      |      |      |        |      | 44     | 2220 |       |      | 32.83 | 1.82 |       |      |       |      |       |      | 43    | 2317 |       |      | 34.26 | 1.74 |       |      |       |      |       |      | 48    | 2076 |       |      | 30.70 | 1.95 |       |      |       |      |       |      | 53    | 1875 | 27.72 | 2.2  |       |      |       |      |       |      |      |      | 58    | 1703 | 25.18 | 2.4  |       |      |       |      |       |      | 65    | 1511 | 22.34 | 2.7  |       |      |       |      |       |      | 37    | 2655 | 39.25 | 0.96 | F 87  | 4    |       |      |       |      |       |      | 42    | 2377 | 35.14 | 1.03 |       |      |       |      |       |      | 50    | 1972 |       |      | 29.16 | 1.20 |       |      |       |      |       |      | 55    | 1792 |       |      | 26.50 | 1.57 |       |      |      |      |       |      |       |      | 62    | 1602 | 23.68 | 1.76 |       |      |       |      |       |      | 68    | 1442 | 21.32 | 1.96 |       |      |       |      |       |      |       |      | 76    | 1306 |       |      | 19.31 | 2.16 |       |      |       |      |       |      | 85    | 1158 | 17.12 | 2.4  |       |      |       |      |       |      | 94    | 1047 | 15.48 | 2.7  |       |      |       |      |       |      | 111   | 887  | 13.12 | 3.2  |       |      |       |      |       |      | 74    | 1332 | 19.70 | 1.06 | F 77  | 4    |       |      |       |      |       |      | 83    | 1183 | 17.49 | 1.19 |       |      |       |      |       |      | 93    | 1058 | 15.64 | 1.33 |       |      |       |      |       |      |       |      | 104   | 951  |       |      | 14.06 | 1.48 |       |      |      |      |       |      |       |      | 120   | 825  | 12.20 | 1.71 |       |      |       |      |      |      | 134   | 739  | 10.93 | 1.91 |       |      |       |      |       |      | 156   | 632  | 9.35  | 1.61 |       |      |     |      |       |      | 176   | 561  | 8.30  | 1.81 |       |      |    |      |       |      |       |      | 197   | 502  | 7.42  | 2.0  |    |      |       |      |       |      | 219   | 451  | 6.67  | 2.3  |    |      |       |      |       |      | 252   | 392  | 5.79  | 2.6  |      |      |       |      |       |      |       |      | 281   | 351  |      |      | 5.19  | 2.9  |       |      |       |      |       |      |      |      | 340   | 291  | 4.30  | 3.3  |      |      |       |      |       |      |       |      |       |      |       |      |      |      |       |      |       |      |      |      |       |      |       |      |       |      |       |      |       |      |       |      |       |      |       |      |      |      |       |      |       |      |       |      |       |      |       |      |       |      |       |      |       |      |       |      |       |      |       |      |       |      |       |      |       |      |       |      |       |      |       |      |       |      |       |      |       |      |       |      |       |      |       |      |       |      |       |      |       |      |       |      |       |      |      |      |      |      |       |      |       |      |      |      |      |      |      |      |      |      |      |      |      |      |      |     |      |     |      |      |      |      |      |     |      |     |      |     |      |     |      |     |      |     |      |     |      |     |      |     |      |     |      |     |      |     |      |     |      |     |      |     |      |     |      |     |      |     |      |     |      |     |      |     |  |  |     |     |      |     |      |     |  |  |  |  |  |  |  |  |  |  |
|               |            |          |                        |             |         | 16            | 6254       | 92.47    | 1.15                   |             |         |       |       |        |      |       |       |        |       | 17     | 5681  | 83.99  | 1.27 |       |       |        |       |       |       |        |       | 20    | 5040  | 74.52  | 1.43  |       |       |        |       |       |       |        |       | 22    | 4573  | 67.62  | 1.58  |        |       |        |       |        |       |        |       | 25     | 3931 | 58.12  | 1.84  |        |       |        |       |        |       |        |       | 29     | 3431 |       |       | 50.73  | 2.1   |       |       |        |       |       |       | 34     | 2910  | 43.03  | 2.5   |        |       |        |      |       |       |        |       | 43    | 2285  | 33.78  | 3.2  |       |       |        |       |       |      | 53     | 1855  |        |       | 27.43  | 3.9   |        |      |       |       |        |       | 58     | 1712 |        |      | 25.31  | 4.2   |        |      |        |       |        |      | 22     | 4473 | 66.14 | 0.90 | F 97   | 4    |       |      |        |      |        |      | 25    | 3967 | 58.65  | 1.02 |       |      |        |      |       |      | 28     | 3587 | 53.03 | 1.13 |       |      |       |      |       |      | 32     | 3040 | 44.94 | 1.33 |        |      |        |      |        |      | 37    | 2655 | 39.26  | 1.52 |       |      |        |      |        |      | 44    | 2220 | 32.83  | 1.82 |       |      |        |      |       |      |       |      | 43     | 2317 | 34.26  | 1.74 |      |      |        |      |        |      |       |      | 48    | 2076 | 30.70 | 1.95 |       |      |       |      |       |      |       |      | 53    | 1875 | 27.72 | 2.2  |       |      |       |      |       |      |       |      | 58    | 1703 | 25.18 | 2.4  |       |      |       |      |       |      | 65    | 1511 | 22.34 | 2.7  |       |      |       |      |      |      | 37    | 2655 | 39.25 | 0.96 | F 87  | 4    |       |      |       |      |       |      | 42    | 2377 | 35.14 | 1.03 |       |      |       |      |       |      | 50    | 1972 |       |      | 29.16 | 1.20 |       |      |       |      |       |      |       |      | 55    | 1792 | 26.50 | 1.57 |       |      |       |      |       |      | 62    | 1602 | 23.68 | 1.76 |       |      |       |      |       |      |       |      | 68    | 1442 | 21.32 | 1.96 |      |      |       |      |       |      | 76    | 1306 | 19.31 | 2.16 |       |      |       |      |       |      | 85    | 1158 | 17.12 | 2.4  |       |      |       |      |       |      |       |      | 94    | 1047 |       |      | 15.48 | 2.7  |       |      |       |      |       |      | 111   | 887  | 13.12 | 3.2  |       |      |       |      |       |      | 74    | 1332 | 19.70 | 1.06 | F 77  | 4    |       |      |       |      |       |      | 83    | 1183 | 17.49 | 1.19 |       |      |       |      |       |      | 93    | 1058 |       |      | 15.64 | 1.33 |       |      |       |      |       |      | 104   | 951  | 14.06 | 1.48 |       |      |       |      |       |      | 120   | 825  |       |      | 12.20 | 1.71 |       |      |       |      |       |      |       |      | 134   | 739  | 10.93 | 1.91 |      |      |       |      |       |      | 156   | 632  | 9.35  | 1.61 |       |      |       |      |      |      | 176   | 561  | 8.30  | 1.81 |       |      |       |      |       |      | 197   | 502  | 7.42  | 2.0  |       |      |     |      |       |      | 219   | 451  | 6.67  | 2.3  |       |      |    |      |       |      |       |      | 252   | 392  | 5.79  | 2.6  |    |      |       |      |       |      | 281   | 351  | 5.19  | 2.9  |    |      |       |      |       |      | 340   | 291  | 4.30  | 3.3  |      |      |       |      |       |      |       |      |       |      |      |      |       |      |       |      |       |      |       |      |      |      |       |      |       |      |      |      |       |      |       |      |       |      |       |      |       |      |      |      |       |      |       |      |      |      |       |      |       |      |       |      |       |      |       |      |       |      |       |      |       |      |      |      |       |      |       |      |       |      |       |      |       |      |       |      |       |      |       |      |       |      |       |      |       |      |       |      |       |      |       |      |       |      |       |      |       |      |       |      |       |      |       |      |       |      |       |      |       |      |       |      |       |      |       |      |       |      |       |      |      |      |      |      |       |      |       |      |      |      |      |      |      |      |      |      |      |      |      |      |      |     |      |     |      |      |      |      |      |     |      |     |      |     |      |     |      |     |      |     |      |     |      |     |      |     |      |     |      |     |      |     |      |     |      |     |      |     |      |     |      |     |      |     |      |     |      |     |      |     |  |  |     |     |      |     |      |     |  |  |  |  |  |  |  |  |  |  |
|               |            |          |                        |             |         | 17            | 5681       | 83.99    | 1.27                   |             |         |       |       |        |      | 20    | 5040  | 74.52  | 1.43  |        |       |        |      |       |       | 22     | 4573  | 67.62 | 1.58  |        |       |       |       |        |       |       |       | 25     | 3931  | 58.12 | 1.84  |        |       |       |       |        |       |        |       | 29     | 3431  | 50.73  | 2.1   |        |       |        |      |        |       |        |       | 34     | 2910  | 43.03  | 2.5   |        |       |        |      |       |       | 43     | 2285  | 33.78 | 3.2   |        |       |       |       |        |       | 53     | 1855  |        |       | 27.43  | 3.9  |       |       |        |       |       |       | 58     | 1712 | 25.31 | 4.2   |        |       |       |      |        |       |        |       | 22     | 4473  | 66.14  | 0.90 | F 97  | 4     |        |       |        |      |        |      | 25     | 3967  | 58.65  | 1.02 |        |       |        |      |        |      | 28    | 3587 |        |      | 53.03 | 1.13 |        |      |        |      |       |      | 32     | 3040 | 44.94 | 1.33 |        |      |       |      |        |      |       |      | 37    | 2655 | 39.26 | 1.52 |       |      |        |      |       |      | 44     | 2220 |        |      | 32.83  | 1.82 |       |      |        |      |       |      | 43     | 2317 |        |      | 34.26 | 1.74 |        |      |       |      |        |      | 48    | 2076 |       |      | 30.70  | 1.95 |        |      |      |      |        |      | 53     | 1875 |       |      | 27.72 | 2.2  |       |      |       |      |       |      | 58    | 1703 |       |      | 25.18 | 2.4  |       |      |       |      |       |      | 65    | 1511 |       |      | 22.34 | 2.7  |       |      |       |      |       |      | 37    | 2655 | 39.25 | 0.96 | F 87  | 4    |       |      |       |      |      |      | 42    | 2377 | 35.14 | 1.03 |       |      |       |      |       |      |       |      | 50    | 1972 | 29.16 | 1.20 |       |      |       |      |       |      | 55    | 1792 |       |      | 26.50 | 1.57 |       |      |       |      |       |      | 62    | 1602 | 23.68 | 1.76 |       |      |       |      |       |      |       |      | 68    | 1442 | 21.32 | 1.96 |       |      |       |      |       |      |       |      | 76    | 1306 | 19.31 | 2.16 |      |      |       |      |       |      | 85    | 1158 | 17.12 | 2.4  |       |      |       |      |       |      | 94    | 1047 | 15.48 | 2.7  |       |      |       |      |       |      |       |      | 111   | 887  |       |      | 13.12 | 3.2  |       |      |       |      |       |      | 74    | 1332 | 19.70 | 1.06 | F 77  | 4    |       |      |       |      |       |      |       |      |       |      | 83    | 1183 | 17.49 | 1.19 |       |      |       |      |       |      | 93    | 1058 | 15.64 | 1.33 |       |      |       |      |       |      | 104   | 951  | 14.06 | 1.48 |       |      |       |      |       |      | 120   | 825  | 12.20 | 1.71 |       |      |       |      |       |      |       |      | 134   | 739  | 10.93 | 1.91 |       |      |       |      |       |      | 156   | 632  | 9.35  | 1.61 |      |      |       |      |       |      | 176   | 561  | 8.30  | 1.81 |       |      |       |      |      |      | 197   | 502  | 7.42  | 2.0  |       |      |       |      |       |      | 219   | 451  | 6.67  | 2.3  |       |      |     |      |       |      | 252   | 392  | 5.79  | 2.6  |       |      |    |      |       |      |       |      | 281   | 351  | 5.19  | 2.9  |    |      |       |      |       |      | 340   | 291  | 4.30  | 3.3  |    |      |       |      |       |      |       |      |       |      |      |      |       |      |       |      |       |      |       |      |      |      |       |      |       |      |       |      |       |      |      |      |       |      |       |      |      |      |       |      |       |      |       |      |       |      |       |      |      |      |       |      |       |      |      |      |       |      |       |      |       |      |       |      |       |      |       |      |       |      |       |      |      |      |       |      |       |      |       |      |       |      |       |      |       |      |       |      |       |      |       |      |       |      |       |      |       |      |       |      |       |      |       |      |       |      |       |      |       |      |       |      |       |      |       |      |       |      |       |      |       |      |       |      |       |      |       |      |       |      |      |      |      |      |       |      |       |      |      |      |      |      |      |      |      |      |      |      |      |      |      |     |      |     |      |      |      |      |      |     |      |     |      |     |      |     |      |     |      |     |      |     |      |     |      |     |      |     |      |     |      |     |      |     |      |     |      |     |      |     |      |     |      |     |      |     |      |     |      |     |  |  |     |     |      |     |      |     |  |  |  |  |  |  |  |  |  |  |
|               |            |          |                        |             |         | 20            | 5040       | 74.52    | 1.43                   |             |         |       |       |        |      | 22    | 4573  | 67.62  | 1.58  |        |       |        |      |       |       | 25     | 3931  | 58.12 | 1.84  |        |       |       |       |        |       |       |       | 29     | 3431  | 50.73 | 2.1   |        |       |       |       |        |       |        |       | 34     | 2910  | 43.03  | 2.5   |        |       |        |      |        |       |        |       | 43     | 2285  | 33.78  | 3.2   |        |       |        |      |       |       | 53     | 1855  | 27.43 | 3.9   |        |       |       |       |        |       | 58     | 1712  |        |       | 25.31  | 4.2  |       |       |        |       |       |       | 22     | 4473 | 66.14 | 0.90  | F 97   | 4     |       |      |        |       |        |       | 25     | 3967  | 58.65  | 1.02 |       |       |        |       |        |      |        |      | 28     | 3587  | 53.03  | 1.13 |        |       |        |      |        |      | 32    | 3040 |        |      | 44.94 | 1.33 |        |      |        |      |       |      | 37     | 2655 | 39.26 | 1.52 |        |      |       |      |        |      |       |      | 44    | 2220 | 32.83 | 1.82 |       |      |        |      |       |      | 43     | 2317 |        |      | 34.26  | 1.74 |       |      |        |      |       |      | 48     | 2076 |        |      | 30.70 | 1.95 |        |      |       |      |        |      | 53    | 1875 |       |      | 27.72  | 2.2  |        |      |      |      |        |      | 58     | 1703 |       |      | 25.18 | 2.4  |       |      |       |      |       |      | 65    | 1511 |       |      | 22.34 | 2.7  |       |      |       |      |       |      | 37    | 2655 |       |      | 39.25 | 0.96 | F 87  | 4    |       |      |       |      |       |      | 42    | 2377 |       |      | 35.14 | 1.03 |       |      |      |      |       |      | 50    | 1972 |       |      | 29.16 | 1.20 |       |      |       |      |       |      |       |      | 55    | 1792 | 26.50 | 1.57 |       |      |       |      |       |      | 62    | 1602 | 23.68 | 1.76 |       |      |       |      |       |      | 68    | 1442 | 21.32 | 1.96 |       |      |       |      |       |      | 76    | 1306 | 19.31 | 2.16 |       |      |       |      |       |      |       |      | 85    | 1158 | 17.12 | 2.4  |      |      |       |      |       |      | 94    | 1047 | 15.48 | 2.7  |       |      |       |      |       |      | 111   | 887  | 13.12 | 3.2  |       |      |       |      |       |      |       |      | 74    | 1332 |       |      | 19.70 | 1.06 | F 77  | 4    |       |      |       |      |       |      | 83    | 1183 |       |      | 17.49 | 1.19 |       |      |       |      |       |      |       |      | 93    | 1058 | 15.64 | 1.33 |       |      |       |      |       |      | 104   | 951  | 14.06 | 1.48 |       |      |       |      |       |      | 120   | 825  | 12.20 | 1.71 |       |      |       |      |       |      | 134   | 739  | 10.93 | 1.91 |       |      |       |      |       |      |       |      | 156   | 632  | 9.35  | 1.61 |       |      |       |      |       |      | 176   | 561  | 8.30  | 1.81 |      |      |       |      |       |      | 197   | 502  | 7.42  | 2.0  |       |      |       |      |      |      | 219   | 451  | 6.67  | 2.3  |       |      |       |      |       |      | 252   | 392  | 5.79  | 2.6  |       |      |     |      |       |      | 281   | 351  | 5.19  | 2.9  |       |      |    |      |       |      |       |      | 340   | 291  | 4.30  | 3.3  |    |      |       |      |       |      |       |      |       |      |    |      |       |      |       |      |       |      |       |      |      |      |       |      |       |      |       |      |       |      |      |      |       |      |       |      |       |      |       |      |      |      |       |      |       |      |      |      |       |      |       |      |       |      |       |      |       |      |      |      |       |      |       |      |      |      |       |      |       |      |       |      |       |      |       |      |       |      |       |      |       |      |      |      |       |      |       |      |       |      |       |      |       |      |       |      |       |      |       |      |       |      |       |      |       |      |       |      |       |      |       |      |       |      |       |      |       |      |       |      |       |      |       |      |       |      |       |      |       |      |       |      |       |      |       |      |       |      |       |      |      |      |      |      |       |      |       |      |      |      |      |      |      |      |      |      |      |      |      |      |      |     |      |     |      |      |      |      |      |     |      |     |      |     |      |     |      |     |      |     |      |     |      |     |      |     |      |     |      |     |      |     |      |     |      |     |      |     |      |     |      |     |      |     |      |     |      |     |      |     |  |  |     |     |      |     |      |     |  |  |  |  |  |  |  |  |  |  |
|               |            |          |                        |             |         | 22            | 4573       | 67.62    | 1.58                   |             |         |       |       |        |      | 25    | 3931  | 58.12  | 1.84  |        |       |        |      |       |       | 29     | 3431  | 50.73 | 2.1   |        |       |       |       |        |       |       |       | 34     | 2910  | 43.03 | 2.5   |        |       |       |       |        |       |        |       | 43     | 2285  | 33.78  | 3.2   |        |       |        |      |        |       |        |       | 53     | 1855  | 27.43  | 3.9   |        |       |        |      |       |       | 58     | 1712  | 25.31 | 4.2   |        |       |       |       |        |       | 22     | 4473  |        |       | 66.14  | 0.90 | F 97  | 4     |        |       |       |       |        |      | 25    | 3967  |        |       | 58.65 | 1.02 |        |       |        |       |        |       | 28     | 3587 |       |       | 53.03  | 1.13  |        |      |        |      |        |       | 32     | 3040 | 44.94  | 1.33  |        |      |        |      |       |      |        |      | 37    | 2655 | 39.26  | 1.52 |        |      |       |      |        |      | 44    | 2220 |        |      | 32.83 | 1.82 |        |      |       |      |       |      | 43    | 2317 | 34.26 | 1.74 |        |      |       |      |        |      |        |      | 48     | 2076 | 30.70 | 1.95 |        |      |       |      |        |      |        |      | 53    | 1875 | 27.72  | 2.2  |       |      |        |      |       |      |       |      | 58     | 1703 | 25.18  | 2.4  |      |      |        |      |        |      |       |      | 65    | 1511 | 22.34 | 2.7  |       |      |       |      |       |      |       |      | 37    | 2655 | 39.25 | 0.96 | F 87  | 4    |       |      |       |      |       |      | 42    | 2377 |       |      | 35.14 | 1.03 |       |      |       |      |       |      |       |      | 50    | 1972 | 29.16 | 1.20 |      |      |       |      |       |      |       |      | 55    | 1792 | 26.50 | 1.57 |       |      |       |      |       |      | 62    | 1602 | 23.68 | 1.76 |       |      |       |      |       |      | 68    | 1442 | 21.32 | 1.96 |       |      |       |      |       |      | 76    | 1306 | 19.31 | 2.16 |       |      |       |      |       |      | 85    | 1158 | 17.12 | 2.4  |       |      |       |      |       |      |       |      | 94    | 1047 | 15.48 | 2.7  |      |      |       |      |       |      | 111   | 887  | 13.12 | 3.2  |       |      |       |      |       |      | 74    | 1332 | 19.70 | 1.06 |       |      | F 77  | 4    |       |      |       |      |       |      | 83    | 1183 | 17.49 | 1.19 |       |      |       |      |       |      |       |      | 93    | 1058 |       |      | 15.64 | 1.33 |       |      |       |      |       |      |       |      | 104   | 951  | 14.06 | 1.48 |       |      |       |      |       |      | 120   | 825  | 12.20 | 1.71 |       |      |       |      |       |      | 134   | 739  | 10.93 | 1.91 |       |      |       |      |       |      | 156   | 632  | 9.35  | 1.61 |       |      |       |      |       |      |       |      | 176   | 561  | 8.30  | 1.81 |       |      |       |      |       |      | 197   | 502  | 7.42  | 2.0  |      |      |       |      |       |      | 219   | 451  | 6.67  | 2.3  |       |      |       |      |      |      | 252   | 392  | 5.79  | 2.6  |       |      |       |      |       |      | 281   | 351  | 5.19  | 2.9  |       |      |     |      |       |      | 340   | 291  | 4.30  | 3.3  |       |      |    |      |       |      |       |      |       |      |       |      |    |      |       |      |       |      |       |      |       |      |    |      |       |      |       |      |       |      |       |      |      |      |       |      |       |      |       |      |       |      |      |      |       |      |       |      |       |      |       |      |      |      |       |      |       |      |      |      |       |      |       |      |       |      |       |      |       |      |      |      |       |      |       |      |      |      |       |      |       |      |       |      |       |      |       |      |       |      |       |      |       |      |      |      |       |      |       |      |       |      |       |      |       |      |       |      |       |      |       |      |       |      |       |      |       |      |       |      |       |      |       |      |       |      |       |      |       |      |       |      |       |      |       |      |       |      |       |      |       |      |       |      |       |      |       |      |       |      |       |      |      |      |      |      |       |      |       |      |      |      |      |      |      |      |      |      |      |      |      |      |      |     |      |     |      |      |      |      |      |     |      |     |      |     |      |     |      |     |      |     |      |     |      |     |      |     |      |     |      |     |      |     |      |     |      |     |      |     |      |     |      |     |      |     |      |     |      |     |      |     |  |  |     |     |      |     |      |     |  |  |  |  |  |  |  |  |  |  |
|               |            |          |                        |             |         | 25            | 3931       | 58.12    | 1.84                   |             |         |       |       |        |      | 29    | 3431  | 50.73  | 2.1   |        |       |        |      |       |       | 34     | 2910  | 43.03 | 2.5   |        |       |       |       |        |       |       |       | 43     | 2285  | 33.78 | 3.2   |        |       |       |       |        |       |        |       | 53     | 1855  | 27.43  | 3.9   |        |       |        |      |        |       |        |       | 58     | 1712  | 25.31  | 4.2   |        |       |        |      |       |       | 22     | 4473  | 66.14 | 0.90  | F 97   | 4     |       |       |        |       |        |       | 25     | 3967  | 58.65  | 1.02 |       |       |        |       |       |       |        |      | 28    | 3587  |        |       | 53.03 | 1.13 |        |       |        |       |        |       | 32     | 3040 |       |       | 44.94  | 1.33  |        |      |        |      |        |       | 37     | 2655 | 39.26  | 1.52  |        |      |        |      |       |      |        |      | 44    | 2220 | 32.83  | 1.82 |        |      |       |      |        |      | 43    | 2317 |        |      | 34.26 | 1.74 |        |      |       |      |       |      | 48    | 2076 | 30.70 | 1.95 |        |      |       |      |        |      |        |      | 53     | 1875 | 27.72 | 2.2  |        |      |       |      |        |      |        |      | 58    | 1703 | 25.18  | 2.4  |       |      |        |      |       |      |       |      | 65     | 1511 | 22.34  | 2.7  |      |      |        |      |        |      |       |      | 37    | 2655 | 39.25 | 0.96 | F 87  | 4    |       |      |       |      |       |      | 42    | 2377 | 35.14 | 1.03 |       |      |       |      |       |      |       |      | 50    | 1972 |       |      | 29.16 | 1.20 |       |      |       |      |       |      |       |      | 55    | 1792 | 26.50 | 1.57 |      |      |       |      |       |      |       |      | 62    | 1602 | 23.68 | 1.76 |       |      |       |      |       |      | 68    | 1442 | 21.32 | 1.96 |       |      |       |      |       |      | 76    | 1306 | 19.31 | 2.16 |       |      |       |      |       |      | 85    | 1158 | 17.12 | 2.4  |       |      |       |      |       |      | 94    | 1047 | 15.48 | 2.7  |       |      |       |      |       |      |       |      | 111   | 887  | 13.12 | 3.2  |      |      |       |      |       |      | 74    | 1332 | 19.70 | 1.06 | F 77  | 4    |       |      |       |      |       |      | 83    | 1183 | 17.49 | 1.19 |       |      |       |      |       |      |       |      | 93    | 1058 | 15.64 | 1.33 |       |      |       |      |       |      |       |      | 104   | 951  |       |      | 14.06 | 1.48 |       |      |       |      |       |      |       |      | 120   | 825  | 12.20 | 1.71 |       |      |       |      |       |      | 134   | 739  | 10.93 | 1.91 |       |      |       |      |       |      | 156   | 632  | 9.35  | 1.61 |       |      |       |      |       |      | 176   | 561  | 8.30  | 1.81 |       |      |       |      |       |      |       |      | 197   | 502  | 7.42  | 2.0  |       |      |       |      |       |      | 219   | 451  | 6.67  | 2.3  |      |      |       |      |       |      | 252   | 392  | 5.79  | 2.6  |       |      |       |      |      |      | 281   | 351  | 5.19  | 2.9  |       |      |       |      |       |      | 340   | 291  | 4.30  | 3.3  |       |      |     |      |       |      |       |      |       |      |       |      |    |      |       |      |       |      |       |      |       |      |    |      |       |      |       |      |       |      |       |      |    |      |       |      |       |      |       |      |       |      |      |      |       |      |       |      |       |      |       |      |      |      |       |      |       |      |       |      |       |      |      |      |       |      |       |      |      |      |       |      |       |      |       |      |       |      |       |      |      |      |       |      |       |      |      |      |       |      |       |      |       |      |       |      |       |      |       |      |       |      |       |      |      |      |       |      |       |      |       |      |       |      |       |      |       |      |       |      |       |      |       |      |       |      |       |      |       |      |       |      |       |      |       |      |       |      |       |      |       |      |       |      |       |      |       |      |       |      |       |      |       |      |       |      |       |      |       |      |       |      |      |      |      |      |       |      |       |      |      |      |      |      |      |      |      |      |      |      |      |      |      |     |      |     |      |      |      |      |      |     |      |     |      |     |      |     |      |     |      |     |      |     |      |     |      |     |      |     |      |     |      |     |      |     |      |     |      |     |      |     |      |     |      |     |      |     |      |     |      |     |  |  |     |     |      |     |      |     |  |  |  |  |  |  |  |  |  |  |
|               |            |          |                        |             |         | 29            | 3431       | 50.73    | 2.1                    |             |         |       |       |        |      | 34    | 2910  | 43.03  | 2.5   |        |       |        |      |       |       | 43     | 2285  | 33.78 | 3.2   |        |       |       |       |        |       |       |       | 53     | 1855  | 27.43 | 3.9   |        |       |       |       |        |       |        |       | 58     | 1712  | 25.31  | 4.2   |        |       |        |      |        |       |        |       | 22     | 4473  | 66.14  | 0.90  | F 97   | 4     |        |      |       |       |        |       | 25    | 3967  |        |       | 58.65 | 1.02  |        |       |        |       |        |       | 28     | 3587 |       |       | 53.03  | 1.13  |       |       |        |      |       |       |        |       | 32    | 3040 | 44.94  | 1.33  |        |       |        |       |        |      |       |       | 37     | 2655  | 39.26  | 1.52 |        |      |        |       |        |      | 44     | 2220  | 32.83  | 1.82 |        |      |       |      |        |      | 43    | 2317 | 34.26  | 1.74 |        |      |       |      |        |      | 48    | 2076 |        |      | 30.70 | 1.95 |        |      |       |      |       |      | 53    | 1875 | 27.72 | 2.2  |        |      |       |      |        |      |        |      | 58     | 1703 | 25.18 | 2.4  |        |      |       |      |        |      |        |      | 65    | 1511 | 22.34  | 2.7  |       |      |        |      |       |      |       |      | 37     | 2655 | 39.25  | 0.96 | F 87 | 4    |        |      |        |      |       |      | 42    | 2377 | 35.14 | 1.03 |       |      |       |      |       |      |       |      | 50    | 1972 | 29.16 | 1.20 |       |      |       |      |       |      |       |      | 55    | 1792 |       |      | 26.50 | 1.57 |       |      |       |      |       |      |       |      | 62    | 1602 | 23.68 | 1.76 |      |      |       |      |       |      |       |      | 68    | 1442 | 21.32 | 1.96 |       |      |       |      |       |      | 76    | 1306 | 19.31 | 2.16 |       |      |       |      |       |      | 85    | 1158 | 17.12 | 2.4  |       |      |       |      |       |      | 94    | 1047 | 15.48 | 2.7  |       |      |       |      |       |      | 111   | 887  | 13.12 | 3.2  |       |      |       |      |       |      |       |      | 74    | 1332 | 19.70 | 1.06 | F 77 | 4    |       |      |       |      |       |      | 83    | 1183 |       |      | 17.49 | 1.19 |       |      |       |      |       |      | 93    | 1058 |       |      | 15.64 | 1.33 |       |      |       |      |       |      | 104   | 951  |       |      | 14.06 | 1.48 |       |      |       |      |       |      |       |      | 120   | 825  | 12.20 | 1.71 |       |      |       |      |       |      | 134   | 739  | 10.93 | 1.91 |       |      |       |      |       |      | 156   | 632  | 9.35  | 1.61 |       |      |       |      |       |      | 176   | 561  | 8.30  | 1.81 |       |      |       |      |       |      | 197   | 502  | 7.42  | 2.0  |       |      |       |      |       |      |       |      | 219   | 451  | 6.67  | 2.3  |       |      |       |      |       |      | 252   | 392  | 5.79  | 2.6  |      |      |       |      |       |      | 281   | 351  | 5.19  | 2.9  |       |      |       |      |      |      | 340   | 291  | 4.30  | 3.3  |       |      |       |      |       |      |       |      |       |      |       |      |     |      |       |      |       |      |       |      |       |      |    |      |       |      |       |      |       |      |       |      |    |      |       |      |       |      |       |      |       |      |    |      |       |      |       |      |       |      |       |      |      |      |       |      |       |      |       |      |       |      |      |      |       |      |       |      |       |      |       |      |      |      |       |      |       |      |      |      |       |      |       |      |       |      |       |      |       |      |      |      |       |      |       |      |      |      |       |      |       |      |       |      |       |      |       |      |       |      |       |      |       |      |      |      |       |      |       |      |       |      |       |      |       |      |       |      |       |      |       |      |       |      |       |      |       |      |       |      |       |      |       |      |       |      |       |      |       |      |       |      |       |      |       |      |       |      |       |      |       |      |       |      |       |      |       |      |       |      |       |      |      |      |      |      |       |      |       |      |      |      |      |      |      |      |      |      |      |      |      |      |      |     |      |     |      |      |      |      |      |     |      |     |      |     |      |     |      |     |      |     |      |     |      |     |      |     |      |     |      |     |      |     |      |     |      |     |      |     |      |     |      |     |      |     |      |     |      |     |      |     |  |  |     |     |      |     |      |     |  |  |  |  |  |  |  |  |  |  |
|               |            |          |                        |             |         | 34            | 2910       | 43.03    | 2.5                    |             |         |       |       |        |      | 43    | 2285  | 33.78  | 3.2   |        |       |        |      |       |       | 53     | 1855  | 27.43 | 3.9   |        |       |       |       |        |       |       |       | 58     | 1712  | 25.31 | 4.2   |        |       |       |       |        |       |        |       | 22     | 4473  | 66.14  | 0.90  | F 97   | 4     |        |      |        |       |        |       | 25     | 3967  | 58.65  | 1.02  |        |       |        |      |       |       |        |       | 28    | 3587  |        |       | 53.03 | 1.13  |        |       |        |       |        |       | 32     | 3040 |       |       | 44.94  | 1.33  |       |       |        |      |       |       |        |       | 37    | 2655 | 39.26  | 1.52  |        |       |        |       |        |      |       |       | 44     | 2220  | 32.83  | 1.82 |        |      |        |       |        |      | 43     | 2317  | 34.26  | 1.74 |        |      |       |      |        |      | 48    | 2076 | 30.70  | 1.95 |        |      |       |      |        |      | 53    | 1875 |        |      | 27.72 | 2.2  |        |      |       |      |       |      | 58    | 1703 | 25.18 | 2.4  |        |      |       |      |        |      |        |      | 65     | 1511 | 22.34 | 2.7  |        |      |       |      |        |      |        |      | 37    | 2655 | 39.25  | 0.96 | F 87  | 4    |        |      |       |      |       |      | 42     | 2377 | 35.14  | 1.03 |      |      |        |      |        |      |       |      | 50    | 1972 | 29.16 | 1.20 |       |      |       |      |       |      |       |      | 55    | 1792 | 26.50 | 1.57 |       |      |       |      |       |      |       |      | 62    | 1602 |       |      | 23.68 | 1.76 |       |      |       |      |       |      |       |      | 68    | 1442 | 21.32 | 1.96 |      |      |       |      |       |      |       |      | 76    | 1306 | 19.31 | 2.16 |       |      |       |      |       |      | 85    | 1158 | 17.12 | 2.4  |       |      |       |      |       |      | 94    | 1047 | 15.48 | 2.7  |       |      |       |      |       |      | 111   | 887  | 13.12 | 3.2  |       |      |       |      |       |      | 74    | 1332 | 19.70 | 1.06 | F 77  | 4    |       |      |       |      |       |      | 83    | 1183 | 17.49 | 1.19 |      |      |       |      |       |      |       |      | 93    | 1058 |       |      | 15.64 | 1.33 |       |      |       |      |       |      | 104   | 951  |       |      | 14.06 | 1.48 |       |      |       |      |       |      | 120   | 825  |       |      | 12.20 | 1.71 |       |      |       |      |       |      |       |      | 134   | 739  | 10.93 | 1.91 |       |      |       |      |       |      | 156   | 632  | 9.35  | 1.61 |       |      |       |      |       |      | 176   | 561  | 8.30  | 1.81 |       |      |       |      |       |      | 197   | 502  | 7.42  | 2.0  |       |      |       |      |       |      | 219   | 451  | 6.67  | 2.3  |       |      |       |      |       |      |       |      | 252   | 392  | 5.79  | 2.6  |       |      |       |      |       |      | 281   | 351  | 5.19  | 2.9  |      |      |       |      |       |      | 340   | 291  | 4.30  | 3.3  |       |      |       |      |      |      |       |      |       |      |       |      |       |      |       |      |       |      |       |      |       |      |     |      |       |      |       |      |       |      |       |      |    |      |       |      |       |      |       |      |       |      |    |      |       |      |       |      |       |      |       |      |    |      |       |      |       |      |       |      |       |      |      |      |       |      |       |      |       |      |       |      |      |      |       |      |       |      |       |      |       |      |      |      |       |      |       |      |      |      |       |      |       |      |       |      |       |      |       |      |      |      |       |      |       |      |      |      |       |      |       |      |       |      |       |      |       |      |       |      |       |      |       |      |      |      |       |      |       |      |       |      |       |      |       |      |       |      |       |      |       |      |       |      |       |      |       |      |       |      |       |      |       |      |       |      |       |      |       |      |       |      |       |      |       |      |       |      |       |      |       |      |       |      |       |      |       |      |       |      |       |      |      |      |      |      |       |      |       |      |      |      |      |      |      |      |      |      |      |      |      |      |      |     |      |     |      |      |      |      |      |     |      |     |      |     |      |     |      |     |      |     |      |     |      |     |      |     |      |     |      |     |      |     |      |     |      |     |      |     |      |     |      |     |      |     |      |     |      |     |      |     |  |  |     |     |      |     |      |     |  |  |  |  |  |  |  |  |  |  |
|               |            |          |                        |             |         | 43            | 2285       | 33.78    | 3.2                    |             |         |       |       |        |      | 53    | 1855  | 27.43  | 3.9   |        |       |        |      |       |       | 58     | 1712  | 25.31 | 4.2   |        |       |       |       |        |       |       |       | 22     | 4473  | 66.14 | 0.90  | F 97   | 4     |       |       |        |       |        |       | 25     | 3967  | 58.65  | 1.02  |        |       |        |      |        |       |        |       | 28     | 3587  | 53.03  | 1.13  |        |       |        |      |       |       |        |       | 32    | 3040  |        |       | 44.94 | 1.33  |        |       |        |       |        |       | 37     | 2655 |       |       | 39.26  | 1.52  |       |       |        |      |       |       |        |       | 44    | 2220 | 32.83  | 1.82  |        |       |        |       |        |      |       |       | 43     | 2317  | 34.26  | 1.74 |        |      |        |       |        |      | 48     | 2076  | 30.70  | 1.95 |        |      |       |      |        |      | 53    | 1875 | 27.72  | 2.2  |        |      |       |      |        |      | 58    | 1703 |        |      | 25.18 | 2.4  |        |      |       |      |       |      | 65    | 1511 | 22.34 | 2.7  |        |      |       |      |        |      |        |      | 37     | 2655 | 39.25 | 0.96 | F 87   | 4    |       |      |        |      |        |      | 42    | 2377 | 35.14  | 1.03 |       |      |        |      |       |      |       |      | 50     | 1972 | 29.16  | 1.20 |      |      |        |      |        |      |       |      | 55    | 1792 | 26.50 | 1.57 |       |      |       |      |       |      |       |      | 62    | 1602 | 23.68 | 1.76 |       |      |       |      |       |      |       |      | 68    | 1442 |       |      | 21.32 | 1.96 |       |      |       |      |       |      |       |      | 76    | 1306 | 19.31 | 2.16 |      |      |       |      |       |      |       |      | 85    | 1158 | 17.12 | 2.4  |       |      |       |      |       |      | 94    | 1047 | 15.48 | 2.7  |       |      |       |      |       |      | 111   | 887  | 13.12 | 3.2  |       |      |       |      |       |      | 74    | 1332 | 19.70 | 1.06 | F 77  | 4    |       |      |       |      |       |      | 83    | 1183 |       |      | 17.49 | 1.19 |       |      |       |      |       |      | 93    | 1058 |      |      | 15.64 | 1.33 |       |      |       |      |       |      |       |      | 104   | 951  | 14.06 | 1.48 |       |      |       |      |       |      |       |      | 120   | 825  | 12.20 | 1.71 |       |      |       |      |       |      |       |      | 134   | 739  | 10.93 | 1.91 |       |      |       |      |       |      | 156   | 632  | 9.35  | 1.61 |       |      |       |      |       |      | 176   | 561  | 8.30  | 1.81 |       |      |       |      |       |      | 197   | 502  | 7.42  | 2.0  |       |      |       |      |       |      | 219   | 451  | 6.67  | 2.3  |       |      |       |      |       |      | 252   | 392  | 5.79  | 2.6  |       |      |       |      |       |      |       |      | 281   | 351  | 5.19  | 2.9  |       |      |       |      |       |      | 340   | 291  | 4.30  | 3.3  |      |      |       |      |       |      |       |      |       |      |       |      |       |      |      |      |       |      |       |      |       |      |       |      |       |      |       |      |       |      |       |      |     |      |       |      |       |      |       |      |       |      |    |      |       |      |       |      |       |      |       |      |    |      |       |      |       |      |       |      |       |      |    |      |       |      |       |      |       |      |       |      |      |      |       |      |       |      |       |      |       |      |      |      |       |      |       |      |       |      |       |      |      |      |       |      |       |      |      |      |       |      |       |      |       |      |       |      |       |      |      |      |       |      |       |      |      |      |       |      |       |      |       |      |       |      |       |      |       |      |       |      |       |      |      |      |       |      |       |      |       |      |       |      |       |      |       |      |       |      |       |      |       |      |       |      |       |      |       |      |       |      |       |      |       |      |       |      |       |      |       |      |       |      |       |      |       |      |       |      |       |      |       |      |       |      |       |      |       |      |       |      |      |      |      |      |       |      |       |      |      |      |      |      |      |      |      |      |      |      |      |      |      |     |      |     |      |      |      |      |      |     |      |     |      |     |      |     |      |     |      |     |      |     |      |     |      |     |      |     |      |     |      |     |      |     |      |     |      |     |      |     |      |     |      |     |      |     |      |     |      |     |  |  |     |     |      |     |      |     |  |  |  |  |  |  |  |  |  |  |
|               |            |          |                        |             |         | 53            | 1855       | 27.43    | 3.9                    |             |         |       |       |        |      | 58    | 1712  | 25.31  | 4.2   |        |       |        |      |       |       | 22     | 4473  | 66.14 | 0.90  | F 97   | 4     |       |       |        |       |       |       | 25     | 3967  | 58.65 | 1.02  |        |       |       |       |        |       |        |       | 28     | 3587  | 53.03  | 1.13  |        |       |        |      |        |       |        |       | 32     | 3040  | 44.94  | 1.33  |        |       |        |      |       |       |        |       | 37    | 2655  |        |       | 39.26 | 1.52  |        |       |        |       |        |       | 44     | 2220 |       |       | 32.83  | 1.82  |       |       |        |      |       |       |        |       | 43    | 2317 | 34.26  | 1.74  |        |       |        |       |        |      |       |       | 48     | 2076  | 30.70  | 1.95 |        |      |        |       |        |      | 53     | 1875  | 27.72  | 2.2  |        |      |       |      |        |      | 58    | 1703 | 25.18  | 2.4  |        |      |       |      |        |      | 65    | 1511 |        |      | 22.34 | 2.7  |        |      |       |      |       |      | 37    | 2655 | 39.25 | 0.96 | F 87   | 4    |       |      |        |      |        |      | 42     | 2377 | 35.14 | 1.03 |        |      |       |      |        |      |        |      | 50    | 1972 | 29.16  | 1.20 |       |      |        |      |       |      |       |      | 55     | 1792 | 26.50  | 1.57 |      |      |        |      |        |      |       |      | 62    | 1602 | 23.68 | 1.76 |       |      |       |      |       |      |       |      | 68    | 1442 | 21.32 | 1.96 |       |      |       |      |       |      |       |      | 76    | 1306 |       |      | 19.31 | 2.16 |       |      |       |      |       |      |       |      | 85    | 1158 | 17.12 | 2.4  |      |      |       |      |       |      |       |      | 94    | 1047 | 15.48 | 2.7  |       |      |       |      |       |      | 111   | 887  | 13.12 | 3.2  |       |      |       |      |       |      | 74    | 1332 | 19.70 | 1.06 | F 77  | 4    |       |      |       |      |       |      | 83    | 1183 |       |      | 17.49 | 1.19 |       |      |       |      |       |      |       |      | 93    | 1058 | 15.64 | 1.33 |       |      |       |      |       |      |      |      | 104   | 951  | 14.06 | 1.48 |       |      |       |      |       |      | 120   | 825  | 12.20 | 1.71 |       |      |       |      |       |      |       |      | 134   | 739  | 10.93 | 1.91 |       |      |       |      |       |      |       |      | 156   | 632  | 9.35  | 1.61 |       |      |       |      |       |      | 176   | 561  | 8.30  | 1.81 |       |      |       |      |       |      | 197   | 502  | 7.42  | 2.0  |       |      |       |      |       |      | 219   | 451  | 6.67  | 2.3  |       |      |       |      |       |      | 252   | 392  | 5.79  | 2.6  |       |      |       |      |       |      | 281   | 351  | 5.19  | 2.9  |       |      |       |      |       |      |       |      | 340   | 291  | 4.30  | 3.3  |       |      |       |      |       |      |       |      |       |      |      |      |       |      |       |      |       |      |       |      |       |      |       |      |      |      |       |      |       |      |       |      |       |      |       |      |       |      |       |      |       |      |     |      |       |      |       |      |       |      |       |      |    |      |       |      |       |      |       |      |       |      |    |      |       |      |       |      |       |      |       |      |    |      |       |      |       |      |       |      |       |      |      |      |       |      |       |      |       |      |       |      |      |      |       |      |       |      |       |      |       |      |      |      |       |      |       |      |      |      |       |      |       |      |       |      |       |      |       |      |      |      |       |      |       |      |      |      |       |      |       |      |       |      |       |      |       |      |       |      |       |      |       |      |      |      |       |      |       |      |       |      |       |      |       |      |       |      |       |      |       |      |       |      |       |      |       |      |       |      |       |      |       |      |       |      |       |      |       |      |       |      |       |      |       |      |       |      |       |      |       |      |       |      |       |      |       |      |       |      |       |      |      |      |      |      |       |      |       |      |      |      |      |      |      |      |      |      |      |      |      |      |      |     |      |     |      |      |      |      |      |     |      |     |      |     |      |     |      |     |      |     |      |     |      |     |      |     |      |     |      |     |      |     |      |     |      |     |      |     |      |     |      |     |      |     |      |     |      |     |      |     |  |  |     |     |      |     |      |     |  |  |  |  |  |  |  |  |  |  |
|               |            |          |                        |             |         | 58            | 1712       | 25.31    | 4.2                    |             |         |       |       |        |      | 22    | 4473  | 66.14  | 0.90  | F 97   | 4     |        |      |       |       |        |       | 25    | 3967  |        |       | 58.65 | 1.02  |        |       |       |       |        |       | 28    | 3587  |        |       | 53.03 | 1.13  |        |       |        |       |        |       | 32     | 3040  |        |       | 44.94  | 1.33 |        |       |        |       |        |       | 37     | 2655  |        |       | 39.26  | 1.52 |       |       |        |       |       |       |        |       | 44    | 2220  | 32.83  | 1.82  |        |       |        |       |        |      |       |       | 43     | 2317  | 34.26 | 1.74  |        |      |       |       |        |       | 48    | 2076 | 30.70  | 1.95  |        |       |        |       |        |      |       |       | 53     | 1875  | 27.72  | 2.2  |        |      |        |       |        |      | 58     | 1703  | 25.18  | 2.4  |        |      |       |      |        |      | 65    | 1511 | 22.34  | 2.7  |        |      |       |      |        |      | 37    | 2655 |        |      | 39.25 | 0.96 | F 87   | 4    |       |      |       |      |       |      | 42    | 2377 |        |      | 35.14 | 1.03 |        |      |        |      |        |      | 50    | 1972 |        |      | 29.16 | 1.20 |        |      |        |      |       |      | 55     | 1792 |       |      | 26.50  | 1.57 |       |      |       |      |        |      | 62     | 1602 |      |      | 23.68  | 1.76 |        |      |       |      |       |      | 68    | 1442 |       |      | 21.32 | 1.96 |       |      |       |      |       |      | 76    | 1306 |       |      | 19.31 | 2.16 |       |      |       |      |       |      |       |      | 85    | 1158 | 17.12 | 2.4  |       |      |       |      |       |      | 94    | 1047 | 15.48 | 2.7  |      |      |       |      |       |      |       |      | 111   | 887  | 13.12 | 3.2  |       |      |       |      |       |      | 74    | 1332 | 19.70 | 1.06 | F 77  | 4    |       |      |       |      |       |      | 83    | 1183 |       |      | 17.49 | 1.19 |       |      |       |      |       |      |       |      | 93    | 1058 | 15.64 | 1.33 |       |      |       |      |       |      | 104   | 951  | 14.06 | 1.48 |       |      |       |      |       |      |      |      | 120   | 825  | 12.20 | 1.71 |       |      |       |      |       |      | 134   | 739  | 10.93 | 1.91 |       |      |       |      |       |      |       |      | 156   | 632  | 9.35  | 1.61 |       |      |       |      |       |      |       |      | 176   | 561  | 8.30  | 1.81 |       |      |       |      |       |      | 197   | 502  | 7.42  | 2.0  |       |      |       |      |       |      | 219   | 451  | 6.67  | 2.3  |       |      |       |      |       |      | 252   | 392  | 5.79  | 2.6  |       |      |       |      |       |      | 281   | 351  | 5.19  | 2.9  |       |      |       |      |       |      | 340   | 291  | 4.30  | 3.3  |       |      |       |      |       |      |       |      |       |      |       |      |       |      |       |      |       |      |       |      |       |      |      |      |       |      |       |      |       |      |       |      |       |      |       |      |      |      |       |      |       |      |       |      |       |      |       |      |       |      |       |      |       |      |     |      |       |      |       |      |       |      |       |      |    |      |       |      |       |      |       |      |       |      |    |      |       |      |       |      |       |      |       |      |    |      |       |      |       |      |       |      |       |      |      |      |       |      |       |      |       |      |       |      |      |      |       |      |       |      |       |      |       |      |      |      |       |      |       |      |      |      |       |      |       |      |       |      |       |      |       |      |      |      |       |      |       |      |      |      |       |      |       |      |       |      |       |      |       |      |       |      |       |      |       |      |      |      |       |      |       |      |       |      |       |      |       |      |       |      |       |      |       |      |       |      |       |      |       |      |       |      |       |      |       |      |       |      |       |      |       |      |       |      |       |      |       |      |       |      |       |      |       |      |       |      |       |      |       |      |       |      |       |      |      |      |      |      |       |      |       |      |      |      |      |      |      |      |      |      |      |      |      |      |      |     |      |     |      |      |      |      |      |     |      |     |      |     |      |     |      |     |      |     |      |     |      |     |      |     |      |     |      |     |      |     |      |     |      |     |      |     |      |     |      |     |      |     |      |     |      |     |      |     |  |  |     |     |      |     |      |     |  |  |  |  |  |  |  |  |  |  |
|               |            |          |                        |             |         | 22            | 4473       | 66.14    | 0.90                   | F 97        | 4       |       |       |        |      |       |       |        |       |        |       |        |      |       |       |        |       |       |       |        |       |       |       |        |       |       |       |        |       |       |       |        |       |       |       |        |       |        |       |        |       |        |       |        |       |        |      |        |       |        |       |        |       |        |       |        |       |        |      |       |       |        |       |       |       |        |       |       |       |        |       |        |       |        |       |        |      |       |       |        |       |       |       |        |      |       |       |        |       |       |      |        |       |        |       |        |       |        |      |       |       |        |       |        |      |        |      |        |       |        |      |        |       |        |      |        |      |       |      |        |      |       |      |        |      |        |      |       |      |        |      |       |      |        |      |       |      |        |      |       |      |       |      |       |      |       |      |        |      |       |      |        |      |        |      |        |      |       |      |        |      |       |      |        |      |        |      |       |      |        |      |       |      |        |      |       |      |       |      |        |      |        |      |      |      |        |      |        |      |       |      |       |      |       |      |       |      |       |      |       |      |       |      |       |      |       |      |       |      |       |      |       |      |       |      |       |      |       |      |       |      |       |      |       |      |       |      |       |      |       |      |       |      |      |      |       |      |       |      |       |      |       |      |       |      |       |      |       |      |       |      |       |      |       |      |       |      |       |      |       |      |       |      |       |      |       |      |       |      |       |      |       |      |       |      |       |      |       |      |       |      |       |      |       |      |       |      |       |      |       |      |       |      |       |      |       |      |      |      |       |      |       |      |       |      |       |      |       |      |       |      |       |      |       |      |       |      |       |      |       |      |       |      |       |      |       |      |       |      |       |      |       |      |       |      |       |      |       |      |       |      |       |      |       |      |       |      |       |      |       |      |       |      |       |      |       |      |       |      |       |      |       |      |       |      |       |      |       |      |       |      |       |      |       |      |       |      |       |      |       |      |       |      |       |      |       |      |       |      |       |      |       |      |       |      |       |      |       |      |       |      |       |      |       |      |       |      |       |      |      |      |       |      |       |      |       |      |       |      |       |      |       |      |      |      |       |      |       |      |       |      |       |      |       |      |       |      |       |      |       |      |     |      |       |      |       |      |       |      |       |      |    |      |       |      |       |      |       |      |       |      |    |      |       |      |       |      |       |      |       |      |    |      |       |      |       |      |       |      |       |      |      |      |       |      |       |      |       |      |       |      |      |      |       |      |       |      |       |      |       |      |      |      |       |      |       |      |      |      |       |      |       |      |       |      |       |      |       |      |      |      |       |      |       |      |      |      |       |      |       |      |       |      |       |      |       |      |       |      |       |      |       |      |      |      |       |      |       |      |       |      |       |      |       |      |       |      |       |      |       |      |       |      |       |      |       |      |       |      |       |      |       |      |       |      |       |      |       |      |       |      |       |      |       |      |       |      |       |      |       |      |       |      |       |      |       |      |       |      |       |      |      |      |      |      |       |      |       |      |      |      |      |      |      |      |      |      |      |      |      |      |      |     |      |     |      |      |      |      |      |     |      |     |      |     |      |     |      |     |      |     |      |     |      |     |      |     |      |     |      |     |      |     |      |     |      |     |      |     |      |     |      |     |      |     |      |     |      |     |      |     |  |  |     |     |      |     |      |     |  |  |  |  |  |  |  |  |  |  |
|               |            |          |                        |             |         | 25            | 3967       | 58.65    | 1.02                   |             |         |       |       |        |      |       |       | 28     | 3587  |        |       | 53.03  | 1.13 |       |       |        |       |       |       |        |       | 32    | 3040  | 44.94  | 1.33  |       |       |        |       |       |       |        |       | 37    | 2655  | 39.26  | 1.52  |        |       |        |       |        |       |        |       | 44     | 2220 | 32.83  | 1.82  |        |       |        |       |        |       |        |       | 43     | 2317 | 34.26 | 1.74  |        |       |       |       |        |       | 48    | 2076  | 30.70  | 1.95  |        |       |        |       |        |      |       |       | 53     | 1875  | 27.72 | 2.2   |        |      |       |       |        |       | 58    | 1703 | 25.18  | 2.4   |        |       |        |       |        |      |       |       | 65     | 1511  | 22.34  | 2.7  |        |      |        |       |        |      | 37     | 2655  | 39.25  | 0.96 | F 87   | 4    |       |      |        |      |       |      | 42     | 2377 | 35.14  | 1.03 |       |      |        |      |       |      |        |      | 50    | 1972 |        |      | 29.16 | 1.20 |       |      |       |      |       |      |        |      | 55    | 1792 | 26.50  | 1.57 |        |      |        |      |       |      |        |      | 62    | 1602 | 23.68  | 1.76 |        |      |       |      |        |      |       |      | 68     | 1442 | 21.32 | 1.96 |       |      |        |      |        |      |      |      | 76     | 1306 | 19.31  | 2.16 |       |      |       |      |       |      |       |      | 85    | 1158 | 17.12 | 2.4  |       |      |       |      |       |      |       |      | 94    | 1047 | 15.48 | 2.7  |       |      |       |      |       |      | 111   | 887  | 13.12 | 3.2  |       |      |       |      |       |      | 74    | 1332 | 19.70 | 1.06 | F 77 | 4    |       |      |       |      |       |      | 83    | 1183 | 17.49 | 1.19 |       |      |       |      |       |      | 93    | 1058 | 15.64 | 1.33 |       |      |       |      |       |      |       |      | 104   | 951  |       |      | 14.06 | 1.48 |       |      |       |      |       |      |       |      | 120   | 825  | 12.20 | 1.71 |       |      |       |      |       |      | 134   | 739  | 10.93 | 1.91 |       |      |       |      |       |      |      |      | 156   | 632  | 9.35  | 1.61 |       |      |       |      |       |      | 176   | 561  | 8.30  | 1.81 |       |      |       |      |       |      |       |      | 197   | 502  | 7.42  | 2.0  |       |      |       |      |       |      |       |      | 219   | 451  | 6.67  | 2.3  |       |      |       |      |       |      | 252   | 392  | 5.79  | 2.6  |       |      |       |      |       |      | 281   | 351  | 5.19  | 2.9  |       |      |       |      |       |      | 340   | 291  | 4.30  | 3.3  |       |      |       |      |       |      |       |      |       |      |       |      |       |      |       |      |       |      |       |      |       |      |       |      |       |      |       |      |       |      |       |      |       |      |       |      |       |      |       |      |       |      |      |      |       |      |       |      |       |      |       |      |       |      |       |      |      |      |       |      |       |      |       |      |       |      |       |      |       |      |       |      |       |      |     |      |       |      |       |      |       |      |       |      |    |      |       |      |       |      |       |      |       |      |    |      |       |      |       |      |       |      |       |      |    |      |       |      |       |      |       |      |       |      |      |      |       |      |       |      |       |      |       |      |      |      |       |      |       |      |       |      |       |      |      |      |       |      |       |      |      |      |       |      |       |      |       |      |       |      |       |      |      |      |       |      |       |      |      |      |       |      |       |      |       |      |       |      |       |      |       |      |       |      |       |      |      |      |       |      |       |      |       |      |       |      |       |      |       |      |       |      |       |      |       |      |       |      |       |      |       |      |       |      |       |      |       |      |       |      |       |      |       |      |       |      |       |      |       |      |       |      |       |      |       |      |       |      |       |      |       |      |       |      |      |      |      |      |       |      |       |      |      |      |      |      |      |      |      |      |      |      |      |      |      |     |      |     |      |      |      |      |      |     |      |     |      |     |      |     |      |     |      |     |      |     |      |     |      |     |      |     |      |     |      |     |      |     |      |     |      |     |      |     |      |     |      |     |      |     |      |     |      |     |  |  |     |     |      |     |      |     |  |  |  |  |  |  |  |  |  |  |
|               |            |          |                        |             |         | 28            | 3587       | 53.03    | 1.13                   |             |         |       |       |        |      |       |       | 32     | 3040  |        |       | 44.94  | 1.33 |       |       |        |       |       |       |        |       | 37    | 2655  | 39.26  | 1.52  |       |       |        |       |       |       |        |       | 44    | 2220  | 32.83  | 1.82  |        |       |        |       |        |       |        |       | 43     | 2317 | 34.26  | 1.74  |        |       |        |       |        |       |        |       | 48     | 2076 | 30.70 | 1.95  |        |       |       |       |        |       | 53    | 1875  | 27.72  | 2.2   |        |       |        |       |        |      |       |       | 58     | 1703  | 25.18 | 2.4   |        |      |       |       |        |       | 65    | 1511 | 22.34  | 2.7   |        |       |        |       |        |      |       |       | 37     | 2655  | 39.25  | 0.96 | F 87   | 4    |        |       |        |      |        |       | 42     | 2377 |        |      | 35.14 | 1.03 |        |      |       |      |        |      |        |      | 50    | 1972 | 29.16  | 1.20 |       |      |        |      |       |      |        |      | 55    | 1792 | 26.50 | 1.57 |       |      |       |      |        |      | 62    | 1602 | 23.68  | 1.76 |        |      |        |      |       |      |        |      | 68    | 1442 | 21.32  | 1.96 |        |      |       |      |        |      |       |      | 76     | 1306 | 19.31 | 2.16 |       |      |        |      |        |      |      |      | 85     | 1158 | 17.12  | 2.4  |       |      |       |      |       |      |       |      | 94    | 1047 | 15.48 | 2.7  |       |      |       |      |       |      |       |      | 111   | 887  | 13.12 | 3.2  |       |      |       |      |       |      | 74    | 1332 | 19.70 | 1.06 | F 77  | 4    |       |      |       |      |       |      | 83    | 1183 |      |      | 17.49 | 1.19 |       |      |       |      |       |      | 93    | 1058 | 15.64 | 1.33 |       |      |       |      |       |      | 104   | 951  |       |      | 14.06 | 1.48 |       |      |       |      |       |      |       |      | 120   | 825  | 12.20 | 1.71 |       |      |       |      |       |      | 134   | 739  | 10.93 | 1.91 |       |      |       |      |       |      | 156   | 632  | 9.35  | 1.61 |       |      |       |      |       |      |      |      | 176   | 561  | 8.30  | 1.81 |       |      |       |      |       |      | 197   | 502  | 7.42  | 2.0  |       |      |       |      |       |      |       |      | 219   | 451  | 6.67  | 2.3  |       |      |       |      |       |      |       |      | 252   | 392  | 5.79  | 2.6  |       |      |       |      |       |      | 281   | 351  | 5.19  | 2.9  |       |      |       |      |       |      | 340   | 291  | 4.30  | 3.3  |       |      |       |      |       |      |       |      |       |      |       |      |       |      |       |      |       |      |       |      |       |      |       |      |       |      |       |      |       |      |       |      |       |      |       |      |       |      |       |      |       |      |       |      |       |      |       |      |       |      |       |      |      |      |       |      |       |      |       |      |       |      |       |      |       |      |      |      |       |      |       |      |       |      |       |      |       |      |       |      |       |      |       |      |     |      |       |      |       |      |       |      |       |      |    |      |       |      |       |      |       |      |       |      |    |      |       |      |       |      |       |      |       |      |    |      |       |      |       |      |       |      |       |      |      |      |       |      |       |      |       |      |       |      |      |      |       |      |       |      |       |      |       |      |      |      |       |      |       |      |      |      |       |      |       |      |       |      |       |      |       |      |      |      |       |      |       |      |      |      |       |      |       |      |       |      |       |      |       |      |       |      |       |      |       |      |      |      |       |      |       |      |       |      |       |      |       |      |       |      |       |      |       |      |       |      |       |      |       |      |       |      |       |      |       |      |       |      |       |      |       |      |       |      |       |      |       |      |       |      |       |      |       |      |       |      |       |      |       |      |       |      |       |      |      |      |      |      |       |      |       |      |      |      |      |      |      |      |      |      |      |      |      |      |      |     |      |     |      |      |      |      |      |     |      |     |      |     |      |     |      |     |      |     |      |     |      |     |      |     |      |     |      |     |      |     |      |     |      |     |      |     |      |     |      |     |      |     |      |     |      |     |      |     |  |  |     |     |      |     |      |     |  |  |  |  |  |  |  |  |  |  |
|               |            |          |                        |             |         | 32            | 3040       | 44.94    | 1.33                   |             |         |       |       |        |      |       |       | 37     | 2655  |        |       | 39.26  | 1.52 |       |       |        |       |       |       |        |       | 44    | 2220  | 32.83  | 1.82  |       |       |        |       |       |       |        |       | 43    | 2317  | 34.26  | 1.74  |        |       |        |       |        |       |        |       | 48     | 2076 | 30.70  | 1.95  |        |       |        |       |        |       |        |       | 53     | 1875 | 27.72 | 2.2   |        |       |       |       |        |       | 58    | 1703  | 25.18  | 2.4   |        |       |        |       |        |      |       |       | 65     | 1511  | 22.34 | 2.7   |        |      |       |       |        |       | 37    | 2655 | 39.25  | 0.96  | F 87   | 4     |        |       |        |      |       |       | 42     | 2377  | 35.14  | 1.03 |        |      |        |       |        |      |        |       | 50     | 1972 |        |      | 29.16 | 1.20 |        |      |       |      |        |      |        |      | 55    | 1792 | 26.50  | 1.57 |       |      |        |      |       |      |        |      | 62    | 1602 | 23.68 | 1.76 |       |      |       |      |        |      | 68    | 1442 | 21.32  | 1.96 |        |      |        |      |       |      |        |      | 76    | 1306 | 19.31  | 2.16 |        |      |       |      |        |      |       |      | 85     | 1158 | 17.12 | 2.4  |       |      |        |      |        |      |      |      | 94     | 1047 | 15.48  | 2.7  |       |      |       |      |       |      |       |      | 111   | 887  | 13.12 | 3.2  |       |      |       |      |       |      | 74    | 1332 | 19.70 | 1.06 | F 77  | 4    |       |      |       |      |       |      | 83    | 1183 | 17.49 | 1.19 |       |      |       |      |       |      |       |      | 93    | 1058 |      |      | 15.64 | 1.33 |       |      |       |      |       |      | 104   | 951  | 14.06 | 1.48 |       |      |       |      |       |      | 120   | 825  |       |      | 12.20 | 1.71 |       |      |       |      |       |      |       |      | 134   | 739  | 10.93 | 1.91 |       |      |       |      |       |      | 156   | 632  | 9.35  | 1.61 |       |      |       |      |       |      | 176   | 561  | 8.30  | 1.81 |       |      |       |      |       |      |      |      | 197   | 502  | 7.42  | 2.0  |       |      |       |      |       |      | 219   | 451  | 6.67  | 2.3  |       |      |       |      |       |      |       |      | 252   | 392  | 5.79  | 2.6  |       |      |       |      |       |      |       |      | 281   | 351  | 5.19  | 2.9  |       |      |       |      |       |      | 340   | 291  | 4.30  | 3.3  |       |      |       |      |       |      |       |      |       |      |       |      |       |      |       |      |       |      |       |      |       |      |       |      |       |      |       |      |       |      |       |      |       |      |       |      |       |      |       |      |       |      |       |      |       |      |       |      |       |      |       |      |       |      |       |      |       |      |       |      |       |      |      |      |       |      |       |      |       |      |       |      |       |      |       |      |      |      |       |      |       |      |       |      |       |      |       |      |       |      |       |      |       |      |     |      |       |      |       |      |       |      |       |      |    |      |       |      |       |      |       |      |       |      |    |      |       |      |       |      |       |      |       |      |    |      |       |      |       |      |       |      |       |      |      |      |       |      |       |      |       |      |       |      |      |      |       |      |       |      |       |      |       |      |      |      |       |      |       |      |      |      |       |      |       |      |       |      |       |      |       |      |      |      |       |      |       |      |      |      |       |      |       |      |       |      |       |      |       |      |       |      |       |      |       |      |      |      |       |      |       |      |       |      |       |      |       |      |       |      |       |      |       |      |       |      |       |      |       |      |       |      |       |      |       |      |       |      |       |      |       |      |       |      |       |      |       |      |       |      |       |      |       |      |       |      |       |      |       |      |       |      |       |      |      |      |      |      |       |      |       |      |      |      |      |      |      |      |      |      |      |      |      |      |      |     |      |     |      |      |      |      |      |     |      |     |      |     |      |     |      |     |      |     |      |     |      |     |      |     |      |     |      |     |      |     |      |     |      |     |      |     |      |     |      |     |      |     |      |     |      |     |      |     |  |  |     |     |      |     |      |     |  |  |  |  |  |  |  |  |  |  |
|               |            |          |                        |             |         | 37            | 2655       | 39.26    | 1.52                   |             |         |       |       |        |      |       |       | 44     | 2220  |        |       | 32.83  | 1.82 |       |       |        |       |       |       |        |       | 43    | 2317  | 34.26  | 1.74  |       |       |        |       |       |       |        |       | 48    | 2076  | 30.70  | 1.95  |        |       |        |       |        |       |        |       | 53     | 1875 | 27.72  | 2.2   |        |       |        |       |        |       |        |       | 58     | 1703 | 25.18 | 2.4   |        |       |       |       |        |       | 65    | 1511  | 22.34  | 2.7   |        |       |        |       |        |      |       |       | 37     | 2655  | 39.25 | 0.96  | F 87   | 4    |       |       |        |       |       |      | 42     | 2377  |        |       | 35.14  | 1.03  |        |      |       |       |        |       | 50     | 1972 |        |      | 29.16  | 1.20  |        |      |        |       |        |      |        |      | 55    | 1792 | 26.50  | 1.57 |       |      |        |      |        |      | 62    | 1602 | 23.68  | 1.76 |       |      |        |      |       |      |        |      | 68    | 1442 | 21.32 | 1.96 |       |      |       |      |        |      | 76    | 1306 | 19.31  | 2.16 |        |      |        |      |       |      |        |      | 85    | 1158 | 17.12  | 2.4  |        |      |       |      |        |      |       |      | 94     | 1047 | 15.48 | 2.7  |       |      |        |      |        |      |      |      | 111    | 887  | 13.12  | 3.2  |       |      |       |      |       |      | 74    | 1332 | 19.70 | 1.06 | F 77  | 4    |       |      |       |      |       |      | 83    | 1183 | 17.49 | 1.19 |       |      |       |      |       |      |       |      | 93    | 1058 | 15.64 | 1.33 |       |      |       |      |       |      |       |      | 104   | 951  |      |      | 14.06 | 1.48 |       |      |       |      |       |      | 120   | 825  | 12.20 | 1.71 |       |      |       |      |       |      | 134   | 739  |       |      | 10.93 | 1.91 |       |      |       |      |       |      |       |      | 156   | 632  | 9.35  | 1.61 |       |      |       |      |       |      | 176   | 561  | 8.30  | 1.81 |       |      |       |      |       |      | 197   | 502  | 7.42  | 2.0  |       |      |       |      |       |      |      |      | 219   | 451  | 6.67  | 2.3  |       |      |       |      |       |      | 252   | 392  | 5.79  | 2.6  |       |      |       |      |       |      |       |      | 281   | 351  | 5.19  | 2.9  |       |      |       |      |       |      |       |      | 340   | 291  | 4.30  | 3.3  |       |      |       |      |       |      |       |      |       |      |       |      |       |      |       |      |       |      |       |      |       |      |       |      |       |      |       |      |       |      |       |      |       |      |       |      |       |      |       |      |       |      |       |      |       |      |       |      |       |      |       |      |       |      |       |      |       |      |       |      |       |      |       |      |       |      |       |      |       |      |       |      |      |      |       |      |       |      |       |      |       |      |       |      |       |      |      |      |       |      |       |      |       |      |       |      |       |      |       |      |       |      |       |      |     |      |       |      |       |      |       |      |       |      |    |      |       |      |       |      |       |      |       |      |    |      |       |      |       |      |       |      |       |      |    |      |       |      |       |      |       |      |       |      |      |      |       |      |       |      |       |      |       |      |      |      |       |      |       |      |       |      |       |      |      |      |       |      |       |      |      |      |       |      |       |      |       |      |       |      |       |      |      |      |       |      |       |      |      |      |       |      |       |      |       |      |       |      |       |      |       |      |       |      |       |      |      |      |       |      |       |      |       |      |       |      |       |      |       |      |       |      |       |      |       |      |       |      |       |      |       |      |       |      |       |      |       |      |       |      |       |      |       |      |       |      |       |      |       |      |       |      |       |      |       |      |       |      |       |      |       |      |       |      |      |      |      |      |       |      |       |      |      |      |      |      |      |      |      |      |      |      |      |      |      |     |      |     |      |      |      |      |      |     |      |     |      |     |      |     |      |     |      |     |      |     |      |     |      |     |      |     |      |     |      |     |      |     |      |     |      |     |      |     |      |     |      |     |      |     |      |     |      |     |  |  |     |     |      |     |      |     |  |  |  |  |  |  |  |  |  |  |
|               |            |          |                        |             |         | 44            | 2220       | 32.83    | 1.82                   |             |         |       |       |        |      |       |       | 43     | 2317  |        |       | 34.26  | 1.74 |       |       |        |       |       |       |        |       | 48    | 2076  | 30.70  | 1.95  |       |       |        |       |       |       |        |       | 53    | 1875  | 27.72  | 2.2   |        |       |        |       |        |       |        |       | 58     | 1703 | 25.18  | 2.4   |        |       |        |       |        |       |        |       | 65     | 1511 | 22.34 | 2.7   |        |       |       |       |        |       | 37    | 2655  | 39.25  | 0.96  | F 87   | 4     |        |       |        |      |       |       | 42     | 2377  | 35.14 | 1.03  |        |      |       |       |        |       |       |      | 50     | 1972  |        |       | 29.16  | 1.20  |        |      |       |       |        |       | 55     | 1792 |        |      | 26.50  | 1.57  |        |      |        |       |        |      |        |      | 62    | 1602 | 23.68  | 1.76 |       |      |        |      |        |      | 68    | 1442 | 21.32  | 1.96 |       |      |        |      |       |      |        |      | 76    | 1306 | 19.31 | 2.16 |       |      |       |      |        |      | 85    | 1158 | 17.12  | 2.4  |        |      |        |      |       |      |        |      | 94    | 1047 | 15.48  | 2.7  |        |      |       |      |        |      |       |      | 111    | 887  | 13.12 | 3.2  |       |      |        |      |        |      | 74   | 1332 | 19.70  | 1.06 | F 77   | 4    |       |      |       |      |       |      | 83    | 1183 | 17.49 | 1.19 |       |      |       |      |       |      |       |      | 93    | 1058 | 15.64 | 1.33 |       |      |       |      |       |      |       |      | 104   | 951  | 14.06 | 1.48 |       |      |       |      |       |      |       |      | 120   | 825  |      |      | 12.20 | 1.71 |       |      |       |      |       |      | 134   | 739  | 10.93 | 1.91 |       |      |       |      |       |      | 156   | 632  |       |      | 9.35  | 1.61 |       |      |       |      |       |      |       |      | 176   | 561  | 8.30  | 1.81 |       |      |       |      |       |      | 197   | 502  | 7.42  | 2.0  |       |      |       |      |       |      | 219   | 451  | 6.67  | 2.3  |       |      |       |      |       |      |      |      | 252   | 392  | 5.79  | 2.6  |       |      |       |      |       |      | 281   | 351  | 5.19  | 2.9  |       |      |       |      |       |      |       |      | 340   | 291  | 4.30  | 3.3  |       |      |       |      |       |      |       |      |       |      |       |      |       |      |       |      |       |      |       |      |       |      |       |      |       |      |       |      |       |      |       |      |       |      |       |      |       |      |       |      |       |      |       |      |       |      |       |      |       |      |       |      |       |      |       |      |       |      |       |      |       |      |       |      |       |      |       |      |       |      |       |      |       |      |       |      |       |      |       |      |       |      |       |      |      |      |       |      |       |      |       |      |       |      |       |      |       |      |      |      |       |      |       |      |       |      |       |      |       |      |       |      |       |      |       |      |     |      |       |      |       |      |       |      |       |      |    |      |       |      |       |      |       |      |       |      |    |      |       |      |       |      |       |      |       |      |    |      |       |      |       |      |       |      |       |      |      |      |       |      |       |      |       |      |       |      |      |      |       |      |       |      |       |      |       |      |      |      |       |      |       |      |      |      |       |      |       |      |       |      |       |      |       |      |      |      |       |      |       |      |      |      |       |      |       |      |       |      |       |      |       |      |       |      |       |      |       |      |      |      |       |      |       |      |       |      |       |      |       |      |       |      |       |      |       |      |       |      |       |      |       |      |       |      |       |      |       |      |       |      |       |      |       |      |       |      |       |      |       |      |       |      |       |      |       |      |       |      |       |      |       |      |       |      |       |      |      |      |      |      |       |      |       |      |      |      |      |      |      |      |      |      |      |      |      |      |      |     |      |     |      |      |      |      |      |     |      |     |      |     |      |     |      |     |      |     |      |     |      |     |      |     |      |     |      |     |      |     |      |     |      |     |      |     |      |     |      |     |      |     |      |     |      |     |      |     |  |  |     |     |      |     |      |     |  |  |  |  |  |  |  |  |  |  |
|               |            |          |                        |             |         | 43            | 2317       | 34.26    | 1.74                   |             |         |       |       |        |      |       |       | 48     | 2076  |        |       | 30.70  | 1.95 |       |       |        |       |       |       |        |       | 53    | 1875  | 27.72  | 2.2   |       |       |        |       |       |       |        |       | 58    | 1703  | 25.18  | 2.4   |        |       |        |       |        |       |        |       | 65     | 1511 | 22.34  | 2.7   |        |       |        |       |        |       |        |       | 37     | 2655 | 39.25 | 0.96  | F 87   | 4     |       |       |        |       |       |       | 42     | 2377  |        |       | 35.14  | 1.03  |        |      |       |       |        |       | 50    | 1972  |        |      | 29.16 | 1.20  |        |       |       |      |        |       |        |       | 55     | 1792  | 26.50  | 1.57 |       |       |        |       |        |      |        |      | 62     | 1602  | 23.68  | 1.76 |        |       |        |      |        |      | 68    | 1442 | 21.32  | 1.96 |       |      |        |      |        |      | 76    | 1306 | 19.31  | 2.16 |       |      |        |      |       |      |        |      | 85    | 1158 | 17.12 | 2.4  |       |      |       |      |        |      | 94    | 1047 | 15.48  | 2.7  |        |      |        |      |       |      |        |      | 111   | 887  | 13.12  | 3.2  |        |      |       |      |        |      | 74    | 1332 | 19.70  | 1.06 | F 77  | 4    |       |      |        |      |        |      | 83   | 1183 | 17.49  | 1.19 |        |      |       |      |       |      |       |      | 93    | 1058 | 15.64 | 1.33 |       |      |       |      |       |      |       |      | 104   | 951  | 14.06 | 1.48 |       |      |       |      |       |      |       |      | 120   | 825  | 12.20 | 1.71 |       |      |       |      |       |      |       |      | 134   | 739  |      |      | 10.93 | 1.91 |       |      |       |      |       |      | 156   | 632  | 9.35  | 1.61 |       |      |       |      |       |      | 176   | 561  |       |      | 8.30  | 1.81 |       |      |       |      |       |      |       |      | 197   | 502  | 7.42  | 2.0  |       |      |       |      |       |      | 219   | 451  | 6.67  | 2.3  |       |      |       |      |       |      | 252   | 392  | 5.79  | 2.6  |       |      |       |      |       |      |      |      | 281   | 351  | 5.19  | 2.9  |       |      |       |      |       |      | 340   | 291  | 4.30  | 3.3  |       |      |       |      |       |      |       |      |       |      |       |      |       |      |       |      |       |      |       |      |       |      |       |      |       |      |       |      |       |      |       |      |       |      |       |      |       |      |       |      |       |      |       |      |       |      |       |      |       |      |       |      |       |      |       |      |       |      |       |      |       |      |       |      |       |      |       |      |       |      |       |      |       |      |       |      |       |      |       |      |       |      |       |      |       |      |       |      |       |      |       |      |       |      |       |      |      |      |       |      |       |      |       |      |       |      |       |      |       |      |      |      |       |      |       |      |       |      |       |      |       |      |       |      |       |      |       |      |     |      |       |      |       |      |       |      |       |      |    |      |       |      |       |      |       |      |       |      |    |      |       |      |       |      |       |      |       |      |    |      |       |      |       |      |       |      |       |      |      |      |       |      |       |      |       |      |       |      |      |      |       |      |       |      |       |      |       |      |      |      |       |      |       |      |      |      |       |      |       |      |       |      |       |      |       |      |      |      |       |      |       |      |      |      |       |      |       |      |       |      |       |      |       |      |       |      |       |      |       |      |      |      |       |      |       |      |       |      |       |      |       |      |       |      |       |      |       |      |       |      |       |      |       |      |       |      |       |      |       |      |       |      |       |      |       |      |       |      |       |      |       |      |       |      |       |      |       |      |       |      |       |      |       |      |       |      |       |      |      |      |      |      |       |      |       |      |      |      |      |      |      |      |      |      |      |      |      |      |      |     |      |     |      |      |      |      |      |     |      |     |      |     |      |     |      |     |      |     |      |     |      |     |      |     |      |     |      |     |      |     |      |     |      |     |      |     |      |     |      |     |      |     |      |     |      |     |      |     |  |  |     |     |      |     |      |     |  |  |  |  |  |  |  |  |  |  |
|               |            |          |                        |             |         | 48            | 2076       | 30.70    | 1.95                   |             |         |       |       |        |      |       |       | 53     | 1875  |        |       | 27.72  | 2.2  |       |       |        |       |       |       |        |       | 58    | 1703  | 25.18  | 2.4   |       |       |        |       |       |       |        |       | 65    | 1511  | 22.34  | 2.7   |        |       |        |       |        |       |        |       | 37     | 2655 | 39.25  | 0.96  | F 87   | 4     |        |       |        |       |        |       | 42     | 2377 | 35.14 | 1.03  |        |       |       |       |        |       |       |       | 50     | 1972  |        |       | 29.16  | 1.20  |        |      |       |       |        |       | 55    | 1792  |        |      | 26.50 | 1.57  |        |       |       |      |        |       |        |       | 62     | 1602  | 23.68  | 1.76 |       |       |        |       |        |      |        |      | 68     | 1442  | 21.32  | 1.96 |        |       |        |      |        |      | 76    | 1306 | 19.31  | 2.16 |       |      |        |      |        |      | 85    | 1158 | 17.12  | 2.4  |       |      |        |      |       |      |        |      | 94    | 1047 | 15.48 | 2.7  |       |      |       |      |        |      | 111   | 887  | 13.12  | 3.2  |        |      |        |      |       |      | 74     | 1332 | 19.70 | 1.06 | F 77   | 4    |        |      |       |      |        |      | 83    | 1183 | 17.49  | 1.19 |       |      |       |      |        |      |        |      | 93   | 1058 | 15.64  | 1.33 |        |      |       |      |       |      |       |      | 104   | 951  | 14.06 | 1.48 |       |      |       |      |       |      |       |      | 120   | 825  | 12.20 | 1.71 |       |      |       |      |       |      |       |      | 134   | 739  | 10.93 | 1.91 |       |      |       |      |       |      |       |      | 156   | 632  |      |      | 9.35  | 1.61 |       |      |       |      |       |      | 176   | 561  | 8.30  | 1.81 |       |      |       |      |       |      | 197   | 502  |       |      | 7.42  | 2.0  |       |      |       |      |       |      |       |      | 219   | 451  | 6.67  | 2.3  |       |      |       |      |       |      | 252   | 392  | 5.79  | 2.6  |       |      |       |      |       |      | 281   | 351  | 5.19  | 2.9  |       |      |       |      |       |      |      |      | 340   | 291  | 4.30  | 3.3  |       |      |       |      |       |      |       |      |       |      |       |      |       |      |       |      |       |      |       |      |       |      |       |      |       |      |       |      |       |      |       |      |       |      |       |      |       |      |       |      |       |      |       |      |       |      |       |      |       |      |       |      |       |      |       |      |       |      |       |      |       |      |       |      |       |      |       |      |       |      |       |      |       |      |       |      |       |      |       |      |       |      |       |      |       |      |       |      |       |      |       |      |       |      |       |      |       |      |       |      |       |      |       |      |       |      |      |      |       |      |       |      |       |      |       |      |       |      |       |      |      |      |       |      |       |      |       |      |       |      |       |      |       |      |       |      |       |      |     |      |       |      |       |      |       |      |       |      |    |      |       |      |       |      |       |      |       |      |    |      |       |      |       |      |       |      |       |      |    |      |       |      |       |      |       |      |       |      |      |      |       |      |       |      |       |      |       |      |      |      |       |      |       |      |       |      |       |      |      |      |       |      |       |      |      |      |       |      |       |      |       |      |       |      |       |      |      |      |       |      |       |      |      |      |       |      |       |      |       |      |       |      |       |      |       |      |       |      |       |      |      |      |       |      |       |      |       |      |       |      |       |      |       |      |       |      |       |      |       |      |       |      |       |      |       |      |       |      |       |      |       |      |       |      |       |      |       |      |       |      |       |      |       |      |       |      |       |      |       |      |       |      |       |      |       |      |       |      |      |      |      |      |       |      |       |      |      |      |      |      |      |      |      |      |      |      |      |      |      |     |      |     |      |      |      |      |      |     |      |     |      |     |      |     |      |     |      |     |      |     |      |     |      |     |      |     |      |     |      |     |      |     |      |     |      |     |      |     |      |     |      |     |      |     |      |     |      |     |  |  |     |     |      |     |      |     |  |  |  |  |  |  |  |  |  |  |
|               |            |          |                        |             |         | 53            | 1875       | 27.72    | 2.2                    |             |         |       |       |        |      |       |       | 58     | 1703  |        |       | 25.18  | 2.4  |       |       |        |       |       |       |        |       | 65    | 1511  | 22.34  | 2.7   |       |       |        |       |       |       |        |       | 37    | 2655  | 39.25  | 0.96  | F 87   | 4     |        |       |        |       |        |       | 42     | 2377 | 35.14  | 1.03  |        |       |        |       |        |       |        |       | 50     | 1972 | 29.16 | 1.20  |        |       |       |       |        |       |       |       | 55     | 1792  |        |       | 26.50  | 1.57  |        |      |       |       |        |       | 62    | 1602  |        |      | 23.68 | 1.76  |        |       |       |      |        |       |        |       | 68     | 1442  | 21.32  | 1.96 |       |       |        |       |        |      |        |      | 76     | 1306  | 19.31  | 2.16 |        |       |        |      |        |      | 85    | 1158 | 17.12  | 2.4  |       |      |        |      |        |      | 94    | 1047 | 15.48  | 2.7  |       |      |        |      |       |      |        |      | 111   | 887  | 13.12 | 3.2  |       |      |       |      |        |      | 74    | 1332 | 19.70  | 1.06 | F 77   | 4    |        |      |       |      |        |      | 83    | 1183 |        |      | 17.49  | 1.19 |       |      |        |      |       |      | 93     | 1058 |       |      | 15.64 | 1.33 |        |      |        |      |      |      | 104    | 951  |        |      | 14.06 | 1.48 |       |      |       |      |       |      | 120   | 825  |       |      | 12.20 | 1.71 |       |      |       |      |       |      | 134   | 739  |       |      | 10.93 | 1.91 |       |      |       |      |       |      | 156   | 632  |       |      | 9.35  | 1.61 |       |      |       |      |       |      |      |      | 176   | 561  | 8.30  | 1.81 |       |      |       |      |       |      | 197   | 502  | 7.42  | 2.0  |       |      |       |      |       |      |       |      | 219   | 451  | 6.67  | 2.3  |       |      |       |      |       |      | 252   | 392  | 5.79  | 2.6  |       |      |       |      |       |      | 281   | 351  | 5.19  | 2.9  |       |      |       |      |       |      | 340   | 291  | 4.30  | 3.3  |       |      |       |      |       |      |      |      |       |      |       |      |       |      |       |      |       |      |       |      |       |      |       |      |       |      |       |      |       |      |       |      |       |      |       |      |       |      |       |      |       |      |       |      |       |      |       |      |       |      |       |      |       |      |       |      |       |      |       |      |       |      |       |      |       |      |       |      |       |      |       |      |       |      |       |      |       |      |       |      |       |      |       |      |       |      |       |      |       |      |       |      |       |      |       |      |       |      |       |      |       |      |       |      |       |      |       |      |       |      |       |      |       |      |       |      |       |      |      |      |       |      |       |      |       |      |       |      |       |      |       |      |      |      |       |      |       |      |       |      |       |      |       |      |       |      |       |      |       |      |     |      |       |      |       |      |       |      |       |      |    |      |       |      |       |      |       |      |       |      |    |      |       |      |       |      |       |      |       |      |    |      |       |      |       |      |       |      |       |      |      |      |       |      |       |      |       |      |       |      |      |      |       |      |       |      |       |      |       |      |      |      |       |      |       |      |      |      |       |      |       |      |       |      |       |      |       |      |      |      |       |      |       |      |      |      |       |      |       |      |       |      |       |      |       |      |       |      |       |      |       |      |      |      |       |      |       |      |       |      |       |      |       |      |       |      |       |      |       |      |       |      |       |      |       |      |       |      |       |      |       |      |       |      |       |      |       |      |       |      |       |      |       |      |       |      |       |      |       |      |       |      |       |      |       |      |       |      |       |      |      |      |      |      |       |      |       |      |      |      |      |      |      |      |      |      |      |      |      |      |      |     |      |     |      |      |      |      |      |     |      |     |      |     |      |     |      |     |      |     |      |     |      |     |      |     |      |     |      |     |      |     |      |     |      |     |      |     |      |     |      |     |      |     |      |     |      |     |      |     |  |  |     |     |      |     |      |     |  |  |  |  |  |  |  |  |  |  |
|               |            |          |                        |             |         | 58            | 1703       | 25.18    | 2.4                    |             |         |       |       |        |      |       |       | 65     | 1511  |        |       | 22.34  | 2.7  |       |       |        |       |       |       |        |       | 37    | 2655  | 39.25  | 0.96  | F 87  | 4     |        |       |       |       |        |       | 42    | 2377  | 35.14  | 1.03  |        |       |        |       |        |       |        |       | 50     | 1972 | 29.16  | 1.20  |        |       |        |       |        |       |        |       | 55     | 1792 | 26.50 | 1.57  |        |       |       |       |        |       |       |       | 62     | 1602  |        |       | 23.68  | 1.76  |        |      |       |       |        |       | 68    | 1442  |        |      | 21.32 | 1.96  |        |       |       |      |        |       |        |       | 76     | 1306  | 19.31  | 2.16 |       |       |        |       |        |      |        |      | 85     | 1158  | 17.12  | 2.4  |        |       |        |      |        |      | 94    | 1047 | 15.48  | 2.7  |       |      |        |      |        |      | 111   | 887  | 13.12  | 3.2  |       |      |        |      |       |      | 74     | 1332 | 19.70 | 1.06 | F 77  | 4    |       |      |       |      |        |      | 83    | 1183 | 17.49  | 1.19 |        |      |        |      |       |      |        |      | 93    | 1058 |        |      | 15.64  | 1.33 |       |      |        |      |       |      | 104    | 951  |       |      | 14.06 | 1.48 |        |      |        |      |      |      | 120    | 825  |        |      | 12.20 | 1.71 |       |      |       |      |       |      | 134   | 739  |       |      | 10.93 | 1.91 |       |      |       |      |       |      | 156   | 632  |       |      | 9.35  | 1.61 |       |      |       |      |       |      | 176   | 561  |       |      | 8.30  | 1.81 |       |      |       |      |       |      |      |      | 197   | 502  | 7.42  | 2.0  |       |      |       |      |       |      | 219   | 451  | 6.67  | 2.3  |       |      |       |      |       |      |       |      | 252   | 392  | 5.79  | 2.6  |       |      |       |      |       |      | 281   | 351  | 5.19  | 2.9  |       |      |       |      |       |      | 340   | 291  | 4.30  | 3.3  |       |      |       |      |       |      |       |      |       |      |       |      |       |      |       |      |      |      |       |      |       |      |       |      |       |      |       |      |       |      |       |      |       |      |       |      |       |      |       |      |       |      |       |      |       |      |       |      |       |      |       |      |       |      |       |      |       |      |       |      |       |      |       |      |       |      |       |      |       |      |       |      |       |      |       |      |       |      |       |      |       |      |       |      |       |      |       |      |       |      |       |      |       |      |       |      |       |      |       |      |       |      |       |      |       |      |       |      |       |      |       |      |       |      |       |      |       |      |       |      |       |      |       |      |       |      |       |      |      |      |       |      |       |      |       |      |       |      |       |      |       |      |      |      |       |      |       |      |       |      |       |      |       |      |       |      |       |      |       |      |     |      |       |      |       |      |       |      |       |      |    |      |       |      |       |      |       |      |       |      |    |      |       |      |       |      |       |      |       |      |    |      |       |      |       |      |       |      |       |      |      |      |       |      |       |      |       |      |       |      |      |      |       |      |       |      |       |      |       |      |      |      |       |      |       |      |      |      |       |      |       |      |       |      |       |      |       |      |      |      |       |      |       |      |      |      |       |      |       |      |       |      |       |      |       |      |       |      |       |      |       |      |      |      |       |      |       |      |       |      |       |      |       |      |       |      |       |      |       |      |       |      |       |      |       |      |       |      |       |      |       |      |       |      |       |      |       |      |       |      |       |      |       |      |       |      |       |      |       |      |       |      |       |      |       |      |       |      |       |      |      |      |      |      |       |      |       |      |      |      |      |      |      |      |      |      |      |      |      |      |      |     |      |     |      |      |      |      |      |     |      |     |      |     |      |     |      |     |      |     |      |     |      |     |      |     |      |     |      |     |      |     |      |     |      |     |      |     |      |     |      |     |      |     |      |     |      |     |      |     |  |  |     |     |      |     |      |     |  |  |  |  |  |  |  |  |  |  |
|               |            |          |                        |             |         | 65            | 1511       | 22.34    | 2.7                    |             |         |       |       |        |      |       |       | 37     | 2655  |        |       | 39.25  | 0.96 | F 87  | 4     |        |       |       |       |        |       | 42    | 2377  | 35.14  | 1.03  |       |       |        |       |       |       |        |       | 50    | 1972  | 29.16  | 1.20  |        |       |        |       |        |       |        |       | 55     | 1792 | 26.50  | 1.57  |        |       |        |       |        |       |        |       | 62     | 1602 | 23.68 | 1.76  |        |       |       |       |        |       |       |       | 68     | 1442  |        |       | 21.32  | 1.96  |        |      |       |       |        |       | 76    | 1306  |        |      | 19.31 | 2.16  |        |       |       |      |        |       |        |       | 85     | 1158  | 17.12  | 2.4  |       |       |        |       |        |      |        |      | 94     | 1047  | 15.48  | 2.7  |        |       |        |      |        |      | 111   | 887  | 13.12  | 3.2  |       |      |        |      |        |      | 74    | 1332 | 19.70  | 1.06 | F 77  | 4    |        |      |       |      |        |      | 83    | 1183 |       |      | 17.49 | 1.19 |       |      |        |      |       |      | 93     | 1058 |        |      | 15.64  | 1.33 |       |      |        |      |       |      |        |      | 104    | 951  | 14.06 | 1.48 |        |      |       |      |        |      |       |      | 120   | 825  | 12.20  | 1.71 |        |      |      |      |        |      |        |      | 134   | 739  | 10.93 | 1.91 |       |      |       |      |       |      |       |      | 156   | 632  | 9.35  | 1.61 |       |      |       |      |       |      |       |      | 176   | 561  | 8.30  | 1.81 |       |      |       |      |       |      |       |      | 197   | 502  | 7.42  | 2.0  |       |      |       |      |      |      | 219   | 451  | 6.67  | 2.3  |       |      |       |      |       |      | 252   | 392  | 5.79  | 2.6  |       |      |       |      |       |      |       |      | 281   | 351  | 5.19  | 2.9  |       |      |       |      |       |      | 340   | 291  | 4.30  | 3.3  |       |      |       |      |       |      |       |      |       |      |       |      |       |      |       |      |       |      |       |      |       |      |       |      |       |      |      |      |       |      |       |      |       |      |       |      |       |      |       |      |       |      |       |      |       |      |       |      |       |      |       |      |       |      |       |      |       |      |       |      |       |      |       |      |       |      |       |      |       |      |       |      |       |      |       |      |       |      |       |      |       |      |       |      |       |      |       |      |       |      |       |      |       |      |       |      |       |      |       |      |       |      |       |      |       |      |       |      |       |      |       |      |       |      |       |      |       |      |       |      |       |      |       |      |       |      |       |      |       |      |       |      |       |      |       |      |       |      |      |      |       |      |       |      |       |      |       |      |       |      |       |      |      |      |       |      |       |      |       |      |       |      |       |      |       |      |       |      |       |      |     |      |       |      |       |      |       |      |       |      |    |      |       |      |       |      |       |      |       |      |    |      |       |      |       |      |       |      |       |      |    |      |       |      |       |      |       |      |       |      |      |      |       |      |       |      |       |      |       |      |      |      |       |      |       |      |       |      |       |      |      |      |       |      |       |      |      |      |       |      |       |      |       |      |       |      |       |      |      |      |       |      |       |      |      |      |       |      |       |      |       |      |       |      |       |      |       |      |       |      |       |      |      |      |       |      |       |      |       |      |       |      |       |      |       |      |       |      |       |      |       |      |       |      |       |      |       |      |       |      |       |      |       |      |       |      |       |      |       |      |       |      |       |      |       |      |       |      |       |      |       |      |       |      |       |      |       |      |       |      |      |      |      |      |       |      |       |      |      |      |      |      |      |      |      |      |      |      |      |      |      |     |      |     |      |      |      |      |      |     |      |     |      |     |      |     |      |     |      |     |      |     |      |     |      |     |      |     |      |     |      |     |      |     |      |     |      |     |      |     |      |     |      |     |      |     |      |     |      |     |  |  |     |     |      |     |      |     |  |  |  |  |  |  |  |  |  |  |
|               |            |          |                        |             |         | 37            | 2655       | 39.25    | 0.96                   |             |         | F 87  | 4     |        |      |       |       |        |       |        |       |        |      |       |       |        |       |       |       |        |       |       |       |        |       |       |       |        |       |       |       |        |       |       |       |        |       |        |       |        |       |        |       |        |       |        |      |        |       |        |       |        |       |        |       |        |       |        |      |       |       |        |       |       |       |        |       |       |       |        |       |        |       |        |       |        |      |       |       |        |       |       |       |        |      |       |       |        |       |       |      |        |       |        |       |        |       |        |      |       |       |        |       |        |      |        |      |        |       |        |      |        |       |        |      |        |      |       |      |        |      |       |      |        |      |        |      |       |      |        |      |       |      |        |      |       |      |        |      |       |      |       |      |       |      |       |      |        |      |       |      |        |      |        |      |        |      |       |      |        |      |       |      |        |      |        |      |       |      |        |      |       |      |        |      |       |      |       |      |        |      |        |      |      |      |        |      |        |      |       |      |       |      |       |      |       |      |       |      |       |      |       |      |       |      |       |      |       |      |       |      |       |      |       |      |       |      |       |      |       |      |       |      |       |      |       |      |       |      |       |      |       |      |      |      |       |      |       |      |       |      |       |      |       |      |       |      |       |      |       |      |       |      |       |      |       |      |       |      |       |      |       |      |       |      |       |      |       |      |       |      |       |      |       |      |       |      |       |      |       |      |       |      |       |      |       |      |       |      |       |      |       |      |       |      |       |      |      |      |       |      |       |      |       |      |       |      |       |      |       |      |       |      |       |      |       |      |       |      |       |      |       |      |       |      |       |      |       |      |       |      |       |      |       |      |       |      |       |      |       |      |       |      |       |      |       |      |       |      |       |      |       |      |       |      |       |      |       |      |       |      |       |      |       |      |       |      |       |      |       |      |       |      |       |      |       |      |       |      |       |      |       |      |       |      |       |      |       |      |       |      |       |      |       |      |       |      |       |      |       |      |       |      |       |      |       |      |       |      |      |      |       |      |       |      |       |      |       |      |       |      |       |      |      |      |       |      |       |      |       |      |       |      |       |      |       |      |       |      |       |      |     |      |       |      |       |      |       |      |       |      |    |      |       |      |       |      |       |      |       |      |    |      |       |      |       |      |       |      |       |      |    |      |       |      |       |      |       |      |       |      |      |      |       |      |       |      |       |      |       |      |      |      |       |      |       |      |       |      |       |      |      |      |       |      |       |      |      |      |       |      |       |      |       |      |       |      |       |      |      |      |       |      |       |      |      |      |       |      |       |      |       |      |       |      |       |      |       |      |       |      |       |      |      |      |       |      |       |      |       |      |       |      |       |      |       |      |       |      |       |      |       |      |       |      |       |      |       |      |       |      |       |      |       |      |       |      |       |      |       |      |       |      |       |      |       |      |       |      |       |      |       |      |       |      |       |      |       |      |       |      |      |      |      |      |       |      |       |      |      |      |      |      |      |      |      |      |      |      |      |      |      |     |      |     |      |      |      |      |      |     |      |     |      |     |      |     |      |     |      |     |      |     |      |     |      |     |      |     |      |     |      |     |      |     |      |     |      |     |      |     |      |     |      |     |      |     |      |     |      |     |  |  |     |     |      |     |      |     |  |  |  |  |  |  |  |  |  |  |
|               |            |          |                        |             |         | 42            | 2377       | 35.14    | 1.03                   |             |         |       |       |        |      |       |       |        |       |        |       | 50     | 1972 |       |       | 29.16  | 1.20  |       |       |        |       |       |       | 55     | 1792  |       |       | 26.50  | 1.57  |       |       |        |       |       |       | 62     | 1602  |        |       | 23.68  | 1.76  |        |       |        |       |        |      | 68     | 1442  |        |       | 21.32  | 1.96  |        |       |        |       |        |      | 76    | 1306  |        |       | 19.31 | 2.16  |        |       |       |       |        |       |        |       | 85     | 1158  | 17.12  | 2.4  |       |       |        |       |       |       |        |      | 94    | 1047  | 15.48  | 2.7   |       |      |        |       |        |       | 111    | 887   | 13.12  | 3.2  |       |       |        |       |        |      | 74     | 1332 | 19.70  | 1.06  | F 77   | 4    |        |       |        |      |        |      | 83    | 1183 | 17.49  | 1.19 |       |      |        |      |        |      | 93    | 1058 | 15.64  | 1.33 |       |      |        |      |       |      |        |      | 104   | 951  |       |      | 14.06 | 1.48 |       |      |        |      |       |      | 120    | 825  |        |      | 12.20  | 1.71 |       |      |        |      |       |      |        |      | 134    | 739  | 10.93 | 1.91 |        |      |       |      |        |      |       |      | 156   | 632  | 9.35   | 1.61 |        |      |      |      |        |      |        |      | 176   | 561  | 8.30  | 1.81 |       |      |       |      |       |      |       |      | 197   | 502  | 7.42  | 2.0  |       |      |       |      |       |      |       |      | 219   | 451  | 6.67  | 2.3  |       |      |       |      |       |      |       |      | 252   | 392  | 5.79  | 2.6  |       |      |       |      |      |      | 281   | 351  | 5.19  | 2.9  |       |      |       |      |       |      | 340   | 291  | 4.30  | 3.3  |       |      |       |      |       |      |       |      |       |      |       |      |       |      |       |      |       |      |       |      |       |      |       |      |       |      |       |      |       |      |       |      |       |      |       |      |       |      |       |      |       |      |       |      |       |      |       |      |      |      |       |      |       |      |       |      |       |      |       |      |       |      |       |      |       |      |       |      |       |      |       |      |       |      |       |      |       |      |       |      |       |      |       |      |       |      |       |      |       |      |       |      |       |      |       |      |       |      |       |      |       |      |       |      |       |      |       |      |       |      |       |      |       |      |       |      |       |      |       |      |       |      |       |      |       |      |       |      |       |      |       |      |       |      |       |      |       |      |       |      |       |      |       |      |       |      |       |      |       |      |       |      |       |      |       |      |       |      |       |      |      |      |       |      |       |      |       |      |       |      |       |      |       |      |      |      |       |      |       |      |       |      |       |      |       |      |       |      |       |      |       |      |     |      |       |      |       |      |       |      |       |      |    |      |       |      |       |      |       |      |       |      |    |      |       |      |       |      |       |      |       |      |    |      |       |      |       |      |       |      |       |      |      |      |       |      |       |      |       |      |       |      |      |      |       |      |       |      |       |      |       |      |      |      |       |      |       |      |      |      |       |      |       |      |       |      |       |      |       |      |      |      |       |      |       |      |      |      |       |      |       |      |       |      |       |      |       |      |       |      |       |      |       |      |      |      |       |      |       |      |       |      |       |      |       |      |       |      |       |      |       |      |       |      |       |      |       |      |       |      |       |      |       |      |       |      |       |      |       |      |       |      |       |      |       |      |       |      |       |      |       |      |       |      |       |      |       |      |       |      |       |      |      |      |      |      |       |      |       |      |      |      |      |      |      |      |      |      |      |      |      |      |      |     |      |     |      |      |      |      |      |     |      |     |      |     |      |     |      |     |      |     |      |     |      |     |      |     |      |     |      |     |      |     |      |     |      |     |      |     |      |     |      |     |      |     |      |     |      |     |      |     |  |  |     |     |      |     |      |     |  |  |  |  |  |  |  |  |  |  |
|               |            |          |                        |             |         | 50            | 1972       | 29.16    | 1.20                   |             |         |       |       |        |      |       |       |        |       | 55     | 1792  | 26.50  | 1.57 |       |       |        |       |       |       |        |       | 62    | 1602  | 23.68  | 1.76  |       |       |        |       |       |       |        |       | 68    | 1442  | 21.32  | 1.96  |        |       |        |       |        |       |        |       | 76     | 1306 | 19.31  | 2.16  |        |       |        |       |        |       |        |       | 85     | 1158 | 17.12 | 2.4   |        |       |       |       |        |       |       |       | 94     | 1047  |        |       | 15.48  | 2.7   |        |      |       |       |        |       | 111   | 887   |        |      | 13.12 | 3.2   |        |       |       |      |        |       | 74     | 1332  | 19.70  | 1.06  | F 77   | 4    |       |       |        |       |        |      | 83     | 1183 | 17.49  | 1.19  |        |      |        |       |        |      |        |      | 93    | 1058 | 15.64  | 1.33 |       |      |        |      |        |      | 104   | 951  | 14.06  | 1.48 |       |      |        |      |       |      |        |      | 120   | 825  |       |      | 12.20 | 1.71 |       |      |        |      |       |      | 134    | 739  |        |      | 10.93  | 1.91 |       |      |        |      |       |      |        |      | 156    | 632  | 9.35  | 1.61 |        |      |       |      |        |      |       |      | 176   | 561  | 8.30   | 1.81 |        |      |      |      |        |      |        |      | 197   | 502  | 7.42  | 2.0  |       |      |       |      |       |      |       |      | 219   | 451  | 6.67  | 2.3  |       |      |       |      |       |      |       |      | 252   | 392  | 5.79  | 2.6  |       |      |       |      |       |      |       |      | 281   | 351  | 5.19  | 2.9  |       |      |       |      |      |      | 340   | 291  | 4.30  | 3.3  |       |      |       |      |       |      |       |      |       |      |       |      |       |      |       |      |       |      |       |      |       |      |       |      |       |      |       |      |       |      |       |      |       |      |       |      |       |      |       |      |       |      |       |      |       |      |       |      |       |      |       |      |       |      |       |      |       |      |      |      |       |      |       |      |       |      |       |      |       |      |       |      |       |      |       |      |       |      |       |      |       |      |       |      |       |      |       |      |       |      |       |      |       |      |       |      |       |      |       |      |       |      |       |      |       |      |       |      |       |      |       |      |       |      |       |      |       |      |       |      |       |      |       |      |       |      |       |      |       |      |       |      |       |      |       |      |       |      |       |      |       |      |       |      |       |      |       |      |       |      |       |      |       |      |       |      |       |      |       |      |       |      |       |      |       |      |       |      |       |      |      |      |       |      |       |      |       |      |       |      |       |      |       |      |      |      |       |      |       |      |       |      |       |      |       |      |       |      |       |      |       |      |     |      |       |      |       |      |       |      |       |      |    |      |       |      |       |      |       |      |       |      |    |      |       |      |       |      |       |      |       |      |    |      |       |      |       |      |       |      |       |      |      |      |       |      |       |      |       |      |       |      |      |      |       |      |       |      |       |      |       |      |      |      |       |      |       |      |      |      |       |      |       |      |       |      |       |      |       |      |      |      |       |      |       |      |      |      |       |      |       |      |       |      |       |      |       |      |       |      |       |      |       |      |      |      |       |      |       |      |       |      |       |      |       |      |       |      |       |      |       |      |       |      |       |      |       |      |       |      |       |      |       |      |       |      |       |      |       |      |       |      |       |      |       |      |       |      |       |      |       |      |       |      |       |      |       |      |       |      |       |      |      |      |      |      |       |      |       |      |      |      |      |      |      |      |      |      |      |      |      |      |      |     |      |     |      |      |      |      |      |     |      |     |      |     |      |     |      |     |      |     |      |     |      |     |      |     |      |     |      |     |      |     |      |     |      |     |      |     |      |     |      |     |      |     |      |     |      |     |      |     |  |  |     |     |      |     |      |     |  |  |  |  |  |  |  |  |  |  |
|               |            |          |                        |             |         | 55            | 1792       | 26.50    | 1.57                   |             |         |       |       |        |      | 62    | 1602  | 23.68  | 1.76  |        |       |        |      |       |       | 68     | 1442  | 21.32 | 1.96  |        |       |       |       |        |       |       |       | 76     | 1306  | 19.31 | 2.16  |        |       |       |       |        |       |        |       | 85     | 1158  | 17.12  | 2.4   |        |       |        |      |        |       |        |       | 94     | 1047  | 15.48  | 2.7   |        |       |        |      |       |       |        |       | 111   | 887   | 13.12  | 3.2   |       |       |        |       |        |       | 74     | 1332  | 19.70  | 1.06 | F 77  | 4     |        |       |       |       |        |      | 83    | 1183  | 17.49  | 1.19  |       |      |        |       |        |       | 93     | 1058  |        |      | 15.64 | 1.33  |        |       |        |      |        |      | 104    | 951   |        |      | 14.06  | 1.48  |        |      |        |      |       |      | 120    | 825  | 12.20 | 1.71 |        |      |        |      |       |      | 134    | 739  |       |      | 10.93  | 1.91 |       |      |        |      |       |      |       |      | 156   | 632  | 9.35  | 1.61 |        |      |       |      |        |      |        |      | 176    | 561  | 8.30  | 1.81 |        |      |       |      |        |      | 197    | 502  | 7.42  | 2.0  |        |      |       |      |        |      |       |      | 219   | 451  | 6.67   | 2.3  |        |      |      |      |        |      |        |      | 252   | 392  | 5.79  | 2.6  |       |      |       |      |       |      |       |      | 281   | 351  | 5.19  | 2.9  |       |      |       |      |       |      |       |      | 340   | 291  | 4.30  | 3.3  |       |      |       |      |       |      |       |      |       |      |       |      |       |      |       |      |      |      |       |      |       |      |       |      |       |      |       |      |       |      |       |      |       |      |       |      |       |      |       |      |       |      |       |      |       |      |       |      |       |      |       |      |       |      |       |      |       |      |       |      |       |      |       |      |       |      |       |      |       |      |       |      |       |      |       |      |       |      |       |      |      |      |       |      |       |      |       |      |       |      |       |      |       |      |       |      |       |      |       |      |       |      |       |      |       |      |       |      |       |      |       |      |       |      |       |      |       |      |       |      |       |      |       |      |       |      |       |      |       |      |       |      |       |      |       |      |       |      |       |      |       |      |       |      |       |      |       |      |       |      |       |      |       |      |       |      |       |      |       |      |       |      |       |      |       |      |       |      |       |      |       |      |       |      |       |      |       |      |       |      |       |      |       |      |       |      |       |      |       |      |       |      |      |      |       |      |       |      |       |      |       |      |       |      |       |      |      |      |       |      |       |      |       |      |       |      |       |      |       |      |       |      |       |      |     |      |       |      |       |      |       |      |       |      |    |      |       |      |       |      |       |      |       |      |    |      |       |      |       |      |       |      |       |      |    |      |       |      |       |      |       |      |       |      |      |      |       |      |       |      |       |      |       |      |      |      |       |      |       |      |       |      |       |      |      |      |       |      |       |      |      |      |       |      |       |      |       |      |       |      |       |      |      |      |       |      |       |      |      |      |       |      |       |      |       |      |       |      |       |      |       |      |       |      |       |      |      |      |       |      |       |      |       |      |       |      |       |      |       |      |       |      |       |      |       |      |       |      |       |      |       |      |       |      |       |      |       |      |       |      |       |      |       |      |       |      |       |      |       |      |       |      |       |      |       |      |       |      |       |      |       |      |       |      |      |      |      |      |       |      |       |      |      |      |      |      |      |      |      |      |      |      |      |      |      |     |      |     |      |      |      |      |      |     |      |     |      |     |      |     |      |     |      |     |      |     |      |     |      |     |      |     |      |     |      |     |      |     |      |     |      |     |      |     |      |     |      |     |      |     |      |     |      |     |  |  |     |     |      |     |      |     |  |  |  |  |  |  |  |  |  |  |
|               |            |          |                        |             |         | 62            | 1602       | 23.68    | 1.76                   |             |         |       |       |        |      | 68    | 1442  | 21.32  | 1.96  |        |       |        |      |       |       | 76     | 1306  | 19.31 | 2.16  |        |       |       |       |        |       |       |       | 85     | 1158  | 17.12 | 2.4   |        |       |       |       |        |       |        |       | 94     | 1047  | 15.48  | 2.7   |        |       |        |      |        |       |        |       | 111    | 887   | 13.12  | 3.2   |        |       |        |      |       |       |        |       | 74    | 1332  | 19.70  | 1.06  | F 77  | 4     |        |       |        |       |        |       | 83     | 1183 |       |       | 17.49  | 1.19  |       |       |        |      |       |       | 93     | 1058  | 15.64 | 1.33 |        |       |        |       |        |       |        |      | 104   | 951   | 14.06  | 1.48  |        |      |        |      |        |       |        |      | 120    | 825   | 12.20  | 1.71 |        |      |       |      |        |      | 134   | 739  | 10.93  | 1.91 |        |      |       |      |        |      |       |      | 156    | 632  | 9.35  | 1.61 |        |      |       |      |       |      | 176   | 561  | 8.30  | 1.81 |        |      |       |      |        |      |        |      | 197    | 502  | 7.42  | 2.0  |        |      |       |      |        |      | 219    | 451  | 6.67  | 2.3  |        |      |       |      |        |      |       |      | 252   | 392  | 5.79   | 2.6  |        |      |      |      |        |      |        |      | 281   | 351  | 5.19  | 2.9  |       |      |       |      |       |      |       |      | 340   | 291  | 4.30  | 3.3  |       |      |       |      |       |      |       |      |       |      |       |      |       |      |       |      |       |      |       |      |       |      |       |      |       |      |       |      |      |      |       |      |       |      |       |      |       |      |       |      |       |      |       |      |       |      |       |      |       |      |       |      |       |      |       |      |       |      |       |      |       |      |       |      |       |      |       |      |       |      |       |      |       |      |       |      |       |      |       |      |       |      |       |      |       |      |       |      |       |      |       |      |      |      |       |      |       |      |       |      |       |      |       |      |       |      |       |      |       |      |       |      |       |      |       |      |       |      |       |      |       |      |       |      |       |      |       |      |       |      |       |      |       |      |       |      |       |      |       |      |       |      |       |      |       |      |       |      |       |      |       |      |       |      |       |      |       |      |       |      |       |      |       |      |       |      |       |      |       |      |       |      |       |      |       |      |       |      |       |      |       |      |       |      |       |      |       |      |       |      |       |      |       |      |       |      |       |      |       |      |       |      |       |      |      |      |       |      |       |      |       |      |       |      |       |      |       |      |      |      |       |      |       |      |       |      |       |      |       |      |       |      |       |      |       |      |     |      |       |      |       |      |       |      |       |      |    |      |       |      |       |      |       |      |       |      |    |      |       |      |       |      |       |      |       |      |    |      |       |      |       |      |       |      |       |      |      |      |       |      |       |      |       |      |       |      |      |      |       |      |       |      |       |      |       |      |      |      |       |      |       |      |      |      |       |      |       |      |       |      |       |      |       |      |      |      |       |      |       |      |      |      |       |      |       |      |       |      |       |      |       |      |       |      |       |      |       |      |      |      |       |      |       |      |       |      |       |      |       |      |       |      |       |      |       |      |       |      |       |      |       |      |       |      |       |      |       |      |       |      |       |      |       |      |       |      |       |      |       |      |       |      |       |      |       |      |       |      |       |      |       |      |       |      |       |      |      |      |      |      |       |      |       |      |      |      |      |      |      |      |      |      |      |      |      |      |      |     |      |     |      |      |      |      |      |     |      |     |      |     |      |     |      |     |      |     |      |     |      |     |      |     |      |     |      |     |      |     |      |     |      |     |      |     |      |     |      |     |      |     |      |     |      |     |      |     |  |  |     |     |      |     |      |     |  |  |  |  |  |  |  |  |  |  |
|               |            |          |                        |             |         | 68            | 1442       | 21.32    | 1.96                   |             |         |       |       |        |      | 76    | 1306  | 19.31  | 2.16  |        |       |        |      |       |       | 85     | 1158  | 17.12 | 2.4   |        |       |       |       |        |       |       |       | 94     | 1047  | 15.48 | 2.7   |        |       |       |       |        |       |        |       | 111    | 887   | 13.12  | 3.2   |        |       |        |      |        |       |        |       | 74     | 1332  | 19.70  | 1.06  | F 77   | 4     |        |      |       |       |        |       | 83    | 1183  | 17.49  | 1.19  |       |       |        |       |        |       |        |       | 93     | 1058 |       |       | 15.64  | 1.33  |       |       |        |      |       |       | 104    | 951   | 14.06 | 1.48 |        |       |        |       |        |       |        |      | 120   | 825   | 12.20  | 1.71  |        |      |        |      |        |       |        |      | 134    | 739   | 10.93  | 1.91 |        |      |       |      |        |      | 156   | 632  | 9.35   | 1.61 |        |      |       |      |        |      |       |      | 176    | 561  | 8.30  | 1.81 |        |      |       |      |       |      | 197   | 502  | 7.42  | 2.0  |        |      |       |      |        |      |        |      | 219    | 451  | 6.67  | 2.3  |        |      |       |      |        |      | 252    | 392  | 5.79  | 2.6  |        |      |       |      |        |      |       |      | 281   | 351  | 5.19   | 2.9  |        |      |      |      |        |      |        |      | 340   | 291  | 4.30  | 3.3  |       |      |       |      |       |      |       |      |       |      |       |      |       |      |       |      |       |      |       |      |       |      |       |      |       |      |       |      |       |      |       |      |       |      |       |      |       |      |       |      |      |      |       |      |       |      |       |      |       |      |       |      |       |      |       |      |       |      |       |      |       |      |       |      |       |      |       |      |       |      |       |      |       |      |       |      |       |      |       |      |       |      |       |      |       |      |       |      |       |      |       |      |       |      |       |      |       |      |       |      |       |      |       |      |      |      |       |      |       |      |       |      |       |      |       |      |       |      |       |      |       |      |       |      |       |      |       |      |       |      |       |      |       |      |       |      |       |      |       |      |       |      |       |      |       |      |       |      |       |      |       |      |       |      |       |      |       |      |       |      |       |      |       |      |       |      |       |      |       |      |       |      |       |      |       |      |       |      |       |      |       |      |       |      |       |      |       |      |       |      |       |      |       |      |       |      |       |      |       |      |       |      |       |      |       |      |       |      |       |      |       |      |       |      |       |      |      |      |       |      |       |      |       |      |       |      |       |      |       |      |      |      |       |      |       |      |       |      |       |      |       |      |       |      |       |      |       |      |     |      |       |      |       |      |       |      |       |      |    |      |       |      |       |      |       |      |       |      |    |      |       |      |       |      |       |      |       |      |    |      |       |      |       |      |       |      |       |      |      |      |       |      |       |      |       |      |       |      |      |      |       |      |       |      |       |      |       |      |      |      |       |      |       |      |      |      |       |      |       |      |       |      |       |      |       |      |      |      |       |      |       |      |      |      |       |      |       |      |       |      |       |      |       |      |       |      |       |      |       |      |      |      |       |      |       |      |       |      |       |      |       |      |       |      |       |      |       |      |       |      |       |      |       |      |       |      |       |      |       |      |       |      |       |      |       |      |       |      |       |      |       |      |       |      |       |      |       |      |       |      |       |      |       |      |       |      |       |      |      |      |      |      |       |      |       |      |      |      |      |      |      |      |      |      |      |      |      |      |      |     |      |     |      |      |      |      |      |     |      |     |      |     |      |     |      |     |      |     |      |     |      |     |      |     |      |     |      |     |      |     |      |     |      |     |      |     |      |     |      |     |      |     |      |     |      |     |      |     |  |  |     |     |      |     |      |     |  |  |  |  |  |  |  |  |  |  |
|               |            |          |                        |             |         | 76            | 1306       | 19.31    | 2.16                   |             |         |       |       |        |      | 85    | 1158  | 17.12  | 2.4   |        |       |        |      |       |       | 94     | 1047  | 15.48 | 2.7   |        |       |       |       |        |       |       |       | 111    | 887   | 13.12 | 3.2   |        |       |       |       |        |       |        |       | 74     | 1332  | 19.70  | 1.06  | F 77   | 4     |        |      |        |       |        |       | 83     | 1183  | 17.49  | 1.19  |        |       |        |      |       |       |        |       | 93    | 1058  | 15.64  | 1.33  |       |       |        |       |        |       |        |       | 104    | 951  |       |       | 14.06  | 1.48  |       |       |        |      |       |       | 120    | 825   | 12.20 | 1.71 |        |       |        |       |        |       |        |      | 134   | 739   | 10.93  | 1.91  |        |      |        |      |        |       |        |      | 156    | 632   | 9.35   | 1.61 |        |      |       |      |        |      | 176   | 561  | 8.30   | 1.81 |        |      |       |      |        |      |       |      | 197    | 502  | 7.42  | 2.0  |        |      |       |      |       |      | 219   | 451  | 6.67  | 2.3  |        |      |       |      |        |      |        |      | 252    | 392  | 5.79  | 2.6  |        |      |       |      |        |      | 281    | 351  | 5.19  | 2.9  |        |      |       |      |        |      |       |      | 340   | 291  | 4.30   | 3.3  |        |      |      |      |        |      |        |      |       |      |       |      |       |      |       |      |       |      |       |      |       |      |       |      |       |      |       |      |       |      |       |      |       |      |       |      |       |      |       |      |       |      |       |      |       |      |       |      |       |      |       |      |      |      |       |      |       |      |       |      |       |      |       |      |       |      |       |      |       |      |       |      |       |      |       |      |       |      |       |      |       |      |       |      |       |      |       |      |       |      |       |      |       |      |       |      |       |      |       |      |       |      |       |      |       |      |       |      |       |      |       |      |       |      |       |      |      |      |       |      |       |      |       |      |       |      |       |      |       |      |       |      |       |      |       |      |       |      |       |      |       |      |       |      |       |      |       |      |       |      |       |      |       |      |       |      |       |      |       |      |       |      |       |      |       |      |       |      |       |      |       |      |       |      |       |      |       |      |       |      |       |      |       |      |       |      |       |      |       |      |       |      |       |      |       |      |       |      |       |      |       |      |       |      |       |      |       |      |       |      |       |      |       |      |       |      |       |      |       |      |       |      |       |      |       |      |       |      |      |      |       |      |       |      |       |      |       |      |       |      |       |      |      |      |       |      |       |      |       |      |       |      |       |      |       |      |       |      |       |      |     |      |       |      |       |      |       |      |       |      |    |      |       |      |       |      |       |      |       |      |    |      |       |      |       |      |       |      |       |      |    |      |       |      |       |      |       |      |       |      |      |      |       |      |       |      |       |      |       |      |      |      |       |      |       |      |       |      |       |      |      |      |       |      |       |      |      |      |       |      |       |      |       |      |       |      |       |      |      |      |       |      |       |      |      |      |       |      |       |      |       |      |       |      |       |      |       |      |       |      |       |      |      |      |       |      |       |      |       |      |       |      |       |      |       |      |       |      |       |      |       |      |       |      |       |      |       |      |       |      |       |      |       |      |       |      |       |      |       |      |       |      |       |      |       |      |       |      |       |      |       |      |       |      |       |      |       |      |       |      |      |      |      |      |       |      |       |      |      |      |      |      |      |      |      |      |      |      |      |      |      |     |      |     |      |      |      |      |      |     |      |     |      |     |      |     |      |     |      |     |      |     |      |     |      |     |      |     |      |     |      |     |      |     |      |     |      |     |      |     |      |     |      |     |      |     |      |     |      |     |  |  |     |     |      |     |      |     |  |  |  |  |  |  |  |  |  |  |
|               |            |          |                        |             |         | 85            | 1158       | 17.12    | 2.4                    |             |         |       |       |        |      | 94    | 1047  | 15.48  | 2.7   |        |       |        |      |       |       | 111    | 887   | 13.12 | 3.2   |        |       |       |       |        |       |       |       | 74     | 1332  | 19.70 | 1.06  | F 77   | 4     |       |       |        |       |        |       | 83     | 1183  | 17.49  | 1.19  |        |       |        |      |        |       |        |       | 93     | 1058  | 15.64  | 1.33  |        |       |        |      |       |       |        |       | 104   | 951   | 14.06  | 1.48  |       |       |        |       |        |       |        |       | 120    | 825  |       |       | 12.20  | 1.71  |       |       |        |      |       |       | 134    | 739   | 10.93 | 1.91 |        |       |        |       |        |       |        |      | 156   | 632   | 9.35   | 1.61  |        |      |        |      |        |       |        |      | 176    | 561   | 8.30   | 1.81 |        |      |       |      |        |      | 197   | 502  | 7.42   | 2.0  |        |      |       |      |        |      |       |      | 219    | 451  | 6.67  | 2.3  |        |      |       |      |       |      | 252   | 392  | 5.79  | 2.6  |        |      |       |      |        |      |        |      | 281    | 351  | 5.19  | 2.9  |        |      |       |      |        |      | 340    | 291  | 4.30  | 3.3  |        |      |       |      |        |      |       |      |       |      |        |      |        |      |      |      |        |      |        |      |       |      |       |      |       |      |       |      |       |      |       |      |       |      |       |      |       |      |       |      |       |      |       |      |       |      |       |      |       |      |       |      |       |      |       |      |       |      |       |      |       |      |       |      |      |      |       |      |       |      |       |      |       |      |       |      |       |      |       |      |       |      |       |      |       |      |       |      |       |      |       |      |       |      |       |      |       |      |       |      |       |      |       |      |       |      |       |      |       |      |       |      |       |      |       |      |       |      |       |      |       |      |       |      |       |      |       |      |      |      |       |      |       |      |       |      |       |      |       |      |       |      |       |      |       |      |       |      |       |      |       |      |       |      |       |      |       |      |       |      |       |      |       |      |       |      |       |      |       |      |       |      |       |      |       |      |       |      |       |      |       |      |       |      |       |      |       |      |       |      |       |      |       |      |       |      |       |      |       |      |       |      |       |      |       |      |       |      |       |      |       |      |       |      |       |      |       |      |       |      |       |      |       |      |       |      |       |      |       |      |       |      |       |      |       |      |       |      |       |      |      |      |       |      |       |      |       |      |       |      |       |      |       |      |      |      |       |      |       |      |       |      |       |      |       |      |       |      |       |      |       |      |     |      |       |      |       |      |       |      |       |      |    |      |       |      |       |      |       |      |       |      |    |      |       |      |       |      |       |      |       |      |    |      |       |      |       |      |       |      |       |      |      |      |       |      |       |      |       |      |       |      |      |      |       |      |       |      |       |      |       |      |      |      |       |      |       |      |      |      |       |      |       |      |       |      |       |      |       |      |      |      |       |      |       |      |      |      |       |      |       |      |       |      |       |      |       |      |       |      |       |      |       |      |      |      |       |      |       |      |       |      |       |      |       |      |       |      |       |      |       |      |       |      |       |      |       |      |       |      |       |      |       |      |       |      |       |      |       |      |       |      |       |      |       |      |       |      |       |      |       |      |       |      |       |      |       |      |       |      |       |      |      |      |      |      |       |      |       |      |      |      |      |      |      |      |      |      |      |      |      |      |      |     |      |     |      |      |      |      |      |     |      |     |      |     |      |     |      |     |      |     |      |     |      |     |      |     |      |     |      |     |      |     |      |     |      |     |      |     |      |     |      |     |      |     |      |     |      |     |      |     |  |  |     |     |      |     |      |     |  |  |  |  |  |  |  |  |  |  |
|               |            |          |                        |             |         | 94            | 1047       | 15.48    | 2.7                    |             |         |       |       |        |      | 111   | 887   | 13.12  | 3.2   |        |       |        |      |       |       | 74     | 1332  | 19.70 | 1.06  | F 77   | 4     |       |       |        |       |       |       | 83     | 1183  | 17.49 | 1.19  |        |       |       |       |        |       |        |       | 93     | 1058  | 15.64  | 1.33  |        |       |        |      |        |       |        |       | 104    | 951   | 14.06  | 1.48  |        |       |        |      |       |       |        |       | 120   | 825   | 12.20  | 1.71  |       |       |        |       |        |       |        |       | 134    | 739  |       |       | 10.93  | 1.91  |       |       |        |      |       |       | 156    | 632   | 9.35  | 1.61 |        |       |        |       |        |       |        |      | 176   | 561   | 8.30   | 1.81  |        |      |        |      |        |       |        |      | 197    | 502   | 7.42   | 2.0  |        |      |       |      |        |      | 219   | 451  | 6.67   | 2.3  |        |      |       |      |        |      |       |      | 252    | 392  | 5.79  | 2.6  |        |      |       |      |       |      | 281   | 351  | 5.19  | 2.9  |        |      |       |      |        |      |        |      | 340    | 291  | 4.30  | 3.3  |        |      |       |      |        |      |        |      |       |      |        |      |       |      |        |      |       |      |       |      |        |      |        |      |      |      |        |      |        |      |       |      |       |      |       |      |       |      |       |      |       |      |       |      |       |      |       |      |       |      |       |      |       |      |       |      |       |      |       |      |       |      |       |      |       |      |       |      |       |      |       |      |       |      |      |      |       |      |       |      |       |      |       |      |       |      |       |      |       |      |       |      |       |      |       |      |       |      |       |      |       |      |       |      |       |      |       |      |       |      |       |      |       |      |       |      |       |      |       |      |       |      |       |      |       |      |       |      |       |      |       |      |       |      |       |      |       |      |      |      |       |      |       |      |       |      |       |      |       |      |       |      |       |      |       |      |       |      |       |      |       |      |       |      |       |      |       |      |       |      |       |      |       |      |       |      |       |      |       |      |       |      |       |      |       |      |       |      |       |      |       |      |       |      |       |      |       |      |       |      |       |      |       |      |       |      |       |      |       |      |       |      |       |      |       |      |       |      |       |      |       |      |       |      |       |      |       |      |       |      |       |      |       |      |       |      |       |      |       |      |       |      |       |      |       |      |       |      |       |      |      |      |       |      |       |      |       |      |       |      |       |      |       |      |      |      |       |      |       |      |       |      |       |      |       |      |       |      |       |      |       |      |     |      |       |      |       |      |       |      |       |      |    |      |       |      |       |      |       |      |       |      |    |      |       |      |       |      |       |      |       |      |    |      |       |      |       |      |       |      |       |      |      |      |       |      |       |      |       |      |       |      |      |      |       |      |       |      |       |      |       |      |      |      |       |      |       |      |      |      |       |      |       |      |       |      |       |      |       |      |      |      |       |      |       |      |      |      |       |      |       |      |       |      |       |      |       |      |       |      |       |      |       |      |      |      |       |      |       |      |       |      |       |      |       |      |       |      |       |      |       |      |       |      |       |      |       |      |       |      |       |      |       |      |       |      |       |      |       |      |       |      |       |      |       |      |       |      |       |      |       |      |       |      |       |      |       |      |       |      |       |      |      |      |      |      |       |      |       |      |      |      |      |      |      |      |      |      |      |      |      |      |      |     |      |     |      |      |      |      |      |     |      |     |      |     |      |     |      |     |      |     |      |     |      |     |      |     |      |     |      |     |      |     |      |     |      |     |      |     |      |     |      |     |      |     |      |     |      |     |      |     |  |  |     |     |      |     |      |     |  |  |  |  |  |  |  |  |  |  |
|               |            |          |                        |             |         | 111           | 887        | 13.12    | 3.2                    |             |         |       |       |        |      | 74    | 1332  | 19.70  | 1.06  | F 77   | 4     |        |      |       |       |        |       | 83    | 1183  |        |       | 17.49 | 1.19  |        |       |       |       |        |       | 93    | 1058  |        |       | 15.64 | 1.33  |        |       |        |       |        |       | 104    | 951   |        |       | 14.06  | 1.48 |        |       |        |       |        |       | 120    | 825   |        |       | 12.20  | 1.71 |       |       |        |       |       |       | 134    | 739   |       |       | 10.93  | 1.91  |        |       |        |       |        |      |       |       | 156    | 632   | 9.35  | 1.61  |        |      |       |       |        |       | 176   | 561  | 8.30   | 1.81  |        |       |        |       |        |      | 197   | 502   | 7.42   | 2.0   |        |      |        |      |        |       |        |      | 219    | 451   | 6.67   | 2.3  |        |      |       |      |        |      | 252   | 392  | 5.79   | 2.6  |        |      |       |      |        |      |       |      | 281    | 351  | 5.19  | 2.9  |        |      |       |      |       |      | 340   | 291  | 4.30  | 3.3  |        |      |       |      |        |      |        |      |        |      |       |      |        |      |       |      |        |      |        |      |       |      |        |      |       |      |        |      |       |      |       |      |        |      |        |      |      |      |        |      |        |      |       |      |       |      |       |      |       |      |       |      |       |      |       |      |       |      |       |      |       |      |       |      |       |      |       |      |       |      |       |      |       |      |       |      |       |      |       |      |       |      |       |      |       |      |      |      |       |      |       |      |       |      |       |      |       |      |       |      |       |      |       |      |       |      |       |      |       |      |       |      |       |      |       |      |       |      |       |      |       |      |       |      |       |      |       |      |       |      |       |      |       |      |       |      |       |      |       |      |       |      |       |      |       |      |       |      |       |      |      |      |       |      |       |      |       |      |       |      |       |      |       |      |       |      |       |      |       |      |       |      |       |      |       |      |       |      |       |      |       |      |       |      |       |      |       |      |       |      |       |      |       |      |       |      |       |      |       |      |       |      |       |      |       |      |       |      |       |      |       |      |       |      |       |      |       |      |       |      |       |      |       |      |       |      |       |      |       |      |       |      |       |      |       |      |       |      |       |      |       |      |       |      |       |      |       |      |       |      |       |      |       |      |       |      |       |      |       |      |       |      |      |      |       |      |       |      |       |      |       |      |       |      |       |      |      |      |       |      |       |      |       |      |       |      |       |      |       |      |       |      |       |      |     |      |       |      |       |      |       |      |       |      |    |      |       |      |       |      |       |      |       |      |    |      |       |      |       |      |       |      |       |      |    |      |       |      |       |      |       |      |       |      |      |      |       |      |       |      |       |      |       |      |      |      |       |      |       |      |       |      |       |      |      |      |       |      |       |      |      |      |       |      |       |      |       |      |       |      |       |      |      |      |       |      |       |      |      |      |       |      |       |      |       |      |       |      |       |      |       |      |       |      |       |      |      |      |       |      |       |      |       |      |       |      |       |      |       |      |       |      |       |      |       |      |       |      |       |      |       |      |       |      |       |      |       |      |       |      |       |      |       |      |       |      |       |      |       |      |       |      |       |      |       |      |       |      |       |      |       |      |       |      |      |      |      |      |       |      |       |      |      |      |      |      |      |      |      |      |      |      |      |      |      |     |      |     |      |      |      |      |      |     |      |     |      |     |      |     |      |     |      |     |      |     |      |     |      |     |      |     |      |     |      |     |      |     |      |     |      |     |      |     |      |     |      |     |      |     |      |     |      |     |  |  |     |     |      |     |      |     |  |  |  |  |  |  |  |  |  |  |
|               |            |          |                        |             |         | 74            | 1332       | 19.70    | 1.06                   | F 77        | 4       |       |       |        |      |       |       |        |       |        |       |        |      |       |       |        |       |       |       |        |       |       |       |        |       |       |       |        |       |       |       |        |       |       |       |        |       |        |       |        |       |        |       |        |       |        |      |        |       |        |       |        |       |        |       |        |       |        |      |       |       |        |       |       |       |        |       |       |       |        |       |        |       |        |       |        |      |       |       |        |       |       |       |        |      |       |       |        |       |       |      |        |       |        |       |        |       |        |      |       |       |        |       |        |      |        |      |        |       |        |      |        |       |        |      |        |      |       |      |        |      |       |      |        |      |        |      |       |      |        |      |       |      |        |      |       |      |        |      |       |      |       |      |       |      |       |      |        |      |       |      |        |      |        |      |        |      |       |      |        |      |       |      |        |      |        |      |       |      |        |      |       |      |        |      |       |      |       |      |        |      |        |      |      |      |        |      |        |      |       |      |       |      |       |      |       |      |       |      |       |      |       |      |       |      |       |      |       |      |       |      |       |      |       |      |       |      |       |      |       |      |       |      |       |      |       |      |       |      |       |      |       |      |      |      |       |      |       |      |       |      |       |      |       |      |       |      |       |      |       |      |       |      |       |      |       |      |       |      |       |      |       |      |       |      |       |      |       |      |       |      |       |      |       |      |       |      |       |      |       |      |       |      |       |      |       |      |       |      |       |      |       |      |       |      |       |      |      |      |       |      |       |      |       |      |       |      |       |      |       |      |       |      |       |      |       |      |       |      |       |      |       |      |       |      |       |      |       |      |       |      |       |      |       |      |       |      |       |      |       |      |       |      |       |      |       |      |       |      |       |      |       |      |       |      |       |      |       |      |       |      |       |      |       |      |       |      |       |      |       |      |       |      |       |      |       |      |       |      |       |      |       |      |       |      |       |      |       |      |       |      |       |      |       |      |       |      |       |      |       |      |       |      |       |      |       |      |       |      |      |      |       |      |       |      |       |      |       |      |       |      |       |      |      |      |       |      |       |      |       |      |       |      |       |      |       |      |       |      |       |      |     |      |       |      |       |      |       |      |       |      |    |      |       |      |       |      |       |      |       |      |    |      |       |      |       |      |       |      |       |      |    |      |       |      |       |      |       |      |       |      |      |      |       |      |       |      |       |      |       |      |      |      |       |      |       |      |       |      |       |      |      |      |       |      |       |      |      |      |       |      |       |      |       |      |       |      |       |      |      |      |       |      |       |      |      |      |       |      |       |      |       |      |       |      |       |      |       |      |       |      |       |      |      |      |       |      |       |      |       |      |       |      |       |      |       |      |       |      |       |      |       |      |       |      |       |      |       |      |       |      |       |      |       |      |       |      |       |      |       |      |       |      |       |      |       |      |       |      |       |      |       |      |       |      |       |      |       |      |       |      |      |      |      |      |       |      |       |      |      |      |      |      |      |      |      |      |      |      |      |      |      |     |      |     |      |      |      |      |      |     |      |     |      |     |      |     |      |     |      |     |      |     |      |     |      |     |      |     |      |     |      |     |      |     |      |     |      |     |      |     |      |     |      |     |      |     |      |     |      |     |  |  |     |     |      |     |      |     |  |  |  |  |  |  |  |  |  |  |
|               |            |          |                        |             |         | 83            | 1183       | 17.49    | 1.19                   |             |         |       |       |        |      |       |       | 93     | 1058  |        |       | 15.64  | 1.33 |       |       |        |       |       |       |        |       | 104   | 951   | 14.06  | 1.48  |       |       |        |       |       |       |        |       | 120   | 825   | 12.20  | 1.71  |        |       |        |       |        |       |        |       | 134    | 739  | 10.93  | 1.91  |        |       |        |       |        |       |        |       | 156    | 632  | 9.35  | 1.61  |        |       |       |       |        |       |       |       | 176    | 561   | 8.30   | 1.81  |        |       |        |      |       |       | 197    | 502   | 7.42  | 2.0   |        |      |       |       |        |       | 219   | 451  | 6.67   | 2.3   |        |       |        |       |        |      | 252   | 392   | 5.79   | 2.6   |        |      |        |      |        |       |        |      | 281    | 351   | 5.19   | 2.9  |        |      |       |      |        |      | 340   | 291  | 4.30   | 3.3  |        |      |       |      |        |      |       |      |        |      |       |      |        |      |       |      |       |      |       |      |       |      |        |      |       |      |        |      |        |      |        |      |       |      |        |      |       |      |        |      |        |      |       |      |        |      |       |      |        |      |       |      |       |      |        |      |        |      |      |      |        |      |        |      |       |      |       |      |       |      |       |      |       |      |       |      |       |      |       |      |       |      |       |      |       |      |       |      |       |      |       |      |       |      |       |      |       |      |       |      |       |      |       |      |       |      |       |      |      |      |       |      |       |      |       |      |       |      |       |      |       |      |       |      |       |      |       |      |       |      |       |      |       |      |       |      |       |      |       |      |       |      |       |      |       |      |       |      |       |      |       |      |       |      |       |      |       |      |       |      |       |      |       |      |       |      |       |      |       |      |       |      |      |      |       |      |       |      |       |      |       |      |       |      |       |      |       |      |       |      |       |      |       |      |       |      |       |      |       |      |       |      |       |      |       |      |       |      |       |      |       |      |       |      |       |      |       |      |       |      |       |      |       |      |       |      |       |      |       |      |       |      |       |      |       |      |       |      |       |      |       |      |       |      |       |      |       |      |       |      |       |      |       |      |       |      |       |      |       |      |       |      |       |      |       |      |       |      |       |      |       |      |       |      |       |      |       |      |       |      |       |      |       |      |      |      |       |      |       |      |       |      |       |      |       |      |       |      |      |      |       |      |       |      |       |      |       |      |       |      |       |      |       |      |       |      |     |      |       |      |       |      |       |      |       |      |    |      |       |      |       |      |       |      |       |      |    |      |       |      |       |      |       |      |       |      |    |      |       |      |       |      |       |      |       |      |      |      |       |      |       |      |       |      |       |      |      |      |       |      |       |      |       |      |       |      |      |      |       |      |       |      |      |      |       |      |       |      |       |      |       |      |       |      |      |      |       |      |       |      |      |      |       |      |       |      |       |      |       |      |       |      |       |      |       |      |       |      |      |      |       |      |       |      |       |      |       |      |       |      |       |      |       |      |       |      |       |      |       |      |       |      |       |      |       |      |       |      |       |      |       |      |       |      |       |      |       |      |       |      |       |      |       |      |       |      |       |      |       |      |       |      |       |      |       |      |      |      |      |      |       |      |       |      |      |      |      |      |      |      |      |      |      |      |      |      |      |     |      |     |      |      |      |      |      |     |      |     |      |     |      |     |      |     |      |     |      |     |      |     |      |     |      |     |      |     |      |     |      |     |      |     |      |     |      |     |      |     |      |     |      |     |      |     |      |     |  |  |     |     |      |     |      |     |  |  |  |  |  |  |  |  |  |  |
|               |            |          |                        |             |         | 93            | 1058       | 15.64    | 1.33                   |             |         |       |       |        |      |       |       | 104    | 951   |        |       | 14.06  | 1.48 |       |       |        |       |       |       |        |       | 120   | 825   | 12.20  | 1.71  |       |       |        |       |       |       |        |       | 134   | 739   | 10.93  | 1.91  |        |       |        |       |        |       |        |       | 156    | 632  | 9.35   | 1.61  |        |       |        |       |        |       |        |       | 176    | 561  | 8.30  | 1.81  |        |       |       |       |        |       |       |       | 197    | 502   | 7.42   | 2.0   |        |       |        |      |       |       | 219    | 451   | 6.67  | 2.3   |        |      |       |       |        |       | 252   | 392  | 5.79   | 2.6   |        |       |        |       |        |      | 281   | 351   | 5.19   | 2.9   |        |      |        |      |        |       |        |      | 340    | 291   | 4.30   | 3.3  |        |      |       |      |        |      |       |      |        |      |        |      |       |      |        |      |       |      |        |      |       |      |        |      |       |      |       |      |       |      |       |      |        |      |       |      |        |      |        |      |        |      |       |      |        |      |       |      |        |      |        |      |       |      |        |      |       |      |        |      |       |      |       |      |        |      |        |      |      |      |        |      |        |      |       |      |       |      |       |      |       |      |       |      |       |      |       |      |       |      |       |      |       |      |       |      |       |      |       |      |       |      |       |      |       |      |       |      |       |      |       |      |       |      |       |      |       |      |      |      |       |      |       |      |       |      |       |      |       |      |       |      |       |      |       |      |       |      |       |      |       |      |       |      |       |      |       |      |       |      |       |      |       |      |       |      |       |      |       |      |       |      |       |      |       |      |       |      |       |      |       |      |       |      |       |      |       |      |       |      |       |      |      |      |       |      |       |      |       |      |       |      |       |      |       |      |       |      |       |      |       |      |       |      |       |      |       |      |       |      |       |      |       |      |       |      |       |      |       |      |       |      |       |      |       |      |       |      |       |      |       |      |       |      |       |      |       |      |       |      |       |      |       |      |       |      |       |      |       |      |       |      |       |      |       |      |       |      |       |      |       |      |       |      |       |      |       |      |       |      |       |      |       |      |       |      |       |      |       |      |       |      |       |      |       |      |       |      |       |      |       |      |       |      |      |      |       |      |       |      |       |      |       |      |       |      |       |      |      |      |       |      |       |      |       |      |       |      |       |      |       |      |       |      |       |      |     |      |       |      |       |      |       |      |       |      |    |      |       |      |       |      |       |      |       |      |    |      |       |      |       |      |       |      |       |      |    |      |       |      |       |      |       |      |       |      |      |      |       |      |       |      |       |      |       |      |      |      |       |      |       |      |       |      |       |      |      |      |       |      |       |      |      |      |       |      |       |      |       |      |       |      |       |      |      |      |       |      |       |      |      |      |       |      |       |      |       |      |       |      |       |      |       |      |       |      |       |      |      |      |       |      |       |      |       |      |       |      |       |      |       |      |       |      |       |      |       |      |       |      |       |      |       |      |       |      |       |      |       |      |       |      |       |      |       |      |       |      |       |      |       |      |       |      |       |      |       |      |       |      |       |      |       |      |       |      |      |      |      |      |       |      |       |      |      |      |      |      |      |      |      |      |      |      |      |      |      |     |      |     |      |      |      |      |      |     |      |     |      |     |      |     |      |     |      |     |      |     |      |     |      |     |      |     |      |     |      |     |      |     |      |     |      |     |      |     |      |     |      |     |      |     |      |     |      |     |  |  |     |     |      |     |      |     |  |  |  |  |  |  |  |  |  |  |
|               |            |          |                        |             |         | 104           | 951        | 14.06    | 1.48                   |             |         |       |       |        |      |       |       | 120    | 825   |        |       | 12.20  | 1.71 |       |       |        |       |       |       |        |       | 134   | 739   | 10.93  | 1.91  |       |       |        |       |       |       |        |       | 156   | 632   | 9.35   | 1.61  |        |       |        |       |        |       |        |       | 176    | 561  | 8.30   | 1.81  |        |       |        |       |        |       |        |       | 197    | 502  | 7.42  | 2.0   |        |       |       |       |        |       |       |       | 219    | 451   | 6.67   | 2.3   |        |       |        |      |       |       | 252    | 392   | 5.79  | 2.6   |        |      |       |       |        |       | 281   | 351  | 5.19   | 2.9   |        |       |        |       |        |      | 340   | 291   | 4.30   | 3.3   |        |      |        |      |        |       |        |      |        |       |        |      |        |      |       |      |        |      |       |      |        |      |        |      |       |      |        |      |       |      |        |      |       |      |        |      |       |      |       |      |       |      |       |      |        |      |       |      |        |      |        |      |        |      |       |      |        |      |       |      |        |      |        |      |       |      |        |      |       |      |        |      |       |      |       |      |        |      |        |      |      |      |        |      |        |      |       |      |       |      |       |      |       |      |       |      |       |      |       |      |       |      |       |      |       |      |       |      |       |      |       |      |       |      |       |      |       |      |       |      |       |      |       |      |       |      |       |      |       |      |      |      |       |      |       |      |       |      |       |      |       |      |       |      |       |      |       |      |       |      |       |      |       |      |       |      |       |      |       |      |       |      |       |      |       |      |       |      |       |      |       |      |       |      |       |      |       |      |       |      |       |      |       |      |       |      |       |      |       |      |       |      |       |      |      |      |       |      |       |      |       |      |       |      |       |      |       |      |       |      |       |      |       |      |       |      |       |      |       |      |       |      |       |      |       |      |       |      |       |      |       |      |       |      |       |      |       |      |       |      |       |      |       |      |       |      |       |      |       |      |       |      |       |      |       |      |       |      |       |      |       |      |       |      |       |      |       |      |       |      |       |      |       |      |       |      |       |      |       |      |       |      |       |      |       |      |       |      |       |      |       |      |       |      |       |      |       |      |       |      |       |      |       |      |       |      |      |      |       |      |       |      |       |      |       |      |       |      |       |      |      |      |       |      |       |      |       |      |       |      |       |      |       |      |       |      |       |      |     |      |       |      |       |      |       |      |       |      |    |      |       |      |       |      |       |      |       |      |    |      |       |      |       |      |       |      |       |      |    |      |       |      |       |      |       |      |       |      |      |      |       |      |       |      |       |      |       |      |      |      |       |      |       |      |       |      |       |      |      |      |       |      |       |      |      |      |       |      |       |      |       |      |       |      |       |      |      |      |       |      |       |      |      |      |       |      |       |      |       |      |       |      |       |      |       |      |       |      |       |      |      |      |       |      |       |      |       |      |       |      |       |      |       |      |       |      |       |      |       |      |       |      |       |      |       |      |       |      |       |      |       |      |       |      |       |      |       |      |       |      |       |      |       |      |       |      |       |      |       |      |       |      |       |      |       |      |       |      |      |      |      |      |       |      |       |      |      |      |      |      |      |      |      |      |      |      |      |      |      |     |      |     |      |      |      |      |      |     |      |     |      |     |      |     |      |     |      |     |      |     |      |     |      |     |      |     |      |     |      |     |      |     |      |     |      |     |      |     |      |     |      |     |      |     |      |     |      |     |  |  |     |     |      |     |      |     |  |  |  |  |  |  |  |  |  |  |
|               |            |          |                        |             |         | 120           | 825        | 12.20    | 1.71                   |             |         |       |       |        |      |       |       | 134    | 739   |        |       | 10.93  | 1.91 |       |       |        |       |       |       |        |       | 156   | 632   | 9.35   | 1.61  |       |       |        |       |       |       |        |       | 176   | 561   | 8.30   | 1.81  |        |       |        |       |        |       |        |       | 197    | 502  | 7.42   | 2.0   |        |       |        |       |        |       |        |       | 219    | 451  | 6.67  | 2.3   |        |       |       |       |        |       |       |       | 252    | 392   | 5.79   | 2.6   |        |       |        |      |       |       | 281    | 351   | 5.19  | 2.9   |        |      |       |       |        |       | 340   | 291  | 4.30   | 3.3   |        |       |        |       |        |      |       |       |        |       |        |      |        |      |        |       |        |      |        |       |        |      |        |      |       |      |        |      |       |      |        |      |        |      |       |      |        |      |       |      |        |      |       |      |        |      |       |      |       |      |       |      |       |      |        |      |       |      |        |      |        |      |        |      |       |      |        |      |       |      |        |      |        |      |       |      |        |      |       |      |        |      |       |      |       |      |        |      |        |      |      |      |        |      |        |      |       |      |       |      |       |      |       |      |       |      |       |      |       |      |       |      |       |      |       |      |       |      |       |      |       |      |       |      |       |      |       |      |       |      |       |      |       |      |       |      |       |      |       |      |      |      |       |      |       |      |       |      |       |      |       |      |       |      |       |      |       |      |       |      |       |      |       |      |       |      |       |      |       |      |       |      |       |      |       |      |       |      |       |      |       |      |       |      |       |      |       |      |       |      |       |      |       |      |       |      |       |      |       |      |       |      |       |      |      |      |       |      |       |      |       |      |       |      |       |      |       |      |       |      |       |      |       |      |       |      |       |      |       |      |       |      |       |      |       |      |       |      |       |      |       |      |       |      |       |      |       |      |       |      |       |      |       |      |       |      |       |      |       |      |       |      |       |      |       |      |       |      |       |      |       |      |       |      |       |      |       |      |       |      |       |      |       |      |       |      |       |      |       |      |       |      |       |      |       |      |       |      |       |      |       |      |       |      |       |      |       |      |       |      |       |      |       |      |       |      |      |      |       |      |       |      |       |      |       |      |       |      |       |      |      |      |       |      |       |      |       |      |       |      |       |      |       |      |       |      |       |      |     |      |       |      |       |      |       |      |       |      |    |      |       |      |       |      |       |      |       |      |    |      |       |      |       |      |       |      |       |      |    |      |       |      |       |      |       |      |       |      |      |      |       |      |       |      |       |      |       |      |      |      |       |      |       |      |       |      |       |      |      |      |       |      |       |      |      |      |       |      |       |      |       |      |       |      |       |      |      |      |       |      |       |      |      |      |       |      |       |      |       |      |       |      |       |      |       |      |       |      |       |      |      |      |       |      |       |      |       |      |       |      |       |      |       |      |       |      |       |      |       |      |       |      |       |      |       |      |       |      |       |      |       |      |       |      |       |      |       |      |       |      |       |      |       |      |       |      |       |      |       |      |       |      |       |      |       |      |       |      |      |      |      |      |       |      |       |      |      |      |      |      |      |      |      |      |      |      |      |      |      |     |      |     |      |      |      |      |      |     |      |     |      |     |      |     |      |     |      |     |      |     |      |     |      |     |      |     |      |     |      |     |      |     |      |     |      |     |      |     |      |     |      |     |      |     |      |     |      |     |  |  |     |     |      |     |      |     |  |  |  |  |  |  |  |  |  |  |
|               |            |          |                        |             |         | 134           | 739        | 10.93    | 1.91                   |             |         |       |       |        |      |       |       | 156    | 632   |        |       | 9.35   | 1.61 |       |       |        |       |       |       |        |       | 176   | 561   | 8.30   | 1.81  |       |       |        |       |       |       |        |       | 197   | 502   | 7.42   | 2.0   |        |       |        |       |        |       |        |       | 219    | 451  | 6.67   | 2.3   |        |       |        |       |        |       |        |       | 252    | 392  | 5.79  | 2.6   |        |       |       |       |        |       |       |       | 281    | 351   | 5.19   | 2.9   |        |       |        |      |       |       | 340    | 291   | 4.30  | 3.3   |        |      |       |       |        |       |       |      |        |       |        |       |        |       |        |      |       |       |        |       |        |      |        |      |        |       |        |      |        |       |        |      |        |      |       |      |        |      |       |      |        |      |        |      |       |      |        |      |       |      |        |      |       |      |        |      |       |      |       |      |       |      |       |      |        |      |       |      |        |      |        |      |        |      |       |      |        |      |       |      |        |      |        |      |       |      |        |      |       |      |        |      |       |      |       |      |        |      |        |      |      |      |        |      |        |      |       |      |       |      |       |      |       |      |       |      |       |      |       |      |       |      |       |      |       |      |       |      |       |      |       |      |       |      |       |      |       |      |       |      |       |      |       |      |       |      |       |      |       |      |      |      |       |      |       |      |       |      |       |      |       |      |       |      |       |      |       |      |       |      |       |      |       |      |       |      |       |      |       |      |       |      |       |      |       |      |       |      |       |      |       |      |       |      |       |      |       |      |       |      |       |      |       |      |       |      |       |      |       |      |       |      |       |      |      |      |       |      |       |      |       |      |       |      |       |      |       |      |       |      |       |      |       |      |       |      |       |      |       |      |       |      |       |      |       |      |       |      |       |      |       |      |       |      |       |      |       |      |       |      |       |      |       |      |       |      |       |      |       |      |       |      |       |      |       |      |       |      |       |      |       |      |       |      |       |      |       |      |       |      |       |      |       |      |       |      |       |      |       |      |       |      |       |      |       |      |       |      |       |      |       |      |       |      |       |      |       |      |       |      |       |      |       |      |       |      |      |      |       |      |       |      |       |      |       |      |       |      |       |      |      |      |       |      |       |      |       |      |       |      |       |      |       |      |       |      |       |      |     |      |       |      |       |      |       |      |       |      |    |      |       |      |       |      |       |      |       |      |    |      |       |      |       |      |       |      |       |      |    |      |       |      |       |      |       |      |       |      |      |      |       |      |       |      |       |      |       |      |      |      |       |      |       |      |       |      |       |      |      |      |       |      |       |      |      |      |       |      |       |      |       |      |       |      |       |      |      |      |       |      |       |      |      |      |       |      |       |      |       |      |       |      |       |      |       |      |       |      |       |      |      |      |       |      |       |      |       |      |       |      |       |      |       |      |       |      |       |      |       |      |       |      |       |      |       |      |       |      |       |      |       |      |       |      |       |      |       |      |       |      |       |      |       |      |       |      |       |      |       |      |       |      |       |      |       |      |       |      |      |      |      |      |       |      |       |      |      |      |      |      |      |      |      |      |      |      |      |      |      |     |      |     |      |      |      |      |      |     |      |     |      |     |      |     |      |     |      |     |      |     |      |     |      |     |      |     |      |     |      |     |      |     |      |     |      |     |      |     |      |     |      |     |      |     |      |     |      |     |  |  |     |     |      |     |      |     |  |  |  |  |  |  |  |  |  |  |
|               |            |          |                        |             |         | 156           | 632        | 9.35     | 1.61                   |             |         |       |       |        |      |       |       | 176    | 561   |        |       | 8.30   | 1.81 |       |       |        |       |       |       |        |       | 197   | 502   | 7.42   | 2.0   |       |       |        |       |       |       |        |       | 219   | 451   | 6.67   | 2.3   |        |       |        |       |        |       |        |       | 252    | 392  | 5.79   | 2.6   |        |       |        |       |        |       |        |       | 281    | 351  | 5.19  | 2.9   |        |       |       |       |        |       |       |       | 340    | 291   | 4.30   | 3.3   |        |       |        |      |       |       |        |       |       |       |        |      |       |       |        |       |       |      |        |       |        |       |        |       |        |      |       |       |        |       |        |      |        |      |        |       |        |      |        |       |        |      |        |      |       |      |        |      |       |      |        |      |        |      |       |      |        |      |       |      |        |      |       |      |        |      |       |      |       |      |       |      |       |      |        |      |       |      |        |      |        |      |        |      |       |      |        |      |       |      |        |      |        |      |       |      |        |      |       |      |        |      |       |      |       |      |        |      |        |      |      |      |        |      |        |      |       |      |       |      |       |      |       |      |       |      |       |      |       |      |       |      |       |      |       |      |       |      |       |      |       |      |       |      |       |      |       |      |       |      |       |      |       |      |       |      |       |      |       |      |      |      |       |      |       |      |       |      |       |      |       |      |       |      |       |      |       |      |       |      |       |      |       |      |       |      |       |      |       |      |       |      |       |      |       |      |       |      |       |      |       |      |       |      |       |      |       |      |       |      |       |      |       |      |       |      |       |      |       |      |       |      |       |      |      |      |       |      |       |      |       |      |       |      |       |      |       |      |       |      |       |      |       |      |       |      |       |      |       |      |       |      |       |      |       |      |       |      |       |      |       |      |       |      |       |      |       |      |       |      |       |      |       |      |       |      |       |      |       |      |       |      |       |      |       |      |       |      |       |      |       |      |       |      |       |      |       |      |       |      |       |      |       |      |       |      |       |      |       |      |       |      |       |      |       |      |       |      |       |      |       |      |       |      |       |      |       |      |       |      |       |      |       |      |       |      |      |      |       |      |       |      |       |      |       |      |       |      |       |      |      |      |       |      |       |      |       |      |       |      |       |      |       |      |       |      |       |      |     |      |       |      |       |      |       |      |       |      |    |      |       |      |       |      |       |      |       |      |    |      |       |      |       |      |       |      |       |      |    |      |       |      |       |      |       |      |       |      |      |      |       |      |       |      |       |      |       |      |      |      |       |      |       |      |       |      |       |      |      |      |       |      |       |      |      |      |       |      |       |      |       |      |       |      |       |      |      |      |       |      |       |      |      |      |       |      |       |      |       |      |       |      |       |      |       |      |       |      |       |      |      |      |       |      |       |      |       |      |       |      |       |      |       |      |       |      |       |      |       |      |       |      |       |      |       |      |       |      |       |      |       |      |       |      |       |      |       |      |       |      |       |      |       |      |       |      |       |      |       |      |       |      |       |      |       |      |       |      |      |      |      |      |       |      |       |      |      |      |      |      |      |      |      |      |      |      |      |      |      |     |      |     |      |      |      |      |      |     |      |     |      |     |      |     |      |     |      |     |      |     |      |     |      |     |      |     |      |     |      |     |      |     |      |     |      |     |      |     |      |     |      |     |      |     |      |     |      |     |  |  |     |     |      |     |      |     |  |  |  |  |  |  |  |  |  |  |
|               |            |          |                        |             |         | 176           | 561        | 8.30     | 1.81                   |             |         |       |       |        |      |       |       | 197    | 502   |        |       | 7.42   | 2.0  |       |       |        |       |       |       |        |       | 219   | 451   | 6.67   | 2.3   |       |       |        |       |       |       |        |       | 252   | 392   | 5.79   | 2.6   |        |       |        |       |        |       |        |       | 281    | 351  | 5.19   | 2.9   |        |       |        |       |        |       |        |       | 340    | 291  | 4.30  | 3.3   |        |       |       |       |        |       |       |       |        |       |        |       |        |       |        |      |       |       |        |       |       |       |        |      |       |       |        |       |       |      |        |       |        |       |        |       |        |      |       |       |        |       |        |      |        |      |        |       |        |      |        |       |        |      |        |      |       |      |        |      |       |      |        |      |        |      |       |      |        |      |       |      |        |      |       |      |        |      |       |      |       |      |       |      |       |      |        |      |       |      |        |      |        |      |        |      |       |      |        |      |       |      |        |      |        |      |       |      |        |      |       |      |        |      |       |      |       |      |        |      |        |      |      |      |        |      |        |      |       |      |       |      |       |      |       |      |       |      |       |      |       |      |       |      |       |      |       |      |       |      |       |      |       |      |       |      |       |      |       |      |       |      |       |      |       |      |       |      |       |      |       |      |      |      |       |      |       |      |       |      |       |      |       |      |       |      |       |      |       |      |       |      |       |      |       |      |       |      |       |      |       |      |       |      |       |      |       |      |       |      |       |      |       |      |       |      |       |      |       |      |       |      |       |      |       |      |       |      |       |      |       |      |       |      |       |      |      |      |       |      |       |      |       |      |       |      |       |      |       |      |       |      |       |      |       |      |       |      |       |      |       |      |       |      |       |      |       |      |       |      |       |      |       |      |       |      |       |      |       |      |       |      |       |      |       |      |       |      |       |      |       |      |       |      |       |      |       |      |       |      |       |      |       |      |       |      |       |      |       |      |       |      |       |      |       |      |       |      |       |      |       |      |       |      |       |      |       |      |       |      |       |      |       |      |       |      |       |      |       |      |       |      |       |      |       |      |       |      |      |      |       |      |       |      |       |      |       |      |       |      |       |      |      |      |       |      |       |      |       |      |       |      |       |      |       |      |       |      |       |      |     |      |       |      |       |      |       |      |       |      |    |      |       |      |       |      |       |      |       |      |    |      |       |      |       |      |       |      |       |      |    |      |       |      |       |      |       |      |       |      |      |      |       |      |       |      |       |      |       |      |      |      |       |      |       |      |       |      |       |      |      |      |       |      |       |      |      |      |       |      |       |      |       |      |       |      |       |      |      |      |       |      |       |      |      |      |       |      |       |      |       |      |       |      |       |      |       |      |       |      |       |      |      |      |       |      |       |      |       |      |       |      |       |      |       |      |       |      |       |      |       |      |       |      |       |      |       |      |       |      |       |      |       |      |       |      |       |      |       |      |       |      |       |      |       |      |       |      |       |      |       |      |       |      |       |      |       |      |       |      |      |      |      |      |       |      |       |      |      |      |      |      |      |      |      |      |      |      |      |      |      |     |      |     |      |      |      |      |      |     |      |     |      |     |      |     |      |     |      |     |      |     |      |     |      |     |      |     |      |     |      |     |      |     |      |     |      |     |      |     |      |     |      |     |      |     |      |     |      |     |  |  |     |     |      |     |      |     |  |  |  |  |  |  |  |  |  |  |
|               |            |          |                        |             |         | 197           | 502        | 7.42     | 2.0                    |             |         |       |       |        |      |       |       | 219    | 451   |        |       | 6.67   | 2.3  |       |       |        |       |       |       |        |       | 252   | 392   | 5.79   | 2.6   |       |       |        |       |       |       |        |       | 281   | 351   | 5.19   | 2.9   |        |       |        |       |        |       |        |       | 340    | 291  | 4.30   | 3.3   |        |       |        |       |        |       |        |       |        |      |       |       |        |       |       |       |        |       |       |       |        |       |        |       |        |       |        |      |       |       |        |       |       |       |        |      |       |       |        |       |       |      |        |       |        |       |        |       |        |      |       |       |        |       |        |      |        |      |        |       |        |      |        |       |        |      |        |      |       |      |        |      |       |      |        |      |        |      |       |      |        |      |       |      |        |      |       |      |        |      |       |      |       |      |       |      |       |      |        |      |       |      |        |      |        |      |        |      |       |      |        |      |       |      |        |      |        |      |       |      |        |      |       |      |        |      |       |      |       |      |        |      |        |      |      |      |        |      |        |      |       |      |       |      |       |      |       |      |       |      |       |      |       |      |       |      |       |      |       |      |       |      |       |      |       |      |       |      |       |      |       |      |       |      |       |      |       |      |       |      |       |      |       |      |      |      |       |      |       |      |       |      |       |      |       |      |       |      |       |      |       |      |       |      |       |      |       |      |       |      |       |      |       |      |       |      |       |      |       |      |       |      |       |      |       |      |       |      |       |      |       |      |       |      |       |      |       |      |       |      |       |      |       |      |       |      |       |      |      |      |       |      |       |      |       |      |       |      |       |      |       |      |       |      |       |      |       |      |       |      |       |      |       |      |       |      |       |      |       |      |       |      |       |      |       |      |       |      |       |      |       |      |       |      |       |      |       |      |       |      |       |      |       |      |       |      |       |      |       |      |       |      |       |      |       |      |       |      |       |      |       |      |       |      |       |      |       |      |       |      |       |      |       |      |       |      |       |      |       |      |       |      |       |      |       |      |       |      |       |      |       |      |       |      |       |      |       |      |       |      |      |      |       |      |       |      |       |      |       |      |       |      |       |      |      |      |       |      |       |      |       |      |       |      |       |      |       |      |       |      |       |      |     |      |       |      |       |      |       |      |       |      |    |      |       |      |       |      |       |      |       |      |    |      |       |      |       |      |       |      |       |      |    |      |       |      |       |      |       |      |       |      |      |      |       |      |       |      |       |      |       |      |      |      |       |      |       |      |       |      |       |      |      |      |       |      |       |      |      |      |       |      |       |      |       |      |       |      |       |      |      |      |       |      |       |      |      |      |       |      |       |      |       |      |       |      |       |      |       |      |       |      |       |      |      |      |       |      |       |      |       |      |       |      |       |      |       |      |       |      |       |      |       |      |       |      |       |      |       |      |       |      |       |      |       |      |       |      |       |      |       |      |       |      |       |      |       |      |       |      |       |      |       |      |       |      |       |      |       |      |       |      |      |      |      |      |       |      |       |      |      |      |      |      |      |      |      |      |      |      |      |      |      |     |      |     |      |      |      |      |      |     |      |     |      |     |      |     |      |     |      |     |      |     |      |     |      |     |      |     |      |     |      |     |      |     |      |     |      |     |      |     |      |     |      |     |      |     |      |     |      |     |  |  |     |     |      |     |      |     |  |  |  |  |  |  |  |  |  |  |
|               |            |          |                        |             |         | 219           | 451        | 6.67     | 2.3                    |             |         |       |       |        |      |       |       | 252    | 392   |        |       | 5.79   | 2.6  |       |       |        |       |       |       |        |       | 281   | 351   | 5.19   | 2.9   |       |       |        |       |       |       |        |       | 340   | 291   | 4.30   | 3.3   |        |       |        |       |        |       |        |       |        |      |        |       |        |       |        |       |        |       |        |       |        |      |       |       |        |       |       |       |        |       |       |       |        |       |        |       |        |       |        |      |       |       |        |       |       |       |        |      |       |       |        |       |       |      |        |       |        |       |        |       |        |      |       |       |        |       |        |      |        |      |        |       |        |      |        |       |        |      |        |      |       |      |        |      |       |      |        |      |        |      |       |      |        |      |       |      |        |      |       |      |        |      |       |      |       |      |       |      |       |      |        |      |       |      |        |      |        |      |        |      |       |      |        |      |       |      |        |      |        |      |       |      |        |      |       |      |        |      |       |      |       |      |        |      |        |      |      |      |        |      |        |      |       |      |       |      |       |      |       |      |       |      |       |      |       |      |       |      |       |      |       |      |       |      |       |      |       |      |       |      |       |      |       |      |       |      |       |      |       |      |       |      |       |      |       |      |      |      |       |      |       |      |       |      |       |      |       |      |       |      |       |      |       |      |       |      |       |      |       |      |       |      |       |      |       |      |       |      |       |      |       |      |       |      |       |      |       |      |       |      |       |      |       |      |       |      |       |      |       |      |       |      |       |      |       |      |       |      |       |      |      |      |       |      |       |      |       |      |       |      |       |      |       |      |       |      |       |      |       |      |       |      |       |      |       |      |       |      |       |      |       |      |       |      |       |      |       |      |       |      |       |      |       |      |       |      |       |      |       |      |       |      |       |      |       |      |       |      |       |      |       |      |       |      |       |      |       |      |       |      |       |      |       |      |       |      |       |      |       |      |       |      |       |      |       |      |       |      |       |      |       |      |       |      |       |      |       |      |       |      |       |      |       |      |       |      |       |      |       |      |       |      |      |      |       |      |       |      |       |      |       |      |       |      |       |      |      |      |       |      |       |      |       |      |       |      |       |      |       |      |       |      |       |      |     |      |       |      |       |      |       |      |       |      |    |      |       |      |       |      |       |      |       |      |    |      |       |      |       |      |       |      |       |      |    |      |       |      |       |      |       |      |       |      |      |      |       |      |       |      |       |      |       |      |      |      |       |      |       |      |       |      |       |      |      |      |       |      |       |      |      |      |       |      |       |      |       |      |       |      |       |      |      |      |       |      |       |      |      |      |       |      |       |      |       |      |       |      |       |      |       |      |       |      |       |      |      |      |       |      |       |      |       |      |       |      |       |      |       |      |       |      |       |      |       |      |       |      |       |      |       |      |       |      |       |      |       |      |       |      |       |      |       |      |       |      |       |      |       |      |       |      |       |      |       |      |       |      |       |      |       |      |       |      |      |      |      |      |       |      |       |      |      |      |      |      |      |      |      |      |      |      |      |      |      |     |      |     |      |      |      |      |      |     |      |     |      |     |      |     |      |     |      |     |      |     |      |     |      |     |      |     |      |     |      |     |      |     |      |     |      |     |      |     |      |     |      |     |      |     |      |     |      |     |  |  |     |     |      |     |      |     |  |  |  |  |  |  |  |  |  |  |
|               |            |          |                        |             |         | 252           | 392        | 5.79     | 2.6                    |             |         |       |       |        |      |       |       | 281    | 351   |        |       | 5.19   | 2.9  |       |       |        |       |       |       |        |       | 340   | 291   | 4.30   | 3.3   |       |       |        |       |       |       |        |       |       |       |        |       |        |       |        |       |        |       |        |       |        |      |        |       |        |       |        |       |        |       |        |       |        |      |       |       |        |       |       |       |        |       |       |       |        |       |        |       |        |       |        |      |       |       |        |       |       |       |        |      |       |       |        |       |       |      |        |       |        |       |        |       |        |      |       |       |        |       |        |      |        |      |        |       |        |      |        |       |        |      |        |      |       |      |        |      |       |      |        |      |        |      |       |      |        |      |       |      |        |      |       |      |        |      |       |      |       |      |       |      |       |      |        |      |       |      |        |      |        |      |        |      |       |      |        |      |       |      |        |      |        |      |       |      |        |      |       |      |        |      |       |      |       |      |        |      |        |      |      |      |        |      |        |      |       |      |       |      |       |      |       |      |       |      |       |      |       |      |       |      |       |      |       |      |       |      |       |      |       |      |       |      |       |      |       |      |       |      |       |      |       |      |       |      |       |      |       |      |      |      |       |      |       |      |       |      |       |      |       |      |       |      |       |      |       |      |       |      |       |      |       |      |       |      |       |      |       |      |       |      |       |      |       |      |       |      |       |      |       |      |       |      |       |      |       |      |       |      |       |      |       |      |       |      |       |      |       |      |       |      |       |      |      |      |       |      |       |      |       |      |       |      |       |      |       |      |       |      |       |      |       |      |       |      |       |      |       |      |       |      |       |      |       |      |       |      |       |      |       |      |       |      |       |      |       |      |       |      |       |      |       |      |       |      |       |      |       |      |       |      |       |      |       |      |       |      |       |      |       |      |       |      |       |      |       |      |       |      |       |      |       |      |       |      |       |      |       |      |       |      |       |      |       |      |       |      |       |      |       |      |       |      |       |      |       |      |       |      |       |      |       |      |       |      |      |      |       |      |       |      |       |      |       |      |       |      |       |      |      |      |       |      |       |      |       |      |       |      |       |      |       |      |       |      |       |      |     |      |       |      |       |      |       |      |       |      |    |      |       |      |       |      |       |      |       |      |    |      |       |      |       |      |       |      |       |      |    |      |       |      |       |      |       |      |       |      |      |      |       |      |       |      |       |      |       |      |      |      |       |      |       |      |       |      |       |      |      |      |       |      |       |      |      |      |       |      |       |      |       |      |       |      |       |      |      |      |       |      |       |      |      |      |       |      |       |      |       |      |       |      |       |      |       |      |       |      |       |      |      |      |       |      |       |      |       |      |       |      |       |      |       |      |       |      |       |      |       |      |       |      |       |      |       |      |       |      |       |      |       |      |       |      |       |      |       |      |       |      |       |      |       |      |       |      |       |      |       |      |       |      |       |      |       |      |       |      |      |      |      |      |       |      |       |      |      |      |      |      |      |      |      |      |      |      |      |      |      |     |      |     |      |      |      |      |      |     |      |     |      |     |      |     |      |     |      |     |      |     |      |     |      |     |      |     |      |     |      |     |      |     |      |     |      |     |      |     |      |     |      |     |      |     |      |     |      |     |  |  |     |     |      |     |      |     |  |  |  |  |  |  |  |  |  |  |
|               |            |          |                        |             |         | 281           | 351        | 5.19     | 2.9                    |             |         |       |       |        |      |       |       | 340    | 291   |        |       | 4.30   | 3.3  |       |       |        |       |       |       |        |       |       |       |        |       |       |       |        |       |       |       |        |       |       |       |        |       |        |       |        |       |        |       |        |       |        |      |        |       |        |       |        |       |        |       |        |       |        |      |       |       |        |       |       |       |        |       |       |       |        |       |        |       |        |       |        |      |       |       |        |       |       |       |        |      |       |       |        |       |       |      |        |       |        |       |        |       |        |      |       |       |        |       |        |      |        |      |        |       |        |      |        |       |        |      |        |      |       |      |        |      |       |      |        |      |        |      |       |      |        |      |       |      |        |      |       |      |        |      |       |      |       |      |       |      |       |      |        |      |       |      |        |      |        |      |        |      |       |      |        |      |       |      |        |      |        |      |       |      |        |      |       |      |        |      |       |      |       |      |        |      |        |      |      |      |        |      |        |      |       |      |       |      |       |      |       |      |       |      |       |      |       |      |       |      |       |      |       |      |       |      |       |      |       |      |       |      |       |      |       |      |       |      |       |      |       |      |       |      |       |      |       |      |      |      |       |      |       |      |       |      |       |      |       |      |       |      |       |      |       |      |       |      |       |      |       |      |       |      |       |      |       |      |       |      |       |      |       |      |       |      |       |      |       |      |       |      |       |      |       |      |       |      |       |      |       |      |       |      |       |      |       |      |       |      |       |      |      |      |       |      |       |      |       |      |       |      |       |      |       |      |       |      |       |      |       |      |       |      |       |      |       |      |       |      |       |      |       |      |       |      |       |      |       |      |       |      |       |      |       |      |       |      |       |      |       |      |       |      |       |      |       |      |       |      |       |      |       |      |       |      |       |      |       |      |       |      |       |      |       |      |       |      |       |      |       |      |       |      |       |      |       |      |       |      |       |      |       |      |       |      |       |      |       |      |       |      |       |      |       |      |       |      |       |      |       |      |       |      |      |      |       |      |       |      |       |      |       |      |       |      |       |      |      |      |       |      |       |      |       |      |       |      |       |      |       |      |       |      |       |      |     |      |       |      |       |      |       |      |       |      |    |      |       |      |       |      |       |      |       |      |    |      |       |      |       |      |       |      |       |      |    |      |       |      |       |      |       |      |       |      |      |      |       |      |       |      |       |      |       |      |      |      |       |      |       |      |       |      |       |      |      |      |       |      |       |      |      |      |       |      |       |      |       |      |       |      |       |      |      |      |       |      |       |      |      |      |       |      |       |      |       |      |       |      |       |      |       |      |       |      |       |      |      |      |       |      |       |      |       |      |       |      |       |      |       |      |       |      |       |      |       |      |       |      |       |      |       |      |       |      |       |      |       |      |       |      |       |      |       |      |       |      |       |      |       |      |       |      |       |      |       |      |       |      |       |      |       |      |       |      |      |      |      |      |       |      |       |      |      |      |      |      |      |      |      |      |      |      |      |      |      |     |      |     |      |      |      |      |      |     |      |     |      |     |      |     |      |     |      |     |      |     |      |     |      |     |      |     |      |     |      |     |      |     |      |     |      |     |      |     |      |     |      |     |      |     |      |     |      |     |  |  |     |     |      |     |      |     |  |  |  |  |  |  |  |  |  |  |
|               |            |          |                        |             |         | 340           | 291        | 4.30     | 3.3                    |             |         |       |       |        |      |       |       |        |       |        |       |        |      |       |       |        |       |       |       |        |       |       |       |        |       |       |       |        |       |       |       |        |       |       |       |        |       |        |       |        |       |        |       |        |       |        |      |        |       |        |       |        |       |        |       |        |       |        |      |       |       |        |       |       |       |        |       |       |       |        |       |        |       |        |       |        |      |       |       |        |       |       |       |        |      |       |       |        |       |       |      |        |       |        |       |        |       |        |      |       |       |        |       |        |      |        |      |        |       |        |      |        |       |        |      |        |      |       |      |        |      |       |      |        |      |        |      |       |      |        |      |       |      |        |      |       |      |        |      |       |      |       |      |       |      |       |      |        |      |       |      |        |      |        |      |        |      |       |      |        |      |       |      |        |      |        |      |       |      |        |      |       |      |        |      |       |      |       |      |        |      |        |      |      |      |        |      |        |      |       |      |       |      |       |      |       |      |       |      |       |      |       |      |       |      |       |      |       |      |       |      |       |      |       |      |       |      |       |      |       |      |       |      |       |      |       |      |       |      |       |      |       |      |      |      |       |      |       |      |       |      |       |      |       |      |       |      |       |      |       |      |       |      |       |      |       |      |       |      |       |      |       |      |       |      |       |      |       |      |       |      |       |      |       |      |       |      |       |      |       |      |       |      |       |      |       |      |       |      |       |      |       |      |       |      |       |      |      |      |       |      |       |      |       |      |       |      |       |      |       |      |       |      |       |      |       |      |       |      |       |      |       |      |       |      |       |      |       |      |       |      |       |      |       |      |       |      |       |      |       |      |       |      |       |      |       |      |       |      |       |      |       |      |       |      |       |      |       |      |       |      |       |      |       |      |       |      |       |      |       |      |       |      |       |      |       |      |       |      |       |      |       |      |       |      |       |      |       |      |       |      |       |      |       |      |       |      |       |      |       |      |       |      |       |      |       |      |       |      |      |      |       |      |       |      |       |      |       |      |       |      |       |      |      |      |       |      |       |      |       |      |       |      |       |      |       |      |       |      |       |      |     |      |       |      |       |      |       |      |       |      |    |      |       |      |       |      |       |      |       |      |    |      |       |      |       |      |       |      |       |      |    |      |       |      |       |      |       |      |       |      |      |      |       |      |       |      |       |      |       |      |      |      |       |      |       |      |       |      |       |      |      |      |       |      |       |      |      |      |       |      |       |      |       |      |       |      |       |      |      |      |       |      |       |      |      |      |       |      |       |      |       |      |       |      |       |      |       |      |       |      |       |      |      |      |       |      |       |      |       |      |       |      |       |      |       |      |       |      |       |      |       |      |       |      |       |      |       |      |       |      |       |      |       |      |       |      |       |      |       |      |       |      |       |      |       |      |       |      |       |      |       |      |       |      |       |      |       |      |       |      |      |      |      |      |       |      |       |      |      |      |      |      |      |      |      |      |      |      |      |      |      |     |      |     |      |      |      |      |      |     |      |     |      |     |      |     |      |     |      |     |      |     |      |     |      |     |      |     |      |     |      |     |      |     |      |     |      |     |      |     |      |     |      |     |      |     |      |     |      |     |  |  |     |     |      |     |      |     |  |  |  |  |  |  |  |  |  |  |

减速机的外形安装尺寸在95页到101页里查找。The appearance of reducer installation dimensions in 95 to 101 page search page.



| 输出转速<br>r/min | 输出扭矩<br>Nm | 传动比<br>i | 使用系数<br>f <sub>B</sub> | 机型号<br>Type | 极数<br>p | 输出转速<br>r/min | 输出扭矩<br>Nm    | 传动比<br>i | 使用系数<br>f <sub>B</sub> | 机型号<br>Type | 极数<br>p  |      |
|---------------|------------|----------|------------------------|-------------|---------|---------------|---------------|----------|------------------------|-------------|----------|------|
| <b>15kW</b>   |            |          |                        |             |         | <b>15kW</b>   |               |          |                        |             |          |      |
| 6.3           | 20172      | 231      | 0.84                   | F 157R97    | 4       | 55            | 2444          | 26.50    | 1.15                   | F 87        | 4        |      |
| 7.2           | 17639      | 202      | 0.96                   |             |         | 62            | 2184          | 23.68    | 1.29                   |             |          |      |
| 7.4           | 17115      | 196      | 0.99                   |             |         | 68            | 1966          | 21.32    | 1.43                   |             |          |      |
| 6.8           | 19685      | 141.80   | 0.86                   | F 157       | 6       | 76            | 1781          | 19.31    | 1.58                   |             |          |      |
|               | 7.8        | 17372    | 125.14                 |             |         | 0.97          | 85            | 1579     | 17.12                  |             |          | 1.79 |
|               | 8.9        | 15061    | 108.49                 |             |         | 1.12          | 94            | 1428     | 15.48                  |             |          | 1.98 |
|               | 10         | 13400    | 96.53                  |             |         | 1.26          | 111           | 1210     | 13.12                  |             |          | 2.3  |
|               | 11         | 12063    | 86.90                  |             |         | 1.40          | 127           | 1057     | 11.46                  |             |          | 2.7  |
| 6.7           | 21043      | 218.40   | 0.84                   | F 157       | 4       | 152           | 884           | 9.58     | 3.1                    |             |          |      |
|               | 8.2        | 16340    | 177.17                 |             |         | 1.04          | 173           | 780      | 8.46                   |             |          | 1.84 |
|               | 8.9        | 15156    | 164.33                 |             |         | 1.12          | 195           | 692      | 7.50                   |             |          | 2.1  |
|               | 10         | 13078    | 141.80                 |             |         | 1.29          | 215           | 625      | 6.78                   |             |          | 2.3  |
|               | 12         | 11542    | 125.14                 |             |         | 1.47          | 254           | 530      | 5.75                   |             |          | 2.8  |
|               | 13         | 10006    | 108.49                 |             |         | 1.69          | 291           | 463      | 5.02                   |             |          | 3.1  |
|               | 15         | 8903     | 96.53                  |             |         | 1.90          | 348           | 387      | 4.20                   |             |          | 3.5  |
|               | 17         | 8015     | 86.90                  |             |         | 2.1           | <b>18.5kW</b> |          |                        |             |          |      |
|               | 18         | 7329     | 79.47                  |             |         | 2.3           | 7.3           | 21607    | 202                    | 0.78        | F 157R97 | 4    |
|               | 21         | 6378     | 69.15                  |             |         | 2.7           | 7.5           | 20965    | 196                    | 0.81        |          |      |
| 24            | 5628       | 61.02    | 3.0                    | F 157       | 4       | 8.3           | 20016         | 177.17   | 0.85                   |             |          |      |
| 9.7           | 13844      | 99.73    | 0.81                   |             |         | 8.9           | 18565         | 164.33   | 0.91                   |             |          |      |
|               | 11         | 12216    | 88.00                  |             |         | 0.92          | 10            | 16020    | 141.80                 | 1.06        |          |      |
|               | 13         | 10550    | 76.00                  |             |         | 1.07          | 12            | 14138    | 125.14                 | 1.20        |          |      |
|               | 14         | 9803     | 70.62                  |             |         | 1.15          | 14            | 12257    | 108.49                 | 1.38        |          |      |
|               | 15         | 8941     | 64.41                  |             |         | 1.26          | 15            | 10906    | 96.53                  | 1.55        |          |      |
| 12            | 11594      | 125.71   | 0.97                   |             |         | 17            | 9818          | 86.90    | 1.72                   |             |          |      |
|               | 13         | 10699    | 116.00                 |             |         | 1.05          | 18            | 8978     | 79.47                  | 1.88        |          |      |
|               | 15         | 9198     | 99.73                  |             |         | 1.23          | 21            | 7812     | 69.15                  | 2.2         |          |      |
|               | 17         | 8116     | 88.00                  |             |         | 1.39          | 24            | 6894     | 61.02                  | 2.5         |          |      |
|               | 19         | 7009     | 76.00                  |             |         | 1.61          | 28            | 5978     | 52.91                  | 2.8         |          |      |
|               | 21         | 6513     | 70.62                  |             |         | 1.73          | F 127         | 4        | 13                     | 13105       | 116.00   | 0.86 |
| 16            | 8528       | 92.47    | 0.85                   |             |         | 15            |               |          | 11267                  | 99.73       | 1.00     |      |
|               | 16         | 8161     | 88.49                  |             |         | 0.88          |               |          | 17                     | 9942        | 88.00    | 1.13 |
|               | 17         | 7746     | 83.99                  |             |         | 0.93          |               |          | 19                     | 8586        | 76.00    | 1.31 |
|               | 20         | 6873     | 74.52                  | 1.05        | 21      | 7978          |               |          | 70.62                  | 1.41        |          |      |
|               | 22         | 6237     | 67.62                  | 1.16        | 23      | 7277          |               |          | 64.41                  | 1.55        |          |      |
|               | 25         | 5360     | 58.12                  | 1.35        | 26      | 6297          |               |          | 55.74                  | 1.79        |          |      |
|               | 29         | 4679     | 50.73                  | 1.54        | 30      | 5557          |               |          | 49.19                  | 2.0         |          |      |
|               | 34         | 3969     | 43.03                  | 1.82        | F 107   | 4             |               |          | 20                     | 8419        | 74.52    | 0.86 |
|               | 39         | 3469     | 37.61                  | 2.1         |         |               |               |          | 22                     | 7639        | 67.62    | 0.94 |
|               | 46         | 2933     | 31.80                  | 2.5         |         |               | 25            | 6566     | 58.12                  | 1.10        |          |      |
| 43            | 3116       | 33.78    | 2.3                    | 29          |         |               | 5731          | 50.73    | 1.26                   |             |          |      |
| 53            | 2530       | 27.43    | 2.8                    | 34          |         |               | 4861          | 43.03    | 1.49                   |             |          |      |
| 58            | 2334       | 25.31    | 3.1                    | 39          |         |               | 4249          | 37.61    | 1.70                   |             |          |      |
| 67            | 2007       | 21.76    | 3.6                    | 46          |         |               | 3593          | 31.80    | 2.0                    |             |          |      |
| 32            | 4145       | 44.94    | 0.98                   | 44          |         |               | 3817          | 33.78    | 1.89                   |             |          |      |
|               | 37         | 3621     | 39.26                  | 1.12        |         |               | 53            | 3099     | 27.43                  | 2.3         |          |      |
|               | 44         | 3028     | 32.83                  | 1.33        |         |               | 58            | 2859     | 25.31                  | 2.5         |          |      |
|               | 43         | 3160     | 34.26                  | 1.28        | 68      | 2458          | 21.76         | 2.9      |                        |             |          |      |
|               | 48         | 2831     | 30.70                  | 1.43        | F 97    | 4             | 37            | 4435     | 39.26                  | 0.91        |          |      |
|               | 53         | 2557     | 27.72                  | 1.58        |         |               | 45            | 3709     | 32.83                  | 1.09        |          |      |
|               | 58         | 2322     | 25.18                  | 1.74        |         |               | 53            | 3132     | 27.72                  | 1.29        |          |      |
|               | 65         | 2060     | 22.34                  | 1.96        |         |               | 58            | 2845     | 25.18                  | 1.42        |          |      |
|               | 72         | 1869     | 20.27                  | 2.2         |         |               | 66            | 2524     | 22.34                  | 1.60        |          |      |
|               | 84         | 1607     | 17.42                  | 2.5         |         |               | 73            | 2290     | 20.27                  | 1.77        |          |      |
|               | 96         | 1403     | 15.21                  | 2.9         |         |               | 84            | 1274     | 17.42                  | 3.17        |          |      |
|               | 113        | 1190     | 12.90                  | 3.4         |         |               | 97            | 1718     | 15.21                  | 2.35        |          |      |
|               | 129        | 1040     | 11.28                  | 3.9         |         |               | 114           | 1457     | 12.90                  | 2.77        |          |      |
|               |            |          |                        |             |         |               | 130           | 1274     | 11.28                  | 3.17        |          |      |

减速机的外形安装尺寸在95页到101页里查找。The appearance of reducer installation dimensions in 95 to 101 page search page.



| 输出转速<br>r/min | 输出扭矩<br>Nm | 传动比<br>i | 使用系数<br>f <sub>B</sub> | 机型号<br>Type | 极数<br>p | 输出转速<br>r/min | 输出扭矩<br>Nm | 传动比<br>i | 使用系数<br>f <sub>B</sub> | 机型号<br>Type | 极数<br>p |             |       |       |       |             |       |             |       |             |       |             |       |             |       |             |       |             |       |             |       |             |       |             |       |             |       |             |       |             |       |             |       |             |       |             |       |             |       |             |       |             |       |             |       |       |       |             |       |        |       |        |       |       |       |        |       |       |       |        |       |        |       |       |       |       |       |        |       |       |       |        |       |       |       |       |       |       |       |       |       |       |       |       |      |       |       |        |       |       |       |        |       |        |       |        |       |        |       |        |       |        |       |        |       |       |      |       |       |       |       |       |      |       |       |        |       |       |       |        |      |       |       |        |       |       |       |        |      |       |       |        |       |        |       |        |       |        |       |        |       |        |       |        |       |        |       |        |       |       |       |       |       |       |       |       |       |       |       |       |      |       |       |       |       |       |       |       |      |       |       |       |       |       |       |       |      |       |       |       |       |       |       |       |      |       |       |       |       |       |       |       |      |       |       |       |       |       |       |       |      |       |       |       |       |       |      |       |      |       |       |       |       |       |      |       |      |       |       |       |      |       |       |       |      |       |      |       |       |       |       |       |      |       |      |       |       |       |      |       |      |       |       |       |      |       |       |       |       |       |       |       |      |       |      |       |      |       |      |       |      |       |      |       |      |       |      |       |      |       |      |       |      |       |      |       |      |       |      |       |      |       |      |       |      |       |      |       |      |       |      |       |      |       |      |       |      |       |      |       |      |       |      |       |      |       |      |       |      |       |      |       |      |       |      |       |      |       |      |       |      |       |      |       |      |       |      |       |      |       |      |       |      |       |      |       |      |       |      |       |      |       |      |       |      |       |      |       |      |       |      |       |      |       |      |       |      |       |      |       |      |       |      |       |      |       |      |       |      |       |      |       |      |       |      |       |      |       |      |       |      |       |      |       |      |       |      |       |      |      |      |       |      |       |      |       |      |       |      |       |      |       |      |      |      |       |      |       |      |       |      |       |      |      |      |       |      |       |      |       |      |       |      |       |      |       |      |       |      |       |      |       |      |       |      |       |      |      |      |       |      |       |      |       |      |       |      |       |      |       |      |       |      |       |      |      |      |       |     |      |      |      |     |      |      |      |      |      |      |      |      |      |     |      |      |
|---------------|------------|----------|------------------------|-------------|---------|---------------|------------|----------|------------------------|-------------|---------|-------------|-------|-------|-------|-------------|-------|-------------|-------|-------------|-------|-------------|-------|-------------|-------|-------------|-------|-------------|-------|-------------|-------|-------------|-------|-------------|-------|-------------|-------|-------------|-------|-------------|-------|-------------|-------|-------------|-------|-------------|-------|-------------|-------|-------------|-------|-------------|-------|-------------|-------|-------|-------|-------------|-------|--------|-------|--------|-------|-------|-------|--------|-------|-------|-------|--------|-------|--------|-------|-------|-------|-------|-------|--------|-------|-------|-------|--------|-------|-------|-------|-------|-------|-------|-------|-------|-------|-------|-------|-------|------|-------|-------|--------|-------|-------|-------|--------|-------|--------|-------|--------|-------|--------|-------|--------|-------|--------|-------|--------|-------|-------|------|-------|-------|-------|-------|-------|------|-------|-------|--------|-------|-------|-------|--------|------|-------|-------|--------|-------|-------|-------|--------|------|-------|-------|--------|-------|--------|-------|--------|-------|--------|-------|--------|-------|--------|-------|--------|-------|--------|-------|--------|-------|-------|-------|-------|-------|-------|-------|-------|-------|-------|-------|-------|------|-------|-------|-------|-------|-------|-------|-------|------|-------|-------|-------|-------|-------|-------|-------|------|-------|-------|-------|-------|-------|-------|-------|------|-------|-------|-------|-------|-------|-------|-------|------|-------|-------|-------|-------|-------|-------|-------|------|-------|-------|-------|-------|-------|------|-------|------|-------|-------|-------|-------|-------|------|-------|------|-------|-------|-------|------|-------|-------|-------|------|-------|------|-------|-------|-------|-------|-------|------|-------|------|-------|-------|-------|------|-------|------|-------|-------|-------|------|-------|-------|-------|-------|-------|-------|-------|------|-------|------|-------|------|-------|------|-------|------|-------|------|-------|------|-------|------|-------|------|-------|------|-------|------|-------|------|-------|------|-------|------|-------|------|-------|------|-------|------|-------|------|-------|------|-------|------|-------|------|-------|------|-------|------|-------|------|-------|------|-------|------|-------|------|-------|------|-------|------|-------|------|-------|------|-------|------|-------|------|-------|------|-------|------|-------|------|-------|------|-------|------|-------|------|-------|------|-------|------|-------|------|-------|------|-------|------|-------|------|-------|------|-------|------|-------|------|-------|------|-------|------|-------|------|-------|------|-------|------|-------|------|-------|------|-------|------|-------|------|-------|------|-------|------|-------|------|-------|------|-------|------|-------|------|-------|------|-------|------|-------|------|-------|------|-------|------|-------|------|------|------|-------|------|-------|------|-------|------|-------|------|-------|------|-------|------|------|------|-------|------|-------|------|-------|------|-------|------|------|------|-------|------|-------|------|-------|------|-------|------|-------|------|-------|------|-------|------|-------|------|-------|------|-------|------|-------|------|------|------|-------|------|-------|------|-------|------|-------|------|-------|------|-------|------|-------|------|-------|------|------|------|-------|-----|------|------|------|-----|------|------|------|------|------|------|------|------|------|-----|------|------|
| <b>18.5kW</b> |            |          |                        |             |         | <b>22kW</b>   |            |          |                        |             |         |             |       |       |       |             |       |             |       |             |       |             |       |             |       |             |       |             |       |             |       |             |       |             |       |             |       |             |       |             |       |             |       |             |       |             |       |             |       |             |       |             |       |             |       |       |       |             |       |        |       |        |       |       |       |        |       |       |       |        |       |        |       |       |       |       |       |        |       |       |       |        |       |       |       |       |       |       |       |       |       |       |       |       |      |       |       |        |       |       |       |        |       |        |       |        |       |        |       |        |       |        |       |        |       |       |      |       |       |       |       |       |      |       |       |        |       |       |       |        |      |       |       |        |       |       |       |        |      |       |       |        |       |        |       |        |       |        |       |        |       |        |       |        |       |        |       |        |       |       |       |       |       |       |       |       |       |       |       |       |      |       |       |       |       |       |       |       |      |       |       |       |       |       |       |       |      |       |       |       |       |       |       |       |      |       |       |       |       |       |       |       |      |       |       |       |       |       |       |       |      |       |       |       |       |       |      |       |      |       |       |       |       |       |      |       |      |       |       |       |      |       |       |       |      |       |      |       |       |       |       |       |      |       |      |       |       |       |      |       |      |       |       |       |      |       |       |       |       |       |       |       |      |       |      |       |      |       |      |       |      |       |      |       |      |       |      |       |      |       |      |       |      |       |      |       |      |       |      |       |      |       |      |       |      |       |      |       |      |       |      |       |      |       |      |       |      |       |      |       |      |       |      |       |      |       |      |       |      |       |      |       |      |       |      |       |      |       |      |       |      |       |      |       |      |       |      |       |      |       |      |       |      |       |      |       |      |       |      |       |      |       |      |       |      |       |      |       |      |       |      |       |      |       |      |       |      |       |      |       |      |       |      |       |      |       |      |       |      |       |      |       |      |       |      |       |      |       |      |       |      |       |      |       |      |       |      |       |      |      |      |       |      |       |      |       |      |       |      |       |      |       |      |      |      |       |      |       |      |       |      |       |      |      |      |       |      |       |      |       |      |       |      |       |      |       |      |       |      |       |      |       |      |       |      |       |      |      |      |       |      |       |      |       |      |       |      |       |      |       |      |       |      |       |      |      |      |       |     |      |      |      |     |      |      |      |      |      |      |      |      |      |     |      |      |
| 69            | 2409       | 21.32    | 1.17                   | F 87        | 4       | 112           | 1763       | 13.12    | 1.60                   | F 87        | 4       |             |       |       |       |             |       |             |       |             |       |             |       |             |       |             |       |             |       |             |       |             |       |             |       |             |       |             |       |             |       |             |       |             |       |             |       |             |       |             |       |             |       |             |       |       |       |             |       |        |       |        |       |       |       |        |       |       |       |        |       |        |       |       |       |       |       |        |       |       |       |        |       |       |       |       |       |       |       |       |       |       |       |       |      |       |       |        |       |       |       |        |       |        |       |        |       |        |       |        |       |        |       |        |       |       |      |       |       |       |       |       |      |       |       |        |       |       |       |        |      |       |       |        |       |       |       |        |      |       |       |        |       |        |       |        |       |        |       |        |       |        |       |        |       |        |       |        |       |       |       |       |       |       |       |       |       |       |       |       |      |       |       |       |       |       |       |       |      |       |       |       |       |       |       |       |      |       |       |       |       |       |       |       |      |       |       |       |       |       |       |       |      |       |       |       |       |       |       |       |      |       |       |       |       |       |      |       |      |       |       |       |       |       |      |       |      |       |       |       |      |       |       |       |      |       |      |       |       |       |       |       |      |       |      |       |       |       |      |       |      |       |       |       |      |       |       |       |       |       |       |       |      |       |      |       |      |       |      |       |      |       |      |       |      |       |      |       |      |       |      |       |      |       |      |       |      |       |      |       |      |       |      |       |      |       |      |       |      |       |      |       |      |       |      |       |      |       |      |       |      |       |      |       |      |       |      |       |      |       |      |       |      |       |      |       |      |       |      |       |      |       |      |       |      |       |      |       |      |       |      |       |      |       |      |       |      |       |      |       |      |       |      |       |      |       |      |       |      |       |      |       |      |       |      |       |      |       |      |       |      |       |      |       |      |       |      |       |      |       |      |       |      |       |      |       |      |       |      |       |      |       |      |       |      |       |      |       |      |      |      |       |      |       |      |       |      |       |      |       |      |       |      |      |      |       |      |       |      |       |      |       |      |      |      |       |      |       |      |       |      |       |      |       |      |       |      |       |      |       |      |       |      |       |      |       |      |      |      |       |      |       |      |       |      |       |      |       |      |       |      |       |      |       |      |      |      |       |     |      |      |      |     |      |      |      |      |      |      |      |      |      |     |      |      |
| 76            | 2182       | 19.31    | 1.29                   |             |         | 86            | 1934       | 17.12    | 1.46                   |             |         | 95          | 1749  | 15.48 | 1.61  | 112         | 1482  | 13.12       | 1.90  | 128         | 1295  | 11.46       | 2.2   | 153         | 1082  | 9.58        | 2.5   | 174         | 956   | 8.46        | 1.50  | 196         | 847   | 7.50        | 1.70  | 217         | 766   | 6.78        | 1.88  | 256         | 650   | 5.75        | 2.2   | 293         | 567   | 5.02        | 2.5   | 350         | 474   | 4.20        | 2.9   | <b>22kW</b> |       |             |       |       |       | <b>30kW</b> |       |        |       |        |       | 10    | 19654 | 96.53  | 0.86  | F 157 | 6     | 14     | 19876 | 108.49 | 0.85  | F 157 | 4     | 11    | 17693 | 86.90  | 0.96  | 12    | 16180 | 79.47  | 1.05  | 14    | 14079 | 69.15 | 1.20  | 17    | 12669 | 69.15 | 1.34  | 21    | 11179 | 61.02 | 1.51 | 24    | 9693  | 52.91  | 1.75  | 28    | 8623  | 47.07  | 2.0   | 31     | 8623  | 47.07  | 2.0   | 36     | 7433  | 40.57  | 2.3   | 10     | 19051 | 141.80 | 0.89  | F 157 | 4    | 19    | 13924 | 76.00 | 0.81  | F 127 | 4    | 12    | 16813 | 125.14 | 1.01  | 14    | 14576 | 108.49 | 1.16 | 15    | 12969 | 96.53  | 1.30  | 17    | 11675 | 86.60  | 1.45 | 18    | 10677 | 79.47  | 1.58  | 21     | 9290  | 69.15  | 1.82  | 24     | 8198  | 61.02  | 2.1   | 28     | 7108  | 52.91  | 2.4   | 31     | 6324  | 47.07  | 2.7   | 36    | 5451  | 40.57 | 3.1   | 45    | 4430  | 32.97 | 3.8   | 15    | 13399 | 99.73 | 0.84 | F 127 | 4     | 34    | 7883  | 43.03 | 0.92  | F 107 | 4    | 17    | 11823 | 88.00 | 0.95  | 19    | 10211 | 76.00 | 1.10 | 21    | 9488  | 70.62 | 1.19  | 23    | 8653  | 64.41 | 1.30 | 26    | 7489  | 55.74 | 1.51  | 30    | 6609  | 49.19 | 1.71 | 35    | 5707  | 42.48 | 1.98  | 25    | 7808  | 58.12 | 0.92 | F 107 | 4     | 39    | 6890  | 37.61 | 1.05 | F 97  | 4    | 29    | 6816  | 50.73 | 1.06  | 34    | 5781 | 43.03 | 1.25 | 39    | 5053  | 37.61 | 1.43 | 46    | 4272  | 31.08 | 1.69 | 44    | 4540 | 33.78 | 1.59  | 54    | 3685  | 27.43 | 1.96 | 58    | 3400 | 25.31 | 2.1   | 68    | 2923 | 21.76 | 2.5  | 77    | 2580  | 19.20 | 2.8  | 53    | 3724  | 27.72 | 1.09  | F 97  | 4     | 66    | 4093 | 22.34 | 0.99 | F 87  | 4    | 58    | 3383 | 25.18 | 1.19 | 66    | 3001 | 22.34 | 1.35 | 73    | 2723 | 20.27 | 1.48 | 84    | 2340 | 17.42 | 1.73 | 97    | 2043 | 15.21 | 2.0  | 114   | 1733 | 12.90 | 2.3  | 130   | 1515 | 11.28 | 2.7  | 69    | 2864 | 21.32 | 0.98 | F 87  | 4    | 112   | 1763 | 13.12 | 1.60 | 76    | 2594 | 19.31 | 1.09 | 86    | 2300 | 17.12 | 1.23 | 95    | 2080 | 15.48 | 1.36 | 128   | 1295 | 11.46 | 2.2  | 153   | 1082 | 9.58  | 2.5  | 174   | 956  | 8.46  | 1.50 | 196   | 847  | 7.50  | 1.70 | 217   | 766  | 6.78  | 1.88 | 256   | 650  | 5.75  | 2.2  | 293   | 567  | 5.02  | 2.5  | 350   | 474  | 4.20  | 2.9  |       |      |       |      |       |      |       |      |       |      |       |      |       |      |       |      |       |      |       |      |       |      |       |      |       |      |       |      |       |      |       |      |       |      |       |      |       |      |       |      |       |      |       |      |       |      |       |      |       |      |      |      |       |      |       |      |       |      |       |      |       |      |       |      |      |      |       |      |       |      |       |      |       |      |      |      |       |      |       |      |       |      |       |      |       |      |       |      |       |      |       |      |       |      |       |      |       |      |      |      |       |      |       |      |       |      |       |      |       |      |       |      |       |      |       |      |      |      |       |     |      |      |      |     |      |      |      |      |      |      |      |      |      |     |      |      |
| 86            | 1934       | 17.12    | 1.46                   |             |         | 95            | 1749       | 15.48    | 1.61                   |             |         | 112         | 1482  | 13.12 | 1.90  | 128         | 1295  | 11.46       | 2.2   | 153         | 1082  | 9.58        | 2.5   | 174         | 956   | 8.46        | 1.50  | 196         | 847   | 7.50        | 1.70  | 217         | 766   | 6.78        | 1.88  | 256         | 650   | 5.75        | 2.2   | 293         | 567   | 5.02        | 2.5   | 350         | 474   | 4.20        | 2.9   | <b>22kW</b> |       |             |       |             |       | <b>30kW</b> |       |       |       |             |       | 10     | 19654 | 96.53  | 0.86  | F 157 | 6     | 14     | 19876 |       |       | 108.49 | 0.85  | F 157  | 4     |       |       | 11    | 17693 | 86.90  | 0.96  | 12    | 16180 | 79.47  | 1.05  | 14    | 14079 | 69.15 | 1.20  | 17    | 12669 | 69.15 | 1.34  | 21    | 11179 | 61.02 | 1.51 | 24    | 9693  | 52.91  | 1.75  | 28    | 8623  | 47.07  | 2.0   | 31     | 8623  | 47.07  | 2.0   | 36     | 7433  | 40.57  | 2.3   | 10     | 19051 | 141.80 | 0.89  |       |      | F 157 | 4     | 19    | 13924 |       |      | 76.00 | 0.81  | F 127  | 4     | 12    | 16813 | 125.14 | 1.01 | 14    | 14576 | 108.49 | 1.16  | 15    | 12969 | 96.53  | 1.30 | 17    | 11675 | 86.60  | 1.45  | 18     | 10677 | 79.47  | 1.58  | 21     | 9290  | 69.15  | 1.82  | 24     | 8198  | 61.02  | 2.1   | 28     | 7108  | 52.91  | 2.4   | 31    | 6324  | 47.07 | 2.7   | 36    | 5451  | 40.57 | 3.1   | 45    | 4430  | 32.97 | 3.8  |       |       | 15    | 13399 | 99.73 | 0.84  |       |      | F 127 | 4     | 34    | 7883  | 43.03 | 0.92  | F 107 | 4    | 17    | 11823 | 88.00 | 0.95  | 19    | 10211 | 76.00 | 1.10 | 21    | 9488  | 70.62 | 1.19  | 23    | 8653  | 64.41 | 1.30 | 26    | 7489  | 55.74 | 1.51  | 30    | 6609  | 49.19 | 1.71 |       |       | 35    | 5707  | 42.48 | 1.98 |       |      | 25    | 7808  | 58.12 | 0.92  | F 107 | 4    | 39    | 6890 | 37.61 | 1.05  | F 97  | 4    | 29    | 6816  | 50.73 | 1.06 | 34    | 5781 | 43.03 | 1.25  | 39    | 5053  | 37.61 | 1.43 | 46    | 4272 | 31.08 | 1.69  | 44    | 4540 | 33.78 | 1.59 | 54    | 3685  | 27.43 | 1.96 | 58    | 3400  | 25.31 | 2.1   |       |       | 68    | 2923 | 21.76 | 2.5  |       |      | 77    | 2580 | 19.20 | 2.8  | 53    | 3724 | 27.72 | 1.09 | F 97  | 4    | 66    | 4093 | 22.34 | 0.99 | F 87  | 4    | 58    | 3383 | 25.18 | 1.19 | 66    | 3001 | 22.34 | 1.35 | 73    | 2723 | 20.27 | 1.48 | 84    | 2340 | 17.42 | 1.73 |       |      | 97    | 2043 | 15.21 | 2.0  | 114   | 1733 | 12.90 | 2.3  | 130   | 1515 | 11.28 | 2.7  | 69    | 2864 | 21.32 | 0.98 | F 87  | 4    | 112   | 1763 | 13.12 | 1.60 | 76    | 2594 | 19.31 | 1.09 | 86    | 2300 | 17.12 | 1.23 | 95    | 2080 | 15.48 | 1.36 | 128   | 1295 | 11.46 | 2.2  | 153   | 1082 | 9.58  | 2.5  | 174   | 956  | 8.46  | 1.50 | 196   | 847  | 7.50  | 1.70 | 217   | 766  | 6.78  | 1.88 | 256   | 650  | 5.75  | 2.2  | 293   | 567  | 5.02  | 2.5  | 350   | 474  | 4.20  | 2.9  |       |      |       |      |       |      |       |      |       |      |       |      |       |      |       |      |       |      |       |      |       |      |       |      |       |      |       |      |       |      |       |      |      |      |       |      |       |      |       |      |       |      |       |      |       |      |      |      |       |      |       |      |       |      |       |      |      |      |       |      |       |      |       |      |       |      |       |      |       |      |       |      |       |      |       |      |       |      |       |      |      |      |       |      |       |      |       |      |       |      |       |      |       |      |       |      |       |      |      |      |       |     |      |      |      |     |      |      |      |      |      |      |      |      |      |     |      |      |
| 95            | 1749       | 15.48    | 1.61                   |             |         | 112           | 1482       | 13.12    | 1.90                   |             |         | 128         | 1295  | 11.46 | 2.2   | 153         | 1082  | 9.58        | 2.5   | 174         | 956   | 8.46        | 1.50  | 196         | 847   | 7.50        | 1.70  | 217         | 766   | 6.78        | 1.88  | 256         | 650   | 5.75        | 2.2   | 293         | 567   | 5.02        | 2.5   | 350         | 474   | 4.20        | 2.9   | <b>22kW</b> |       |             |       |             |       | <b>30kW</b> |       |             |       |             |       | 10    | 19654 | 96.53       | 0.86  | F 157  | 6     | 14     | 19876 |       |       | 108.49 | 0.85  |       |       | F 157  | 4     |        |       |       |       | 11    | 17693 | 86.90  | 0.96  | 12    | 16180 | 79.47  | 1.05  | 14    | 14079 | 69.15 | 1.20  | 17    | 12669 | 69.15 | 1.34  | 21    | 11179 | 61.02 | 1.51 | 24    | 9693  | 52.91  | 1.75  | 28    | 8623  | 47.07  | 2.0   | 31     | 8623  | 47.07  | 2.0   | 36     | 7433  | 40.57  | 2.3   | 10     | 19051 | 141.80 | 0.89  |       |      |       |       | F 157 | 4     |       |      | 19    | 13924 |        |       | 76.00 | 0.81  | F 127  | 4    | 12    | 16813 | 125.14 | 1.01  | 14    | 14576 | 108.49 | 1.16 | 15    | 12969 | 96.53  | 1.30  | 17     | 11675 | 86.60  | 1.45  | 18     | 10677 | 79.47  | 1.58  | 21     | 9290  | 69.15  | 1.82  | 24     | 8198  | 61.02  | 2.1   | 28    | 7108  | 52.91 | 2.4   | 31    | 6324  | 47.07 | 2.7   | 36    | 5451  | 40.57 | 3.1  |       |       | 45    | 4430  | 32.97 | 3.8   |       |      |       |       | 15    | 13399 | 99.73 | 0.84  |       |      | F 127 | 4     | 34    | 7883  | 43.03 | 0.92  | F 107 | 4    | 17    | 11823 | 88.00 | 0.95  | 19    | 10211 | 76.00 | 1.10 | 21    | 9488  | 70.62 | 1.19  | 23    | 8653  | 64.41 | 1.30 |       |       | 26    | 7489  | 55.74 | 1.51 |       |      | 30    | 6609  | 49.19 | 1.71  |       |      | 35    | 5707 | 42.48 | 1.98  |       |      | 25    | 7808  | 58.12 | 0.92 | F 107 | 4    | 39    | 6890  | 37.61 | 1.05  | F 97  | 4    | 29    | 6816 | 50.73 | 1.06  | 34    | 5781 | 43.03 | 1.25 | 39    | 5053  | 37.61 | 1.43 | 46    | 4272  | 31.08 | 1.69  |       |       | 44    | 4540 | 33.78 | 1.59 |       |      | 54    | 3685 | 27.43 | 1.96 | 58    | 3400 | 25.31 | 2.1  |       |      | 68    | 2923 | 21.76 | 2.5  |       |      | 77    | 2580 | 19.20 | 2.8  | 53    | 3724 | 27.72 | 1.09 | F 97  | 4    | 66    | 4093 | 22.34 | 0.99 | F 87  | 4    |       |      | 58    | 3383 | 25.18 | 1.19 | 66    | 3001 | 22.34 | 1.35 | 73    | 2723 | 20.27 | 1.48 | 84    | 2340 | 17.42 | 1.73 |       |      | 97    | 2043 | 15.21 | 2.0  | 114   | 1733 | 12.90 | 2.3  | 130   | 1515 | 11.28 | 2.7  | 69    | 2864 | 21.32 | 0.98 | F 87  | 4    | 112   | 1763 | 13.12 | 1.60 | 76    | 2594 | 19.31 | 1.09 | 86    | 2300 | 17.12 | 1.23 | 95    | 2080 | 15.48 | 1.36 | 128   | 1295 | 11.46 | 2.2  | 153   | 1082 | 9.58  | 2.5  | 174   | 956  | 8.46  | 1.50 | 196   | 847  | 7.50  | 1.70 | 217   | 766  | 6.78  | 1.88 | 256   | 650  | 5.75  | 2.2  | 293   | 567  | 5.02  | 2.5  | 350   | 474  | 4.20  | 2.9  |       |      |       |      |       |      |       |      |       |      |       |      |       |      |      |      |       |      |       |      |       |      |       |      |       |      |       |      |      |      |       |      |       |      |       |      |       |      |      |      |       |      |       |      |       |      |       |      |       |      |       |      |       |      |       |      |       |      |       |      |       |      |      |      |       |      |       |      |       |      |       |      |       |      |       |      |       |      |       |      |      |      |       |     |      |      |      |     |      |      |      |      |      |      |      |      |      |     |      |      |
| 112           | 1482       | 13.12    | 1.90                   |             |         | 128           | 1295       | 11.46    | 2.2                    |             |         | 153         | 1082  | 9.58  | 2.5   | 174         | 956   | 8.46        | 1.50  | 196         | 847   | 7.50        | 1.70  | 217         | 766   | 6.78        | 1.88  | 256         | 650   | 5.75        | 2.2   | 293         | 567   | 5.02        | 2.5   | 350         | 474   | 4.20        | 2.9   | <b>22kW</b> |       |             |       |             |       | <b>30kW</b> |       |             |       |             |       | 10          | 19654 | 96.53       | 0.86  | F 157 | 6     | 14          | 19876 |        |       | 108.49 | 0.85  |       |       | F 157  | 4     |       |       |        |       |        |       |       |       | 11    | 17693 | 86.90  | 0.96  | 12    | 16180 | 79.47  | 1.05  | 14    | 14079 | 69.15 | 1.20  | 17    | 12669 | 69.15 | 1.34  | 21    | 11179 | 61.02 | 1.51 | 24    | 9693  | 52.91  | 1.75  | 28    | 8623  | 47.07  | 2.0   | 31     | 8623  | 47.07  | 2.0   | 36     | 7433  | 40.57  | 2.3   | 10     | 19051 | 141.80 | 0.89  |       |      |       |       |       |       |       |      | F 157 | 4     |        |       | 19    | 13924 |        |      | 76.00 | 0.81  | F 127  | 4     | 12    | 16813 | 125.14 | 1.01 | 14    | 14576 | 108.49 | 1.16  | 15     | 12969 | 96.53  | 1.30  | 17     | 11675 | 86.60  | 1.45  | 18     | 10677 | 79.47  | 1.58  | 21     | 9290  | 69.15  | 1.82  | 24    | 8198  | 61.02 | 2.1   | 28    | 7108  | 52.91 | 2.4   | 31    | 6324  | 47.07 | 2.7  |       |       | 36    | 5451  | 40.57 | 3.1   |       |      |       |       | 45    | 4430  | 32.97 | 3.8   |       |      |       |       | 15    | 13399 | 99.73 | 0.84  |       |      | F 127 | 4     | 34    | 7883  | 43.03 | 0.92  | F 107 | 4    | 17    | 11823 | 88.00 | 0.95  | 19    | 10211 | 76.00 | 1.10 |       |       | 21    | 9488  | 70.62 | 1.19 |       |      | 23    | 8653  | 64.41 | 1.30  |       |      | 26    | 7489 | 55.74 | 1.51  |       |      | 30    | 6609  | 49.19 | 1.71 |       |      | 35    | 5707  | 42.48 | 1.98  |       |      | 25    | 7808 | 58.12 | 0.92  | F 107 | 4    | 39    | 6890 | 37.61 | 1.05  | F 97  | 4    | 29    | 6816  | 50.73 | 1.06  |       |       | 34    | 5781 | 43.03 | 1.25 |       |      | 39    | 5053 | 37.61 | 1.43 | 46    | 4272 | 31.08 | 1.69 |       |      | 44    | 4540 | 33.78 | 1.59 |       |      | 54    | 3685 | 27.43 | 1.96 | 58    | 3400 | 25.31 | 2.1  |       |      | 68    | 2923 | 21.76 | 2.5  |       |      |       |      | 77    | 2580 | 19.20 | 2.8  | 53    | 3724 | 27.72 | 1.09 | F 97  | 4    | 66    | 4093 | 22.34 | 0.99 | F 87  | 4    |       |      | 58    | 3383 | 25.18 | 1.19 | 66    | 3001 | 22.34 | 1.35 | 73    | 2723 | 20.27 | 1.48 | 84    | 2340 | 17.42 | 1.73 |       |      | 97    | 2043 | 15.21 | 2.0  | 114   | 1733 | 12.90 | 2.3  | 130   | 1515 | 11.28 | 2.7  | 69    | 2864 | 21.32 | 0.98 | F 87  | 4    | 112   | 1763 | 13.12 | 1.60 | 76    | 2594 | 19.31 | 1.09 | 86    | 2300 | 17.12 | 1.23 | 95    | 2080 | 15.48 | 1.36 | 128   | 1295 | 11.46 | 2.2  | 153   | 1082 | 9.58  | 2.5  | 174   | 956  | 8.46  | 1.50 | 196   | 847  | 7.50  | 1.70 | 217   | 766  | 6.78  | 1.88 | 256   | 650  | 5.75  | 2.2  | 293   | 567  | 5.02  | 2.5  | 350  | 474  | 4.20  | 2.9  |       |      |       |      |       |      |       |      |       |      |      |      |       |      |       |      |       |      |       |      |      |      |       |      |       |      |       |      |       |      |       |      |       |      |       |      |       |      |       |      |       |      |       |      |      |      |       |      |       |      |       |      |       |      |       |      |       |      |       |      |       |      |      |      |       |     |      |      |      |     |      |      |      |      |      |      |      |      |      |     |      |      |
| 128           | 1295       | 11.46    | 2.2                    |             |         | 153           | 1082       | 9.58     | 2.5                    |             |         | 174         | 956   | 8.46  | 1.50  | 196         | 847   | 7.50        | 1.70  | 217         | 766   | 6.78        | 1.88  | 256         | 650   | 5.75        | 2.2   | 293         | 567   | 5.02        | 2.5   | 350         | 474   | 4.20        | 2.9   | <b>22kW</b> |       |             |       |             |       | <b>30kW</b> |       |             |       |             |       | 10          | 19654 | 96.53       | 0.86  | F 157       | 6     | 14          | 19876 |       |       | 108.49      | 0.85  |        |       | F 157  | 4     |       |       |        |       |       |       |        |       |        |       |       |       | 11    | 17693 | 86.90  | 0.96  | 12    | 16180 | 79.47  | 1.05  | 14    | 14079 | 69.15 | 1.20  | 17    | 12669 | 69.15 | 1.34  | 21    | 11179 | 61.02 | 1.51 | 24    | 9693  | 52.91  | 1.75  | 28    | 8623  | 47.07  | 2.0   | 31     | 8623  | 47.07  | 2.0   | 36     | 7433  | 40.57  | 2.3   | 10     | 19051 | 141.80 | 0.89  |       |      |       |       |       |       |       |      |       |       |        |       | F 157 | 4     |        |      | 19    | 13924 |        |       | 76.00 | 0.81  | F 127  | 4    | 12    | 16813 | 125.14 | 1.01  | 14     | 14576 | 108.49 | 1.16  | 15     | 12969 | 96.53  | 1.30  | 17     | 11675 | 86.60  | 1.45  | 18     | 10677 | 79.47  | 1.58  | 21    | 9290  | 69.15 | 1.82  | 24    | 8198  | 61.02 | 2.1   | 28    | 7108  | 52.91 | 2.4  |       |       | 31    | 6324  | 47.07 | 2.7   |       |      |       |       | 36    | 5451  | 40.57 | 3.1   |       |      |       |       | 45    | 4430  | 32.97 | 3.8   |       |      |       |       | 15    | 13399 | 99.73 | 0.84  |       |      | F 127 | 4     | 34    | 7883  | 43.03 | 0.92  | F 107 | 4    |       |       | 17    | 11823 | 88.00 | 0.95 |       |      | 19    | 10211 | 76.00 | 1.10  |       |      | 21    | 9488 | 70.62 | 1.19  |       |      | 23    | 8653  | 64.41 | 1.30 |       |      | 26    | 7489  | 55.74 | 1.51  |       |      | 30    | 6609 | 49.19 | 1.71  |       |      | 35    | 5707 | 42.48 | 1.98  |       |      | 25    | 7808  | 58.12 | 0.92  |       |       | F 107 | 4    | 39    | 6890 |       |      | 37.61 | 1.05 | F 97  | 4    | 29    | 6816 | 50.73 | 1.06 |       |      | 34    | 5781 | 43.03 | 1.25 |       |      | 39    | 5053 | 37.61 | 1.43 | 46    | 4272 | 31.08 | 1.69 |       |      | 44    | 4540 | 33.78 | 1.59 |       |      |       |      | 54    | 3685 | 27.43 | 1.96 | 58    | 3400 | 25.31 | 2.1  |       |      | 68    | 2923 | 21.76 | 2.5  |       |      |       |      | 77    | 2580 | 19.20 | 2.8  | 53    | 3724 | 27.72 | 1.09 | F 97  | 4    | 66    | 4093 | 22.34 | 0.99 | F 87  | 4    |       |      | 58    | 3383 | 25.18 | 1.19 | 66    | 3001 | 22.34 | 1.35 | 73    | 2723 | 20.27 | 1.48 | 84    | 2340 | 17.42 | 1.73 |       |      | 97    | 2043 | 15.21 | 2.0  | 114   | 1733 | 12.90 | 2.3  | 130   | 1515 | 11.28 | 2.7  | 69    | 2864 | 21.32 | 0.98 | F 87  | 4    | 112   | 1763 | 13.12 | 1.60 | 76    | 2594 | 19.31 | 1.09 | 86    | 2300 | 17.12 | 1.23 | 95    | 2080 | 15.48 | 1.36 | 128   | 1295 | 11.46 | 2.2  | 153   | 1082 | 9.58  | 2.5  | 174   | 956  | 8.46 | 1.50 | 196   | 847  | 7.50  | 1.70 | 217   | 766  | 6.78  | 1.88 | 256   | 650  | 5.75  | 2.2  | 293  | 567  | 5.02  | 2.5  | 350   | 474  | 4.20  | 2.9  |       |      |      |      |       |      |       |      |       |      |       |      |       |      |       |      |       |      |       |      |       |      |       |      |       |      |      |      |       |      |       |      |       |      |       |      |       |      |       |      |       |      |       |      |      |      |       |     |      |      |      |     |      |      |      |      |      |      |      |      |      |     |      |      |
| 153           | 1082       | 9.58     | 2.5                    |             |         | 174           | 956        | 8.46     | 1.50                   |             |         | 196         | 847   | 7.50  | 1.70  | 217         | 766   | 6.78        | 1.88  | 256         | 650   | 5.75        | 2.2   | 293         | 567   | 5.02        | 2.5   | 350         | 474   | 4.20        | 2.9   | <b>22kW</b> |       |             |       |             |       | <b>30kW</b> |       |             |       |             |       | 10          | 19654 | 96.53       | 0.86  | F 157       | 6     | 14          | 19876 |             |       | 108.49      | 0.85  |       |       | F 157       | 4     |        |       |        |       |       |       |        |       | 11    | 17693 |        |       |        |       |       |       | 86.90 | 0.96  | 12     | 16180 | 79.47 | 1.05  | 14     | 14079 | 69.15 | 1.20  | 17    | 12669 | 69.15 | 1.34  | 21    | 11179 | 61.02 | 1.51  | 24    | 9693 | 52.91 | 1.75  | 28     | 8623  | 47.07 | 2.0   | 31     | 8623  | 47.07  | 2.0   | 36     | 7433  | 40.57  | 2.3   | 10     | 19051 | 141.80 | 0.89  | F 157  | 4     |       |      |       |       |       |       |       |      |       |       |        |       |       |       |        |      | 19    | 13924 |        |       | 76.00 | 0.81  |        |      | F 127 | 4     | 12     | 16813 | 125.14 | 1.01  | 14     | 14576 | 108.49 | 1.16  | 15     | 12969 | 96.53  | 1.30  | 17     | 11675 | 86.60  | 1.45  | 18     | 10677 | 79.47 | 1.58  | 21    | 9290  | 69.15 | 1.82  | 24    | 8198  | 61.02 | 2.1   | 28    | 7108 |       |       | 52.91 | 2.4   | 31    | 6324  |       |      |       |       | 47.07 | 2.7   | 36    | 5451  |       |      |       |       | 40.57 | 3.1   | 45    | 4430  |       |      |       |       | 32.97 | 3.8   | 15    | 13399 |       |      |       |       | 99.73 | 0.84  | F 127 | 4     |       |      |       |       | 34    | 7883  | 43.03 | 0.92 |       |      | F 107 | 4     | 17    | 11823 |       |      | 88.00 | 0.95 | 19    | 10211 |       |      | 76.00 | 1.10  | 21    | 9488 |       |      | 70.62 | 1.19  | 23    | 8653  |       |      | 64.41 | 1.30 | 26    | 7489  |       |      | 55.74 | 1.51 | 30    | 6609  |       |      | 49.19 | 1.71  | 35    | 5707  |       |       |       |      | 42.48 | 1.98 |       |      | 25    | 7808 |       |      | 58.12 | 0.92 | F 107 | 4    |       |      | 39    | 6890 | 37.61 | 1.05 |       |      | F 97  | 4    | 29    | 6816 | 50.73 | 1.06 | 34    | 5781 |       |      | 43.03 | 1.25 | 39    | 5053 |       |      | 37.61 | 1.43 | 46    | 4272 | 31.08 | 1.69 | 44    | 4540 | 33.78 | 1.59 |       |      | 54    | 3685 | 27.43 | 1.96 |       |      |       |      | 58    | 3400 | 25.31 | 2.1  | 68    | 2923 | 21.76 | 2.5  |       |      | 77    | 2580 | 19.20 | 2.8  |       |      |       |      | 53    | 3724 | 27.72 | 1.09 | F 97  | 4    | 66    | 4093 | 22.34 | 0.99 | F 87  | 4    | 58    | 3383 | 25.18 | 1.19 |       |      | 66    | 3001 | 22.34 | 1.35 | 73    | 2723 | 20.27 | 1.48 | 84    | 2340 | 17.42 | 1.73 | 97    | 2043 | 15.21 | 2.0  |       |      | 114   | 1733 | 12.90 | 2.3  | 130   | 1515 | 11.28 | 2.7  | 69    | 2864 | 21.32 | 0.98 | F 87  | 4    | 112   | 1763 | 13.12 | 1.60 | 76    | 2594 | 19.31 | 1.09 | 86    | 2300 | 17.12 | 1.23 | 95   | 2080 | 15.48 | 1.36 | 128   | 1295 | 11.46 | 2.2  | 153   | 1082 | 9.58  | 2.5  | 174   | 956  | 8.46 | 1.50 | 196   | 847  | 7.50  | 1.70 | 217   | 766  | 6.78  | 1.88 | 256  | 650  | 5.75  | 2.2  | 293   | 567  | 5.02  | 2.5  | 350   | 474  | 4.20  | 2.9  |       |      |       |      |       |      |       |      |       |      |       |      |      |      |       |      |       |      |       |      |       |      |       |      |       |      |       |      |       |      |      |      |       |     |      |      |      |     |      |      |      |      |      |      |      |      |      |     |      |      |
| 174           | 956        | 8.46     | 1.50                   |             |         | 196           | 847        | 7.50     | 1.70                   |             |         | 217         | 766   | 6.78  | 1.88  | 256         | 650   | 5.75        | 2.2   | 293         | 567   | 5.02        | 2.5   | 350         | 474   | 4.20        | 2.9   | <b>22kW</b> |       |             |       |             |       | <b>30kW</b> |       |             |       |             |       | 10          | 19654 | 96.53       | 0.86  | F 157       | 6     | 14          | 19876 |             |       | 108.49      | 0.85  |             |       | F 157       | 4     |       |       |             |       |        |       |        |       | 11    | 17693 |        |       | 86.90 | 0.96  |        |       |        |       |       |       | 12    | 16180 | 79.47  | 1.05  | 14    | 14079 | 69.15  | 1.20  | 17    | 12669 | 69.15 | 1.34  | 21    | 11179 | 61.02 | 1.51  | 24    | 9693  | 52.91 | 1.75 | 28    | 8623  | 47.07  | 2.0   | 31    | 8623  | 47.07  | 2.0   | 36     | 7433  | 40.57  | 2.3   | 10     | 19051 | 141.80 | 0.89  | F 157  | 4     |        |       |       |      |       |       |       |       |       |      |       |       |        |       |       |       |        |      | 19    | 13924 |        |       | 76.00 | 0.81  |        |      |       |       | F 127  | 4     | 12     | 16813 | 125.14 | 1.01  | 14     | 14576 | 108.49 | 1.16  | 15     | 12969 | 96.53  | 1.30  | 17     | 11675 | 86.60  | 1.45  | 18    | 10677 | 79.47 | 1.58  | 21    | 9290  | 69.15 | 1.82  | 24    | 8198  | 61.02 | 2.1  |       |       | 28    | 7108  | 52.91 | 2.4   |       |      |       |       | 31    | 6324  | 47.07 | 2.7   |       |      |       |       | 36    | 5451  | 40.57 | 3.1   |       |      |       |       | 45    | 4430  | 32.97 | 3.8   |       |      |       |       | 15    | 13399 |       |       |       |      |       |       | 99.73 | 0.84  | F 127 | 4    |       |      |       |       | 34    | 7883  |       |      | 43.03 | 0.92 | F 107 | 4     |       |      | 17    | 11823 | 88.00 | 0.95 |       |      | 19    | 10211 | 76.00 | 1.10  |       |      | 21    | 9488 | 70.62 | 1.19  |       |      | 23    | 8653 | 64.41 | 1.30  |       |      | 26    | 7489  | 55.74 | 1.51  |       |       |       |      | 30    | 6609 |       |      | 49.19 | 1.71 |       |      | 35    | 5707 |       |      |       |      | 42.48 | 1.98 | 25    | 7808 |       |      |       |      | 58.12 | 0.92 | F 107 | 4    | 39    | 6890 |       |      | 37.61 | 1.05 | F 97  | 4    |       |      | 29    | 6816 | 50.73 | 1.06 | 34    | 5781 | 43.03 | 1.25 | 39    | 5053 |       |      | 37.61 | 1.43 | 46    | 4272 |       |      | 31.08 | 1.69 | 44    | 4540 | 33.78 | 1.59 | 54    | 3685 | 27.43 | 1.96 |       |      | 58    | 3400 | 25.31 | 2.1  |       |      |       |      | 68    | 2923 | 21.76 | 2.5  |       |      | 77    | 2580 | 19.20 | 2.8  |       |      | 53    | 3724 | 27.72 | 1.09 |       |      | F 97  | 4    | 66    | 4093 | 22.34 | 0.99 | F 87  | 4    | 58    | 3383 | 25.18 | 1.19 | 66    | 3001 | 22.34 | 1.35 |       |      | 73    | 2723 | 20.27 | 1.48 | 84    | 2340 | 17.42 | 1.73 | 97    | 2043 | 15.21 | 2.0  |       |      | 114   | 1733 | 12.90 | 2.3  | 130   | 1515 | 11.28 | 2.7  | 69    | 2864 | 21.32 | 0.98 | F 87 | 4    | 112   | 1763 | 13.12 | 1.60 | 76    | 2594 | 19.31 | 1.09 | 86    | 2300 | 17.12 | 1.23 | 95   | 2080 | 15.48 | 1.36 | 128   | 1295 | 11.46 | 2.2  | 153   | 1082 | 9.58 | 2.5  | 174   | 956  | 8.46  | 1.50 | 196   | 847  | 7.50  | 1.70 | 217   | 766  | 6.78  | 1.88 | 256   | 650  | 5.75  | 2.2  | 293   | 567  | 5.02  | 2.5  | 350   | 474  | 4.20 | 2.9  |       |      |       |      |       |      |       |      |       |      |       |      |       |      |       |      |      |      |       |     |      |      |      |     |      |      |      |      |      |      |      |      |      |     |      |      |
| 196           | 847        | 7.50     | 1.70                   |             |         | 217           | 766        | 6.78     | 1.88                   |             |         | 256         | 650   | 5.75  | 2.2   | 293         | 567   | 5.02        | 2.5   | 350         | 474   | 4.20        | 2.9   | <b>22kW</b> |       |             |       |             |       | <b>30kW</b> |       |             |       |             |       | 10          | 19654 | 96.53       | 0.86  | F 157       | 6     | 14          | 19876 |             |       | 108.49      | 0.85  |             |       | F 157       | 4     |             |       |             |       |       |       |             |       | 11     | 17693 |        |       | 86.90 | 0.96  |        |       | 12    | 16180 |        |       |        |       |       |       | 79.47 | 1.05  | 14     | 14079 | 69.15 | 1.20  | 17     | 12669 | 69.15 | 1.34  | 21    | 11179 | 61.02 | 1.51  | 24    | 9693  | 52.91 | 1.75  | 28    | 8623 | 47.07 | 2.0   | 31     | 8623  | 47.07 | 2.0   | 36     | 7433  | 40.57  | 2.3   | 10     | 19051 | 141.80 | 0.89  | F 157  | 4     |        |       |        |       |       |      |       |       |       |       |       |      |       |       |        |       |       |       |        |      | 19    | 13924 |        |       | 76.00 | 0.81  |        |      |       |       |        |       | F 127  | 4     | 12     | 16813 | 125.14 | 1.01  | 14     | 14576 | 108.49 | 1.16  | 15     | 12969 | 96.53  | 1.30  | 17     | 11675 | 86.60 | 1.45  | 18    | 10677 | 79.47 | 1.58  | 21    | 9290  | 69.15 | 1.82  | 24    | 8198 |       |       | 61.02 | 2.1   | 28    | 7108  |       |      |       |       | 52.91 | 2.4   | 31    | 6324  |       |      |       |       | 47.07 | 2.7   | 36    | 5451  |       |      |       |       | 40.57 | 3.1   | 45    | 4430  |       |      |       |       | 32.97 | 3.8   |       |       |       |      |       |       | 15    | 13399 |       |      |       |      |       |       | 99.73 | 0.84  |       |      | F 127 | 4    |       |       |       |      | 34    | 7883  | 43.03 | 0.92 |       |      | F 107 | 4     | 17    | 11823 |       |      | 88.00 | 0.95 | 19    | 10211 |       |      | 76.00 | 1.10 | 21    | 9488  |       |      | 70.62 | 1.19  | 23    | 8653  |       |       |       |      | 64.41 | 1.30 |       |      | 26    | 7489 |       |      | 55.74 | 1.51 |       |      |       |      | 30    | 6609 | 49.19 | 1.71 |       |      |       |      | 35    | 5707 |       |      | 42.48 | 1.98 |       |      | 25    | 7808 |       |      |       |      | 58.12 | 0.92 | F 107 | 4    | 39    | 6890 | 37.61 | 1.05 | F 97  | 4    |       |      | 29    | 6816 | 50.73 | 1.06 |       |      | 34    | 5781 | 43.03 | 1.25 | 39    | 5053 | 37.61 | 1.43 | 46    | 4272 |       |      | 31.08 | 1.69 | 44    | 4540 |       |      | 33.78 | 1.59 | 54    | 3685 | 27.43 | 1.96 |       |      | 58    | 3400 | 25.31 | 2.1  |       |      | 68    | 2923 | 21.76 | 2.5  |       |      |       |      | 77    | 2580 | 19.20 | 2.8  |       |      | 53    | 3724 | 27.72 | 1.09 | F 97  | 4    | 66    | 4093 |       |      | 22.34 | 0.99 | F 87  | 4    | 58    | 3383 | 25.18 | 1.19 | 66    | 3001 | 22.34 | 1.35 |       |      | 73    | 2723 | 20.27 | 1.48 | 84    | 2340 | 17.42 | 1.73 | 97    | 2043 | 15.21 | 2.0  |      |      | 114   | 1733 | 12.90 | 2.3  | 130   | 1515 | 11.28 | 2.7  | 69    | 2864 | 21.32 | 0.98 | F 87 | 4    | 112   | 1763 | 13.12 | 1.60 | 76    | 2594 | 19.31 | 1.09 | 86   | 2300 | 17.12 | 1.23 | 95    | 2080 | 15.48 | 1.36 | 128   | 1295 | 11.46 | 2.2  | 153   | 1082 | 9.58  | 2.5  | 174   | 956  | 8.46  | 1.50 | 196   | 847  | 7.50  | 1.70 | 217  | 766  | 6.78  | 1.88 | 256   | 650  | 5.75  | 2.2  | 293   | 567  | 5.02  | 2.5  | 350   | 474  | 4.20  | 2.9  |       |      |      |      |       |     |      |      |      |     |      |      |      |      |      |      |      |      |      |     |      |      |
| 217           | 766        | 6.78     | 1.88                   |             |         | 256           | 650        | 5.75     | 2.2                    |             |         | 293         | 567   | 5.02  | 2.5   | 350         | 474   | 4.20        | 2.9   | <b>22kW</b> |       |             |       |             |       | <b>30kW</b> |       |             |       |             |       | 10          | 19654 | 96.53       | 0.86  | F 157       | 6     | 14          | 19876 |             |       | 108.49      | 0.85  |             |       | F 157       | 4     |             |       |             |       |             |       |             |       | 11    | 17693 |             |       | 86.90  | 0.96  |        |       | 12    | 16180 |        |       | 79.47 | 1.05  |        |       |        |       |       |       | 14    | 14079 | 69.15  | 1.20  | 17    | 12669 | 69.15  | 1.34  | 21    | 11179 | 61.02 | 1.51  | 24    | 9693  | 52.91 | 1.75  | 28    | 8623  | 47.07 | 2.0  | 31    | 8623  | 47.07  | 2.0   | 36    | 7433  | 40.57  | 2.3   | 10     | 19051 | 141.80 | 0.89  | F 157  | 4     |        |       |        |       |        |       |       |      |       |       |       |       |       |      |       |       |        |       |       |       |        |      | 19    | 13924 |        |       | 76.00 | 0.81  |        |      |       |       |        |       |        |       | F 127  | 4     | 12     | 16813 | 125.14 | 1.01  | 14     | 14576 | 108.49 | 1.16  | 15     | 12969 | 96.53  | 1.30  | 17    | 11675 | 86.60 | 1.45  | 18    | 10677 | 79.47 | 1.58  | 21    | 9290  | 69.15 | 1.82 | 24    | 8198  | 61.02 | 2.1   | 28    | 7108  |       |      |       |       | 52.91 | 2.4   | 31    | 6324  |       |      |       |       | 47.07 | 2.7   | 36    | 5451  |       |      |       |       | 40.57 | 3.1   | 45    | 4430  |       |      |       |       | 32.97 | 3.8   |       |       |       |      |       |       | 15    | 13399 |       |      |       |      |       |       | 99.73 | 0.84  |       |      |       |      |       |       |       |      | F 127 | 4     | 34    | 7883 |       |      |       |       | 43.03 | 0.92  |       |      | F 107 | 4    | 17    | 11823 |       |      | 88.00 | 0.95 | 19    | 10211 |       |      | 76.00 | 1.10  | 21    | 9488  | 70.62 | 1.19  |       |      | 23    | 8653 |       |      | 64.41 | 1.30 |       |      | 26    | 7489 |       |      |       |      | 55.74 | 1.51 | 30    | 6609 |       |      |       |      | 49.19 | 1.71 |       |      | 35    | 5707 |       |      | 42.48 | 1.98 |       |      |       |      | 25    | 7808 |       |      | 58.12 | 0.92 | F 107 | 4    |       |      |       |      | 39    | 6890 | 37.61 | 1.05 |       |      | F 97  | 4    | 29    | 6816 | 50.73 | 1.06 | 34    | 5781 | 43.03 | 1.25 |       |      | 39    | 5053 | 37.61 | 1.43 |       |      | 46    | 4272 | 31.08 | 1.69 | 44    | 4540 |       |      | 33.78 | 1.59 | 54    | 3685 |       |      | 27.43 | 1.96 | 58    | 3400 | 25.31 | 2.1  |       |      | 68    | 2923 | 21.76 | 2.5  |       |      | 77    | 2580 | 19.20 | 2.8  |       |      | 53    | 3724 |       |      | 27.72 | 1.09 |       |      | F 97  | 4    | 66    | 4093 | 22.34 | 0.99 | F 87  | 4    |       |      | 58    | 3383 | 25.18 | 1.19 | 66    | 3001 | 22.34 | 1.35 | 73    | 2723 | 20.27 | 1.48 |      |      | 84    | 2340 | 17.42 | 1.73 | 97    | 2043 | 15.21 | 2.0  | 114   | 1733 | 12.90 | 2.3  |      |      | 130   | 1515 | 11.28 | 2.7  | 69    | 2864 | 21.32 | 0.98 | F 87 | 4    | 112   | 1763 | 13.12 | 1.60 | 76    | 2594 | 19.31 | 1.09 | 86    | 2300 | 17.12 | 1.23 | 95    | 2080 | 15.48 | 1.36 | 128   | 1295 | 11.46 | 2.2  | 153   | 1082 | 9.58 | 2.5  | 174   | 956  | 8.46  | 1.50 | 196   | 847  | 7.50  | 1.70 | 217   | 766  | 6.78  | 1.88 | 256   | 650  | 5.75  | 2.2  | 293  | 567  | 5.02  | 2.5 | 350  | 474  | 4.20 | 2.9 |      |      |      |      |      |      |      |      |      |     |      |      |
| 256           | 650        | 5.75     | 2.2                    |             |         | 293           | 567        | 5.02     | 2.5                    |             |         | 350         | 474   | 4.20  | 2.9   | <b>22kW</b> |       |             |       |             |       | <b>30kW</b> |       |             |       |             |       | 10          | 19654 | 96.53       | 0.86  | F 157       | 6     | 14          | 19876 |             |       | 108.49      | 0.85  |             |       | F 157       | 4     |             |       |             |       |             |       |             |       | 11          | 17693 |             |       | 86.90 | 0.96  |             |       | 12     | 16180 |        |       | 79.47 | 1.05  |        |       | 14    | 14079 |        |       |        |       |       |       | 69.15 | 1.20  | 17     | 12669 | 69.15 | 1.34  | 21     | 11179 | 61.02 | 1.51  | 24    | 9693  | 52.91 | 1.75  | 28    | 8623  | 47.07 | 2.0   | 31    | 8623 | 47.07 | 2.0   | 36     | 7433  | 40.57 | 2.3   | 10     | 19051 | 141.80 | 0.89  | F 157  | 4     |        |       |        |       |        |       |        |       |       |      |       |       |       |       |       |      |       |       |        |       |       |       |        |      | 19    | 13924 |        |       | 76.00 | 0.81  |        |      |       |       |        |       |        |       |        |       | F 127  | 4     | 12     | 16813 | 125.14 | 1.01  | 14     | 14576 | 108.49 | 1.16  | 15     | 12969 | 96.53 | 1.30  | 17    | 11675 | 86.60 | 1.45  | 18    | 10677 | 79.47 | 1.58  | 21    | 9290 | 69.15 | 1.82  | 24    | 8198  | 61.02 | 2.1   |       |      | 28    | 7108  | 52.91 | 2.4   | 31    | 6324  |       |      |       |       | 47.07 | 2.7   | 36    | 5451  |       |      |       |       | 40.57 | 3.1   | 45    | 4430  |       |      |       |       | 32.97 | 3.8   |       |       |       |      |       |       | 15    | 13399 |       |      |       |      |       |       | 99.73 | 0.84  |       |      |       |      |       |       |       |      |       |       | F 127 | 4    |       |      |       |       | 34    | 7883  |       |      |       |      | 43.03 | 0.92  |       |      | F 107 | 4    | 17    | 11823 |       |      | 88.00 | 0.95  | 19    | 10211 | 76.00 | 1.10  |       |      | 21    | 9488 |       |      | 70.62 | 1.19 |       |      | 23    | 8653 |       |      | 64.41 | 1.30 | 26    | 7489 | 55.74 | 1.51 |       |      |       |      | 30    | 6609 |       |      | 49.19 | 1.71 |       |      | 35    | 5707 |       |      |       |      | 42.48 | 1.98 |       |      | 25    | 7808 |       |      |       |      |       |      | 58.12 | 0.92 | F 107 | 4    |       |      |       |      | 39    | 6890 | 37.61 | 1.05 | F 97  | 4    | 29    | 6816 |       |      | 50.73 | 1.06 | 34    | 5781 |       |      | 43.03 | 1.25 | 39    | 5053 | 37.61 | 1.43 |       |      | 46    | 4272 | 31.08 | 1.69 |       |      | 44    | 4540 | 33.78 | 1.59 | 54    | 3685 |       |      | 27.43 | 1.96 | 58    | 3400 |       |      | 25.31 | 2.1  | 68    | 2923 |       |      | 21.76 | 2.5  | 77    | 2580 | 19.20 | 2.8  |       |      |       |      | 53    | 3724 | 27.72 | 1.09 |       |      |       |      | F 97  | 4    | 66    | 4093 | 22.34 | 0.99 | F 87  | 4    | 58    | 3383 | 25.18 | 1.19 |      |      | 66    | 3001 | 22.34 | 1.35 | 73    | 2723 | 20.27 | 1.48 | 84    | 2340 | 17.42 | 1.73 |      |      | 97    | 2043 | 15.21 | 2.0  | 114   | 1733 | 12.90 | 2.3  |      |      | 130   | 1515 | 11.28 | 2.7  | 69    | 2864 | 21.32 | 0.98 | F 87  | 4    | 112   | 1763 | 13.12 | 1.60 | 76    | 2594 | 19.31 | 1.09 | 86    | 2300 | 17.12 | 1.23 | 95   | 2080 | 15.48 | 1.36 | 128   | 1295 | 11.46 | 2.2  | 153   | 1082 | 9.58  | 2.5  | 174   | 956  | 8.46  | 1.50 | 196   | 847  | 7.50 | 1.70 | 217   | 766 | 6.78 | 1.88 | 256  | 650 | 5.75 | 2.2  | 293  | 567  | 5.02 | 2.5  | 350  | 474  | 4.20 | 2.9 |      |      |
| 293           | 567        | 5.02     | 2.5                    |             |         | 350           | 474        | 4.20     | 2.9                    |             |         | <b>22kW</b> |       |       |       |             |       | <b>30kW</b> |       |             |       |             |       | 10          | 19654 | 96.53       | 0.86  | F 157       | 6     | 14          | 19876 |             |       | 108.49      | 0.85  |             |       | F 157       | 4     |             |       |             |       |             |       |             |       | 11          | 17693 |             |       | 86.90       | 0.96  |             |       | 12    | 16180 |             |       | 79.47  | 1.05  |        |       | 14    | 14079 |        |       | 69.15 | 1.20  |        |       |        |       |       |       | 17    | 12669 | 69.15  | 1.34  | 21    | 11179 | 61.02  | 1.51  | 24    | 9693  | 52.91 | 1.75  | 28    | 8623  | 47.07 | 2.0   | 31    | 8623  | 47.07 | 2.0  | 36    | 7433  | 40.57  | 2.3   | 10    | 19051 | 141.80 | 0.89  | F 157  | 4     |        |       |        |       |        |       |        |       |        |       |       |      |       |       |       |       |       |      |       |       |        |       |       |       |        |      | 19    | 13924 |        |       | 76.00 | 0.81  |        |      |       |       |        |       |        |       |        |       |        |       | F 127  | 4     | 12     | 16813 | 125.14 | 1.01  | 14     | 14576 | 108.49 | 1.16  | 15    | 12969 | 96.53 | 1.30  | 17    | 11675 | 86.60 | 1.45  | 18    | 10677 | 79.47 | 1.58 | 21    | 9290  | 69.15 | 1.82  | 24    | 8198  |       |      | 61.02 | 2.1   | 28    | 7108  | 52.91 | 2.4   |       |      | 31    | 6324  | 47.07 | 2.7   | 36    | 5451  |       |      |       |       | 40.57 | 3.1   | 45    | 4430  |       |      |       |       | 32.97 | 3.8   |       |       |       |      | 15    | 13399 | 99.73 | 0.84  |       |      |       |      |       |       | F 127 | 4     |       |      |       |      |       |       |       |      |       |       |       |      |       |      |       |       | 34    | 7883  |       |      |       |      | 43.03 | 0.92  |       |      |       |      | F 107 | 4     |       |      | 17    | 11823 | 88.00 | 0.95  | 19    | 10211 |       |      | 76.00 | 1.10 |       |      | 21    | 9488 |       |      | 70.62 | 1.19 |       |      | 23    | 8653 | 64.41 | 1.30 | 26    | 7489 |       |      |       |      | 55.74 | 1.51 |       |      | 30    | 6609 | 49.19 | 1.71 | 35    | 5707 |       |      |       |      | 42.48 | 1.98 |       |      | 25    | 7808 |       |      |       |      |       |      | 58.12 | 0.92 |       |      |       |      |       |      | F 107 | 4    | 39    | 6890 |       |      | 37.61 | 1.05 |       |      | F 97  | 4    | 29    | 6816 |       |      | 50.73 | 1.06 | 34    | 5781 | 43.03 | 1.25 |       |      | 39    | 5053 | 37.61 | 1.43 |       |      | 46    | 4272 | 31.08 | 1.69 | 44    | 4540 |       |      | 33.78 | 1.59 | 54    | 3685 |       |      | 27.43 | 1.96 | 58    | 3400 |       |      | 25.31 | 2.1  | 68    | 2923 | 21.76 | 2.5  |       |      |       |      | 77    | 2580 | 19.20 | 2.8  |       |      | 53    | 3724 |       |      | 27.72 | 1.09 | F 97  | 4    |       |      | 66    | 4093 | 22.34 | 0.99 |      |      | F 87  | 4    | 58    | 3383 | 25.18 | 1.19 | 66    | 3001 | 22.34 | 1.35 | 73    | 2723 |      |      | 20.27 | 1.48 | 84    | 2340 | 17.42 | 1.73 | 97    | 2043 |      |      | 15.21 | 2.0  | 114   | 1733 | 12.90 | 2.3  | 130   | 1515 |       |      | 11.28 | 2.7  | 69    | 2864 | 21.32 | 0.98 | F 87  | 4    | 112   | 1763 | 13.12 | 1.60 | 76   | 2594 | 19.31 | 1.09 | 86    | 2300 | 17.12 | 1.23 | 95    | 2080 | 15.48 | 1.36 | 128   | 1295 | 11.46 | 2.2  | 153   | 1082 | 9.58 | 2.5  | 174   | 956 | 8.46 | 1.50 | 196  | 847 | 7.50 | 1.70 | 217  | 766  | 6.78 | 1.88 | 256  | 650  | 5.75 | 2.2 | 293  | 567  |
| 350           | 474        | 4.20     | 2.9                    |             |         | <b>22kW</b>   |            |          |                        |             |         | <b>30kW</b> |       |       |       |             |       | 10          | 19654 | 96.53       | 0.86  | F 157       | 6     | 14          | 19876 | 108.49      | 0.85  |             |       | F 157       | 4     |             |       | 11          | 17693 |             |       |             |       |             |       |             |       | 86.90       | 0.96  |             |       | 12          | 16180 |             |       | 79.47       | 1.05  |             |       | 14    | 14079 |             |       | 69.15  | 1.20  |        |       | 17    | 12669 |        |       | 69.15 | 1.34  |        |       |        |       |       |       | 21    | 11179 | 61.02  | 1.51  | 24    | 9693  | 52.91  | 1.75  | 28    | 8623  | 47.07 | 2.0   | 31    | 8623  | 47.07 | 2.0   | 36    | 7433  | 40.57 | 2.3  | 10    | 19051 | 141.80 | 0.89  | F 157 | 4     | 19     | 13924 |        |       |        |       |        |       |        |       |        |       |        |       |       |      |       |       |       |       |       |      |       |       |        |       |       |       |        |      | 76.00 | 0.81  |        |       | F 127 | 4     |        |      |       |       |        |       |        |       |        |       |        |       |        |       | 12     | 16813 | 125.14 | 1.01  | 14     | 14576 | 108.49 | 1.16  | 15    | 12969 | 96.53 | 1.30  | 17    | 11675 | 86.60 | 1.45  | 18    | 10677 | 79.47 | 1.58 | 21    | 9290  | 69.15 | 1.82  | 24    | 8198  |       |      | 61.02 | 2.1   | 28    | 7108  | 52.91 | 2.4   |       |      | 31    | 6324  | 47.07 | 2.7   | 36    | 5451  |       |      | 40.57 | 3.1   | 45    | 4430  | 32.97 | 3.8   |       |      |       |       | 15    | 13399 |       |       |       |      | 99.73 | 0.84  | F 127 | 4     |       |      |       |      |       |       |       |       | 34    | 7883 |       |      |       |       |       |      |       |       |       |      |       |      |       |       | 43.03 | 0.92  |       |      |       |      | F 107 | 4     |       |      |       |      |       |       |       |      | 17    | 11823 | 88.00 | 0.95  | 19    | 10211 |       |      | 76.00 | 1.10 |       |      | 21    | 9488 |       |      | 70.62 | 1.19 |       |      | 23    | 8653 | 64.41 | 1.30 | 26    | 7489 |       |      |       |      | 55.74 | 1.51 |       |      | 30    | 6609 | 49.19 | 1.71 | 35    | 5707 |       |      |       |      | 42.48 | 1.98 |       |      | 25    | 7808 |       |      |       |      | 58.12 | 0.92 | F 107 | 4    |       |      |       |      |       |      |       |      | 39    | 6890 |       |      | 37.61 | 1.05 |       |      |       |      | F 97  | 4    |       |      | 29    | 6816 | 50.73 | 1.06 | 34    | 5781 |       |      | 43.03 | 1.25 | 39    | 5053 |       |      | 37.61 | 1.43 | 46    | 4272 | 31.08 | 1.69 |       |      | 44    | 4540 | 33.78 | 1.59 |       |      | 54    | 3685 | 27.43 | 1.96 |       |      | 58    | 3400 | 25.31 | 2.1  | 68    | 2923 |       |      |       |      | 21.76 | 2.5  | 77    | 2580 |       |      | 19.20 | 2.8  |       |      | 53    | 3724 |       |      |       |      | 27.72 | 1.09 | F 97  | 4    | 66   | 4093 |       |      | 22.34 | 0.99 | F 87  | 4    | 58    | 3383 | 25.18 | 1.19 | 66    | 3001 |      |      | 22.34 | 1.35 | 73    | 2723 | 20.27 | 1.48 | 84    | 2340 |      |      | 17.42 | 1.73 | 97    | 2043 | 15.21 | 2.0  | 114   | 1733 |       |      | 12.90 | 2.3  | 130   | 1515 | 11.28 | 2.7  |       |      | 69    | 2864 | 21.32 | 0.98 | F 87 | 4    | 112   | 1763 | 13.12 | 1.60 | 76    | 2594 | 19.31 | 1.09 | 86    | 2300 | 17.12 | 1.23 | 95    | 2080 | 15.48 | 1.36 | 128  | 1295 | 11.46 | 2.2 | 153  | 1082 | 9.58 | 2.5 | 174  | 956  | 8.46 | 1.50 | 196  | 847  | 7.50 | 1.70 | 217  | 766 | 6.78 | 1.88 |
| <b>22kW</b>   |            |          |                        |             |         | <b>30kW</b>   |            |          |                        |             |         |             |       |       |       |             |       |             |       |             |       |             |       |             |       |             |       |             |       |             |       |             |       |             |       |             |       |             |       |             |       |             |       |             |       |             |       |             |       |             |       |             |       |             |       |       |       |             |       |        |       |        |       |       |       |        |       |       |       |        |       |        |       |       |       |       |       |        |       |       |       |        |       |       |       |       |       |       |       |       |       |       |       |       |      |       |       |        |       |       |       |        |       |        |       |        |       |        |       |        |       |        |       |        |       |       |      |       |       |       |       |       |      |       |       |        |       |       |       |        |      |       |       |        |       |       |       |        |      |       |       |        |       |        |       |        |       |        |       |        |       |        |       |        |       |        |       |        |       |       |       |       |       |       |       |       |       |       |       |       |      |       |       |       |       |       |       |       |      |       |       |       |       |       |       |       |      |       |       |       |       |       |       |       |      |       |       |       |       |       |       |       |      |       |       |       |       |       |       |       |      |       |       |       |       |       |      |       |      |       |       |       |       |       |      |       |      |       |       |       |      |       |       |       |      |       |      |       |       |       |       |       |      |       |      |       |       |       |      |       |      |       |       |       |      |       |       |       |       |       |       |       |      |       |      |       |      |       |      |       |      |       |      |       |      |       |      |       |      |       |      |       |      |       |      |       |      |       |      |       |      |       |      |       |      |       |      |       |      |       |      |       |      |       |      |       |      |       |      |       |      |       |      |       |      |       |      |       |      |       |      |       |      |       |      |       |      |       |      |       |      |       |      |       |      |       |      |       |      |       |      |       |      |       |      |       |      |       |      |       |      |       |      |       |      |       |      |       |      |       |      |       |      |       |      |       |      |       |      |       |      |       |      |       |      |       |      |       |      |       |      |       |      |       |      |       |      |       |      |       |      |       |      |       |      |       |      |       |      |      |      |       |      |       |      |       |      |       |      |       |      |       |      |      |      |       |      |       |      |       |      |       |      |      |      |       |      |       |      |       |      |       |      |       |      |       |      |       |      |       |      |       |      |       |      |       |      |      |      |       |      |       |      |       |      |       |      |       |      |       |      |       |      |       |      |      |      |       |     |      |      |      |     |      |      |      |      |      |      |      |      |      |     |      |      |
| 10            | 19654      | 96.53    | 0.86                   | F 157       | 6       | 14            | 19876      | 108.49   | 0.85                   | F 157       | 4       |             |       |       |       |             |       |             |       |             |       |             |       |             |       |             |       |             |       |             |       |             |       |             |       |             |       |             |       |             |       |             |       |             |       |             |       |             |       |             |       |             |       |             |       |       |       |             |       |        |       |        |       |       |       |        |       |       |       |        |       |        |       |       |       |       |       |        |       |       |       |        |       |       |       |       |       |       |       |       |       |       |       |       |      |       |       |        |       |       |       |        |       |        |       |        |       |        |       |        |       |        |       |        |       |       |      |       |       |       |       |       |      |       |       |        |       |       |       |        |      |       |       |        |       |       |       |        |      |       |       |        |       |        |       |        |       |        |       |        |       |        |       |        |       |        |       |        |       |       |       |       |       |       |       |       |       |       |       |       |      |       |       |       |       |       |       |       |      |       |       |       |       |       |       |       |      |       |       |       |       |       |       |       |      |       |       |       |       |       |       |       |      |       |       |       |       |       |       |       |      |       |       |       |       |       |      |       |      |       |       |       |       |       |      |       |      |       |       |       |      |       |       |       |      |       |      |       |       |       |       |       |      |       |      |       |       |       |      |       |      |       |       |       |      |       |       |       |       |       |       |       |      |       |      |       |      |       |      |       |      |       |      |       |      |       |      |       |      |       |      |       |      |       |      |       |      |       |      |       |      |       |      |       |      |       |      |       |      |       |      |       |      |       |      |       |      |       |      |       |      |       |      |       |      |       |      |       |      |       |      |       |      |       |      |       |      |       |      |       |      |       |      |       |      |       |      |       |      |       |      |       |      |       |      |       |      |       |      |       |      |       |      |       |      |       |      |       |      |       |      |       |      |       |      |       |      |       |      |       |      |       |      |       |      |       |      |       |      |       |      |       |      |       |      |       |      |       |      |       |      |       |      |       |      |       |      |       |      |      |      |       |      |       |      |       |      |       |      |       |      |       |      |      |      |       |      |       |      |       |      |       |      |      |      |       |      |       |      |       |      |       |      |       |      |       |      |       |      |       |      |       |      |       |      |       |      |      |      |       |      |       |      |       |      |       |      |       |      |       |      |       |      |       |      |      |      |       |     |      |      |      |     |      |      |      |      |      |      |      |      |      |     |      |      |
| 11            | 17693      | 86.90    | 0.96                   |             |         | 12            | 16180      | 79.47    | 1.05                   |             |         | 14          | 14079 | 69.15 | 1.20  | 17          | 12669 | 69.15       | 1.34  | 21          | 11179 |             |       | 61.02       | 1.51  | 24          | 9693  |             |       |             |       | 52.91       | 1.75  | 28          | 8623  | 47.07       | 2.0   |             |       | 31          | 8623  |             |       | 47.07       | 2.0   |             |       | 36          | 7433  |             |       | 40.57       | 2.3   |             |       | 10    | 19051 |             |       | 141.80 | 0.89  |        |       | F 157 | 4     |        |       | 19    | 13924 |        |       | 76.00  | 0.81  | F 127 | 4     | 12    | 16813 | 125.14 | 1.01  | 14    | 14576 | 108.49 | 1.16  | 15    | 12969 | 96.53 | 1.30  | 17    | 11675 | 86.60 | 1.45  | 18    | 10677 | 79.47 | 1.58 | 21    | 9290  | 69.15  | 1.82  |       |       | 24     | 8198  |        |       |        |       |        |       |        |       |        |       |        |       | 61.02 | 2.1  | 28    | 7108  |       |       | 52.91 | 2.4  |       |       | 31     | 6324  |       |       |        |      | 47.07 | 2.7   |        |       |       |       |        |      |       |       |        |       |        |       |        |       |        |       |        |       | 36     | 5451  | 40.57  | 3.1   | 45     | 4430  | 32.97  | 3.8   | 15    | 13399 | 99.73 | 0.84  | F 127 | 4     | 34    | 7883  | 43.03 | 0.92  | F 107 | 4    | 17    | 11823 | 88.00 | 0.95  | 19    | 10211 | 76.00 | 1.10 | 21    | 9488  | 70.62 | 1.19  | 23    | 8653  | 64.41 | 1.30 | 26    | 7489  | 55.74 | 1.51  | 30    | 6609  |       |      | 49.19 | 1.71  | 35    | 5707  | 42.48 | 1.98  |       |      | 25    | 7808  | 58.12 | 0.92  | F 107 | 4     |       |      | 39    | 6890  |       |       | 37.61 | 1.05 | F 97  | 4    |       |       |       |       | 29    | 6816 |       |      |       |       | 50.73 | 1.06 |       |       |       |      | 34    | 5781 |       |       | 43.03 | 1.25  |       |      |       |      |       |       | 39    | 5053 |       |      |       |       |       |      | 37.61 | 1.43  | 46    | 4272  | 31.08 | 1.69  | 44    | 4540 | 33.78 | 1.59 | 54    | 3685 | 27.43 | 1.96 |       |      | 58    | 3400 |       |      | 25.31 | 2.1  | 68    | 2923 | 21.76 | 2.5  | 77    | 2580 |       |      | 19.20 | 2.8  |       |      | 53    | 3724 | 27.72 | 1.09 | F 97  | 4    |       |      |       |      | 66    | 4093 |       |      | 22.34 | 0.99 |       |      |       |      | F 87  | 4    |       |      |       |      |       |      |       |      |       |      | 58    | 3383 |       |      | 25.18 | 1.19 | 66    | 3001 |       |      |       |      |       |      | 22.34 | 1.35 | 73    | 2723 | 20.27 | 1.48 | 84    | 2340 | 17.42 | 1.73 | 97    | 2043 |       |      | 15.21 | 2.0  | 114   | 1733 | 12.90 | 2.3  | 130   | 1515 | 11.28 | 2.7  | 69    | 2864 |       |      | 21.32 | 0.98 | F 87  | 4    |       |      | 112   | 1763 | 13.12 | 1.60 | 76    | 2594 |       |      |       |      | 19.31 | 1.09 | 86    | 2300 |       |      | 17.12 | 1.23 |       |      | 95    | 2080 |       |      |       |      | 15.48 | 1.36 |       |      | 128  | 1295 |       |      | 11.46 | 2.2  |       |      | 153   | 1082 | 9.58  | 2.5  | 174   | 956  | 8.46 | 1.50 | 196   | 847  | 7.50  | 1.70 | 217   | 766  | 6.78  | 1.88 | 256  | 650  | 5.75  | 2.2  | 293   | 567  | 5.02  | 2.5  | 350   | 474  | 4.20  | 2.9  |       |      |       |      |       |      |       |      |       |      |       |      |      |      |       |      |       |      |       |      |       |      |       |      |       |      |       |      |       |      |      |      |       |     |      |      |      |     |      |      |      |      |      |      |      |      |      |     |      |      |
| 12            | 16180      | 79.47    | 1.05                   |             |         | 14            | 14079      | 69.15    | 1.20                   |             |         | 17          | 12669 | 69.15 | 1.34  | 21          | 11179 | 61.02       | 1.51  | 24          | 9693  |             |       | 52.91       | 1.75  | 28          | 8623  | 47.07       | 2.0   |             |       | 31          | 8623  | 47.07       | 2.0   | 36          | 7433  |             |       | 40.57       | 2.3   |             |       | 10          | 19051 |             |       | 141.80      | 0.89  |             |       | F 157       | 4     |             |       | 19    | 13924 |             |       | 76.00  | 0.81  |        |       |       |       |        |       | F 127 | 4     | 12     | 16813 | 125.14 | 1.01  |       |       | 14    | 14576 | 108.49 | 1.16  | 15    | 12969 | 96.53  | 1.30  | 17    | 11675 | 86.60 | 1.45  | 18    | 10677 | 79.47 | 1.58  | 21    | 9290  | 69.15 | 1.82 | 24    | 8198  | 61.02  | 2.1   |       |       | 28     | 7108  |        |       |        |       |        |       |        |       |        |       |        |       | 52.91 | 2.4  | 31    | 6324  | 47.07 | 2.7   | 36    | 5451 |       |       | 40.57  | 3.1   |       |       | 45     | 4430 | 32.97 | 3.8   |        |       |       |       |        |      |       |       |        |       |        |       |        |       |        |       |        |       | 15     | 13399 | 99.73  | 0.84  | F 127  | 4     | 34     | 7883  | 43.03 | 0.92  | F 107 | 4     |       |       | 17    | 11823 | 88.00 | 0.95  |       |      | 19    | 10211 | 76.00 | 1.10  | 21    | 9488  | 70.62 | 1.19 | 23    | 8653  | 64.41 | 1.30  | 26    | 7489  | 55.74 | 1.51 | 30    | 6609  | 49.19 | 1.71  | 35    | 5707  | 42.48 | 1.98 | 25    | 7808  | 58.12 | 0.92  | F 107 | 4     |       |      | 39    | 6890  | 37.61 | 1.05  |       |       |       |      | F 97  | 4     |       |       | 29    | 6816 |       |      |       |       |       |       | 50.73 | 1.06 | 34    | 5781 |       |       | 43.03 | 1.25 |       |       |       |      | 39    | 5053 |       |       | 37.61 | 1.43  | 46    | 4272 |       |      |       |       | 31.08 | 1.69 |       |      |       |       |       |      | 44    | 4540  | 33.78 | 1.59  | 54    | 3685  | 27.43 | 1.96 | 58    | 3400 | 25.31 | 2.1  | 68    | 2923 |       |      | 21.76 | 2.5  | 77    | 2580 | 19.20 | 2.8  | 53    | 3724 | 27.72 | 1.09 | F 97  | 4    |       |      | 66    | 4093 |       |      | 22.34 | 0.99 | F 87  | 4    |       |      |       |      | 58    | 3383 | 25.18 | 1.19 |       |      | 66    | 3001 |       |      |       |      |       |      |       |      |       |      |       |      |       |      |       |      | 22.34 | 1.35 |       |      | 73    | 2723 | 20.27 | 1.48 |       |      |       |      |       |      | 84    | 2340 | 17.42 | 1.73 | 97    | 2043 | 15.21 | 2.0  | 114   | 1733 | 12.90 | 2.3  |       |      | 130   | 1515 | 11.28 | 2.7  | 69    | 2864 | 21.32 | 0.98 | F 87  | 4    | 112   | 1763 |       |      | 13.12 | 1.60 |       |      | 76    | 2594 | 19.31 | 1.09 | 86    | 2300 | 17.12 | 1.23 |       |      |       |      | 95    | 2080 | 15.48 | 1.36 |       |      | 128   | 1295 |       |      | 11.46 | 2.2  |       |      |       |      | 153   | 1082 |       |      | 9.58 | 2.5  |       |      | 174   | 956  |       |      | 8.46  | 1.50 | 196   | 847  | 7.50  | 1.70 | 217  | 766  | 6.78  | 1.88 | 256   | 650  | 5.75  | 2.2  | 293   | 567  | 5.02 | 2.5  | 350   | 474  | 4.20  | 2.9  |       |      |       |      |       |      |       |      |       |      |       |      |       |      |       |      |       |      |      |      |       |      |       |      |       |      |       |      |       |      |       |      |       |      |       |      |      |      |       |     |      |      |      |     |      |      |      |      |      |      |      |      |      |     |      |      |
| 14            | 14079      | 69.15    | 1.20                   |             |         | 17            | 12669      | 69.15    | 1.34                   |             |         | 21          | 11179 | 61.02 | 1.51  | 24          | 9693  | 52.91       | 1.75  | 28          | 8623  | 47.07       | 2.0   | 31          | 8623  | 47.07       | 2.0   | 36          | 7433  |             |       | 40.57       | 2.3   | 10          | 19051 | 141.80      | 0.89  |             |       | F 157       | 4     |             |       | 19          | 13924 |             |       | 76.00       | 0.81  |             |       |             |       |             |       | F 127 | 4     |             |       | 12     | 16813 |        |       |       |       | 125.14 | 1.01  |       |       | 14     | 14576 | 108.49 | 1.16  |       |       | 15    | 12969 | 96.53  | 1.30  | 17    | 11675 | 86.60  | 1.45  | 18    | 10677 | 79.47 | 1.58  | 21    | 9290  | 69.15 | 1.82  | 24    | 8198  | 61.02 | 2.1  | 28    | 7108  | 52.91  | 2.4   |       |       | 31     | 6324  |        |       |        |       |        |       |        |       |        |       |        |       | 47.07 | 2.7  | 36    | 5451  | 40.57 | 3.1   | 45    | 4430 | 32.97 | 3.8   | 15     | 13399 |       |       | 99.73  | 0.84 | F 127 | 4     | 34     | 7883  |       |       |        |      |       |       |        |       |        |       |        |       |        |       |        |       | 43.03  | 0.92  | F 107  | 4     |        |       | 17     | 11823 | 88.00 | 0.95  |       |       |       |       | 19    | 10211 | 76.00 | 1.10  |       |      | 21    | 9488  | 70.62 | 1.19  | 23    | 8653  | 64.41 | 1.30 | 26    | 7489  | 55.74 | 1.51  | 30    | 6609  | 49.19 | 1.71 | 35    | 5707  | 42.48 | 1.98  | 25    | 7808  | 58.12 | 0.92 | F 107 | 4     | 39    | 6890  |       |       | 37.61 | 1.05 | F 97  | 4     | 29    | 6816  |       |       |       |      |       |       |       |       | 50.73 | 1.06 |       |      |       |       |       |       | 34    | 5781 | 43.03 | 1.25 |       |       | 39    | 5053 | 37.61 | 1.43  |       |      | 46    | 4272 |       |       | 31.08 | 1.69  | 44    | 4540 |       |      |       |       | 33.78 | 1.59 |       |      |       |       | 54    | 3685 | 27.43 | 1.96  | 58    | 3400  | 25.31 | 2.1   | 68    | 2923 | 21.76 | 2.5  | 77    | 2580 | 19.20 | 2.8  |       |      | 53    | 3724 | 27.72 | 1.09 | F 97  | 4    | 66    | 4093 | 22.34 | 0.99 |       |      |       |      | F 87  | 4    | 58    | 3383 | 25.18 | 1.19 |       |      |       |      |       |      | 66    | 3001 | 22.34 | 1.35 |       |      | 73    | 2723 |       |      |       |      |       |      |       |      |       |      | 20.27 | 1.48 |       |      |       |      | 84    | 2340 |       |      | 17.42 | 1.73 | 97    | 2043 |       |      |       |      |       |      | 15.21 | 2.0  | 114   | 1733 | 12.90 | 2.3  | 130   | 1515 | 11.28 | 2.7  | 69    | 2864 |       |      | 21.32 | 0.98 | F 87  | 4    | 112   | 1763 | 13.12 | 1.60 |       |      | 76    | 2594 |       |      | 19.31 | 1.09 |       |      | 86    | 2300 | 17.12 | 1.23 | 95    | 2080 | 15.48 | 1.36 |       |      | 128   | 1295 | 11.46 | 2.2  | 153   | 1082 |       |      | 9.58  | 2.5  |       |      | 174   | 956  |       |      |       |      | 8.46  | 1.50 |       |      | 196  | 847  |       |      | 7.50  | 1.70 |       |      | 217   | 766  | 6.78  | 1.88 | 256   | 650  | 5.75 | 2.2  | 293   | 567  | 5.02  | 2.5  | 350   | 474  | 4.20  | 2.9  |      |      |       |      |       |      |       |      |       |      |       |      |       |      |       |      |       |      |       |      |       |      |       |      |      |      |       |      |       |      |       |      |       |      |       |      |       |      |       |      |       |      |      |      |       |     |      |      |      |     |      |      |      |      |      |      |      |      |      |     |      |      |
| 17            | 12669      | 69.15    | 1.34                   |             |         | 21            | 11179      | 61.02    | 1.51                   |             |         | 24          | 9693  | 52.91 | 1.75  | 28          | 8623  | 47.07       | 2.0   | 31          | 8623  | 47.07       | 2.0   | 36          | 7433  | 40.57       | 2.3   | 10          | 19051 |             |       | 141.80      | 0.89  | F 157       | 4     | 19          | 13924 |             |       |             |       |             |       | 76.00       | 0.81  |             |       | F 127       | 4     |             |       |             |       |             |       |       |       |             |       | 12     | 16813 | 125.14 | 1.01  |       |       | 14     | 14576 |       |       | 108.49 | 1.16  | 15     | 12969 |       |       | 96.53 | 1.30  | 17     | 11675 | 86.60 | 1.45  | 18     | 10677 | 79.47 | 1.58  | 21    | 9290  | 69.15 | 1.82  | 24    | 8198  | 61.02 | 2.1   | 28    | 7108 | 52.91 | 2.4   | 31     | 6324  |       |       | 47.07  | 2.7   |        |       |        |       |        |       |        |       |        |       |        |       | 36    | 5451 | 40.57 | 3.1   | 45    | 4430  | 32.97 | 3.8  | 15    | 13399 | 99.73  | 0.84  | F 127 | 4     | 34     | 7883 |       |       | 43.03  | 0.92  |       |       | F 107  | 4    |       |       |        |       |        |       |        |       |        |       |        |       | 17     | 11823 |        |       |        |       | 88.00  | 0.95  | 19    | 10211 |       |       |       |       | 76.00 | 1.10  | 21    | 9488  |       |      | 70.62 | 1.19  | 23    | 8653  | 64.41 | 1.30  | 26    | 7489 | 55.74 | 1.51  | 30    | 6609  | 49.19 | 1.71  | 35    | 5707 | 42.48 | 1.98  | 25    | 7808  | 58.12 | 0.92  | F 107 | 4    |       |       | 39    | 6890  |       |       | 37.61 | 1.05 |       |       | F 97  | 4     |       |       | 29    | 6816 |       |       |       |       | 50.73 | 1.06 |       |      |       |       |       |       | 34    | 5781 | 43.03 | 1.25 |       |       | 39    | 5053 | 37.61 | 1.43  | 46    | 4272 | 31.08 | 1.69 |       |       | 44    | 4540  | 33.78 | 1.59 |       |      |       |       | 54    | 3685 |       |      |       |       | 27.43 | 1.96 | 58    | 3400  | 25.31 | 2.1   | 68    | 2923  | 21.76 | 2.5  | 77    | 2580 | 19.20 | 2.8  | 53    | 3724 | 27.72 | 1.09 | F 97  | 4    | 66    | 4093 |       |      | 22.34 | 0.99 | F 87  | 4    |       |      |       |      |       |      | 58    | 3383 | 25.18 | 1.19 |       |      |       |      |       |      | 66    | 3001 | 22.34 | 1.35 | 73    | 2723 | 20.27 | 1.48 |       |      |       |      |       |      |       |      |       |      | 84    | 2340 |       |      |       |      | 17.42 | 1.73 |       |      | 97    | 2043 | 15.21 | 2.0  |       |      |       |      | 114   | 1733 | 12.90 | 2.3  | 130   | 1515 | 11.28 | 2.7  | 69    | 2864 | 21.32 | 0.98 | F 87  | 4    |       |      | 112   | 1763 |       |      | 13.12 | 1.60 | 76    | 2594 |       |      | 19.31 | 1.09 |       |      | 86    | 2300 |       |      | 17.12 | 1.23 | 95    | 2080 | 15.48 | 1.36 | 128   | 1295 |       |      | 11.46 | 2.2  | 153   | 1082 | 9.58  | 2.5  |       |      | 174   | 956  | 8.46  | 1.50 | 196   | 847  |       |      |       |      | 7.50  | 1.70 |       |      | 217  | 766  |       |      | 6.78  | 1.88 |       |      | 256   | 650  | 5.75  | 2.2  | 293   | 567  | 5.02 | 2.5  | 350   | 474  | 4.20  | 2.9  |       |      |       |      |      |      |       |      |       |      |       |      |       |      |       |      |       |      |       |      |       |      |       |      |       |      |       |      |      |      |       |      |       |      |       |      |       |      |       |      |       |      |       |      |       |      |      |      |       |     |      |      |      |     |      |      |      |      |      |      |      |      |      |     |      |      |
| 21            | 11179      | 61.02    | 1.51                   | 24          | 9693    | 52.91         | 1.75       | 28       | 8623                   |             |         | 47.07       | 2.0   | 31    | 8623  | 47.07       | 2.0   | 36          | 7433  | 40.57       | 2.3   | 10          | 19051 | 141.80      | 0.89  | F 157       | 4     | 19          | 13924 |             |       | 76.00       | 0.81  |             |       | F 127       | 4     |             |       |             |       |             |       | 12          | 16813 |             |       |             |       |             |       |             |       |             |       |       |       | 125.14      | 1.01  | 14     | 14576 | 108.49 | 1.16  |       |       | 15     | 12969 |       |       | 96.53  | 1.30  | 17     | 11675 |       |       | 86.60 | 1.45  | 18     | 10677 | 79.47 | 1.58  | 21     | 9290  | 69.15 | 1.82  | 24    | 8198  | 61.02 | 2.1   | 28    | 7108  | 52.91 | 2.4   | 31    | 6324 | 47.07 | 2.7   | 36     | 5451  |       |       | 40.57  | 3.1   |        |       |        |       |        |       |        |       |        |       | 45     | 4430  | 32.97 | 3.8  | 15    | 13399 | 99.73 | 0.84  | F 127 | 4    | 34    | 7883  | 43.03  | 0.92  |       |       | F 107  | 4    |       |       | 17     | 11823 |       |       |        |      | 88.00 | 0.95  |        |       |        |       |        |       |        |       |        |       | 19     | 10211 |        |       |        |       | 76.00  | 1.10  | 21    | 9488  |       |       |       |       | 70.62 | 1.19  | 23    | 8653  |       |      | 64.41 | 1.30  | 26    | 7489  | 55.74 | 1.51  | 30    | 6609 | 49.19 | 1.71  | 35    | 5707  | 42.48 | 1.98  | 25    | 7808 | 58.12 | 0.92  | F 107 | 4     | 39    | 6890  |       |      |       |       | 37.61 | 1.05  |       |       | F 97  | 4    |       |       |       |       |       |       | 29    | 6816 |       |       |       |       | 50.73 | 1.06 |       |      | 34    | 5781  | 43.03 | 1.25  | 39    | 5053 | 37.61 | 1.43 |       |       | 46    | 4272 | 31.08 | 1.69  | 44    | 4540 | 33.78 | 1.59 |       |       | 54    | 3685  | 27.43 | 1.96 |       |      |       |       | 58    | 3400 |       |      |       |       | 25.31 | 2.1  | 68    | 2923  | 21.76 | 2.5   | 77    | 2580  | 19.20 | 2.8  | 53    | 3724 | 27.72 | 1.09 | F 97  | 4    | 66    | 4093 |       |      | 22.34 | 0.99 |       |      | F 87  | 4    |       |      |       |      | 58    | 3383 |       |      | 25.18 | 1.19 | 66    | 3001 |       |      |       |      |       |      | 22.34 | 1.35 | 73    | 2723 | 20.27 | 1.48 | 84    | 2340 | 17.42 | 1.73 |       |      |       |      |       |      |       |      | 97    | 2043 |       |      |       |      | 15.21 | 2.0  |       |      | 114   | 1733 | 12.90 | 2.3  |       |      |       |      | 130   | 1515 | 11.28 | 2.7  | 69    | 2864 | 21.32 | 0.98 | F 87  | 4    | 112   | 1763 |       |      | 13.12 | 1.60 | 76    | 2594 |       |      | 19.31 | 1.09 | 86    | 2300 |       |      | 17.12 | 1.23 |       |      | 95    | 2080 |       |      | 15.48 | 1.36 | 128   | 1295 | 11.46 | 2.2  | 153   | 1082 |       |      | 9.58  | 2.5  | 174   | 956  | 8.46  | 1.50 |       |      | 196   | 847  | 7.50  | 1.70 | 217   | 766  | 6.78  | 1.88 |       |      | 256   | 650  |       |      | 5.75 | 2.2  |       |      | 293   | 567  |       |      | 5.02  | 2.5  | 350   | 474  | 4.20  | 2.9  |      |      |       |      |       |      |       |      |       |      |      |      |       |      |       |      |       |      |       |      |       |      |       |      |       |      |       |      |       |      |       |      |       |      |      |      |       |      |       |      |       |      |       |      |       |      |       |      |       |      |       |      |      |      |       |     |      |      |      |     |      |      |      |      |      |      |      |      |      |     |      |      |
| 24            | 9693       | 52.91    | 1.75                   | 28          | 8623    | 47.07         | 2.0        | 31       | 8623                   |             |         | 47.07       | 2.0   | 36    | 7433  | 40.57       | 2.3   | 10          | 19051 | 141.80      | 0.89  | F 157       | 4     | 19          | 13924 |             |       | 76.00       | 0.81  |             |       | F 127       | 4     |             |       |             |       |             |       |             |       |             |       | 12          | 16813 |             |       |             |       |             |       |             |       | 125.14      | 1.01  |       |       | 14          | 14576 | 108.49 | 1.16  | 15     | 12969 |       |       | 96.53  | 1.30  |       |       | 17     | 11675 | 86.60  | 1.45  |       |       | 18    | 10677 | 79.47  | 1.58  | 21    | 9290  | 69.15  | 1.82  | 24    | 8198  | 61.02 | 2.1   | 28    | 7108  | 52.91 | 2.4   | 31    | 6324  | 47.07 | 2.7  | 36    | 5451  | 40.57  | 3.1   |       |       | 45     | 4430  |        |       |        |       |        |       |        |       | 32.97  | 3.8   | 15     | 13399 | 99.73 | 0.84 | F 127 | 4     | 34    | 7883  |       |      | 43.03 | 0.92  | F 107  | 4     |       |       |        |      |       |       | 17     | 11823 |       |       |        |      | 88.00 | 0.95  | 19     | 10211 |        |       |        |       |        |       |        |       | 76.00  | 1.10  |        |       |        |       | 21     | 9488  | 70.62 | 1.19  |       |       |       |       | 23    | 8653  | 64.41 | 1.30  |       |      | 26    | 7489  | 55.74 | 1.51  | 30    | 6609  | 49.19 | 1.71 | 35    | 5707  | 42.48 | 1.98  | 25    | 7808  | 58.12 | 0.92 | F 107 | 4     |       |       | 39    | 6890  |       |      |       |       | 37.61 | 1.05  |       |       |       |      |       |       |       |       |       |       | F 97  | 4    |       |       | 29    | 6816  | 50.73 | 1.06 |       |      | 34    | 5781  | 43.03 | 1.25  | 39    | 5053 | 37.61 | 1.43 | 46    | 4272  | 31.08 | 1.69 | 44    | 4540  | 33.78 | 1.59 | 54    | 3685 |       |       | 27.43 | 1.96  | 58    | 3400 |       |      |       |       | 25.31 | 2.1  |       |      |       |       | 68    | 2923 | 21.76 | 2.5   | 77    | 2580  | 19.20 | 2.8   | 53    | 3724 | 27.72 | 1.09 | F 97  | 4    |       |      | 66    | 4093 |       |      | 22.34 | 0.99 |       |      |       |      |       |      |       |      | F 87  | 4    |       |      | 58    | 3383 | 25.18 | 1.19 |       |      |       |      | 66    | 3001 | 22.34 | 1.35 | 73    | 2723 | 20.27 | 1.48 | 84    | 2340 | 17.42 | 1.73 |       |      |       |      |       |      | 97    | 2043 | 15.21 | 2.0  |       |      |       |      | 114   | 1733 |       |      | 12.90 | 2.3  | 130   | 1515 |       |      |       |      | 11.28 | 2.7  | 69    | 2864 | 21.32 | 0.98 | F 87  | 4    |       |      | 112   | 1763 |       |      | 13.12 | 1.60 | 76    | 2594 |       |      | 19.31 | 1.09 | 86    | 2300 |       |      | 17.12 | 1.23 | 95    | 2080 | 15.48 | 1.36 | 128   | 1295 | 11.46 | 2.2  | 153   | 1082 | 9.58  | 2.5  | 174   | 956  |       |      | 8.46  | 1.50 | 196   | 847  | 7.50  | 1.70 |       |      | 217   | 766  | 6.78  | 1.88 | 256   | 650  | 5.75  | 2.2  |       |      | 293   | 567  | 5.02  | 2.5  | 350  | 474  |       |      | 4.20  | 2.9  |       |      |       |      |       |      |       |      |      |      |       |      |       |      |       |      |       |      |      |      |       |      |       |      |       |      |       |      |       |      |       |      |       |      |       |      |       |      |       |      |       |      |      |      |       |      |       |      |       |      |       |      |       |      |       |      |       |      |       |      |      |      |       |     |      |      |      |     |      |      |      |      |      |      |      |      |      |     |      |      |
| 28            | 8623       | 47.07    | 2.0                    | 31          | 8623    | 47.07         | 2.0        | 36       | 7433                   |             |         | 40.57       | 2.3   | 10    | 19051 | 141.80      | 0.89  | F 157       | 4     | 19          | 13924 |             |       | 76.00       | 0.81  |             |       | F 127       | 4     |             |       |             |       |             |       |             |       |             |       |             |       |             |       | 12          | 16813 |             |       |             |       | 125.14      | 1.01  |             |       | 14          | 14576 |       |       | 108.49      | 1.16  | 15     | 12969 | 96.53  | 1.30  |       |       | 17     | 11675 |       |       | 86.60  | 1.45  | 18     | 10677 |       |       | 79.47 | 1.58  | 21     | 9290  | 69.15 | 1.82  | 24     | 8198  | 61.02 | 2.1   | 28    | 7108  | 52.91 | 2.4   | 31    | 6324  | 47.07 | 2.7   | 36    | 5451 | 40.57 | 3.1   | 45     | 4430  |       |       | 32.97  | 3.8   |        |       |        |       |        |       | 15     | 13399 | 99.73  | 0.84  | F 127  | 4     | 34    | 7883 |       |       | 43.03 | 0.92  |       |      | F 107 | 4     |        |       |       |       |        |      |       |       | 17     | 11823 |       |       |        |      | 88.00 | 0.95  | 19     | 10211 | 76.00  | 1.10  |        |       |        |       |        |       | 21     | 9488  |        |       |        |       | 70.62  | 1.19  | 23    | 8653  |       |       |       |       | 64.41 | 1.30  | 26    | 7489  |       |      | 55.74 | 1.51  | 30    | 6609  | 49.19 | 1.71  | 35    | 5707 | 42.48 | 1.98  | 25    | 7808  | 58.12 | 0.92  | F 107 | 4    |       |       |       |       | 39    | 6890  |       |      |       |       | 37.61 | 1.05  |       |       |       |      |       |       |       |       |       |       |       |      |       |       | F 97  | 4     | 29    | 6816 |       |      | 50.73 | 1.06  | 34    | 5781  | 43.03 | 1.25 | 39    | 5053 | 37.61 | 1.43  | 46    | 4272 | 31.08 | 1.69  | 44    | 4540 | 33.78 | 1.59 | 54    | 3685  | 27.43 | 1.96  | 58    | 3400 |       |      |       |       | 25.31 | 2.1  |       |      |       |       | 68    | 2923 | 21.76 | 2.5   | 77    | 2580  | 19.20 | 2.8   | 53    | 3724 | 27.72 | 1.09 |       |      |       |      | F 97  | 4    |       |      | 66    | 4093 |       |      |       |      |       |      |       |      |       |      |       |      | 22.34 | 0.99 | F 87  | 4    |       |      |       |      | 58    | 3383 | 25.18 | 1.19 | 66    | 3001 | 22.34 | 1.35 | 73    | 2723 | 20.27 | 1.48 | 84    | 2340 |       |      |       |      | 17.42 | 1.73 | 97    | 2043 |       |      | 15.21 | 2.0  | 114   | 1733 |       |      | 12.90 | 2.3  | 130   | 1515 |       |      |       |      | 11.28 | 2.7  | 69    | 2864 | 21.32 | 0.98 |       |      |       |      | F 87  | 4    |       |      | 112   | 1763 | 13.12 | 1.60 |       |      | 76    | 2594 | 19.31 | 1.09 | 86    | 2300 | 17.12 | 1.23 | 95    | 2080 | 15.48 | 1.36 | 128   | 1295 | 11.46 | 2.2  | 153   | 1082 | 9.58  | 2.5  | 174   | 956  | 8.46  | 1.50 | 196   | 847  | 7.50  | 1.70 | 217   | 766  |       |      | 6.78  | 1.88 | 256   | 650  | 5.75  | 2.2  | 293   | 567  |       |      | 5.02  | 2.5  | 350   | 474  | 4.20 | 2.9  |       |      |       |      |       |      |       |      |       |      |       |      |      |      |       |      |       |      |       |      |       |      |      |      |       |      |       |      |       |      |       |      |       |      |       |      |       |      |       |      |       |      |       |      |       |      |      |      |       |      |       |      |       |      |       |      |       |      |       |      |       |      |       |      |      |      |       |     |      |      |      |     |      |      |      |      |      |      |      |      |      |     |      |      |
| 31            | 8623       | 47.07    | 2.0                    | 36          | 7433    | 40.57         | 2.3        | 10       | 19051                  |             |         | 141.80      | 0.89  | F 157 | 4     | 19          | 13924 |             |       | 76.00       | 0.81  |             |       | F 127       | 4     |             |       |             |       |             |       |             |       |             |       |             |       |             |       |             |       |             |       | 12          | 16813 | 125.14      | 1.01  |             |       | 14          | 14576 |             |       | 108.49      | 1.16  |       |       | 15          | 12969 | 96.53  | 1.30  | 17     | 11675 |       |       | 86.60  | 1.45  |       |       | 18     | 10677 | 79.47  | 1.58  |       |       | 21    | 9290  | 69.15  | 1.82  | 24    | 8198  | 61.02  | 2.1   | 28    | 7108  | 52.91 | 2.4   | 31    | 6324  | 47.07 | 2.7   | 36    | 5451  | 40.57 | 3.1  | 45    | 4430  | 32.97  | 3.8   |       |       | 15     | 13399 |        |       |        |       | 99.73  | 0.84  | F 127  | 4     | 34     | 7883  |        |       | 43.03 | 0.92 |       |       | F 107 | 4     |       |      |       |       |        |       |       |       |        |      |       |       | 17     | 11823 |       |       |        |      | 88.00 | 0.95  | 19     | 10211 | 76.00  | 1.10  | 21     | 9488  |        |       |        |       | 70.62  | 1.19  |        |       |        |       | 23     | 8653  | 64.41 | 1.30  |       |       |       |       | 26    | 7489  | 55.74 | 1.51  |       |      | 30    | 6609  | 49.19 | 1.71  | 35    | 5707  | 42.48 | 1.98 | 25    | 7808  | 58.12 | 0.92  | F 107 | 4     |       |      |       |       |       |       | 39    | 6890  |       |      |       |       | 37.61 | 1.05  |       |       |       |      |       |       |       |       |       |       |       |      |       |       |       |       | F 97  | 4    |       |      | 29    | 6816  | 50.73 | 1.06  | 34    | 5781 | 43.03 | 1.25 | 39    | 5053  | 37.61 | 1.43 | 46    | 4272  | 31.08 | 1.69 | 44    | 4540 | 33.78 | 1.59  | 54    | 3685  | 27.43 | 1.96 | 58    | 3400 |       |       | 25.31 | 2.1  |       |      |       |       | 68    | 2923 | 21.76 | 2.5   | 77    | 2580  | 19.20 | 2.8   | 53    | 3724 | 27.72 | 1.09 |       |      |       |      |       |      |       |      | F 97  | 4    |       |      |       |      |       |      |       |      |       |      |       |      | 66    | 4093 |       |      |       |      |       |      | 22.34 | 0.99 | F 87  | 4    | 58    | 3383 | 25.18 | 1.19 | 66    | 3001 | 22.34 | 1.35 | 73    | 2723 |       |      | 20.27 | 1.48 | 84    | 2340 | 17.42 | 1.73 | 97    | 2043 | 15.21 | 2.0  | 114   | 1733 |       |      | 12.90 | 2.3  | 130   | 1515 |       |      |       |      | 11.28 | 2.7  | 69    | 2864 | 21.32 | 0.98 |       |      |       |      |       |      |       |      | F 87  | 4    | 112   | 1763 | 13.12 | 1.60 | 76    | 2594 | 19.31 | 1.09 | 86    | 2300 | 17.12 | 1.23 | 95    | 2080 | 15.48 | 1.36 | 128   | 1295 | 11.46 | 2.2  | 153   | 1082 | 9.58  | 2.5  | 174   | 956  | 8.46  | 1.50 | 196   | 847  | 7.50  | 1.70 | 217   | 766  | 6.78  | 1.88 | 256   | 650  | 5.75  | 2.2  | 293   | 567  | 5.02  | 2.5  |       |      | 350   | 474  | 4.20  | 2.9  |      |      |       |      |       |      |       |      |       |      |       |      |       |      |      |      |       |      |       |      |       |      |       |      |      |      |       |      |       |      |       |      |       |      |       |      |       |      |       |      |       |      |       |      |       |      |       |      |      |      |       |      |       |      |       |      |       |      |       |      |       |      |       |      |       |      |      |      |       |     |      |      |      |     |      |      |      |      |      |      |      |      |      |     |      |      |
| 36            | 7433       | 40.57    | 2.3                    | 10          | 19051   | 141.80        | 0.89       | F 157    | 4                      |             |         | 19          | 13924 |       |       | 76.00       | 0.81  |             |       | F 127       | 4     |             |       |             |       |             |       |             |       |             |       |             |       |             |       |             |       |             |       |             |       | 12          | 16813 | 125.14      | 1.01  | 14          | 14576 |             |       | 108.49      | 1.16  |             |       | 15          | 12969 |       |       | 96.53       | 1.30  | 17     | 11675 | 86.60  | 1.45  |       |       | 18     | 10677 |       |       | 79.47  | 1.58  | 21     | 9290  |       |       | 69.15 | 1.82  | 24     | 8198  | 61.02 | 2.1   | 28     | 7108  | 52.91 | 2.4   | 31    | 6324  | 47.07 | 2.7   | 36    | 5451  | 40.57 | 3.1   | 45    | 4430 | 32.97 | 3.8   | 15     | 13399 |       |       | 99.73  | 0.84  |        |       | F 127  | 4     | 34     | 7883  |        |       | 43.03  | 0.92  |        |       | F 107 | 4    |       |       |       |       |       |      |       |       |        |       |       |       |        |      |       |       | 17     | 11823 |       |       |        |      | 88.00 | 0.95  | 19     | 10211 | 76.00  | 1.10  | 21     | 9488  | 70.62  | 1.19  |        |       | 23     | 8653  |        |       |        |       | 64.41  | 1.30  | 26    | 7489  |       |       | 55.74 | 1.51  | 30    | 6609  | 49.19 | 1.71  |       |      | 35    | 5707  | 42.48 | 1.98  | 25    | 7808  | 58.12 | 0.92 | F 107 | 4     | 39    | 6890  |       |       |       |      |       |       |       |       | 37.61 | 1.05  |       |      |       |       | F 97  | 4     |       |       |       |      |       |       |       |       |       |       |       |      |       |       |       |       |       |      |       |      | 29    | 6816  | 50.73 | 1.06  | 34    | 5781 | 43.03 | 1.25 | 39    | 5053  | 37.61 | 1.43 | 46    | 4272  | 31.08 | 1.69 | 44    | 4540 | 33.78 | 1.59  | 54    | 3685  | 27.43 | 1.96 | 58    | 3400 |       |       | 25.31 | 2.1  | 68    | 2923 |       |       | 21.76 | 2.5  | 77    | 2580  | 19.20 | 2.8   | 53    | 3724  | 27.72 | 1.09 | F 97  | 4    |       |      |       |      |       |      |       |      |       |      |       |      |       |      |       |      |       |      |       |      |       |      | 66    | 4093 |       |      |       |      | 22.34 | 0.99 | F 87  | 4    |       |      | 58    | 3383 | 25.18 | 1.19 | 66    | 3001 | 22.34 | 1.35 | 73    | 2723 |       |      | 20.27 | 1.48 | 84    | 2340 | 17.42 | 1.73 | 97    | 2043 | 15.21 | 2.0  | 114   | 1733 | 12.90 | 2.3  | 130   | 1515 | 11.28 | 2.7  |       |      |       |      | 69    | 2864 | 21.32 | 0.98 | F 87  | 4    |       |      |       |      |       |      | 112   | 1763 |       |      | 13.12 | 1.60 | 76    | 2594 | 19.31 | 1.09 | 86    | 2300 | 17.12 | 1.23 | 95    | 2080 | 15.48 | 1.36 | 128   | 1295 | 11.46 | 2.2  | 153   | 1082 | 9.58  | 2.5  | 174   | 956  | 8.46  | 1.50 | 196   | 847  | 7.50  | 1.70 | 217   | 766  | 6.78  | 1.88 | 256   | 650  | 5.75  | 2.2  | 293   | 567  | 5.02  | 2.5  | 350   | 474  | 4.20  | 2.9  |       |      |       |      |      |      |       |      |       |      |       |      |       |      |       |      |       |      |      |      |       |      |       |      |       |      |       |      |      |      |       |      |       |      |       |      |       |      |       |      |       |      |       |      |       |      |       |      |       |      |       |      |      |      |       |      |       |      |       |      |       |      |       |      |       |      |       |      |       |      |      |      |       |     |      |      |      |     |      |      |      |      |      |      |      |      |      |     |      |      |
| 10            | 19051      | 141.80   | 0.89                   | F 157       | 4       | 19            | 13924      |          |                        |             |         | 76.00       | 0.81  |       |       | F 127       | 4     |             |       |             |       |             |       |             |       |             |       |             |       |             |       |             |       |             |       |             |       |             |       |             |       |             |       |             |       |             |       |             |       |             |       |             |       |             |       |       |       |             |       |        |       |        |       |       |       |        |       |       |       |        |       |        |       |       |       |       |       |        |       |       |       |        |       |       |       |       |       |       |       |       |       |       |       |       |      |       |       |        |       |       |       |        |       |        |       |        |       |        |       |        |       |        |       |        |       |       |      |       |       |       |       |       |      |       |       |        |       |       |       |        |      |       |       |        |       |       |       |        |      |       |       |        |       |        |       |        |       |        |       |        |       |        |       |        |       |        |       |        |       |       |       |       |       |       |       |       |       |       |       |       |      |       |       |       |       |       |       |       |      |       |       |       |       |       |       |       |      |       |       |       |       |       |       |       |      |       |       |       |       |       |       |       |      |       |       |       |       |       |       |       |      |       |       |       |       |       |      |       |      |       |       |       |       |       |      |       |      |       |       |       |      |       |       |       |      |       |      |       |       |       |       |       |      |       |      |       |       |       |      |       |      |       |       |       |      |       |       |       |       |       |       |       |      |       |      |       |      |       |      |       |      |       |      |       |      |       |      |       |      |       |      |       |      |       |      |       |      |       |      |       |      |       |      |       |      |       |      |       |      |       |      |       |      |       |      |       |      |       |      |       |      |       |      |       |      |       |      |       |      |       |      |       |      |       |      |       |      |       |      |       |      |       |      |       |      |       |      |       |      |       |      |       |      |       |      |       |      |       |      |       |      |       |      |       |      |       |      |       |      |       |      |       |      |       |      |       |      |       |      |       |      |       |      |       |      |       |      |       |      |       |      |       |      |       |      |       |      |       |      |       |      |       |      |       |      |       |      |       |      |      |      |       |      |       |      |       |      |       |      |       |      |       |      |      |      |       |      |       |      |       |      |       |      |      |      |       |      |       |      |       |      |       |      |       |      |       |      |       |      |       |      |       |      |       |      |       |      |      |      |       |      |       |      |       |      |       |      |       |      |       |      |       |      |       |      |      |      |       |     |      |      |      |     |      |      |      |      |      |      |      |      |      |     |      |      |
| 12            | 16813      | 125.14   | 1.01                   |             |         | 14            | 14576      |          |                        |             |         | 108.49      | 1.16  |       |       |             |       |             |       |             |       |             |       |             |       |             |       |             |       | 15          | 12969 |             |       |             |       |             |       | 96.53       | 1.30  |             |       | 17          | 11675 | 86.60       | 1.45  | 18          | 10677 |             |       | 79.47       | 1.58  |             |       | 21          | 9290  |       |       | 69.15       | 1.82  | 24     | 8198  | 61.02  | 2.1   |       |       | 28     | 7108  |       |       | 52.91  | 2.4   | 31     | 6324  |       |       | 47.07 | 2.7   | 36     | 5451  | 40.57 | 3.1   | 45     | 4430  | 32.97 | 3.8   | 15    | 13399 | 99.73 | 0.84  | F 127 | 4     | 34    | 7883  | 43.03 | 0.92 | F 107 | 4     | 17     | 11823 | 88.00 | 0.95  | 19     | 10211 | 76.00  | 1.10  |        |       | 21     | 9488  |        |       | 70.62  | 1.19  |        |       |       |      |       |       |       |       |       |      |       |       |        |       |       |       |        |      | 23    | 8653  | 64.41  | 1.30  | 26    | 7489  |        |      | 55.74 | 1.51  | 30     | 6609  | 49.19  | 1.71  | 35     | 5707  | 42.48  | 1.98  | 25     | 7808  | 58.12  | 0.92  |        |       | F 107  | 4     | 39     | 6890  | 37.61 | 1.05  |       |       | F 97  | 4     | 29    | 6816  | 50.73 | 1.06  |       |      | 34    | 5781  | 43.03 | 1.25  | 39    | 5053  | 37.61 | 1.43 |       |       | 46    | 4272  |       |       |       |      |       |       |       |       | 31.08 | 1.69  |       |      |       |       |       |       |       |       |       |      |       |       |       |       | 44    | 4540  |       |      |       |       |       |       |       |      |       |      | 33.78 | 1.59  | 54    | 3685  | 27.43 | 1.96 | 58    | 3400 | 25.31 | 2.1   | 68    | 2923 | 21.76 | 2.5   | 77    | 2580 | 19.20 | 2.8  | 53    | 3724  | 27.72 | 1.09  | F 97  | 4    | 66    | 4093 | 22.34 | 0.99  | F 87  | 4    | 58    | 3383 | 25.18 | 1.19  | 66    | 3001 | 22.34 | 1.35  | 73    | 2723  | 20.27 | 1.48  | 84    | 2340 |       |      |       |      |       |      |       |      |       |      |       |      | 17.42 | 1.73 |       |      |       |      | 97    | 2043 |       |      |       |      | 15.21 | 2.0  |       |      |       |      | 114   | 1733 |       |      |       |      | 12.90 | 2.3  | 130   | 1515 | 11.28 | 2.7  | 69    | 2864 | 21.32 | 0.98 |       |      | F 87  | 4    | 112   | 1763 | 13.12 | 1.60 | 76    | 2594 | 19.31 | 1.09 | 86    | 2300 | 17.12 | 1.23 | 95    | 2080 | 15.48 | 1.36 | 128   | 1295 | 11.46 | 2.2  | 153   | 1082 | 9.58  | 2.5  |       |      | 174   | 956  | 8.46  | 1.50 |       |      | 196   | 847  |       |      | 7.50  | 1.70 | 217   | 766  | 6.78  | 1.88 | 256   | 650  | 5.75  | 2.2  | 293   | 567  | 5.02  | 2.5  | 350   | 474  | 4.20  | 2.9  |       |      |       |      |       |      |       |      |       |      |       |      |       |      |       |      |       |      |       |      |       |      |       |      |       |      |       |      |       |      |       |      |      |      |       |      |       |      |       |      |       |      |       |      |       |      |      |      |       |      |       |      |       |      |       |      |      |      |       |      |       |      |       |      |       |      |       |      |       |      |       |      |       |      |       |      |       |      |       |      |      |      |       |      |       |      |       |      |       |      |       |      |       |      |       |      |       |      |      |      |       |     |      |      |      |     |      |      |      |      |      |      |      |      |      |     |      |      |
| 14            | 14576      | 108.49   | 1.16                   |             |         | 15            | 12969      |          |                        |             |         | 96.53       | 1.30  |       |       |             |       |             |       |             |       |             |       |             |       |             |       |             |       | 17          | 11675 |             |       |             |       |             |       | 86.60       | 1.45  |             |       | 18          | 10677 | 79.47       | 1.58  | 21          | 9290  |             |       | 69.15       | 1.82  |             |       | 24          | 8198  |       |       | 61.02       | 2.1   | 28     | 7108  | 52.91  | 2.4   |       |       | 31     | 6324  |       |       | 47.07  | 2.7   | 36     | 5451  |       |       | 40.57 | 3.1   | 45     | 4430  | 32.97 | 3.8   | 15     | 13399 | 99.73 | 0.84  | F 127 | 4     | 34    | 7883  |       |       | 43.03 | 0.92  | F 107 | 4    |       |       | 17     | 11823 | 88.00 | 0.95  | 19     | 10211 | 76.00  | 1.10  |        |       | 21     | 9488  |        |       | 70.62  | 1.19  |        |       |       |      |       |       |       |       |       |      |       |       |        |       | 23    | 8653  |        |      | 64.41 | 1.30  | 26     | 7489  | 55.74 | 1.51  |        |      | 30    | 6609  | 49.19  | 1.71  | 35     | 5707  | 42.48  | 1.98  | 25     | 7808  | 58.12  | 0.92  | F 107  | 4     |        |       |        |       | 39     | 6890  | 37.61 | 1.05  |       |       |       |       | F 97  | 4     | 29    | 6816  |       |      | 50.73 | 1.06  | 34    | 5781  | 43.03 | 1.25  | 39    | 5053 |       |       | 37.61 | 1.43  |       |       |       |      |       |       |       |       | 46    | 4272  |       |      |       |       |       |       | 31.08 | 1.69  |       |      |       |       |       |       | 44    | 4540  |       |      |       |       |       |       |       |      |       |      | 33.78 | 1.59  | 54    | 3685  | 27.43 | 1.96 | 58    | 3400 | 25.31 | 2.1   | 68    | 2923 | 21.76 | 2.5   | 77    | 2580 | 19.20 | 2.8  | 53    | 3724  | 27.72 | 1.09  |       |      | F 97  | 4    | 66    | 4093  |       |      | 22.34 | 0.99 | F 87  | 4     | 58    | 3383 | 25.18 | 1.19  | 66    | 3001  | 22.34 | 1.35  | 73    | 2723 |       |      |       |      |       |      |       |      | 20.27 | 1.48 |       |      | 84    | 2340 |       |      |       |      | 17.42 | 1.73 |       |      |       |      | 97    | 2043 |       |      |       |      | 15.21 | 2.0  |       |      |       |      | 114   | 1733 | 12.90 | 2.3  | 130   | 1515 | 11.28 | 2.7  | 69    | 2864 |       |      |       |      | 21.32 | 0.98 | F 87  | 4    | 112   | 1763 | 13.12 | 1.60 | 76    | 2594 | 19.31 | 1.09 | 86    | 2300 | 17.12 | 1.23 | 95    | 2080 | 15.48 | 1.36 | 128   | 1295 | 11.46 | 2.2  |       |      | 153   | 1082 | 9.58  | 2.5  | 174   | 956  | 8.46  | 1.50 |       |      | 196   | 847  | 7.50  | 1.70 | 217   | 766  | 6.78  | 1.88 | 256   | 650  | 5.75  | 2.2  | 293   | 567  | 5.02  | 2.5  | 350   | 474  | 4.20  | 2.9  |       |      |       |      |       |      |       |      |       |      |       |      |       |      |       |      |       |      |       |      |       |      |       |      |       |      |       |      |       |      |      |      |       |      |       |      |       |      |       |      |       |      |       |      |      |      |       |      |       |      |       |      |       |      |      |      |       |      |       |      |       |      |       |      |       |      |       |      |       |      |       |      |       |      |       |      |       |      |      |      |       |      |       |      |       |      |       |      |       |      |       |      |       |      |       |      |      |      |       |     |      |      |      |     |      |      |      |      |      |      |      |      |      |     |      |      |
| 15            | 12969      | 96.53    | 1.30                   |             |         | 17            | 11675      |          |                        | 86.60       | 1.45    | 18          | 10677 |       |       |             |       |             |       |             |       |             |       |             |       |             |       |             |       | 79.47       | 1.58  |             |       |             |       |             |       | 21          | 9290  |             |       | 69.15       | 1.82  | 24          | 8198  | 61.02       | 2.1   |             |       | 28          | 7108  |             |       | 52.91       | 2.4   |       |       | 31          | 6324  | 47.07  | 2.7   | 36     | 5451  |       |       | 40.57  | 3.1   |       |       | 45     | 4430  | 32.97  | 3.8   |       |       | 15    | 13399 | 99.73  | 0.84  | F 127 | 4     | 34     | 7883  | 43.03 | 0.92  |       |       | F 107 | 4     |       |       | 17    | 11823 |       |      |       |       | 88.00  | 0.95  | 19    | 10211 | 76.00  | 1.10  | 21     | 9488  |        |       | 70.62  | 1.19  |        |       | 23     | 8653  |        |       |       |      |       |       |       |       | 64.41 | 1.30 |       |       |        |       | 26    | 7489  |        |      | 55.74 | 1.51  | 30     | 6609  | 49.19 | 1.71  |        |      | 35    | 5707  | 42.48  | 1.98  | 25     | 7808  | 58.12  | 0.92  | F 107  | 4     | 39     | 6890  |        |       |        |       |        |       | 37.61  | 1.05  | F 97  | 4     |       |       |       |       |       |       | 29    | 6816  |       |      | 50.73 | 1.06  | 34    | 5781  | 43.03 | 1.25  | 39    | 5053 |       |       | 37.61 | 1.43  |       |       |       |      |       |       |       |       | 46    | 4272  |       |      | 31.08 | 1.69  |       |       | 44    | 4540  |       |      |       |       |       |       | 33.78 | 1.59  |       |      |       |       |       |       |       |      |       |      | 54    | 3685  | 27.43 | 1.96  | 58    | 3400 | 25.31 | 2.1  | 68    | 2923  | 21.76 | 2.5  | 77    | 2580  | 19.20 | 2.8  | 53    | 3724 | 27.72 | 1.09  | F 97  | 4     |       |      |       |      | 66    | 4093  |       |      | 22.34 | 0.99 |       |       | F 87  | 4    | 58    | 3383  | 25.18 | 1.19  | 66    | 3001  | 22.34 | 1.35 |       |      |       |      | 73    | 2723 |       |      | 20.27 | 1.48 |       |      | 84    | 2340 |       |      |       |      | 17.42 | 1.73 |       |      |       |      | 97    | 2043 |       |      |       |      | 15.21 | 2.0  |       |      |       |      | 114   | 1733 | 12.90 | 2.3  | 130   | 1515 | 11.28 | 2.7  | 69    | 2864 |       |      |       |      | 21.32 | 0.98 |       |      | F 87  | 4    | 112   | 1763 | 13.12 | 1.60 | 76    | 2594 | 19.31 | 1.09 | 86    | 2300 | 17.12 | 1.23 | 95    | 2080 | 15.48 | 1.36 | 128   | 1295 |       |      | 11.46 | 2.2  | 153   | 1082 | 9.58  | 2.5  | 174   | 956  | 8.46  | 1.50 | 196   | 847  | 7.50  | 1.70 | 217   | 766  | 6.78  | 1.88 | 256   | 650  | 5.75  | 2.2  | 293   | 567  | 5.02  | 2.5  | 350   | 474  | 4.20  | 2.9  |       |      |       |      |       |      |       |      |       |      |       |      |       |      |       |      |       |      |       |      |       |      |       |      |       |      |       |      |       |      |      |      |       |      |       |      |       |      |       |      |       |      |       |      |      |      |       |      |       |      |       |      |       |      |      |      |       |      |       |      |       |      |       |      |       |      |       |      |       |      |       |      |       |      |       |      |       |      |      |      |       |      |       |      |       |      |       |      |       |      |       |      |       |      |       |      |      |      |       |     |      |      |      |     |      |      |      |      |      |      |      |      |      |     |      |      |
| 17            | 11675      | 86.60    | 1.45                   |             |         | 18            | 10677      |          |                        | 79.47       | 1.58    | 21          | 9290  |       |       |             |       |             |       |             |       |             |       |             |       |             |       |             |       | 69.15       | 1.82  |             |       |             |       |             |       | 24          | 8198  |             |       | 61.02       | 2.1   | 28          | 7108  | 52.91       | 2.4   |             |       | 31          | 6324  |             |       | 47.07       | 2.7   |       |       | 36          | 5451  | 40.57  | 3.1   | 45     | 4430  | 32.97 | 3.8   | 15     | 13399 |       |       | 99.73  | 0.84  | F 127  | 4     | 34    | 7883  | 43.03 | 0.92  | F 107  | 4     |       |       | 17     | 11823 | 88.00 | 0.95  |       |       |       |       |       |       | 19    | 10211 |       |      |       |       | 76.00  | 1.10  | 21    | 9488  | 70.62  | 1.19  | 23     | 8653  |        |       | 64.41  | 1.30  |        |       | 26     | 7489  |        |       |       |      | 55.74 | 1.51  |       |       | 30    | 6609 |       |       |        |       | 49.19 | 1.71  |        |      | 35    | 5707  | 42.48  | 1.98  | 25    | 7808  |        |      | 58.12 | 0.92  | F 107  | 4     | 39     | 6890  | 37.61  | 1.05  |        |       | F 97   | 4     |        |       |        |       |        |       | 29     | 6816  |       |       |       |       |       |       |       |       | 50.73 | 1.06  | 34    | 5781 | 43.03 | 1.25  | 39    | 5053  | 37.61 | 1.43  | 46    | 4272 |       |       | 31.08 | 1.69  |       |       |       |      |       |       |       |       | 44    | 4540  | 33.78 | 1.59 | 54    | 3685  |       |       | 27.43 | 1.96  |       |      |       |       |       |       | 58    | 3400  |       |      |       |       |       |       |       |      | 25.31 | 2.1  | 68    | 2923  | 21.76 | 2.5   | 77    | 2580 | 19.20 | 2.8  | 53    | 3724  | 27.72 | 1.09 | F 97  | 4     | 66    | 4093 | 22.34 | 0.99 | F 87  | 4     |       |       |       |      |       |      | 58    | 3383  |       |      | 25.18 | 1.19 |       |       |       |      | 66    | 3001  | 22.34 | 1.35  | 73    | 2723  | 20.27 | 1.48 |       |      | 84    | 2340 | 17.42 | 1.73 |       |      | 97    | 2043 |       |      | 15.21 | 2.0  |       |      |       |      | 114   | 1733 |       |      |       |      | 12.90 | 2.3  |       |      |       |      | 130   | 1515 |       |      |       |      | 11.28 | 2.7  | 69    | 2864 | 21.32 | 0.98 | F 87  | 4    | 112   | 1763 | 13.12 | 1.60 |       |      | 76    | 2594 |       |      |       |      | 19.31 | 1.09 | 86    | 2300 | 17.12 | 1.23 | 95    | 2080 | 15.48 | 1.36 | 128   | 1295 | 11.46 | 2.2  | 153   | 1082 | 9.58  | 2.5  | 174   | 956  | 8.46  | 1.50 | 196   | 847  | 7.50  | 1.70 | 217   | 766  | 6.78  | 1.88 | 256   | 650  | 5.75  | 2.2  | 293   | 567  | 5.02  | 2.5  | 350   | 474  | 4.20  | 2.9  |       |      |       |      |       |      |       |      |       |      |       |      |       |      |       |      |       |      |       |      |       |      |       |      |       |      |       |      |       |      |       |      |       |      |       |      |       |      |      |      |       |      |       |      |       |      |       |      |       |      |       |      |      |      |       |      |       |      |       |      |       |      |      |      |       |      |       |      |       |      |       |      |       |      |       |      |       |      |       |      |       |      |       |      |       |      |      |      |       |      |       |      |       |      |       |      |       |      |       |      |       |      |       |      |      |      |       |     |      |      |      |     |      |      |      |      |      |      |      |      |      |     |      |      |
| 18            | 10677      | 79.47    | 1.58                   |             |         | 21            | 9290       |          |                        | 69.15       | 1.82    | 24          | 8198  |       |       |             |       |             |       |             |       |             |       |             |       |             |       |             |       | 61.02       | 2.1   |             |       |             |       |             |       | 28          | 7108  |             |       | 52.91       | 2.4   | 31          | 6324  | 47.07       | 2.7   |             |       | 36          | 5451  | 40.57       | 3.1   | 45          | 4430  |       |       | 32.97       | 3.8   | 15     | 13399 | 99.73  | 0.84  | F 127 | 4     | 34     | 7883  | 43.03 | 0.92  | F 107  | 4     |        |       | 17    | 11823 | 88.00 | 0.95  |        |       |       |       | 19     | 10211 | 76.00 | 1.10  |       |       |       |       |       |       | 21    | 9488  |       |      |       |       | 70.62  | 1.19  | 23    | 8653  | 64.41  | 1.30  | 26     | 7489  |        |       | 55.74  | 1.51  |        |       | 30     | 6609  | 49.19  | 1.71  |       |      | 35    | 5707  |       |       | 42.48 | 1.98 |       |       |        |       | 25    | 7808  |        |      | 58.12 | 0.92  | F 107  | 4     | 39    | 6890  |        |      | 37.61 | 1.05  |        |       | F 97   | 4     | 29     | 6816  |        |       |        |       |        |       |        |       |        |       | 50.73  | 1.06  |       |       | 34    | 5781  |       |       |       |       | 43.03 | 1.25  | 39    | 5053 | 37.61 | 1.43  | 46    | 4272  | 31.08 | 1.69  | 44    | 4540 |       |       | 33.78 | 1.59  |       |       |       |      |       |       | 54    | 3685  | 27.43 | 1.96  | 58    | 3400 | 25.31 | 2.1   |       |       | 68    | 2923  |       |      |       |       |       |       | 21.76 | 2.5   |       |      | 77    | 2580  |       |       |       |      | 19.20 | 2.8  | 53    | 3724  | 27.72 | 1.09  | F 97  | 4    | 66    | 4093 | 22.34 | 0.99  | F 87  | 4    |       |       | 58    | 3383 | 25.18 | 1.19 |       |       |       |       |       |      |       |      | 66    | 3001  |       |      | 22.34 | 1.35 |       |       |       |      | 73    | 2723  | 20.27 | 1.48  | 84    | 2340  | 17.42 | 1.73 |       |      | 97    | 2043 | 15.21 | 2.0  | 114   | 1733 | 12.90 | 2.3  |       |      | 130   | 1515 |       |      |       |      | 11.28 | 2.7  |       |      |       |      | 69    | 2864 |       |      | 21.32 | 0.98 | F 87  | 4    |       |      |       |      | 112   | 1763 | 13.12 | 1.60 | 76    | 2594 |       |      | 19.31 | 1.09 | 86    | 2300 |       |      | 17.12 | 1.23 |       |      |       |      | 95    | 2080 | 15.48 | 1.36 | 128   | 1295 | 11.46 | 2.2  | 153   | 1082 | 9.58  | 2.5  | 174   | 956  | 8.46  | 1.50 | 196   | 847  | 7.50  | 1.70 | 217   | 766  | 6.78  | 1.88 | 256   | 650  | 5.75  | 2.2  | 293   | 567  | 5.02  | 2.5  | 350   | 474  | 4.20  | 2.9  |       |      |       |      |       |      |       |      |       |      |       |      |       |      |       |      |       |      |       |      |       |      |       |      |       |      |       |      |       |      |       |      |       |      |       |      |       |      |       |      |       |      |       |      |      |      |       |      |       |      |       |      |       |      |       |      |       |      |      |      |       |      |       |      |       |      |       |      |      |      |       |      |       |      |       |      |       |      |       |      |       |      |       |      |       |      |       |      |       |      |       |      |      |      |       |      |       |      |       |      |       |      |       |      |       |      |       |      |       |      |      |      |       |     |      |      |      |     |      |      |      |      |      |      |      |      |      |     |      |      |
| 21            | 9290       | 69.15    | 1.82                   |             |         | 24            | 8198       |          |                        | 61.02       | 2.1     | 28          | 7108  |       |       |             |       |             |       |             |       |             |       |             |       |             |       |             |       | 52.91       | 2.4   |             |       |             |       |             |       | 31          | 6324  | 47.07       | 2.7   | 36          | 5451  | 40.57       | 3.1   | 45          | 4430  |             |       | 32.97       | 3.8   | 15          | 13399 | 99.73       | 0.84  | F 127 | 4     | 34          | 7883  | 43.03  | 0.92  | F 107  | 4     |       |       | 17     | 11823 | 88.00 | 0.95  |        |       |        |       | 19    | 10211 | 76.00 | 1.10  |        |       |       |       | 21     | 9488  | 70.62 | 1.19  |       |       |       |       |       |       | 23    | 8653  |       |      |       |       | 64.41  | 1.30  | 26    | 7489  | 55.74  | 1.51  | 30     | 6609  |        |       | 49.19  | 1.71  | 35     | 5707  | 42.48  | 1.98  | 25     | 7808  |       |      | 58.12 | 0.92  |       |       | F 107 | 4    |       |       |        |       | 39    | 6890  |        |      | 37.61 | 1.05  |        |       | F 97  | 4     |        |      | 29    | 6816  |        |       |        |       | 50.73  | 1.06  |        |       |        |       |        |       | 34     | 5781  |        |       | 43.03  | 1.25  |       |       | 39    | 5053  |       |       |       |       | 37.61 | 1.43  | 46    | 4272 | 31.08 | 1.69  | 44    | 4540  | 33.78 | 1.59  | 54    | 3685 |       |       | 27.43 | 1.96  |       |       |       |      | 58    | 3400  | 25.31 | 2.1   | 68    | 2923  | 21.76 | 2.5  | 77    | 2580  |       |       | 19.20 | 2.8   |       |      | 53    | 3724  |       |       | 27.72 | 1.09  |       |      | F 97  | 4     |       |       |       |      | 66    | 4093 | 22.34 | 0.99  | F 87  | 4     |       |      | 58    | 3383 | 25.18 | 1.19  |       |      |       |       | 66    | 3001 | 22.34 | 1.35 |       |       |       |       |       |      |       |      | 73    | 2723  |       |      | 20.27 | 1.48 |       |       |       |      | 84    | 2340  | 17.42 | 1.73  | 97    | 2043  | 15.21 | 2.0  |       |      | 114   | 1733 | 12.90 | 2.3  | 130   | 1515 | 11.28 | 2.7  | 69    | 2864 | 21.32 | 0.98 |       |      |       |      | F 87  | 4    |       |      | 112   | 1763 | 13.12 | 1.60 |       |      | 76    | 2594 |       |      |       |      |       |      | 19.31 | 1.09 | 86    | 2300 | 17.12 | 1.23 |       |      | 95    | 2080 | 15.48 | 1.36 | 128   | 1295 | 11.46 | 2.2  |       |      |       |      | 153   | 1082 | 9.58  | 2.5  | 174   | 956  | 8.46  | 1.50 | 196   | 847  | 7.50  | 1.70 | 217   | 766  | 6.78  | 1.88 | 256   | 650  | 5.75  | 2.2  | 293   | 567  | 5.02  | 2.5  | 350   | 474  | 4.20  | 2.9  |       |      |       |      |       |      |       |      |       |      |       |      |       |      |       |      |       |      |       |      |       |      |       |      |       |      |       |      |       |      |       |      |       |      |       |      |       |      |       |      |       |      |       |      |       |      |       |      |       |      |       |      |      |      |       |      |       |      |       |      |       |      |       |      |       |      |      |      |       |      |       |      |       |      |       |      |      |      |       |      |       |      |       |      |       |      |       |      |       |      |       |      |       |      |       |      |       |      |       |      |      |      |       |      |       |      |       |      |       |      |       |      |       |      |       |      |       |      |      |      |       |     |      |      |      |     |      |      |      |      |      |      |      |      |      |     |      |      |
| 24            | 8198       | 61.02    | 2.1                    |             |         | 28            | 7108       |          |                        | 52.91       | 2.4     | 31          | 6324  |       |       |             |       |             |       |             |       |             |       |             |       |             |       |             |       | 47.07       | 2.7   |             |       | 36          | 5451  |             |       | 40.57       | 3.1   | 45          | 4430  | 32.97       | 3.8   | 15          | 13399 | 99.73       | 0.84  | F 127       | 4     | 34          | 7883  | 43.03       | 0.92  | F 107       | 4     |       |       | 17          | 11823 | 88.00  | 0.95  |        |       |       |       | 19     | 10211 | 76.00 | 1.10  |        |       |        |       | 21    | 9488  | 70.62 | 1.19  |        |       |       |       | 23     | 8653  | 64.41 | 1.30  |       |       |       |       |       |       | 26    | 7489  |       |      |       |       | 55.74  | 1.51  | 30    | 6609  | 49.19  | 1.71  | 35     | 5707  | 42.48  | 1.98  | 25     | 7808  | 58.12  | 0.92  | F 107  | 4     | 39     | 6890  |       |      | 37.61 | 1.05  |       |       |       |      |       |       |        |       | F 97  | 4     |        |      | 29    | 6816  |        |       |       |       | 50.73  | 1.06 | 34    | 5781  |        |       |        |       | 43.03  | 1.25  |        |       |        |       |        |       | 39     | 5053  |        |       | 37.61  | 1.43  |       |       | 46    | 4272  |       |       |       |       | 31.08 | 1.69  | 44    | 4540 | 33.78 | 1.59  | 54    | 3685  | 27.43 | 1.96  | 58    | 3400 |       |       | 25.31 | 2.1   |       |       | 68    | 2923 | 21.76 | 2.5   | 77    | 2580  | 19.20 | 2.8   | 53    | 3724 | 27.72 | 1.09  |       |       | F 97  | 4     |       |      | 66    | 4093  | 22.34 | 0.99  | F 87  | 4     |       |      |       |       |       |       |       |      | 58    | 3383 | 25.18 | 1.19  |       |       |       |      | 66    | 3001 | 22.34 | 1.35  |       |      |       |       | 73    | 2723 | 20.27 | 1.48 |       |       |       |       |       |      |       |      | 84    | 2340  |       |      | 17.42 | 1.73 |       |       |       |      | 97    | 2043  | 15.21 | 2.0   | 114   | 1733  | 12.90 | 2.3  | 130   | 1515 | 11.28 | 2.7  | 69    | 2864 | 21.32 | 0.98 | F 87  | 4    | 112   | 1763 | 13.12 | 1.60 |       |      | 76    | 2594 |       |      |       |      | 19.31 | 1.09 | 86    | 2300 |       |      | 17.12 | 1.23 |       |      |       |      |       |      | 95    | 2080 | 15.48 | 1.36 | 128   | 1295 |       |      | 11.46 | 2.2  | 153   | 1082 | 9.58  | 2.5  | 174   | 956  | 8.46  | 1.50 |       |      | 196   | 847  | 7.50  | 1.70 | 217   | 766  | 6.78  | 1.88 | 256   | 650  | 5.75  | 2.2  | 293   | 567  | 5.02  | 2.5  | 350   | 474  | 4.20  | 2.9  |       |      |       |      |       |      |       |      |       |      |       |      |       |      |       |      |       |      |       |      |       |      |       |      |       |      |       |      |       |      |       |      |       |      |       |      |       |      |       |      |       |      |       |      |       |      |       |      |       |      |       |      |       |      |       |      |       |      |       |      |      |      |       |      |       |      |       |      |       |      |       |      |       |      |      |      |       |      |       |      |       |      |       |      |      |      |       |      |       |      |       |      |       |      |       |      |       |      |       |      |       |      |       |      |       |      |       |      |      |      |       |      |       |      |       |      |       |      |       |      |       |      |       |      |       |      |      |      |       |     |      |      |      |     |      |      |      |      |      |      |      |      |      |     |      |      |
| 28            | 7108       | 52.91    | 2.4                    |             |         | 31            | 6324       |          |                        | 47.07       | 2.7     | 36          | 5451  |       |       |             |       |             |       |             |       |             |       |             |       | 40.57       | 3.1   |             |       | 45          | 4430  |             |       | 32.97       | 3.8   | 15          | 13399 | 99.73       | 0.84  | F 127       | 4     | 34          | 7883  | 43.03       | 0.92  | F 107       | 4     |             |       | 17          | 11823 | 88.00       | 0.95  |             |       |       |       | 19          | 10211 | 76.00  | 1.10  |        |       |       |       | 21     | 9488  | 70.62 | 1.19  |        |       |        |       | 23    | 8653  | 64.41 | 1.30  |        |       |       |       | 26     | 7489  | 55.74 | 1.51  |       |       |       |       |       |       | 30    | 6609  |       |      |       |       | 49.19  | 1.71  | 35    | 5707  | 42.48  | 1.98  | 25     | 7808  | 58.12  | 0.92  | F 107  | 4     | 39     | 6890  |        |       | 37.61  | 1.05  |       |      | F 97  | 4     |       |       |       |      |       |       |        |       |       |       | 29     | 6816 | 50.73 | 1.06  |        |       |       |       | 34     | 5781 | 43.03 | 1.25  |        |       |        |       | 39     | 5053  |        |       |        |       |        |       | 37.61  | 1.43  |        |       | 46     | 4272  |       |       | 31.08 | 1.69  |       |       |       |       | 44    | 4540  | 33.78 | 1.59 | 54    | 3685  | 27.43 | 1.96  | 58    | 3400  | 25.31 | 2.1  |       |       | 68    | 2923  | 21.76 | 2.5   | 77    | 2580 | 19.20 | 2.8   | 53    | 3724  | 27.72 | 1.09  | F 97  | 4    | 66    | 4093  |       |       |       |       | 22.34 | 0.99 | F 87  | 4     | 58    | 3383  |       |       |       |      |       |       |       |       |       |      | 25.18 | 1.19 | 66    | 3001  |       |       |       |      | 22.34 | 1.35 | 73    | 2723  |       |      |       |       | 20.27 | 1.48 | 84    | 2340 |       |       |       |       |       |      |       |      | 17.42 | 1.73  |       |      | 97    | 2043 |       |       |       |      | 15.21 | 2.0   | 114   | 1733  | 12.90 | 2.3   | 130   | 1515 | 11.28 | 2.7  | 69    | 2864 | 21.32 | 0.98 | F 87  | 4    |       |      | 112   | 1763 | 13.12 | 1.60 | 76    | 2594 | 19.31 | 1.09 |       |      |       |      | 86    | 2300 | 17.12 | 1.23 |       |      | 95    | 2080 |       |      |       |      |       |      | 15.48 | 1.36 | 128   | 1295 | 11.46 | 2.2  |       |      | 153   | 1082 | 9.58  | 2.5  | 174   | 956  | 8.46  | 1.50 | 196   | 847  | 7.50  | 1.70 | 217   | 766  | 6.78  | 1.88 | 256   | 650  | 5.75  | 2.2  | 293   | 567  | 5.02  | 2.5  | 350   | 474  | 4.20  | 2.9  |       |      |       |      |       |      |       |      |       |      |       |      |       |      |       |      |       |      |       |      |       |      |       |      |       |      |       |      |       |      |       |      |       |      |       |      |       |      |       |      |       |      |       |      |       |      |       |      |       |      |       |      |       |      |       |      |       |      |       |      |       |      |       |      |      |      |       |      |       |      |       |      |       |      |       |      |       |      |      |      |       |      |       |      |       |      |       |      |      |      |       |      |       |      |       |      |       |      |       |      |       |      |       |      |       |      |       |      |       |      |       |      |      |      |       |      |       |      |       |      |       |      |       |      |       |      |       |      |       |      |      |      |       |     |      |      |      |     |      |      |      |      |      |      |      |      |      |     |      |      |
| 31            | 6324       | 47.07    | 2.7                    |             |         | 36            | 5451       |          |                        | 40.57       | 3.1     | 45          | 4430  |       |       |             |       |             |       |             |       | 32.97       | 3.8   |             |       | 15          | 13399 |             |       | 99.73       | 0.84  | F 127       | 4     | 34          | 7883  | 43.03       | 0.92  | F 107       | 4     |             |       | 17          | 11823 | 88.00       | 0.95  |             |       |             |       | 19          | 10211 | 76.00       | 1.10  |             |       |       |       | 21          | 9488  | 70.62  | 1.19  |        |       |       |       | 23     | 8653  | 64.41 | 1.30  |        |       |        |       | 26    | 7489  | 55.74 | 1.51  |        |       |       |       | 30     | 6609  | 49.19 | 1.71  |       |       |       |       | 35    | 5707  | 42.48 | 1.98  |       |      |       |       | 25     | 7808  | 58.12 | 0.92  | F 107  | 4     | 39     | 6890  | 37.61  | 1.05  |        |       | F 97   | 4     |        |       | 29     | 6816  |       |      |       |       |       |       |       |      |       |       | 50.73  | 1.06  |       |       | 34     | 5781 | 43.03 | 1.25  |        |       |       |       | 39     | 5053 | 37.61 | 1.43  |        |       |        |       | 46     | 4272  |        |       |        |       |        |       | 31.08  | 1.69  |        |       | 44     | 4540  |       |       | 33.78 | 1.59  |       |       |       |       | 54    | 3685  | 27.43 | 1.96 | 58    | 3400  | 25.31 | 2.1   | 68    | 2923  | 21.76 | 2.5  | 77    | 2580  | 19.20 | 2.8   | 53    | 3724  | 27.72 | 1.09 | F 97  | 4     | 66    | 4093  | 22.34 | 0.99  |       |      | F 87  | 4     |       |       |       |       | 58    | 3383 |       |       | 25.18 | 1.19  |       |       | 66    | 3001 |       |       |       |       |       |      | 22.34 | 1.35 | 73    | 2723  |       |       |       |      | 20.27 | 1.48 | 84    | 2340  |       |      |       |       | 17.42 | 1.73 | 97    | 2043 |       |       |       |       | 15.21 | 2.0  |       |      | 114   | 1733  |       |      | 12.90 | 2.3  |       |       |       |      | 130   | 1515  | 11.28 | 2.7   | 69    | 2864  | 21.32 | 0.98 | F 87  | 4    | 112   | 1763 | 13.12 | 1.60 |       |      |       |      | 76    | 2594 | 19.31 | 1.09 | 86    | 2300 | 17.12 | 1.23 |       |      | 95    | 2080 | 15.48 | 1.36 | 128   | 1295 |       |      | 11.46 | 2.2  |       |      |       |      |       |      | 153   | 1082 | 9.58  | 2.5  | 174   | 956  | 8.46  | 1.50 | 196   | 847  | 7.50  | 1.70 | 217   | 766  | 6.78  | 1.88 | 256   | 650  | 5.75  | 2.2  | 293   | 567  | 5.02  | 2.5  | 350   | 474  | 4.20  | 2.9  |       |      |       |      |       |      |       |      |       |      |       |      |       |      |       |      |       |      |       |      |       |      |       |      |       |      |       |      |       |      |       |      |       |      |       |      |       |      |       |      |       |      |       |      |       |      |       |      |       |      |       |      |       |      |       |      |       |      |       |      |       |      |       |      |       |      |       |      |       |      |       |      |      |      |       |      |       |      |       |      |       |      |       |      |       |      |      |      |       |      |       |      |       |      |       |      |      |      |       |      |       |      |       |      |       |      |       |      |       |      |       |      |       |      |       |      |       |      |       |      |      |      |       |      |       |      |       |      |       |      |       |      |       |      |       |      |       |      |      |      |       |     |      |      |      |     |      |      |      |      |      |      |      |      |      |     |      |      |
| 36            | 5451       | 40.57    | 3.1                    |             |         | 45            | 4430       |          |                        | 32.97       | 3.8     | 15          | 13399 |       |       |             |       | 99.73       | 0.84  |             |       | F 127       | 4     |             |       | 34          | 7883  | 43.03       | 0.92  | F 107       | 4     |             |       | 17          | 11823 | 88.00       | 0.95  |             |       |             |       | 19          | 10211 | 76.00       | 1.10  |             |       |             |       | 21          | 9488  | 70.62       | 1.19  |             |       |       |       | 23          | 8653  | 64.41  | 1.30  |        |       |       |       | 26     | 7489  | 55.74 | 1.51  |        |       |        |       | 30    | 6609  | 49.19 | 1.71  |        |       |       |       | 35     | 5707  | 42.48 | 1.98  | 25    | 7808  |       |       | 58.12 | 0.92  | F 107 | 4     |       |      |       |       | 39     | 6890  | 37.61 | 1.05  |        |       | F 97   | 4     | 29     | 6816  |        |       |        |       |        |       | 50.73  | 1.06  |       |      |       |       |       |       |       |      | 34    | 5781  | 43.03  | 1.25  |       |       | 39     | 5053 | 37.61 | 1.43  |        |       |       |       | 46     | 4272 | 31.08 | 1.69  |        |       |        |       | 44     | 4540  |        |       |        |       |        |       | 33.78  | 1.59  |        |       | 54     | 3685  |       |       | 27.43 | 1.96  |       |       |       |       | 58    | 3400  | 25.31 | 2.1  | 68    | 2923  | 21.76 | 2.5   | 77    | 2580  | 19.20 | 2.8  | 53    | 3724  | 27.72 | 1.09  | F 97  | 4     | 66    | 4093 |       |       | 22.34 | 0.99  | F 87  | 4     |       |      |       |       |       |       |       |       | 58    | 3383 |       |       | 25.18 | 1.19  |       |       | 66    | 3001 |       |       | 22.34 | 1.35  |       |      | 73    | 2723 | 20.27 | 1.48  |       |       |       |      | 84    | 2340 | 17.42 | 1.73  |       |      |       |       | 97    | 2043 | 15.21 | 2.0  |       |       |       |       | 114   | 1733 | 12.90 | 2.3  | 130   | 1515  |       |      | 11.28 | 2.7  |       |       |       |      | 69    | 2864  | 21.32 | 0.98  | F 87  | 4     | 112   | 1763 |       |      | 13.12 | 1.60 | 76    | 2594 |       |      |       |      | 19.31 | 1.09 | 86    | 2300 | 17.12 | 1.23 | 95    | 2080 |       |      | 15.48 | 1.36 | 128   | 1295 | 11.46 | 2.2  | 153   | 1082 | 9.58  | 2.5  | 174   | 956  |       |      |       |      | 8.46  | 1.50 | 196   | 847  | 7.50  | 1.70 | 217   | 766  | 6.78  | 1.88 | 256   | 650  | 5.75  | 2.2  | 293   | 567  | 5.02  | 2.5  | 350   | 474  | 4.20  | 2.9  |       |      |       |      |       |      |       |      |       |      |       |      |       |      |       |      |       |      |       |      |       |      |       |      |       |      |       |      |       |      |       |      |       |      |       |      |       |      |       |      |       |      |       |      |       |      |       |      |       |      |       |      |       |      |       |      |       |      |       |      |       |      |       |      |       |      |       |      |       |      |       |      |       |      |       |      |       |      |      |      |       |      |       |      |       |      |       |      |       |      |       |      |      |      |       |      |       |      |       |      |       |      |      |      |       |      |       |      |       |      |       |      |       |      |       |      |       |      |       |      |       |      |       |      |       |      |      |      |       |      |       |      |       |      |       |      |       |      |       |      |       |      |       |      |      |      |       |     |      |      |      |     |      |      |      |      |      |      |      |      |      |     |      |      |
| 45            | 4430       | 32.97    | 3.8                    |             |         | 15            | 13399      |          |                        | 99.73       | 0.84    | F 127       | 4     | 34    | 7883  |             |       | 43.03       | 0.92  |             |       |             |       | F 107       | 4     | 17          | 11823 | 88.00       | 0.95  |             |       |             |       | 19          | 10211 | 76.00       | 1.10  |             |       |             |       | 21          | 9488  | 70.62       | 1.19  |             |       |             |       | 23          | 8653  | 64.41       | 1.30  |             |       |       |       | 26          | 7489  | 55.74  | 1.51  |        |       |       |       | 30     | 6609  | 49.19 | 1.71  |        |       |        |       | 35    | 5707  | 42.48 | 1.98  |        |       | 25    | 7808  | 58.12  | 0.92  | F 107 | 4     | 39    | 6890  |       |       | 37.61 | 1.05  |       |       |       |      |       |       | F 97   | 4     | 29    | 6816  |        |       |        |       | 50.73  | 1.06  |        |       |        |       |        |       | 34     | 5781  |       |      |       |       | 43.03 | 1.25  |       |      | 39    | 5053  | 37.61  | 1.43  |       |       | 46     | 4272 | 31.08 | 1.69  |        |       |       |       | 44     | 4540 | 33.78 | 1.59  |        |       |        |       | 54     | 3685  |        |       |        |       |        |       | 27.43  | 1.96  | 58     | 3400  | 25.31  | 2.1   |       |       | 68    | 2923  |       |       |       |       | 21.76 | 2.5   | 77    | 2580 | 19.20 | 2.8   | 53    | 3724  | 27.72 | 1.09  | F 97  | 4    | 66    | 4093  | 22.34 | 0.99  |       |       | F 87  | 4    |       |       | 58    | 3383  |       |       |       |      |       |       |       |       |       |       | 25.18 | 1.19 |       |       | 66    | 3001  |       |       | 22.34 | 1.35 |       |       | 73    | 2723  | 20.27 | 1.48 | 84    | 2340 | 17.42 | 1.73  |       |       |       |      | 97    | 2043 | 15.21 | 2.0   |       |      |       |       | 114   | 1733 | 12.90 | 2.3  |       |       | 130   | 1515  | 11.28 | 2.7  | 69    | 2864 | 21.32 | 0.98  |       |      | F 87  | 4    |       |       |       |      | 112   | 1763  | 13.12 | 1.60  |       |       | 76    | 2594 |       |      | 19.31 | 1.09 | 86    | 2300 |       |      |       |      | 17.12 | 1.23 | 95    | 2080 | 15.48 | 1.36 | 128   | 1295 | 11.46 | 2.2  | 153   | 1082 | 9.58  | 2.5  | 174   | 956  | 8.46  | 1.50 | 196   | 847  | 7.50  | 1.70 |       |      | 217   | 766  | 6.78  | 1.88 | 256   | 650  | 5.75  | 2.2  | 293   | 567  | 5.02  | 2.5  | 350   | 474  | 4.20  | 2.9  |       |      |       |      |       |      |       |      |       |      |       |      |       |      |       |      |       |      |       |      |       |      |       |      |       |      |       |      |       |      |       |      |       |      |       |      |       |      |       |      |       |      |       |      |       |      |       |      |       |      |       |      |       |      |       |      |       |      |       |      |       |      |       |      |       |      |       |      |       |      |       |      |       |      |       |      |       |      |       |      |       |      |       |      |       |      |      |      |       |      |       |      |       |      |       |      |       |      |       |      |      |      |       |      |       |      |       |      |       |      |      |      |       |      |       |      |       |      |       |      |       |      |       |      |       |      |       |      |       |      |       |      |       |      |      |      |       |      |       |      |       |      |       |      |       |      |       |      |       |      |       |      |      |      |       |     |      |      |      |     |      |      |      |      |      |      |      |      |      |     |      |      |
| 15            | 13399      | 99.73    | 0.84                   |             |         | F 127         | 4          | 34       | 7883                   | 43.03       | 0.92    |             |       | F 107 | 4     |             |       |             |       |             |       |             |       |             |       |             |       |             |       |             |       |             |       |             |       |             |       |             |       |             |       |             |       |             |       |             |       |             |       |             |       |             |       |             |       |       |       |             |       |        |       |        |       |       |       |        |       |       |       |        |       |        |       |       |       |       |       |        |       |       |       |        |       |       |       |       |       |       |       |       |       |       |       |       |      |       |       |        |       |       |       |        |       |        |       |        |       |        |       |        |       |        |       |        |       |       |      |       |       |       |       |       |      |       |       |        |       |       |       |        |      |       |       |        |       |       |       |        |      |       |       |        |       |        |       |        |       |        |       |        |       |        |       |        |       |        |       |        |       |       |       |       |       |       |       |       |       |       |       |       |      |       |       |       |       |       |       |       |      |       |       |       |       |       |       |       |      |       |       |       |       |       |       |       |      |       |       |       |       |       |       |       |      |       |       |       |       |       |       |       |      |       |       |       |       |       |      |       |      |       |       |       |       |       |      |       |      |       |       |       |      |       |       |       |      |       |      |       |       |       |       |       |      |       |      |       |       |       |      |       |      |       |       |       |      |       |       |       |       |       |       |       |      |       |      |       |      |       |      |       |      |       |      |       |      |       |      |       |      |       |      |       |      |       |      |       |      |       |      |       |      |       |      |       |      |       |      |       |      |       |      |       |      |       |      |       |      |       |      |       |      |       |      |       |      |       |      |       |      |       |      |       |      |       |      |       |      |       |      |       |      |       |      |       |      |       |      |       |      |       |      |       |      |       |      |       |      |       |      |       |      |       |      |       |      |       |      |       |      |       |      |       |      |       |      |       |      |       |      |       |      |       |      |       |      |       |      |       |      |       |      |       |      |       |      |       |      |       |      |       |      |       |      |       |      |       |      |       |      |      |      |       |      |       |      |       |      |       |      |       |      |       |      |      |      |       |      |       |      |       |      |       |      |      |      |       |      |       |      |       |      |       |      |       |      |       |      |       |      |       |      |       |      |       |      |       |      |      |      |       |      |       |      |       |      |       |      |       |      |       |      |       |      |       |      |      |      |       |     |      |      |      |     |      |      |      |      |      |      |      |      |      |     |      |      |
| 17            | 11823      | 88.00    | 0.95                   | 19          | 10211   |               |            | 76.00    | 1.10                   | 21          | 9488    |             |       |       |       | 70.62       | 1.19  | 23          | 8653  | 64.41       | 1.30  |             |       |             |       | 26          | 7489  | 55.74       | 1.51  |             |       |             |       | 30          | 6609  | 49.19       | 1.71  |             |       |             |       | 35          | 5707  | 42.48       | 1.98  |             |       |             |       | 25          | 7808  | 58.12       | 0.92  |             |       |       |       | F 107       | 4     | 39     | 6890  |        |       | 37.61 | 1.05  | F 97   | 4     | 29    | 6816  |        |       | 50.73  | 1.06  | 34    | 5781  | 43.03 | 1.25  |        |       | 39    | 5053  | 37.61  | 1.43  |       |       | 46    | 4272  |       |       | 31.08 | 1.69  |       |       |       |      |       |       |        |       | 44    | 4540  |        |       |        |       | 33.78  | 1.59  |        |       |        |       |        |       | 54     | 3685  | 27.43 | 1.96 |       |       | 58    | 3400  |       |      | 25.31 | 2.1   | 68     | 2923  |       |       | 21.76  | 2.5  | 77    | 2580  |        |       |       |       | 19.20  | 2.8  | 53    | 3724  |        |       |        |       | 27.72  | 1.09  | F 97   | 4     |        |       | 66     | 4093  | 22.34  | 0.99  | F 87   | 4     | 58     | 3383  |       |       | 25.18 | 1.19  |       |       |       |       | 66    | 3001  | 22.34 | 1.35 | 73    | 2723  | 20.27 | 1.48  | 84    | 2340  |       |      | 17.42 | 1.73  | 97    | 2043  |       |       |       |      |       |       | 15.21 | 2.0   |       |       |       |      |       |       | 114   | 1733  |       |       | 12.90 | 2.3  |       |       | 130   | 1515  |       |       | 11.28 | 2.7  |       |       | 69    | 2864  | 21.32 | 0.98 | F 87  | 4    | 112   | 1763  |       |       | 13.12 | 1.60 | 76    | 2594 | 19.31 | 1.09  |       |      | 86    | 2300  | 17.12 | 1.23 | 95    | 2080 |       |       | 15.48 | 1.36  | 128   | 1295 | 11.46 | 2.2  | 153   | 1082  |       |      |       |      |       |       |       |      | 9.58  | 2.5   | 174   | 956   |       |       | 8.46  | 1.50 |       |      | 196   | 847  | 7.50  | 1.70 | 217   | 766  | 6.78  | 1.88 | 256   | 650  | 5.75  | 2.2  | 293   | 567  | 5.02  | 2.5  | 350   | 474  | 4.20  | 2.9  |       |      |       |      |       |      |       |      |       |      |       |      |       |      |       |      |       |      |       |      |       |      |       |      |       |      |       |      |       |      |       |      |       |      |       |      |       |      |       |      |       |      |       |      |       |      |       |      |       |      |       |      |       |      |       |      |       |      |       |      |       |      |       |      |       |      |       |      |       |      |       |      |       |      |       |      |       |      |       |      |       |      |       |      |       |      |       |      |       |      |       |      |       |      |       |      |       |      |       |      |       |      |       |      |       |      |       |      |       |      |       |      |       |      |      |      |       |      |       |      |       |      |       |      |       |      |       |      |      |      |       |      |       |      |       |      |       |      |      |      |       |      |       |      |       |      |       |      |       |      |       |      |       |      |       |      |       |      |       |      |       |      |      |      |       |      |       |      |       |      |       |      |       |      |       |      |       |      |       |      |      |      |       |     |      |      |      |     |      |      |      |      |      |      |      |      |      |     |      |      |
| 19            | 10211      | 76.00    | 1.10                   | 21          | 9488    |               |            | 70.62    | 1.19                   | 23          | 8653    |             |       |       |       | 64.41       | 1.30  | 26          | 7489  | 55.74       | 1.51  |             |       |             |       | 30          | 6609  | 49.19       | 1.71  |             |       |             |       | 35          | 5707  | 42.48       | 1.98  |             |       |             |       | 25          | 7808  | 58.12       | 0.92  |             |       |             |       | F 107       | 4     | 39          | 6890  |             |       | 37.61 | 1.05  |             |       | F 97   | 4     |        |       | 29    | 6816  |        |       | 50.73 | 1.06  |        |       | 34     | 5781  | 43.03 | 1.25  | 39    | 5053  |        |       | 37.61 | 1.43  | 46     | 4272  |       |       | 31.08 | 1.69  |       |       | 44    | 4540  |       |       |       |      | 33.78 | 1.59  |        |       | 54    | 3685  |        |       |        |       | 27.43  | 1.96  |        |       |        |       |        |       | 58     | 3400  | 25.31 | 2.1  |       |       | 68    | 2923  |       |      | 21.76 | 2.5   | 77     | 2580  |       |       | 19.20  | 2.8  | 53    | 3724  |        |       |       |       | 27.72  | 1.09 | F 97  | 4     | 66     | 4093  |        |       | 22.34  | 0.99  |        |       |        |       | F 87   | 4     | 58     | 3383  |        |       | 25.18  | 1.19  |       |       | 66    | 3001  | 22.34 | 1.35  |       |       | 73    | 2723  | 20.27 | 1.48 | 84    | 2340  | 17.42 | 1.73  | 97    | 2043  |       |      | 15.21 | 2.0   | 114   | 1733  |       |       |       |      |       |       | 12.90 | 2.3   |       |       |       |      |       |       | 130   | 1515  |       |       | 11.28 | 2.7  |       |       | 69    | 2864  |       |       | 21.32 | 0.98 | F 87  | 4     | 112   | 1763  | 13.12 | 1.60 |       |      | 76    | 2594  |       |       | 19.31 | 1.09 | 86    | 2300 | 17.12 | 1.23  |       |      | 95    | 2080  | 15.48 | 1.36 | 128   | 1295 |       |       | 11.46 | 2.2   | 153   | 1082 | 9.58  | 2.5  | 174   | 956   | 8.46  | 1.50 |       |      |       |       |       |      | 196   | 847   | 7.50  | 1.70  |       |       | 217   | 766  | 6.78  | 1.88 | 256   | 650  | 5.75  | 2.2  | 293   | 567  | 5.02  | 2.5  | 350   | 474  | 4.20  | 2.9  |       |      |       |      |       |      |       |      |       |      |       |      |       |      |       |      |       |      |       |      |       |      |       |      |       |      |       |      |       |      |       |      |       |      |       |      |       |      |       |      |       |      |       |      |       |      |       |      |       |      |       |      |       |      |       |      |       |      |       |      |       |      |       |      |       |      |       |      |       |      |       |      |       |      |       |      |       |      |       |      |       |      |       |      |       |      |       |      |       |      |       |      |       |      |       |      |       |      |       |      |       |      |       |      |       |      |       |      |       |      |       |      |       |      |       |      |       |      |       |      |       |      |      |      |       |      |       |      |       |      |       |      |       |      |       |      |      |      |       |      |       |      |       |      |       |      |      |      |       |      |       |      |       |      |       |      |       |      |       |      |       |      |       |      |       |      |       |      |       |      |      |      |       |      |       |      |       |      |       |      |       |      |       |      |       |      |       |      |      |      |       |     |      |      |      |     |      |      |      |      |      |      |      |      |      |     |      |      |
| 21            | 9488       | 70.62    | 1.19                   | 23          | 8653    |               |            | 64.41    | 1.30                   | 26          | 7489    |             |       |       |       | 55.74       | 1.51  | 30          | 6609  | 49.19       | 1.71  |             |       |             |       | 35          | 5707  | 42.48       | 1.98  |             |       |             |       | 25          | 7808  | 58.12       | 0.92  |             |       |             |       | F 107       | 4     | 39          | 6890  |             |       | 37.61       | 1.05  |             |       | F 97        | 4     |             |       | 29    | 6816  |             |       |        |       |        |       | 50.73 | 1.06  |        |       | 34    | 5781  |        |       | 43.03  | 1.25  | 39    | 5053  | 37.61 | 1.43  |        |       | 46    | 4272  | 31.08  | 1.69  |       |       | 44    | 4540  |       |       | 33.78 | 1.59  |       |       | 54    | 3685 | 27.43 | 1.96  |        |       | 58    | 3400  |        |       |        |       | 25.31  | 2.1   |        |       |        |       |        |       | 68     | 2923  | 21.76 | 2.5  |       |       | 77    | 2580  |       |      | 19.20 | 2.8   | 53     | 3724  |       |       | 27.72  | 1.09 | F 97  | 4     | 66     | 4093  |       |       | 22.34  | 0.99 |       |       | F 87   | 4     |        |       | 58     | 3383  |        |       |        |       |        |       | 25.18  | 1.19  |        |       | 66     | 3001  |       |       | 22.34 | 1.35  | 73    | 2723  | 20.27 | 1.48  | 84    | 2340  | 17.42 | 1.73 | 97    | 2043  | 15.21 | 2.0   | 114   | 1733  |       |      | 12.90 | 2.3   | 130   | 1515  |       |       |       |      |       |       | 11.28 | 2.7   |       |       |       |      |       |       | 69    | 2864  | 21.32 | 0.98  | F 87  | 4    |       |       | 112   | 1763  |       |       | 13.12 | 1.60 |       |       | 76    | 2594  | 19.31 | 1.09 |       |      | 86    | 2300  |       |       | 17.12 | 1.23 | 95    | 2080 | 15.48 | 1.36  |       |      | 128   | 1295  | 11.46 | 2.2  | 153   | 1082 |       |       | 9.58  | 2.5   | 174   | 956  | 8.46  | 1.50 | 196   | 847   | 7.50  | 1.70 |       |      | 217   | 766   |       |      | 6.78  | 1.88  | 256   | 650   | 5.75  | 2.2   | 293   | 567  | 5.02  | 2.5  | 350   | 474  | 4.20  | 2.9  |       |      |       |      |       |      |       |      |       |      |       |      |       |      |       |      |       |      |       |      |       |      |       |      |       |      |       |      |       |      |       |      |       |      |       |      |       |      |       |      |       |      |       |      |       |      |       |      |       |      |       |      |       |      |       |      |       |      |       |      |       |      |       |      |       |      |       |      |       |      |       |      |       |      |       |      |       |      |       |      |       |      |       |      |       |      |       |      |       |      |       |      |       |      |       |      |       |      |       |      |       |      |       |      |       |      |       |      |       |      |       |      |       |      |       |      |       |      |       |      |       |      |       |      |       |      |       |      |       |      |      |      |       |      |       |      |       |      |       |      |       |      |       |      |      |      |       |      |       |      |       |      |       |      |      |      |       |      |       |      |       |      |       |      |       |      |       |      |       |      |       |      |       |      |       |      |       |      |      |      |       |      |       |      |       |      |       |      |       |      |       |      |       |      |       |      |      |      |       |     |      |      |      |     |      |      |      |      |      |      |      |      |      |     |      |      |
| 23            | 8653       | 64.41    | 1.30                   | 26          | 7489    |               |            | 55.74    | 1.51                   | 30          | 6609    |             |       |       |       | 49.19       | 1.71  | 35          | 5707  | 42.48       | 1.98  |             |       |             |       | 25          | 7808  | 58.12       | 0.92  |             |       |             |       | F 107       | 4     | 39          | 6890  |             |       | 37.61       | 1.05  |             |       | F 97        | 4     |             |       | 29          | 6816  |             |       |             |       |             |       | 50.73 | 1.06  |             |       |        |       |        |       | 34    | 5781  |        |       | 43.03 | 1.25  |        |       | 39     | 5053  | 37.61 | 1.43  | 46    | 4272  |        |       | 31.08 | 1.69  | 44     | 4540  |       |       | 33.78 | 1.59  | 54    | 3685  | 27.43 | 1.96  |       |       | 58    | 3400 | 25.31 | 2.1   |        |       | 68    | 2923  |        |       |        |       | 21.76  | 2.5   |        |       |        |       |        |       | 77     | 2580  | 19.20 | 2.8  |       |       | 53    | 3724  | 27.72 | 1.09 | F 97  | 4     | 66     | 4093  |       |       | 22.34  | 0.99 |       |       | F 87   | 4     |       |       | 58     | 3383 |       |       |        |       |        |       | 25.18  | 1.19  |        |       |        |       |        |       | 66     | 3001  |        |       | 22.34  | 1.35  | 73    | 2723  | 20.27 | 1.48  | 84    | 2340  | 17.42 | 1.73  | 97    | 2043  | 15.21 | 2.0  | 114   | 1733  | 12.90 | 2.3   | 130   | 1515  |       |      | 11.28 | 2.7   | 69    | 2864  |       |       |       |      |       |       | 21.32 | 0.98  |       |       | F 87  | 4    |       |       | 112   | 1763  | 13.12 | 1.60  |       |      |       |       | 76    | 2594  |       |       | 19.31 | 1.09 |       |       | 86    | 2300  | 17.12 | 1.23 |       |      | 95    | 2080  |       |       | 15.48 | 1.36 | 128   | 1295 | 11.46 | 2.2   |       |      | 153   | 1082  | 9.58  | 2.5  | 174   | 956  |       |       | 8.46  | 1.50  | 196   | 847  | 7.50  | 1.70 | 217   | 766   | 6.78  | 1.88 | 256   | 650  | 5.75  | 2.2   | 293   | 567  | 5.02  | 2.5   | 350   | 474   | 4.20  | 2.9   |       |      |       |      |       |      |       |      |       |      |       |      |       |      |       |      |       |      |       |      |       |      |       |      |       |      |       |      |       |      |       |      |       |      |       |      |       |      |       |      |       |      |       |      |       |      |       |      |       |      |       |      |       |      |       |      |       |      |       |      |       |      |       |      |       |      |       |      |       |      |       |      |       |      |       |      |       |      |       |      |       |      |       |      |       |      |       |      |       |      |       |      |       |      |       |      |       |      |       |      |       |      |       |      |       |      |       |      |       |      |       |      |       |      |       |      |       |      |       |      |       |      |       |      |       |      |       |      |       |      |       |      |       |      |       |      |       |      |      |      |       |      |       |      |       |      |       |      |       |      |       |      |      |      |       |      |       |      |       |      |       |      |      |      |       |      |       |      |       |      |       |      |       |      |       |      |       |      |       |      |       |      |       |      |       |      |      |      |       |      |       |      |       |      |       |      |       |      |       |      |       |      |       |      |      |      |       |     |      |      |      |     |      |      |      |      |      |      |      |      |      |     |      |      |
| 26            | 7489       | 55.74    | 1.51                   | 30          | 6609    |               |            | 49.19    | 1.71                   | 35          | 5707    |             |       |       |       | 42.48       | 1.98  | 25          | 7808  | 58.12       | 0.92  |             |       |             |       | F 107       | 4     | 39          | 6890  |             |       | 37.61       | 1.05  |             |       | F 97        | 4     |             |       | 29          | 6816  |             |       |             |       |             |       | 50.73       | 1.06  |             |       |             |       |             |       | 34    | 5781  |             |       |        |       |        |       | 43.03 | 1.25  |        |       | 39    | 5053  |        |       | 37.61  | 1.43  | 46    | 4272  | 31.08 | 1.69  | 44     | 4540  | 33.78 | 1.59  | 54     | 3685  |       |       | 27.43 | 1.96  | 58    | 3400  | 25.31 | 2.1   |       |       | 68    | 2923 | 21.76 | 2.5   |        |       | 77    | 2580  |        |       |        |       | 19.20  | 2.8   |        |       |        |       | 53     | 3724  | 27.72  | 1.09  | F 97  | 4    |       |       | 66    | 4093  | 22.34 | 0.99 |       |       | F 87   | 4     |       |       | 58     | 3383 |       |       |        |       |       |       | 25.18  | 1.19 |       |       |        |       |        |       | 66     | 3001  |        |       | 22.34  | 1.35  |        |       | 73     | 2723  |        |       | 20.27  | 1.48  | 84    | 2340  | 17.42 | 1.73  | 97    | 2043  | 15.21 | 2.0   | 114   | 1733  | 12.90 | 2.3  | 130   | 1515  | 11.28 | 2.7   | 69    | 2864  |       |      | 21.32 | 0.98  | F 87  | 4     |       |       |       |      | 112   | 1763  | 13.12 | 1.60  |       |       |       |      |       |       | 76    | 2594  | 19.31 | 1.09  |       |      |       |       | 86    | 2300  |       |       | 17.12 | 1.23 |       |       | 95    | 2080  | 15.48 | 1.36 |       |      | 128   | 1295  |       |       | 11.46 | 2.2  | 153   | 1082 | 9.58  | 2.5   |       |      | 174   | 956   | 8.46  | 1.50 | 196   | 847  | 7.50  | 1.70  | 217   | 766   | 6.78  | 1.88 | 256   | 650  | 5.75  | 2.2   | 293   | 567  | 5.02  | 2.5  | 350   | 474   | 4.20  | 2.9  |       |       |       |       |       |       |       |      |       |      |       |      |       |      |       |      |       |      |       |      |       |      |       |      |       |      |       |      |       |      |       |      |       |      |       |      |       |      |       |      |       |      |       |      |       |      |       |      |       |      |       |      |       |      |       |      |       |      |       |      |       |      |       |      |       |      |       |      |       |      |       |      |       |      |       |      |       |      |       |      |       |      |       |      |       |      |       |      |       |      |       |      |       |      |       |      |       |      |       |      |       |      |       |      |       |      |       |      |       |      |       |      |       |      |       |      |       |      |       |      |       |      |       |      |       |      |       |      |       |      |       |      |       |      |       |      |       |      |       |      |       |      |       |      |      |      |       |      |       |      |       |      |       |      |       |      |       |      |      |      |       |      |       |      |       |      |       |      |      |      |       |      |       |      |       |      |       |      |       |      |       |      |       |      |       |      |       |      |       |      |       |      |      |      |       |      |       |      |       |      |       |      |       |      |       |      |       |      |       |      |      |      |       |     |      |      |      |     |      |      |      |      |      |      |      |      |      |     |      |      |
| 30            | 6609       | 49.19    | 1.71                   | 35          | 5707    |               |            | 42.48    | 1.98                   | 25          | 7808    |             |       |       |       | 58.12       | 0.92  | F 107       | 4     | 39          | 6890  | 37.61       | 1.05  |             |       |             |       | F 97        | 4     |             |       | 29          | 6816  |             |       |             |       |             |       | 50.73       | 1.06  |             |       |             |       |             |       | 34          | 5781  |             |       |             |       |             |       | 43.03 | 1.25  |             |       |        |       |        |       | 39    | 5053  |        |       | 37.61 | 1.43  | 46     | 4272  | 31.08  | 1.69  | 44    | 4540  | 33.78 | 1.59  | 54     | 3685  | 27.43 | 1.96  | 58     | 3400  |       |       | 25.31 | 2.1   | 68    | 2923  | 21.76 | 2.5   |       |       | 77    | 2580 | 19.20 | 2.8   |        |       | 53    | 3724  |        |       |        |       | 27.72  | 1.09  | F 97   | 4     |        |       | 66     | 4093  | 22.34  | 0.99  |       |      |       |       | F 87  | 4     | 58    | 3383 |       |       |        |       |       |       | 25.18  | 1.19 |       |       |        |       |       |       | 66     | 3001 |       |       |        |       | 22.34  | 1.35  | 73     | 2723  |        |       | 20.27  | 1.48  |        |       | 84     | 2340  |        |       | 17.42  | 1.73  | 97    | 2043  | 15.21 | 2.0   | 114   | 1733  | 12.90 | 2.3   | 130   | 1515  | 11.28 | 2.7  | 69    | 2864  | 21.32 | 0.98  | F 87  | 4     |       |      | 112   | 1763  |       |       | 13.12 | 1.60  |       |      | 76    | 2594  | 19.31 | 1.09  |       |       |       |      |       |       | 86    | 2300  | 17.12 | 1.23  |       |      |       |       | 95    | 2080  |       |       | 15.48 | 1.36 |       |       | 128   | 1295  | 11.46 | 2.2  | 153   | 1082 | 9.58  | 2.5   |       |       | 174   | 956  | 8.46  | 1.50 | 196   | 847   | 7.50  | 1.70 | 217   | 766   | 6.78  | 1.88 | 256   | 650  | 5.75  | 2.2   | 293   | 567   | 5.02  | 2.5  | 350   | 474  | 4.20  | 2.9   |       |      |       |      |       |       |       |      |       |       |       |       |       |       |       |      |       |      |       |      |       |      |       |      |       |      |       |      |       |      |       |      |       |      |       |      |       |      |       |      |       |      |       |      |       |      |       |      |       |      |       |      |       |      |       |      |       |      |       |      |       |      |       |      |       |      |       |      |       |      |       |      |       |      |       |      |       |      |       |      |       |      |       |      |       |      |       |      |       |      |       |      |       |      |       |      |       |      |       |      |       |      |       |      |       |      |       |      |       |      |       |      |       |      |       |      |       |      |       |      |       |      |       |      |       |      |       |      |       |      |       |      |       |      |       |      |       |      |       |      |       |      |       |      |       |      |       |      |       |      |       |      |      |      |       |      |       |      |       |      |       |      |       |      |       |      |      |      |       |      |       |      |       |      |       |      |      |      |       |      |       |      |       |      |       |      |       |      |       |      |       |      |       |      |       |      |       |      |       |      |      |      |       |      |       |      |       |      |       |      |       |      |       |      |       |      |       |      |      |      |       |     |      |      |      |     |      |      |      |      |      |      |      |      |      |     |      |      |
| 35            | 5707       | 42.48    | 1.98                   | 25          | 7808    |               |            | 58.12    | 0.92                   | F 107       | 4       | 39          | 6890  |       |       | 37.61       | 1.05  |             |       | F 97        | 4     | 29          | 6816  |             |       |             |       |             |       |             |       | 50.73       | 1.06  |             |       |             |       |             |       | 34          | 5781  |             |       |             |       |             |       | 43.03       | 1.25  |             |       |             |       |             |       | 39    | 5053  |             |       |        |       | 37.61  | 1.43  | 46    | 4272  |        |       | 31.08 | 1.69  | 44     | 4540  | 33.78  | 1.59  | 54    | 3685  | 27.43 | 1.96  | 58     | 3400  | 25.31 | 2.1   | 68     | 2923  |       |       | 21.76 | 2.5   | 77    | 2580  | 19.20 | 2.8   |       |       | 53    | 3724 | 27.72 | 1.09  |        |       | F 97  | 4     | 66     | 4093  |        |       | 22.34  | 0.99  |        |       |        |       | F 87   | 4     | 58     | 3383  |       |      |       |       |       |       | 25.18 | 1.19 |       |       |        |       |       |       | 66     | 3001 |       |       |        |       | 22.34 | 1.35  | 73     | 2723 |       |       |        |       | 20.27  | 1.48  | 84     | 2340  |        |       | 17.42  | 1.73  |        |       | 97     | 2043  |        |       | 15.21  | 2.0   | 114   | 1733  | 12.90 | 2.3   | 130   | 1515  | 11.28 | 2.7   | 69    | 2864  | 21.32 | 0.98 | F 87  | 4     | 112   | 1763  |       |       | 13.12 | 1.60 | 76    | 2594  |       |       | 19.31 | 1.09  |       |      | 86    | 2300  | 17.12 | 1.23  |       |       |       |      |       |       | 95    | 2080  | 15.48 | 1.36  |       |      |       |       | 128   | 1295  |       |       | 11.46 | 2.2  | 153   | 1082  | 9.58  | 2.5   | 174   | 956  | 8.46  | 1.50 | 196   | 847   | 7.50  | 1.70  | 217   | 766  | 6.78  | 1.88 | 256   | 650   | 5.75  | 2.2  | 293   | 567   | 5.02  | 2.5  | 350   | 474  | 4.20  | 2.9   |       |       |       |      |       |      |       |       |       |      |       |      |       |       |       |      |       |       |       |       |       |       |       |      |       |      |       |      |       |      |       |      |       |      |       |      |       |      |       |      |       |      |       |      |       |      |       |      |       |      |       |      |       |      |       |      |       |      |       |      |       |      |       |      |       |      |       |      |       |      |       |      |       |      |       |      |       |      |       |      |       |      |       |      |       |      |       |      |       |      |       |      |       |      |       |      |       |      |       |      |       |      |       |      |       |      |       |      |       |      |       |      |       |      |       |      |       |      |       |      |       |      |       |      |       |      |       |      |       |      |       |      |       |      |       |      |       |      |       |      |       |      |       |      |       |      |       |      |       |      |       |      |       |      |       |      |       |      |       |      |      |      |       |      |       |      |       |      |       |      |       |      |       |      |      |      |       |      |       |      |       |      |       |      |      |      |       |      |       |      |       |      |       |      |       |      |       |      |       |      |       |      |       |      |       |      |       |      |      |      |       |      |       |      |       |      |       |      |       |      |       |      |       |      |       |      |      |      |       |     |      |      |      |     |      |      |      |      |      |      |      |      |      |     |      |      |
| 25            | 7808       | 58.12    | 0.92                   | F 107       | 4       | 39            | 6890       | 37.61    | 1.05                   |             |         | F 97        | 4     |       |       |             |       |             |       |             |       |             |       |             |       |             |       |             |       |             |       |             |       |             |       |             |       |             |       |             |       |             |       |             |       |             |       |             |       |             |       |             |       |             |       |       |       |             |       |        |       |        |       |       |       |        |       |       |       |        |       |        |       |       |       |       |       |        |       |       |       |        |       |       |       |       |       |       |       |       |       |       |       |       |      |       |       |        |       |       |       |        |       |        |       |        |       |        |       |        |       |        |       |        |       |       |      |       |       |       |       |       |      |       |       |        |       |       |       |        |      |       |       |        |       |       |       |        |      |       |       |        |       |        |       |        |       |        |       |        |       |        |       |        |       |        |       |        |       |       |       |       |       |       |       |       |       |       |       |       |      |       |       |       |       |       |       |       |      |       |       |       |       |       |       |       |      |       |       |       |       |       |       |       |      |       |       |       |       |       |       |       |      |       |       |       |       |       |       |       |      |       |       |       |       |       |      |       |      |       |       |       |       |       |      |       |      |       |       |       |      |       |       |       |      |       |      |       |       |       |       |       |      |       |      |       |       |       |      |       |      |       |       |       |      |       |       |       |       |       |       |       |      |       |      |       |      |       |      |       |      |       |      |       |      |       |      |       |      |       |      |       |      |       |      |       |      |       |      |       |      |       |      |       |      |       |      |       |      |       |      |       |      |       |      |       |      |       |      |       |      |       |      |       |      |       |      |       |      |       |      |       |      |       |      |       |      |       |      |       |      |       |      |       |      |       |      |       |      |       |      |       |      |       |      |       |      |       |      |       |      |       |      |       |      |       |      |       |      |       |      |       |      |       |      |       |      |       |      |       |      |       |      |       |      |       |      |       |      |       |      |       |      |       |      |       |      |       |      |       |      |       |      |       |      |       |      |       |      |      |      |       |      |       |      |       |      |       |      |       |      |       |      |      |      |       |      |       |      |       |      |       |      |      |      |       |      |       |      |       |      |       |      |       |      |       |      |       |      |       |      |       |      |       |      |       |      |      |      |       |      |       |      |       |      |       |      |       |      |       |      |       |      |       |      |      |      |       |     |      |      |      |     |      |      |      |      |      |      |      |      |      |     |      |      |
| 29            | 6816       | 50.73    | 1.06                   |             |         | 34            | 5781       | 43.03    | 1.25                   |             |         |             |       |       |       | 39          | 5053  |             |       |             |       | 37.61       | 1.43  |             |       |             |       |             |       |             |       | 46          | 4272  |             |       |             |       |             |       | 31.08       | 1.69  |             |       |             |       | 44          | 4540  | 33.78       | 1.59  |             |       |             |       | 54          | 3685  | 27.43 | 1.96  |             |       |        |       | 58     | 3400  | 25.31 | 2.1   |        |       | 68    | 2923  | 21.76  | 2.5   | 77     | 2580  | 19.20 | 2.8   | 53    | 3724  | 27.72  | 1.09  | F 97  | 4     | 66     | 4093  | 22.34 | 0.99  | F 87  | 4     | 58    | 3383  | 25.18 | 1.19  | 66    | 3001  | 22.34 | 1.35 | 73    | 2723  |        |       |       |       | 20.27  | 1.48  |        |       | 84     | 2340  |        |       |        |       |        |       | 17.42  | 1.73  |       |      | 97    | 2043  |       |       | 15.21 | 2.0  |       |       |        |       | 114   | 1733  | 12.90  | 2.3  |       |       |        |       | 130   | 1515  | 11.28  | 2.7  |       |       |        |       | 69     | 2864  | 21.32  | 0.98  | F 87   | 4     | 112    | 1763  |        |       | 13.12  | 1.60  |        |       | 76     | 2594  | 19.31 | 1.09  | 86    | 2300  | 17.12 | 1.23  | 95    | 2080  | 15.48 | 1.36  | 128   | 1295 |       |       | 11.46 | 2.2   |       |       | 153   | 1082 | 9.58  | 2.5   |       |       | 174   | 956   |       |      | 8.46  | 1.50  | 196   | 847   |       |       | 7.50  | 1.70 |       |       | 217   | 766   | 6.78  | 1.88  | 256   | 650  | 5.75  | 2.2   | 293   | 567   | 5.02  | 2.5   | 350   | 474  | 4.20  | 2.9   |       |       |       |      |       |      |       |       |       |       |       |      |       |      |       |       |       |      |       |       |       |      |       |      |       |       |       |       |       |      |       |      |       |       |       |      |       |      |       |       |       |      |       |       |       |       |       |       |       |      |       |      |       |      |       |      |       |      |       |      |       |      |       |      |       |      |       |      |       |      |       |      |       |      |       |      |       |      |       |      |       |      |       |      |       |      |       |      |       |      |       |      |       |      |       |      |       |      |       |      |       |      |       |      |       |      |       |      |       |      |       |      |       |      |       |      |       |      |       |      |       |      |       |      |       |      |       |      |       |      |       |      |       |      |       |      |       |      |       |      |       |      |       |      |       |      |       |      |       |      |       |      |       |      |       |      |       |      |       |      |       |      |       |      |       |      |       |      |       |      |       |      |       |      |       |      |       |      |       |      |       |      |       |      |       |      |      |      |       |      |       |      |       |      |       |      |       |      |       |      |      |      |       |      |       |      |       |      |       |      |      |      |       |      |       |      |       |      |       |      |       |      |       |      |       |      |       |      |       |      |       |      |       |      |      |      |       |      |       |      |       |      |       |      |       |      |       |      |       |      |       |      |      |      |       |     |      |      |      |     |      |      |      |      |      |      |      |      |      |     |      |      |
| 34            | 5781       | 43.03    | 1.25                   |             |         | 39            | 5053       | 37.61    | 1.43                   |             |         |             |       |       |       | 46          | 4272  |             |       |             |       | 31.08       | 1.69  |             |       |             |       |             |       |             |       | 44          | 4540  |             |       |             |       | 33.78       | 1.59  | 54          | 3685  |             |       |             |       | 27.43       | 1.96  | 58          | 3400  |             |       |             |       | 25.31       | 2.1   | 68    | 2923  |             |       |        |       | 21.76  | 2.5   | 77    | 2580  |        |       | 19.20 | 2.8   | 53     | 3724  | 27.72  | 1.09  | F 97  | 4     | 66    | 4093  | 22.34  | 0.99  |       |       | F 87   | 4     | 58    | 3383  |       |       | 25.18 | 1.19  | 66    | 3001  | 22.34 | 1.35  | 73    | 2723 | 20.27 | 1.48  |        |       |       |       | 84     | 2340  |        |       | 17.42  | 1.73  |        |       | 97     | 2043  |        |       | 15.21  | 2.0   |       |      | 114   | 1733  |       |       | 12.90 | 2.3  |       |       |        |       | 130   | 1515  | 11.28  | 2.7  |       |       |        |       | 69    | 2864  | 21.32  | 0.98 | F 87  | 4     |        |       | 112    | 1763  | 13.12  | 1.60  |        |       | 76     | 2594  |        |       | 19.31  | 1.09  |        |       | 86     | 2300  | 17.12 | 1.23  | 95    | 2080  | 15.48 | 1.36  | 128   | 1295  | 11.46 | 2.2   | 153   | 1082 |       |       | 9.58  | 2.5   |       |       | 174   | 956  | 8.46  | 1.50  | 196   | 847   | 7.50  | 1.70  |       |      | 217   | 766   | 6.78  | 1.88  |       |       | 256   | 650  | 5.75  | 2.2   | 293   | 567   | 5.02  | 2.5   | 350   | 474  | 4.20  | 2.9   |       |       |       |       |       |      |       |       |       |       |       |      |       |      |       |       |       |       |       |      |       |      |       |       |       |      |       |       |       |      |       |      |       |       |       |       |       |      |       |      |       |       |       |      |       |      |       |       |       |      |       |       |       |       |       |       |       |      |       |      |       |      |       |      |       |      |       |      |       |      |       |      |       |      |       |      |       |      |       |      |       |      |       |      |       |      |       |      |       |      |       |      |       |      |       |      |       |      |       |      |       |      |       |      |       |      |       |      |       |      |       |      |       |      |       |      |       |      |       |      |       |      |       |      |       |      |       |      |       |      |       |      |       |      |       |      |       |      |       |      |       |      |       |      |       |      |       |      |       |      |       |      |       |      |       |      |       |      |       |      |       |      |       |      |       |      |       |      |       |      |       |      |       |      |       |      |       |      |       |      |       |      |       |      |       |      |       |      |       |      |       |      |       |      |      |      |       |      |       |      |       |      |       |      |       |      |       |      |      |      |       |      |       |      |       |      |       |      |      |      |       |      |       |      |       |      |       |      |       |      |       |      |       |      |       |      |       |      |       |      |       |      |      |      |       |      |       |      |       |      |       |      |       |      |       |      |       |      |       |      |      |      |       |     |      |      |      |     |      |      |      |      |      |      |      |      |      |     |      |      |
| 39            | 5053       | 37.61    | 1.43                   |             |         | 46            | 4272       | 31.08    | 1.69                   |             |         |             |       |       |       | 44          | 4540  |             |       |             |       | 33.78       | 1.59  |             |       |             |       |             |       | 54          | 3685  | 27.43       | 1.96  |             |       |             |       | 58          | 3400  | 25.31       | 2.1   |             |       |             |       | 68          | 2923  | 21.76       | 2.5   |             |       |             |       | 77          | 2580  | 19.20 | 2.8   | 53          | 3724  |        |       | 27.72  | 1.09  | F 97  | 4     |        |       | 66    | 4093  | 22.34  | 0.99  | F 87   | 4     |       |       | 58    | 3383  | 25.18  | 1.19  |       |       |        |       | 66    | 3001  |       |       | 22.34 | 1.35  | 73    | 2723  | 20.27 | 1.48  | 84    | 2340 | 17.42 | 1.73  |        |       |       |       | 97     | 2043  | 15.21  | 2.0   | 114    | 1733  |        |       | 12.90  | 2.3   |        |       | 130    | 1515  |       |      | 11.28 | 2.7   |       |       | 69    | 2864 |       |       |        |       | 21.32 | 0.98  | F 87   | 4    | 112   | 1763  |        |       | 13.12 | 1.60  | 76     | 2594 |       |       |        |       | 19.31  | 1.09  | 86     | 2300  |        |       | 17.12  | 1.23  |        |       | 95     | 2080  |        |       | 15.48  | 1.36  | 128   | 1295  | 11.46 | 2.2   | 153   | 1082  | 9.58  | 2.5   | 174   | 956   | 8.46  | 1.50 |       |       | 196   | 847   | 7.50  | 1.70  | 217   | 766  | 6.78  | 1.88  | 256   | 650   | 5.75  | 2.2   |       |      | 293   | 567   | 5.02  | 2.5   | 350   | 474   | 4.20  | 2.9  |       |       |       |       |       |       |       |      |       |       |       |       |       |       |       |      |       |       |       |       |       |      |       |      |       |       |       |       |       |      |       |      |       |       |       |      |       |       |       |      |       |      |       |       |       |       |       |      |       |      |       |       |       |      |       |      |       |       |       |      |       |       |       |       |       |       |       |      |       |      |       |      |       |      |       |      |       |      |       |      |       |      |       |      |       |      |       |      |       |      |       |      |       |      |       |      |       |      |       |      |       |      |       |      |       |      |       |      |       |      |       |      |       |      |       |      |       |      |       |      |       |      |       |      |       |      |       |      |       |      |       |      |       |      |       |      |       |      |       |      |       |      |       |      |       |      |       |      |       |      |       |      |       |      |       |      |       |      |       |      |       |      |       |      |       |      |       |      |       |      |       |      |       |      |       |      |       |      |       |      |       |      |       |      |       |      |       |      |       |      |       |      |       |      |       |      |       |      |       |      |       |      |       |      |      |      |       |      |       |      |       |      |       |      |       |      |       |      |      |      |       |      |       |      |       |      |       |      |      |      |       |      |       |      |       |      |       |      |       |      |       |      |       |      |       |      |       |      |       |      |       |      |      |      |       |      |       |      |       |      |       |      |       |      |       |      |       |      |       |      |      |      |       |     |      |      |      |     |      |      |      |      |      |      |      |      |      |     |      |      |
| 46            | 4272       | 31.08    | 1.69                   |             |         | 44            | 4540       | 33.78    | 1.59                   |             |         |             |       |       |       | 54          | 3685  |             |       |             |       | 27.43       | 1.96  | 58          | 3400  |             |       |             |       | 25.31       | 2.1   | 68          | 2923  |             |       |             |       | 21.76       | 2.5   | 77          | 2580  |             |       |             |       | 19.20       | 2.8   | 53          | 3724  | 27.72       | 1.09  |             |       | F 97        | 4     | 66    | 4093  | 22.34       | 0.99  |        |       | F 87   | 4     |       |       |        |       | 58    | 3383  | 25.18  | 1.19  |        |       |       |       | 66    | 3001  | 22.34  | 1.35  |       |       |        |       | 73    | 2723  |       |       | 20.27 | 1.48  | 84    | 2340  | 17.42 | 1.73  | 97    | 2043 | 15.21 | 2.0   | 114    | 1733  |       |       | 12.90  | 2.3   | 130    | 1515  | 11.28  | 2.7   |        |       | 69     | 2864  |        |       | 21.32  | 0.98  |       |      | F 87  | 4     |       |       | 112   | 1763 | 13.12 | 1.60  |        |       | 76    | 2594  |        |      | 19.31 | 1.09  |        |       | 86    | 2300  | 17.12  | 1.23 |       |       |        |       | 95     | 2080  | 15.48  | 1.36  |        |       | 128    | 1295  |        |       | 11.46  | 2.2   |        |       | 153    | 1082  | 9.58  | 2.5   | 174   | 956   | 8.46  | 1.50  | 196   | 847   | 7.50  | 1.70  | 217   | 766  | 6.78  | 1.88  | 256   | 650   | 5.75  | 2.2   | 293   | 567  | 5.02  | 2.5   | 350   | 474   | 4.20  | 2.9   |       |      |       |       |       |       |       |       |       |      |       |       |       |       |       |       |       |      |       |       |       |       |       |       |       |      |       |       |       |       |       |      |       |      |       |       |       |       |       |      |       |      |       |       |       |      |       |       |       |      |       |      |       |       |       |       |       |      |       |      |       |       |       |      |       |      |       |       |       |      |       |       |       |       |       |       |       |      |       |      |       |      |       |      |       |      |       |      |       |      |       |      |       |      |       |      |       |      |       |      |       |      |       |      |       |      |       |      |       |      |       |      |       |      |       |      |       |      |       |      |       |      |       |      |       |      |       |      |       |      |       |      |       |      |       |      |       |      |       |      |       |      |       |      |       |      |       |      |       |      |       |      |       |      |       |      |       |      |       |      |       |      |       |      |       |      |       |      |       |      |       |      |       |      |       |      |       |      |       |      |       |      |       |      |       |      |       |      |       |      |       |      |       |      |       |      |       |      |       |      |       |      |       |      |       |      |       |      |       |      |       |      |       |      |      |      |       |      |       |      |       |      |       |      |       |      |       |      |      |      |       |      |       |      |       |      |       |      |      |      |       |      |       |      |       |      |       |      |       |      |       |      |       |      |       |      |       |      |       |      |       |      |      |      |       |      |       |      |       |      |       |      |       |      |       |      |       |      |       |      |      |      |       |     |      |      |      |     |      |      |      |      |      |      |      |      |      |     |      |      |
| 44            | 4540       | 33.78    | 1.59                   |             |         | 54            | 3685       | 27.43    | 1.96                   |             |         |             |       | 58    | 3400  | 25.31       | 2.1   |             |       |             |       | 68          | 2923  | 21.76       | 2.5   |             |       |             |       | 77          | 2580  | 19.20       | 2.8   |             |       |             |       | 53          | 3724  | 27.72       | 1.09  | F 97        | 4     |             |       | 66          | 4093  | 22.34       | 0.99  | F 87        | 4     |             |       |             |       | 58    | 3383  | 25.18       | 1.19  |        |       |        |       |       |       |        |       | 66    | 3001  | 22.34  | 1.35  |        |       |       |       | 73    | 2723  | 20.27  | 1.48  |       |       |        |       | 84    | 2340  |       |       | 17.42 | 1.73  | 97    | 2043  | 15.21 | 2.0   | 114   | 1733 | 12.90 | 2.3   | 130    | 1515  |       |       | 11.28  | 2.7   | 69     | 2864  | 21.32  | 0.98  |        |       | F 87   | 4     |        |       | 112    | 1763  | 13.12 | 1.60 |       |       |       |       | 76    | 2594 | 19.31 | 1.09  |        |       | 86    | 2300  |        |      | 17.12 | 1.23  |        |       | 95    | 2080  | 15.48  | 1.36 |       |       |        |       | 128    | 1295  | 11.46  | 2.2   |        |       | 153    | 1082  |        |       | 9.58   | 2.5   |        |       | 174    | 956   | 8.46  | 1.50  | 196   | 847   | 7.50  | 1.70  | 217   | 766   | 6.78  | 1.88  | 256   | 650  | 5.75  | 2.2   | 293   | 567   | 5.02  | 2.5   | 350   | 474  | 4.20  | 2.9   |       |       |       |       |       |      |       |       |       |       |       |       |       |      |       |       |       |       |       |       |       |      |       |       |       |       |       |       |       |      |       |       |       |       |       |      |       |      |       |       |       |       |       |      |       |      |       |       |       |      |       |       |       |      |       |      |       |       |       |       |       |      |       |      |       |       |       |      |       |      |       |       |       |      |       |       |       |       |       |       |       |      |       |      |       |      |       |      |       |      |       |      |       |      |       |      |       |      |       |      |       |      |       |      |       |      |       |      |       |      |       |      |       |      |       |      |       |      |       |      |       |      |       |      |       |      |       |      |       |      |       |      |       |      |       |      |       |      |       |      |       |      |       |      |       |      |       |      |       |      |       |      |       |      |       |      |       |      |       |      |       |      |       |      |       |      |       |      |       |      |       |      |       |      |       |      |       |      |       |      |       |      |       |      |       |      |       |      |       |      |       |      |       |      |       |      |       |      |       |      |       |      |       |      |       |      |       |      |       |      |       |      |       |      |       |      |       |      |      |      |       |      |       |      |       |      |       |      |       |      |       |      |      |      |       |      |       |      |       |      |       |      |      |      |       |      |       |      |       |      |       |      |       |      |       |      |       |      |       |      |       |      |       |      |       |      |      |      |       |      |       |      |       |      |       |      |       |      |       |      |       |      |       |      |      |      |       |     |      |      |      |     |      |      |      |      |      |      |      |      |      |     |      |      |
| 54            | 3685       | 27.43    | 1.96                   |             |         | 58            | 3400       | 25.31    | 2.1                    |             |         |             |       | 68    | 2923  | 21.76       | 2.5   |             |       |             |       | 77          | 2580  | 19.20       | 2.8   |             |       |             |       | 53          | 3724  | 27.72       | 1.09  | F 97        | 4     |             |       | 66          | 4093  | 22.34       | 0.99  |             |       |             |       | F 87        | 4     | 58          | 3383  |             |       |             |       |             |       | 25.18 | 1.19  | 66          | 3001  |        |       |        |       |       |       | 22.34  | 1.35  | 73    | 2723  | 20.27  | 1.48  |        |       |       |       | 84    | 2340  | 17.42  | 1.73  |       |       |        |       | 97    | 2043  |       |       | 15.21 | 2.0   | 114   | 1733  | 12.90 | 2.3   | 130   | 1515 | 11.28 | 2.7   | 69     | 2864  |       |       | 21.32  | 0.98  | F 87   | 4     | 112    | 1763  | 13.12  | 1.60  |        |       |        |       | 76     | 2594  | 19.31 | 1.09 |       |       |       |       | 86    | 2300 | 17.12 | 1.23  |        |       | 95    | 2080  |        |      | 15.48 | 1.36  |        |       | 128   | 1295  | 11.46  | 2.2  |       |       |        |       | 153    | 1082  | 9.58   | 2.5   | 174    | 956   | 8.46   | 1.50  |        |       | 196    | 847   | 7.50   | 1.70  | 217    | 766   | 6.78  | 1.88  | 256   | 650   | 5.75  | 2.2   | 293   | 567   | 5.02  | 2.5   | 350   | 474  | 4.20  | 2.9   |       |       |       |       |       |      |       |       |       |       |       |       |       |      |       |       |       |       |       |       |       |      |       |       |       |       |       |       |       |      |       |       |       |       |       |       |       |      |       |       |       |       |       |      |       |      |       |       |       |       |       |      |       |      |       |       |       |      |       |       |       |      |       |      |       |       |       |       |       |      |       |      |       |       |       |      |       |      |       |       |       |      |       |       |       |       |       |       |       |      |       |      |       |      |       |      |       |      |       |      |       |      |       |      |       |      |       |      |       |      |       |      |       |      |       |      |       |      |       |      |       |      |       |      |       |      |       |      |       |      |       |      |       |      |       |      |       |      |       |      |       |      |       |      |       |      |       |      |       |      |       |      |       |      |       |      |       |      |       |      |       |      |       |      |       |      |       |      |       |      |       |      |       |      |       |      |       |      |       |      |       |      |       |      |       |      |       |      |       |      |       |      |       |      |       |      |       |      |       |      |       |      |       |      |       |      |       |      |       |      |       |      |       |      |       |      |       |      |       |      |       |      |       |      |       |      |      |      |       |      |       |      |       |      |       |      |       |      |       |      |      |      |       |      |       |      |       |      |       |      |      |      |       |      |       |      |       |      |       |      |       |      |       |      |       |      |       |      |       |      |       |      |       |      |      |      |       |      |       |      |       |      |       |      |       |      |       |      |       |      |       |      |      |      |       |     |      |      |      |     |      |      |      |      |      |      |      |      |      |     |      |      |
| 58            | 3400       | 25.31    | 2.1                    |             |         | 68            | 2923       | 21.76    | 2.5                    |             |         |             |       | 77    | 2580  | 19.20       | 2.8   |             |       |             |       | 53          | 3724  | 27.72       | 1.09  | F 97        | 4     |             |       | 66          | 4093  | 22.34       | 0.99  |             |       |             |       | F 87        | 4     | 58          | 3383  |             |       |             |       |             |       | 25.18       | 1.19  |             |       |             |       |             |       | 66    | 3001  | 22.34       | 1.35  | 73     | 2723  |        |       |       |       | 20.27  | 1.48  | 84    | 2340  | 17.42  | 1.73  |        |       |       |       | 97    | 2043  | 15.21  | 2.0   |       |       |        |       | 114   | 1733  |       |       | 12.90 | 2.3   | 130   | 1515  | 11.28 | 2.7   | 69    | 2864 | 21.32 | 0.98  | F 87   | 4     | 112   | 1763  | 13.12  | 1.60  |        |       | 76     | 2594  | 19.31  | 1.09  |        |       |        |       | 86     | 2300  | 17.12 | 1.23 |       |       |       |       | 95    | 2080 | 15.48 | 1.36  |        |       | 128   | 1295  |        |      | 11.46 | 2.2   |        |       | 153   | 1082  | 9.58   | 2.5  | 174   | 956   |        |       | 8.46   | 1.50  | 196    | 847   | 7.50   | 1.70  | 217    | 766   | 6.78   | 1.88  | 256    | 650   | 5.75   | 2.2   | 293    | 567   | 5.02  | 2.5   | 350   | 474   | 4.20  | 2.9   |       |       |       |       |       |      |       |       |       |       |       |       |       |      |       |       |       |       |       |       |       |      |       |       |       |       |       |       |       |      |       |       |       |       |       |       |       |      |       |       |       |       |       |       |       |      |       |       |       |       |       |      |       |      |       |       |       |       |       |      |       |      |       |       |       |      |       |       |       |      |       |      |       |       |       |       |       |      |       |      |       |       |       |      |       |      |       |       |       |      |       |       |       |       |       |       |       |      |       |      |       |      |       |      |       |      |       |      |       |      |       |      |       |      |       |      |       |      |       |      |       |      |       |      |       |      |       |      |       |      |       |      |       |      |       |      |       |      |       |      |       |      |       |      |       |      |       |      |       |      |       |      |       |      |       |      |       |      |       |      |       |      |       |      |       |      |       |      |       |      |       |      |       |      |       |      |       |      |       |      |       |      |       |      |       |      |       |      |       |      |       |      |       |      |       |      |       |      |       |      |       |      |       |      |       |      |       |      |       |      |       |      |       |      |       |      |       |      |       |      |       |      |       |      |       |      |       |      |       |      |       |      |       |      |      |      |       |      |       |      |       |      |       |      |       |      |       |      |      |      |       |      |       |      |       |      |       |      |      |      |       |      |       |      |       |      |       |      |       |      |       |      |       |      |       |      |       |      |       |      |       |      |      |      |       |      |       |      |       |      |       |      |       |      |       |      |       |      |       |      |      |      |       |     |      |      |      |     |      |      |      |      |      |      |      |      |      |     |      |      |
| 68            | 2923       | 21.76    | 2.5                    |             |         | 77            | 2580       | 19.20    | 2.8                    |             |         |             |       | 53    | 3724  | 27.72       | 1.09  | F 97        | 4     |             |       | 66          | 4093  | 22.34       | 0.99  |             |       |             |       | F 87        | 4     | 58          | 3383  |             |       |             |       |             |       | 25.18       | 1.19  |             |       |             |       |             |       | 66          | 3001  |             |       | 22.34       | 1.35  |             |       | 73    | 2723  | 20.27       | 1.48  | 84     | 2340  |        |       |       |       | 17.42  | 1.73  | 97    | 2043  | 15.21  | 2.0   |        |       |       |       | 114   | 1733  | 12.90  | 2.3   |       |       |        |       | 130   | 1515  |       |       | 11.28 | 2.7   | 69    | 2864  | 21.32 | 0.98  | F 87  | 4    | 112   | 1763  |        |       | 13.12 | 1.60  | 76     | 2594  |        |       | 19.31  | 1.09  | 86     | 2300  |        |       |        |       | 17.12  | 1.23  | 95    | 2080 |       |       |       |       | 15.48 | 1.36 | 128   | 1295  |        |       | 11.46 | 2.2   | 153    | 1082 | 9.58  | 2.5   |        |       | 174   | 956   | 8.46   | 1.50 | 196   | 847   | 7.50   | 1.70  | 217    | 766   | 6.78   | 1.88  | 256    | 650   | 5.75   | 2.2   | 293    | 567   | 5.02   | 2.5   | 350    | 474   | 4.20   | 2.9   |       |       |       |       |       |       |       |       |       |       |       |      |       |       |       |       |       |       |       |      |       |       |       |       |       |       |       |      |       |       |       |       |       |       |       |      |       |       |       |       |       |       |       |      |       |       |       |       |       |       |       |      |       |       |       |       |       |      |       |      |       |       |       |       |       |      |       |      |       |       |       |      |       |       |       |      |       |      |       |       |       |       |       |      |       |      |       |       |       |      |       |      |       |       |       |      |       |       |       |       |       |       |       |      |       |      |       |      |       |      |       |      |       |      |       |      |       |      |       |      |       |      |       |      |       |      |       |      |       |      |       |      |       |      |       |      |       |      |       |      |       |      |       |      |       |      |       |      |       |      |       |      |       |      |       |      |       |      |       |      |       |      |       |      |       |      |       |      |       |      |       |      |       |      |       |      |       |      |       |      |       |      |       |      |       |      |       |      |       |      |       |      |       |      |       |      |       |      |       |      |       |      |       |      |       |      |       |      |       |      |       |      |       |      |       |      |       |      |       |      |       |      |       |      |       |      |       |      |       |      |       |      |       |      |       |      |       |      |       |      |      |      |       |      |       |      |       |      |       |      |       |      |       |      |      |      |       |      |       |      |       |      |       |      |      |      |       |      |       |      |       |      |       |      |       |      |       |      |       |      |       |      |       |      |       |      |       |      |      |      |       |      |       |      |       |      |       |      |       |      |       |      |       |      |       |      |      |      |       |     |      |      |      |     |      |      |      |      |      |      |      |      |      |     |      |      |
| 77            | 2580       | 19.20    | 2.8                    |             |         | 53            | 3724       | 27.72    | 1.09                   | F 97        | 4       |             |       | 66    | 4093  | 22.34       | 0.99  |             |       |             |       | F 87        | 4     | 58          | 3383  |             |       |             |       |             |       | 25.18       | 1.19  |             |       |             |       |             |       | 66          | 3001  |             |       | 22.34       | 1.35  |             |       | 73          | 2723  |             |       | 20.27       | 1.48  |             |       | 84    | 2340  | 17.42       | 1.73  | 97     | 2043  |        |       |       |       | 15.21  | 2.0   | 114   | 1733  | 12.90  | 2.3   |        |       |       |       | 130   | 1515  | 11.28  | 2.7   | 69    | 2864  |        |       | 21.32 | 0.98  |       |       | F 87  | 4     | 112   | 1763  | 13.12 | 1.60  |       |      | 76    | 2594  |        |       | 19.31 | 1.09  | 86     | 2300  |        |       | 17.12  | 1.23  | 95     | 2080  |        |       |        |       | 15.48  | 1.36  | 128   | 1295 | 11.46 | 2.2   |       |       | 153   | 1082 | 9.58  | 2.5   |        |       | 174   | 956   | 8.46   | 1.50 | 196   | 847   | 7.50   | 1.70  | 217   | 766   | 6.78   | 1.88 | 256   | 650   | 5.75   | 2.2   | 293    | 567   | 5.02   | 2.5   | 350    | 474   | 4.20   | 2.9   |        |       |        |       |        |       |        |       |       |       |       |       |       |       |       |       |       |       |       |      |       |       |       |       |       |       |       |      |       |       |       |       |       |       |       |      |       |       |       |       |       |       |       |      |       |       |       |       |       |       |       |      |       |       |       |       |       |       |       |      |       |       |       |       |       |      |       |      |       |       |       |       |       |      |       |      |       |       |       |      |       |       |       |      |       |      |       |       |       |       |       |      |       |      |       |       |       |      |       |      |       |       |       |      |       |       |       |       |       |       |       |      |       |      |       |      |       |      |       |      |       |      |       |      |       |      |       |      |       |      |       |      |       |      |       |      |       |      |       |      |       |      |       |      |       |      |       |      |       |      |       |      |       |      |       |      |       |      |       |      |       |      |       |      |       |      |       |      |       |      |       |      |       |      |       |      |       |      |       |      |       |      |       |      |       |      |       |      |       |      |       |      |       |      |       |      |       |      |       |      |       |      |       |      |       |      |       |      |       |      |       |      |       |      |       |      |       |      |       |      |       |      |       |      |       |      |       |      |       |      |       |      |       |      |       |      |       |      |       |      |       |      |       |      |       |      |       |      |      |      |       |      |       |      |       |      |       |      |       |      |       |      |      |      |       |      |       |      |       |      |       |      |      |      |       |      |       |      |       |      |       |      |       |      |       |      |       |      |       |      |       |      |       |      |       |      |      |      |       |      |       |      |       |      |       |      |       |      |       |      |       |      |       |      |      |      |       |     |      |      |      |     |      |      |      |      |      |      |      |      |      |     |      |      |
| 53            | 3724       | 27.72    | 1.09                   | F 97        | 4       | 66            | 4093       | 22.34    | 0.99                   |             |         |             |       | F 87  | 4     |             |       |             |       |             |       |             |       |             |       |             |       |             |       |             |       |             |       |             |       |             |       |             |       |             |       |             |       |             |       |             |       |             |       |             |       |             |       |             |       |       |       |             |       |        |       |        |       |       |       |        |       |       |       |        |       |        |       |       |       |       |       |        |       |       |       |        |       |       |       |       |       |       |       |       |       |       |       |       |      |       |       |        |       |       |       |        |       |        |       |        |       |        |       |        |       |        |       |        |       |       |      |       |       |       |       |       |      |       |       |        |       |       |       |        |      |       |       |        |       |       |       |        |      |       |       |        |       |        |       |        |       |        |       |        |       |        |       |        |       |        |       |        |       |       |       |       |       |       |       |       |       |       |       |       |      |       |       |       |       |       |       |       |      |       |       |       |       |       |       |       |      |       |       |       |       |       |       |       |      |       |       |       |       |       |       |       |      |       |       |       |       |       |       |       |      |       |       |       |       |       |      |       |      |       |       |       |       |       |      |       |      |       |       |       |      |       |       |       |      |       |      |       |       |       |       |       |      |       |      |       |       |       |      |       |      |       |       |       |      |       |       |       |       |       |       |       |      |       |      |       |      |       |      |       |      |       |      |       |      |       |      |       |      |       |      |       |      |       |      |       |      |       |      |       |      |       |      |       |      |       |      |       |      |       |      |       |      |       |      |       |      |       |      |       |      |       |      |       |      |       |      |       |      |       |      |       |      |       |      |       |      |       |      |       |      |       |      |       |      |       |      |       |      |       |      |       |      |       |      |       |      |       |      |       |      |       |      |       |      |       |      |       |      |       |      |       |      |       |      |       |      |       |      |       |      |       |      |       |      |       |      |       |      |       |      |       |      |       |      |       |      |       |      |       |      |       |      |       |      |       |      |       |      |      |      |       |      |       |      |       |      |       |      |       |      |       |      |      |      |       |      |       |      |       |      |       |      |      |      |       |      |       |      |       |      |       |      |       |      |       |      |       |      |       |      |       |      |       |      |       |      |      |      |       |      |       |      |       |      |       |      |       |      |       |      |       |      |       |      |      |      |       |     |      |      |      |     |      |      |      |      |      |      |      |      |      |     |      |      |
| 58            | 3383       | 25.18    | 1.19                   |             |         | 66            | 3001       | 22.34    | 1.35                   |             |         |             |       |       |       | 73          | 2723  |             |       |             |       |             |       | 20.27       | 1.48  |             |       | 84          | 2340  |             |       | 17.42       | 1.73  |             |       | 97          | 2043  |             |       | 15.21       | 2.0   |             |       | 114         | 1733  |             |       | 12.90       | 2.3   |             |       | 130         | 1515  |             |       | 11.28 | 2.7   | 69          | 2864  | 21.32  | 0.98  |        |       | F 87  | 4     | 112    | 1763  | 13.12 | 1.60  | 76     | 2594  |        |       | 19.31 | 1.09  | 86    | 2300  | 17.12  | 1.23  | 95    | 2080  |        |       | 15.48 | 1.36  |       |       |       |       | 128   | 1295  | 11.46 | 2.2   |       |      | 153   | 1082  |        |       | 9.58  | 2.5   | 174    | 956   | 8.46   | 1.50  | 196    | 847   | 7.50   | 1.70  | 217    | 766   |        |       | 6.78   | 1.88  | 256   | 650  | 5.75  | 2.2   | 293   | 567   | 5.02  | 2.5  | 350   | 474   | 4.20   | 2.9   |       |       |        |      |       |       |        |       |       |       |        |      |       |       |        |       |        |       |        |       |        |       |        |       |        |       |        |       |        |       |        |       |       |       |       |       |       |       |       |       |       |       |       |      |       |       |       |       |       |       |       |      |       |       |       |       |       |       |       |      |       |       |       |       |       |       |       |      |       |       |       |       |       |       |       |      |       |       |       |       |       |       |       |      |       |       |       |       |       |      |       |      |       |       |       |       |       |      |       |      |       |       |       |      |       |       |       |      |       |      |       |       |       |       |       |      |       |      |       |       |       |      |       |      |       |       |       |      |       |       |       |       |       |       |       |      |       |      |       |      |       |      |       |      |       |      |       |      |       |      |       |      |       |      |       |      |       |      |       |      |       |      |       |      |       |      |       |      |       |      |       |      |       |      |       |      |       |      |       |      |       |      |       |      |       |      |       |      |       |      |       |      |       |      |       |      |       |      |       |      |       |      |       |      |       |      |       |      |       |      |       |      |       |      |       |      |       |      |       |      |       |      |       |      |       |      |       |      |       |      |       |      |       |      |       |      |       |      |       |      |       |      |       |      |       |      |       |      |       |      |       |      |       |      |       |      |       |      |       |      |       |      |       |      |       |      |       |      |       |      |       |      |      |      |       |      |       |      |       |      |       |      |       |      |       |      |      |      |       |      |       |      |       |      |       |      |      |      |       |      |       |      |       |      |       |      |       |      |       |      |       |      |       |      |       |      |       |      |       |      |      |      |       |      |       |      |       |      |       |      |       |      |       |      |       |      |       |      |      |      |       |     |      |      |      |     |      |      |      |      |      |      |      |      |      |     |      |      |
| 66            | 3001       | 22.34    | 1.35                   |             |         | 73            | 2723       | 20.27    | 1.48                   |             |         |             |       |       |       | 84          | 2340  |             |       | 17.42       | 1.73  |             |       | 97          | 2043  |             |       | 15.21       | 2.0   |             |       | 114         | 1733  |             |       | 12.90       | 2.3   |             |       | 130         | 1515  |             |       | 11.28       | 2.7   |             |       | 69          | 2864  |             |       | 21.32       | 0.98  | F 87        | 4     | 112   | 1763  | 13.12       | 1.60  | 76     | 2594  |        |       |       |       | 19.31  | 1.09  | 86    | 2300  | 17.12  | 1.23  |        |       | 95    | 2080  | 15.48 | 1.36  | 128    | 1295  | 11.46 | 2.2   |        |       | 153   | 1082  |       |       |       |       | 9.58  | 2.5   | 174   | 956   |       |      | 8.46  | 1.50  | 196    | 847   | 7.50  | 1.70  | 217    | 766   | 6.78   | 1.88  | 256    | 650   | 5.75   | 2.2   | 293    | 567   | 5.02   | 2.5   | 350    | 474   | 4.20  | 2.9  |       |       |       |       |       |      |       |       |        |       |       |       |        |      |       |       |        |       |       |       |        |      |       |       |        |       |        |       |        |       |        |       |        |       |        |       |        |       |        |       |        |       |       |       |       |       |       |       |       |       |       |       |       |      |       |       |       |       |       |       |       |      |       |       |       |       |       |       |       |      |       |       |       |       |       |       |       |      |       |       |       |       |       |       |       |      |       |       |       |       |       |       |       |      |       |       |       |       |       |      |       |      |       |       |       |       |       |      |       |      |       |       |       |      |       |       |       |      |       |      |       |       |       |       |       |      |       |      |       |       |       |      |       |      |       |       |       |      |       |       |       |       |       |       |       |      |       |      |       |      |       |      |       |      |       |      |       |      |       |      |       |      |       |      |       |      |       |      |       |      |       |      |       |      |       |      |       |      |       |      |       |      |       |      |       |      |       |      |       |      |       |      |       |      |       |      |       |      |       |      |       |      |       |      |       |      |       |      |       |      |       |      |       |      |       |      |       |      |       |      |       |      |       |      |       |      |       |      |       |      |       |      |       |      |       |      |       |      |       |      |       |      |       |      |       |      |       |      |       |      |       |      |       |      |       |      |       |      |       |      |       |      |       |      |       |      |       |      |       |      |       |      |       |      |       |      |       |      |       |      |       |      |      |      |       |      |       |      |       |      |       |      |       |      |       |      |      |      |       |      |       |      |       |      |       |      |      |      |       |      |       |      |       |      |       |      |       |      |       |      |       |      |       |      |       |      |       |      |       |      |      |      |       |      |       |      |       |      |       |      |       |      |       |      |       |      |       |      |      |      |       |     |      |      |      |     |      |      |      |      |      |      |      |      |      |     |      |      |
| 73            | 2723       | 20.27    | 1.48                   |             |         | 84            | 2340       | 17.42    | 1.73                   |             |         | 97          | 2043  |       |       | 15.21       | 2.0   |             |       | 114         | 1733  |             |       | 12.90       | 2.3   |             |       | 130         | 1515  |             |       | 11.28       | 2.7   |             |       | 69          | 2864  |             |       | 21.32       | 0.98  | F 87        | 4     | 112         | 1763  |             |       | 13.12       | 1.60  |             |       | 76          | 2594  |             |       | 19.31 | 1.09  | 86          | 2300  | 17.12  | 1.23  |        |       |       |       | 95     | 2080  | 15.48 | 1.36  | 128    | 1295  |        |       | 11.46 | 2.2   | 153   | 1082  | 9.58   | 2.5   | 174   | 956   |        |       | 8.46  | 1.50  |       |       |       |       | 196   | 847   | 7.50  | 1.70  | 217   | 766  | 6.78  | 1.88  | 256    | 650   | 5.75  | 2.2   | 293    | 567   | 5.02   | 2.5   | 350    | 474   | 4.20   | 2.9   |        |       |        |       |        |       |       |      |       |       |       |       |       |      |       |       |        |       |       |       |        |      |       |       |        |       |       |       |        |      |       |       |        |       |        |       |        |       |        |       |        |       |        |       |        |       |        |       |        |       |       |       |       |       |       |       |       |       |       |       |       |      |       |       |       |       |       |       |       |      |       |       |       |       |       |       |       |      |       |       |       |       |       |       |       |      |       |       |       |       |       |       |       |      |       |       |       |       |       |       |       |      |       |       |       |       |       |      |       |      |       |       |       |       |       |      |       |      |       |       |       |      |       |       |       |      |       |      |       |       |       |       |       |      |       |      |       |       |       |      |       |      |       |       |       |      |       |       |       |       |       |       |       |      |       |      |       |      |       |      |       |      |       |      |       |      |       |      |       |      |       |      |       |      |       |      |       |      |       |      |       |      |       |      |       |      |       |      |       |      |       |      |       |      |       |      |       |      |       |      |       |      |       |      |       |      |       |      |       |      |       |      |       |      |       |      |       |      |       |      |       |      |       |      |       |      |       |      |       |      |       |      |       |      |       |      |       |      |       |      |       |      |       |      |       |      |       |      |       |      |       |      |       |      |       |      |       |      |       |      |       |      |       |      |       |      |       |      |       |      |       |      |       |      |       |      |       |      |       |      |       |      |       |      |       |      |       |      |       |      |      |      |       |      |       |      |       |      |       |      |       |      |       |      |      |      |       |      |       |      |       |      |       |      |      |      |       |      |       |      |       |      |       |      |       |      |       |      |       |      |       |      |       |      |       |      |       |      |      |      |       |      |       |      |       |      |       |      |       |      |       |      |       |      |       |      |      |      |       |     |      |      |      |     |      |      |      |      |      |      |      |      |      |     |      |      |
| 84            | 2340       | 17.42    | 1.73                   |             |         | 97            | 2043       | 15.21    | 2.0                    |             |         | 114         | 1733  |       |       | 12.90       | 2.3   |             |       | 130         | 1515  |             |       | 11.28       | 2.7   |             |       | 69          | 2864  |             |       | 21.32       | 0.98  | F 87        | 4     | 112         | 1763  |             |       | 13.12       | 1.60  |             |       | 76          | 2594  |             |       | 19.31       | 1.09  |             |       | 86          | 2300  |             |       | 17.12 | 1.23  | 95          | 2080  | 15.48  | 1.36  |        |       |       |       | 128    | 1295  | 11.46 | 2.2   | 153    | 1082  |        |       | 9.58  | 2.5   | 174   | 956   | 8.46   | 1.50  | 196   | 847   |        |       | 7.50  | 1.70  | 217   | 766   | 6.78  | 1.88  | 256   | 650   | 5.75  | 2.2   | 293   | 567  | 5.02  | 2.5   | 350    | 474   | 4.20  | 2.9   |        |       |        |       |        |       |        |       |        |       |        |       |        |       |       |      |       |       |       |       |       |      |       |       |        |       |       |       |        |      |       |       |        |       |       |       |        |      |       |       |        |       |        |       |        |       |        |       |        |       |        |       |        |       |        |       |        |       |       |       |       |       |       |       |       |       |       |       |       |      |       |       |       |       |       |       |       |      |       |       |       |       |       |       |       |      |       |       |       |       |       |       |       |      |       |       |       |       |       |       |       |      |       |       |       |       |       |       |       |      |       |       |       |       |       |      |       |      |       |       |       |       |       |      |       |      |       |       |       |      |       |       |       |      |       |      |       |       |       |       |       |      |       |      |       |       |       |      |       |      |       |       |       |      |       |       |       |       |       |       |       |      |       |      |       |      |       |      |       |      |       |      |       |      |       |      |       |      |       |      |       |      |       |      |       |      |       |      |       |      |       |      |       |      |       |      |       |      |       |      |       |      |       |      |       |      |       |      |       |      |       |      |       |      |       |      |       |      |       |      |       |      |       |      |       |      |       |      |       |      |       |      |       |      |       |      |       |      |       |      |       |      |       |      |       |      |       |      |       |      |       |      |       |      |       |      |       |      |       |      |       |      |       |      |       |      |       |      |       |      |       |      |       |      |       |      |       |      |       |      |       |      |       |      |       |      |       |      |       |      |       |      |       |      |       |      |       |      |      |      |       |      |       |      |       |      |       |      |       |      |       |      |      |      |       |      |       |      |       |      |       |      |      |      |       |      |       |      |       |      |       |      |       |      |       |      |       |      |       |      |       |      |       |      |       |      |      |      |       |      |       |      |       |      |       |      |       |      |       |      |       |      |       |      |      |      |       |     |      |      |      |     |      |      |      |      |      |      |      |      |      |     |      |      |
| 97            | 2043       | 15.21    | 2.0                    |             |         | 114           | 1733       | 12.90    | 2.3                    |             |         | 130         | 1515  |       |       | 11.28       | 2.7   |             |       | 69          | 2864  |             |       | 21.32       | 0.98  | F 87        | 4     | 112         | 1763  |             |       | 13.12       | 1.60  |             |       | 76          | 2594  |             |       | 19.31       | 1.09  |             |       | 86          | 2300  |             |       | 17.12       | 1.23  |             |       | 95          | 2080  |             |       | 15.48 | 1.36  | 128         | 1295  | 11.46  | 2.2   |        |       |       |       | 153    | 1082  | 9.58  | 2.5   | 174    | 956   |        |       | 8.46  | 1.50  | 196   | 847   | 7.50   | 1.70  | 217   | 766   | 6.78   | 1.88  | 256   | 650   | 5.75  | 2.2   | 293   | 567   | 5.02  | 2.5   | 350   | 474   | 4.20  | 2.9  |       |       |        |       |       |       |        |       |        |       |        |       |        |       |        |       |        |       |        |       |       |      |       |       |       |       |       |      |       |       |        |       |       |       |        |      |       |       |        |       |       |       |        |      |       |       |        |       |        |       |        |       |        |       |        |       |        |       |        |       |        |       |        |       |       |       |       |       |       |       |       |       |       |       |       |      |       |       |       |       |       |       |       |      |       |       |       |       |       |       |       |      |       |       |       |       |       |       |       |      |       |       |       |       |       |       |       |      |       |       |       |       |       |       |       |      |       |       |       |       |       |      |       |      |       |       |       |       |       |      |       |      |       |       |       |      |       |       |       |      |       |      |       |       |       |       |       |      |       |      |       |       |       |      |       |      |       |       |       |      |       |       |       |       |       |       |       |      |       |      |       |      |       |      |       |      |       |      |       |      |       |      |       |      |       |      |       |      |       |      |       |      |       |      |       |      |       |      |       |      |       |      |       |      |       |      |       |      |       |      |       |      |       |      |       |      |       |      |       |      |       |      |       |      |       |      |       |      |       |      |       |      |       |      |       |      |       |      |       |      |       |      |       |      |       |      |       |      |       |      |       |      |       |      |       |      |       |      |       |      |       |      |       |      |       |      |       |      |       |      |       |      |       |      |       |      |       |      |       |      |       |      |       |      |       |      |       |      |       |      |       |      |       |      |       |      |       |      |       |      |       |      |       |      |      |      |       |      |       |      |       |      |       |      |       |      |       |      |      |      |       |      |       |      |       |      |       |      |      |      |       |      |       |      |       |      |       |      |       |      |       |      |       |      |       |      |       |      |       |      |       |      |      |      |       |      |       |      |       |      |       |      |       |      |       |      |       |      |       |      |      |      |       |     |      |      |      |     |      |      |      |      |      |      |      |      |      |     |      |      |
| 114           | 1733       | 12.90    | 2.3                    |             |         | 130           | 1515       | 11.28    | 2.7                    |             |         | 69          | 2864  |       |       | 21.32       | 0.98  | F 87        | 4     | 112         | 1763  |             |       | 13.12       | 1.60  |             |       | 76          | 2594  |             |       | 19.31       | 1.09  |             |       | 86          | 2300  |             |       | 17.12       | 1.23  |             |       | 95          | 2080  |             |       | 15.48       | 1.36  |             |       | 128         | 1295  |             |       | 11.46 | 2.2   | 153         | 1082  | 9.58   | 2.5   |        |       | 174   | 956   | 8.46   | 1.50  | 196   | 847   | 7.50   | 1.70  | 217    | 766   | 6.78  | 1.88  | 256   | 650   | 5.75   | 2.2   | 293   | 567   | 5.02   | 2.5   | 350   | 474   | 4.20  | 2.9   |       |       |       |       |       |       |       |      |       |       |        |       |       |       |        |       |        |       |        |       |        |       |        |       |        |       |        |       |       |      |       |       |       |       |       |      |       |       |        |       |       |       |        |      |       |       |        |       |       |       |        |      |       |       |        |       |        |       |        |       |        |       |        |       |        |       |        |       |        |       |        |       |       |       |       |       |       |       |       |       |       |       |       |      |       |       |       |       |       |       |       |      |       |       |       |       |       |       |       |      |       |       |       |       |       |       |       |      |       |       |       |       |       |       |       |      |       |       |       |       |       |       |       |      |       |       |       |       |       |      |       |      |       |       |       |       |       |      |       |      |       |       |       |      |       |       |       |      |       |      |       |       |       |       |       |      |       |      |       |       |       |      |       |      |       |       |       |      |       |       |       |       |       |       |       |      |       |      |       |      |       |      |       |      |       |      |       |      |       |      |       |      |       |      |       |      |       |      |       |      |       |      |       |      |       |      |       |      |       |      |       |      |       |      |       |      |       |      |       |      |       |      |       |      |       |      |       |      |       |      |       |      |       |      |       |      |       |      |       |      |       |      |       |      |       |      |       |      |       |      |       |      |       |      |       |      |       |      |       |      |       |      |       |      |       |      |       |      |       |      |       |      |       |      |       |      |       |      |       |      |       |      |       |      |       |      |       |      |       |      |       |      |       |      |       |      |       |      |       |      |       |      |       |      |       |      |       |      |       |      |       |      |      |      |       |      |       |      |       |      |       |      |       |      |       |      |      |      |       |      |       |      |       |      |       |      |      |      |       |      |       |      |       |      |       |      |       |      |       |      |       |      |       |      |       |      |       |      |       |      |      |      |       |      |       |      |       |      |       |      |       |      |       |      |       |      |       |      |      |      |       |     |      |      |      |     |      |      |      |      |      |      |      |      |      |     |      |      |
| 130           | 1515       | 11.28    | 2.7                    |             |         | 69            | 2864       | 21.32    | 0.98                   | F 87        | 4       | 112         | 1763  |       |       | 13.12       | 1.60  |             |       | 76          | 2594  |             |       | 19.31       | 1.09  |             |       | 86          | 2300  |             |       | 17.12       | 1.23  |             |       | 95          | 2080  |             |       | 15.48       | 1.36  |             |       | 128         | 1295  |             |       | 11.46       | 2.2   |             |       | 153         | 1082  | 9.58        | 2.5   | 174   | 956   | 8.46        | 1.50  | 196    | 847   | 7.50   | 1.70  | 217   | 766   | 6.78   | 1.88  | 256   | 650   | 5.75   | 2.2   | 293    | 567   | 5.02  | 2.5   | 350   | 474   | 4.20   | 2.9   |       |       |        |       |       |       |       |       |       |       |       |       |       |       |       |      |       |       |        |       |       |       |        |       |        |       |        |       |        |       |        |       |        |       |        |       |       |      |       |       |       |       |       |      |       |       |        |       |       |       |        |      |       |       |        |       |       |       |        |      |       |       |        |       |        |       |        |       |        |       |        |       |        |       |        |       |        |       |        |       |       |       |       |       |       |       |       |       |       |       |       |      |       |       |       |       |       |       |       |      |       |       |       |       |       |       |       |      |       |       |       |       |       |       |       |      |       |       |       |       |       |       |       |      |       |       |       |       |       |       |       |      |       |       |       |       |       |      |       |      |       |       |       |       |       |      |       |      |       |       |       |      |       |       |       |      |       |      |       |       |       |       |       |      |       |      |       |       |       |      |       |      |       |       |       |      |       |       |       |       |       |       |       |      |       |      |       |      |       |      |       |      |       |      |       |      |       |      |       |      |       |      |       |      |       |      |       |      |       |      |       |      |       |      |       |      |       |      |       |      |       |      |       |      |       |      |       |      |       |      |       |      |       |      |       |      |       |      |       |      |       |      |       |      |       |      |       |      |       |      |       |      |       |      |       |      |       |      |       |      |       |      |       |      |       |      |       |      |       |      |       |      |       |      |       |      |       |      |       |      |       |      |       |      |       |      |       |      |       |      |       |      |       |      |       |      |       |      |       |      |       |      |       |      |       |      |       |      |       |      |       |      |       |      |       |      |       |      |       |      |      |      |       |      |       |      |       |      |       |      |       |      |       |      |      |      |       |      |       |      |       |      |       |      |      |      |       |      |       |      |       |      |       |      |       |      |       |      |       |      |       |      |       |      |       |      |       |      |      |      |       |      |       |      |       |      |       |      |       |      |       |      |       |      |       |      |      |      |       |     |      |      |      |     |      |      |      |      |      |      |      |      |      |     |      |      |
| 69            | 2864       | 21.32    | 0.98                   | F 87        | 4       | 112           | 1763       | 13.12    | 1.60                   |             |         |             |       |       |       |             |       |             |       |             |       |             |       |             |       |             |       |             |       |             |       |             |       |             |       |             |       |             |       |             |       |             |       |             |       |             |       |             |       |             |       |             |       |             |       |       |       |             |       |        |       |        |       |       |       |        |       |       |       |        |       |        |       |       |       |       |       |        |       |       |       |        |       |       |       |       |       |       |       |       |       |       |       |       |      |       |       |        |       |       |       |        |       |        |       |        |       |        |       |        |       |        |       |        |       |       |      |       |       |       |       |       |      |       |       |        |       |       |       |        |      |       |       |        |       |       |       |        |      |       |       |        |       |        |       |        |       |        |       |        |       |        |       |        |       |        |       |        |       |       |       |       |       |       |       |       |       |       |       |       |      |       |       |       |       |       |       |       |      |       |       |       |       |       |       |       |      |       |       |       |       |       |       |       |      |       |       |       |       |       |       |       |      |       |       |       |       |       |       |       |      |       |       |       |       |       |      |       |      |       |       |       |       |       |      |       |      |       |       |       |      |       |       |       |      |       |      |       |       |       |       |       |      |       |      |       |       |       |      |       |      |       |       |       |      |       |       |       |       |       |       |       |      |       |      |       |      |       |      |       |      |       |      |       |      |       |      |       |      |       |      |       |      |       |      |       |      |       |      |       |      |       |      |       |      |       |      |       |      |       |      |       |      |       |      |       |      |       |      |       |      |       |      |       |      |       |      |       |      |       |      |       |      |       |      |       |      |       |      |       |      |       |      |       |      |       |      |       |      |       |      |       |      |       |      |       |      |       |      |       |      |       |      |       |      |       |      |       |      |       |      |       |      |       |      |       |      |       |      |       |      |       |      |       |      |       |      |       |      |       |      |       |      |       |      |       |      |       |      |       |      |       |      |       |      |       |      |       |      |      |      |       |      |       |      |       |      |       |      |       |      |       |      |      |      |       |      |       |      |       |      |       |      |      |      |       |      |       |      |       |      |       |      |       |      |       |      |       |      |       |      |       |      |       |      |       |      |      |      |       |      |       |      |       |      |       |      |       |      |       |      |       |      |       |      |      |      |       |     |      |      |      |     |      |      |      |      |      |      |      |      |      |     |      |      |
| 76            | 2594       | 19.31    | 1.09                   |             |         | 86            | 2300       | 17.12    | 1.23                   |             |         | 95          | 2080  |       |       | 15.48       | 1.36  |             |       | 128         | 1295  |             |       | 11.46       | 2.2   |             |       | 153         | 1082  |             |       | 9.58        | 2.5   | 174         | 956   | 8.46        | 1.50  |             |       | 196         | 847   | 7.50        | 1.70  | 217         | 766   | 6.78        | 1.88  | 256         | 650   | 5.75        | 2.2   | 293         | 567   | 5.02        | 2.5   | 350   | 474   | 4.20        | 2.9   |        |       |        |       |       |       |        |       |       |       |        |       |        |       |       |       |       |       |        |       |       |       |        |       |       |       |       |       |       |       |       |       |       |       |       |      |       |       |        |       |       |       |        |       |        |       |        |       |        |       |        |       |        |       |        |       |       |      |       |       |       |       |       |      |       |       |        |       |       |       |        |      |       |       |        |       |       |       |        |      |       |       |        |       |        |       |        |       |        |       |        |       |        |       |        |       |        |       |        |       |       |       |       |       |       |       |       |       |       |       |       |      |       |       |       |       |       |       |       |      |       |       |       |       |       |       |       |      |       |       |       |       |       |       |       |      |       |       |       |       |       |       |       |      |       |       |       |       |       |       |       |      |       |       |       |       |       |      |       |      |       |       |       |       |       |      |       |      |       |       |       |      |       |       |       |      |       |      |       |       |       |       |       |      |       |      |       |       |       |      |       |      |       |       |       |      |       |       |       |       |       |       |       |      |       |      |       |      |       |      |       |      |       |      |       |      |       |      |       |      |       |      |       |      |       |      |       |      |       |      |       |      |       |      |       |      |       |      |       |      |       |      |       |      |       |      |       |      |       |      |       |      |       |      |       |      |       |      |       |      |       |      |       |      |       |      |       |      |       |      |       |      |       |      |       |      |       |      |       |      |       |      |       |      |       |      |       |      |       |      |       |      |       |      |       |      |       |      |       |      |       |      |       |      |       |      |       |      |       |      |       |      |       |      |       |      |       |      |       |      |       |      |       |      |       |      |       |      |       |      |       |      |       |      |       |      |       |      |       |      |      |      |       |      |       |      |       |      |       |      |       |      |       |      |      |      |       |      |       |      |       |      |       |      |      |      |       |      |       |      |       |      |       |      |       |      |       |      |       |      |       |      |       |      |       |      |       |      |      |      |       |      |       |      |       |      |       |      |       |      |       |      |       |      |       |      |      |      |       |     |      |      |      |     |      |      |      |      |      |      |      |      |      |     |      |      |
| 86            | 2300       | 17.12    | 1.23                   |             |         | 95            | 2080       | 15.48    | 1.36                   |             |         | 128         | 1295  |       |       | 11.46       | 2.2   |             |       | 153         | 1082  |             |       | 9.58        | 2.5   | 174         | 956   | 8.46        | 1.50  |             |       | 196         | 847   | 7.50        | 1.70  | 217         | 766   | 6.78        | 1.88  | 256         | 650   | 5.75        | 2.2   | 293         | 567   | 5.02        | 2.5   | 350         | 474   | 4.20        | 2.9   |             |       |             |       |       |       |             |       |        |       |        |       |       |       |        |       |       |       |        |       |        |       |       |       |       |       |        |       |       |       |        |       |       |       |       |       |       |       |       |       |       |       |       |      |       |       |        |       |       |       |        |       |        |       |        |       |        |       |        |       |        |       |        |       |       |      |       |       |       |       |       |      |       |       |        |       |       |       |        |      |       |       |        |       |       |       |        |      |       |       |        |       |        |       |        |       |        |       |        |       |        |       |        |       |        |       |        |       |       |       |       |       |       |       |       |       |       |       |       |      |       |       |       |       |       |       |       |      |       |       |       |       |       |       |       |      |       |       |       |       |       |       |       |      |       |       |       |       |       |       |       |      |       |       |       |       |       |       |       |      |       |       |       |       |       |      |       |      |       |       |       |       |       |      |       |      |       |       |       |      |       |       |       |      |       |      |       |       |       |       |       |      |       |      |       |       |       |      |       |      |       |       |       |      |       |       |       |       |       |       |       |      |       |      |       |      |       |      |       |      |       |      |       |      |       |      |       |      |       |      |       |      |       |      |       |      |       |      |       |      |       |      |       |      |       |      |       |      |       |      |       |      |       |      |       |      |       |      |       |      |       |      |       |      |       |      |       |      |       |      |       |      |       |      |       |      |       |      |       |      |       |      |       |      |       |      |       |      |       |      |       |      |       |      |       |      |       |      |       |      |       |      |       |      |       |      |       |      |       |      |       |      |       |      |       |      |       |      |       |      |       |      |       |      |       |      |       |      |       |      |       |      |       |      |       |      |       |      |       |      |       |      |       |      |       |      |       |      |      |      |       |      |       |      |       |      |       |      |       |      |       |      |      |      |       |      |       |      |       |      |       |      |      |      |       |      |       |      |       |      |       |      |       |      |       |      |       |      |       |      |       |      |       |      |       |      |      |      |       |      |       |      |       |      |       |      |       |      |       |      |       |      |       |      |      |      |       |     |      |      |      |     |      |      |      |      |      |      |      |      |      |     |      |      |
| 95            | 2080       | 15.48    | 1.36                   |             |         | 128           | 1295       | 11.46    | 2.2                    |             |         | 153         | 1082  |       |       | 9.58        | 2.5   | 174         | 956   | 8.46        | 1.50  |             |       | 196         | 847   | 7.50        | 1.70  | 217         | 766   | 6.78        | 1.88  | 256         | 650   | 5.75        | 2.2   | 293         | 567   | 5.02        | 2.5   | 350         | 474   | 4.20        | 2.9   |             |       |             |       |             |       |             |       |             |       |             |       |       |       |             |       |        |       |        |       |       |       |        |       |       |       |        |       |        |       |       |       |       |       |        |       |       |       |        |       |       |       |       |       |       |       |       |       |       |       |       |      |       |       |        |       |       |       |        |       |        |       |        |       |        |       |        |       |        |       |        |       |       |      |       |       |       |       |       |      |       |       |        |       |       |       |        |      |       |       |        |       |       |       |        |      |       |       |        |       |        |       |        |       |        |       |        |       |        |       |        |       |        |       |        |       |       |       |       |       |       |       |       |       |       |       |       |      |       |       |       |       |       |       |       |      |       |       |       |       |       |       |       |      |       |       |       |       |       |       |       |      |       |       |       |       |       |       |       |      |       |       |       |       |       |       |       |      |       |       |       |       |       |      |       |      |       |       |       |       |       |      |       |      |       |       |       |      |       |       |       |      |       |      |       |       |       |       |       |      |       |      |       |       |       |      |       |      |       |       |       |      |       |       |       |       |       |       |       |      |       |      |       |      |       |      |       |      |       |      |       |      |       |      |       |      |       |      |       |      |       |      |       |      |       |      |       |      |       |      |       |      |       |      |       |      |       |      |       |      |       |      |       |      |       |      |       |      |       |      |       |      |       |      |       |      |       |      |       |      |       |      |       |      |       |      |       |      |       |      |       |      |       |      |       |      |       |      |       |      |       |      |       |      |       |      |       |      |       |      |       |      |       |      |       |      |       |      |       |      |       |      |       |      |       |      |       |      |       |      |       |      |       |      |       |      |       |      |       |      |       |      |       |      |       |      |       |      |       |      |       |      |       |      |       |      |      |      |       |      |       |      |       |      |       |      |       |      |       |      |      |      |       |      |       |      |       |      |       |      |      |      |       |      |       |      |       |      |       |      |       |      |       |      |       |      |       |      |       |      |       |      |       |      |      |      |       |      |       |      |       |      |       |      |       |      |       |      |       |      |       |      |      |      |       |     |      |      |      |     |      |      |      |      |      |      |      |      |      |     |      |      |
| 128           | 1295       | 11.46    | 2.2                    |             |         |               |            |          |                        |             |         |             |       |       |       |             |       |             |       |             |       |             |       |             |       |             |       |             |       |             |       |             |       |             |       |             |       |             |       |             |       |             |       |             |       |             |       |             |       |             |       |             |       |             |       |       |       |             |       |        |       |        |       |       |       |        |       |       |       |        |       |        |       |       |       |       |       |        |       |       |       |        |       |       |       |       |       |       |       |       |       |       |       |       |      |       |       |        |       |       |       |        |       |        |       |        |       |        |       |        |       |        |       |        |       |       |      |       |       |       |       |       |      |       |       |        |       |       |       |        |      |       |       |        |       |       |       |        |      |       |       |        |       |        |       |        |       |        |       |        |       |        |       |        |       |        |       |        |       |       |       |       |       |       |       |       |       |       |       |       |      |       |       |       |       |       |       |       |      |       |       |       |       |       |       |       |      |       |       |       |       |       |       |       |      |       |       |       |       |       |       |       |      |       |       |       |       |       |       |       |      |       |       |       |       |       |      |       |      |       |       |       |       |       |      |       |      |       |       |       |      |       |       |       |      |       |      |       |       |       |       |       |      |       |      |       |       |       |      |       |      |       |       |       |      |       |       |       |       |       |       |       |      |       |      |       |      |       |      |       |      |       |      |       |      |       |      |       |      |       |      |       |      |       |      |       |      |       |      |       |      |       |      |       |      |       |      |       |      |       |      |       |      |       |      |       |      |       |      |       |      |       |      |       |      |       |      |       |      |       |      |       |      |       |      |       |      |       |      |       |      |       |      |       |      |       |      |       |      |       |      |       |      |       |      |       |      |       |      |       |      |       |      |       |      |       |      |       |      |       |      |       |      |       |      |       |      |       |      |       |      |       |      |       |      |       |      |       |      |       |      |       |      |       |      |       |      |       |      |       |      |       |      |       |      |       |      |       |      |      |      |       |      |       |      |       |      |       |      |       |      |       |      |      |      |       |      |       |      |       |      |       |      |      |      |       |      |       |      |       |      |       |      |       |      |       |      |       |      |       |      |       |      |       |      |       |      |      |      |       |      |       |      |       |      |       |      |       |      |       |      |       |      |       |      |      |      |       |     |      |      |      |     |      |      |      |      |      |      |      |      |      |     |      |      |
| 153           | 1082       | 9.58     | 2.5                    | 174         | 956     | 8.46          | 1.50       | 196      | 847                    | 7.50        | 1.70    | 217         | 766   | 6.78  | 1.88  | 256         | 650   | 5.75        | 2.2   | 293         | 567   | 5.02        | 2.5   | 350         | 474   | 4.20        | 2.9   |             |       |             |       |             |       |             |       |             |       |             |       |             |       |             |       |             |       |             |       |             |       |             |       |             |       |             |       |       |       |             |       |        |       |        |       |       |       |        |       |       |       |        |       |        |       |       |       |       |       |        |       |       |       |        |       |       |       |       |       |       |       |       |       |       |       |       |      |       |       |        |       |       |       |        |       |        |       |        |       |        |       |        |       |        |       |        |       |       |      |       |       |       |       |       |      |       |       |        |       |       |       |        |      |       |       |        |       |       |       |        |      |       |       |        |       |        |       |        |       |        |       |        |       |        |       |        |       |        |       |        |       |       |       |       |       |       |       |       |       |       |       |       |      |       |       |       |       |       |       |       |      |       |       |       |       |       |       |       |      |       |       |       |       |       |       |       |      |       |       |       |       |       |       |       |      |       |       |       |       |       |       |       |      |       |       |       |       |       |      |       |      |       |       |       |       |       |      |       |      |       |       |       |      |       |       |       |      |       |      |       |       |       |       |       |      |       |      |       |       |       |      |       |      |       |       |       |      |       |       |       |       |       |       |       |      |       |      |       |      |       |      |       |      |       |      |       |      |       |      |       |      |       |      |       |      |       |      |       |      |       |      |       |      |       |      |       |      |       |      |       |      |       |      |       |      |       |      |       |      |       |      |       |      |       |      |       |      |       |      |       |      |       |      |       |      |       |      |       |      |       |      |       |      |       |      |       |      |       |      |       |      |       |      |       |      |       |      |       |      |       |      |       |      |       |      |       |      |       |      |       |      |       |      |       |      |       |      |       |      |       |      |       |      |       |      |       |      |       |      |       |      |       |      |       |      |       |      |       |      |       |      |       |      |       |      |       |      |       |      |       |      |      |      |       |      |       |      |       |      |       |      |       |      |       |      |      |      |       |      |       |      |       |      |       |      |      |      |       |      |       |      |       |      |       |      |       |      |       |      |       |      |       |      |       |      |       |      |       |      |      |      |       |      |       |      |       |      |       |      |       |      |       |      |       |      |       |      |      |      |       |     |      |      |      |     |      |      |      |      |      |      |      |      |      |     |      |      |
| 174           | 956        | 8.46     | 1.50                   | 196         | 847     | 7.50          | 1.70       | 217      | 766                    | 6.78        | 1.88    | 256         | 650   | 5.75  | 2.2   | 293         | 567   | 5.02        | 2.5   | 350         | 474   | 4.20        | 2.9   |             |       |             |       |             |       |             |       |             |       |             |       |             |       |             |       |             |       |             |       |             |       |             |       |             |       |             |       |             |       |             |       |       |       |             |       |        |       |        |       |       |       |        |       |       |       |        |       |        |       |       |       |       |       |        |       |       |       |        |       |       |       |       |       |       |       |       |       |       |       |       |      |       |       |        |       |       |       |        |       |        |       |        |       |        |       |        |       |        |       |        |       |       |      |       |       |       |       |       |      |       |       |        |       |       |       |        |      |       |       |        |       |       |       |        |      |       |       |        |       |        |       |        |       |        |       |        |       |        |       |        |       |        |       |        |       |       |       |       |       |       |       |       |       |       |       |       |      |       |       |       |       |       |       |       |      |       |       |       |       |       |       |       |      |       |       |       |       |       |       |       |      |       |       |       |       |       |       |       |      |       |       |       |       |       |       |       |      |       |       |       |       |       |      |       |      |       |       |       |       |       |      |       |      |       |       |       |      |       |       |       |      |       |      |       |       |       |       |       |      |       |      |       |       |       |      |       |      |       |       |       |      |       |       |       |       |       |       |       |      |       |      |       |      |       |      |       |      |       |      |       |      |       |      |       |      |       |      |       |      |       |      |       |      |       |      |       |      |       |      |       |      |       |      |       |      |       |      |       |      |       |      |       |      |       |      |       |      |       |      |       |      |       |      |       |      |       |      |       |      |       |      |       |      |       |      |       |      |       |      |       |      |       |      |       |      |       |      |       |      |       |      |       |      |       |      |       |      |       |      |       |      |       |      |       |      |       |      |       |      |       |      |       |      |       |      |       |      |       |      |       |      |       |      |       |      |       |      |       |      |       |      |       |      |       |      |       |      |       |      |       |      |       |      |       |      |      |      |       |      |       |      |       |      |       |      |       |      |       |      |      |      |       |      |       |      |       |      |       |      |      |      |       |      |       |      |       |      |       |      |       |      |       |      |       |      |       |      |       |      |       |      |       |      |      |      |       |      |       |      |       |      |       |      |       |      |       |      |       |      |       |      |      |      |       |     |      |      |      |     |      |      |      |      |      |      |      |      |      |     |      |      |
| 196           | 847        | 7.50     | 1.70                   | 217         | 766     | 6.78          | 1.88       | 256      | 650                    | 5.75        | 2.2     | 293         | 567   | 5.02  | 2.5   | 350         | 474   | 4.20        | 2.9   |             |       |             |       |             |       |             |       |             |       |             |       |             |       |             |       |             |       |             |       |             |       |             |       |             |       |             |       |             |       |             |       |             |       |             |       |       |       |             |       |        |       |        |       |       |       |        |       |       |       |        |       |        |       |       |       |       |       |        |       |       |       |        |       |       |       |       |       |       |       |       |       |       |       |       |      |       |       |        |       |       |       |        |       |        |       |        |       |        |       |        |       |        |       |        |       |       |      |       |       |       |       |       |      |       |       |        |       |       |       |        |      |       |       |        |       |       |       |        |      |       |       |        |       |        |       |        |       |        |       |        |       |        |       |        |       |        |       |        |       |       |       |       |       |       |       |       |       |       |       |       |      |       |       |       |       |       |       |       |      |       |       |       |       |       |       |       |      |       |       |       |       |       |       |       |      |       |       |       |       |       |       |       |      |       |       |       |       |       |       |       |      |       |       |       |       |       |      |       |      |       |       |       |       |       |      |       |      |       |       |       |      |       |       |       |      |       |      |       |       |       |       |       |      |       |      |       |       |       |      |       |      |       |       |       |      |       |       |       |       |       |       |       |      |       |      |       |      |       |      |       |      |       |      |       |      |       |      |       |      |       |      |       |      |       |      |       |      |       |      |       |      |       |      |       |      |       |      |       |      |       |      |       |      |       |      |       |      |       |      |       |      |       |      |       |      |       |      |       |      |       |      |       |      |       |      |       |      |       |      |       |      |       |      |       |      |       |      |       |      |       |      |       |      |       |      |       |      |       |      |       |      |       |      |       |      |       |      |       |      |       |      |       |      |       |      |       |      |       |      |       |      |       |      |       |      |       |      |       |      |       |      |       |      |       |      |       |      |       |      |       |      |       |      |       |      |       |      |       |      |      |      |       |      |       |      |       |      |       |      |       |      |       |      |      |      |       |      |       |      |       |      |       |      |      |      |       |      |       |      |       |      |       |      |       |      |       |      |       |      |       |      |       |      |       |      |       |      |      |      |       |      |       |      |       |      |       |      |       |      |       |      |       |      |       |      |      |      |       |     |      |      |      |     |      |      |      |      |      |      |      |      |      |     |      |      |
| 217           | 766        | 6.78     | 1.88                   | 256         | 650     | 5.75          | 2.2        | 293      | 567                    | 5.02        | 2.5     | 350         | 474   | 4.20  | 2.9   |             |       |             |       |             |       |             |       |             |       |             |       |             |       |             |       |             |       |             |       |             |       |             |       |             |       |             |       |             |       |             |       |             |       |             |       |             |       |             |       |       |       |             |       |        |       |        |       |       |       |        |       |       |       |        |       |        |       |       |       |       |       |        |       |       |       |        |       |       |       |       |       |       |       |       |       |       |       |       |      |       |       |        |       |       |       |        |       |        |       |        |       |        |       |        |       |        |       |        |       |       |      |       |       |       |       |       |      |       |       |        |       |       |       |        |      |       |       |        |       |       |       |        |      |       |       |        |       |        |       |        |       |        |       |        |       |        |       |        |       |        |       |        |       |       |       |       |       |       |       |       |       |       |       |       |      |       |       |       |       |       |       |       |      |       |       |       |       |       |       |       |      |       |       |       |       |       |       |       |      |       |       |       |       |       |       |       |      |       |       |       |       |       |       |       |      |       |       |       |       |       |      |       |      |       |       |       |       |       |      |       |      |       |       |       |      |       |       |       |      |       |      |       |       |       |       |       |      |       |      |       |       |       |      |       |      |       |       |       |      |       |       |       |       |       |       |       |      |       |      |       |      |       |      |       |      |       |      |       |      |       |      |       |      |       |      |       |      |       |      |       |      |       |      |       |      |       |      |       |      |       |      |       |      |       |      |       |      |       |      |       |      |       |      |       |      |       |      |       |      |       |      |       |      |       |      |       |      |       |      |       |      |       |      |       |      |       |      |       |      |       |      |       |      |       |      |       |      |       |      |       |      |       |      |       |      |       |      |       |      |       |      |       |      |       |      |       |      |       |      |       |      |       |      |       |      |       |      |       |      |       |      |       |      |       |      |       |      |       |      |       |      |       |      |       |      |       |      |       |      |       |      |       |      |      |      |       |      |       |      |       |      |       |      |       |      |       |      |      |      |       |      |       |      |       |      |       |      |      |      |       |      |       |      |       |      |       |      |       |      |       |      |       |      |       |      |       |      |       |      |       |      |      |      |       |      |       |      |       |      |       |      |       |      |       |      |       |      |       |      |      |      |       |     |      |      |      |     |      |      |      |      |      |      |      |      |      |     |      |      |
| 256           | 650        | 5.75     | 2.2                    | 293         | 567     | 5.02          | 2.5        | 350      | 474                    | 4.20        | 2.9     |             |       |       |       |             |       |             |       |             |       |             |       |             |       |             |       |             |       |             |       |             |       |             |       |             |       |             |       |             |       |             |       |             |       |             |       |             |       |             |       |             |       |             |       |       |       |             |       |        |       |        |       |       |       |        |       |       |       |        |       |        |       |       |       |       |       |        |       |       |       |        |       |       |       |       |       |       |       |       |       |       |       |       |      |       |       |        |       |       |       |        |       |        |       |        |       |        |       |        |       |        |       |        |       |       |      |       |       |       |       |       |      |       |       |        |       |       |       |        |      |       |       |        |       |       |       |        |      |       |       |        |       |        |       |        |       |        |       |        |       |        |       |        |       |        |       |        |       |       |       |       |       |       |       |       |       |       |       |       |      |       |       |       |       |       |       |       |      |       |       |       |       |       |       |       |      |       |       |       |       |       |       |       |      |       |       |       |       |       |       |       |      |       |       |       |       |       |       |       |      |       |       |       |       |       |      |       |      |       |       |       |       |       |      |       |      |       |       |       |      |       |       |       |      |       |      |       |       |       |       |       |      |       |      |       |       |       |      |       |      |       |       |       |      |       |       |       |       |       |       |       |      |       |      |       |      |       |      |       |      |       |      |       |      |       |      |       |      |       |      |       |      |       |      |       |      |       |      |       |      |       |      |       |      |       |      |       |      |       |      |       |      |       |      |       |      |       |      |       |      |       |      |       |      |       |      |       |      |       |      |       |      |       |      |       |      |       |      |       |      |       |      |       |      |       |      |       |      |       |      |       |      |       |      |       |      |       |      |       |      |       |      |       |      |       |      |       |      |       |      |       |      |       |      |       |      |       |      |       |      |       |      |       |      |       |      |       |      |       |      |       |      |       |      |       |      |       |      |       |      |       |      |       |      |       |      |       |      |      |      |       |      |       |      |       |      |       |      |       |      |       |      |      |      |       |      |       |      |       |      |       |      |      |      |       |      |       |      |       |      |       |      |       |      |       |      |       |      |       |      |       |      |       |      |       |      |      |      |       |      |       |      |       |      |       |      |       |      |       |      |       |      |       |      |      |      |       |     |      |      |      |     |      |      |      |      |      |      |      |      |      |     |      |      |
| 293           | 567        | 5.02     | 2.5                    | 350         | 474     | 4.20          | 2.9        |          |                        |             |         |             |       |       |       |             |       |             |       |             |       |             |       |             |       |             |       |             |       |             |       |             |       |             |       |             |       |             |       |             |       |             |       |             |       |             |       |             |       |             |       |             |       |             |       |       |       |             |       |        |       |        |       |       |       |        |       |       |       |        |       |        |       |       |       |       |       |        |       |       |       |        |       |       |       |       |       |       |       |       |       |       |       |       |      |       |       |        |       |       |       |        |       |        |       |        |       |        |       |        |       |        |       |        |       |       |      |       |       |       |       |       |      |       |       |        |       |       |       |        |      |       |       |        |       |       |       |        |      |       |       |        |       |        |       |        |       |        |       |        |       |        |       |        |       |        |       |        |       |       |       |       |       |       |       |       |       |       |       |       |      |       |       |       |       |       |       |       |      |       |       |       |       |       |       |       |      |       |       |       |       |       |       |       |      |       |       |       |       |       |       |       |      |       |       |       |       |       |       |       |      |       |       |       |       |       |      |       |      |       |       |       |       |       |      |       |      |       |       |       |      |       |       |       |      |       |      |       |       |       |       |       |      |       |      |       |       |       |      |       |      |       |       |       |      |       |       |       |       |       |       |       |      |       |      |       |      |       |      |       |      |       |      |       |      |       |      |       |      |       |      |       |      |       |      |       |      |       |      |       |      |       |      |       |      |       |      |       |      |       |      |       |      |       |      |       |      |       |      |       |      |       |      |       |      |       |      |       |      |       |      |       |      |       |      |       |      |       |      |       |      |       |      |       |      |       |      |       |      |       |      |       |      |       |      |       |      |       |      |       |      |       |      |       |      |       |      |       |      |       |      |       |      |       |      |       |      |       |      |       |      |       |      |       |      |       |      |       |      |       |      |       |      |       |      |       |      |       |      |       |      |       |      |       |      |       |      |       |      |      |      |       |      |       |      |       |      |       |      |       |      |       |      |      |      |       |      |       |      |       |      |       |      |      |      |       |      |       |      |       |      |       |      |       |      |       |      |       |      |       |      |       |      |       |      |       |      |      |      |       |      |       |      |       |      |       |      |       |      |       |      |       |      |       |      |      |      |       |     |      |      |      |     |      |      |      |      |      |      |      |      |      |     |      |      |
| 350           | 474        | 4.20     | 2.9                    |             |         |               |            |          |                        |             |         |             |       |       |       |             |       |             |       |             |       |             |       |             |       |             |       |             |       |             |       |             |       |             |       |             |       |             |       |             |       |             |       |             |       |             |       |             |       |             |       |             |       |             |       |       |       |             |       |        |       |        |       |       |       |        |       |       |       |        |       |        |       |       |       |       |       |        |       |       |       |        |       |       |       |       |       |       |       |       |       |       |       |       |      |       |       |        |       |       |       |        |       |        |       |        |       |        |       |        |       |        |       |        |       |       |      |       |       |       |       |       |      |       |       |        |       |       |       |        |      |       |       |        |       |       |       |        |      |       |       |        |       |        |       |        |       |        |       |        |       |        |       |        |       |        |       |        |       |       |       |       |       |       |       |       |       |       |       |       |      |       |       |       |       |       |       |       |      |       |       |       |       |       |       |       |      |       |       |       |       |       |       |       |      |       |       |       |       |       |       |       |      |       |       |       |       |       |       |       |      |       |       |       |       |       |      |       |      |       |       |       |       |       |      |       |      |       |       |       |      |       |       |       |      |       |      |       |       |       |       |       |      |       |      |       |       |       |      |       |      |       |       |       |      |       |       |       |       |       |       |       |      |       |      |       |      |       |      |       |      |       |      |       |      |       |      |       |      |       |      |       |      |       |      |       |      |       |      |       |      |       |      |       |      |       |      |       |      |       |      |       |      |       |      |       |      |       |      |       |      |       |      |       |      |       |      |       |      |       |      |       |      |       |      |       |      |       |      |       |      |       |      |       |      |       |      |       |      |       |      |       |      |       |      |       |      |       |      |       |      |       |      |       |      |       |      |       |      |       |      |       |      |       |      |       |      |       |      |       |      |       |      |       |      |       |      |       |      |       |      |       |      |       |      |       |      |       |      |       |      |       |      |       |      |       |      |       |      |      |      |       |      |       |      |       |      |       |      |       |      |       |      |      |      |       |      |       |      |       |      |       |      |      |      |       |      |       |      |       |      |       |      |       |      |       |      |       |      |       |      |       |      |       |      |       |      |      |      |       |      |       |      |       |      |       |      |       |      |       |      |       |      |       |      |      |      |       |     |      |      |      |     |      |      |      |      |      |      |      |      |      |     |      |      |

减速机的外形安装尺寸在95页到101页里查找。The appearance of reducer installation dimensions in 95 to 101 page search page.



| 输出转速<br>r/min | 输出扭矩<br>Nm | 传动比<br>i | 使用系数<br>f <sub>B</sub> | 机型号<br>Type | 极数<br>p | 输出转速<br>r/min | 输出扭矩<br>Nm | 传动比<br>i    | 使用系数<br>f <sub>B</sub> | 机型号<br>Type | 极数<br>p |             |       |             |       |             |       |             |       |             |       |             |       |             |       |             |       |             |       |             |       |             |       |             |       |             |       |             |       |             |       |             |       |             |       |             |       |             |       |             |       |             |       |             |       |             |       |             |       |             |       |             |       |             |       |             |       |             |       |             |       |             |       |             |       |             |       |             |       |             |       |             |       |             |       |             |       |             |       |             |       |             |       |             |       |             |       |             |       |             |       |             |       |             |       |             |       |             |       |             |       |             |       |             |       |             |       |             |       |             |       |             |       |             |       |             |       |             |       |             |       |             |       |             |       |             |       |             |       |             |       |             |       |             |       |             |       |       |       |             |       |       |       |       |       |       |       |       |       |       |       |       |       |       |       |       |       |       |       |       |       |       |       |       |       |       |       |       |       |             |       |       |      |             |       |             |      |             |       |             |       |             |       |             |      |             |       |             |       |             |       |             |       |             |       |             |       |             |       |             |       |             |       |             |       |             |       |             |       |             |       |             |       |             |       |             |       |             |       |             |       |             |       |             |       |       |       |             |       |             |       |             |       |       |       |             |       |             |       |             |       |       |       |             |       |             |       |       |       |       |       |             |       |             |       |       |       |             |       |             |      |       |       |             |       |             |       |       |      |             |       |             |       |             |       |             |       |             |       |             |       |             |       |             |       |             |       |             |       |             |       |             |       |             |       |             |       |       |       |             |       |       |       |       |       |       |       |       |       |       |       |       |       |       |       |       |      |             |       |       |       |             |       |             |       |             |       |             |       |             |       |             |       |       |       |             |       |       |       |       |       |             |       |             |       |             |       |             |      |             |       |             |      |             |       |             |       |             |       |             |       |             |       |             |       |             |       |             |       |             |       |             |       |             |       |             |       |             |       |             |       |             |       |             |       |             |       |             |       |             |       |       |       |             |       |             |       |             |       |       |       |             |       |             |       |       |       |       |       |             |       |       |      |       |       |             |       |             |       |       |       |             |       |       |       |             |       |       |       |             |       |       |       |       |       |             |       |             |       |       |       |       |       |             |       |             |       |       |       |             |       |             |       |             |       |             |       |             |       |             |      |       |       |             |       |       |       |       |       |             |       |       |       |             |       |       |      |       |       |             |       |       |       |       |       |             |       |       |       |       |      |       |       |             |       |             |       |       |      |       |       |             |       |       |       |       |       |             |       |       |      |       |       |       |      |             |       |       |      |       |      |       |       |       |      |       |       |             |       |       |      |       |      |             |       |       |      |             |       |             |       |             |      |       |      |             |       |             |      |       |      |       |       |       |       |             |       |       |      |       |       |       |       |             |       |       |      |             |       |       |      |             |       |             |      |       |       |       |       |             |       |       |      |       |       |       |      |             |       |       |       |       |      |       |       |       |       |       |       |       |       |       |      |       |      |       |       |       |       |       |       |       |       |       |      |       |      |       |      |       |      |       |      |       |      |       |      |       |      |       |      |       |      |       |      |       |      |       |      |       |      |       |      |       |      |       |      |       |      |       |      |       |      |       |      |      |      |      |      |      |      |      |      |      |      |
|---------------|------------|----------|------------------------|-------------|---------|---------------|------------|-------------|------------------------|-------------|---------|-------------|-------|-------------|-------|-------------|-------|-------------|-------|-------------|-------|-------------|-------|-------------|-------|-------------|-------|-------------|-------|-------------|-------|-------------|-------|-------------|-------|-------------|-------|-------------|-------|-------------|-------|-------------|-------|-------------|-------|-------------|-------|-------------|-------|-------------|-------|-------------|-------|-------------|-------|-------------|-------|-------------|-------|-------------|-------|-------------|-------|-------------|-------|-------------|-------|-------------|-------|-------------|-------|-------------|-------|-------------|-------|-------------|-------|-------------|-------|-------------|-------|-------------|-------|-------------|-------|-------------|-------|-------------|-------|-------------|-------|-------------|-------|-------------|-------|-------------|-------|-------------|-------|-------------|-------|-------------|-------|-------------|-------|-------------|-------|-------------|-------|-------------|-------|-------------|-------|-------------|-------|-------------|-------|-------------|-------|-------------|-------|-------------|-------|-------------|-------|-------------|-------|-------------|-------|-------------|-------|-------------|-------|-------------|-------|-------------|-------|-------------|-------|-------------|-------|-------------|-------|-------------|-------|-------------|-------|-------|-------|-------------|-------|-------|-------|-------|-------|-------|-------|-------|-------|-------|-------|-------|-------|-------|-------|-------|-------|-------|-------|-------|-------|-------|-------|-------|-------|-------|-------|-------|-------|-------------|-------|-------|------|-------------|-------|-------------|------|-------------|-------|-------------|-------|-------------|-------|-------------|------|-------------|-------|-------------|-------|-------------|-------|-------------|-------|-------------|-------|-------------|-------|-------------|-------|-------------|-------|-------------|-------|-------------|-------|-------------|-------|-------------|-------|-------------|-------|-------------|-------|-------------|-------|-------------|-------|-------------|-------|-------------|-------|-------------|-------|-------------|-------|-------|-------|-------------|-------|-------------|-------|-------------|-------|-------|-------|-------------|-------|-------------|-------|-------------|-------|-------|-------|-------------|-------|-------------|-------|-------|-------|-------|-------|-------------|-------|-------------|-------|-------|-------|-------------|-------|-------------|------|-------|-------|-------------|-------|-------------|-------|-------|------|-------------|-------|-------------|-------|-------------|-------|-------------|-------|-------------|-------|-------------|-------|-------------|-------|-------------|-------|-------------|-------|-------------|-------|-------------|-------|-------------|-------|-------------|-------|-------------|-------|-------|-------|-------------|-------|-------|-------|-------|-------|-------|-------|-------|-------|-------|-------|-------|-------|-------|-------|-------|------|-------------|-------|-------|-------|-------------|-------|-------------|-------|-------------|-------|-------------|-------|-------------|-------|-------------|-------|-------|-------|-------------|-------|-------|-------|-------|-------|-------------|-------|-------------|-------|-------------|-------|-------------|------|-------------|-------|-------------|------|-------------|-------|-------------|-------|-------------|-------|-------------|-------|-------------|-------|-------------|-------|-------------|-------|-------------|-------|-------------|-------|-------------|-------|-------------|-------|-------------|-------|-------------|-------|-------------|-------|-------------|-------|-------------|-------|-------------|-------|-------------|-------|-------------|-------|-------|-------|-------------|-------|-------------|-------|-------------|-------|-------|-------|-------------|-------|-------------|-------|-------|-------|-------|-------|-------------|-------|-------|------|-------|-------|-------------|-------|-------------|-------|-------|-------|-------------|-------|-------|-------|-------------|-------|-------|-------|-------------|-------|-------|-------|-------|-------|-------------|-------|-------------|-------|-------|-------|-------|-------|-------------|-------|-------------|-------|-------|-------|-------------|-------|-------------|-------|-------------|-------|-------------|-------|-------------|-------|-------------|------|-------|-------|-------------|-------|-------|-------|-------|-------|-------------|-------|-------|-------|-------------|-------|-------|------|-------|-------|-------------|-------|-------|-------|-------|-------|-------------|-------|-------|-------|-------|------|-------|-------|-------------|-------|-------------|-------|-------|------|-------|-------|-------------|-------|-------|-------|-------|-------|-------------|-------|-------|------|-------|-------|-------|------|-------------|-------|-------|------|-------|------|-------|-------|-------|------|-------|-------|-------------|-------|-------|------|-------|------|-------------|-------|-------|------|-------------|-------|-------------|-------|-------------|------|-------|------|-------------|-------|-------------|------|-------|------|-------|-------|-------|-------|-------------|-------|-------|------|-------|-------|-------|-------|-------------|-------|-------|------|-------------|-------|-------|------|-------------|-------|-------------|------|-------|-------|-------|-------|-------------|-------|-------|------|-------|-------|-------|------|-------------|-------|-------|-------|-------|------|-------|-------|-------|-------|-------|-------|-------|-------|-------|------|-------|------|-------|-------|-------|-------|-------|-------|-------|-------|-------|------|-------|------|-------|------|-------|------|-------|------|-------|------|-------|------|-------|------|-------|------|-------|------|-------|------|-------|------|-------|------|-------|------|-------|------|-------|------|-------|------|-------|------|-------|------|-------|------|-------|------|------|------|------|------|------|------|------|------|------|------|
| <b>37kW</b>   |            |          |                        |             |         | <b>45kW</b>   |            |             |                        |             |         |             |       |             |       |             |       |             |       |             |       |             |       |             |       |             |       |             |       |             |       |             |       |             |       |             |       |             |       |             |       |             |       |             |       |             |       |             |       |             |       |             |       |             |       |             |       |             |       |             |       |             |       |             |       |             |       |             |       |             |       |             |       |             |       |             |       |             |       |             |       |             |       |             |       |             |       |             |       |             |       |             |       |             |       |             |       |             |       |             |       |             |       |             |       |             |       |             |       |             |       |             |       |             |       |             |       |             |       |             |       |             |       |             |       |             |       |             |       |             |       |             |       |             |       |             |       |             |       |             |       |             |       |             |       |             |       |       |       |             |       |       |       |       |       |       |       |       |       |       |       |       |       |       |       |       |       |       |       |       |       |       |       |       |       |       |       |       |       |             |       |       |      |             |       |             |      |             |       |             |       |             |       |             |      |             |       |             |       |             |       |             |       |             |       |             |       |             |       |             |       |             |       |             |       |             |       |             |       |             |       |             |       |             |       |             |       |             |       |             |       |             |       |             |       |       |       |             |       |             |       |             |       |       |       |             |       |             |       |             |       |       |       |             |       |             |       |       |       |       |       |             |       |             |       |       |       |             |       |             |      |       |       |             |       |             |       |       |      |             |       |             |       |             |       |             |       |             |       |             |       |             |       |             |       |             |       |             |       |             |       |             |       |             |       |             |       |       |       |             |       |       |       |       |       |       |       |       |       |       |       |       |       |       |       |       |      |             |       |       |       |             |       |             |       |             |       |             |       |             |       |             |       |       |       |             |       |       |       |       |       |             |       |             |       |             |       |             |      |             |       |             |      |             |       |             |       |             |       |             |       |             |       |             |       |             |       |             |       |             |       |             |       |             |       |             |       |             |       |             |       |             |       |             |       |             |       |             |       |             |       |       |       |             |       |             |       |             |       |       |       |             |       |             |       |       |       |       |       |             |       |       |      |       |       |             |       |             |       |       |       |             |       |       |       |             |       |       |       |             |       |       |       |       |       |             |       |             |       |       |       |       |       |             |       |             |       |       |       |             |       |             |       |             |       |             |       |             |       |             |      |       |       |             |       |       |       |       |       |             |       |       |       |             |       |       |      |       |       |             |       |       |       |       |       |             |       |       |       |       |      |       |       |             |       |             |       |       |      |       |       |             |       |       |       |       |       |             |       |       |      |       |       |       |      |             |       |       |      |       |      |       |       |       |      |       |       |             |       |       |      |       |      |             |       |       |      |             |       |             |       |             |      |       |      |             |       |             |      |       |      |       |       |       |       |             |       |       |      |       |       |       |       |             |       |       |      |             |       |       |      |             |       |             |      |       |       |       |       |             |       |       |      |       |       |       |      |             |       |       |       |       |      |       |       |       |       |       |       |       |       |       |      |       |      |       |       |       |       |       |       |       |       |       |      |       |      |       |      |       |      |       |      |       |      |       |      |       |      |       |      |       |      |       |      |       |      |       |      |       |      |       |      |       |      |       |      |       |      |       |      |       |      |       |      |      |      |      |      |      |      |      |      |      |      |
| 17            | 19503      | 86.90    | 0.87                   | F 157       | 4       | 54            | 7525       | 27.57       | 0.98                   | F 107       | 4       |             |       |             |       |             |       |             |       |             |       |             |       |             |       |             |       |             |       |             |       |             |       |             |       |             |       |             |       |             |       |             |       |             |       |             |       |             |       |             |       |             |       |             |       |             |       |             |       |             |       |             |       |             |       |             |       |             |       |             |       |             |       |             |       |             |       |             |       |             |       |             |       |             |       |             |       |             |       |             |       |             |       |             |       |             |       |             |       |             |       |             |       |             |       |             |       |             |       |             |       |             |       |             |       |             |       |             |       |             |       |             |       |             |       |             |       |             |       |             |       |             |       |             |       |             |       |             |       |             |       |             |       |             |       |             |       |       |       |             |       |       |       |       |       |       |       |       |       |       |       |       |       |       |       |       |       |       |       |       |       |       |       |       |       |       |       |       |       |             |       |       |      |             |       |             |      |             |       |             |       |             |       |             |      |             |       |             |       |             |       |             |       |             |       |             |       |             |       |             |       |             |       |             |       |             |       |             |       |             |       |             |       |             |       |             |       |             |       |             |       |             |       |             |       |       |       |             |       |             |       |             |       |       |       |             |       |             |       |             |       |       |       |             |       |             |       |       |       |       |       |             |       |             |       |       |       |             |       |             |      |       |       |             |       |             |       |       |      |             |       |             |       |             |       |             |       |             |       |             |       |             |       |             |       |             |       |             |       |             |       |             |       |             |       |             |       |       |       |             |       |       |       |       |       |       |       |       |       |       |       |       |       |       |       |       |      |             |       |       |       |             |       |             |       |             |       |             |       |             |       |             |       |       |       |             |       |       |       |       |       |             |       |             |       |             |       |             |      |             |       |             |      |             |       |             |       |             |       |             |       |             |       |             |       |             |       |             |       |             |       |             |       |             |       |             |       |             |       |             |       |             |       |             |       |             |       |             |       |             |       |       |       |             |       |             |       |             |       |       |       |             |       |             |       |       |       |       |       |             |       |       |      |       |       |             |       |             |       |       |       |             |       |       |       |             |       |       |       |             |       |       |       |       |       |             |       |             |       |       |       |       |       |             |       |             |       |       |       |             |       |             |       |             |       |             |       |             |       |             |      |       |       |             |       |       |       |       |       |             |       |       |       |             |       |       |      |       |       |             |       |       |       |       |       |             |       |       |       |       |      |       |       |             |       |             |       |       |      |       |       |             |       |       |       |       |       |             |       |       |      |       |       |       |      |             |       |       |      |       |      |       |       |       |      |       |       |             |       |       |      |       |      |             |       |       |      |             |       |             |       |             |      |       |      |             |       |             |      |       |      |       |       |       |       |             |       |       |      |       |       |       |       |             |       |       |      |             |       |       |      |             |       |             |      |       |       |       |       |             |       |       |      |       |       |       |      |             |       |       |       |       |      |       |       |       |       |       |       |       |       |       |      |       |      |       |       |       |       |       |       |       |       |       |      |       |      |       |      |       |      |       |      |       |      |       |      |       |      |       |      |       |      |       |      |       |      |       |      |       |      |       |      |       |      |       |      |       |      |       |      |       |      |       |      |      |      |      |      |      |      |      |      |      |      |
| 19            | 17835      | 79.47    | 0.95                   |             |         | 21            | 15519      | 69.15       | 1.09                   |             |         | 24          | 13694 | 61.02       | 1.24  | 28          | 11874 | 52.91       | 1.42  | 31          | 10564 | 47.07       | 1.60  | 36          | 9105  | 40.57       | 1.86  | 45          | 7399  | 32.97       | 2.3   | 53          | 6275  | 27.96       | 2.7   | 54          | 7525  | 27.57       | 0.98  | 59          | 6862  | 25.14       | 1.07  | 68          | 5939  | 21.76       | 1.24  | 77          | 5241  | 19.2        | 1.41  | 89          | 4525  | 16.58       | 1.63  | 101         | 4004  | 14.67       | 1.80  | 120         | 3365  | 12.33       | 2.0   | 149         | 2719  | 9.96        | 2.2   | 153         | 2634  | 9.65        | 1.8   | 177         | 2276  | 8.34        | 2.0   | 201         | 2012  | 7.37        | 2.1   | 239         | 1692  | 6.20        | 2.6   | <b>45kW</b> |       |             |       |             |       | <b>55kW</b> |       |             |       |             |       | 27          | 12509 | 55.74       | 0.90  | F 127       | 4     | 24          | 20357 | 61.02       | 0.83  | F 157       | 4     | 15          | 22261 | 49.16       | 0.51  | 35          | 9534  | 42.48       | 1.18  | 39          | 8432  | 37.57       | 1.34  | 47          | 7087  | 31.58       | 1.59  | 58          | 5723  | 25.50       | 1.97  | 55          | 6077  | 26.92       | 1.31  | 60          | 5557  | 24.97       | 1.44  | 69          | 4836  | 21.55       | 2.3   | 78          | 4266  | 19.01       | 2.4   | 90          | 3699  | 16.48       | 2.8   | 101   | 3292  | 14.67       | 3.1   | 117   | 2837  | 12.64 | 3.3   | 144   | 2305  | 10.27 | 3.9   | 169   | 1966  | 8.76  | 3.3   | 190   | 1748  | 7.79  | 3.2   | 24    | 20357 | 61.02 | 0.83  | 28    | 17651 | 52.91 | 0.96  | 31    | 15703 | 47.07 | 1.08  | 36          | 13534 | 40.57 | 1.25 | 45          | 10999 | 32.97       | 1.54 | 53          | 9328  | 27.96       | 1.81  | 58          | 8484  | 25.43       | 1.66 | 67          | 7393  | 22.16       | 2.3   | 75          | 6595  | 19.77       | 2.4   | 88          | 5621  | 16.85       | 3.0   | <b>45kW</b> |       |             |       |             |       | <b>55kW</b> |       |             |       |             |       | 54          | 6156  | 27.43       | 1.20  | F 107       | 4     | 39          | 12534 | 37.57       | 0.90  | F 127       | 4     | 58          | 5680  | 25.31       | 1.30  | 68    | 4883  | 21.76       | 1.51  | 77          | 4309  | 19.20       | 1.7   | 89    | 3721  | 16.58       | 2.0   | 101         | 3292  | 14.67       | 2.2   | 120   | 2767  | 12.33       | 2.4   | 149         | 2235  | 9.96  | 2.7   | 153   | 2166  | 9.65        | 2.1   | 177         | 1872  | 8.34  | 2.4   | 201         | 1654  | 7.37        | 2.6  | 239   | 1391  | 6.20        | 3.1   | 47          | 10535 | 31.58 | 1.07 | 58          | 8507  | 25.5        | 1.33  | 69          | 7189  | 21.55       | 1.57  | 78          | 6342  | 19.01       | 1.63  | 90          | 5498  | 16.48       | 1.88  | 101         | 4894  | 14.67       | 2.1   | 117         | 4217  | 12.64       | 2.2   | 144         | 3426  | 10.27       | 2.6   | 169   | 2922  | 8.76        | 2.3   | 190   | 2599  | 7.79  | 2.2   | 220   | 2242  | 6.72  | 2.9   | 271   | 1821  | 5.46  | 3.1   | 320   | 1545  | 4.63  | 3.7  | <b>45kW</b> |       |       |       |             |       | <b>75kW</b> |       |             |       |             |       | 21          | 18874 | 69.15       | 0.90  | F 157 | 4     | 31          | 21413 | 47.07 | 0.79  | F 157 | 4     | 24          | 16655 | 61.02       | 1.02  | 28          | 14442 | 52.91       | 1.17 | 31          | 12848 | 47.07       | 1.32 | 36          | 11074 | 40.57       | 1.53  | 45          | 8999  | 32.97       | 1.88  | 53          | 7632  | 27.96       | 2.2   | 36          | 18456 | 40.57       | 0.92  | 45          | 14999 | 32.97       | 1.13  | 53          | 12719 | 27.96       | 1.33  | 58          | 11569 | 25.43       | 1.22  | 67          | 10081 | 22.16       | 1.68  | 75          | 8994  | 19.77       | 1.78  | 88          | 7665  | 16.85 | 2.2   | 106         | 6351  | 13.96       | 2.5   | 124         | 5423  | 11.92 | 2.8   | 58          | 11600 | 25.50       | 0.97  | 69    | 9803  | 21.55 | 1.2   | 78          | 8648  | 19.01 | 1.2  | 90    | 7497  | 16.48       | 1.4   | 101         | 6674  | 14.67 | 1.5   | 117         | 5750  | 12.64 | 1.6   | 144         | 4672  | 10.27 | 1.9   | 169         | 3985  | 8.76  | 1.7   | 190   | 3544  | 7.79        | 1.6   | 220         | 3057  | 6.72  | 2.2   | 271   | 2484  | 5.46        | 2.3   | 320         | 2106  | 4.63  | 2.7   | <b>45kW</b> |       |             |       |             |       | <b>75kW</b> |       |             |       |             |      | 30    | 13426 | 49.19       | 0.84  | F 127 | 4     | 58    | 11600 | 25.50       | 0.97  | F 127 | 4     | 35          | 11595 | 42.48 | 0.97 | 39    | 10255 | 37.57       | 1.10  | 47    | 8620  | 31.58 | 1.31  | 58          | 6960  | 25.50 | 1.62  | 55    | 7391 | 26.92 | 1.08  | 60          | 6758  | 24.97       | 1.18  | 69    | 5882 | 21.55 | 1.92  | 78          | 5189  | 19.01 | 2.0   | 90    | 4498  | 16.48       | 2.3   | 101   | 4004 | 14.67 | 2.6   | 117   | 3450 | 12.64       | 2.7   | 144   | 2803 | 10.27 | 3.2  | 169   | 2391  | 8.76  | 2.8  | 190   | 2126  | 7.79        | 2.7   | 220   | 1834 | 6.72  | 3.6  | 271         | 1490  | 5.46  | 3.8  |             |       |             |       |             |      |       |      |             |       |             |      |       |      |       |       |       |       |             |       |       |      |       |       |       |       |             |       |       |      |             |       |       |      |             |       |             |      |       |       |       |       |             |       |       |      |       |       |       |      |             |       |       |       |       |      |       |       |       |       |       |       |       |       |       |      |       |      |       |       |       |       |       |       |       |       |       |      |       |      |       |      |       |      |       |      |       |      |       |      |       |      |       |      |       |      |       |      |       |      |       |      |       |      |       |      |       |      |       |      |       |      |       |      |       |      |       |      |      |      |      |      |      |      |      |      |      |      |
| 21            | 15519      | 69.15    | 1.09                   |             |         | 24            | 13694      | 61.02       | 1.24                   |             |         | 28          | 11874 | 52.91       | 1.42  | 31          | 10564 | 47.07       | 1.60  | 36          | 9105  | 40.57       | 1.86  | 45          | 7399  | 32.97       | 2.3   | 53          | 6275  | 27.96       | 2.7   | 54          | 7525  | 27.57       | 0.98  | 59          | 6862  | 25.14       | 1.07  | 68          | 5939  | 21.76       | 1.24  | 77          | 5241  | 19.2        | 1.41  | 89          | 4525  | 16.58       | 1.63  | 101         | 4004  | 14.67       | 1.80  | 120         | 3365  | 12.33       | 2.0   | 149         | 2719  | 9.96        | 2.2   | 153         | 2634  | 9.65        | 1.8   | 177         | 2276  | 8.34        | 2.0   | 201         | 2012  | 7.37        | 2.1   | 239         | 1692  | 6.20        | 2.6   | <b>45kW</b> |       |             |       |             |       | <b>55kW</b> |       |             |       |             |       | 27          | 12509 | 55.74       | 0.90  | F 127       | 4     | 24          | 20357 |             |       | 61.02       | 0.83  | F 157       | 4     |             |       | 15          | 22261 | 49.16       | 0.51  | 35          | 9534  | 42.48       | 1.18  | 39          | 8432  | 37.57       | 1.34  | 47          | 7087  | 31.58       | 1.59  | 58          | 5723  | 25.50       | 1.97  | 55          | 6077  | 26.92       | 1.31  | 60          | 5557  | 24.97       | 1.44  | 69          | 4836  | 21.55       | 2.3   | 78          | 4266  | 19.01       | 2.4   | 90          | 3699  | 16.48       | 2.8   | 101   | 3292  | 14.67       | 3.1   | 117   | 2837  | 12.64 | 3.3   | 144   | 2305  | 10.27 | 3.9   | 169   | 1966  | 8.76  | 3.3   | 190   | 1748  | 7.79  | 3.2   | 24    | 20357 | 61.02 | 0.83  | 28    | 17651 | 52.91 | 0.96  | 31    | 15703 | 47.07 | 1.08  | 36          | 13534 | 40.57 | 1.25 | 45          | 10999 | 32.97       | 1.54 | 53          | 9328  | 27.96       | 1.81  | 58          | 8484  | 25.43       | 1.66 | 67          | 7393  | 22.16       | 2.3   | 75          | 6595  | 19.77       | 2.4   | 88          | 5621  | 16.85       | 3.0   | <b>45kW</b> |       |             |       |             |       | <b>55kW</b> |       |             |       |             |       | 54          | 6156  | 27.43       | 1.20  |             |       | F 107       | 4     | 39          | 12534 |             |       | 37.57       | 0.90  | F 127       | 4     | 58    | 5680  | 25.31       | 1.30  | 68          | 4883  | 21.76       | 1.51  | 77    | 4309  | 19.20       | 1.7   | 89          | 3721  | 16.58       | 2.0   | 101   | 3292  | 14.67       | 2.2   | 120         | 2767  | 12.33 | 2.4   | 149   | 2235  | 9.96        | 2.7   | 153         | 2166  | 9.65  | 2.1   | 177         | 1872  | 8.34        | 2.4  | 201   | 1654  | 7.37        | 2.6   | 239         | 1391  | 6.20  | 3.1  | 47          | 10535 | 31.58       | 1.07  | 58          | 8507  | 25.5        | 1.33  | 69          | 7189  | 21.55       | 1.57  | 78          | 6342  | 19.01       | 1.63  | 90          | 5498  | 16.48       | 1.88  | 101         | 4894  | 14.67       | 2.1   | 117         | 4217  | 12.64       | 2.2   | 144   | 3426  | 10.27       | 2.6   | 169   | 2922  | 8.76  | 2.3   | 190   | 2599  | 7.79  | 2.2   | 220   | 2242  | 6.72  | 2.9   | 271   | 1821  | 5.46  | 3.1  | 320         | 1545  | 4.63  | 3.7   | <b>45kW</b> |       |             |       |             |       | <b>75kW</b> |       |             |       |             |       |       |       | 21          | 18874 | 69.15 | 0.90  |       |       | F 157       | 4     | 31          | 21413 | 47.07       | 0.79  | F 157       | 4    | 24          | 16655 | 61.02       | 1.02 | 28          | 14442 | 52.91       | 1.17  | 31          | 12848 | 47.07       | 1.32  | 36          | 11074 | 40.57       | 1.53  | 45          | 8999  | 32.97       | 1.88  | 53          | 7632  | 27.96       | 2.2   | 36          | 18456 | 40.57       | 0.92  | 45          | 14999 | 32.97       | 1.13  | 53          | 12719 | 27.96       | 1.33  | 58          | 11569 | 25.43       | 1.22  | 67          | 10081 | 22.16 | 1.68  | 75          | 8994  | 19.77       | 1.78  | 88          | 7665  | 16.85 | 2.2   | 106         | 6351  | 13.96       | 2.5   | 124   | 5423  | 11.92 | 2.8   | 58          | 11600 | 25.50 | 0.97 | 69    | 9803  | 21.55       | 1.2   | 78          | 8648  | 19.01 | 1.2   | 90          | 7497  | 16.48 | 1.4   | 101         | 6674  | 14.67 | 1.5   | 117         | 5750  | 12.64 | 1.6   | 144   | 4672  | 10.27       | 1.9   | 169         | 3985  | 8.76  | 1.7   | 190   | 3544  | 7.79        | 1.6   | 220         | 3057  | 6.72  | 2.2   | 271         | 2484  | 5.46        | 2.3   | 320         | 2106  | 4.63        | 2.7   | <b>45kW</b> |       |             |      |       |       | <b>75kW</b> |       |       |       |       |       | 30          | 13426 |       |       | 49.19       | 0.84  | F 127 | 4    | 58    | 11600 | 25.50       | 0.97  | F 127 | 4     | 35    | 11595 | 42.48       | 0.97  | 39    | 10255 | 37.57 | 1.10 | 47    | 8620  | 31.58       | 1.31  | 58          | 6960  | 25.50 | 1.62 | 55    | 7391  | 26.92       | 1.08  | 60    | 6758  | 24.97 | 1.18  | 69          | 5882  | 21.55 | 1.92 | 78    | 5189  | 19.01 | 2.0  | 90          | 4498  | 16.48 | 2.3  | 101   | 4004 | 14.67 | 2.6   | 117   | 3450 | 12.64 | 2.7   | 144         | 2803  | 10.27 | 3.2  | 169   | 2391 | 8.76        | 2.8   | 190   | 2126 | 7.79        | 2.7   | 220         | 1834  | 6.72        | 3.6  | 271   | 1490 | 5.46        | 3.8   |             |      |       |      |       |       |       |       |             |       |       |      |       |       |       |       |             |       |       |      |             |       |       |      |             |       |             |      |       |       |       |       |             |       |       |      |       |       |       |      |             |       |       |       |       |      |       |       |       |       |       |       |       |       |       |      |       |      |       |       |       |       |       |       |       |       |       |      |       |      |       |      |       |      |       |      |       |      |       |      |       |      |       |      |       |      |       |      |       |      |       |      |       |      |       |      |       |      |       |      |       |      |       |      |       |      |       |      |      |      |      |      |      |      |      |      |      |      |
| 24            | 13694      | 61.02    | 1.24                   |             |         | 28            | 11874      | 52.91       | 1.42                   |             |         | 31          | 10564 | 47.07       | 1.60  | 36          | 9105  | 40.57       | 1.86  | 45          | 7399  | 32.97       | 2.3   | 53          | 6275  | 27.96       | 2.7   | 54          | 7525  | 27.57       | 0.98  | 59          | 6862  | 25.14       | 1.07  | 68          | 5939  | 21.76       | 1.24  | 77          | 5241  | 19.2        | 1.41  | 89          | 4525  | 16.58       | 1.63  | 101         | 4004  | 14.67       | 1.80  | 120         | 3365  | 12.33       | 2.0   | 149         | 2719  | 9.96        | 2.2   | 153         | 2634  | 9.65        | 1.8   | 177         | 2276  | 8.34        | 2.0   | 201         | 2012  | 7.37        | 2.1   | 239         | 1692  | 6.20        | 2.6   | <b>45kW</b> |       |             |       |             |       | <b>55kW</b> |       |             |       |             |       | 27          | 12509 | 55.74       | 0.90  | F 127       | 4     | 24          | 20357 |             |       | 61.02       | 0.83  |             |       | F 157       | 4     |             |       |             |       | 15          | 22261 | 49.16       | 0.51  | 35          | 9534  | 42.48       | 1.18  | 39          | 8432  | 37.57       | 1.34  | 47          | 7087  | 31.58       | 1.59  | 58          | 5723  | 25.50       | 1.97  | 55          | 6077  | 26.92       | 1.31  | 60          | 5557  | 24.97       | 1.44  | 69          | 4836  | 21.55       | 2.3   | 78          | 4266  | 19.01       | 2.4   | 90          | 3699  | 16.48       | 2.8   | 101   | 3292  | 14.67       | 3.1   | 117   | 2837  | 12.64 | 3.3   | 144   | 2305  | 10.27 | 3.9   | 169   | 1966  | 8.76  | 3.3   | 190   | 1748  | 7.79  | 3.2   | 24    | 20357 | 61.02 | 0.83  | 28    | 17651 | 52.91 | 0.96  | 31    | 15703 | 47.07 | 1.08  | 36          | 13534 | 40.57 | 1.25 | 45          | 10999 | 32.97       | 1.54 | 53          | 9328  | 27.96       | 1.81  | 58          | 8484  | 25.43       | 1.66 | 67          | 7393  | 22.16       | 2.3   | 75          | 6595  | 19.77       | 2.4   | 88          | 5621  | 16.85       | 3.0   | <b>45kW</b> |       |             |       |             |       | <b>55kW</b> |       |             |       |             |       | 54          | 6156  | 27.43       | 1.20  |             |       |             |       | F 107       | 4     |             |       | 39          | 12534 |             |       | 37.57 | 0.90  | F 127       | 4     | 58          | 5680  | 25.31       | 1.30  | 68    | 4883  | 21.76       | 1.51  | 77          | 4309  | 19.20       | 1.7   | 89    | 3721  | 16.58       | 2.0   | 101         | 3292  | 14.67 | 2.2   | 120   | 2767  | 12.33       | 2.4   | 149         | 2235  | 9.96  | 2.7   | 153         | 2166  | 9.65        | 2.1  | 177   | 1872  | 8.34        | 2.4   | 201         | 1654  | 7.37  | 2.6  | 239         | 1391  | 6.20        | 3.1   | 47          | 10535 | 31.58       | 1.07  | 58          | 8507  | 25.5        | 1.33  | 69          | 7189  | 21.55       | 1.57  | 78          | 6342  | 19.01       | 1.63  | 90          | 5498  | 16.48       | 1.88  | 101         | 4894  | 14.67       | 2.1   | 117   | 4217  | 12.64       | 2.2   | 144   | 3426  | 10.27 | 2.6   | 169   | 2922  | 8.76  | 2.3   | 190   | 2599  | 7.79  | 2.2   | 220   | 2242  | 6.72  | 2.9  | 271         | 1821  | 5.46  | 3.1   | 320         | 1545  | 4.63        | 3.7   | <b>45kW</b> |       |             |       |             |       | <b>75kW</b> |       |       |       |             |       | 21    | 18874 |       |       |             |       | 69.15       | 0.90  | F 157       | 4     |             |      | 31          | 21413 | 47.07       | 0.79 | F 157       | 4     | 24          | 16655 | 61.02       | 1.02  | 28          | 14442 | 52.91       | 1.17  | 31          | 12848 | 47.07       | 1.32  | 36          | 11074 | 40.57       | 1.53  | 45          | 8999  | 32.97       | 1.88  | 53          | 7632  | 27.96       | 2.2   | 36          | 18456 | 40.57       | 0.92  | 45          | 14999 | 32.97       | 1.13  | 53          | 12719 | 27.96       | 1.33  | 58    | 11569 | 25.43       | 1.22  | 67          | 10081 | 22.16       | 1.68  | 75    | 8994  | 19.77       | 1.78  | 88          | 7665  | 16.85 | 2.2   | 106   | 6351  | 13.96       | 2.5   | 124   | 5423 | 11.92 | 2.8   | 58          | 11600 | 25.50       | 0.97  | 69    | 9803  | 21.55       | 1.2   | 78    | 8648  | 19.01       | 1.2   | 90    | 7497  | 16.48       | 1.4   | 101   | 6674  | 14.67 | 1.5   | 117         | 5750  | 12.64       | 1.6   | 144   | 4672  | 10.27 | 1.9   | 169         | 3985  | 8.76        | 1.7   | 190   | 3544  | 7.79        | 1.6   | 220         | 3057  | 6.72        | 2.2   | 271         | 2484  | 5.46        | 2.3   | 320         | 2106 | 4.63  | 2.7   | <b>45kW</b> |       |       |       |       |       | <b>75kW</b> |       |       |       |             |       |       |      | 30    | 13426 | 49.19       | 0.84  |       |       | F 127 | 4     | 58          | 11600 | 25.50 | 0.97  | F 127 | 4    | 35    | 11595 | 42.48       | 0.97  | 39          | 10255 | 37.57 | 1.10 | 47    | 8620  | 31.58       | 1.31  | 58    | 6960  | 25.50 | 1.62  | 55          | 7391  | 26.92 | 1.08 | 60    | 6758  | 24.97 | 1.18 | 69          | 5882  | 21.55 | 1.92 | 78    | 5189 | 19.01 | 2.0   | 90    | 4498 | 16.48 | 2.3   | 101         | 4004  | 14.67 | 2.6  | 117   | 3450 | 12.64       | 2.7   | 144   | 2803 | 10.27       | 3.2   | 169         | 2391  | 8.76        | 2.8  | 190   | 2126 | 7.79        | 2.7   | 220         | 1834 | 6.72  | 3.6  | 271   | 1490  | 5.46  | 3.8   |             |       |       |      |       |       |       |       |             |       |       |      |             |       |       |      |             |       |             |      |       |       |       |       |             |       |       |      |       |       |       |      |             |       |       |       |       |      |       |       |       |       |       |       |       |       |       |      |       |      |       |       |       |       |       |       |       |       |       |      |       |      |       |      |       |      |       |      |       |      |       |      |       |      |       |      |       |      |       |      |       |      |       |      |       |      |       |      |       |      |       |      |       |      |       |      |       |      |       |      |      |      |      |      |      |      |      |      |      |      |
| 28            | 11874      | 52.91    | 1.42                   |             |         | 31            | 10564      | 47.07       | 1.60                   |             |         | 36          | 9105  | 40.57       | 1.86  | 45          | 7399  | 32.97       | 2.3   | 53          | 6275  | 27.96       | 2.7   | 54          | 7525  | 27.57       | 0.98  | 59          | 6862  | 25.14       | 1.07  | 68          | 5939  | 21.76       | 1.24  | 77          | 5241  | 19.2        | 1.41  | 89          | 4525  | 16.58       | 1.63  | 101         | 4004  | 14.67       | 1.80  | 120         | 3365  | 12.33       | 2.0   | 149         | 2719  | 9.96        | 2.2   | 153         | 2634  | 9.65        | 1.8   | 177         | 2276  | 8.34        | 2.0   | 201         | 2012  | 7.37        | 2.1   | 239         | 1692  | 6.20        | 2.6   | <b>45kW</b> |       |             |       |             |       | <b>55kW</b> |       |             |       |             |       | 27          | 12509 | 55.74       | 0.90  | F 127       | 4     | 24          | 20357 |             |       | 61.02       | 0.83  |             |       | F 157       | 4     |             |       |             |       |             |       |             |       | 15          | 22261 | 49.16       | 0.51  | 35          | 9534  | 42.48       | 1.18  | 39          | 8432  | 37.57       | 1.34  | 47          | 7087  | 31.58       | 1.59  | 58          | 5723  | 25.50       | 1.97  | 55          | 6077  | 26.92       | 1.31  | 60          | 5557  | 24.97       | 1.44  | 69          | 4836  | 21.55       | 2.3   | 78          | 4266  | 19.01       | 2.4   | 90          | 3699  | 16.48       | 2.8   | 101   | 3292  | 14.67       | 3.1   | 117   | 2837  | 12.64 | 3.3   | 144   | 2305  | 10.27 | 3.9   | 169   | 1966  | 8.76  | 3.3   | 190   | 1748  | 7.79  | 3.2   | 24    | 20357 | 61.02 | 0.83  | 28    | 17651 | 52.91 | 0.96  | 31    | 15703 | 47.07 | 1.08  | 36          | 13534 | 40.57 | 1.25 | 45          | 10999 | 32.97       | 1.54 | 53          | 9328  | 27.96       | 1.81  | 58          | 8484  | 25.43       | 1.66 | 67          | 7393  | 22.16       | 2.3   | 75          | 6595  | 19.77       | 2.4   | 88          | 5621  | 16.85       | 3.0   | <b>45kW</b> |       |             |       |             |       | <b>55kW</b> |       |             |       |             |       | 54          | 6156  | 27.43       | 1.20  |             |       |             |       |             |       |             |       | F 107       | 4     |             |       | 39    | 12534 |             |       | 37.57       | 0.90  | F 127       | 4     | 58    | 5680  | 25.31       | 1.30  | 68          | 4883  | 21.76       | 1.51  | 77    | 4309  | 19.20       | 1.7   | 89          | 3721  | 16.58 | 2.0   | 101   | 3292  | 14.67       | 2.2   | 120         | 2767  | 12.33 | 2.4   | 149         | 2235  | 9.96        | 2.7  | 153   | 2166  | 9.65        | 2.1   | 177         | 1872  | 8.34  | 2.4  | 201         | 1654  | 7.37        | 2.6   | 239         | 1391  | 6.20        | 3.1   | 47          | 10535 | 31.58       | 1.07  | 58          | 8507  | 25.5        | 1.33  | 69          | 7189  | 21.55       | 1.57  | 78          | 6342  | 19.01       | 1.63  | 90          | 5498  | 16.48       | 1.88  | 101   | 4894  | 14.67       | 2.1   | 117   | 4217  | 12.64 | 2.2   | 144   | 3426  | 10.27 | 2.6   | 169   | 2922  | 8.76  | 2.3   | 190   | 2599  | 7.79  | 2.2  | 220         | 2242  | 6.72  | 2.9   | 271         | 1821  | 5.46        | 3.1   | 320         | 1545  | 4.63        | 3.7   | <b>45kW</b> |       |             |       |       |       | <b>75kW</b> |       |       |       |       |       |             |       | 21          | 18874 |             |       |             |      | 69.15       | 0.90  | F 157       | 4    |             |       | 31          | 21413 | 47.07       | 0.79  | F 157       | 4     | 24          | 16655 | 61.02       | 1.02  | 28          | 14442 | 52.91       | 1.17  | 31          | 12848 | 47.07       | 1.32  | 36          | 11074 | 40.57       | 1.53  | 45          | 8999  | 32.97       | 1.88  | 53          | 7632  | 27.96       | 2.2   | 36          | 18456 | 40.57       | 0.92  | 45          | 14999 | 32.97 | 1.13  | 53          | 12719 | 27.96       | 1.33  | 58          | 11569 | 25.43 | 1.22  | 67          | 10081 | 22.16       | 1.68  | 75    | 8994  | 19.77 | 1.78  | 88          | 7665  | 16.85 | 2.2  | 106   | 6351  | 13.96       | 2.5   | 124         | 5423  | 11.92 | 2.8   | 58          | 11600 | 25.50 | 0.97  | 69          | 9803  | 21.55 | 1.2   | 78          | 8648  | 19.01 | 1.2   | 90    | 7497  | 16.48       | 1.4   | 101         | 6674  | 14.67 | 1.5   | 117   | 5750  | 12.64       | 1.6   | 144         | 4672  | 10.27 | 1.9   | 169         | 3985  | 8.76        | 1.7   | 190         | 3544  | 7.79        | 1.6   | 220         | 3057  | 6.72        | 2.2  | 271   | 2484  | 5.46        | 2.3   |       |       | 320   | 2106  | 4.63        | 2.7   |       |       | <b>45kW</b> |       |       |      |       |       | <b>75kW</b> |       |       |       |       |       | 30          | 13426 | 49.19 | 0.84  |       |      | F 127 | 4     | 58          | 11600 | 25.50       | 0.97  | F 127 | 4    | 35    | 11595 | 42.48       | 0.97  | 39    | 10255 | 37.57 | 1.10  | 47          | 8620  | 31.58 | 1.31 | 58    | 6960  | 25.50 | 1.62 | 55          | 7391  | 26.92 | 1.08 | 60    | 6758 | 24.97 | 1.18  | 69    | 5882 | 21.55 | 1.92  | 78          | 5189  | 19.01 | 2.0  | 90    | 4498 | 16.48       | 2.3   | 101   | 4004 | 14.67       | 2.6   | 117         | 3450  | 12.64       | 2.7  | 144   | 2803 | 10.27       | 3.2   | 169         | 2391 | 8.76  | 2.8  | 190   | 2126  | 7.79  | 2.7   | 220         | 1834  | 6.72  | 3.6  | 271   | 1490  | 5.46  | 3.8   |             |       |       |      |             |       |       |      |             |       |             |      |       |       |       |       |             |       |       |      |       |       |       |      |             |       |       |       |       |      |       |       |       |       |       |       |       |       |       |      |       |      |       |       |       |       |       |       |       |       |       |      |       |      |       |      |       |      |       |      |       |      |       |      |       |      |       |      |       |      |       |      |       |      |       |      |       |      |       |      |       |      |       |      |       |      |       |      |       |      |       |      |      |      |      |      |      |      |      |      |      |      |
| 31            | 10564      | 47.07    | 1.60                   |             |         | 36            | 9105       | 40.57       | 1.86                   |             |         | 45          | 7399  | 32.97       | 2.3   | 53          | 6275  | 27.96       | 2.7   | 54          | 7525  | 27.57       | 0.98  | 59          | 6862  | 25.14       | 1.07  | 68          | 5939  | 21.76       | 1.24  | 77          | 5241  | 19.2        | 1.41  | 89          | 4525  | 16.58       | 1.63  | 101         | 4004  | 14.67       | 1.80  | 120         | 3365  | 12.33       | 2.0   | 149         | 2719  | 9.96        | 2.2   | 153         | 2634  | 9.65        | 1.8   | 177         | 2276  | 8.34        | 2.0   | 201         | 2012  | 7.37        | 2.1   | 239         | 1692  | 6.20        | 2.6   | <b>45kW</b> |       |             |       |             |       | <b>55kW</b> |       |             |       |             |       | 27          | 12509 | 55.74       | 0.90  | F 127       | 4     | 24          | 20357 |             |       | 61.02       | 0.83  |             |       | F 157       | 4     |             |       |             |       |             |       |             |       |             |       |             |       | 15          | 22261 | 49.16       | 0.51  | 35          | 9534  | 42.48       | 1.18  | 39          | 8432  | 37.57       | 1.34  | 47          | 7087  | 31.58       | 1.59  | 58          | 5723  | 25.50       | 1.97  | 55          | 6077  | 26.92       | 1.31  | 60          | 5557  | 24.97       | 1.44  | 69          | 4836  | 21.55       | 2.3   | 78          | 4266  | 19.01       | 2.4   | 90          | 3699  | 16.48       | 2.8   | 101   | 3292  | 14.67       | 3.1   | 117   | 2837  | 12.64 | 3.3   | 144   | 2305  | 10.27 | 3.9   | 169   | 1966  | 8.76  | 3.3   | 190   | 1748  | 7.79  | 3.2   | 24    | 20357 | 61.02 | 0.83  | 28    | 17651 | 52.91 | 0.96  | 31    | 15703 | 47.07 | 1.08  | 36          | 13534 | 40.57 | 1.25 | 45          | 10999 | 32.97       | 1.54 | 53          | 9328  | 27.96       | 1.81  | 58          | 8484  | 25.43       | 1.66 | 67          | 7393  | 22.16       | 2.3   | 75          | 6595  | 19.77       | 2.4   | 88          | 5621  | 16.85       | 3.0   | <b>45kW</b> |       |             |       |             |       | <b>55kW</b> |       |             |       |             |       | 54          | 6156  | 27.43       | 1.20  |             |       |             |       |             |       |             |       |             |       |             |       | F 107 | 4     |             |       | 39          | 12534 |             |       | 37.57 | 0.90  | F 127       | 4     | 58          | 5680  | 25.31       | 1.30  | 68    | 4883  | 21.76       | 1.51  | 77          | 4309  | 19.20 | 1.7   | 89    | 3721  | 16.58       | 2.0   | 101         | 3292  | 14.67 | 2.2   | 120         | 2767  | 12.33       | 2.4  | 149   | 2235  | 9.96        | 2.7   | 153         | 2166  | 9.65  | 2.1  | 177         | 1872  | 8.34        | 2.4   | 201         | 1654  | 7.37        | 2.6   | 239         | 1391  | 6.20        | 3.1   | 47          | 10535 | 31.58       | 1.07  | 58          | 8507  | 25.5        | 1.33  | 69          | 7189  | 21.55       | 1.57  | 78          | 6342  | 19.01       | 1.63  | 90    | 5498  | 16.48       | 1.88  | 101   | 4894  | 14.67 | 2.1   | 117   | 4217  | 12.64 | 2.2   | 144   | 3426  | 10.27 | 2.6   | 169   | 2922  | 8.76  | 2.3  | 190         | 2599  | 7.79  | 2.2   | 220         | 2242  | 6.72        | 2.9   | 271         | 1821  | 5.46        | 3.1   | 320         | 1545  | 4.63        | 3.7   |       |       | <b>45kW</b> |       |       |       |       |       |             |       | <b>75kW</b> |       |             |       |             |      | 21          | 18874 |             |      |             |       | 69.15       | 0.90  | F 157       | 4     |             |       | 31          | 21413 | 47.07       | 0.79  | F 157       | 4     | 24          | 16655 | 61.02       | 1.02  | 28          | 14442 | 52.91       | 1.17  | 31          | 12848 | 47.07       | 1.32  | 36          | 11074 | 40.57       | 1.53  | 45          | 8999  | 32.97       | 1.88  | 53          | 7632  | 27.96       | 2.2   | 36    | 18456 | 40.57       | 0.92  | 45          | 14999 | 32.97       | 1.13  | 53    | 12719 | 27.96       | 1.33  | 58          | 11569 | 25.43 | 1.22  | 67    | 10081 | 22.16       | 1.68  | 75    | 8994 | 19.77 | 1.78  | 88          | 7665  | 16.85       | 2.2   | 106   | 6351  | 13.96       | 2.5   | 124   | 5423  | 11.92       | 2.8   | 58    | 11600 | 25.50       | 0.97  | 69    | 9803  | 21.55 | 1.2   | 78          | 8648  | 19.01       | 1.2   | 90    | 7497  | 16.48 | 1.4   | 101         | 6674  | 14.67       | 1.5   | 117   | 5750  | 12.64       | 1.6   | 144         | 4672  | 10.27       | 1.9   | 169         | 3985  | 8.76        | 1.7   | 190         | 3544 | 7.79  | 1.6   | 220         | 3057  |       |       | 6.72  | 2.2   | 271         | 2484  |       |       | 5.46        | 2.3   |       |      | 320   | 2106  | 4.63        | 2.7   |       |       |       |       | <b>45kW</b> |       |       |       |       |      |       |       | <b>75kW</b> |       |             |       |       |      | 30    | 13426 | 49.19       | 0.84  | F 127 | 4     | 58    | 11600 | 25.50       | 0.97  | F 127 | 4    | 35    | 11595 | 42.48 | 0.97 | 39          | 10255 | 37.57 | 1.10 | 47    | 8620 | 31.58 | 1.31  | 58    | 6960 | 25.50 | 1.62  | 55          | 7391  | 26.92 | 1.08 | 60    | 6758 | 24.97       | 1.18  | 69    | 5882 | 21.55       | 1.92  | 78          | 5189  | 19.01       | 2.0  | 90    | 4498 | 16.48       | 2.3   | 101         | 4004 | 14.67 | 2.6  | 117   | 3450  | 12.64 | 2.7   | 144         | 2803  | 10.27 | 3.2  | 169   | 2391  | 8.76  | 2.8   | 190         | 2126  | 7.79  | 2.7  | 220         | 1834  | 6.72  | 3.6  | 271         | 1490  | 5.46        | 3.8  |       |       |       |       |             |       |       |      |       |       |       |      |             |       |       |       |       |      |       |       |       |       |       |       |       |       |       |      |       |      |       |       |       |       |       |       |       |       |       |      |       |      |       |      |       |      |       |      |       |      |       |      |       |      |       |      |       |      |       |      |       |      |       |      |       |      |       |      |       |      |       |      |       |      |       |      |       |      |       |      |      |      |      |      |      |      |      |      |      |      |
| 36            | 9105       | 40.57    | 1.86                   |             |         | 45            | 7399       | 32.97       | 2.3                    |             |         | 53          | 6275  | 27.96       | 2.7   | 54          | 7525  | 27.57       | 0.98  | 59          | 6862  | 25.14       | 1.07  | 68          | 5939  | 21.76       | 1.24  | 77          | 5241  | 19.2        | 1.41  | 89          | 4525  | 16.58       | 1.63  | 101         | 4004  | 14.67       | 1.80  | 120         | 3365  | 12.33       | 2.0   | 149         | 2719  | 9.96        | 2.2   | 153         | 2634  | 9.65        | 1.8   | 177         | 2276  | 8.34        | 2.0   | 201         | 2012  | 7.37        | 2.1   | 239         | 1692  | 6.20        | 2.6   | <b>45kW</b> |       |             |       |             |       | <b>55kW</b> |       |             |       |             |       | 27          | 12509 | 55.74       | 0.90  | F 127       | 4     | 24          | 20357 |             |       | 61.02       | 0.83  |             |       | F 157       | 4     |             |       |             |       |             |       |             |       |             |       |             |       |             |       |             |       | 15          | 22261 | 49.16       | 0.51  | 35          | 9534  | 42.48       | 1.18  | 39          | 8432  | 37.57       | 1.34  | 47          | 7087  | 31.58       | 1.59  | 58          | 5723  | 25.50       | 1.97  | 55          | 6077  | 26.92       | 1.31  | 60          | 5557  | 24.97       | 1.44  | 69          | 4836  | 21.55       | 2.3   | 78          | 4266  | 19.01       | 2.4   | 90          | 3699  | 16.48       | 2.8   | 101   | 3292  | 14.67       | 3.1   | 117   | 2837  | 12.64 | 3.3   | 144   | 2305  | 10.27 | 3.9   | 169   | 1966  | 8.76  | 3.3   | 190   | 1748  | 7.79  | 3.2   | 24    | 20357 | 61.02 | 0.83  | 28    | 17651 | 52.91 | 0.96  | 31    | 15703 | 47.07 | 1.08  | 36          | 13534 | 40.57 | 1.25 | 45          | 10999 | 32.97       | 1.54 | 53          | 9328  | 27.96       | 1.81  | 58          | 8484  | 25.43       | 1.66 | 67          | 7393  | 22.16       | 2.3   | 75          | 6595  | 19.77       | 2.4   | 88          | 5621  | 16.85       | 3.0   | <b>45kW</b> |       |             |       |             |       | <b>55kW</b> |       |             |       |             |       | 54          | 6156  | 27.43       | 1.20  |             |       |             |       |             |       |             |       |             |       |             |       |       |       |             |       | F 107       | 4     |             |       | 39    | 12534 |             |       | 37.57       | 0.90  | F 127       | 4     | 58    | 5680  | 25.31       | 1.30  | 68          | 4883  | 21.76 | 1.51  | 77    | 4309  | 19.20       | 1.7   | 89          | 3721  | 16.58 | 2.0   | 101         | 3292  | 14.67       | 2.2  | 120   | 2767  | 12.33       | 2.4   | 149         | 2235  | 9.96  | 2.7  | 153         | 2166  | 9.65        | 2.1   | 177         | 1872  | 8.34        | 2.4   | 201         | 1654  | 7.37        | 2.6   | 239         | 1391  | 6.20        | 3.1   | 47          | 10535 | 31.58       | 1.07  | 58          | 8507  | 25.5        | 1.33  | 69          | 7189  | 21.55       | 1.57  | 78    | 6342  | 19.01       | 1.63  | 90    | 5498  | 16.48 | 1.88  | 101   | 4894  | 14.67 | 2.1   | 117   | 4217  | 12.64 | 2.2   | 144   | 3426  | 10.27 | 2.6  | 169         | 2922  | 8.76  | 2.3   | 190         | 2599  | 7.79        | 2.2   | 220         | 2242  | 6.72        | 2.9   | 271         | 1821  | 5.46        | 3.1   |       |       | 320         | 1545  | 4.63  | 3.7   |       |       |             |       | <b>45kW</b> |       |             |       |             |      | <b>75kW</b> |       |             |      |             |       | 21          | 18874 |             |       |             |       | 69.15       | 0.90  | F 157       | 4     |             |       | 31          | 21413 | 47.07       | 0.79  | F 157       | 4     | 24          | 16655 | 61.02       | 1.02  | 28          | 14442 | 52.91       | 1.17  | 31          | 12848 | 47.07       | 1.32  | 36          | 11074 | 40.57       | 1.53  | 45          | 8999  | 32.97 | 1.88  | 53          | 7632  | 27.96       | 2.2   | 36          | 18456 | 40.57 | 0.92  | 45          | 14999 | 32.97       | 1.13  | 53    | 12719 | 27.96 | 1.33  | 58          | 11569 | 25.43 | 1.22 | 67    | 10081 | 22.16       | 1.68  | 75          | 8994  | 19.77 | 1.78  | 88          | 7665  | 16.85 | 2.2   | 106         | 6351  | 13.96 | 2.5   | 124         | 5423  | 11.92 | 2.8   | 58    | 11600 | 25.50       | 0.97  | 69          | 9803  | 21.55 | 1.2   | 78    | 8648  | 19.01       | 1.2   | 90          | 7497  | 16.48 | 1.4   | 101         | 6674  | 14.67       | 1.5   | 117         | 5750  | 12.64       | 1.6   | 144         | 4672  | 10.27       | 1.9  | 169   | 3985  | 8.76        | 1.7   |       |       | 190   | 3544  | 7.79        | 1.6   |       |       | 220         | 3057  |       |      | 6.72  | 2.2   | 271         | 2484  |       |       |       |       | 5.46        | 2.3   | 320   | 2106  |       |      |       |       | 4.63        | 2.7   | <b>45kW</b> |       |       |      |       |       | <b>75kW</b> |       |       |       |       |       | 30          | 13426 |       |      | 49.19 | 0.84  | F 127 | 4    | 58          | 11600 | 25.50 | 0.97 | F 127 | 4    | 35    | 11595 | 42.48 | 0.97 | 39    | 10255 | 37.57       | 1.10  | 47    | 8620 | 31.58 | 1.31 | 58          | 6960  | 25.50 | 1.62 | 55          | 7391  | 26.92       | 1.08  | 60          | 6758 | 24.97 | 1.18 | 69          | 5882  | 21.55       | 1.92 | 78    | 5189 | 19.01 | 2.0   | 90    | 4498  | 16.48       | 2.3   | 101   | 4004 | 14.67 | 2.6   | 117   | 3450  | 12.64       | 2.7   | 144   | 2803 | 10.27       | 3.2   | 169   | 2391 | 8.76        | 2.8   | 190         | 2126 | 7.79  | 2.7   | 220   | 1834  | 6.72        | 3.6   | 271   | 1490 | 5.46  | 3.8   |       |      |             |       |       |       |       |      |       |       |       |       |       |       |       |       |       |      |       |      |       |       |       |       |       |       |       |       |       |      |       |      |       |      |       |      |       |      |       |      |       |      |       |      |       |      |       |      |       |      |       |      |       |      |       |      |       |      |       |      |       |      |       |      |       |      |       |      |       |      |      |      |      |      |      |      |      |      |      |      |
| 45            | 7399       | 32.97    | 2.3                    |             |         | 53            | 6275       | 27.96       | 2.7                    |             |         | 54          | 7525  | 27.57       | 0.98  | 59          | 6862  | 25.14       | 1.07  | 68          | 5939  | 21.76       | 1.24  | 77          | 5241  | 19.2        | 1.41  | 89          | 4525  | 16.58       | 1.63  | 101         | 4004  | 14.67       | 1.80  | 120         | 3365  | 12.33       | 2.0   | 149         | 2719  | 9.96        | 2.2   | 153         | 2634  | 9.65        | 1.8   | 177         | 2276  | 8.34        | 2.0   | 201         | 2012  | 7.37        | 2.1   | 239         | 1692  | 6.20        | 2.6   | <b>45kW</b> |       |             |       |             |       | <b>55kW</b> |       |             |       |             |       | 27          | 12509 | 55.74       | 0.90  | F 127       | 4     | 24          | 20357 |             |       | 61.02       | 0.83  |             |       | F 157       | 4     |             |       |             |       |             |       |             |       |             |       |             |       |             |       |             |       |             |       |             |       | 15          | 22261 | 49.16       | 0.51  | 35          | 9534  | 42.48       | 1.18  | 39          | 8432  | 37.57       | 1.34  | 47          | 7087  | 31.58       | 1.59  | 58          | 5723  | 25.50       | 1.97  | 55          | 6077  | 26.92       | 1.31  | 60          | 5557  | 24.97       | 1.44  | 69          | 4836  | 21.55       | 2.3   | 78          | 4266  | 19.01       | 2.4   | 90          | 3699  | 16.48       | 2.8   | 101   | 3292  | 14.67       | 3.1   | 117   | 2837  | 12.64 | 3.3   | 144   | 2305  | 10.27 | 3.9   | 169   | 1966  | 8.76  | 3.3   | 190   | 1748  | 7.79  | 3.2   | 24    | 20357 | 61.02 | 0.83  | 28    | 17651 | 52.91 | 0.96  | 31    | 15703 | 47.07 | 1.08  | 36          | 13534 | 40.57 | 1.25 | 45          | 10999 | 32.97       | 1.54 | 53          | 9328  | 27.96       | 1.81  | 58          | 8484  | 25.43       | 1.66 | 67          | 7393  | 22.16       | 2.3   | 75          | 6595  | 19.77       | 2.4   | 88          | 5621  | 16.85       | 3.0   | <b>45kW</b> |       |             |       |             |       | <b>55kW</b> |       |             |       |             |       | 54          | 6156  | 27.43       | 1.20  |             |       |             |       |             |       |             |       |             |       |             |       |       |       |             |       |             |       |             |       | F 107 | 4     |             |       | 39          | 12534 |             |       | 37.57 | 0.90  | F 127       | 4     | 58          | 5680  | 25.31 | 1.30  | 68    | 4883  | 21.76       | 1.51  | 77          | 4309  | 19.20 | 1.7   | 89          | 3721  | 16.58       | 2.0  | 101   | 3292  | 14.67       | 2.2   | 120         | 2767  | 12.33 | 2.4  | 149         | 2235  | 9.96        | 2.7   | 153         | 2166  | 9.65        | 2.1   | 177         | 1872  | 8.34        | 2.4   | 201         | 1654  | 7.37        | 2.6   | 239         | 1391  | 6.20        | 3.1   | 47          | 10535 | 31.58       | 1.07  | 58          | 8507  | 25.5        | 1.33  | 69    | 7189  | 21.55       | 1.57  | 78    | 6342  | 19.01 | 1.63  | 90    | 5498  | 16.48 | 1.88  | 101   | 4894  | 14.67 | 2.1   | 117   | 4217  | 12.64 | 2.2  | 144         | 3426  | 10.27 | 2.6   | 169         | 2922  | 8.76        | 2.3   | 190         | 2599  | 7.79        | 2.2   | 220         | 2242  | 6.72        | 2.9   |       |       | 271         | 1821  | 5.46  | 3.1   |       |       |             |       | 320         | 1545  |             |       |             |      | 4.63        | 3.7   |             |      |             |       | <b>45kW</b> |       |             |       |             |       | <b>75kW</b> |       |             |       |             |       | 21          | 18874 | 69.15       | 0.90  |             |       | F 157       | 4     | 31          | 21413 | 47.07       | 0.79  | F 157       | 4     | 24          | 16655 | 61.02       | 1.02  | 28          | 14442 | 52.91       | 1.17  | 31          | 12848 | 47.07 | 1.32  | 36          | 11074 | 40.57       | 1.53  | 45          | 8999  | 32.97 | 1.88  | 53          | 7632  | 27.96       | 2.2   | 36    | 18456 | 40.57 | 0.92  | 45          | 14999 | 32.97 | 1.13 | 53    | 12719 | 27.96       | 1.33  | 58          | 11569 | 25.43 | 1.22  | 67          | 10081 | 22.16 | 1.68  | 75          | 8994  | 19.77 | 1.78  | 88          | 7665  | 16.85 | 2.2   | 106   | 6351  | 13.96       | 2.5   | 124         | 5423  | 11.92 | 2.8   | 58    | 11600 | 25.50       | 0.97  | 69          | 9803  | 21.55 | 1.2   | 78          | 8648  | 19.01       | 1.2   | 90          | 7497  | 16.48       | 1.4   | 101         | 6674  | 14.67       | 1.5  | 117   | 5750  | 12.64       | 1.6   |       |       | 144   | 4672  | 10.27       | 1.9   |       |       | 169         | 3985  |       |      | 8.76  | 1.7   | 190         | 3544  |       |       |       |       | 7.79        | 1.6   | 220   | 3057  |       |      |       |       | 6.72        | 2.2   | 271         | 2484  |       |      | 5.46  | 2.3   | 320         | 2106  |       |       | 4.63  | 2.7   | <b>45kW</b> |       |       |      |       |       |       |      | <b>75kW</b> |       |       |      |       |      | 30    | 13426 | 49.19 | 0.84 | F 127 | 4     | 58          | 11600 | 25.50 | 0.97 | F 127 | 4    | 35          | 11595 | 42.48 | 0.97 | 39          | 10255 | 37.57       | 1.10  | 47          | 8620 | 31.58 | 1.31 | 58          | 6960  | 25.50       | 1.62 | 55    | 7391 | 26.92 | 1.08  | 60    | 6758  | 24.97       | 1.18  | 69    | 5882 | 21.55 | 1.92  | 78    | 5189  | 19.01       | 2.0   | 90    | 4498 | 16.48       | 2.3   | 101   | 4004 | 14.67       | 2.6   | 117         | 3450 | 12.64 | 2.7   | 144   | 2803  | 10.27       | 3.2   | 169   | 2391 | 8.76  | 2.8   | 190   | 2126 | 7.79        | 2.7   | 220   | 1834  | 6.72  | 3.6  | 271   | 1490  | 5.46  | 3.8   |       |       |       |       |       |      |       |      |       |       |       |       |       |       |       |       |       |      |       |      |       |      |       |      |       |      |       |      |       |      |       |      |       |      |       |      |       |      |       |      |       |      |       |      |       |      |       |      |       |      |       |      |       |      |       |      |       |      |      |      |      |      |      |      |      |      |      |      |
| 53            | 6275       | 27.96    | 2.7                    |             |         | 54            | 7525       | 27.57       | 0.98                   |             |         | 59          | 6862  | 25.14       | 1.07  | 68          | 5939  | 21.76       | 1.24  | 77          | 5241  | 19.2        | 1.41  | 89          | 4525  | 16.58       | 1.63  | 101         | 4004  | 14.67       | 1.80  | 120         | 3365  | 12.33       | 2.0   | 149         | 2719  | 9.96        | 2.2   | 153         | 2634  | 9.65        | 1.8   | 177         | 2276  | 8.34        | 2.0   | 201         | 2012  | 7.37        | 2.1   | 239         | 1692  | 6.20        | 2.6   | <b>45kW</b> |       |             |       |             |       | <b>55kW</b> |       |             |       |             |       | 27          | 12509 | 55.74       | 0.90  | F 127       | 4     | 24          | 20357 |             |       | 61.02       | 0.83  |             |       | F 157       | 4     |             |       |             |       |             |       |             |       |             |       |             |       |             |       |             |       |             |       |             |       |             |       |             |       | 15          | 22261 | 49.16       | 0.51  | 35          | 9534  | 42.48       | 1.18  | 39          | 8432  | 37.57       | 1.34  | 47          | 7087  | 31.58       | 1.59  | 58          | 5723  | 25.50       | 1.97  | 55          | 6077  | 26.92       | 1.31  | 60          | 5557  | 24.97       | 1.44  | 69          | 4836  | 21.55       | 2.3   | 78          | 4266  | 19.01       | 2.4   | 90          | 3699  | 16.48       | 2.8   | 101   | 3292  | 14.67       | 3.1   | 117   | 2837  | 12.64 | 3.3   | 144   | 2305  | 10.27 | 3.9   | 169   | 1966  | 8.76  | 3.3   | 190   | 1748  | 7.79  | 3.2   | 24    | 20357 | 61.02 | 0.83  | 28    | 17651 | 52.91 | 0.96  | 31    | 15703 | 47.07 | 1.08  | 36          | 13534 | 40.57 | 1.25 | 45          | 10999 | 32.97       | 1.54 | 53          | 9328  | 27.96       | 1.81  | 58          | 8484  | 25.43       | 1.66 | 67          | 7393  | 22.16       | 2.3   | 75          | 6595  | 19.77       | 2.4   | 88          | 5621  | 16.85       | 3.0   | <b>45kW</b> |       |             |       |             |       | <b>55kW</b> |       |             |       |             |       | 54          | 6156  | 27.43       | 1.20  |             |       |             |       |             |       |             |       |             |       |             |       |       |       |             |       |             |       |             |       |       |       |             |       | F 107       | 4     |             |       | 39    | 12534 |             |       | 37.57       | 0.90  | F 127 | 4     | 58    | 5680  | 25.31       | 1.30  | 68          | 4883  | 21.76 | 1.51  | 77          | 4309  | 19.20       | 1.7  | 89    | 3721  | 16.58       | 2.0   | 101         | 3292  | 14.67 | 2.2  | 120         | 2767  | 12.33       | 2.4   | 149         | 2235  | 9.96        | 2.7   | 153         | 2166  | 9.65        | 2.1   | 177         | 1872  | 8.34        | 2.4   | 201         | 1654  | 7.37        | 2.6   | 239         | 1391  | 6.20        | 3.1   | 47          | 10535 | 31.58       | 1.07  | 58    | 8507  | 25.5        | 1.33  | 69    | 7189  | 21.55 | 1.57  | 78    | 6342  | 19.01 | 1.63  | 90    | 5498  | 16.48 | 1.88  | 101   | 4894  | 14.67 | 2.1  | 117         | 4217  | 12.64 | 2.2   | 144         | 3426  | 10.27       | 2.6   | 169         | 2922  | 8.76        | 2.3   | 190         | 2599  | 7.79        | 2.2   |       |       | 220         | 2242  | 6.72  | 2.9   |       |       |             |       | 271         | 1821  |             |       |             |      | 5.46        | 3.1   |             |      |             |       | 320         | 1545  |             |       |             |       | 4.63        | 3.7   |             |       |             |       | <b>45kW</b> |       |             |       |             |       |             |       | <b>75kW</b> |       |             |       |             |       | 21          | 18874 | 69.15       | 0.90  | F 157       | 4     | 31          | 21413 | 47.07       | 0.79  | F 157 | 4     | 24          | 16655 | 61.02       | 1.02  | 28          | 14442 | 52.91 | 1.17  | 31          | 12848 | 47.07       | 1.32  | 36    | 11074 | 40.57 | 1.53  | 45          | 8999  | 32.97 | 1.88 | 53    | 7632  | 27.96       | 2.2   | 36          | 18456 | 40.57 | 0.92  | 45          | 14999 | 32.97 | 1.13  | 53          | 12719 | 27.96 | 1.33  | 58          | 11569 | 25.43 | 1.22  | 67    | 10081 | 22.16       | 1.68  | 75          | 8994  | 19.77 | 1.78  | 88    | 7665  | 16.85       | 2.2   | 106         | 6351  | 13.96 | 2.5   | 124         | 5423  | 11.92       | 2.8   | 58          | 11600 | 25.50       | 0.97  | 69          | 9803  | 21.55       | 1.2  | 78    | 8648  | 19.01       | 1.2   |       |       | 90    | 7497  | 16.48       | 1.4   |       |       | 101         | 6674  |       |      | 14.67 | 1.5   | 117         | 5750  |       |       |       |       | 12.64       | 1.6   | 144   | 4672  |       |      |       |       | 10.27       | 1.9   | 169         | 3985  |       |      | 8.76  | 1.7   | 190         | 3544  |       |       | 7.79  | 1.6   | 220         | 3057  |       |      | 6.72  | 2.2   |       |      | 271         | 2484  | 5.46  | 2.3  |       |      | 320   | 2106  | 4.63  | 2.7  |       |       | <b>45kW</b> |       |       |      |       |      | <b>75kW</b> |       |       |      |             |       | 30          | 13426 | 49.19       | 0.84 | F 127 | 4    | 58          | 11600 | 25.50       | 0.97 | F 127 | 4    | 35    | 11595 | 42.48 | 0.97  | 39          | 10255 | 37.57 | 1.10 | 47    | 8620  | 31.58 | 1.31  | 58          | 6960  | 25.50 | 1.62 | 55          | 7391  | 26.92 | 1.08 | 60          | 6758  | 24.97       | 1.18 | 69    | 5882  | 21.55 | 1.92  | 78          | 5189  | 19.01 | 2.0  | 90    | 4498  | 16.48 | 2.3  | 101         | 4004  | 14.67 | 2.6   | 117   | 3450 | 12.64 | 2.7   | 144   | 2803  | 10.27 | 3.2   | 169   | 2391  | 8.76  | 2.8  | 190   | 2126 | 7.79  | 2.7   | 220   | 1834  | 6.72  | 3.6   | 271   | 1490  | 5.46  | 3.8  |       |      |       |      |       |      |       |      |       |      |       |      |       |      |       |      |       |      |       |      |       |      |       |      |       |      |       |      |       |      |       |      |       |      |       |      |       |      |       |      |      |      |      |      |      |      |      |      |      |      |
| 54            | 7525       | 27.57    | 0.98                   |             |         | 59            | 6862       | 25.14       | 1.07                   |             |         | 68          | 5939  | 21.76       | 1.24  | 77          | 5241  | 19.2        | 1.41  | 89          | 4525  | 16.58       | 1.63  | 101         | 4004  | 14.67       | 1.80  | 120         | 3365  | 12.33       | 2.0   | 149         | 2719  | 9.96        | 2.2   | 153         | 2634  | 9.65        | 1.8   | 177         | 2276  | 8.34        | 2.0   | 201         | 2012  | 7.37        | 2.1   | 239         | 1692  | 6.20        | 2.6   | <b>45kW</b> |       |             |       |             |       | <b>55kW</b> |       |             |       |             |       | 27          | 12509 | 55.74       | 0.90  | F 127       | 4     | 24          | 20357 |             |       | 61.02       | 0.83  |             |       | F 157       | 4     |             |       |             |       |             |       |             |       |             |       |             |       |             |       |             |       |             |       |             |       |             |       |             |       |             |       |             |       | 15          | 22261 | 49.16       | 0.51  | 35          | 9534  | 42.48       | 1.18  | 39          | 8432  | 37.57       | 1.34  | 47          | 7087  | 31.58       | 1.59  | 58          | 5723  | 25.50       | 1.97  | 55          | 6077  | 26.92       | 1.31  | 60          | 5557  | 24.97       | 1.44  | 69          | 4836  | 21.55       | 2.3   | 78          | 4266  | 19.01       | 2.4   | 90          | 3699  | 16.48       | 2.8   | 101   | 3292  | 14.67       | 3.1   | 117   | 2837  | 12.64 | 3.3   | 144   | 2305  | 10.27 | 3.9   | 169   | 1966  | 8.76  | 3.3   | 190   | 1748  | 7.79  | 3.2   | 24    | 20357 | 61.02 | 0.83  | 28    | 17651 | 52.91 | 0.96  | 31    | 15703 | 47.07 | 1.08  | 36          | 13534 | 40.57 | 1.25 | 45          | 10999 | 32.97       | 1.54 | 53          | 9328  | 27.96       | 1.81  | 58          | 8484  | 25.43       | 1.66 | 67          | 7393  | 22.16       | 2.3   | 75          | 6595  | 19.77       | 2.4   | 88          | 5621  | 16.85       | 3.0   | <b>45kW</b> |       |             |       |             |       | <b>55kW</b> |       |             |       |             |       | 54          | 6156  | 27.43       | 1.20  |             |       |             |       |             |       |             |       |             |       |             |       |       |       |             |       |             |       |             |       |       |       |             |       |             |       |             |       | F 107 | 4     |             |       | 39          | 12534 |       |       | 37.57 | 0.90  | F 127       | 4     | 58          | 5680  | 25.31 | 1.30  | 68          | 4883  | 21.76       | 1.51 | 77    | 4309  | 19.20       | 1.7   | 89          | 3721  | 16.58 | 2.0  | 101         | 3292  | 14.67       | 2.2   | 120         | 2767  | 12.33       | 2.4   | 149         | 2235  | 9.96        | 2.7   | 153         | 2166  | 9.65        | 2.1   | 177         | 1872  | 8.34        | 2.4   | 201         | 1654  | 7.37        | 2.6   | 239         | 1391  | 6.20        | 3.1   | 47    | 10535 | 31.58       | 1.07  | 58    | 8507  | 25.5  | 1.33  | 69    | 7189  | 21.55 | 1.57  | 78    | 6342  | 19.01 | 1.63  | 90    | 5498  | 16.48 | 1.88 | 101         | 4894  | 14.67 | 2.1   | 117         | 4217  | 12.64       | 2.2   | 144         | 3426  | 10.27       | 2.6   | 169         | 2922  | 8.76        | 2.3   | 190   | 2599  | 7.79        | 2.2   | 220   | 2242  |       |       |             |       | 6.72        | 2.9   |             |       |             |      | 271         | 1821  |             |      |             |       | 5.46        | 3.1   |             |       |             |       | 320         | 1545  |             |       |             |       | 4.63        | 3.7   | <b>45kW</b> |       |             |       |             |       | <b>75kW</b> |       |             |       |             |       | 21          | 18874 | 69.15       | 0.90  |             |       | F 157       | 4     | 31          | 21413 |       |       | 47.07       | 0.79  | F 157       | 4     | 24          | 16655 | 61.02 | 1.02  | 28          | 14442 | 52.91       | 1.17  | 31    | 12848 | 47.07 | 1.32  | 36          | 11074 | 40.57 | 1.53 | 45    | 8999  | 32.97       | 1.88  | 53          | 7632  | 27.96 | 2.2   | 36          | 18456 | 40.57 | 0.92  | 45          | 14999 | 32.97 | 1.13  | 53          | 12719 | 27.96 | 1.33  | 58    | 11569 | 25.43       | 1.22  | 67          | 10081 | 22.16 | 1.68  | 75    | 8994  | 19.77       | 1.78  | 88          | 7665  | 16.85 | 2.2   | 106         | 6351  | 13.96       | 2.5   | 124         | 5423  | 11.92       | 2.8   | 58          | 11600 | 25.50       | 0.97 | 69    | 9803  | 21.55       | 1.2   |       |       | 78    | 8648  | 19.01       | 1.2   |       |       | 90          | 7497  |       |      | 16.48 | 1.4   | 101         | 6674  |       |       |       |       | 14.67       | 1.5   | 117   | 5750  |       |      |       |       | 12.64       | 1.6   | 144         | 4672  |       |      | 10.27 | 1.9   | 169         | 3985  |       |       | 8.76  | 1.7   | 190         | 3544  |       |      | 7.79  | 1.6   |       |      | 220         | 3057  | 6.72  | 2.2  |       |      | 271   | 2484  | 5.46  | 2.3  |       |       | 320         | 2106  | 4.63  | 2.7  |       |      | <b>45kW</b> |       |       |      |             |       | <b>75kW</b> |       |             |      |       |      | 30          | 13426 | 49.19       | 0.84 |       |      | F 127 | 4     | 58    | 11600 | 25.50       | 0.97  | F 127 | 4    | 35    | 11595 | 42.48 | 0.97  | 39          | 10255 | 37.57 | 1.10 | 47          | 8620  | 31.58 | 1.31 | 58          | 6960  | 25.50       | 1.62 | 55    | 7391  | 26.92 | 1.08  | 60          | 6758  | 24.97 | 1.18 | 69    | 5882  | 21.55 | 1.92 | 78          | 5189  | 19.01 | 2.0   | 90    | 4498 | 16.48 | 2.3   | 101   | 4004  | 14.67 | 2.6   | 117   | 3450  | 12.64 | 2.7  | 144   | 2803 | 10.27 | 3.2   | 169   | 2391  | 8.76  | 2.8   | 190   | 2126  | 7.79  | 2.7  | 220   | 1834 | 6.72  | 3.6  | 271   | 1490 | 5.46  | 3.8  |       |      |       |      |       |      |       |      |       |      |       |      |       |      |       |      |       |      |       |      |       |      |       |      |       |      |       |      |       |      |       |      |      |      |      |      |      |      |      |      |      |      |
| 59            | 6862       | 25.14    | 1.07                   | 68          | 5939    | 21.76         | 1.24       | 77          | 5241                   | 19.2        | 1.41    | 89          | 4525  | 16.58       | 1.63  | 101         | 4004  | 14.67       | 1.80  | 120         | 3365  | 12.33       | 2.0   | 149         | 2719  | 9.96        | 2.2   | 153         | 2634  | 9.65        | 1.8   | 177         | 2276  | 8.34        | 2.0   | 201         | 2012  | 7.37        | 2.1   | 239         | 1692  | 6.20        | 2.6   | <b>45kW</b> |       |             |       |             |       | <b>55kW</b> |       |             |       |             |       | 27          | 12509 | 55.74       | 0.90  | F 127       | 4     | 24          | 20357 | 61.02       | 0.83  | F 157       | 4     |             |       | 15          | 22261 |             |       | 49.16       | 0.51  |             |       |             |       |             |       |             |       |             |       |             |       |             |       |             |       |             |       |             |       |             |       |             |       |             |       |             |       |             |       |             |       | 35          | 9534  | 42.48       | 1.18  | 39          | 8432  | 37.57       | 1.34  | 47          | 7087  | 31.58       | 1.59  | 58          | 5723  | 25.50       | 1.97  | 55          | 6077  | 26.92       | 1.31  | 60          | 5557  | 24.97       | 1.44  | 69          | 4836  | 21.55       | 2.3   | 78          | 4266  | 19.01       | 2.4   | 90          | 3699  | 16.48       | 2.8   | 101         | 3292  | 14.67       | 3.1   | 117   | 2837  | 12.64       | 3.3   | 144   | 2305  | 10.27 | 3.9   | 169   | 1966  | 8.76  | 3.3   | 190   | 1748  | 7.79  | 3.2   | 24    | 20357 | 61.02 | 0.83  | 28    | 17651 | 52.91 | 0.96  | 31    | 15703 | 47.07 | 1.08  | 36    | 13534 | 40.57 | 1.25  | 45          | 10999 | 32.97 | 1.54 | 53          | 9328  | 27.96       | 1.81 | 58          | 8484  | 25.43       | 1.66  | 67          | 7393  | 22.16       | 2.3  | 75          | 6595  | 19.77       | 2.4   | 88          | 5621  | 16.85       | 3.0   | <b>45kW</b> |       |             |       |             |       | <b>55kW</b> |       |             |       |             |       | 54          | 6156  | 27.43       | 1.20  | F 107       | 4     | 39          | 12534 |             |       |             |       |             |       |             |       |             |       |             |       |       |       |             |       |             |       |             |       |       |       |             |       |             |       |             |       |       |       |             |       | 37.57       | 0.90  |       |       | F 127 | 4     |             |       | 58          | 5680  | 25.31 | 1.30  | 68          | 4883  | 21.76       | 1.51 | 77    | 4309  | 19.20       | 1.7   | 89          | 3721  | 16.58 | 2.0  | 101         | 3292  | 14.67       | 2.2   | 120         | 2767  | 12.33       | 2.4   | 149         | 2235  | 9.96        | 2.7   | 153         | 2166  | 9.65        | 2.1   | 177         | 1872  | 8.34        | 2.4   | 201         | 1654  | 7.37        | 2.6   | 239         | 1391  | 6.20        | 3.1   | 47    | 10535 | 31.58       | 1.07  | 58    | 8507  | 25.5  | 1.33  | 69    | 7189  | 21.55 | 1.57  | 78    | 6342  | 19.01 | 1.63  | 90    | 5498  | 16.48 | 1.88 | 101         | 4894  | 14.67 | 2.1   | 117         | 4217  | 12.64       | 2.2   | 144         | 3426  | 10.27       | 2.6   | 169         | 2922  | 8.76        | 2.3   | 190   | 2599  | 7.79        | 2.2   | 220   | 2242  |       |       | 6.72        | 2.9   | 271         | 1821  |             |       |             |      | 5.46        | 3.1   |             |      |             |       | 320         | 1545  |             |       |             |       | 4.63        | 3.7   |             |       |             |       | <b>45kW</b> |       |             |       |             |       |             |       | <b>75kW</b> |       |             |       |             |       | 21          | 18874 | 69.15       | 0.90  |             |       |             |       | F 157       | 4     |       |       | 31          | 21413 |             |       | 47.07       | 0.79  | F 157 | 4     | 24          | 16655 | 61.02       | 1.02  | 28    | 14442 | 52.91 | 1.17  | 31          | 12848 | 47.07 | 1.32 | 36    | 11074 | 40.57       | 1.53  | 45          | 8999  | 32.97 | 1.88  | 53          | 7632  | 27.96 | 2.2   | 36          | 18456 | 40.57 | 0.92  | 45          | 14999 | 32.97 | 1.13  | 53    | 12719 | 27.96       | 1.33  | 58          | 11569 | 25.43 | 1.22  | 67    | 10081 | 22.16       | 1.68  | 75          | 8994  | 19.77 | 1.78  | 88          | 7665  | 16.85       | 2.2   | 106         | 6351  | 13.96       | 2.5   | 124         | 5423  | 11.92       | 2.8  | 58    | 11600 | 25.50       | 0.97  |       |       | 69    | 9803  | 21.55       | 1.2   |       |       | 78          | 8648  |       |      | 19.01 | 1.2   | 90          | 7497  |       |       |       |       | 16.48       | 1.4   | 101   | 6674  |       |      |       |       | 14.67       | 1.5   | 117         | 5750  |       |      | 12.64 | 1.6   | 144         | 4672  |       |       | 10.27 | 1.9   | 169         | 3985  |       |      | 8.76  | 1.7   |       |      | 190         | 3544  | 7.79  | 1.6  |       |      | 220   | 3057  | 6.72  | 2.2  |       |       | 271         | 2484  | 5.46  | 2.3  |       |      | 320         | 2106  | 4.63  | 2.7  | <b>45kW</b> |       |             |       |             |      |       |      | <b>75kW</b> |       |             |      |       |      |       |       | 30    | 13426 | 49.19       | 0.84  |       |      | F 127 | 4     | 58    | 11600 | 25.50       | 0.97  | F 127 | 4    | 35          | 11595 | 42.48 | 0.97 | 39          | 10255 | 37.57       | 1.10 | 47    | 8620  | 31.58 | 1.31  | 58          | 6960  | 25.50 | 1.62 | 55    | 7391  | 26.92 | 1.08 | 60          | 6758  | 24.97 | 1.18  | 69    | 5882 | 21.55 | 1.92  | 78    | 5189  | 19.01 | 2.0   | 90    | 4498  | 16.48 | 2.3  | 101   | 4004 | 14.67 | 2.6   | 117   | 3450  | 12.64 | 2.7   | 144   | 2803  | 10.27 | 3.2  | 169   | 2391 | 8.76  | 2.8  | 190   | 2126 | 7.79  | 2.7  | 220   | 1834 | 6.72  | 3.6  | 271   | 1490 | 5.46  | 3.8  |       |      |       |      |       |      |       |      |       |      |       |      |       |      |       |      |       |      |       |      |       |      |       |      |      |      |      |      |      |      |      |      |      |      |
| 68            | 5939       | 21.76    | 1.24                   | 77          | 5241    | 19.2          | 1.41       | 89          | 4525                   | 16.58       | 1.63    | 101         | 4004  | 14.67       | 1.80  | 120         | 3365  | 12.33       | 2.0   | 149         | 2719  | 9.96        | 2.2   | 153         | 2634  | 9.65        | 1.8   | 177         | 2276  | 8.34        | 2.0   | 201         | 2012  | 7.37        | 2.1   | 239         | 1692  | 6.20        | 2.6   | <b>45kW</b> |       |             |       |             |       | <b>55kW</b> |       |             |       |             |       | 27          | 12509 | 55.74       | 0.90  | F 127       | 4     | 24          | 20357 |             |       | 61.02       | 0.83  | F 157       | 4     |             |       |             |       | 15          | 22261 |             |       | 49.16       | 0.51  |             |       |             |       |             |       |             |       |             |       |             |       |             |       |             |       |             |       |             |       |             |       |             |       |             |       |             |       |             |       |             |       | 35          | 9534  | 42.48       | 1.18  | 39          | 8432  | 37.57       | 1.34  | 47          | 7087  | 31.58       | 1.59  | 58          | 5723  | 25.50       | 1.97  | 55          | 6077  | 26.92       | 1.31  | 60          | 5557  | 24.97       | 1.44  | 69          | 4836  | 21.55       | 2.3   | 78          | 4266  | 19.01       | 2.4   | 90          | 3699  | 16.48       | 2.8   | 101         | 3292  | 14.67       | 3.1   | 117   | 2837  | 12.64       | 3.3   | 144   | 2305  | 10.27 | 3.9   | 169   | 1966  | 8.76  | 3.3   | 190   | 1748  | 7.79  | 3.2   | 24    | 20357 | 61.02 | 0.83  | 28    | 17651 | 52.91 | 0.96  | 31    | 15703 | 47.07 | 1.08  | 36    | 13534 | 40.57 | 1.25  | 45          | 10999 | 32.97 | 1.54 | 53          | 9328  | 27.96       | 1.81 | 58          | 8484  | 25.43       | 1.66  | 67          | 7393  | 22.16       | 2.3  | 75          | 6595  | 19.77       | 2.4   | 88          | 5621  | 16.85       | 3.0   | <b>45kW</b> |       |             |       |             |       | <b>55kW</b> |       |             |       |             |       | 54          | 6156  | 27.43       | 1.20  |             |       | F 107       | 4     |             |       |             |       |             |       |             |       |             |       |             |       |       |       |             |       |             |       |             |       |       |       |             |       |             |       |             |       |       |       |             |       | 39          | 12534 |       |       |       |       |             |       | 37.57       | 0.90  | F 127 | 4     | 58          | 5680  | 25.31       | 1.30 | 68    | 4883  | 21.76       | 1.51  | 77          | 4309  | 19.20 | 1.7  | 89          | 3721  | 16.58       | 2.0   | 101         | 3292  | 14.67       | 2.2   | 120         | 2767  | 12.33       | 2.4   | 149         | 2235  | 9.96        | 2.7   | 153         | 2166  | 9.65        | 2.1   | 177         | 1872  | 8.34        | 2.4   | 201         | 1654  | 7.37        | 2.6   | 239   | 1391  | 6.20        | 3.1   | 47    | 10535 | 31.58 | 1.07  | 58    | 8507  | 25.5  | 1.33  | 69    | 7189  | 21.55 | 1.57  | 78    | 6342  | 19.01 | 1.63 | 90          | 5498  | 16.48 | 1.88  | 101         | 4894  | 14.67       | 2.1   | 117         | 4217  | 12.64       | 2.2   | 144         | 3426  | 10.27       | 2.6   | 169   | 2922  | 8.76        | 2.3   | 190   | 2599  |       |       | 7.79        | 2.2   | 220         | 2242  | 6.72        | 2.9   |             |      | 271         | 1821  |             |      |             |       | 5.46        | 3.1   |             |       |             |       | 320         | 1545  |             |       |             |       | 4.63        | 3.7   | <b>45kW</b> |       |             |       |             |       | <b>75kW</b> |       |             |       |             |       | 21          | 18874 | 69.15       | 0.90  |             |       |             |       |             |       |       |       | F 157       | 4     |             |       | 31          | 21413 |       |       | 47.07       | 0.79  | F 157       | 4     | 24    | 16655 | 61.02 | 1.02  | 28          | 14442 | 52.91 | 1.17 | 31    | 12848 | 47.07       | 1.32  | 36          | 11074 | 40.57 | 1.53  | 45          | 8999  | 32.97 | 1.88  | 53          | 7632  | 27.96 | 2.2   | 36          | 18456 | 40.57 | 0.92  | 45    | 14999 | 32.97       | 1.13  | 53          | 12719 | 27.96 | 1.33  | 58    | 11569 | 25.43       | 1.22  | 67          | 10081 | 22.16 | 1.68  | 75          | 8994  | 19.77       | 1.78  | 88          | 7665  | 16.85       | 2.2   | 106         | 6351  | 13.96       | 2.5  | 124   | 5423  | 11.92       | 2.8   |       |       | 58    | 11600 | 25.50       | 0.97  |       |       | 69          | 9803  |       |      | 21.55 | 1.2   | 78          | 8648  |       |       |       |       | 19.01       | 1.2   | 90    | 7497  |       |      |       |       | 16.48       | 1.4   | 101         | 6674  |       |      | 14.67 | 1.5   | 117         | 5750  |       |       | 12.64 | 1.6   | 144         | 4672  |       |      | 10.27 | 1.9   |       |      | 169         | 3985  | 8.76  | 1.7  |       |      | 190   | 3544  | 7.79  | 1.6  |       |       | 220         | 3057  | 6.72  | 2.2  |       |      | 271         | 2484  | 5.46  | 2.3  | 320         | 2106  | 4.63        | 2.7   | <b>45kW</b> |      |       |      |             |       | <b>75kW</b> |      |       |      |       |       | 30    | 13426 | 49.19       | 0.84  |       |      |       |       | F 127 | 4     | 58          | 11600 |       |      | 25.50       | 0.97  | F 127 | 4    | 35          | 11595 | 42.48       | 0.97 | 39    | 10255 | 37.57 | 1.10  | 47          | 8620  | 31.58 | 1.31 | 58    | 6960  | 25.50 | 1.62 | 55          | 7391  | 26.92 | 1.08  | 60    | 6758 | 24.97 | 1.18  | 69    | 5882  | 21.55 | 1.92  | 78    | 5189  | 19.01 | 2.0  | 90    | 4498 | 16.48 | 2.3   | 101   | 4004  | 14.67 | 2.6   | 117   | 3450  | 12.64 | 2.7  | 144   | 2803 | 10.27 | 3.2  | 169   | 2391 | 8.76  | 2.8  | 190   | 2126 | 7.79  | 2.7  | 220   | 1834 | 6.72  | 3.6  | 271   | 1490 | 5.46  | 3.8  |       |      |       |      |       |      |       |      |       |      |       |      |       |      |       |      |       |      |       |      |      |      |      |      |      |      |      |      |      |      |
| 77            | 5241       | 19.2     | 1.41                   | 89          | 4525    | 16.58         | 1.63       | 101         | 4004                   | 14.67       | 1.80    | 120         | 3365  | 12.33       | 2.0   | 149         | 2719  | 9.96        | 2.2   | 153         | 2634  | 9.65        | 1.8   | 177         | 2276  | 8.34        | 2.0   | 201         | 2012  | 7.37        | 2.1   | 239         | 1692  | 6.20        | 2.6   | <b>45kW</b> |       |             |       |             |       | <b>55kW</b> |       |             |       |             |       | 27          | 12509 | 55.74       | 0.90  | F 127       | 4     | 24          | 20357 |             |       | 61.02       | 0.83  |             |       | F 157       | 4     |             |       |             |       |             |       | 15          | 22261 |             |       | 49.16       | 0.51  |             |       |             |       |             |       |             |       |             |       |             |       |             |       |             |       |             |       |             |       |             |       |             |       |             |       |             |       |             |       |             |       | 35          | 9534  | 42.48       | 1.18  | 39          | 8432  | 37.57       | 1.34  | 47          | 7087  | 31.58       | 1.59  | 58          | 5723  | 25.50       | 1.97  | 55          | 6077  | 26.92       | 1.31  | 60          | 5557  | 24.97       | 1.44  | 69          | 4836  | 21.55       | 2.3   | 78          | 4266  | 19.01       | 2.4   | 90          | 3699  | 16.48       | 2.8   | 101         | 3292  | 14.67       | 3.1   | 117   | 2837  | 12.64       | 3.3   | 144   | 2305  | 10.27 | 3.9   | 169   | 1966  | 8.76  | 3.3   | 190   | 1748  | 7.79  | 3.2   | 24    | 20357 | 61.02 | 0.83  | 28    | 17651 | 52.91 | 0.96  | 31    | 15703 | 47.07 | 1.08  | 36    | 13534 | 40.57 | 1.25  | 45          | 10999 | 32.97 | 1.54 | 53          | 9328  | 27.96       | 1.81 | 58          | 8484  | 25.43       | 1.66  | 67          | 7393  | 22.16       | 2.3  | 75          | 6595  | 19.77       | 2.4   | 88          | 5621  | 16.85       | 3.0   | <b>45kW</b> |       |             |       |             |       | <b>55kW</b> |       |             |       |             |       | 54          | 6156  | 27.43       | 1.20  |             |       |             |       |             |       |             |       |             |       |             |       |             |       |             |       |       |       |             |       |             |       |             |       |       |       |             |       |             |       |             |       |       |       |             |       | F 107       | 4     |       |       |       |       |             |       | 39          | 12534 |       |       | 37.57       | 0.90  | F 127       | 4    | 58    | 5680  | 25.31       | 1.30  | 68          | 4883  | 21.76 | 1.51 | 77          | 4309  | 19.20       | 1.7   | 89          | 3721  | 16.58       | 2.0   | 101         | 3292  | 14.67       | 2.2   | 120         | 2767  | 12.33       | 2.4   | 149         | 2235  | 9.96        | 2.7   | 153         | 2166  | 9.65        | 2.1   | 177         | 1872  | 8.34        | 2.4   | 201   | 1654  | 7.37        | 2.6   | 239   | 1391  | 6.20  | 3.1   | 47    | 10535 | 31.58 | 1.07  | 58    | 8507  | 25.5  | 1.33  | 69    | 7189  | 21.55 | 1.57 | 78          | 6342  | 19.01 | 1.63  | 90          | 5498  | 16.48       | 1.88  | 101         | 4894  | 14.67       | 2.1   | 117         | 4217  | 12.64       | 2.2   | 144   | 3426  | 10.27       | 2.6   | 169   | 2922  |       |       | 8.76        | 2.3   | 190         | 2599  | 7.79        | 2.2   |             |      | 220         | 2242  | 6.72        | 2.9  |             |       | 271         | 1821  |             |       |             |       | 5.46        | 3.1   |             |       |             |       | 320         | 1545  | 4.63        | 3.7   |             |       |             |       | <b>45kW</b> |       |             |       |             |       | <b>75kW</b> |       |             |       |             |       |             |       |             |       |       |       |             |       |             |       | 21          | 18874 |       |       | 69.15       | 0.90  |             |       | F 157 | 4     | 31    | 21413 | 47.07       | 0.79  | F 157 | 4    | 24    | 16655 | 61.02       | 1.02  | 28          | 14442 | 52.91 | 1.17  | 31          | 12848 | 47.07 | 1.32  | 36          | 11074 | 40.57 | 1.53  | 45          | 8999  | 32.97 | 1.88  | 53    | 7632  | 27.96       | 2.2   | 36          | 18456 | 40.57 | 0.92  | 45    | 14999 | 32.97       | 1.13  | 53          | 12719 | 27.96 | 1.33  | 58          | 11569 | 25.43       | 1.22  | 67          | 10081 | 22.16       | 1.68  | 75          | 8994  | 19.77       | 1.78 | 88    | 7665  | 16.85       | 2.2   |       |       | 106   | 6351  | 13.96       | 2.5   |       |       | 124         | 5423  |       |      | 11.92 | 2.8   | 58          | 11600 |       |       |       |       | 25.50       | 0.97  | 69    | 9803  |       |      |       |       | 21.55       | 1.2   | 78          | 8648  |       |      | 19.01 | 1.2   | 90          | 7497  |       |       | 16.48 | 1.4   | 101         | 6674  |       |      | 14.67 | 1.5   |       |      | 117         | 5750  | 12.64 | 1.6  |       |      | 144   | 4672  | 10.27 | 1.9  |       |       | 169         | 3985  | 8.76  | 1.7  |       |      | 190         | 3544  | 7.79  | 1.6  | 220         | 3057  | 6.72        | 2.2   | 271         | 2484 |       |      | 5.46        | 2.3   | 320         | 2106 |       |      |       |       | 4.63  | 2.7   | <b>45kW</b> |       |       |      |       |       |       |       | <b>75kW</b> |       |       |      |             |       |       |      | 30          | 13426 | 49.19       | 0.84 | F 127 | 4     | 58    | 11600 | 25.50       | 0.97  | F 127 | 4    | 35    | 11595 | 42.48 | 0.97 | 39          | 10255 | 37.57 | 1.10  | 47    | 8620 | 31.58 | 1.31  | 58    | 6960  | 25.50 | 1.62  | 55    | 7391  | 26.92 | 1.08 | 60    | 6758 | 24.97 | 1.18  | 69    | 5882  | 21.55 | 1.92  | 78    | 5189  | 19.01 | 2.0  | 90    | 4498 | 16.48 | 2.3  | 101   | 4004 | 14.67 | 2.6  | 117   | 3450 | 12.64 | 2.7  | 144   | 2803 | 10.27 | 3.2  | 169   | 2391 | 8.76  | 2.8  | 190   | 2126 | 7.79  | 2.7  | 220   | 1834 | 6.72  | 3.6  | 271   | 1490 | 5.46  | 3.8  |       |      |       |      |       |      |       |      |      |      |      |      |      |      |      |      |      |      |
| 89            | 4525       | 16.58    | 1.63                   | 101         | 4004    | 14.67         | 1.80       | 120         | 3365                   | 12.33       | 2.0     | 149         | 2719  | 9.96        | 2.2   | 153         | 2634  | 9.65        | 1.8   | 177         | 2276  | 8.34        | 2.0   | 201         | 2012  | 7.37        | 2.1   | 239         | 1692  | 6.20        | 2.6   | <b>45kW</b> |       |             |       |             |       | <b>55kW</b> |       |             |       |             |       | 27          | 12509 | 55.74       | 0.90  | F 127       | 4     | 24          | 20357 |             |       | 61.02       | 0.83  |             |       | F 157       | 4     |             |       |             |       |             |       |             |       |             |       | 15          | 22261 |             |       | 49.16       | 0.51  |             |       |             |       |             |       |             |       |             |       |             |       |             |       |             |       |             |       |             |       |             |       |             |       |             |       |             |       |             |       |             |       | 35          | 9534  | 42.48       | 1.18  | 39          | 8432  | 37.57       | 1.34  | 47          | 7087  | 31.58       | 1.59  | 58          | 5723  | 25.50       | 1.97  | 55          | 6077  | 26.92       | 1.31  | 60          | 5557  | 24.97       | 1.44  | 69          | 4836  | 21.55       | 2.3   | 78          | 4266  | 19.01       | 2.4   | 90          | 3699  | 16.48       | 2.8   | 101         | 3292  | 14.67       | 3.1   | 117   | 2837  | 12.64       | 3.3   | 144   | 2305  | 10.27 | 3.9   | 169   | 1966  | 8.76  | 3.3   | 190   | 1748  | 7.79  | 3.2   | 24    | 20357 | 61.02 | 0.83  | 28    | 17651 | 52.91 | 0.96  | 31    | 15703 | 47.07 | 1.08  | 36    | 13534 | 40.57 | 1.25  | 45          | 10999 | 32.97 | 1.54 | 53          | 9328  | 27.96       | 1.81 | 58          | 8484  | 25.43       | 1.66  | 67          | 7393  | 22.16       | 2.3  | 75          | 6595  | 19.77       | 2.4   | 88          | 5621  | 16.85       | 3.0   | <b>45kW</b> |       |             |       |             |       | <b>55kW</b> |       |             |       |             |       | 54          | 6156  | 27.43       | 1.20  |             |       |             |       |             |       |             |       |             |       |             |       |             |       |             |       |       |       |             |       |             |       |             |       |       |       |             |       |             |       |             |       |       |       |             |       |             |       |       |       |       |       |             |       | F 107       | 4     |       |       | 39          | 12534 |             |      | 37.57 | 0.90  | F 127       | 4     | 58          | 5680  | 25.31 | 1.30 | 68          | 4883  | 21.76       | 1.51  | 77          | 4309  | 19.20       | 1.7   | 89          | 3721  | 16.58       | 2.0   | 101         | 3292  | 14.67       | 2.2   | 120         | 2767  | 12.33       | 2.4   | 149         | 2235  | 9.96        | 2.7   | 153         | 2166  | 9.65        | 2.1   | 177   | 1872  | 8.34        | 2.4   | 201   | 1654  | 7.37  | 2.6   | 239   | 1391  | 6.20  | 3.1   | 47    | 10535 | 31.58 | 1.07  | 58    | 8507  | 25.5  | 1.33 | 69          | 7189  | 21.55 | 1.57  | 78          | 6342  | 19.01       | 1.63  | 90          | 5498  | 16.48       | 1.88  | 101         | 4894  | 14.67       | 2.1   | 117   | 4217  | 12.64       | 2.2   | 144   | 3426  |       |       | 10.27       | 2.6   | 169         | 2922  | 8.76        | 2.3   |             |      | 190         | 2599  | 7.79        | 2.2  |             |       | 220         | 2242  | 6.72        | 2.9   |             |       | 271         | 1821  |             |       |             |       | 5.46        | 3.1   | 320         | 1545  |             |       |             |       | 4.63        | 3.7   | <b>45kW</b> |       |             |       |             |       | <b>75kW</b> |       |             |       |             |       |             |       |       |       |             |       |             |       | 21          | 18874 |       |       | 69.15       | 0.90  |             |       |       |       | F 157 | 4     | 31          | 21413 |       |      | 47.07 | 0.79  | F 157       | 4     | 24          | 16655 | 61.02 | 1.02  | 28          | 14442 | 52.91 | 1.17  | 31          | 12848 | 47.07 | 1.32  | 36          | 11074 | 40.57 | 1.53  | 45    | 8999  | 32.97       | 1.88  | 53          | 7632  | 27.96 | 2.2   | 36    | 18456 | 40.57       | 0.92  | 45          | 14999 | 32.97 | 1.13  | 53          | 12719 | 27.96       | 1.33  | 58          | 11569 | 25.43       | 1.22  | 67          | 10081 | 22.16       | 1.68 | 75    | 8994  | 19.77       | 1.78  |       |       | 88    | 7665  | 16.85       | 2.2   |       |       | 106         | 6351  |       |      | 13.96 | 2.5   | 124         | 5423  |       |       |       |       | 11.92       | 2.8   | 58    | 11600 |       |      |       |       | 25.50       | 0.97  | 69          | 9803  |       |      | 21.55 | 1.2   | 78          | 8648  |       |       | 19.01 | 1.2   | 90          | 7497  |       |      | 16.48 | 1.4   |       |      | 101         | 6674  | 14.67 | 1.5  |       |      | 117   | 5750  | 12.64 | 1.6  |       |       | 144         | 4672  | 10.27 | 1.9  |       |      | 169         | 3985  | 8.76  | 1.7  | 190         | 3544  | 7.79        | 1.6   | 220         | 3057 |       |      | 6.72        | 2.2   | 271         | 2484 |       |      |       |       | 5.46  | 2.3   | 320         | 2106  |       |      |       |       |       |       | 4.63        | 2.7   |       |      | <b>45kW</b> |       |       |      |             |       | <b>75kW</b> |      |       |       |       |       | 30          | 13426 |       |      | 49.19 | 0.84  | F 127 | 4    | 58          | 11600 | 25.50 | 0.97  | F 127 | 4    | 35    | 11595 | 42.48 | 0.97  | 39    | 10255 | 37.57 | 1.10  | 47    | 8620 | 31.58 | 1.31 | 58    | 6960  | 25.50 | 1.62  | 55    | 7391  | 26.92 | 1.08  | 60    | 6758 | 24.97 | 1.18 | 69    | 5882 | 21.55 | 1.92 | 78    | 5189 | 19.01 | 2.0  | 90    | 4498 | 16.48 | 2.3  | 101   | 4004 | 14.67 | 2.6  | 117   | 3450 | 12.64 | 2.7  | 144   | 2803 | 10.27 | 3.2  | 169   | 2391 | 8.76  | 2.8  | 190   | 2126 | 7.79  | 2.7  | 220   | 1834 | 6.72  | 3.6  | 271   | 1490 | 5.46 | 3.8  |      |      |      |      |      |      |      |      |
| 101           | 4004       | 14.67    | 1.80                   | 120         | 3365    | 12.33         | 2.0        | 149         | 2719                   | 9.96        | 2.2     | 153         | 2634  | 9.65        | 1.8   | 177         | 2276  | 8.34        | 2.0   | 201         | 2012  | 7.37        | 2.1   | 239         | 1692  | 6.20        | 2.6   | <b>45kW</b> |       |             |       |             |       | <b>55kW</b> |       |             |       |             |       | 27          | 12509 | 55.74       | 0.90  | F 127       | 4     | 24          | 20357 |             |       | 61.02       | 0.83  |             |       | F 157       | 4     |             |       |             |       |             |       |             |       |             |       |             |       |             |       | 15          | 22261 |             |       | 49.16       | 0.51  |             |       |             |       |             |       |             |       |             |       |             |       |             |       |             |       |             |       |             |       |             |       |             |       |             |       |             |       |             |       |             |       | 35          | 9534  | 42.48       | 1.18  | 39          | 8432  | 37.57       | 1.34  | 47          | 7087  | 31.58       | 1.59  | 58          | 5723  | 25.50       | 1.97  | 55          | 6077  | 26.92       | 1.31  | 60          | 5557  | 24.97       | 1.44  | 69          | 4836  | 21.55       | 2.3   | 78          | 4266  | 19.01       | 2.4   | 90          | 3699  | 16.48       | 2.8   | 101         | 3292  | 14.67       | 3.1   | 117   | 2837  | 12.64       | 3.3   | 144   | 2305  | 10.27 | 3.9   | 169   | 1966  | 8.76  | 3.3   | 190   | 1748  | 7.79  | 3.2   | 24    | 20357 | 61.02 | 0.83  | 28    | 17651 | 52.91 | 0.96  | 31    | 15703 | 47.07 | 1.08  | 36    | 13534 | 40.57 | 1.25  | 45          | 10999 | 32.97 | 1.54 | 53          | 9328  | 27.96       | 1.81 | 58          | 8484  | 25.43       | 1.66  | 67          | 7393  | 22.16       | 2.3  | 75          | 6595  | 19.77       | 2.4   | 88          | 5621  | 16.85       | 3.0   | <b>45kW</b> |       |             |       |             |       | <b>55kW</b> |       |             |       |             |       | 54          | 6156  | 27.43       | 1.20  |             |       |             |       |             |       |             |       |             |       |             |       |             |       |             |       |       |       |             |       |             |       |             |       |       |       |             |       |             |       |             |       |       |       |             |       |             |       |       |       |       |       |             |       |             |       |       |       | F 107       | 4     |             |      | 39    | 12534 |             |       | 37.57       | 0.90  | F 127 | 4    | 58          | 5680  | 25.31       | 1.30  | 68          | 4883  | 21.76       | 1.51  | 77          | 4309  | 19.20       | 1.7   | 89          | 3721  | 16.58       | 2.0   | 101         | 3292  | 14.67       | 2.2   | 120         | 2767  | 12.33       | 2.4   | 149         | 2235  | 9.96        | 2.7   | 153   | 2166  | 9.65        | 2.1   | 177   | 1872  | 8.34  | 2.4   | 201   | 1654  | 7.37  | 2.6   | 239   | 1391  | 6.20  | 3.1   | 47    | 10535 | 31.58 | 1.07 | 58          | 8507  | 25.5  | 1.33  | 69          | 7189  | 21.55       | 1.57  | 78          | 6342  | 19.01       | 1.63  | 90          | 5498  | 16.48       | 1.88  | 101   | 4894  | 14.67       | 2.1   | 117   | 4217  |       |       | 12.64       | 2.2   | 144         | 3426  | 10.27       | 2.6   |             |      | 169         | 2922  | 8.76        | 2.3  |             |       | 190         | 2599  | 7.79        | 2.2   |             |       | 220         | 2242  | 6.72        | 2.9   |             |       | 271         | 1821  | 5.46        | 3.1   |             |       |             |       | 320         | 1545  | 4.63        | 3.7   |             |       | <b>45kW</b> |       |             |       |             |       |             |       |             |       |       |       |             |       |             |       | <b>75kW</b> |       |       |       |             |       |             |       |       |       |       |       | 21          | 18874 |       |      | 69.15 | 0.90  |             |       | F 157       | 4     | 31    | 21413 | 47.07       | 0.79  | F 157 | 4     | 24          | 16655 | 61.02 | 1.02  | 28          | 14442 | 52.91 | 1.17  | 31    | 12848 | 47.07       | 1.32  | 36          | 11074 | 40.57 | 1.53  | 45    | 8999  | 32.97       | 1.88  | 53          | 7632  | 27.96 | 2.2   | 36          | 18456 | 40.57       | 0.92  | 45          | 14999 | 32.97       | 1.13  | 53          | 12719 | 27.96       | 1.33 | 58    | 11569 | 25.43       | 1.22  |       |       | 67    | 10081 | 22.16       | 1.68  |       |       | 75          | 8994  |       |      | 19.77 | 1.78  | 88          | 7665  |       |       |       |       | 16.85       | 2.2   | 106   | 6351  |       |      |       |       | 13.96       | 2.5   | 124         | 5423  |       |      | 11.92 | 2.8   | 58          | 11600 |       |       | 25.50 | 0.97  | 69          | 9803  |       |      | 21.55 | 1.2   |       |      | 78          | 8648  | 19.01 | 1.2  |       |      | 90    | 7497  | 16.48 | 1.4  |       |       | 101         | 6674  | 14.67 | 1.5  |       |      | 117         | 5750  | 12.64 | 1.6  | 144         | 4672  | 10.27       | 1.9   | 169         | 3985 |       |      | 8.76        | 1.7   | 190         | 3544 |       |      |       |       | 7.79  | 1.6   | 220         | 3057  |       |      |       |       |       |       | 6.72        | 2.2   |       |      | 271         | 2484  |       |      | 5.46        | 2.3   | 320         | 2106 |       |       | 4.63  | 2.7   | <b>45kW</b> |       |       |      |       |       |       |      | <b>75kW</b> |       |       |       |       |      | 30    | 13426 | 49.19 | 0.84  | F 127 | 4     | 58    | 11600 | 25.50 | 0.97 | F 127 | 4    | 35    | 11595 | 42.48 | 0.97  | 39    | 10255 | 37.57 | 1.10  | 47    | 8620 | 31.58 | 1.31 | 58    | 6960 | 25.50 | 1.62 | 55    | 7391 | 26.92 | 1.08 | 60    | 6758 | 24.97 | 1.18 | 69    | 5882 | 21.55 | 1.92 | 78    | 5189 | 19.01 | 2.0  | 90    | 4498 | 16.48 | 2.3  | 101   | 4004 | 14.67 | 2.6  | 117   | 3450 | 12.64 | 2.7  | 144   | 2803 | 10.27 | 3.2  | 169   | 2391 | 8.76 | 2.8  | 190  | 2126 | 7.79 | 2.7  | 220  | 1834 | 6.72 | 3.6  |
| 120           | 3365       | 12.33    | 2.0                    | 149         | 2719    | 9.96          | 2.2        | 153         | 2634                   | 9.65        | 1.8     | 177         | 2276  | 8.34        | 2.0   | 201         | 2012  | 7.37        | 2.1   | 239         | 1692  | 6.20        | 2.6   | <b>45kW</b> |       |             |       |             |       | <b>55kW</b> |       |             |       |             |       | 27          | 12509 | 55.74       | 0.90  | F 127       | 4     | 24          | 20357 |             |       | 61.02       | 0.83  |             |       | F 157       | 4     |             |       |             |       |             |       |             |       |             |       |             |       |             |       |             |       |             |       | 15          | 22261 |             |       | 49.16       | 0.51  |             |       |             |       |             |       |             |       |             |       |             |       |             |       |             |       |             |       |             |       |             |       |             |       | 35          | 9534  |             |       |             |       | 42.48       | 1.18  | 39          | 8432  | 37.57       | 1.34  | 47          | 7087  | 31.58       | 1.59  | 58          | 5723  | 25.50       | 1.97  | 55          | 6077  | 26.92       | 1.31  | 60          | 5557  | 24.97       | 1.44  | 69          | 4836  | 21.55       | 2.3   | 78          | 4266  | 19.01       | 2.4   | 90          | 3699  | 16.48       | 2.8   | 101         | 3292  | 14.67       | 3.1   | 117         | 2837  | 12.64       | 3.3   | 144   | 2305  | 10.27       | 3.9   | 169   | 1966  | 8.76  | 3.3   | 190   | 1748  | 7.79  | 3.2   | 24    | 20357 | 61.02 | 0.83  | 28    | 17651 | 52.91 | 0.96  | 31    | 15703 | 47.07 | 1.08  | 36    | 13534 | 40.57 | 1.25  | 45    | 10999 | 32.97 | 1.54  | 53          | 9328  | 27.96 | 1.81 | 58          | 8484  | 25.43       | 1.66 | 67          | 7393  | 22.16       | 2.3   | 75          | 6595  | 19.77       | 2.4  | 88          | 5621  | 16.85       | 3.0   | <b>45kW</b> |       |             |       |             |       | <b>55kW</b> |       |             |       |             |       | 54          | 6156  | 27.43       | 1.20  | F 107       | 4     | 39          | 12534 |             |       |             |       | 37.57       | 0.90  |             |       |             |       | F 127       | 4     |             |       |             |       |       |       |             |       |             |       |             |       |       |       |             |       |             |       |             |       |       |       |             |       |             |       |       |       |       |       |             |       |             |       |       |       |             |       |             |      | 58    | 5680  |             |       | 25.31       | 1.30  |       |      | 68          | 4883  | 21.76       | 1.51  | 77          | 4309  | 19.20       | 1.7   | 89          | 3721  | 16.58       | 2.0   | 101         | 3292  | 14.67       | 2.2   | 120         | 2767  | 12.33       | 2.4   | 149         | 2235  | 9.96        | 2.7   | 153         | 2166  | 9.65        | 2.1   | 177   | 1872  | 8.34        | 2.4   | 201   | 1654  | 7.37  | 2.6   | 239   | 1391  | 6.20  | 3.1   | 47    | 10535 | 31.58 | 1.07  | 58    | 8507  | 25.5  | 1.33 | 69          | 7189  | 21.55 | 1.57  | 78          | 6342  | 19.01       | 1.63  | 90          | 5498  | 16.48       | 1.88  | 101         | 4894  | 14.67       | 2.1   | 117   | 4217  | 12.64       | 2.2   | 144   | 3426  | 10.27 | 2.6   | 169         | 2922  | 8.76        | 2.3   | 190         | 2599  |             |      | 7.79        | 2.2   | 220         | 2242 |             |       | 6.72        | 2.9   | 271         | 1821  |             |       | 5.46        | 3.1   | 320         | 1545  |             |       | 4.63        | 3.7   | <b>45kW</b> |       |             |       |             |       | <b>75kW</b> |       |             |       |             |       | 21          | 18874 | 69.15       | 0.90  |             |       |             |       |             |       |       |       |             |       |             |       | F 157       | 4     |       |       | 31          | 21413 |             |       |       |       |       |       | 47.07       | 0.79  |       |      | F 157 | 4     |             |       |             |       | 24    | 16655 | 61.02       | 1.02  |       |       | 28          | 14442 | 52.91 | 1.17  | 31          | 12848 | 47.07 | 1.32  | 36    | 11074 | 40.57       | 1.53  | 45          | 8999  | 32.97 | 1.88  | 53    | 7632  | 27.96       | 2.2   | 36          | 18456 | 40.57 | 0.92  | 45          | 14999 | 32.97       | 1.13  | 53          | 12719 | 27.96       | 1.33  | 58          | 11569 | 25.43       | 1.22 | 67    | 10081 | 22.16       | 1.68  |       |       | 75    | 8994  | 19.77       | 1.78  |       |       | 88          | 7665  |       |      | 16.85 | 2.2   | 106         | 6351  |       |       |       |       | 13.96       | 2.5   | 124   | 5423  |       |      |       |       | 11.92       | 2.8   | 58          | 11600 |       |      | 25.50 | 0.97  | 69          | 9803  |       |       | 21.55 | 1.2   | 78          | 8648  |       |      | 19.01 | 1.2   |       |      | 90          | 7497  | 16.48 | 1.4  |       |      | 101   | 6674  | 14.67 | 1.5  |       |       | 117         | 5750  | 12.64 | 1.6  |       |      | 144         | 4672  | 10.27 | 1.9  | 169         | 3985  | 8.76        | 1.7   | 190         | 3544 |       |      | 7.79        | 1.6   | 220         | 3057 |       |      |       |       | 6.72  | 2.2   | 271         | 2484  |       |      |       |       |       |       | 5.46        | 2.3   |       |      | 320         | 2106  |       |      | 4.63        | 2.7   | <b>45kW</b> |      |       |       |       |       | <b>75kW</b> |       |       |      |       |       |       |      | 30          | 13426 | 49.19 | 0.84  |       |      | F 127 | 4     | 58    | 11600 |       |       | 25.50 | 0.97  | F 127 | 4    |       |      | 35    | 11595 | 42.48 | 0.97  | 39    | 10255 | 37.57 | 1.10  | 47    | 8620 | 31.58 | 1.31 | 58    | 6960 | 25.50 | 1.62 | 55    | 7391 | 26.92 | 1.08 | 60    | 6758 | 24.97 | 1.18 | 69    | 5882 | 21.55 | 1.92 | 78    | 5189 | 19.01 | 2.0  | 90    | 4498 | 16.48 | 2.3  | 101   | 4004 | 14.67 | 2.6  | 117   | 3450 | 12.64 | 2.7  | 144   | 2803 | 10.27 | 3.2  | 169   | 2391 | 8.76 | 2.8  | 190  | 2126 | 7.79 | 2.7  | 220  | 1834 | 6.72 | 3.6  |
| 149           | 2719       | 9.96     | 2.2                    | 153         | 2634    | 9.65          | 1.8        | 177         | 2276                   | 8.34        | 2.0     | 201         | 2012  | 7.37        | 2.1   | 239         | 1692  | 6.20        | 2.6   | <b>45kW</b> |       |             |       |             |       | <b>55kW</b> |       |             |       |             |       | 27          | 12509 | 55.74       | 0.90  | F 127       | 4     | 24          | 20357 |             |       | 61.02       | 0.83  |             |       | F 157       | 4     |             |       |             |       |             |       |             |       |             |       |             |       |             |       |             |       |             |       |             |       |             |       | 15          | 22261 |             |       | 49.16       | 0.51  |             |       |             |       |             |       |             |       |             |       |             |       |             |       |             |       |             |       |             |       | 35          | 9534  |             |       | 42.48       | 1.18  |             |       | 39          | 8432  | 37.57       | 1.34  | 47          | 7087  | 31.58       | 1.59  | 58          | 5723  | 25.50       | 1.97  | 55          | 6077  | 26.92       | 1.31  | 60          | 5557  | 24.97       | 1.44  | 69          | 4836  | 21.55       | 2.3   | 78          | 4266  | 19.01       | 2.4   | 90          | 3699  | 16.48       | 2.8   | 101         | 3292  | 14.67       | 3.1   | 117         | 2837  | 12.64       | 3.3   | 144         | 2305  | 10.27       | 3.9   | 169   | 1966  | 8.76        | 3.3   | 190   | 1748  | 7.79  | 3.2   | 24    | 20357 | 61.02 | 0.83  | 28    | 17651 | 52.91 | 0.96  | 31    | 15703 | 47.07 | 1.08  | 36    | 13534 | 40.57 | 1.25  | 45    | 10999 | 32.97 | 1.54  | 53    | 9328  | 27.96 | 1.81  | 58          | 8484  | 25.43 | 1.66 | 67          | 7393  | 22.16       | 2.3  | 75          | 6595  | 19.77       | 2.4   | 88          | 5621  | 16.85       | 3.0  | <b>45kW</b> |       |             |       |             |       | <b>55kW</b> |       |             |       |             |       | 54          | 6156  | 27.43       | 1.20  | F 107       | 4     | 39          | 12534 |             |       | 37.57       | 0.90  |             |       |             |       | F 127       | 4     | 58          | 5680  |             |       |             |       |             |       | 25.31       | 1.30  |       |       |             |       |             |       |             |       |       |       |             |       |             |       |             |       |       |       |             |       |             |       |       |       |       |       |             |       |             |       |       |       |             |       |             |      | 68    | 4883  |             |       | 21.76       | 1.51  |       |      | 77          | 4309  | 19.20       | 1.7   | 89          | 3721  | 16.58       | 2.0   | 101         | 3292  | 14.67       | 2.2   | 120         | 2767  | 12.33       | 2.4   | 149         | 2235  | 9.96        | 2.7   | 153         | 2166  | 9.65        | 2.1   | 177         | 1872  | 8.34        | 2.4   | 201   | 1654  | 7.37        | 2.6   | 239   | 1391  | 6.20  | 3.1   | 47    | 10535 | 31.58 | 1.07  | 58    | 8507  | 25.5  | 1.33  | 69    | 7189  | 21.55 | 1.57 | 78          | 6342  | 19.01 | 1.63  | 90          | 5498  | 16.48       | 1.88  | 101         | 4894  | 14.67       | 2.1   | 117         | 4217  | 12.64       | 2.2   | 144   | 3426  | 10.27       | 2.6   | 169   | 2922  | 8.76  | 2.3   | 190         | 2599  | 7.79        | 2.2   | 220         | 2242  | 6.72        | 2.9  | 271         | 1821  | 5.46        | 3.1  |             |       | 320         | 1545  | 4.63        | 3.7   |             |       | <b>45kW</b> |       |             |       |             |       | <b>75kW</b> |       |             |       |             |       | 21          | 18874 | 69.15       | 0.90  | F 157       | 4     |             |       | 31          | 21413 | 47.07       | 0.79  | F 157       | 4     |             |       |             |       |       |       |             |       |             |       |             |       |       |       | 24          | 16655 |             |       |       |       |       |       | 61.02       | 1.02  |       |      |       |       |             |       |             |       | 28    | 14442 | 52.91       | 1.17  |       |       | 31          | 12848 | 47.07 | 1.32  | 36          | 11074 | 40.57 | 1.53  | 45    | 8999  | 32.97       | 1.88  | 53          | 7632  | 27.96 | 2.2   | 36    | 18456 | 40.57       | 0.92  | 45          | 14999 | 32.97 | 1.13  | 53          | 12719 | 27.96       | 1.33  | 58          | 11569 | 25.43       | 1.22  | 67          | 10081 | 22.16       | 1.68 | 75    | 8994  | 19.77       | 1.78  |       |       | 88    | 7665  | 16.85       | 2.2   |       |       | 106         | 6351  |       |      | 13.96 | 2.5   | 124         | 5423  |       |       |       |       | 11.92       | 2.8   | 58    | 11600 |       |      |       |       | 25.50       | 0.97  | 69          | 9803  |       |      | 21.55 | 1.2   | 78          | 8648  |       |       | 19.01 | 1.2   | 90          | 7497  |       |      | 16.48 | 1.4   |       |      | 101         | 6674  | 14.67 | 1.5  |       |      | 117   | 5750  | 12.64 | 1.6  |       |       | 144         | 4672  | 10.27 | 1.9  |       |      | 169         | 3985  | 8.76  | 1.7  | 190         | 3544  | 7.79        | 1.6   | 220         | 3057 |       |      | 6.72        | 2.2   | 271         | 2484 |       |      |       |       | 5.46  | 2.3   | 320         | 2106  |       |      |       |       |       |       | 4.63        | 2.7   |       |      | <b>45kW</b> |       |       |      |             |       | <b>75kW</b> |      |       |       |       |       | 30          | 13426 |       |      | 49.19 | 0.84  |       |      | F 127       | 4     | 58    | 11600 |       |      |       |       | 25.50 | 0.97  |       |       | F 127 | 4     |       |      |       |      | 35    | 11595 | 42.48 | 0.97  | 39    | 10255 | 37.57 | 1.10  | 47    | 8620 | 31.58 | 1.31 | 58    | 6960 | 25.50 | 1.62 | 55    | 7391 | 26.92 | 1.08 | 60    | 6758 | 24.97 | 1.18 | 69    | 5882 | 21.55 | 1.92 | 78    | 5189 | 19.01 | 2.0  | 90    | 4498 | 16.48 | 2.3  | 101   | 4004 | 14.67 | 2.6  | 117   | 3450 | 12.64 | 2.7  | 144   | 2803 | 10.27 | 3.2  | 169   | 2391 | 8.76 | 2.8  | 190  | 2126 | 7.79 | 2.7  | 220  | 1834 | 6.72 | 3.6  |
| 153           | 2634       | 9.65     | 1.8                    | 177         | 2276    | 8.34          | 2.0        | 201         | 2012                   | 7.37        | 2.1     | 239         | 1692  | 6.20        | 2.6   | <b>45kW</b> |       |             |       |             |       | <b>55kW</b> |       |             |       |             |       | 27          | 12509 | 55.74       | 0.90  | F 127       | 4     | 24          | 20357 |             |       | 61.02       | 0.83  |             |       | F 157       | 4     |             |       |             |       |             |       |             |       |             |       |             |       |             |       |             |       |             |       |             |       |             |       |             |       |             |       | 15          | 22261 |             |       | 49.16       | 0.51  |             |       |             |       |             |       |             |       |             |       |             |       |             |       |             |       | 35          | 9534  |             |       | 42.48       | 1.18  |             |       | 39          | 8432  | 37.57       | 1.34  | 47          | 7087  | 31.58       | 1.59  | 58          | 5723  | 25.50       | 1.97  | 55          | 6077  | 26.92       | 1.31  | 60          | 5557  | 24.97       | 1.44  | 69          | 4836  | 21.55       | 2.3   | 78          | 4266  | 19.01       | 2.4   | 90          | 3699  | 16.48       | 2.8   | 101         | 3292  | 14.67       | 3.1   | 117         | 2837  | 12.64       | 3.3   | 144         | 2305  | 10.27       | 3.9   | 169         | 1966  | 8.76        | 3.3   | 190   | 1748  | 7.79        | 3.2   | 24    | 20357 | 61.02 | 0.83  | 28    | 17651 | 52.91 | 0.96  | 31    | 15703 | 47.07 | 1.08  | 36    | 13534 | 40.57 | 1.25  | 45    | 10999 | 32.97 | 1.54  | 53    | 9328  | 27.96 | 1.81  | 58    | 8484  | 25.43 | 1.66  | 67          | 7393  | 22.16 | 2.3  | 75          | 6595  | 19.77       | 2.4  | 88          | 5621  | 16.85       | 3.0   | <b>45kW</b> |       |             |      |             |       | <b>55kW</b> |       |             |       |             |       | 54          | 6156  | 27.43       | 1.20  | F 107       | 4     | 39          | 12534 |             |       | 37.57       | 0.90  |             |       | F 127       | 4     |             |       |             |       |             |       | 58          | 5680  | 25.31       | 1.30  |             |       |             |       | 68          | 4883  |       |       | 21.76       | 1.51  |             |       |             |       |       |       |             |       |             |       |             |       |       |       |             |       |             |       |       |       |       |       |             |       |             |       |       |       |             |       |             |      | 77    | 4309  |             |       | 19.20       | 1.7   |       |      | 89          | 3721  | 16.58       | 2.0   | 101         | 3292  | 14.67       | 2.2   | 120         | 2767  | 12.33       | 2.4   | 149         | 2235  | 9.96        | 2.7   | 153         | 2166  | 9.65        | 2.1   | 177         | 1872  | 8.34        | 2.4   | 201         | 1654  | 7.37        | 2.6   | 239   | 1391  | 6.20        | 3.1   | 47    | 10535 | 31.58 | 1.07  | 58    | 8507  | 25.5  | 1.33  | 69    | 7189  | 21.55 | 1.57  | 78    | 6342  | 19.01 | 1.63 | 90          | 5498  | 16.48 | 1.88  | 101         | 4894  | 14.67       | 2.1   | 117         | 4217  | 12.64       | 2.2   | 144         | 3426  | 10.27       | 2.6   | 169   | 2922  | 8.76        | 2.3   | 190   | 2599  | 7.79  | 2.2   | 220         | 2242  | 6.72        | 2.9   | 271         | 1821  | 5.46        | 3.1  | 320         | 1545  | 4.63        | 3.7  | <b>45kW</b> |       |             |       |             |       |             |       | <b>75kW</b> |       |             |       |             |       | 21          | 18874 | 69.15       | 0.90  |             |       | F 157       | 4     | 31          | 21413 |             |       |             |       | 47.07       | 0.79  | F 157       | 4     |             |       | 24          | 16655 |             |       |       |       |             |       |             |       |             |       |       |       | 61.02       | 1.02  |             |       |       |       |       |       | 28          | 14442 |       |      |       |       |             |       |             |       | 52.91 | 1.17  | 31          | 12848 |       |       | 47.07       | 1.32  | 36    | 11074 | 40.57       | 1.53  | 45    | 8999  | 32.97 | 1.88  | 53          | 7632  | 27.96       | 2.2   | 36    | 18456 | 40.57 | 0.92  | 45          | 14999 | 32.97       | 1.13  | 53    | 12719 | 27.96       | 1.33  | 58          | 11569 | 25.43       | 1.22  | 67          | 10081 | 22.16       | 1.68  | 75          | 8994 | 19.77 | 1.78  | 88          | 7665  |       |       | 16.85 | 2.2   | 106         | 6351  |       |       | 13.96       | 2.5   |       |      | 124   | 5423  | 11.92       | 2.8   |       |       |       |       | 58          | 11600 | 25.50 | 0.97  |       |      |       |       | 69          | 9803  | 21.55       | 1.2   |       |      | 78    | 8648  | 19.01       | 1.2   |       |       | 90    | 7497  | 16.48       | 1.4   |       |      | 101   | 6674  |       |      | 14.67       | 1.5   | 117   | 5750 |       |      | 12.64 | 1.6   | 144   | 4672 |       |       | 10.27       | 1.9   | 169   | 3985 |       |      | 8.76        | 1.7   | 190   | 3544 | 7.79        | 1.6   | 220         | 3057  | 6.72        | 2.2  |       |      | 271         | 2484  | 5.46        | 2.3  |       |      |       |       | 320   | 2106  | 4.63        | 2.7   |       |      |       |       |       |       | <b>45kW</b> |       |       |      |             |       |       |      | <b>75kW</b> |       |             |      |       |       | 30    | 13426 | 49.19       | 0.84  |       |      | F 127 | 4     |       |      |             |       | 58    | 11600 |       |      |       |       | 25.50 | 0.97  |       |       |       |       |       |      |       |      | F 127 | 4     | 35    | 11595 | 42.48 | 0.97  | 39    | 10255 | 37.57 | 1.10 | 47    | 8620 | 31.58 | 1.31 | 58    | 6960 | 25.50 | 1.62 | 55    | 7391 | 26.92 | 1.08 | 60    | 6758 | 24.97 | 1.18 | 69    | 5882 | 21.55 | 1.92 | 78    | 5189 | 19.01 | 2.0  | 90    | 4498 | 16.48 | 2.3  | 101   | 4004 | 14.67 | 2.6  | 117   | 3450 | 12.64 | 2.7  | 144   | 2803 | 10.27 | 3.2  | 169  | 2391 | 8.76 | 2.8  | 190  | 2126 | 7.79 | 2.7  | 220  | 1834 |
| 177           | 2276       | 8.34     | 2.0                    | 201         | 2012    | 7.37          | 2.1        | 239         | 1692                   | 6.20        | 2.6     | <b>45kW</b> |       |             |       |             |       | <b>55kW</b> |       |             |       |             |       | 27          | 12509 | 55.74       | 0.90  | F 127       | 4     | 24          | 20357 |             |       | 61.02       | 0.83  |             |       | F 157       | 4     |             |       |             |       |             |       |             |       |             |       |             |       |             |       |             |       |             |       |             |       |             |       |             |       |             |       |             |       |             |       | 15          | 22261 |             |       | 49.16       | 0.51  |             |       |             |       |             |       |             |       |             |       |             |       | 35          | 9534  |             |       | 42.48       | 1.18  |             |       | 39          | 8432  | 37.57       | 1.34  | 47          | 7087  | 31.58       | 1.59  | 58          | 5723  | 25.50       | 1.97  | 55          | 6077  | 26.92       | 1.31  | 60          | 5557  | 24.97       | 1.44  | 69          | 4836  | 21.55       | 2.3   | 78          | 4266  | 19.01       | 2.4   | 90          | 3699  | 16.48       | 2.8   | 101         | 3292  | 14.67       | 3.1   | 117         | 2837  | 12.64       | 3.3   | 144         | 2305  | 10.27       | 3.9   | 169         | 1966  | 8.76        | 3.3   | 190         | 1748  | 7.79        | 3.2   | 24    | 20357 | 61.02       | 0.83  | 28    | 17651 | 52.91 | 0.96  | 31    | 15703 | 47.07 | 1.08  | 36    | 13534 | 40.57 | 1.25  | 45    | 10999 | 32.97 | 1.54  | 53    | 9328  | 27.96 | 1.81  | 58    | 8484  | 25.43 | 1.66  | 67    | 7393  | 22.16 | 2.3   | 75          | 6595  | 19.77 | 2.4  | 88          | 5621  | 16.85       | 3.0  | <b>45kW</b> |       |             |       |             |       | <b>55kW</b> |      |             |       |             |       | 54          | 6156  | 27.43       | 1.20  | F 107       | 4     | 39          | 12534 |             |       | 37.57       | 0.90  |             |       | F 127       | 4     |             |       |             |       |             |       |             |       |             |       | 58          | 5680  | 25.31       | 1.30  |             |       | 68          | 4883  | 21.76       | 1.51  |       |       | 77          | 4309  |             |       | 19.20       | 1.7   |       |       |             |       |             |       |             |       |       |       |             |       |             |       |       |       |       |       |             |       |             |       |       |       |             |       |             |      | 89    | 3721  |             |       | 16.58       | 2.0   |       |      | 101         | 3292  | 14.67       | 2.2   | 120         | 2767  | 12.33       | 2.4   | 149         | 2235  | 9.96        | 2.7   | 153         | 2166  | 9.65        | 2.1   | 177         | 1872  | 8.34        | 2.4   | 201         | 1654  | 7.37        | 2.6   | 239         | 1391  | 6.20        | 3.1   | 47    | 10535 | 31.58       | 1.07  | 58    | 8507  | 25.5  | 1.33  | 69    | 7189  | 21.55 | 1.57  | 78    | 6342  | 19.01 | 1.63  | 90    | 5498  | 16.48 | 1.88 | 101         | 4894  | 14.67 | 2.1   | 117         | 4217  | 12.64       | 2.2   | 144         | 3426  | 10.27       | 2.6   | 169         | 2922  | 8.76        | 2.3   | 190   | 2599  | 7.79        | 2.2   | 220   | 2242  | 6.72  | 2.9   | 271         | 1821  | 5.46        | 3.1   | 320         | 1545  | 4.63        | 3.7  | <b>45kW</b> |       |             |      |             |       | <b>75kW</b> |       |             |       |             |       | 21          | 18874 | 69.15       | 0.90  |             |       | F 157       | 4     | 31          | 21413 |             |       |             |       | 47.07       | 0.79  |             |       |             |       | F 157       | 4     |             |       |             |       | 24          | 16655 | 61.02       | 1.02  |       |       |             |       |             |       |             |       |       |       | 28          | 14442 |             |       |       |       |       |       | 52.91       | 1.17  |       |      |       |       |             |       |             |       | 31    | 12848 | 47.07       | 1.32  |       |       | 36          | 11074 | 40.57 | 1.53  | 45          | 8999  | 32.97 | 1.88  | 53    | 7632  | 27.96       | 2.2   | 36          | 18456 | 40.57 | 0.92  | 45    | 14999 | 32.97       | 1.13  | 53          | 12719 | 27.96 | 1.33  | 58          | 11569 | 25.43       | 1.22  | 67          | 10081 | 22.16       | 1.68  | 75          | 8994  | 19.77       | 1.78 | 88    | 7665  | 16.85       | 2.2   |       |       | 106   | 6351  | 13.96       | 2.5   |       |       | 124         | 5423  |       |      | 11.92 | 2.8   | 58          | 11600 |       |       |       |       | 25.50       | 0.97  | 69    | 9803  |       |      |       |       | 21.55       | 1.2   | 78          | 8648  |       |      | 19.01 | 1.2   | 90          | 7497  |       |       | 16.48 | 1.4   | 101         | 6674  |       |      | 14.67 | 1.5   |       |      | 117         | 5750  | 12.64 | 1.6  |       |      | 144   | 4672  | 10.27 | 1.9  |       |       | 169         | 3985  | 8.76  | 1.7  |       |      | 190         | 3544  | 7.79  | 1.6  | 220         | 3057  | 6.72        | 2.2   | 271         | 2484 |       |      | 5.46        | 2.3   | 320         | 2106 |       |      |       |       | 4.63  | 2.7   | <b>45kW</b> |       |       |      |       |       |       |       | <b>75kW</b> |       |       |      |             |       |       |      | 30          | 13426 | 49.19       | 0.84 |       |       | F 127 | 4     | 58          | 11600 |       |      |       |       |       |      |             |       | 25.50 | 0.97  |       |      |       |       | F 127 | 4     |       |       |       |       |       |      |       |      |       |       | 35    | 11595 | 42.48 | 0.97  | 39    | 10255 | 37.57 | 1.10 | 47    | 8620 | 31.58 | 1.31 | 58    | 6960 | 25.50 | 1.62 | 55    | 7391 | 26.92 | 1.08 | 60    | 6758 | 24.97 | 1.18 | 69    | 5882 | 21.55 | 1.92 | 78    | 5189 | 19.01 | 2.0  | 90    | 4498 | 16.48 | 2.3  | 101   | 4004 | 14.67 | 2.6  | 117   | 3450 | 12.64 | 2.7  | 144   | 2803 | 10.27 | 3.2  | 169  | 2391 | 8.76 | 2.8  | 190  | 2126 | 7.79 | 2.7  | 220  | 1834 |
| 201           | 2012       | 7.37     | 2.1                    | 239         | 1692    | 6.20          | 2.6        | <b>45kW</b> |                        |             |         |             |       | <b>55kW</b> |       |             |       |             |       | 27          | 12509 | 55.74       | 0.90  | F 127       | 4     | 24          | 20357 |             |       | 61.02       | 0.83  |             |       | F 157       | 4     |             |       |             |       |             |       |             |       |             |       |             |       |             |       |             |       |             |       |             |       |             |       |             |       |             |       |             |       |             |       |             |       |             |       | 15          | 22261 |             |       | 49.16       | 0.51  |             |       |             |       |             |       |             |       | 35          | 9534  |             |       | 42.48       | 1.18  |             |       | 39          | 8432  | 37.57       | 1.34  | 47          | 7087  | 31.58       | 1.59  | 58          | 5723  | 25.50       | 1.97  | 55          | 6077  | 26.92       | 1.31  | 60          | 5557  | 24.97       | 1.44  | 69          | 4836  | 21.55       | 2.3   | 78          | 4266  | 19.01       | 2.4   | 90          | 3699  | 16.48       | 2.8   | 101         | 3292  | 14.67       | 3.1   | 117         | 2837  | 12.64       | 3.3   | 144         | 2305  | 10.27       | 3.9   | 169         | 1966  | 8.76        | 3.3   | 190         | 1748  | 7.79        | 3.2   | 24          | 20357 | 61.02       | 0.83  | 28    | 17651 | 52.91       | 0.96  | 31    | 15703 | 47.07 | 1.08  | 36    | 13534 | 40.57 | 1.25  | 45    | 10999 | 32.97 | 1.54  | 53    | 9328  | 27.96 | 1.81  | 58    | 8484  | 25.43 | 1.66  | 67    | 7393  | 22.16 | 2.3   | 75    | 6595  | 19.77 | 2.4   | 88          | 5621  | 16.85 | 3.0  | <b>45kW</b> |       |             |      |             |       | <b>55kW</b> |       |             |       |             |      | 54          | 6156  | 27.43       | 1.20  | F 107       | 4     | 39          | 12534 |             |       | 37.57       | 0.90  |             |       | F 127       | 4     |             |       |             |       |             |       |             |       |             |       |             |       |             |       | 58          | 5680  | 25.31       | 1.30  |             |       | 68          | 4883  | 21.76       | 1.51  | 77    | 4309  | 19.20       | 1.7   |             |       | 89          | 3721  |       |       | 16.58       | 2.0   |             |       |             |       |       |       |             |       |             |       |       |       |       |       |             |       |             |       |       |       |             |       |             |      | 101   | 3292  |             |       | 14.67       | 2.2   |       |      | 120         | 2767  | 12.33       | 2.4   | 149         | 2235  | 9.96        | 2.7   | 153         | 2166  | 9.65        | 2.1   | 177         | 1872  | 8.34        | 2.4   | 201         | 1654  | 7.37        | 2.6   | 239         | 1391  | 6.20        | 3.1   | 47          | 10535 | 31.58       | 1.07  | 58    | 8507  | 25.5        | 1.33  | 69    | 7189  | 21.55 | 1.57  | 78    | 6342  | 19.01 | 1.63  | 90    | 5498  | 16.48 | 1.88  | 101   | 4894  | 14.67 | 2.1  | 117         | 4217  | 12.64 | 2.2   | 144         | 3426  | 10.27       | 2.6   | 169         | 2922  | 8.76        | 2.3   | 190         | 2599  | 7.79        | 2.2   | 220   | 2242  | 6.72        | 2.9   | 271   | 1821  | 5.46  | 3.1   | 320         | 1545  | 4.63        | 3.7   | <b>45kW</b> |       |             |      |             |       | <b>75kW</b> |      |             |       |             |       | 21          | 18874 | 69.15       | 0.90  | F 157       | 4     | 31          | 21413 | 47.07       | 0.79  |             |       | F 157       | 4     |             |       |             |       | 24          | 16655 |             |       |             |       |             |       |             |       |             |       | 61.02       | 1.02  | 28          | 14442 |       |       | 52.91       | 1.17  |             |       |             |       |       |       | 31          | 12848 |             |       |       |       |       |       | 47.07       | 1.32  |       |      |       |       |             |       |             |       | 36    | 11074 | 40.57       | 1.53  |       |       | 45          | 8999  | 32.97 | 1.88  | 53          | 7632  | 27.96 | 2.2   | 36    | 18456 | 40.57       | 0.92  | 45          | 14999 | 32.97 | 1.13  | 53    | 12719 | 27.96       | 1.33  | 58          | 11569 | 25.43 | 1.22  | 67          | 10081 | 22.16       | 1.68  | 75          | 8994  | 19.77       | 1.78  | 88          | 7665  | 16.85       | 2.2  | 106   | 6351  | 13.96       | 2.5   | 124   | 5423  | 11.92 | 2.8   | 58          | 11600 | 25.50 | 0.97  | 69          | 9803  |       |      | 21.55 | 1.2   | 78          | 8648  |       |       |       |       | 19.01       | 1.2   | 90    | 7497  |       |      |       |       | 16.48       | 1.4   | 101         | 6674  |       |      | 14.67 | 1.5   | 117         | 5750  |       |       | 12.64 | 1.6   | 144         | 4672  |       |      | 10.27 | 1.9   |       |      | 169         | 3985  | 8.76  | 1.7  |       |      | 190   | 3544  | 7.79  | 1.6  |       |       | 220         | 3057  | 6.72  | 2.2  |       |      | 271         | 2484  | 5.46  | 2.3  | 320         | 2106  | 4.63        | 2.7   | <b>45kW</b> |      |       |      |             |       | <b>75kW</b> |      |       |      |       |       | 30    | 13426 | 49.19       | 0.84  |       |      |       |       |       |       | F 127       | 4     |       |      | 58          | 11600 |       |      | 25.50       | 0.97  | F 127       | 4    |       |       |       |       | 35          | 11595 |       |      |       |       |       |      |             |       | 42.48 | 0.97  |       |      |       |       |       |       |       |       |       |       |       |      |       |      |       |       | 39    | 10255 | 37.57 | 1.10  | 47    | 8620  | 31.58 | 1.31 | 58    | 6960 | 25.50 | 1.62 | 55    | 7391 | 26.92 | 1.08 | 60    | 6758 | 24.97 | 1.18 | 69    | 5882 | 21.55 | 1.92 | 78    | 5189 | 19.01 | 2.0  | 90    | 4498 | 16.48 | 2.3  | 101   | 4004 | 14.67 | 2.6  | 117   | 3450 | 12.64 | 2.7  | 144   | 2803 | 10.27 | 3.2  | 169   | 2391 | 8.76  | 2.8  | 190  | 2126 | 7.79 | 2.7  | 220  | 1834 | 6.72 | 3.6  | 271  | 1490 |
| 239           | 1692       | 6.20     | 2.6                    |             |         |               |            |             |                        |             |         |             |       |             |       |             |       |             |       |             |       |             |       |             |       |             |       |             |       |             |       |             |       |             |       |             |       |             |       |             |       |             |       |             |       |             |       |             |       |             |       |             |       |             |       |             |       |             |       |             |       |             |       |             |       |             |       |             |       |             |       |             |       |             |       |             |       |             |       |             |       |             |       |             |       |             |       |             |       |             |       |             |       |             |       |             |       |             |       |             |       |             |       |             |       |             |       |             |       |             |       |             |       |             |       |             |       |             |       |             |       |             |       |             |       |             |       |             |       |             |       |             |       |             |       |             |       |             |       |             |       |             |       |             |       |             |       |       |       |             |       |       |       |       |       |       |       |       |       |       |       |       |       |       |       |       |       |       |       |       |       |       |       |       |       |       |       |       |       |             |       |       |      |             |       |             |      |             |       |             |       |             |       |             |      |             |       |             |       |             |       |             |       |             |       |             |       |             |       |             |       |             |       |             |       |             |       |             |       |             |       |             |       |             |       |             |       |             |       |             |       |             |       |             |       |       |       |             |       |             |       |             |       |       |       |             |       |             |       |             |       |       |       |             |       |             |       |       |       |       |       |             |       |             |       |       |       |             |       |             |      |       |       |             |       |             |       |       |      |             |       |             |       |             |       |             |       |             |       |             |       |             |       |             |       |             |       |             |       |             |       |             |       |             |       |             |       |       |       |             |       |       |       |       |       |       |       |       |       |       |       |       |       |       |       |       |      |             |       |       |       |             |       |             |       |             |       |             |       |             |       |             |       |       |       |             |       |       |       |       |       |             |       |             |       |             |       |             |      |             |       |             |      |             |       |             |       |             |       |             |       |             |       |             |       |             |       |             |       |             |       |             |       |             |       |             |       |             |       |             |       |             |       |             |       |             |       |             |       |             |       |       |       |             |       |             |       |             |       |       |       |             |       |             |       |       |       |       |       |             |       |       |      |       |       |             |       |             |       |       |       |             |       |       |       |             |       |       |       |             |       |       |       |       |       |             |       |             |       |       |       |       |       |             |       |             |       |       |       |             |       |             |       |             |       |             |       |             |       |             |      |       |       |             |       |       |       |       |       |             |       |       |       |             |       |       |      |       |       |             |       |       |       |       |       |             |       |       |       |       |      |       |       |             |       |             |       |       |      |       |       |             |       |       |       |       |       |             |       |       |      |       |       |       |      |             |       |       |      |       |      |       |       |       |      |       |       |             |       |       |      |       |      |             |       |       |      |             |       |             |       |             |      |       |      |             |       |             |      |       |      |       |       |       |       |             |       |       |      |       |       |       |       |             |       |       |      |             |       |       |      |             |       |             |      |       |       |       |       |             |       |       |      |       |       |       |      |             |       |       |       |       |      |       |       |       |       |       |       |       |       |       |      |       |      |       |       |       |       |       |       |       |       |       |      |       |      |       |      |       |      |       |      |       |      |       |      |       |      |       |      |       |      |       |      |       |      |       |      |       |      |       |      |       |      |       |      |       |      |       |      |       |      |       |      |      |      |      |      |      |      |      |      |      |      |
| <b>45kW</b>   |            |          |                        |             |         | <b>55kW</b>   |            |             |                        |             |         |             |       |             |       |             |       |             |       |             |       |             |       |             |       |             |       |             |       |             |       |             |       |             |       |             |       |             |       |             |       |             |       |             |       |             |       |             |       |             |       |             |       |             |       |             |       |             |       |             |       |             |       |             |       |             |       |             |       |             |       |             |       |             |       |             |       |             |       |             |       |             |       |             |       |             |       |             |       |             |       |             |       |             |       |             |       |             |       |             |       |             |       |             |       |             |       |             |       |             |       |             |       |             |       |             |       |             |       |             |       |             |       |             |       |             |       |             |       |             |       |             |       |             |       |             |       |             |       |             |       |             |       |             |       |             |       |       |       |             |       |       |       |       |       |       |       |       |       |       |       |       |       |       |       |       |       |       |       |       |       |       |       |       |       |       |       |       |       |             |       |       |      |             |       |             |      |             |       |             |       |             |       |             |      |             |       |             |       |             |       |             |       |             |       |             |       |             |       |             |       |             |       |             |       |             |       |             |       |             |       |             |       |             |       |             |       |             |       |             |       |             |       |             |       |       |       |             |       |             |       |             |       |       |       |             |       |             |       |             |       |       |       |             |       |             |       |       |       |       |       |             |       |             |       |       |       |             |       |             |      |       |       |             |       |             |       |       |      |             |       |             |       |             |       |             |       |             |       |             |       |             |       |             |       |             |       |             |       |             |       |             |       |             |       |             |       |       |       |             |       |       |       |       |       |       |       |       |       |       |       |       |       |       |       |       |      |             |       |       |       |             |       |             |       |             |       |             |       |             |       |             |       |       |       |             |       |       |       |       |       |             |       |             |       |             |       |             |      |             |       |             |      |             |       |             |       |             |       |             |       |             |       |             |       |             |       |             |       |             |       |             |       |             |       |             |       |             |       |             |       |             |       |             |       |             |       |             |       |             |       |       |       |             |       |             |       |             |       |       |       |             |       |             |       |       |       |       |       |             |       |       |      |       |       |             |       |             |       |       |       |             |       |       |       |             |       |       |       |             |       |       |       |       |       |             |       |             |       |       |       |       |       |             |       |             |       |       |       |             |       |             |       |             |       |             |       |             |       |             |      |       |       |             |       |       |       |       |       |             |       |       |       |             |       |       |      |       |       |             |       |       |       |       |       |             |       |       |       |       |      |       |       |             |       |             |       |       |      |       |       |             |       |       |       |       |       |             |       |       |      |       |       |       |      |             |       |       |      |       |      |       |       |       |      |       |       |             |       |       |      |       |      |             |       |       |      |             |       |             |       |             |      |       |      |             |       |             |      |       |      |       |       |       |       |             |       |       |      |       |       |       |       |             |       |       |      |             |       |       |      |             |       |             |      |       |       |       |       |             |       |       |      |       |       |       |      |             |       |       |       |       |      |       |       |       |       |       |       |       |       |       |      |       |      |       |       |       |       |       |       |       |       |       |      |       |      |       |      |       |      |       |      |       |      |       |      |       |      |       |      |       |      |       |      |       |      |       |      |       |      |       |      |       |      |       |      |       |      |       |      |       |      |       |      |      |      |      |      |      |      |      |      |      |      |
| 27            | 12509      | 55.74    | 0.90                   | F 127       | 4       | 24            | 20357      | 61.02       | 0.83                   | F 157       | 4       |             |       |             |       |             |       |             |       |             |       |             |       |             |       |             |       |             |       |             |       |             |       |             |       |             |       |             |       |             |       |             |       |             |       |             |       |             |       |             |       |             |       |             |       |             |       |             |       |             |       |             |       |             |       |             |       |             |       |             |       |             |       |             |       |             |       |             |       |             |       |             |       |             |       |             |       |             |       |             |       |             |       |             |       |             |       |             |       |             |       |             |       |             |       |             |       |             |       |             |       |             |       |             |       |             |       |             |       |             |       |             |       |             |       |             |       |             |       |             |       |             |       |             |       |             |       |             |       |             |       |             |       |             |       |             |       |       |       |             |       |       |       |       |       |       |       |       |       |       |       |       |       |       |       |       |       |       |       |       |       |       |       |       |       |       |       |       |       |             |       |       |      |             |       |             |      |             |       |             |       |             |       |             |      |             |       |             |       |             |       |             |       |             |       |             |       |             |       |             |       |             |       |             |       |             |       |             |       |             |       |             |       |             |       |             |       |             |       |             |       |             |       |             |       |       |       |             |       |             |       |             |       |       |       |             |       |             |       |             |       |       |       |             |       |             |       |       |       |       |       |             |       |             |       |       |       |             |       |             |      |       |       |             |       |             |       |       |      |             |       |             |       |             |       |             |       |             |       |             |       |             |       |             |       |             |       |             |       |             |       |             |       |             |       |             |       |       |       |             |       |       |       |       |       |       |       |       |       |       |       |       |       |       |       |       |      |             |       |       |       |             |       |             |       |             |       |             |       |             |       |             |       |       |       |             |       |       |       |       |       |             |       |             |       |             |       |             |      |             |       |             |      |             |       |             |       |             |       |             |       |             |       |             |       |             |       |             |       |             |       |             |       |             |       |             |       |             |       |             |       |             |       |             |       |             |       |             |       |             |       |       |       |             |       |             |       |             |       |       |       |             |       |             |       |       |       |       |       |             |       |       |      |       |       |             |       |             |       |       |       |             |       |       |       |             |       |       |       |             |       |       |       |       |       |             |       |             |       |       |       |       |       |             |       |             |       |       |       |             |       |             |       |             |       |             |       |             |       |             |      |       |       |             |       |       |       |       |       |             |       |       |       |             |       |       |      |       |       |             |       |       |       |       |       |             |       |       |       |       |      |       |       |             |       |             |       |       |      |       |       |             |       |       |       |       |       |             |       |       |      |       |       |       |      |             |       |       |      |       |      |       |       |       |      |       |       |             |       |       |      |       |      |             |       |       |      |             |       |             |       |             |      |       |      |             |       |             |      |       |      |       |       |       |       |             |       |       |      |       |       |       |       |             |       |       |      |             |       |       |      |             |       |             |      |       |       |       |       |             |       |       |      |       |       |       |      |             |       |       |       |       |      |       |       |       |       |       |       |       |       |       |      |       |      |       |       |       |       |       |       |       |       |       |      |       |      |       |      |       |      |       |      |       |      |       |      |       |      |       |      |       |      |       |      |       |      |       |      |       |      |       |      |       |      |       |      |       |      |       |      |       |      |       |      |      |      |      |      |      |      |      |      |      |      |
| 15            | 22261      | 49.16    | 0.51                   |             |         | 35            | 9534       | 42.48       | 1.18                   |             |         | 39          | 8432  | 37.57       | 1.34  | 47          | 7087  | 31.58       | 1.59  | 58          | 5723  | 25.50       | 1.97  |             |       | 55          | 6077  |             |       | 26.92       | 1.31  |             |       |             |       |             |       |             |       |             |       |             |       |             |       |             |       |             |       |             |       |             |       |             |       |             |       |             |       |             |       |             |       |             |       |             |       | 60          | 5557  | 24.97       | 1.44  | 69          | 4836  | 21.55       | 2.3   | 78          | 4266  | 19.01       | 2.4   | 90          | 3699  | 16.48       | 2.8   | 101         | 3292  | 14.67       | 3.1   | 117         | 2837  | 12.64       | 3.3   | 144         | 2305  | 10.27       | 3.9   | 169         | 1966  | 8.76        | 3.3   | 190         | 1748  | 7.79        | 3.2   | 24          | 20357 | 61.02       | 0.83  | 28          | 17651 | 52.91       | 0.96  | 31          | 15703 | 47.07       | 1.08  | 36          | 13534 | 40.57       | 1.25  | 45          | 10999 | 32.97       | 1.54  | 53          | 9328  | 27.96       | 1.81  | 58          | 8484  | 25.43       | 1.66  | 67          | 7393  | 22.16       | 2.3   | 75          | 6595  | 19.77       | 2.4   | 88          | 5621  | 16.85       | 3.0   | <b>45kW</b> |       |             |       |       |       | <b>55kW</b> |       |       |       |       |       | 54    | 6156  | 27.43 | 1.20  | F 107 | 4     | 39    | 12534 | 37.57 | 0.90  | F 127 | 4     | 58    | 5680  | 25.31 | 1.30  | 68    | 4883  | 21.76 | 1.51  | 77    | 4309  | 19.20 | 1.7   | 89          | 3721  | 16.58 | 2.0  | 101         | 3292  | 14.67       | 2.2  | 120         | 2767  | 12.33       | 2.4   | 149         | 2235  | 9.96        | 2.7  | 153         | 2166  | 9.65        | 2.1   |             |       | 177         | 1872  |             |       | 8.34        | 2.4   |             |       |             |       |             |       |             |       |             |       |             |       |             |       |             |       |             |       | 201         | 1654  | 7.37        | 2.6   |             |       | 239         | 1391  | 6.20        | 3.1   | 47    | 10535 | 31.58       | 1.07  | 58          | 8507  | 25.5        | 1.33  | 69    | 7189  | 21.55       | 1.57  | 78          | 6342  | 19.01       | 1.63  | 90    | 5498  | 16.48       | 1.88  |             |       | 101   | 4894  |       |       | 14.67       | 2.1   |             |       |       |       |             |       |             |      | 117   | 4217  |             |       | 12.64       | 2.2   |       |      | 144         | 3426  | 10.27       | 2.6   | 169         | 2922  | 8.76        | 2.3   | 190         | 2599  | 7.79        | 2.2   | 220         | 2242  | 6.72        | 2.9   | 271         | 1821  | 5.46        | 3.1   | 320         | 1545  | 4.63        | 3.7   | <b>45kW</b> |       |             |       |       |       | <b>75kW</b> |       |       |       |       |       | 21    | 18874 | 69.15 | 0.90  | F 157 | 4     | 31    | 21413 | 47.07 | 0.79  | F 157 | 4    | 24          | 16655 | 61.02 | 1.02  | 28          | 14442 | 52.91       | 1.17  | 31          | 12848 | 47.07       | 1.32  | 36          | 11074 | 40.57       | 1.53  | 45    | 8999  | 32.97       | 1.88  | 53    | 7632  | 27.96 | 2.2   | 36          | 18456 | 40.57       | 0.92  | 45          | 14999 | 32.97       | 1.13 | 53          | 12719 | 27.96       | 1.33 | 58          | 11569 | 25.43       | 1.22  | 67          | 10081 | 22.16       | 1.68  |             |       | 75          | 8994  | 19.77       | 1.78  |             |       |             |       | 88          | 7665  |             |       | 16.85       | 2.2   |             |       | 106         | 6351  |             |       |             |       |             |       | 13.96       | 2.5   | 124         | 5423  | 11.92 | 2.8   | 58          | 11600 | 25.50       | 0.97  | 69          | 9803  |       |       | 21.55       | 1.2   |             |       | 78    | 8648  | 19.01 | 1.2   | 90          | 7497  |       |      |       |       |             |       | 16.48       | 1.4   | 101   | 6674  | 14.67       | 1.5   |       |       | 117         | 5750  | 12.64 | 1.6   | 144         | 4672  | 10.27 | 1.9   | 169   | 3985  | 8.76        | 1.7   | 190         | 3544  | 7.79  | 1.6   | 220   | 3057  | 6.72        | 2.2   | 271         | 2484  | 5.46  | 2.3   | 320         | 2106  | 4.63        | 2.7   | <b>45kW</b> |       |             |       |             |       | <b>75kW</b> |      |       |       |             |       | 30    | 13426 | 49.19 | 0.84  | F 127       | 4     | 58    | 11600 | 25.50       | 0.97  | F 127 | 4    | 35    | 11595 | 42.48       | 0.97  | 39    | 10255 | 37.57 | 1.10  | 47          | 8620  | 31.58 | 1.31  | 58    | 6960 | 25.50 | 1.62  | 55          | 7391  | 26.92       | 1.08  | 60    | 6758 | 24.97 | 1.18  | 69          | 5882  | 21.55 | 1.92  | 78    | 5189  | 19.01       | 2.0   | 90    | 4498 | 16.48 | 2.3   |       |      | 101         | 4004  | 14.67 | 2.6  |       |      | 117   | 3450  | 12.64 | 2.7  |       |       | 144         | 2803  | 10.27 | 3.2  |       |      | 169         | 2391  | 8.76  | 2.8  | 190         | 2126  | 7.79        | 2.7   | 220         | 1834 |       |      | 6.72        | 3.6   | 271         | 1490 |       |      |       |       | 5.46  | 3.8   |             |       |       |      |       |       |       |       |             |       |       |      |             |       |       |      |             |       |             |      |       |       |       |       |             |       |       |      |       |       |       |      |             |       |       |       |       |      |       |       |       |       |       |       |       |       |       |      |       |      |       |       |       |       |       |       |       |       |       |      |       |      |       |      |       |      |       |      |       |      |       |      |       |      |       |      |       |      |       |      |       |      |       |      |       |      |       |      |       |      |       |      |       |      |       |      |       |      |       |      |      |      |      |      |      |      |      |      |      |      |
| 35            | 9534       | 42.48    | 1.18                   |             |         | 39            | 8432       | 37.57       | 1.34                   |             |         | 47          | 7087  | 31.58       | 1.59  | 58          | 5723  | 25.50       | 1.97  | 55          | 6077  | 26.92       | 1.31  |             |       | 60          | 5557  |             |       | 24.97       | 1.44  |             |       |             |       |             |       |             |       |             |       |             |       |             |       |             |       |             |       |             |       |             |       |             |       |             |       |             |       | 69          | 4836  |             |       |             |       | 21.55       | 2.3   | 78          | 4266  | 19.01       | 2.4   | 90          | 3699  | 16.48       | 2.8   | 101         | 3292  | 14.67       | 3.1   | 117         | 2837  | 12.64       | 3.3   | 144         | 2305  | 10.27       | 3.9   | 169         | 1966  | 8.76        | 3.3   | 190         | 1748  | 7.79        | 3.2   | 24          | 20357 | 61.02       | 0.83  | 28          | 17651 | 52.91       | 0.96  | 31          | 15703 | 47.07       | 1.08  | 36          | 13534 | 40.57       | 1.25  | 45          | 10999 | 32.97       | 1.54  | 53          | 9328  | 27.96       | 1.81  | 58          | 8484  | 25.43       | 1.66  | 67          | 7393  | 22.16       | 2.3   | 75          | 6595  | 19.77       | 2.4   | 88          | 5621  | 16.85       | 3.0   | <b>45kW</b> |       |             |       |             |       | <b>55kW</b> |       |             |       |             |       | 54    | 6156  | 27.43       | 1.20  | F 107 | 4     | 39    | 12534 | 37.57 | 0.90  | F 127 | 4     |       |       | 58    | 5680  | 25.31 | 1.30  |       |       | 68    | 4883  | 21.76 | 1.51  | 77    | 4309  | 19.20 | 1.7   | 89    | 3721  | 16.58 | 2.0   | 101         | 3292  | 14.67 | 2.2  | 120         | 2767  | 12.33       | 2.4  | 149         | 2235  | 9.96        | 2.7   | 153         | 2166  | 9.65        | 2.1  | 177         | 1872  | 8.34        | 2.4   |             |       | 201         | 1654  |             |       | 7.37        | 2.6   |             |       |             |       |             |       |             |       |             |       |             |       | 239         | 1391  |             |       |             |       | 6.20        | 3.1   | 47          | 10535 |             |       | 31.58       | 1.07  | 58          | 8507  | 25.5  | 1.33  | 69          | 7189  | 21.55       | 1.57  | 78          | 6342  | 19.01 | 1.63  | 90          | 5498  | 16.48       | 1.88  | 101         | 4894  | 14.67 | 2.1   | 117         | 4217  |             |       | 12.64 | 2.2   | 144   | 3426  | 10.27       | 2.6   |             |       |       |       |             |       |             |      | 169   | 2922  |             |       | 8.76        | 2.3   |       |      | 190         | 2599  | 7.79        | 2.2   | 220         | 2242  | 6.72        | 2.9   | 271         | 1821  | 5.46        | 3.1   | 320         | 1545  | 4.63        | 3.7   | <b>45kW</b> |       |             |       |             |       | <b>75kW</b> |       |             |       |             |       | 21    | 18874 | 69.15       | 0.90  | F 157 | 4     | 31    | 21413 | 47.07 | 0.79  | F 157 | 4     |       |       | 24    | 16655 | 61.02 | 1.02  |       |      | 28          | 14442 | 52.91 | 1.17  | 31          | 12848 | 47.07       | 1.32  | 36          | 11074 | 40.57       | 1.53  | 45          | 8999  | 32.97       | 1.88  | 53    | 7632  | 27.96       | 2.2   | 36    | 18456 | 40.57 | 0.92  | 45          | 14999 | 32.97       | 1.13  | 53          | 12719 | 27.96       | 1.33 | 58          | 11569 | 25.43       | 1.22 | 67          | 10081 | 22.16       | 1.68  | 75          | 8994  | 19.77       | 1.78  |             |       | 88          | 7665  | 16.85       | 2.2   |             |       |             |       | 106         | 6351  |             |       | 13.96       | 2.5   | 124         | 5423  | 11.92       | 2.8   |             |       |             |       |             |       | 58          | 11600 | 25.50       | 0.97  | 69    | 9803  | 21.55       | 1.2   | 78          | 8648  | 19.01       | 1.2   | 90    | 7497  | 16.48       | 1.4   |             |       | 101   | 6674  | 14.67 | 1.5   | 117         | 5750  |       |      |       |       |             |       | 12.64       | 1.6   | 144   | 4672  | 10.27       | 1.9   |       |       | 169         | 3985  | 8.76  | 1.7   | 190         | 3544  | 7.79  | 1.6   | 220   | 3057  | 6.72        | 2.2   | 271         | 2484  | 5.46  | 2.3   | 320   | 2106  | 4.63        | 2.7   | <b>45kW</b> |       |       |       |             |       | <b>75kW</b> |       |             |       |             |       | 30          | 13426 | 49.19       | 0.84 | F 127 | 4     | 58          | 11600 | 25.50 | 0.97  | F 127 | 4     |             |       | 35    | 11595 | 42.48       | 0.97  |       |      | 39    | 10255 | 37.57       | 1.10  | 47    | 8620  | 31.58 | 1.31  | 58          | 6960  | 25.50 | 1.62  | 55    | 7391 | 26.92 | 1.08  | 60          | 6758  | 24.97       | 1.18  | 69    | 5882 | 21.55 | 1.92  | 78          | 5189  | 19.01 | 2.0   | 90    | 4498  | 16.48       | 2.3   | 101   | 4004 | 14.67 | 2.6   | 117   | 3450 | 12.64       | 2.7   | 144   | 2803 | 10.27 | 3.2  | 169   | 2391  | 8.76  | 2.8  |       |       | 190         | 2126  | 7.79  | 2.7  |       |      | 220         | 1834  | 6.72  | 3.6  | 271         | 1490  | 5.46        | 3.8   |             |      |       |      |             |       |             |      |       |      |       |       |       |       |             |       |       |      |       |       |       |       |             |       |       |      |             |       |       |      |             |       |             |      |       |       |       |       |             |       |       |      |       |       |       |      |             |       |       |       |       |      |       |       |       |       |       |       |       |       |       |      |       |      |       |       |       |       |       |       |       |       |       |      |       |      |       |      |       |      |       |      |       |      |       |      |       |      |       |      |       |      |       |      |       |      |       |      |       |      |       |      |       |      |       |      |       |      |       |      |       |      |       |      |      |      |      |      |      |      |      |      |      |      |
| 39            | 8432       | 37.57    | 1.34                   |             |         | 47            | 7087       | 31.58       | 1.59                   |             |         | 58          | 5723  | 25.50       | 1.97  | 55          | 6077  | 26.92       | 1.31  | 60          | 5557  | 24.97       | 1.44  |             |       | 69          | 4836  |             |       | 21.55       | 2.3   |             |       |             |       |             |       |             |       |             |       |             |       |             |       |             |       |             |       |             |       |             |       |             |       | 78          | 4266  |             |       | 19.01       | 2.4   |             |       | 90          | 3699  | 16.48       | 2.8   | 101         | 3292  | 14.67       | 3.1   | 117         | 2837  | 12.64       | 3.3   | 144         | 2305  | 10.27       | 3.9   | 169         | 1966  | 8.76        | 3.3   | 190         | 1748  | 7.79        | 3.2   | 24          | 20357 | 61.02       | 0.83  | 28          | 17651 | 52.91       | 0.96  | 31          | 15703 | 47.07       | 1.08  | 36          | 13534 | 40.57       | 1.25  | 45          | 10999 | 32.97       | 1.54  | 53          | 9328  | 27.96       | 1.81  | 58          | 8484  | 25.43       | 1.66  | 67          | 7393  | 22.16       | 2.3   | 75          | 6595  | 19.77       | 2.4   | 88          | 5621  | 16.85       | 3.0   | <b>45kW</b> |       |             |       |             |       | <b>55kW</b> |       |             |       |             |       | 54          | 6156  | 27.43       | 1.20  | F 107       | 4     | 39          | 12534 | 37.57 | 0.90  | F 127       | 4     |       |       | 58    | 5680  | 25.31 | 1.30  |       |       |       |       | 68    | 4883  | 21.76 | 1.51  |       |       | 77    | 4309  | 19.20 | 1.7   | 89    | 3721  | 16.58 | 2.0   | 101   | 3292  | 14.67 | 2.2   | 120         | 2767  | 12.33 | 2.4  | 149         | 2235  | 9.96        | 2.7  | 153         | 2166  | 9.65        | 2.1   | 177         | 1872  | 8.34        | 2.4  | 201         | 1654  | 7.37        | 2.6   |             |       | 239         | 1391  |             |       | 6.20        | 3.1   |             |       |             |       |             |       |             |       |             |       |             |       | 47          | 10535 | 31.58       | 1.07  |             |       | 58          | 8507  | 25.5        | 1.33  |             |       | 69          | 7189  | 21.55       | 1.57  | 78    | 6342  | 19.01       | 1.63  | 90          | 5498  | 16.48       | 1.88  | 101   | 4894  | 14.67       | 2.1   | 117         | 4217  | 12.64       | 2.2   | 144   | 3426  | 10.27       | 2.6   |             |       | 169   | 2922  | 8.76  | 2.3   | 190         | 2599  |             |       | 7.79  | 2.2   |             |       |             |      | 220   | 2242  |             |       | 6.72        | 2.9   |       |      | 271         | 1821  | 5.46        | 3.1   | 320         | 1545  | 4.63        | 3.7   | <b>45kW</b> |       |             |       |             |       | <b>75kW</b> |       |             |       |             |       | 21          | 18874 | 69.15       | 0.90  | F 157       | 4     | 31          | 21413 | 47.07 | 0.79  | F 157       | 4     |       |       | 24    | 16655 | 61.02 | 1.02  |       |       |       |       | 28    | 14442 | 52.91 | 1.17  |       |      | 31          | 12848 | 47.07 | 1.32  | 36          | 11074 | 40.57       | 1.53  | 45          | 8999  | 32.97       | 1.88  | 53          | 7632  | 27.96       | 2.2   | 36    | 18456 | 40.57       | 0.92  | 45    | 14999 | 32.97 | 1.13  | 53          | 12719 | 27.96       | 1.33  | 58          | 11569 | 25.43       | 1.22 | 67          | 10081 | 22.16       | 1.68 | 75          | 8994  | 19.77       | 1.78  | 88          | 7665  | 16.85       | 2.2   |             |       | 106         | 6351  | 13.96       | 2.5   |             |       |             |       | 124         | 5423  | 11.92       | 2.8   | 58          | 11600 | 25.50       | 0.97  | 69          | 9803  |             |       |             |       |             |       | 21.55       | 1.2   | 78          | 8648  | 19.01 | 1.2   | 90          | 7497  | 16.48       | 1.4   | 101         | 6674  | 14.67 | 1.5   | 117         | 5750  | 12.64       | 1.6   | 144   | 4672  | 10.27 | 1.9   | 169         | 3985  |       |      |       |       |             |       | 8.76        | 1.7   | 190   | 3544  | 7.79        | 1.6   |       |       | 220         | 3057  | 6.72  | 2.2   | 271         | 2484  | 5.46  | 2.3   | 320   | 2106  | 4.63        | 2.7   | <b>45kW</b> |       |       |       |       |       | <b>75kW</b> |       |             |       |       |       | 30          | 13426 | 49.19       | 0.84  | F 127       | 4     | 58          | 11600 | 25.50       | 0.97  | F 127       | 4    |       |       | 35          | 11595 | 42.48 | 0.97  |       |       |             |       | 39    | 10255 | 37.57       | 1.10  |       |      | 47    | 8620  | 31.58       | 1.31  | 58    | 6960  | 25.50 | 1.62  | 55          | 7391  | 26.92 | 1.08  | 60    | 6758 | 24.97 | 1.18  | 69          | 5882  | 21.55       | 1.92  | 78    | 5189 | 19.01 | 2.0   | 90          | 4498  | 16.48 | 2.3   | 101   | 4004  | 14.67       | 2.6   | 117   | 3450 | 12.64 | 2.7   | 144   | 2803 | 10.27       | 3.2   | 169   | 2391 | 8.76  | 2.8  | 190   | 2126  | 7.79  | 2.7  | 220   | 1834  | 6.72        | 3.6   | 271   | 1490 | 5.46  | 3.8  |             |       |       |      |             |       |             |       |             |      |       |      |             |       |             |      |       |      |       |       |       |       |             |       |       |      |       |       |       |       |             |       |       |      |             |       |       |      |             |       |             |      |       |       |       |       |             |       |       |      |       |       |       |      |             |       |       |       |       |      |       |       |       |       |       |       |       |       |       |      |       |      |       |       |       |       |       |       |       |       |       |      |       |      |       |      |       |      |       |      |       |      |       |      |       |      |       |      |       |      |       |      |       |      |       |      |       |      |       |      |       |      |       |      |       |      |       |      |       |      |       |      |      |      |      |      |      |      |      |      |      |      |
| 47            | 7087       | 31.58    | 1.59                   |             |         | 58            | 5723       | 25.50       | 1.97                   |             |         | 55          | 6077  | 26.92       | 1.31  | 60          | 5557  | 24.97       | 1.44  | 69          | 4836  | 21.55       | 2.3   |             |       | 78          | 4266  |             |       | 19.01       | 2.4   |             |       |             |       |             |       |             |       |             |       |             |       |             |       |             |       |             |       |             |       | 90          | 3699  |             |       | 16.48       | 2.8   |             |       | 101         | 3292  | 14.67       | 3.1   | 117         | 2837  | 12.64       | 3.3   | 144         | 2305  | 10.27       | 3.9   | 169         | 1966  | 8.76        | 3.3   | 190         | 1748  | 7.79        | 3.2   | 24          | 20357 | 61.02       | 0.83  | 28          | 17651 | 52.91       | 0.96  | 31          | 15703 | 47.07       | 1.08  | 36          | 13534 | 40.57       | 1.25  | 45          | 10999 | 32.97       | 1.54  | 53          | 9328  | 27.96       | 1.81  | 58          | 8484  | 25.43       | 1.66  | 67          | 7393  | 22.16       | 2.3   | 75          | 6595  | 19.77       | 2.4   | 88          | 5621  | 16.85       | 3.0   | <b>45kW</b> |       |             |       |             |       | <b>55kW</b> |       |             |       |             |       | 54          | 6156  | 27.43       | 1.20  | F 107       | 4     | 39          | 12534 | 37.57       | 0.90  | F 127       | 4     |             |       | 58          | 5680  | 25.31 | 1.30  |             |       |       |       | 68    | 4883  | 21.76 | 1.51  |       |       |       |       | 77    | 4309  | 19.20 | 1.7   |       |       | 89    | 3721  | 16.58 | 2.0   | 101   | 3292  | 14.67 | 2.2   | 120   | 2767  | 12.33 | 2.4   | 149         | 2235  | 9.96  | 2.7  | 153         | 2166  | 9.65        | 2.1  | 177         | 1872  | 8.34        | 2.4   | 201         | 1654  | 7.37        | 2.6  | 239         | 1391  | 6.20        | 3.1   |             |       | 47          | 10535 |             |       | 31.58       | 1.07  |             |       |             |       |             |       |             |       |             |       |             |       | 58          | 8507  | 25.5        | 1.33  |             |       | 69          | 7189  | 21.55       | 1.57  |             |       | 78          | 6342  | 19.01       | 1.63  | 90    | 5498  | 16.48       | 1.88  | 101         | 4894  | 14.67       | 2.1   | 117   | 4217  | 12.64       | 2.2   | 144         | 3426  | 10.27       | 2.6   | 169   | 2922  | 8.76        | 2.3   | 190         | 2599  | 7.79  | 2.2   | 220   | 2242  | 6.72        | 2.9   |             |       | 271   | 1821  |             |       | 5.46        | 3.1  | 320   | 1545  |             |       | 4.63        | 3.7   |       |      | <b>45kW</b> |       |             |       |             |       | <b>75kW</b> |       |             |       |             |       | 21          | 18874 | 69.15       | 0.90  | F 157       | 4     | 31          | 21413 | 47.07       | 0.79  | F 157       | 4     |             |       | 24          | 16655 | 61.02 | 1.02  |             |       |       |       | 28    | 14442 | 52.91 | 1.17  |       |       |       |       | 31    | 12848 | 47.07 | 1.32  |       |      | 36          | 11074 | 40.57 | 1.53  | 45          | 8999  | 32.97       | 1.88  | 53          | 7632  | 27.96       | 2.2   | 36          | 18456 | 40.57       | 0.92  | 45    | 14999 | 32.97       | 1.13  | 53    | 12719 | 27.96 | 1.33  | 58          | 11569 | 25.43       | 1.22  | 67          | 10081 | 22.16       | 1.68 | 75          | 8994  | 19.77       | 1.78 | 88          | 7665  | 16.85       | 2.2   | 106         | 6351  | 13.96       | 2.5   |             |       | 124         | 5423  | 11.92       | 2.8   | 58          | 11600 |             |       | 25.50       | 0.97  | 69          | 9803  | 21.55       | 1.2   | 78          | 8648  | 19.01       | 1.2   |             |       |             |       |             |       | 90          | 7497  | 16.48       | 1.4   | 101   | 6674  | 14.67       | 1.5   | 117         | 5750  | 12.64       | 1.6   | 144   | 4672  | 10.27       | 1.9   | 169         | 3985  | 8.76  | 1.7   | 190   | 3544  | 7.79        | 1.6   | 220   | 3057 |       |       |             |       | 6.72        | 2.2   | 271   | 2484  | 5.46        | 2.3   |       |       | 320         | 2106  | 4.63  | 2.7   | <b>45kW</b> |       |       |       |       |       | <b>75kW</b> |       |             |       |       |       | 30    | 13426 | 49.19       | 0.84  | F 127       | 4     | 58    | 11600 | 25.50       | 0.97  | F 127       | 4     |             |       | 35          | 11595 | 42.48       | 0.97  |             |      |       |       | 39          | 10255 | 37.57 | 1.10  |       |       |             |       | 47    | 8620  | 31.58       | 1.31  |       |      | 58    | 6960  | 25.50       | 1.62  | 55    | 7391  | 26.92 | 1.08  | 60          | 6758  | 24.97 | 1.18  | 69    | 5882 | 21.55 | 1.92  | 78          | 5189  | 19.01       | 2.0   | 90    | 4498 | 16.48 | 2.3   | 101         | 4004  | 14.67 | 2.6   | 117   | 3450  | 12.64       | 2.7   | 144   | 2803 | 10.27 | 3.2   | 169   | 2391 | 8.76        | 2.8   | 190   | 2126 | 7.79  | 2.7  | 220   | 1834  | 6.72  | 3.6  | 271   | 1490  | 5.46        | 3.8   |       |      |       |      |             |       |       |      |             |       |             |       |             |      |       |      |             |       |             |      |       |      |       |       |       |       |             |       |       |      |       |       |       |       |             |       |       |      |             |       |       |      |             |       |             |      |       |       |       |       |             |       |       |      |       |       |       |      |             |       |       |       |       |      |       |       |       |       |       |       |       |       |       |      |       |      |       |       |       |       |       |       |       |       |       |      |       |      |       |      |       |      |       |      |       |      |       |      |       |      |       |      |       |      |       |      |       |      |       |      |       |      |       |      |       |      |       |      |       |      |       |      |       |      |       |      |      |      |      |      |      |      |      |      |      |      |
| 58            | 5723       | 25.50    | 1.97                   |             |         | 55            | 6077       | 26.92       | 1.31                   |             |         | 60          | 5557  | 24.97       | 1.44  | 69          | 4836  | 21.55       | 2.3   | 78          | 4266  | 19.01       | 2.4   |             |       | 90          | 3699  |             |       | 16.48       | 2.8   |             |       |             |       |             |       |             |       |             |       |             |       |             |       |             |       | 101         | 3292  |             |       | 14.67       | 3.1   |             |       | 117         | 2837  | 12.64       | 3.3   | 144         | 2305  | 10.27       | 3.9   | 169         | 1966  | 8.76        | 3.3   | 190         | 1748  | 7.79        | 3.2   | 24          | 20357 | 61.02       | 0.83  | 28          | 17651 | 52.91       | 0.96  | 31          | 15703 | 47.07       | 1.08  | 36          | 13534 | 40.57       | 1.25  | 45          | 10999 | 32.97       | 1.54  | 53          | 9328  | 27.96       | 1.81  | 58          | 8484  | 25.43       | 1.66  | 67          | 7393  | 22.16       | 2.3   | 75          | 6595  | 19.77       | 2.4   | 88          | 5621  | 16.85       | 3.0   | <b>45kW</b> |       |             |       |             |       | <b>55kW</b> |       |             |       |             |       | 54          | 6156  | 27.43       | 1.20  | F 107       | 4     | 39          | 12534 | 37.57       | 0.90  | F 127       | 4     |             |       | 58          | 5680  | 25.31       | 1.30  |             |       |             |       | 68          | 4883  | 21.76 | 1.51  |             |       |       |       | 77    | 4309  | 19.20 | 1.7   |       |       |       |       | 89    | 3721  | 16.58 | 2.0   |       |       | 101   | 3292  | 14.67 | 2.2   | 120   | 2767  | 12.33 | 2.4   | 149   | 2235  | 9.96  | 2.7   | 153         | 2166  | 9.65  | 2.1  | 177         | 1872  | 8.34        | 2.4  | 201         | 1654  | 7.37        | 2.6   | 239         | 1391  | 6.20        | 3.1  | 47          | 10535 | 31.58       | 1.07  |             |       | 58          | 8507  |             |       | 25.5        | 1.33  |             |       |             |       |             |       |             |       |             |       |             |       | 69          | 7189  | 21.55       | 1.57  |             |       | 78          | 6342  | 19.01       | 1.63  |             |       | 90          | 5498  | 16.48       | 1.88  | 101   | 4894  | 14.67       | 2.1   | 117         | 4217  | 12.64       | 2.2   | 144   | 3426  | 10.27       | 2.6   | 169         | 2922  | 8.76        | 2.3   | 190   | 2599  | 7.79        | 2.2   | 220         | 2242  | 6.72  | 2.9   | 271   | 1821  | 5.46        | 3.1   | 320         | 1545  | 4.63  | 3.7   |             |       | <b>45kW</b> |      |       |       |             |       | <b>75kW</b> |       |       |      |             |       | 21          | 18874 | 69.15       | 0.90  | F 157       | 4     | 31          | 21413 | 47.07       | 0.79  | F 157       | 4     | 24          | 16655 |             |       | 61.02       | 1.02  | 28          | 14442 |             |       |             |       | 52.91       | 1.17  | 31    | 12848 |             |       |       |       | 47.07 | 1.32  | 36    | 11074 |       |       |       |       | 40.57 | 1.53  | 45    | 8999  |       |      | 32.97       | 1.88  | 53    | 7632  | 27.96       | 2.2   | 36          | 18456 | 40.57       | 0.92  | 45          | 14999 | 32.97       | 1.13  | 53          | 12719 | 27.96 | 1.33  | 58          | 11569 | 25.43 | 1.22  | 67    | 10081 | 22.16       | 1.68  | 75          | 8994  | 19.77       | 1.78  | 88          | 7665 | 16.85       | 2.2   | 106         | 6351 | 13.96       | 2.5   | 124         | 5423  | 11.92       | 2.8   | 58          | 11600 | 25.50       | 0.97  | 69          | 9803  | 21.55       | 1.2   | 78          | 8648  |             |       | 19.01       | 1.2   | 90          | 7497  | 16.48       | 1.4   | 101         | 6674  | 14.67       | 1.5   |             |       |             |       |             |       | 117         | 5750  | 12.64       | 1.6   | 144   | 4672  | 10.27       | 1.9   | 169         | 3985  | 8.76        | 1.7   | 190   | 3544  | 7.79        | 1.6   | 220         | 3057  | 6.72  | 2.2   | 271   | 2484  | 5.46        | 2.3   | 320   | 2106 |       |       | 4.63        | 2.7   | <b>45kW</b> |       |       |       |             |       |       |       | <b>75kW</b> |       |       |       |             |       | 30    | 13426 | 49.19 | 0.84  | F 127       | 4     | 58          | 11600 | 25.50 | 0.97  | F 127 | 4     | 35          | 11595 |             |       | 42.48 | 0.97  | 39          | 10255 |             |       |             |       | 37.57       | 1.10  | 47          | 8620  |             |      |       |       | 31.58       | 1.31  | 58    | 6960  |       |       |             |       | 25.50 | 1.62  | 55          | 7391  |       |      | 26.92 | 1.08  | 60          | 6758  | 24.97 | 1.18  | 69    | 5882  | 21.55       | 1.92  | 78    | 5189  | 19.01 | 2.0  | 90    | 4498  | 16.48       | 2.3   | 101         | 4004  | 14.67 | 2.6  | 117   | 3450  | 12.64       | 2.7   | 144   | 2803  | 10.27 | 3.2   | 169         | 2391  | 8.76  | 2.8  | 190   | 2126  | 7.79  | 2.7  | 220         | 1834  | 6.72  | 3.6  | 271   | 1490 | 5.46  | 3.8   |       |      |       |       |             |       |       |      |       |      |             |       |       |      |             |       |             |       |             |      |       |      |             |       |             |      |       |      |       |       |       |       |             |       |       |      |       |       |       |       |             |       |       |      |             |       |       |      |             |       |             |      |       |       |       |       |             |       |       |      |       |       |       |      |             |       |       |       |       |      |       |       |       |       |       |       |       |       |       |      |       |      |       |       |       |       |       |       |       |       |       |      |       |      |       |      |       |      |       |      |       |      |       |      |       |      |       |      |       |      |       |      |       |      |       |      |       |      |       |      |       |      |       |      |       |      |       |      |       |      |       |      |      |      |      |      |      |      |      |      |      |      |
| 55            | 6077       | 26.92    | 1.31                   |             |         | 60            | 5557       | 24.97       | 1.44                   |             |         | 69          | 4836  | 21.55       | 2.3   | 78          | 4266  | 19.01       | 2.4   | 90          | 3699  | 16.48       | 2.8   |             |       | 101         | 3292  |             |       | 14.67       | 3.1   |             |       |             |       |             |       |             |       |             |       |             |       | 117         | 2837  |             |       | 12.64       | 3.3   |             |       | 144         | 2305  | 10.27       | 3.9   | 169         | 1966  | 8.76        | 3.3   | 190         | 1748  | 7.79        | 3.2   | 24          | 20357 | 61.02       | 0.83  | 28          | 17651 | 52.91       | 0.96  | 31          | 15703 | 47.07       | 1.08  | 36          | 13534 | 40.57       | 1.25  | 45          | 10999 | 32.97       | 1.54  | 53          | 9328  | 27.96       | 1.81  | 58          | 8484  | 25.43       | 1.66  | 67          | 7393  | 22.16       | 2.3   | 75          | 6595  | 19.77       | 2.4   | 88          | 5621  | 16.85       | 3.0   | <b>45kW</b> |       |             |       |             |       | <b>55kW</b> |       |             |       |             |       | 54          | 6156  | 27.43       | 1.20  | F 107       | 4     | 39          | 12534 | 37.57       | 0.90  | F 127       | 4     |             |       | 58          | 5680  | 25.31       | 1.30  |             |       |             |       | 68          | 4883  | 21.76       | 1.51  |             |       |             |       | 77          | 4309  | 19.20 | 1.7   |             |       |       |       | 89    | 3721  | 16.58 | 2.0   |       |       |       |       | 101   | 3292  | 14.67 | 2.2   |       |       | 120   | 2767  | 12.33 | 2.4   | 149   | 2235  | 9.96  | 2.7   | 153   | 2166  | 9.65  | 2.1   | 177         | 1872  | 8.34  | 2.4  | 201         | 1654  | 7.37        | 2.6  | 239         | 1391  | 6.20        | 3.1   | 47          | 10535 | 31.58       | 1.07 | 58          | 8507  | 25.5        | 1.33  |             |       | 69          | 7189  |             |       | 21.55       | 1.57  |             |       |             |       |             |       |             |       |             |       |             |       | 78          | 6342  | 19.01       | 1.63  |             |       | 90          | 5498  | 16.48       | 1.88  |             |       | 101         | 4894  | 14.67       | 2.1   | 117   | 4217  | 12.64       | 2.2   | 144         | 3426  | 10.27       | 2.6   | 169   | 2922  | 8.76        | 2.3   | 190         | 2599  | 7.79        | 2.2   | 220   | 2242  | 6.72        | 2.9   | 271         | 1821  | 5.46  | 3.1   | 320   | 1545  | 4.63        | 3.7   | <b>45kW</b> |       |       |       |             |       | <b>75kW</b> |      |       |       |             |       | 21          | 18874 | 69.15 | 0.90 | F 157       | 4     | 31          | 21413 | 47.07       | 0.79  |             |       | F 157       | 4     | 24          | 16655 |             |       | 61.02       | 1.02  |             |       | 28          | 14442 | 52.91       | 1.17  |             |       |             |       | 31          | 12848 | 47.07 | 1.32  |             |       |       |       | 36    | 11074 | 40.57 | 1.53  |       |       |       |       | 45    | 8999  | 32.97 | 1.88  |       |      | 53          | 7632  | 27.96 | 2.2   | 36          | 18456 | 40.57       | 0.92  | 45          | 14999 | 32.97       | 1.13  | 53          | 12719 | 27.96       | 1.33  | 58    | 11569 | 25.43       | 1.22  | 67    | 10081 | 22.16 | 1.68  | 75          | 8994  | 19.77       | 1.78  | 88          | 7665  | 16.85       | 2.2  | 106         | 6351  | 13.96       | 2.5  | 124         | 5423  | 11.92       | 2.8   | 58          | 11600 | 25.50       | 0.97  | 69          | 9803  | 21.55       | 1.2   | 78          | 8648  | 19.01       | 1.2   |             |       | 90          | 7497  | 16.48       | 1.4   | 101         | 6674  | 14.67       | 1.5   | 117         | 5750  |             |       |             |       |             |       | 12.64       | 1.6   | 144         | 4672  | 10.27 | 1.9   | 169         | 3985  | 8.76        | 1.7   | 190         | 3544  | 7.79  | 1.6   | 220         | 3057  | 6.72        | 2.2   | 271   | 2484  | 5.46  | 2.3   | 320         | 2106  | 4.63  | 2.7  |       |       | <b>45kW</b> |       |             |       |       |       | <b>75kW</b> |       |       |       |             |       | 30    | 13426 | 49.19       | 0.84  | F 127 | 4     | 58    | 11600 |             |       | 25.50       | 0.97  | F 127 | 4     |       |       | 35          | 11595 |             |       | 42.48 | 0.97  | 39          | 10255 |             |       |             |       | 37.57       | 1.10  | 47          | 8620  |             |      |       |       | 31.58       | 1.31  | 58    | 6960  |       |       |             |       | 25.50 | 1.62  | 55          | 7391  |       |      | 26.92 | 1.08  | 60          | 6758  | 24.97 | 1.18  | 69    | 5882  | 21.55       | 1.92  | 78    | 5189  | 19.01 | 2.0  | 90    | 4498  | 16.48       | 2.3   | 101         | 4004  | 14.67 | 2.6  | 117   | 3450  | 12.64       | 2.7   | 144   | 2803  | 10.27 | 3.2   | 169         | 2391  | 8.76  | 2.8  | 190   | 2126  | 7.79  | 2.7  | 220         | 1834  | 6.72  | 3.6  | 271   | 1490 | 5.46  | 3.8   |       |      |       |       |             |       |       |      |       |      |             |       |       |      |             |       |             |       |             |      |       |      |             |       |             |      |       |      |       |       |       |       |             |       |       |      |       |       |       |       |             |       |       |      |             |       |       |      |             |       |             |      |       |       |       |       |             |       |       |      |       |       |       |      |             |       |       |       |       |      |       |       |       |       |       |       |       |       |       |      |       |      |       |       |       |       |       |       |       |       |       |      |       |      |       |      |       |      |       |      |       |      |       |      |       |      |       |      |       |      |       |      |       |      |       |      |       |      |       |      |       |      |       |      |       |      |       |      |       |      |       |      |      |      |      |      |      |      |      |      |      |      |
| 60            | 5557       | 24.97    | 1.44                   |             |         | 69            | 4836       | 21.55       | 2.3                    |             |         | 78          | 4266  | 19.01       | 2.4   | 90          | 3699  | 16.48       | 2.8   | 101         | 3292  | 14.67       | 3.1   |             |       | 117         | 2837  |             |       | 12.64       | 3.3   |             |       |             |       |             |       |             |       | 144         | 2305  |             |       | 10.27       | 3.9   |             |       | 169         | 1966  | 8.76        | 3.3   | 190         | 1748  | 7.79        | 3.2   | 24          | 20357 | 61.02       | 0.83  | 28          | 17651 | 52.91       | 0.96  | 31          | 15703 | 47.07       | 1.08  | 36          | 13534 | 40.57       | 1.25  | 45          | 10999 | 32.97       | 1.54  | 53          | 9328  | 27.96       | 1.81  | 58          | 8484  | 25.43       | 1.66  | 67          | 7393  | 22.16       | 2.3   | 75          | 6595  | 19.77       | 2.4   | 88          | 5621  | 16.85       | 3.0   | <b>45kW</b> |       |             |       |             |       | <b>55kW</b> |       |             |       |             |       | 54          | 6156  | 27.43       | 1.20  | F 107       | 4     | 39          | 12534 | 37.57       | 0.90  | F 127       | 4     |             |       | 58          | 5680  | 25.31       | 1.30  |             |       |             |       | 68          | 4883  | 21.76       | 1.51  |             |       |             |       | 77          | 4309  | 19.20       | 1.7   |             |       |             |       | 89          | 3721  | 16.58 | 2.0   |             |       |       |       | 101   | 3292  | 14.67 | 2.2   |       |       |       |       | 120   | 2767  | 12.33 | 2.4   |       |       | 149   | 2235  | 9.96  | 2.7   | 153   | 2166  | 9.65  | 2.1   | 177   | 1872  | 8.34  | 2.4   | 201         | 1654  | 7.37  | 2.6  | 239         | 1391  | 6.20        | 3.1  | 47          | 10535 | 31.58       | 1.07  | 58          | 8507  | 25.5        | 1.33 | 69          | 7189  | 21.55       | 1.57  |             |       | 78          | 6342  |             |       | 19.01       | 1.63  |             |       |             |       |             |       |             |       | 90          | 5498  |             |       | 16.48       | 1.88  | 101         | 4894  |             |       | 14.67       | 2.1   | 117         | 4217  | 12.64       | 2.2   | 144         | 3426  | 10.27       | 2.6   | 169   | 2922  | 8.76        | 2.3   | 190         | 2599  | 7.79        | 2.2   | 220   | 2242  | 6.72        | 2.9   | 271         | 1821  | 5.46        | 3.1   | 320   | 1545  | 4.63        | 3.7   | <b>45kW</b> |       |       |       |       |       | <b>75kW</b> |       |             |       |       |       | 21          | 18874 | 69.15       | 0.90 | F 157 | 4     | 31          | 21413 | 47.07       | 0.79  | F 157 | 4    |             |       | 24          | 16655 | 61.02       | 1.02  |             |       |             |       | 28          | 14442 |             |       | 52.91       | 1.17  |             |       | 31          | 12848 | 47.07       | 1.32  |             |       |             |       | 36          | 11074 | 40.57 | 1.53  |             |       |       |       | 45    | 8999  | 32.97 | 1.88  |       |       |       |       | 53    | 7632  | 27.96 | 2.2   |       |      | 36          | 18456 | 40.57 | 0.92  | 45          | 14999 | 32.97       | 1.13  | 53          | 12719 | 27.96       | 1.33  | 58          | 11569 | 25.43       | 1.22  | 67    | 10081 | 22.16       | 1.68  | 75    | 8994  | 19.77 | 1.78  | 88          | 7665  | 16.85       | 2.2   | 106         | 6351  | 13.96       | 2.5  | 124         | 5423  | 11.92       | 2.8  | 58          | 11600 | 25.50       | 0.97  | 69          | 9803  | 21.55       | 1.2   | 78          | 8648  | 19.01       | 1.2   | 90          | 7497  | 16.48       | 1.4   |             |       | 101         | 6674  | 14.67       | 1.5   | 117         | 5750  | 12.64       | 1.6   | 144         | 4672  |             |       |             |       |             |       | 10.27       | 1.9   | 169         | 3985  | 8.76  | 1.7   | 190         | 3544  | 7.79        | 1.6   | 220         | 3057  | 6.72  | 2.2   | 271         | 2484  | 5.46        | 2.3   | 320   | 2106  | 4.63  | 2.7   | <b>45kW</b> |       |       |      |       |       | <b>75kW</b> |       |             |       |       |       | 30          | 13426 | 49.19 | 0.84  | F 127       | 4     | 58    | 11600 | 25.50       | 0.97  |       |       | F 127 | 4     |             |       | 35          | 11595 |       |       |       |       | 42.48       | 0.97  |             |       | 39    | 10255 | 37.57       | 1.10  |             |       |             |       | 47          | 8620  | 31.58       | 1.31  |             |      |       |       | 58          | 6960  | 25.50 | 1.62  |       |       |             |       | 55    | 7391  | 26.92       | 1.08  |       |      | 60    | 6758  | 24.97       | 1.18  | 69    | 5882  | 21.55 | 1.92  | 78          | 5189  | 19.01 | 2.0   | 90    | 4498 | 16.48 | 2.3   | 101         | 4004  | 14.67       | 2.6   | 117   | 3450 | 12.64 | 2.7   | 144         | 2803  | 10.27 | 3.2   | 169   | 2391  | 8.76        | 2.8   | 190   | 2126 | 7.79  | 2.7   | 220   | 1834 | 6.72        | 3.6   | 271   | 1490 | 5.46  | 3.8  |       |       |       |      |       |       |             |       |       |      |       |      |             |       |       |      |             |       |             |       |             |      |       |      |             |       |             |      |       |      |       |       |       |       |             |       |       |      |       |       |       |       |             |       |       |      |             |       |       |      |             |       |             |      |       |       |       |       |             |       |       |      |       |       |       |      |             |       |       |       |       |      |       |       |       |       |       |       |       |       |       |      |       |      |       |       |       |       |       |       |       |       |       |      |       |      |       |      |       |      |       |      |       |      |       |      |       |      |       |      |       |      |       |      |       |      |       |      |       |      |       |      |       |      |       |      |       |      |       |      |       |      |       |      |      |      |      |      |      |      |      |      |      |      |
| 69            | 4836       | 21.55    | 2.3                    |             |         | 78            | 4266       | 19.01       | 2.4                    |             |         | 90          | 3699  | 16.48       | 2.8   | 101         | 3292  | 14.67       | 3.1   | 117         | 2837  | 12.64       | 3.3   |             |       | 144         | 2305  |             |       | 10.27       | 3.9   |             |       |             |       | 169         | 1966  |             |       | 8.76        | 3.3   |             |       | 190         | 1748  | 7.79        | 3.2   | 24          | 20357 | 61.02       | 0.83  | 28          | 17651 | 52.91       | 0.96  | 31          | 15703 | 47.07       | 1.08  | 36          | 13534 | 40.57       | 1.25  | 45          | 10999 | 32.97       | 1.54  | 53          | 9328  | 27.96       | 1.81  | 58          | 8484  | 25.43       | 1.66  | 67          | 7393  | 22.16       | 2.3   | 75          | 6595  | 19.77       | 2.4   | 88          | 5621  | 16.85       | 3.0   | <b>45kW</b> |       |             |       |             |       | <b>55kW</b> |       |             |       |             |       | 54          | 6156  | 27.43       | 1.20  | F 107       | 4     | 39          | 12534 | 37.57       | 0.90  | F 127       | 4     |             |       | 58          | 5680  | 25.31       | 1.30  |             |       |             |       | 68          | 4883  | 21.76       | 1.51  |             |       |             |       | 77          | 4309  | 19.20       | 1.7   |             |       |             |       | 89          | 3721  | 16.58       | 2.0   |             |       |             |       | 101         | 3292  | 14.67 | 2.2   |             |       |       |       | 120   | 2767  | 12.33 | 2.4   |       |       |       |       | 149   | 2235  | 9.96  | 2.7   |       |       | 153   | 2166  | 9.65  | 2.1   | 177   | 1872  | 8.34  | 2.4   | 201   | 1654  | 7.37  | 2.6   | 239         | 1391  | 6.20  | 3.1  | 47          | 10535 | 31.58       | 1.07 | 58          | 8507  | 25.5        | 1.33  | 69          | 7189  | 21.55       | 1.57 | 78          | 6342  | 19.01       | 1.63  |             |       | 90          | 5498  |             |       | 16.48       | 1.88  |             |       |             |       | 101         | 4894  |             |       | 14.67       | 2.1   |             |       | 117         | 4217  | 12.64       | 2.2   | 144         | 3426  | 10.27       | 2.6   | 169         | 2922  | 8.76        | 2.3   | 190         | 2599  | 7.79        | 2.2   | 220   | 2242  | 6.72        | 2.9   | 271         | 1821  | 5.46        | 3.1   | 320   | 1545  | 4.63        | 3.7   | <b>45kW</b> |       |             |       |       |       | <b>75kW</b> |       |             |       |       |       | 21    | 18874 | 69.15       | 0.90  | F 157       | 4     | 31    | 21413 | 47.07       | 0.79  | F 157       | 4    |       |       | 24          | 16655 | 61.02       | 1.02  |       |      |             |       | 28          | 14442 | 52.91       | 1.17  |             |       |             |       | 31          | 12848 |             |       | 47.07       | 1.32  |             |       | 36          | 11074 | 40.57       | 1.53  |             |       |             |       | 45          | 8999  | 32.97 | 1.88  |             |       |       |       | 53    | 7632  | 27.96 | 2.2   |       |       |       |       | 36    | 18456 | 40.57 | 0.92  |       |      | 45          | 14999 | 32.97 | 1.13  | 53          | 12719 | 27.96       | 1.33  | 58          | 11569 | 25.43       | 1.22  | 67          | 10081 | 22.16       | 1.68  | 75    | 8994  | 19.77       | 1.78  | 88    | 7665  | 16.85 | 2.2   | 106         | 6351  | 13.96       | 2.5   | 124         | 5423  | 11.92       | 2.8  | 58          | 11600 | 25.50       | 0.97 | 69          | 9803  | 21.55       | 1.2   | 78          | 8648  | 19.01       | 1.2   | 90          | 7497  | 16.48       | 1.4   | 101         | 6674  | 14.67       | 1.5   |             |       | 117         | 5750  | 12.64       | 1.6   | 144         | 4672  | 10.27       | 1.9   | 169         | 3985  |             |       |             |       | 8.76        | 1.7   | 190         | 3544  | 7.79        | 1.6   | 220   | 3057  | 6.72        | 2.2   | 271         | 2484  | 5.46        | 2.3   | 320   | 2106  | 4.63        | 2.7   | <b>45kW</b> |       |       |       |       |       | <b>75kW</b> |       |       |      |       |       | 30          | 13426 | 49.19       | 0.84  | F 127 | 4     | 58          | 11600 | 25.50 | 0.97  |             |       | F 127 | 4     | 35          | 11595 |       |       |       |       |             |       | 42.48       | 0.97  |       |       |       |       | 39          | 10255 |             |       | 37.57 | 1.10  | 47          | 8620  |             |       |             |       | 31.58       | 1.31  | 58          | 6960  |             |      |       |       | 25.50       | 1.62  | 55    | 7391  |       |       |             |       | 26.92 | 1.08  | 60          | 6758  |       |      | 24.97 | 1.18  | 69          | 5882  | 21.55 | 1.92  | 78    | 5189  | 19.01       | 2.0   | 90    | 4498  | 16.48 | 2.3  | 101   | 4004  | 14.67       | 2.6   | 117         | 3450  | 12.64 | 2.7  | 144   | 2803  | 10.27       | 3.2   | 169   | 2391  | 8.76  | 2.8   | 190         | 2126  | 7.79  | 2.7  | 220   | 1834  | 6.72  | 3.6  | 271         | 1490  | 5.46  | 3.8  |       |      |       |       |       |      |       |       |             |       |       |      |       |      |             |       |       |      |             |       |             |       |             |      |       |      |             |       |             |      |       |      |       |       |       |       |             |       |       |      |       |       |       |       |             |       |       |      |             |       |       |      |             |       |             |      |       |       |       |       |             |       |       |      |       |       |       |      |             |       |       |       |       |      |       |       |       |       |       |       |       |       |       |      |       |      |       |       |       |       |       |       |       |       |       |      |       |      |       |      |       |      |       |      |       |      |       |      |       |      |       |      |       |      |       |      |       |      |       |      |       |      |       |      |       |      |       |      |       |      |       |      |       |      |       |      |      |      |      |      |      |      |      |      |      |      |
| 78            | 4266       | 19.01    | 2.4                    |             |         | 90            | 3699       | 16.48       | 2.8                    |             |         | 101         | 3292  | 14.67       | 3.1   | 117         | 2837  | 12.64       | 3.3   | 144         | 2305  | 10.27       | 3.9   |             |       | 169         | 1966  |             |       | 8.76        | 3.3   | 190         | 1748  |             |       | 7.79        | 3.2   |             |       | 24          | 20357 | 61.02       | 0.83  | 28          | 17651 | 52.91       | 0.96  | 31          | 15703 | 47.07       | 1.08  | 36          | 13534 | 40.57       | 1.25  | 45          | 10999 | 32.97       | 1.54  | 53          | 9328  | 27.96       | 1.81  | 58          | 8484  | 25.43       | 1.66  | 67          | 7393  | 22.16       | 2.3   | 75          | 6595  | 19.77       | 2.4   | 88          | 5621  | 16.85       | 3.0   | <b>45kW</b> |       |             |       |             |       | <b>55kW</b> |       |             |       |             |       | 54          | 6156  | 27.43       | 1.20  | F 107       | 4     | 39          | 12534 | 37.57       | 0.90  | F 127       | 4     |             |       | 58          | 5680  | 25.31       | 1.30  |             |       |             |       | 68          | 4883  | 21.76       | 1.51  |             |       |             |       | 77          | 4309  | 19.20       | 1.7   |             |       |             |       | 89          | 3721  | 16.58       | 2.0   |             |       |             |       | 101         | 3292  | 14.67       | 2.2   |             |       |             |       | 120         | 2767  | 12.33 | 2.4   |             |       |       |       | 149   | 2235  | 9.96  | 2.7   |       |       |       |       | 153   | 2166  | 9.65  | 2.1   |       |       | 177   | 1872  | 8.34  | 2.4   | 201   | 1654  | 7.37  | 2.6   | 239   | 1391  | 6.20  | 3.1   | 47          | 10535 | 31.58 | 1.07 | 58          | 8507  | 25.5        | 1.33 | 69          | 7189  | 21.55       | 1.57  | 78          | 6342  | 19.01       | 1.63 | 90          | 5498  | 16.48       | 1.88  |             |       | 101         | 4894  |             |       | 14.67       | 2.1   | 117         | 4217  |             |       | 12.64       | 2.2   |             |       | 144         | 3426  | 10.27       | 2.6   | 169         | 2922  | 8.76        | 2.3   | 190         | 2599  | 7.79        | 2.2   | 220         | 2242  | 6.72        | 2.9   | 271         | 1821  | 5.46        | 3.1   | 320   | 1545  | 4.63        | 3.7   | <b>45kW</b> |       |             |       |       |       | <b>75kW</b> |       |             |       |             |       | 21    | 18874 | 69.15       | 0.90  | F 157       | 4     | 31    | 21413 | 47.07 | 0.79  | F 157       | 4     |             |       | 24    | 16655 | 61.02       | 1.02  |             |      |       |       | 28          | 14442 | 52.91       | 1.17  |       |      |             |       | 31          | 12848 | 47.07       | 1.32  |             |       |             |       | 36          | 11074 |             |       | 40.57       | 1.53  |             |       | 45          | 8999  | 32.97       | 1.88  |             |       |             |       | 53          | 7632  | 27.96 | 2.2   |             |       |       |       | 36    | 18456 | 40.57 | 0.92  |       |       | 45    | 14999 | 32.97 | 1.13  | 53    | 12719 |       |      | 27.96       | 1.33  | 58    | 11569 | 25.43       | 1.22  | 67          | 10081 | 22.16       | 1.68  | 75          | 8994  | 19.77       | 1.78  | 88          | 7665  | 16.85 | 2.2   | 106         | 6351  | 13.96 | 2.5   | 124   | 5423  | 11.92       | 2.8   | 58          | 11600 | 25.50       | 0.97  | 69          | 9803 | 21.55       | 1.2   | 78          | 8648 | 19.01       | 1.2   | 90          | 7497  | 16.48       | 1.4   | 101         | 6674  | 14.67       | 1.5   | 117         | 5750  | 12.64       | 1.6   | 144         | 4672  |             |       | 10.27       | 1.9   | 169         | 3985  | 8.76        | 1.7   | 190         | 3544  | 7.79        | 1.6   |             |       | 220         | 3057  | 6.72        | 2.2   | 271         | 2484  | 5.46        | 2.3   | 320   | 2106  | 4.63        | 2.7   | <b>45kW</b> |       |             |       |       |       | <b>75kW</b> |       |             |       |       |       | 30    | 13426 | 49.19       | 0.84  | F 127 | 4    | 58    | 11600 | 25.50       | 0.97  | F 127       | 4     |       |       | 35          | 11595 | 42.48 | 0.97  |             |       |       |       | 39          | 10255 |       |       |       |       |             |       | 37.57       | 1.10  |       |       |       |       | 47          | 8620  |             |       | 31.58 | 1.31  | 58          | 6960  |             |       |             |       | 25.50       | 1.62  | 55          | 7391  |             |      |       |       | 26.92       | 1.08  | 60    | 6758  |       |       |             |       | 24.97 | 1.18  | 69          | 5882  |       |      | 21.55 | 1.92  | 78          | 5189  | 19.01 | 2.0   | 90    | 4498  | 16.48       | 2.3   | 101   | 4004  | 14.67 | 2.6  | 117   | 3450  | 12.64       | 2.7   | 144         | 2803  | 10.27 | 3.2  | 169   | 2391  | 8.76        | 2.8   | 190   | 2126  | 7.79  | 2.7   | 220         | 1834  | 6.72  | 3.6  | 271   | 1490  | 5.46  | 3.8  |             |       |       |      |       |      |       |       |       |      |       |       |             |       |       |      |       |      |             |       |       |      |             |       |             |       |             |      |       |      |             |       |             |      |       |      |       |       |       |       |             |       |       |      |       |       |       |       |             |       |       |      |             |       |       |      |             |       |             |      |       |       |       |       |             |       |       |      |       |       |       |      |             |       |       |       |       |      |       |       |       |       |       |       |       |       |       |      |       |      |       |       |       |       |       |       |       |       |       |      |       |      |       |      |       |      |       |      |       |      |       |      |       |      |       |      |       |      |       |      |       |      |       |      |       |      |       |      |       |      |       |      |       |      |       |      |       |      |       |      |      |      |      |      |      |      |      |      |      |      |
| 90            | 3699       | 16.48    | 2.8                    |             |         | 101           | 3292       | 14.67       | 3.1                    |             |         | 117         | 2837  | 12.64       | 3.3   | 144         | 2305  | 10.27       | 3.9   | 169         | 1966  | 8.76        | 3.3   |             |       | 190         | 1748  | 7.79        | 3.2   | 24          | 20357 | 61.02       | 0.83  |             |       | 28          | 17651 | 52.91       | 0.96  | 31          | 15703 | 47.07       | 1.08  | 36          | 13534 | 40.57       | 1.25  | 45          | 10999 | 32.97       | 1.54  | 53          | 9328  | 27.96       | 1.81  | 58          | 8484  | 25.43       | 1.66  | 67          | 7393  | 22.16       | 2.3   | 75          | 6595  | 19.77       | 2.4   | 88          | 5621  | 16.85       | 3.0   | <b>45kW</b> |       |             |       |             |       | <b>55kW</b> |       |             |       |             |       | 54          | 6156  | 27.43       | 1.20  | F 107       | 4     | 39          | 12534 | 37.57       | 0.90  | F 127       | 4     |             |       | 58          | 5680  | 25.31       | 1.30  |             |       |             |       | 68          | 4883  | 21.76       | 1.51  |             |       |             |       | 77          | 4309  | 19.20       | 1.7   |             |       |             |       | 89          | 3721  | 16.58       | 2.0   |             |       |             |       | 101         | 3292  | 14.67       | 2.2   |             |       |             |       | 120         | 2767  | 12.33       | 2.4   |             |       |             |       | 149         | 2235  | 9.96  | 2.7   |             |       |       |       | 153   | 2166  | 9.65  | 2.1   |       |       |       |       | 177   | 1872  | 8.34  | 2.4   |       |       | 201   | 1654  | 7.37  | 2.6   | 239   | 1391  | 6.20  | 3.1   | 47    | 10535 | 31.58 | 1.07  | 58          | 8507  | 25.5  | 1.33 | 69          | 7189  | 21.55       | 1.57 | 78          | 6342  | 19.01       | 1.63  | 90          | 5498  | 16.48       | 1.88 | 101         | 4894  | 14.67       | 2.1   |             |       | 117         | 4217  | 12.64       | 2.2   | 144         | 3426  | 10.27       | 2.6   |             |       | 169         | 2922  | 8.76        | 2.3   | 190         | 2599  | 7.79        | 2.2   | 220         | 2242  | 6.72        | 2.9   | 271         | 1821  | 5.46        | 3.1   | 320         | 1545  | 4.63        | 3.7   | <b>45kW</b> |       |             |       |       |       | <b>75kW</b> |       |             |       |             |       | 21    | 18874 | 69.15       | 0.90  | F 157       | 4     | 31          | 21413 | 47.07 | 0.79  | F 157       | 4     |             |       | 24    | 16655 | 61.02 | 1.02  |             |       |             |       | 28    | 14442 | 52.91       | 1.17  |             |      |       |       | 31          | 12848 | 47.07       | 1.32  |       |      |             |       | 36          | 11074 | 40.57       | 1.53  |             |       |             |       | 45          | 8999  |             |       | 32.97       | 1.88  |             |       | 53          | 7632  | 27.96       | 2.2   |             |       |             |       | 36          | 18456 | 40.57 | 0.92  |             |       | 45    | 14999 | 32.97 | 1.13  | 53    | 12719 |       |       | 27.96 | 1.33  | 58    | 11569 | 25.43 | 1.22  |       |      | 67          | 10081 | 22.16 | 1.68  | 75          | 8994  | 19.77       | 1.78  | 88          | 7665  | 16.85       | 2.2   | 106         | 6351  | 13.96       | 2.5   | 124   | 5423  | 11.92       | 2.8   | 58    | 11600 | 25.50 | 0.97  | 69          | 9803  | 21.55       | 1.2   | 78          | 8648  | 19.01       | 1.2  | 90          | 7497  | 16.48       | 1.4  | 101         | 6674  | 14.67       | 1.5   | 117         | 5750  | 12.64       | 1.6   | 144         | 4672  | 10.27       | 1.9   | 169         | 3985  | 8.76        | 1.7   |             |       | 190         | 3544  | 7.79        | 1.6   | 220         | 3057  | 6.72        | 2.2   | 271         | 2484  | 5.46        | 2.3   | 320         | 2106  | 4.63        | 2.7   | <b>45kW</b> |       |             |       |       |       | <b>75kW</b> |       |             |       |             |       | 30    | 13426 | 49.19       | 0.84  | F 127       | 4     | 58    | 11600 | 25.50 | 0.97  | F 127       | 4     |       |      | 35    | 11595 | 42.48       | 0.97  |             |       |       |       | 39          | 10255 | 37.57 | 1.10  |             |       |       |       | 47          | 8620  |       |       |       |       |             |       | 31.58       | 1.31  |       |       |       |       | 58          | 6960  |             |       | 25.50 | 1.62  | 55          | 7391  |             |       |             |       | 26.92       | 1.08  | 60          | 6758  |             |      |       |       | 24.97       | 1.18  | 69    | 5882  |       |       |             |       | 21.55 | 1.92  | 78          | 5189  |       |      | 19.01 | 2.0   | 90          | 4498  | 16.48 | 2.3   | 101   | 4004  | 14.67       | 2.6   | 117   | 3450  | 12.64 | 2.7  | 144   | 2803  | 10.27       | 3.2   | 169         | 2391  | 8.76  | 2.8  | 190   | 2126  | 7.79        | 2.7   | 220   | 1834  | 6.72  | 3.6   | 271         | 1490  | 5.46  | 3.8  |       |       |       |      |             |       |       |      |       |      |       |       |       |      |       |       |             |       |       |      |       |      |             |       |       |      |             |       |             |       |             |      |       |      |             |       |             |      |       |      |       |       |       |       |             |       |       |      |       |       |       |       |             |       |       |      |             |       |       |      |             |       |             |      |       |       |       |       |             |       |       |      |       |       |       |      |             |       |       |       |       |      |       |       |       |       |       |       |       |       |       |      |       |      |       |       |       |       |       |       |       |       |       |      |       |      |       |      |       |      |       |      |       |      |       |      |       |      |       |      |       |      |       |      |       |      |       |      |       |      |       |      |       |      |       |      |       |      |       |      |       |      |       |      |      |      |      |      |      |      |      |      |      |      |
| 101           | 3292       | 14.67    | 3.1                    |             |         | 117           | 2837       | 12.64       | 3.3                    |             |         | 144         | 2305  | 10.27       | 3.9   | 169         | 1966  | 8.76        | 3.3   | 190         | 1748  | 7.79        | 3.2   | 24          | 20357 | 61.02       | 0.83  | 28          | 17651 | 52.91       | 0.96  | 31          | 15703 | 47.07       | 1.08  | 36          | 13534 | 40.57       | 1.25  | 45          | 10999 | 32.97       | 1.54  | 53          | 9328  | 27.96       | 1.81  | 58          | 8484  | 25.43       | 1.66  | 67          | 7393  | 22.16       | 2.3   | 75          | 6595  | 19.77       | 2.4   | 88          | 5621  | 16.85       | 3.0   | <b>45kW</b> |       |             |       |             |       | <b>55kW</b> |       |             |       |             |       | 54          | 6156  | 27.43       | 1.20  | F 107       | 4     | 39          | 12534 | 37.57       | 0.90  | F 127       | 4     |             |       | 58          | 5680  | 25.31       | 1.30  |             |       |             |       | 68          | 4883  | 21.76       | 1.51  |             |       |             |       | 77          | 4309  | 19.20       | 1.7   |             |       |             |       | 89          | 3721  | 16.58       | 2.0   |             |       |             |       | 101         | 3292  | 14.67       | 2.2   |             |       |             |       | 120         | 2767  | 12.33       | 2.4   |             |       |             |       | 149         | 2235  | 9.96        | 2.7   |             |       |             |       | 153         | 2166  | 9.65  | 2.1   |             |       |       |       | 177   | 1872  | 8.34  | 2.4   |       |       |       |       | 201   | 1654  | 7.37  | 2.6   |       |       | 239   | 1391  | 6.20  | 3.1   | 47    | 10535 | 31.58 | 1.07  | 58    | 8507  | 25.5  | 1.33  | 69          | 7189  | 21.55 | 1.57 | 78          | 6342  | 19.01       | 1.63 | 90          | 5498  | 16.48       | 1.88  | 101         | 4894  | 14.67       | 2.1  | 117         | 4217  | 12.64       | 2.2   | 144         | 3426  | 10.27       | 2.6   | 169         | 2922  | 8.76        | 2.3   | 190         | 2599  | 7.79        | 2.2   | 220         | 2242  | 6.72        | 2.9   | 271         | 1821  | 5.46        | 3.1   | 320         | 1545  | 4.63        | 3.7   | <b>45kW</b> |       |             |       |             |       | <b>75kW</b> |       |             |       |             |       | 21    | 18874 | 69.15       | 0.90  | F 157       | 4     | 31          | 21413 | 47.07 | 0.79  | F 157       | 4     |             |       | 24          | 16655 | 61.02 | 1.02  |             |       |             |       | 28    | 14442 | 52.91 | 1.17  |             |       |             |       | 31    | 12848 | 47.07       | 1.32  |             |      |       |       | 36          | 11074 | 40.57       | 1.53  |       |      |             |       | 45          | 8999  | 32.97       | 1.88  |             |       |             |       | 53          | 7632  |             |       | 27.96       | 2.2   |             |       | 36          | 18456 | 40.57       | 0.92  |             |       | 45          | 14999 | 32.97       | 1.13  | 53    | 12719 |             |       | 27.96 | 1.33  | 58    | 11569 | 25.43 | 1.22  |       |       | 67    | 10081 | 22.16 | 1.68  | 75    | 8994  |       |      | 19.77       | 1.78  | 88    | 7665  | 16.85       | 2.2   | 106         | 6351  | 13.96       | 2.5   | 124         | 5423  | 11.92       | 2.8   | 58          | 11600 | 25.50 | 0.97  | 69          | 9803  | 21.55 | 1.2   | 78    | 8648  | 19.01       | 1.2   | 90          | 7497  | 16.48       | 1.4   | 101         | 6674 | 14.67       | 1.5   | 117         | 5750 | 12.64       | 1.6   | 144         | 4672  | 10.27       | 1.9   | 169         | 3985  | 8.76        | 1.7   | 190         | 3544  | 7.79        | 1.6   | 220         | 3057  | 6.72        | 2.2   | 271         | 2484  | 5.46        | 2.3   | 320         | 2106  | 4.63        | 2.7   | <b>45kW</b> |       |             |       |             |       | <b>75kW</b> |       |             |       |             |       | 30    | 13426 | 49.19       | 0.84  | F 127       | 4     | 58          | 11600 | 25.50 | 0.97  | F 127       | 4     |             |       | 35    | 11595 | 42.48 | 0.97  |             |       |       |      | 39    | 10255 | 37.57       | 1.10  |             |       |       |       | 47          | 8620  | 31.58 | 1.31  |             |       |       |       | 58          | 6960  |       |       |       |       |             |       | 25.50       | 1.62  |       |       |       |       | 55          | 7391  |             |       | 26.92 | 1.08  | 60          | 6758  |             |       |             |       | 24.97       | 1.18  | 69          | 5882  |             |      |       |       | 21.55       | 1.92  | 78    | 5189  |       |       |             |       | 19.01 | 2.0   | 90          | 4498  |       |      | 16.48 | 2.3   | 101         | 4004  | 14.67 | 2.6   | 117   | 3450  | 12.64       | 2.7   | 144   | 2803  | 10.27 | 3.2  | 169   | 2391  | 8.76        | 2.8   | 190         | 2126  | 7.79  | 2.7  | 220   | 1834  | 6.72        | 3.6   | 271   | 1490  | 5.46  | 3.8   |             |       |       |      |       |       |       |      |             |       |       |      |       |      |       |       |       |      |       |       |             |       |       |      |       |      |             |       |       |      |             |       |             |       |             |      |       |      |             |       |             |      |       |      |       |       |       |       |             |       |       |      |       |       |       |       |             |       |       |      |             |       |       |      |             |       |             |      |       |       |       |       |             |       |       |      |       |       |       |      |             |       |       |       |       |      |       |       |       |       |       |       |       |       |       |      |       |      |       |       |       |       |       |       |       |       |       |      |       |      |       |      |       |      |       |      |       |      |       |      |       |      |       |      |       |      |       |      |       |      |       |      |       |      |       |      |       |      |       |      |       |      |       |      |       |      |       |      |      |      |      |      |      |      |      |      |      |      |
| 117           | 2837       | 12.64    | 3.3                    |             |         | 144           | 2305       | 10.27       | 3.9                    |             |         | 169         | 1966  | 8.76        | 3.3   | 190         | 1748  | 7.79        | 3.2   | 24          | 20357 | 61.02       | 0.83  | 28          | 17651 | 52.91       | 0.96  | 31          | 15703 | 47.07       | 1.08  | 36          | 13534 | 40.57       | 1.25  | 45          | 10999 | 32.97       | 1.54  | 53          | 9328  | 27.96       | 1.81  | 58          | 8484  | 25.43       | 1.66  | 67          | 7393  | 22.16       | 2.3   | 75          | 6595  | 19.77       | 2.4   | 88          | 5621  | 16.85       | 3.0   | <b>45kW</b> |       |             |       |             |       | <b>55kW</b> |       |             |       |             |       | 54          | 6156  | 27.43       | 1.20  | F 107       | 4     | 39          | 12534 |             |       | 37.57       | 0.90  | F 127       | 4     |             |       |             |       | 58          | 5680  | 25.31       | 1.30  |             |       |             |       | 68          | 4883  | 21.76       | 1.51  |             |       |             |       | 77          | 4309  | 19.20       | 1.7   |             |       |             |       | 89          | 3721  | 16.58       | 2.0   |             |       |             |       | 101         | 3292  | 14.67       | 2.2   |             |       |             |       | 120         | 2767  | 12.33       | 2.4   |             |       |             |       | 149         | 2235  | 9.96        | 2.7   |             |       |             |       | 153         | 2166  | 9.65  | 2.1   |             |       |       |       | 177   | 1872  | 8.34  | 2.4   |       |       |       |       | 201   | 1654  | 7.37  | 2.6   |       |       | 239   | 1391  | 6.20  | 3.1   | 47    | 10535 | 31.58 | 1.07  | 58    | 8507  | 25.5  | 1.33  | 69          | 7189  | 21.55 | 1.57 | 78          | 6342  | 19.01       | 1.63 | 90          | 5498  | 16.48       | 1.88  | 101         | 4894  | 14.67       | 2.1  | 117         | 4217  | 12.64       | 2.2   | 144         | 3426  | 10.27       | 2.6   | 169         | 2922  | 8.76        | 2.3   | 190         | 2599  | 7.79        | 2.2   | 220         | 2242  | 6.72        | 2.9   | 271         | 1821  | 5.46        | 3.1   | 320         | 1545  | 4.63        | 3.7   | <b>45kW</b> |       |             |       |             |       | <b>75kW</b> |       |             |       |             |       | 21    | 18874 | 69.15       | 0.90  |             |       | F 157       | 4     | 31    | 21413 |             |       |             |       | 47.07       | 0.79  | F 157 | 4     |             |       |             |       | 24    | 16655 | 61.02 | 1.02  |             |       |             |       | 28    | 14442 | 52.91       | 1.17  |             |      |       |       | 31          | 12848 | 47.07       | 1.32  |       |      |             |       | 36          | 11074 | 40.57       | 1.53  |             |       |             |       | 45          | 8999  |             |       | 32.97       | 1.88  | 53          | 7632  | 27.96       | 2.2   | 36          | 18456 |             |       | 40.57       | 0.92  | 45          | 14999 | 32.97 | 1.13  |             |       | 53    | 12719 | 27.96 | 1.33  | 58    | 11569 |       |       | 25.43 | 1.22  | 67    | 10081 | 22.16 | 1.68  |       |      | 75          | 8994  | 19.77 | 1.78  | 88          | 7665  | 16.85       | 2.2   | 106         | 6351  | 13.96       | 2.5   | 124         | 5423  | 11.92       | 2.8   | 58    | 11600 | 25.50       | 0.97  | 69    | 9803  | 21.55 | 1.2   | 78          | 8648  | 19.01       | 1.2   | 90          | 7497  | 16.48       | 1.4  | 101         | 6674  | 14.67       | 1.5  | 117         | 5750  | 12.64       | 1.6   | 144         | 4672  | 10.27       | 1.9   | 169         | 3985  | 8.76        | 1.7   | 190         | 3544  | 7.79        | 1.6   | 220         | 3057  | 6.72        | 2.2   | 271         | 2484  | 5.46        | 2.3   | 320         | 2106  | 4.63        | 2.7   | <b>45kW</b> |       |             |       |             |       | <b>75kW</b> |       |             |       |       |       | 30          | 13426 |             |       | 49.19       | 0.84  | F 127 | 4     |             |       |             |       | 58    | 11600 | 25.50 | 0.97  |             |       |       |      | F 127 | 4     | 35          | 11595 |             |       |       |       | 42.48       | 0.97  | 39    | 10255 |             |       |       |       | 37.57       | 1.10  |       |       |       |       |             |       | 47          | 8620  |       |       |       |       | 31.58       | 1.31  |             |       | 58    | 6960  | 25.50       | 1.62  |             |       |             |       | 55          | 7391  | 26.92       | 1.08  |             |      |       |       | 60          | 6758  | 24.97 | 1.18  |       |       |             |       | 69    | 5882  | 21.55       | 1.92  |       |      | 78    | 5189  | 19.01       | 2.0   | 90    | 4498  | 16.48 | 2.3   | 101         | 4004  | 14.67 | 2.6   | 117   | 3450 | 12.64 | 2.7   | 144         | 2803  | 10.27       | 3.2   | 169   | 2391 | 8.76  | 2.8   | 190         | 2126  | 7.79  | 2.7   | 220   | 1834  | 6.72        | 3.6   | 271   | 1490 | 5.46  | 3.8   |       |      |             |       |       |      |       |      |       |       |       |      |       |       |             |       |       |      |       |      |             |       |       |      |             |       |             |       |             |      |       |      |             |       |             |      |       |      |       |       |       |       |             |       |       |      |       |       |       |       |             |       |       |      |             |       |       |      |             |       |             |      |       |       |       |       |             |       |       |      |       |       |       |      |             |       |       |       |       |      |       |       |       |       |       |       |       |       |       |      |       |      |       |       |       |       |       |       |       |       |       |      |       |      |       |      |       |      |       |      |       |      |       |      |       |      |       |      |       |      |       |      |       |      |       |      |       |      |       |      |       |      |       |      |       |      |       |      |       |      |       |      |      |      |      |      |      |      |      |      |      |      |
| 144           | 2305       | 10.27    | 3.9                    |             |         | 169           | 1966       | 8.76        | 3.3                    |             |         | 190         | 1748  | 7.79        | 3.2   | 24          | 20357 | 61.02       | 0.83  | 28          | 17651 | 52.91       | 0.96  | 31          | 15703 | 47.07       | 1.08  | 36          | 13534 | 40.57       | 1.25  | 45          | 10999 | 32.97       | 1.54  | 53          | 9328  | 27.96       | 1.81  | 58          | 8484  | 25.43       | 1.66  | 67          | 7393  | 22.16       | 2.3   | 75          | 6595  | 19.77       | 2.4   | 88          | 5621  | 16.85       | 3.0   | <b>45kW</b> |       |             |       |             |       | <b>55kW</b> |       |             |       |             |       | 54          | 6156  | 27.43       | 1.20  | F 107       | 4     | 39          | 12534 |             |       | 37.57       | 0.90  |             |       | F 127       | 4     |             |       |             |       |             |       | 58          | 5680  | 25.31       | 1.30  |             |       |             |       | 68          | 4883  | 21.76       | 1.51  |             |       |             |       | 77          | 4309  | 19.20       | 1.7   |             |       |             |       | 89          | 3721  | 16.58       | 2.0   |             |       |             |       | 101         | 3292  | 14.67       | 2.2   |             |       |             |       | 120         | 2767  | 12.33       | 2.4   |             |       |             |       | 149         | 2235  | 9.96        | 2.7   |             |       |             |       | 153         | 2166  | 9.65  | 2.1   |             |       |       |       | 177   | 1872  | 8.34  | 2.4   |       |       |       |       | 201   | 1654  | 7.37  | 2.6   |       |       | 239   | 1391  | 6.20  | 3.1   | 47    | 10535 | 31.58 | 1.07  | 58    | 8507  | 25.5  | 1.33  | 69          | 7189  | 21.55 | 1.57 | 78          | 6342  | 19.01       | 1.63 | 90          | 5498  | 16.48       | 1.88  | 101         | 4894  | 14.67       | 2.1  | 117         | 4217  | 12.64       | 2.2   | 144         | 3426  | 10.27       | 2.6   | 169         | 2922  | 8.76        | 2.3   | 190         | 2599  | 7.79        | 2.2   | 220         | 2242  | 6.72        | 2.9   | 271         | 1821  | 5.46        | 3.1   | 320         | 1545  | 4.63        | 3.7   | <b>45kW</b> |       |             |       |             |       | <b>75kW</b> |       |             |       |             |       | 21    | 18874 | 69.15       | 0.90  |             |       |             |       | F 157 | 4     |             |       |             |       | 31          | 21413 |       |       |             |       |             |       | 47.07 | 0.79  | F 157 | 4     |             |       |             |       | 24    | 16655 | 61.02       | 1.02  |             |      |       |       | 28          | 14442 | 52.91       | 1.17  |       |      |             |       | 31          | 12848 | 47.07       | 1.32  | 36          | 11074 |             |       | 40.57       | 1.53  |             |       | 45          | 8999  | 32.97       | 1.88  | 53          | 7632  | 27.96       | 2.2   |             |       | 36          | 18456 | 40.57       | 0.92  | 45    | 14999 |             |       | 32.97 | 1.13  | 53    | 12719 | 27.96 | 1.33  |       |       | 58    | 11569 | 25.43 | 1.22  | 67    | 10081 |       |      | 22.16       | 1.68  | 75    | 8994  | 19.77       | 1.78  | 88          | 7665  | 16.85       | 2.2   | 106         | 6351  | 13.96       | 2.5   | 124         | 5423  | 11.92 | 2.8   | 58          | 11600 | 25.50 | 0.97  | 69    | 9803  | 21.55       | 1.2   | 78          | 8648  | 19.01       | 1.2   | 90          | 7497 | 16.48       | 1.4   | 101         | 6674 | 14.67       | 1.5   | 117         | 5750  | 12.64       | 1.6   | 144         | 4672  | 10.27       | 1.9   | 169         | 3985  | 8.76        | 1.7   | 190         | 3544  | 7.79        | 1.6   | 220         | 3057  | 6.72        | 2.2   | 271         | 2484  | 5.46        | 2.3   | 320         | 2106  | 4.63        | 2.7   | <b>45kW</b> |       |             |       |             |       | <b>75kW</b> |       |       |       |             |       |             |       | 30          | 13426 |       |       |             |       |             |       | 49.19 | 0.84  | F 127 | 4     |             |       |       |      |       |       | 58          | 11600 |             |       |       |       | 25.50       | 0.97  | F 127 | 4     |             |       |       |       | 35          | 11595 |       |       |       |       |             |       | 42.48       | 0.97  |       |       |       |       | 39          | 10255 |             |       | 37.57 | 1.10  | 47          | 8620  |             |       |             |       | 31.58       | 1.31  | 58          | 6960  |             |      |       |       | 25.50       | 1.62  | 55    | 7391  |       |       |             |       | 26.92 | 1.08  | 60          | 6758  |       |      | 24.97 | 1.18  | 69          | 5882  | 21.55 | 1.92  | 78    | 5189  | 19.01       | 2.0   | 90    | 4498  | 16.48 | 2.3  | 101   | 4004  | 14.67       | 2.6   | 117         | 3450  | 12.64 | 2.7  | 144   | 2803  | 10.27       | 3.2   | 169   | 2391  | 8.76  | 2.8   | 190         | 2126  | 7.79  | 2.7  | 220   | 1834  | 6.72  | 3.6  | 271         | 1490  | 5.46  | 3.8  |       |      |       |       |       |      |       |       |             |       |       |      |       |      |             |       |       |      |             |       |             |       |             |      |       |      |             |       |             |      |       |      |       |       |       |       |             |       |       |      |       |       |       |       |             |       |       |      |             |       |       |      |             |       |             |      |       |       |       |       |             |       |       |      |       |       |       |      |             |       |       |       |       |      |       |       |       |       |       |       |       |       |       |      |       |      |       |       |       |       |       |       |       |       |       |      |       |      |       |      |       |      |       |      |       |      |       |      |       |      |       |      |       |      |       |      |       |      |       |      |       |      |       |      |       |      |       |      |       |      |       |      |       |      |       |      |      |      |      |      |      |      |      |      |      |      |
| 169           | 1966       | 8.76     | 3.3                    | 190         | 1748    | 7.79          | 3.2        | 24          | 20357                  | 61.02       | 0.83    | 28          | 17651 | 52.91       | 0.96  | 31          | 15703 | 47.07       | 1.08  | 36          | 13534 | 40.57       | 1.25  | 45          | 10999 | 32.97       | 1.54  | 53          | 9328  | 27.96       | 1.81  | 58          | 8484  | 25.43       | 1.66  | 67          | 7393  | 22.16       | 2.3   | 75          | 6595  | 19.77       | 2.4   | 88          | 5621  | 16.85       | 3.0   | <b>45kW</b> |       |             |       |             |       | <b>55kW</b> |       |             |       |             |       | 54          | 6156  | 27.43       | 1.20  | F 107       | 4     | 39          | 12534 | 37.57       | 0.90  | F 127       | 4     |             |       | 58          | 5680  |             |       | 25.31       | 1.30  |             |       |             |       |             |       |             |       |             |       | 68          | 4883  | 21.76       | 1.51  |             |       |             |       | 77          | 4309  | 19.20       | 1.7   |             |       |             |       | 89          | 3721  | 16.58       | 2.0   |             |       |             |       | 101         | 3292  | 14.67       | 2.2   |             |       |             |       | 120         | 2767  | 12.33       | 2.4   |             |       |             |       | 149         | 2235  | 9.96        | 2.7   |             |       |             |       | 153         | 2166  | 9.65        | 2.1   |             |       |             |       | 177         | 1872  | 8.34  | 2.4   |             |       |       |       | 201   | 1654  | 7.37  | 2.6   |       |       |       |       | 239   | 1391  | 6.20  | 3.1   |       |       | 47    | 10535 | 31.58 | 1.07  | 58    | 8507  | 25.5  | 1.33  | 69    | 7189  | 21.55 | 1.57  | 78          | 6342  | 19.01 | 1.63 | 90          | 5498  | 16.48       | 1.88 | 101         | 4894  | 14.67       | 2.1   | 117         | 4217  | 12.64       | 2.2  | 144         | 3426  | 10.27       | 2.6   | 169         | 2922  | 8.76        | 2.3   | 190         | 2599  | 7.79        | 2.2   | 220         | 2242  | 6.72        | 2.9   | 271         | 1821  | 5.46        | 3.1   | 320         | 1545  | 4.63        | 3.7   | <b>45kW</b> |       |             |       |             |       | <b>75kW</b> |       |             |       |             |       | 21          | 18874 | 69.15       | 0.90  | F 157 | 4     | 31          | 21413 |             |       |             |       |       |       |             |       |             |       | 47.07       | 0.79  |       |       |             |       |             |       | F 157 | 4     |       |       |             |       |             |       | 24    | 16655 | 61.02       | 1.02  |             |      |       |       | 28          | 14442 | 52.91       | 1.17  |       |      | 31          | 12848 | 47.07       | 1.32  | 36          | 11074 | 40.57       | 1.53  |             |       | 45          | 8999  |             |       | 32.97       | 1.88  | 53          | 7632  | 27.96       | 2.2   | 36          | 18456 |             |       | 40.57       | 0.92  | 45          | 14999 | 32.97 | 1.13  |             |       | 53    | 12719 | 27.96 | 1.33  | 58    | 11569 |       |       | 25.43 | 1.22  | 67    | 10081 | 22.16 | 1.68  |       |      | 75          | 8994  | 19.77 | 1.78  | 88          | 7665  | 16.85       | 2.2   | 106         | 6351  | 13.96       | 2.5   | 124         | 5423  | 11.92       | 2.8   | 58    | 11600 | 25.50       | 0.97  | 69    | 9803  | 21.55 | 1.2   | 78          | 8648  | 19.01       | 1.2   | 90          | 7497  | 16.48       | 1.4  | 101         | 6674  | 14.67       | 1.5  | 117         | 5750  | 12.64       | 1.6   | 144         | 4672  | 10.27       | 1.9   | 169         | 3985  | 8.76        | 1.7   | 190         | 3544  | 7.79        | 1.6   | 220         | 3057  | 6.72        | 2.2   | 271         | 2484  | 5.46        | 2.3   | 320         | 2106  | 4.63        | 2.7   | <b>45kW</b> |       |             |       |             |       | <b>75kW</b> |       |             |       |       |       | 30          | 13426 |             |       | 49.19       | 0.84  |       |       |             |       |             |       | F 127 | 4     |       |       |             |       |       |      |       |       | 58          | 11600 |             |       |       |       | 25.50       | 0.97  |       |       |             |       |       |       | F 127       | 4     |       |       |       |       |             |       | 35          | 11595 |       |       |       |       | 42.48       | 0.97  |             |       | 39    | 10255 | 37.57       | 1.10  |             |       |             |       | 47          | 8620  | 31.58       | 1.31  |             |      |       |       | 58          | 6960  | 25.50 | 1.62  |       |       |             |       | 55    | 7391  | 26.92       | 1.08  |       |      | 60    | 6758  | 24.97       | 1.18  | 69    | 5882  | 21.55 | 1.92  | 78          | 5189  | 19.01 | 2.0   | 90    | 4498 | 16.48 | 2.3   | 101         | 4004  | 14.67       | 2.6   | 117   | 3450 | 12.64 | 2.7   | 144         | 2803  | 10.27 | 3.2   | 169   | 2391  | 8.76        | 2.8   | 190   | 2126 | 7.79  | 2.7   | 220   | 1834 | 6.72        | 3.6   | 271   | 1490 | 5.46  | 3.8  |       |       |       |      |       |       |             |       |       |      |       |      |             |       |       |      |             |       |             |       |             |      |       |      |             |       |             |      |       |      |       |       |       |       |             |       |       |      |       |       |       |       |             |       |       |      |             |       |       |      |             |       |             |      |       |       |       |       |             |       |       |      |       |       |       |      |             |       |       |       |       |      |       |       |       |       |       |       |       |       |       |      |       |      |       |       |       |       |       |       |       |       |       |      |       |      |       |      |       |      |       |      |       |      |       |      |       |      |       |      |       |      |       |      |       |      |       |      |       |      |       |      |       |      |       |      |       |      |       |      |       |      |       |      |      |      |      |      |      |      |      |      |      |      |
| 190           | 1748       | 7.79     | 3.2                    | 24          | 20357   | 61.02         | 0.83       | 28          | 17651                  | 52.91       | 0.96    | 31          | 15703 | 47.07       | 1.08  | 36          | 13534 | 40.57       | 1.25  | 45          | 10999 | 32.97       | 1.54  | 53          | 9328  | 27.96       | 1.81  | 58          | 8484  | 25.43       | 1.66  | 67          | 7393  | 22.16       | 2.3   | 75          | 6595  | 19.77       | 2.4   | 88          | 5621  | 16.85       | 3.0   | <b>45kW</b> |       |             |       |             |       | <b>55kW</b> |       |             |       |             |       | 54          | 6156  | 27.43       | 1.20  | F 107       | 4     | 39          | 12534 |             |       | 37.57       | 0.90  | F 127       | 4     |             |       |             |       | 58          | 5680  |             |       | 25.31       | 1.30  |             |       |             |       |             |       |             |       |             |       | 68          | 4883  | 21.76       | 1.51  |             |       |             |       | 77          | 4309  | 19.20       | 1.7   |             |       |             |       | 89          | 3721  | 16.58       | 2.0   |             |       |             |       | 101         | 3292  | 14.67       | 2.2   |             |       |             |       | 120         | 2767  | 12.33       | 2.4   |             |       |             |       | 149         | 2235  | 9.96        | 2.7   |             |       |             |       | 153         | 2166  | 9.65        | 2.1   |             |       |             |       | 177         | 1872  | 8.34  | 2.4   |             |       |       |       | 201   | 1654  | 7.37  | 2.6   |       |       | 239   | 1391  | 6.20  | 3.1   | 47    | 10535 | 31.58 | 1.07  | 58    | 8507  | 25.5  | 1.33  | 69    | 7189  | 21.55 | 1.57  | 78    | 6342  | 19.01 | 1.63  | 90          | 5498  | 16.48 | 1.88 | 101         | 4894  | 14.67       | 2.1  | 117         | 4217  | 12.64       | 2.2   | 144         | 3426  | 10.27       | 2.6  | 169         | 2922  | 8.76        | 2.3   | 190         | 2599  | 7.79        | 2.2   | 220         | 2242  | 6.72        | 2.9   | 271         | 1821  | 5.46        | 3.1   | 320         | 1545  | 4.63        | 3.7   | <b>45kW</b> |       |             |       |             |       | <b>75kW</b> |       |             |       |             |       | 21          | 18874 | 69.15       | 0.90  | F 157       | 4     | 31          | 21413 |       |       | 47.07       | 0.79  |             |       |             |       |       |       |             |       |             |       | F 157       | 4     |       |       |             |       |             |       |       |       |       |       |             |       |             |       | 24    | 16655 | 61.02       | 1.02  |             |      | 28    | 14442 | 52.91       | 1.17  | 31          | 12848 |       |      | 47.07       | 1.32  | 36          | 11074 | 40.57       | 1.53  | 45          | 8999  |             |       | 32.97       | 1.88  |             |       | 53          | 7632  | 27.96       | 2.2   | 36          | 18456 | 40.57       | 0.92  |             |       | 45          | 14999 | 32.97       | 1.13  | 53    | 12719 |             |       | 27.96 | 1.33  | 58    | 11569 | 25.43 | 1.22  |       |       | 67    | 10081 | 22.16 | 1.68  | 75    | 8994  | 19.77 | 1.78 | 88          | 7665  | 16.85 | 2.2   | 106         | 6351  | 13.96       | 2.5   | 124         | 5423  | 11.92       | 2.8   | 58          | 11600 | 25.50       | 0.97  | 69    | 9803  | 21.55       | 1.2   | 78    | 8648  | 19.01 | 1.2   | 90          | 7497  | 16.48       | 1.4   | 101         | 6674  | 14.67       | 1.5  | 117         | 5750  | 12.64       | 1.6  | 144         | 4672  | 10.27       | 1.9   | 169         | 3985  | 8.76        | 1.7   | 190         | 3544  | 7.79        | 1.6   | 220         | 3057  | 6.72        | 2.2   | 271         | 2484  | 5.46        | 2.3   | 320         | 2106  | 4.63        | 2.7   | <b>45kW</b> |       |             |       |             |       | <b>75kW</b> |       |             |       |             |       | 30          | 13426 | 49.19 | 0.84  | F 127       | 4     |             |       | 58          | 11600 |       |       |             |       |             |       |       |       |       |       |             |       |       |      |       |       | 25.50       | 0.97  |             |       |       |       | F 127       | 4     |       |       |             |       |       |       |             |       |       |       |       |       |             |       | 35          | 11595 |       |       |       |       | 42.48       | 0.97  |             |       | 39    | 10255 | 37.57       | 1.10  |             |       |             |       | 47          | 8620  | 31.58       | 1.31  |             |      |       |       | 58          | 6960  | 25.50 | 1.62  |       |       |             |       | 55    | 7391  | 26.92       | 1.08  |       |      | 60    | 6758  | 24.97       | 1.18  | 69    | 5882  | 21.55 | 1.92  | 78          | 5189  | 19.01 | 2.0   | 90    | 4498 | 16.48 | 2.3   | 101         | 4004  | 14.67       | 2.6   | 117   | 3450 | 12.64 | 2.7   | 144         | 2803  | 10.27 | 3.2   | 169   | 2391  | 8.76        | 2.8   | 190   | 2126 | 7.79  | 2.7   | 220   | 1834 | 6.72        | 3.6   | 271   | 1490 | 5.46  | 3.8  |       |       |       |      |       |       |             |       |       |      |       |      |             |       |       |      |             |       |             |       |             |      |       |      |             |       |             |      |       |      |       |       |       |       |             |       |       |      |       |       |       |       |             |       |       |      |             |       |       |      |             |       |             |      |       |       |       |       |             |       |       |      |       |       |       |      |             |       |       |       |       |      |       |       |       |       |       |       |       |       |       |      |       |      |       |       |       |       |       |       |       |       |       |      |       |      |       |      |       |      |       |      |       |      |       |      |       |      |       |      |       |      |       |      |       |      |       |      |       |      |       |      |       |      |       |      |       |      |       |      |       |      |       |      |      |      |      |      |      |      |      |      |      |      |
| 24            | 20357      | 61.02    | 0.83                   | 28          | 17651   | 52.91         | 0.96       | 31          | 15703                  | 47.07       | 1.08    | 36          | 13534 | 40.57       | 1.25  | 45          | 10999 | 32.97       | 1.54  | 53          | 9328  | 27.96       | 1.81  | 58          | 8484  | 25.43       | 1.66  | 67          | 7393  | 22.16       | 2.3   | 75          | 6595  | 19.77       | 2.4   | 88          | 5621  | 16.85       | 3.0   | <b>45kW</b> |       |             |       |             |       | <b>55kW</b> |       |             |       |             |       | 54          | 6156  | 27.43       | 1.20  | F 107       | 4     | 39          | 12534 |             |       | 37.57       | 0.90  |             |       | F 127       | 4     |             |       |             |       |             |       | 58          | 5680  |             |       | 25.31       | 1.30  |             |       |             |       |             |       |             |       |             |       | 68          | 4883  | 21.76       | 1.51  |             |       |             |       | 77          | 4309  | 19.20       | 1.7   |             |       |             |       | 89          | 3721  | 16.58       | 2.0   |             |       |             |       | 101         | 3292  | 14.67       | 2.2   |             |       |             |       | 120         | 2767  | 12.33       | 2.4   |             |       |             |       | 149         | 2235  | 9.96        | 2.7   |             |       |             |       | 153         | 2166  | 9.65        | 2.1   |             |       |             |       | 177         | 1872  | 8.34  | 2.4   |             |       | 201   | 1654  | 7.37  | 2.6   | 239   | 1391  | 6.20  | 3.1   | 47    | 10535 | 31.58 | 1.07  | 58    | 8507  | 25.5  | 1.33  | 69    | 7189  | 21.55 | 1.57  | 78    | 6342  | 19.01 | 1.63  | 90    | 5498  | 16.48 | 1.88  | 101         | 4894  | 14.67 | 2.1  | 117         | 4217  | 12.64       | 2.2  | 144         | 3426  | 10.27       | 2.6   | 169         | 2922  | 8.76        | 2.3  | 190         | 2599  | 7.79        | 2.2   | 220         | 2242  | 6.72        | 2.9   | 271         | 1821  | 5.46        | 3.1   | 320         | 1545  | 4.63        | 3.7   | <b>45kW</b> |       |             |       |             |       | <b>75kW</b> |       |             |       |             |       | 21          | 18874 | 69.15       | 0.90  | F 157       | 4     | 31          | 21413 |             |       | 47.07       | 0.79  |       |       | F 157       | 4     |             |       |             |       |       |       |             |       |             |       |             |       |       |       |             |       |             |       |       |       |       |       |             |       | 24          | 16655 | 61.02 | 1.02  | 28          | 14442 |             |      | 52.91 | 1.17  | 31          | 12848 | 47.07       | 1.32  |       |      | 36          | 11074 | 40.57       | 1.53  | 45          | 8999  | 32.97       | 1.88  |             |       | 53          | 7632  |             |       | 27.96       | 2.2   | 36          | 18456 | 40.57       | 0.92  | 45          | 14999 |             |       | 32.97       | 1.13  | 53          | 12719 | 27.96 | 1.33  |             |       | 58    | 11569 | 25.43 | 1.22  | 67    | 10081 | 22.16 | 1.68  | 75    | 8994  | 19.77 | 1.78  | 88    | 7665  | 16.85 | 2.2  | 106         | 6351  | 13.96 | 2.5   | 124         | 5423  | 11.92       | 2.8   | 58          | 11600 | 25.50       | 0.97  | 69          | 9803  | 21.55       | 1.2   | 78    | 8648  | 19.01       | 1.2   | 90    | 7497  | 16.48 | 1.4   | 101         | 6674  | 14.67       | 1.5   | 117         | 5750  | 12.64       | 1.6  | 144         | 4672  | 10.27       | 1.9  | 169         | 3985  | 8.76        | 1.7   | 190         | 3544  | 7.79        | 1.6   | 220         | 3057  | 6.72        | 2.2   | 271         | 2484  | 5.46        | 2.3   | 320         | 2106  | 4.63        | 2.7   | <b>45kW</b> |       |             |       |             |       | <b>75kW</b> |       |             |       |             |       | 30          | 13426 | 49.19       | 0.84  | F 127       | 4     | 58    | 11600 |             |       |             |       | 25.50       | 0.97  |       |       |             |       |             |       |       |       |       |       |             |       |       |      |       |       | F 127       | 4     |             |       |       |       |             |       |       |       |             |       |       |       |             |       |       |       |       |       |             |       | 35          | 11595 |       |       |       |       | 42.48       | 0.97  |             |       | 39    | 10255 | 37.57       | 1.10  |             |       |             |       | 47          | 8620  | 31.58       | 1.31  |             |      |       |       | 58          | 6960  | 25.50 | 1.62  |       |       |             |       | 55    | 7391  | 26.92       | 1.08  |       |      | 60    | 6758  | 24.97       | 1.18  | 69    | 5882  | 21.55 | 1.92  | 78          | 5189  | 19.01 | 2.0   | 90    | 4498 | 16.48 | 2.3   | 101         | 4004  | 14.67       | 2.6   | 117   | 3450 | 12.64 | 2.7   | 144         | 2803  | 10.27 | 3.2   | 169   | 2391  | 8.76        | 2.8   | 190   | 2126 | 7.79  | 2.7   | 220   | 1834 | 6.72        | 3.6   | 271   | 1490 | 5.46  | 3.8  |       |       |       |      |       |       |             |       |       |      |       |      |             |       |       |      |             |       |             |       |             |      |       |      |             |       |             |      |       |      |       |       |       |       |             |       |       |      |       |       |       |       |             |       |       |      |             |       |       |      |             |       |             |      |       |       |       |       |             |       |       |      |       |       |       |      |             |       |       |       |       |      |       |       |       |       |       |       |       |       |       |      |       |      |       |       |       |       |       |       |       |       |       |      |       |      |       |      |       |      |       |      |       |      |       |      |       |      |       |      |       |      |       |      |       |      |       |      |       |      |       |      |       |      |       |      |       |      |       |      |       |      |       |      |      |      |      |      |      |      |      |      |      |      |
| 28            | 17651      | 52.91    | 0.96                   | 31          | 15703   | 47.07         | 1.08       | 36          | 13534                  | 40.57       | 1.25    | 45          | 10999 | 32.97       | 1.54  | 53          | 9328  | 27.96       | 1.81  | 58          | 8484  | 25.43       | 1.66  | 67          | 7393  | 22.16       | 2.3   | 75          | 6595  | 19.77       | 2.4   | 88          | 5621  | 16.85       | 3.0   | <b>45kW</b> |       |             |       |             |       | <b>55kW</b> |       |             |       |             |       | 54          | 6156  | 27.43       | 1.20  | F 107       | 4     | 39          | 12534 |             |       | 37.57       | 0.90  |             |       | F 127       | 4     |             |       |             |       |             |       |             |       |             |       | 58          | 5680  |             |       | 25.31       | 1.30  |             |       |             |       |             |       |             |       |             |       | 68          | 4883  | 21.76       | 1.51  |             |       |             |       | 77          | 4309  | 19.20       | 1.7   |             |       |             |       | 89          | 3721  | 16.58       | 2.0   |             |       |             |       | 101         | 3292  | 14.67       | 2.2   |             |       |             |       | 120         | 2767  | 12.33       | 2.4   |             |       |             |       | 149         | 2235  | 9.96        | 2.7   |             |       |             |       | 153         | 2166  | 9.65        | 2.1   |             |       | 177         | 1872  | 8.34        | 2.4   | 201   | 1654  | 7.37        | 2.6   | 239   | 1391  | 6.20  | 3.1   | 47    | 10535 | 31.58 | 1.07  | 58    | 8507  | 25.5  | 1.33  | 69    | 7189  | 21.55 | 1.57  | 78    | 6342  | 19.01 | 1.63  | 90    | 5498  | 16.48 | 1.88  | 101   | 4894  | 14.67 | 2.1   | 117         | 4217  | 12.64 | 2.2  | 144         | 3426  | 10.27       | 2.6  | 169         | 2922  | 8.76        | 2.3   | 190         | 2599  | 7.79        | 2.2  | 220         | 2242  | 6.72        | 2.9   | 271         | 1821  | 5.46        | 3.1   | 320         | 1545  | 4.63        | 3.7   | <b>45kW</b> |       |             |       |             |       | <b>75kW</b> |       |             |       |             |       | 21          | 18874 | 69.15       | 0.90  | F 157       | 4     | 31          | 21413 |             |       | 47.07       | 0.79  |             |       | F 157       | 4     |       |       |             |       |             |       |             |       |       |       |             |       |             |       |             |       |       |       |             |       | 24          | 16655 |       |       |       |       |             |       | 61.02       | 1.02  | 28    | 14442 | 52.91       | 1.17  |             |      | 31    | 12848 | 47.07       | 1.32  | 36          | 11074 |       |      | 40.57       | 1.53  | 45          | 8999  | 32.97       | 1.88  | 53          | 7632  |             |       | 27.96       | 2.2   |             |       | 36          | 18456 | 40.57       | 0.92  | 45          | 14999 | 32.97       | 1.13  |             |       | 53          | 12719 | 27.96       | 1.33  | 58    | 11569 | 25.43       | 1.22  | 67    | 10081 | 22.16 | 1.68  | 75    | 8994  | 19.77 | 1.78  | 88    | 7665  | 16.85 | 2.2   | 106   | 6351  | 13.96 | 2.5  | 124         | 5423  | 11.92 | 2.8   | 58          | 11600 | 25.50       | 0.97  | 69          | 9803  | 21.55       | 1.2   | 78          | 8648  | 19.01       | 1.2   | 90    | 7497  | 16.48       | 1.4   | 101   | 6674  | 14.67 | 1.5   | 117         | 5750  | 12.64       | 1.6   | 144         | 4672  | 10.27       | 1.9  | 169         | 3985  | 8.76        | 1.7  | 190         | 3544  | 7.79        | 1.6   | 220         | 3057  | 6.72        | 2.2   | 271         | 2484  | 5.46        | 2.3   | 320         | 2106  | 4.63        | 2.7   | <b>45kW</b> |       |             |       |             |       | <b>75kW</b> |       |             |       |             |       | 30          | 13426 | 49.19       | 0.84  | F 127       | 4     | 58          | 11600 |             |       | 25.50 | 0.97  |             |       |             |       | F 127       | 4     |       |       |             |       |             |       |       |       |       |       |             |       |       |      |       |       |             |       |             |       |       |       |             |       |       |       |             |       |       |       |             |       |       |       |       |       |             |       | 35          | 11595 |       |       |       |       | 42.48       | 0.97  |             |       | 39    | 10255 | 37.57       | 1.10  |             |       |             |       | 47          | 8620  | 31.58       | 1.31  |             |      |       |       | 58          | 6960  | 25.50 | 1.62  |       |       |             |       | 55    | 7391  | 26.92       | 1.08  |       |      | 60    | 6758  | 24.97       | 1.18  | 69    | 5882  | 21.55 | 1.92  | 78          | 5189  | 19.01 | 2.0   | 90    | 4498 | 16.48 | 2.3   | 101         | 4004  | 14.67       | 2.6   | 117   | 3450 | 12.64 | 2.7   | 144         | 2803  | 10.27 | 3.2   | 169   | 2391  | 8.76        | 2.8   | 190   | 2126 | 7.79  | 2.7   | 220   | 1834 | 6.72        | 3.6   | 271   | 1490 | 5.46  | 3.8  |       |       |       |      |       |       |             |       |       |      |       |      |             |       |       |      |             |       |             |       |             |      |       |      |             |       |             |      |       |      |       |       |       |       |             |       |       |      |       |       |       |       |             |       |       |      |             |       |       |      |             |       |             |      |       |       |       |       |             |       |       |      |       |       |       |      |             |       |       |       |       |      |       |       |       |       |       |       |       |       |       |      |       |      |       |       |       |       |       |       |       |       |       |      |       |      |       |      |       |      |       |      |       |      |       |      |       |      |       |      |       |      |       |      |       |      |       |      |       |      |       |      |       |      |       |      |       |      |       |      |       |      |       |      |      |      |      |      |      |      |      |      |      |      |
| 31            | 15703      | 47.07    | 1.08                   | 36          | 13534   | 40.57         | 1.25       | 45          | 10999                  | 32.97       | 1.54    | 53          | 9328  | 27.96       | 1.81  | 58          | 8484  | 25.43       | 1.66  | 67          | 7393  | 22.16       | 2.3   | 75          | 6595  | 19.77       | 2.4   | 88          | 5621  | 16.85       | 3.0   | <b>45kW</b> |       |             |       |             |       | <b>55kW</b> |       |             |       |             |       | 54          | 6156  | 27.43       | 1.20  | F 107       | 4     | 39          | 12534 |             |       | 37.57       | 0.90  |             |       | F 127       | 4     |             |       |             |       |             |       |             |       |             |       |             |       |             |       | 58          | 5680  |             |       | 25.31       | 1.30  |             |       |             |       |             |       |             |       |             |       | 68          | 4883  | 21.76       | 1.51  |             |       |             |       | 77          | 4309  | 19.20       | 1.7   |             |       |             |       | 89          | 3721  | 16.58       | 2.0   |             |       |             |       | 101         | 3292  | 14.67       | 2.2   |             |       |             |       | 120         | 2767  | 12.33       | 2.4   |             |       |             |       | 149         | 2235  | 9.96        | 2.7   |             |       | 153         | 2166  | 9.65        | 2.1   | 177         | 1872  | 8.34        | 2.4   | 201         | 1654  | 7.37        | 2.6   | 239   | 1391  | 6.20        | 3.1   | 47    | 10535 | 31.58 | 1.07  | 58    | 8507  | 25.5  | 1.33  | 69    | 7189  | 21.55 | 1.57  | 78    | 6342  | 19.01 | 1.63  | 90    | 5498  | 16.48 | 1.88  | 101   | 4894  | 14.67 | 2.1   | 117   | 4217  | 12.64 | 2.2   | 144         | 3426  | 10.27 | 2.6  | 169         | 2922  | 8.76        | 2.3  | 190         | 2599  | 7.79        | 2.2   | 220         | 2242  | 6.72        | 2.9  | 271         | 1821  | 5.46        | 3.1   | 320         | 1545  | 4.63        | 3.7   | <b>45kW</b> |       |             |       |             |       | <b>75kW</b> |       |             |       |             |       | 21          | 18874 | 69.15       | 0.90  | F 157       | 4     | 31          | 21413 |             |       | 47.07       | 0.79  |             |       | F 157       | 4     |             |       |             |       |       |       |             |       |             |       |             |       |       |       |             |       | 24          | 16655 |             |       |       |       |             |       | 61.02       | 1.02  |       |       |       |       |             |       | 28          | 14442 | 52.91 | 1.17  | 31          | 12848 |             |      | 47.07 | 1.32  | 36          | 11074 | 40.57       | 1.53  |       |      | 45          | 8999  | 32.97       | 1.88  | 53          | 7632  | 27.96       | 2.2   |             |       | 36          | 18456 |             |       | 40.57       | 0.92  | 45          | 14999 | 32.97       | 1.13  | 53          | 12719 | 27.96       | 1.33  | 58          | 11569 | 25.43       | 1.22  | 67    | 10081 | 22.16       | 1.68  | 75    | 8994  | 19.77 | 1.78  | 88    | 7665  | 16.85 | 2.2   | 106   | 6351  | 13.96 | 2.5   | 124   | 5423  | 11.92 | 2.8  | 58          | 11600 | 25.50 | 0.97  | 69          | 9803  | 21.55       | 1.2   | 78          | 8648  | 19.01       | 1.2   | 90          | 7497  | 16.48       | 1.4   | 101   | 6674  | 14.67       | 1.5   | 117   | 5750  | 12.64 | 1.6   | 144         | 4672  | 10.27       | 1.9   | 169         | 3985  | 8.76        | 1.7  | 190         | 3544  | 7.79        | 1.6  | 220         | 3057  | 6.72        | 2.2   | 271         | 2484  | 5.46        | 2.3   | 320         | 2106  | 4.63        | 2.7   | <b>45kW</b> |       |             |       |             |       | <b>75kW</b> |       |             |       |             |       | 30          | 13426 | 49.19       | 0.84  | F 127       | 4     | 58          | 11600 |             |       | 25.50       | 0.97  |             |       | F 127 | 4     |             |       |             |       |             |       |       |       |             |       |             |       |       |       |       |       |             |       |       |      |       |       |             |       |             |       |       |       |             |       |       |       |             |       |       |       |             |       |       |       |       |       |             |       | 35          | 11595 |       |       |       |       | 42.48       | 0.97  |             |       | 39    | 10255 | 37.57       | 1.10  |             |       |             |       | 47          | 8620  | 31.58       | 1.31  |             |      |       |       | 58          | 6960  | 25.50 | 1.62  |       |       |             |       | 55    | 7391  | 26.92       | 1.08  |       |      | 60    | 6758  | 24.97       | 1.18  | 69    | 5882  | 21.55 | 1.92  | 78          | 5189  | 19.01 | 2.0   | 90    | 4498 | 16.48 | 2.3   | 101         | 4004  | 14.67       | 2.6   | 117   | 3450 | 12.64 | 2.7   | 144         | 2803  | 10.27 | 3.2   | 169   | 2391  | 8.76        | 2.8   | 190   | 2126 | 7.79  | 2.7   | 220   | 1834 | 6.72        | 3.6   | 271   | 1490 | 5.46  | 3.8  |       |       |       |      |       |       |             |       |       |      |       |      |             |       |       |      |             |       |             |       |             |      |       |      |             |       |             |      |       |      |       |       |       |       |             |       |       |      |       |       |       |       |             |       |       |      |             |       |       |      |             |       |             |      |       |       |       |       |             |       |       |      |       |       |       |      |             |       |       |       |       |      |       |       |       |       |       |       |       |       |       |      |       |      |       |       |       |       |       |       |       |       |       |      |       |      |       |      |       |      |       |      |       |      |       |      |       |      |       |      |       |      |       |      |       |      |       |      |       |      |       |      |       |      |       |      |       |      |       |      |       |      |       |      |      |      |      |      |      |      |      |      |      |      |
| 36            | 13534      | 40.57    | 1.25                   | 45          | 10999   | 32.97         | 1.54       | 53          | 9328                   | 27.96       | 1.81    | 58          | 8484  | 25.43       | 1.66  | 67          | 7393  | 22.16       | 2.3   | 75          | 6595  | 19.77       | 2.4   | 88          | 5621  | 16.85       | 3.0   | <b>45kW</b> |       |             |       |             |       | <b>55kW</b> |       |             |       |             |       | 54          | 6156  | 27.43       | 1.20  | F 107       | 4     | 39          | 12534 |             |       | 37.57       | 0.90  |             |       | F 127       | 4     |             |       |             |       |             |       |             |       |             |       |             |       |             |       |             |       |             |       | 58          | 5680  |             |       | 25.31       | 1.30  |             |       |             |       |             |       |             |       |             |       | 68          | 4883  | 21.76       | 1.51  |             |       |             |       | 77          | 4309  | 19.20       | 1.7   |             |       |             |       | 89          | 3721  | 16.58       | 2.0   |             |       |             |       | 101         | 3292  | 14.67       | 2.2   |             |       |             |       | 120         | 2767  | 12.33       | 2.4   |             |       | 149         | 2235  | 9.96        | 2.7   | 153         | 2166  | 9.65        | 2.1   | 177         | 1872  | 8.34        | 2.4   | 201         | 1654  | 7.37        | 2.6   | 239         | 1391  | 6.20        | 3.1   | 47    | 10535 | 31.58       | 1.07  | 58    | 8507  | 25.5  | 1.33  | 69    | 7189  | 21.55 | 1.57  | 78    | 6342  | 19.01 | 1.63  | 90    | 5498  | 16.48 | 1.88  | 101   | 4894  | 14.67 | 2.1   | 117   | 4217  | 12.64 | 2.2   | 144   | 3426  | 10.27 | 2.6   | 169         | 2922  | 8.76  | 2.3  | 190         | 2599  | 7.79        | 2.2  | 220         | 2242  | 6.72        | 2.9   | 271         | 1821  | 5.46        | 3.1  | 320         | 1545  | 4.63        | 3.7   | <b>45kW</b> |       |             |       |             |       | <b>75kW</b> |       |             |       |             |       | 21          | 18874 | 69.15       | 0.90  | F 157       | 4     | 31          | 21413 |             |       | 47.07       | 0.79  |             |       | F 157       | 4     |             |       |             |       |             |       |             |       |       |       |             |       | 24          | 16655 |             |       |       |       |             |       | 61.02       | 1.02  |             |       |       |       |             |       | 28          | 14442 |       |       |       |       |             |       | 52.91       | 1.17  | 31    | 12848 | 47.07       | 1.32  |             |      | 36    | 11074 | 40.57       | 1.53  | 45          | 8999  |       |      | 32.97       | 1.88  | 53          | 7632  | 27.96       | 2.2   | 36          | 18456 |             |       | 40.57       | 0.92  | 45          | 14999 | 32.97       | 1.13  | 53          | 12719 | 27.96       | 1.33  | 58          | 11569 | 25.43       | 1.22  | 67          | 10081 | 22.16       | 1.68  | 75    | 8994  | 19.77       | 1.78  | 88    | 7665  | 16.85 | 2.2   | 106   | 6351  | 13.96 | 2.5   | 124   | 5423  | 11.92 | 2.8   | 58    | 11600 | 25.50 | 0.97 | 69          | 9803  | 21.55 | 1.2   | 78          | 8648  | 19.01       | 1.2   | 90          | 7497  | 16.48       | 1.4   | 101         | 6674  | 14.67       | 1.5   | 117   | 5750  | 12.64       | 1.6   | 144   | 4672  | 10.27 | 1.9   | 169         | 3985  | 8.76        | 1.7   | 190         | 3544  | 7.79        | 1.6  | 220         | 3057  | 6.72        | 2.2  | 271         | 2484  | 5.46        | 2.3   | 320         | 2106  | 4.63        | 2.7   | <b>45kW</b> |       |             |       |             |       | <b>75kW</b> |       |             |       |             |       | 30          | 13426 | 49.19       | 0.84  | F 127       | 4     | 58          | 11600 |             |       | 25.50       | 0.97  |             |       | F 127       | 4     |             |       |       |       |             |       |             |       |             |       |       |       |             |       |             |       |       |       |       |       |             |       |       |      |       |       |             |       |             |       |       |       |             |       |       |       |             |       |       |       |             |       |       |       |       |       |             |       | 35          | 11595 |       |       |       |       | 42.48       | 0.97  |             |       | 39    | 10255 | 37.57       | 1.10  |             |       |             |       | 47          | 8620  | 31.58       | 1.31  |             |      |       |       | 58          | 6960  | 25.50 | 1.62  |       |       | 55          | 7391  | 26.92 | 1.08  | 60          | 6758  | 24.97 | 1.18 | 69    | 5882  | 21.55       | 1.92  | 78    | 5189  | 19.01 | 2.0   | 90          | 4498  | 16.48 | 2.3   | 101   | 4004 | 14.67 | 2.6   | 117         | 3450  | 12.64       | 2.7   | 144   | 2803 | 10.27 | 3.2   | 169         | 2391  | 8.76  | 2.8   | 190   | 2126  | 7.79        | 2.7   | 220   | 1834 | 6.72  | 3.6   | 271   | 1490 | 5.46        | 3.8   |       |      |       |      |       |       |       |      |       |       |             |       |       |      |       |      |             |       |       |      |             |       |             |       |             |      |       |      |             |       |             |      |       |      |       |       |       |       |             |       |       |      |       |       |       |       |             |       |       |      |             |       |       |      |             |       |             |      |       |       |       |       |             |       |       |      |       |       |       |      |             |       |       |       |       |      |       |       |       |       |       |       |       |       |       |      |       |      |       |       |       |       |       |       |       |       |       |      |       |      |       |      |       |      |       |      |       |      |       |      |       |      |       |      |       |      |       |      |       |      |       |      |       |      |       |      |       |      |       |      |       |      |       |      |       |      |       |      |      |      |      |      |      |      |      |      |      |      |
| 45            | 10999      | 32.97    | 1.54                   | 53          | 9328    | 27.96         | 1.81       | 58          | 8484                   | 25.43       | 1.66    | 67          | 7393  | 22.16       | 2.3   | 75          | 6595  | 19.77       | 2.4   | 88          | 5621  | 16.85       | 3.0   | <b>45kW</b> |       |             |       |             |       | <b>55kW</b> |       |             |       |             |       | 54          | 6156  | 27.43       | 1.20  | F 107       | 4     | 39          | 12534 |             |       | 37.57       | 0.90  |             |       | F 127       | 4     |             |       |             |       |             |       |             |       |             |       |             |       |             |       |             |       |             |       |             |       |             |       | 58          | 5680  |             |       | 25.31       | 1.30  |             |       |             |       |             |       |             |       |             |       | 68          | 4883  | 21.76       | 1.51  |             |       |             |       | 77          | 4309  | 19.20       | 1.7   |             |       |             |       | 89          | 3721  | 16.58       | 2.0   |             |       |             |       | 101         | 3292  | 14.67       | 2.2   |             |       | 120         | 2767  | 12.33       | 2.4   | 149         | 2235  | 9.96        | 2.7   | 153         | 2166  | 9.65        | 2.1   | 177         | 1872  | 8.34        | 2.4   | 201         | 1654  | 7.37        | 2.6   | 239         | 1391  | 6.20        | 3.1   | 47          | 10535 | 31.58       | 1.07  | 58    | 8507  | 25.5        | 1.33  | 69    | 7189  | 21.55 | 1.57  | 78    | 6342  | 19.01 | 1.63  | 90    | 5498  | 16.48 | 1.88  | 101   | 4894  | 14.67 | 2.1   | 117   | 4217  | 12.64 | 2.2   | 144   | 3426  | 10.27 | 2.6   | 169   | 2922  | 8.76  | 2.3   | 190         | 2599  | 7.79  | 2.2  | 220         | 2242  | 6.72        | 2.9  | 271         | 1821  | 5.46        | 3.1   | 320         | 1545  | 4.63        | 3.7  | <b>45kW</b> |       |             |       |             |       | <b>75kW</b> |       |             |       |             |       | 21          | 18874 | 69.15       | 0.90  | F 157       | 4     | 31          | 21413 |             |       | 47.07       | 0.79  |             |       | F 157       | 4     |             |       |             |       |             |       |             |       |             |       |             |       |       |       |             |       | 24          | 16655 | 61.02       | 1.02  |       |       |             |       | 28          | 14442 |             |       |       |       |             |       | 52.91       | 1.17  |       |       |       |       |             |       | 31          | 12848 | 47.07 | 1.32  | 36          | 11074 |             |      | 40.57 | 1.53  | 45          | 8999  | 32.97       | 1.88  |       |      | 53          | 7632  | 27.96       | 2.2   | 36          | 18456 | 40.57       | 0.92  | 45          | 14999 | 32.97       | 1.13  | 53          | 12719 | 27.96       | 1.33  | 58          | 11569 | 25.43       | 1.22  | 67          | 10081 | 22.16       | 1.68  | 75          | 8994  | 19.77       | 1.78  | 88    | 7665  | 16.85       | 2.2   | 106   | 6351  | 13.96 | 2.5   | 124   | 5423  | 11.92 | 2.8   | 58    | 11600 | 25.50 | 0.97  | 69    | 9803  | 21.55 | 1.2  | 78          | 8648  | 19.01 | 1.2   | 90          | 7497  | 16.48       | 1.4   | 101         | 6674  | 14.67       | 1.5   | 117         | 5750  | 12.64       | 1.6   | 144   | 4672  | 10.27       | 1.9   | 169   | 3985  | 8.76  | 1.7   | 190         | 3544  | 7.79        | 1.6   | 220         | 3057  | 6.72        | 2.2  | 271         | 2484  | 5.46        | 2.3  | 320         | 2106  | 4.63        | 2.7   | <b>45kW</b> |       |             |       |             |       | <b>75kW</b> |       |             |       |             |       | 30          | 13426 | 49.19       | 0.84  | F 127       | 4     | 58          | 11600 |             |       | 25.50       | 0.97  |             |       | F 127       | 4     |             |       |             |       |             |       |       |       |             |       |             |       |             |       |       |       |             |       |             |       |       |       |       |       |             |       |       |      |       |       |             |       |             |       |       |       |             |       |       |       |             |       |       |       |             |       |       |       |       |       |             |       | 35          | 11595 |       |       |       |       | 42.48       | 0.97  |             |       | 39    | 10255 | 37.57       | 1.10  |             |       |             |       | 47          | 8620  | 31.58       | 1.31  |             |      | 58    | 6960  | 25.50       | 1.62  | 55    | 7391  | 26.92 | 1.08  | 60          | 6758  | 24.97 | 1.18  | 69          | 5882  | 21.55 | 1.92 | 78    | 5189  | 19.01       | 2.0   | 90    | 4498  | 16.48 | 2.3   | 101         | 4004  | 14.67 | 2.6   | 117   | 3450 | 12.64 | 2.7   | 144         | 2803  | 10.27       | 3.2   | 169   | 2391 | 8.76  | 2.8   | 190         | 2126  | 7.79  | 2.7   | 220   | 1834  | 6.72        | 3.6   | 271   | 1490 | 5.46  | 3.8   |       |      |             |       |       |      |       |      |       |       |       |      |       |       |             |       |       |      |       |      |             |       |       |      |             |       |             |       |             |      |       |      |             |       |             |      |       |      |       |       |       |       |             |       |       |      |       |       |       |       |             |       |       |      |             |       |       |      |             |       |             |      |       |       |       |       |             |       |       |      |       |       |       |      |             |       |       |       |       |      |       |       |       |       |       |       |       |       |       |      |       |      |       |       |       |       |       |       |       |       |       |      |       |      |       |      |       |      |       |      |       |      |       |      |       |      |       |      |       |      |       |      |       |      |       |      |       |      |       |      |       |      |       |      |       |      |       |      |       |      |       |      |      |      |      |      |      |      |      |      |      |      |
| 53            | 9328       | 27.96    | 1.81                   | 58          | 8484    | 25.43         | 1.66       | 67          | 7393                   | 22.16       | 2.3     | 75          | 6595  | 19.77       | 2.4   | 88          | 5621  | 16.85       | 3.0   | <b>45kW</b> |       |             |       |             |       | <b>55kW</b> |       |             |       |             |       | 54          | 6156  | 27.43       | 1.20  | F 107       | 4     | 39          | 12534 |             |       | 37.57       | 0.90  |             |       | F 127       | 4     |             |       |             |       |             |       |             |       |             |       |             |       |             |       |             |       |             |       |             |       |             |       |             |       |             |       | 58          | 5680  |             |       | 25.31       | 1.30  |             |       |             |       |             |       |             |       |             |       | 68          | 4883  | 21.76       | 1.51  |             |       |             |       | 77          | 4309  | 19.20       | 1.7   |             |       |             |       | 89          | 3721  | 16.58       | 2.0   |             |       | 101         | 3292  | 14.67       | 2.2   | 120         | 2767  | 12.33       | 2.4   | 149         | 2235  | 9.96        | 2.7   | 153         | 2166  | 9.65        | 2.1   | 177         | 1872  | 8.34        | 2.4   | 201         | 1654  | 7.37        | 2.6   | 239         | 1391  | 6.20        | 3.1   | 47          | 10535 | 31.58       | 1.07  | 58          | 8507  | 25.5        | 1.33  | 69    | 7189  | 21.55       | 1.57  | 78    | 6342  | 19.01 | 1.63  | 90    | 5498  | 16.48 | 1.88  | 101   | 4894  | 14.67 | 2.1   | 117   | 4217  | 12.64 | 2.2   | 144   | 3426  | 10.27 | 2.6   | 169   | 2922  | 8.76  | 2.3   | 190   | 2599  | 7.79  | 2.2   | 220         | 2242  | 6.72  | 2.9  | 271         | 1821  | 5.46        | 3.1  | 320         | 1545  | 4.63        | 3.7   | <b>45kW</b> |       |             |      |             |       | <b>75kW</b> |       |             |       |             |       | 21          | 18874 | 69.15       | 0.90  | F 157       | 4     | 31          | 21413 |             |       | 47.07       | 0.79  |             |       | F 157       | 4     |             |       |             |       |             |       |             |       |             |       |             |       |             |       |             |       |       |       |             |       | 24          | 16655 | 61.02       | 1.02  | 28    | 14442 |             |       | 52.91       | 1.17  |             |       |       |       |             |       | 31          | 12848 |       |       |       |       |             |       | 47.07       | 1.32  | 36    | 11074 | 40.57       | 1.53  |             |      | 45    | 8999  | 32.97       | 1.88  | 53          | 7632  | 27.96 | 2.2  | 36          | 18456 | 40.57       | 0.92  | 45          | 14999 | 32.97       | 1.13  | 53          | 12719 | 27.96       | 1.33  | 58          | 11569 | 25.43       | 1.22  | 67          | 10081 | 22.16       | 1.68  | 75          | 8994  | 19.77       | 1.78  | 88          | 7665  | 16.85       | 2.2   | 106   | 6351  | 13.96       | 2.5   | 124   | 5423  | 11.92 | 2.8   | 58    | 11600 | 25.50 | 0.97  | 69    | 9803  | 21.55 | 1.2   | 78    | 8648  | 19.01 | 1.2  | 90          | 7497  | 16.48 | 1.4   | 101         | 6674  | 14.67       | 1.5   | 117         | 5750  | 12.64       | 1.6   | 144         | 4672  | 10.27       | 1.9   | 169   | 3985  | 8.76        | 1.7   | 190   | 3544  | 7.79  | 1.6   | 220         | 3057  | 6.72        | 2.2   | 271         | 2484  | 5.46        | 2.3  | 320         | 2106  | 4.63        | 2.7  | <b>45kW</b> |       |             |       |             |       | <b>75kW</b> |       |             |       |             |       | 30          | 13426 | 49.19       | 0.84  | F 127       | 4     | 58          | 11600 |             |       | 25.50       | 0.97  |             |       | F 127       | 4     |             |       |             |       |             |       |             |       |             |       |       |       |             |       |             |       |             |       |       |       |             |       |             |       |       |       |       |       |             |       |       |      |       |       |             |       |             |       |       |       |             |       |       |       |             |       |       |       |             |       |       |       |       |       |             |       | 35          | 11595 |       |       |       |       | 42.48       | 0.97  |             |       | 39    | 10255 | 37.57       | 1.10  |             |       | 47          | 8620  | 31.58       | 1.31  | 58          | 6960  | 25.50       | 1.62 | 55    | 7391  | 26.92       | 1.08  | 60    | 6758  | 24.97 | 1.18  | 69          | 5882  | 21.55 | 1.92  | 78          | 5189  | 19.01 | 2.0  | 90    | 4498  | 16.48       | 2.3   | 101   | 4004  | 14.67 | 2.6   | 117         | 3450  | 12.64 | 2.7   | 144   | 2803 | 10.27 | 3.2   | 169         | 2391  | 8.76        | 2.8   | 190   | 2126 | 7.79  | 2.7   | 220         | 1834  | 6.72  | 3.6   | 271   | 1490  | 5.46        | 3.8   |       |      |       |       |       |      |             |       |       |      |       |      |       |       |       |      |       |       |             |       |       |      |       |      |             |       |       |      |             |       |             |       |             |      |       |      |             |       |             |      |       |      |       |       |       |       |             |       |       |      |       |       |       |       |             |       |       |      |             |       |       |      |             |       |             |      |       |       |       |       |             |       |       |      |       |       |       |      |             |       |       |       |       |      |       |       |       |       |       |       |       |       |       |      |       |      |       |       |       |       |       |       |       |       |       |      |       |      |       |      |       |      |       |      |       |      |       |      |       |      |       |      |       |      |       |      |       |      |       |      |       |      |       |      |       |      |       |      |       |      |       |      |       |      |       |      |      |      |      |      |      |      |      |      |      |      |
| 58            | 8484       | 25.43    | 1.66                   | 67          | 7393    | 22.16         | 2.3        | 75          | 6595                   | 19.77       | 2.4     | 88          | 5621  | 16.85       | 3.0   | <b>45kW</b> |       |             |       |             |       | <b>55kW</b> |       |             |       |             |       | 54          | 6156  | 27.43       | 1.20  | F 107       | 4     | 39          | 12534 |             |       | 37.57       | 0.90  |             |       | F 127       | 4     |             |       |             |       |             |       |             |       |             |       |             |       |             |       |             |       |             |       |             |       |             |       |             |       |             |       |             |       |             |       | 58          | 5680  |             |       | 25.31       | 1.30  |             |       |             |       |             |       |             |       |             |       | 68          | 4883  | 21.76       | 1.51  |             |       |             |       | 77          | 4309  | 19.20       | 1.7   |             |       | 89          | 3721  | 16.58       | 2.0   | 101         | 3292  | 14.67       | 2.2   | 120         | 2767  | 12.33       | 2.4   | 149         | 2235  | 9.96        | 2.7   | 153         | 2166  | 9.65        | 2.1   | 177         | 1872  | 8.34        | 2.4   | 201         | 1654  | 7.37        | 2.6   | 239         | 1391  | 6.20        | 3.1   | 47          | 10535 | 31.58       | 1.07  | 58          | 8507  | 25.5        | 1.33  | 69          | 7189  | 21.55       | 1.57  | 78    | 6342  | 19.01       | 1.63  | 90    | 5498  | 16.48 | 1.88  | 101   | 4894  | 14.67 | 2.1   | 117   | 4217  | 12.64 | 2.2   | 144   | 3426  | 10.27 | 2.6   | 169   | 2922  | 8.76  | 2.3   | 190   | 2599  | 7.79  | 2.2   | 220   | 2242  | 6.72  | 2.9   | 271         | 1821  | 5.46  | 3.1  | 320         | 1545  | 4.63        | 3.7  | <b>45kW</b> |       |             |       |             |       | <b>75kW</b> |      |             |       |             |       | 21          | 18874 | 69.15       | 0.90  | F 157       | 4     | 31          | 21413 |             |       | 47.07       | 0.79  |             |       | F 157       | 4     |             |       |             |       |             |       |             |       |             |       |             |       |             |       |             |       |             |       |             |       | 24    | 16655 |             |       | 61.02       | 1.02  | 28          | 14442 | 52.91 | 1.17  |             |       | 31          | 12848 |             |       |       |       |             |       | 47.07       | 1.32  |       |       |       |       |             |       | 36          | 11074 | 40.57 | 1.53  | 45          | 8999  | 32.97       | 1.88 | 53    | 7632  | 27.96       | 2.2   | 36          | 18456 | 40.57 | 0.92 | 45          | 14999 | 32.97       | 1.13  | 53          | 12719 | 27.96       | 1.33  | 58          | 11569 | 25.43       | 1.22  | 67          | 10081 | 22.16       | 1.68  | 75          | 8994  | 19.77       | 1.78  | 88          | 7665  | 16.85       | 2.2   | 106         | 6351  | 13.96       | 2.5   | 124   | 5423  | 11.92       | 2.8   | 58    | 11600 | 25.50 | 0.97  | 69    | 9803  | 21.55 | 1.2   | 78    | 8648  | 19.01 | 1.2   | 90    | 7497  | 16.48 | 1.4  | 101         | 6674  | 14.67 | 1.5   | 117         | 5750  | 12.64       | 1.6   | 144         | 4672  | 10.27       | 1.9   | 169         | 3985  | 8.76        | 1.7   | 190   | 3544  | 7.79        | 1.6   | 220   | 3057  | 6.72  | 2.2   | 271         | 2484  | 5.46        | 2.3   | 320         | 2106  | 4.63        | 2.7  | <b>45kW</b> |       |             |      |             |       | <b>75kW</b> |       |             |       |             |       | 30          | 13426 | 49.19       | 0.84  | F 127       | 4     | 58          | 11600 |             |       | 25.50       | 0.97  |             |       | F 127       | 4     |             |       |             |       |             |       |             |       |             |       |             |       |             |       |       |       |             |       |             |       |             |       |       |       |             |       |             |       |       |       |       |       |             |       |       |      |       |       |             |       |             |       |       |       |             |       |       |       |             |       |       |       |             |       |       |       |       |       |             |       | 35          | 11595 |       |       |       |       | 42.48       | 0.97  | 39          | 10255 | 37.57 | 1.10  | 47          | 8620  | 31.58       | 1.31  | 58          | 6960  | 25.50       | 1.62  | 55          | 7391  | 26.92       | 1.08 | 60    | 6758  | 24.97       | 1.18  | 69    | 5882  | 21.55 | 1.92  | 78          | 5189  | 19.01 | 2.0   | 90          | 4498  | 16.48 | 2.3  | 101   | 4004  | 14.67       | 2.6   | 117   | 3450  | 12.64 | 2.7   | 144         | 2803  | 10.27 | 3.2   | 169   | 2391 | 8.76  | 2.8   | 190         | 2126  | 7.79        | 2.7   | 220   | 1834 | 6.72  | 3.6   | 271         | 1490  | 5.46  | 3.8   |       |       |             |       |       |      |       |       |       |      |             |       |       |      |       |      |       |       |       |      |       |       |             |       |       |      |       |      |             |       |       |      |             |       |             |       |             |      |       |      |             |       |             |      |       |      |       |       |       |       |             |       |       |      |       |       |       |       |             |       |       |      |             |       |       |      |             |       |             |      |       |       |       |       |             |       |       |      |       |       |       |      |             |       |       |       |       |      |       |       |       |       |       |       |       |       |       |      |       |      |       |       |       |       |       |       |       |       |       |      |       |      |       |      |       |      |       |      |       |      |       |      |       |      |       |      |       |      |       |      |       |      |       |      |       |      |       |      |       |      |       |      |       |      |       |      |       |      |       |      |      |      |      |      |      |      |      |      |      |      |
| 67            | 7393       | 22.16    | 2.3                    | 75          | 6595    | 19.77         | 2.4        | 88          | 5621                   | 16.85       | 3.0     | <b>45kW</b> |       |             |       |             |       | <b>55kW</b> |       |             |       |             |       | 54          | 6156  | 27.43       | 1.20  | F 107       | 4     | 39          | 12534 |             |       | 37.57       | 0.90  |             |       | F 127       | 4     |             |       |             |       |             |       |             |       |             |       |             |       |             |       |             |       |             |       |             |       |             |       |             |       |             |       |             |       |             |       |             |       |             |       | 58          | 5680  |             |       | 25.31       | 1.30  |             |       |             |       |             |       |             |       |             |       | 68          | 4883  | 21.76       | 1.51  |             |       | 77          | 4309  | 19.20       | 1.7   | 89          | 3721  | 16.58       | 2.0   | 101         | 3292  | 14.67       | 2.2   | 120         | 2767  | 12.33       | 2.4   | 149         | 2235  | 9.96        | 2.7   | 153         | 2166  | 9.65        | 2.1   | 177         | 1872  | 8.34        | 2.4   | 201         | 1654  | 7.37        | 2.6   | 239         | 1391  | 6.20        | 3.1   | 47          | 10535 | 31.58       | 1.07  | 58          | 8507  | 25.5        | 1.33  | 69          | 7189  | 21.55       | 1.57  | 78          | 6342  | 19.01       | 1.63  | 90    | 5498  | 16.48       | 1.88  | 101   | 4894  | 14.67 | 2.1   | 117   | 4217  | 12.64 | 2.2   | 144   | 3426  | 10.27 | 2.6   | 169   | 2922  | 8.76  | 2.3   | 190   | 2599  | 7.79  | 2.2   | 220   | 2242  | 6.72  | 2.9   | 271   | 1821  | 5.46  | 3.1   | 320         | 1545  | 4.63  | 3.7  | <b>45kW</b> |       |             |      |             |       | <b>75kW</b> |       |             |       |             |      | 21          | 18874 | 69.15       | 0.90  | F 157       | 4     | 31          | 21413 |             |       | 47.07       | 0.79  |             |       | F 157       | 4     |             |       |             |       |             |       |             |       |             |       |             |       |             |       |             |       |             |       |             |       | 24          | 16655 |             |       | 61.02 | 1.02  |             |       | 28          | 14442 | 52.91       | 1.17  | 31    | 12848 |             |       | 47.07       | 1.32  |             |       |       |       |             |       | 36          | 11074 |       |       |       |       | 40.57       | 1.53  | 45          | 8999  | 32.97 | 1.88  | 53          | 7632  | 27.96       | 2.2  | 36    | 18456 | 40.57       | 0.92  | 45          | 14999 | 32.97 | 1.13 | 53          | 12719 | 27.96       | 1.33  | 58          | 11569 | 25.43       | 1.22  | 67          | 10081 | 22.16       | 1.68  | 75          | 8994  | 19.77       | 1.78  | 88          | 7665  | 16.85       | 2.2   | 106         | 6351  | 13.96       | 2.5   | 124         | 5423  | 11.92       | 2.8   | 58    | 11600 | 25.50       | 0.97  | 69    | 9803  | 21.55 | 1.2   | 78    | 8648  | 19.01 | 1.2   | 90    | 7497  | 16.48 | 1.4   | 101   | 6674  | 14.67 | 1.5  | 117         | 5750  | 12.64 | 1.6   | 144         | 4672  | 10.27       | 1.9   | 169         | 3985  | 8.76        | 1.7   | 190         | 3544  | 7.79        | 1.6   | 220   | 3057  | 6.72        | 2.2   | 271   | 2484  | 5.46  | 2.3   | 320         | 2106  | 4.63        | 2.7   | <b>45kW</b> |       |             |      |             |       | <b>75kW</b> |      |             |       |             |       | 30          | 13426 | 49.19       | 0.84  | F 127       | 4     | 58          | 11600 |             |       | 25.50       | 0.97  |             |       | F 127       | 4     |             |       |             |       |             |       |             |       |             |       |             |       |             |       |             |       |             |       |       |       |             |       |             |       |             |       |       |       |             |       |             |       |       |       |       |       |             |       |       |      |       |       |             |       |             |       |       |       |             |       |       |       |             |       |       |       |             |       |       |       |       |       | 35          | 11595 | 42.48       | 0.97  |       |       | 39    | 10255 | 37.57       | 1.10  | 47          | 8620  | 31.58 | 1.31  | 58          | 6960  | 25.50       | 1.62  | 55          | 7391  | 26.92       | 1.08  | 60          | 6758  | 24.97       | 1.18 | 69    | 5882  | 21.55       | 1.92  | 78    | 5189  | 19.01 | 2.0   | 90          | 4498  | 16.48 | 2.3   | 101         | 4004  | 14.67 | 2.6  | 117   | 3450  | 12.64       | 2.7   | 144   | 2803  | 10.27 | 3.2   | 169         | 2391  | 8.76  | 2.8   | 190   | 2126 | 7.79  | 2.7   | 220         | 1834  | 6.72        | 3.6   | 271   | 1490 | 5.46  | 3.8   |             |       |       |       |       |       |             |       |       |      |       |       |       |      |             |       |       |      |       |      |       |       |       |      |       |       |             |       |       |      |       |      |             |       |       |      |             |       |             |       |             |      |       |      |             |       |             |      |       |      |       |       |       |       |             |       |       |      |       |       |       |       |             |       |       |      |             |       |       |      |             |       |             |      |       |       |       |       |             |       |       |      |       |       |       |      |             |       |       |       |       |      |       |       |       |       |       |       |       |       |       |      |       |      |       |       |       |       |       |       |       |       |       |      |       |      |       |      |       |      |       |      |       |      |       |      |       |      |       |      |       |      |       |      |       |      |       |      |       |      |       |      |       |      |       |      |       |      |       |      |       |      |       |      |      |      |      |      |      |      |      |      |      |      |
| 75            | 6595       | 19.77    | 2.4                    | 88          | 5621    | 16.85         | 3.0        | <b>45kW</b> |                        |             |         |             |       | <b>55kW</b> |       |             |       |             |       | 54          | 6156  | 27.43       | 1.20  | F 107       | 4     | 39          | 12534 |             |       | 37.57       | 0.90  |             |       | F 127       | 4     |             |       |             |       |             |       |             |       |             |       |             |       |             |       |             |       |             |       |             |       |             |       |             |       |             |       |             |       |             |       |             |       |             |       |             |       |             |       | 58          | 5680  |             |       | 25.31       | 1.30  |             |       |             |       |             |       |             |       | 68          | 4883  | 21.76       | 1.51  | 77          | 4309  | 19.20       | 1.7   | 89          | 3721  | 16.58       | 2.0   | 101         | 3292  | 14.67       | 2.2   | 120         | 2767  | 12.33       | 2.4   | 149         | 2235  | 9.96        | 2.7   | 153         | 2166  | 9.65        | 2.1   | 177         | 1872  | 8.34        | 2.4   | 201         | 1654  | 7.37        | 2.6   | 239         | 1391  | 6.20        | 3.1   | 47          | 10535 | 31.58       | 1.07  | 58          | 8507  | 25.5        | 1.33  | 69          | 7189  | 21.55       | 1.57  | 78          | 6342  | 19.01       | 1.63  | 90          | 5498  | 16.48       | 1.88  | 101   | 4894  | 14.67       | 2.1   | 117   | 4217  | 12.64 | 2.2   | 144   | 3426  | 10.27 | 2.6   | 169   | 2922  | 8.76  | 2.3   | 190   | 2599  | 7.79  | 2.2   | 220   | 2242  | 6.72  | 2.9   | 271   | 1821  | 5.46  | 3.1   | 320   | 1545  | 4.63  | 3.7   | <b>45kW</b> |       |       |      |             |       | <b>75kW</b> |      |             |       |             |       | 21          | 18874 | 69.15       | 0.90 | F 157       | 4     | 31          | 21413 |             |       | 47.07       | 0.79  |             |       | F 157       | 4     |             |       |             |       |             |       |             |       |             |       |             |       |             |       |             |       |             |       |             |       | 24          | 16655 |             |       | 61.02       | 1.02  |             |       | 28    | 14442 |             |       | 52.91       | 1.17  | 31          | 12848 | 47.07 | 1.32  |             |       | 36          | 11074 |             |       |       |       | 40.57       | 1.53  | 45          | 8999  |       |       |       |       | 32.97       | 1.88  | 53          | 7632  | 27.96 | 2.2   | 36          | 18456 | 40.57       | 0.92 | 45    | 14999 | 32.97       | 1.13  | 53          | 12719 | 27.96 | 1.33 | 58          | 11569 | 25.43       | 1.22  | 67          | 10081 | 22.16       | 1.68  | 75          | 8994  | 19.77       | 1.78  | 88          | 7665  | 16.85       | 2.2   | 106         | 6351  | 13.96       | 2.5   | 124         | 5423  | 11.92       | 2.8   | 58          | 11600 | 25.50       | 0.97  | 69    | 9803  | 21.55       | 1.2   | 78    | 8648  | 19.01 | 1.2   | 90    | 7497  | 16.48 | 1.4   | 101   | 6674  | 14.67 | 1.5   | 117   | 5750  | 12.64 | 1.6  | 144         | 4672  | 10.27 | 1.9   | 169         | 3985  | 8.76        | 1.7   | 190         | 3544  | 7.79        | 1.6   | 220         | 3057  | 6.72        | 2.2   | 271   | 2484  | 5.46        | 2.3   | 320   | 2106  | 4.63  | 2.7   | <b>45kW</b> |       |             |       |             |       | <b>75kW</b> |      |             |       |             |      | 30          | 13426 | 49.19       | 0.84  | F 127       | 4     | 58          | 11600 |             |       | 25.50       | 0.97  |             |       | F 127       | 4     |             |       |             |       |             |       |             |       |             |       |             |       |             |       |             |       |             |       |             |       |             |       |       |       |             |       |             |       |             |       |       |       |             |       |             |       |       |       |       |       |             |       |       |      |       |       |             |       |             |       |       |       |             |       |       |       |             |       |       |       |             |       | 35    | 11595 |       |       | 42.48       | 0.97  | 39          | 10255 | 37.57 | 1.10  | 47    | 8620  | 31.58       | 1.31  | 58          | 6960  | 25.50 | 1.62  | 55          | 7391  | 26.92       | 1.08  | 60          | 6758  | 24.97       | 1.18  | 69          | 5882  | 21.55       | 1.92 | 78    | 5189  | 19.01       | 2.0   | 90    | 4498  | 16.48 | 2.3   | 101         | 4004  | 14.67 | 2.6   | 117         | 3450  | 12.64 | 2.7  | 144   | 2803  | 10.27       | 3.2   | 169   | 2391  | 8.76  | 2.8   | 190         | 2126  | 7.79  | 2.7   | 220   | 1834 | 6.72  | 3.6   | 271         | 1490  | 5.46        | 3.8   |       |      |       |       |             |       |       |       |       |       |             |       |       |      |       |       |       |      |             |       |       |      |       |      |       |       |       |      |       |       |             |       |       |      |       |      |             |       |       |      |             |       |             |       |             |      |       |      |             |       |             |      |       |      |       |       |       |       |             |       |       |      |       |       |       |       |             |       |       |      |             |       |       |      |             |       |             |      |       |       |       |       |             |       |       |      |       |       |       |      |             |       |       |       |       |      |       |       |       |       |       |       |       |       |       |      |       |      |       |       |       |       |       |       |       |       |       |      |       |      |       |      |       |      |       |      |       |      |       |      |       |      |       |      |       |      |       |      |       |      |       |      |       |      |       |      |       |      |       |      |       |      |       |      |       |      |       |      |      |      |      |      |      |      |      |      |      |      |
| 88            | 5621       | 16.85    | 3.0                    |             |         |               |            |             |                        |             |         |             |       |             |       |             |       |             |       |             |       |             |       |             |       |             |       |             |       |             |       |             |       |             |       |             |       |             |       |             |       |             |       |             |       |             |       |             |       |             |       |             |       |             |       |             |       |             |       |             |       |             |       |             |       |             |       |             |       |             |       |             |       |             |       |             |       |             |       |             |       |             |       |             |       |             |       |             |       |             |       |             |       |             |       |             |       |             |       |             |       |             |       |             |       |             |       |             |       |             |       |             |       |             |       |             |       |             |       |             |       |             |       |             |       |             |       |             |       |             |       |             |       |             |       |             |       |             |       |             |       |             |       |             |       |             |       |       |       |             |       |       |       |       |       |       |       |       |       |       |       |       |       |       |       |       |       |       |       |       |       |       |       |       |       |       |       |       |       |             |       |       |      |             |       |             |      |             |       |             |       |             |       |             |      |             |       |             |       |             |       |             |       |             |       |             |       |             |       |             |       |             |       |             |       |             |       |             |       |             |       |             |       |             |       |             |       |             |       |             |       |             |       |             |       |       |       |             |       |             |       |             |       |       |       |             |       |             |       |             |       |       |       |             |       |             |       |       |       |       |       |             |       |             |       |       |       |             |       |             |      |       |       |             |       |             |       |       |      |             |       |             |       |             |       |             |       |             |       |             |       |             |       |             |       |             |       |             |       |             |       |             |       |             |       |             |       |       |       |             |       |       |       |       |       |       |       |       |       |       |       |       |       |       |       |       |      |             |       |       |       |             |       |             |       |             |       |             |       |             |       |             |       |       |       |             |       |       |       |       |       |             |       |             |       |             |       |             |      |             |       |             |      |             |       |             |       |             |       |             |       |             |       |             |       |             |       |             |       |             |       |             |       |             |       |             |       |             |       |             |       |             |       |             |       |             |       |             |       |             |       |       |       |             |       |             |       |             |       |       |       |             |       |             |       |       |       |       |       |             |       |       |      |       |       |             |       |             |       |       |       |             |       |       |       |             |       |       |       |             |       |       |       |       |       |             |       |             |       |       |       |       |       |             |       |             |       |       |       |             |       |             |       |             |       |             |       |             |       |             |      |       |       |             |       |       |       |       |       |             |       |       |       |             |       |       |      |       |       |             |       |       |       |       |       |             |       |       |       |       |      |       |       |             |       |             |       |       |      |       |       |             |       |       |       |       |       |             |       |       |      |       |       |       |      |             |       |       |      |       |      |       |       |       |      |       |       |             |       |       |      |       |      |             |       |       |      |             |       |             |       |             |      |       |      |             |       |             |      |       |      |       |       |       |       |             |       |       |      |       |       |       |       |             |       |       |      |             |       |       |      |             |       |             |      |       |       |       |       |             |       |       |      |       |       |       |      |             |       |       |       |       |      |       |       |       |       |       |       |       |       |       |      |       |      |       |       |       |       |       |       |       |       |       |      |       |      |       |      |       |      |       |      |       |      |       |      |       |      |       |      |       |      |       |      |       |      |       |      |       |      |       |      |       |      |       |      |       |      |       |      |       |      |       |      |      |      |      |      |      |      |      |      |      |      |
| <b>45kW</b>   |            |          |                        |             |         | <b>55kW</b>   |            |             |                        |             |         |             |       |             |       |             |       |             |       |             |       |             |       |             |       |             |       |             |       |             |       |             |       |             |       |             |       |             |       |             |       |             |       |             |       |             |       |             |       |             |       |             |       |             |       |             |       |             |       |             |       |             |       |             |       |             |       |             |       |             |       |             |       |             |       |             |       |             |       |             |       |             |       |             |       |             |       |             |       |             |       |             |       |             |       |             |       |             |       |             |       |             |       |             |       |             |       |             |       |             |       |             |       |             |       |             |       |             |       |             |       |             |       |             |       |             |       |             |       |             |       |             |       |             |       |             |       |             |       |             |       |             |       |             |       |             |       |       |       |             |       |       |       |       |       |       |       |       |       |       |       |       |       |       |       |       |       |       |       |       |       |       |       |       |       |       |       |       |       |             |       |       |      |             |       |             |      |             |       |             |       |             |       |             |      |             |       |             |       |             |       |             |       |             |       |             |       |             |       |             |       |             |       |             |       |             |       |             |       |             |       |             |       |             |       |             |       |             |       |             |       |             |       |             |       |       |       |             |       |             |       |             |       |       |       |             |       |             |       |             |       |       |       |             |       |             |       |       |       |       |       |             |       |             |       |       |       |             |       |             |      |       |       |             |       |             |       |       |      |             |       |             |       |             |       |             |       |             |       |             |       |             |       |             |       |             |       |             |       |             |       |             |       |             |       |             |       |       |       |             |       |       |       |       |       |       |       |       |       |       |       |       |       |       |       |       |      |             |       |       |       |             |       |             |       |             |       |             |       |             |       |             |       |       |       |             |       |       |       |       |       |             |       |             |       |             |       |             |      |             |       |             |      |             |       |             |       |             |       |             |       |             |       |             |       |             |       |             |       |             |       |             |       |             |       |             |       |             |       |             |       |             |       |             |       |             |       |             |       |             |       |       |       |             |       |             |       |             |       |       |       |             |       |             |       |       |       |       |       |             |       |       |      |       |       |             |       |             |       |       |       |             |       |       |       |             |       |       |       |             |       |       |       |       |       |             |       |             |       |       |       |       |       |             |       |             |       |       |       |             |       |             |       |             |       |             |       |             |       |             |      |       |       |             |       |       |       |       |       |             |       |       |       |             |       |       |      |       |       |             |       |       |       |       |       |             |       |       |       |       |      |       |       |             |       |             |       |       |      |       |       |             |       |       |       |       |       |             |       |       |      |       |       |       |      |             |       |       |      |       |      |       |       |       |      |       |       |             |       |       |      |       |      |             |       |       |      |             |       |             |       |             |      |       |      |             |       |             |      |       |      |       |       |       |       |             |       |       |      |       |       |       |       |             |       |       |      |             |       |       |      |             |       |             |      |       |       |       |       |             |       |       |      |       |       |       |      |             |       |       |       |       |      |       |       |       |       |       |       |       |       |       |      |       |      |       |       |       |       |       |       |       |       |       |      |       |      |       |      |       |      |       |      |       |      |       |      |       |      |       |      |       |      |       |      |       |      |       |      |       |      |       |      |       |      |       |      |       |      |       |      |       |      |       |      |      |      |      |      |      |      |      |      |      |      |
| 54            | 6156       | 27.43    | 1.20                   | F 107       | 4       | 39            | 12534      | 37.57       | 0.90                   | F 127       | 4       |             |       |             |       |             |       |             |       |             |       |             |       |             |       |             |       |             |       |             |       |             |       |             |       |             |       |             |       |             |       |             |       |             |       |             |       |             |       |             |       |             |       |             |       |             |       |             |       |             |       |             |       |             |       |             |       |             |       |             |       |             |       |             |       |             |       |             |       |             |       |             |       |             |       |             |       |             |       |             |       |             |       |             |       |             |       |             |       |             |       |             |       |             |       |             |       |             |       |             |       |             |       |             |       |             |       |             |       |             |       |             |       |             |       |             |       |             |       |             |       |             |       |             |       |             |       |             |       |             |       |             |       |             |       |             |       |       |       |             |       |       |       |       |       |       |       |       |       |       |       |       |       |       |       |       |       |       |       |       |       |       |       |       |       |       |       |       |       |             |       |       |      |             |       |             |      |             |       |             |       |             |       |             |      |             |       |             |       |             |       |             |       |             |       |             |       |             |       |             |       |             |       |             |       |             |       |             |       |             |       |             |       |             |       |             |       |             |       |             |       |             |       |             |       |       |       |             |       |             |       |             |       |       |       |             |       |             |       |             |       |       |       |             |       |             |       |       |       |       |       |             |       |             |       |       |       |             |       |             |      |       |       |             |       |             |       |       |      |             |       |             |       |             |       |             |       |             |       |             |       |             |       |             |       |             |       |             |       |             |       |             |       |             |       |             |       |       |       |             |       |       |       |       |       |       |       |       |       |       |       |       |       |       |       |       |      |             |       |       |       |             |       |             |       |             |       |             |       |             |       |             |       |       |       |             |       |       |       |       |       |             |       |             |       |             |       |             |      |             |       |             |      |             |       |             |       |             |       |             |       |             |       |             |       |             |       |             |       |             |       |             |       |             |       |             |       |             |       |             |       |             |       |             |       |             |       |             |       |             |       |       |       |             |       |             |       |             |       |       |       |             |       |             |       |       |       |       |       |             |       |       |      |       |       |             |       |             |       |       |       |             |       |       |       |             |       |       |       |             |       |       |       |       |       |             |       |             |       |       |       |       |       |             |       |             |       |       |       |             |       |             |       |             |       |             |       |             |       |             |      |       |       |             |       |       |       |       |       |             |       |       |       |             |       |       |      |       |       |             |       |       |       |       |       |             |       |       |       |       |      |       |       |             |       |             |       |       |      |       |       |             |       |       |       |       |       |             |       |       |      |       |       |       |      |             |       |       |      |       |      |       |       |       |      |       |       |             |       |       |      |       |      |             |       |       |      |             |       |             |       |             |      |       |      |             |       |             |      |       |      |       |       |       |       |             |       |       |      |       |       |       |       |             |       |       |      |             |       |       |      |             |       |             |      |       |       |       |       |             |       |       |      |       |       |       |      |             |       |       |       |       |      |       |       |       |       |       |       |       |       |       |      |       |      |       |       |       |       |       |       |       |       |       |      |       |      |       |      |       |      |       |      |       |      |       |      |       |      |       |      |       |      |       |      |       |      |       |      |       |      |       |      |       |      |       |      |       |      |       |      |       |      |       |      |      |      |      |      |      |      |      |      |      |      |
| 58            | 5680       | 25.31    | 1.30                   |             |         | 68            | 4883       | 21.76       | 1.51                   |             |         | 77          | 4309  | 19.20       | 1.7   | 89          | 3721  | 16.58       | 2.0   | 101         | 3292  | 14.67       | 2.2   |             |       | 120         | 2767  |             |       | 12.33       | 2.4   |             |       |             |       |             |       |             |       |             |       |             |       |             |       |             |       |             |       |             |       |             |       |             |       |             |       |             |       |             |       |             |       | 149         | 2235  |             |       |             |       | 9.96        | 2.7   | 153         | 2166  | 9.65        | 2.1   | 177         | 1872  | 8.34        | 2.4   | 201         | 1654  | 7.37        | 2.6   | 239         | 1391  | 6.20        | 3.1   | 47          | 10535 | 31.58       | 1.07  | 58          | 8507  | 25.5        | 1.33  | 69          | 7189  | 21.55       | 1.57  | 78          | 6342  | 19.01       | 1.63  | 90          | 5498  | 16.48       | 1.88  | 101         | 4894  | 14.67       | 2.1   | 117         | 4217  | 12.64       | 2.2   | 144         | 3426  | 10.27       | 2.6   | 169         | 2922  | 8.76        | 2.3   | 190         | 2599  | 7.79        | 2.2   | 220         | 2242  | 6.72        | 2.9   | 271         | 1821  | 5.46        | 3.1   | 320         | 1545  | 4.63        | 3.7   | <b>45kW</b> |       |             |       |             |       | <b>75kW</b> |       |       |       |             |       | 21    | 18874 | 69.15 | 0.90  | F 157 | 4     | 31    | 21413 | 47.07 | 0.79  | F 157 | 4     | 24    | 16655 | 61.02 | 1.02  | 28    | 14442 | 52.91 | 1.17  | 31    | 12848 | 47.07 | 1.32  | 36    | 11074 | 40.57 | 1.53  | 45          | 8999  | 32.97 | 1.88 | 53          | 7632  | 27.96       | 2.2  | 36          | 18456 | 40.57       | 0.92  | 45          | 14999 | 32.97       | 1.13 |             |       | 53          | 12719 |             |       | 27.96       | 1.33  |             |       |             |       |             |       |             |       | 58          | 11569 |             |       | 25.43       | 1.22  |             |       | 67          | 10081 |             |       | 22.16       | 1.68  |             |       | 75          | 8994  |             |       | 19.77       | 1.78  |             |       | 88    | 7665  |             |       | 16.85       | 2.2   | 106         | 6351  | 13.96 | 2.5   | 124         | 5423  | 11.92       | 2.8   |             |       | 58    | 11600 | 25.50       | 0.97  | 69          | 9803  | 21.55 | 1.2   | 78    | 8648  | 19.01       | 1.2   | 90          | 7497  | 16.48 | 1.4   | 101         | 6674  | 14.67       | 1.5  | 117   | 5750  | 12.64       | 1.6   | 144         | 4672  | 10.27 | 1.9  | 169         | 3985  | 8.76        | 1.7   | 190         | 3544  | 7.79        | 1.6   | 220         | 3057  | 6.72        | 2.2   | 271         | 2484  | 5.46        | 2.3   | 320         | 2106  | 4.63        | 2.7   | <b>45kW</b> |       |             |       |             |       | <b>75kW</b> |       |       |       |             |       | 30    | 13426 | 49.19 | 0.84  | F 127 | 4     | 58    | 11600 | 25.50 | 0.97  | F 127 | 4     | 35    | 11595 | 42.48 | 0.97 | 39          | 10255 | 37.57 | 1.10  | 47          | 8620  | 31.58       | 1.31  | 58          | 6960  | 25.50       | 1.62  | 55          | 7391  | 26.92       | 1.08  | 60    | 6758  | 24.97       | 1.18  | 69    | 5882  | 21.55 | 1.92  | 78          | 5189  | 19.01       | 2.0   | 90          | 4498  | 16.48       | 2.3  | 101         | 4004  | 14.67       | 2.6  | 117         | 3450  | 12.64       | 2.7   |             |       | 144         | 2803  |             |       | 10.27       | 3.2   |             |       |             |       |             |       |             |       |             |       |             |       |             |       |             |       |             |       |             |       |             |       |             |       |             |       |       |       |             |       |             |       |             |       |       |       |             |       | 169         | 2391  |       |       |       |       | 8.76        | 2.8   | 190   | 2126 |       |       |             |       | 7.79        | 2.7   | 220   | 1834  |             |       |       |       | 6.72        | 3.6   | 271   | 1490  |             |       | 5.46  | 3.8   |       |       |             |       |             |       |       |       |       |       |             |       |             |       |       |       |             |       |             |       |             |       |             |       |             |       |             |      |       |       |             |       |       |       |       |       |             |       |       |       |             |       |       |      |       |       |             |       |       |       |       |       |             |       |       |       |       |      |       |       |             |       |             |       |       |      |       |       |             |       |       |       |       |       |             |       |       |      |       |       |       |      |             |       |       |      |       |      |       |       |       |      |       |       |             |       |       |      |       |      |             |       |       |      |             |       |             |       |             |      |       |      |             |       |             |      |       |      |       |       |       |       |             |       |       |      |       |       |       |       |             |       |       |      |             |       |       |      |             |       |             |      |       |       |       |       |             |       |       |      |       |       |       |      |             |       |       |       |       |      |       |       |       |       |       |       |       |       |       |      |       |      |       |       |       |       |       |       |       |       |       |      |       |      |       |      |       |      |       |      |       |      |       |      |       |      |       |      |       |      |       |      |       |      |       |      |       |      |       |      |       |      |       |      |       |      |       |      |       |      |       |      |      |      |      |      |      |      |      |      |      |      |
| 68            | 4883       | 21.76    | 1.51                   |             |         | 77            | 4309       | 19.20       | 1.7                    |             |         | 89          | 3721  | 16.58       | 2.0   | 101         | 3292  | 14.67       | 2.2   | 120         | 2767  | 12.33       | 2.4   |             |       | 149         | 2235  |             |       | 9.96        | 2.7   |             |       |             |       |             |       |             |       |             |       |             |       |             |       |             |       |             |       |             |       |             |       |             |       |             |       |             |       | 153         | 2166  |             |       | 9.65        | 2.1   |             |       | 177         | 1872  | 8.34        | 2.4   | 201         | 1654  | 7.37        | 2.6   | 239         | 1391  | 6.20        | 3.1   | 47          | 10535 | 31.58       | 1.07  | 58          | 8507  | 25.5        | 1.33  | 69          | 7189  | 21.55       | 1.57  | 78          | 6342  | 19.01       | 1.63  | 90          | 5498  | 16.48       | 1.88  | 101         | 4894  | 14.67       | 2.1   | 117         | 4217  | 12.64       | 2.2   | 144         | 3426  | 10.27       | 2.6   | 169         | 2922  | 8.76        | 2.3   | 190         | 2599  | 7.79        | 2.2   | 220         | 2242  | 6.72        | 2.9   | 271         | 1821  | 5.46        | 3.1   | 320         | 1545  | 4.63        | 3.7   | <b>45kW</b> |       |             |       |             |       | <b>75kW</b> |       |             |       |             |       | 21          | 18874 | 69.15       | 0.90  | F 157 | 4     | 31          | 21413 | 47.07 | 0.79  | F 157 | 4     |       |       | 24    | 16655 | 61.02 | 1.02  |       |       | 28    | 14442 | 52.91 | 1.17  | 31    | 12848 | 47.07 | 1.32  | 36    | 11074 | 40.57 | 1.53  | 45    | 8999  | 32.97 | 1.88  | 53          | 7632  | 27.96 | 2.2  | 36          | 18456 | 40.57       | 0.92 | 45          | 14999 | 32.97       | 1.13  | 53          | 12719 | 27.96       | 1.33 |             |       | 58          | 11569 |             |       | 25.43       | 1.22  |             |       |             |       | 67          | 10081 |             |       | 22.16       | 1.68  |             |       | 75          | 8994  |             |       | 19.77       | 1.78  |             |       | 88          | 7665  |             |       | 16.85       | 2.2   |             |       | 106         | 6351  |             |       | 13.96 | 2.5   |             |       | 124         | 5423  | 11.92       | 2.8   | 58    | 11600 | 25.50       | 0.97  | 69          | 9803  | 21.55       | 1.2   | 78    | 8648  | 19.01       | 1.2   | 90          | 7497  | 16.48 | 1.4   | 101   | 6674  | 14.67       | 1.5   | 117         | 5750  | 12.64 | 1.6   | 144         | 4672  | 10.27       | 1.9  | 169   | 3985  | 8.76        | 1.7   | 190         | 3544  | 7.79  | 1.6  | 220         | 3057  | 6.72        | 2.2   | 271         | 2484  | 5.46        | 2.3   | 320         | 2106  | 4.63        | 2.7   | <b>45kW</b> |       |             |       |             |       | <b>75kW</b> |       |             |       |             |       | 30          | 13426 | 49.19       | 0.84  | F 127 | 4     | 58          | 11600 | 25.50 | 0.97  | F 127 | 4     |       |       | 35    | 11595 | 42.48 | 0.97  |       |       | 39    | 10255 | 37.57 | 1.10 | 47          | 8620  | 31.58 | 1.31  | 58          | 6960  | 25.50       | 1.62  | 55          | 7391  | 26.92       | 1.08  | 60          | 6758  | 24.97       | 1.18  | 69    | 5882  | 21.55       | 1.92  | 78    | 5189  | 19.01 | 2.0   | 90          | 4498  | 16.48       | 2.3   | 101         | 4004  | 14.67       | 2.6  | 117         | 3450  | 12.64       | 2.7  | 144         | 2803  | 10.27       | 3.2   |             |       | 169         | 2391  |             |       | 8.76        | 2.8   |             |       |             |       |             |       |             |       |             |       |             |       |             |       |             |       |             |       |             |       |             |       |             |       |             |       |       |       |             |       | 190         | 2126  |             |       |       |       | 7.79        | 2.7   | 220         | 1834  |       |       |       |       | 6.72        | 3.6   | 271   | 1490 |       |       |             |       | 5.46        | 3.8   |       |       |             |       |       |       |             |       |       |       |             |       |       |       |       |       |             |       |             |       |       |       |       |       |             |       |             |       |       |       |             |       |             |       |             |       |             |       |             |       |             |      |       |       |             |       |       |       |       |       |             |       |       |       |             |       |       |      |       |       |             |       |       |       |       |       |             |       |       |       |       |      |       |       |             |       |             |       |       |      |       |       |             |       |       |       |       |       |             |       |       |      |       |       |       |      |             |       |       |      |       |      |       |       |       |      |       |       |             |       |       |      |       |      |             |       |       |      |             |       |             |       |             |      |       |      |             |       |             |      |       |      |       |       |       |       |             |       |       |      |       |       |       |       |             |       |       |      |             |       |       |      |             |       |             |      |       |       |       |       |             |       |       |      |       |       |       |      |             |       |       |       |       |      |       |       |       |       |       |       |       |       |       |      |       |      |       |       |       |       |       |       |       |       |       |      |       |      |       |      |       |      |       |      |       |      |       |      |       |      |       |      |       |      |       |      |       |      |       |      |       |      |       |      |       |      |       |      |       |      |       |      |       |      |       |      |      |      |      |      |      |      |      |      |      |      |
| 77            | 4309       | 19.20    | 1.7                    |             |         | 89            | 3721       | 16.58       | 2.0                    |             |         | 101         | 3292  | 14.67       | 2.2   | 120         | 2767  | 12.33       | 2.4   | 149         | 2235  | 9.96        | 2.7   |             |       | 153         | 2166  |             |       | 9.65        | 2.1   |             |       |             |       |             |       |             |       |             |       |             |       |             |       |             |       |             |       |             |       |             |       |             |       | 177         | 1872  |             |       | 8.34        | 2.4   |             |       | 201         | 1654  | 7.37        | 2.6   | 239         | 1391  | 6.20        | 3.1   | 47          | 10535 | 31.58       | 1.07  | 58          | 8507  | 25.5        | 1.33  | 69          | 7189  | 21.55       | 1.57  | 78          | 6342  | 19.01       | 1.63  | 90          | 5498  | 16.48       | 1.88  | 101         | 4894  | 14.67       | 2.1   | 117         | 4217  | 12.64       | 2.2   | 144         | 3426  | 10.27       | 2.6   | 169         | 2922  | 8.76        | 2.3   | 190         | 2599  | 7.79        | 2.2   | 220         | 2242  | 6.72        | 2.9   | 271         | 1821  | 5.46        | 3.1   | 320         | 1545  | 4.63        | 3.7   | <b>45kW</b> |       |             |       |             |       | <b>75kW</b> |       |             |       |             |       | 21          | 18874 | 69.15       | 0.90  | F 157       | 4     | 31          | 21413 | 47.07       | 0.79  | F 157       | 4     |       |       | 24          | 16655 | 61.02 | 1.02  |       |       |       |       | 28    | 14442 | 52.91 | 1.17  |       |       | 31    | 12848 | 47.07 | 1.32  | 36    | 11074 | 40.57 | 1.53  | 45    | 8999  | 32.97 | 1.88  | 53    | 7632  | 27.96 | 2.2   | 36          | 18456 | 40.57 | 0.92 | 45          | 14999 | 32.97       | 1.13 | 53          | 12719 | 27.96       | 1.33  | 58          | 11569 | 25.43       | 1.22 |             |       | 67          | 10081 |             |       | 22.16       | 1.68  | 75          | 8994  |             |       | 19.77       | 1.78  |             |       | 88          | 7665  |             |       | 16.85       | 2.2   |             |       | 106         | 6351  |             |       | 13.96       | 2.5   |             |       | 124         | 5423  |             |       | 11.92       | 2.8   |             |       | 58    | 11600 | 25.50       | 0.97  | 69          | 9803  | 21.55       | 1.2   | 78    | 8648  | 19.01       | 1.2   | 90          | 7497  | 16.48       | 1.4   | 101   | 6674  | 14.67       | 1.5   | 117         | 5750  | 12.64 | 1.6   | 144   | 4672  | 10.27       | 1.9   | 169         | 3985  | 8.76  | 1.7   | 190         | 3544  | 7.79        | 1.6  | 220   | 3057  | 6.72        | 2.2   | 271         | 2484  | 5.46  | 2.3  | 320         | 2106  | 4.63        | 2.7   | <b>45kW</b> |       |             |       |             |       | <b>75kW</b> |       |             |       |             |       | 30          | 13426 | 49.19       | 0.84  | F 127       | 4     | 58          | 11600 | 25.50       | 0.97  | F 127       | 4     |       |       | 35          | 11595 | 42.48 | 0.97  |       |       |       |       | 39    | 10255 | 37.57 | 1.10  |       |       | 47    | 8620  | 31.58 | 1.31 | 58          | 6960  | 25.50 | 1.62  | 55          | 7391  | 26.92       | 1.08  | 60          | 6758  | 24.97       | 1.18  | 69          | 5882  | 21.55       | 1.92  | 78    | 5189  | 19.01       | 2.0   | 90    | 4498  | 16.48 | 2.3   | 101         | 4004  | 14.67       | 2.6   | 117         | 3450  | 12.64       | 2.7  | 144         | 2803  | 10.27       | 3.2  | 169         | 2391  | 8.76        | 2.8   |             |       | 190         | 2126  |             |       | 7.79        | 2.7   |             |       |             |       |             |       |             |       |             |       |             |       |             |       |             |       |             |       |             |       |             |       |             |       |             |       |       |       |             |       | 220         | 1834  |             |       | 6.72  | 3.6   | 271         | 1490  | 5.46        | 3.8   |       |       |       |       |             |       |       |      |       |       |             |       |             |       |       |       |             |       |       |       |             |       |       |       |             |       |       |       |       |       |             |       |             |       |       |       |       |       |             |       |             |       |       |       |             |       |             |       |             |       |             |       |             |       |             |      |       |       |             |       |       |       |       |       |             |       |       |       |             |       |       |      |       |       |             |       |       |       |       |       |             |       |       |       |       |      |       |       |             |       |             |       |       |      |       |       |             |       |       |       |       |       |             |       |       |      |       |       |       |      |             |       |       |      |       |      |       |       |       |      |       |       |             |       |       |      |       |      |             |       |       |      |             |       |             |       |             |      |       |      |             |       |             |      |       |      |       |       |       |       |             |       |       |      |       |       |       |       |             |       |       |      |             |       |       |      |             |       |             |      |       |       |       |       |             |       |       |      |       |       |       |      |             |       |       |       |       |      |       |       |       |       |       |       |       |       |       |      |       |      |       |       |       |       |       |       |       |       |       |      |       |      |       |      |       |      |       |      |       |      |       |      |       |      |       |      |       |      |       |      |       |      |       |      |       |      |       |      |       |      |       |      |       |      |       |      |       |      |       |      |      |      |      |      |      |      |      |      |      |      |
| 89            | 3721       | 16.58    | 2.0                    |             |         | 101           | 3292       | 14.67       | 2.2                    |             |         | 120         | 2767  | 12.33       | 2.4   | 149         | 2235  | 9.96        | 2.7   | 153         | 2166  | 9.65        | 2.1   |             |       | 177         | 1872  |             |       | 8.34        | 2.4   |             |       |             |       |             |       |             |       |             |       |             |       |             |       |             |       |             |       |             |       | 201         | 1654  |             |       | 7.37        | 2.6   |             |       | 239         | 1391  | 6.20        | 3.1   | 47          | 10535 | 31.58       | 1.07  | 58          | 8507  | 25.5        | 1.33  | 69          | 7189  | 21.55       | 1.57  | 78          | 6342  | 19.01       | 1.63  | 90          | 5498  | 16.48       | 1.88  | 101         | 4894  | 14.67       | 2.1   | 117         | 4217  | 12.64       | 2.2   | 144         | 3426  | 10.27       | 2.6   | 169         | 2922  | 8.76        | 2.3   | 190         | 2599  | 7.79        | 2.2   | 220         | 2242  | 6.72        | 2.9   | 271         | 1821  | 5.46        | 3.1   | 320         | 1545  | 4.63        | 3.7   | <b>45kW</b> |       |             |       |             |       | <b>75kW</b> |       |             |       |             |       | 21          | 18874 | 69.15       | 0.90  | F 157       | 4     | 31          | 21413 | 47.07       | 0.79  | F 157       | 4     |             |       | 24          | 16655 | 61.02       | 1.02  |             |       |       |       | 28          | 14442 | 52.91 | 1.17  |       |       |       |       | 31    | 12848 | 47.07 | 1.32  |       |       | 36    | 11074 | 40.57 | 1.53  | 45    | 8999  | 32.97 | 1.88  | 53    | 7632  | 27.96 | 2.2   | 36    | 18456 | 40.57 | 0.92  | 45          | 14999 | 32.97 | 1.13 | 53          | 12719 | 27.96       | 1.33 | 58          | 11569 | 25.43       | 1.22  | 67          | 10081 | 22.16       | 1.68 |             |       | 75          | 8994  | 19.77       | 1.78  | 88          | 7665  | 16.85       | 2.2   |             |       | 106         | 6351  |             |       | 13.96       | 2.5   |             |       | 124         | 5423  |             |       | 11.92       | 2.8   |             |       | 58          | 11600 |             |       | 25.50       | 0.97  |             |       | 69          | 9803  | 21.55       | 1.2   | 78    | 8648  | 19.01       | 1.2   | 90          | 7497  | 16.48       | 1.4   | 101   | 6674  | 14.67       | 1.5   | 117         | 5750  | 12.64       | 1.6   | 144   | 4672  | 10.27       | 1.9   | 169         | 3985  | 8.76  | 1.7   | 190   | 3544  | 7.79        | 1.6   | 220         | 3057  | 6.72  | 2.2   | 271         | 2484  | 5.46        | 2.3  | 320   | 2106  | 4.63        | 2.7   | <b>45kW</b> |       |       |      |             |       | <b>75kW</b> |       |             |       |             |       | 30          | 13426 | 49.19       | 0.84  | F 127       | 4     | 58          | 11600 | 25.50       | 0.97  | F 127       | 4     |             |       | 35          | 11595 | 42.48       | 0.97  |             |       |       |       | 39          | 10255 | 37.57 | 1.10  |       |       |       |       | 47    | 8620  | 31.58 | 1.31  |       |       | 58    | 6960  | 25.50 | 1.62 | 55          | 7391  | 26.92 | 1.08  | 60          | 6758  | 24.97       | 1.18  | 69          | 5882  | 21.55       | 1.92  | 78          | 5189  | 19.01       | 2.0   | 90    | 4498  | 16.48       | 2.3   | 101   | 4004  | 14.67 | 2.6   | 117         | 3450  | 12.64       | 2.7   | 144         | 2803  | 10.27       | 3.2  | 169         | 2391  | 8.76        | 2.8  | 190         | 2126  | 7.79        | 2.7   |             |       | 220         | 1834  |             |       | 6.72        | 3.6   |             |       |             |       |             |       |             |       |             |       |             |       |             |       |             |       |             |       |             |       |             |       |             |       |             |       |       |       |             |       | 271         | 1490  |             |       | 5.46  | 3.8   |             |       |             |       |       |       |       |       |             |       |       |      |       |       |             |       |             |       |       |       |             |       |       |       |             |       |       |       |             |       |       |       |       |       |             |       |             |       |       |       |       |       |             |       |             |       |       |       |             |       |             |       |             |       |             |       |             |       |             |      |       |       |             |       |       |       |       |       |             |       |       |       |             |       |       |      |       |       |             |       |       |       |       |       |             |       |       |       |       |      |       |       |             |       |             |       |       |      |       |       |             |       |       |       |       |       |             |       |       |      |       |       |       |      |             |       |       |      |       |      |       |       |       |      |       |       |             |       |       |      |       |      |             |       |       |      |             |       |             |       |             |      |       |      |             |       |             |      |       |      |       |       |       |       |             |       |       |      |       |       |       |       |             |       |       |      |             |       |       |      |             |       |             |      |       |       |       |       |             |       |       |      |       |       |       |      |             |       |       |       |       |      |       |       |       |       |       |       |       |       |       |      |       |      |       |       |       |       |       |       |       |       |       |      |       |      |       |      |       |      |       |      |       |      |       |      |       |      |       |      |       |      |       |      |       |      |       |      |       |      |       |      |       |      |       |      |       |      |       |      |       |      |       |      |      |      |      |      |      |      |      |      |      |      |
| 101           | 3292       | 14.67    | 2.2                    |             |         | 120           | 2767       | 12.33       | 2.4                    |             |         | 149         | 2235  | 9.96        | 2.7   | 153         | 2166  | 9.65        | 2.1   | 177         | 1872  | 8.34        | 2.4   |             |       | 201         | 1654  |             |       | 7.37        | 2.6   |             |       |             |       |             |       |             |       |             |       |             |       |             |       |             |       | 239         | 1391  |             |       | 6.20        | 3.1   |             |       | 47          | 10535 | 31.58       | 1.07  | 58          | 8507  | 25.5        | 1.33  | 69          | 7189  | 21.55       | 1.57  | 78          | 6342  | 19.01       | 1.63  | 90          | 5498  | 16.48       | 1.88  | 101         | 4894  | 14.67       | 2.1   | 117         | 4217  | 12.64       | 2.2   | 144         | 3426  | 10.27       | 2.6   | 169         | 2922  | 8.76        | 2.3   | 190         | 2599  | 7.79        | 2.2   | 220         | 2242  | 6.72        | 2.9   | 271         | 1821  | 5.46        | 3.1   | 320         | 1545  | 4.63        | 3.7   | <b>45kW</b> |       |             |       |             |       | <b>75kW</b> |       |             |       |             |       | 21          | 18874 | 69.15       | 0.90  | F 157       | 4     | 31          | 21413 | 47.07       | 0.79  | F 157       | 4     |             |       | 24          | 16655 | 61.02       | 1.02  |             |       |             |       | 28          | 14442 | 52.91       | 1.17  |             |       |       |       | 31          | 12848 | 47.07 | 1.32  |       |       |       |       | 36    | 11074 | 40.57 | 1.53  |       |       | 45    | 8999  | 32.97 | 1.88  | 53    | 7632  | 27.96 | 2.2   | 36    | 18456 | 40.57 | 0.92  | 45    | 14999 | 32.97 | 1.13  | 53          | 12719 | 27.96 | 1.33 | 58          | 11569 | 25.43       | 1.22 | 67          | 10081 | 22.16       | 1.68  | 75          | 8994  | 19.77       | 1.78 | 88          | 7665  | 16.85       | 2.2   | 106         | 6351  | 13.96       | 2.5   | 124         | 5423  |             |       | 11.92       | 2.8   |             |       | 58          | 11600 |             |       | 25.50       | 0.97  |             |       | 69          | 9803  |             |       | 21.55       | 1.2   |             |       | 78          | 8648  | 19.01       | 1.2   | 90          | 7497  | 16.48       | 1.4   | 101   | 6674  | 14.67       | 1.5   | 117         | 5750  | 12.64       | 1.6   | 144   | 4672  | 10.27       | 1.9   | 169         | 3985  | 8.76        | 1.7   | 190   | 3544  | 7.79        | 1.6   | 220         | 3057  | 6.72  | 2.2   | 271   | 2484  | 5.46        | 2.3   | 320         | 2106  | 4.63  | 2.7   | <b>45kW</b> |       |             |      |       |       | <b>75kW</b> |       |             |       |       |      | 30          | 13426 | 49.19       | 0.84  | F 127       | 4     | 58          | 11600 | 25.50       | 0.97  | F 127       | 4     |             |       | 35          | 11595 | 42.48       | 0.97  |             |       |             |       | 39          | 10255 | 37.57       | 1.10  |             |       |       |       | 47          | 8620  | 31.58 | 1.31  |       |       |       |       | 58    | 6960  | 25.50 | 1.62  |       |       | 55    | 7391  | 26.92 | 1.08 | 60          | 6758  | 24.97 | 1.18  | 69          | 5882  | 21.55       | 1.92  | 78          | 5189  | 19.01       | 2.0   | 90          | 4498  | 16.48       | 2.3   | 101   | 4004  | 14.67       | 2.6   | 117   | 3450  | 12.64 | 2.7   | 144         | 2803  | 10.27       | 3.2   | 169         | 2391  | 8.76        | 2.8  | 190         | 2126  | 7.79        | 2.7  | 220         | 1834  | 6.72        | 3.6   |             |       | 271         | 1490  |             |       | 5.46        | 3.8   |             |       |             |       |             |       |             |       |             |       |             |       |             |       |             |       |             |       |             |       |             |       |             |       |             |       |       |       |             |       |             |       |             |       |       |       |             |       |             |       |       |       |       |       |             |       |       |      |       |       |             |       |             |       |       |       |             |       |       |       |             |       |       |       |             |       |       |       |       |       |             |       |             |       |       |       |       |       |             |       |             |       |       |       |             |       |             |       |             |       |             |       |             |       |             |      |       |       |             |       |       |       |       |       |             |       |       |       |             |       |       |      |       |       |             |       |       |       |       |       |             |       |       |       |       |      |       |       |             |       |             |       |       |      |       |       |             |       |       |       |       |       |             |       |       |      |       |       |       |      |             |       |       |      |       |      |       |       |       |      |       |       |             |       |       |      |       |      |             |       |       |      |             |       |             |       |             |      |       |      |             |       |             |      |       |      |       |       |       |       |             |       |       |      |       |       |       |       |             |       |       |      |             |       |       |      |             |       |             |      |       |       |       |       |             |       |       |      |       |       |       |      |             |       |       |       |       |      |       |       |       |       |       |       |       |       |       |      |       |      |       |       |       |       |       |       |       |       |       |      |       |      |       |      |       |      |       |      |       |      |       |      |       |      |       |      |       |      |       |      |       |      |       |      |       |      |       |      |       |      |       |      |       |      |       |      |       |      |       |      |      |      |      |      |      |      |      |      |      |      |
| 120           | 2767       | 12.33    | 2.4                    |             |         | 149           | 2235       | 9.96        | 2.7                    |             |         | 153         | 2166  | 9.65        | 2.1   | 177         | 1872  | 8.34        | 2.4   | 201         | 1654  | 7.37        | 2.6   |             |       | 239         | 1391  |             |       | 6.20        | 3.1   |             |       |             |       |             |       |             |       |             |       |             |       | 47          | 10535 |             |       | 31.58       | 1.07  |             |       | 58          | 8507  | 25.5        | 1.33  | 69          | 7189  | 21.55       | 1.57  | 78          | 6342  | 19.01       | 1.63  | 90          | 5498  | 16.48       | 1.88  | 101         | 4894  | 14.67       | 2.1   | 117         | 4217  | 12.64       | 2.2   | 144         | 3426  | 10.27       | 2.6   | 169         | 2922  | 8.76        | 2.3   | 190         | 2599  | 7.79        | 2.2   | 220         | 2242  | 6.72        | 2.9   | 271         | 1821  | 5.46        | 3.1   | 320         | 1545  | 4.63        | 3.7   | <b>45kW</b> |       |             |       |             |       | <b>75kW</b> |       |             |       |             |       | 21          | 18874 | 69.15       | 0.90  | F 157       | 4     | 31          | 21413 | 47.07       | 0.79  | F 157       | 4     |             |       | 24          | 16655 | 61.02       | 1.02  |             |       |             |       | 28          | 14442 | 52.91       | 1.17  |             |       |             |       | 31          | 12848 | 47.07       | 1.32  |             |       |       |       | 36          | 11074 | 40.57 | 1.53  |       |       |       |       | 45    | 8999  | 32.97 | 1.88  |       |       | 53    | 7632  | 27.96 | 2.2   | 36    | 18456 | 40.57 | 0.92  | 45    | 14999 | 32.97 | 1.13  | 53    | 12719 | 27.96 | 1.33  | 58          | 11569 | 25.43 | 1.22 | 67          | 10081 | 22.16       | 1.68 | 75          | 8994  | 19.77       | 1.78  | 88          | 7665  | 16.85       | 2.2  | 106         | 6351  | 13.96       | 2.5   | 124         | 5423  | 11.92       | 2.8   | 58          | 11600 |             |       | 25.50       | 0.97  |             |       | 69          | 9803  |             |       | 21.55       | 1.2   |             |       | 78          | 8648  |             |       | 19.01       | 1.2   | 90          | 7497  | 16.48       | 1.4   | 101         | 6674  | 14.67       | 1.5   | 117         | 5750  | 12.64 | 1.6   | 144         | 4672  | 10.27       | 1.9   | 169         | 3985  | 8.76  | 1.7   | 190         | 3544  | 7.79        | 1.6   | 220         | 3057  | 6.72  | 2.2   | 271         | 2484  | 5.46        | 2.3   | 320   | 2106  | 4.63  | 2.7   | <b>45kW</b> |       |             |       |       |       | <b>75kW</b> |       |             |      |       |       | 30          | 13426 | 49.19       | 0.84  | F 127 | 4    | 58          | 11600 | 25.50       | 0.97  |             |       | F 127       | 4     | 35          | 11595 |             |       |             |       | 42.48       | 0.97  | 39          | 10255 |             |       |             |       | 37.57       | 1.10  | 47          | 8620  |             |       |       |       | 31.58       | 1.31  | 58    | 6960  |       |       |       |       | 25.50 | 1.62  | 55    | 7391  |       |       | 26.92 | 1.08  | 60    | 6758 | 24.97       | 1.18  | 69    | 5882  | 21.55       | 1.92  | 78          | 5189  | 19.01       | 2.0   | 90          | 4498  | 16.48       | 2.3   | 101         | 4004  | 14.67 | 2.6   | 117         | 3450  | 12.64 | 2.7   | 144   | 2803  | 10.27       | 3.2   | 169         | 2391  | 8.76        | 2.8   | 190         | 2126 | 7.79        | 2.7   | 220         | 1834 | 6.72        | 3.6   | 271         | 1490  |             |       | 5.46        | 3.8   |             |       |             |       |             |       |             |       |             |       |             |       |             |       |             |       |             |       |             |       |             |       |             |       |             |       |             |       |             |       |       |       |             |       |             |       |             |       |       |       |             |       |             |       |       |       |       |       |             |       |       |      |       |       |             |       |             |       |       |       |             |       |       |       |             |       |       |       |             |       |       |       |       |       |             |       |             |       |       |       |       |       |             |       |             |       |       |       |             |       |             |       |             |       |             |       |             |       |             |      |       |       |             |       |       |       |       |       |             |       |       |       |             |       |       |      |       |       |             |       |       |       |       |       |             |       |       |       |       |      |       |       |             |       |             |       |       |      |       |       |             |       |       |       |       |       |             |       |       |      |       |       |       |      |             |       |       |      |       |      |       |       |       |      |       |       |             |       |       |      |       |      |             |       |       |      |             |       |             |       |             |      |       |      |             |       |             |      |       |      |       |       |       |       |             |       |       |      |       |       |       |       |             |       |       |      |             |       |       |      |             |       |             |      |       |       |       |       |             |       |       |      |       |       |       |      |             |       |       |       |       |      |       |       |       |       |       |       |       |       |       |      |       |      |       |       |       |       |       |       |       |       |       |      |       |      |       |      |       |      |       |      |       |      |       |      |       |      |       |      |       |      |       |      |       |      |       |      |       |      |       |      |       |      |       |      |       |      |       |      |       |      |       |      |      |      |      |      |      |      |      |      |      |      |
| 149           | 2235       | 9.96     | 2.7                    |             |         | 153           | 2166       | 9.65        | 2.1                    |             |         | 177         | 1872  | 8.34        | 2.4   | 201         | 1654  | 7.37        | 2.6   | 239         | 1391  | 6.20        | 3.1   |             |       | 47          | 10535 |             |       | 31.58       | 1.07  |             |       |             |       |             |       |             |       | 58          | 8507  |             |       | 25.5        | 1.33  |             |       | 69          | 7189  | 21.55       | 1.57  | 78          | 6342  | 19.01       | 1.63  | 90          | 5498  | 16.48       | 1.88  | 101         | 4894  | 14.67       | 2.1   | 117         | 4217  | 12.64       | 2.2   | 144         | 3426  | 10.27       | 2.6   | 169         | 2922  | 8.76        | 2.3   | 190         | 2599  | 7.79        | 2.2   | 220         | 2242  | 6.72        | 2.9   | 271         | 1821  | 5.46        | 3.1   | 320         | 1545  | 4.63        | 3.7   | <b>45kW</b> |       |             |       |             |       | <b>75kW</b> |       |             |       |             |       | 21          | 18874 | 69.15       | 0.90  | F 157       | 4     | 31          | 21413 | 47.07       | 0.79  | F 157       | 4     |             |       | 24          | 16655 | 61.02       | 1.02  |             |       |             |       | 28          | 14442 | 52.91       | 1.17  |             |       |             |       | 31          | 12848 | 47.07       | 1.32  |             |       |             |       | 36          | 11074 | 40.57       | 1.53  |             |       |       |       | 45          | 8999  | 32.97 | 1.88  |       |       |       |       | 53    | 7632  | 27.96 | 2.2   |       |       | 36    | 18456 | 40.57 | 0.92  | 45    | 14999 | 32.97 | 1.13  | 53    | 12719 | 27.96 | 1.33  | 58    | 11569 | 25.43 | 1.22  | 67          | 10081 | 22.16 | 1.68 | 75          | 8994  | 19.77       | 1.78 | 88          | 7665  | 16.85       | 2.2   | 106         | 6351  | 13.96       | 2.5  | 124         | 5423  | 11.92       | 2.8   | 58          | 11600 | 25.50       | 0.97  | 69          | 9803  |             |       | 21.55       | 1.2   |             |       | 78          | 8648  |             |       | 19.01       | 1.2   |             |       | 90          | 7497  | 16.48       | 1.4   | 101         | 6674  | 14.67       | 1.5   | 117         | 5750  | 12.64       | 1.6   | 144         | 4672  | 10.27       | 1.9   | 169   | 3985  | 8.76        | 1.7   | 190         | 3544  | 7.79        | 1.6   | 220   | 3057  | 6.72        | 2.2   | 271         | 2484  | 5.46        | 2.3   | 320   | 2106  | 4.63        | 2.7   | <b>45kW</b> |       |       |       |       |       | <b>75kW</b> |       |             |       |       |       | 30          | 13426 | 49.19       | 0.84 | F 127 | 4     | 58          | 11600 | 25.50       | 0.97  |       |      | F 127       | 4     | 35          | 11595 |             |       |             |       | 42.48       | 0.97  |             |       |             |       | 39          | 10255 | 37.57       | 1.10  |             |       |             |       | 47          | 8620  | 31.58       | 1.31  |             |       |       |       | 58          | 6960  | 25.50 | 1.62  |       |       |       |       | 55    | 7391  | 26.92 | 1.08  |       |       | 60    | 6758  | 24.97 | 1.18 | 69          | 5882  | 21.55 | 1.92  | 78          | 5189  | 19.01       | 2.0   | 90          | 4498  | 16.48       | 2.3   | 101         | 4004  | 14.67       | 2.6   | 117   | 3450  | 12.64       | 2.7   | 144   | 2803  | 10.27 | 3.2   | 169         | 2391  | 8.76        | 2.8   | 190         | 2126  | 7.79        | 2.7  | 220         | 1834  | 6.72        | 3.6  | 271         | 1490  | 5.46        | 3.8   |             |       |             |       |             |       |             |       |             |       |             |       |             |       |             |       |             |       |             |       |             |       |             |       |             |       |             |       |             |       |             |       |             |       |       |       |             |       |             |       |             |       |       |       |             |       |             |       |       |       |       |       |             |       |       |      |       |       |             |       |             |       |       |       |             |       |       |       |             |       |       |       |             |       |       |       |       |       |             |       |             |       |       |       |       |       |             |       |             |       |       |       |             |       |             |       |             |       |             |       |             |       |             |      |       |       |             |       |       |       |       |       |             |       |       |       |             |       |       |      |       |       |             |       |       |       |       |       |             |       |       |       |       |      |       |       |             |       |             |       |       |      |       |       |             |       |       |       |       |       |             |       |       |      |       |       |       |      |             |       |       |      |       |      |       |       |       |      |       |       |             |       |       |      |       |      |             |       |       |      |             |       |             |       |             |      |       |      |             |       |             |      |       |      |       |       |       |       |             |       |       |      |       |       |       |       |             |       |       |      |             |       |       |      |             |       |             |      |       |       |       |       |             |       |       |      |       |       |       |      |             |       |       |       |       |      |       |       |       |       |       |       |       |       |       |      |       |      |       |       |       |       |       |       |       |       |       |      |       |      |       |      |       |      |       |      |       |      |       |      |       |      |       |      |       |      |       |      |       |      |       |      |       |      |       |      |       |      |       |      |       |      |       |      |       |      |       |      |      |      |      |      |      |      |      |      |      |      |
| 153           | 2166       | 9.65     | 2.1                    |             |         | 177           | 1872       | 8.34        | 2.4                    |             |         | 201         | 1654  | 7.37        | 2.6   | 239         | 1391  | 6.20        | 3.1   | 47          | 10535 | 31.58       | 1.07  |             |       | 58          | 8507  |             |       | 25.5        | 1.33  |             |       |             |       | 69          | 7189  |             |       | 21.55       | 1.57  |             |       | 78          | 6342  | 19.01       | 1.63  | 90          | 5498  | 16.48       | 1.88  | 101         | 4894  | 14.67       | 2.1   | 117         | 4217  | 12.64       | 2.2   | 144         | 3426  | 10.27       | 2.6   | 169         | 2922  | 8.76        | 2.3   | 190         | 2599  | 7.79        | 2.2   | 220         | 2242  | 6.72        | 2.9   | 271         | 1821  | 5.46        | 3.1   | 320         | 1545  | 4.63        | 3.7   | <b>45kW</b> |       |             |       |             |       | <b>75kW</b> |       |             |       |             |       | 21          | 18874 | 69.15       | 0.90  | F 157       | 4     | 31          | 21413 | 47.07       | 0.79  | F 157       | 4     |             |       | 24          | 16655 | 61.02       | 1.02  |             |       |             |       | 28          | 14442 | 52.91       | 1.17  |             |       |             |       | 31          | 12848 | 47.07       | 1.32  |             |       |             |       | 36          | 11074 | 40.57       | 1.53  |             |       |             |       | 45          | 8999  | 32.97       | 1.88  |             |       |       |       | 53          | 7632  | 27.96 | 2.2   |       |       |       |       | 36    | 18456 | 40.57 | 0.92  |       |       | 45    | 14999 | 32.97 | 1.13  | 53    | 12719 | 27.96 | 1.33  | 58    | 11569 | 25.43 | 1.22  | 67    | 10081 | 22.16 | 1.68  | 75          | 8994  | 19.77 | 1.78 | 88          | 7665  | 16.85       | 2.2  | 106         | 6351  | 13.96       | 2.5   | 124         | 5423  | 11.92       | 2.8  | 58          | 11600 | 25.50       | 0.97  | 69          | 9803  | 21.55       | 1.2   | 78          | 8648  |             |       | 19.01       | 1.2   |             |       | 90          | 7497  |             |       | 16.48       | 1.4   | 101         | 6674  | 14.67       | 1.5   | 117         | 5750  | 12.64       | 1.6   | 144         | 4672  | 10.27       | 1.9   | 169         | 3985  | 8.76        | 1.7   | 190         | 3544  | 7.79  | 1.6   | 220         | 3057  | 6.72        | 2.2   | 271         | 2484  | 5.46  | 2.3   | 320         | 2106  | 4.63        | 2.7   | <b>45kW</b> |       |       |       |             |       | <b>75kW</b> |       |       |       |       |       | 30          | 13426 | 49.19       | 0.84  | F 127 | 4     | 58          | 11600 | 25.50       | 0.97 |       |       | F 127       | 4     | 35          | 11595 |       |      |             |       | 42.48       | 0.97  |             |       |             |       | 39          | 10255 |             |       |             |       | 37.57       | 1.10  | 47          | 8620  |             |       |             |       | 31.58       | 1.31  | 58          | 6960  |             |       |       |       | 25.50       | 1.62  | 55    | 7391  |       |       |       |       | 26.92 | 1.08  | 60    | 6758  |       |       | 24.97 | 1.18  | 69    | 5882 | 21.55       | 1.92  | 78    | 5189  | 19.01       | 2.0   | 90          | 4498  | 16.48       | 2.3   | 101         | 4004  | 14.67       | 2.6   | 117         | 3450  | 12.64 | 2.7   | 144         | 2803  | 10.27 | 3.2   | 169   | 2391  | 8.76        | 2.8   | 190         | 2126  | 7.79        | 2.7   | 220         | 1834 | 6.72        | 3.6   | 271         | 1490 | 5.46        | 3.8   |             |       |             |       |             |       |             |       |             |       |             |       |             |       |             |       |             |       |             |       |             |       |             |       |             |       |             |       |             |       |             |       |             |       |             |       |       |       |             |       |             |       |             |       |       |       |             |       |             |       |       |       |       |       |             |       |       |      |       |       |             |       |             |       |       |       |             |       |       |       |             |       |       |       |             |       |       |       |       |       |             |       |             |       |       |       |       |       |             |       |             |       |       |       |             |       |             |       |             |       |             |       |             |       |             |      |       |       |             |       |       |       |       |       |             |       |       |       |             |       |       |      |       |       |             |       |       |       |       |       |             |       |       |       |       |      |       |       |             |       |             |       |       |      |       |       |             |       |       |       |       |       |             |       |       |      |       |       |       |      |             |       |       |      |       |      |       |       |       |      |       |       |             |       |       |      |       |      |             |       |       |      |             |       |             |       |             |      |       |      |             |       |             |      |       |      |       |       |       |       |             |       |       |      |       |       |       |       |             |       |       |      |             |       |       |      |             |       |             |      |       |       |       |       |             |       |       |      |       |       |       |      |             |       |       |       |       |      |       |       |       |       |       |       |       |       |       |      |       |      |       |       |       |       |       |       |       |       |       |      |       |      |       |      |       |      |       |      |       |      |       |      |       |      |       |      |       |      |       |      |       |      |       |      |       |      |       |      |       |      |       |      |       |      |       |      |       |      |       |      |      |      |      |      |      |      |      |      |      |      |
| 177           | 1872       | 8.34     | 2.4                    |             |         | 201           | 1654       | 7.37        | 2.6                    |             |         | 239         | 1391  | 6.20        | 3.1   | 47          | 10535 | 31.58       | 1.07  | 58          | 8507  | 25.5        | 1.33  |             |       | 69          | 7189  |             |       | 21.55       | 1.57  | 78          | 6342  |             |       | 19.01       | 1.63  |             |       | 90          | 5498  | 16.48       | 1.88  | 101         | 4894  | 14.67       | 2.1   | 117         | 4217  | 12.64       | 2.2   | 144         | 3426  | 10.27       | 2.6   | 169         | 2922  | 8.76        | 2.3   | 190         | 2599  | 7.79        | 2.2   | 220         | 2242  | 6.72        | 2.9   | 271         | 1821  | 5.46        | 3.1   | 320         | 1545  | 4.63        | 3.7   | <b>45kW</b> |       |             |       |             |       | <b>75kW</b> |       |             |       |             |       | 21          | 18874 | 69.15       | 0.90  | F 157       | 4     | 31          | 21413 | 47.07       | 0.79  | F 157       | 4     |             |       | 24          | 16655 | 61.02       | 1.02  |             |       |             |       | 28          | 14442 | 52.91       | 1.17  |             |       |             |       | 31          | 12848 | 47.07       | 1.32  |             |       |             |       | 36          | 11074 | 40.57       | 1.53  |             |       |             |       | 45          | 8999  | 32.97       | 1.88  |             |       |             |       | 53          | 7632  | 27.96       | 2.2   |             |       |       |       | 36          | 18456 | 40.57 | 0.92  |       |       | 45    | 14999 | 32.97 | 1.13  | 53    | 12719 |       |       | 27.96 | 1.33  | 58    | 11569 | 25.43 | 1.22  | 67    | 10081 | 22.16 | 1.68  | 75    | 8994  | 19.77 | 1.78  | 88    | 7665  | 16.85       | 2.2   | 106   | 6351 | 13.96       | 2.5   | 124         | 5423 | 11.92       | 2.8   | 58          | 11600 | 25.50       | 0.97  | 69          | 9803 | 21.55       | 1.2   | 78          | 8648  | 19.01       | 1.2   | 90          | 7497  | 16.48       | 1.4   |             |       | 101         | 6674  |             |       | 14.67       | 1.5   | 117         | 5750  | 12.64       | 1.6   | 144         | 4672  | 10.27       | 1.9   | 169         | 3985  | 8.76        | 1.7   | 190         | 3544  | 7.79        | 1.6   | 220         | 3057  | 6.72        | 2.2   | 271         | 2484  | 5.46  | 2.3   | 320         | 2106  | 4.63        | 2.7   | <b>45kW</b> |       |       |       |             |       | <b>75kW</b> |       |             |       |       |       | 30          | 13426 | 49.19       | 0.84  | F 127 | 4     | 58    | 11600 | 25.50       | 0.97  | F 127       | 4     |       |       | 35          | 11595 | 42.48       | 0.97 |       |       |             |       | 39          | 10255 |       |      |             |       | 37.57       | 1.10  |             |       |             |       | 47          | 8620  |             |       |             |       | 31.58       | 1.31  | 58          | 6960  |             |       |             |       | 25.50       | 1.62  | 55          | 7391  |             |       |       |       | 26.92       | 1.08  | 60    | 6758  |       |       |       |       | 24.97 | 1.18  | 69    | 5882  |       |       | 21.55 | 1.92  | 78    | 5189 | 19.01       | 2.0   | 90    | 4498  | 16.48       | 2.3   | 101         | 4004  | 14.67       | 2.6   | 117         | 3450  | 12.64       | 2.7   | 144         | 2803  | 10.27 | 3.2   | 169         | 2391  | 8.76  | 2.8   | 190   | 2126  | 7.79        | 2.7   | 220         | 1834  | 6.72        | 3.6   | 271         | 1490 | 5.46        | 3.8   |             |      |             |       |             |       |             |       |             |       |             |       |             |       |             |       |             |       |             |       |             |       |             |       |             |       |             |       |             |       |             |       |             |       |             |       |             |       |             |       |       |       |             |       |             |       |             |       |       |       |             |       |             |       |       |       |       |       |             |       |       |      |       |       |             |       |             |       |       |       |             |       |       |       |             |       |       |       |             |       |       |       |       |       |             |       |             |       |       |       |       |       |             |       |             |       |       |       |             |       |             |       |             |       |             |       |             |       |             |      |       |       |             |       |       |       |       |       |             |       |       |       |             |       |       |      |       |       |             |       |       |       |       |       |             |       |       |       |       |      |       |       |             |       |             |       |       |      |       |       |             |       |       |       |       |       |             |       |       |      |       |       |       |      |             |       |       |      |       |      |       |       |       |      |       |       |             |       |       |      |       |      |             |       |       |      |             |       |             |       |             |      |       |      |             |       |             |      |       |      |       |       |       |       |             |       |       |      |       |       |       |       |             |       |       |      |             |       |       |      |             |       |             |      |       |       |       |       |             |       |       |      |       |       |       |      |             |       |       |       |       |      |       |       |       |       |       |       |       |       |       |      |       |      |       |       |       |       |       |       |       |       |       |      |       |      |       |      |       |      |       |      |       |      |       |      |       |      |       |      |       |      |       |      |       |      |       |      |       |      |       |      |       |      |       |      |       |      |       |      |       |      |       |      |      |      |      |      |      |      |      |      |      |      |
| 201           | 1654       | 7.37     | 2.6                    |             |         | 239           | 1391       | 6.20        | 3.1                    |             |         | 47          | 10535 | 31.58       | 1.07  | 58          | 8507  | 25.5        | 1.33  | 69          | 7189  | 21.55       | 1.57  |             |       | 78          | 6342  | 19.01       | 1.63  | 90          | 5498  | 16.48       | 1.88  |             |       | 101         | 4894  | 14.67       | 2.1   | 117         | 4217  | 12.64       | 2.2   | 144         | 3426  | 10.27       | 2.6   | 169         | 2922  | 8.76        | 2.3   | 190         | 2599  | 7.79        | 2.2   | 220         | 2242  | 6.72        | 2.9   | 271         | 1821  | 5.46        | 3.1   | 320         | 1545  | 4.63        | 3.7   | <b>45kW</b> |       |             |       |             |       | <b>75kW</b> |       |             |       |             |       | 21          | 18874 | 69.15       | 0.90  | F 157       | 4     | 31          | 21413 | 47.07       | 0.79  | F 157       | 4     |             |       | 24          | 16655 | 61.02       | 1.02  |             |       |             |       | 28          | 14442 | 52.91       | 1.17  |             |       |             |       | 31          | 12848 | 47.07       | 1.32  |             |       |             |       | 36          | 11074 | 40.57       | 1.53  |             |       |             |       | 45          | 8999  | 32.97       | 1.88  |             |       |             |       | 53          | 7632  | 27.96       | 2.2   |             |       |             |       | 36          | 18456 | 40.57       | 0.92  |             |       | 45    | 14999 | 32.97       | 1.13  | 53    | 12719 |       |       | 27.96 | 1.33  | 58    | 11569 | 25.43 | 1.22  |       |       | 67    | 10081 | 22.16 | 1.68  | 75    | 8994  | 19.77 | 1.78  | 88    | 7665  | 16.85 | 2.2   | 106   | 6351  | 13.96 | 2.5   | 124         | 5423  | 11.92 | 2.8  | 58          | 11600 | 25.50       | 0.97 | 69          | 9803  | 21.55       | 1.2   | 78          | 8648  | 19.01       | 1.2  | 90          | 7497  | 16.48       | 1.4   | 101         | 6674  | 14.67       | 1.5   | 117         | 5750  |             |       | 12.64       | 1.6   | 144         | 4672  | 10.27       | 1.9   | 169         | 3985  | 8.76        | 1.7   | 190         | 3544  | 7.79        | 1.6   | 220         | 3057  | 6.72        | 2.2   | 271         | 2484  | 5.46        | 2.3   | 320         | 2106  | 4.63        | 2.7   | <b>45kW</b> |       |       |       |             |       | <b>75kW</b> |       |             |       |       |       | 30          | 13426 | 49.19       | 0.84  | F 127       | 4     | 58    | 11600 | 25.50       | 0.97  | F 127       | 4     |       |       | 35    | 11595 | 42.48       | 0.97  |             |       |       |       | 39          | 10255 | 37.57       | 1.10 |       |       |             |       | 47          | 8620  |       |      |             |       | 31.58       | 1.31  |             |       |             |       | 58          | 6960  |             |       |             |       | 25.50       | 1.62  | 55          | 7391  |             |       |             |       | 26.92       | 1.08  | 60          | 6758  |             |       |       |       | 24.97       | 1.18  | 69    | 5882  |       |       |       |       | 21.55 | 1.92  | 78    | 5189  |       |       | 19.01 | 2.0   | 90    | 4498 | 16.48       | 2.3   | 101   | 4004  | 14.67       | 2.6   | 117         | 3450  | 12.64       | 2.7   | 144         | 2803  | 10.27       | 3.2   | 169         | 2391  | 8.76  | 2.8   | 190         | 2126  | 7.79  | 2.7   | 220   | 1834  | 6.72        | 3.6   | 271         | 1490  | 5.46        | 3.8   |             |      |             |       |             |      |             |       |             |       |             |       |             |       |             |       |             |       |             |       |             |       |             |       |             |       |             |       |             |       |             |       |             |       |             |       |             |       |             |       |             |       |             |       |       |       |             |       |             |       |             |       |       |       |             |       |             |       |       |       |       |       |             |       |       |      |       |       |             |       |             |       |       |       |             |       |       |       |             |       |       |       |             |       |       |       |       |       |             |       |             |       |       |       |       |       |             |       |             |       |       |       |             |       |             |       |             |       |             |       |             |       |             |      |       |       |             |       |       |       |       |       |             |       |       |       |             |       |       |      |       |       |             |       |       |       |       |       |             |       |       |       |       |      |       |       |             |       |             |       |       |      |       |       |             |       |       |       |       |       |             |       |       |      |       |       |       |      |             |       |       |      |       |      |       |       |       |      |       |       |             |       |       |      |       |      |             |       |       |      |             |       |             |       |             |      |       |      |             |       |             |      |       |      |       |       |       |       |             |       |       |      |       |       |       |       |             |       |       |      |             |       |       |      |             |       |             |      |       |       |       |       |             |       |       |      |       |       |       |      |             |       |       |       |       |      |       |       |       |       |       |       |       |       |       |      |       |      |       |       |       |       |       |       |       |       |       |      |       |      |       |      |       |      |       |      |       |      |       |      |       |      |       |      |       |      |       |      |       |      |       |      |       |      |       |      |       |      |       |      |       |      |       |      |       |      |       |      |      |      |      |      |      |      |      |      |      |      |
| 239           | 1391       | 6.20     | 3.1                    |             |         | 47            | 10535      | 31.58       | 1.07                   |             |         | 58          | 8507  | 25.5        | 1.33  | 69          | 7189  | 21.55       | 1.57  | 78          | 6342  | 19.01       | 1.63  | 90          | 5498  | 16.48       | 1.88  | 101         | 4894  | 14.67       | 2.1   | 117         | 4217  | 12.64       | 2.2   | 144         | 3426  | 10.27       | 2.6   | 169         | 2922  | 8.76        | 2.3   | 190         | 2599  | 7.79        | 2.2   | 220         | 2242  | 6.72        | 2.9   | 271         | 1821  | 5.46        | 3.1   | 320         | 1545  | 4.63        | 3.7   | <b>45kW</b> |       |             |       |             |       | <b>75kW</b> |       |             |       |             |       | 21          | 18874 | 69.15       | 0.90  | F 157       | 4     | 31          | 21413 | 47.07       | 0.79  | F 157       | 4     |             |       | 24          | 16655 | 61.02       | 1.02  |             |       |             |       | 28          | 14442 | 52.91       | 1.17  |             |       |             |       | 31          | 12848 | 47.07       | 1.32  |             |       |             |       | 36          | 11074 | 40.57       | 1.53  |             |       |             |       | 45          | 8999  | 32.97       | 1.88  |             |       |             |       | 53          | 7632  | 27.96       | 2.2   |             |       |             |       | 36          | 18456 | 40.57       | 0.92  |             |       | 45          | 14999 | 32.97       | 1.13  | 53          | 12719 |             |       | 27.96 | 1.33  | 58          | 11569 | 25.43 | 1.22  |       |       | 67    | 10081 | 22.16 | 1.68  | 75    | 8994  |       |       | 19.77 | 1.78  | 88    | 7665  | 16.85 | 2.2   | 106   | 6351  | 13.96 | 2.5   | 124   | 5423  | 11.92 | 2.8   | 58    | 11600 | 25.50       | 0.97  | 69    | 9803 | 21.55       | 1.2   | 78          | 8648 | 19.01       | 1.2   | 90          | 7497  | 16.48       | 1.4   | 101         | 6674 | 14.67       | 1.5   | 117         | 5750  | 12.64       | 1.6   | 144         | 4672  | 10.27       | 1.9   | 169         | 3985  | 8.76        | 1.7   | 190         | 3544  | 7.79        | 1.6   | 220         | 3057  | 6.72        | 2.2   | 271         | 2484  | 5.46        | 2.3   | 320         | 2106  | 4.63        | 2.7   | <b>45kW</b> |       |             |       |             |       | <b>75kW</b> |       |             |       |       |       | 30          | 13426 | 49.19       | 0.84  | F 127       | 4     | 58    | 11600 | 25.50       | 0.97  | F 127       | 4     |             |       | 35    | 11595 | 42.48       | 0.97  |             |       |       |       | 39    | 10255 | 37.57       | 1.10  |             |       |       |       | 47          | 8620  | 31.58       | 1.31 |       |       |             |       | 58          | 6960  |       |      |             |       | 25.50       | 1.62  |             |       |             |       | 55          | 7391  |             |       |             |       | 26.92       | 1.08  | 60          | 6758  |             |       |             |       | 24.97       | 1.18  | 69          | 5882  |             |       |       |       | 21.55       | 1.92  | 78    | 5189  |       |       |       |       | 19.01 | 2.0   | 90    | 4498  |       |       | 16.48 | 2.3   | 101   | 4004 | 14.67       | 2.6   | 117   | 3450  | 12.64       | 2.7   | 144         | 2803  | 10.27       | 3.2   | 169         | 2391  | 8.76        | 2.8   | 190         | 2126  | 7.79  | 2.7   | 220         | 1834  | 6.72  | 3.6   | 271   | 1490  | 5.46        | 3.8   |             |       |             |       |             |      |             |       |             |      |             |       |             |       |             |       |             |       |             |       |             |       |             |       |             |       |             |       |             |       |             |       |             |       |             |       |             |       |             |       |             |       |             |       |             |       |             |       |       |       |             |       |             |       |             |       |       |       |             |       |             |       |       |       |       |       |             |       |       |      |       |       |             |       |             |       |       |       |             |       |       |       |             |       |       |       |             |       |       |       |       |       |             |       |             |       |       |       |       |       |             |       |             |       |       |       |             |       |             |       |             |       |             |       |             |       |             |      |       |       |             |       |       |       |       |       |             |       |       |       |             |       |       |      |       |       |             |       |       |       |       |       |             |       |       |       |       |      |       |       |             |       |             |       |       |      |       |       |             |       |       |       |       |       |             |       |       |      |       |       |       |      |             |       |       |      |       |      |       |       |       |      |       |       |             |       |       |      |       |      |             |       |       |      |             |       |             |       |             |      |       |      |             |       |             |      |       |      |       |       |       |       |             |       |       |      |       |       |       |       |             |       |       |      |             |       |       |      |             |       |             |      |       |       |       |       |             |       |       |      |       |       |       |      |             |       |       |       |       |      |       |       |       |       |       |       |       |       |       |      |       |      |       |       |       |       |       |       |       |       |       |      |       |      |       |      |       |      |       |      |       |      |       |      |       |      |       |      |       |      |       |      |       |      |       |      |       |      |       |      |       |      |       |      |       |      |       |      |       |      |       |      |      |      |      |      |      |      |      |      |      |      |
| 47            | 10535      | 31.58    | 1.07                   |             |         | 58            | 8507       | 25.5        | 1.33                   |             |         | 69          | 7189  | 21.55       | 1.57  | 78          | 6342  | 19.01       | 1.63  | 90          | 5498  | 16.48       | 1.88  | 101         | 4894  | 14.67       | 2.1   | 117         | 4217  | 12.64       | 2.2   | 144         | 3426  | 10.27       | 2.6   | 169         | 2922  | 8.76        | 2.3   | 190         | 2599  | 7.79        | 2.2   | 220         | 2242  | 6.72        | 2.9   | 271         | 1821  | 5.46        | 3.1   | 320         | 1545  | 4.63        | 3.7   | <b>45kW</b> |       |             |       |             |       | <b>75kW</b> |       |             |       |             |       | 21          | 18874 | 69.15       | 0.90  | F 157       | 4     | 31          | 21413 |             |       | 47.07       | 0.79  | F 157       | 4     |             |       |             |       | 24          | 16655 | 61.02       | 1.02  |             |       |             |       | 28          | 14442 | 52.91       | 1.17  |             |       |             |       | 31          | 12848 | 47.07       | 1.32  |             |       |             |       | 36          | 11074 | 40.57       | 1.53  |             |       |             |       | 45          | 8999  | 32.97       | 1.88  |             |       |             |       | 53          | 7632  | 27.96       | 2.2   |             |       | 36          | 18456 | 40.57       | 0.92  | 45          | 14999 |             |       | 32.97       | 1.13  | 53          | 12719 | 27.96       | 1.33  |             |       | 58    | 11569 | 25.43       | 1.22  | 67    | 10081 |       |       | 22.16 | 1.68  | 75    | 8994  | 19.77 | 1.78  |       |       | 88    | 7665  | 16.85 | 2.2   | 106   | 6351  | 13.96 | 2.5   | 124   | 5423  | 11.92 | 2.8   | 58    | 11600 | 25.50 | 0.97  | 69          | 9803  | 21.55 | 1.2  | 78          | 8648  | 19.01       | 1.2  | 90          | 7497  | 16.48       | 1.4   | 101         | 6674  | 14.67       | 1.5  | 117         | 5750  | 12.64       | 1.6   | 144         | 4672  | 10.27       | 1.9   | 169         | 3985  | 8.76        | 1.7   | 190         | 3544  | 7.79        | 1.6   | 220         | 3057  | 6.72        | 2.2   | 271         | 2484  | 5.46        | 2.3   | 320         | 2106  | 4.63        | 2.7   | <b>45kW</b> |       |             |       |             |       | <b>75kW</b> |       |             |       |             |       | 30    | 13426 | 49.19       | 0.84  | F 127       | 4     |             |       | 58    | 11600 | 25.50       | 0.97  |             |       |             |       | F 127 | 4     | 35          | 11595 |             |       |       |       | 42.48 | 0.97  | 39          | 10255 |             |       |       |       | 37.57       | 1.10  | 47          | 8620 |       |       |             |       | 31.58       | 1.31  |       |      |             |       | 58          | 6960  |             |       |             |       | 25.50       | 1.62  |             |       |             |       | 55          | 7391  | 26.92       | 1.08  |             |       |             |       | 60          | 6758  | 24.97       | 1.18  |             |       |       |       | 69          | 5882  | 21.55 | 1.92  |       |       |       |       | 78    | 5189  | 19.01 | 2.0   |       |       | 90    | 4498  | 16.48 | 2.3  | 101         | 4004  | 14.67 | 2.6   | 117         | 3450  | 12.64       | 2.7   | 144         | 2803  | 10.27       | 3.2   | 169         | 2391  | 8.76        | 2.8   | 190   | 2126  | 7.79        | 2.7   | 220   | 1834  | 6.72  | 3.6   | 271         | 1490  | 5.46        | 3.8   |             |       |             |      |             |       |             |      |             |       |             |       |             |       |             |       |             |       |             |       |             |       |             |       |             |       |             |       |             |       |             |       |             |       |             |       |             |       |             |       |             |       |             |       |             |       |       |       |             |       |             |       |             |       |       |       |             |       |             |       |       |       |       |       |             |       |       |      |       |       |             |       |             |       |       |       |             |       |       |       |             |       |       |       |             |       |       |       |       |       |             |       |             |       |       |       |       |       |             |       |             |       |       |       |             |       |             |       |             |       |             |       |             |       |             |      |       |       |             |       |       |       |       |       |             |       |       |       |             |       |       |      |       |       |             |       |       |       |       |       |             |       |       |       |       |      |       |       |             |       |             |       |       |      |       |       |             |       |       |       |       |       |             |       |       |      |       |       |       |      |             |       |       |      |       |      |       |       |       |      |       |       |             |       |       |      |       |      |             |       |       |      |             |       |             |       |             |      |       |      |             |       |             |      |       |      |       |       |       |       |             |       |       |      |       |       |       |       |             |       |       |      |             |       |       |      |             |       |             |      |       |       |       |       |             |       |       |      |       |       |       |      |             |       |       |       |       |      |       |       |       |       |       |       |       |       |       |      |       |      |       |       |       |       |       |       |       |       |       |      |       |      |       |      |       |      |       |      |       |      |       |      |       |      |       |      |       |      |       |      |       |      |       |      |       |      |       |      |       |      |       |      |       |      |       |      |       |      |       |      |      |      |      |      |      |      |      |      |      |      |
| 58            | 8507       | 25.5     | 1.33                   |             |         | 69            | 7189       | 21.55       | 1.57                   |             |         | 78          | 6342  | 19.01       | 1.63  | 90          | 5498  | 16.48       | 1.88  | 101         | 4894  | 14.67       | 2.1   | 117         | 4217  | 12.64       | 2.2   | 144         | 3426  | 10.27       | 2.6   | 169         | 2922  | 8.76        | 2.3   | 190         | 2599  | 7.79        | 2.2   | 220         | 2242  | 6.72        | 2.9   | 271         | 1821  | 5.46        | 3.1   | 320         | 1545  | 4.63        | 3.7   | <b>45kW</b> |       |             |       |             |       | <b>75kW</b> |       |             |       |             |       | 21          | 18874 | 69.15       | 0.90  | F 157       | 4     | 31          | 21413 |             |       | 47.07       | 0.79  |             |       | F 157       | 4     |             |       |             |       |             |       | 24          | 16655 | 61.02       | 1.02  |             |       |             |       | 28          | 14442 | 52.91       | 1.17  |             |       |             |       | 31          | 12848 | 47.07       | 1.32  |             |       |             |       | 36          | 11074 | 40.57       | 1.53  |             |       |             |       | 45          | 8999  | 32.97       | 1.88  |             |       | 53          | 7632  | 27.96       | 2.2   | 36          | 18456 |             |       | 40.57       | 0.92  | 45          | 14999 | 32.97       | 1.13  |             |       | 53          | 12719 | 27.96       | 1.33  | 58          | 11569 |             |       | 25.43 | 1.22  | 67          | 10081 | 22.16 | 1.68  |       |       | 75    | 8994  | 19.77 | 1.78  | 88    | 7665  |       |       | 16.85 | 2.2   | 106   | 6351  | 13.96 | 2.5   | 124   | 5423  | 11.92 | 2.8   | 58    | 11600 | 25.50 | 0.97  | 69    | 9803  | 21.55       | 1.2   | 78    | 8648 | 19.01       | 1.2   | 90          | 7497 | 16.48       | 1.4   | 101         | 6674  | 14.67       | 1.5   | 117         | 5750 | 12.64       | 1.6   | 144         | 4672  | 10.27       | 1.9   | 169         | 3985  | 8.76        | 1.7   | 190         | 3544  | 7.79        | 1.6   | 220         | 3057  | 6.72        | 2.2   | 271         | 2484  | 5.46        | 2.3   | 320         | 2106  | 4.63        | 2.7   | <b>45kW</b> |       |             |       |             |       | <b>75kW</b> |       |             |       |             |       | 30          | 13426 | 49.19 | 0.84  | F 127       | 4     |             |       |             |       | 58    | 11600 | 25.50       | 0.97  |             |       |             |       |       |       | F 127       | 4     |             |       |       |       | 35    | 11595 | 42.48       | 0.97  |             |       |       |       | 39          | 10255 | 37.57       | 1.10 |       |       |             |       | 47          | 8620  |       |      |             |       | 31.58       | 1.31  |             |       |             |       | 58          | 6960  |             |       |             |       | 25.50       | 1.62  | 55          | 7391  |             |       |             |       | 26.92       | 1.08  | 60          | 6758  |             |       |       |       | 24.97       | 1.18  | 69    | 5882  |       |       |       |       | 21.55 | 1.92  | 78    | 5189  |       |       | 19.01 | 2.0   | 90    | 4498 | 16.48       | 2.3   | 101   | 4004  | 14.67       | 2.6   | 117         | 3450  | 12.64       | 2.7   | 144         | 2803  | 10.27       | 3.2   | 169         | 2391  | 8.76  | 2.8   | 190         | 2126  | 7.79  | 2.7   | 220   | 1834  | 6.72        | 3.6   | 271         | 1490  | 5.46        | 3.8   |             |      |             |       |             |      |             |       |             |       |             |       |             |       |             |       |             |       |             |       |             |       |             |       |             |       |             |       |             |       |             |       |             |       |             |       |             |       |             |       |             |       |             |       |       |       |             |       |             |       |             |       |       |       |             |       |             |       |       |       |       |       |             |       |       |      |       |       |             |       |             |       |       |       |             |       |       |       |             |       |       |       |             |       |       |       |       |       |             |       |             |       |       |       |       |       |             |       |             |       |       |       |             |       |             |       |             |       |             |       |             |       |             |      |       |       |             |       |       |       |       |       |             |       |       |       |             |       |       |      |       |       |             |       |       |       |       |       |             |       |       |       |       |      |       |       |             |       |             |       |       |      |       |       |             |       |       |       |       |       |             |       |       |      |       |       |       |      |             |       |       |      |       |      |       |       |       |      |       |       |             |       |       |      |       |      |             |       |       |      |             |       |             |       |             |      |       |      |             |       |             |      |       |      |       |       |       |       |             |       |       |      |       |       |       |       |             |       |       |      |             |       |       |      |             |       |             |      |       |       |       |       |             |       |       |      |       |       |       |      |             |       |       |       |       |      |       |       |       |       |       |       |       |       |       |      |       |      |       |       |       |       |       |       |       |       |       |      |       |      |       |      |       |      |       |      |       |      |       |      |       |      |       |      |       |      |       |      |       |      |       |      |       |      |       |      |       |      |       |      |       |      |       |      |       |      |       |      |      |      |      |      |      |      |      |      |      |      |
| 69            | 7189       | 21.55    | 1.57                   | 78          | 6342    | 19.01         | 1.63       | 90          | 5498                   | 16.48       | 1.88    | 101         | 4894  | 14.67       | 2.1   | 117         | 4217  | 12.64       | 2.2   | 144         | 3426  | 10.27       | 2.6   | 169         | 2922  | 8.76        | 2.3   | 190         | 2599  | 7.79        | 2.2   | 220         | 2242  | 6.72        | 2.9   | 271         | 1821  | 5.46        | 3.1   | 320         | 1545  | 4.63        | 3.7   | <b>45kW</b> |       |             |       |             |       | <b>75kW</b> |       |             |       |             |       | 21          | 18874 | 69.15       | 0.90  | F 157       | 4     | 31          | 21413 | 47.07       | 0.79  | F 157       | 4     |             |       | 24          | 16655 |             |       | 61.02       | 1.02  |             |       |             |       |             |       |             |       |             |       | 28          | 14442 | 52.91       | 1.17  |             |       |             |       | 31          | 12848 | 47.07       | 1.32  |             |       |             |       | 36          | 11074 | 40.57       | 1.53  |             |       |             |       | 45          | 8999  | 32.97       | 1.88  |             |       | 53          | 7632  | 27.96       | 2.2   | 36          | 18456 |             |       | 40.57       | 0.92  | 45          | 14999 | 32.97       | 1.13  |             |       | 53          | 12719 | 27.96       | 1.33  | 58          | 11569 |             |       | 25.43       | 1.22  | 67          | 10081 | 22.16       | 1.68  |             |       | 75    | 8994  | 19.77       | 1.78  | 88    | 7665  |       |       | 16.85 | 2.2   | 106   | 6351  | 13.96 | 2.5   |       |       | 124   | 5423  | 11.92 | 2.8   | 58    | 11600 | 25.50 | 0.97  | 69    | 9803  | 21.55 | 1.2   | 78    | 8648  | 19.01 | 1.2   | 90          | 7497  | 16.48 | 1.4  | 101         | 6674  | 14.67       | 1.5  | 117         | 5750  | 12.64       | 1.6   | 144         | 4672  | 10.27       | 1.9  | 169         | 3985  | 8.76        | 1.7   | 190         | 3544  | 7.79        | 1.6   | 220         | 3057  | 6.72        | 2.2   | 271         | 2484  | 5.46        | 2.3   | 320         | 2106  | 4.63        | 2.7   | <b>45kW</b> |       |             |       |             |       | <b>75kW</b> |       |             |       |             |       | 30          | 13426 | 49.19       | 0.84  | F 127       | 4     | 58          | 11600 | 25.50 | 0.97  |             |       |             |       |             |       | F 127 | 4     | 35          | 11595 |             |       |             |       |       |       |             |       |             |       |       |       | 42.48 | 0.97  | 39          | 10255 |             |       |       |       | 37.57       | 1.10  | 47          | 8620 |       |       |             |       | 31.58       | 1.31  |       |      |             |       | 58          | 6960  |             |       |             |       | 25.50       | 1.62  |             |       |             |       | 55          | 7391  | 26.92       | 1.08  |             |       |             |       | 60          | 6758  | 24.97       | 1.18  |             |       |       |       | 69          | 5882  | 21.55 | 1.92  |       |       |       |       | 78    | 5189  | 19.01 | 2.0   |       |       | 90    | 4498  | 16.48 | 2.3  | 101         | 4004  | 14.67 | 2.6   | 117         | 3450  | 12.64       | 2.7   | 144         | 2803  | 10.27       | 3.2   | 169         | 2391  | 8.76        | 2.8   | 190   | 2126  | 7.79        | 2.7   | 220   | 1834  | 6.72  | 3.6   | 271         | 1490  | 5.46        | 3.8   |             |       |             |      |             |       |             |      |             |       |             |       |             |       |             |       |             |       |             |       |             |       |             |       |             |       |             |       |             |       |             |       |             |       |             |       |             |       |             |       |             |       |             |       |             |       |       |       |             |       |             |       |             |       |       |       |             |       |             |       |       |       |       |       |             |       |       |      |       |       |             |       |             |       |       |       |             |       |       |       |             |       |       |       |             |       |       |       |       |       |             |       |             |       |       |       |       |       |             |       |             |       |       |       |             |       |             |       |             |       |             |       |             |       |             |      |       |       |             |       |       |       |       |       |             |       |       |       |             |       |       |      |       |       |             |       |       |       |       |       |             |       |       |       |       |      |       |       |             |       |             |       |       |      |       |       |             |       |       |       |       |       |             |       |       |      |       |       |       |      |             |       |       |      |       |      |       |       |       |      |       |       |             |       |       |      |       |      |             |       |       |      |             |       |             |       |             |      |       |      |             |       |             |      |       |      |       |       |       |       |             |       |       |      |       |       |       |       |             |       |       |      |             |       |       |      |             |       |             |      |       |       |       |       |             |       |       |      |       |       |       |      |             |       |       |       |       |      |       |       |       |       |       |       |       |       |       |      |       |      |       |       |       |       |       |       |       |       |       |      |       |      |       |      |       |      |       |      |       |      |       |      |       |      |       |      |       |      |       |      |       |      |       |      |       |      |       |      |       |      |       |      |       |      |       |      |       |      |       |      |      |      |      |      |      |      |      |      |      |      |
| 78            | 6342       | 19.01    | 1.63                   | 90          | 5498    | 16.48         | 1.88       | 101         | 4894                   | 14.67       | 2.1     | 117         | 4217  | 12.64       | 2.2   | 144         | 3426  | 10.27       | 2.6   | 169         | 2922  | 8.76        | 2.3   | 190         | 2599  | 7.79        | 2.2   | 220         | 2242  | 6.72        | 2.9   | 271         | 1821  | 5.46        | 3.1   | 320         | 1545  | 4.63        | 3.7   | <b>45kW</b> |       |             |       |             |       | <b>75kW</b> |       |             |       |             |       | 21          | 18874 | 69.15       | 0.90  | F 157       | 4     | 31          | 21413 |             |       | 47.07       | 0.79  | F 157       | 4     |             |       |             |       | 24          | 16655 |             |       | 61.02       | 1.02  |             |       |             |       |             |       |             |       |             |       | 28          | 14442 | 52.91       | 1.17  |             |       |             |       | 31          | 12848 | 47.07       | 1.32  |             |       |             |       | 36          | 11074 | 40.57       | 1.53  |             |       | 45          | 8999  | 32.97       | 1.88  | 53          | 7632  |             |       | 27.96       | 2.2   | 36          | 18456 | 40.57       | 0.92  |             |       | 45          | 14999 | 32.97       | 1.13  | 53          | 12719 |             |       | 27.96       | 1.33  | 58          | 11569 | 25.43       | 1.22  |             |       | 67          | 10081 | 22.16       | 1.68  | 75          | 8994  |             |       | 19.77 | 1.78  | 88          | 7665  | 16.85 | 2.2   |       |       | 106   | 6351  | 13.96 | 2.5   | 124   | 5423  | 11.92 | 2.8   | 58    | 11600 | 25.50 | 0.97  | 69    | 9803  | 21.55 | 1.2   | 78    | 8648  | 19.01 | 1.2   | 90    | 7497  | 16.48 | 1.4   | 101         | 6674  | 14.67 | 1.5  | 117         | 5750  | 12.64       | 1.6  | 144         | 4672  | 10.27       | 1.9   | 169         | 3985  | 8.76        | 1.7  | 190         | 3544  | 7.79        | 1.6   | 220         | 3057  | 6.72        | 2.2   | 271         | 2484  | 5.46        | 2.3   | 320         | 2106  | 4.63        | 2.7   | <b>45kW</b> |       |             |       |             |       | <b>75kW</b> |       |             |       |             |       | 30          | 13426 | 49.19       | 0.84  | F 127       | 4     | 58          | 11600 |             |       | 25.50       | 0.97  | F 127 | 4     |             |       |             |       |             |       |       |       | 35          | 11595 |             |       |             |       |       |       |             |       |             |       |       |       | 42.48 | 0.97  | 39          | 10255 |             |       |       |       | 37.57       | 1.10  | 47          | 8620 |       |       |             |       | 31.58       | 1.31  |       |      |             |       | 58          | 6960  |             |       |             |       | 25.50       | 1.62  |             |       |             |       | 55          | 7391  | 26.92       | 1.08  |             |       |             |       | 60          | 6758  | 24.97       | 1.18  |             |       |       |       | 69          | 5882  | 21.55 | 1.92  |       |       |       |       | 78    | 5189  | 19.01 | 2.0   |       |       | 90    | 4498  | 16.48 | 2.3  | 101         | 4004  | 14.67 | 2.6   | 117         | 3450  | 12.64       | 2.7   | 144         | 2803  | 10.27       | 3.2   | 169         | 2391  | 8.76        | 2.8   | 190   | 2126  | 7.79        | 2.7   | 220   | 1834  | 6.72  | 3.6   | 271         | 1490  | 5.46        | 3.8   |             |       |             |      |             |       |             |      |             |       |             |       |             |       |             |       |             |       |             |       |             |       |             |       |             |       |             |       |             |       |             |       |             |       |             |       |             |       |             |       |             |       |             |       |             |       |       |       |             |       |             |       |             |       |       |       |             |       |             |       |       |       |       |       |             |       |       |      |       |       |             |       |             |       |       |       |             |       |       |       |             |       |       |       |             |       |       |       |       |       |             |       |             |       |       |       |       |       |             |       |             |       |       |       |             |       |             |       |             |       |             |       |             |       |             |      |       |       |             |       |       |       |       |       |             |       |       |       |             |       |       |      |       |       |             |       |       |       |       |       |             |       |       |       |       |      |       |       |             |       |             |       |       |      |       |       |             |       |       |       |       |       |             |       |       |      |       |       |       |      |             |       |       |      |       |      |       |       |       |      |       |       |             |       |       |      |       |      |             |       |       |      |             |       |             |       |             |      |       |      |             |       |             |      |       |      |       |       |       |       |             |       |       |      |       |       |       |       |             |       |       |      |             |       |       |      |             |       |             |      |       |       |       |       |             |       |       |      |       |       |       |      |             |       |       |       |       |      |       |       |       |       |       |       |       |       |       |      |       |      |       |       |       |       |       |       |       |       |       |      |       |      |       |      |       |      |       |      |       |      |       |      |       |      |       |      |       |      |       |      |       |      |       |      |       |      |       |      |       |      |       |      |       |      |       |      |       |      |       |      |      |      |      |      |      |      |      |      |      |      |
| 90            | 5498       | 16.48    | 1.88                   | 101         | 4894    | 14.67         | 2.1        | 117         | 4217                   | 12.64       | 2.2     | 144         | 3426  | 10.27       | 2.6   | 169         | 2922  | 8.76        | 2.3   | 190         | 2599  | 7.79        | 2.2   | 220         | 2242  | 6.72        | 2.9   | 271         | 1821  | 5.46        | 3.1   | 320         | 1545  | 4.63        | 3.7   | <b>45kW</b> |       |             |       |             |       | <b>75kW</b> |       |             |       |             |       | 21          | 18874 | 69.15       | 0.90  | F 157       | 4     | 31          | 21413 |             |       | 47.07       | 0.79  |             |       | F 157       | 4     |             |       |             |       |             |       | 24          | 16655 |             |       | 61.02       | 1.02  |             |       |             |       |             |       |             |       |             |       | 28          | 14442 | 52.91       | 1.17  |             |       |             |       | 31          | 12848 | 47.07       | 1.32  |             |       | 36          | 11074 | 40.57       | 1.53  | 45          | 8999  |             |       | 32.97       | 1.88  | 53          | 7632  | 27.96       | 2.2   |             |       | 36          | 18456 | 40.57       | 0.92  | 45          | 14999 |             |       | 32.97       | 1.13  | 53          | 12719 | 27.96       | 1.33  |             |       | 58          | 11569 | 25.43       | 1.22  | 67          | 10081 |             |       | 22.16       | 1.68  | 75          | 8994  | 19.77       | 1.78  |             |       | 88    | 7665  | 16.85       | 2.2   | 106   | 6351  | 13.96 | 2.5   | 124   | 5423  | 11.92 | 2.8   | 58    | 11600 | 25.50 | 0.97  | 69    | 9803  | 21.55 | 1.2   | 78    | 8648  | 19.01 | 1.2   | 90    | 7497  | 16.48 | 1.4   | 101   | 6674  | 14.67 | 1.5   | 117         | 5750  | 12.64 | 1.6  | 144         | 4672  | 10.27       | 1.9  | 169         | 3985  | 8.76        | 1.7   | 190         | 3544  | 7.79        | 1.6  | 220         | 3057  | 6.72        | 2.2   | 271         | 2484  | 5.46        | 2.3   | 320         | 2106  | 4.63        | 2.7   | <b>45kW</b> |       |             |       |             |       | <b>75kW</b> |       |             |       |             |       | 30          | 13426 | 49.19       | 0.84  | F 127       | 4     | 58          | 11600 |             |       | 25.50       | 0.97  |             |       | F 127       | 4     |       |       |             |       |             |       |             |       |       |       | 35          | 11595 |             |       |             |       |       |       |             |       |             |       |       |       | 42.48 | 0.97  | 39          | 10255 |             |       |       |       | 37.57       | 1.10  | 47          | 8620 |       |       |             |       | 31.58       | 1.31  |       |      |             |       | 58          | 6960  |             |       |             |       | 25.50       | 1.62  |             |       |             |       | 55          | 7391  | 26.92       | 1.08  |             |       |             |       | 60          | 6758  | 24.97       | 1.18  |             |       |       |       | 69          | 5882  | 21.55 | 1.92  |       |       |       |       | 78    | 5189  | 19.01 | 2.0   |       |       | 90    | 4498  | 16.48 | 2.3  | 101         | 4004  | 14.67 | 2.6   | 117         | 3450  | 12.64       | 2.7   | 144         | 2803  | 10.27       | 3.2   | 169         | 2391  | 8.76        | 2.8   | 190   | 2126  | 7.79        | 2.7   | 220   | 1834  | 6.72  | 3.6   | 271         | 1490  | 5.46        | 3.8   |             |       |             |      |             |       |             |      |             |       |             |       |             |       |             |       |             |       |             |       |             |       |             |       |             |       |             |       |             |       |             |       |             |       |             |       |             |       |             |       |             |       |             |       |             |       |       |       |             |       |             |       |             |       |       |       |             |       |             |       |       |       |       |       |             |       |       |      |       |       |             |       |             |       |       |       |             |       |       |       |             |       |       |       |             |       |       |       |       |       |             |       |             |       |       |       |       |       |             |       |             |       |       |       |             |       |             |       |             |       |             |       |             |       |             |      |       |       |             |       |       |       |       |       |             |       |       |       |             |       |       |      |       |       |             |       |       |       |       |       |             |       |       |       |       |      |       |       |             |       |             |       |       |      |       |       |             |       |       |       |       |       |             |       |       |      |       |       |       |      |             |       |       |      |       |      |       |       |       |      |       |       |             |       |       |      |       |      |             |       |       |      |             |       |             |       |             |      |       |      |             |       |             |      |       |      |       |       |       |       |             |       |       |      |       |       |       |       |             |       |       |      |             |       |       |      |             |       |             |      |       |       |       |       |             |       |       |      |       |       |       |      |             |       |       |       |       |      |       |       |       |       |       |       |       |       |       |      |       |      |       |       |       |       |       |       |       |       |       |      |       |      |       |      |       |      |       |      |       |      |       |      |       |      |       |      |       |      |       |      |       |      |       |      |       |      |       |      |       |      |       |      |       |      |       |      |       |      |       |      |      |      |      |      |      |      |      |      |      |      |
| 101           | 4894       | 14.67    | 2.1                    | 117         | 4217    | 12.64         | 2.2        | 144         | 3426                   | 10.27       | 2.6     | 169         | 2922  | 8.76        | 2.3   | 190         | 2599  | 7.79        | 2.2   | 220         | 2242  | 6.72        | 2.9   | 271         | 1821  | 5.46        | 3.1   | 320         | 1545  | 4.63        | 3.7   | <b>45kW</b> |       |             |       |             |       | <b>75kW</b> |       |             |       |             |       | 21          | 18874 | 69.15       | 0.90  | F 157       | 4     | 31          | 21413 |             |       | 47.07       | 0.79  |             |       | F 157       | 4     |             |       |             |       |             |       |             |       |             |       | 24          | 16655 |             |       | 61.02       | 1.02  |             |       |             |       |             |       |             |       |             |       | 28          | 14442 | 52.91       | 1.17  |             |       | 31          | 12848 | 47.07       | 1.32  | 36          | 11074 |             |       | 40.57       | 1.53  | 45          | 8999  | 32.97       | 1.88  |             |       | 53          | 7632  | 27.96       | 2.2   | 36          | 18456 |             |       | 40.57       | 0.92  | 45          | 14999 | 32.97       | 1.13  |             |       | 53          | 12719 | 27.96       | 1.33  | 58          | 11569 |             |       | 25.43       | 1.22  | 67          | 10081 | 22.16       | 1.68  |             |       | 75          | 8994  | 19.77       | 1.78  | 88          | 7665  | 16.85       | 2.2   | 106   | 6351  | 13.96       | 2.5   | 124   | 5423  | 11.92 | 2.8   | 58    | 11600 | 25.50 | 0.97  | 69    | 9803  | 21.55 | 1.2   | 78    | 8648  | 19.01 | 1.2   | 90    | 7497  | 16.48 | 1.4   | 101   | 6674  | 14.67 | 1.5   | 117   | 5750  | 12.64 | 1.6   | 144         | 4672  | 10.27 | 1.9  | 169         | 3985  | 8.76        | 1.7  | 190         | 3544  | 7.79        | 1.6   | 220         | 3057  | 6.72        | 2.2  | 271         | 2484  | 5.46        | 2.3   | 320         | 2106  | 4.63        | 2.7   | <b>45kW</b> |       |             |       |             |       | <b>75kW</b> |       |             |       |             |       | 30          | 13426 | 49.19       | 0.84  | F 127       | 4     | 58          | 11600 |             |       | 25.50       | 0.97  |             |       | F 127       | 4     |             |       |             |       |       |       |             |       |             |       |             |       |       |       | 35          | 11595 |             |       |             |       |       |       |             |       |             |       |       |       | 42.48 | 0.97  | 39          | 10255 |             |       |       |       | 37.57       | 1.10  | 47          | 8620 |       |       |             |       | 31.58       | 1.31  |       |      |             |       | 58          | 6960  |             |       |             |       | 25.50       | 1.62  |             |       |             |       | 55          | 7391  | 26.92       | 1.08  |             |       |             |       | 60          | 6758  | 24.97       | 1.18  |             |       |       |       | 69          | 5882  | 21.55 | 1.92  |       |       |       |       | 78    | 5189  | 19.01 | 2.0   |       |       | 90    | 4498  | 16.48 | 2.3  | 101         | 4004  | 14.67 | 2.6   | 117         | 3450  | 12.64       | 2.7   | 144         | 2803  | 10.27       | 3.2   | 169         | 2391  | 8.76        | 2.8   | 190   | 2126  | 7.79        | 2.7   | 220   | 1834  | 6.72  | 3.6   | 271         | 1490  | 5.46        | 3.8   |             |       |             |      |             |       |             |      |             |       |             |       |             |       |             |       |             |       |             |       |             |       |             |       |             |       |             |       |             |       |             |       |             |       |             |       |             |       |             |       |             |       |             |       |             |       |       |       |             |       |             |       |             |       |       |       |             |       |             |       |       |       |       |       |             |       |       |      |       |       |             |       |             |       |       |       |             |       |       |       |             |       |       |       |             |       |       |       |       |       |             |       |             |       |       |       |       |       |             |       |             |       |       |       |             |       |             |       |             |       |             |       |             |       |             |      |       |       |             |       |       |       |       |       |             |       |       |       |             |       |       |      |       |       |             |       |       |       |       |       |             |       |       |       |       |      |       |       |             |       |             |       |       |      |       |       |             |       |       |       |       |       |             |       |       |      |       |       |       |      |             |       |       |      |       |      |       |       |       |      |       |       |             |       |       |      |       |      |             |       |       |      |             |       |             |       |             |      |       |      |             |       |             |      |       |      |       |       |       |       |             |       |       |      |       |       |       |       |             |       |       |      |             |       |       |      |             |       |             |      |       |       |       |       |             |       |       |      |       |       |       |      |             |       |       |       |       |      |       |       |       |       |       |       |       |       |       |      |       |      |       |       |       |       |       |       |       |       |       |      |       |      |       |      |       |      |       |      |       |      |       |      |       |      |       |      |       |      |       |      |       |      |       |      |       |      |       |      |       |      |       |      |       |      |       |      |       |      |       |      |      |      |      |      |      |      |      |      |      |      |
| 117           | 4217       | 12.64    | 2.2                    | 144         | 3426    | 10.27         | 2.6        | 169         | 2922                   | 8.76        | 2.3     | 190         | 2599  | 7.79        | 2.2   | 220         | 2242  | 6.72        | 2.9   | 271         | 1821  | 5.46        | 3.1   | 320         | 1545  | 4.63        | 3.7   | <b>45kW</b> |       |             |       |             |       | <b>75kW</b> |       |             |       |             |       | 21          | 18874 | 69.15       | 0.90  | F 157       | 4     | 31          | 21413 |             |       | 47.07       | 0.79  |             |       | F 157       | 4     |             |       |             |       |             |       |             |       |             |       |             |       |             |       | 24          | 16655 |             |       | 61.02       | 1.02  |             |       |             |       |             |       |             |       | 28          | 14442 | 52.91       | 1.17  | 31          | 12848 |             |       | 47.07       | 1.32  | 36          | 11074 | 40.57       | 1.53  |             |       | 45          | 8999  | 32.97       | 1.88  | 53          | 7632  |             |       | 27.96       | 2.2   | 36          | 18456 | 40.57       | 0.92  |             |       | 45          | 14999 | 32.97       | 1.13  | 53          | 12719 |             |       | 27.96       | 1.33  | 58          | 11569 | 25.43       | 1.22  |             |       | 67          | 10081 | 22.16       | 1.68  | 75          | 8994  | 19.77       | 1.78  | 88          | 7665  | 16.85       | 2.2   | 106         | 6351  | 13.96       | 2.5   | 124   | 5423  | 11.92       | 2.8   | 58    | 11600 | 25.50 | 0.97  | 69    | 9803  | 21.55 | 1.2   | 78    | 8648  | 19.01 | 1.2   | 90    | 7497  | 16.48 | 1.4   | 101   | 6674  | 14.67 | 1.5   | 117   | 5750  | 12.64 | 1.6   | 144   | 4672  | 10.27 | 1.9   | 169         | 3985  | 8.76  | 1.7  | 190         | 3544  | 7.79        | 1.6  | 220         | 3057  | 6.72        | 2.2   | 271         | 2484  | 5.46        | 2.3  | 320         | 2106  | 4.63        | 2.7   | <b>45kW</b> |       |             |       |             |       | <b>75kW</b> |       |             |       |             |       | 30          | 13426 | 49.19       | 0.84  | F 127       | 4     | 58          | 11600 |             |       | 25.50       | 0.97  |             |       | F 127       | 4     |             |       |             |       |             |       |             |       |       |       |             |       |             |       |             |       |       |       | 35          | 11595 |             |       |             |       |       |       |             |       |             |       |       |       | 42.48 | 0.97  | 39          | 10255 |             |       |       |       | 37.57       | 1.10  | 47          | 8620 |       |       |             |       | 31.58       | 1.31  |       |      |             |       | 58          | 6960  |             |       |             |       | 25.50       | 1.62  |             |       |             |       | 55          | 7391  | 26.92       | 1.08  |             |       |             |       | 60          | 6758  | 24.97       | 1.18  |             |       |       |       | 69          | 5882  | 21.55 | 1.92  |       |       |       |       | 78    | 5189  | 19.01 | 2.0   |       |       | 90    | 4498  | 16.48 | 2.3  | 101         | 4004  | 14.67 | 2.6   | 117         | 3450  | 12.64       | 2.7   | 144         | 2803  | 10.27       | 3.2   | 169         | 2391  | 8.76        | 2.8   | 190   | 2126  | 7.79        | 2.7   | 220   | 1834  | 6.72  | 3.6   | 271         | 1490  | 5.46        | 3.8   |             |       |             |      |             |       |             |      |             |       |             |       |             |       |             |       |             |       |             |       |             |       |             |       |             |       |             |       |             |       |             |       |             |       |             |       |             |       |             |       |             |       |             |       |             |       |       |       |             |       |             |       |             |       |       |       |             |       |             |       |       |       |       |       |             |       |       |      |       |       |             |       |             |       |       |       |             |       |       |       |             |       |       |       |             |       |       |       |       |       |             |       |             |       |       |       |       |       |             |       |             |       |       |       |             |       |             |       |             |       |             |       |             |       |             |      |       |       |             |       |       |       |       |       |             |       |       |       |             |       |       |      |       |       |             |       |       |       |       |       |             |       |       |       |       |      |       |       |             |       |             |       |       |      |       |       |             |       |       |       |       |       |             |       |       |      |       |       |       |      |             |       |       |      |       |      |       |       |       |      |       |       |             |       |       |      |       |      |             |       |       |      |             |       |             |       |             |      |       |      |             |       |             |      |       |      |       |       |       |       |             |       |       |      |       |       |       |       |             |       |       |      |             |       |       |      |             |       |             |      |       |       |       |       |             |       |       |      |       |       |       |      |             |       |       |       |       |      |       |       |       |       |       |       |       |       |       |      |       |      |       |       |       |       |       |       |       |       |       |      |       |      |       |      |       |      |       |      |       |      |       |      |       |      |       |      |       |      |       |      |       |      |       |      |       |      |       |      |       |      |       |      |       |      |       |      |       |      |       |      |      |      |      |      |      |      |      |      |      |      |
| 144           | 3426       | 10.27    | 2.6                    | 169         | 2922    | 8.76          | 2.3        | 190         | 2599                   | 7.79        | 2.2     | 220         | 2242  | 6.72        | 2.9   | 271         | 1821  | 5.46        | 3.1   | 320         | 1545  | 4.63        | 3.7   | <b>45kW</b> |       |             |       |             |       | <b>75kW</b> |       |             |       |             |       | 21          | 18874 | 69.15       | 0.90  | F 157       | 4     | 31          | 21413 |             |       | 47.07       | 0.79  |             |       | F 157       | 4     |             |       |             |       |             |       |             |       |             |       |             |       |             |       |             |       |             |       | 24          | 16655 |             |       | 61.02       | 1.02  | 28          | 14442 |             |       |             |       |             |       | 52.91       | 1.17  | 31          | 12848 | 47.07       | 1.32  |             |       | 36          | 11074 | 40.57       | 1.53  | 45          | 8999  |             |       | 32.97       | 1.88  | 53          | 7632  | 27.96       | 2.2   |             |       | 36          | 18456 | 40.57       | 0.92  | 45          | 14999 |             |       | 32.97       | 1.13  | 53          | 12719 | 27.96       | 1.33  |             |       | 58          | 11569 | 25.43       | 1.22  | 67          | 10081 | 22.16       | 1.68  | 75          | 8994  | 19.77       | 1.78  | 88          | 7665  | 16.85       | 2.2   | 106         | 6351  | 13.96       | 2.5   | 124         | 5423  | 11.92       | 2.8   | 58    | 11600 | 25.50       | 0.97  | 69    | 9803  | 21.55 | 1.2   | 78    | 8648  | 19.01 | 1.2   | 90    | 7497  | 16.48 | 1.4   | 101   | 6674  | 14.67 | 1.5   | 117   | 5750  | 12.64 | 1.6   | 144   | 4672  | 10.27 | 1.9   | 169   | 3985  | 8.76  | 1.7   | 190         | 3544  | 7.79  | 1.6  | 220         | 3057  | 6.72        | 2.2  | 271         | 2484  | 5.46        | 2.3   | 320         | 2106  | 4.63        | 2.7  | <b>45kW</b> |       |             |       |             |       | <b>75kW</b> |       |             |       |             |       | 30          | 13426 | 49.19       | 0.84  | F 127       | 4     | 58          | 11600 |             |       | 25.50       | 0.97  |             |       | F 127       | 4     |             |       |             |       |             |       |             |       |             |       |             |       |       |       |             |       |             |       |             |       |       |       | 35          | 11595 |             |       |             |       |       |       |             |       |             |       |       |       | 42.48 | 0.97  | 39          | 10255 |             |       |       |       | 37.57       | 1.10  | 47          | 8620 |       |       |             |       | 31.58       | 1.31  |       |      |             |       | 58          | 6960  |             |       |             |       | 25.50       | 1.62  |             |       |             |       | 55          | 7391  | 26.92       | 1.08  |             |       |             |       | 60          | 6758  | 24.97       | 1.18  |             |       |       |       | 69          | 5882  | 21.55 | 1.92  |       |       | 78    | 5189  | 19.01 | 2.0   | 90    | 4498  | 16.48 | 2.3   | 101   | 4004  | 14.67 | 2.6  | 117         | 3450  | 12.64 | 2.7   | 144         | 2803  | 10.27       | 3.2   | 169         | 2391  | 8.76        | 2.8   | 190         | 2126  | 7.79        | 2.7   | 220   | 1834  | 6.72        | 3.6   | 271   | 1490  | 5.46  | 3.8   |             |       |             |       |             |       |             |      |             |       |             |      |             |       |             |       |             |       |             |       |             |       |             |       |             |       |             |       |             |       |             |       |             |       |             |       |             |       |             |       |             |       |             |       |             |       |             |       |             |       |       |       |             |       |             |       |             |       |       |       |             |       |             |       |       |       |       |       |             |       |       |      |       |       |             |       |             |       |       |       |             |       |       |       |             |       |       |       |             |       |       |       |       |       |             |       |             |       |       |       |       |       |             |       |             |       |       |       |             |       |             |       |             |       |             |       |             |       |             |      |       |       |             |       |       |       |       |       |             |       |       |       |             |       |       |      |       |       |             |       |       |       |       |       |             |       |       |       |       |      |       |       |             |       |             |       |       |      |       |       |             |       |       |       |       |       |             |       |       |      |       |       |       |      |             |       |       |      |       |      |       |       |       |      |       |       |             |       |       |      |       |      |             |       |       |      |             |       |             |       |             |      |       |      |             |       |             |      |       |      |       |       |       |       |             |       |       |      |       |       |       |       |             |       |       |      |             |       |       |      |             |       |             |      |       |       |       |       |             |       |       |      |       |       |       |      |             |       |       |       |       |      |       |       |       |       |       |       |       |       |       |      |       |      |       |       |       |       |       |       |       |       |       |      |       |      |       |      |       |      |       |      |       |      |       |      |       |      |       |      |       |      |       |      |       |      |       |      |       |      |       |      |       |      |       |      |       |      |       |      |       |      |       |      |      |      |      |      |      |      |      |      |      |      |
| 169           | 2922       | 8.76     | 2.3                    | 190         | 2599    | 7.79          | 2.2        | 220         | 2242                   | 6.72        | 2.9     | 271         | 1821  | 5.46        | 3.1   | 320         | 1545  | 4.63        | 3.7   | <b>45kW</b> |       |             |       |             |       | <b>75kW</b> |       |             |       |             |       | 21          | 18874 | 69.15       | 0.90  | F 157       | 4     | 31          | 21413 |             |       | 47.07       | 0.79  |             |       | F 157       | 4     |             |       |             |       |             |       |             |       |             |       |             |       |             |       |             |       |             |       |             |       |             |       | 24          | 16655 | 61.02       | 1.02  | 28          | 14442 | 52.91       | 1.17  |             |       |             |       |             |       | 31          | 12848 | 47.07       | 1.32  | 36          | 11074 |             |       | 40.57       | 1.53  | 45          | 8999  | 32.97       | 1.88  |             |       | 53          | 7632  | 27.96       | 2.2   | 36          | 18456 |             |       | 40.57       | 0.92  | 45          | 14999 | 32.97       | 1.13  |             |       | 53          | 12719 | 27.96       | 1.33  | 58          | 11569 | 25.43       | 1.22  | 67          | 10081 | 22.16       | 1.68  | 75          | 8994  | 19.77       | 1.78  | 88          | 7665  | 16.85       | 2.2   | 106         | 6351  | 13.96       | 2.5   | 124         | 5423  | 11.92       | 2.8   | 58          | 11600 | 25.50       | 0.97  | 69    | 9803  | 21.55       | 1.2   | 78    | 8648  | 19.01 | 1.2   | 90    | 7497  | 16.48 | 1.4   | 101   | 6674  | 14.67 | 1.5   | 117   | 5750  | 12.64 | 1.6   | 144   | 4672  | 10.27 | 1.9   | 169   | 3985  | 8.76  | 1.7   | 190   | 3544  | 7.79  | 1.6   | 220         | 3057  | 6.72  | 2.2  | 271         | 2484  | 5.46        | 2.3  | 320         | 2106  | 4.63        | 2.7   | <b>45kW</b> |       |             |      |             |       | <b>75kW</b> |       |             |       |             |       | 30          | 13426 | 49.19       | 0.84  | F 127       | 4     | 58          | 11600 |             |       | 25.50       | 0.97  |             |       | F 127       | 4     |             |       |             |       |             |       |             |       |             |       |             |       |             |       |             |       |       |       |             |       |             |       |             |       |       |       | 35          | 11595 |             |       |             |       |       |       |             |       |             |       |       |       | 42.48 | 0.97  | 39          | 10255 |             |       |       |       | 37.57       | 1.10  | 47          | 8620 |       |       |             |       | 31.58       | 1.31  |       |      |             |       | 58          | 6960  |             |       |             |       | 25.50       | 1.62  |             |       |             |       | 55          | 7391  | 26.92       | 1.08  |             |       |             |       | 60          | 6758  | 24.97       | 1.18  |             |       | 69    | 5882  | 21.55       | 1.92  | 78    | 5189  | 19.01 | 2.0   | 90    | 4498  | 16.48 | 2.3   | 101   | 4004  | 14.67 | 2.6   | 117   | 3450  | 12.64 | 2.7  | 144         | 2803  | 10.27 | 3.2   | 169         | 2391  | 8.76        | 2.8   | 190         | 2126  | 7.79        | 2.7   | 220         | 1834  | 6.72        | 3.6   | 271   | 1490  | 5.46        | 3.8   |       |       |       |       |             |       |             |       |             |       |             |      |             |       |             |      |             |       |             |       |             |       |             |       |             |       |             |       |             |       |             |       |             |       |             |       |             |       |             |       |             |       |             |       |             |       |             |       |             |       |             |       |             |       |       |       |             |       |             |       |             |       |       |       |             |       |             |       |       |       |       |       |             |       |       |      |       |       |             |       |             |       |       |       |             |       |       |       |             |       |       |       |             |       |       |       |       |       |             |       |             |       |       |       |       |       |             |       |             |       |       |       |             |       |             |       |             |       |             |       |             |       |             |      |       |       |             |       |       |       |       |       |             |       |       |       |             |       |       |      |       |       |             |       |       |       |       |       |             |       |       |       |       |      |       |       |             |       |             |       |       |      |       |       |             |       |       |       |       |       |             |       |       |      |       |       |       |      |             |       |       |      |       |      |       |       |       |      |       |       |             |       |       |      |       |      |             |       |       |      |             |       |             |       |             |      |       |      |             |       |             |      |       |      |       |       |       |       |             |       |       |      |       |       |       |       |             |       |       |      |             |       |       |      |             |       |             |      |       |       |       |       |             |       |       |      |       |       |       |      |             |       |       |       |       |      |       |       |       |       |       |       |       |       |       |      |       |      |       |       |       |       |       |       |       |       |       |      |       |      |       |      |       |      |       |      |       |      |       |      |       |      |       |      |       |      |       |      |       |      |       |      |       |      |       |      |       |      |       |      |       |      |       |      |       |      |       |      |      |      |      |      |      |      |      |      |      |      |
| 190           | 2599       | 7.79     | 2.2                    | 220         | 2242    | 6.72          | 2.9        | 271         | 1821                   | 5.46        | 3.1     | 320         | 1545  | 4.63        | 3.7   | <b>45kW</b> |       |             |       |             |       | <b>75kW</b> |       |             |       |             |       | 21          | 18874 | 69.15       | 0.90  | F 157       | 4     | 31          | 21413 |             |       | 47.07       | 0.79  |             |       | F 157       | 4     |             |       |             |       |             |       |             |       |             |       |             |       |             |       |             |       |             |       |             |       |             |       |             |       | 24          | 16655 | 61.02       | 1.02  | 28          | 14442 | 52.91       | 1.17  | 31          | 12848 |             |       |             |       |             |       | 47.07       | 1.32  | 36          | 11074 | 40.57       | 1.53  |             |       | 45          | 8999  | 32.97       | 1.88  | 53          | 7632  |             |       | 27.96       | 2.2   | 36          | 18456 | 40.57       | 0.92  |             |       | 45          | 14999 | 32.97       | 1.13  | 53          | 12719 | 27.96       | 1.33  | 58          | 11569 | 25.43       | 1.22  | 67          | 10081 | 22.16       | 1.68  | 75          | 8994  | 19.77       | 1.78  | 88          | 7665  | 16.85       | 2.2   | 106         | 6351  | 13.96       | 2.5   | 124         | 5423  | 11.92       | 2.8   | 58          | 11600 | 25.50       | 0.97  | 69          | 9803  | 21.55       | 1.2   | 78    | 8648  | 19.01       | 1.2   | 90    | 7497  | 16.48 | 1.4   | 101   | 6674  | 14.67 | 1.5   | 117   | 5750  | 12.64 | 1.6   | 144   | 4672  | 10.27 | 1.9   | 169   | 3985  | 8.76  | 1.7   | 190   | 3544  | 7.79  | 1.6   | 220   | 3057  | 6.72  | 2.2   | 271         | 2484  | 5.46  | 2.3  | 320         | 2106  | 4.63        | 2.7  | <b>45kW</b> |       |             |       |             |       | <b>75kW</b> |      |             |       |             |       | 30          | 13426 | 49.19       | 0.84  | F 127       | 4     | 58          | 11600 |             |       | 25.50       | 0.97  |             |       | F 127       | 4     |             |       |             |       |             |       |             |       |             |       |             |       |             |       |             |       |             |       |             |       |       |       |             |       |             |       |             |       |       |       | 35          | 11595 |             |       |             |       |       |       |             |       |             |       |       |       | 42.48 | 0.97  | 39          | 10255 |             |       |       |       | 37.57       | 1.10  | 47          | 8620 |       |       |             |       | 31.58       | 1.31  |       |      |             |       | 58          | 6960  |             |       |             |       | 25.50       | 1.62  |             |       |             |       | 55          | 7391  | 26.92       | 1.08  |             |       | 60          | 6758  | 24.97       | 1.18  | 69          | 5882  | 21.55       | 1.92  | 78    | 5189  | 19.01       | 2.0   | 90    | 4498  | 16.48 | 2.3   | 101   | 4004  | 14.67 | 2.6   | 117   | 3450  | 12.64 | 2.7   | 144   | 2803  | 10.27 | 3.2  | 169         | 2391  | 8.76  | 2.8   | 190         | 2126  | 7.79        | 2.7   | 220         | 1834  | 6.72        | 3.6   | 271         | 1490  | 5.46        | 3.8   |       |       |             |       |       |       |       |       |             |       |             |       |             |       |             |      |             |       |             |      |             |       |             |       |             |       |             |       |             |       |             |       |             |       |             |       |             |       |             |       |             |       |             |       |             |       |             |       |             |       |             |       |             |       |             |       |             |       |       |       |             |       |             |       |             |       |       |       |             |       |             |       |       |       |       |       |             |       |       |      |       |       |             |       |             |       |       |       |             |       |       |       |             |       |       |       |             |       |       |       |       |       |             |       |             |       |       |       |       |       |             |       |             |       |       |       |             |       |             |       |             |       |             |       |             |       |             |      |       |       |             |       |       |       |       |       |             |       |       |       |             |       |       |      |       |       |             |       |       |       |       |       |             |       |       |       |       |      |       |       |             |       |             |       |       |      |       |       |             |       |       |       |       |       |             |       |       |      |       |       |       |      |             |       |       |      |       |      |       |       |       |      |       |       |             |       |       |      |       |      |             |       |       |      |             |       |             |       |             |      |       |      |             |       |             |      |       |      |       |       |       |       |             |       |       |      |       |       |       |       |             |       |       |      |             |       |       |      |             |       |             |      |       |       |       |       |             |       |       |      |       |       |       |      |             |       |       |       |       |      |       |       |       |       |       |       |       |       |       |      |       |      |       |       |       |       |       |       |       |       |       |      |       |      |       |      |       |      |       |      |       |      |       |      |       |      |       |      |       |      |       |      |       |      |       |      |       |      |       |      |       |      |       |      |       |      |       |      |       |      |       |      |      |      |      |      |      |      |      |      |      |      |
| 220           | 2242       | 6.72     | 2.9                    | 271         | 1821    | 5.46          | 3.1        | 320         | 1545                   | 4.63        | 3.7     | <b>45kW</b> |       |             |       |             |       | <b>75kW</b> |       |             |       |             |       | 21          | 18874 | 69.15       | 0.90  | F 157       | 4     | 31          | 21413 |             |       | 47.07       | 0.79  |             |       | F 157       | 4     |             |       |             |       |             |       |             |       |             |       |             |       |             |       |             |       |             |       |             |       | 24          | 16655 |             |       |             |       |             |       | 61.02       | 1.02  | 28          | 14442 | 52.91       | 1.17  | 31          | 12848 | 47.07       | 1.32  |             |       |             |       |             |       | 36          | 11074 | 40.57       | 1.53  | 45          | 8999  |             |       | 32.97       | 1.88  | 53          | 7632  | 27.96       | 2.2   |             |       | 36          | 18456 | 40.57       | 0.92  | 45          | 14999 | 32.97       | 1.13  | 53          | 12719 | 27.96       | 1.33  | 58          | 11569 | 25.43       | 1.22  | 67          | 10081 | 22.16       | 1.68  | 75          | 8994  | 19.77       | 1.78  | 88          | 7665  | 16.85       | 2.2   | 106         | 6351  | 13.96       | 2.5   | 124         | 5423  | 11.92       | 2.8   | 58          | 11600 | 25.50       | 0.97  | 69          | 9803  | 21.55       | 1.2   | 78          | 8648  | 19.01       | 1.2   | 90    | 7497  | 16.48       | 1.4   | 101   | 6674  | 14.67 | 1.5   | 117   | 5750  | 12.64 | 1.6   | 144   | 4672  | 10.27 | 1.9   | 169   | 3985  | 8.76  | 1.7   | 190   | 3544  | 7.79  | 1.6   | 220   | 3057  | 6.72  | 2.2   | 271   | 2484  | 5.46  | 2.3   | 320         | 2106  | 4.63  | 2.7  | <b>45kW</b> |       |             |      |             |       | <b>75kW</b> |       |             |       |             |      | 30          | 13426 | 49.19       | 0.84  | F 127       | 4     | 58          | 11600 |             |       | 25.50       | 0.97  |             |       | F 127       | 4     |             |       |             |       |             |       |             |       |             |       |             |       |             |       |             |       |             |       |             |       |             |       |             |       |       |       |             |       |             |       |             |       |       |       | 35          | 11595 |             |       |             |       |       |       |             |       |             |       |       |       | 42.48 | 0.97  | 39          | 10255 |             |       |       |       | 37.57       | 1.10  | 47          | 8620 |       |       |             |       | 31.58       | 1.31  |       |      |             |       | 58          | 6960  |             |       |             |       | 25.50       | 1.62  |             |       | 55          | 7391  | 26.92       | 1.08  | 60          | 6758  | 24.97       | 1.18  | 69          | 5882  | 21.55       | 1.92  | 78          | 5189  | 19.01       | 2.0   | 90    | 4498  | 16.48       | 2.3   | 101   | 4004  | 14.67 | 2.6   | 117   | 3450  | 12.64 | 2.7   | 144   | 2803  | 10.27 | 3.2   | 169   | 2391  | 8.76  | 2.8  | 190         | 2126  | 7.79  | 2.7   | 220         | 1834  | 6.72        | 3.6   | 271         | 1490  | 5.46        | 3.8   |             |       |             |       |       |       |             |       |       |       |       |       |             |       |             |       |             |       |             |      |             |       |             |      |             |       |             |       |             |       |             |       |             |       |             |       |             |       |             |       |             |       |             |       |             |       |             |       |             |       |             |       |             |       |             |       |             |       |             |       |             |       |       |       |             |       |             |       |             |       |       |       |             |       |             |       |       |       |       |       |             |       |       |      |       |       |             |       |             |       |       |       |             |       |       |       |             |       |       |       |             |       |       |       |       |       |             |       |             |       |       |       |       |       |             |       |             |       |       |       |             |       |             |       |             |       |             |       |             |       |             |      |       |       |             |       |       |       |       |       |             |       |       |       |             |       |       |      |       |       |             |       |       |       |       |       |             |       |       |       |       |      |       |       |             |       |             |       |       |      |       |       |             |       |       |       |       |       |             |       |       |      |       |       |       |      |             |       |       |      |       |      |       |       |       |      |       |       |             |       |       |      |       |      |             |       |       |      |             |       |             |       |             |      |       |      |             |       |             |      |       |      |       |       |       |       |             |       |       |      |       |       |       |       |             |       |       |      |             |       |       |      |             |       |             |      |       |       |       |       |             |       |       |      |       |       |       |      |             |       |       |       |       |      |       |       |       |       |       |       |       |       |       |      |       |      |       |       |       |       |       |       |       |       |       |      |       |      |       |      |       |      |       |      |       |      |       |      |       |      |       |      |       |      |       |      |       |      |       |      |       |      |       |      |       |      |       |      |       |      |       |      |       |      |       |      |      |      |      |      |      |      |      |      |      |      |
| 271           | 1821       | 5.46     | 3.1                    | 320         | 1545    | 4.63          | 3.7        | <b>45kW</b> |                        |             |         |             |       | <b>75kW</b> |       |             |       |             |       | 21          | 18874 | 69.15       | 0.90  | F 157       | 4     | 31          | 21413 |             |       | 47.07       | 0.79  |             |       | F 157       | 4     |             |       |             |       |             |       |             |       |             |       |             |       |             |       |             |       |             |       |             |       | 24          | 16655 |             |       | 61.02       | 1.02  |             |       |             |       |             |       | 28          | 14442 | 52.91       | 1.17  | 31          | 12848 | 47.07       | 1.32  | 36          | 11074 |             |       |             |       |             |       | 40.57       | 1.53  | 45          | 8999  | 32.97       | 1.88  |             |       | 53          | 7632  | 27.96       | 2.2   | 36          | 18456 | 40.57       | 0.92  | 45          | 14999 | 32.97       | 1.13  | 53          | 12719 | 27.96       | 1.33  | 58          | 11569 | 25.43       | 1.22  | 67          | 10081 | 22.16       | 1.68  | 75          | 8994  | 19.77       | 1.78  | 88          | 7665  | 16.85       | 2.2   | 106         | 6351  | 13.96       | 2.5   | 124         | 5423  | 11.92       | 2.8   | 58          | 11600 | 25.50       | 0.97  | 69          | 9803  | 21.55       | 1.2   | 78          | 8648  | 19.01       | 1.2   | 90          | 7497  | 16.48       | 1.4   | 101   | 6674  | 14.67       | 1.5   | 117   | 5750  | 12.64 | 1.6   | 144   | 4672  | 10.27 | 1.9   | 169   | 3985  | 8.76  | 1.7   | 190   | 3544  | 7.79  | 1.6   | 220   | 3057  | 6.72  | 2.2   | 271   | 2484  | 5.46  | 2.3   | 320   | 2106  | 4.63  | 2.7   | <b>45kW</b> |       |       |      |             |       | <b>75kW</b> |      |             |       |             |       | 30          | 13426 | 49.19       | 0.84 | F 127       | 4     | 58          | 11600 |             |       | 25.50       | 0.97  |             |       | F 127       | 4     |             |       |             |       |             |       |             |       |             |       |             |       |             |       |             |       |             |       |             |       |             |       |             |       |             |       |             |       |       |       |             |       |             |       |             |       |       |       | 35          | 11595 |             |       |             |       |       |       |             |       |             |       |       |       | 42.48 | 0.97  | 39          | 10255 |             |       |       |       | 37.57       | 1.10  | 47          | 8620 |       |       |             |       | 31.58       | 1.31  |       |      |             |       | 58          | 6960  | 25.50       | 1.62  |             |       | 55          | 7391  | 26.92       | 1.08  | 60          | 6758  | 24.97       | 1.18  | 69          | 5882  | 21.55       | 1.92  | 78          | 5189  | 19.01       | 2.0   | 90          | 4498  | 16.48       | 2.3   | 101   | 4004  | 14.67       | 2.6   | 117   | 3450  | 12.64 | 2.7   | 144   | 2803  | 10.27 | 3.2   | 169   | 2391  | 8.76  | 2.8   | 190   | 2126  | 7.79  | 2.7  | 220         | 1834  | 6.72  | 3.6   | 271         | 1490  | 5.46        | 3.8   |             |       |             |       |             |       |             |       |       |       |             |       |       |       |       |       |             |       |             |       |             |       |             |      |             |       |             |      |             |       |             |       |             |       |             |       |             |       |             |       |             |       |             |       |             |       |             |       |             |       |             |       |             |       |             |       |             |       |             |       |             |       |             |       |             |       |       |       |             |       |             |       |             |       |       |       |             |       |             |       |       |       |       |       |             |       |       |      |       |       |             |       |             |       |       |       |             |       |       |       |             |       |       |       |             |       |       |       |       |       |             |       |             |       |       |       |       |       |             |       |             |       |       |       |             |       |             |       |             |       |             |       |             |       |             |      |       |       |             |       |       |       |       |       |             |       |       |       |             |       |       |      |       |       |             |       |       |       |       |       |             |       |       |       |       |      |       |       |             |       |             |       |       |      |       |       |             |       |       |       |       |       |             |       |       |      |       |       |       |      |             |       |       |      |       |      |       |       |       |      |       |       |             |       |       |      |       |      |             |       |       |      |             |       |             |       |             |      |       |      |             |       |             |      |       |      |       |       |       |       |             |       |       |      |       |       |       |       |             |       |       |      |             |       |       |      |             |       |             |      |       |       |       |       |             |       |       |      |       |       |       |      |             |       |       |       |       |      |       |       |       |       |       |       |       |       |       |      |       |      |       |       |       |       |       |       |       |       |       |      |       |      |       |      |       |      |       |      |       |      |       |      |       |      |       |      |       |      |       |      |       |      |       |      |       |      |       |      |       |      |       |      |       |      |       |      |       |      |       |      |      |      |      |      |      |      |      |      |      |      |
| 320           | 1545       | 4.63     | 3.7                    |             |         |               |            |             |                        |             |         |             |       |             |       |             |       |             |       |             |       |             |       |             |       |             |       |             |       |             |       |             |       |             |       |             |       |             |       |             |       |             |       |             |       |             |       |             |       |             |       |             |       |             |       |             |       |             |       |             |       |             |       |             |       |             |       |             |       |             |       |             |       |             |       |             |       |             |       |             |       |             |       |             |       |             |       |             |       |             |       |             |       |             |       |             |       |             |       |             |       |             |       |             |       |             |       |             |       |             |       |             |       |             |       |             |       |             |       |             |       |             |       |             |       |             |       |             |       |             |       |             |       |             |       |             |       |             |       |             |       |             |       |             |       |             |       |       |       |             |       |       |       |       |       |       |       |       |       |       |       |       |       |       |       |       |       |       |       |       |       |       |       |       |       |       |       |       |       |             |       |       |      |             |       |             |      |             |       |             |       |             |       |             |      |             |       |             |       |             |       |             |       |             |       |             |       |             |       |             |       |             |       |             |       |             |       |             |       |             |       |             |       |             |       |             |       |             |       |             |       |             |       |             |       |       |       |             |       |             |       |             |       |       |       |             |       |             |       |             |       |       |       |             |       |             |       |       |       |       |       |             |       |             |       |       |       |             |       |             |      |       |       |             |       |             |       |       |      |             |       |             |       |             |       |             |       |             |       |             |       |             |       |             |       |             |       |             |       |             |       |             |       |             |       |             |       |       |       |             |       |       |       |       |       |       |       |       |       |       |       |       |       |       |       |       |      |             |       |       |       |             |       |             |       |             |       |             |       |             |       |             |       |       |       |             |       |       |       |       |       |             |       |             |       |             |       |             |      |             |       |             |      |             |       |             |       |             |       |             |       |             |       |             |       |             |       |             |       |             |       |             |       |             |       |             |       |             |       |             |       |             |       |             |       |             |       |             |       |             |       |       |       |             |       |             |       |             |       |       |       |             |       |             |       |       |       |       |       |             |       |       |      |       |       |             |       |             |       |       |       |             |       |       |       |             |       |       |       |             |       |       |       |       |       |             |       |             |       |       |       |       |       |             |       |             |       |       |       |             |       |             |       |             |       |             |       |             |       |             |      |       |       |             |       |       |       |       |       |             |       |       |       |             |       |       |      |       |       |             |       |       |       |       |       |             |       |       |       |       |      |       |       |             |       |             |       |       |      |       |       |             |       |       |       |       |       |             |       |       |      |       |       |       |      |             |       |       |      |       |      |       |       |       |      |       |       |             |       |       |      |       |      |             |       |       |      |             |       |             |       |             |      |       |      |             |       |             |      |       |      |       |       |       |       |             |       |       |      |       |       |       |       |             |       |       |      |             |       |       |      |             |       |             |      |       |       |       |       |             |       |       |      |       |       |       |      |             |       |       |       |       |      |       |       |       |       |       |       |       |       |       |      |       |      |       |       |       |       |       |       |       |       |       |      |       |      |       |      |       |      |       |      |       |      |       |      |       |      |       |      |       |      |       |      |       |      |       |      |       |      |       |      |       |      |       |      |       |      |       |      |       |      |       |      |      |      |      |      |      |      |      |      |      |      |
| <b>45kW</b>   |            |          |                        |             |         | <b>75kW</b>   |            |             |                        |             |         |             |       |             |       |             |       |             |       |             |       |             |       |             |       |             |       |             |       |             |       |             |       |             |       |             |       |             |       |             |       |             |       |             |       |             |       |             |       |             |       |             |       |             |       |             |       |             |       |             |       |             |       |             |       |             |       |             |       |             |       |             |       |             |       |             |       |             |       |             |       |             |       |             |       |             |       |             |       |             |       |             |       |             |       |             |       |             |       |             |       |             |       |             |       |             |       |             |       |             |       |             |       |             |       |             |       |             |       |             |       |             |       |             |       |             |       |             |       |             |       |             |       |             |       |             |       |             |       |             |       |             |       |             |       |             |       |       |       |             |       |       |       |       |       |       |       |       |       |       |       |       |       |       |       |       |       |       |       |       |       |       |       |       |       |       |       |       |       |             |       |       |      |             |       |             |      |             |       |             |       |             |       |             |      |             |       |             |       |             |       |             |       |             |       |             |       |             |       |             |       |             |       |             |       |             |       |             |       |             |       |             |       |             |       |             |       |             |       |             |       |             |       |             |       |       |       |             |       |             |       |             |       |       |       |             |       |             |       |             |       |       |       |             |       |             |       |       |       |       |       |             |       |             |       |       |       |             |       |             |      |       |       |             |       |             |       |       |      |             |       |             |       |             |       |             |       |             |       |             |       |             |       |             |       |             |       |             |       |             |       |             |       |             |       |             |       |       |       |             |       |       |       |       |       |       |       |       |       |       |       |       |       |       |       |       |      |             |       |       |       |             |       |             |       |             |       |             |       |             |       |             |       |       |       |             |       |       |       |       |       |             |       |             |       |             |       |             |      |             |       |             |      |             |       |             |       |             |       |             |       |             |       |             |       |             |       |             |       |             |       |             |       |             |       |             |       |             |       |             |       |             |       |             |       |             |       |             |       |             |       |       |       |             |       |             |       |             |       |       |       |             |       |             |       |       |       |       |       |             |       |       |      |       |       |             |       |             |       |       |       |             |       |       |       |             |       |       |       |             |       |       |       |       |       |             |       |             |       |       |       |       |       |             |       |             |       |       |       |             |       |             |       |             |       |             |       |             |       |             |      |       |       |             |       |       |       |       |       |             |       |       |       |             |       |       |      |       |       |             |       |       |       |       |       |             |       |       |       |       |      |       |       |             |       |             |       |       |      |       |       |             |       |       |       |       |       |             |       |       |      |       |       |       |      |             |       |       |      |       |      |       |       |       |      |       |       |             |       |       |      |       |      |             |       |       |      |             |       |             |       |             |      |       |      |             |       |             |      |       |      |       |       |       |       |             |       |       |      |       |       |       |       |             |       |       |      |             |       |       |      |             |       |             |      |       |       |       |       |             |       |       |      |       |       |       |      |             |       |       |       |       |      |       |       |       |       |       |       |       |       |       |      |       |      |       |       |       |       |       |       |       |       |       |      |       |      |       |      |       |      |       |      |       |      |       |      |       |      |       |      |       |      |       |      |       |      |       |      |       |      |       |      |       |      |       |      |       |      |       |      |       |      |       |      |      |      |      |      |      |      |      |      |      |      |
| 21            | 18874      | 69.15    | 0.90                   | F 157       | 4       | 31            | 21413      | 47.07       | 0.79                   | F 157       | 4       |             |       |             |       |             |       |             |       |             |       |             |       |             |       |             |       |             |       |             |       |             |       |             |       |             |       |             |       |             |       |             |       |             |       |             |       |             |       |             |       |             |       |             |       |             |       |             |       |             |       |             |       |             |       |             |       |             |       |             |       |             |       |             |       |             |       |             |       |             |       |             |       |             |       |             |       |             |       |             |       |             |       |             |       |             |       |             |       |             |       |             |       |             |       |             |       |             |       |             |       |             |       |             |       |             |       |             |       |             |       |             |       |             |       |             |       |             |       |             |       |             |       |             |       |             |       |             |       |             |       |             |       |             |       |             |       |       |       |             |       |       |       |       |       |       |       |       |       |       |       |       |       |       |       |       |       |       |       |       |       |       |       |       |       |       |       |       |       |             |       |       |      |             |       |             |      |             |       |             |       |             |       |             |      |             |       |             |       |             |       |             |       |             |       |             |       |             |       |             |       |             |       |             |       |             |       |             |       |             |       |             |       |             |       |             |       |             |       |             |       |             |       |             |       |       |       |             |       |             |       |             |       |       |       |             |       |             |       |             |       |       |       |             |       |             |       |       |       |       |       |             |       |             |       |       |       |             |       |             |      |       |       |             |       |             |       |       |      |             |       |             |       |             |       |             |       |             |       |             |       |             |       |             |       |             |       |             |       |             |       |             |       |             |       |             |       |       |       |             |       |       |       |       |       |       |       |       |       |       |       |       |       |       |       |       |      |             |       |       |       |             |       |             |       |             |       |             |       |             |       |             |       |       |       |             |       |       |       |       |       |             |       |             |       |             |       |             |      |             |       |             |      |             |       |             |       |             |       |             |       |             |       |             |       |             |       |             |       |             |       |             |       |             |       |             |       |             |       |             |       |             |       |             |       |             |       |             |       |             |       |       |       |             |       |             |       |             |       |       |       |             |       |             |       |       |       |       |       |             |       |       |      |       |       |             |       |             |       |       |       |             |       |       |       |             |       |       |       |             |       |       |       |       |       |             |       |             |       |       |       |       |       |             |       |             |       |       |       |             |       |             |       |             |       |             |       |             |       |             |      |       |       |             |       |       |       |       |       |             |       |       |       |             |       |       |      |       |       |             |       |       |       |       |       |             |       |       |       |       |      |       |       |             |       |             |       |       |      |       |       |             |       |       |       |       |       |             |       |       |      |       |       |       |      |             |       |       |      |       |      |       |       |       |      |       |       |             |       |       |      |       |      |             |       |       |      |             |       |             |       |             |      |       |      |             |       |             |      |       |      |       |       |       |       |             |       |       |      |       |       |       |       |             |       |       |      |             |       |       |      |             |       |             |      |       |       |       |       |             |       |       |      |       |       |       |      |             |       |       |       |       |      |       |       |       |       |       |       |       |       |       |      |       |      |       |       |       |       |       |       |       |       |       |      |       |      |       |      |       |      |       |      |       |      |       |      |       |      |       |      |       |      |       |      |       |      |       |      |       |      |       |      |       |      |       |      |       |      |       |      |       |      |       |      |      |      |      |      |      |      |      |      |      |      |
| 24            | 16655      | 61.02    | 1.02                   |             |         | 28            | 14442      | 52.91       | 1.17                   |             |         | 31          | 12848 | 47.07       | 1.32  | 36          | 11074 | 40.57       | 1.53  | 45          | 8999  | 32.97       | 1.88  |             |       | 53          | 7632  |             |       | 27.96       | 2.2   |             |       |             |       |             |       |             |       | 36          | 18456 |             |       | 40.57       | 0.92  |             |       | 45          | 14999 |             |       | 32.97       | 1.13  |             |       | 53          | 12719 |             |       | 27.96       | 1.33  |             |       |             |       |             |       | 58          | 11569 | 25.43       | 1.22  | 67          | 10081 | 22.16       | 1.68  | 75          | 8994  | 19.77       | 1.78  | 88          | 7665  | 16.85       | 2.2   | 106         | 6351  | 13.96       | 2.5   | 124         | 5423  | 11.92       | 2.8   | 58          | 11600 | 25.50       | 0.97  | 69          | 9803  | 21.55       | 1.2   | 78          | 8648  | 19.01       | 1.2   | 90          | 7497  | 16.48       | 1.4   | 101         | 6674  | 14.67       | 1.5   | 117         | 5750  | 12.64       | 1.6   | 144         | 4672  | 10.27       | 1.9   | 169         | 3985  | 8.76        | 1.7   | 190         | 3544  | 7.79        | 1.6   | 220         | 3057  | 6.72        | 2.2   | 271         | 2484  | 5.46        | 2.3   | 320         | 2106  | 4.63        | 2.7   | <b>45kW</b> |       |             |       |             |       | <b>75kW</b> |       |       |       |             |       | 30    | 13426 | 49.19 | 0.84  | F 127 | 4     | 58    | 11600 | 25.50 | 0.97  | F 127 | 4     | 35    | 11595 | 42.48 | 0.97  | 39    | 10255 | 37.57 | 1.10  | 47    | 8620  | 31.58 | 1.31  | 58    | 6960  | 25.50 | 1.62  | 55          | 7391  | 26.92 | 1.08 | 60          | 6758  | 24.97       | 1.18 | 69          | 5882  | 21.55       | 1.92  | 78          | 5189  | 19.01       | 2.0  |             |       | 90          | 4498  |             |       | 16.48       | 2.3   |             |       |             |       |             |       |             |       |             |       |             |       |             |       |             |       |             |       |             |       |             |       |             |       |             |       |             |       |             |       |             |       |       |       |             |       |             |       |             |       |       |       | 101         | 4004  |             |       |             |       |       |       |             |       |             |       | 14.67 | 2.6   | 117   | 3450  | 12.64       | 2.7   | 144         | 2803  | 10.27 | 3.2   | 169         | 2391  | 8.76        | 2.8  | 190   | 2126  | 7.79        | 2.7   | 220         | 1834  | 6.72  | 3.6  | 271         | 1490  | 5.46        | 3.8   |             |       |             |       |             |       |             |       |             |       |             |       |             |       |             |       |             |       |             |       |             |       |             |       |       |       |             |       |       |       |       |       |       |       |       |       |       |       |       |       |       |       |       |      |             |       |       |       |             |       |             |       |             |       |             |       |             |       |             |       |       |       |             |       |       |       |       |       |             |       |             |       |             |       |             |      |             |       |             |      |             |       |             |       |             |       |             |       |             |       |             |       |             |       |             |       |             |       |             |       |             |       |             |       |             |       |             |       |             |       |             |       |             |       |             |       |             |       |       |       |             |       |             |       |             |       |       |       |             |       |             |       |       |       |       |       |             |       |       |      |       |       |             |       |             |       |       |       |             |       |       |       |             |       |       |       |             |       |       |       |       |       |             |       |             |       |       |       |       |       |             |       |             |       |       |       |             |       |             |       |             |       |             |       |             |       |             |      |       |       |             |       |       |       |       |       |             |       |       |       |             |       |       |      |       |       |             |       |       |       |       |       |             |       |       |       |       |      |       |       |             |       |             |       |       |      |       |       |             |       |       |       |       |       |             |       |       |      |       |       |       |      |             |       |       |      |       |      |       |       |       |      |       |       |             |       |       |      |       |      |             |       |       |      |             |       |             |       |             |      |       |      |             |       |             |      |       |      |       |       |       |       |             |       |       |      |       |       |       |       |             |       |       |      |             |       |       |      |             |       |             |      |       |       |       |       |             |       |       |      |       |       |       |      |             |       |       |       |       |      |       |       |       |       |       |       |       |       |       |      |       |      |       |       |       |       |       |       |       |       |       |      |       |      |       |      |       |      |       |      |       |      |       |      |       |      |       |      |       |      |       |      |       |      |       |      |       |      |       |      |       |      |       |      |       |      |       |      |       |      |       |      |      |      |      |      |      |      |      |      |      |      |
| 28            | 14442      | 52.91    | 1.17                   |             |         | 31            | 12848      | 47.07       | 1.32                   |             |         | 36          | 11074 | 40.57       | 1.53  | 45          | 8999  | 32.97       | 1.88  | 53          | 7632  | 27.96       | 2.2   |             |       | 36          | 18456 |             |       | 40.57       | 0.92  |             |       |             |       | 45          | 14999 |             |       | 32.97       | 1.13  |             |       | 53          | 12719 |             |       | 27.96       | 1.33  |             |       | 58          | 11569 |             |       | 25.43       | 1.22  |             |       | 67          | 10081 |             |       |             |       | 22.16       | 1.68  | 75          | 8994  | 19.77       | 1.78  | 88          | 7665  | 16.85       | 2.2   | 106         | 6351  | 13.96       | 2.5   | 124         | 5423  | 11.92       | 2.8   | 58          | 11600 | 25.50       | 0.97  | 69          | 9803  | 21.55       | 1.2   | 78          | 8648  | 19.01       | 1.2   | 90          | 7497  | 16.48       | 1.4   | 101         | 6674  | 14.67       | 1.5   | 117         | 5750  | 12.64       | 1.6   | 144         | 4672  | 10.27       | 1.9   | 169         | 3985  | 8.76        | 1.7   | 190         | 3544  | 7.79        | 1.6   | 220         | 3057  | 6.72        | 2.2   | 271         | 2484  | 5.46        | 2.3   | 320         | 2106  | 4.63        | 2.7   | <b>45kW</b> |       |             |       |             |       | <b>75kW</b> |       |             |       |             |       | 30          | 13426 | 49.19       | 0.84  | F 127 | 4     | 58          | 11600 | 25.50 | 0.97  | F 127 | 4     |       |       | 35    | 11595 | 42.48 | 0.97  |       |       | 39    | 10255 | 37.57 | 1.10  | 47    | 8620  | 31.58 | 1.31  | 58    | 6960  | 25.50 | 1.62  | 55    | 7391  | 26.92 | 1.08  | 60          | 6758  | 24.97 | 1.18 | 69          | 5882  | 21.55       | 1.92 | 78          | 5189  | 19.01       | 2.0   | 90          | 4498  | 16.48       | 2.3  |             |       | 101         | 4004  |             |       | 14.67       | 2.6   |             |       |             |       |             |       |             |       |             |       |             |       |             |       |             |       |             |       |             |       |             |       |             |       |             |       |             |       |             |       |             |       |       |       |             |       |             |       |             |       |       |       | 117         | 3450  |             |       | 12.64       | 2.7   |       |       |             |       | 144         | 2803  | 10.27 | 3.2   | 169   | 2391  | 8.76        | 2.8   | 190         | 2126  | 7.79  | 2.7   | 220         | 1834  | 6.72        | 3.6  | 271   | 1490  | 5.46        | 3.8   |             |       |       |      |             |       |             |       |             |       |             |       |             |       |             |       |             |       |             |       |             |       |             |       |             |       |             |       |             |       |             |       |       |       |             |       |       |       |       |       |       |       |       |       |       |       |       |       |       |       |       |      |             |       |       |       |             |       |             |       |             |       |             |       |             |       |             |       |       |       |             |       |       |       |       |       |             |       |             |       |             |       |             |      |             |       |             |      |             |       |             |       |             |       |             |       |             |       |             |       |             |       |             |       |             |       |             |       |             |       |             |       |             |       |             |       |             |       |             |       |             |       |             |       |             |       |       |       |             |       |             |       |             |       |       |       |             |       |             |       |       |       |       |       |             |       |       |      |       |       |             |       |             |       |       |       |             |       |       |       |             |       |       |       |             |       |       |       |       |       |             |       |             |       |       |       |       |       |             |       |             |       |       |       |             |       |             |       |             |       |             |       |             |       |             |      |       |       |             |       |       |       |       |       |             |       |       |       |             |       |       |      |       |       |             |       |       |       |       |       |             |       |       |       |       |      |       |       |             |       |             |       |       |      |       |       |             |       |       |       |       |       |             |       |       |      |       |       |       |      |             |       |       |      |       |      |       |       |       |      |       |       |             |       |       |      |       |      |             |       |       |      |             |       |             |       |             |      |       |      |             |       |             |      |       |      |       |       |       |       |             |       |       |      |       |       |       |       |             |       |       |      |             |       |       |      |             |       |             |      |       |       |       |       |             |       |       |      |       |       |       |      |             |       |       |       |       |      |       |       |       |       |       |       |       |       |       |      |       |      |       |       |       |       |       |       |       |       |       |      |       |      |       |      |       |      |       |      |       |      |       |      |       |      |       |      |       |      |       |      |       |      |       |      |       |      |       |      |       |      |       |      |       |      |       |      |       |      |       |      |      |      |      |      |      |      |      |      |      |      |
| 31            | 12848      | 47.07    | 1.32                   |             |         | 36            | 11074      | 40.57       | 1.53                   |             |         | 45          | 8999  | 32.97       | 1.88  | 53          | 7632  | 27.96       | 2.2   | 36          | 18456 | 40.57       | 0.92  |             |       | 45          | 14999 |             |       | 32.97       | 1.13  | 53          | 12719 |             |       | 27.96       | 1.33  |             |       | 58          | 11569 |             |       | 25.43       | 1.22  |             |       | 67          | 10081 |             |       | 22.16       | 1.68  |             |       | 75          | 8994  |             |       | 19.77       | 1.78  |             |       | 88          | 7665  | 16.85       | 2.2   | 106         | 6351  | 13.96       | 2.5   | 124         | 5423  | 11.92       | 2.8   | 58          | 11600 | 25.50       | 0.97  | 69          | 9803  | 21.55       | 1.2   | 78          | 8648  | 19.01       | 1.2   | 90          | 7497  | 16.48       | 1.4   | 101         | 6674  | 14.67       | 1.5   | 117         | 5750  | 12.64       | 1.6   | 144         | 4672  | 10.27       | 1.9   | 169         | 3985  | 8.76        | 1.7   | 190         | 3544  | 7.79        | 1.6   | 220         | 3057  | 6.72        | 2.2   | 271         | 2484  | 5.46        | 2.3   | 320         | 2106  | 4.63        | 2.7   | <b>45kW</b> |       |             |       |             |       | <b>75kW</b> |       |             |       |             |       | 30          | 13426 | 49.19       | 0.84  | F 127       | 4     | 58          | 11600 | 25.50       | 0.97  | F 127       | 4     |       |       | 35          | 11595 | 42.48 | 0.97  |       |       |       |       | 39    | 10255 | 37.57 | 1.10  |       |       | 47    | 8620  | 31.58 | 1.31  | 58    | 6960  | 25.50 | 1.62  | 55    | 7391  | 26.92 | 1.08  | 60    | 6758  | 24.97 | 1.18  | 69          | 5882  | 21.55 | 1.92 | 78          | 5189  | 19.01       | 2.0  | 90          | 4498  | 16.48       | 2.3   | 101         | 4004  | 14.67       | 2.6  |             |       | 117         | 3450  |             |       | 12.64       | 2.7   |             |       |             |       |             |       |             |       |             |       |             |       |             |       |             |       |             |       |             |       |             |       |             |       |             |       |             |       |             |       |             |       |       |       |             |       |             |       | 144         | 2803  |       |       | 10.27       | 3.2   | 169         | 2391  | 8.76        | 2.8   |       |       |             |       | 190         | 2126  | 7.79  | 2.7   | 220   | 1834  | 6.72        | 3.6   | 271         | 1490  | 5.46  | 3.8   |             |       |             |      |       |       |             |       |             |       |       |      |             |       |             |       |             |       |             |       |             |       |             |       |             |       |             |       |             |       |             |       |             |       |             |       |             |       |             |       |       |       |             |       |       |       |       |       |       |       |       |       |       |       |       |       |       |       |       |      |             |       |       |       |             |       |             |       |             |       |             |       |             |       |             |       |       |       |             |       |       |       |       |       |             |       |             |       |             |       |             |      |             |       |             |      |             |       |             |       |             |       |             |       |             |       |             |       |             |       |             |       |             |       |             |       |             |       |             |       |             |       |             |       |             |       |             |       |             |       |             |       |             |       |       |       |             |       |             |       |             |       |       |       |             |       |             |       |       |       |       |       |             |       |       |      |       |       |             |       |             |       |       |       |             |       |       |       |             |       |       |       |             |       |       |       |       |       |             |       |             |       |       |       |       |       |             |       |             |       |       |       |             |       |             |       |             |       |             |       |             |       |             |      |       |       |             |       |       |       |       |       |             |       |       |       |             |       |       |      |       |       |             |       |       |       |       |       |             |       |       |       |       |      |       |       |             |       |             |       |       |      |       |       |             |       |       |       |       |       |             |       |       |      |       |       |       |      |             |       |       |      |       |      |       |       |       |      |       |       |             |       |       |      |       |      |             |       |       |      |             |       |             |       |             |      |       |      |             |       |             |      |       |      |       |       |       |       |             |       |       |      |       |       |       |       |             |       |       |      |             |       |       |      |             |       |             |      |       |       |       |       |             |       |       |      |       |       |       |      |             |       |       |       |       |      |       |       |       |       |       |       |       |       |       |      |       |      |       |       |       |       |       |       |       |       |       |      |       |      |       |      |       |      |       |      |       |      |       |      |       |      |       |      |       |      |       |      |       |      |       |      |       |      |       |      |       |      |       |      |       |      |       |      |       |      |       |      |      |      |      |      |      |      |      |      |      |      |
| 36            | 11074      | 40.57    | 1.53                   |             |         | 45            | 8999       | 32.97       | 1.88                   |             |         | 53          | 7632  | 27.96       | 2.2   | 36          | 18456 | 40.57       | 0.92  | 45          | 14999 | 32.97       | 1.13  |             |       | 53          | 12719 | 27.96       | 1.33  | 58          | 11569 | 25.43       | 1.22  |             |       | 67          | 10081 |             |       | 22.16       | 1.68  |             |       | 75          | 8994  |             |       | 19.77       | 1.78  |             |       | 88          | 7665  |             |       | 16.85       | 2.2   |             |       | 106         | 6351  | 13.96       | 2.5   | 124         | 5423  | 11.92       | 2.8   | 58          | 11600 | 25.50       | 0.97  | 69          | 9803  | 21.55       | 1.2   | 78          | 8648  | 19.01       | 1.2   | 90          | 7497  | 16.48       | 1.4   | 101         | 6674  | 14.67       | 1.5   | 117         | 5750  | 12.64       | 1.6   | 144         | 4672  | 10.27       | 1.9   | 169         | 3985  | 8.76        | 1.7   | 190         | 3544  | 7.79        | 1.6   | 220         | 3057  | 6.72        | 2.2   | 271         | 2484  | 5.46        | 2.3   | 320         | 2106  | 4.63        | 2.7   | <b>45kW</b> |       |             |       |             |       | <b>75kW</b> |       |             |       |             |       | 30          | 13426 | 49.19       | 0.84  | F 127       | 4     | 58          | 11600 | 25.50       | 0.97  | F 127       | 4     |             |       | 35          | 11595 | 42.48       | 0.97  |             |       |       |       | 39          | 10255 | 37.57 | 1.10  |       |       |       |       | 47    | 8620  | 31.58 | 1.31  |       |       | 58    | 6960  | 25.50 | 1.62  | 55    | 7391  | 26.92 | 1.08  | 60    | 6758  | 24.97 | 1.18  | 69    | 5882  | 21.55 | 1.92  | 78          | 5189  | 19.01 | 2.0  | 90          | 4498  | 16.48       | 2.3  | 101         | 4004  | 14.67       | 2.6   | 117         | 3450  | 12.64       | 2.7  |             |       | 144         | 2803  |             |       | 10.27       | 3.2   |             |       |             |       |             |       |             |       |             |       |             |       |             |       |             |       |             |       |             |       |             |       |             |       |             |       |             |       |             |       |             |       |       |       |             |       | 169         | 2391  | 8.76        | 2.8   |       |       | 190         | 2126  | 7.79        | 2.7   | 220         | 1834  | 6.72  | 3.6   |             |       | 271         | 1490  | 5.46  | 3.8   |       |       |             |       |             |       |       |       |             |       |             |      |       |       |             |       |             |       |       |      |             |       |             |       |             |       |             |       |             |       |             |       |             |       |             |       |             |       |             |       |             |       |             |       |             |       |             |       |       |       |             |       |       |       |       |       |       |       |       |       |       |       |       |       |       |       |       |      |             |       |       |       |             |       |             |       |             |       |             |       |             |       |             |       |       |       |             |       |       |       |       |       |             |       |             |       |             |       |             |      |             |       |             |      |             |       |             |       |             |       |             |       |             |       |             |       |             |       |             |       |             |       |             |       |             |       |             |       |             |       |             |       |             |       |             |       |             |       |             |       |             |       |       |       |             |       |             |       |             |       |       |       |             |       |             |       |       |       |       |       |             |       |       |      |       |       |             |       |             |       |       |       |             |       |       |       |             |       |       |       |             |       |       |       |       |       |             |       |             |       |       |       |       |       |             |       |             |       |       |       |             |       |             |       |             |       |             |       |             |       |             |      |       |       |             |       |       |       |       |       |             |       |       |       |             |       |       |      |       |       |             |       |       |       |       |       |             |       |       |       |       |      |       |       |             |       |             |       |       |      |       |       |             |       |       |       |       |       |             |       |       |      |       |       |       |      |             |       |       |      |       |      |       |       |       |      |       |       |             |       |       |      |       |      |             |       |       |      |             |       |             |       |             |      |       |      |             |       |             |      |       |      |       |       |       |       |             |       |       |      |       |       |       |       |             |       |       |      |             |       |       |      |             |       |             |      |       |       |       |       |             |       |       |      |       |       |       |      |             |       |       |       |       |      |       |       |       |       |       |       |       |       |       |      |       |      |       |       |       |       |       |       |       |       |       |      |       |      |       |      |       |      |       |      |       |      |       |      |       |      |       |      |       |      |       |      |       |      |       |      |       |      |       |      |       |      |       |      |       |      |       |      |       |      |       |      |      |      |      |      |      |      |      |      |      |      |
| 45            | 8999       | 32.97    | 1.88                   |             |         | 53            | 7632       | 27.96       | 2.2                    |             |         | 36          | 18456 | 40.57       | 0.92  | 45          | 14999 | 32.97       | 1.13  | 53          | 12719 | 27.96       | 1.33  | 58          | 11569 | 25.43       | 1.22  | 67          | 10081 | 22.16       | 1.68  | 75          | 8994  |             |       | 19.77       | 1.78  |             |       | 88          | 7665  |             |       | 16.85       | 2.2   |             |       | 106         | 6351  |             |       | 13.96       | 2.5   |             |       | 124         | 5423  | 11.92       | 2.8   | 58          | 11600 | 25.50       | 0.97  | 69          | 9803  | 21.55       | 1.2   | 78          | 8648  | 19.01       | 1.2   | 90          | 7497  | 16.48       | 1.4   | 101         | 6674  | 14.67       | 1.5   | 117         | 5750  | 12.64       | 1.6   | 144         | 4672  | 10.27       | 1.9   | 169         | 3985  | 8.76        | 1.7   | 190         | 3544  | 7.79        | 1.6   | 220         | 3057  | 6.72        | 2.2   | 271         | 2484  | 5.46        | 2.3   | 320         | 2106  | 4.63        | 2.7   | <b>45kW</b> |       |             |       |             |       | <b>75kW</b> |       |             |       |             |       | 30          | 13426 | 49.19       | 0.84  | F 127       | 4     | 58          | 11600 | 25.50       | 0.97  | F 127       | 4     |             |       | 35          | 11595 | 42.48       | 0.97  |             |       |             |       | 39          | 10255 | 37.57       | 1.10  |             |       |       |       | 47          | 8620  | 31.58 | 1.31  |       |       |       |       | 58    | 6960  | 25.50 | 1.62  |       |       | 55    | 7391  | 26.92 | 1.08  | 60    | 6758  | 24.97 | 1.18  | 69    | 5882  | 21.55 | 1.92  | 78    | 5189  | 19.01 | 2.0   | 90          | 4498  | 16.48 | 2.3  | 101         | 4004  | 14.67       | 2.6  | 117         | 3450  | 12.64       | 2.7   | 144         | 2803  | 10.27       | 3.2  |             |       | 169         | 2391  |             |       | 8.76        | 2.8   |             |       |             |       |             |       |             |       |             |       |             |       |             |       |             |       |             |       |             |       |             |       |             |       |             |       |             |       |             |       |             |       |       |       | 190         | 2126  | 7.79        | 2.7   | 220         | 1834  |       |       | 6.72        | 3.6   | 271         | 1490  | 5.46        | 3.8   |       |       |             |       |             |       |       |       |       |       |             |       |             |       |       |       |             |       |             |      |       |       |             |       |             |       |       |      |             |       |             |       |             |       |             |       |             |       |             |       |             |       |             |       |             |       |             |       |             |       |             |       |             |       |             |       |       |       |             |       |       |       |       |       |       |       |       |       |       |       |       |       |       |       |       |      |             |       |       |       |             |       |             |       |             |       |             |       |             |       |             |       |       |       |             |       |       |       |       |       |             |       |             |       |             |       |             |      |             |       |             |      |             |       |             |       |             |       |             |       |             |       |             |       |             |       |             |       |             |       |             |       |             |       |             |       |             |       |             |       |             |       |             |       |             |       |             |       |             |       |       |       |             |       |             |       |             |       |       |       |             |       |             |       |       |       |       |       |             |       |       |      |       |       |             |       |             |       |       |       |             |       |       |       |             |       |       |       |             |       |       |       |       |       |             |       |             |       |       |       |       |       |             |       |             |       |       |       |             |       |             |       |             |       |             |       |             |       |             |      |       |       |             |       |       |       |       |       |             |       |       |       |             |       |       |      |       |       |             |       |       |       |       |       |             |       |       |       |       |      |       |       |             |       |             |       |       |      |       |       |             |       |       |       |       |       |             |       |       |      |       |       |       |      |             |       |       |      |       |      |       |       |       |      |       |       |             |       |       |      |       |      |             |       |       |      |             |       |             |       |             |      |       |      |             |       |             |      |       |      |       |       |       |       |             |       |       |      |       |       |       |       |             |       |       |      |             |       |       |      |             |       |             |      |       |       |       |       |             |       |       |      |       |       |       |      |             |       |       |       |       |      |       |       |       |       |       |       |       |       |       |      |       |      |       |       |       |       |       |       |       |       |       |      |       |      |       |      |       |      |       |      |       |      |       |      |       |      |       |      |       |      |       |      |       |      |       |      |       |      |       |      |       |      |       |      |       |      |       |      |       |      |       |      |      |      |      |      |      |      |      |      |      |      |
| 53            | 7632       | 27.96    | 2.2                    |             |         | 36            | 18456      | 40.57       | 0.92                   |             |         | 45          | 14999 | 32.97       | 1.13  | 53          | 12719 | 27.96       | 1.33  | 58          | 11569 | 25.43       | 1.22  | 67          | 10081 | 22.16       | 1.68  | 75          | 8994  | 19.77       | 1.78  | 88          | 7665  |             |       | 16.85       | 2.2   |             |       | 106         | 6351  |             |       | 13.96       | 2.5   |             |       | 124         | 5423  |             |       | 11.92       | 2.8   | 58          | 11600 | 25.50       | 0.97  | 69          | 9803  | 21.55       | 1.2   | 78          | 8648  | 19.01       | 1.2   | 90          | 7497  | 16.48       | 1.4   | 101         | 6674  | 14.67       | 1.5   | 117         | 5750  | 12.64       | 1.6   | 144         | 4672  | 10.27       | 1.9   | 169         | 3985  | 8.76        | 1.7   | 190         | 3544  | 7.79        | 1.6   | 220         | 3057  | 6.72        | 2.2   | 271         | 2484  | 5.46        | 2.3   | 320         | 2106  | 4.63        | 2.7   | <b>45kW</b> |       |             |       |             |       | <b>75kW</b> |       |             |       |             |       | 30          | 13426 | 49.19       | 0.84  | F 127       | 4     | 58          | 11600 | 25.50       | 0.97  |             |       | F 127       | 4     | 35          | 11595 |             |       |             |       | 42.48       | 0.97  | 39          | 10255 |             |       |             |       | 37.57       | 1.10  | 47          | 8620  |             |       |       |       | 31.58       | 1.31  | 58    | 6960  |       |       |       |       | 25.50 | 1.62  | 55    | 7391  |       |       | 26.92 | 1.08  | 60    | 6758  | 24.97 | 1.18  | 69    | 5882  | 21.55 | 1.92  | 78    | 5189  | 19.01 | 2.0   | 90    | 4498  | 16.48       | 2.3   | 101   | 4004 | 14.67       | 2.6   | 117         | 3450 | 12.64       | 2.7   | 144         | 2803  | 10.27       | 3.2   | 169         | 2391 |             |       | 8.76        | 2.8   |             |       | 190         | 2126  |             |       |             |       |             |       |             |       |             |       |             |       |             |       |             |       |             |       |             |       |             |       |             |       |             |       |             |       | 7.79        | 2.7   |             |       |       |       | 220         | 1834  | 6.72        | 3.6   | 271         | 1490  | 5.46  | 3.8   |             |       |             |       |             |       |       |       |             |       |             |       |       |       |       |       |             |       |             |       |       |       |             |       |             |      |       |       |             |       |             |       |       |      |             |       |             |       |             |       |             |       |             |       |             |       |             |       |             |       |             |       |             |       |             |       |             |       |             |       |             |       |       |       |             |       |       |       |       |       |       |       |       |       |       |       |       |       |       |       |       |      |             |       |       |       |             |       |             |       |             |       |             |       |             |       |             |       |       |       |             |       |       |       |       |       |             |       |             |       |             |       |             |      |             |       |             |      |             |       |             |       |             |       |             |       |             |       |             |       |             |       |             |       |             |       |             |       |             |       |             |       |             |       |             |       |             |       |             |       |             |       |             |       |             |       |       |       |             |       |             |       |             |       |       |       |             |       |             |       |       |       |       |       |             |       |       |      |       |       |             |       |             |       |       |       |             |       |       |       |             |       |       |       |             |       |       |       |       |       |             |       |             |       |       |       |       |       |             |       |             |       |       |       |             |       |             |       |             |       |             |       |             |       |             |      |       |       |             |       |       |       |       |       |             |       |       |       |             |       |       |      |       |       |             |       |       |       |       |       |             |       |       |       |       |      |       |       |             |       |             |       |       |      |       |       |             |       |       |       |       |       |             |       |       |      |       |       |       |      |             |       |       |      |       |      |       |       |       |      |       |       |             |       |       |      |       |      |             |       |       |      |             |       |             |       |             |      |       |      |             |       |             |      |       |      |       |       |       |       |             |       |       |      |       |       |       |       |             |       |       |      |             |       |       |      |             |       |             |      |       |       |       |       |             |       |       |      |       |       |       |      |             |       |       |       |       |      |       |       |       |       |       |       |       |       |       |      |       |      |       |       |       |       |       |       |       |       |       |      |       |      |       |      |       |      |       |      |       |      |       |      |       |      |       |      |       |      |       |      |       |      |       |      |       |      |       |      |       |      |       |      |       |      |       |      |       |      |       |      |      |      |      |      |      |      |      |      |      |      |
| 36            | 18456      | 40.57    | 0.92                   |             |         | 45            | 14999      | 32.97       | 1.13                   |             |         | 53          | 12719 | 27.96       | 1.33  | 58          | 11569 | 25.43       | 1.22  | 67          | 10081 | 22.16       | 1.68  | 75          | 8994  | 19.77       | 1.78  | 88          | 7665  | 16.85       | 2.2   | 106         | 6351  |             |       | 13.96       | 2.5   |             |       | 124         | 5423  |             |       | 11.92       | 2.8   |             |       | 58          | 11600 | 25.50       | 0.97  | 69          | 9803  | 21.55       | 1.2   | 78          | 8648  | 19.01       | 1.2   | 90          | 7497  | 16.48       | 1.4   | 101         | 6674  | 14.67       | 1.5   | 117         | 5750  | 12.64       | 1.6   | 144         | 4672  | 10.27       | 1.9   | 169         | 3985  | 8.76        | 1.7   | 190         | 3544  | 7.79        | 1.6   | 220         | 3057  | 6.72        | 2.2   | 271         | 2484  | 5.46        | 2.3   | 320         | 2106  | 4.63        | 2.7   | <b>45kW</b> |       |             |       |             |       | <b>75kW</b> |       |             |       |             |       | 30          | 13426 | 49.19       | 0.84  | F 127       | 4     | 58          | 11600 | 25.50       | 0.97  |             |       | F 127       | 4     | 35          | 11595 |             |       |             |       | 42.48       | 0.97  |             |       |             |       | 39          | 10255 | 37.57       | 1.10  |             |       |             |       | 47          | 8620  | 31.58       | 1.31  |             |       |       |       | 58          | 6960  | 25.50 | 1.62  |       |       |       |       | 55    | 7391  | 26.92 | 1.08  |       |       | 60    | 6758  | 24.97 | 1.18  | 69    | 5882  | 21.55 | 1.92  | 78    | 5189  | 19.01 | 2.0   | 90    | 4498  | 16.48 | 2.3   | 101         | 4004  | 14.67 | 2.6  | 117         | 3450  | 12.64       | 2.7  | 144         | 2803  | 10.27       | 3.2   | 169         | 2391  | 8.76        | 2.8  |             |       | 190         | 2126  |             |       | 7.79        | 2.7   |             |       |             |       |             |       |             |       |             |       |             |       |             |       |             |       |             |       |             |       |             |       |             |       | 220         | 1834  |             |       | 6.72        | 3.6   |             |       | 271   | 1490  | 5.46        | 3.8   |             |       |             |       |       |       |             |       |             |       |             |       |       |       |             |       |             |       |       |       |       |       |             |       |             |       |       |       |             |       |             |      |       |       |             |       |             |       |       |      |             |       |             |       |             |       |             |       |             |       |             |       |             |       |             |       |             |       |             |       |             |       |             |       |             |       |             |       |       |       |             |       |       |       |       |       |       |       |       |       |       |       |       |       |       |       |       |      |             |       |       |       |             |       |             |       |             |       |             |       |             |       |             |       |       |       |             |       |       |       |       |       |             |       |             |       |             |       |             |      |             |       |             |      |             |       |             |       |             |       |             |       |             |       |             |       |             |       |             |       |             |       |             |       |             |       |             |       |             |       |             |       |             |       |             |       |             |       |             |       |             |       |       |       |             |       |             |       |             |       |       |       |             |       |             |       |       |       |       |       |             |       |       |      |       |       |             |       |             |       |       |       |             |       |       |       |             |       |       |       |             |       |       |       |       |       |             |       |             |       |       |       |       |       |             |       |             |       |       |       |             |       |             |       |             |       |             |       |             |       |             |      |       |       |             |       |       |       |       |       |             |       |       |       |             |       |       |      |       |       |             |       |       |       |       |       |             |       |       |       |       |      |       |       |             |       |             |       |       |      |       |       |             |       |       |       |       |       |             |       |       |      |       |       |       |      |             |       |       |      |       |      |       |       |       |      |       |       |             |       |       |      |       |      |             |       |       |      |             |       |             |       |             |      |       |      |             |       |             |      |       |      |       |       |       |       |             |       |       |      |       |       |       |       |             |       |       |      |             |       |       |      |             |       |             |      |       |       |       |       |             |       |       |      |       |       |       |      |             |       |       |       |       |      |       |       |       |       |       |       |       |       |       |      |       |      |       |       |       |       |       |       |       |       |       |      |       |      |       |      |       |      |       |      |       |      |       |      |       |      |       |      |       |      |       |      |       |      |       |      |       |      |       |      |       |      |       |      |       |      |       |      |       |      |       |      |      |      |      |      |      |      |      |      |      |      |
| 45            | 14999      | 32.97    | 1.13                   | 53          | 12719   | 27.96         | 1.33       | 58          | 11569                  |             |         | 25.43       | 1.22  | 67          | 10081 | 22.16       | 1.68  | 75          | 8994  | 19.77       | 1.78  | 88          | 7665  | 16.85       | 2.2   | 106         | 6351  | 13.96       | 2.5   | 124         | 5423  | 11.92       | 2.8   |             |       | 58          | 11600 |             |       | 25.50       | 0.97  |             |       | 69          | 9803  | 21.55       | 1.2   | 78          | 8648  | 19.01       | 1.2   | 90          | 7497  | 16.48       | 1.4   | 101         | 6674  | 14.67       | 1.5   | 117         | 5750  | 12.64       | 1.6   | 144         | 4672  | 10.27       | 1.9   | 169         | 3985  | 8.76        | 1.7   | 190         | 3544  | 7.79        | 1.6   | 220         | 3057  | 6.72        | 2.2   | 271         | 2484  | 5.46        | 2.3   | 320         | 2106  | 4.63        | 2.7   | <b>45kW</b> |       |             |       |             |       | <b>75kW</b> |       |             |       |             |       | 30          | 13426 | 49.19       | 0.84  | F 127       | 4     | 58          | 11600 | 25.50       | 0.97  | F 127       | 4     |             |       | 35          | 11595 | 42.48       | 0.97  |             |       |             |       | 39          | 10255 |             |       |             |       | 37.57       | 1.10  |             |       |             |       | 47          | 8620  | 31.58       | 1.31  |             |       |             |       | 58          | 6960  | 25.50       | 1.62  |             |       |       |       | 55          | 7391  | 26.92 | 1.08  |       |       |       |       | 60    | 6758  | 24.97 | 1.18  |       |       | 69    | 5882  | 21.55 | 1.92  | 78    | 5189  | 19.01 | 2.0   | 90    | 4498  | 16.48 | 2.3   | 101   | 4004  | 14.67 | 2.6   | 117         | 3450  | 12.64 | 2.7  | 144         | 2803  | 10.27       | 3.2  | 169         | 2391  | 8.76        | 2.8   | 190         | 2126  | 7.79        | 2.7  |             |       | 220         | 1834  |             |       | 6.72        | 3.6   |             |       |             |       |             |       |             |       |             |       |             |       |             |       |             |       |             |       |             |       | 271         | 1490  |             |       | 5.46        | 3.8   |             |       |             |       |             |       |       |       |             |       |             |       |             |       |       |       |             |       |             |       |             |       |       |       |             |       |             |       |       |       |       |       |             |       |             |       |       |       |             |       |             |      |       |       |             |       |             |       |       |      |             |       |             |       |             |       |             |       |             |       |             |       |             |       |             |       |             |       |             |       |             |       |             |       |             |       |             |       |       |       |             |       |       |       |       |       |       |       |       |       |       |       |       |       |       |       |       |      |             |       |       |       |             |       |             |       |             |       |             |       |             |       |             |       |       |       |             |       |       |       |       |       |             |       |             |       |             |       |             |      |             |       |             |      |             |       |             |       |             |       |             |       |             |       |             |       |             |       |             |       |             |       |             |       |             |       |             |       |             |       |             |       |             |       |             |       |             |       |             |       |             |       |       |       |             |       |             |       |             |       |       |       |             |       |             |       |       |       |       |       |             |       |       |      |       |       |             |       |             |       |       |       |             |       |       |       |             |       |       |       |             |       |       |       |       |       |             |       |             |       |       |       |       |       |             |       |             |       |       |       |             |       |             |       |             |       |             |       |             |       |             |      |       |       |             |       |       |       |       |       |             |       |       |       |             |       |       |      |       |       |             |       |       |       |       |       |             |       |       |       |       |      |       |       |             |       |             |       |       |      |       |       |             |       |       |       |       |       |             |       |       |      |       |       |       |      |             |       |       |      |       |      |       |       |       |      |       |       |             |       |       |      |       |      |             |       |       |      |             |       |             |       |             |      |       |      |             |       |             |      |       |      |       |       |       |       |             |       |       |      |       |       |       |       |             |       |       |      |             |       |       |      |             |       |             |      |       |       |       |       |             |       |       |      |       |       |       |      |             |       |       |       |       |      |       |       |       |       |       |       |       |       |       |      |       |      |       |       |       |       |       |       |       |       |       |      |       |      |       |      |       |      |       |      |       |      |       |      |       |      |       |      |       |      |       |      |       |      |       |      |       |      |       |      |       |      |       |      |       |      |       |      |       |      |       |      |      |      |      |      |      |      |      |      |      |      |
| 53            | 12719      | 27.96    | 1.33                   | 58          | 11569   | 25.43         | 1.22       | 67          | 10081                  |             |         | 22.16       | 1.68  | 75          | 8994  | 19.77       | 1.78  | 88          | 7665  | 16.85       | 2.2   | 106         | 6351  | 13.96       | 2.5   | 124         | 5423  | 11.92       | 2.8   | 58          | 11600 | 25.50       | 0.97  |             |       | 69          | 9803  |             |       | 21.55       | 1.2   | 78          | 8648  | 19.01       | 1.2   | 90          | 7497  | 16.48       | 1.4   | 101         | 6674  | 14.67       | 1.5   | 117         | 5750  | 12.64       | 1.6   | 144         | 4672  | 10.27       | 1.9   | 169         | 3985  | 8.76        | 1.7   | 190         | 3544  | 7.79        | 1.6   | 220         | 3057  | 6.72        | 2.2   | 271         | 2484  | 5.46        | 2.3   | 320         | 2106  | 4.63        | 2.7   | <b>45kW</b> |       |             |       |             |       | <b>75kW</b> |       |             |       |             |       | 30          | 13426 | 49.19       | 0.84  | F 127       | 4     | 58          | 11600 | 25.50       | 0.97  |             |       | F 127       | 4     | 35          | 11595 |             |       |             |       | 42.48       | 0.97  | 39          | 10255 |             |       |             |       | 37.57       | 1.10  |             |       |             |       | 47          | 8620  |             |       |             |       | 31.58       | 1.31  | 58          | 6960  |             |       |             |       | 25.50       | 1.62  | 55          | 7391  |             |       |       |       | 26.92       | 1.08  | 60    | 6758  |       |       |       |       | 24.97 | 1.18  | 69    | 5882  |       |       | 21.55 | 1.92  | 78    | 5189  | 19.01 | 2.0   | 90    | 4498  | 16.48 | 2.3   | 101   | 4004  | 14.67 | 2.6   | 117   | 3450  | 12.64       | 2.7   | 144   | 2803 | 10.27       | 3.2   | 169         | 2391 | 8.76        | 2.8   | 190         | 2126  | 7.79        | 2.7   | 220         | 1834 |             |       | 6.72        | 3.6   |             |       | 271         | 1490  |             |       |             |       |             |       |             |       |             |       |             |       |             |       |             |       | 5.46        | 3.8   |             |       |             |       |             |       |             |       |             |       |             |       |             |       |       |       |             |       |             |       |             |       |       |       |             |       |             |       |             |       |       |       |             |       |             |       |       |       |       |       |             |       |             |       |       |       |             |       |             |      |       |       |             |       |             |       |       |      |             |       |             |       |             |       |             |       |             |       |             |       |             |       |             |       |             |       |             |       |             |       |             |       |             |       |             |       |       |       |             |       |       |       |       |       |       |       |       |       |       |       |       |       |       |       |       |      |             |       |       |       |             |       |             |       |             |       |             |       |             |       |             |       |       |       |             |       |       |       |       |       |             |       |             |       |             |       |             |      |             |       |             |      |             |       |             |       |             |       |             |       |             |       |             |       |             |       |             |       |             |       |             |       |             |       |             |       |             |       |             |       |             |       |             |       |             |       |             |       |             |       |       |       |             |       |             |       |             |       |       |       |             |       |             |       |       |       |       |       |             |       |       |      |       |       |             |       |             |       |       |       |             |       |       |       |             |       |       |       |             |       |       |       |       |       |             |       |             |       |       |       |       |       |             |       |             |       |       |       |             |       |             |       |             |       |             |       |             |       |             |      |       |       |             |       |       |       |       |       |             |       |       |       |             |       |       |      |       |       |             |       |       |       |       |       |             |       |       |       |       |      |       |       |             |       |             |       |       |      |       |       |             |       |       |       |       |       |             |       |       |      |       |       |       |      |             |       |       |      |       |      |       |       |       |      |       |       |             |       |       |      |       |      |             |       |       |      |             |       |             |       |             |      |       |      |             |       |             |      |       |      |       |       |       |       |             |       |       |      |       |       |       |       |             |       |       |      |             |       |       |      |             |       |             |      |       |       |       |       |             |       |       |      |       |       |       |      |             |       |       |       |       |      |       |       |       |       |       |       |       |       |       |      |       |      |       |       |       |       |       |       |       |       |       |      |       |      |       |      |       |      |       |      |       |      |       |      |       |      |       |      |       |      |       |      |       |      |       |      |       |      |       |      |       |      |       |      |       |      |       |      |       |      |       |      |      |      |      |      |      |      |      |      |      |      |
| 58            | 11569      | 25.43    | 1.22                   | 67          | 10081   | 22.16         | 1.68       | 75          | 8994                   |             |         | 19.77       | 1.78  | 88          | 7665  | 16.85       | 2.2   | 106         | 6351  | 13.96       | 2.5   | 124         | 5423  | 11.92       | 2.8   | 58          | 11600 | 25.50       | 0.97  | 69          | 9803  | 21.55       | 1.2   |             |       | 78          | 8648  | 19.01       | 1.2   | 90          | 7497  | 16.48       | 1.4   | 101         | 6674  | 14.67       | 1.5   | 117         | 5750  | 12.64       | 1.6   | 144         | 4672  | 10.27       | 1.9   | 169         | 3985  | 8.76        | 1.7   | 190         | 3544  | 7.79        | 1.6   | 220         | 3057  | 6.72        | 2.2   | 271         | 2484  | 5.46        | 2.3   | 320         | 2106  | 4.63        | 2.7   | <b>45kW</b> |       |             |       |             |       | <b>75kW</b> |       |             |       |             |       | 30          | 13426 | 49.19       | 0.84  | F 127       | 4     | 58          | 11600 | 25.50       | 0.97  |             |       | F 127       | 4     | 35          | 11595 |             |       |             |       | 42.48       | 0.97  |             |       |             |       | 39          | 10255 | 37.57       | 1.10  |             |       |             |       | 47          | 8620  |             |       |             |       | 31.58       | 1.31  |             |       |             |       | 58          | 6960  | 25.50       | 1.62  |             |       |             |       | 55          | 7391  | 26.92       | 1.08  |             |       |       |       | 60          | 6758  | 24.97 | 1.18  |       |       |       |       | 69    | 5882  | 21.55 | 1.92  |       |       | 78    | 5189  | 19.01 | 2.0   | 90    | 4498  | 16.48 | 2.3   | 101   | 4004  | 14.67 | 2.6   | 117   | 3450  | 12.64 | 2.7   | 144         | 2803  | 10.27 | 3.2  | 169         | 2391  | 8.76        | 2.8  | 190         | 2126  | 7.79        | 2.7   | 220         | 1834  | 6.72        | 3.6  |             |       | 271         | 1490  |             |       | 5.46        | 3.8   |             |       |             |       |             |       |             |       |             |       |             |       |             |       |             |       |             |       |             |       |             |       |             |       |             |       |             |       |             |       |             |       |       |       |             |       |             |       |             |       |       |       |             |       |             |       |             |       |       |       |             |       |             |       |       |       |       |       |             |       |             |       |       |       |             |       |             |      |       |       |             |       |             |       |       |      |             |       |             |       |             |       |             |       |             |       |             |       |             |       |             |       |             |       |             |       |             |       |             |       |             |       |             |       |       |       |             |       |       |       |       |       |       |       |       |       |       |       |       |       |       |       |       |      |             |       |       |       |             |       |             |       |             |       |             |       |             |       |             |       |       |       |             |       |       |       |       |       |             |       |             |       |             |       |             |      |             |       |             |      |             |       |             |       |             |       |             |       |             |       |             |       |             |       |             |       |             |       |             |       |             |       |             |       |             |       |             |       |             |       |             |       |             |       |             |       |             |       |       |       |             |       |             |       |             |       |       |       |             |       |             |       |       |       |       |       |             |       |       |      |       |       |             |       |             |       |       |       |             |       |       |       |             |       |       |       |             |       |       |       |       |       |             |       |             |       |       |       |       |       |             |       |             |       |       |       |             |       |             |       |             |       |             |       |             |       |             |      |       |       |             |       |       |       |       |       |             |       |       |       |             |       |       |      |       |       |             |       |       |       |       |       |             |       |       |       |       |      |       |       |             |       |             |       |       |      |       |       |             |       |       |       |       |       |             |       |       |      |       |       |       |      |             |       |       |      |       |      |       |       |       |      |       |       |             |       |       |      |       |      |             |       |       |      |             |       |             |       |             |      |       |      |             |       |             |      |       |      |       |       |       |       |             |       |       |      |       |       |       |       |             |       |       |      |             |       |       |      |             |       |             |      |       |       |       |       |             |       |       |      |       |       |       |      |             |       |       |       |       |      |       |       |       |       |       |       |       |       |       |      |       |      |       |       |       |       |       |       |       |       |       |      |       |      |       |      |       |      |       |      |       |      |       |      |       |      |       |      |       |      |       |      |       |      |       |      |       |      |       |      |       |      |       |      |       |      |       |      |       |      |       |      |      |      |      |      |      |      |      |      |      |      |
| 67            | 10081      | 22.16    | 1.68                   | 75          | 8994    | 19.77         | 1.78       | 88          | 7665                   |             |         | 16.85       | 2.2   | 106         | 6351  | 13.96       | 2.5   | 124         | 5423  | 11.92       | 2.8   | 58          | 11600 | 25.50       | 0.97  | 69          | 9803  | 21.55       | 1.2   | 78          | 8648  | 19.01       | 1.2   | 90          | 7497  | 16.48       | 1.4   | 101         | 6674  | 14.67       | 1.5   | 117         | 5750  | 12.64       | 1.6   | 144         | 4672  | 10.27       | 1.9   | 169         | 3985  | 8.76        | 1.7   | 190         | 3544  | 7.79        | 1.6   | 220         | 3057  | 6.72        | 2.2   | 271         | 2484  | 5.46        | 2.3   | 320         | 2106  | 4.63        | 2.7   | <b>45kW</b> |       |             |       |             |       | <b>75kW</b> |       |             |       |             |       | 30          | 13426 | 49.19       | 0.84  | F 127       | 4     | 58          | 11600 | 25.50       | 0.97  |             |       | F 127       | 4     | 35          | 11595 |             |       |             |       | 42.48       | 0.97  |             |       |             |       | 39          | 10255 |             |       |             |       | 37.57       | 1.10  | 47          | 8620  |             |       |             |       | 31.58       | 1.31  |             |       |             |       | 58          | 6960  |             |       |             |       | 25.50       | 1.62  | 55          | 7391  |             |       |             |       | 26.92       | 1.08  | 60          | 6758  |             |       |       |       | 24.97       | 1.18  | 69    | 5882  |       |       |       |       | 21.55 | 1.92  | 78    | 5189  |       |       | 19.01 | 2.0   | 90    | 4498  | 16.48 | 2.3   | 101   | 4004  | 14.67 | 2.6   | 117   | 3450  | 12.64 | 2.7   | 144   | 2803  | 10.27       | 3.2   | 169   | 2391 | 8.76        | 2.8   | 190         | 2126 | 7.79        | 2.7   | 220         | 1834  | 6.72        | 3.6   | 271         | 1490 |             |       | 5.46        | 3.8   |             |       |             |       |             |       |             |       |             |       |             |       |             |       |             |       |             |       |             |       |             |       |             |       |             |       |             |       |             |       |             |       |             |       |             |       |       |       |             |       |             |       |             |       |       |       |             |       |             |       |             |       |       |       |             |       |             |       |       |       |       |       |             |       |             |       |       |       |             |       |             |      |       |       |             |       |             |       |       |      |             |       |             |       |             |       |             |       |             |       |             |       |             |       |             |       |             |       |             |       |             |       |             |       |             |       |             |       |       |       |             |       |       |       |       |       |       |       |       |       |       |       |       |       |       |       |       |      |             |       |       |       |             |       |             |       |             |       |             |       |             |       |             |       |       |       |             |       |       |       |       |       |             |       |             |       |             |       |             |      |             |       |             |      |             |       |             |       |             |       |             |       |             |       |             |       |             |       |             |       |             |       |             |       |             |       |             |       |             |       |             |       |             |       |             |       |             |       |             |       |             |       |       |       |             |       |             |       |             |       |       |       |             |       |             |       |       |       |       |       |             |       |       |      |       |       |             |       |             |       |       |       |             |       |       |       |             |       |       |       |             |       |       |       |       |       |             |       |             |       |       |       |       |       |             |       |             |       |       |       |             |       |             |       |             |       |             |       |             |       |             |      |       |       |             |       |       |       |       |       |             |       |       |       |             |       |       |      |       |       |             |       |       |       |       |       |             |       |       |       |       |      |       |       |             |       |             |       |       |      |       |       |             |       |       |       |       |       |             |       |       |      |       |       |       |      |             |       |       |      |       |      |       |       |       |      |       |       |             |       |       |      |       |      |             |       |       |      |             |       |             |       |             |      |       |      |             |       |             |      |       |      |       |       |       |       |             |       |       |      |       |       |       |       |             |       |       |      |             |       |       |      |             |       |             |      |       |       |       |       |             |       |       |      |       |       |       |      |             |       |       |       |       |      |       |       |       |       |       |       |       |       |       |      |       |      |       |       |       |       |       |       |       |       |       |      |       |      |       |      |       |      |       |      |       |      |       |      |       |      |       |      |       |      |       |      |       |      |       |      |       |      |       |      |       |      |       |      |       |      |       |      |       |      |       |      |      |      |      |      |      |      |      |      |      |      |
| 75            | 8994       | 19.77    | 1.78                   | 88          | 7665    | 16.85         | 2.2        | 106         | 6351                   |             |         | 13.96       | 2.5   | 124         | 5423  | 11.92       | 2.8   | 58          | 11600 | 25.50       | 0.97  | 69          | 9803  | 21.55       | 1.2   | 78          | 8648  | 19.01       | 1.2   | 90          | 7497  | 16.48       | 1.4   | 101         | 6674  | 14.67       | 1.5   | 117         | 5750  | 12.64       | 1.6   | 144         | 4672  | 10.27       | 1.9   | 169         | 3985  | 8.76        | 1.7   | 190         | 3544  | 7.79        | 1.6   | 220         | 3057  | 6.72        | 2.2   | 271         | 2484  | 5.46        | 2.3   | 320         | 2106  | 4.63        | 2.7   | <b>45kW</b> |       |             |       |             |       | <b>75kW</b> |       |             |       |             |       | 30          | 13426 | 49.19       | 0.84  | F 127       | 4     | 58          | 11600 |             |       | 25.50       | 0.97  | F 127       | 4     |             |       |             |       | 35          | 11595 |             |       |             |       | 42.48       | 0.97  |             |       |             |       | 39          | 10255 |             |       |             |       | 37.57       | 1.10  | 47          | 8620  |             |       |             |       | 31.58       | 1.31  |             |       |             |       | 58          | 6960  |             |       |             |       | 25.50       | 1.62  | 55          | 7391  |             |       |             |       | 26.92       | 1.08  | 60          | 6758  |             |       |       |       | 24.97       | 1.18  | 69    | 5882  |       |       |       |       | 21.55 | 1.92  | 78    | 5189  |       |       | 19.01 | 2.0   | 90    | 4498  | 16.48 | 2.3   | 101   | 4004  | 14.67 | 2.6   | 117   | 3450  | 12.64 | 2.7   | 144   | 2803  | 10.27       | 3.2   | 169   | 2391 | 8.76        | 2.8   | 190         | 2126 | 7.79        | 2.7   | 220         | 1834  | 6.72        | 3.6   | 271         | 1490 |             |       | 5.46        | 3.8   |             |       |             |       |             |       |             |       |             |       |             |       |             |       |             |       |             |       |             |       |             |       |             |       |             |       |             |       |             |       |             |       |             |       |             |       |       |       |             |       |             |       |             |       |       |       |             |       |             |       |             |       |       |       |             |       |             |       |       |       |       |       |             |       |             |       |       |       |             |       |             |      |       |       |             |       |             |       |       |      |             |       |             |       |             |       |             |       |             |       |             |       |             |       |             |       |             |       |             |       |             |       |             |       |             |       |             |       |       |       |             |       |       |       |       |       |       |       |       |       |       |       |       |       |       |       |       |      |             |       |       |       |             |       |             |       |             |       |             |       |             |       |             |       |       |       |             |       |       |       |       |       |             |       |             |       |             |       |             |      |             |       |             |      |             |       |             |       |             |       |             |       |             |       |             |       |             |       |             |       |             |       |             |       |             |       |             |       |             |       |             |       |             |       |             |       |             |       |             |       |             |       |       |       |             |       |             |       |             |       |       |       |             |       |             |       |       |       |       |       |             |       |       |      |       |       |             |       |             |       |       |       |             |       |       |       |             |       |       |       |             |       |       |       |       |       |             |       |             |       |       |       |       |       |             |       |             |       |       |       |             |       |             |       |             |       |             |       |             |       |             |      |       |       |             |       |       |       |       |       |             |       |       |       |             |       |       |      |       |       |             |       |       |       |       |       |             |       |       |       |       |      |       |       |             |       |             |       |       |      |       |       |             |       |       |       |       |       |             |       |       |      |       |       |       |      |             |       |       |      |       |      |       |       |       |      |       |       |             |       |       |      |       |      |             |       |       |      |             |       |             |       |             |      |       |      |             |       |             |      |       |      |       |       |       |       |             |       |       |      |       |       |       |       |             |       |       |      |             |       |       |      |             |       |             |      |       |       |       |       |             |       |       |      |       |       |       |      |             |       |       |       |       |      |       |       |       |       |       |       |       |       |       |      |       |      |       |       |       |       |       |       |       |       |       |      |       |      |       |      |       |      |       |      |       |      |       |      |       |      |       |      |       |      |       |      |       |      |       |      |       |      |       |      |       |      |       |      |       |      |       |      |       |      |       |      |      |      |      |      |      |      |      |      |      |      |
| 88            | 7665       | 16.85    | 2.2                    | 106         | 6351    | 13.96         | 2.5        | 124         | 5423                   |             |         | 11.92       | 2.8   | 58          | 11600 | 25.50       | 0.97  | 69          | 9803  | 21.55       | 1.2   | 78          | 8648  | 19.01       | 1.2   | 90          | 7497  | 16.48       | 1.4   | 101         | 6674  | 14.67       | 1.5   | 117         | 5750  | 12.64       | 1.6   | 144         | 4672  | 10.27       | 1.9   | 169         | 3985  | 8.76        | 1.7   | 190         | 3544  | 7.79        | 1.6   | 220         | 3057  | 6.72        | 2.2   | 271         | 2484  | 5.46        | 2.3   | 320         | 2106  | 4.63        | 2.7   | <b>45kW</b> |       |             |       |             |       | <b>75kW</b> |       |             |       |             |       | 30          | 13426 | 49.19       | 0.84  | F 127       | 4     | 58          | 11600 |             |       | 25.50       | 0.97  |             |       | F 127       | 4     |             |       |             |       |             |       | 35          | 11595 |             |       |             |       | 42.48       | 0.97  |             |       |             |       | 39          | 10255 |             |       |             |       | 37.57       | 1.10  | 47          | 8620  |             |       |             |       | 31.58       | 1.31  |             |       |             |       | 58          | 6960  |             |       |             |       | 25.50       | 1.62  | 55          | 7391  |             |       |             |       | 26.92       | 1.08  | 60          | 6758  |             |       |       |       | 24.97       | 1.18  | 69    | 5882  |       |       |       |       | 21.55 | 1.92  | 78    | 5189  |       |       | 19.01 | 2.0   | 90    | 4498  | 16.48 | 2.3   | 101   | 4004  | 14.67 | 2.6   | 117   | 3450  | 12.64 | 2.7   | 144   | 2803  | 10.27       | 3.2   | 169   | 2391 | 8.76        | 2.8   | 190         | 2126 | 7.79        | 2.7   | 220         | 1834  | 6.72        | 3.6   | 271         | 1490 |             |       | 5.46        | 3.8   |             |       |             |       |             |       |             |       |             |       |             |       |             |       |             |       |             |       |             |       |             |       |             |       |             |       |             |       |             |       |             |       |             |       |             |       |       |       |             |       |             |       |             |       |       |       |             |       |             |       |             |       |       |       |             |       |             |       |       |       |       |       |             |       |             |       |       |       |             |       |             |      |       |       |             |       |             |       |       |      |             |       |             |       |             |       |             |       |             |       |             |       |             |       |             |       |             |       |             |       |             |       |             |       |             |       |             |       |       |       |             |       |       |       |       |       |       |       |       |       |       |       |       |       |       |       |       |      |             |       |       |       |             |       |             |       |             |       |             |       |             |       |             |       |       |       |             |       |       |       |       |       |             |       |             |       |             |       |             |      |             |       |             |      |             |       |             |       |             |       |             |       |             |       |             |       |             |       |             |       |             |       |             |       |             |       |             |       |             |       |             |       |             |       |             |       |             |       |             |       |             |       |       |       |             |       |             |       |             |       |       |       |             |       |             |       |       |       |       |       |             |       |       |      |       |       |             |       |             |       |       |       |             |       |       |       |             |       |       |       |             |       |       |       |       |       |             |       |             |       |       |       |       |       |             |       |             |       |       |       |             |       |             |       |             |       |             |       |             |       |             |      |       |       |             |       |       |       |       |       |             |       |       |       |             |       |       |      |       |       |             |       |       |       |       |       |             |       |       |       |       |      |       |       |             |       |             |       |       |      |       |       |             |       |       |       |       |       |             |       |       |      |       |       |       |      |             |       |       |      |       |      |       |       |       |      |       |       |             |       |       |      |       |      |             |       |       |      |             |       |             |       |             |      |       |      |             |       |             |      |       |      |       |       |       |       |             |       |       |      |       |       |       |       |             |       |       |      |             |       |       |      |             |       |             |      |       |       |       |       |             |       |       |      |       |       |       |      |             |       |       |       |       |      |       |       |       |       |       |       |       |       |       |      |       |      |       |       |       |       |       |       |       |       |       |      |       |      |       |      |       |      |       |      |       |      |       |      |       |      |       |      |       |      |       |      |       |      |       |      |       |      |       |      |       |      |       |      |       |      |       |      |       |      |       |      |      |      |      |      |      |      |      |      |      |      |
| 106           | 6351       | 13.96    | 2.5                    | 124         | 5423    | 11.92         | 2.8        | 58          | 11600                  | 25.50       | 0.97    | 69          | 9803  | 21.55       | 1.2   | 78          | 8648  | 19.01       | 1.2   | 90          | 7497  | 16.48       | 1.4   | 101         | 6674  | 14.67       | 1.5   | 117         | 5750  | 12.64       | 1.6   | 144         | 4672  | 10.27       | 1.9   | 169         | 3985  | 8.76        | 1.7   | 190         | 3544  | 7.79        | 1.6   | 220         | 3057  | 6.72        | 2.2   | 271         | 2484  | 5.46        | 2.3   | 320         | 2106  | 4.63        | 2.7   | <b>45kW</b> |       |             |       |             |       | <b>75kW</b> |       |             |       |             |       | 30          | 13426 | 49.19       | 0.84  | F 127       | 4     | 58          | 11600 | 25.50       | 0.97  |             |       | F 127       | 4     |             |       | 35          | 11595 |             |       |             |       |             |       |             |       |             |       | 42.48       | 0.97  |             |       |             |       | 39          | 10255 |             |       |             |       | 37.57       | 1.10  |             |       |             |       | 47          | 8620  | 31.58       | 1.31  |             |       |             |       | 58          | 6960  |             |       |             |       | 25.50       | 1.62  |             |       |             |       | 55          | 7391  | 26.92       | 1.08  |             |       |             |       | 60          | 6758  | 24.97       | 1.18  |             |       |       |       | 69          | 5882  | 21.55 | 1.92  |       |       |       |       | 78    | 5189  | 19.01 | 2.0   |       |       | 90    | 4498  | 16.48 | 2.3   | 101   | 4004  | 14.67 | 2.6   | 117   | 3450  | 12.64 | 2.7   | 144   | 2803  | 10.27 | 3.2   | 169         | 2391  | 8.76  | 2.8  | 190         | 2126  | 7.79        | 2.7  | 220         | 1834  | 6.72        | 3.6   | 271         | 1490  | 5.46        | 3.8  |             |       |             |       |             |       |             |       |             |       |             |       |             |       |             |       |             |       |             |       |             |       |             |       |             |       |             |       |             |       |             |       |             |       |             |       |             |       |             |       |       |       |             |       |             |       |             |       |       |       |             |       |             |       |             |       |       |       |             |       |             |       |       |       |       |       |             |       |             |       |       |       |             |       |             |      |       |       |             |       |             |       |       |      |             |       |             |       |             |       |             |       |             |       |             |       |             |       |             |       |             |       |             |       |             |       |             |       |             |       |             |       |       |       |             |       |       |       |       |       |       |       |       |       |       |       |       |       |       |       |       |      |             |       |       |       |             |       |             |       |             |       |             |       |             |       |             |       |       |       |             |       |       |       |       |       |             |       |             |       |             |       |             |      |             |       |             |      |             |       |             |       |             |       |             |       |             |       |             |       |             |       |             |       |             |       |             |       |             |       |             |       |             |       |             |       |             |       |             |       |             |       |             |       |             |       |       |       |             |       |             |       |             |       |       |       |             |       |             |       |       |       |       |       |             |       |       |      |       |       |             |       |             |       |       |       |             |       |       |       |             |       |       |       |             |       |       |       |       |       |             |       |             |       |       |       |       |       |             |       |             |       |       |       |             |       |             |       |             |       |             |       |             |       |             |      |       |       |             |       |       |       |       |       |             |       |       |       |             |       |       |      |       |       |             |       |       |       |       |       |             |       |       |       |       |      |       |       |             |       |             |       |       |      |       |       |             |       |       |       |       |       |             |       |       |      |       |       |       |      |             |       |       |      |       |      |       |       |       |      |       |       |             |       |       |      |       |      |             |       |       |      |             |       |             |       |             |      |       |      |             |       |             |      |       |      |       |       |       |       |             |       |       |      |       |       |       |       |             |       |       |      |             |       |       |      |             |       |             |      |       |       |       |       |             |       |       |      |       |       |       |      |             |       |       |       |       |      |       |       |       |       |       |       |       |       |       |      |       |      |       |       |       |       |       |       |       |       |       |      |       |      |       |      |       |      |       |      |       |      |       |      |       |      |       |      |       |      |       |      |       |      |       |      |       |      |       |      |       |      |       |      |       |      |       |      |       |      |       |      |      |      |      |      |      |      |      |      |      |      |
| 124           | 5423       | 11.92    | 2.8                    | 58          | 11600   | 25.50         | 0.97       | 69          | 9803                   | 21.55       | 1.2     | 78          | 8648  | 19.01       | 1.2   | 90          | 7497  | 16.48       | 1.4   | 101         | 6674  | 14.67       | 1.5   | 117         | 5750  | 12.64       | 1.6   | 144         | 4672  | 10.27       | 1.9   | 169         | 3985  | 8.76        | 1.7   | 190         | 3544  | 7.79        | 1.6   | 220         | 3057  | 6.72        | 2.2   | 271         | 2484  | 5.46        | 2.3   | 320         | 2106  | 4.63        | 2.7   | <b>45kW</b> |       |             |       |             |       | <b>75kW</b> |       |             |       |             |       | 30          | 13426 | 49.19       | 0.84  | F 127       | 4     | 58          | 11600 |             |       | 25.50       | 0.97  | F 127       | 4     |             |       |             |       |             |       | 35          | 11595 |             |       |             |       |             |       |             |       |             |       | 42.48       | 0.97  |             |       |             |       | 39          | 10255 |             |       |             |       | 37.57       | 1.10  |             |       |             |       | 47          | 8620  | 31.58       | 1.31  |             |       |             |       | 58          | 6960  |             |       |             |       | 25.50       | 1.62  |             |       |             |       | 55          | 7391  | 26.92       | 1.08  |             |       |             |       | 60          | 6758  | 24.97       | 1.18  |             |       |       |       | 69          | 5882  | 21.55 | 1.92  |       |       |       |       | 78    | 5189  | 19.01 | 2.0   |       |       | 90    | 4498  | 16.48 | 2.3   | 101   | 4004  | 14.67 | 2.6   | 117   | 3450  | 12.64 | 2.7   | 144   | 2803  | 10.27 | 3.2   | 169         | 2391  | 8.76  | 2.8  | 190         | 2126  | 7.79        | 2.7  | 220         | 1834  | 6.72        | 3.6   | 271         | 1490  | 5.46        | 3.8  |             |       |             |       |             |       |             |       |             |       |             |       |             |       |             |       |             |       |             |       |             |       |             |       |             |       |             |       |             |       |             |       |             |       |             |       |             |       |             |       |       |       |             |       |             |       |             |       |       |       |             |       |             |       |             |       |       |       |             |       |             |       |       |       |       |       |             |       |             |       |       |       |             |       |             |      |       |       |             |       |             |       |       |      |             |       |             |       |             |       |             |       |             |       |             |       |             |       |             |       |             |       |             |       |             |       |             |       |             |       |             |       |       |       |             |       |       |       |       |       |       |       |       |       |       |       |       |       |       |       |       |      |             |       |       |       |             |       |             |       |             |       |             |       |             |       |             |       |       |       |             |       |       |       |       |       |             |       |             |       |             |       |             |      |             |       |             |      |             |       |             |       |             |       |             |       |             |       |             |       |             |       |             |       |             |       |             |       |             |       |             |       |             |       |             |       |             |       |             |       |             |       |             |       |             |       |       |       |             |       |             |       |             |       |       |       |             |       |             |       |       |       |       |       |             |       |       |      |       |       |             |       |             |       |       |       |             |       |       |       |             |       |       |       |             |       |       |       |       |       |             |       |             |       |       |       |       |       |             |       |             |       |       |       |             |       |             |       |             |       |             |       |             |       |             |      |       |       |             |       |       |       |       |       |             |       |       |       |             |       |       |      |       |       |             |       |       |       |       |       |             |       |       |       |       |      |       |       |             |       |             |       |       |      |       |       |             |       |       |       |       |       |             |       |       |      |       |       |       |      |             |       |       |      |       |      |       |       |       |      |       |       |             |       |       |      |       |      |             |       |       |      |             |       |             |       |             |      |       |      |             |       |             |      |       |      |       |       |       |       |             |       |       |      |       |       |       |       |             |       |       |      |             |       |       |      |             |       |             |      |       |       |       |       |             |       |       |      |       |       |       |      |             |       |       |       |       |      |       |       |       |       |       |       |       |       |       |      |       |      |       |       |       |       |       |       |       |       |       |      |       |      |       |      |       |      |       |      |       |      |       |      |       |      |       |      |       |      |       |      |       |      |       |      |       |      |       |      |       |      |       |      |       |      |       |      |       |      |       |      |      |      |      |      |      |      |      |      |      |      |
| 58            | 11600      | 25.50    | 0.97                   | 69          | 9803    | 21.55         | 1.2        | 78          | 8648                   | 19.01       | 1.2     | 90          | 7497  | 16.48       | 1.4   | 101         | 6674  | 14.67       | 1.5   | 117         | 5750  | 12.64       | 1.6   | 144         | 4672  | 10.27       | 1.9   | 169         | 3985  | 8.76        | 1.7   | 190         | 3544  | 7.79        | 1.6   | 220         | 3057  | 6.72        | 2.2   | 271         | 2484  | 5.46        | 2.3   | 320         | 2106  | 4.63        | 2.7   | <b>45kW</b> |       |             |       |             |       | <b>75kW</b> |       |             |       |             |       | 30          | 13426 | 49.19       | 0.84  | F 127       | 4     | 58          | 11600 |             |       | 25.50       | 0.97  |             |       | F 127       | 4     |             |       |             |       |             |       |             |       | 35          | 11595 |             |       |             |       |             |       |             |       |             |       | 42.48       | 0.97  |             |       |             |       | 39          | 10255 |             |       |             |       | 37.57       | 1.10  |             |       |             |       | 47          | 8620  | 31.58       | 1.31  |             |       |             |       | 58          | 6960  |             |       |             |       | 25.50       | 1.62  |             |       |             |       | 55          | 7391  | 26.92       | 1.08  |             |       |             |       | 60          | 6758  | 24.97       | 1.18  |             |       |       |       | 69          | 5882  | 21.55 | 1.92  |       |       |       |       | 78    | 5189  | 19.01 | 2.0   |       |       | 90    | 4498  | 16.48 | 2.3   | 101   | 4004  | 14.67 | 2.6   | 117   | 3450  | 12.64 | 2.7   | 144   | 2803  | 10.27 | 3.2   | 169         | 2391  | 8.76  | 2.8  | 190         | 2126  | 7.79        | 2.7  | 220         | 1834  | 6.72        | 3.6   | 271         | 1490  | 5.46        | 3.8  |             |       |             |       |             |       |             |       |             |       |             |       |             |       |             |       |             |       |             |       |             |       |             |       |             |       |             |       |             |       |             |       |             |       |             |       |             |       |             |       |       |       |             |       |             |       |             |       |       |       |             |       |             |       |             |       |       |       |             |       |             |       |       |       |       |       |             |       |             |       |       |       |             |       |             |      |       |       |             |       |             |       |       |      |             |       |             |       |             |       |             |       |             |       |             |       |             |       |             |       |             |       |             |       |             |       |             |       |             |       |             |       |       |       |             |       |       |       |       |       |       |       |       |       |       |       |       |       |       |       |       |      |             |       |       |       |             |       |             |       |             |       |             |       |             |       |             |       |       |       |             |       |       |       |       |       |             |       |             |       |             |       |             |      |             |       |             |      |             |       |             |       |             |       |             |       |             |       |             |       |             |       |             |       |             |       |             |       |             |       |             |       |             |       |             |       |             |       |             |       |             |       |             |       |             |       |       |       |             |       |             |       |             |       |       |       |             |       |             |       |       |       |       |       |             |       |       |      |       |       |             |       |             |       |       |       |             |       |       |       |             |       |       |       |             |       |       |       |       |       |             |       |             |       |       |       |       |       |             |       |             |       |       |       |             |       |             |       |             |       |             |       |             |       |             |      |       |       |             |       |       |       |       |       |             |       |       |       |             |       |       |      |       |       |             |       |       |       |       |       |             |       |       |       |       |      |       |       |             |       |             |       |       |      |       |       |             |       |       |       |       |       |             |       |       |      |       |       |       |      |             |       |       |      |       |      |       |       |       |      |       |       |             |       |       |      |       |      |             |       |       |      |             |       |             |       |             |      |       |      |             |       |             |      |       |      |       |       |       |       |             |       |       |      |       |       |       |       |             |       |       |      |             |       |       |      |             |       |             |      |       |       |       |       |             |       |       |      |       |       |       |      |             |       |       |       |       |      |       |       |       |       |       |       |       |       |       |      |       |      |       |       |       |       |       |       |       |       |       |      |       |      |       |      |       |      |       |      |       |      |       |      |       |      |       |      |       |      |       |      |       |      |       |      |       |      |       |      |       |      |       |      |       |      |       |      |       |      |       |      |      |      |      |      |      |      |      |      |      |      |
| 69            | 9803       | 21.55    | 1.2                    | 78          | 8648    | 19.01         | 1.2        | 90          | 7497                   | 16.48       | 1.4     | 101         | 6674  | 14.67       | 1.5   | 117         | 5750  | 12.64       | 1.6   | 144         | 4672  | 10.27       | 1.9   | 169         | 3985  | 8.76        | 1.7   | 190         | 3544  | 7.79        | 1.6   | 220         | 3057  | 6.72        | 2.2   | 271         | 2484  | 5.46        | 2.3   | 320         | 2106  | 4.63        | 2.7   | <b>45kW</b> |       |             |       |             |       | <b>75kW</b> |       |             |       |             |       | 30          | 13426 | 49.19       | 0.84  | F 127       | 4     | 58          | 11600 |             |       | 25.50       | 0.97  |             |       | F 127       | 4     |             |       |             |       |             |       |             |       |             |       |             |       | 35          | 11595 |             |       |             |       |             |       |             |       |             |       | 42.48       | 0.97  |             |       |             |       | 39          | 10255 |             |       |             |       | 37.57       | 1.10  |             |       |             |       | 47          | 8620  | 31.58       | 1.31  |             |       |             |       | 58          | 6960  |             |       |             |       | 25.50       | 1.62  |             |       |             |       | 55          | 7391  | 26.92       | 1.08  |             |       |             |       | 60          | 6758  | 24.97       | 1.18  |             |       |       |       | 69          | 5882  | 21.55 | 1.92  |       |       |       |       | 78    | 5189  | 19.01 | 2.0   |       |       | 90    | 4498  | 16.48 | 2.3   | 101   | 4004  | 14.67 | 2.6   | 117   | 3450  | 12.64 | 2.7   | 144   | 2803  | 10.27 | 3.2   | 169         | 2391  | 8.76  | 2.8  | 190         | 2126  | 7.79        | 2.7  | 220         | 1834  | 6.72        | 3.6   | 271         | 1490  | 5.46        | 3.8  |             |       |             |       |             |       |             |       |             |       |             |       |             |       |             |       |             |       |             |       |             |       |             |       |             |       |             |       |             |       |             |       |             |       |             |       |             |       |             |       |       |       |             |       |             |       |             |       |       |       |             |       |             |       |             |       |       |       |             |       |             |       |       |       |       |       |             |       |             |       |       |       |             |       |             |      |       |       |             |       |             |       |       |      |             |       |             |       |             |       |             |       |             |       |             |       |             |       |             |       |             |       |             |       |             |       |             |       |             |       |             |       |       |       |             |       |       |       |       |       |       |       |       |       |       |       |       |       |       |       |       |      |             |       |       |       |             |       |             |       |             |       |             |       |             |       |             |       |       |       |             |       |       |       |       |       |             |       |             |       |             |       |             |      |             |       |             |      |             |       |             |       |             |       |             |       |             |       |             |       |             |       |             |       |             |       |             |       |             |       |             |       |             |       |             |       |             |       |             |       |             |       |             |       |             |       |       |       |             |       |             |       |             |       |       |       |             |       |             |       |       |       |       |       |             |       |       |      |       |       |             |       |             |       |       |       |             |       |       |       |             |       |       |       |             |       |       |       |       |       |             |       |             |       |       |       |       |       |             |       |             |       |       |       |             |       |             |       |             |       |             |       |             |       |             |      |       |       |             |       |       |       |       |       |             |       |       |       |             |       |       |      |       |       |             |       |       |       |       |       |             |       |       |       |       |      |       |       |             |       |             |       |       |      |       |       |             |       |       |       |       |       |             |       |       |      |       |       |       |      |             |       |       |      |       |      |       |       |       |      |       |       |             |       |       |      |       |      |             |       |       |      |             |       |             |       |             |      |       |      |             |       |             |      |       |      |       |       |       |       |             |       |       |      |       |       |       |       |             |       |       |      |             |       |       |      |             |       |             |      |       |       |       |       |             |       |       |      |       |       |       |      |             |       |       |       |       |      |       |       |       |       |       |       |       |       |       |      |       |      |       |       |       |       |       |       |       |       |       |      |       |      |       |      |       |      |       |      |       |      |       |      |       |      |       |      |       |      |       |      |       |      |       |      |       |      |       |      |       |      |       |      |       |      |       |      |       |      |       |      |      |      |      |      |      |      |      |      |      |      |
| 78            | 8648       | 19.01    | 1.2                    | 90          | 7497    | 16.48         | 1.4        | 101         | 6674                   | 14.67       | 1.5     | 117         | 5750  | 12.64       | 1.6   | 144         | 4672  | 10.27       | 1.9   | 169         | 3985  | 8.76        | 1.7   | 190         | 3544  | 7.79        | 1.6   | 220         | 3057  | 6.72        | 2.2   | 271         | 2484  | 5.46        | 2.3   | 320         | 2106  | 4.63        | 2.7   | <b>45kW</b> |       |             |       |             |       | <b>75kW</b> |       |             |       |             |       | 30          | 13426 | 49.19       | 0.84  | F 127       | 4     | 58          | 11600 |             |       | 25.50       | 0.97  |             |       | F 127       | 4     |             |       |             |       |             |       |             |       |             |       |             |       |             |       |             |       | 35          | 11595 |             |       |             |       |             |       |             |       |             |       | 42.48       | 0.97  |             |       |             |       | 39          | 10255 |             |       |             |       | 37.57       | 1.10  |             |       |             |       | 47          | 8620  | 31.58       | 1.31  |             |       |             |       | 58          | 6960  |             |       |             |       | 25.50       | 1.62  |             |       |             |       | 55          | 7391  | 26.92       | 1.08  |             |       |             |       | 60          | 6758  | 24.97       | 1.18  |             |       |       |       | 69          | 5882  | 21.55 | 1.92  |       |       |       |       | 78    | 5189  | 19.01 | 2.0   |       |       | 90    | 4498  | 16.48 | 2.3   | 101   | 4004  | 14.67 | 2.6   | 117   | 3450  | 12.64 | 2.7   | 144   | 2803  | 10.27 | 3.2   | 169         | 2391  | 8.76  | 2.8  | 190         | 2126  | 7.79        | 2.7  | 220         | 1834  | 6.72        | 3.6   | 271         | 1490  | 5.46        | 3.8  |             |       |             |       |             |       |             |       |             |       |             |       |             |       |             |       |             |       |             |       |             |       |             |       |             |       |             |       |             |       |             |       |             |       |             |       |             |       |             |       |       |       |             |       |             |       |             |       |       |       |             |       |             |       |             |       |       |       |             |       |             |       |       |       |       |       |             |       |             |       |       |       |             |       |             |      |       |       |             |       |             |       |       |      |             |       |             |       |             |       |             |       |             |       |             |       |             |       |             |       |             |       |             |       |             |       |             |       |             |       |             |       |       |       |             |       |       |       |       |       |       |       |       |       |       |       |       |       |       |       |       |      |             |       |       |       |             |       |             |       |             |       |             |       |             |       |             |       |       |       |             |       |       |       |       |       |             |       |             |       |             |       |             |      |             |       |             |      |             |       |             |       |             |       |             |       |             |       |             |       |             |       |             |       |             |       |             |       |             |       |             |       |             |       |             |       |             |       |             |       |             |       |             |       |             |       |       |       |             |       |             |       |             |       |       |       |             |       |             |       |       |       |       |       |             |       |       |      |       |       |             |       |             |       |       |       |             |       |       |       |             |       |       |       |             |       |       |       |       |       |             |       |             |       |       |       |       |       |             |       |             |       |       |       |             |       |             |       |             |       |             |       |             |       |             |      |       |       |             |       |       |       |       |       |             |       |       |       |             |       |       |      |       |       |             |       |       |       |       |       |             |       |       |       |       |      |       |       |             |       |             |       |       |      |       |       |             |       |       |       |       |       |             |       |       |      |       |       |       |      |             |       |       |      |       |      |       |       |       |      |       |       |             |       |       |      |       |      |             |       |       |      |             |       |             |       |             |      |       |      |             |       |             |      |       |      |       |       |       |       |             |       |       |      |       |       |       |       |             |       |       |      |             |       |       |      |             |       |             |      |       |       |       |       |             |       |       |      |       |       |       |      |             |       |       |       |       |      |       |       |       |       |       |       |       |       |       |      |       |      |       |       |       |       |       |       |       |       |       |      |       |      |       |      |       |      |       |      |       |      |       |      |       |      |       |      |       |      |       |      |       |      |       |      |       |      |       |      |       |      |       |      |       |      |       |      |       |      |       |      |      |      |      |      |      |      |      |      |      |      |
| 90            | 7497       | 16.48    | 1.4                    | 101         | 6674    | 14.67         | 1.5        | 117         | 5750                   | 12.64       | 1.6     | 144         | 4672  | 10.27       | 1.9   | 169         | 3985  | 8.76        | 1.7   | 190         | 3544  | 7.79        | 1.6   | 220         | 3057  | 6.72        | 2.2   | 271         | 2484  | 5.46        | 2.3   | 320         | 2106  | 4.63        | 2.7   | <b>45kW</b> |       |             |       |             |       | <b>75kW</b> |       |             |       |             |       | 30          | 13426 | 49.19       | 0.84  | F 127       | 4     | 58          | 11600 |             |       | 25.50       | 0.97  |             |       | F 127       | 4     |             |       |             |       |             |       |             |       |             |       |             |       |             |       |             |       |             |       |             |       | 35          | 11595 |             |       |             |       |             |       |             |       |             |       | 42.48       | 0.97  |             |       |             |       | 39          | 10255 |             |       |             |       | 37.57       | 1.10  |             |       |             |       | 47          | 8620  | 31.58       | 1.31  |             |       |             |       | 58          | 6960  |             |       |             |       | 25.50       | 1.62  |             |       |             |       | 55          | 7391  | 26.92       | 1.08  |             |       |             |       | 60          | 6758  | 24.97       | 1.18  |             |       |       |       | 69          | 5882  | 21.55 | 1.92  |       |       | 78    | 5189  | 19.01 | 2.0   | 90    | 4498  | 16.48 | 2.3   | 101   | 4004  | 14.67 | 2.6   | 117   | 3450  | 12.64 | 2.7   | 144   | 2803  | 10.27 | 3.2   | 169   | 2391  | 8.76  | 2.8   | 190         | 2126  | 7.79  | 2.7  | 220         | 1834  | 6.72        | 3.6  | 271         | 1490  | 5.46        | 3.8   |             |       |             |      |             |       |             |       |             |       |             |       |             |       |             |       |             |       |             |       |             |       |             |       |             |       |             |       |             |       |             |       |             |       |             |       |             |       |             |       |             |       |             |       |       |       |             |       |             |       |             |       |       |       |             |       |             |       |             |       |       |       |             |       |             |       |       |       |       |       |             |       |             |       |       |       |             |       |             |      |       |       |             |       |             |       |       |      |             |       |             |       |             |       |             |       |             |       |             |       |             |       |             |       |             |       |             |       |             |       |             |       |             |       |             |       |       |       |             |       |       |       |       |       |       |       |       |       |       |       |       |       |       |       |       |      |             |       |       |       |             |       |             |       |             |       |             |       |             |       |             |       |       |       |             |       |       |       |       |       |             |       |             |       |             |       |             |      |             |       |             |      |             |       |             |       |             |       |             |       |             |       |             |       |             |       |             |       |             |       |             |       |             |       |             |       |             |       |             |       |             |       |             |       |             |       |             |       |             |       |       |       |             |       |             |       |             |       |       |       |             |       |             |       |       |       |       |       |             |       |       |      |       |       |             |       |             |       |       |       |             |       |       |       |             |       |       |       |             |       |       |       |       |       |             |       |             |       |       |       |       |       |             |       |             |       |       |       |             |       |             |       |             |       |             |       |             |       |             |      |       |       |             |       |       |       |       |       |             |       |       |       |             |       |       |      |       |       |             |       |       |       |       |       |             |       |       |       |       |      |       |       |             |       |             |       |       |      |       |       |             |       |       |       |       |       |             |       |       |      |       |       |       |      |             |       |       |      |       |      |       |       |       |      |       |       |             |       |       |      |       |      |             |       |       |      |             |       |             |       |             |      |       |      |             |       |             |      |       |      |       |       |       |       |             |       |       |      |       |       |       |       |             |       |       |      |             |       |       |      |             |       |             |      |       |       |       |       |             |       |       |      |       |       |       |      |             |       |       |       |       |      |       |       |       |       |       |       |       |       |       |      |       |      |       |       |       |       |       |       |       |       |       |      |       |      |       |      |       |      |       |      |       |      |       |      |       |      |       |      |       |      |       |      |       |      |       |      |       |      |       |      |       |      |       |      |       |      |       |      |       |      |       |      |      |      |      |      |      |      |      |      |      |      |
| 101           | 6674       | 14.67    | 1.5                    | 117         | 5750    | 12.64         | 1.6        | 144         | 4672                   | 10.27       | 1.9     | 169         | 3985  | 8.76        | 1.7   | 190         | 3544  | 7.79        | 1.6   | 220         | 3057  | 6.72        | 2.2   | 271         | 2484  | 5.46        | 2.3   | 320         | 2106  | 4.63        | 2.7   | <b>45kW</b> |       |             |       |             |       | <b>75kW</b> |       |             |       |             |       | 30          | 13426 | 49.19       | 0.84  | F 127       | 4     | 58          | 11600 |             |       | 25.50       | 0.97  |             |       | F 127       | 4     |             |       |             |       |             |       |             |       |             |       |             |       |             |       |             |       |             |       |             |       |             |       |             |       | 35          | 11595 |             |       |             |       |             |       |             |       |             |       | 42.48       | 0.97  |             |       |             |       | 39          | 10255 |             |       |             |       | 37.57       | 1.10  |             |       |             |       | 47          | 8620  | 31.58       | 1.31  |             |       |             |       | 58          | 6960  |             |       |             |       | 25.50       | 1.62  |             |       |             |       | 55          | 7391  | 26.92       | 1.08  |             |       |             |       | 60          | 6758  | 24.97       | 1.18  |             |       | 69    | 5882  | 21.55       | 1.92  | 78    | 5189  | 19.01 | 2.0   | 90    | 4498  | 16.48 | 2.3   | 101   | 4004  | 14.67 | 2.6   | 117   | 3450  | 12.64 | 2.7   | 144   | 2803  | 10.27 | 3.2   | 169   | 2391  | 8.76  | 2.8   | 190   | 2126  | 7.79  | 2.7   | 220         | 1834  | 6.72  | 3.6  | 271         | 1490  | 5.46        | 3.8  |             |       |             |       |             |       |             |      |             |       |             |       |             |       |             |       |             |       |             |       |             |       |             |       |             |       |             |       |             |       |             |       |             |       |             |       |             |       |             |       |             |       |             |       |             |       |             |       |       |       |             |       |             |       |             |       |       |       |             |       |             |       |             |       |       |       |             |       |             |       |       |       |       |       |             |       |             |       |       |       |             |       |             |      |       |       |             |       |             |       |       |      |             |       |             |       |             |       |             |       |             |       |             |       |             |       |             |       |             |       |             |       |             |       |             |       |             |       |             |       |       |       |             |       |       |       |       |       |       |       |       |       |       |       |       |       |       |       |       |      |             |       |       |       |             |       |             |       |             |       |             |       |             |       |             |       |       |       |             |       |       |       |       |       |             |       |             |       |             |       |             |      |             |       |             |      |             |       |             |       |             |       |             |       |             |       |             |       |             |       |             |       |             |       |             |       |             |       |             |       |             |       |             |       |             |       |             |       |             |       |             |       |             |       |       |       |             |       |             |       |             |       |       |       |             |       |             |       |       |       |       |       |             |       |       |      |       |       |             |       |             |       |       |       |             |       |       |       |             |       |       |       |             |       |       |       |       |       |             |       |             |       |       |       |       |       |             |       |             |       |       |       |             |       |             |       |             |       |             |       |             |       |             |      |       |       |             |       |       |       |       |       |             |       |       |       |             |       |       |      |       |       |             |       |       |       |       |       |             |       |       |       |       |      |       |       |             |       |             |       |       |      |       |       |             |       |       |       |       |       |             |       |       |      |       |       |       |      |             |       |       |      |       |      |       |       |       |      |       |       |             |       |       |      |       |      |             |       |       |      |             |       |             |       |             |      |       |      |             |       |             |      |       |      |       |       |       |       |             |       |       |      |       |       |       |       |             |       |       |      |             |       |       |      |             |       |             |      |       |       |       |       |             |       |       |      |       |       |       |      |             |       |       |       |       |      |       |       |       |       |       |       |       |       |       |      |       |      |       |       |       |       |       |       |       |       |       |      |       |      |       |      |       |      |       |      |       |      |       |      |       |      |       |      |       |      |       |      |       |      |       |      |       |      |       |      |       |      |       |      |       |      |       |      |       |      |       |      |      |      |      |      |      |      |      |      |      |      |
| 117           | 5750       | 12.64    | 1.6                    | 144         | 4672    | 10.27         | 1.9        | 169         | 3985                   | 8.76        | 1.7     | 190         | 3544  | 7.79        | 1.6   | 220         | 3057  | 6.72        | 2.2   | 271         | 2484  | 5.46        | 2.3   | 320         | 2106  | 4.63        | 2.7   | <b>45kW</b> |       |             |       |             |       | <b>75kW</b> |       |             |       |             |       | 30          | 13426 | 49.19       | 0.84  | F 127       | 4     | 58          | 11600 |             |       | 25.50       | 0.97  |             |       | F 127       | 4     |             |       |             |       |             |       |             |       |             |       |             |       |             |       |             |       |             |       |             |       |             |       |             |       |             |       |             |       | 35          | 11595 |             |       |             |       |             |       |             |       |             |       | 42.48       | 0.97  |             |       |             |       | 39          | 10255 |             |       |             |       | 37.57       | 1.10  |             |       |             |       | 47          | 8620  | 31.58       | 1.31  |             |       |             |       | 58          | 6960  |             |       |             |       | 25.50       | 1.62  |             |       |             |       | 55          | 7391  | 26.92       | 1.08  |             |       | 60          | 6758  | 24.97       | 1.18  | 69          | 5882  | 21.55       | 1.92  | 78    | 5189  | 19.01       | 2.0   | 90    | 4498  | 16.48 | 2.3   | 101   | 4004  | 14.67 | 2.6   | 117   | 3450  | 12.64 | 2.7   | 144   | 2803  | 10.27 | 3.2   | 169   | 2391  | 8.76  | 2.8   | 190   | 2126  | 7.79  | 2.7   | 220   | 1834  | 6.72  | 3.6   | 271         | 1490  | 5.46  | 3.8  |             |       |             |      |             |       |             |       |             |       |             |      |             |       |             |       |             |       |             |       |             |       |             |       |             |       |             |       |             |       |             |       |             |       |             |       |             |       |             |       |             |       |             |       |             |       |             |       |             |       |             |       |       |       |             |       |             |       |             |       |       |       |             |       |             |       |             |       |       |       |             |       |             |       |       |       |       |       |             |       |             |       |       |       |             |       |             |      |       |       |             |       |             |       |       |      |             |       |             |       |             |       |             |       |             |       |             |       |             |       |             |       |             |       |             |       |             |       |             |       |             |       |             |       |       |       |             |       |       |       |       |       |       |       |       |       |       |       |       |       |       |       |       |      |             |       |       |       |             |       |             |       |             |       |             |       |             |       |             |       |       |       |             |       |       |       |       |       |             |       |             |       |             |       |             |      |             |       |             |      |             |       |             |       |             |       |             |       |             |       |             |       |             |       |             |       |             |       |             |       |             |       |             |       |             |       |             |       |             |       |             |       |             |       |             |       |             |       |       |       |             |       |             |       |             |       |       |       |             |       |             |       |       |       |       |       |             |       |       |      |       |       |             |       |             |       |       |       |             |       |       |       |             |       |       |       |             |       |       |       |       |       |             |       |             |       |       |       |       |       |             |       |             |       |       |       |             |       |             |       |             |       |             |       |             |       |             |      |       |       |             |       |       |       |       |       |             |       |       |       |             |       |       |      |       |       |             |       |       |       |       |       |             |       |       |       |       |      |       |       |             |       |             |       |       |      |       |       |             |       |       |       |       |       |             |       |       |      |       |       |       |      |             |       |       |      |       |      |       |       |       |      |       |       |             |       |       |      |       |      |             |       |       |      |             |       |             |       |             |      |       |      |             |       |             |      |       |      |       |       |       |       |             |       |       |      |       |       |       |       |             |       |       |      |             |       |       |      |             |       |             |      |       |       |       |       |             |       |       |      |       |       |       |      |             |       |       |       |       |      |       |       |       |       |       |       |       |       |       |      |       |      |       |       |       |       |       |       |       |       |       |      |       |      |       |      |       |      |       |      |       |      |       |      |       |      |       |      |       |      |       |      |       |      |       |      |       |      |       |      |       |      |       |      |       |      |       |      |       |      |       |      |      |      |      |      |      |      |      |      |      |      |
| 144           | 4672       | 10.27    | 1.9                    | 169         | 3985    | 8.76          | 1.7        | 190         | 3544                   | 7.79        | 1.6     | 220         | 3057  | 6.72        | 2.2   | 271         | 2484  | 5.46        | 2.3   | 320         | 2106  | 4.63        | 2.7   | <b>45kW</b> |       |             |       |             |       | <b>75kW</b> |       |             |       |             |       | 30          | 13426 | 49.19       | 0.84  | F 127       | 4     | 58          | 11600 |             |       | 25.50       | 0.97  |             |       | F 127       | 4     |             |       |             |       |             |       |             |       |             |       |             |       |             |       |             |       |             |       |             |       |             |       |             |       |             |       |             |       |             |       |             |       | 35          | 11595 |             |       |             |       |             |       |             |       |             |       | 42.48       | 0.97  |             |       |             |       | 39          | 10255 |             |       |             |       | 37.57       | 1.10  |             |       |             |       | 47          | 8620  | 31.58       | 1.31  |             |       |             |       | 58          | 6960  |             |       |             |       | 25.50       | 1.62  |             |       | 55          | 7391  | 26.92       | 1.08  | 60          | 6758  | 24.97       | 1.18  | 69          | 5882  | 21.55       | 1.92  | 78          | 5189  | 19.01       | 2.0   | 90    | 4498  | 16.48       | 2.3   | 101   | 4004  | 14.67 | 2.6   | 117   | 3450  | 12.64 | 2.7   | 144   | 2803  | 10.27 | 3.2   | 169   | 2391  | 8.76  | 2.8   | 190   | 2126  | 7.79  | 2.7   | 220   | 1834  | 6.72  | 3.6   | 271   | 1490  | 5.46  | 3.8   |             |       |       |      |             |       |             |      |             |       |             |       |             |       |             |      |             |       |             |       |             |       |             |       |             |       |             |       |             |       |             |       |             |       |             |       |             |       |             |       |             |       |             |       |             |       |             |       |             |       |             |       |             |       |             |       |       |       |             |       |             |       |             |       |       |       |             |       |             |       |             |       |       |       |             |       |             |       |       |       |       |       |             |       |             |       |       |       |             |       |             |      |       |       |             |       |             |       |       |      |             |       |             |       |             |       |             |       |             |       |             |       |             |       |             |       |             |       |             |       |             |       |             |       |             |       |             |       |       |       |             |       |       |       |       |       |       |       |       |       |       |       |       |       |       |       |       |      |             |       |       |       |             |       |             |       |             |       |             |       |             |       |             |       |       |       |             |       |       |       |       |       |             |       |             |       |             |       |             |      |             |       |             |      |             |       |             |       |             |       |             |       |             |       |             |       |             |       |             |       |             |       |             |       |             |       |             |       |             |       |             |       |             |       |             |       |             |       |             |       |             |       |       |       |             |       |             |       |             |       |       |       |             |       |             |       |       |       |       |       |             |       |       |      |       |       |             |       |             |       |       |       |             |       |       |       |             |       |       |       |             |       |       |       |       |       |             |       |             |       |       |       |       |       |             |       |             |       |       |       |             |       |             |       |             |       |             |       |             |       |             |      |       |       |             |       |       |       |       |       |             |       |       |       |             |       |       |      |       |       |             |       |       |       |       |       |             |       |       |       |       |      |       |       |             |       |             |       |       |      |       |       |             |       |       |       |       |       |             |       |       |      |       |       |       |      |             |       |       |      |       |      |       |       |       |      |       |       |             |       |       |      |       |      |             |       |       |      |             |       |             |       |             |      |       |      |             |       |             |      |       |      |       |       |       |       |             |       |       |      |       |       |       |       |             |       |       |      |             |       |       |      |             |       |             |      |       |       |       |       |             |       |       |      |       |       |       |      |             |       |       |       |       |      |       |       |       |       |       |       |       |       |       |      |       |      |       |       |       |       |       |       |       |       |       |      |       |      |       |      |       |      |       |      |       |      |       |      |       |      |       |      |       |      |       |      |       |      |       |      |       |      |       |      |       |      |       |      |       |      |       |      |       |      |       |      |      |      |      |      |      |      |      |      |      |      |
| 169           | 3985       | 8.76     | 1.7                    | 190         | 3544    | 7.79          | 1.6        | 220         | 3057                   | 6.72        | 2.2     | 271         | 2484  | 5.46        | 2.3   | 320         | 2106  | 4.63        | 2.7   | <b>45kW</b> |       |             |       |             |       | <b>75kW</b> |       |             |       |             |       | 30          | 13426 | 49.19       | 0.84  | F 127       | 4     | 58          | 11600 |             |       | 25.50       | 0.97  |             |       | F 127       | 4     |             |       |             |       |             |       |             |       |             |       |             |       |             |       |             |       |             |       |             |       |             |       |             |       |             |       |             |       |             |       |             |       |             |       |             |       | 35          | 11595 |             |       |             |       |             |       |             |       |             |       | 42.48       | 0.97  |             |       |             |       | 39          | 10255 |             |       |             |       | 37.57       | 1.10  |             |       |             |       | 47          | 8620  | 31.58       | 1.31  |             |       |             |       | 58          | 6960  | 25.50       | 1.62  |             |       | 55          | 7391  | 26.92       | 1.08  | 60          | 6758  | 24.97       | 1.18  | 69          | 5882  | 21.55       | 1.92  | 78          | 5189  | 19.01       | 2.0   | 90          | 4498  | 16.48       | 2.3   | 101   | 4004  | 14.67       | 2.6   | 117   | 3450  | 12.64 | 2.7   | 144   | 2803  | 10.27 | 3.2   | 169   | 2391  | 8.76  | 2.8   | 190   | 2126  | 7.79  | 2.7   | 220   | 1834  | 6.72  | 3.6   | 271   | 1490  | 5.46  | 3.8   |       |       |       |       |             |       |       |      |             |       |             |      |             |       |             |       |             |       |             |      |             |       |             |       |             |       |             |       |             |       |             |       |             |       |             |       |             |       |             |       |             |       |             |       |             |       |             |       |             |       |             |       |             |       |             |       |             |       |             |       |       |       |             |       |             |       |             |       |       |       |             |       |             |       |             |       |       |       |             |       |             |       |       |       |       |       |             |       |             |       |       |       |             |       |             |      |       |       |             |       |             |       |       |      |             |       |             |       |             |       |             |       |             |       |             |       |             |       |             |       |             |       |             |       |             |       |             |       |             |       |             |       |       |       |             |       |       |       |       |       |       |       |       |       |       |       |       |       |       |       |       |      |             |       |       |       |             |       |             |       |             |       |             |       |             |       |             |       |       |       |             |       |       |       |       |       |             |       |             |       |             |       |             |      |             |       |             |      |             |       |             |       |             |       |             |       |             |       |             |       |             |       |             |       |             |       |             |       |             |       |             |       |             |       |             |       |             |       |             |       |             |       |             |       |             |       |       |       |             |       |             |       |             |       |       |       |             |       |             |       |       |       |       |       |             |       |       |      |       |       |             |       |             |       |       |       |             |       |       |       |             |       |       |       |             |       |       |       |       |       |             |       |             |       |       |       |       |       |             |       |             |       |       |       |             |       |             |       |             |       |             |       |             |       |             |      |       |       |             |       |       |       |       |       |             |       |       |       |             |       |       |      |       |       |             |       |       |       |       |       |             |       |       |       |       |      |       |       |             |       |             |       |       |      |       |       |             |       |       |       |       |       |             |       |       |      |       |       |       |      |             |       |       |      |       |      |       |       |       |      |       |       |             |       |       |      |       |      |             |       |       |      |             |       |             |       |             |      |       |      |             |       |             |      |       |      |       |       |       |       |             |       |       |      |       |       |       |       |             |       |       |      |             |       |       |      |             |       |             |      |       |       |       |       |             |       |       |      |       |       |       |      |             |       |       |       |       |      |       |       |       |       |       |       |       |       |       |      |       |      |       |       |       |       |       |       |       |       |       |      |       |      |       |      |       |      |       |      |       |      |       |      |       |      |       |      |       |      |       |      |       |      |       |      |       |      |       |      |       |      |       |      |       |      |       |      |       |      |       |      |      |      |      |      |      |      |      |      |      |      |
| 190           | 3544       | 7.79     | 1.6                    | 220         | 3057    | 6.72          | 2.2        | 271         | 2484                   | 5.46        | 2.3     | 320         | 2106  | 4.63        | 2.7   | <b>45kW</b> |       |             |       |             |       | <b>75kW</b> |       |             |       |             |       | 30          | 13426 | 49.19       | 0.84  | F 127       | 4     | 58          | 11600 |             |       | 25.50       | 0.97  |             |       | F 127       | 4     |             |       |             |       |             |       |             |       |             |       |             |       |             |       |             |       |             |       |             |       |             |       |             |       |             |       |             |       |             |       |             |       |             |       |             |       |             |       |             |       | 35          | 11595 |             |       |             |       |             |       |             |       |             |       | 42.48       | 0.97  |             |       |             |       | 39          | 10255 |             |       |             |       | 37.57       | 1.10  |             |       |             |       | 47          | 8620  | 31.58       | 1.31  | 58          | 6960  |             |       | 25.50       | 1.62  | 55          | 7391  | 26.92       | 1.08  | 60          | 6758  | 24.97       | 1.18  | 69          | 5882  | 21.55       | 1.92  | 78          | 5189  | 19.01       | 2.0   | 90          | 4498  | 16.48       | 2.3   | 101         | 4004  | 14.67       | 2.6   | 117   | 3450  | 12.64       | 2.7   | 144   | 2803  | 10.27 | 3.2   | 169   | 2391  | 8.76  | 2.8   | 190   | 2126  | 7.79  | 2.7   | 220   | 1834  | 6.72  | 3.6   | 271   | 1490  | 5.46  | 3.8   |       |       |       |       |       |       |       |       |             |       |       |      |             |       |             |      |             |       |             |       |             |       |             |      |             |       |             |       |             |       |             |       |             |       |             |       |             |       |             |       |             |       |             |       |             |       |             |       |             |       |             |       |             |       |             |       |             |       |             |       |             |       |             |       |       |       |             |       |             |       |             |       |       |       |             |       |             |       |             |       |       |       |             |       |             |       |       |       |       |       |             |       |             |       |       |       |             |       |             |      |       |       |             |       |             |       |       |      |             |       |             |       |             |       |             |       |             |       |             |       |             |       |             |       |             |       |             |       |             |       |             |       |             |       |             |       |       |       |             |       |       |       |       |       |       |       |       |       |       |       |       |       |       |       |       |      |             |       |       |       |             |       |             |       |             |       |             |       |             |       |             |       |       |       |             |       |       |       |       |       |             |       |             |       |             |       |             |      |             |       |             |      |             |       |             |       |             |       |             |       |             |       |             |       |             |       |             |       |             |       |             |       |             |       |             |       |             |       |             |       |             |       |             |       |             |       |             |       |             |       |       |       |             |       |             |       |             |       |       |       |             |       |             |       |       |       |       |       |             |       |       |      |       |       |             |       |             |       |       |       |             |       |       |       |             |       |       |       |             |       |       |       |       |       |             |       |             |       |       |       |       |       |             |       |             |       |       |       |             |       |             |       |             |       |             |       |             |       |             |      |       |       |             |       |       |       |       |       |             |       |       |       |             |       |       |      |       |       |             |       |       |       |       |       |             |       |       |       |       |      |       |       |             |       |             |       |       |      |       |       |             |       |       |       |       |       |             |       |       |      |       |       |       |      |             |       |       |      |       |      |       |       |       |      |       |       |             |       |       |      |       |      |             |       |       |      |             |       |             |       |             |      |       |      |             |       |             |      |       |      |       |       |       |       |             |       |       |      |       |       |       |       |             |       |       |      |             |       |       |      |             |       |             |      |       |       |       |       |             |       |       |      |       |       |       |      |             |       |       |       |       |      |       |       |       |       |       |       |       |       |       |      |       |      |       |       |       |       |       |       |       |       |       |      |       |      |       |      |       |      |       |      |       |      |       |      |       |      |       |      |       |      |       |      |       |      |       |      |       |      |       |      |       |      |       |      |       |      |       |      |       |      |       |      |      |      |      |      |      |      |      |      |      |      |
| 220           | 3057       | 6.72     | 2.2                    | 271         | 2484    | 5.46          | 2.3        | 320         | 2106                   | 4.63        | 2.7     | <b>45kW</b> |       |             |       |             |       | <b>75kW</b> |       |             |       |             |       | 30          | 13426 | 49.19       | 0.84  | F 127       | 4     | 58          | 11600 |             |       | 25.50       | 0.97  |             |       | F 127       | 4     |             |       |             |       |             |       |             |       |             |       |             |       |             |       |             |       |             |       |             |       |             |       |             |       |             |       |             |       |             |       |             |       |             |       |             |       |             |       |             |       |             |       |             |       | 35          | 11595 |             |       |             |       |             |       |             |       |             |       | 42.48       | 0.97  |             |       |             |       | 39          | 10255 |             |       |             |       | 37.57       | 1.10  |             |       | 47          | 8620  | 31.58       | 1.31  | 58          | 6960  | 25.50       | 1.62  | 55          | 7391  | 26.92       | 1.08  | 60          | 6758  | 24.97       | 1.18  | 69          | 5882  | 21.55       | 1.92  | 78          | 5189  | 19.01       | 2.0   | 90          | 4498  | 16.48       | 2.3   | 101         | 4004  | 14.67       | 2.6   | 117         | 3450  | 12.64       | 2.7   | 144   | 2803  | 10.27       | 3.2   | 169   | 2391  | 8.76  | 2.8   | 190   | 2126  | 7.79  | 2.7   | 220   | 1834  | 6.72  | 3.6   | 271   | 1490  | 5.46  | 3.8   |       |       |       |       |       |       |       |       |       |       |       |       |             |       |       |      |             |       |             |      |             |       |             |       |             |       |             |      |             |       |             |       |             |       |             |       |             |       |             |       |             |       |             |       |             |       |             |       |             |       |             |       |             |       |             |       |             |       |             |       |             |       |             |       |             |       |             |       |       |       |             |       |             |       |             |       |       |       |             |       |             |       |             |       |       |       |             |       |             |       |       |       |       |       |             |       |             |       |       |       |             |       |             |      |       |       |             |       |             |       |       |      |             |       |             |       |             |       |             |       |             |       |             |       |             |       |             |       |             |       |             |       |             |       |             |       |             |       |             |       |       |       |             |       |       |       |       |       |       |       |       |       |       |       |       |       |       |       |       |      |             |       |       |       |             |       |             |       |             |       |             |       |             |       |             |       |       |       |             |       |       |       |       |       |             |       |             |       |             |       |             |      |             |       |             |      |             |       |             |       |             |       |             |       |             |       |             |       |             |       |             |       |             |       |             |       |             |       |             |       |             |       |             |       |             |       |             |       |             |       |             |       |             |       |       |       |             |       |             |       |             |       |       |       |             |       |             |       |       |       |       |       |             |       |       |      |       |       |             |       |             |       |       |       |             |       |       |       |             |       |       |       |             |       |       |       |       |       |             |       |             |       |       |       |       |       |             |       |             |       |       |       |             |       |             |       |             |       |             |       |             |       |             |      |       |       |             |       |       |       |       |       |             |       |       |       |             |       |       |      |       |       |             |       |       |       |       |       |             |       |       |       |       |      |       |       |             |       |             |       |       |      |       |       |             |       |       |       |       |       |             |       |       |      |       |       |       |      |             |       |       |      |       |      |       |       |       |      |       |       |             |       |       |      |       |      |             |       |       |      |             |       |             |       |             |      |       |      |             |       |             |      |       |      |       |       |       |       |             |       |       |      |       |       |       |       |             |       |       |      |             |       |       |      |             |       |             |      |       |       |       |       |             |       |       |      |       |       |       |      |             |       |       |       |       |      |       |       |       |       |       |       |       |       |       |      |       |      |       |       |       |       |       |       |       |       |       |      |       |      |       |      |       |      |       |      |       |      |       |      |       |      |       |      |       |      |       |      |       |      |       |      |       |      |       |      |       |      |       |      |       |      |       |      |       |      |       |      |      |      |      |      |      |      |      |      |      |      |
| 271           | 2484       | 5.46     | 2.3                    | 320         | 2106    | 4.63          | 2.7        | <b>45kW</b> |                        |             |         |             |       | <b>75kW</b> |       |             |       |             |       | 30          | 13426 | 49.19       | 0.84  | F 127       | 4     | 58          | 11600 |             |       | 25.50       | 0.97  |             |       | F 127       | 4     |             |       |             |       |             |       |             |       |             |       |             |       |             |       |             |       |             |       |             |       |             |       |             |       |             |       |             |       |             |       |             |       |             |       |             |       |             |       |             |       |             |       |             |       |             |       |             |       | 35          | 11595 |             |       |             |       |             |       |             |       |             |       | 42.48       | 0.97  |             |       |             |       | 39          | 10255 | 37.57       | 1.10  |             |       | 47          | 8620  | 31.58       | 1.31  | 58          | 6960  | 25.50       | 1.62  | 55          | 7391  | 26.92       | 1.08  | 60          | 6758  | 24.97       | 1.18  | 69          | 5882  | 21.55       | 1.92  | 78          | 5189  | 19.01       | 2.0   | 90          | 4498  | 16.48       | 2.3   | 101         | 4004  | 14.67       | 2.6   | 117         | 3450  | 12.64       | 2.7   | 144         | 2803  | 10.27       | 3.2   | 169   | 2391  | 8.76        | 2.8   | 190   | 2126  | 7.79  | 2.7   | 220   | 1834  | 6.72  | 3.6   | 271   | 1490  | 5.46  | 3.8   |       |       |       |       |       |       |       |       |       |       |       |       |       |       |       |       |             |       |       |      |             |       |             |      |             |       |             |       |             |       |             |      |             |       |             |       |             |       |             |       |             |       |             |       |             |       |             |       |             |       |             |       |             |       |             |       |             |       |             |       |             |       |             |       |             |       |             |       |             |       |             |       |       |       |             |       |             |       |             |       |       |       |             |       |             |       |             |       |       |       |             |       |             |       |       |       |       |       |             |       |             |       |       |       |             |       |             |      |       |       |             |       |             |       |       |      |             |       |             |       |             |       |             |       |             |       |             |       |             |       |             |       |             |       |             |       |             |       |             |       |             |       |             |       |       |       |             |       |       |       |       |       |       |       |       |       |       |       |       |       |       |       |       |      |             |       |       |       |             |       |             |       |             |       |             |       |             |       |             |       |       |       |             |       |       |       |       |       |             |       |             |       |             |       |             |      |             |       |             |      |             |       |             |       |             |       |             |       |             |       |             |       |             |       |             |       |             |       |             |       |             |       |             |       |             |       |             |       |             |       |             |       |             |       |             |       |             |       |       |       |             |       |             |       |             |       |       |       |             |       |             |       |       |       |       |       |             |       |       |      |       |       |             |       |             |       |       |       |             |       |       |       |             |       |       |       |             |       |       |       |       |       |             |       |             |       |       |       |       |       |             |       |             |       |       |       |             |       |             |       |             |       |             |       |             |       |             |      |       |       |             |       |       |       |       |       |             |       |       |       |             |       |       |      |       |       |             |       |       |       |       |       |             |       |       |       |       |      |       |       |             |       |             |       |       |      |       |       |             |       |       |       |       |       |             |       |       |      |       |       |       |      |             |       |       |      |       |      |       |       |       |      |       |       |             |       |       |      |       |      |             |       |       |      |             |       |             |       |             |      |       |      |             |       |             |      |       |      |       |       |       |       |             |       |       |      |       |       |       |       |             |       |       |      |             |       |       |      |             |       |             |      |       |       |       |       |             |       |       |      |       |       |       |      |             |       |       |       |       |      |       |       |       |       |       |       |       |       |       |      |       |      |       |       |       |       |       |       |       |       |       |      |       |      |       |      |       |      |       |      |       |      |       |      |       |      |       |      |       |      |       |      |       |      |       |      |       |      |       |      |       |      |       |      |       |      |       |      |       |      |       |      |      |      |      |      |      |      |      |      |      |      |
| 320           | 2106       | 4.63     | 2.7                    |             |         |               |            |             |                        |             |         |             |       |             |       |             |       |             |       |             |       |             |       |             |       |             |       |             |       |             |       |             |       |             |       |             |       |             |       |             |       |             |       |             |       |             |       |             |       |             |       |             |       |             |       |             |       |             |       |             |       |             |       |             |       |             |       |             |       |             |       |             |       |             |       |             |       |             |       |             |       |             |       |             |       |             |       |             |       |             |       |             |       |             |       |             |       |             |       |             |       |             |       |             |       |             |       |             |       |             |       |             |       |             |       |             |       |             |       |             |       |             |       |             |       |             |       |             |       |             |       |             |       |             |       |             |       |             |       |             |       |             |       |             |       |             |       |       |       |             |       |       |       |       |       |       |       |       |       |       |       |       |       |       |       |       |       |       |       |       |       |       |       |       |       |       |       |       |       |             |       |       |      |             |       |             |      |             |       |             |       |             |       |             |      |             |       |             |       |             |       |             |       |             |       |             |       |             |       |             |       |             |       |             |       |             |       |             |       |             |       |             |       |             |       |             |       |             |       |             |       |             |       |             |       |       |       |             |       |             |       |             |       |       |       |             |       |             |       |             |       |       |       |             |       |             |       |       |       |       |       |             |       |             |       |       |       |             |       |             |      |       |       |             |       |             |       |       |      |             |       |             |       |             |       |             |       |             |       |             |       |             |       |             |       |             |       |             |       |             |       |             |       |             |       |             |       |       |       |             |       |       |       |       |       |       |       |       |       |       |       |       |       |       |       |       |      |             |       |       |       |             |       |             |       |             |       |             |       |             |       |             |       |       |       |             |       |       |       |       |       |             |       |             |       |             |       |             |      |             |       |             |      |             |       |             |       |             |       |             |       |             |       |             |       |             |       |             |       |             |       |             |       |             |       |             |       |             |       |             |       |             |       |             |       |             |       |             |       |             |       |       |       |             |       |             |       |             |       |       |       |             |       |             |       |       |       |       |       |             |       |       |      |       |       |             |       |             |       |       |       |             |       |       |       |             |       |       |       |             |       |       |       |       |       |             |       |             |       |       |       |       |       |             |       |             |       |       |       |             |       |             |       |             |       |             |       |             |       |             |      |       |       |             |       |       |       |       |       |             |       |       |       |             |       |       |      |       |       |             |       |       |       |       |       |             |       |       |       |       |      |       |       |             |       |             |       |       |      |       |       |             |       |       |       |       |       |             |       |       |      |       |       |       |      |             |       |       |      |       |      |       |       |       |      |       |       |             |       |       |      |       |      |             |       |       |      |             |       |             |       |             |      |       |      |             |       |             |      |       |      |       |       |       |       |             |       |       |      |       |       |       |       |             |       |       |      |             |       |       |      |             |       |             |      |       |       |       |       |             |       |       |      |       |       |       |      |             |       |       |       |       |      |       |       |       |       |       |       |       |       |       |      |       |      |       |       |       |       |       |       |       |       |       |      |       |      |       |      |       |      |       |      |       |      |       |      |       |      |       |      |       |      |       |      |       |      |       |      |       |      |       |      |       |      |       |      |       |      |       |      |       |      |       |      |      |      |      |      |      |      |      |      |      |      |
| <b>45kW</b>   |            |          |                        |             |         | <b>75kW</b>   |            |             |                        |             |         |             |       |             |       |             |       |             |       |             |       |             |       |             |       |             |       |             |       |             |       |             |       |             |       |             |       |             |       |             |       |             |       |             |       |             |       |             |       |             |       |             |       |             |       |             |       |             |       |             |       |             |       |             |       |             |       |             |       |             |       |             |       |             |       |             |       |             |       |             |       |             |       |             |       |             |       |             |       |             |       |             |       |             |       |             |       |             |       |             |       |             |       |             |       |             |       |             |       |             |       |             |       |             |       |             |       |             |       |             |       |             |       |             |       |             |       |             |       |             |       |             |       |             |       |             |       |             |       |             |       |             |       |             |       |             |       |       |       |             |       |       |       |       |       |       |       |       |       |       |       |       |       |       |       |       |       |       |       |       |       |       |       |       |       |       |       |       |       |             |       |       |      |             |       |             |      |             |       |             |       |             |       |             |      |             |       |             |       |             |       |             |       |             |       |             |       |             |       |             |       |             |       |             |       |             |       |             |       |             |       |             |       |             |       |             |       |             |       |             |       |             |       |             |       |       |       |             |       |             |       |             |       |       |       |             |       |             |       |             |       |       |       |             |       |             |       |       |       |       |       |             |       |             |       |       |       |             |       |             |      |       |       |             |       |             |       |       |      |             |       |             |       |             |       |             |       |             |       |             |       |             |       |             |       |             |       |             |       |             |       |             |       |             |       |             |       |       |       |             |       |       |       |       |       |       |       |       |       |       |       |       |       |       |       |       |      |             |       |       |       |             |       |             |       |             |       |             |       |             |       |             |       |       |       |             |       |       |       |       |       |             |       |             |       |             |       |             |      |             |       |             |      |             |       |             |       |             |       |             |       |             |       |             |       |             |       |             |       |             |       |             |       |             |       |             |       |             |       |             |       |             |       |             |       |             |       |             |       |             |       |       |       |             |       |             |       |             |       |       |       |             |       |             |       |       |       |       |       |             |       |       |      |       |       |             |       |             |       |       |       |             |       |       |       |             |       |       |       |             |       |       |       |       |       |             |       |             |       |       |       |       |       |             |       |             |       |       |       |             |       |             |       |             |       |             |       |             |       |             |      |       |       |             |       |       |       |       |       |             |       |       |       |             |       |       |      |       |       |             |       |       |       |       |       |             |       |       |       |       |      |       |       |             |       |             |       |       |      |       |       |             |       |       |       |       |       |             |       |       |      |       |       |       |      |             |       |       |      |       |      |       |       |       |      |       |       |             |       |       |      |       |      |             |       |       |      |             |       |             |       |             |      |       |      |             |       |             |      |       |      |       |       |       |       |             |       |       |      |       |       |       |       |             |       |       |      |             |       |       |      |             |       |             |      |       |       |       |       |             |       |       |      |       |       |       |      |             |       |       |       |       |      |       |       |       |       |       |       |       |       |       |      |       |      |       |       |       |       |       |       |       |       |       |      |       |      |       |      |       |      |       |      |       |      |       |      |       |      |       |      |       |      |       |      |       |      |       |      |       |      |       |      |       |      |       |      |       |      |       |      |       |      |       |      |      |      |      |      |      |      |      |      |      |      |
| 30            | 13426      | 49.19    | 0.84                   | F 127       | 4       | 58            | 11600      | 25.50       | 0.97                   | F 127       | 4       |             |       |             |       |             |       |             |       |             |       |             |       |             |       |             |       |             |       |             |       |             |       |             |       |             |       |             |       |             |       |             |       |             |       |             |       |             |       |             |       |             |       |             |       |             |       |             |       |             |       |             |       |             |       |             |       |             |       |             |       |             |       |             |       |             |       |             |       |             |       |             |       |             |       |             |       |             |       |             |       |             |       |             |       |             |       |             |       |             |       |             |       |             |       |             |       |             |       |             |       |             |       |             |       |             |       |             |       |             |       |             |       |             |       |             |       |             |       |             |       |             |       |             |       |             |       |             |       |             |       |             |       |             |       |             |       |       |       |             |       |       |       |       |       |       |       |       |       |       |       |       |       |       |       |       |       |       |       |       |       |       |       |       |       |       |       |       |       |             |       |       |      |             |       |             |      |             |       |             |       |             |       |             |      |             |       |             |       |             |       |             |       |             |       |             |       |             |       |             |       |             |       |             |       |             |       |             |       |             |       |             |       |             |       |             |       |             |       |             |       |             |       |             |       |       |       |             |       |             |       |             |       |       |       |             |       |             |       |             |       |       |       |             |       |             |       |       |       |       |       |             |       |             |       |       |       |             |       |             |      |       |       |             |       |             |       |       |      |             |       |             |       |             |       |             |       |             |       |             |       |             |       |             |       |             |       |             |       |             |       |             |       |             |       |             |       |       |       |             |       |       |       |       |       |       |       |       |       |       |       |       |       |       |       |       |      |             |       |       |       |             |       |             |       |             |       |             |       |             |       |             |       |       |       |             |       |       |       |       |       |             |       |             |       |             |       |             |      |             |       |             |      |             |       |             |       |             |       |             |       |             |       |             |       |             |       |             |       |             |       |             |       |             |       |             |       |             |       |             |       |             |       |             |       |             |       |             |       |             |       |       |       |             |       |             |       |             |       |       |       |             |       |             |       |       |       |       |       |             |       |       |      |       |       |             |       |             |       |       |       |             |       |       |       |             |       |       |       |             |       |       |       |       |       |             |       |             |       |       |       |       |       |             |       |             |       |       |       |             |       |             |       |             |       |             |       |             |       |             |      |       |       |             |       |       |       |       |       |             |       |       |       |             |       |       |      |       |       |             |       |       |       |       |       |             |       |       |       |       |      |       |       |             |       |             |       |       |      |       |       |             |       |       |       |       |       |             |       |       |      |       |       |       |      |             |       |       |      |       |      |       |       |       |      |       |       |             |       |       |      |       |      |             |       |       |      |             |       |             |       |             |      |       |      |             |       |             |      |       |      |       |       |       |       |             |       |       |      |       |       |       |       |             |       |       |      |             |       |       |      |             |       |             |      |       |       |       |       |             |       |       |      |       |       |       |      |             |       |       |       |       |      |       |       |       |       |       |       |       |       |       |      |       |      |       |       |       |       |       |       |       |       |       |      |       |      |       |      |       |      |       |      |       |      |       |      |       |      |       |      |       |      |       |      |       |      |       |      |       |      |       |      |       |      |       |      |       |      |       |      |       |      |       |      |      |      |      |      |      |      |      |      |      |      |
| 35            | 11595      | 42.48    | 0.97                   |             |         | 39            | 10255      | 37.57       | 1.10                   |             |         | 47          | 8620  | 31.58       | 1.31  | 58          | 6960  | 25.50       | 1.62  | 55          | 7391  | 26.92       | 1.08  |             |       | 60          | 6758  |             |       | 24.97       | 1.18  |             |       |             |       |             |       |             |       |             |       |             |       |             |       |             |       |             |       |             |       |             |       |             |       |             |       |             |       |             |       |             |       |             |       |             |       |             |       |             |       |             |       |             |       |             |       |             |       |             |       | 69          | 5882  | 21.55       | 1.92  | 78          | 5189  |             |       | 19.01       | 2.0   | 90          | 4498  | 16.48       | 2.3   | 101         | 4004  | 14.67       | 2.6   | 117         | 3450  | 12.64       | 2.7   | 144         | 2803  | 10.27       | 3.2   | 169         | 2391  | 8.76        | 2.8   | 190         | 2126  | 7.79        | 2.7   | 220         | 1834  | 6.72        | 3.6   | 271         | 1490  | 5.46        | 3.8   |             |       |             |       |             |       |             |       |             |       |             |       |             |       |             |       |             |       |             |       |             |       |             |       |       |       |             |       |       |       |       |       |       |       |       |       |       |       |       |       |       |       |       |       |       |       |       |       |       |       |       |       |       |       |       |       |             |       |       |      |             |       |             |      |             |       |             |       |             |       |             |      |             |       |             |       |             |       |             |       |             |       |             |       |             |       |             |       |             |       |             |       |             |       |             |       |             |       |             |       |             |       |             |       |             |       |             |       |             |       |             |       |       |       |             |       |             |       |             |       |       |       |             |       |             |       |             |       |       |       |             |       |             |       |       |       |       |       |             |       |             |       |       |       |             |       |             |      |       |       |             |       |             |       |       |      |             |       |             |       |             |       |             |       |             |       |             |       |             |       |             |       |             |       |             |       |             |       |             |       |             |       |             |       |       |       |             |       |       |       |       |       |       |       |       |       |       |       |       |       |       |       |       |      |             |       |       |       |             |       |             |       |             |       |             |       |             |       |             |       |       |       |             |       |       |       |       |       |             |       |             |       |             |       |             |      |             |       |             |      |             |       |             |       |             |       |             |       |             |       |             |       |             |       |             |       |             |       |             |       |             |       |             |       |             |       |             |       |             |       |             |       |             |       |             |       |             |       |       |       |             |       |             |       |             |       |       |       |             |       |             |       |       |       |       |       |             |       |       |      |       |       |             |       |             |       |       |       |             |       |       |       |             |       |       |       |             |       |       |       |       |       |             |       |             |       |       |       |       |       |             |       |             |       |       |       |             |       |             |       |             |       |             |       |             |       |             |      |       |       |             |       |       |       |       |       |             |       |       |       |             |       |       |      |       |       |             |       |       |       |       |       |             |       |       |       |       |      |       |       |             |       |             |       |       |      |       |       |             |       |       |       |       |       |             |       |       |      |       |       |       |      |             |       |       |      |       |      |       |       |       |      |       |       |             |       |       |      |       |      |             |       |       |      |             |       |             |       |             |      |       |      |             |       |             |      |       |      |       |       |       |       |             |       |       |      |       |       |       |       |             |       |       |      |             |       |       |      |             |       |             |      |       |       |       |       |             |       |       |      |       |       |       |      |             |       |       |       |       |      |       |       |       |       |       |       |       |       |       |      |       |      |       |       |       |       |       |       |       |       |       |      |       |      |       |      |       |      |       |      |       |      |       |      |       |      |       |      |       |      |       |      |       |      |       |      |       |      |       |      |       |      |       |      |       |      |       |      |       |      |       |      |      |      |      |      |      |      |      |      |      |      |
| 39            | 10255      | 37.57    | 1.10                   |             |         | 47            | 8620       | 31.58       | 1.31                   |             |         | 58          | 6960  | 25.50       | 1.62  | 55          | 7391  | 26.92       | 1.08  | 60          | 6758  | 24.97       | 1.18  |             |       | 69          | 5882  |             |       | 21.55       | 1.92  |             |       |             |       |             |       |             |       |             |       |             |       |             |       |             |       |             |       |             |       |             |       |             |       |             |       |             |       |             |       |             |       |             |       |             |       |             |       |             |       |             |       |             |       |             |       | 78          | 5189  |             |       | 19.01       | 2.0   | 90          | 4498  | 16.48       | 2.3   | 101         | 4004  | 14.67       | 2.6   | 117         | 3450  | 12.64       | 2.7   | 144         | 2803  | 10.27       | 3.2   | 169         | 2391  | 8.76        | 2.8   | 190         | 2126  | 7.79        | 2.7   | 220         | 1834  | 6.72        | 3.6   | 271         | 1490  | 5.46        | 3.8   |             |       |             |       |             |       |             |       |             |       |             |       |             |       |             |       |             |       |             |       |             |       |             |       |             |       |             |       |             |       |             |       |       |       |             |       |       |       |       |       |       |       |       |       |       |       |       |       |       |       |       |       |       |       |       |       |       |       |       |       |       |       |       |       |             |       |       |      |             |       |             |      |             |       |             |       |             |       |             |      |             |       |             |       |             |       |             |       |             |       |             |       |             |       |             |       |             |       |             |       |             |       |             |       |             |       |             |       |             |       |             |       |             |       |             |       |             |       |             |       |       |       |             |       |             |       |             |       |       |       |             |       |             |       |             |       |       |       |             |       |             |       |       |       |       |       |             |       |             |       |       |       |             |       |             |      |       |       |             |       |             |       |       |      |             |       |             |       |             |       |             |       |             |       |             |       |             |       |             |       |             |       |             |       |             |       |             |       |             |       |             |       |       |       |             |       |       |       |       |       |       |       |       |       |       |       |       |       |       |       |       |      |             |       |       |       |             |       |             |       |             |       |             |       |             |       |             |       |       |       |             |       |       |       |       |       |             |       |             |       |             |       |             |      |             |       |             |      |             |       |             |       |             |       |             |       |             |       |             |       |             |       |             |       |             |       |             |       |             |       |             |       |             |       |             |       |             |       |             |       |             |       |             |       |             |       |       |       |             |       |             |       |             |       |       |       |             |       |             |       |       |       |       |       |             |       |       |      |       |       |             |       |             |       |       |       |             |       |       |       |             |       |       |       |             |       |       |       |       |       |             |       |             |       |       |       |       |       |             |       |             |       |       |       |             |       |             |       |             |       |             |       |             |       |             |      |       |       |             |       |       |       |       |       |             |       |       |       |             |       |       |      |       |       |             |       |       |       |       |       |             |       |       |       |       |      |       |       |             |       |             |       |       |      |       |       |             |       |       |       |       |       |             |       |       |      |       |       |       |      |             |       |       |      |       |      |       |       |       |      |       |       |             |       |       |      |       |      |             |       |       |      |             |       |             |       |             |      |       |      |             |       |             |      |       |      |       |       |       |       |             |       |       |      |       |       |       |       |             |       |       |      |             |       |       |      |             |       |             |      |       |       |       |       |             |       |       |      |       |       |       |      |             |       |       |       |       |      |       |       |       |       |       |       |       |       |       |      |       |      |       |       |       |       |       |       |       |       |       |      |       |      |       |      |       |      |       |      |       |      |       |      |       |      |       |      |       |      |       |      |       |      |       |      |       |      |       |      |       |      |       |      |       |      |       |      |       |      |       |      |      |      |      |      |      |      |      |      |      |      |
| 47            | 8620       | 31.58    | 1.31                   |             |         | 58            | 6960       | 25.50       | 1.62                   |             |         | 55          | 7391  | 26.92       | 1.08  | 60          | 6758  | 24.97       | 1.18  | 69          | 5882  | 21.55       | 1.92  |             |       | 78          | 5189  |             |       | 19.01       | 2.0   |             |       |             |       |             |       |             |       |             |       |             |       |             |       |             |       |             |       |             |       |             |       |             |       |             |       |             |       |             |       |             |       |             |       |             |       |             |       |             |       | 90          | 4498  |             |       |             |       | 16.48       | 2.3   | 101         | 4004  | 14.67       | 2.6   | 117         | 3450  | 12.64       | 2.7   | 144         | 2803  | 10.27       | 3.2   | 169         | 2391  | 8.76        | 2.8   | 190         | 2126  | 7.79        | 2.7   | 220         | 1834  | 6.72        | 3.6   | 271         | 1490  | 5.46        | 3.8   |             |       |             |       |             |       |             |       |             |       |             |       |             |       |             |       |             |       |             |       |             |       |             |       |             |       |             |       |             |       |             |       |             |       |             |       |             |       |             |       |       |       |             |       |       |       |       |       |       |       |       |       |       |       |       |       |       |       |       |       |       |       |       |       |       |       |       |       |       |       |       |       |             |       |       |      |             |       |             |      |             |       |             |       |             |       |             |      |             |       |             |       |             |       |             |       |             |       |             |       |             |       |             |       |             |       |             |       |             |       |             |       |             |       |             |       |             |       |             |       |             |       |             |       |             |       |             |       |       |       |             |       |             |       |             |       |       |       |             |       |             |       |             |       |       |       |             |       |             |       |       |       |       |       |             |       |             |       |       |       |             |       |             |      |       |       |             |       |             |       |       |      |             |       |             |       |             |       |             |       |             |       |             |       |             |       |             |       |             |       |             |       |             |       |             |       |             |       |             |       |       |       |             |       |       |       |       |       |       |       |       |       |       |       |       |       |       |       |       |      |             |       |       |       |             |       |             |       |             |       |             |       |             |       |             |       |       |       |             |       |       |       |       |       |             |       |             |       |             |       |             |      |             |       |             |      |             |       |             |       |             |       |             |       |             |       |             |       |             |       |             |       |             |       |             |       |             |       |             |       |             |       |             |       |             |       |             |       |             |       |             |       |             |       |       |       |             |       |             |       |             |       |       |       |             |       |             |       |       |       |       |       |             |       |       |      |       |       |             |       |             |       |       |       |             |       |       |       |             |       |       |       |             |       |       |       |       |       |             |       |             |       |       |       |       |       |             |       |             |       |       |       |             |       |             |       |             |       |             |       |             |       |             |      |       |       |             |       |       |       |       |       |             |       |       |       |             |       |       |      |       |       |             |       |       |       |       |       |             |       |       |       |       |      |       |       |             |       |             |       |       |      |       |       |             |       |       |       |       |       |             |       |       |      |       |       |       |      |             |       |       |      |       |      |       |       |       |      |       |       |             |       |       |      |       |      |             |       |       |      |             |       |             |       |             |      |       |      |             |       |             |      |       |      |       |       |       |       |             |       |       |      |       |       |       |       |             |       |       |      |             |       |       |      |             |       |             |      |       |       |       |       |             |       |       |      |       |       |       |      |             |       |       |       |       |      |       |       |       |       |       |       |       |       |       |      |       |      |       |       |       |       |       |       |       |       |       |      |       |      |       |      |       |      |       |      |       |      |       |      |       |      |       |      |       |      |       |      |       |      |       |      |       |      |       |      |       |      |       |      |       |      |       |      |       |      |       |      |      |      |      |      |      |      |      |      |      |      |
| 58            | 6960       | 25.50    | 1.62                   |             |         | 55            | 7391       | 26.92       | 1.08                   |             |         | 60          | 6758  | 24.97       | 1.18  | 69          | 5882  | 21.55       | 1.92  | 78          | 5189  | 19.01       | 2.0   |             |       | 90          | 4498  |             |       | 16.48       | 2.3   |             |       |             |       |             |       |             |       |             |       |             |       |             |       |             |       |             |       |             |       |             |       |             |       |             |       |             |       |             |       |             |       |             |       |             |       | 101         | 4004  |             |       | 14.67       | 2.6   |             |       | 117         | 3450  | 12.64       | 2.7   | 144         | 2803  | 10.27       | 3.2   | 169         | 2391  | 8.76        | 2.8   | 190         | 2126  | 7.79        | 2.7   | 220         | 1834  | 6.72        | 3.6   | 271         | 1490  | 5.46        | 3.8   |             |       |             |       |             |       |             |       |             |       |             |       |             |       |             |       |             |       |             |       |             |       |             |       |             |       |             |       |             |       |             |       |             |       |             |       |             |       |             |       |             |       |             |       |             |       |             |       |       |       |             |       |       |       |       |       |       |       |       |       |       |       |       |       |       |       |       |       |       |       |       |       |       |       |       |       |       |       |       |       |             |       |       |      |             |       |             |      |             |       |             |       |             |       |             |      |             |       |             |       |             |       |             |       |             |       |             |       |             |       |             |       |             |       |             |       |             |       |             |       |             |       |             |       |             |       |             |       |             |       |             |       |             |       |             |       |       |       |             |       |             |       |             |       |       |       |             |       |             |       |             |       |       |       |             |       |             |       |       |       |       |       |             |       |             |       |       |       |             |       |             |      |       |       |             |       |             |       |       |      |             |       |             |       |             |       |             |       |             |       |             |       |             |       |             |       |             |       |             |       |             |       |             |       |             |       |             |       |       |       |             |       |       |       |       |       |       |       |       |       |       |       |       |       |       |       |       |      |             |       |       |       |             |       |             |       |             |       |             |       |             |       |             |       |       |       |             |       |       |       |       |       |             |       |             |       |             |       |             |      |             |       |             |      |             |       |             |       |             |       |             |       |             |       |             |       |             |       |             |       |             |       |             |       |             |       |             |       |             |       |             |       |             |       |             |       |             |       |             |       |             |       |       |       |             |       |             |       |             |       |       |       |             |       |             |       |       |       |       |       |             |       |       |      |       |       |             |       |             |       |       |       |             |       |       |       |             |       |       |       |             |       |       |       |       |       |             |       |             |       |       |       |       |       |             |       |             |       |       |       |             |       |             |       |             |       |             |       |             |       |             |      |       |       |             |       |       |       |       |       |             |       |       |       |             |       |       |      |       |       |             |       |       |       |       |       |             |       |       |       |       |      |       |       |             |       |             |       |       |      |       |       |             |       |       |       |       |       |             |       |       |      |       |       |       |      |             |       |       |      |       |      |       |       |       |      |       |       |             |       |       |      |       |      |             |       |       |      |             |       |             |       |             |      |       |      |             |       |             |      |       |      |       |       |       |       |             |       |       |      |       |       |       |       |             |       |       |      |             |       |       |      |             |       |             |      |       |       |       |       |             |       |       |      |       |       |       |      |             |       |       |       |       |      |       |       |       |       |       |       |       |       |       |      |       |      |       |       |       |       |       |       |       |       |       |      |       |      |       |      |       |      |       |      |       |      |       |      |       |      |       |      |       |      |       |      |       |      |       |      |       |      |       |      |       |      |       |      |       |      |       |      |       |      |       |      |      |      |      |      |      |      |      |      |      |      |
| 55            | 7391       | 26.92    | 1.08                   |             |         | 60            | 6758       | 24.97       | 1.18                   |             |         | 69          | 5882  | 21.55       | 1.92  | 78          | 5189  | 19.01       | 2.0   | 90          | 4498  | 16.48       | 2.3   |             |       | 101         | 4004  |             |       | 14.67       | 2.6   |             |       |             |       |             |       |             |       |             |       |             |       |             |       |             |       |             |       |             |       |             |       |             |       |             |       |             |       |             |       |             |       | 117         | 3450  |             |       | 12.64       | 2.7   |             |       | 144         | 2803  | 10.27       | 3.2   | 169         | 2391  | 8.76        | 2.8   | 190         | 2126  | 7.79        | 2.7   | 220         | 1834  | 6.72        | 3.6   | 271         | 1490  | 5.46        | 3.8   |             |       |             |       |             |       |             |       |             |       |             |       |             |       |             |       |             |       |             |       |             |       |             |       |             |       |             |       |             |       |             |       |             |       |             |       |             |       |             |       |             |       |             |       |             |       |             |       |             |       |             |       |             |       |             |       |       |       |             |       |       |       |       |       |       |       |       |       |       |       |       |       |       |       |       |       |       |       |       |       |       |       |       |       |       |       |       |       |             |       |       |      |             |       |             |      |             |       |             |       |             |       |             |      |             |       |             |       |             |       |             |       |             |       |             |       |             |       |             |       |             |       |             |       |             |       |             |       |             |       |             |       |             |       |             |       |             |       |             |       |             |       |             |       |       |       |             |       |             |       |             |       |       |       |             |       |             |       |             |       |       |       |             |       |             |       |       |       |       |       |             |       |             |       |       |       |             |       |             |      |       |       |             |       |             |       |       |      |             |       |             |       |             |       |             |       |             |       |             |       |             |       |             |       |             |       |             |       |             |       |             |       |             |       |             |       |       |       |             |       |       |       |       |       |       |       |       |       |       |       |       |       |       |       |       |      |             |       |       |       |             |       |             |       |             |       |             |       |             |       |             |       |       |       |             |       |       |       |       |       |             |       |             |       |             |       |             |      |             |       |             |      |             |       |             |       |             |       |             |       |             |       |             |       |             |       |             |       |             |       |             |       |             |       |             |       |             |       |             |       |             |       |             |       |             |       |             |       |             |       |       |       |             |       |             |       |             |       |       |       |             |       |             |       |       |       |       |       |             |       |       |      |       |       |             |       |             |       |       |       |             |       |       |       |             |       |       |       |             |       |       |       |       |       |             |       |             |       |       |       |       |       |             |       |             |       |       |       |             |       |             |       |             |       |             |       |             |       |             |      |       |       |             |       |       |       |       |       |             |       |       |       |             |       |       |      |       |       |             |       |       |       |       |       |             |       |       |       |       |      |       |       |             |       |             |       |       |      |       |       |             |       |       |       |       |       |             |       |       |      |       |       |       |      |             |       |       |      |       |      |       |       |       |      |       |       |             |       |       |      |       |      |             |       |       |      |             |       |             |       |             |      |       |      |             |       |             |      |       |      |       |       |       |       |             |       |       |      |       |       |       |       |             |       |       |      |             |       |       |      |             |       |             |      |       |       |       |       |             |       |       |      |       |       |       |      |             |       |       |       |       |      |       |       |       |       |       |       |       |       |       |      |       |      |       |       |       |       |       |       |       |       |       |      |       |      |       |      |       |      |       |      |       |      |       |      |       |      |       |      |       |      |       |      |       |      |       |      |       |      |       |      |       |      |       |      |       |      |       |      |       |      |       |      |      |      |      |      |      |      |      |      |      |      |
| 60            | 6758       | 24.97    | 1.18                   |             |         | 69            | 5882       | 21.55       | 1.92                   |             |         | 78          | 5189  | 19.01       | 2.0   | 90          | 4498  | 16.48       | 2.3   | 101         | 4004  | 14.67       | 2.6   |             |       | 117         | 3450  |             |       | 12.64       | 2.7   |             |       |             |       |             |       |             |       |             |       |             |       |             |       |             |       |             |       |             |       |             |       |             |       |             |       |             |       | 144         | 2803  |             |       | 10.27       | 3.2   |             |       | 169         | 2391  | 8.76        | 2.8   | 190         | 2126  | 7.79        | 2.7   | 220         | 1834  | 6.72        | 3.6   | 271         | 1490  | 5.46        | 3.8   |             |       |             |       |             |       |             |       |             |       |             |       |             |       |             |       |             |       |             |       |             |       |             |       |             |       |             |       |             |       |             |       |             |       |             |       |             |       |             |       |             |       |             |       |             |       |             |       |             |       |             |       |             |       |             |       |             |       |             |       |             |       |             |       |       |       |             |       |       |       |       |       |       |       |       |       |       |       |       |       |       |       |       |       |       |       |       |       |       |       |       |       |       |       |       |       |             |       |       |      |             |       |             |      |             |       |             |       |             |       |             |      |             |       |             |       |             |       |             |       |             |       |             |       |             |       |             |       |             |       |             |       |             |       |             |       |             |       |             |       |             |       |             |       |             |       |             |       |             |       |             |       |       |       |             |       |             |       |             |       |       |       |             |       |             |       |             |       |       |       |             |       |             |       |       |       |       |       |             |       |             |       |       |       |             |       |             |      |       |       |             |       |             |       |       |      |             |       |             |       |             |       |             |       |             |       |             |       |             |       |             |       |             |       |             |       |             |       |             |       |             |       |             |       |       |       |             |       |       |       |       |       |       |       |       |       |       |       |       |       |       |       |       |      |             |       |       |       |             |       |             |       |             |       |             |       |             |       |             |       |       |       |             |       |       |       |       |       |             |       |             |       |             |       |             |      |             |       |             |      |             |       |             |       |             |       |             |       |             |       |             |       |             |       |             |       |             |       |             |       |             |       |             |       |             |       |             |       |             |       |             |       |             |       |             |       |             |       |       |       |             |       |             |       |             |       |       |       |             |       |             |       |       |       |       |       |             |       |       |      |       |       |             |       |             |       |       |       |             |       |       |       |             |       |       |       |             |       |       |       |       |       |             |       |             |       |       |       |       |       |             |       |             |       |       |       |             |       |             |       |             |       |             |       |             |       |             |      |       |       |             |       |       |       |       |       |             |       |       |       |             |       |       |      |       |       |             |       |       |       |       |       |             |       |       |       |       |      |       |       |             |       |             |       |       |      |       |       |             |       |       |       |       |       |             |       |       |      |       |       |       |      |             |       |       |      |       |      |       |       |       |      |       |       |             |       |       |      |       |      |             |       |       |      |             |       |             |       |             |      |       |      |             |       |             |      |       |      |       |       |       |       |             |       |       |      |       |       |       |       |             |       |       |      |             |       |       |      |             |       |             |      |       |       |       |       |             |       |       |      |       |       |       |      |             |       |       |       |       |      |       |       |       |       |       |       |       |       |       |      |       |      |       |       |       |       |       |       |       |       |       |      |       |      |       |      |       |      |       |      |       |      |       |      |       |      |       |      |       |      |       |      |       |      |       |      |       |      |       |      |       |      |       |      |       |      |       |      |       |      |       |      |      |      |      |      |      |      |      |      |      |      |
| 69            | 5882       | 21.55    | 1.92                   |             |         | 78            | 5189       | 19.01       | 2.0                    |             |         | 90          | 4498  | 16.48       | 2.3   | 101         | 4004  | 14.67       | 2.6   | 117         | 3450  | 12.64       | 2.7   |             |       | 144         | 2803  |             |       | 10.27       | 3.2   |             |       |             |       |             |       |             |       |             |       |             |       |             |       |             |       |             |       |             |       |             |       |             |       | 169         | 2391  |             |       | 8.76        | 2.8   |             |       | 190         | 2126  | 7.79        | 2.7   | 220         | 1834  | 6.72        | 3.6   | 271         | 1490  | 5.46        | 3.8   |             |       |             |       |             |       |             |       |             |       |             |       |             |       |             |       |             |       |             |       |             |       |             |       |             |       |             |       |             |       |             |       |             |       |             |       |             |       |             |       |             |       |             |       |             |       |             |       |             |       |             |       |             |       |             |       |             |       |             |       |             |       |             |       |             |       |             |       |             |       |             |       |       |       |             |       |       |       |       |       |       |       |       |       |       |       |       |       |       |       |       |       |       |       |       |       |       |       |       |       |       |       |       |       |             |       |       |      |             |       |             |      |             |       |             |       |             |       |             |      |             |       |             |       |             |       |             |       |             |       |             |       |             |       |             |       |             |       |             |       |             |       |             |       |             |       |             |       |             |       |             |       |             |       |             |       |             |       |             |       |       |       |             |       |             |       |             |       |       |       |             |       |             |       |             |       |       |       |             |       |             |       |       |       |       |       |             |       |             |       |       |       |             |       |             |      |       |       |             |       |             |       |       |      |             |       |             |       |             |       |             |       |             |       |             |       |             |       |             |       |             |       |             |       |             |       |             |       |             |       |             |       |       |       |             |       |       |       |       |       |       |       |       |       |       |       |       |       |       |       |       |      |             |       |       |       |             |       |             |       |             |       |             |       |             |       |             |       |       |       |             |       |       |       |       |       |             |       |             |       |             |       |             |      |             |       |             |      |             |       |             |       |             |       |             |       |             |       |             |       |             |       |             |       |             |       |             |       |             |       |             |       |             |       |             |       |             |       |             |       |             |       |             |       |             |       |       |       |             |       |             |       |             |       |       |       |             |       |             |       |       |       |       |       |             |       |       |      |       |       |             |       |             |       |       |       |             |       |       |       |             |       |       |       |             |       |       |       |       |       |             |       |             |       |       |       |       |       |             |       |             |       |       |       |             |       |             |       |             |       |             |       |             |       |             |      |       |       |             |       |       |       |       |       |             |       |       |       |             |       |       |      |       |       |             |       |       |       |       |       |             |       |       |       |       |      |       |       |             |       |             |       |       |      |       |       |             |       |       |       |       |       |             |       |       |      |       |       |       |      |             |       |       |      |       |      |       |       |       |      |       |       |             |       |       |      |       |      |             |       |       |      |             |       |             |       |             |      |       |      |             |       |             |      |       |      |       |       |       |       |             |       |       |      |       |       |       |       |             |       |       |      |             |       |       |      |             |       |             |      |       |       |       |       |             |       |       |      |       |       |       |      |             |       |       |       |       |      |       |       |       |       |       |       |       |       |       |      |       |      |       |       |       |       |       |       |       |       |       |      |       |      |       |      |       |      |       |      |       |      |       |      |       |      |       |      |       |      |       |      |       |      |       |      |       |      |       |      |       |      |       |      |       |      |       |      |       |      |       |      |      |      |      |      |      |      |      |      |      |      |
| 78            | 5189       | 19.01    | 2.0                    |             |         | 90            | 4498       | 16.48       | 2.3                    |             |         | 101         | 4004  | 14.67       | 2.6   | 117         | 3450  | 12.64       | 2.7   | 144         | 2803  | 10.27       | 3.2   |             |       | 169         | 2391  |             |       | 8.76        | 2.8   |             |       |             |       |             |       |             |       |             |       |             |       |             |       |             |       |             |       |             |       | 190         | 2126  |             |       | 7.79        | 2.7   |             |       | 220         | 1834  | 6.72        | 3.6   | 271         | 1490  | 5.46        | 3.8   |             |       |             |       |             |       |             |       |             |       |             |       |             |       |             |       |             |       |             |       |             |       |             |       |             |       |             |       |             |       |             |       |             |       |             |       |             |       |             |       |             |       |             |       |             |       |             |       |             |       |             |       |             |       |             |       |             |       |             |       |             |       |             |       |             |       |             |       |             |       |             |       |             |       |             |       |             |       |             |       |       |       |             |       |       |       |       |       |       |       |       |       |       |       |       |       |       |       |       |       |       |       |       |       |       |       |       |       |       |       |       |       |             |       |       |      |             |       |             |      |             |       |             |       |             |       |             |      |             |       |             |       |             |       |             |       |             |       |             |       |             |       |             |       |             |       |             |       |             |       |             |       |             |       |             |       |             |       |             |       |             |       |             |       |             |       |             |       |       |       |             |       |             |       |             |       |       |       |             |       |             |       |             |       |       |       |             |       |             |       |       |       |       |       |             |       |             |       |       |       |             |       |             |      |       |       |             |       |             |       |       |      |             |       |             |       |             |       |             |       |             |       |             |       |             |       |             |       |             |       |             |       |             |       |             |       |             |       |             |       |       |       |             |       |       |       |       |       |       |       |       |       |       |       |       |       |       |       |       |      |             |       |       |       |             |       |             |       |             |       |             |       |             |       |             |       |       |       |             |       |       |       |       |       |             |       |             |       |             |       |             |      |             |       |             |      |             |       |             |       |             |       |             |       |             |       |             |       |             |       |             |       |             |       |             |       |             |       |             |       |             |       |             |       |             |       |             |       |             |       |             |       |             |       |       |       |             |       |             |       |             |       |       |       |             |       |             |       |       |       |       |       |             |       |       |      |       |       |             |       |             |       |       |       |             |       |       |       |             |       |       |       |             |       |       |       |       |       |             |       |             |       |       |       |       |       |             |       |             |       |       |       |             |       |             |       |             |       |             |       |             |       |             |      |       |       |             |       |       |       |       |       |             |       |       |       |             |       |       |      |       |       |             |       |       |       |       |       |             |       |       |       |       |      |       |       |             |       |             |       |       |      |       |       |             |       |       |       |       |       |             |       |       |      |       |       |       |      |             |       |       |      |       |      |       |       |       |      |       |       |             |       |       |      |       |      |             |       |       |      |             |       |             |       |             |      |       |      |             |       |             |      |       |      |       |       |       |       |             |       |       |      |       |       |       |       |             |       |       |      |             |       |       |      |             |       |             |      |       |       |       |       |             |       |       |      |       |       |       |      |             |       |       |       |       |      |       |       |       |       |       |       |       |       |       |      |       |      |       |       |       |       |       |       |       |       |       |      |       |      |       |      |       |      |       |      |       |      |       |      |       |      |       |      |       |      |       |      |       |      |       |      |       |      |       |      |       |      |       |      |       |      |       |      |       |      |       |      |      |      |      |      |      |      |      |      |      |      |
| 90            | 4498       | 16.48    | 2.3                    |             |         | 101           | 4004       | 14.67       | 2.6                    |             |         | 117         | 3450  | 12.64       | 2.7   | 144         | 2803  | 10.27       | 3.2   | 169         | 2391  | 8.76        | 2.8   |             |       | 190         | 2126  |             |       | 7.79        | 2.7   |             |       |             |       |             |       |             |       |             |       |             |       |             |       |             |       | 220         | 1834  |             |       | 6.72        | 3.6   |             |       | 271         | 1490  | 5.46        | 3.8   |             |       |             |       |             |       |             |       |             |       |             |       |             |       |             |       |             |       |             |       |             |       |             |       |             |       |             |       |             |       |             |       |             |       |             |       |             |       |             |       |             |       |             |       |             |       |             |       |             |       |             |       |             |       |             |       |             |       |             |       |             |       |             |       |             |       |             |       |             |       |             |       |             |       |             |       |             |       |             |       |             |       |             |       |             |       |             |       |       |       |             |       |       |       |       |       |       |       |       |       |       |       |       |       |       |       |       |       |       |       |       |       |       |       |       |       |       |       |       |       |             |       |       |      |             |       |             |      |             |       |             |       |             |       |             |      |             |       |             |       |             |       |             |       |             |       |             |       |             |       |             |       |             |       |             |       |             |       |             |       |             |       |             |       |             |       |             |       |             |       |             |       |             |       |             |       |       |       |             |       |             |       |             |       |       |       |             |       |             |       |             |       |       |       |             |       |             |       |       |       |       |       |             |       |             |       |       |       |             |       |             |      |       |       |             |       |             |       |       |      |             |       |             |       |             |       |             |       |             |       |             |       |             |       |             |       |             |       |             |       |             |       |             |       |             |       |             |       |       |       |             |       |       |       |       |       |       |       |       |       |       |       |       |       |       |       |       |      |             |       |       |       |             |       |             |       |             |       |             |       |             |       |             |       |       |       |             |       |       |       |       |       |             |       |             |       |             |       |             |      |             |       |             |      |             |       |             |       |             |       |             |       |             |       |             |       |             |       |             |       |             |       |             |       |             |       |             |       |             |       |             |       |             |       |             |       |             |       |             |       |             |       |       |       |             |       |             |       |             |       |       |       |             |       |             |       |       |       |       |       |             |       |       |      |       |       |             |       |             |       |       |       |             |       |       |       |             |       |       |       |             |       |       |       |       |       |             |       |             |       |       |       |       |       |             |       |             |       |       |       |             |       |             |       |             |       |             |       |             |       |             |      |       |       |             |       |       |       |       |       |             |       |       |       |             |       |       |      |       |       |             |       |       |       |       |       |             |       |       |       |       |      |       |       |             |       |             |       |       |      |       |       |             |       |       |       |       |       |             |       |       |      |       |       |       |      |             |       |       |      |       |      |       |       |       |      |       |       |             |       |       |      |       |      |             |       |       |      |             |       |             |       |             |      |       |      |             |       |             |      |       |      |       |       |       |       |             |       |       |      |       |       |       |       |             |       |       |      |             |       |       |      |             |       |             |      |       |       |       |       |             |       |       |      |       |       |       |      |             |       |       |       |       |      |       |       |       |       |       |       |       |       |       |      |       |      |       |       |       |       |       |       |       |       |       |      |       |      |       |      |       |      |       |      |       |      |       |      |       |      |       |      |       |      |       |      |       |      |       |      |       |      |       |      |       |      |       |      |       |      |       |      |       |      |       |      |      |      |      |      |      |      |      |      |      |      |
| 101           | 4004       | 14.67    | 2.6                    |             |         | 117           | 3450       | 12.64       | 2.7                    |             |         | 144         | 2803  | 10.27       | 3.2   | 169         | 2391  | 8.76        | 2.8   | 190         | 2126  | 7.79        | 2.7   |             |       | 220         | 1834  |             |       | 6.72        | 3.6   |             |       |             |       |             |       |             |       |             |       |             |       | 271         | 1490  |             |       | 5.46        | 3.8   |             |       |             |       |             |       |             |       |             |       |             |       |             |       |             |       |             |       |             |       |             |       |             |       |             |       |             |       |             |       |             |       |             |       |             |       |             |       |             |       |             |       |             |       |             |       |             |       |             |       |             |       |             |       |             |       |             |       |             |       |             |       |             |       |             |       |             |       |             |       |             |       |             |       |             |       |             |       |             |       |             |       |             |       |             |       |             |       |             |       |             |       |             |       |             |       |             |       |       |       |             |       |       |       |       |       |       |       |       |       |       |       |       |       |       |       |       |       |       |       |       |       |       |       |       |       |       |       |       |       |             |       |       |      |             |       |             |      |             |       |             |       |             |       |             |      |             |       |             |       |             |       |             |       |             |       |             |       |             |       |             |       |             |       |             |       |             |       |             |       |             |       |             |       |             |       |             |       |             |       |             |       |             |       |             |       |       |       |             |       |             |       |             |       |       |       |             |       |             |       |             |       |       |       |             |       |             |       |       |       |       |       |             |       |             |       |       |       |             |       |             |      |       |       |             |       |             |       |       |      |             |       |             |       |             |       |             |       |             |       |             |       |             |       |             |       |             |       |             |       |             |       |             |       |             |       |             |       |       |       |             |       |       |       |       |       |       |       |       |       |       |       |       |       |       |       |       |      |             |       |       |       |             |       |             |       |             |       |             |       |             |       |             |       |       |       |             |       |       |       |       |       |             |       |             |       |             |       |             |      |             |       |             |      |             |       |             |       |             |       |             |       |             |       |             |       |             |       |             |       |             |       |             |       |             |       |             |       |             |       |             |       |             |       |             |       |             |       |             |       |             |       |       |       |             |       |             |       |             |       |       |       |             |       |             |       |       |       |       |       |             |       |       |      |       |       |             |       |             |       |       |       |             |       |       |       |             |       |       |       |             |       |       |       |       |       |             |       |             |       |       |       |       |       |             |       |             |       |       |       |             |       |             |       |             |       |             |       |             |       |             |      |       |       |             |       |       |       |       |       |             |       |       |       |             |       |       |      |       |       |             |       |       |       |       |       |             |       |       |       |       |      |       |       |             |       |             |       |       |      |       |       |             |       |       |       |       |       |             |       |       |      |       |       |       |      |             |       |       |      |       |      |       |       |       |      |       |       |             |       |       |      |       |      |             |       |       |      |             |       |             |       |             |      |       |      |             |       |             |      |       |      |       |       |       |       |             |       |       |      |       |       |       |       |             |       |       |      |             |       |       |      |             |       |             |      |       |       |       |       |             |       |       |      |       |       |       |      |             |       |       |       |       |      |       |       |       |       |       |       |       |       |       |      |       |      |       |       |       |       |       |       |       |       |       |      |       |      |       |      |       |      |       |      |       |      |       |      |       |      |       |      |       |      |       |      |       |      |       |      |       |      |       |      |       |      |       |      |       |      |       |      |       |      |       |      |      |      |      |      |      |      |      |      |      |      |
| 117           | 3450       | 12.64    | 2.7                    |             |         | 144           | 2803       | 10.27       | 3.2                    |             |         | 169         | 2391  | 8.76        | 2.8   | 190         | 2126  | 7.79        | 2.7   | 220         | 1834  | 6.72        | 3.6   |             |       | 271         | 1490  |             |       | 5.46        | 3.8   |             |       |             |       |             |       |             |       |             |       |             |       |             |       |             |       |             |       |             |       |             |       |             |       |             |       |             |       |             |       |             |       |             |       |             |       |             |       |             |       |             |       |             |       |             |       |             |       |             |       |             |       |             |       |             |       |             |       |             |       |             |       |             |       |             |       |             |       |             |       |             |       |             |       |             |       |             |       |             |       |             |       |             |       |             |       |             |       |             |       |             |       |             |       |             |       |             |       |             |       |             |       |             |       |             |       |             |       |             |       |             |       |             |       |             |       |       |       |             |       |       |       |       |       |       |       |       |       |       |       |       |       |       |       |       |       |       |       |       |       |       |       |       |       |       |       |       |       |             |       |       |      |             |       |             |      |             |       |             |       |             |       |             |      |             |       |             |       |             |       |             |       |             |       |             |       |             |       |             |       |             |       |             |       |             |       |             |       |             |       |             |       |             |       |             |       |             |       |             |       |             |       |             |       |       |       |             |       |             |       |             |       |       |       |             |       |             |       |             |       |       |       |             |       |             |       |       |       |       |       |             |       |             |       |       |       |             |       |             |      |       |       |             |       |             |       |       |      |             |       |             |       |             |       |             |       |             |       |             |       |             |       |             |       |             |       |             |       |             |       |             |       |             |       |             |       |       |       |             |       |       |       |       |       |       |       |       |       |       |       |       |       |       |       |       |      |             |       |       |       |             |       |             |       |             |       |             |       |             |       |             |       |       |       |             |       |       |       |       |       |             |       |             |       |             |       |             |      |             |       |             |      |             |       |             |       |             |       |             |       |             |       |             |       |             |       |             |       |             |       |             |       |             |       |             |       |             |       |             |       |             |       |             |       |             |       |             |       |             |       |       |       |             |       |             |       |             |       |       |       |             |       |             |       |       |       |       |       |             |       |       |      |       |       |             |       |             |       |       |       |             |       |       |       |             |       |       |       |             |       |       |       |       |       |             |       |             |       |       |       |       |       |             |       |             |       |       |       |             |       |             |       |             |       |             |       |             |       |             |      |       |       |             |       |       |       |       |       |             |       |       |       |             |       |       |      |       |       |             |       |       |       |       |       |             |       |       |       |       |      |       |       |             |       |             |       |       |      |       |       |             |       |       |       |       |       |             |       |       |      |       |       |       |      |             |       |       |      |       |      |       |       |       |      |       |       |             |       |       |      |       |      |             |       |       |      |             |       |             |       |             |      |       |      |             |       |             |      |       |      |       |       |       |       |             |       |       |      |       |       |       |       |             |       |       |      |             |       |       |      |             |       |             |      |       |       |       |       |             |       |       |      |       |       |       |      |             |       |       |       |       |      |       |       |       |       |       |       |       |       |       |      |       |      |       |       |       |       |       |       |       |       |       |      |       |      |       |      |       |      |       |      |       |      |       |      |       |      |       |      |       |      |       |      |       |      |       |      |       |      |       |      |       |      |       |      |       |      |       |      |       |      |       |      |      |      |      |      |      |      |      |      |      |      |
| 144           | 2803       | 10.27    | 3.2                    |             |         | 169           | 2391       | 8.76        | 2.8                    |             |         | 190         | 2126  | 7.79        | 2.7   | 220         | 1834  | 6.72        | 3.6   | 271         | 1490  | 5.46        | 3.8   |             |       |             |       |             |       |             |       |             |       |             |       |             |       |             |       |             |       |             |       |             |       |             |       |             |       |             |       |             |       |             |       |             |       |             |       |             |       |             |       |             |       |             |       |             |       |             |       |             |       |             |       |             |       |             |       |             |       |             |       |             |       |             |       |             |       |             |       |             |       |             |       |             |       |             |       |             |       |             |       |             |       |             |       |             |       |             |       |             |       |             |       |             |       |             |       |             |       |             |       |             |       |             |       |             |       |             |       |             |       |             |       |             |       |             |       |             |       |             |       |             |       |             |       |       |       |             |       |       |       |       |       |       |       |       |       |       |       |       |       |       |       |       |       |       |       |       |       |       |       |       |       |       |       |       |       |             |       |       |      |             |       |             |      |             |       |             |       |             |       |             |      |             |       |             |       |             |       |             |       |             |       |             |       |             |       |             |       |             |       |             |       |             |       |             |       |             |       |             |       |             |       |             |       |             |       |             |       |             |       |             |       |       |       |             |       |             |       |             |       |       |       |             |       |             |       |             |       |       |       |             |       |             |       |       |       |       |       |             |       |             |       |       |       |             |       |             |      |       |       |             |       |             |       |       |      |             |       |             |       |             |       |             |       |             |       |             |       |             |       |             |       |             |       |             |       |             |       |             |       |             |       |             |       |       |       |             |       |       |       |       |       |       |       |       |       |       |       |       |       |       |       |       |      |             |       |       |       |             |       |             |       |             |       |             |       |             |       |             |       |       |       |             |       |       |       |       |       |             |       |             |       |             |       |             |      |             |       |             |      |             |       |             |       |             |       |             |       |             |       |             |       |             |       |             |       |             |       |             |       |             |       |             |       |             |       |             |       |             |       |             |       |             |       |             |       |             |       |       |       |             |       |             |       |             |       |       |       |             |       |             |       |       |       |       |       |             |       |       |      |       |       |             |       |             |       |       |       |             |       |       |       |             |       |       |       |             |       |       |       |       |       |             |       |             |       |       |       |       |       |             |       |             |       |       |       |             |       |             |       |             |       |             |       |             |       |             |      |       |       |             |       |       |       |       |       |             |       |       |       |             |       |       |      |       |       |             |       |       |       |       |       |             |       |       |       |       |      |       |       |             |       |             |       |       |      |       |       |             |       |       |       |       |       |             |       |       |      |       |       |       |      |             |       |       |      |       |      |       |       |       |      |       |       |             |       |       |      |       |      |             |       |       |      |             |       |             |       |             |      |       |      |             |       |             |      |       |      |       |       |       |       |             |       |       |      |       |       |       |       |             |       |       |      |             |       |       |      |             |       |             |      |       |       |       |       |             |       |       |      |       |       |       |      |             |       |       |       |       |      |       |       |       |       |       |       |       |       |       |      |       |      |       |       |       |       |       |       |       |       |       |      |       |      |       |      |       |      |       |      |       |      |       |      |       |      |       |      |       |      |       |      |       |      |       |      |       |      |       |      |       |      |       |      |       |      |       |      |       |      |       |      |      |      |      |      |      |      |      |      |      |      |
| 169           | 2391       | 8.76     | 2.8                    |             |         | 190           | 2126       | 7.79        | 2.7                    |             |         | 220         | 1834  | 6.72        | 3.6   | 271         | 1490  | 5.46        | 3.8   |             |       |             |       |             |       |             |       |             |       |             |       |             |       |             |       |             |       |             |       |             |       |             |       |             |       |             |       |             |       |             |       |             |       |             |       |             |       |             |       |             |       |             |       |             |       |             |       |             |       |             |       |             |       |             |       |             |       |             |       |             |       |             |       |             |       |             |       |             |       |             |       |             |       |             |       |             |       |             |       |             |       |             |       |             |       |             |       |             |       |             |       |             |       |             |       |             |       |             |       |             |       |             |       |             |       |             |       |             |       |             |       |             |       |             |       |             |       |             |       |             |       |             |       |             |       |             |       |       |       |             |       |       |       |       |       |       |       |       |       |       |       |       |       |       |       |       |       |       |       |       |       |       |       |       |       |       |       |       |       |             |       |       |      |             |       |             |      |             |       |             |       |             |       |             |      |             |       |             |       |             |       |             |       |             |       |             |       |             |       |             |       |             |       |             |       |             |       |             |       |             |       |             |       |             |       |             |       |             |       |             |       |             |       |             |       |       |       |             |       |             |       |             |       |       |       |             |       |             |       |             |       |       |       |             |       |             |       |       |       |       |       |             |       |             |       |       |       |             |       |             |      |       |       |             |       |             |       |       |      |             |       |             |       |             |       |             |       |             |       |             |       |             |       |             |       |             |       |             |       |             |       |             |       |             |       |             |       |       |       |             |       |       |       |       |       |       |       |       |       |       |       |       |       |       |       |       |      |             |       |       |       |             |       |             |       |             |       |             |       |             |       |             |       |       |       |             |       |       |       |       |       |             |       |             |       |             |       |             |      |             |       |             |      |             |       |             |       |             |       |             |       |             |       |             |       |             |       |             |       |             |       |             |       |             |       |             |       |             |       |             |       |             |       |             |       |             |       |             |       |             |       |       |       |             |       |             |       |             |       |       |       |             |       |             |       |       |       |       |       |             |       |       |      |       |       |             |       |             |       |       |       |             |       |       |       |             |       |       |       |             |       |       |       |       |       |             |       |             |       |       |       |       |       |             |       |             |       |       |       |             |       |             |       |             |       |             |       |             |       |             |      |       |       |             |       |       |       |       |       |             |       |       |       |             |       |       |      |       |       |             |       |       |       |       |       |             |       |       |       |       |      |       |       |             |       |             |       |       |      |       |       |             |       |       |       |       |       |             |       |       |      |       |       |       |      |             |       |       |      |       |      |       |       |       |      |       |       |             |       |       |      |       |      |             |       |       |      |             |       |             |       |             |      |       |      |             |       |             |      |       |      |       |       |       |       |             |       |       |      |       |       |       |       |             |       |       |      |             |       |       |      |             |       |             |      |       |       |       |       |             |       |       |      |       |       |       |      |             |       |       |       |       |      |       |       |       |       |       |       |       |       |       |      |       |      |       |       |       |       |       |       |       |       |       |      |       |      |       |      |       |      |       |      |       |      |       |      |       |      |       |      |       |      |       |      |       |      |       |      |       |      |       |      |       |      |       |      |       |      |       |      |       |      |       |      |      |      |      |      |      |      |      |      |      |      |
| 190           | 2126       | 7.79     | 2.7                    |             |         | 220           | 1834       | 6.72        | 3.6                    |             |         | 271         | 1490  | 5.46        | 3.8   |             |       |             |       |             |       |             |       |             |       |             |       |             |       |             |       |             |       |             |       |             |       |             |       |             |       |             |       |             |       |             |       |             |       |             |       |             |       |             |       |             |       |             |       |             |       |             |       |             |       |             |       |             |       |             |       |             |       |             |       |             |       |             |       |             |       |             |       |             |       |             |       |             |       |             |       |             |       |             |       |             |       |             |       |             |       |             |       |             |       |             |       |             |       |             |       |             |       |             |       |             |       |             |       |             |       |             |       |             |       |             |       |             |       |             |       |             |       |             |       |             |       |             |       |             |       |             |       |             |       |             |       |       |       |             |       |       |       |       |       |       |       |       |       |       |       |       |       |       |       |       |       |       |       |       |       |       |       |       |       |       |       |       |       |             |       |       |      |             |       |             |      |             |       |             |       |             |       |             |      |             |       |             |       |             |       |             |       |             |       |             |       |             |       |             |       |             |       |             |       |             |       |             |       |             |       |             |       |             |       |             |       |             |       |             |       |             |       |             |       |       |       |             |       |             |       |             |       |       |       |             |       |             |       |             |       |       |       |             |       |             |       |       |       |       |       |             |       |             |       |       |       |             |       |             |      |       |       |             |       |             |       |       |      |             |       |             |       |             |       |             |       |             |       |             |       |             |       |             |       |             |       |             |       |             |       |             |       |             |       |             |       |       |       |             |       |       |       |       |       |       |       |       |       |       |       |       |       |       |       |       |      |             |       |       |       |             |       |             |       |             |       |             |       |             |       |             |       |       |       |             |       |       |       |       |       |             |       |             |       |             |       |             |      |             |       |             |      |             |       |             |       |             |       |             |       |             |       |             |       |             |       |             |       |             |       |             |       |             |       |             |       |             |       |             |       |             |       |             |       |             |       |             |       |             |       |       |       |             |       |             |       |             |       |       |       |             |       |             |       |       |       |       |       |             |       |       |      |       |       |             |       |             |       |       |       |             |       |       |       |             |       |       |       |             |       |       |       |       |       |             |       |             |       |       |       |       |       |             |       |             |       |       |       |             |       |             |       |             |       |             |       |             |       |             |      |       |       |             |       |       |       |       |       |             |       |       |       |             |       |       |      |       |       |             |       |       |       |       |       |             |       |       |       |       |      |       |       |             |       |             |       |       |      |       |       |             |       |       |       |       |       |             |       |       |      |       |       |       |      |             |       |       |      |       |      |       |       |       |      |       |       |             |       |       |      |       |      |             |       |       |      |             |       |             |       |             |      |       |      |             |       |             |      |       |      |       |       |       |       |             |       |       |      |       |       |       |       |             |       |       |      |             |       |       |      |             |       |             |      |       |       |       |       |             |       |       |      |       |       |       |      |             |       |       |       |       |      |       |       |       |       |       |       |       |       |       |      |       |      |       |       |       |       |       |       |       |       |       |      |       |      |       |      |       |      |       |      |       |      |       |      |       |      |       |      |       |      |       |      |       |      |       |      |       |      |       |      |       |      |       |      |       |      |       |      |       |      |       |      |      |      |      |      |      |      |      |      |      |      |
| 220           | 1834       | 6.72     | 3.6                    |             |         | 271           | 1490       | 5.46        | 3.8                    |             |         |             |       |             |       |             |       |             |       |             |       |             |       |             |       |             |       |             |       |             |       |             |       |             |       |             |       |             |       |             |       |             |       |             |       |             |       |             |       |             |       |             |       |             |       |             |       |             |       |             |       |             |       |             |       |             |       |             |       |             |       |             |       |             |       |             |       |             |       |             |       |             |       |             |       |             |       |             |       |             |       |             |       |             |       |             |       |             |       |             |       |             |       |             |       |             |       |             |       |             |       |             |       |             |       |             |       |             |       |             |       |             |       |             |       |             |       |             |       |             |       |             |       |             |       |             |       |             |       |             |       |             |       |             |       |             |       |       |       |             |       |       |       |       |       |       |       |       |       |       |       |       |       |       |       |       |       |       |       |       |       |       |       |       |       |       |       |       |       |             |       |       |      |             |       |             |      |             |       |             |       |             |       |             |      |             |       |             |       |             |       |             |       |             |       |             |       |             |       |             |       |             |       |             |       |             |       |             |       |             |       |             |       |             |       |             |       |             |       |             |       |             |       |             |       |       |       |             |       |             |       |             |       |       |       |             |       |             |       |             |       |       |       |             |       |             |       |       |       |       |       |             |       |             |       |       |       |             |       |             |      |       |       |             |       |             |       |       |      |             |       |             |       |             |       |             |       |             |       |             |       |             |       |             |       |             |       |             |       |             |       |             |       |             |       |             |       |       |       |             |       |       |       |       |       |       |       |       |       |       |       |       |       |       |       |       |      |             |       |       |       |             |       |             |       |             |       |             |       |             |       |             |       |       |       |             |       |       |       |       |       |             |       |             |       |             |       |             |      |             |       |             |      |             |       |             |       |             |       |             |       |             |       |             |       |             |       |             |       |             |       |             |       |             |       |             |       |             |       |             |       |             |       |             |       |             |       |             |       |             |       |       |       |             |       |             |       |             |       |       |       |             |       |             |       |       |       |       |       |             |       |       |      |       |       |             |       |             |       |       |       |             |       |       |       |             |       |       |       |             |       |       |       |       |       |             |       |             |       |       |       |       |       |             |       |             |       |       |       |             |       |             |       |             |       |             |       |             |       |             |      |       |       |             |       |       |       |       |       |             |       |       |       |             |       |       |      |       |       |             |       |       |       |       |       |             |       |       |       |       |      |       |       |             |       |             |       |       |      |       |       |             |       |       |       |       |       |             |       |       |      |       |       |       |      |             |       |       |      |       |      |       |       |       |      |       |       |             |       |       |      |       |      |             |       |       |      |             |       |             |       |             |      |       |      |             |       |             |      |       |      |       |       |       |       |             |       |       |      |       |       |       |       |             |       |       |      |             |       |       |      |             |       |             |      |       |       |       |       |             |       |       |      |       |       |       |      |             |       |       |       |       |      |       |       |       |       |       |       |       |       |       |      |       |      |       |       |       |       |       |       |       |       |       |      |       |      |       |      |       |      |       |      |       |      |       |      |       |      |       |      |       |      |       |      |       |      |       |      |       |      |       |      |       |      |       |      |       |      |       |      |       |      |       |      |      |      |      |      |      |      |      |      |      |      |
| 271           | 1490       | 5.46     | 3.8                    |             |         |               |            |             |                        |             |         |             |       |             |       |             |       |             |       |             |       |             |       |             |       |             |       |             |       |             |       |             |       |             |       |             |       |             |       |             |       |             |       |             |       |             |       |             |       |             |       |             |       |             |       |             |       |             |       |             |       |             |       |             |       |             |       |             |       |             |       |             |       |             |       |             |       |             |       |             |       |             |       |             |       |             |       |             |       |             |       |             |       |             |       |             |       |             |       |             |       |             |       |             |       |             |       |             |       |             |       |             |       |             |       |             |       |             |       |             |       |             |       |             |       |             |       |             |       |             |       |             |       |             |       |             |       |             |       |             |       |             |       |             |       |             |       |       |       |             |       |       |       |       |       |       |       |       |       |       |       |       |       |       |       |       |       |       |       |       |       |       |       |       |       |       |       |       |       |             |       |       |      |             |       |             |      |             |       |             |       |             |       |             |      |             |       |             |       |             |       |             |       |             |       |             |       |             |       |             |       |             |       |             |       |             |       |             |       |             |       |             |       |             |       |             |       |             |       |             |       |             |       |             |       |       |       |             |       |             |       |             |       |       |       |             |       |             |       |             |       |       |       |             |       |             |       |       |       |       |       |             |       |             |       |       |       |             |       |             |      |       |       |             |       |             |       |       |      |             |       |             |       |             |       |             |       |             |       |             |       |             |       |             |       |             |       |             |       |             |       |             |       |             |       |             |       |       |       |             |       |       |       |       |       |       |       |       |       |       |       |       |       |       |       |       |      |             |       |       |       |             |       |             |       |             |       |             |       |             |       |             |       |       |       |             |       |       |       |       |       |             |       |             |       |             |       |             |      |             |       |             |      |             |       |             |       |             |       |             |       |             |       |             |       |             |       |             |       |             |       |             |       |             |       |             |       |             |       |             |       |             |       |             |       |             |       |             |       |             |       |       |       |             |       |             |       |             |       |       |       |             |       |             |       |       |       |       |       |             |       |       |      |       |       |             |       |             |       |       |       |             |       |       |       |             |       |       |       |             |       |       |       |       |       |             |       |             |       |       |       |       |       |             |       |             |       |       |       |             |       |             |       |             |       |             |       |             |       |             |      |       |       |             |       |       |       |       |       |             |       |       |       |             |       |       |      |       |       |             |       |       |       |       |       |             |       |       |       |       |      |       |       |             |       |             |       |       |      |       |       |             |       |       |       |       |       |             |       |       |      |       |       |       |      |             |       |       |      |       |      |       |       |       |      |       |       |             |       |       |      |       |      |             |       |       |      |             |       |             |       |             |      |       |      |             |       |             |      |       |      |       |       |       |       |             |       |       |      |       |       |       |       |             |       |       |      |             |       |       |      |             |       |             |      |       |       |       |       |             |       |       |      |       |       |       |      |             |       |       |       |       |      |       |       |       |       |       |       |       |       |       |      |       |      |       |       |       |       |       |       |       |       |       |      |       |      |       |      |       |      |       |      |       |      |       |      |       |      |       |      |       |      |       |      |       |      |       |      |       |      |       |      |       |      |       |      |       |      |       |      |       |      |       |      |      |      |      |      |      |      |      |      |      |      |

减速机的外形安装尺寸在95页到101页里查找。The appearance of reducer installation dimensions in 95 to 101 page search page.



| 输出转速<br>r/min | 输出扭矩<br>Nm | 传动比<br>i | 使用系数<br>f <sub>B</sub> | 机型号<br>Type | 极数<br>p | 输出转速<br>r/min | 输出扭矩<br>Nm | 传动比<br>i | 使用系数<br>f <sub>B</sub> | 机型号<br>Type | 极数<br>p |
|---------------|------------|----------|------------------------|-------------|---------|---------------|------------|----------|------------------------|-------------|---------|
| <b>90kW</b>   |            |          |                        |             |         |               |            |          |                        |             |         |
| 45            | 17998      | 32.97    | 0.94                   |             |         |               |            |          |                        |             |         |
| 53            | 15263      | 27.96    | 1.11                   |             |         |               |            |          |                        |             |         |
| 58            | 13882      | 25.43    | 1.02                   |             |         |               |            |          |                        |             |         |
| 67            | 12097      | 22.16    | 1.40                   |             |         |               |            |          |                        |             |         |
| 75            | 10792      | 19.77    | 1.48                   | F 157       | 4       |               |            |          |                        |             |         |
| 88            | 9198       | 16.85    | 1.84                   |             |         |               |            |          |                        |             |         |
| 106           | 7621       | 13.96    | 2.1                    |             |         |               |            |          |                        |             |         |
| 124           | 6507       | 11.92    | 2.3                    |             |         |               |            |          |                        |             |         |
| 58            | 13920      | 25.50    | 0.81                   |             |         |               |            |          |                        |             |         |
| 69            | 11764      | 21.55    | 0.96                   |             |         |               |            |          |                        |             |         |
| 78            | 10378      | 19.01    | 1.00                   |             |         |               |            |          |                        |             |         |
| 90            | 8953       | 16.48    | 1.15                   |             |         |               |            |          |                        |             |         |
| 101           | 8008       | 14.67    | 1.29                   |             |         |               |            |          |                        |             |         |
| 117           | 6900       | 12.64    | 1.36                   |             |         |               |            |          |                        |             |         |
| 144           | 5606       | 10.27    | 1.59                   | F 127       | 4       |               |            |          |                        |             |         |
| 169           | 4782       | 8.76     | 1.38                   |             |         |               |            |          |                        |             |         |
| 190           | 4253       | 7.79     | 1.33                   |             |         |               |            |          |                        |             |         |
| 220           | 3668       | 6.72     | 1.79                   |             |         |               |            |          |                        |             |         |
| 271           | 2981       | 5.46     | 1.89                   |             |         |               |            |          |                        |             |         |
| 320           | 2528       | 4.63     | 2.2                    |             |         |               |            |          |                        |             |         |
| <b>110kW</b>  |            |          |                        |             |         |               |            |          |                        |             |         |
| 53            | 18530      | 27.96    | 0.91                   |             |         |               |            |          |                        |             |         |
| 67            | 14686      | 22.16    | 1.15                   |             |         |               |            |          |                        |             |         |
| 75            | 13102      | 19.77    | 1.22                   |             |         |               |            |          |                        |             |         |
| 88            | 11167      | 16.85    | 1.52                   | F 157       | 4       |               |            |          |                        |             |         |
| 107           | 9252       | 13.96    | 1.73                   |             |         |               |            |          |                        |             |         |
| 125           | 7900       | 11.92    | 1.90                   |             |         |               |            |          |                        |             |         |
| <b>132kW</b>  |            |          |                        |             |         |               |            |          |                        |             |         |
| 67            | 17623      | 22.16    | 0.96                   |             |         |               |            |          |                        |             |         |
| 75            | 15723      | 19.77    | 1.02                   |             |         |               |            |          |                        |             |         |
| 88            | 13400      | 16.85    | 1.26                   | F 157       | 4       |               |            |          |                        |             |         |
| 107           | 11102      | 13.96    | 1.44                   |             |         |               |            |          |                        |             |         |
| 125           | 9480       | 11.92    | 1.59                   |             |         |               |            |          |                        |             |         |
| <b>160kW</b>  |            |          |                        |             |         |               |            |          |                        |             |         |
| 88            | 16243      | 16.85    | 1.04                   |             |         |               |            |          |                        |             |         |
| 107           | 13457      | 13.96    | 1.19                   | F 157       | 4       |               |            |          |                        |             |         |
| 125           | 11491      | 11.92    | 1.31                   |             |         |               |            |          |                        |             |         |
| <b>200kW</b>  |            |          |                        |             |         |               |            |          |                        |             |         |
| 88            | 20304      | 16.85    | 0.83                   |             |         |               |            |          |                        |             |         |
| 107           | 16821      | 13.96    | 0.95                   | F 157       | 4       |               |            |          |                        |             |         |
| 125           | 14363      | 11.92    | 1.05                   |             |         |               |            |          |                        |             |         |

减速机的外形安装尺寸在95页到101页里查找。The appearance of reducer installation dimensions in 95 to 101 page search page.

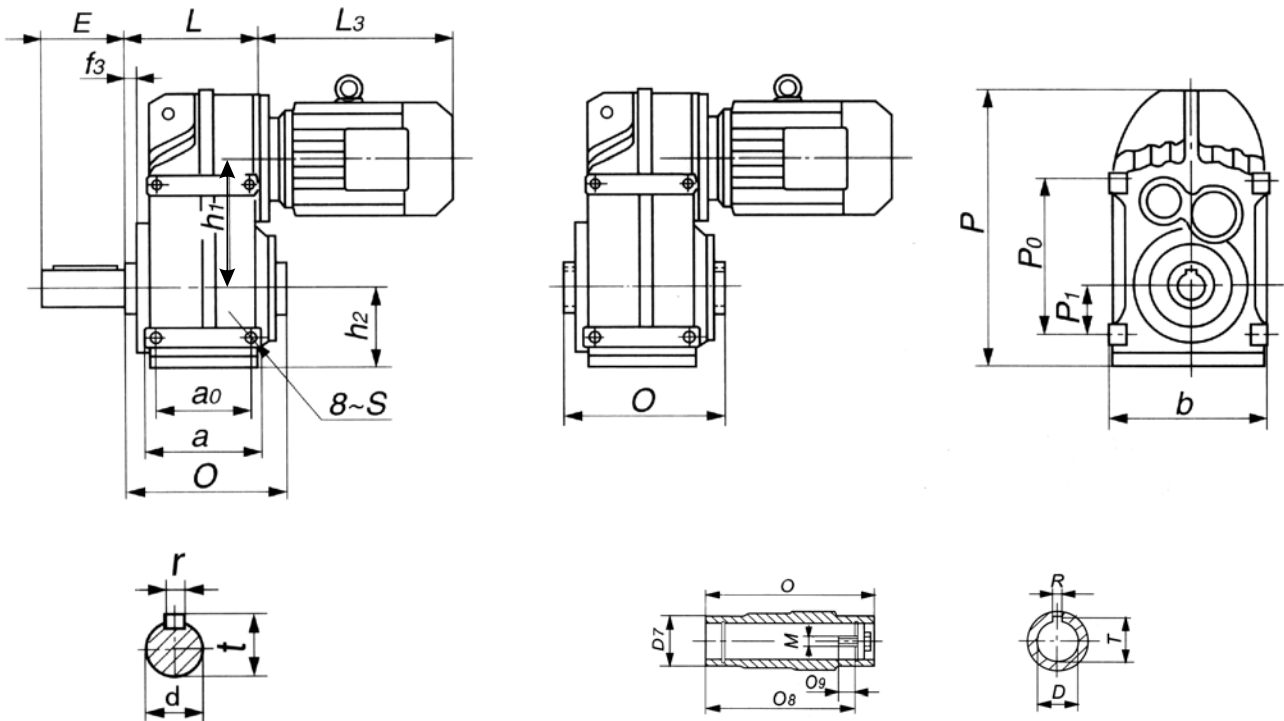
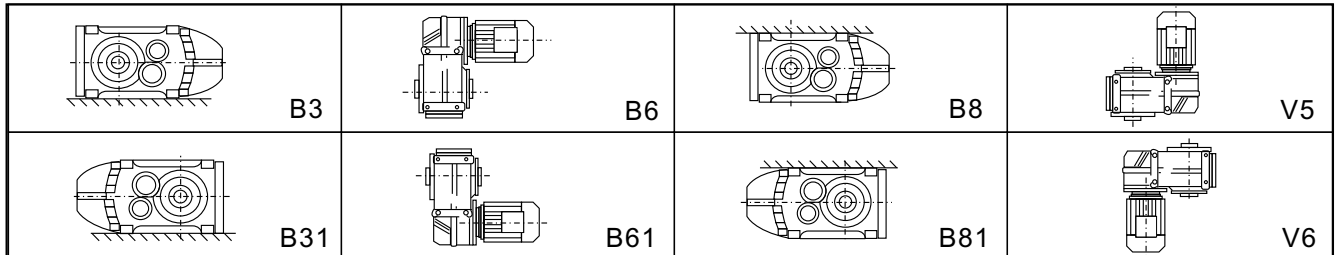


## 5. 安装方位和尺寸图表

### 5.1 FW底座式(空心轴, 实心轴)

## 5. Mounting position and dimension sheets

### 5.1 FW foot-mounted(hollow shaft, solid shaft)



F..Y底座式 (实心轴)  
Foot-mounted (solid shaft)

FW..Y底座式 (空心轴)  
Foot-mounted (hollow shaft)

| 型号   | a   | a0  | b   | D     | D7  | d   | E   | f3  | h1    | h2  | L     | M   | O   | O8  | O9 | P    | P0  | P1  | r  | R  | S   | t    | T     |
|------|-----|-----|-----|-------|-----|-----|-----|-----|-------|-----|-------|-----|-----|-----|----|------|-----|-----|----|----|-----|------|-------|
| F37  | 95  | 77  | 165 | 30H7  | 45  | 25  | 50  | 1.5 | 112   | 76  | 110.5 | M10 | 120 | 105 | 15 | 252  | 115 | 31  | 8  | 8  | M8  | 28   | 33.3  |
| F47  | 109 | 93  | 180 | 35H7  | 50  | 30  | 60  | 1.5 | 128.1 | 77  | 134   | M12 | 150 | 130 | 20 | 269  | 145 | 43  | 8  | 10 | M10 | 33   | 38.3  |
| F57  | 126 | 102 | 200 | 40H7  | 55  | 35  | 70  | 2   | 136   | 93  | 151   | M16 | 166 | 142 | 22 | 317  | 170 | 55  | 10 | 12 | M12 | 38   | 43.3  |
| F67  | 131 | 112 | 212 | 40H7  | 55  | 40  | 80  | 2   | 159.5 | 97  | 160   | M16 | 180 | 156 | 24 | 343  | 190 | 60  | 12 | 12 | M12 | 43   | 43.3  |
| F77  | 165 | 140 | 270 | 50H7  | 70  | 50  | 100 | 2   | 200   | 121 | 192   | M16 | 210 | 183 | 27 | 426  | 240 | 70  | 14 | 14 | M16 | 53.5 | 53.8  |
| F87  | 195 | 165 | 330 | 60H7  | 85  | 60  | 120 | 2   | 246.7 | 152 | 220.5 | M20 | 240 | 210 | 30 | 531  | 310 | 100 | 18 | 18 | M16 | 64   | 64.4  |
| F97  | 240 | 205 | 400 | 70H7  | 95  | 70  | 140 | 2   | 285   | 178 | 274   | M20 | 300 | 270 | 30 | 623  | 350 | 120 | 20 | 20 | M20 | 74.5 | 74.9  |
| F107 | 260 | 220 | 450 | 90H7  | 120 | 90  | 170 | 2.5 | 332.4 | 200 | 312   | M24 | 350 | 310 | 40 | 717  | 400 | 125 | 25 | 25 | M24 | 95   | 95.4  |
| F127 | 316 | 270 | 530 | 100H7 | 135 | 110 | 210 | 2.5 | 382.6 | 236 | 367.5 | M24 | 410 | 370 | 40 | 856  | 450 | 142 | 28 | 28 | M30 | 106  | 106.4 |
| F157 | 364 | 310 | 660 | 120H7 | 155 | 120 | 210 | 5   | 447   | 286 | 443   | M24 | 500 | 457 | 43 | 1021 | 540 | 170 | 32 | 32 | M36 | 127  | 127.4 |

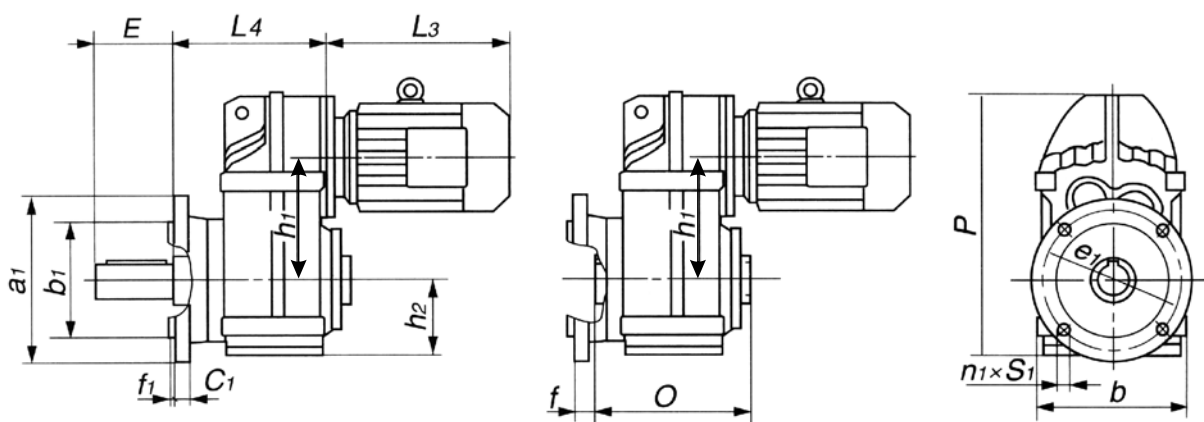
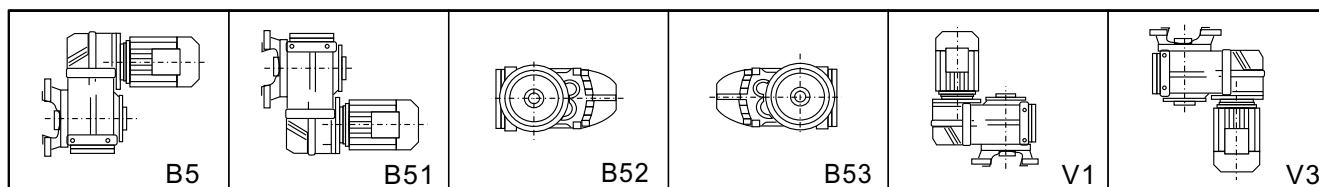
L3详细尺寸见第300页。

For L3 details, see page 300.

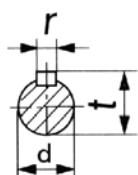


## 5.2 FF法兰式(空心轴, 实心轴)

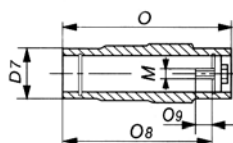
## 5.2 FF flange-mounted(hollow shaft, solid shaft)



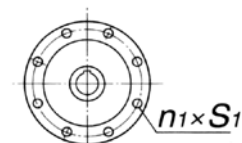
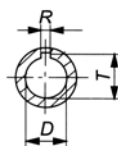
(F37~F87)



FF..Y法兰式 (实心轴)  
Flange-mounted (solid shaft)



FL..Y法兰式 (空心轴)  
Flange-mounted (hollow shaft)



(F97~F157)

| 型号   | a1  | b   | b1  | C1 | d   | D     | D7  | E   | e1  | f    | f1  | h1    | h2  | L4  | M   | n1 | O   | O8  | O9 | P    | r  | R  | S1   | t    | T     |
|------|-----|-----|-----|----|-----|-------|-----|-----|-----|------|-----|-------|-----|-----|-----|----|-----|-----|----|------|----|----|------|------|-------|
| F37  | 160 | 165 | 110 | 10 | 25  | 30H7  | 45  | 50  | 130 | 24   | 3.5 | 112   | 76  | 140 | M10 | 4  | 120 | 105 | 17 | 252  | 8  | 8  | 9    | 28   | 33.3  |
| F47  | 200 | 180 | 130 | 12 | 30  | 35H7  | 50  | 60  | 165 | 25   | 3.5 | 128.1 | 77  | 162 | M12 | 4  | 150 | 130 | 22 | 269  | 8  | 10 | 11   | 33   | 38.3  |
| F57  | 250 | 200 | 180 | 15 | 35  | 40H7  | 55  | 70  | 215 | 23.5 | 4   | 136   | 93  | 173 | M16 | 4  | 166 | 142 | 26 | 317  | 10 | 12 | 13.5 | 38   | 43.3  |
| F67  | 250 | 212 | 180 | 15 | 40  | 40H7  | 55  | 80  | 215 | 23   | 4   | 159.5 | 97  | 195 | M16 | 4  | 180 | 156 | 29 | 343  | 12 | 12 | 13.5 | 43   | 43.3  |
| F77  | 300 | 270 | 230 | 16 | 50  | 50H7  | 70  | 100 | 265 | 37   | 4   | 200   | 121 | 231 | M16 | 4  | 210 | 183 | 32 | 426  | 14 | 14 | 13.5 | 53.5 | 53.8  |
| F87  | 350 | 330 | 250 | 18 | 60  | 60H7  | 85  | 120 | 300 | 30   | 5   | 246.7 | 152 | 259 | M20 | 4  | 240 | 210 | 34 | 531  | 18 | 18 | 17.5 | 64   | 64.4  |
| F97  | 450 | 400 | 350 | 22 | 70  | 70H7  | 95  | 140 | 400 | 41.5 | 5   | 285   | 178 | 314 | M20 | 8  | 300 | 270 | 36 | 623  | 20 | 20 | 17.5 | 74.5 | 74.9  |
| F107 | 450 | 450 | 350 | 22 | 90  | 90H7  | 120 | 170 | 400 | 40.5 | 5   | 332.4 | 200 | 362 | M24 | 8  | 350 | 310 | 40 | 710  | 25 | 25 | 17.5 | 95   | 95.4  |
| F127 | 550 | 530 | 450 | 25 | 110 | 100H7 | 135 | 210 | 500 | 51   | 5   | 382.6 | 236 | 427 | M24 | 8  | 410 | 370 | 40 | 853  | 28 | 28 | 17.5 | 116  | 106.4 |
| F157 | 660 | 660 | 550 | 28 | 120 | 120H7 | 155 | 210 | 600 | 60   | 6   | 447   | 286 | 515 | M24 | 8  | 500 | 457 | 40 | 1024 | 32 | 32 | 22   | 127  | 127.4 |

L3详细尺寸见第300页。

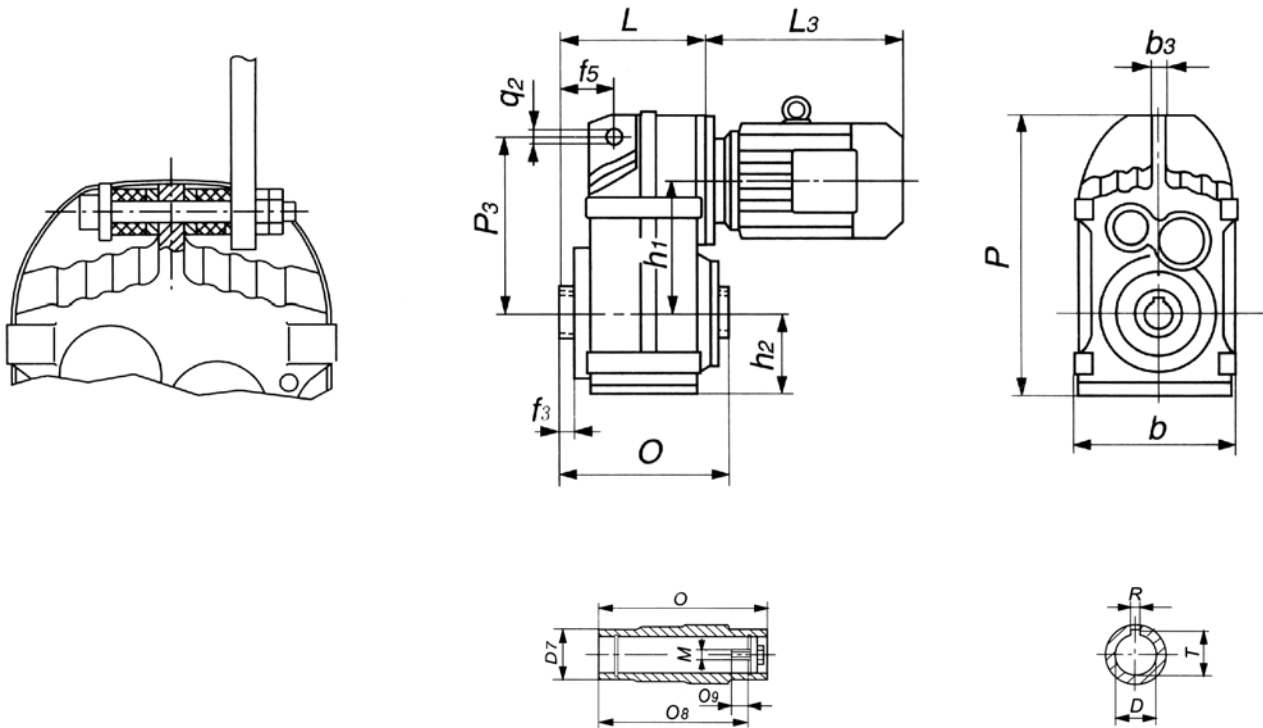
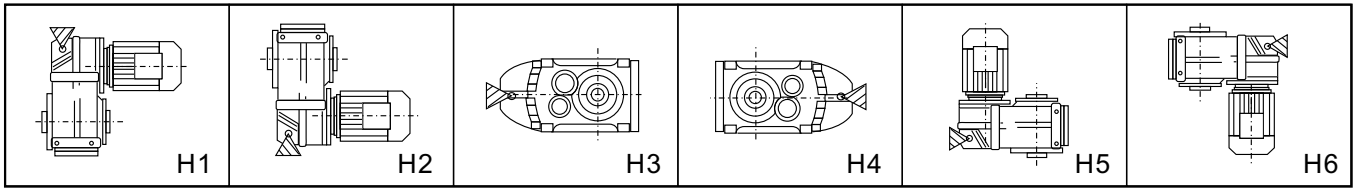
For L3 details, see page 300.





5.3 FA扭力臂式

5.3 FA torque arm-mounted



FA/T..Y带扭力臂附件式  
Torque arm-mounted with appurtenances

FA..Y扭力臂式  
Torque arm-mounted

| 型号   | b   | b3 | D     | D7  | f3  | f5   | h1    | h2  | L     | M   | O   | O8  | O9 | P    | P3  | q2 | R  | T     |
|------|-----|----|-------|-----|-----|------|-------|-----|-------|-----|-----|-----|----|------|-----|----|----|-------|
| F37  | 165 | 12 | 30H7  | 45  | 1.5 | 31.5 | 112   | 76  | 116.0 | M10 | 120 | 105 | 17 | 252  | 158 | 14 | 8  | 33.3  |
| F47  | 180 | 14 | 35H7  | 50  | 1.5 | 32   | 128.1 | 77  | 138   | M12 | 150 | 130 | 22 | 269  | 170 | 14 | 10 | 38.3  |
| F57  | 200 | 15 | 40H7  | 55  | 2   | 38   | 136   | 93  | 150   | M16 | 166 | 142 | 26 | 317  | 198 | 14 | 12 | 43.3  |
| F67  | 212 | 16 | 40H7  | 55  | 2   | 41   | 159.5 | 97  | 172   | M16 | 180 | 156 | 29 | 343  | 218 | 14 | 12 | 43.3  |
| F77  | 270 | 20 | 50H7  | 70  | 2   | 50   | 200   | 121 | 194   | M16 | 210 | 183 | 32 | 426  | 278 | 22 | 14 | 53.8  |
| F87  | 330 | 26 | 60H7  | 85  | 2   | 62   | 246.7 | 152 | 229.0 | M20 | 240 | 210 | 34 | 531  | 346 | 22 | 18 | 64.4  |
| F97  | 400 | 30 | 70H7  | 95  | 2   | 70   | 285   | 178 | 272   | M20 | 300 | 270 | 36 | 623  | 395 | 26 | 20 | 74.9  |
| F107 | 450 | 36 | 90H7  | 120 | 2.5 | 88   | 332.4 | 200 | 321   | M24 | 350 | 310 | 40 | 710  | 485 | 26 | 25 | 95.4  |
| F127 | 530 | 40 | 100H7 | 135 | 2.5 | 110  | 382.6 | 236 | 376.0 | M24 | 410 | 370 | 40 | 853  | 550 | 33 | 28 | 106.4 |
| F157 | 660 | 45 | 120H7 | 155 | 5   | 150  | 447   | 286 | 455   | M24 | 500 | 457 | 40 | 1024 | 660 | 33 | 32 | 127.4 |

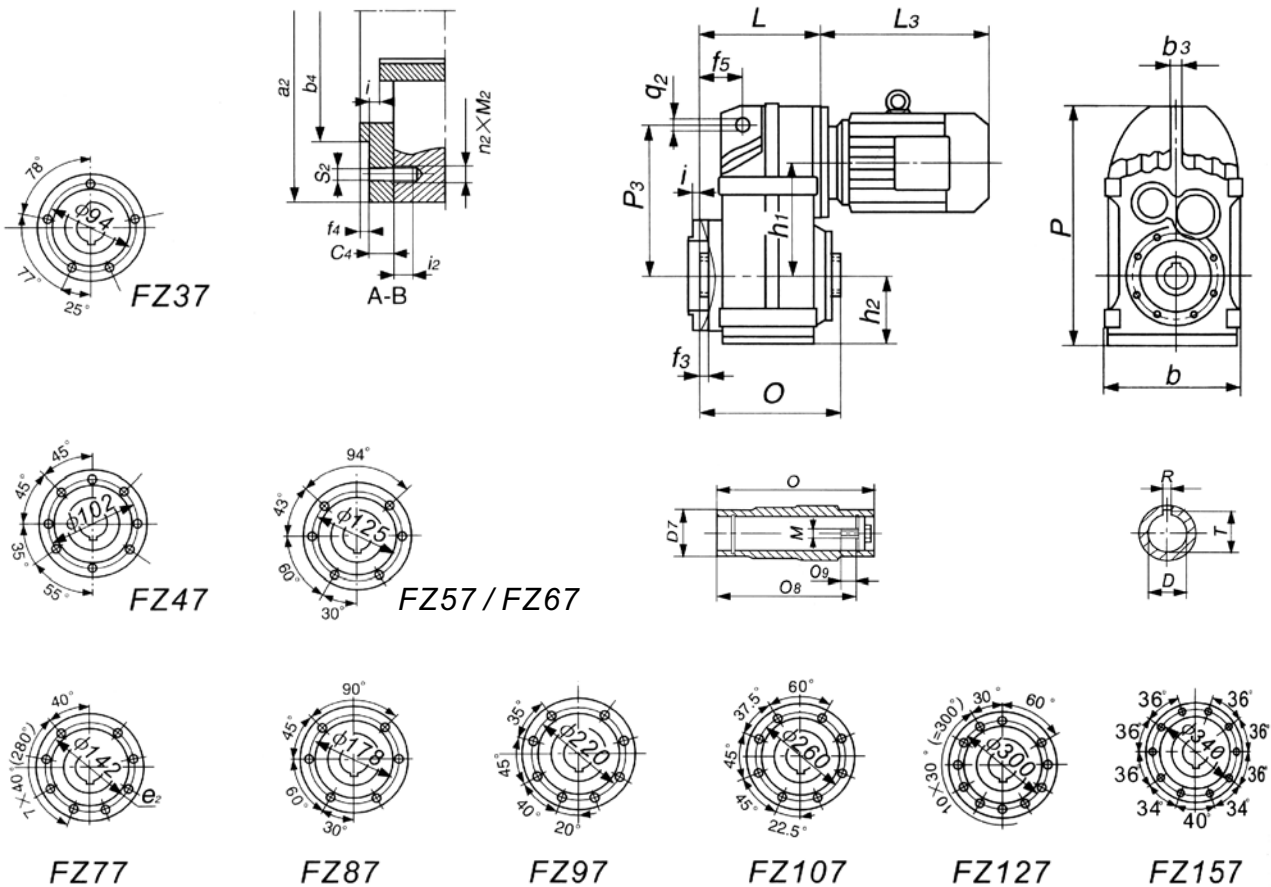
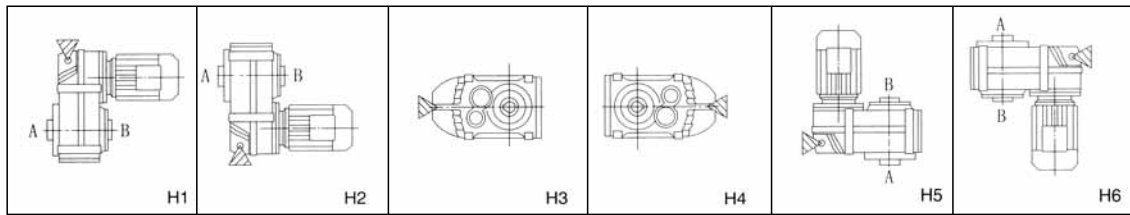
L3详细尺寸见第300页。

For L3 details, see page 300.



### 5.4 FZ小法兰式

### 5.4 FZ small flange-mounted



FZ..Y小法兰式  
Small flange-mounted

| 型号   | a2  | b   | b3 | b4  | c4 | D   | D7  | f3  | f4  | f5   | h2  | i    | i2 | L     | M   | M2  | n2 | O   | O8  | O9 | p    | p3  | q2 | R  | S2   | T     |
|------|-----|-----|----|-----|----|-----|-----|-----|-----|------|-----|------|----|-------|-----|-----|----|-----|-----|----|------|-----|----|----|------|-------|
| F37  | 110 | 165 | 12 | 80  | 11 | 30  | 45  | 1.5 | 3   | 31.5 | 76  | 9.5  | 14 | 116.0 | M10 | M8  | 5  | 120 | 105 | 17 | 252  | 158 | 14 | 8  | 9    | 33.3  |
| F47  | 120 | 180 | 14 | 80  | 11 | 35  | 50  | 1.5 | 3   | 32   | 77  | 9.5  | 14 | 138   | M12 | M8  | 8  | 150 | 130 | 22 | 269  | 170 | 14 | 10 | 9    | 38.3  |
| F57  | 155 | 200 | 14 | 105 | 12 | 40  | 55  | 2   | 3.5 | 38   | 93  | 10   | 18 | 150   | M16 | M12 | 6  | 166 | 142 | 26 | 317  | 198 | 14 | 12 | 13.5 | 43.3  |
| F67  | 155 | 212 | 16 | 105 | 12 | 40  | 55  | 2   | 3.5 | 41   | 97  | 10   | 20 | 172   | M16 | M12 | 6  | 180 | 156 | 29 | 343  | 218 | 14 | 12 | 13.5 | 43.3  |
| F77  | 170 | 270 | 20 | 125 | 14 | 50  | 70  | 2   | 3.5 | 50   | 121 | 12   | 20 | 194   | M16 | M12 | 8  | 210 | 183 | 32 | 426  | 278 | 22 | 14 | 13.5 | 53.8  |
| F87  | 215 | 330 | 26 | 155 | 15 | 60  | 85  | 2   | 4   | 62   | 152 | 13   | 26 | 229.0 | M20 | M16 | 6  | 240 | 210 | 34 | 531  | 346 | 22 | 18 | 17.5 | 64.4  |
| F97  | 260 | 400 | 30 | 180 | 18 | 70  | 95  | 2   | 4   | 70   | 178 | 16   | 26 | 272   | M20 | M16 | 8  | 300 | 270 | 36 | 623  | 395 | 26 | 20 | 17.5 | 74.9  |
| F107 | 304 | 450 | 36 | 210 | 22 | 90  | 120 | 2.5 | 4   | 88   | 200 | 19.5 | 32 | 311   | M24 | M20 | 8  | 350 | 310 | 40 | 710  | 485 | 26 | 25 | 22   | 95.4  |
| F127 | 350 | 530 | 40 | 250 | 28 | 100 | 140 | 2.5 | 5   | 110  | 236 | 25.5 | 32 | 376.0 | M24 | M20 | 11 | 410 | 370 | 40 | 853  | 550 | 33 | 28 | 22   | 106.4 |
| F157 | 400 | 660 | 45 | 290 | 58 | 120 | 160 | 5   | 5   | 150  | 286 | 25   | 36 | 455   | M24 | M24 | 10 | 500 | 457 | 40 | 1024 | 660 | 33 | 32 | 26   | 127.4 |

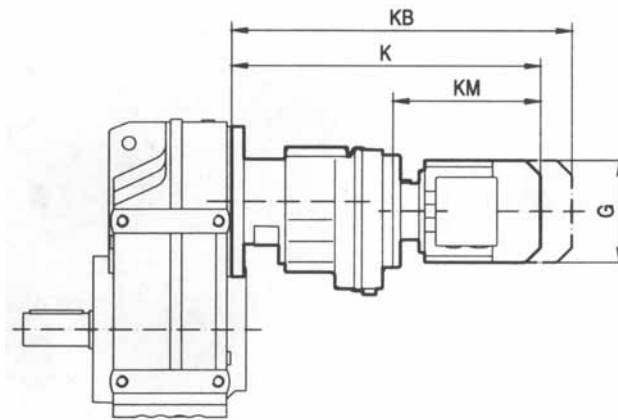
L3详细尺寸见第300页。

For L3 details, see page 300.



5.5 F/R组合式

5.5 Combination of F/R



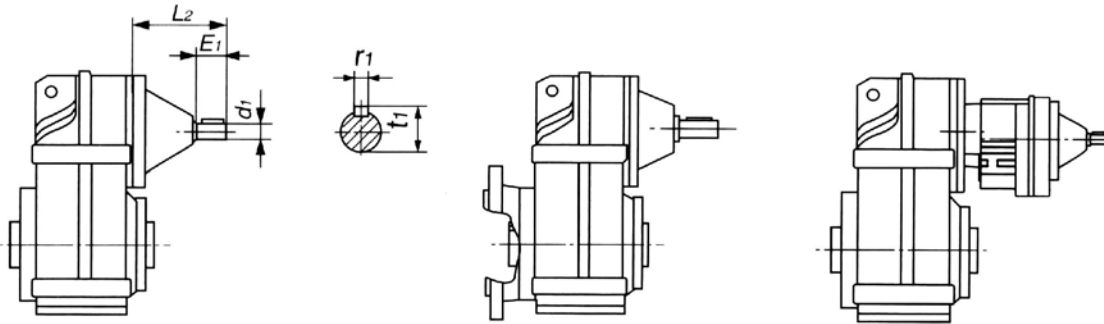
|                      |         | G   | K   | KB  | KM  |
|----------------------|---------|-----|-----|-----|-----|
| F..37R17<br>F..47R17 | Y 63    | 132 | 338 | 395 | 163 |
|                      | Y 71    | 145 | 339 | 403 | 164 |
|                      | Y 80    | 145 | 389 | 453 | 214 |
| F..57R37             | Y 63    | 132 | 370 | 427 | 205 |
|                      | Y 71    | 145 | 371 | 435 | 206 |
|                      | Y80     | 145 | 421 | 485 | 256 |
| F..67R37             | Y 63    | 132 | 370 | 427 | 205 |
|                      | Y 71    | 145 | 371 | 435 | 206 |
|                      | Y 80    | 145 | 421 | 485 | 256 |
|                      | Y 90    | 197 | 441 | 526 | 276 |
| F77R37               | Y 63    | 132 | 362 | 419 | 205 |
|                      | Y 71    | 145 | 363 | 427 | 206 |
|                      | Y 80    | 145 | 413 | 477 | 256 |
| F..87R57             | Y 63    | 132 | 415 | 472 | 199 |
|                      | Y 71    | 145 | 415 | 479 | 199 |
|                      | Y 80    | 145 | 465 | 529 | 249 |
|                      | Y 90    | 197 | 485 | 570 | 269 |
|                      | Y 100M  | 197 | 535 | 620 | 319 |
|                      | Y 100L  | 197 | 565 | 650 | 349 |
| F..97R57             | Y 63    | 132 | 410 | 467 | 199 |
|                      | Y 71    | 145 | 410 | 474 | 199 |
|                      | Y 80    | 145 | 460 | 524 | 249 |
|                      | Y 90    | 197 | 480 | 565 | 269 |
|                      | Y 100M  | 197 | 530 | 615 | 319 |
|                      | Y 100L  | 197 | 560 | 645 | 349 |
| F..107R77            | Y 63    | 132 | 440 | 497 | 193 |
|                      | Y 71    | 145 | 440 | 504 | 193 |
|                      | Y 80    | 145 | 490 | 554 | 243 |
|                      | Y 90    | 197 | 508 | 593 | 261 |
|                      | Y 100M  | 197 | 558 | 643 | 311 |
|                      | Y 100L  | 197 | 588 | 673 | 341 |
|                      | Y 112M  | 221 | 592 | 672 | 345 |
|                      | Y 132S  | 221 | 637 | 717 | 390 |
|                      | Y 132M  | 275 | 659 | 771 | 412 |
|                      | Y 132ML | 275 | 719 | 831 | 472 |
|                      | Y 160M  | 275 | 719 | 831 | 472 |

|           |           | G    | K    | KB   | KM  |
|-----------|-----------|------|------|------|-----|
| F..127R77 | Y 63      | 132  | 425  | 482  | 193 |
|           | Y 71      | 145  | 425  | 489  | 193 |
|           | Y 80      | 145  | 475  | 539  | 243 |
|           | Y 90      | 197  | 493  | 578  | 261 |
|           | Y 100M    | 197  | 543  | 628  | 311 |
|           | Y 100L    | 197  | 573  | 658  | 341 |
|           | Y 112M    | 221  | 577  | 657  | 345 |
|           | Y 132S    | 221  | 622  | 702  | 390 |
|           | Y 132M    | 275  | 644  | 756  | 412 |
|           | Y 132ML   | 275  | 704  | 816  | 472 |
|           | Y 160M    | 275  | 704  | 816  | 472 |
| F..127R87 | Y 90      | 197  | 537  | 622  | 257 |
|           | Y 100M    | 197  | 587  | 672  | 307 |
|           | Y 100L    | 197  | 617  | 702  | 337 |
|           | Y 112M    | 221  | 620  | 700  | 340 |
|           | Y 132S    | 221  | 665  | 745  | 385 |
|           | Y 132M    | 275  | 687  | 799  | 407 |
|           | Y 132ML   | 275  | 747  | 859  | 467 |
|           | Y 160M    | 275  | 747  | 859  | 467 |
|           | Y 160L    | 331  | 794  | 950  | 514 |
|           | Y 180     | 331  | 866  | 1022 | 586 |
|           | F..157R97 | Y 80 | 145  | 556  | 620 |
| Y90       |           | 197  | 576  | 661  | 251 |
| Y 100M    |           | 197  | 626  | 711  | 301 |
| Y 100L    |           | 197  | 656  | 741  | 331 |
| Y 112M    |           | 221  | 660  | 740  | 335 |
| Y 132S    |           | 221  | 705  | 785  | 380 |
| Y 132M    |           | 275  | 727  | 839  | 402 |
| Y 132ML   |           | 275  | 787  | 899  | 462 |
| Y 160M    |           | 275  | 787  | 899  | 462 |
| Y 160L    |           | 331  | 834  | 990  | 509 |
| Y 180     |           | 331  | 906  | 1062 | 581 |
| Y 200     | 394       | 954  | 1110 | 629  |     |



## 6. 输入轴

## 6. Input shaft

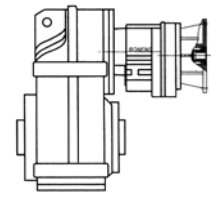
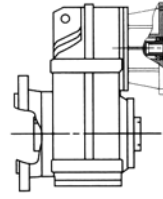
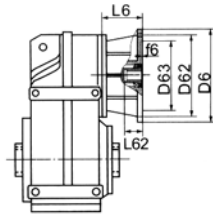
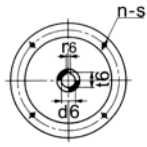


|                |     | d1 | E1  | L2  | r1 | t1   |  |
|----------------|-----|----|-----|-----|----|------|--|
| F..37<br>F..47 | AD1 | 16 | 40  | 115 | 5  | 18   | F37/R17<br>F47/R17<br>F67/R37<br>F77/R37 |
|                | AD2 | 19 | 40  | 115 | 6  | 21.5 |  |
| F..57<br>F..67 | AD2 | 19 | 40  | 120 | 6  | 21.5 | F87/R57<br>F97/R67                       |
|                | AD3 | 24 | 50  | 130 | 8  | 27   |  |
| F..77          | AD2 | 19 | 40  | 130 | 6  | 21.5 | F107/R77<br>F127/R77                     |
|                | AD3 | 24 | 50  | 140 | 8  | 27   |  |
|                | AD4 | 38 | 50  | 140 | 10 | 41   |  |
| F..87          | AD2 | 19 | 40  | 160 | 6  | 21.5 | F127/R87                                 |
|                | AD3 | 28 | 60  | 180 | 8  | 31   |  |
|                | AD4 | 38 | 80  | 200 | 10 | 41   |  |
|                | AD5 | 42 | 80  | 200 | 12 | 45   |  |
| F..97          | AD3 | 28 | 60  | 200 | 8  | 31   | F157/R97                                 |
|                | AD4 | 38 | 80  | 220 | 10 | 41   |  |
|                | AD5 | 42 | 80  | 220 | 12 | 45   |  |
|                | AD6 | 48 | 80  | 220 | 14 | 51.5 |  |
| F..107         | AD3 | 28 | 60  | 220 | 8  | 31   |  |
|                | AD4 | 38 | 80  | 240 | 10 | 41   |  |
|                | AD5 | 42 | 110 | 270 | 12 | 45   |  |
|                | AD6 | 48 | 110 | 270 | 14 | 51.5 |  |
| F..127         | AD4 | 38 | 80  | 267 | 10 | 41   |  |
|                | AD5 | 42 | 110 | 297 | 12 | 45   |  |
|                | AD6 | 48 | 110 | 297 | 14 | 51.5 |  |
| F..157         | AD7 | 55 | 110 | 297 | 16 | 59   |  |
|                | AD8 | 70 | 110 | 297 | 20 | 74.5 |  |
|                | AD5 | 42 | 110 | 297 | 12 | 45   |  |
|                | AD6 | 48 | 110 | 297 | 14 | 51.5 |  |
|                | AD7 | 55 | 110 | 297 | 16 | 59   |  |
|                | AD8 | 70 | 140 | 374 | 20 | 74.5 |  |



## 7. 连接法兰

## 7. Connection flange



|                |      | d6 | t6 | r6 | f6  | L6  | L62 | D6  | D62 | D63 |  |
|----------------|------|----|----|----|-----|-----|-----|-----|-----|-----|--|
| F..37<br>F..47 | P63  | 11 | 13 | 4  | 3.5 | 83  | 26  | 140 | 115 | 95  | F37/R17<br>F47/R17<br>F67/R37<br>F77/R37 |
|                | P71  | 14 | 16 | 5  | 3.5 | 83  | 33  | 160 | 130 | 110 |  |
|                | P80  | 19 | 22 | 6  | 4.5 | 103 | 43  | 200 | 165 | 130 |  |
|                | P90  | 24 | 27 | 8  | 4.5 | 103 | 53  | 200 | 165 | 130 |  |
| F..57<br>F..67 | P63  | 11 | 13 | 4  | 3.5 | 83  | 26  | 140 | 115 | 95  | F87/R57<br>F97/R67                       |
|                | P71  | 14 | 16 | 5  | 3.5 | 103 | 33  | 160 | 130 | 110 |  |
|                | P80  | 19 | 22 | 6  | 4.5 | 103 | 43  | 200 | 165 | 130 |  |
|                | P90  | 24 | 27 | 8  | 4.5 | 103 | 53  | 200 | 165 | 130 |  |
|                | P100 | 28 | 31 | 8  | 5   | 110 | 63  | 250 | 215 | 180 |  |
|                | P112 | 28 | 31 | 8  | 5   | 110 | 63  | 250 | 215 | 180 |  |
| F..77          | P63  | 11 | 13 | 4  | 3.5 | 103 | 26  | 140 | 115 | 95  | F107/R77<br>F127/R77                     |
|                | P71  | 14 | 16 | 5  | 3.5 | 103 | 33  | 160 | 130 | 110 |  |
|                | P80  | 19 | 22 | 6  | 4.5 | 110 | 43  | 200 | 165 | 130 |  |
|                | P90  | 24 | 27 | 8  | 4.5 | 110 | 53  | 200 | 165 | 130 |  |
|                | P100 | 28 | 31 | 8  | 5   | 110 | 63  | 250 | 215 | 180 |  |
|                | P112 | 28 | 31 | 8  | 5   | 11  | 63  | 250 | 215 | 180 |  |
| F..87          | P132 | 38 | 41 | 10 | 5   | 133 | 85  | 300 | 265 | 230 | F127/R87                                 |
|                | P80  | 19 | 22 | 6  | 4.5 | 110 | 43  | 200 | 165 | 130 |  |
|                | P90  | 24 | 27 | 8  | 4.5 | 110 | 53  | 200 | 165 | 130 |  |
|                | P100 | 28 | 31 | 8  | 5   | 133 | 63  | 250 | 215 | 180 |  |
|                | P112 | 28 | 31 | 8  | 5   | 133 | 63  | 250 | 215 | 180 |  |
|                | P132 | 38 | 41 | 10 | 5   | 133 | 85  | 300 | 265 | 230 |  |
| F..97          | P160 | 42 | 45 | 12 | 6   | 171 | 115 | 350 | 300 | 250 | F157/R97                                 |
|                | P100 | 28 | 31 | 8  | 5   | 133 | 63  | 250 | 215 | 180 |  |
|                | P112 | 28 | 31 | 8  | 5   | 133 | 63  | 250 | 215 | 180 |  |
|                | P132 | 38 | 41 | 10 | 5   | 171 | 85  | 300 | 265 | 230 |  |
|                | P160 | 42 | 45 | 12 | 6   | 171 | 115 | 350 | 300 | 250 |  |
| F..107         | P180 | 48 | 52 | 14 | 6   | 171 | 115 | 350 | 300 | 250 |  |
|                | P100 | 28 | 31 | 8  | 5   | 171 | 63  | 250 | 215 | 180 |  |
|                | P112 | 28 | 31 | 8  | 5   | 171 | 63  | 250 | 215 | 180 |  |
|                | P132 | 38 | 41 | 10 | 5   | 171 | 85  | 300 | 265 | 230 |  |
|                | P160 | 42 | 45 | 12 | 6   | 171 | 115 | 350 | 300 | 250 |  |
|                | P180 | 48 | 52 | 14 | 6   | 171 | 115 | 350 | 300 | 250 |  |
| F..127         | P200 | 55 | 59 | 16 | 7   | 171 | 115 | 400 | 350 | 300 |  |
|                | P225 | 60 | 64 | 18 | 7   | 215 | 145 | 450 | 400 | 350 |  |
|                | P100 | 28 | 31 | 8  | 5   | 150 | 63  | 250 | 215 | 180 |  |
|                | P112 | 28 | 31 | 8  | 5   | 150 | 63  | 250 | 215 | 180 |  |
|                | P132 | 38 | 41 | 10 | 5   | 150 | 85  | 300 | 265 | 230 |  |
|                | P160 | 42 | 45 | 12 | 6   | 215 | 115 | 350 | 300 | 250 |  |
| F..157         | P180 | 48 | 52 | 14 | 6   | 215 | 115 | 350 | 300 | 250 |  |
|                | P200 | 55 | 59 | 16 | 7   | 215 | 115 | 400 | 350 | 300 |  |
|                | P225 | 60 | 64 | 18 | 7   | 215 | 145 | 450 | 400 | 350 |  |
|                | P132 | 38 | 41 | 10 | 5   | 150 | 85  | 300 | 265 | 230 |  |
|                | P160 | 42 | 45 | 12 | 6   | 215 | 115 | 350 | 300 | 250 |  |